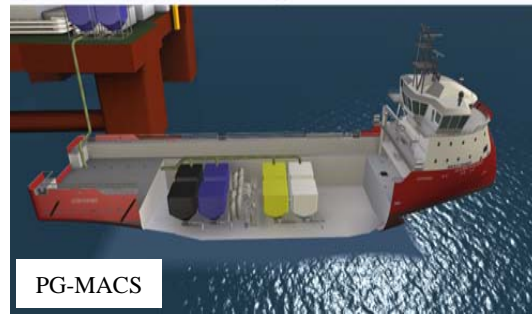
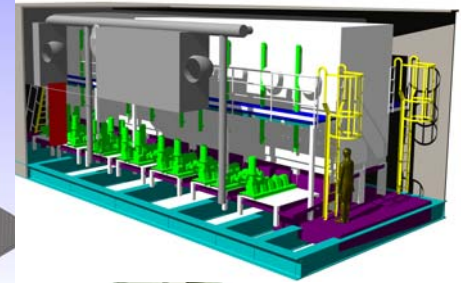
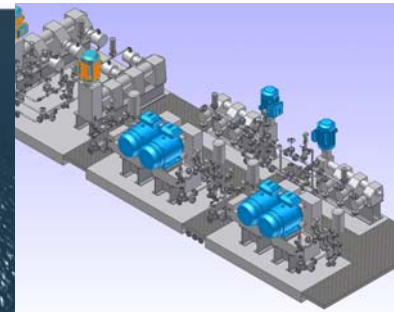




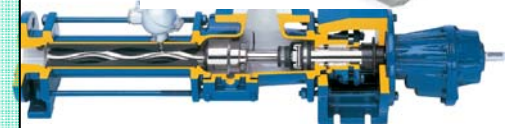
Marine Pumps



PG-MACS



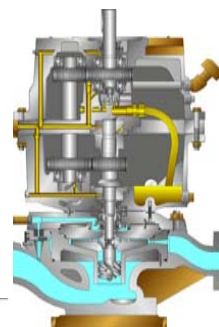
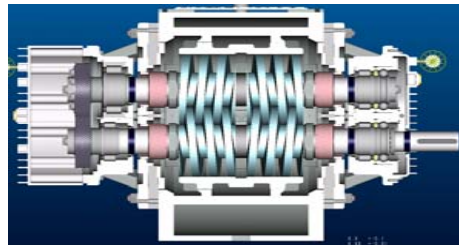
Oil&Gas Pump Systems





Pump Suppliers

Ing. Per Gjerdrum AS





Pumps

Ing. Per Gjerdrum AS

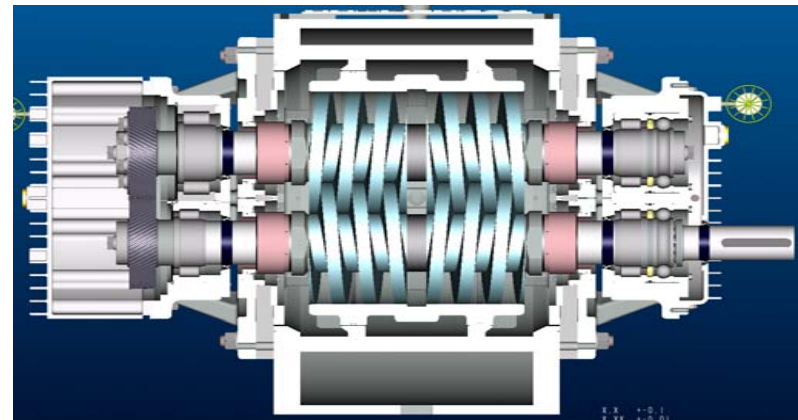
PG Main Suppliers & Partners

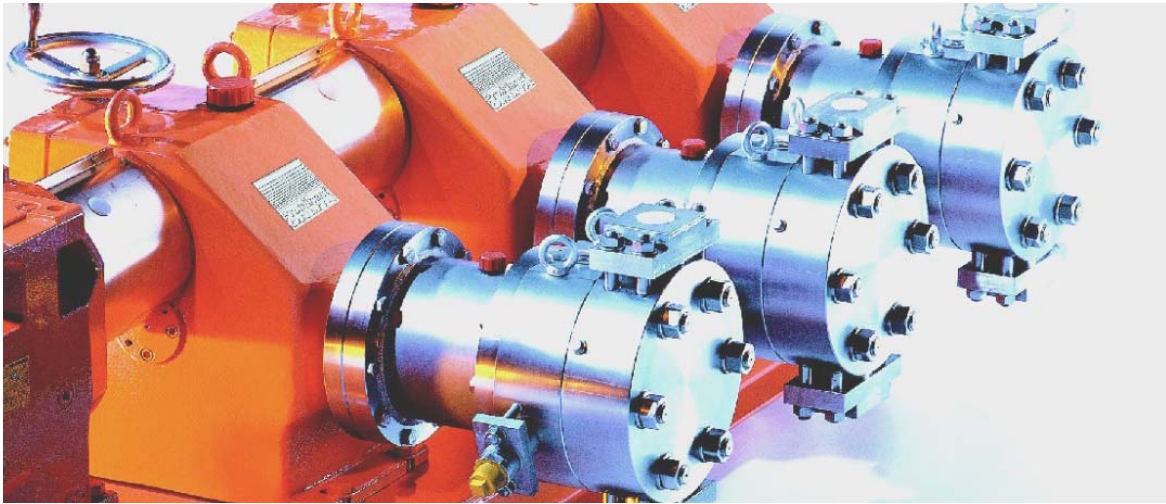
Main Pump Suppliers & Partners	Country of Origin	PumpTypes/ Equipment Description	Applicable Standards	PG-Supplier Since
BEHRENS	Germany, Bremen	Ship Pumps	Marine Standards	1982
BORNEMANN	Germany, Obernkirchen	Multiphase-Twin Screw Pumps	API 676	1985
DOMINATOR	Sweden/ USA	Diaphragm Pumps (air driven), Membrane		
HMD Sundyne	UK	Sealless, Magnetic Driven Centrifugal Pumps	API 685	1986
ITT FLYGT	Sweden	Electrical Mud Agitators		1999
KRAL	Austria, Lustenau	Three Spindel Screw Pumps	API 676/ DIN	1984
PROMINENT/ ORLITA	Germany, Giessen	Dosing Pumps, Membrane	API 674/ API 675	1991
PG	Germany	Agitators, Hydraulic Mud Agitators		
SHINKO IND. LTD	Japan, Hiroshima	Cargo & Ballast Pumps, Pump room systems for crude carriers		2000
SEPEX	Germany, Botrop	Eccentric Screw Pumps	API 676	1984
SONDEX	Denmark, Kolding	Plate, Heat Exchangers & Generators		
SPECK PUMPEN	Germany, Hilpolstein	Centrifugal Pumps (single & multistage)	Norm/EN/ ISO/ANSI	1982
SPECK ROTH	Germany, Roth	Centrifugal Pumps	Norm/EN/ ISO/ANSI	1982
SPECK TRIPLEX	Germany, Geretsried	Triplex Plunger pumps	Norm/EN/ ISO/ANSI	1982
SUNDYNE	France, Dijon, Arvada, Colorado, USA	High Speed Centrifugal Pumps & Compressors, Compact Design	API 610/ 614/ 616	1986
RUHRPUMPEN	Germany, Witten	Heavy Duty Centrifugal Pumps - Full Range	API 610	1999
VATEC MASCHINENBAU	Germany	Ejectors		
WEPUKO HYDRAULIC	Germany, Metzingen	Triplex Plunger Pumps (API 674)	API 674	1991
WOMA APPARATEBAU	Germany, Duisburg	High Pressure Water Jet technique		1990
PG CONSTRUCTION	Norway, Drammen	Mechanical Workshop and Manufacturing	NORSOK	2007
PG HYDRAULICS	Norway, Ålesund	Hydraulic Systems Eng. & Manufacturing	NORSOK	2007
Vacon	Norway, Holmestrand	Electric motors and VSD		2006
SIEMENS	Norway	Electric motors and VSD		2007
ABB	Norway	Electric motors and VSD		2008

Bornemann Pumps

World leading manufacturer of:

- Twin screw pumps (API 676)
- Multiphase Topside and Subsea twin screw pumps
- Self-priming, rotary positive displacement pumps
- Wide range of applications for most media and fluids
- Operates pulsation- and turbulence-free
- Pumped capacity is proportional to speed
- Constant flow on varying pressures
- Very good suction performance up to NPSH 1 - 1,5 m/3 (Selfpriming)
- Low noise level
- Dry running possible
- Compact construction
- Easy maintenance

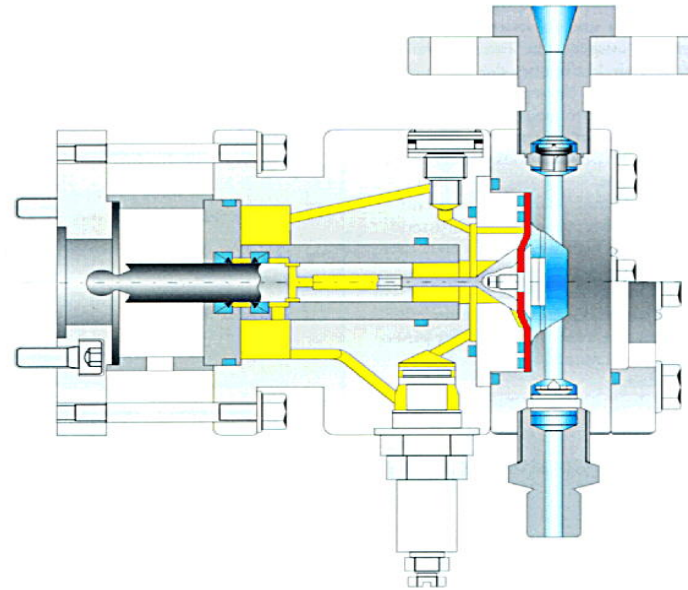




ProMinent®

ProMinent -Leading Manufacturer of Chemical Injection Pumps

- **High pressure diaphragm pumps**
- **DR – Pump for high viscosities**
- **Pressures up to 700 bar**
- **API 675 (API 674)**

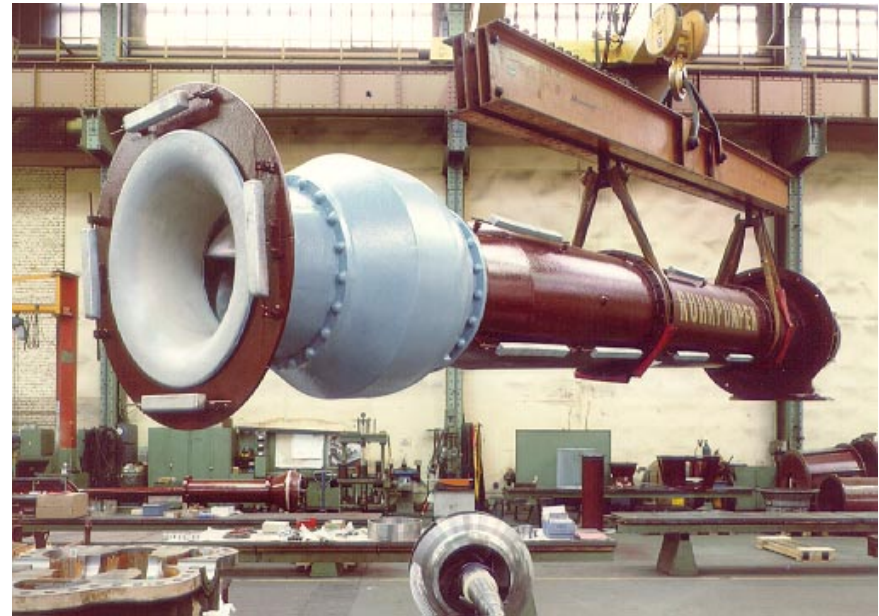




World leading manufacturer of process pumps:

- API 610 (Horizontal/Vertical)
- Non API (Horizontal/Vertical)
- Single, multistage, submerged etc.

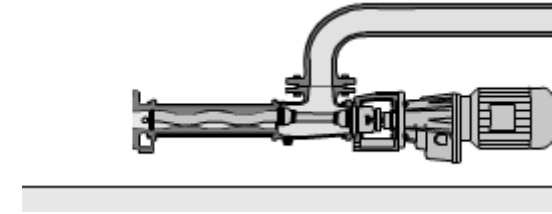
- Applications for pumping;
 - Hydrocarbons
 - Chemical solutions
 - Inorganic or organic acids
 - Produced Water
 - Propane
 - Caustic solutions
 - Condensate
 - Sea Water, Fresh Water etc.



Vertical, single stage mixed flow pump, type TR for pumping cooling water /sea water lift for petrochemical plants

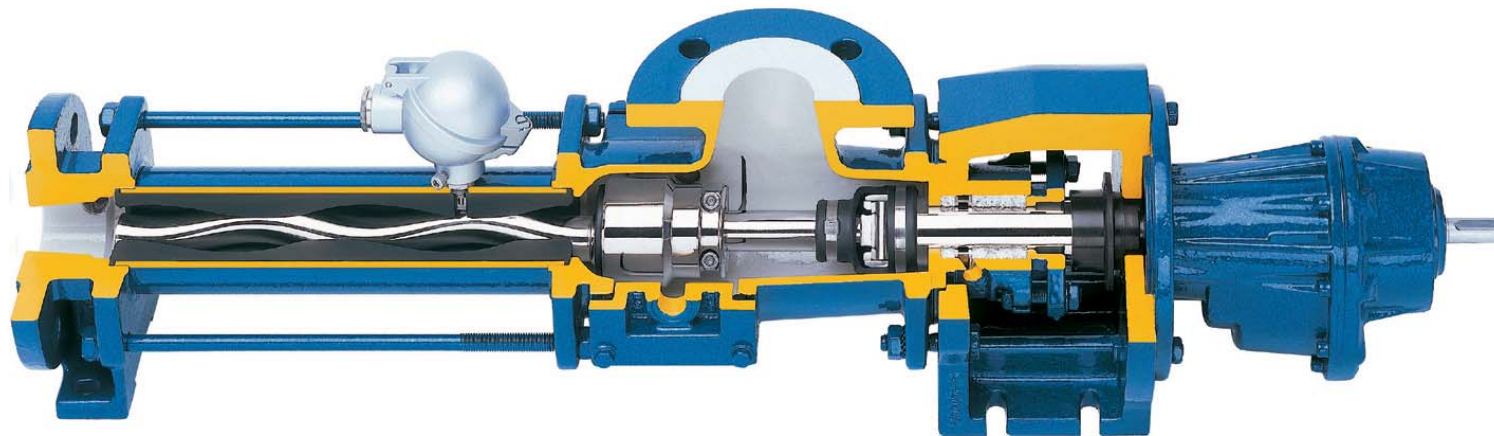


Crude Oil Booster Pumps, API 610 Centrifugal, vertical inline



Progressive Cavity Pumps

- Worldwide leading manufacturer of progressive cavity pumps (PCP), API 676
- Production facilities in Germany, USA and China
- Multiphase Pumps, also for Mud and Drill cuttings
- Handle any kind of liquids
- Selfpriming
- Reversible
- Versatile use in all industries

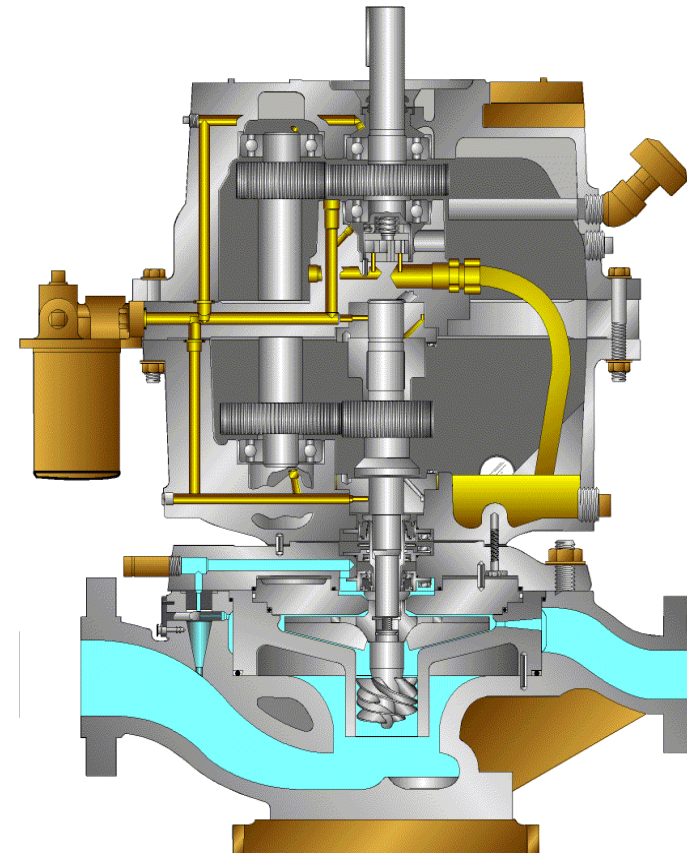


World leading manufacturer of process pumps:

- Direct drive, API 610 (Horizontal/Vertical in-line)
- High speed drive, API 610 (Horizontal/Vertical in-line)
- High speed DIN/ISO pumps

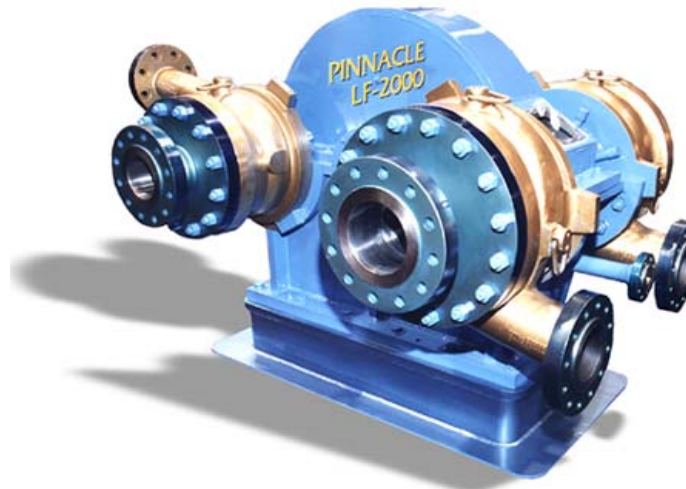
Advantages:

- Heavy duty wet-end
- Compact, lightweight
- Low capacity – very high head
- Suitable for low NPSHa applications
- Modular concept, easy maintenance



World leading manufacturer of process gas compressors:

- LMC Single stage integrally geared vertical in-line
- Pinnacles: Horizontal multistage integrally geared API614/617
- Vapour Recovery
- Regeneration
- Recycle
- Fuel Gas, Nitrogen, CO₂, Ammonia, Chloride etc



- **Magnetic driven pumps (API 610/685)**
 - Almost no unplanned maintenance for low cost operation
 - Uses standard electric motors to reduce initial / replacement costs
 - No leakage possible - Environmentally safe
 - High pressures and hot oil capabilities without 'backup' systems for versatility
 - All specifications available ISO 2858, DIN, EN22858: 1993, ANSI B73.1M, B73.3M and API 610 / 685
 - Non - metallic versions are available to suit your application.
 - Can be serviced on site to reduce cost and downtime
 - No cooling required



SPECK - PUMPEN

Daniel Speck & Söhne GmbH & Co. KG
Lohbachstr. 6 - D-91161 Hilpoltstein



- All type of Centrifugal pumps for process – and utility applications
- Standard DIN/ANSI/Norm pumps
- Vertical
- Horizontal
- Inline version
- Canned version
- Multistage
- Submerged



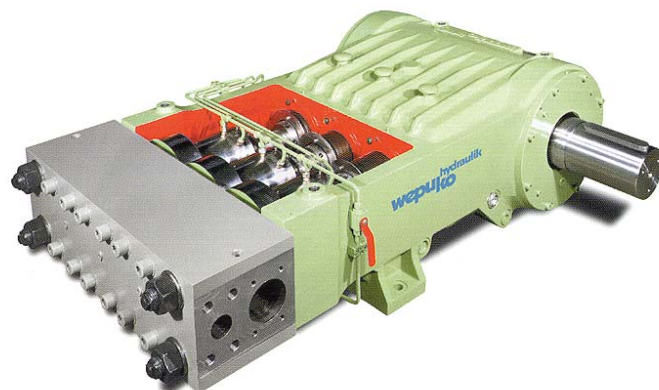
- **Triplex Piston Pumps API 674**

- DP-400 Series
- DP-212 Series'

High capacity – high pressures

- **Process injection for**

- Produced Water
- Chemicals
- MEG / Methanol
- Diesel etc.



Methanol injection Snorre B platform





Three Spindle Screw Pumps - API 676

- Three Spindle Screw Pumps - API 676.
 - KRAL pumps are tailor-made solutions for pumping fuels, oils, and other non aggressive liquids.
 - Screw pumps offers a high flow rate while occupying minimal space compared to other types of pumps
- Your advantages:
 - Leak-free - no collection of residues.
 - No wear-and-tear - no maintenance, no wearing out.
 - Hermetically sealed - prevents contact of heavy fuel oil with oxygen.
 - Temperature resistant up to 250 °C.
 - High liquid capacities for all engine sizes.



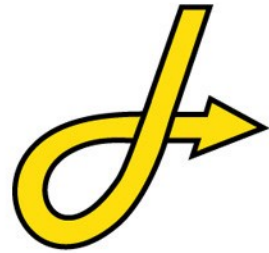


- **World of Plate Heat Exchangers and Freshwater Distillers**

- Gasketed Plate
- Brazed Plates
- Semi Welded Plates
- Free Flow Plates
- Sonder Safe Plates
- Plate and Shell Heat Exchanger
- Materials: SS316, Hastelloy, Titanium

<http://www.sondex.dk/>





DOMINATOR PUMP AB

Lead supplier of air operated diaphragm pumps

E2A



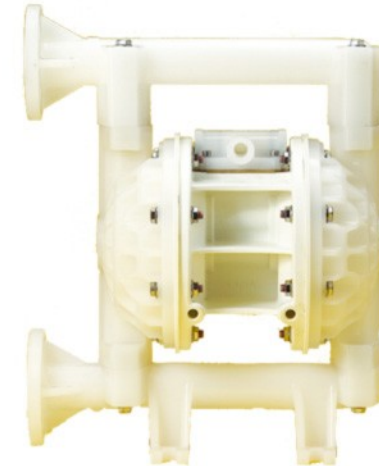
P10A



E3



E1P



Dominator Pump AB | Grossistgatan 3, SE-553 02 Jönköping, Sweden
Phone 0046 (0)36-18 11 60 | Fax 0046 (0)36-18 11 69
info@dominatorpump.com | www.dominatorpump.com

www.pergjerdrum.no



Construction AS

- **Manufacturer of marine and offshore constructions and products**
 - Manufacturing of Pump packages/ pumping systems
- **Design and engineered in close cooperation with our Clients**
- **Fabrication Facility**
 - Total Manufacturing 2100m² + offices
 - Crane capacity: 3 Ton and 12 ton(Height 5,5m)
 - New Facility for Assembly - mounting – testing Total 1800m²
 - Crane capacity 50 ton (Height 8m)
 - Inconel cladding of flanges and hubs for Offshore/ Subsea
 - 1 x 1.2 x 2,6 meter rotary fizzle-drill machine
 - 1250 mm milling capacity
 - Co-operation with Teknisk Produksjon AS (CNC machinery)
 - Welding – WPQR in Mild steel-stainless steel-copper-Duplex
- **28 employees**
- www.pg-construction.com

**Fab.facility in Lier, Drammen
30 min west of Oslo**





Hydraulics AS

- Product range
 - Complete hydraulic systems engineering
 - Building of Hydraulic Power Packs
 - Distribution of hydraulic components and solutions
 - Production of hydraulic hoses in acc. with Customer specifications
 - Commissioning and Service
- New Facilities, 2008
 - Eggesbønes, Fosnavåg
 - Total 1400 m²
 - Workshop 1000 m²
 - Offices 400 m²
- Crane capacity
 - 2 cranes of 2 x 10 t (40 tons total)
 - Lifting height 7 m
- PG-Hydraulics AS
 - Owned by PG and Ulstein Marine Technology as
 - 12 employees
- www.pg-hydraulics.com

