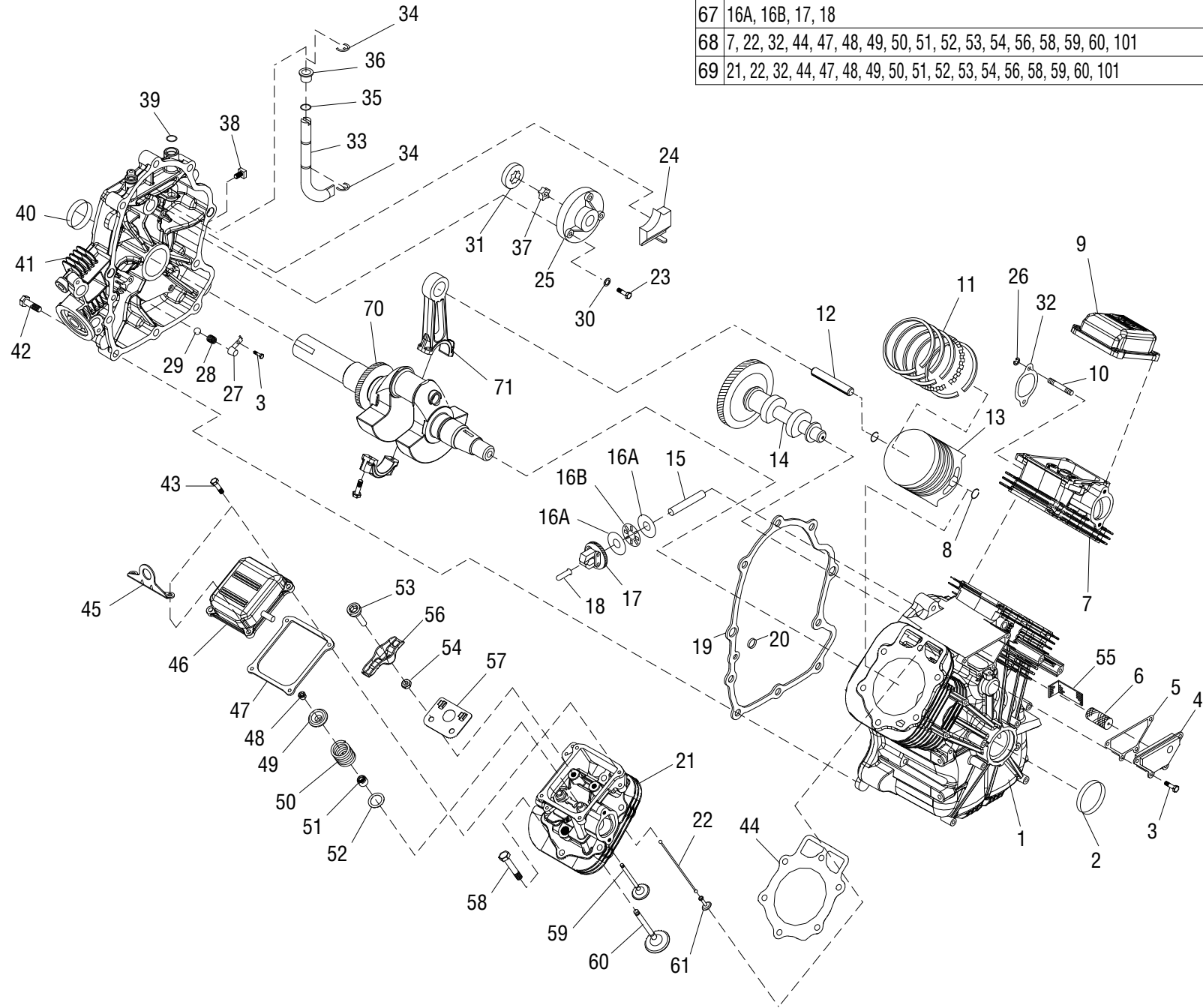


OE4328

62	27, 28, 29
63	3, 33, 34, 35, 36, 40, 62
64	2, 5, 19, 20, 32, 39, 40, 44, 47, 101, 148, 165, 167
65	8, 11, 12, 13
66	4, 5, 6, 55
67	16A, 16B, 17, 18
68	7, 22, 32, 44, 47, 48, 49, 50, 51, 52, 53, 54, 56, 58, 59, 60, 101
69	21, 22, 32, 44, 47, 48, 49, 50, 51, 52, 53, 54, 56, 58, 59, 60, 101



ITEM	PART #	QTY.	DESCRIPTION
------	--------	------	-------------

DO NOT SCALE

GROUP

GENERAC POWER SYSTEMS OWNS THE COPYRIGHT OF THIS DRAWING WHICH IS SUPPLIED IN CONFIDENCE AND MUST NOT BE USED FOR ANY PURPOSE OTHER THAN FOR WHICH IT IS SUPPLIED WITHOUT THE EXPRESS WRITTEN CONSENT OF GENERAC POWER SYSTEMS.

© GENERAC POWER SYSTEMS 2000

EST. WT.

FINAL WT.

DO NOT SCALE

ALL DIMENSIONS AND TOLERANCING PER ASME Y14.5M-1994

UNLESS OTHERWISE SPECIFIED:

ALL XX DIM. --- ±4 MM  
 ALL XX.X DIM.-- ±4 MM  
 ALL XX.XX DIM.- ±15 MM  
 ALL ANGLES ---- ±1°

EXPLODED VIEW

GTV-990/760 ENGINE

MATERIAL

DWN	TMS	DATE	3/27/03	MFG	DATE
CHKD	DMC	DATE	3/31/03	APPD	FDM
RELEASED FOR PRODUCTION	BY	T. BOOTH	DATE	4/1/03	4/1/3

GENERAC POWER SYSTEMS  
 Waukesha  
 P.O. BOX 8  
 WAUKESHA, WIS. 53187

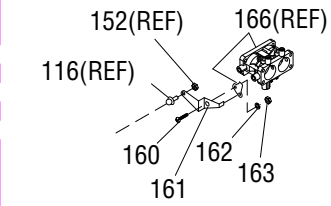
FILE NAME: OE4328PAGE-1.DWG SIZE: B

SCALE: NTS FIRST USE

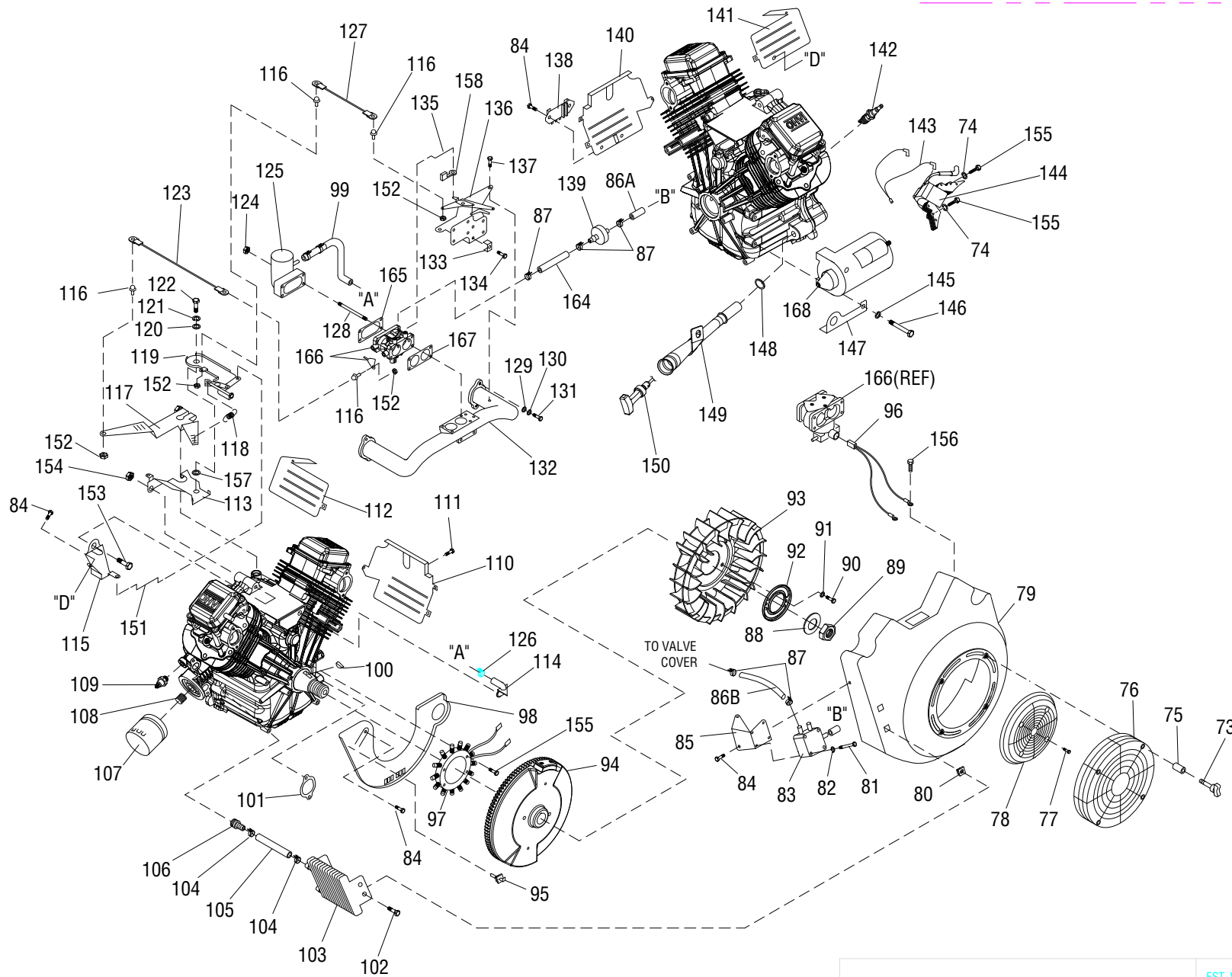
DWG NO.: OE4328 REV: \*

1	0C5730B	1	ASSY,CRANKCASE VS W/SLEEVE	61	083897	4	TAPPET, SOLID
2	0C3008	1	SEAL, 38 I.D. CRANKSHAFT	62	0D4015	1	KIT, OIL RELIEF
3	090388	6	SCREW, TAPTITE M6-1.0 X 12 YC	63	0D9419	1	KIT, SUMP
4	0C5372	1	ASSEMBLY, BREATHER	64	0D9422	1	KIT, GASKET
5	0C3005	1	GASKET, BREATHER COVER	65	0E4354	1	KIT, PISTON & RINGS GT760/GT990
6	0E3372A	1	SEPARATOR, OIL BREATHER GTV	66	0E4355	1	KIT, BREATHER ASSY GT760/GT990
7	0D8067A	1	ASSEMBLY, HEAD #1	67	0D4013	1	KIT, GOVERNOR ASSEMBLY
8	071983	4	RETAINER, PISTON PIN 20	68	0D8675A	1	KIT, HEAD ASSEMBLY CYLINDER 1
9	0C2981C	1	ROCKER, COVER NO OIL FILL	69	0D8675B	1	KIT, HEAD ASSEMBLY CYLINDER 2
10	045761A	4	STUD M8-1.25/10MM X 30 G5 ZINC				
11	021533	2	SET, PISTON RING 90MM				
14	0D4041	1	ASSEMBLY, CAMSHAFT & GEAR				
15	0C2983	1	SHAFT, GOVERNOR				
16A	0C2985A	2	ROLLER BEARING, GOVERNOR PLATE				<u>MODEL #04861-0</u>
16B	0C2985B	1	ROLLER BEARING, GOVERNOR				
17	0E2743	1	ASSEMBLY,GOVERNOR GEAR	12	0E1466	2	PIN PISTON 20 DIA X 48 LONG
18	0A7811	1	SPOOL, GOVERNOR MACHINED	13	0E2950	2	PISTON, 8.5:1 90MM DIA (LOW COMP.)
19	0C2977	1	GASKET, CRANK CASE	70	0E4357B	1	ASSY,C'SHFT&GEAR L&G
20	0C5943	1	SEAL, OIL PASSAGE	71	0E3223	2	CONROD
21	0D8067B	1	ASSEMBLY, HEAD #2				
22	0D9853D	4	PUSHROD, 147				<u>MODEL #04862-0</u>
23	021374	3	SCREW SHC M6-1.0 X 30 G8.8				
24	0C2994	1	SCREEN, OIL PICKUP				
25	0C2997	1	COVER, GEROTOR	12	0E1466	2	PIN PISTON 20 DIA X 48 LONG
26	052858	2	NUT LOCK FL M8-1.25	13	0E2985	2	PISTON, 9.5:1 90MM DIA (HIGH COMP.)
27	0C3011	4	COVER, OIL RELIEF	70	0E4356F	1	ASSY,C'SHFT&GEAR L&G
28	0C3009	2	SPRING, OIL RELIEF	71	0E3222	2	CONROD
29	0C3010	2	BALL, 1/2D OIL RELIEF				
30	093873	3	WASHER, LOCK RIB M6				<u>MODEL #04717-1</u>
31	0C2996	1	GEROTOR, OUTER				
32	0C4138	2	GASKET, EXHAUST				
33	0D1667	1	ARM, GOVERNOR	12	071980	2	PIN PISTON 20 DIA
34	0C2991	2	E-RING, GOVERNOR ARM	13	0C5848	2	PISTON, 9.5:1 90MM DIA (HIGH COMP.)
35	0C2988	1	THRUST WASHER, GOVERNOR	70	0D4122F	1	ASSY,C'SHFT&GEAR L&G
36	0C2992	1	BUSHING, GOVERNOR LOWER	71	0D3961	2	CONROD
37	0C2995	1	GEROTOR, INNER				
38	0D4788	1	PLUG, DRAIN				<u>MODEL #04629-2</u>
39	0C2993	1	SEAL, GOVERNOR SHAFT				
40	0C3007	1	SEAL, 42 I.D. CRANKSHAFT				
41	0C5732	1	ASSEMBLY, SUMP WITH SLEEVE	12	071980	2	PIN PISTON 20 DIA
42	0C3006	9	SCREW, HHFC M10-1.5 X 55	13	0C2967	2	PISTON, 8.5:1 90MM DIA (LOW COMP.)
43	080318	8	SCREW HHFC M6-1.0 X 25	70	0D4040B	1	ASSY,C'SHFT&GEAR L&G
44	0C2978	2	GASKET, HEAD	71	0C2969	2	CONROD
45	0C8808	1	HOOK, LIFTING				
46	0D7477A	1	ASSEMBLY, ROCKER COVER W/ BARB FOR FULSE				
47	0C2979	2	GASKET, VALVE COVER				
48	086515	8	KEEPER, VALVE SPRING				
49	0D2274	4	RETAINER, VALVE SPRING				
50	0D3867	4	SPRING, VALVE				
51	078672	2	SEAL, VALVE STEM D7				
52	0C5371	4	WASHER, VALVE SPRING				
53	072694	4	STUD, ROCKER ARM PIVOT				
54	0D3998	4	NUT, HEX M8-1.0 G8 YEL CHR				
55	0E3273	1	SCREEN C'CASE BREATHER GTV				
56	0D5313	4	ROCKER ARM				
57	0D6024	2	PLATE, PUSH ROD GUIDE				
58	0C2976	12	SCREW HHFC M8-1.25 X 65				
59	086516	2	VALVE, EXHAUST				
60	0C2229	2	VALVE, INTAKE				

OE4328



MODELS #04861-0 & #04629-2



ITEM	PART #	QTY.	DESCRIPTION
------	--------	------	-------------

DO NOT SCALE

GROUP

GENERAC POWER SYSTEMS OWNS THE COPYRIGHT OF THIS DRAWING WHICH IS SUPPLIED IN CONFIDENCE AND MUST NOT BE USED FOR ANY PURPOSE OTHER THAN FOR WHICH IT IS SUPPLIED WITHOUT THE EXPRESS WRITTEN CONSENT OF GENERAC POWER SYSTEMS.

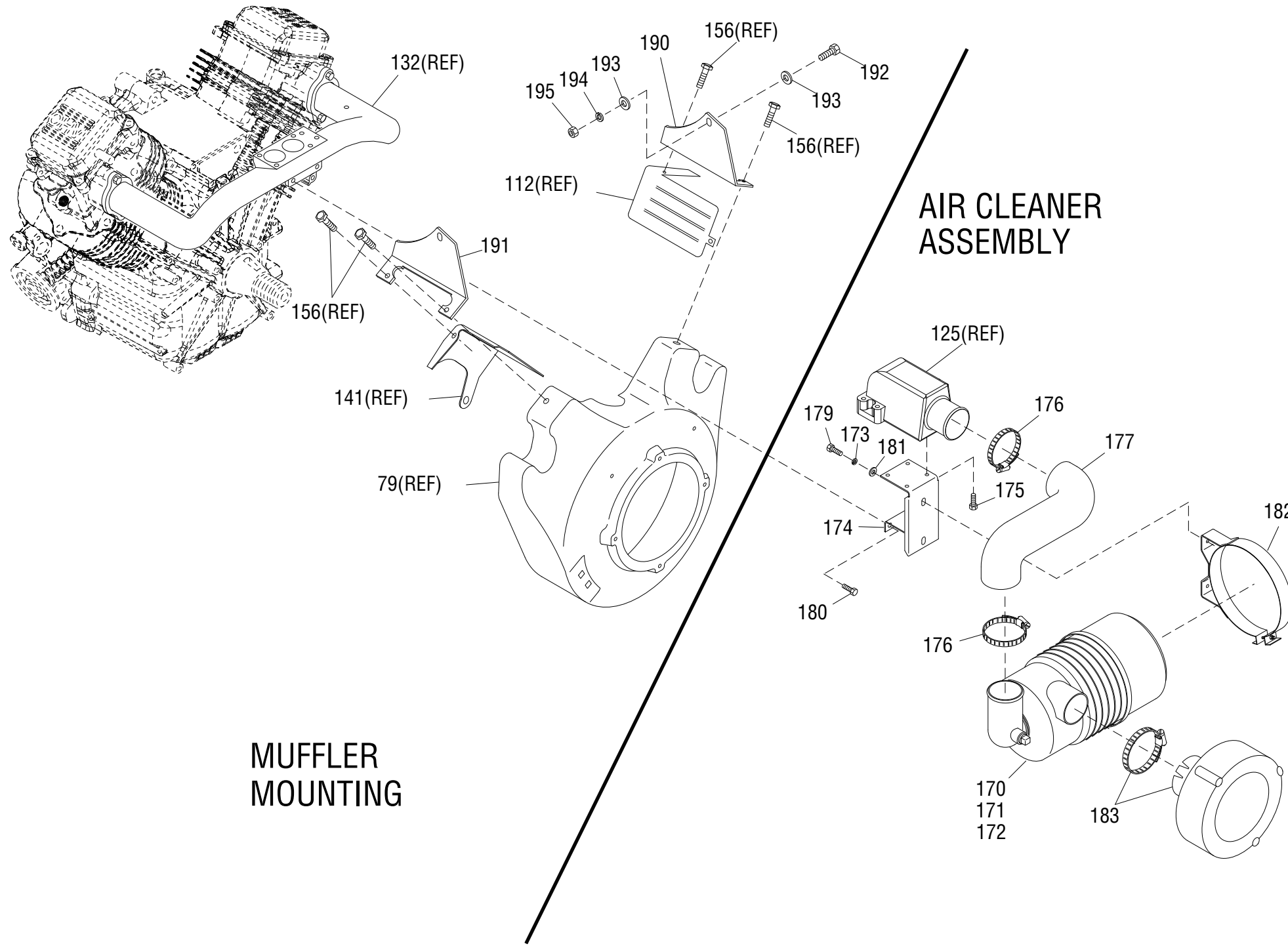
© GENERAC POWER SYSTEMS 2000

EST. WT.		EXPLODED VIEW		<p><b>GTV-990/760 ENGINE</b></p> <p><b>GENERAC POWER SYSTEMS</b> Waukesha P.O. BOX 8 WAUKESHA, WIS. 53187</p>	
FINAL WT.		MATERIAL			
DO NOT SCALE		DWN		FILE NAME	
ALL DIMENSIONS AND TOLERANCING PER ASME Y14.5M-1994		TMS		OE4328PAGE-2.DWG	
UNLESS OTHERWISE SPECIFIED:		DATE		SCALE	
ALL XX DIM. --- ±4 MM		3/27/03		NTS	
ALL XX.X DIM.-- ±4 MM		MFG		FIRST USE	
ALL XX.XX DIM.- ±15 MM		DATE		DWG NO.	
ALL ANGLES ---- ±1°		3/31/03		OE4328	
		APPD		REV	
		FDM		★	
		DATE			
		4/01/03			
		RELEASED FOR PRODUCTION			
		BY			
		T. BOOTH			
		DATE			
		4/1/3			

73	0C5136	4	KNOB AIR CLEANER	130	070006	4	WASHER, LOCK M8
74	022097	4	WASHER, LOCK M6-1/4"	131	049821	4	SCREW, SHC M8-1.25 X 30
75	0E3146	4	SPACER, ROTATING SCREEN GUARD	132	0E3052	1	MANIFOLD,INTAKE VERT 2BBL CARB
76	0D7815A	1	GUARD, ROTATING SCREEN	133	0E4190	4	CLAMP, 3/16" COATED CABLE
77	0D7115	4	SCREW, #10 SHEET METAL	134	091526	4	SCREW, PPHM M5-0.8 X 12
78	0D9684A	1	SCREEN, ROTATING	135	0D8559	1	ROD, CHOKE
79	0E4046E	1	HOUSING, BLOWER VERTICAL L&G	136	0D7237	1	ASSY, BELDEN BRACKET W/ BELLCRANK
80	0C9763	4	NUT, GROMMET 1/4 PLUG	137	0E5139	3	SCREW HHFC M6-1.0 X 8mm
81	0D6142	2	SCREW PPHM M4-0.7 X 40	138	0A2702	1	REGULATOR, 20 AMP
82	022264	2	WASHER, LOCK M4	139	0D6313	1	FILTER, FUEL
83	0C4147	1	PUMP, IMPULSE	140	0D1142B	1	WRAPPER, LOWER CYLINDER 2
84	045756	23	SCREW TAPTITE M6-1.0X 10 YELLOW CHROME	141	0D1143	1	WRAPPER, UPPER CYLINDER 2
85	0D6027	1	BRACKET, FUEL PUMP	142	072347	2	SPARKPLUG
86A	030340G	1	HOSE 1/4" ID X 2" LONG	143	0C3053	1	ASSEMBLY, GROUND WIRE
86B	030340P	1	HOSE 1/4" ID X 7" LONG	144	0C3052	2	ASSEMBLY, IGNITION COIL
87	048031C	6	CLAMP HOSE BAND 1/4	145	022129	2	WASHER, LOCK M8-5/16
88	0C3033	1	WASHER, M24	146	061906	2	SCREW, HHC M8-1.25 X 85 G8.8
89	0C3034	1	NUT, HEX M24	147	0D6026	1	LIFT HOOK, STARTER
90	048571	2	SCREW HHC M8-1.25 X 10 G8.8	148	090072	1	O-RING, OIL CLR
91	0A5992	2	WASHER SHAKEPROOF INT M8 SS	149	0D6655	1	TUBE, DIPSTICK
92	0C3032	1	PLATE, FAN	150	0C8434C	1	ASSEMBLY, DIPSTICK W/ HANDLE
93	0C3031	1	FAN, NYLON	151	0D9863	1	ROD, IDLE ADJUSTMENT
94	0C9182	1	FLYWHEEL ASSEMBLY W/ L.C. MAGNETS	152	0D9784	4	NUT, LOCK HEX M3-0.5
95	085011	1	INSULATOR ASSEMBLY IGNITION	153	0E0486	1	SCREW, SHC M10-1.5 X 75 G10.9
96	0E1325	1	WIRE HARNESS, FUEL SHUTOFF	154	0E5343	1	NUT, LOCK FL-SERRATED M10-1.5
97	0A1336E	1	ASSEMBLY, STATOR W/ LUGS	155	092079	8	SCREW, TAPTITE M6-1.0 X 25
98	0C3016A	1	PLATE, BACKING GT990 WITH OIL COOL	156	0E1552	4	SCREW, FHHC M6-1.0 X 12 W/M5 HEX
99	0E4845	1	ASSY,BREATHER TUBE GTV	157	0E5113	1	WASHER NYLON 0.375" I.D.
100	082774	1	KEY, WOODRUFF 4 X 19D	158	0D1366	1	BUSHING, GOVERNOR ROD
101	0C3043	2	GASKET, MANIFOLD / PORT				
102	0C9764	4	PLASTITE,1/4-15 X 3/4				
103	0C3026	1	COOLER, OIL				<u>MODELS #04861-0 &amp; 04629-2</u>
104	0C7649	4	CLAMP HOSE .38 - .87				
105	0C9806	2	HOSE, 3/8" I.D. X 6" LONG	160	036933	1	SCREW, PPHM #10-32 X 3/8"
106	035461A	2	BARBED STR 1/4NPT X 3/8 WITH VIBRA SEAL	161	0D6311	1	BRACKET, THROTTLE
107	070185	1	FILTER, OIL D 69 X 64 LONG	162	022152	1	WASHER, LOCK #10
108	0C7292	1	NIPPLE, 3/4"-16 UNF	163	022158	1	NUT, HEX #10-32
109	0C3025	1	SWITCH, OIL PRESS	164	030340L	1	HOSE 1/4" ID X 11" LONG
110	0C3019	1	WRAPPER, LOWER CYLINDER 1	165	0D4026	1	GASKET,ARBX TO SPCR/CARB
111	0E5153	2	SCREW THTT #10-24 X 3/8"	166	0E3291	1	CARBURETOR DENI
112	0C3018	1	WRAPPER, UPPER CYLINDER 1	167	0D4023	1	GASKET,MANIFOLD TO CARB
113	0D3868	1	BRACKET, SUPPORT-GOVERNOR ADJUST	168	0E4271	1	STARTER, DELCO REMY SD80
114	0E4804	1	HOSE, BLOWER HSG TO BREATHER				
115	0E0553	1	ASSY, IDLE SPEED SUPPORT BRACKET				
116	0D6342	4	STUD, BALL M3-0.5				<u>MODELS #04862-0 &amp; #04717-1</u>
117	0E0552	1	ASSY, GOVERNOR LEVER				
118	0E1150	1	SPRING, GOVERNOR	164	030340N	1	HOSE 1/4" ID X 8.5" LONG
119	0D9884	1	ASSY, IDLE SPEED ADJUST W/ GROMMET	165	0D4024	1	GASKET, CARB TO SPACER
120	0D3876	1	WASHER, FLAT M5	166	0E1357	1	CARBURETOR
121	049226	1	WASHER, LOCK M5	167	0D5282	1	GASKET, MANIFOLD TO CARB
122	045770	1	SCREW, HHC M5-0.8 X 10	168	0C3017	1	STARTER, V-TWIN ENGINE
123	0D6257	1	ROD, GOVERNOR				
124	052857	4	NUT LOCK FLANGE M6-1.0				
125	0D3959A	1	ADAPTOR,CARB-AIRBOX,M6 BOSSES				
126	048031N	1	HOSE CLAMP, BAND 12mm I.D.				
127	0D9999	1	ASSEMBLY, IDLE SPEED ADJUSTMENT ROD				
128	0D6021	4	STUD, METRIC				
129	070008	4	WASHER, FLAT M8				

OE4328

ITEM	PART #	QTY.	DESCRIPTION
------	--------	------	-------------



MUFFLER MOUNTING

AIR CLEANER ASSEMBLY

PAGE 3 OF 3

DO NOT SCALE

GROUP

GENERAC POWER SYSTEMS OWNS THE COPYRIGHT OF THIS DRAWING WHICH IS SUPPLIED IN CONFIDENCE AND MUST NOT BE USED FOR ANY PURPOSE OTHER THAN FOR WHICH IT IS SUPPLIED WITHOUT THE EXPRESS WRITTEN CONSENT OF GENERAC POWER SYSTEMS.

© GENERAC POWER SYSTEMS 2000

EST. WT.

FINAL WT.

DO NOT SCALE

ALL DIMENSIONS AND TOLERANCING PER ASME Y14.5M-1994

UNLESS OTHERWISE SPECIFIED:

ALL XX DIM. --- ±4 MM  
 ALL XX.X DIM. -- ±4 MM  
 ALL XX.XX DIM. - ±15 MM  
 ALL ANGLES ---- ±1°

EXPLODED VIEW

GTV-990/760 ENGINE

MATERIAL

DWN	TMS	DATE	3/27/03	MFG	DATE
CHKD	DMC	DATE	3/31/03	APPD	FDM
RELEASED FOR PRODUCTION	BY	T. BOOTH	DATE	4/1/03	

GENERAC POWER SYSTEMS  
 Waukesha  
 P.O. BOX 8  
 WAUKESHA, WIS. 53187

FILE NAME	OE4328PAGE-3.DWG	SIZE	B
SCALE	NTS	FIRST USE	
DWG NO.	OE4328	REV	*

AIR CLEANER ASSEMBLY

170	0E3655	1	CLEANER,AIR DONALDSON W/SFTY FLT
171	0E3557	1	FILTER, AIR PRIMARY DONALDSON
172	0E3656	1	FILTER, AIR SAFETY DONALDSON
173	022129	2	WASHER LOCK M8-5/16
174	0E2990	1	BRKT, AIR CLEANER SUPPORT GTV
175	0E1644	4	SCREW BHSC M6-1.0 X 12 SS
176	0E1680	2	CLAMP HOSE #32 1.563-2.500
177	0E4326	1	HOSE AIR CLEANER GTV
179	042907	2	SCREW HHC M8-1.25 X 16 G8.8
180	0D6147	2	SCREW HHFC M6-1.0 X 10 G8.8
181	022145	2	WASHER FLAT 5/16-M8 ZINC
182	0E1091	1	ASSY, BAND MOUNT AIR CLEANER
183	0E4714	1	PRECLEANER, AIR INTAKE GTV

MUFFLER MOUNTING

190	0E3502A	1	SUPPORT, MUFFLER RH
191	0E3502B	1	SUPPORT, MUFFLER LH
192	043107	2	SCREW HHC M8-1.25 X 25 G8.8
193	022145	4	WASHER FLAT 5/16-M8 ZINC
194	022129	2	WASHER LOCK M8-5/16
195	045771	2	NUT HEX M8-1.25 G8 YEL CHR