

HANDLES

Narrow band wet mops

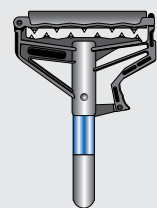
Ez-change™ and Quickway™ handles partner with narrow band wet mops. Both options offer a **no-touch** method of removing a soiled wet mop.



HANDLES

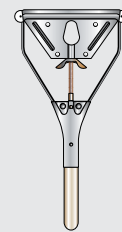
Wide band wet mops

For wide band wet mops, the Jaws™ connector is the recognized industry standard.



EZ-CHANGE™

The no-touch connector is made from high-impact polymers. It is considered our premium connector for narrow band wet mops. Handle options include fibreglass, aluminum, and wood.



QUICKWAY™

This is the tried and tested, classic wing nut all-metal connector for narrow band mops. The threaded wing nut is less prone to stripping while still offering a quick way to replace the mop.

JAWS™

Specially formulated, high-quality nylon connector opens wide to make changing wide band wet mops simple. Collar secures with threads and provides firm pressure to hold all wide band headbands.

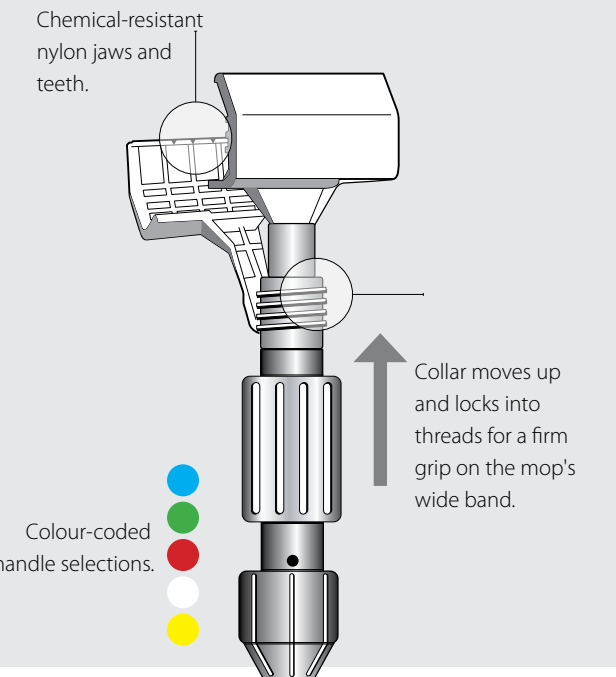
handle	colour	54 in.	60 in.	pack
fibreglass	blue	16574	16575	10
	green	16674	16675	
	red	16474	16475	
	white	16774	16775	
	yellow	1674	1675	
aluminum	-	-	1680	
wood	-	1685	-	

handle	colour	54 in.	pack
ECM†	black	4754	10
wood	natural	4854	

† epoxy-coated metal

Tip: Choose a handle that is just under the user's chin.

handle	colour	54 in.	60 in.	pack
fibreglass	blue	-	84501	10
	green	-	84601	
	red	-	84401	
	white	-	84701	
	yellow	-	8801	
aluminum	-	1654	1660	
wood	-	1554	1560	
replacement head only			1650	



SPONGE MOPS

These thirsty sponge mops are versatile

These sponge mops can be used on all kinds of surfaces, from floors to walls.

SPONGE & ROLLER MOP

The sponge mop includes a green scrubbing strip and thicker cellulose sponge for improved durability. The heavy-duty roller mop comes with a 12-inch wide cellulose sponge, zinc-plated steel frame and a 48-inch aluminum handle.

item	sponge mop	pack
70	complete	10
174	mop refill	12

item	roller mop	pack
73	roller complete	6
173	refill roller - 12 in.	



FLOOR SIGNS

Floor signs alert the public to the dangers of slippery, wet floors or other hazards that pose a safety risk. The 24-inch tall signs fold for convenient storage and are printed on both sides in English, French and Spanish.

item	description	pack
86097	wet floor - trilingual	10
86098	caution - trilingual	



NEUTRALIZER

Use pre-measured packet of neutralizer, 23 litres of water and one mop to neutralize the surface after floor stripping. The floor will start with a proper pH of 7-8 for optimum finish performance. This product also neutralizes urine in washrooms to prevent odours and permanent damage to the floor.

item	description	pack
1060	72 packets, 1 oz.	1



TIP: Remember to neutralize the floor before finishing.

PADLOK™ PAD HOLDERS

Scrub away dirt and grime

These pads pack a lot of scrubbing action. They can be used on floors or walls to clean hard surfaces.

Tools and replacement pads.



PADLOK™ PAD HOLDERS

The three-inch by nine-inch Padlok tool holders offer a multitude of possible uses. Choose from the handheld version or our swivel tool with universal locking collar then pair it with the 10-inch utility pad of your choice and scrub away dirt and grime.

item	description	pack
165	hand held	2
166	swivel type	10
167†	swivel - w/pads	1

†Nº167 c/w 1-white, 1-blue, 1-brown pad

UTILITY CLEANING PADS

These 10-inch by 4-inch pads fit the Padlok pad holders above. Choose from five levels of abrasiveness to suit the task at hand.

item	description	pack
690	white – soft	
691	blue – medium	
692	brown – med/stiff	20
693	black – aggressive	
694	black – extra aggressive	
696†	green - scour scrubby	40

† Nº696 is a handheld scrubber and doesn't fit Padlok.

TRAXOFF™

Traxoff's unique pads are aggressive enough to remove black heel marks from floors, but they won't damage floor finishes. This versatile scrubber can also be used to clean metal window frames and many other surfaces. The Traxoff tool is lightweight yet strong, and threads onto any threaded handle.

item	description	pack
470	kit, includes 5 pads	10
471	replacement pads, 20/case	1



KEEPING IT CLEAN

DUSTERS

SECTION TABLE OF CONTENTS

Nature's original duster	74
Wooly Wonder™	
Fixed & extendable dusters	76
High dusters	77
Handles	77
Ostrich	
Feather	78
Microfibre	
Microblade™	78
Handle	78
Miscellaneous	
Hand cloths	79
Biomop™ sheets	79



WOOL DUSTERS

Nature's original duster



To dislodge dust: flip the Wooly Wonder upside down inside a waste receptacle, and vigorously spin.



Nature sometimes provides its own perfect cleaning solution. The static charge produced by lambswool fibres has a natural affinity for dust. All of our wool products are manufactured with premium selected lambswool skins, featuring rugged polymer handles.

The Wooly Wonder is easy to clean and doesn't normally have to be laundered to remove the dust. To dislodge dust, flip the Wooly Wonder upside down, insert into a waste receptacle, and vigorously spin the handle between your hands. Wooly Wonder dusters work well where high dusting is performed on walls, ceilings and duct work.



WOOLY WONDER™

Lambswool, a renewable natural fibre

The Wooly Wonder is made from a natural wonder fibre that attracts dust like a magnet.

FIXED HANDLE

For dusting within arm's reach the fixed-handle lambswool dusters are ideal. The dusting head is flexible for reaching around corners.

description	flexible	item	size [in.]	pack
big pro	-	312	28	60
econo pro	-	425	26	72
flex	✓	314	28	10



EXTENDABLE

For jobs where a little extra reach is required, we offer four extendable-handle Wooly Wonder dusters in varying lengths. The flexible head and handle get into those corners with ease.

description	flexible	extendable	item	size [in.]	pack
super flex	✓	✓	310	32 - 60	10
hi-rise	✓	✓	311	30 - 44	10
econo hi-rise	-	✓	426	28 - 42	72



310

HIGH DUSTERS

Clean way up high

These high dusters are made to be paired with an extension handle to reach high or awkward spots.



WALL & CEILING

The extension pole (order separately) attaches in the middle of the head, making this the perfect tool for dusting ceilings and walls.

description	item	size [in.]	pack
duster head	414	-	12
ext. pole	36778	42 - 78	20



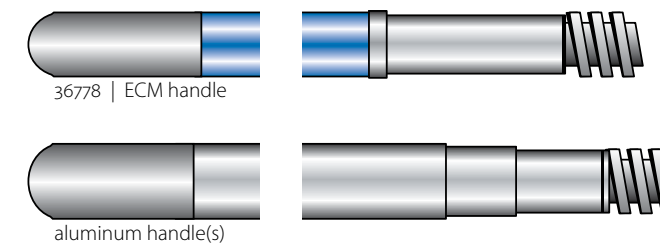
CORNER BOY

The flexible frame of the Corner Boy can be shaped to dust the tops of pipes, ceiling fans or high shelves. Use this with an acme-threaded handle or extension pole to reach high places.

description	item	pack
complete	309	10
refill	313	20
42-78-in. ext. pole	36778	20

TELESCOPIC HANDLES

The epoxy-coated metal (ECM) extension handle is the perfect blend of economy and quality. It's the quintessential accessory to any dusting program. The anodized aluminum multi-use handles resist oxidation and have a ¼ turn twist-and-lock for ease of use.



epoxy-coated metal	size [in.]				pack
36778	42 - 78				20
aluminum	8 ft.	12 ft.	18 ft.	24 ft.	pack
3-section twist lock	36708	36712	36718	-	6
4-section twist lock	-	-	-	36724	