

NEW Update	Brand	Type	AP900C applicable starting from software version:	Note	Plug and Play	SVT files	CAN connection point	+15 (12V) connection points	Remark	Photo	
	Alfa	147 2002>								2	
		159								3	
		8C								2	
		159								3	
		Brera								3	
		Gulietta								2	
		GT									
		MITo	F17.10H			190-5002130		OBD-II / Diagnostic Link Connector Pin 6 (CAN High) & Pin 14 (CAN Low)			3
		Spider 2007>									3
		Audi	A1	F18.01i			190-5002230	SVT-090	In bundle in steering column: orange/black (CAN High, twisted with orange/brown (CAN Low)		
	A2										7
	A2 1.2TDI, 1.4TDI										7
	A3 (8P) manual 2009>		F17.10H			190-5002450		Wire bundle under clock-unit, orange/blue (CAN High) twisted with orange/brown (CAN Low)			10
	A3 (8P) automatic 2009>		F17.06D			190-5002450		Wire bundle under clock-unit, orange/blue (CAN High) twisted with orange/brown (CAN Low)			10
	A4 (8K) 2008>		F17.10H			190-5002450		In steering column orange/blue (CAN High), twisted with orange/brown (CAN Low)			
	A5										
	A6 2006>										10
	C5										
	Q7										7
	R8										
	TT										10
	BMW	1-series (E87) 2004-2011	F18.01i			190-5002470		Behind glove box in open taped bundle: blue/red (CAN High), twisted with red (CAN Low)			18
		1-series (F20) 2011>									
		X1 (E84) 2009>	F18.01i			190-5002470		Behind glove box in open taped bundle: blue/red (CAN High), twisted with red (CAN Low)			18
		3-series (E90N, E91N, E92N, E93N) 2008-2012	F18.01i			190-5002470		Behind glove box in open taped bundle: blue/red (CAN High), twisted with red (CAN Low)			18
		5-series (E60-E61) 2003>	F18.01i			190-5002470		51-pin connector behind glove compartment, position 35 or 29, blue/red (CAN High) and position 34 or 30, red (CAN Low) or 52-pin connector behind glove compartment, position 32, blue/red (CAN High) and position 34, red (CAN Low)			18
	NEW	6-series (E63-E64) 2004>									18
		7-series (E65) 2001>									18
	Cadillac	BLS									3
		Chevrolet	Aveo								
	Captiva 2012>		F18.02K			190-5002390	SVT-115	OBD-II / Diagnostic Link Connector Pin 6 (CAN High) & Pin 14 (CAN Low)			20
	Colorado automatic 2009-2011		F17.07E			190-5002480		OBD-II / Diagnostic Link Connector Pin 6 (CAN High) & Pin 14 (CAN Low)			
	Colorado manual gearbox 2009-2011				pre-program SVT-file	190-5002480	SVT 037a	OBD-II / Diagnostic Link Connector Pin 6 (CAN High) & Pin 14 (CAN Low)			24
	Colorado automatic 2012>				pre-program SVT-file	190-5002220	SVT 120a	OBD-II / Diagnostic Link Connector Pin 6 (CAN High) & Pin 14 (CAN Low)			11
	Colorado manual gearbox 2012>		F18.02K			190-5002220	SVT 120	OBD-II / Diagnostic Link Connector Pin 6 (CAN High) & Pin 14 (CAN Low)			11
	Cruze LT 2009>		F17.06B			190-5002130		OBD-II / Diagnostic Link Connector Pin 6 (CAN High) & Pin 14 (CAN Low)	5-pole connector behind ignition lock, purple/black		3
	Orlando (manual gearbox) Spark 2009>		F17.06B			190-5002130		OBD-II / Diagnostic Link Connector Pin 6 (CAN High) & Pin 14 (CAN Low)	5-pole connector behind ignition lock, purple/black		3
	Chrysler	PT Cruiser									19
		Sabring									6
		Voyager CRD 2006 - 2007									24
		Grand Voyager 2008>									25
	Citroen	Berlingo 2006-2008									8
		Berlingo 2009>	F17.04T			190-500041A/B	SVT-016	OBD-II / Diagnostic Link Connector Pin 6 (CAN High) & Pin 14 (CAN Low)			16
		C1									16
		C1 Petrol									11
		C2 2006>									16
		C3 2006-2008									16
		C3 2009>	F17.06D			190-500041A/B		OBD-II / Diagnostic Link Connector Pin 6 (CAN High) & Pin 14 (CAN Low)			16
		C4 <2008									1
		C4 Picasso <2008									16
		C4 2009>	F17.06D			190-500041A/B		OBD-II / Diagnostic Link Connector Pin 6 (CAN High) & Pin 14 (CAN Low)			1
		C4 Picasso 2009>	F17.06D			190-500041A/B		OBD-II / Diagnostic Link Connector Pin 6 (CAN High) & Pin 14 (CAN Low)			16
		C5 2005-2007									16
		C5 2008>									
		C8									8
		C-Crosser	F17.09G			190-5002360		OBD-II / Diagnostic Link Connector Pin 6 (CAN High) & Pin 14 (CAN Low)	Ignition lock 6-pin WHT connector pin 2		6
		C-zero	F18.01i			190-5002360		OBD-II / Diagnostic Link Connector Pin 6 (CAN High) & Pin 14 (CAN Low)			6
		Jumper / Relay Multijet 2006-2010	F17.10E		EURO-4	190-5002110		Use LITE-ON OBD-II plug (LTK.0000130) or Blue 36-pole connector on rear side of body computer, green part, position 6: brown/black or black/pink (CAN High) & position 5 orange or white/pink (CAN Low).	Ignition lock ORG/BLK		2
		Jumper / Relay type 250 2.3 Multijet 2010>	F17.10H		EURO-5	190-5002130	SVT-077	Use LITE-ON OBD-II plug (LTK.0000130) or ODB-II / Diagnostic Link Connector Pin 6 (CAN High) & Pin 14 (CAN Low)	Ignition lock ORG/BLK	Mount LITE-ON Clutch Switch	3
	NEW	Jumpy / Dispatch 2009>	F18.03K			190-500041B	SVT-119	OBD-II / Diagnostic Link Connector Pin 6 (CAN High) & Pin 14 (CAN Low)			26
		Nemo 2006>	F17.09G			190-5002110		OBD-II / Diagnostic Link Connector Pin 6 (CAN High) & Pin 14 (CAN Low)	Mount purple wire to Original Clutch Switch		2
		Picasso 2006>									16
	Dacia	Duster									7
		Logan									12
		Logdy	F18.03K			190-5002180	SVT-121	OBD-II / Diagnostic Link Connector Pin 6 (CAN High) & Pin 14 (CAN Low)			7
	Dodge	Sandero									7
		Avenger									6
		Caliber									6
		Journey									6
		Nitro									25
	Ram Van CRD 2006-2007									24	
	Fiat	500 manual	F17.06B			190-5002380	SVT17 (rev.2)	OBD-II / Diagnostic Link Connector Pin 6 (CAN High) & Pin 14 (CAN Low)	Ignition lock 4-pin connector, pin-2 BLU wire		20
		500 duo-logic	F18.01i			190-5002380	SVT105	OBD-II / Diagnostic Link Connector Pin 6 (CAN High) & Pin 14 (CAN Low)	Ignition lock 4-pin connector, pin-2 BLU wire		20
		Bravo									2
		Croma 2005>									3
		Doblo II 2009>	F17.09G			190-5002130		OBD-II / Diagnostic Link Connector Pin 6 (CAN High) & Pin 14 (CAN Low)	Ignition lock, BLU wire		3
		Ducato 2006-2011 Multijet 120, 130, 160	F17.07E		EURO-4	190-5002110		Use LITE-ON OBD-II plug (LTK.0000130) or Blue 36-pole connector on rear side of body computer, green part, position 6: brown/black or black/pink (CAN High) & position 5 orange or white/pink (CAN Low).	Ignition lock, ORG/BLK wire	Mount LITE-ON Clutch Switch	2
	Ducato 2011> Multijet 115, 130, 150, 180	F17.10H		EURO-5	190-5002130	SVT-077	Use LITE-ON OBD-II plug (LTK.0000130) or ODB-II / Diagnostic Link Connector Pin 6 (CAN High) & Pin 14 (CAN Low)	Ignition lock, ORG/BLK wire		3	



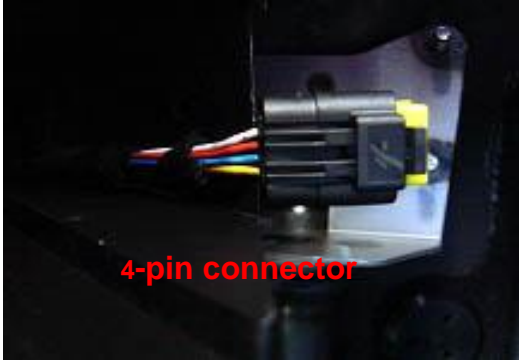
NEW	Brand	Type	AP900C applicable starting from software version:	Note	Plug and Play	SVT files	CAN connection point	+15 (12V) connection points	Remark	Photo
		Sonata 2.4								4
		Veloster	F17.05C		190-5002460		ODB-II / Diagnostic Link Connector Pin 6 (CAN High) & Pin 14 (CAN Low)		Mount purple wire to Original Clutch Switch	4
	Iveco	Turbo Daily 2006-2011								2
	Isuzu	D-max / Rodeo automatic 2009-2011	F17.07E		190-5002480	SVT 037	ODB-II / Diagnostic Link Connector Pin 6 (CAN High) & Pin 14 (CAN Low)			24
		D-max / Rodeo manual gearbox 2009-2011			190-5002480	SVT 037a	ODB-II / Diagnostic Link Connector Pin 6 (CAN High) & Pin 14 (CAN Low)			24
NEW		D-max / Rodeo automatic 2012>		pre-program SVT-file	190-5002220	SVT 120a	ODB-II / Diagnostic Link Connector Pin 6 (CAN High) & Pin 14 (CAN Low)			11
NEW		D-max / Rodeo manual gearbox 2012>	F18.02K		190-5002220	SVT 120	ODB-II / Diagnostic Link Connector Pin 6 (CAN High) & Pin 14 (CAN Low)			11
	Jaguar									
	Jeep	Cherokee 2.8 CRD								25
		Cherokee 2008>								4
		Compass								4
		Patriot								4
		Wrangler 2008>								25
	Kia	Carens 2011>								4
		Cee'd 2006-2009 manual transmission	F17.05C		190-5002110		ODB-II / Diagnostic Link Connector Pin 6 (CAN High) & Pin 14 (CAN Low)		CAN-bus connection for Diesel only	2
		Cee'd 2010>	F17.10H		190-5002110	SVT-019	ODB-II / Diagnostic Link Connector Pin 6 (CAN High) & Pin 14 (CAN Low)			2
		Picanto 1.2 63KW automatic 2011>	F18.01i		190-5002400		ODB-II / Diagnostic Link Connector Pin 6 (CAN High) & Pin 14 (CAN Low)			2
		Picanto 1.2 63KW manual 2011>								2
		Rio 1.2 63KW manual 2011>	F18.01i		190-5002460		ODB-II / Diagnostic Link Connector Pin 6 (CAN High) & Pin 14 (CAN Low)			4
		Rio 1.4 80KW automatic 2011>								
		Rio 1.4 80KW manual 2011>								
		Rio 1.1 CRDI 55KW manual								
		Rio 1.4 CRDI 66KW manual								
		Pro-cee'd								
		Soul								4
		Sorento 2009> manual transmission	F17.05C		190-5002460		ODB-II / Diagnostic Link Connector Pin 6 (CAN High) & Pin 14 (CAN Low)		Mount purple wire to Original Clutch Switch	3
		Sportage								2
	Lancia	Delta 2008>								2
		Lybra 1.9 JTD								2
		Musa								2
		Ypsilon 2006>								20
	Land Rover	Defender Td-4, Td-5								
		Discovery 2004>								
		Freelander (1997-2003)								
		Freelander Td-4 (2003-2006)								9
		Freelander 2 (2007>)								22
	Lexus	CS-350	F17.05B		190-5002210		ODB-II / Diagnostic Link Connector Pin 6 (CAN High) & Pin 14 (CAN Low)			13
		CT-200 2011	F17.10H		190-5002220		ODB-II / Diagnostic Link Connector Pin 6 (CAN High) & Pin 14 (CAN Low)			13
		CT-200 2012>	F17.10H		190-5002280		ODB-II / Diagnostic Link Connector Pin 6 (CAN High) & Pin 14 (CAN Low)			28
		IS-200								
	LDV	Maxus								7
	Mahindra	Scorpio (GOA)								2
	Mazda	2 petrol 2011>	F17.10H		190-5002220		ODB-II / Diagnostic Link Connector Pin 6 (CAN High) & Pin 14 (CAN Low)			11
		2 Diesel 2011>	F18.01i		190-5002330		ODB-II / Diagnostic Link Connector Pin 6 (CAN High) & Pin 14 (CAN Low)			22
		3 MY 2013								22
		5 CTiD 2005>								13
		5 Petrol 2008>					ODB-II / Diagnostic Link Connector Pin 6 (CAN High) & Pin 14 (CAN Low)			22
		6 2008>					ODB-II / Diagnostic Link Connector Pin 6 (CAN High) & Pin 14 (CAN Low)			25
		B2500								23
		BT-50 2.5TDI & 3.0 CRDI								23
		CX-5	F18.02K		190-5002530	SVT-114	ODB-II / Diagnostic Link Connector Pin 6 (CAN High) & Pin 14 (CAN Low)			11
		CX-7								11
		MPV								23
		MX5 2006>								13
		RX8								13
	Mercedes	A Class								18
		B Class								18
		C-Class (204) 2007-2011	F17.10H		190-5002440	SVT-083	Underneath dashboard on left-hand side in wire harness along front A-pillar, green/white (CAN High), twisted with green (CAN Low)			21
		G-Class								
		Sprinter 2006>	F17.05B		190-5002440	SVT-025	Under steering column twisted pair green/white (CAN High), green (CAN Low)			21
		Vaneo								18
		Viano								21
		Vito 2010>	F17.05B		190-5002440	SVT-025				21
	Mini	Mini 2001>								18
		Mini One								
	Mitsubishi	ASX	F17.09G		190-5002360	SVT-048	A-pillar driver side behind cap: 24-pole connector, Pin 17 blue (CAN High) & Pin 18 purple (CAN Low) or Under hoodrelease-lever: blue 22-pin connector , P 17, blue (CAN High) and Pin 18, pink (CAN Low)			4
		Canter 2010>		EURO-5						
		Carisma DI-D 2001>								
		Colt (2009>)								3
		Grandis 2.0 DI-D								13
		Grandis 2.4 MPI								13
		Grunder	F17.04T		-		ODB-II / Diagnostic Link Connector Pin 6 (CAN High) & Pin 14 (CAN Low)			
		Lancer 2008>	F17.09G		190-5002360	SVT-049	A-pillar driver side behind cap: 24-pole connector, Pin 17 blue (CAN High) & Pin 18 purple (CAN Low)		Mount purple wire to Original Clutch Switch	4
		L200 Model 2006								13
		iMiev	F18.01i		190-5002360	SVT-098	ODB-II / Diagnostic Link Connector Pin 6 (CAN High) & Pin 14 (CAN Low)			4
		Outlander 2007>	F17.09G		190-5002360	SVT-048	A-pillar driver side behind cap: 24-pole connector, Pin 17 blue (CAN High) & Pin 18 purple (CAN Low)			4
		Pajero <2006								13
		Pajero 2006>								13
		Shogun 2006>								13
		Space Star								
	Nissan	Cabstar F24 2007>								12
		Cube								12
NEW		Evilla Cdi	F17.10H	use AP900 for petrol versions	190-5002180	SVT064	ODB-II / Diagnostic Link Connector Pin 6 (CAN High) & Pin 14 (CAN Low)			12
		GTR								
		Interstar 2006-2010	F17.05B		190-5002140	SVT015	ODB-II / Diagnostic Link Connector Pin 6 (CAN High) & Pin 14 (CAN Low)			7
		Interstar 2010>	F17.09G		190-5002180	SVT070	ODB-II / Diagnostic Link Connector Pin 6 (CAN High) & Pin 14 (CAN Low)			12



NEW	Brand	Type	AP900C applicable starting from software version:	Note	Plug and Play	SVT files	CAN connection point	+15 (12V) connection points	Remark	Photo
		Rexton 270								2
		Rodius 270								2
	<b>Subaru</b>	Forester 2.0								11
		Forester 2008>								11
		Impreza 1.5, 2.0 R								11
		Impreza 2.5 WRX								11
		Impreza (2007>)								11
		Legacy (Outback) 2003>								13
		Outback								13
		Trezia	F17.10H		190-5002280		ODB-II / Diagnostic Link Connector Pin 6 (CAN High) & Pin 14 (CAN Low)			28
		Tribecca								
		WRX STI								
		XV	F18.01J		190-5002220	SVT112	ODB-II / Diagnostic Link Connector Pin 6 (CAN High) & Pin 14 (CAN Low)			11
		XV CVT	F18.01J		190-5002220	SVT112a	ODB-II / Diagnostic Link Connector Pin 6 (CAN High) & Pin 14 (CAN Low)			11
	<b>Suzuki</b>	Alto 2009>								13
		Alto 1.0 Automatic 2009>	F17.04T		190-5002210		ODB-II / Diagnostic Link Connector Pin 6 (CAN High) & Pin 14 (CAN Low)		Mount AA170 or AA177 Clutch Switch	13
		Grand Vitara 2006>	F17.09G		190-5002210	SVT058	ODB-II / Diagnostic Link Connector Pin 6 (CAN High) & Pin 14 (CAN Low)		Mount AA170 or AA177 Clutch Switch	13
		Jimny								3
		Kizashi	F17.10H		190-5002210		ODB-II / Diagnostic Link Connector Pin 6 (CAN High) & Pin 14 (CAN Low)			13
		Splash	F17.06D		190-5002210		ODB-II / Diagnostic Link Connector Pin 6 (CAN High) & Pin 14 (CAN Low)		Mount purple wire to Original Clutch Switch	13
		Swift 2008-2010	F17.04T		190-5002210	SVT007	ODB-II / Diagnostic Link Connector Pin 6 (CAN High) & Pin 14 (CAN Low)			13
		Swift 2010- manual + automatic gearbox	F18.01J		190-5002210	SVT110	ODB-II / Diagnostic Link Connector Pin 6 (CAN High) & Pin 14 (CAN Low)		SX4 Automatic: connect main ground wire, disconnect green wire in T-harness. Else	13
		SX4 / Liana 2006>	F17.04T		190-5002210		ODB-II / Diagnostic Link Connector Pin 6 (CAN High) & Pin 14 (CAN Low)			13
	<b>Toyota</b>	Auris Petrol 2007>	F17.06D		190-5002220	SVT031	ODB-II / Diagnostic Link Connector Pin 6 (CAN High) & Pin 14 (CAN Low)		Mount purple wire to Original Clutch Switch.	11
		Auris Hybrid 2010>	F17.10H		190-5002220	SVT079	ODB-II / Diagnostic Link Connector Pin 6 (CAN High) & Pin 14 (CAN Low)			11
		Avenis 2009 > manual gearbox	F17.05B		190-5002220		ODB-II / Diagnostic Link Connector Pin 6 (CAN High) & Pin 14 (CAN Low)			11
		Aygo Petrol 2008>								11
		Camry petrol 2008>	F17.04T		190-5002120		ODB-II / Diagnostic Link Connector Pin 6 (CAN High) & Pin 14 (CAN Low)			11
		Corolla Sedan Petrol 2007>	F17.06D		190-5002220		ODB-II / Diagnostic Link Connector Pin 6 (CAN High) & Pin 14 (CAN Low)		Mount purple wire to Original Clutch Switch.	11
		Hi-ace								5
		IQ	F17.10H		190-5002220		ODB-II / Diagnostic Link Connector Pin 6 (CAN High) & Pin 14 (CAN Low)			11
		Hi-lux 2005>								13
		Land Cruiser 90								5
		Land Cruiser 100 2005>								13
		Land Cruiser 120 2003>								13
		Land Cruiser 150 Prado 2009> manual gearbox	F17.10H		190-5002220		ODB-II / Diagnostic Link Connector Pin 6 (CAN High) & Pin 14 (CAN Low)		Mount purple wire to Original Clutch Switch.	11
		Previa 2000>								5
		Prius 2005>								13
<b>NEW</b>		ProAce 2009>	F18.03K		190-500041B	SVT-119	ODB-II / Diagnostic Link Connector Pin 6 (CAN High) & Pin 14 (CAN Low)			26
		Raider								13
		RAV4 2006>	F17.10H		190-5002220		ODB-II / Diagnostic Link Connector Pin 6 (CAN High) & Pin 14 (CAN Low)		Mount purple wire to Original Clutch Switch.	11
		Sienna 2003>								11
		Urban Cruiser								5
		Verso 2009>	F17.05C	CAN connection, Automatic gearbox only	190-5002220	SVT022	ODB-II / Diagnostic Link Connector Pin 6 (CAN High) & Pin 14 (CAN Low)			29
		Verso-S	F17.10H		190-5002280	SVT078	ODB-II / Diagnostic Link Connector Pin 6 (CAN High) & Pin 14 (CAN Low)			11
		Yaris 2006-2011 manual gearbox	F17.04T	CAN connection only for 2008>	190-5002220	SVT012	ODB-II / Diagnostic Link Connector Pin 6 (CAN High) & Pin 14 (CAN Low)		Mount AA170 or AA177 Clutch Switch	28
		Yaris MY2012	F17.10H		190-5002280	SVT078	ODB-II / Diagnostic Link Connector Pin 6 (CAN High) & Pin 14 (CAN Low)		Mount purple wire to Original Clutch Switch.	28
	<b>Volkswagen</b>	Amarok	F18.01i		190-5002230	SVT090	In bundle in steering column: orange/black (CAN High, twisted with orange/brown (CAN Low)			7
		Beetle								10
		Caddy 2010>	F18.01i		190-5002450	SVT091	In bundle behind lights switch: orange/black (CAN High), twisted with orange/brown (CAN Low)			21
		Crafter 06> manual	F17.05B		190-5002440	SVT025	Under steering column twisted pair green/white (CAN High), green (CAN Low)			10
		EOS	F17.09G		190-5002450	SVT050	Wire bundle above throttle pedal (behind plastic tube): 20-Pole connector, pos. 16 orange/black (CAN High), pos. 6 orange/brown (CAN Low)		Mount purple wire to Original Clutch Switch.	10
		Fox								10
		Golf 6 automatic	F17.06D		190-5002450	SVT034	Wire bundle above throttle pedal (behind plastic tube): 20-Pole connector, pos. 16 orange/black (CAN High), pos. 6 orange/brown (CAN Low). Use the wires that provide 2.8V on CAN High and 2.2V on CAN Low. The other twisted pair orange/black & orange/brown can not be used!!!			10
		Golf 6 manual	F17.10H		190-5002450	SVT088	Wire bundle above throttle pedal (behind plastic tube): 20-Pole connector, pos. 16 orange/black (CAN High), pos. 6 orange/brown (CAN Low). Use the wires that provide 2.8V on CAN High and 2.2V on CAN Low. The other twisted pair orange/black & orange/brown can not be used!!!			10
		Jetta 4 (1K) manual	F18.01J		190-5002450	SVT088	Wire bundle above throttle pedal (behind plastic tube): 20-Pole connector, pos. 16 orange/black (CAN High), pos. 6 orange/brown (CAN Low). Use the wires that provide 2.8V on CAN High and 2.2V on CAN Low. The other twisted pair orange/black & orange/brown can not be used!!!			10
		Multivan 2009>	F17.10H		190-5002230		Right-side under steering column/dashboard in wire bundle: twisted pair, orange/black (CAN High), orange/brown (CAN Low)			7
		Passat 3C 2005-2010 manual gearbox	F17.04T	CAN connection for diesel only	190-5002450	SVT-010	Right-side under dashboard twisted pair, orange/black (CAN High), orange/browns (CAN Low)			10
		Passat 3C 2010- manual gearbox	F18.01J		190-5002450	SVT109	Under steering column twisted pair green/white (CAN High), green (CAN Low)			10
		Passat 3C 2010- DSG gearbox	F18.01J		190-5002450	SVT109	Under steering column twisted pair green/white (CAN High), green (CAN Low)			10
		Passat CC								
		Polo (6R) 2009-	F18.01i		190-5002230	SVT-106	Park Distance Control wiring harness at bottom left A-pillar, twisted pair orange/black (High) and orange brown (Low) or Clock unit 32-pole blue connector position 28 orange/black (CAN High) twisted with position 29 orange/brown (CAN Low).			10
		Scirocco 2008>								10
		Sharan								7
		Tiguan	F17.10H		190-5002450		Under steering column twisted pair green/white (CAN High), green (CAN Low)			10
		Touareg 2002>								7
		Touran 2006>								10
		Transporter 5 2009>	F17.10H		190-5002230	SVT062	Right-side under steering column/dashboard in wire bundle: twisted pair, orange/black (CAN High), orange/brown (CAN Low)			7
		Up! (AA)	F18.01J		190-5002450	SVT111	Clock unit, 32-pole blue connector, position 28 orange/black (CAN High) twisted with position 29 orange/brown (CAN Low)			10
	<b>Volvo</b>	C30	F17.04T		190-5002330		ODB-II / Diagnostic Link Connector Pin 6 (CAN High) & Pin 14 (CAN Low)	2008>		22
		S40								22
		V50								22
		C70								22
		V70 2007>								22
		XC70 2007>								22
		S80 2006>								22

**Photo:**

**1**



Peugeot - Citroen  
W/H AP800 Part no:

190-5000090

**Plug and Play available**

**2**



Fiat  
Hyundai  
Iveco  
Ssang Yong  
Kia  
UAZ

**3**



Nissan  
Mitsubishi  
Fiat  
Suzuki

**4**



Kia  
Hyundai

5



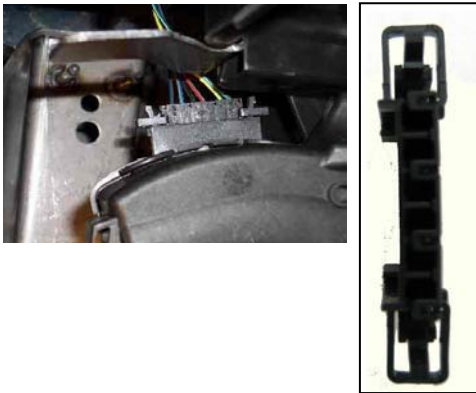
Toyota  
Nissan

6



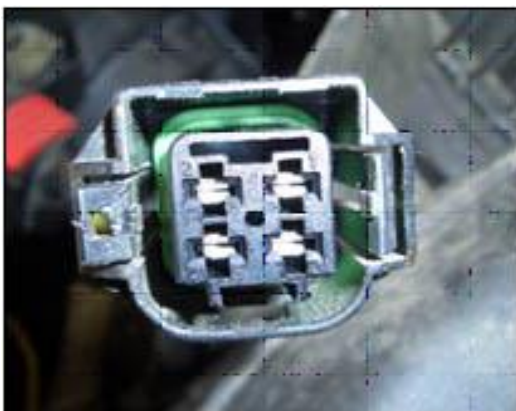
Hyundai Sonata 2.4  
Chrysler Sebring  
Dodge Avenger, Caliber  
Mitsubishi Outlander, Lancer  
Peugeot 4007  
Citroen C-Crosser

7



Renault  
Opel  
Nissan  
Peugeot  
Citroen  
VW  
Audi

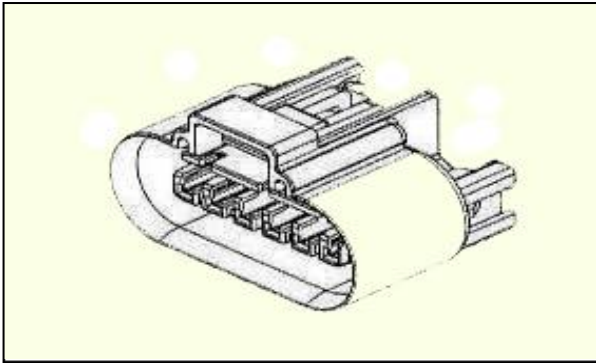
8



Peugeot      Potentiometer under bonnet  
Citroen      Potentiometer under bonnet  
Suzuki      Potentiometer under bonnet

W/H AP800 Part no:                      190-500050W

9



Ford Fiesta  
Land Rover freelande  
Mazda-2

10



VW Golf 5  
VW Passat 2005>

11



New Toyota;  
Aygo  
Yaris  
RAV4 2006>

Mazda:  
2, 6, CX7

Subaru



12



Renault:  
Modus  
Mégane  
Scenic

Nissan:  
Cabstar

13



Mazda:  
6  
MX5 (2006)  
RX8

Toyota  
Raider (Hi-lux)

Mitsubishi  
Grandis, L200, Pajero

14



Honda

CRV/HRV

W/H AP800 Part no:  
190-5000510

15



Honda  
Jazz

16



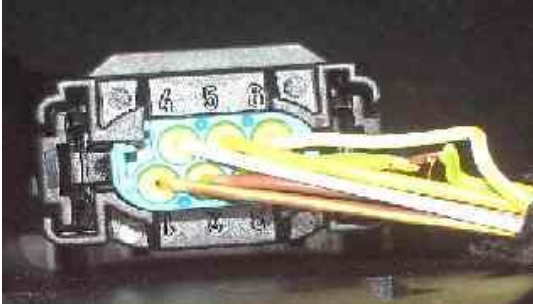
Citroen, Peugeot

17



Civic 2006>  
CRV 2007>

18



BMW 118  
Mercedes A + B  
Mini  
SsangYong Rexton 230

19



PT Cruiser 2000-2006

20



Fiat Panda  
Fiat 500  
Lancia Ypsilon

21



**Mercedes**

C-class  
Sprinter  
Vaneo  
Viano  
Vito

**VW**

Crafter

22



**Ford:**

C-Max  
Focus 2004>  
Galaxy 2006>  
Mondeo 2007>  
S-Max 2006>  
Transit 2006>  
Transit Connect 2007>

**Volvo**

C30  
S40  
V50  
C70  
V70  
S80

**Mazda**

3

**LandRover**

Freelander 2

23



**Ford**

Ranger

**Mazda**

BT-50

24



**Chrysler**

Voyager CRD

**Dodge**

Ram Van

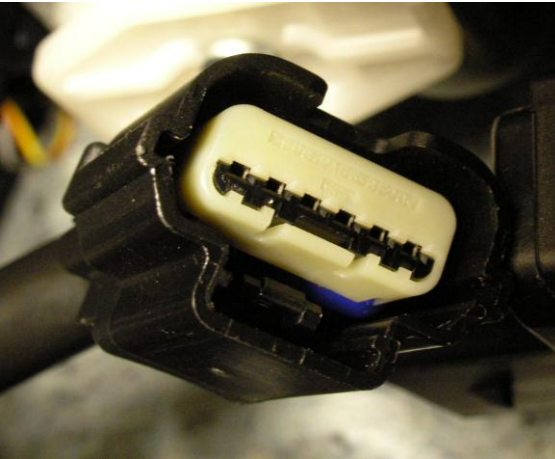
**Isuzu**

D-Max

**Chevrolet**

Colorado / D-Max

25



**Chrysler**

Grand Voyager

**Dodge**

Nitro

**Ford**

Focus USA

Focus 2011-

C-Max 2011- / Grand C-Max

**Mazda**

3, 6

**Chevrolet**

Spark

**Jeep**

Wrangler

26



**Fiat**

Scudo

**Peugeot**

**Citroen**

27



**Honda**  
Jazz  
Fit  
Insight

28



**Toyota**  
Verso-S  
  
**Subaru**  
Trezia

29



**Ford**  
Edge  
Flex  
Fusion (USA)  
Transit 125T 350 (EU)  
F150  
F350

**Range Rover**