

ILLUSTRATED PARTS BREAKDOWN

110/115/150/155/165 MODELS

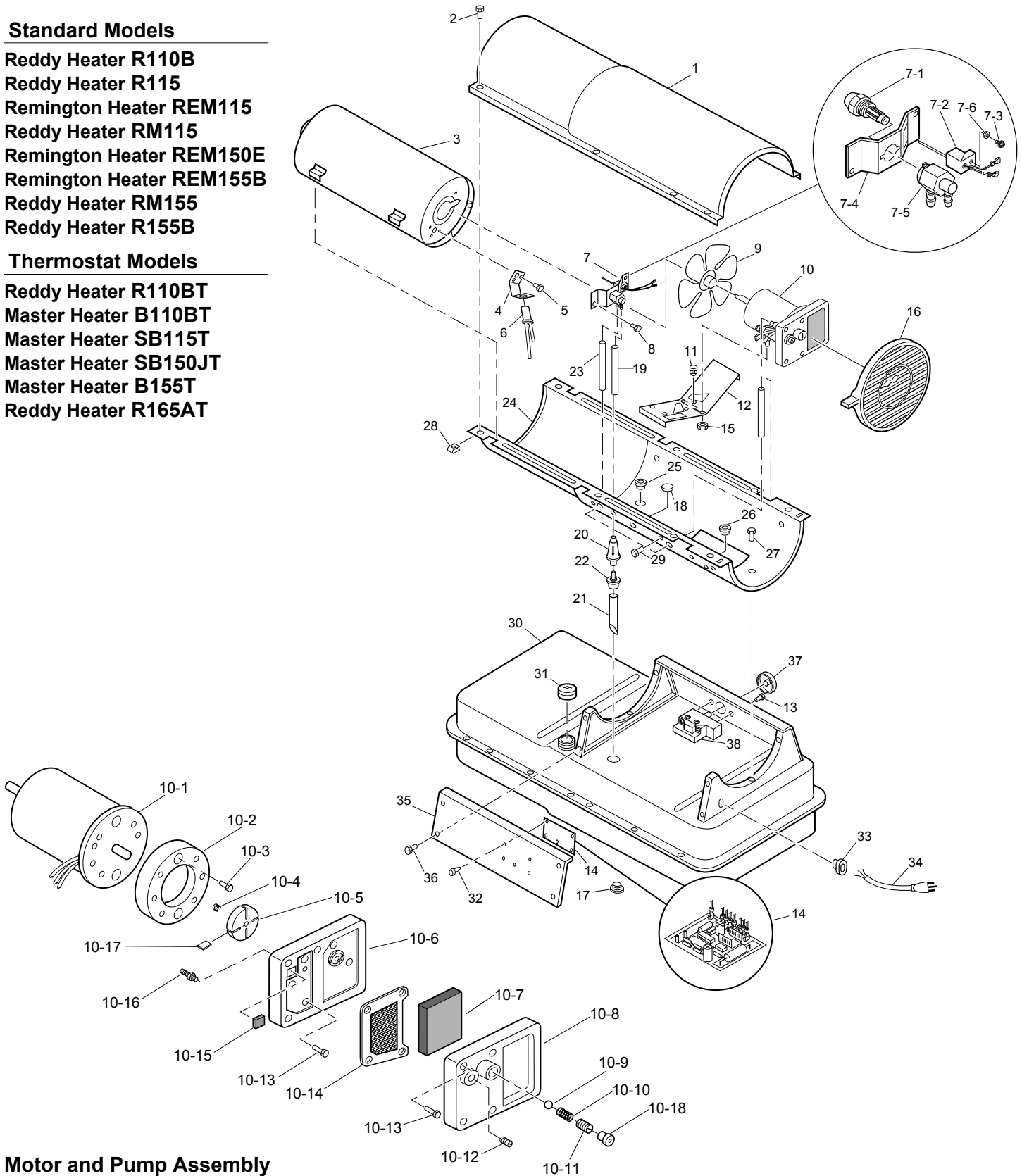


Standard Models

Reddy Heater R110B
Reddy Heater R115
Remington Heater REM115
Reddy Heater RM115
Remington Heater REM150E
Remington Heater REM155B
Reddy Heater RM155
Reddy Heater R155B

Thermostat Models

Reddy Heater R110BT
Master Heater B110BT
Master Heater SB115T
Master Heater SB150JT
Master Heater B155T
Reddy Heater R165AT



Motor and Pump Assembly



PARTS LIST

110/115/150/155/165 MODELS

This list contains replaceable parts used in your heater. When ordering parts, be sure to provide the correct model and serial numbers (from the model plate), then the part number and description of the desired part.

KEY NO.	PART NUMBER	DESCRIPTION	QTY.	KEY NO.	PART NUMBER	DESCRIPTION	QTY.
1	098511-66	Upper Shell (Service Part Will Be Black)	1	10-16	104096-01	Fitting, Straight Nylon Barb	1
				10-17	M8643**	Blade	4
2	100647-01	Screw, #10-16 x 1/2"	8	10-18	105780-01	Plastic Cap	1
3	098512-54	Combustion Chamber (110/115)	1	11	M50631	Rubber Bumper	2
	098512-59	Combustion Chamber (150/155)	1	12	101206-01	Motor Mounting Bracket	1
	098512-60	Combustion Chamber (165)	1	13	M10908-1	Screw, #6-32 x 1/4"	2
4	103971-01	Photocell Bracket (110/115)	1	14	104068-02	Ignition Control Assembly	1
	103154-05	Photocell Bracket (150/155/165)	1	15	NTC-4C	Hex Lock Nut, 1/4-20	2
5	M10908-2	Screw, #6-32 x 3/8"	2	16	M51114-01	Fan Guard	1
6	M16656-24	Photocell Assembly	1	17	M27417	Drain Plug (Includes "o" Ring)	1
7	Δ	Burner Head Assembly	1	18	099213-01	Button Plug	1
7-1	HA3027	Nozzle Assembly (110/115)	1	19	M51345-06	Fuel Line	1
	HA3028	Nozzle Assembly (150/155)	1	20	M51150-01***	Fuel Filter	1
	HA3029	Nozzle Assembly (165)	1	21	M51151-01	Fuel Line Tube (110/115)	1
7-2	102548-03	Ignitor Kit	1		M51151-02	Fuel Line Tube (150/155/165)	1
7-3	M10908-75	Screw	1	22	M10990-3	Rubber Bushing	1
7-4	102336-01	Nozzle Adapter Bracket	1	23	M50814-03	Airline	1
7-5	104054-01	Nozzle Adapter	1	24	098511-236	Lower Shell (Service Part Will Be Black)	1
7-6	103347-01	Washer	1				
8	107992-01	Screw, #10-16 x 3/8"	2	25	M50104-03	Bushing	1
9	097293-01	Fan (110/115)	1	26	M50104-01	Bushing	1
	102042-01	Fan (150/155/165)	1	27	107992-01	Screw, #10-16 x 3/8"	6
10	Δ	Motor and Pump Assembly	1	28	M11271-8	Clip Nut	8
10-1	102001-21	Motor	1	29	M10908-14	Screw, #8-32 x 3/8"	1
10-2	079975-02	Pump Body	1	30	108088-04	Fuel Tank (110/115)	1
10-3	FHPF3-5C	Screw, #10-32 x 5/8"	2		108088-05	Fuel Tank (150/155/165)	1
10-4	M22009**	Rotor Insert	1	31	097702-01	Fuel Cap (Includes Gasket)	1
10-5	M22456-1**	Pump Rotor	1	32	102349-01	P.C. Board Support	5
10-6	M50545	Pump End Cover	1	33	M11143-1	Strain Relief Bushing	1
10-7	M12179***	Intake Filter	1	34	098219-38	Power Cord	1
10-8	M16545	Filter End Cover	1	35	M51077-09AA	Side Cover	1
10-9	M8940∞	Steel Ball, 1/4" Diameter	1	36	107992-01	Screw, #10-16 x 3/8"	4
10-10	M10993-1∞	Relief Spring	1	37	104905-01	Thermostat Knob	1
10-11	M27694∞	Adjusting Screw	1	38	097657-03	Thermostat	1
10-12	M22997∞	Plug	1		103814-01	Wire Tie (Not Shown) - Groups wires connected to Ignition Control Assembly	1
10-13	M12461-31	Screw, #10-32 x 1"	10				
10-14	M12244-1***	Output Filter	1				
10-15	M11637***	Lint Filter	1		100621-06	Thermostat Decal (Not Shown)	1

Δ Not available as an assembly

*** Included in Filter Kit (Part No. HA3017)

** Included in Rotor Kit (Part No. HA3004)

∞ Included in Pump Adjustment Kit (Part No. HA3020)

SPECIFICATIONS

Model Size	40	55/60	70	110/115	150/155	165	200
Output Rating (Btu/Hr)	40,000	55,000 and 60,000	70,000	110,000 and 115,000	150,000 and 155,000	165,000	200,000
Fuel	Use only kerosene, #1/#2 diesel/fuel oil, JET A or JP-8 fuels*						
Fuel Tank Capacity (U.S. Gal./Liters)	3/11.3	5/18.9	5/18.9	9/34	13.5/51	13.5/51	13.5/51
Fuel Consumption (Gal. Per Hr/Liters Per Hr)	.3/1.14	.44/1.67	.52/1.97	.85/3.00	1.14/4.31	1.2/4.54	1.4/5.3
Pump Pressure (psi)	3.0	3.4	4.7	5.3	5.4	5.6	6.2
Electric Requirements	120 V/60 HZ (Same All Models)						
Amperage (Normal Run)	2.0	2.0	2.8	3.6	3.6	3.6	3.6
Motor RPM	1725	1725	3440	3400	3400	3400	3400
Hot Air Output (CFM)	170	180	360	490	550	575	600
Motor HP	1/15	1/15	1/8	1/5	1/5	1/5	1/4
Shipping Weight (Approximate Pounds/Kilograms)	32/14.5	33/15	35/15.9	54/24.5	63/28.6	65/29.5	77/35
Heater Weight without Fuel (Approximate Pounds/Kilograms)	28/12.7	29/13.1	31/14	46/21	54/24.5	55/25	66/30

* Use of #2 diesel & fuel oil will result in noticeable odor and could require additional fuel filter maintenance. Use in extreme cold temperatures may require nontoxic anti-icer additives.

WIRING DIAGRAMS

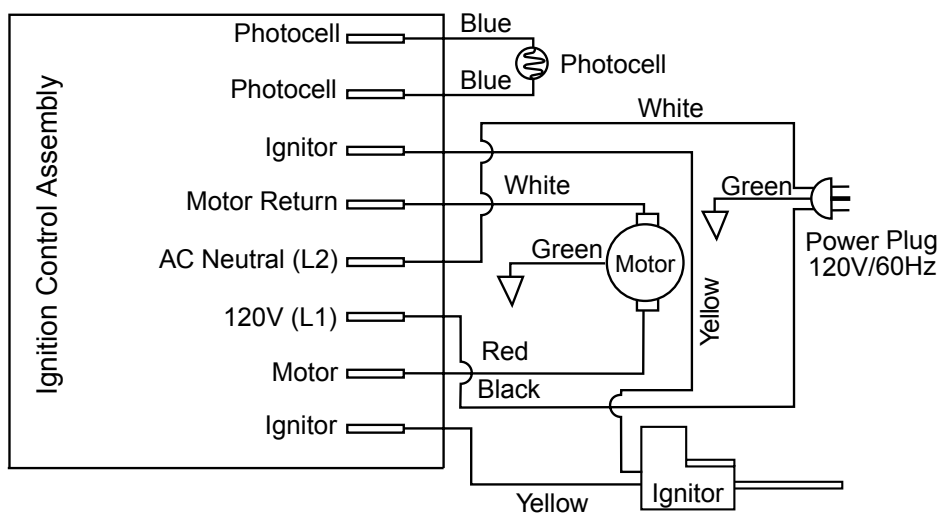


Figure 1 - Wiring Diagram without Thermostat (40/55/60/70/110/ 115/150/155/165 Models)



WIRING DIAGRAMS

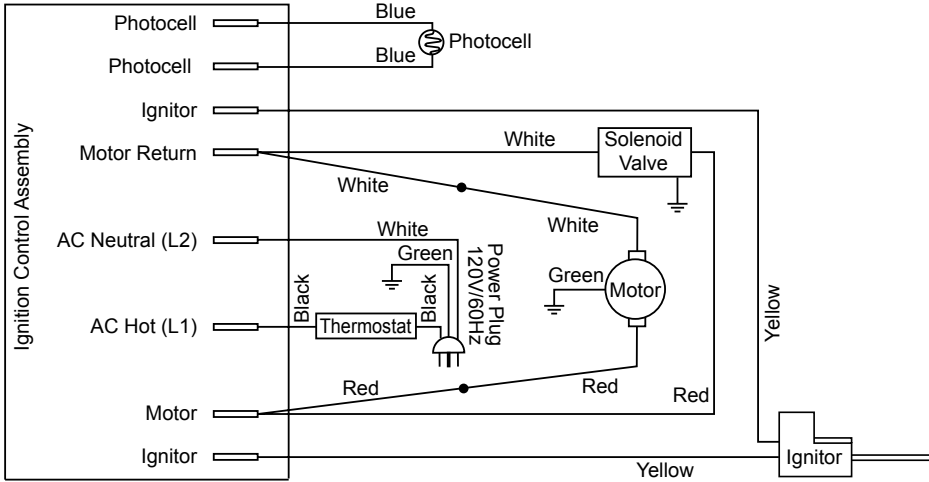


Figure 35 - Wiring Diagram with Thermostat for 200 Model

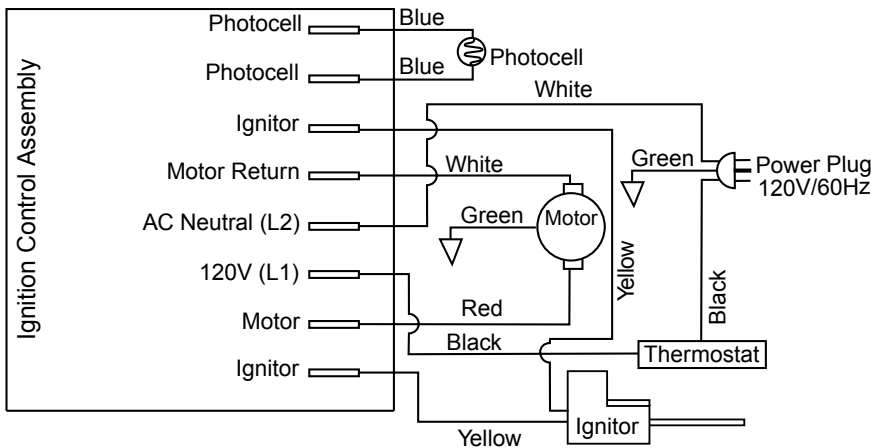


Figure 36 - Wiring Diagram with Thermostat (40/55/60/70/110/115/150/155/165 Models)

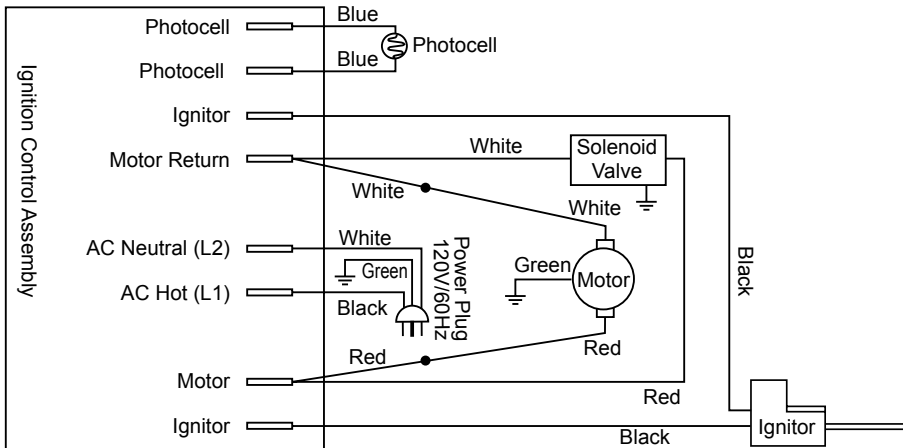
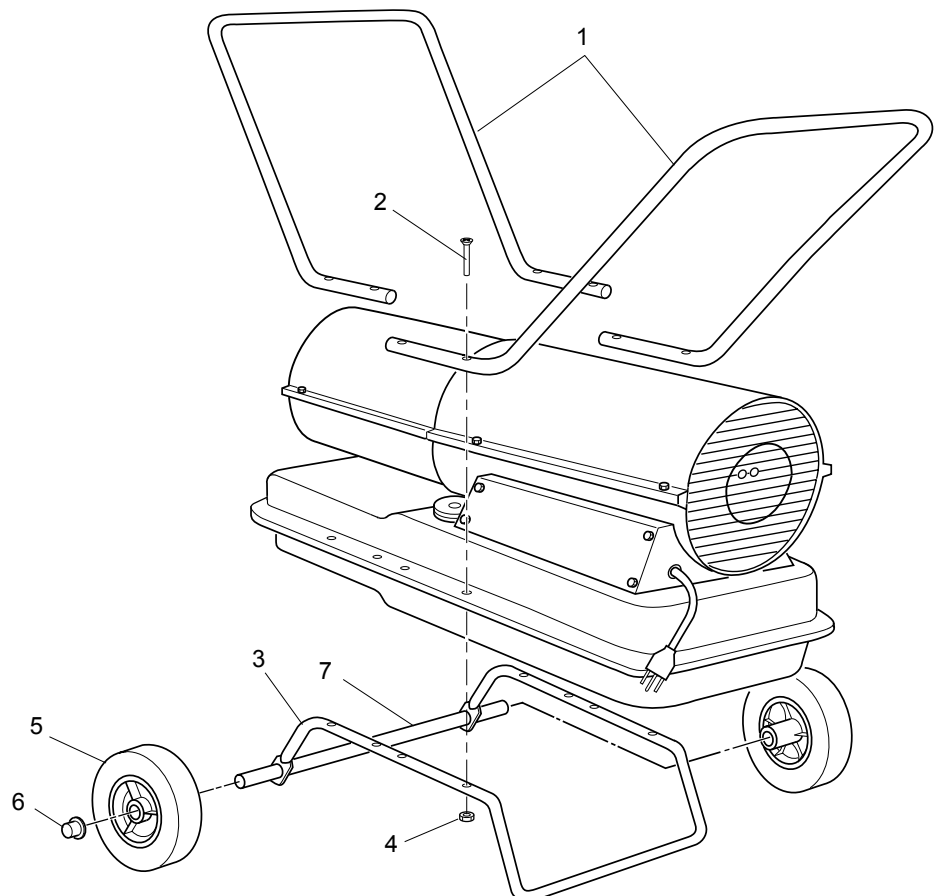


Figure 37 - Wiring Diagram without Thermostat for 200 Model

MASTER B110B
 REDDY R110B
 REMINGTON REM110B

WHEELS AND HANDLE PARTS LIST

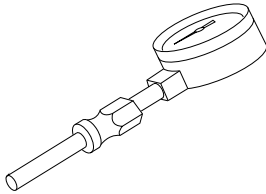
KEY NO.	PART NUMBER	PART DESCRIPTION	QTY.
1	HA2203	Handle	2 (If Equipped)
2	M12345-33	Screw, #10-24 x 1 3/4" (B110B) (R110B, REM110B)	8 6
3	M12342-3	Wheel Support Frame	1
4	NTC-3C	Hex Nut, #10-24 (B110B) (R110B, REM110B)	8 6
5	097896-04	Wheel (Master and Remington)	2
	097896-01	Wheel (Reddy)	2
6	M28526	Cap Nut	2
7	M51015-01	Axle (110/115)	1
*	098493-01	General Information Decal	1





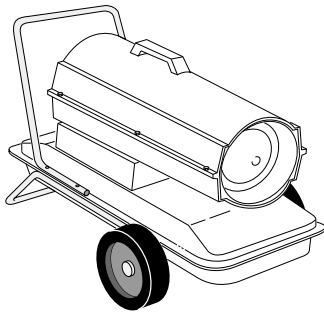
ACCESSORIES

Purchase accessories and parts from your nearest dealer or service center. If they can not supply these accessories or parts, either contact your nearest parts dealer or DESA International at 1-800-458-2472 for referral information. Parts Centrals are listed in the Authorized Service Center booklet supplied with heater.



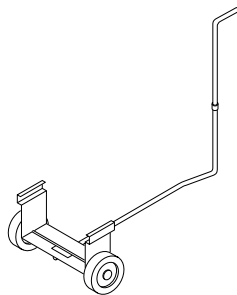
AIR GAUGE KIT - HA1180

For all models. Special tool to check pump pressure.



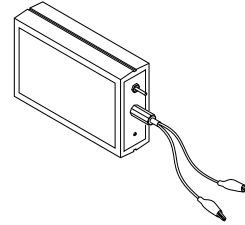
HEAVY DUTY WHEELS AND HANDLE KIT HA1202

For heavy duty applications. Makes your heater even more portable and convenient.



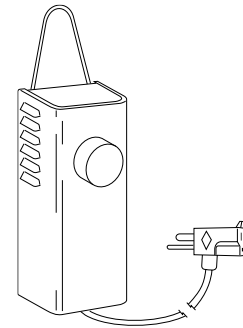
STANDARD WHEELS AND HANDLE KIT HA1206

Makes heater even more portable and convenient. Easy to assemble.



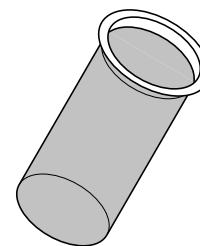
IGNITION CONTROL ASSEMBLY/PHOTOCELL TESTER - HA1170

Special tool used to test the ignition control assembly and photocell.



THERMOSTAT KIT - HA1210

Keeps your building at the temperature you select day and night. Helps economize on fuel.



FUEL TANK FILLER NECK SCREEN - HA2210

This screen/filter drops in fuel tank filler neck. This prefilter allows for easy cleaning and provides two-stage filtering advantage.