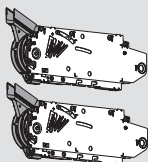


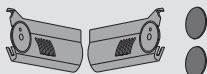
Lift mechanism set



- Lift mechanism (qty 2)
- #7 x 35 mm (1-3/8") wood screw (qty 8)

Power factor	Part no.
85 — 230 (1 lift mechanism req.)	20F2200.N5
231 — 470	20F2200.N5
471 — 880	20F2500.N5
780 — 1440	20F2800.N5
1401 — 2300 (3 lift mechanisms req.)	20F2800.N5

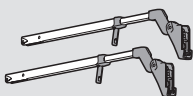
Cover set



- Right and left cover plate
- Non-handed cover cap (qty 2)

Cover set	Part no.
	20F8000.NA

Telescopic arm set



- Telescopic arm (qty 2)

Cabinet heights	Part no.
479 (18-7/8") — 558 (22")	20F3200.01
558 (22") — 686 (27")	20F3500.01
686 (27") — 889 (35")	20F3800.01
889 (35") — 1067 (42")	20F3900.01

Wood or wide alum door hardware set

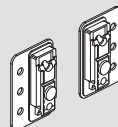
- CLIP top 120° hinge (qty 2)
- COMPACT 33° hinge (qty 2)
- CLIP top bottom door hinge (qty 2)
- COMPACT mounting plate (qty 2)
- Face frame adapter (qty 4)
- Telescopic arm mounting plate (qty 2)

NOTE: Three hinges and mounting plates required for cabinet widths over **1219** (48")

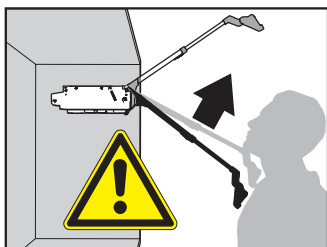
Hardware set	Part no.
	78Z5530TA8
Inst. screw for wood doors	606N or 606P
Inst. screw for wide alum doors	7072A

Mounting plate with bracket set

- Left and right mounting plate with bracket
- For large overlay five-piece doors



Mounting plate w/ bracket set	Part no.
	175H3F00



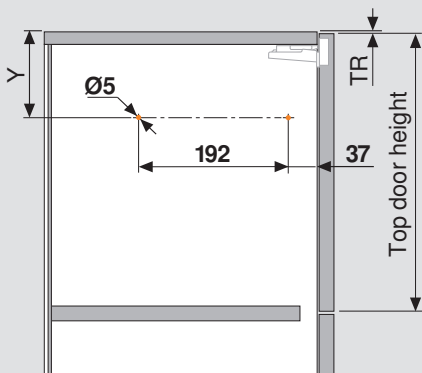
WARNING

Risk of injury from spring-loaded arm

- Do not push arm assembly down or leave in the down position
- Remove mechanism before installing or removing cabinet

1 Locating pin locations

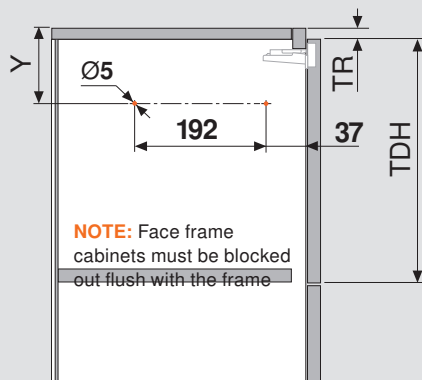
Panel



Top door height (TDH)	Y
231 to 271	$TDH \times .6 - 28 + TR$
272 to 531	$TDH \times .6 - 57 + TR$

TR = Top reveal
TDH = Top door height

Face frame



Top door height (TDH)	Y
231 to 271	$TDH \times .6 - 28 + TR$
272 to 531	$TDH \times .6 - 57 + TR$

TR = Top reveal
TDH = Top door height

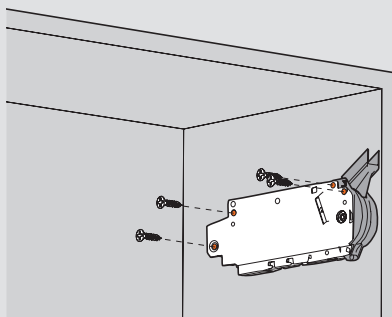
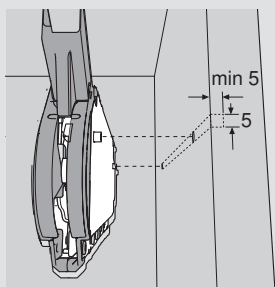
Part no.

Universal individual template is available for pre-boring locating pins

65.1051.02

2 Attaching the lift mechanism

Align the lift mechanism in the cabinet using the 5 mm locator pins and attach the mechanism with the four wood screws provided.



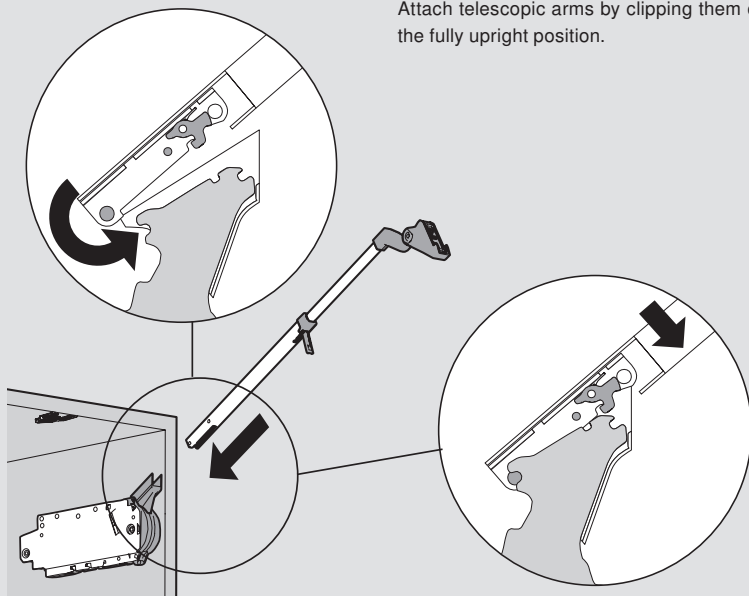
#7 x 35 mm (1-3/8") wood screws (qty 4)

3 Attach the telescopic arms

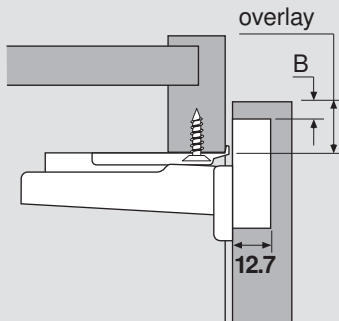


WARNING: Risk of injury from spring loaded arm.

Attach telescopic arms by clipping them on in the fully upright position.



4 Small overlay top door hinge planning CLIP top hinges



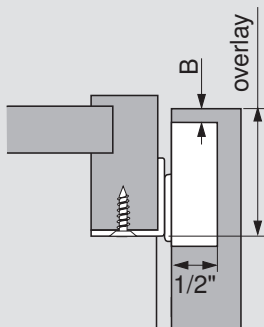
Overlay table				
13*	14	15	16	17
3	3	4	5	6
B Bore distance				

* Bore at 3 then adjust 1

Part no.

CLIP top hinge	70T5580.TL
Mounting plate	175H6000

5 Large overlay top door hinge planning COMPACT hinges

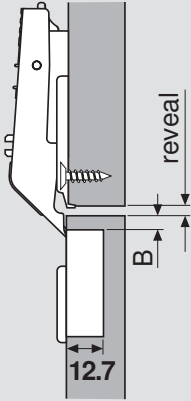


Overlay table
1-1/4"
3
Bore distance

Part no.

COMPACT hinge	32.4630
Mounting plate	130.1130.02

6 Bottom door hinge planning

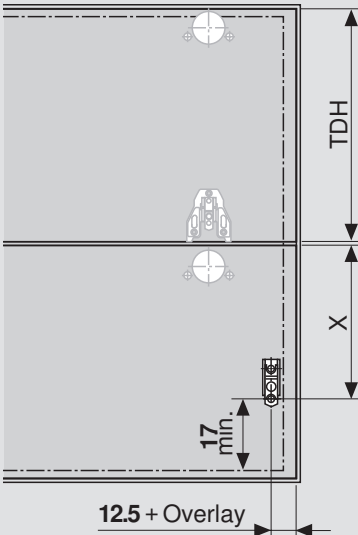


Reveal table			
6	5	4	3
3	4	5	6
B Bore distance			

Part no.

CLIP top hinge	78Z5530T
Mounting plate	175H6000

7a Attaching the telescopic arm mounting plates



Top door height (TDH)	X
231 to 271	$TDH \times .5 + 70$
272 to 531	$TDH \times .5 + 47$

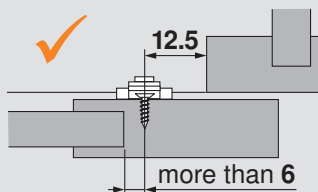
NOTE: For five-piece door mounting specifications, see page 6

Part no.

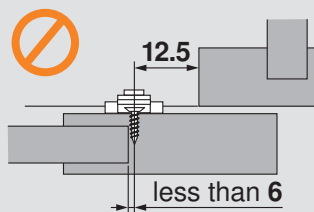
Telescopic arm mounting plate	175H3100
-------------------------------	----------

7b Attaching the telescopic arm mounting plate with bracket for five-piece doors

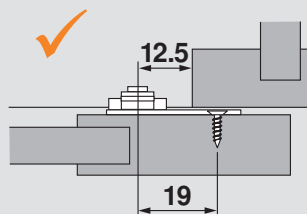
Standard mounting plate works



Standard mounting plate does not work



Use mounting plate with bracket when panel is < 6 mm from screw

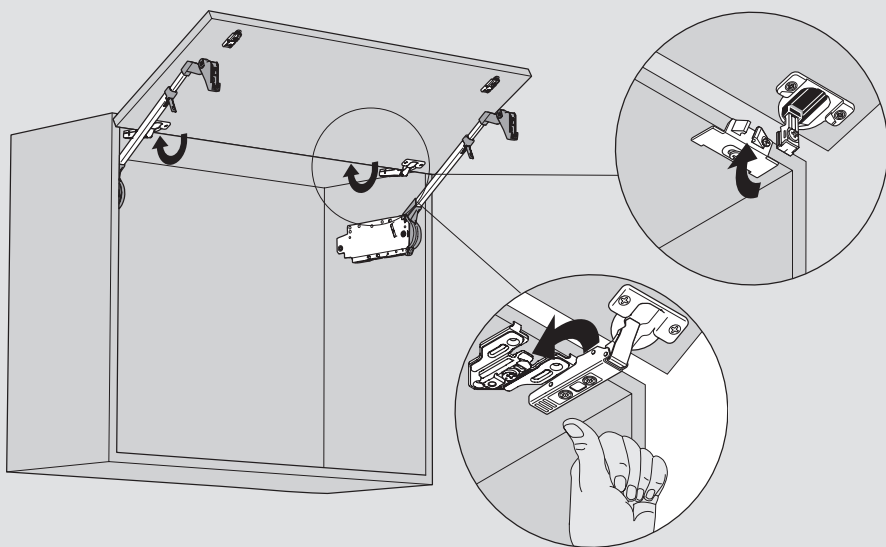


Part no.

Telescopic arm mounting plate with bracket

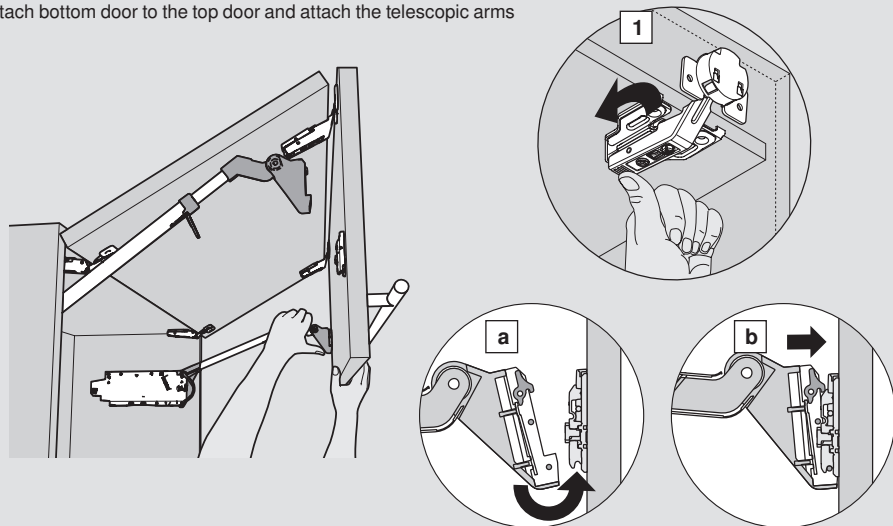
175H3F00

8 Attach the top door to the cabinet

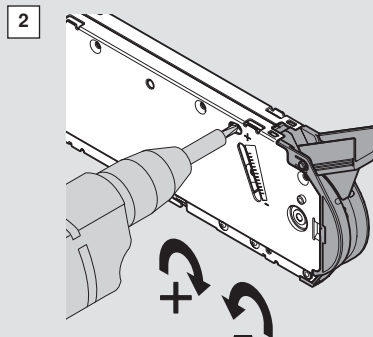
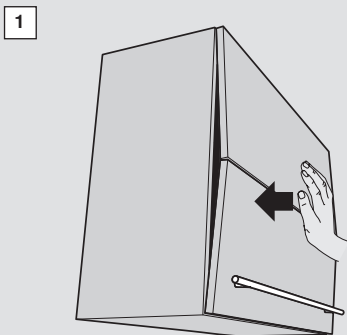


9 Attach the bottom door

Attach bottom door to the top door and attach the telescopic arms



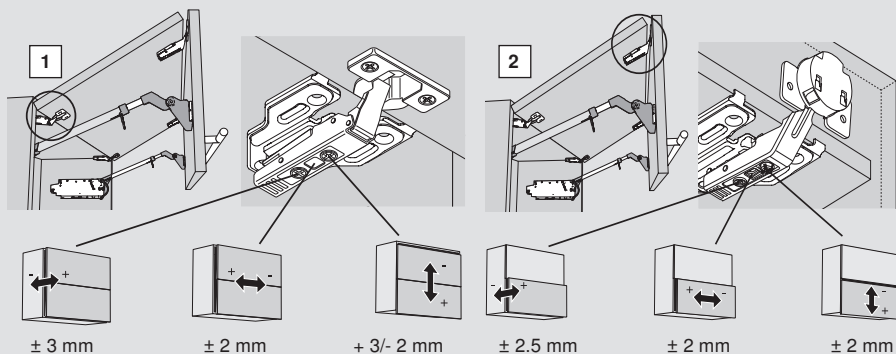
10 Adjust tension of the mechanism



Close and flush doors to cabinet. Open and close door to test closing force. Use a screw gun and the #2x2 POZI driver bit to adjust the lift mechanism to the desired tension. Test door again and repeat until desired function is achieved.

Tension adjustment should be the same on both lift mechanisms.

11 Finalizing the door adjustments



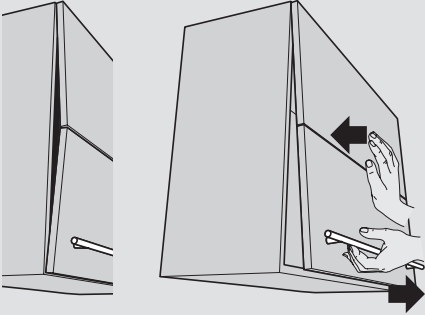
1. Adjust each top door hinge and mounting plate to properly align the top door to the cabinet.

2. Adjust each bottom door hinge and mounting plate to properly align doors to the cabinet and to the top door.

Although not illustrated here, telescopic arm mounting plates can also be adjusted horizontally ± 2 mm if needed.

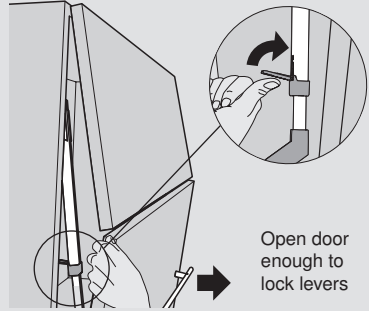
12 Adjust and lock telescopic arms

1



1. Close and flush doors to cabinet. While pressing on the top door, pull the bottom door open one inch.

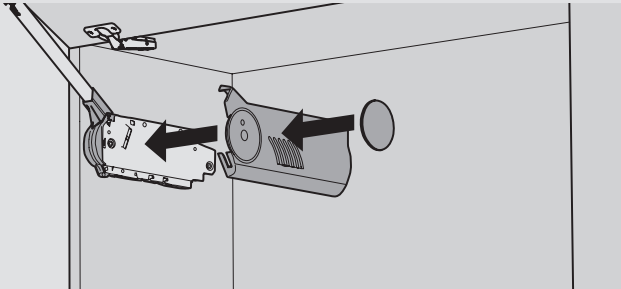
2

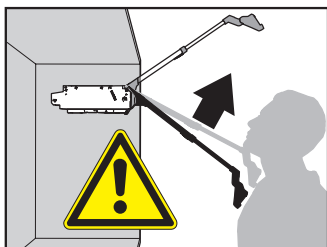


2. Slightly open door and lock the telescopic arms into position using the levers as shown.

13 Attach covers

Attach the left and right cover plates to each lift mechanism then attach the symmetrical cover caps



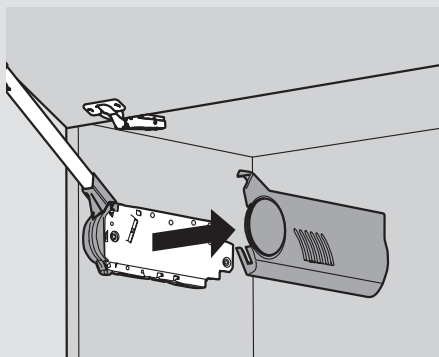


WARNING

Risk of injury from spring-loaded arm

- Do not push arm assembly down or leave in the down position
- Remove mechanism before installing or removing cabinet

1 Remove covers



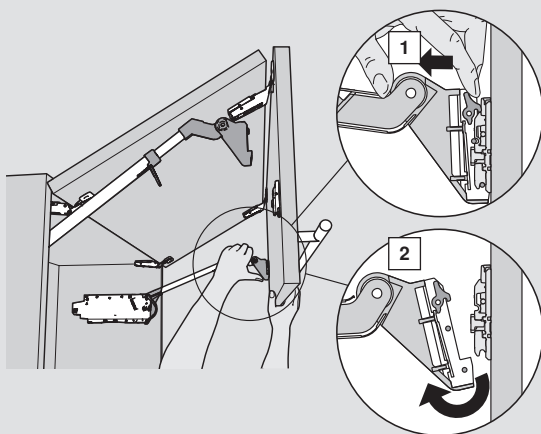
2 Detaching the telescopic arms



Warning: Risk of injury from spring-loaded telescopic arm!

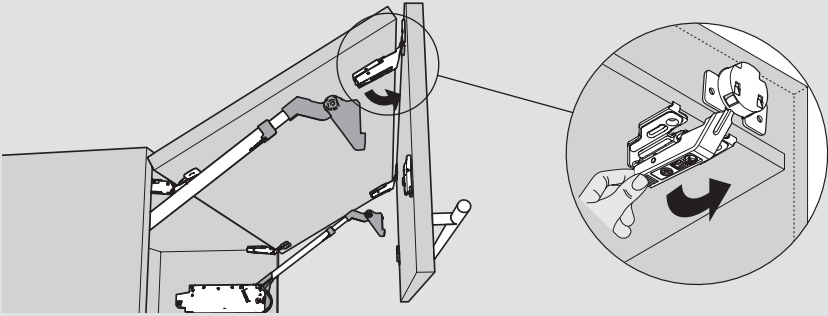
Maintain control of telescopic arm while releasing the CLIP mechanism.

Release both arms and gently rest the top door on the loose arms. The tension will hold the doors up for the next step.

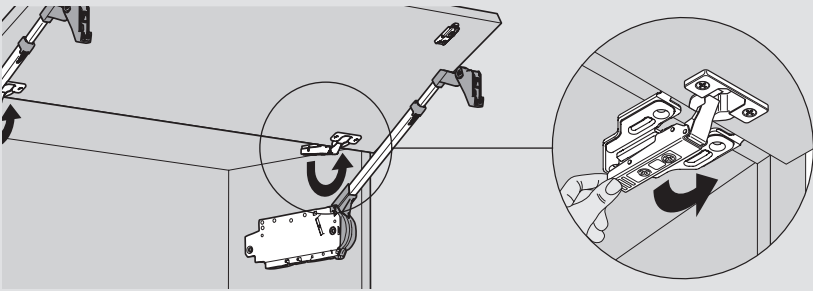


3 Removing the doors

- 1 Hold the bottom door while unclipping the bottom hinges.



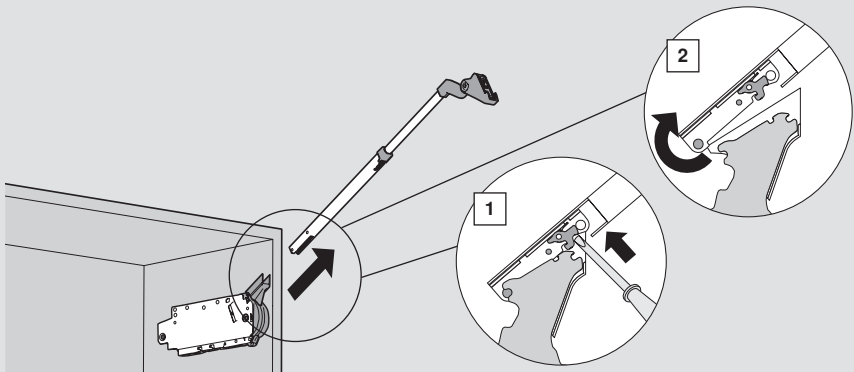
- 2 Hold the top door while detaching the top hinges. Simply unclip them if using the CLIP top hinges or loosen them if using COMPACT.

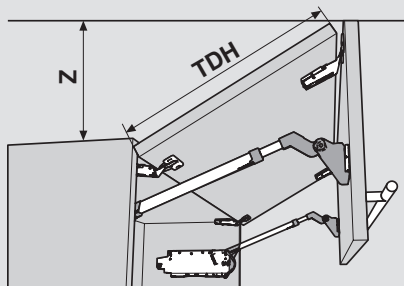


4 Removing the telescopic arms

Using a screwdriver, depress the release tabs to remove telescopic arms.

If transporting the cabinet to the jobsite, stop here. Lift mechanisms stay inside the cabinet for easy transport.



Door clearance above cabinet


$$Z = TDH \times .44 + 38$$

Inch		mm
1/32	.031	1
1/16	.063	1.5
3/32	.094	2
1/8	.125	3
5/32	.156	4
3/16	.188	5
7/32	.219	5.5
1/4	.25	6
9/32	.281	7
5/16	.313	8
11/32	.344	9
3/8	.375	9.5
13/32	.406	10
7/16	.438	11
15/32	.469	12
1/2	.5	13
17/32	.531	13.5
9/16	.563	14
19/32	.594	15
5/8	.625	16
21/32	.656	17
11/16	.688	17.5
23/32	.719	18
3/4	.75	19
25/32	.781	20
13/16	.813	20.5
27/32	.844	21
7/8	.875	22
29/32	.906	23
15/16	.938	24
31/32	.969	24.5
1	1	25.4

Blum, Inc.
 800-438-6788
 sales.us@blum.com
 blum.com