

10" Contractor's Saw

(Models 36-978, 36-979)



MODEL 36-979 SHOWN
WITH MODEL 36-B30
FENCE SYSTEM

PART NO. A13253 - 09-15-05 Rev. B
Copyright © 2005 Delta Machinery



To learn more about DELTA MACHINERY
visit our website at: www.deltamachinery.com.

For Parts, Service, Warranty or other Assistance,

please call **1-800-223-7278** (In Canada call **1-800-463-3582**).

ESPAÑOL: PÁGINA 37
FRANÇAISE : PAGE 73

TABLE OF CONTENTS

IMPORTANT SAFETY INSTRUCTIONS.....	2
SAFETY GUIDELINES.....	3
TOOL WARNING LABELS	3
GENERAL SAFETY RULES	4
ADDITIONAL SPECIFIC SAFETY RULES	5
FUNCTIONAL DESCRIPTION	8
CARTON CONTENTS	8
ASSEMBLY	10
OPERATION	21
TROUBLESHOOTING.....	33
MAINTENANCE.....	35
SERVICE	36
ACCESSORIES	36
WARRANTY.....	36
ESPAÑOL.....	37
FRANÇAIS.....	73

IMPORTANT SAFETY INSTRUCTIONS

▲ WARNING Read and understand all warnings and operating instructions before using any tool or equipment. When using tools or equipment, basic safety precautions should always be followed to reduce the risk of personal injury. Improper operation, maintenance or modification of tools or equipment could result in serious injury and property damage. There are certain applications for which tools and equipment are designed. Delta Machinery strongly recommends that this product NOT be modified and/or used for any application other than for which it was designed.

If you have any questions relative to its application DO NOT use the product until you have written Delta Machinery and we have advised you.

Online contact form at www.deltamachinery.com

Postal Mail: Technical Service Manager
Delta Machinery
4825 Highway 45 North
Jackson, TN 38305

(IN CANADA: 125 Mural St. Suite 300, Richmond Hill, ON, L4B 1M4)

Information regarding the safe and proper operation of this tool is available from the following sources:

Power Tool Institute
1300 Sumner Avenue, Cleveland, OH 44115-2851
www.powertoolinstitute.org

National Safety Council
1121 Spring Lake Drive, Itasca, IL 60143-3201

American National Standards Institute, 25 West 43rd Street, 4 floor, New York, NY 10036 www.ansi.org
ANSI 01.1 Safety Requirements for Woodworking Machines, and

the U.S. Department of Labor regulations www.osha.gov

SAVE THESE INSTRUCTIONS!

SAFETY GUIDELINES

It is important for you to read and understand this manual. The information it contains relates to protecting YOUR SAFETY and PREVENTING PROBLEMS. The symbols below are used to help you recognize this information.

- ⚠ DANGER** Indicates an imminently hazardous situation which, if not avoided, will result in death or serious injury.
- ⚠ WARNING** Indicates a potentially hazardous situation which, if not avoided, could result in death or serious injury.
- ⚠ CAUTION** Indicates a potentially hazardous situation which, if not avoided, may result in minor or moderate injury.
- CAUTION** Used without the safety alert symbol indicates potentially hazardous situation which, if not avoided, may result in property damage.

CALIFORNIA PROPOSITION 65

⚠ WARNING **SOME DUST CREATED BY POWER SANDING, SAWING, GRINDING, DRILLING, AND OTHER CONSTRUCTION ACTIVITIES** contains chemicals known to cause cancer, birth defects or other reproductive harm. Some examples of these chemicals are:

- lead from lead-based paints,
- crystalline silica from bricks and cement and other masonry products, and
- arsenic and chromium from chemically-treated lumber.

Your risk from these exposures varies, depending on how often you do this type of work. To reduce your exposure to these chemicals: work in a well ventilated area, and work with approved safety equipment, always wear **NIOSH/OSHA** approved, properly fitting face mask or respirator when using such tools.

TOOL WARNING LABELS

Before use, read the warning labels located on the saw. Also read any warning labels that are included with the fence installed on the saw. If the warning labels identified below are illegible or missing from the saw, contact Delta Customer Service for free replacements. (The contact information is listed in the "**SERVICE**" section of this manual.)

⚠ WARNING	⚠ ADVERTENCIA	⚠ AVERTISSEMENT
<p>FOR YOUR OWN SAFETY</p> <ol style="list-style-type: none"> 1. READ AND UNDERSTAND INSTRUCTION MANUAL BEFORE OPERATING TABLE SAW. 2. Always wear eye protection. 3. Always use blade guard and splitter for every operation for which it can be used including all through sawing. 4. Keep hands out of path of the line of the saw blade. 5. Use push stick when required. 6. Do not perform any operation free hand. Use fence when ripping and miter gauge when cross-cutting. Never use the miter gauge and rip fences together. 7. Know how to avoid risk of kickback. 8. Never reach in back of or over saw blade. 9. Do not remove jammed or cut-off pieces until blade has stopped. 10. Disconnect machine from power source before making repairs or adjustments. 11. Do not expose to rain or use in damp locations. 12. When using this tool, do not wear gloves, neckties, jewelry or loose clothing. 13. Wear protective hair covering to contain long hair. 14. Tighten the blade arbor nut securely before operating. 15. Do not use the machine when you are tired or under the influence of drugs, alcohol, or medication. 16. Do not operate saw with the foot lever casted in the down position. 17. Failure to follow these safety rules may result in serious personal injury. 	<p>PARA SU PROPIA SEGURIDAD</p> <ol style="list-style-type: none"> 1. LEA Y COMPRENDA EL MANUAL DE INSTRUCCIONES ANTES DE UTILIZAR LA SIERRA DE MESA. 2. Siempre utilice protección para los ojos. 3. Utilice siempre el ensamblaje del protector de la hoja y el hendedor para cualquier operación en la que se pueda utilizar, incluidos todos los cortes con sierra. 4. Mantenga las manos alejadas del trayecto de la hoja de la sierra. 5. Utilice la vara para empujar cuando sea necesario. 6. No realice ninguna operación sin usar las manos. Utilice la púa de corte conjuntamente. 7. Sepa cómo evitar el riesgo de retrocesos. 8. Nunca se extienda para alcanzar algo detrás sobre la hoja de la sierra. 9. No retire piezas desechadas o cortadas hasta que la hoja se haya detenido. 10. Desconecte la máquina de la fuente de energía antes de realizar reparaciones o ajustes. 11. No exponga a la lluvia ni utilice en lugares húmedos. 12. No utilice guantes, corbatas alhajas ni ropa holgada cuando use esta herramienta. 13. Si tiene el cabello largo, recójalo y cúbralo. 14. Ajuste bien la tuerca de eje de la hoja antes de operar la sierra. 15. No utilice la máquina si está cansado, o bajo el efecto de drogas, alcohol o medicamentos. 16. No opere la sierra cuando la rueda de la pata niveladora esté en la posición hacia abajo. 17. El incumplimiento de estas normas de seguridad puede provocar daños personales graves. 	<p>POUR VOTRE PROPRE SÉCURITÉ</p> <ol style="list-style-type: none"> 1. BIEN LIRE ET COMPRENDRE LE MODE D'EMPLOI AVANT D'UTILISER LE BANC DE SCIE. 2. Toujours porter une protection oculaire. 3. Toujours utiliser un pare-main et un couteau séparateur pour toutes les opérations demandant son utilisation, y compris tout débitage complet. 4. Garder les mains hors de la trajectoire de la lame de la scie. 5. Utiliser un poussoir au besoin. 6. Effectuer toute opération en tenant l'outil des deux mains. Utiliser le guide longitudinal pour le sciage en long et la jauge à onglet pour le tronçonnage. Ne jamais utiliser ni jauge à onglet et le guide longitudinal en même temps. 7. Connaître les techniques pour empêcher le risque associé à l'effet de rebond. 8. Ne jamais passer les mains à l'arrière ou au-dessus de la lame de la scie. 9. Ne pas retirer les pièces coupées ou coincées avant l'arrêt complet de la lame. 10. Débrancher la machine de la source d'alimentation avant d'effectuer des réparations ou des ajustages. 11. Ne pas exposer la scie à la pluie et ne pas l'utiliser dans un endroit humide. 12. Lors de l'utilisation de cet outil, ne pas porter ni gant, ni cravates, ni bijoux ou vêtements amples. 13. Se couvrir les cheveux s'ils sont longs. 14. Serrer solidement l'écrou d'axe de la lame avant de l'utiliser. 15. Ne pas utiliser la machine en cas de fatigue ou sous l'influence de drogues, d'alcool ou de médicaments. 16. Ne pas utiliser la scie avec la commande à pieds des roulettes en position basse. 17. Éviter de mettre tous ces règles de sécurité sous entra.

⚠ WARNING	⚠ ADVERTENCIA	⚠ AVERTISSEMENT
<p>TO PREVENT KICKBACK, USE THE BLADE GUARD AND SPLITTER FOR ALL THROUGH SAWING. KEEP HANDS OUT OF THE LINE OF THE SAWBLADE. USE A PUSHSTICK AND FEATHERBOARDS WHEN REQUIRED.</p>	<p>PARA PREVENIR EL RETROCESO, UTILICE EL PROTECTOR DE LA HOJA Y EL HENDEDOR PARA TODOS LOS CORTES CON SIERRA. MANTENGA LAS MANOS ALEJADAS DEL TRAYECTO DE LA HOJA DE LA SIERRA. UTILICE LA VARA PARA EMPUJAR Y TABLAS DE CANTO BISELADO CUANDO SEA NECESARIO.</p>	<p>POUR EMPÊCHER TOUT EFFET DE REBOND, UTILISER LE PARE-MAIN ET LE COUTEAU SÉPARATEUR POUR TOUT DÉBITAGE COMPLET. GARDER LES MAINS HORS DE LA TRAJECTOIRE DE LA LAME DE LA SCIE. UTILISER UN POUSSOIR ET DES PLANCHES EN ÉVENTAIL AU BESOIN.</p>

GENERAL SAFETY RULES



⚠ WARNING READ AND UNDERSTAND ALL WARNINGS AND OPERATING INSTRUCTIONS BEFORE USING THIS EQUIPMENT. Failure to follow all instructions listed below, may result in electric shock, fire, and/or serious personal injury or property damage.

IMPORTANT SAFETY INSTRUCTIONS

- FOR YOUR OWN SAFETY, READ THE INSTRUCTION MANUAL BEFORE OPERATING THE MACHINE.** Learning the machine's application, limitations, and specific hazards will greatly minimize the possibility of accidents and injury.
- WEAR EYE AND HEARING PROTECTION. ALWAYS USE SAFETY GLASSES.** Everyday eyeglasses are NOT safety glasses. USE CERTIFIED SAFETY EQUIPMENT. Eye protection equipment should comply with ANSI Z87.1 standards. Hearing equipment should comply with ANSI S3.19 standards.
- WEAR PROPER APPAREL.** Do not wear loose clothing, gloves, neckties, rings, bracelets, or other jewelry which may get caught in moving parts. Nonslip protective footwear is recommended. Wear protective hair covering to contain long hair.
- DO NOT USE THE MACHINE IN A DANGEROUS ENVIRONMENT.** The use of power tools in damp or wet locations or in rain can cause shock or electrocution. Keep your work area well-lit to prevent tripping or placing arms, hands, and fingers in danger.
- MAINTAIN ALL TOOLS AND MACHINES IN PEAK CONDITION.** Keep tools sharp and clean for best and safest performance. Follow instructions for lubricating and changing accessories. Poorly maintained tools and machines can further damage the tool or machine and/or cause injury.
- CHECK FOR DAMAGED PARTS.** Before using the machine, check for any damaged parts. Check for alignment of moving parts, binding of moving parts, breakage of parts, and any other conditions that may affect its operation. A guard or any other part that is damaged **should be properly repaired or replaced with Delta or factory authorized replacement parts.** Damaged parts can cause further damage to the machine and/or injury.
- KEEP THE WORK AREA CLEAN.** Cluttered areas and benches invite accidents.
- KEEP CHILDREN AND VISITORS AWAY.** Your shop is a potentially dangerous environment. Children and visitors can be injured.
- REDUCE THE RISK OF UNINTENTIONAL STARTING.** Make sure that the switch is in the "OFF" position before plugging in the power cord. In the event of a power failure, move the switch to the "OFF" position. An accidental start-up can cause injury. Do not touch the plug's metal prongs when unplugging or plugging in the cord.
- USE THE GUARDS.** Check to see that all guards are in place, secured, and working correctly to prevent injury.
- REMOVE ADJUSTING KEYS AND WRENCHES BEFORE STARTING THE MACHINE.** Tools, scrap pieces, and other debris can be thrown at high speed, causing injury.
- USE THE RIGHT MACHINE.** Don't force a machine or an attachment to do a job for which it was not designed. Damage to the machine and/or injury may result.
- USE RECOMMENDED ACCESSORIES.** The use of accessories and attachments not recommended by Delta may cause damage to the machine or injury to the user.
- USE THE PROPER EXTENSION CORD.** Make sure your extension cord is in good condition. When using an extension cord, be sure to use one heavy enough to carry the current your product will draw. An undersized cord will cause a drop in line voltage, resulting in loss of power and overheating. See the Extension Cord Chart for the correct size depending on the cord length and nameplate ampere rating. If in doubt, use the next heavier gauge. The smaller the gauge number, the heavier the cord.
- SECURE THE WORKPIECE.** Use clamps or a vise to hold the workpiece when practical. Loss of control of a workpiece can cause injury.
- FEED THE WORKPIECE AGAINST THE DIRECTION OF THE ROTATION OF THE BLADE, CUTTER, OR ABRASIVE SURFACE.** Feeding it from the other direction will cause the workpiece to be thrown out at high speed.
- DON'T FORCE THE WORKPIECE ON THE MACHINE.** Damage to the machine and/or injury may result.
- DON'T OVERREACH.** Loss of balance can make you fall into a working machine, causing injury.
- NEVER STAND ON THE MACHINE.** Injury could occur if the tool tips, or if you accidentally contact the cutting tool.
- NEVER LEAVE THE MACHINE RUNNING UNATTENDED. TURN THE POWER OFF.** Don't leave the machine until it comes to a complete stop. A child or visitor could be injured.
- TURN THE MACHINE "OFF", AND DISCONNECT THE MACHINE FROM THE POWER SOURCE** before installing or removing accessories, changing cutters, adjusting or changing set-ups. When making repairs, be sure to lock the start switch in the "OFF" position. An accidental start-up can cause injury.
- MAKE YOUR WORKSHOP CHILDPROOF WITH PADLOCKS, MASTER SWITCHES, OR BY REMOVING STARTER KEYS.** The accidental start-up of a machine by a child or visitor could cause injury.
- ⚠ WARNING STAY ALERT, WATCH WHAT YOU ARE DOING, AND USE COMMON SENSE. DO NOT USE THE MACHINE WHEN YOU ARE TIRED OR UNDER THE INFLUENCE OF DRUGS, ALCOHOL, OR MEDICATION.** A moment of inattention while operating power tools may result in injury.
- USE OF THIS TOOL CAN GENERATE AND DISBURSE DUST OR OTHER AIRBORNE PARTICLES, INCLUDING WOOD DUST, CRYSTALLINE SILICA DUST AND ASBESTOS DUST.** Direct particles away from face and body. Always operate tool in well ventilated area and provide for proper dust removal. Use dust collection system wherever possible. Exposure to the dust may cause serious and permanent respiratory or other injury, including silicosis (a serious lung disease), cancer, and death. Avoid breathing the dust, and avoid prolonged contact with dust. Allowing dust to get into your mouth or eyes, or lay on your skin may promote absorption of harmful material. Always use properly fitting NIOSH/OSHA approved respiratory protection appropriate for the dust exposure, and wash exposed areas with soap and water.

ADDITIONAL SPECIFIC SAFETY RULES

⚠ WARNING FAILURE TO FOLLOW THESE RULES MAY RESULT IN SERIOUS PERSONAL INJURY.

- DO NOT OPERATE THIS MACHINE** until it is **assembled and installed** according to the instructions.
- OBTAIN ADVICE FROM YOUR SUPERVISOR, instructor, or another qualified person** if you are not familiar with the operation of this machine.
- FOLLOW ALL WIRING CODES** and recommended electrical connections.
- ALWAYS USE GUARDS, SPLITTER, AND ANTI-KICKBACK PAWLS** whenever possible, including through sawing. Check to see that they are in place, secured and working correctly. Test the anti-kickback pawl action before ripping by pushing the wood under the anti-kickback teeth. The teeth must prevent the wood from being thrown toward the front of the saw.
- CUTTING THE WORKPIECE WITHOUT THE USE OF A FENCE OR MITER GAUGE IS KNOWN AS “FREEHAND” CUTTING. NEVER** perform “free-hand” operations. Use either the fence or miter gauge to position and guide the workpiece.
- HOLD THE WORKPIECE FIRMLY** against the miter gauge or fence.
- CUTTING COMPLETELY THROUGH THE WORK-PIECE IS KNOWN AS “THROUGH-SAWING”.** Ripping and cross-cutting are through-sawing operations. Cutting with the grain is ripping. Use a fence or fence system for ripping. NEVER use a miter gauge for ripping. Use push sticks for ripping a narrow workpiece. Cutting across the grain is cross-cutting. Never use a fence or fence system for cross-cutting. Instead, use a miter gauge.
- KICKBACK IS THE NATURAL TENDENCY OF THE WORKPIECE TO BE THROWN BACK AT THE OPERATOR** when the workpiece initially contacts the blade or if the workpiece pinches the blade. Kickback is dangerous and can result in serious injury.
AVOID KICKBACK by:
 - keeping blade sharp and free of rust and pitch.
 - keeping rip fence parallel to the saw blade.
 - using saw blade guard and splitter for every possible operation, including all through sawing.
 - keeping splitter aligned with sawblade.
 - keeping the anti-kickback pawls in place and sharpened.
 - pushing the workpiece past the saw blade prior to release.
 - never ripping a workpiece that is twisted or warped, or does not have a straight edge to guide along the fence.
 - using featherboards when the anti-kickback device or the guard and splitter cannot be used.
 - never sawing a large workpiece that cannot be controlled.
 - never using the fence as a guide when crosscutting.
 - never sawing a workpiece with loose knots, flaws, nails or other foreign objects.
 - never ripping a workpiece shorter than 10”.
- USE THE CORRECT SAWBLADE FOR THE INTENDED OPERATION.** The blade must rotate toward the front of the saw. Always tighten the blade arbor nut securely. Before use, inspect the blade for cracks or missing teeth. Do not use a damaged blade.
- NEVER USE ABRASIVE WHEELS** on this saw.
- DO NOT CUT METAL WITH THIS SAW.**
- REMOVE CUT-OFF PIECES AND SCRAPS** from the table before starting the saw. The vibration of the machine may cause them to move into the saw blade and be thrown out.
- CUT-OFF PIECES CAN BE THROWN BACK AT THE OPERATOR.** For large cut-off pieces, use a push stick to push the piece past the blade and off the back of the saw table. Do not reach across sawblade. Be careful that small pieces do not contact the blade.
- NEVER ATTEMPT TO FREE A STALLED SAW BLADE WITHOUT FIRST TURNING THE MACHINE OFF.** If a workpiece or cut-off piece becomes trapped inside the guard, turn saw off and wait for blade to stop before lifting the guard and removing the piece.
- NEVER START THE MACHINE** with the workpiece against the blade.
- NEVER** run the workpiece between the fence and a moulding cutterhead.
- KEEP ARMS, HANDS, AND FINGERS** away from the blade. Use a push stick to push small workpieces through the saw. A push stick is a small wooden stick, usually homemade, that should be used whenever the size or shape of the workpiece would cause you to place your hands within six inches of the blade. See “CONSTRUCTING A PUSH STICK” in the back of this manual for guidance on making your own.
- AVOID AWKWARD OPERATIONS AND HAND POSITIONS** where a sudden slip could cause a hand to move into the blade.
- NEVER** have any part of your body in line with the path of the saw blade.
- NEVER REACH AROUND** or over the saw blade.
- PROPERLY SUPPORT LONG (3 feet or longer) OR WIDE (36” or wider) WORKPIECES.** If extension tables wider than 24” are attached to the saw, bolt the saw stand to the floor, or use a sturdy outrigger support to prevent tipping.
- PREVENT MOTION OF THE SAW WHILE IN USE.** If the mobility kit is installed, lower the foot pedal and level the feet so the saw does not rock, walk, slide or tip. If necessary, secure the stand to the floor.
- NEVER PERFORM LAYOUT, assembly or set-up work** on the table/work area when the machine is running.
- TURN THE MACHINE “OFF” AND DISCONNECT THE MACHINE** from the power source before installing or removing accessories, changing the sawblade, or adjusting or changing set-ups. Lock switch in the “OFF” position when making repairs.
- CLEAN THE TABLE/WORK AREA BEFORE LEAVING THE MACHINE.** Lock the switch in the “OFF” position to prevent unauthorized use.
- ADDITIONAL INFORMATION** regarding the safe and proper operation of power tools (i.e. a safety video) is available from the Power Tool Institute, 1300 Sumner Avenue, Cleveland, OH 44115-2851 (www.powertoolinstitute.com). Information is also available from the National Safety Council, 1121 Spring Lake Drive, Itasca, IL 60143-3201. Please refer to the American National Standards Institute ANSI 01.1 Safety Requirements for Woodworking Machines and the U.S. Department of Labor OSHA 1910.213 Regulations.

⚠ WARNING **SOME MATERIALS ARE TOO HARD AND SLIPPERY FOR THE ANTI-KICKBACK PAWLS TO BE EFFECTIVE.** Plastic and compositions (like hardboard) may be cut on your saw, but be especially attentive to following proper set-up and cutting procedures to prevent any kickbacks when cutting these materials.

SAVE THESE INSTRUCTIONS. Refer to them often and use them to instruct others.

POWER CONNECTIONS

A separate electrical circuit should be used for your machines. This circuit should not be less than #12 wire and should be protected with a 20 Amp time lag fuse. If an extension cord is used, use only 3-wire extension cords which have 3-prong grounding type plugs and matching receptacle which will accept the machine's plug. Before connecting the machine to the power line, make sure the switch (s) is in the "OFF" position and be sure that the electric current is of the same characteristics as indicated on the machine. All line connections should make good contact. Running on low voltage will damage the machine.

⚠ DANGER DO NOT EXPOSE THE MACHINE TO RAIN OR OPERATE THE MACHINE IN DAMP LOCATIONS.

MOTOR SPECIFICATIONS

Your machine is wired for 120/240 volts, 60 HZ alternating current. Before connecting the machine to the power source, make sure the switch is in the "OFF" position.

GROUNDING INSTRUCTIONS

⚠ DANGER THIS MACHINE MUST BE GROUNDED WHILE IN USE TO PROTECT THE OPERATOR FROM ELECTRIC SHOCK.

1. All grounded, cord-connected machines:

In the event of a malfunction or breakdown, grounding provides a path of least resistance for electric current to reduce the risk of electric shock. This machine is equipped with an electric cord having an equipment-grounding conductor and a grounding plug. The plug must be plugged into a matching outlet that is properly installed and grounded in accordance with all local codes and ordinances.

Do not modify the plug provided - if it will not fit the outlet, have the proper outlet installed by a qualified electrician.

Improper connection of the equipment-grounding conductor can result in risk of electric shock. The conductor with insulation having an outer surface that is green with or without yellow stripes is the equipment-grounding conductor. If repair or replacement of the electric cord or plug is necessary, do not connect the equipment-grounding conductor to a live terminal.

Check with a qualified electrician or service personnel if the grounding instructions are not completely understood, or if in doubt as to whether the machine is properly grounded.

Use only 3-wire extension cords that have 3-prong grounding type plugs and matching 3-conductor receptacles that accept the machine's plug, as shown in Fig. A. Repair or replace damaged or worn cord immediately.

2. Grounded, cord-connected machines intended for use on a supply circuit having a nominal rating less than 150 volts:

If the machine is intended for use on a circuit that has an outlet that looks like the one illustrated in Fig. A, the machine will have a grounding plug that looks like the plug illustrated in Fig. A. A temporary adapter, which looks like the adapter illustrated in Fig. B, may be used to connect this plug to a matching 2-conductor receptacle as shown in Fig. B if a properly grounded outlet is not available. The temporary adapter should be used only until a properly grounded outlet can be installed by a qualified electrician. The green-colored rigid ear, lug, and the like, extending from the adapter must be connected to a permanent ground such as a properly grounded outlet box. When ever the adapter is used, it must be held in place with a metal screw.

NOTE: In Canada, the use of a temporary adapter is not permitted by the Canadian Electric Code.

⚠ DANGER IN ALL CASES, MAKE CERTAIN THAT THE RECEPTACLE IN QUESTION IS PROPERLY GROUNDED. IF YOU ARE NOT SURE, HAVE A QUALIFIED ELECTRICIAN CHECK THE RECEPTACLE.

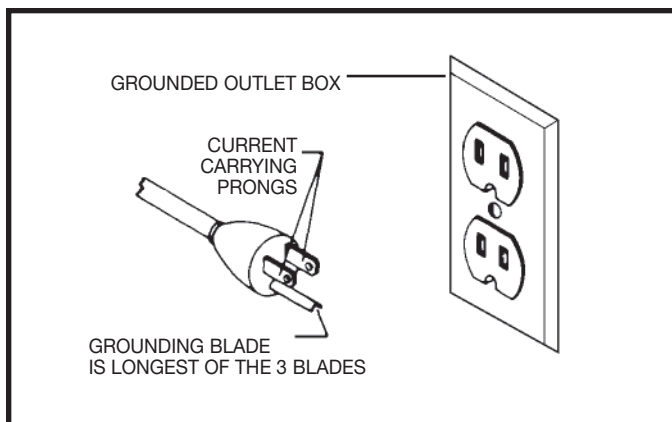


Fig. A

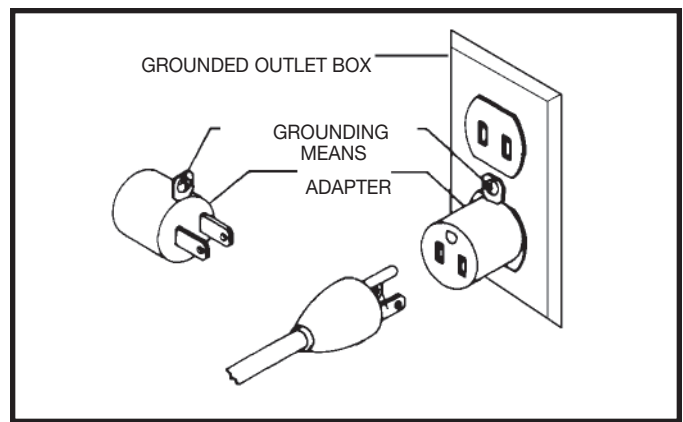


Fig. B

3. 240 VOLT SINGLE PHASE OPERATION

The motor supplied with your machine is a dual voltage, 120/240 volt motor. It is shipped ready-to-run for 120 volt operation. However, it can be converted for 240 volt operation.

A qualified electrician should do the conversion, or the machine can be taken to an Authorized Delta Service Center. When completed, the machine must conform to the National Electric Code and all local codes and ordinances.

The machine is converted by re-wiring the motor for 240 volts, installing a 240 volt plug on the power supply cord and replacing the switch (if necessary) with one that is rated for 240 volt operation.

Be sure the 240 volt plug is only used in an outlet having the same configuration as the plug illustrated in Fig. C. No adapter should be used with the 240 volt plug.

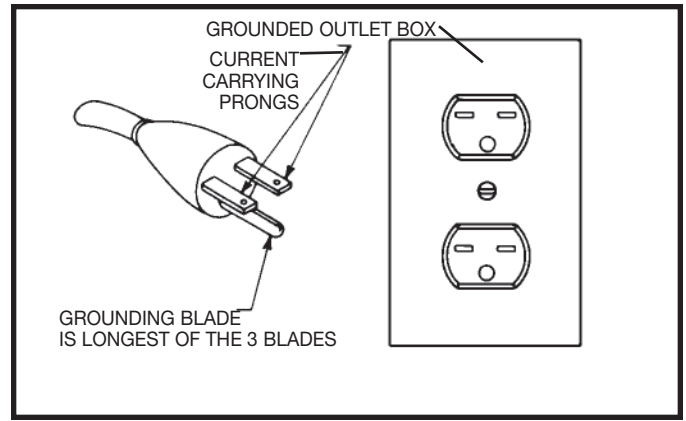


Fig. C

⚠ DANGER IN ALL CASES, MAKE CERTAIN THAT THE RECEPTACLE IN QUESTION IS PROPERLY GROUNDED. IF YOU ARE NOT SURE, HAVE A QUALIFIED ELECTRICIAN CHECK THE RECEPTACLE.

EXTENSION CORDS

⚠ WARNING USE PROPER EXTENSION CORDS. MAKE SURE YOUR EXTENSION CORD IS IN GOOD CONDITION AND IS A 3-WIRE EXTENSION CORD WHICH HAS A 3-PRONG GROUNDING TYPE PLUG AND MATCHING RECEPTACLE WHICH WILL ACCEPT THE MACHINE'S PLUG. WHEN USING AN EXTENSION CORD, BE SURE TO USE ONE HEAVY ENOUGH TO CARRY THE CURRENT OF THE MACHINE. AN UNDERSIZED CORD WILL CAUSE A DROP IN LINE VOLTAGE, RESULTING IN LOSS OF POWER AND OVERHEATING. FIG. D-1 OR D-2, SHOWS THE CORRECT GAUGE TO USE DEPENDING ON THE CORD LENGTH. IF IN DOUBT, USE THE NEXT HEAVIER GAUGE. THE SMALLER THE GAUGE NUMBER, THE HEAVIER THE CORD.

MINIMUM GAUGE EXTENSION CORD			
RECOMMENDED SIZES FOR USE WITH STATIONARY ELECTRIC MACHINES			
Ampere Rating	Volts	Total Length of Cord in Feet	Gauge of Extension Cord
0-6	120	up to 25	18 AWG
0-6	120	25-50	16 AWG
0-6	120	50-100	16 AWG
0-6	120	100-150	14 AWG
6-10	120	up to 25	18 AWG
6-10	120	25-50	16 AWG
6-10	120	50-100	14 AWG
6-10	120	100-150	12 AWG
10-12	120	up to 25	16 AWG
10-12	120	25-50	16 AWG
10-12	120	50-100	14 AWG
10-12	120	100-150	12 AWG
12-16	120	up to 25	14 AWG
12-16	120	25-50	12 AWG
12-16	120	GREATER THAN 50 FEET NOT RECOMMENDED	

Fig. D-1

MINIMUM GAUGE EXTENSION CORD			
RECOMMENDED SIZES FOR USE WITH STATIONARY ELECTRIC MACHINES			
Ampere Rating	Volts	Total Length of Cord in Feet	Gauge of Extension Cord
0-6	240	up to 50	18 AWG
0-6	240	50-100	16 AWG
0-6	240	100-200	16 AWG
0-6	240	200-300	14 AWG
6-10	240	up to 50	18 AWG
6-10	240	50-100	16 AWG
6-10	240	100-200	14 AWG
6-10	240	200-300	12 AWG
10-12	240	up to 50	16 AWG
10-12	240	50-100	16 AWG
10-12	240	100-200	14 AWG
10-12	240	200-300	12 AWG
12-16	240	up to 50	14 AWG
12-16	240	50-100	12 AWG
12-16	240	GREATER THAN 100 FEET NOT RECOMMENDED	

Fig. D-2

FUNCTIONAL DESCRIPTION

FOREWORD

Delta Models 36-978 and 36-979 are left-tilting 10" contractor saws with a built-in mobility kit. The saws have a powerful 1½ HP induction motor which can handle tough cutting operations. The 36-978 comes with sheet metal wings and the 36-979 comes with cast iron wings.

⚠ WARNING A RIP FENCE ASSEMBLY IS NOT PACKAGED WITH THE PRODUCT. YOU **MUST** INSTALL AND USE A RIP FENCE SYSTEM FOR RIPPING OPERATIONS. SEE THE SECTION "ACCESSORIES" FOR AVAILABLE FENCE SYSTEMS.

NOTICE: The photo on the manual cover illustrates the current production model. All other illustrations contained in the manual are representative only and may not depict the actual labeling or accessories included. These are intended to illustrate technique only.

CARTON CONTENTS

TABLE SAW PARTS

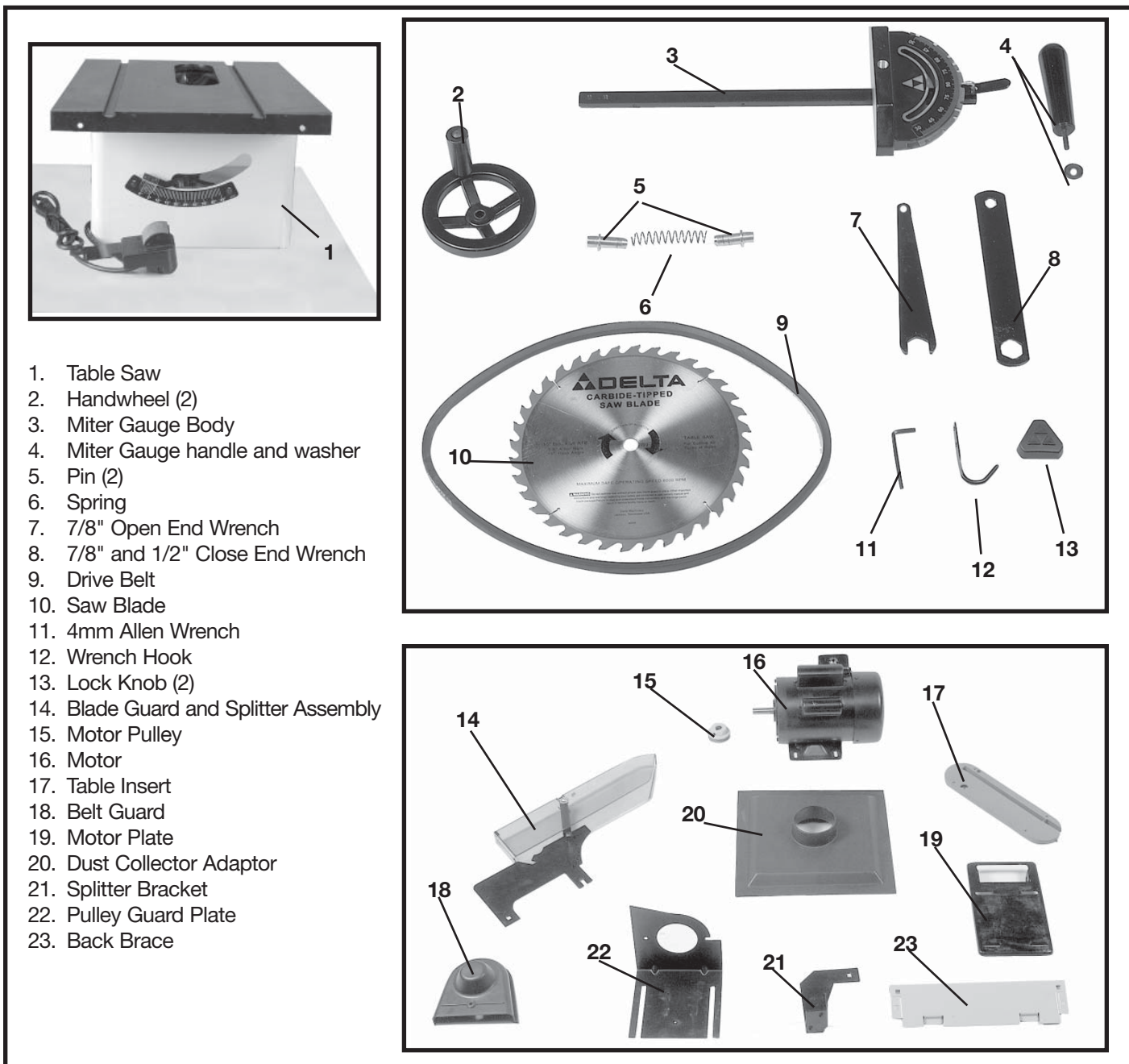


Fig. 1

EXTENSION WINGS

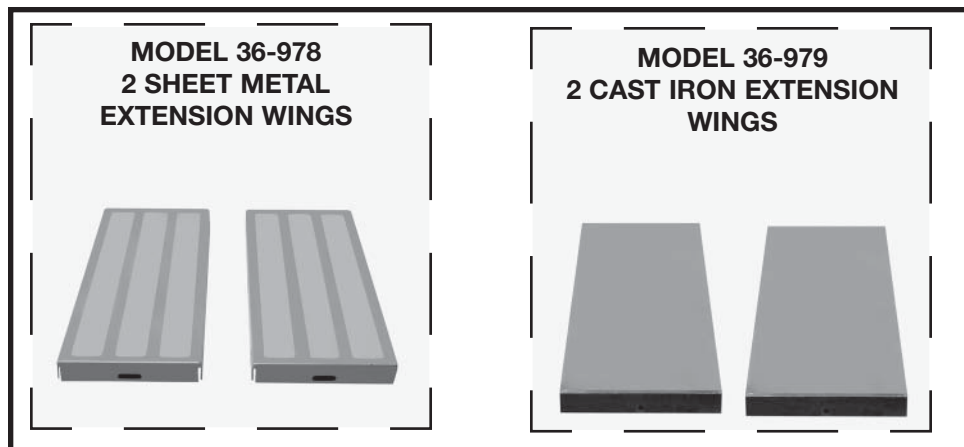


Fig. 2

STAND AND MOBILE BASE PARTS

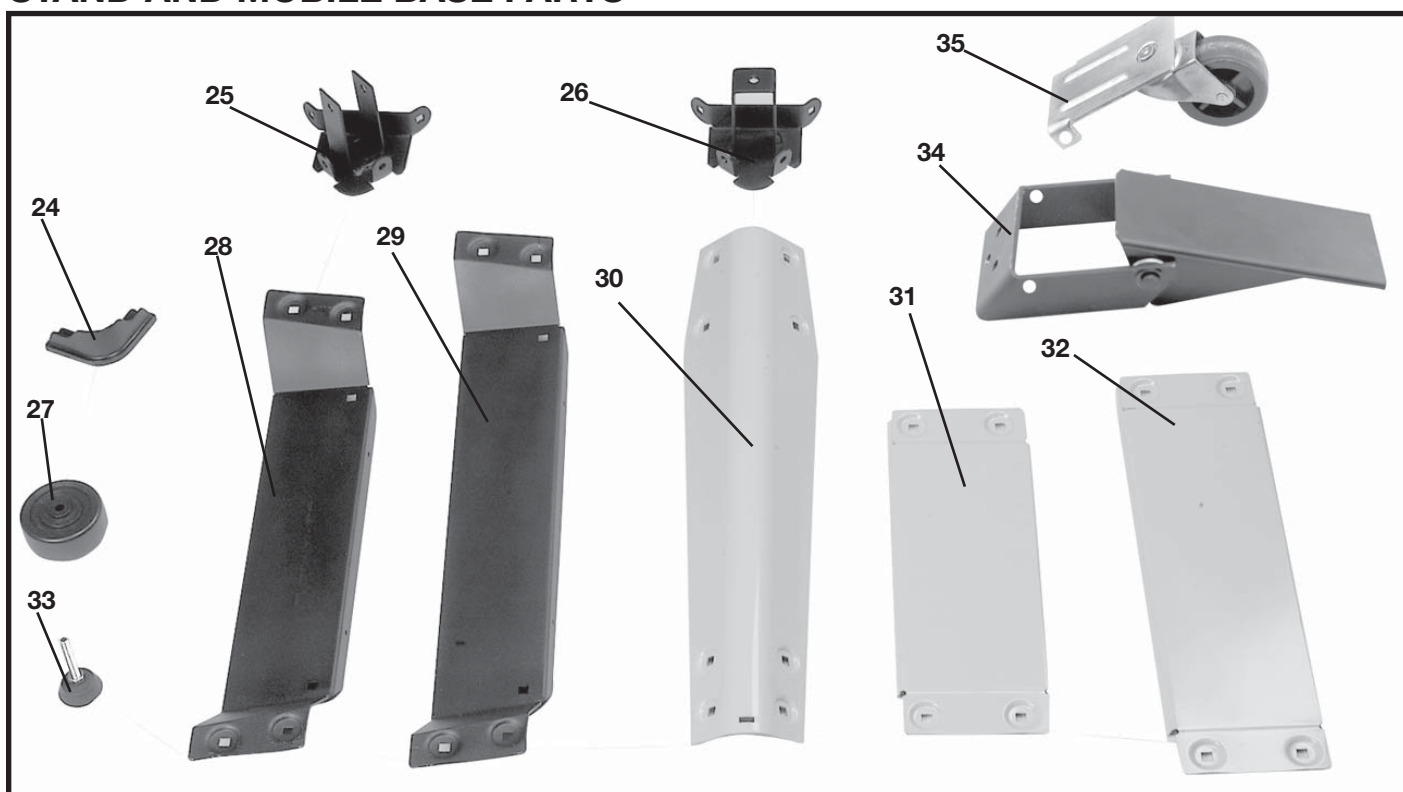


Fig. 3

- 24. Plastic Foot (4)
- 25. Corner Bracket (left side)
- 26. Corner Bracket (right side)
- 27. Wheel (2)
- 28. Short Side Leg Support (2)
- 29. Long Side Leg Support (2)
- 30. Leg (4)
- 31. Short Panels For Back and Front (2)
- 32. Long Panels for Sides (2)
- 33. Leveling Feet (2)
- 34. Foot Lever Assembly
- 35. Caster Assembly

HARDWARE

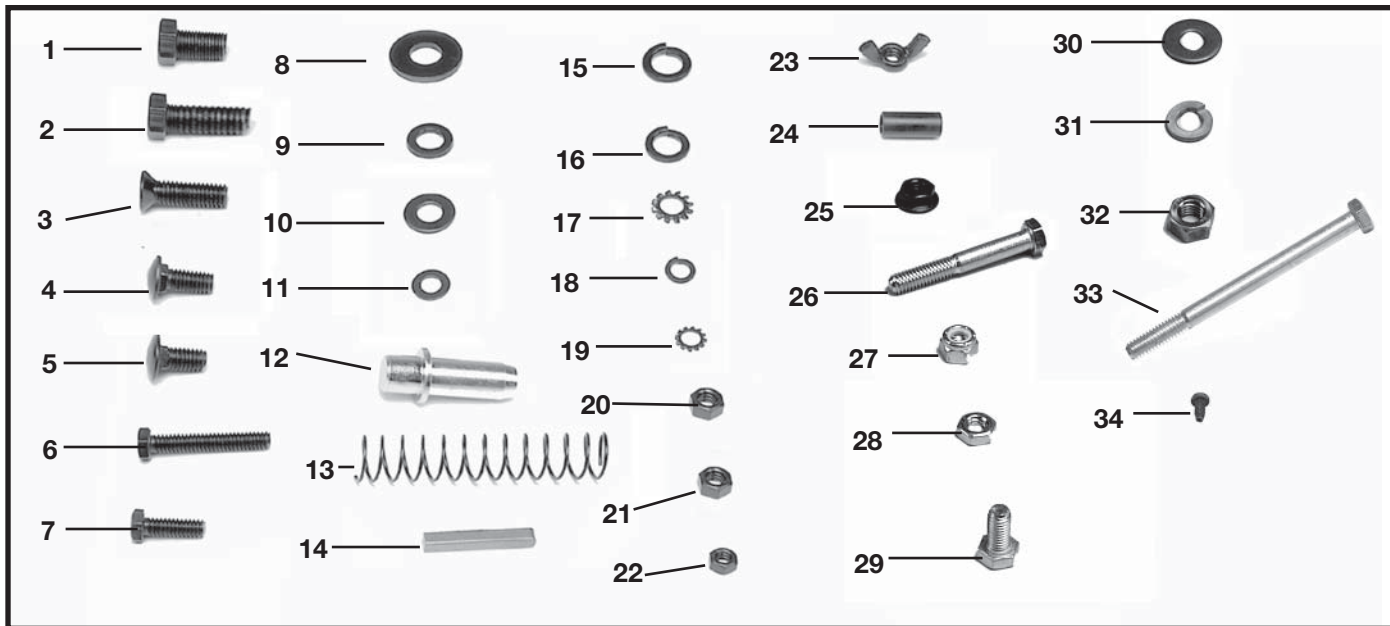


Fig. 4

1. $\frac{7}{16}$ -20 x $\frac{3}{4}$ " Hex Head Screw (6) (For Sheet Metal)
2. $\frac{7}{16}$ -20 x $1\frac{1}{4}$ " Hex Head Screw (6) (For Cast Iron)
3. $\frac{3}{8}$ -16 x $1\frac{1}{2}$ " Flat Head Screw (1)
4. $\frac{5}{16}$ -18 x $\frac{3}{4}$ " Carriage Head Screw (12)
5. $\frac{5}{16}$ -18 x $\frac{5}{8}$ " Carriage Head Screw (42)
6. $\frac{1}{4}$ -20 x $1\frac{1}{2}$ " Hex Head Screw (1)
7. $\frac{1}{4}$ -20 x $\frac{3}{4}$ " Hex Head Screw (2)
8. $\frac{7}{16}$ " Flat Washer (6)
9. $\frac{3}{8}$ " Flat Washer (1)
10. $\frac{5}{16}$ " Flat Washer (37)
11. $\frac{1}{4}$ " Flat Washer (3)
12. Pin (2)
13. Spring (1)
14. Motor Pulley Key (1)
15. $\frac{7}{16}$ " Lockwasher (6)
16. $\frac{3}{8}$ " Lockwasher (1)
17. $\frac{5}{16}$ " External Tooth Lockwasher (4)
18. $\frac{1}{4}$ " Lockwasher (2)
19. $\frac{1}{4}$ " External Tooth Lockwasher (2)
20. $\frac{5}{16}$ -18 Hex Nut (5)
21. $\frac{3}{8}$ -16 Hex Nut (1)
22. $\frac{1}{4}$ -20 Hex Nut (1)
23. $\frac{1}{4}$ -20 Wing Nut (1)
24. Spacer (1)
25. $\frac{5}{16}$ -18 Serrated Hex Nut (42)
26. $\frac{5}{16}$ -18 x $2\frac{1}{4}$ " Hex Head Cap Screw (2)
27. $\frac{5}{16}$ -18 Nylok Nut (3)
28. $\frac{5}{16}$ -18 Hex Jam Nut (4)
29. M8 x 20 Hex Head Screw
30. M8 Flat Washer (6)
31. M8 Lock Washer (3)
32. M8 Hex Nut (3)
33. $\frac{5}{16}$ -18 x 4" Hex Head Cap Screw (1)
34. M4 x 8mm Pan Head Cap Screw (2)

UNPACKING AND CLEANING

Carefully unpack the machine and all loose items from the shipping container(s). Remove the rust-preventative oil from unpainted surfaces using a soft cloth moistened with mineral spirits, paint thinner or denatured alcohol.

CAUTION

DO NOT USE HIGHLY VOLATILE SOLVENTS SUCH AS GASOLINE, NAPHTHA, ACETONE OR LACQUER THINNER FOR CLEANING YOUR SAW.

After cleaning, cover the unpainted surfaces with a good quality household floor paste wax.

ASSEMBLY

ASSEMBLY TOOLS REQUIRED

- * $\frac{7}{8}$ " Open End Wrench (supplied)
- * $\frac{7}{8}$ " and $1\frac{1}{2}$ " Close End Wrench (supplied)
- * 4mm Allen Wrench (supplied)
- * $\frac{1}{4}$ " Allen Wrench (not supplied)

* Socket or Open-End Wrenches, including 10mm, 12mm, 18mm, $\frac{1}{2}$ inch and $\frac{9}{16}$ inch (not supplied)

ASSEMBLY TIME ESTIMATE

Assembly for this machine takes approximately 4-6 hours.

⚠ WARNING FOR YOUR OWN SAFETY, DO NOT CONNECT MACHINE TO POWER SOURCE UNTIL MACHINE IS COMPLETELY ASSEMBLED AND YOU READ AND UNDERSTAND THE INSTRUCTION MANUAL.

MOBILE BASE AND STAND ASSEMBLY

The mobile base and stand should be put together upside down to ease assembly. To assemble the mobile base and stand:

FRONT AND SIDE PANELS

1. Insert a $\frac{5}{16}$ -18 x $\frac{5}{8}$ " Carriage Head Screw (A) Fig. 5 through the leg (B) and then corresponding hole in the panel (C) as shown in Fig. 5. **NOTE:** Make sure the squares of hex screw align with the flat sides of the hole opening.
2. Thread a $\frac{5}{16}$ -18 Serrated Hex Nut (D) around screw and finger tighten panel to leg, as shown in Fig. 6. Make sure the serrated face of the hex nut is against the panel. **NOTE:** HAND TIGHTEN ONLY FOR LATER ADJUSTMENTS.
3. Fig. 7 shows all four legs attached to the front and side panels. **NOTE:** Make sure short panels are opposite each other and that long panels are opposite each other.

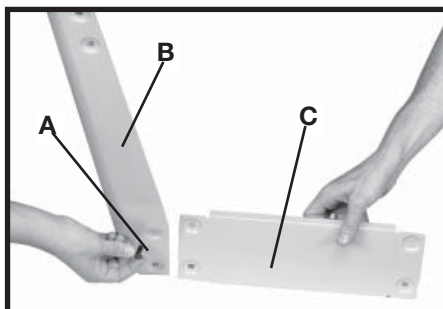


Fig. 5

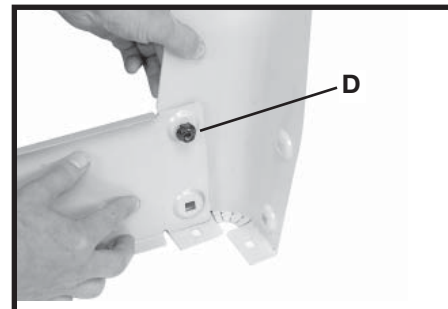


Fig. 6



Fig. 7

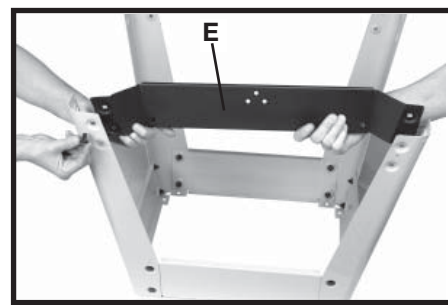


Fig. 8

SHORT AND LONG LEG SUPPORTS

4. Attach long side leg supports (E) Fig. 8 and short side leg supports to the legs using $\frac{5}{16}$ -18 x $\frac{5}{8}$ " Carriage Head Screws and $\frac{5}{16}$ -18 Serrated Hex Nuts. Insert the screw through the leg first and then the support. **NOTE:** Be sure the holes (J) Fig. 9 in all side supports will be aligned as shown after assembly.
5. Thread hex nut onto screw and finger tighten only. At this time, only assemble eight screws and eight nuts into holes - two of which are shown at (F) Fig. 9. Make sure these are the holes which will be on the bottom (after saw is turned right side up).

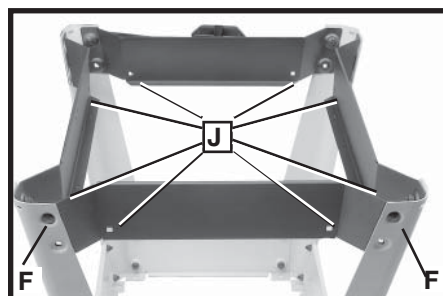


Fig. 9

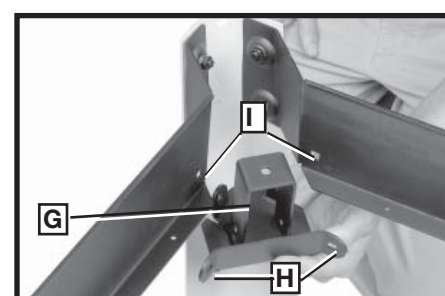


Fig. 10

CORNER BRACKETS

6. Take corner bracket (G) Fig. 10 with the closed end and align holes (H) with holes (I) in the leg supports. **NOTE: MAKE SURE THE CLOSED-END BRACKETS (G) ARE ATTACHED TO THE LONG LEG SUPPORT WHICH HAS THE THREE HOLES IN THE MIDDLE, AS SHOWN IN FIG.13.** It may be necessary to take a soft hammer (or a regular hammer and block of wood) to tap in the corner bracket to align holes, as in Fig. 11.
7. Once aligned, attach the corner bracket to the leg supports using the $\frac{5}{16}$ -18 x $\frac{5}{8}$ " Carriage Head Screws and $\frac{5}{16}$ -18 Serrated Hex Nuts. Insert screw through support and then the corner bracket at (K) Fig. 12. Thread hex nut onto screw and tighten.
8. Then attach leg to corner bracket using the longer $\frac{5}{16}$ -18 x $\frac{3}{4}$ " Carriage Head Screws and $\frac{5}{16}$ -18 Serrated Hex Nuts in two holes, one of which is at (L) Fig. 12.



Fig. 11

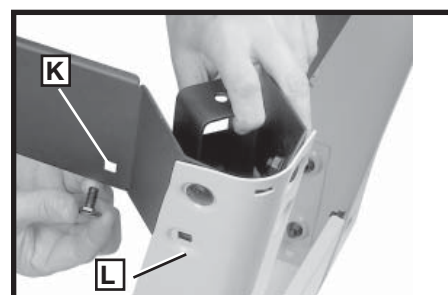


Fig. 12

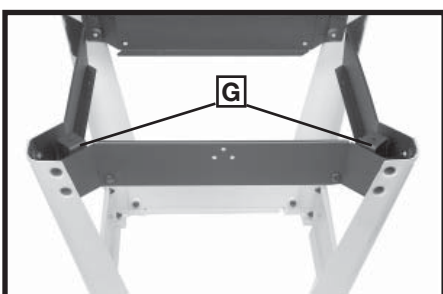


Fig. 13

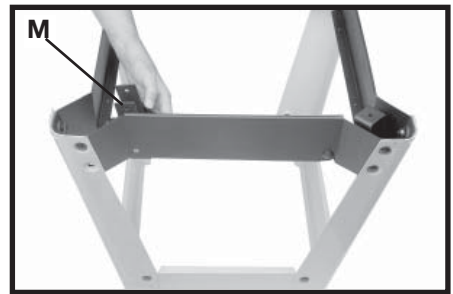


Fig. 14

9. Repeat for other similar corner bracket. These brackets, (G) Fig. 13 are where the rubber leveling feet will be installed.
10. The brackets with the open end, as shown at (M) Fig. 14, are attached in a similar manner as described in Steps 6 to 9. **NOTE: MAKE SURE THE OPEN END IS ALIGNED AS SHOWN IN FIGS. 14 AND 15. THE WHEELS WILL BE INSTALLED INSIDE THESE BRACKETS, AS SHOWN IN FIG. 20.**

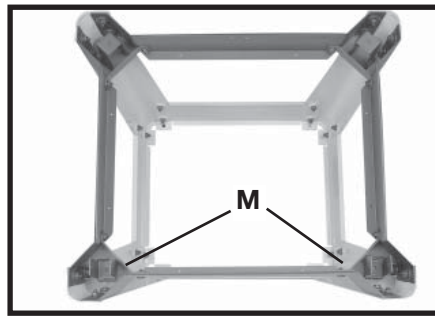


Fig. 15



Fig. 17

LEVELING FEET

11. Take leveling feet (shown at 33 in Fig. 3) and thread one $\frac{5}{16}$ -18 Hex Jam Nut all the way onto the screw post. Insert screw post into hole of enclosed corner bracket as shown in Fig. 17. Place another $\frac{5}{16}$ -18 Hex Jam Nut onto the post and tighten. Move hex nuts up or down post to adjust the height of the foot. Repeat for the other leveling foot.

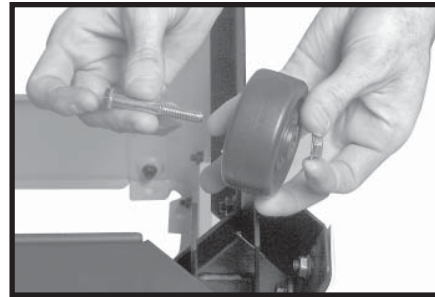


Fig. 18

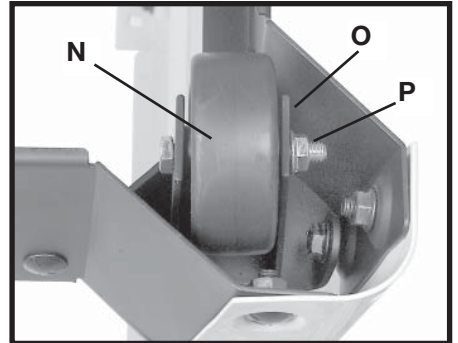


Fig. 19

WHEELS

12. Place a wheel (N) Fig. 19 in an open end bracket (O) Fig. 19. Insert a $\frac{5}{16}$ -18 x $2\frac{1}{4}$ " Hex Head Cap Screw (No. 26 in Fig. 4) through the bracket and the wheel. Fasten it together as shown in Fig. 19 with a $\frac{5}{16}$ -18 Nylok Nut (P).
13. Fig. 20 shows the leveling feet and the wheels properly assembled.
14. NOW, TIGHTEN ALL HARDWARE. Tighten panels first, and then leg supports.

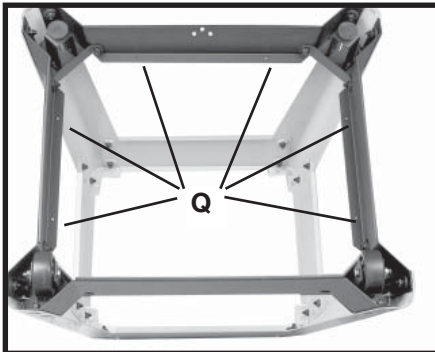


Fig. 20

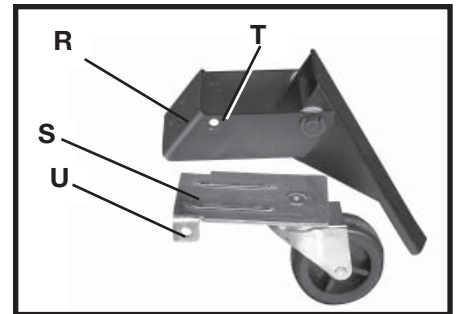


Fig. 21

ATTACHING FOOT LEVER ASSEMBLY TO BASE

The Foot Lever and Caster Assembly are assembled together by placing the Foot Lever (R) over the Caster Assembly (S) Fig. 21 and lining up the holes (T) and (U). Then, insert a $\frac{5}{16}$ -18 x 4" Hex Head Screw through hole (T) and fasten in place with a $\frac{5}{16}$ -18 Nylock Nut (V) Fig. 22.

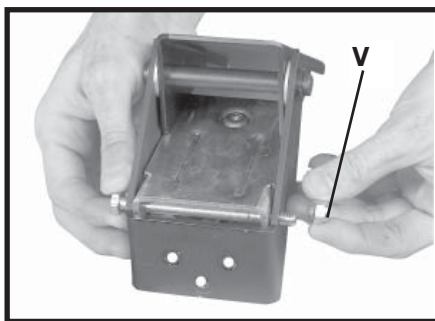


Fig. 22

Assemble the Foot Lever to the base by lining up the three holes in the Foot Lever (W) Fig. 23 with the three holes in the base (X) Fig. For each hole, place an M8 Flat Washer on an M8 x 20 Hex Head Screw and insert screw into hole. Then fasten to base by placing an M8 Flat Washer, M8 Lock Washer and M8 Hex Nut onto the screw and tighten.

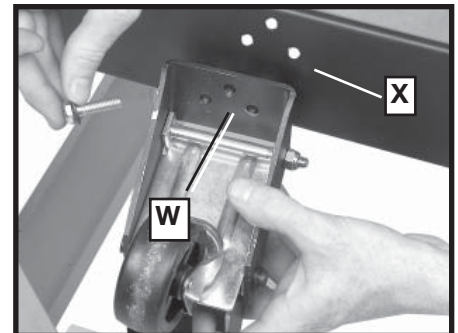


Fig. 23

PLASTIC FEET

Install the Plastic Feet (Y) Fig. 24 by placing them around radius at end of legs as shown. Tap the feet in place with a soft hammer or using a regular hammer and a block of wood.

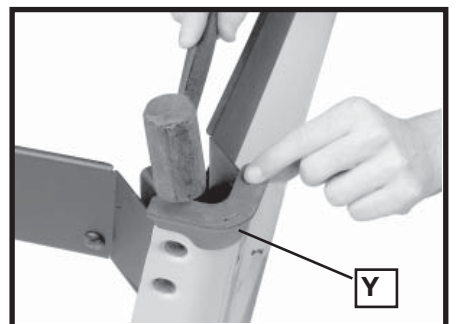


Fig. 24

ADDING AN OPTIONAL SHELF

If you desire, you can install a shelf made from a piece of $\frac{3}{4}$ -inch plywood measuring $22\frac{3}{8}$ " x $19\frac{1}{4}$ " (568.96 mm x 488.95 mm). To install, screw the wood to the leg supports through the (8) holes in the leg supports, six of which are shown at (Q) Fig. 20. When the saw is upside down (as in Fig. 20) the shelf would be placed underneath the overhangs of the leg supports. When the saw is flipped right-side up, the shelf would be on top of the leg support overhangs. To install the shelf, it will be necessary to remove one side panel. Make sure this panel is re-installed before using the saw. See exact measurements for shelf in the back of this manual.

DUST CHUTE AND BACK BRACE

CAUTION DO NOT INSTALL DUST CHUTE UNLESS A DUST COLLECTOR WILL BE USED.

To install the dust chute and back brace, place the saw unit upside down on the floor as shown in Fig. 25.

CAUTION PROTECT THE SAW'S TABLE TOP BY PLACING SOMETHING BETWEEN THE SAW AND THE FLOOR, SUCH AS A PIECE OF CARDBOARD, CARPET ETC.

To install dust chute (A) Fig. 25, slide it in as shown. Place back brace (B) with tabs (C) Fig. 25 below the chute edge as shown in Fig. 26. To fasten the back brace to the saw unit, place $\frac{5}{16}$ -18 x $\frac{5}{8}$ " Carriage Head Screws up from inside the saw cabinet through holes (E). Thread $\frac{5}{16}$ -18 Serrated Hex Nuts on the screws and tighten securely.

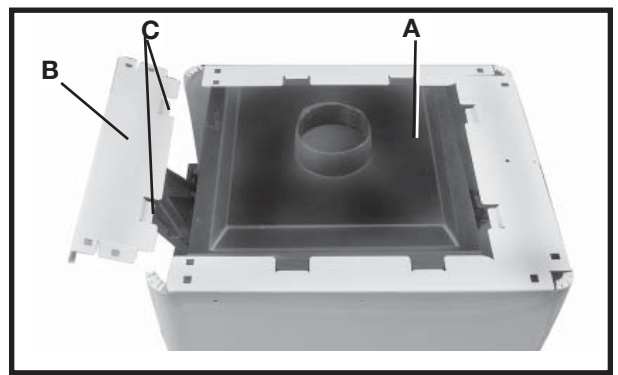


Fig. 25

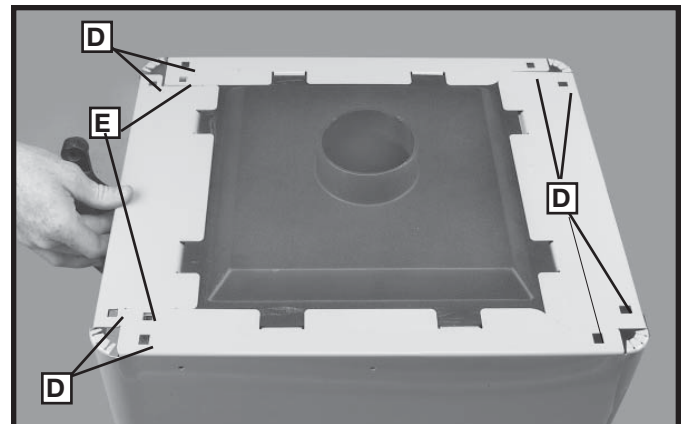


Fig. 26

MOBILE BASE AND STAND ASSEMBLY TO SAW

CAUTION TO PREVENT PERSONAL INJURY OR DAMAGE TO THE MACHINE, ASSEMBLE THE STAND TO THE SAW AS FOLLOWS:

1. With the saw already upside down from installing the dust chute and back brace, place the mobile base and stand assembly on top of the upside-down saw and align the eight holes in the legs (two of which are shown at (A) Fig. 27) with the eight holes (D) Fig. 26.

NOTE: Make certain the shorter panel with the Delta nameplate is on the front of the saw next to the scale and pointer.

2. In the holes (D) Fig. 26, place a $\frac{5}{16}$ -18 x $\frac{5}{8}$ " Carriage Head Screw up from inside the saw cabinet and then through the legs. Thread a $\frac{5}{16}$ -18 Serrated Hex Nut on the screw and tighten securely. Repeat for all eight holes.

3. **CAUTION** WITH A MINIMUM OF TWO PEOPLE, CAREFULLY TURN THE SAW AND STAND UPRIGHT AS SHOWN IN FIG. 28.

4. To make sure the table is level, kick up the foot pedal (C) Fig. 28 to disengage the mobile base. Check to see if table is level. If not, make adjustments to the leveling feet as described in "LEVELING FEET" section on the previous page. To raise saw onto the wheels, push down on foot pedal.

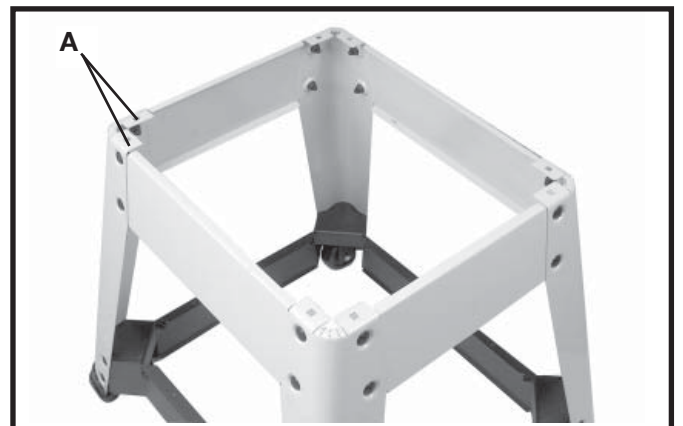


Fig. 27



Fig. 28

BLADE TILTING AND RAISING HANDWHEEL

1. Place blade tilting handwheel (A) Fig. 29, onto shaft (B). Make certain slot (C) in handwheel is engaged with roll pin (D) on the shaft.
2. Place a 10mm Nylon Flat Washer (E) onto shaft (B) and then thread locking knob (F), onto the shaft.
3. Assemble the blade raising handwheel (G) Fig. 30, to the front of the saw in the same manner.

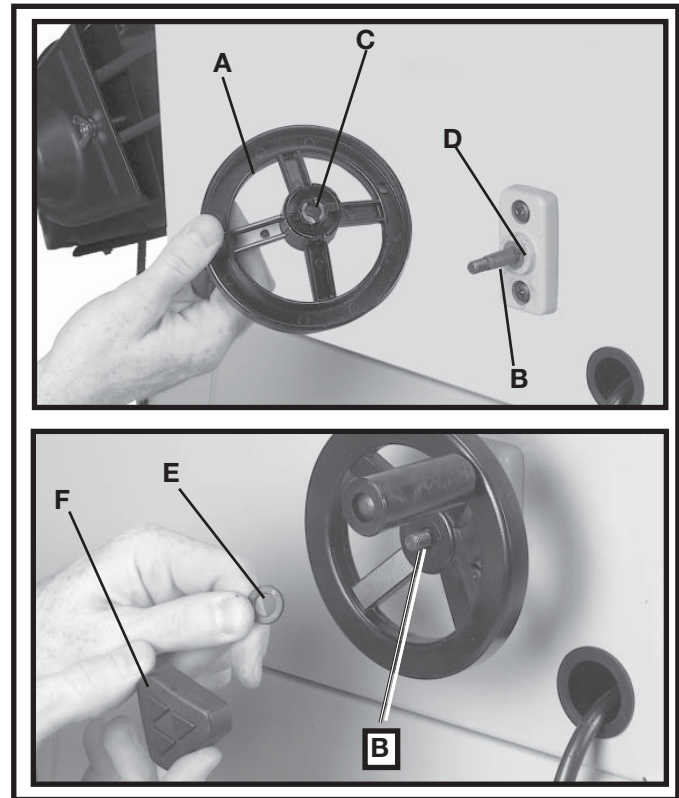


Fig. 29

WRENCH HOOK

A hook (H) Fig. 30 for blade wrench storage can be installed in two holes on the side of the saw as shown using two M4x8mm Pan Head Cap Screws.



Fig. 30

MOTOR TO MOTOR MOUNTING PLATE

Assemble motor (A) to motor mounting plate (B) as shown in Fig. 31. Align the four mounting holes in the motor with the four holes in the mounting plate. Insert a $\frac{5}{16}$ -18x $\frac{3}{4}$ " Carriage Bolt (C), through the hole in motor and then through the hole in the motor mounting plate, place a $\frac{5}{16}$ " Flat Washer (D), then a $\frac{5}{16}$ " External Tooth Washer (E) onto the carriage head bolt, and fasten with a $\frac{5}{16}$ -18 Hex nut (F). Repeat this process for the three remaining holes in the motor and the motor mounting plate.

NOTE: Do not completely tighten the hex nuts at this time.

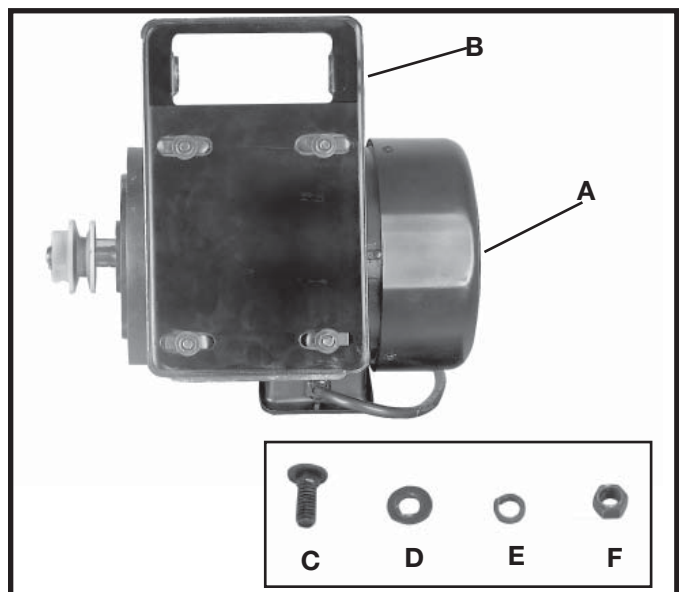


Fig. 31

MOTOR AND MOTOR MOUNTING PLATE TO SAW

1. Insert the tapered end of pin (G) Fig. 32, into the inside holes in each side of bracket (H).
3. Assemble spring (I) Fig. 32, onto the non-tapered end of each pin (G) as shown.
4. Position motor and motor mounting plate (A) Fig. 33, below bracket (B) to allow bracket arm to slide through large opening (C) in motor mounting plate (A).
5. Depress pins, one of which is shown at (D) Fig. 33, on both sides of bracket (B) and lift up motor mounting plate (A) until pins (D) are engaged in holes (E) Fig. 33, of motor mounting plate (A).
6. Fig. 34, illustrates the motor and motor mounting plate assembled to the rear of the saw.

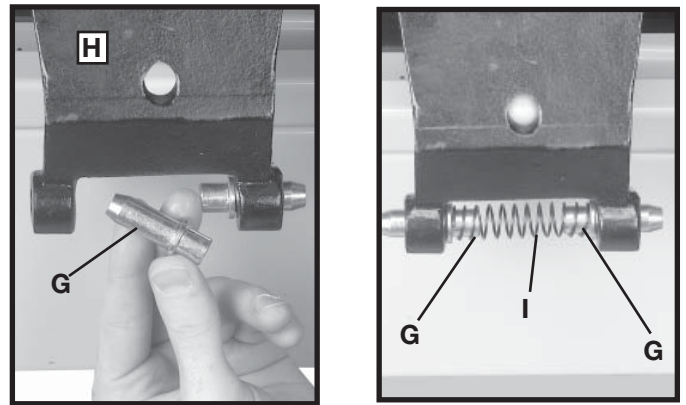


Fig. 32

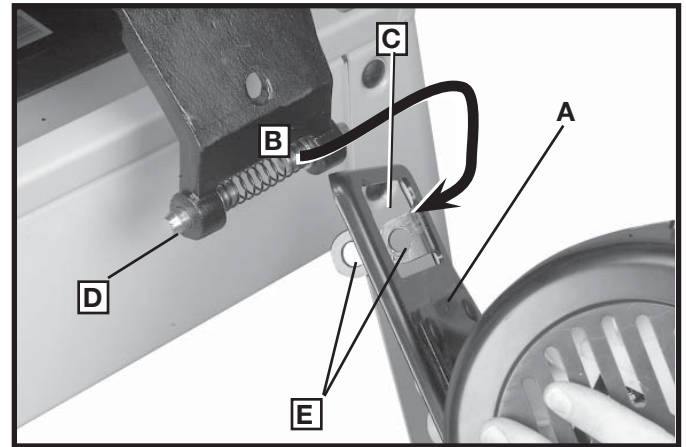


Fig. 33

MOTOR PULLEY, PULLEY GUARD, AND DRIVE BELT

1. Remove the motor shaft key (No. 14, Fig. 4) that is taped to the motor.
2. Insert key (F) Fig. 35, in the keyway on the motor shaft. Assemble motor pulley (G) on motor shaft as shown, with the hub of the pulley out. Tighten set screw (H) against key (F) in motor shaft.

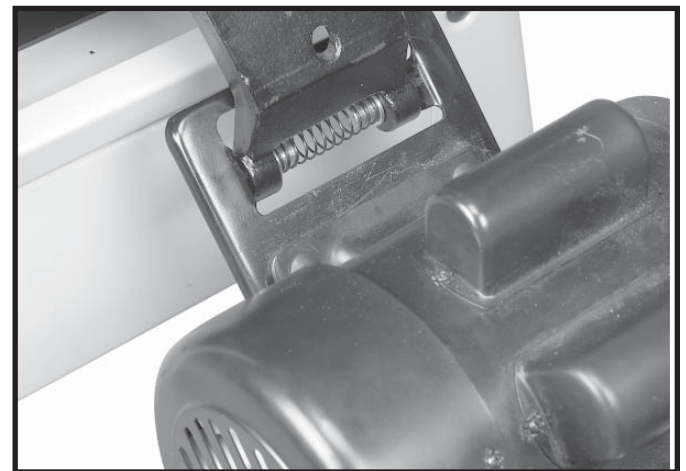


Fig. 34

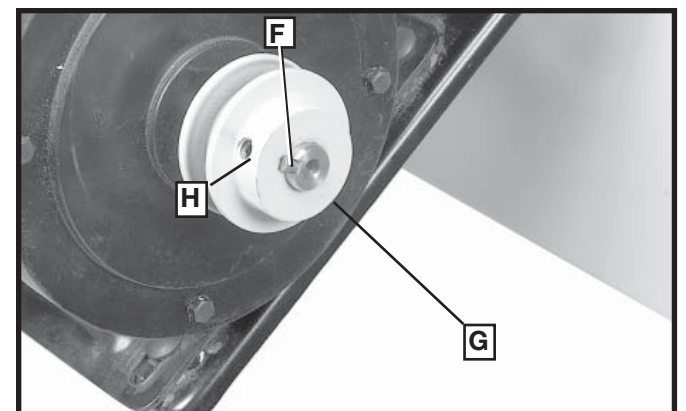


Fig. 35

- Slide the belt and pulley guard bracket (I) Fig. 36, between the motor plate (J) and motor mounting plate (K), as shown.
- Place a ¼" External Tooth Lockwasher onto a ¼-20 x 1 ½" Hex Head Screw. Insert the screw (L) Fig. 36, through the hole in the belt and pulley guard bracket (I) as shown in Fig. 36.

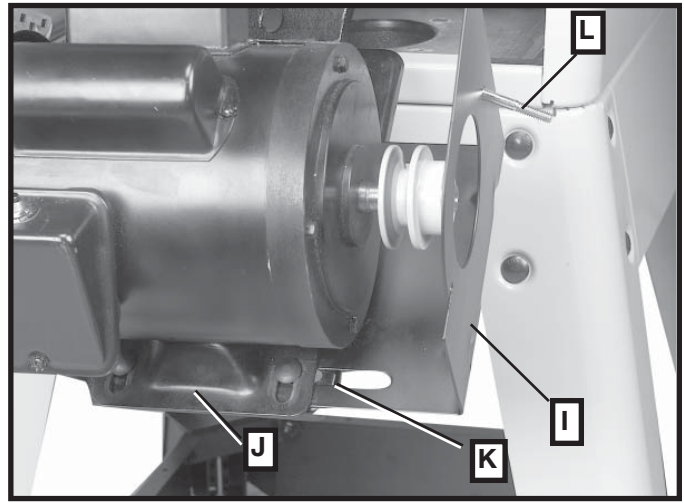


Fig. 36

- Position belt and pulley guard bracket (I) Fig. 37, so the motor pulley (K) is centered and through the hole in the belt and pulley guard bracket (I), as shown in Fig. 37. Tighten the four hex nuts (C) Fig. 31 that fasten the motor to the motor mounting plate.
- Using a straight edge, align the motor pulley with the arbor pulley in the saw cabinet. If necessary, adjust the motor pulley (K) Fig. 37, in or out on the motor shaft.
- Lift up on the motor and assemble the drive belt (L) Fig. 38, to the arbor pulley and motor pulley (K) Fig. 38. The weight of the motor will provide the correct belt tension.

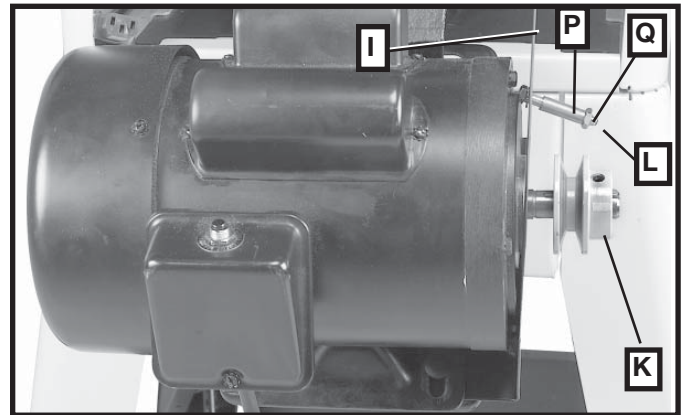


Fig. 37

- ⚠ WARNING** IMMEDIATELY AFTER ASSEMBLING THE BELT, RAISE THE SAW BLADE TO ITS MAXIMUM HEIGHT AND TILT THE SAW BLADE TO 45 DEGREES. USING A STRAIGHT EDGE (M) FIG. 39, CHECK TO SEE IF THE MOTOR END (N) FIG. 39, IS BELOW THE TOP OF THE TABLE SURFACE (O). IF THE MOTOR END IS ABOVE THE TOP OF THE TABLE SURFACE, LOOSEN THE FOUR HEX NUTS (F) FIG. 31, RE-POSITION MOTOR AND THEN RETIGHTEN THE NUTS. THEN, RE-ALIGN THE MOTOR PULLEY (K) FIG. 38 TO THE ARBOR PULLEY.

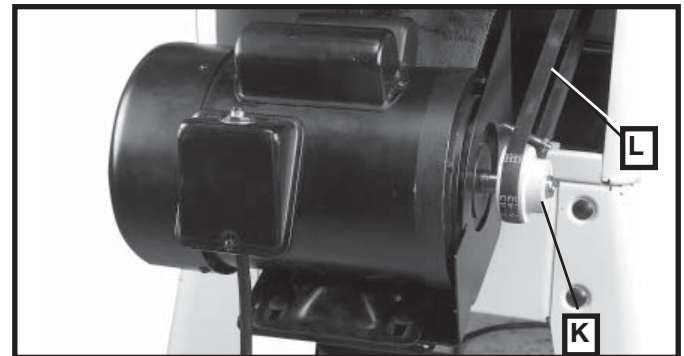


Fig. 38

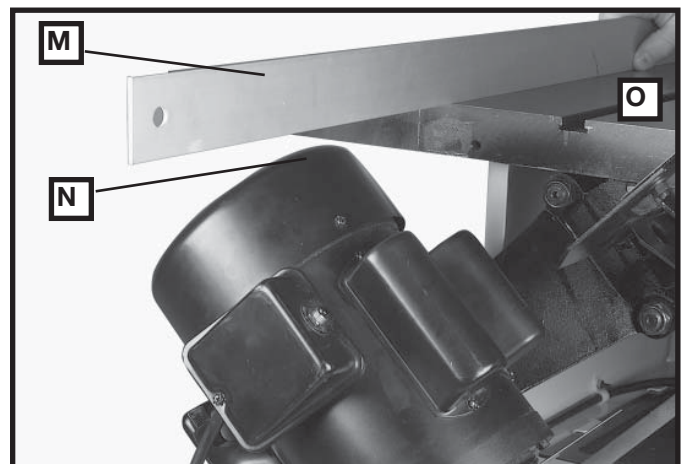


Fig. 39

9. Place a ¼" flat washer and then a spacer (P) onto the ¼-20x1-1/2" hex head screw (L) Fig. 37. Then thread a ¼-20 Hex Nut (Q) Fig. 37, onto the screw post until it tightens the spacer onto the pulley guard (I) Fig. 37.
10. Align the hole (S) Fig. 40 in the belt guard (R) with the ¼-20x1 ½" hex head screw (L) Fig. 37. Place the screw through the hole in the belt guard (R) Fig. 40. Place a ¼" External Tooth Lockwasher onto the hex head screw and thread a 1/4-20 Wing Nut onto the hex head screw, and tighten securely.

CAUTION MAKE CERTAIN THE BELT GUARD DOES NOT TOUCH THE DRIVE BELT OR MOTOR PULLEY.

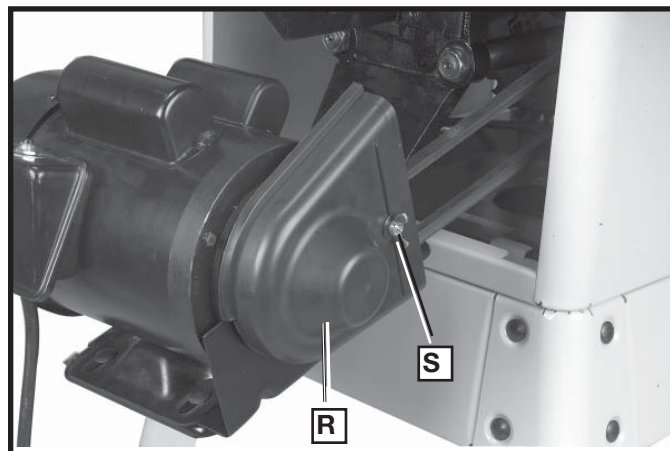


Fig. 40

CONNECTING MOTOR CORD TO SWITCH ASSEMBLY

Insert the pronged motor plug (A) Fig. 41, into the female receptacle (B) of switch-to-motor cord, which is located inside the saw housing.

WARNING MAKE SURE THE CORD RUNNING FROM THE SWITCH TO THE FEMALE END (B) FIG. 41 IS CLAMPED TO THE INNER WALL OF THE SAW UNIT AND WILL NOT COME IN CONTACT WITH THE BLADE OR ANY MOVING PARTS.

Fig. 42 illustrates the motor cord connected to the switch assembly.

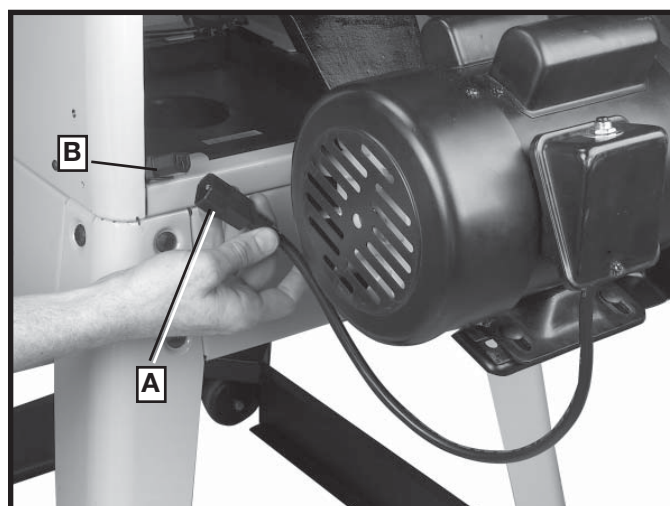


Fig. 41

REMOVING MOTOR FOR TRANSPORT

To remove the motor for transport through narrow doorways, first unplug the motor cord from the switch cord. Then, while holding the motor, press in on pins (G) Fig. 32 and lower motor off of bracket (B) Fig. 33.

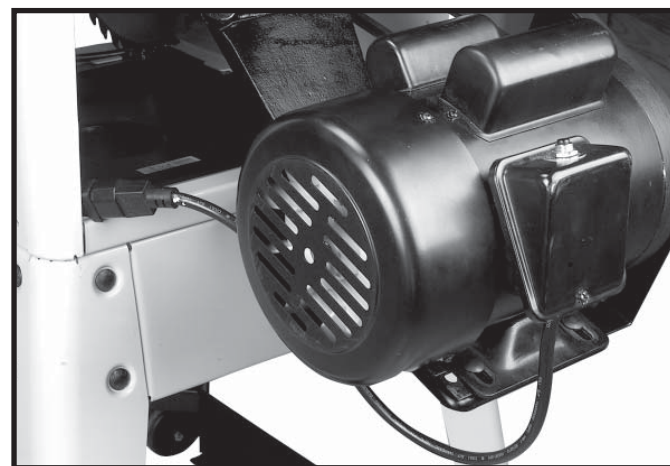


Fig. 42

BLADE GUARD AND SPLITTER ASSEMBLY AND ALIGNMENT

1. Fasten the rear splitter mounting bracket (A) Fig. 43, to the rear trunnion. Align the two holes in the rear splitter mounting bracket (shown at B) with the two holes in the trunnion. Place a $\frac{1}{4}$ " Lock Washer onto a $\frac{1}{4}$ " -20 x $\frac{3}{4}$ " Hex Head Screw, place a $\frac{1}{4}$ " Flat Washer onto the hex head screw, insert the hex head screw through the hole in the rear splitter mounting bracket and thread the hex head screw into the rear trunnion. Repeat this process for the remaining hole. **Do not completely tighten the two screws (B) at this time.**

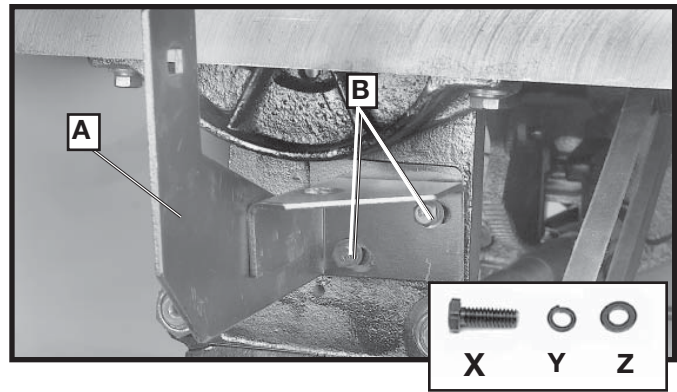


Fig. 43

2. Raise saw arbor to its highest position.

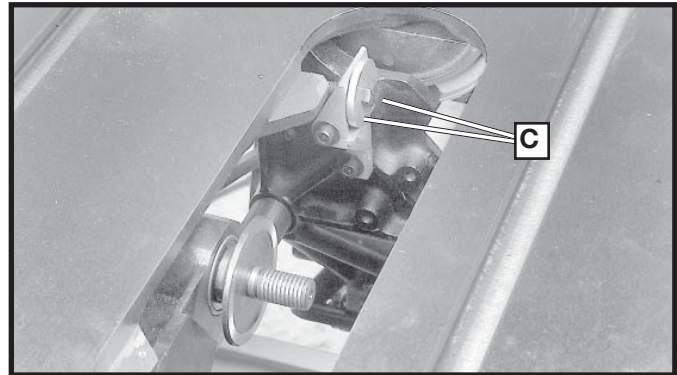


Fig. 44

3. Remove screw and large washer (C) Fig. 44 from the inside splitter mounting bracket.

4. Using a straight edge, check to see if the top and bottom of the inside splitter bracket (D) Fig. 45 is aligned with the inner arbor flange (E), as shown.

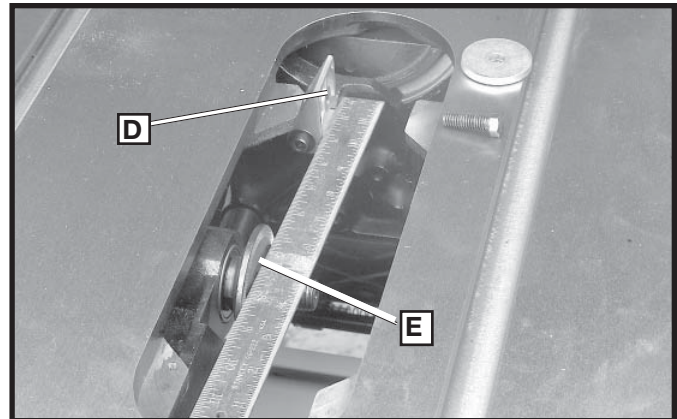


Fig. 45

5. If alignment is necessary, loosen the two screws (F) Fig. 46, align bracket (D) with the arbor flange and tighten screws (F).

6. Loosely assemble large washer and screw (C) Fig. 46 to the inside splitter bracket. This screw and washer was removed in **STEP 3**.

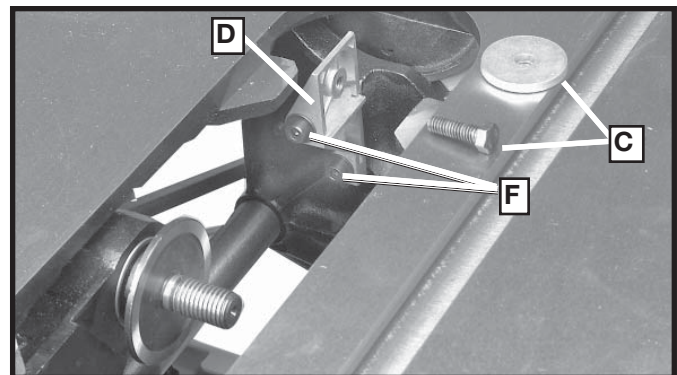


Fig. 46

- Assemble the blade guard and splitter assembly (G) Fig. 47, between the large washer (C) and the splitter bracket and tighten screw (H) with wrench supplied. Slide splitter as far down as it will go.

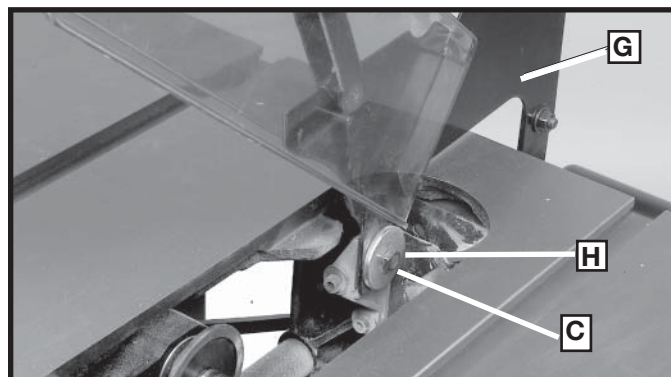


Fig. 47

- Fasten the rear of the blade guard and splitter bracket assembly (G) Fig. 48, to the rear splitter mounting bracket. Align the hole (J) in the blade guard and splitter bracket with the hole in the rear splitter mounting bracket. Insert a 5/16-18 x 5/8" Carriage Head Screw through the hole and place a 5/16" Flat Washer on the screw and fasten with a 5/16-18 Hex Nut, and tighten securely.

IMPORTANT: The splitter (G) Fig. 49, has a notch (L) cut in the top edge as shown. This feature will enable the blade guard to stay in the raised position to make blade changing easier. Raise the front of blade guard (M), until the rear edge of the blade guard slips into notch (L) of splitter (G); the blade guard will stay in this position. This feature only works when the table insert is removed.

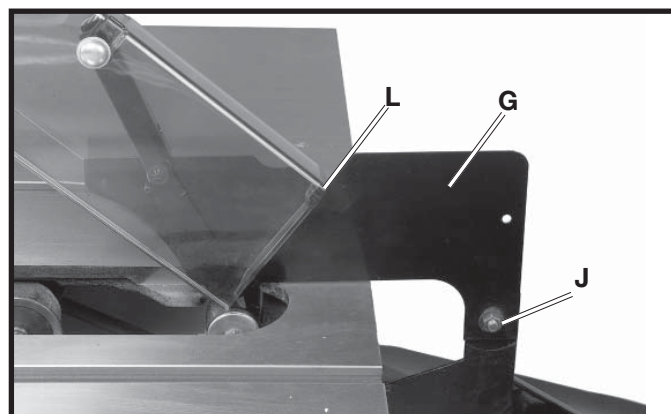


Fig. 48

- With the blade guard (L) Fig. 50, in the raised position, attach the saw blade (K) on the arbor with the two arbor wrenches provided (No. 7 and 8, Fig. 1). For more instructions on changing blades, see "CHANGING THE SAW BLADE" section in this manual.

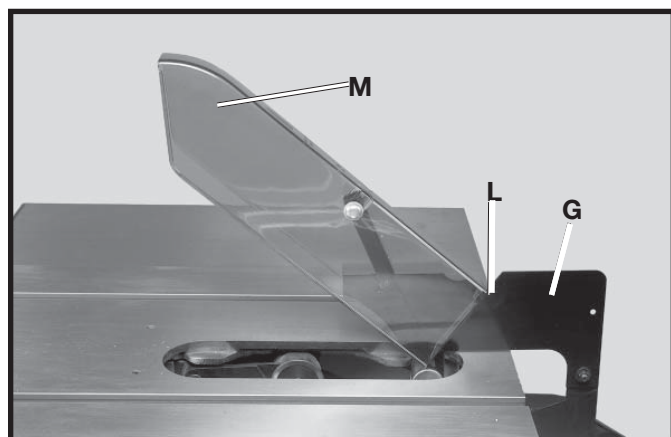


Fig. 49

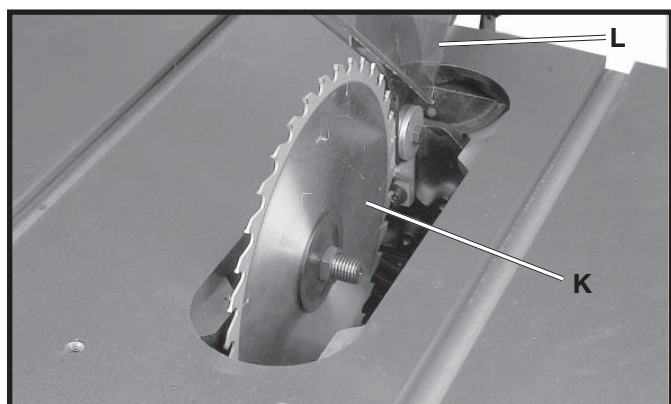


Fig. 50

10. Using a straight edge, check to see if the rear of the splitter (G) is aligned with the saw blade, as shown in Fig. 51. If alignment is necessary, loosen the screws (B) Fig. 43, align splitter (G) with the saw blade, and tighten two screws (B) Fig. 43.

11. Lower saw blade and install table insert (P) Fig. 52, in the saw table as shown.

CAUTION THE TABLE INSERT SHOULD BE LEVEL WITH THE TABLE SURFACE. IF AN ADJUSTMENT IS NECESSARY, SEE THE SECTION "ADJUSTING TABLE INSERT".

CAUTION WHEN INSTALLING THE TABLE INSERT, ALWAYS MAKE CERTAIN TO HOLD ON TO THE BLADE GUARD (L). THE INSERT WILL AUTOMATICALLY RELEASE THE HOLDING ACTION ON THE SPLITTER AND LOWER THE BLADE GUARD WHEN IT IS INSTALLED IN THE TABLE OPENING.

EXTENSION WINGS

1. Attach extension wing (A) Fig. 53, to the saw table. Align the three holes in the extension wing with the three holes in the side of the saw table.

FOR 36-978: Place a 7/16" Lockwasher (C) Fig. 53, then a 7/16" Flat Washer (D) on a 7/16-20 x 3/4" Hex Head Screw (B).

FOR 36-979: Place a 7/16" Lockwasher (C) Fig. 53, then a 7/16" Flat Washer (D) on a 7/16-20 x 1/4" Hex Head Screw (B).

2. Insert the screw through the hole in the extension wing and thread the screw into the tapped hole in the side of the saw table. Finger tighten only. Repeat this process for the two remaining holes in the extension wing and the saw table.

NOTE: MAKE SURE FRONT EDGE OF EXTENSION WING IS FLUSH TO OR SLIGHTLY BEHIND THE FRONT EDGE OF THE TABLE.

3. With a straight edge (E) Fig. 53, align the extension wing (A) level with the saw table before fully tightening the three screws (B). Starting with the screw at the front, tighten the screw while keeping the extension wings aligned with the table. Then, move to the middle screw and follow the same procedure of aligning and tightening. Then do the same for the third screw.

MODEL 36-978 ONLY

4. Assemble the other sheet metal extension wing to the opposite side of the saw table in the same manner.

MODEL 36-979 ONLY

4. Assemble the other cast iron extension wing to the opposite side of the saw table in the same manner.

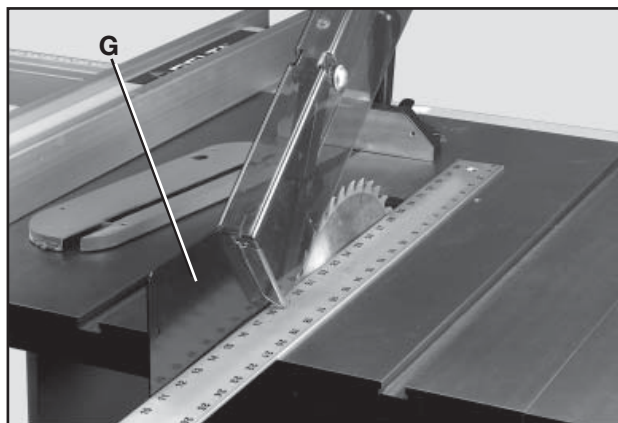


Fig. 51

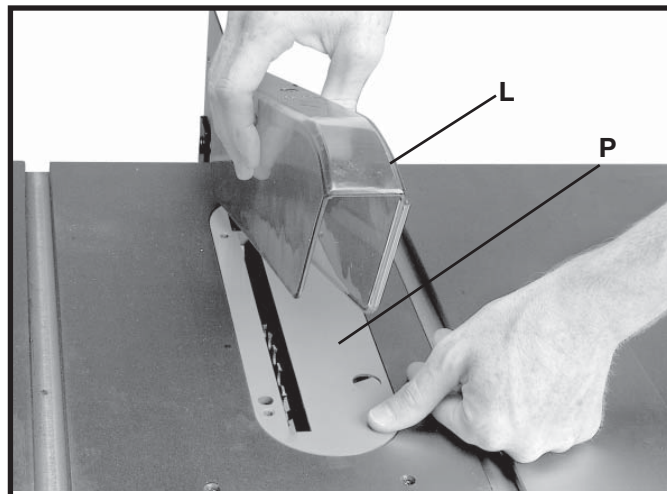


Fig. 52

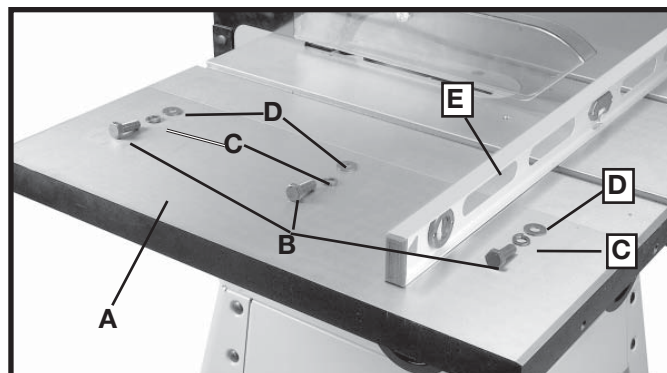


Fig. 53

ON/OFF SWITCH

Insert a 3/8-16x 1½" Flat Head Screw (F) Fig. 54, through hole (B) in the front the saw table and then through the hole (E) in the switch bracket. Place a 3/8" Flat Washer (G), then a 3/8" Lockwasher (H), onto the screw (F). Then thread a 3/8-16 Hex Nut (J) onto the screw and tighten securely.

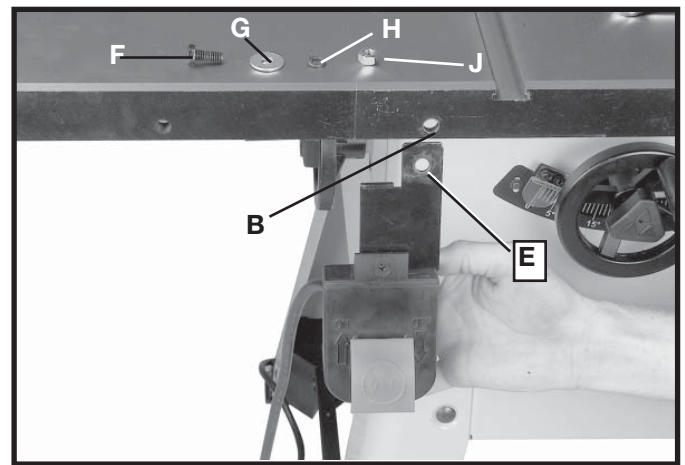


Fig. 54

OPERATION

OPERATIONAL CONTROLS AND ADJUSTMENTS

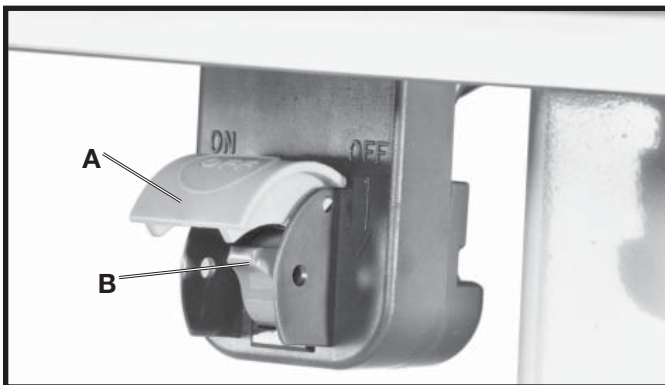


Fig. 55

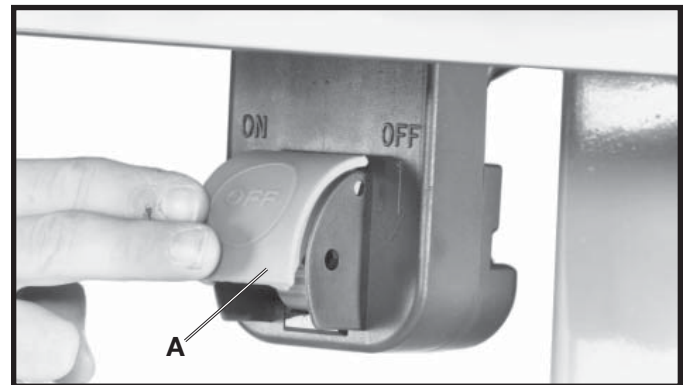


Fig. 56

STARTING AND STOPPING SAW

⚠ WARNING MAKE SURE THAT THE SWITCH IS IN THE “OFF” POSITION BEFORE PLUGGING CORD INTO OUTLET. DO NOT TOUCH THE PLUG’S METAL PRONGS WHEN UNPLUGGING OR PLUGGING IN THE CORD.

1. The ON/OFF switch is located underneath the switch shield (A) Fig. 55. To turn the saw “ON”, move switch lever (B) to the up position.
2. To turn the saw “OFF”, push down on switch shield (A) Fig. 56.

LOCKING SWITCH IN THE “OFF” POSITION

IMPORTANT: When the machine is not in use, the switch should be locked in the “OFF” position to prevent unauthorized use, using a padlock (C) Fig. 57 with a 3/16" diameter shackle (D).

⚠ WARNING IN THE EVENT OF A POWER OUTAGE (SUCH AS A BREAKER OR FUSE TRIP), ALWAYS MOVE THE SWITCH TO THE “OFF” POSITION UNTIL THE MAIN POWER IS RESTORED.

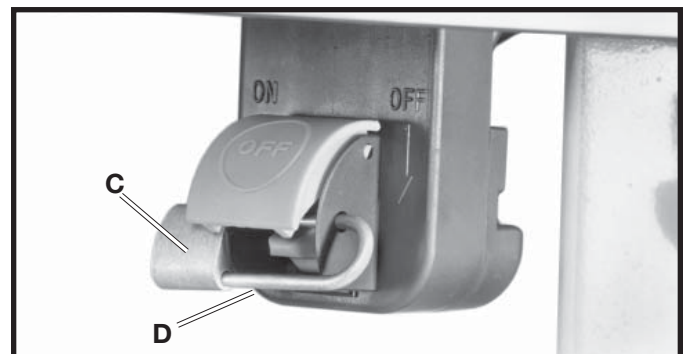


Fig. 57

OVERLOAD PROTECTION

The motor supplied with your saw is equipped with a manual reset overload (A) Fig. 58. If the motor shuts off or fails to start due to overloading (cutting stock too fast, using a dull blade, using the saw beyond its capacity, etc.), or low voltage, move the ON/OFF switch to the "OFF" position, let the motor cool three to five minutes and push the reset button (A), which will reset the overload device. The motor can then be turned on again in the usual manner.

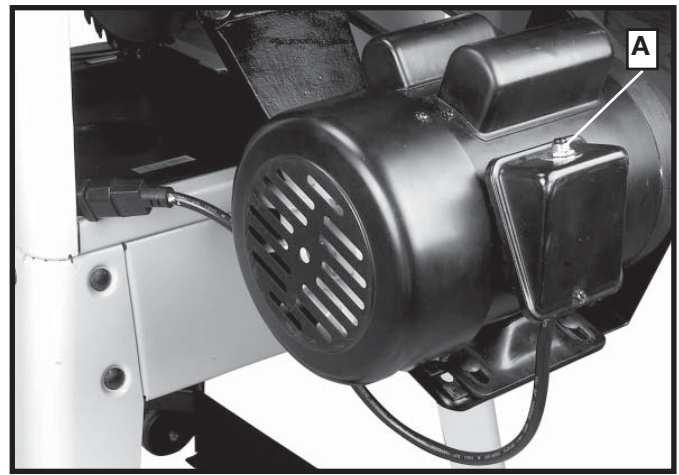


Fig. 58

RAISING AND LOWERING BLADE

To raise the saw blade, loosen lock knob (C) Fig. 59, and turn the blade raising handwheel (D) clockwise. When the blade is at the desired height, tighten lock knob (C).

To lower the blade, loosen lock knob (C) and turn the handwheel (D) counterclockwise. **NOTE:** One full turn of the handwheel will change blade height approximately 1/4".



Fig. 59

TILTING THE BLADE

To tilt the saw blade for bevel cutting, loosen lock knob (A) and turn the tilting handwheel (B). When the desired blade angle is obtained, tighten lock knob (A).

ADJUSTING 90 DEGREE AND 45 DEGREE POSITIVE STOPS

Your saw is equipped with positive stops that will quickly and accurately position the saw blade at 90 degrees and 45 degrees to the table. To check and adjust the positive stops, proceed as follows:

⚠ WARNING DISCONNECT MACHINE FROM POWER SOURCE.

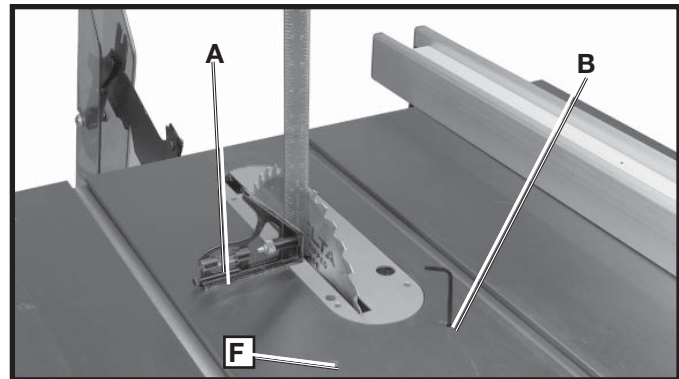


Fig. 60

1. Raise the saw blade to its highest position.
2. Set the blade at 90 degrees to the table by turning the blade tilting handwheel (B) Fig. 59 counterclockwise as far as it will go.
3. Using a combination square (A) Fig. 60, check to see if the blade is at 90 degrees to the table surface as shown.
4. If the blade is not at 90 degrees to the table, move the blade off of the stop by turning the handwheel (B) Fig. 59 one turn clockwise. Loosen set screw (F) Fig. 60 with a 4mm hex wrench. Turn the blade tilting handwheel until the blade is at 90 degrees to the table. Tighten set screw (F) until it bottoms.
5. Adjust the hairline indicator (D) Fig. 61, to point to the zero degree mark on the scale by loosening screws (E), adjusting pointer (D), and tightening screws (E).
6. Turn the blade tilting handwheel clockwise as far as it will go and using a combination square, check to see if the blade is at 45 degrees to the table.

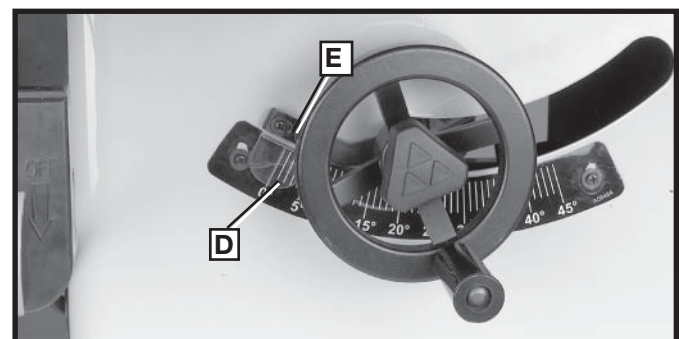


Fig. 61

7. If the blade is not at 45 degrees to the table, move the blade off of the stop by turning the handwheel (B) Fig. 59 one turn counter-clockwise. Loosen set screw (B) Fig. 60, and turn blade tilting handwheel until the blade is 45 degrees to the table. Tighten set screw (B) until it bottoms.

ASSEMBLING MITER GAUGE

Place a flat washer (A) Fig. 62 on the threads of the miter gauge lock handle (B) and then thread the handle into the hole (C) in miter gauge bar.

Insert washer (D) Fig. 64 into the miter gauge slot (E) and slide miter gauge onto saw table.

MITER GAUGE OPERATION AND ADJUSTMENT

The miter gauge is equipped with adjustable index stops at 90, 75, 60, 45 and 30 degrees.

To rotate the miter gauge, loosen lock knob (A) Fig. 63, push the thumb lever (B) down and move the body of the miter gauge (C) to the desired angle.

The miter gauge is equipped with a washer (D) Fig. 64 which fits into the T-Slot groove (E) in the table. This allows the miter gauge to be pulled off the front edge of the table without falling. This allows for a longer cut-off capacity in front of the blade.

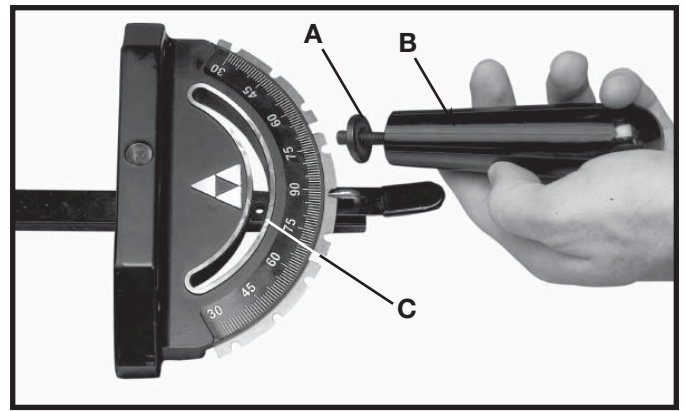


Fig. 62

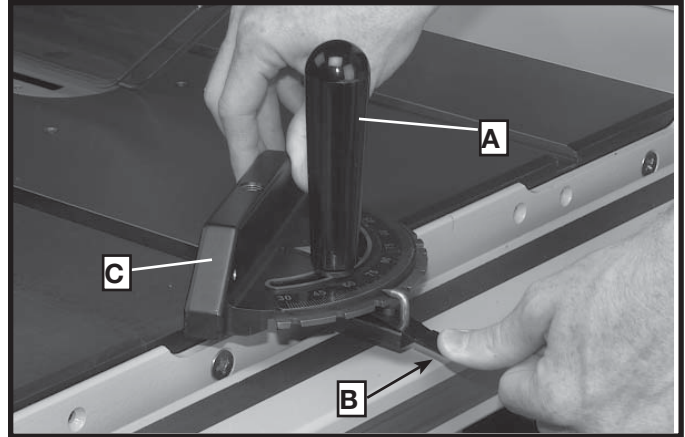


Fig. 63

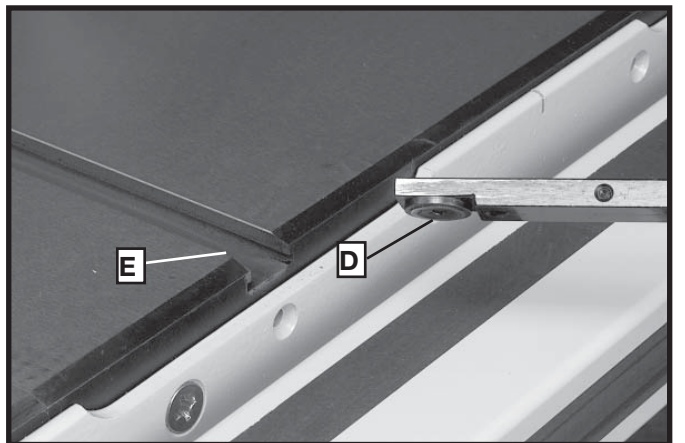


Fig. 64

ADJUSTING TABLE INSERT

⚠ WARNING DISCONNECT MACHINE FROM POWER SOURCE.

Place a straight edge across the table at both ends of the table insert (A) Fig. 65.

⚠ CAUTION THE TABLE INSERT (A) SHOULD ALWAYS BE LEVEL WITH THE TABLE.

If an adjustment is necessary, turn the adjusting screws (B), as needed. The table insert is equipped with a finger hole (C) for easy removal.

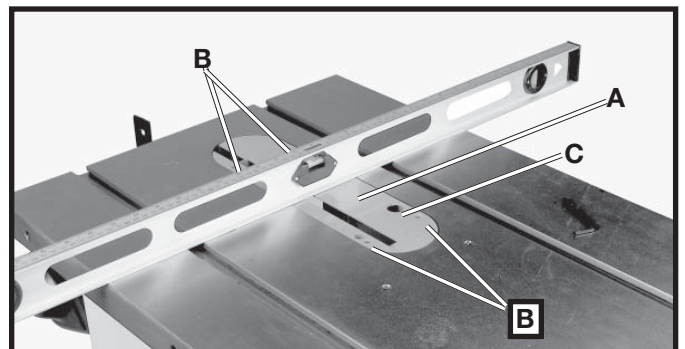


Fig. 65

ALIGNING MITER SLOTS TO BLADE

The saw table has been aligned at the factory so the miter gauge slots are parallel to the saw blade. However, it is recommended to check the alignment before initial operation as follows:

⚠ WARNING DISCONNECT MACHINE FROM POWER SOURCE.

1. Place a combination square (A) Fig. 66, on the table with one edge of the square in the miter gauge slot, as shown, and adjust the square so the ruler just touches one of the teeth on the saw blade at the forward position, as shown in Fig. 66. Lock the square in this position.
2. Rotate the saw blade so that the same tooth you used in **STEP 2** is in the rear position, as shown in Fig. 67, and check this distance. Both the front and rear measurements should be identical.
3. If an adjustment is necessary, loosen the two hex head bolts (B) Fig. 68 that hold the rear trunnion to the saw table.
4. Using a rubber mallet (or a regular hammer and a block of wood), tap the trunnion (C) until a position is found which brings the saw blade to the center of the table insert slot, and parallel to the miter gauge slot.
5. Tighten the two hex head bolts that were loosened in **STEP 3**.
6. Tilt the blade to 45 degrees, and turn the saw blade by hand, and insure it does not contact the table insert.

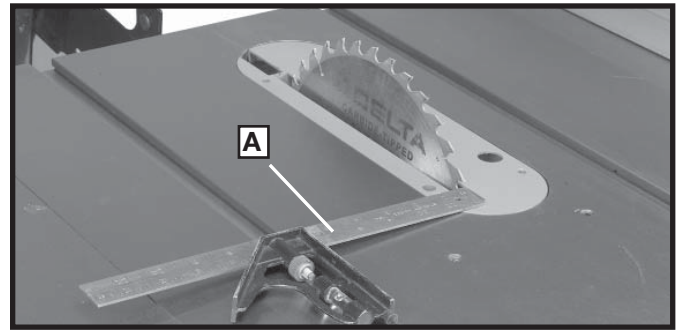


Fig. 66

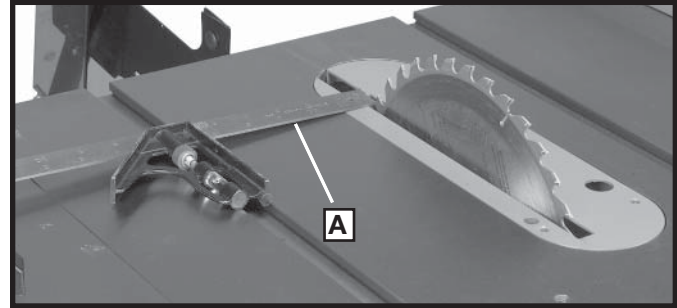


Fig. 67

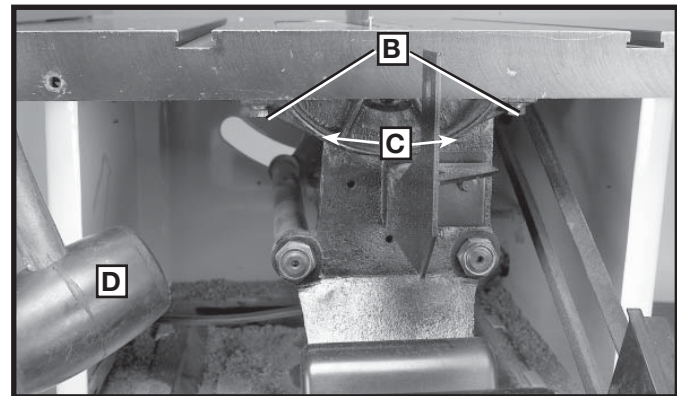


Fig. 68



Fig. 69

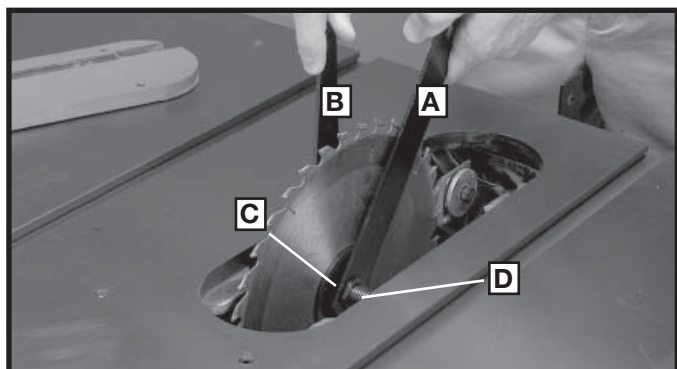


Fig. 70

CHANGING THE SAW BLADE

⚠ WARNING USE ONLY 10" DIAMETER BLADES WITH 5/8" ARBOR HOLES, RATED AT 3600 RPM OR HIGHER.

⚠ WARNING DISCONNECT MACHINE FROM POWER SOURCE.

1. **NOTE:** Two 7/8" wrenches are supplied with the saw for changing the saw blade: a closed end wrench (A) Fig. 69, and an open end wrench (B).
2. Remove table insert (C) Fig. 69, and raise saw blade to its maximum height.
3. Place the open end wrench (B) Fig. 70, on the flats of the saw arbor to keep the arbor from turning, and using closed end wrench (A), turn the arbor nut (D) toward the front of the saw to loosen. Remove arbor nut, blade flange (C), and saw blade.
4. Place the new blade on the arbor, making certain the teeth point down as the blade rotates toward the front of the saw table. Assemble outside blade flange and arbor nut to secure blade. With wrench (B) Fig. 70, on the flats of the arbor to keep it from turning, tighten arbor nut by turning wrench (A) to the rear of the saw.
5. Replace table insert.

NOTE: Make sure you are using the proper blade for the job you are doing and make sure the saw blade you are using is sharp. If storing multiple blades, do not stack blades on top of each other. Place material (like cardboard) in between them to keep them from touching.

BACKLASH ADJUSTMENTS FOR BLADE RAISING AND BLADE TILTING MECHANISMS

If any play is detected in the blade raising or blade tilting mechanisms, the following adjustments should be made.

⚠ WARNING DISCONNECT MACHINE FROM POWER SOURCE.

NOTE: The machine has been turned upside down and the blade removed for clarity and safety.

1. **Adjusting blade raising mechanism** - Loosen locknut (A) Fig. 71, and turn eccentric sleeve (B) until all play is removed in mechanism, then tighten locknut (A).
2. **Adjusting blade tilting mechanism** - Loosen locknut (C) Fig. 71, and turn eccentric (D) until all play is removed in mechanism, then tighten locknut (C).

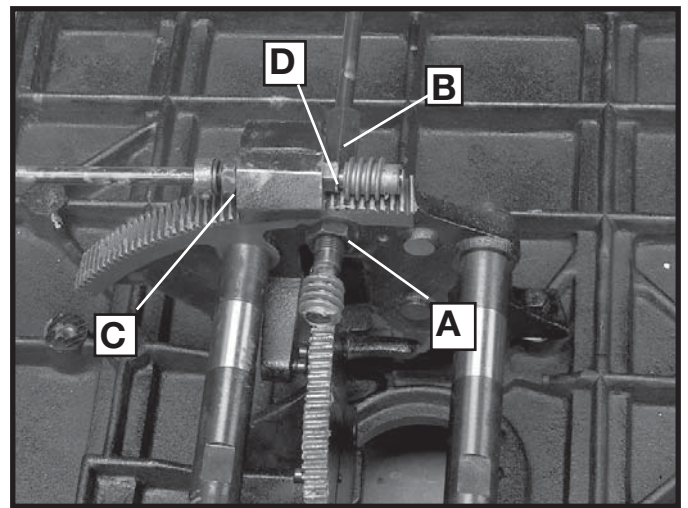


Fig. 71

MACHINE USE

Common sawing operations include ripping and crosscutting plus a few other standard operations of a fundamental nature. As with all power machines, there is a certain amount of hazard involved with the operation and use of the machine. Using the machine with the respect and caution demanded will considerably lessen the possibility of personal injury. However, if normal safety precautions are overlooked or completely ignored, personal injury to the operator can result. The following information describes the safe and proper method for performing the most common sawing operations.

⚠ WARNING THIS INSTRUCTION MANUAL DOES NOT PROVIDE INFORMATION REGARDING THE INSTALLATION OF A FENCE SYSTEM. A FENCE SYSTEM MUST BE INSTALLED BEFORE USE OF THE SAW. PLEASE REFER TO THE FENCE INSTRUCTION MANUAL REGARDING THE PROPER INSTALLATION, ALIGNMENT AND OPERATION OF THE FENCE SYSTEM. SEE THE SECTION "ACCESSORIES" FOR AVAILABLE FENCE SYSTEMS.

⚠ WARNING THE USE OF ATTACHMENTS AND ACCESSORIES NOT RECOMMENDED BY DELTA MAY RESULT IN INJURY.

⚠ CAUTION NEVER OPERATE THE SAW WITHOUT THE PROPER TABLE INSERT FOR THE SAW BLADE OR CUTTER INSTALLED.

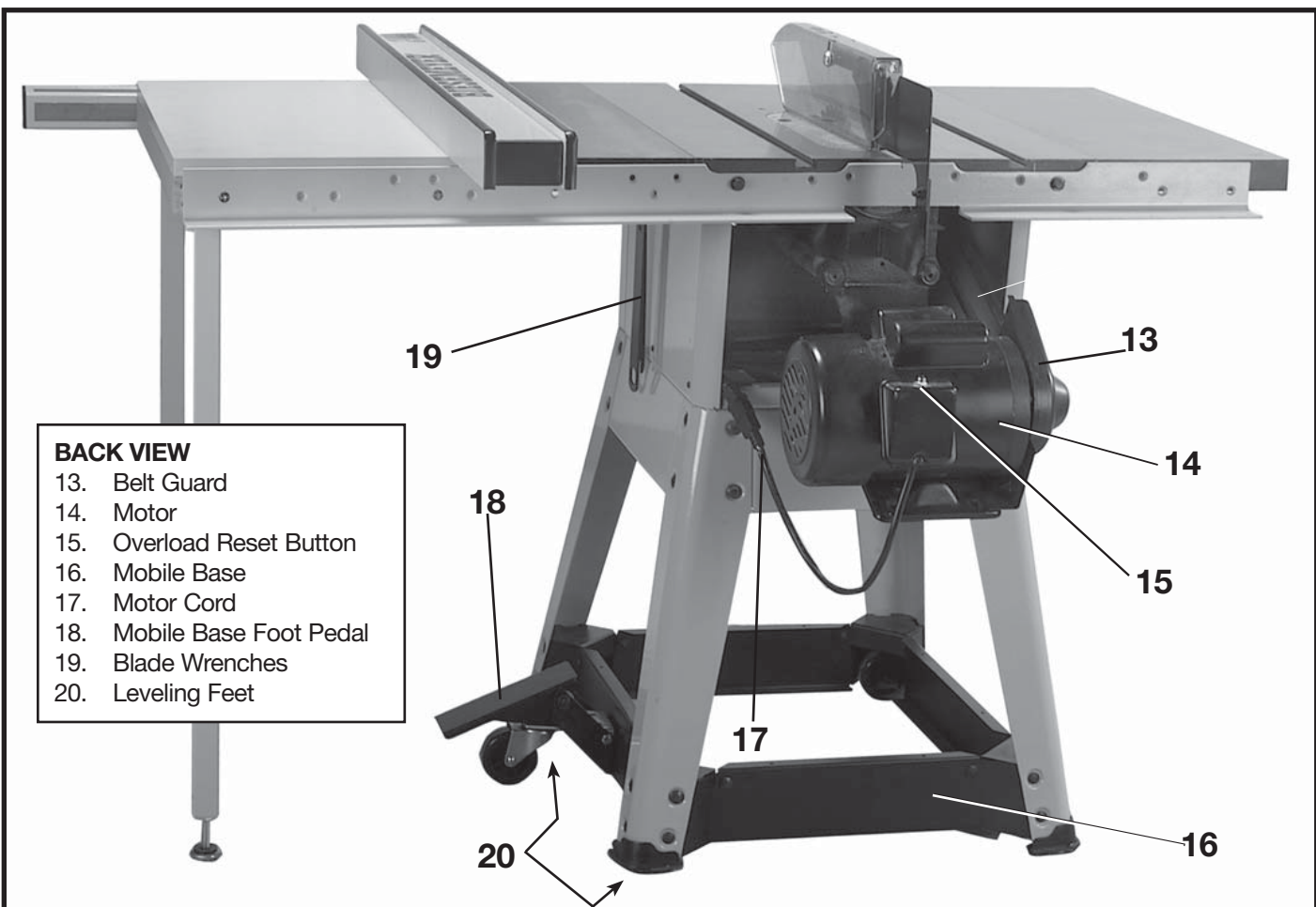
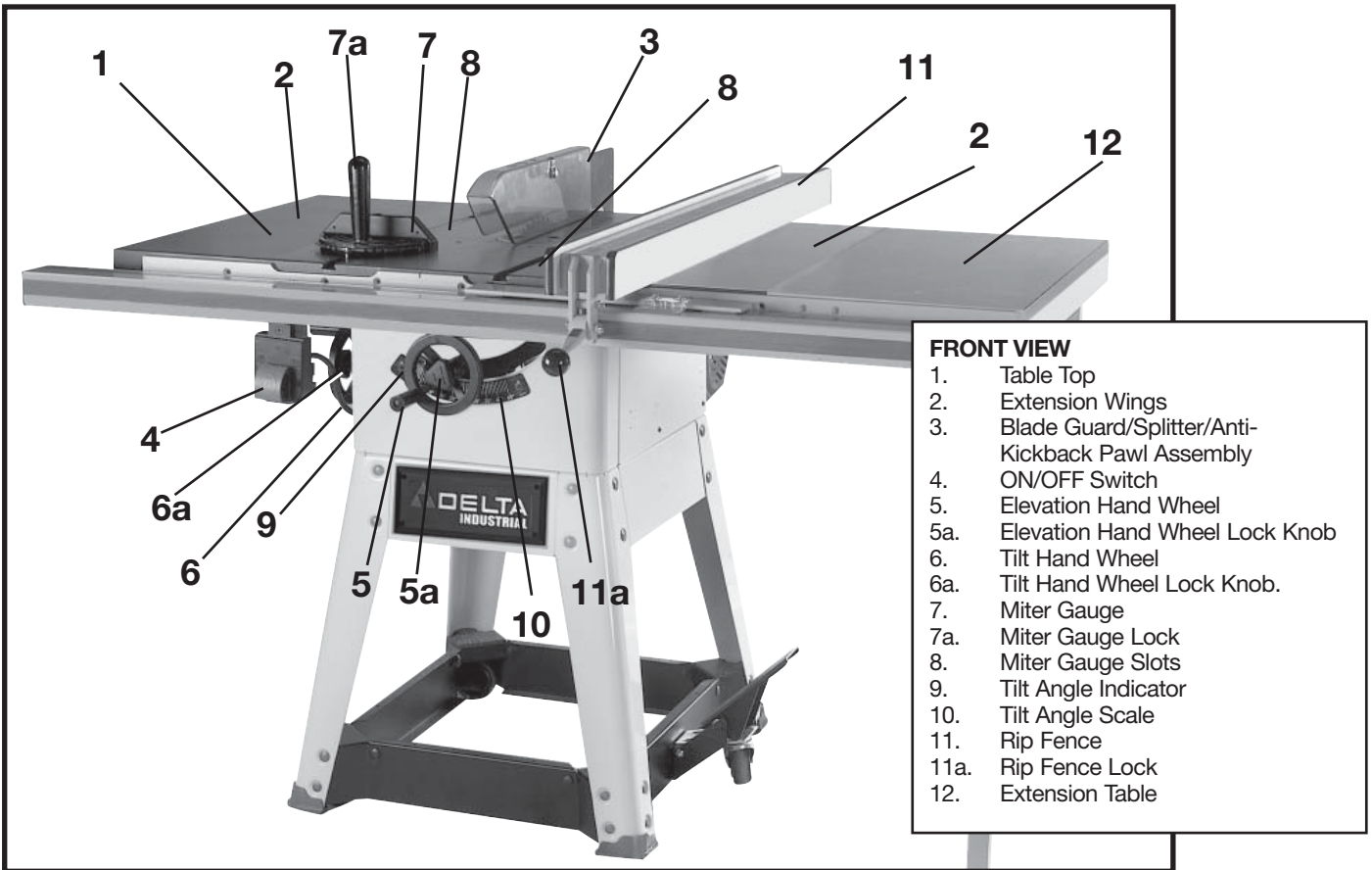
QUICK OPERATIONS CHECKLIST

⚠ CAUTION BEFORE USING THE SAW EACH AND EVERY TIME, VERIFY THE FOLLOWING:

1. Blade is tight.
2. Bevel angle and height lock knobs are tight.
3. If ripping, ensure fence lock lever is tight and fence is parallel to the blade.
4. If crosscutting, miter gauge knob is tight.
5. Proper eye, hearing and respiratory equipment is being used.
6. The blade guard is properly attached and the anti-kickback pawls are functioning.

FAILURE TO ADHERE TO THESE COMMON SAFETY RULES CAN GREATLY INCREASE THE LIKELIHOOD OF INJURY.

KEY PARTS AND SAFETY FEATURES ON YOUR SAW



BLADE GUARD AND SPLITTER USE

⚠ WARNING THE BLADE GUARD ASSEMBLY PROVIDED WITH DELTA SAWS, AS SHOWN IN FIG. S1 MUST BE USED FOR ALL THROUGH-SAWING OPERATIONS. The splitter prevents the kerf from closing and binding the blade, causing kickback. The anti-kickback pawls (A) Fig. S1 prevent the workpiece and cut-off piece from being thrown back at the operator. The plastic guard prevents dust and debris from being thrown at the operator. To use the guard properly:

1. Make sure the splitter is aligned with the blade as described in the section "BLADE GUARD AND SPLITTER ASSEMBLY AND ALIGNMENT."
2. Replace or sharpen the anti-kickback pawls when they become dull.
3. Keep the guard clean for visibility and free motion.
4. Do not use solvent or lubricants on the guard as they may severely damage the plastic.
5. Use caution when feeding workpieces that may catch on the guard and cause a bind or force the guard into the blade (such as when cutting moulding).

CROSS-CUTTING

Cross-cutting requires the use of the miter gauge to position and guide the work. Before starting the cut, raise the blade so it is about 1/8" (3.2mm) higher than the top of the workpiece. Place the work against the miter gauge and advance both the gauge and work toward the saw blade, as shown in Fig. S2. The miter gauge may be used in either table slot. Start the cut slowly and hold the work firmly against the miter gauge and the table. Keep both hands on the miter gauge and workpiece. Do not touch the cut-off piece. Feed the workpiece steadily through the blade until the workpiece is completely cut. Shift the workpiece slightly sideways away from the blade, then pull the workpiece and miter gauge back to the starting position. Remove the workpiece, then use a push stick to push the cut-off piece past the blade and off the table before beginning the next cut.

For added safety and convenience the miter gauge can be fitted with an auxiliary wood-facing (C), as shown in Fig. S3, that should be at least 1 inch higher than the maximum depth of cut, and should extend out 12 inches or more to one side or the other depending on which miter gauge slot is being used. This auxiliary wood-facing (C) can be fastened to the front of the miter gauge by using two wood screws (A) through the holes provided in the miter gauge body and into the wood-facing.

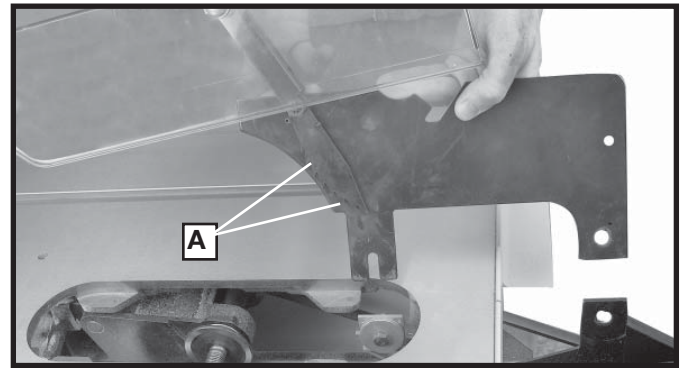


Fig. S1

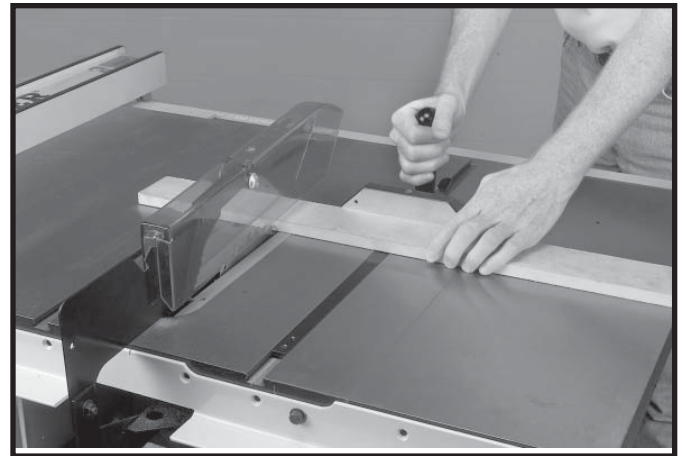


Fig. S2

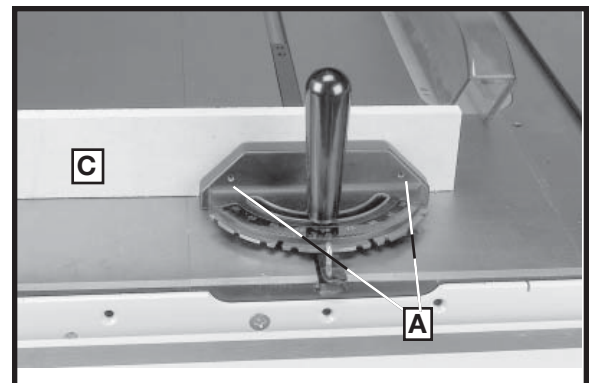


Fig. S3

⚠ WARNING NEVER USE THE FENCE AS A CUT-OFF GAUGE WHEN CROSS-CUTTING.

When cross-cutting a number of pieces to the same length, a block of wood (B), can be clamped to the fence and used as a cut-off gauge as shown in Fig. S4. The block (B) must be at least 3/4-inch thick to prevent the cut-off piece from binding between the blade and the fence during removal from the saw table. It is important that this block of wood always be positioned in front of the saw blade as shown. Once the cut-off length is determined, lock the fence and use the miter gauge to feed the work into the cut.

⚠ CAUTION WHEN USING THE BLOCK (B) FIG. S4, AS A CUT-OFF GAUGE, IT IS VERY IMPORTANT THAT THE REAR END OF THE BLOCK BE POSITIONED SO THE WORK PIECE IS CLEAR OF THE BLOCK BEFORE IT ENTERS THE BLADE.

MITERING

Mitering (the operation shown in Fig. S5) is the same as crosscutting except the miter gauge (C) is locked at an angle other than 0 degrees. Hold the workpiece firmly against the miter gauge and feed the work slowly into the blade to prevent the workpiece from moving.

⚠ WARNING USE CAUTION WHEN STARTING THE CUT TO PREVENT BINDING OF THE GUARD AGAINST THE WORKPIECE.

⚠ CAUTION MITER ANGLES GREATER THAN 45 DEGREES MAY FORCE THE GUARD INTO THE SAW BLADE AND DAMAGE THE GUARD. BEFORE STARTING THE MOTOR, TEST THE OPERATION BY FEEDING THE WORK PIECE INTO THE GUARD. IF THE GUARD CONTACTS THE BLADE, PLACE THE WORK PIECE UNDER THE GUARD, NOT TOUCHING THE BLADE, BEFORE STARTING THE MOTOR.

⚠ CAUTION CERTAIN WORKPIECE SHAPES, SUCH AS MOULDING, MAY NOT LIFT THE GUARD PROPERLY. FEED THE WORK SLOWLY TO START THE CUT.

BEVEL CROSSCUTTING

Bevel crosscutting (shown in Fig. S6) is the same as crosscutting except the bevel angle is set to an angle other than 0 degrees.

⚠ WARNING WHEN POSSIBLE, USE THE RIGHT MITER GAUGE SLOT WHEN BEVEL CROSSCUTTING SO THAT THE BLADE TILTS AWAY FROM THE MITER GAUGE AND YOUR HANDS.

⚠ WARNING USE CAUTION WHEN STARTING THE CUT TO PREVENT BINDING OF THE GUARD AGAINST THE WORKPIECE.

COMPOUND MITERING

Compound Mitering (shown in Fig. S7) is a combination of bevel crosscutting and mitering, where the blade is beveled to an angle other than 0 degrees and the miter gauge is locked at an angle other than 0 degrees. Always use the miter slot (D) which allows the blade to tilt away from the miter gauge and hands.

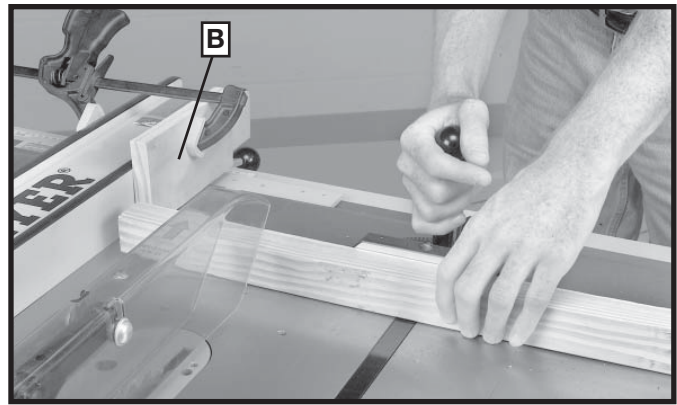


Fig. S4

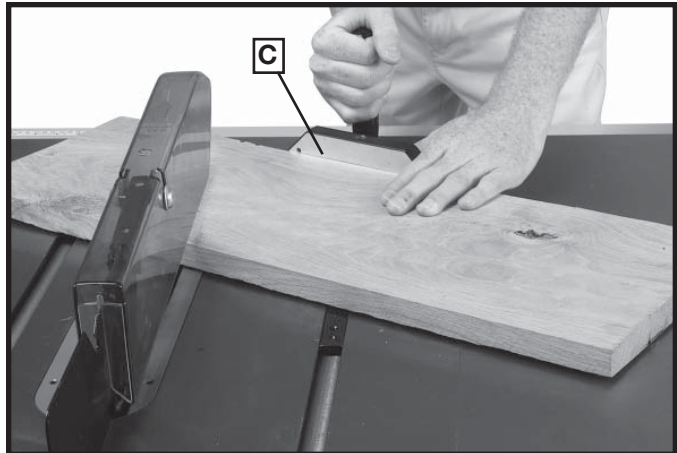


Fig. S5

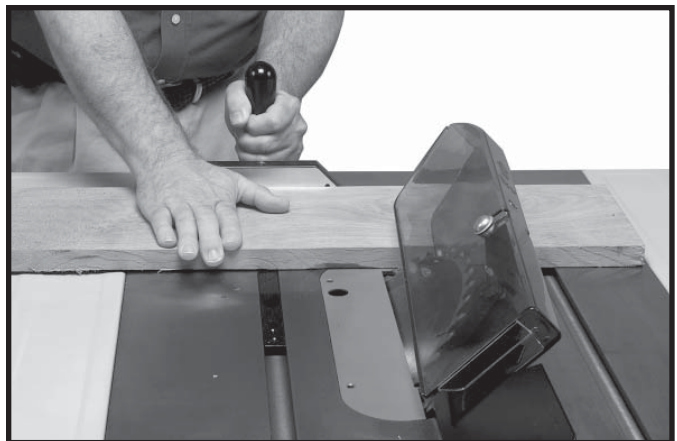


Fig. S6



Fig. S7

RIPPING

Ripping, as shown in Fig. S8, is cutting lengthwise through a board. The rip fence (A) is used to position and guide the work. One edge of the work rides against the rip fence while the flat side of the board rests on the table.

⚠ WARNING THE SAW BLADE GUARD MUST BE USED. ON DELTA SAWS, THE GUARD HAS ANTI-KICKBACK PAWLS TO PREVENT KICKBACK AND A SPLITTER TO PREVENT THE WOOD KERF FROM CLOSING AND BINDING THE BLADE. BE SURE TO REPLACE OR SHARPEN THE ANTI-KICKBACK DEVICES WHEN THE POINTS BECOME DULL.

⚠ WARNING A RIP FENCE SHOULD ALWAYS BE USED FOR RIPPING OPERATIONS. **NEVER** PERFORM A RIPPING OPERATION FREE-HAND. ALWAYS LOCK THE FENCE TO THE RAIL.

⚠ CAUTION THE WORKPIECE MUST HAVE A STRAIGHT EDGE AGAINST THE FENCE, AND MUST NOT BE WARPED, TWISTED OR BOWED.

1. Before starting the cut, raise the blade so it is about 1/8" (3.2mm) higher than the top of the workpiece. Start the motor and advance the work holding it down and against the fence. **Never** stand in the line of the saw cut when ripping. When the rip width is 6 inches or wider, hold the work with both hands and push it along the fence and into the saw blade (Fig. S8). Feed force when ripping should always be applied between the saw blade and the fence. Never pull the workpiece from the back of the saw. The work should then be fed through the saw blade with the right hand. Only use the left hand to guide the workpiece against the fence, and remove the left hand from the work about 12 inches in front of the blade. Do not feed the workpiece with the left hand. Continue to feed material with right hand, keeping to the right of the path of the blade. After the cut is complete, use a push stick to feed cut-off piece past the blade.
2. When the workpiece is past the blade, the work will either stay on the table or tilt up slightly and be caught by the end of the guard. Alternately, the feed can continue to the end of the table, after which the work is lifted and brought along the outside edge of the fence. When ripping boards longer than three feet, use a work support at the rear of the saw to keep the workpiece from falling off the saw table.
3. If the size or shape of the workpiece would cause your hands to be within six inches of the saw blade, use a push stick to complete the cut, as shown in Fig. S9. The push stick can easily be made from scrap material as explained in the section "CONSTRUCTING A PUSH STICK."
4. Ripping narrow pieces can be dangerous if not done carefully. If possible, rip the narrow piece from the larger piece. If the workpiece is short enough, use a pushboard. (A pushboard can be constructed as shown in Fig. S10 and used as shown in Fig. S11.)



Fig. S8

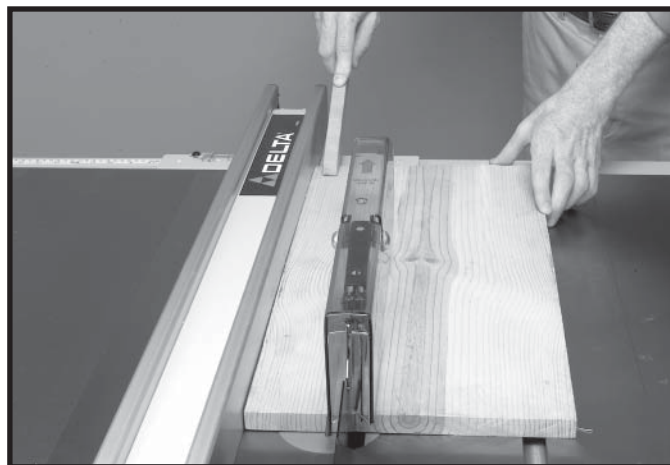


Fig. S9

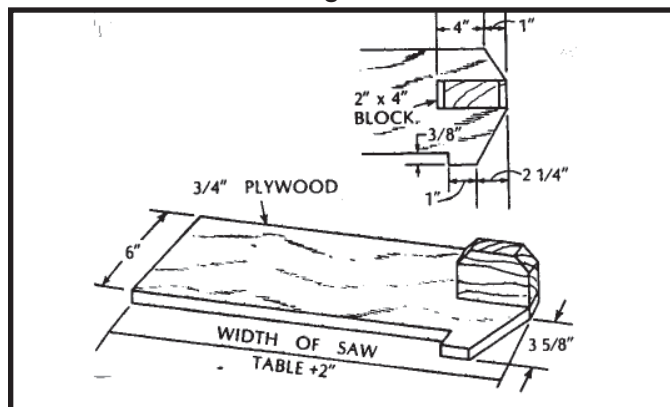


Fig. S10

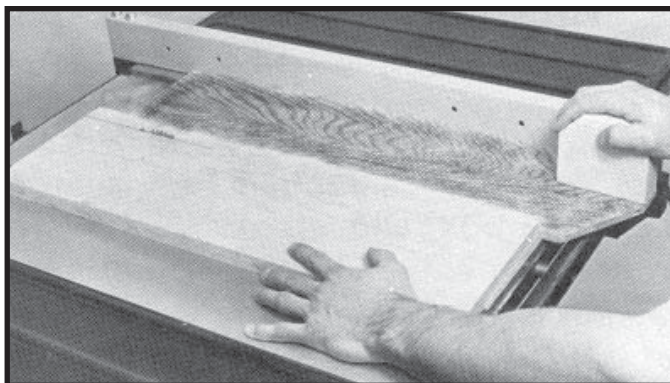


Fig. S11

NOTE: In Fig. S11, the guard and splitter have been removed for clarity. Guard and splitter should be used when ripping.

5. For longer pieces, use one or more pushsticks to avoid placing your hands between the fence and the blade. Always use care to avoid binding narrow strips between the anti-kickback pawls and the splitter.

NOTE: Some special operations (when using the moulding cutterhead) require the addition of an auxiliary wood facing to the fence, as explained in the section “**USING AUXILIARY WOOD FACING,**” and use of a push stick.

BEVEL RIPPING

Bevel ripping (as shown in Fig. S12) is the same as ripping except the bevel angle is set to an angle other than 0 degrees.

⚠ WARNING WHEN POSSIBLE, PLACE THE FENCE ON THE RIGHT SIDE OF THE BLADE SO THAT THE BLADE IS TILTED AWAY FROM THE FENCE AND HANDS. KEEP HANDS CLEAR OF THE BLADE AND USE A PUSHSTICK TO FEED THE WORKPIECE IF THERE IS LESS THAN 6” BETWEEN THE FENCE AND THE BLADE.

⚠ WARNING USE CAUTION WHEN STARTING THE CUT TO PREVENT BINDING OF THE GUARD AGAINST THE WORKPIECE.

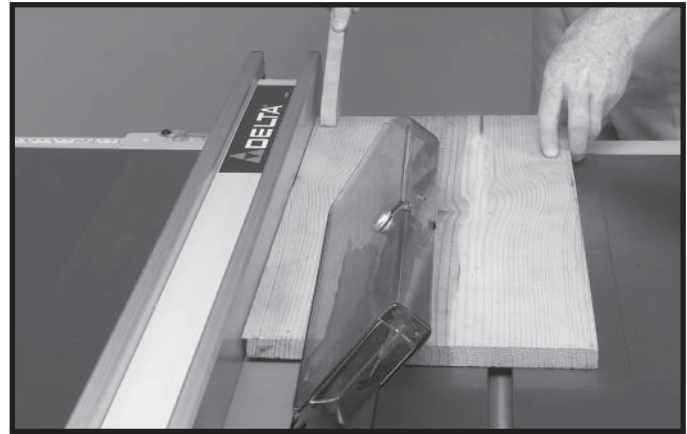


Fig. S12

USING MOULDING CUTTERHEAD

Moulding is cutting a shape on the edge or face of the work with a special moulding cutterhead.

The moulding head consists of a cutterhead in which can be mounted various shapes of steel knives, (Fig. S13). Each of the three knives in a set is fitted into a groove in the cutterhead and **securely clamped** with a screw. The knife grooves should be kept free of sawdust which would prevent the cutter from seating properly.

⚠ CAUTION FOR CERTAIN CUTTING OPERATIONS (DADOING AND MOULDING) WHERE THE WORKPIECE IS NOT CUT COMPLETELY THROUGH, THE BLADE GUARD AND SPLITTER ASSEMBLY CANNOT BE USED. LOOSEN SCREWS AT (G) AND (H) FIG. S14. LIFT UP AND REMOVE BLADE GUARD AND SPLITTER ASSEMBLY (W).

⚠ WARNING USE PUSHSTICKS, HOLD-DOWNS, JIGS, FIXTURES, OR FEATHERBOARDS TO HELP GUIDE AND CONTROL THE WORKPIECE WHEN THE GUARD CANNOT BE USED.

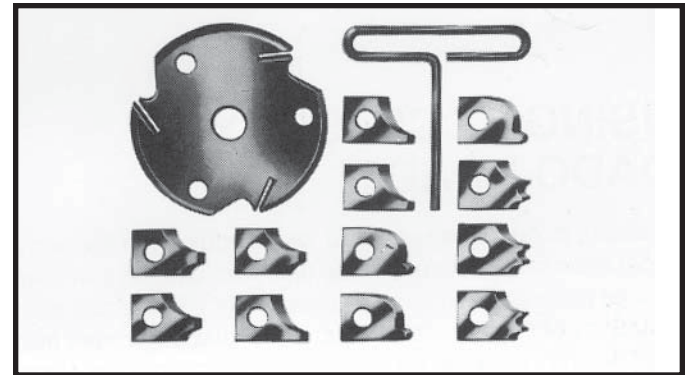


Fig. S13

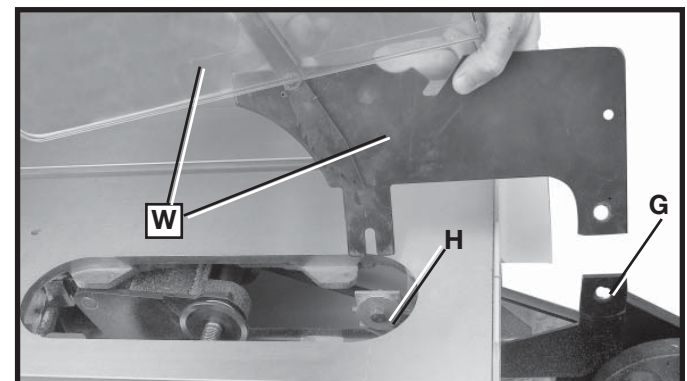


Fig. S14

NOTE: THE OUTSIDE ARBOR FLANGE CAN NOT BE USED WITH THE MOULDING CUTTERHEAD. TIGHTEN THE ARBOR NUT AGAINST THE CUTTERHEAD BODY. DO NOT LOSE THE OUTSIDE ARBOR FLANGE. IT WILL BE NEEDED WHEN REATTACHING A BLADE TO THE ARBOR.

⚠ WARNING ALWAYS RETURN AND FASTEN THE BLADE GUARD AND SPLITTER ASSEMBLY TO ITS PROPER OPERATING POSITION FOR NORMAL THRU-SAWING OPERATIONS AS SHOWN IN FIG. 39.

1. A moulding cutterhead (A) Fig. S15 can be easily assembled to the saw arbor. **Also, the accessory moulding cutterhead table insert (B) must be used in place of the standard table insert.**
2. When using the moulding cutterhead, add wood-facing (C) to the face of the rip fence (Fig. S16). The wood-facing is attached to the fence with wood screws through holes which must be drilled in the fence. Stock that is 3/4" inch thick is suitable for most work, although an occasional job may require 1 inch facing.
3. Position the wood-facing over the cutterhead with the cutterhead below the surface of the table. Turn the saw on and raise the cutterhead. The cutterhead will cut its own groove in the wood-facing. Fig. S16 shows a typical moulding operation.

⚠ WARNING NEVER USE MOULDING CUTTERHEAD IN A BEVEL POSITION.

⚠ WARNING NEVER RUN THE STOCK BETWEEN THE FENCE AND THE MOULDING CUTTERHEAD. IRREGULAR SHAPED WOOD WILL CAUSE KICKBACK.

⚠ CAUTION SPECIAL ATTENTION SHOULD BE GIVEN THE GRAIN DIRECTION. MAKE ALL CUTS IN THE SAME DIRECTION AS THE GRAIN WHENEVER POSSIBLE.

⚠ WARNING ALWAYS INSTALL BLADE GUARD AFTER OPERATION IS COMPLETE.

USING ACCESSORY DADO HEAD

⚠ WARNING THE BLADE GUARD AND SPLITTER ASSEMBLY CANNOT BE USED WHEN DADOING OR MOULDING. IT MUST BE REMOVED AS DESCRIBED IN "USING ACCESSORY MOULDING CUTTERHEAD" SECTION.

⚠ WARNING USE PUSHSTICKS, HOLD-DOWNS, JIGS, FIXTURES, OR FEATHERBOARDS TO HELP GUIDE AND CONTROL THE WORKPIECE WHEN THE GUARD CANNOT BE USED.

⚠ CAUTION THE ACCESSORY DADO HEAD SET TABLE INSERT (E) FIG. S20, MUST BE USED IN PLACE OF THE STANDARD TABLE INSERT.

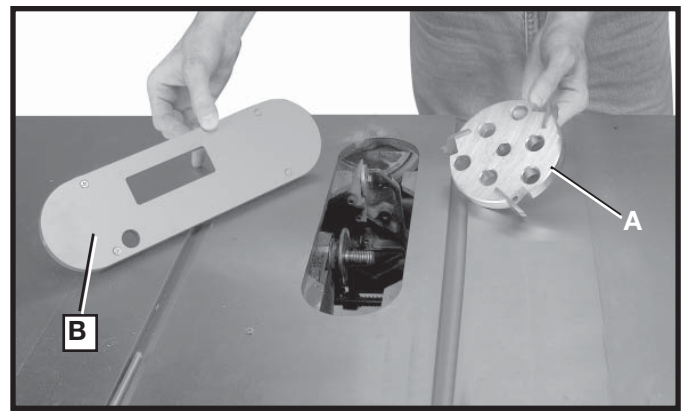


Fig. S15

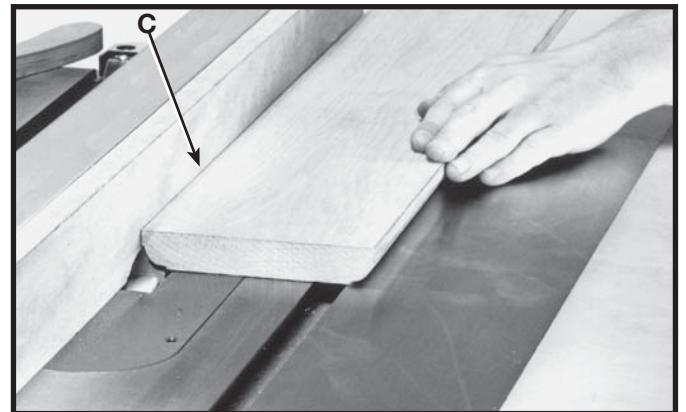


Fig. S16

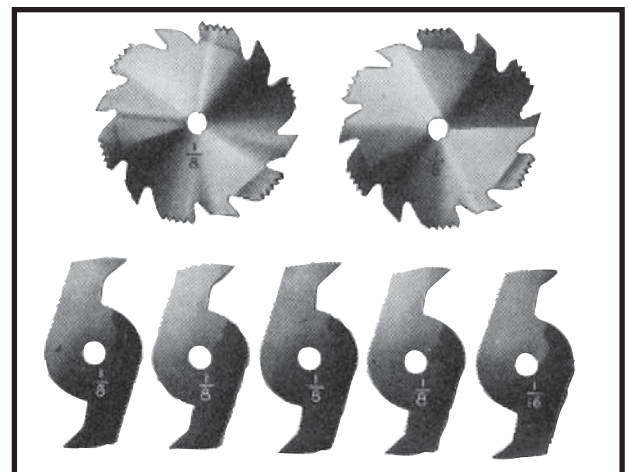


Fig. S17

1. Dadoing is cutting a rabbet or wide groove into the work. Most dado head sets are made up of two outside saws and four or five inside cutters, (Fig. S17). Various combinations of saws and cutters are used to cut grooves from 1/8" to 13/16" for use in shelving, making joints, tenoning, grooving, etc. The cutters are heavily swaged and must be arranged so that the teeth do not hit each other during rotation. The heavy portion of the cutters should fall in the gullets of the outside saws, as shown in Fig. S18. The saw and cutter overlap is shown in Fig. S19 (A) being the outside saw, (B) an inside cutter, and (C) a paper washer or washers, used as needed to control the exact width of groove. A 1/4" groove is cut by using the two outside saws. The teeth of the saws should be positioned so that the raker on one saw is beside the cutting teeth on the other saw.

⚠ CAUTION DO NOT ATTEMPT TO STACK DADO BLADES THICKER THAN 13/16" (20MM) DO NOT USE DADO BLADES LARGER THAN 8" (200MM) IN DIAMETER.

2. Attach the dado head set (D) Fig. S20, to the saw arbor. **NOTE: IF THE ARBOR NUT DOES NOT FULLY ENGAGE THE THREAD ON THE ARBOR, REMOVE THE OUTSIDE ARBOR FLANGE AND TIGHTEN THE ARBOR NUT AGAINST THE DADO HEAD SET BODY. DO NOT LOSE THE OUTSIDE ARBOR FLANGE. IT WILL BE NEEDED WHEN REATTACHING A BLADE TO THE ARBOR.**

3. Fig. S21, shows a typical dado operation using the miter gauge as a guide.

⚠ CAUTION NEVER USE THE DADO HEAD IN A BEVEL POSITION.

⚠ WARNING ALWAYS INSTALL BLADE GUARD AND STANDARD TABLE INSERT AFTER OPERATION IS COMPLETED.

USING AUXILIARY WOOD FACING

It is necessary when performing special operations such as when using the moulding cutterhead to add wood facing (A) Fig. S22, to one or both sides of the rip fence. Depending on the fence, the wood facing is attached to the fence either with wood screws through holes drilled in the fence or with two clamps (as shown in Fig. S22). For most work, 3/4" stock is suitable, although an occasional job may require one-inch facing.

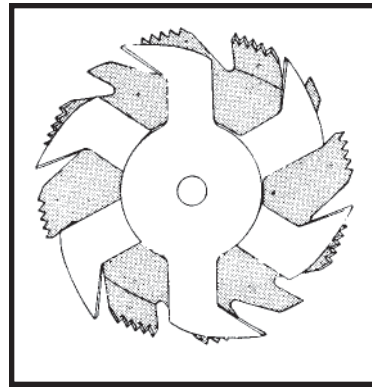


Fig. S18

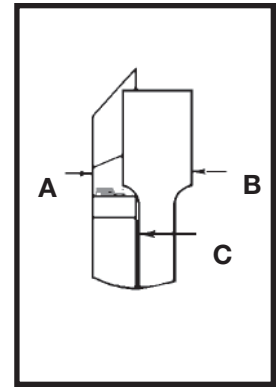


Fig. S19

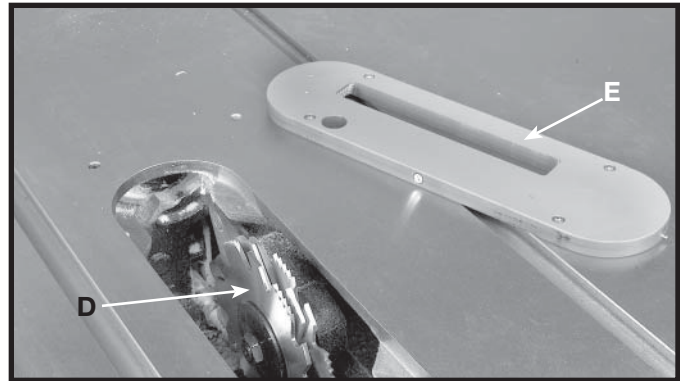


Fig. S20

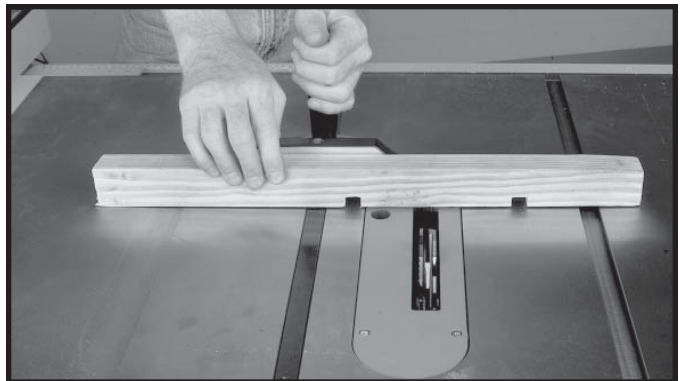


Fig. S21

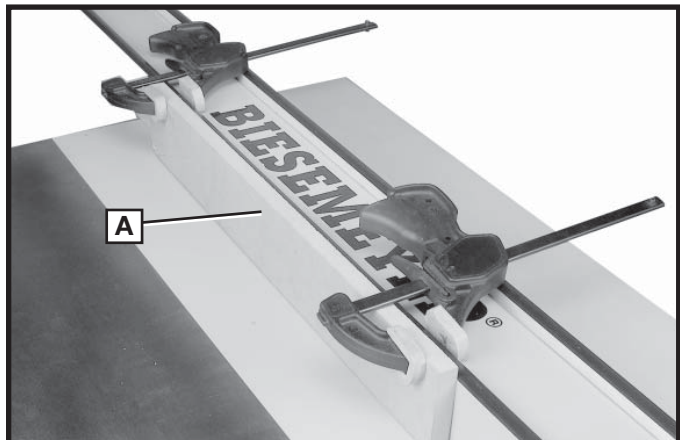


Fig. S22

CONSTRUCTING A FEATHERBOARD

Fig. S23, illustrates dimensions for making a typical featherboard. The material which the featherboard is constructed of, should be a straight piece of wood that is free of knots and cracks. Featherboards are used to keep the work in contact with the fence and table, as shown in Fig. S24, and help prevent kickbacks. Clamp the featherboards to the fence and table so that the leading edge of the featherboards will support the workpiece until the cut is completed. An 8" high flat board can be clamped to the rip fence and the featherboard can be clamped to the 8" high board.

⚠ WARNING USE FEATHERBOARDS FOR ALL NON "THRU-SAWING" OPERATIONS WHERE THE GUARD AND SPLITTER ASSEMBLY CANNOT BE USED. ALWAYS REPLACE THE GUARD AND SPLITTER ASSEMBLY WHEN THE NON THRU-SAWING OPERATION IS COMPLETED. MAKE SURE THE FEATHERBOARD PRESSES ONLY ON THE PORTION OF THE WORKPIECE IN FRONT OF THE BLADE.

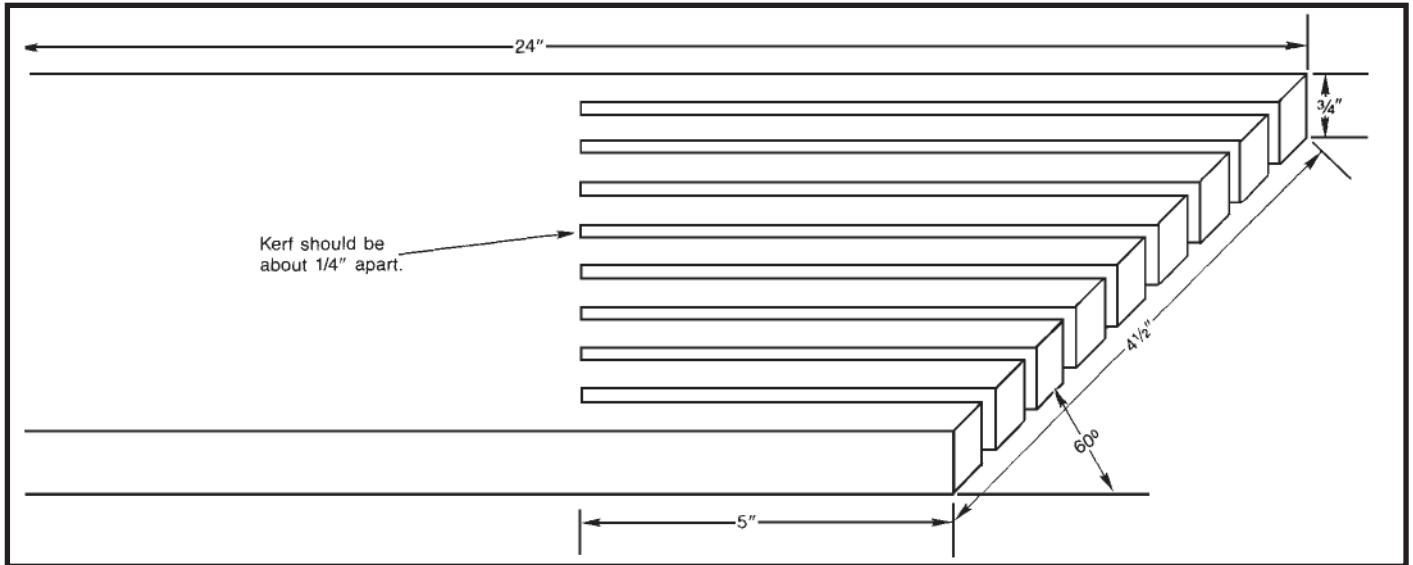


Fig. S23

Further information on the safe and proper operation of table saws is available in the Delta "Getting the Most Out of Your Table Saw" How-To Book, Catalog No. 11-400. Additional Information on table saw safety, including a table saw safety video, is available from the following:

POWER TOOL INSTITUTE
1300 Sumner Avenue
Cleveland, OH 44115-2851
www.powertoolinstitute.com

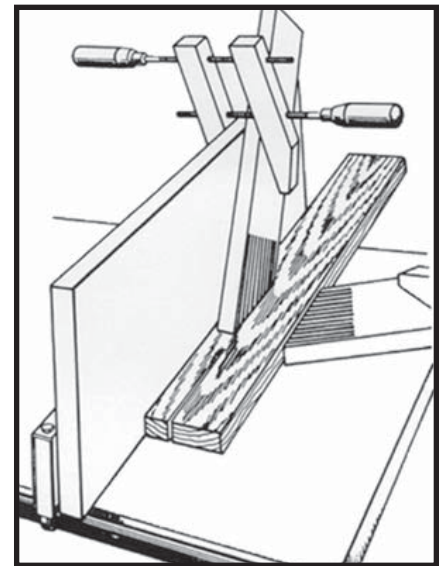


Fig. S24

TROUBLESHOOTING

For assistance with your machine, visit our website at www.deltamachinery.com for a list of service centers or call the DELTA Machinery help line at 1-800-223-7278 (In Canada call 1-800-463-3582).

CONSTRUCTING A PUSH STICK

⚠ WARNING WHEN RIPPING WORK LESS THAN 6 INCHES WIDE, A PUSH STICK SHOULD BE USED TO COMPLETE THE FEED AND COULD EASILY BE MADE FROM SCRAP MATERIAL BY FOLLOWING THE PATTERN SHOWN IN FIG. S25.

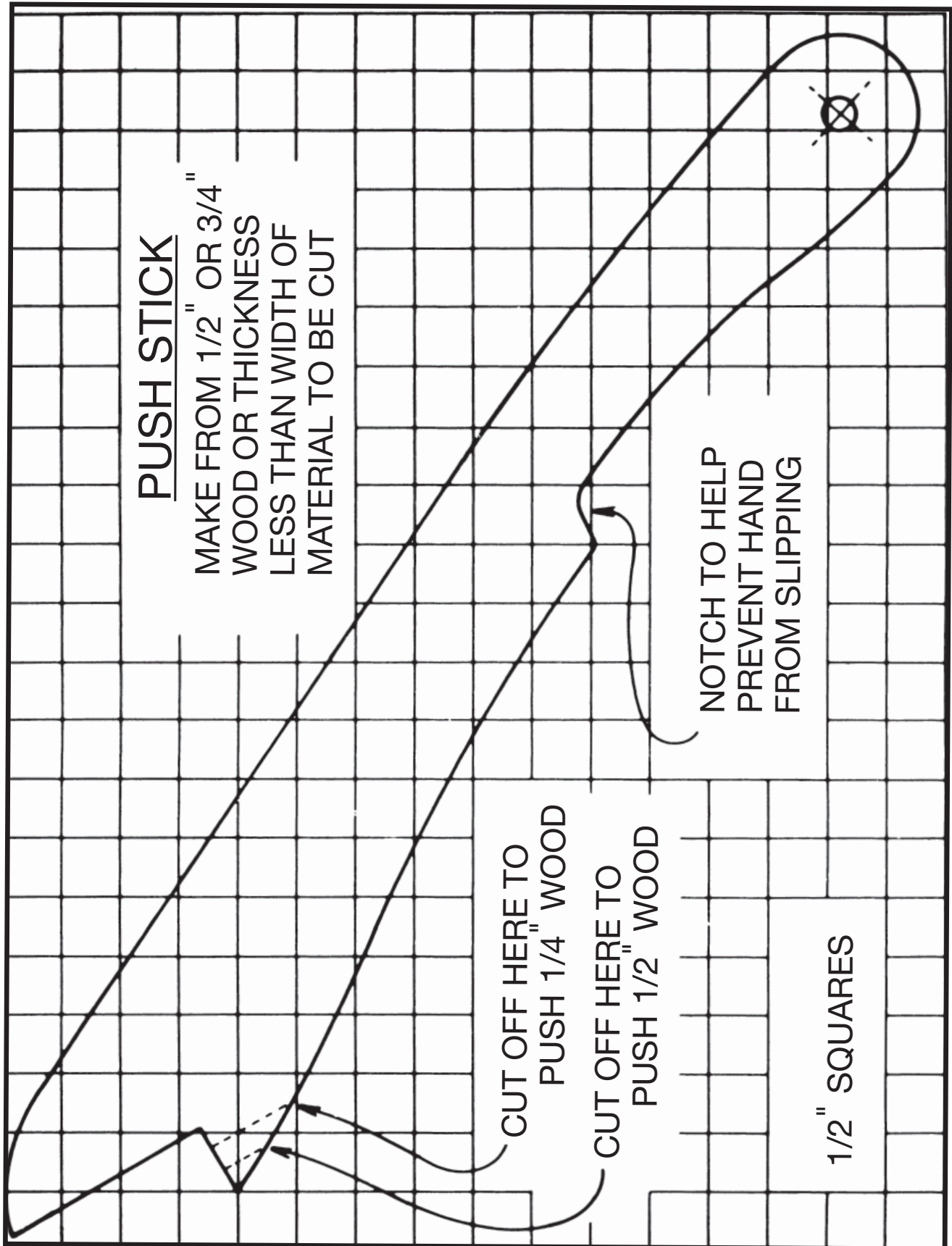
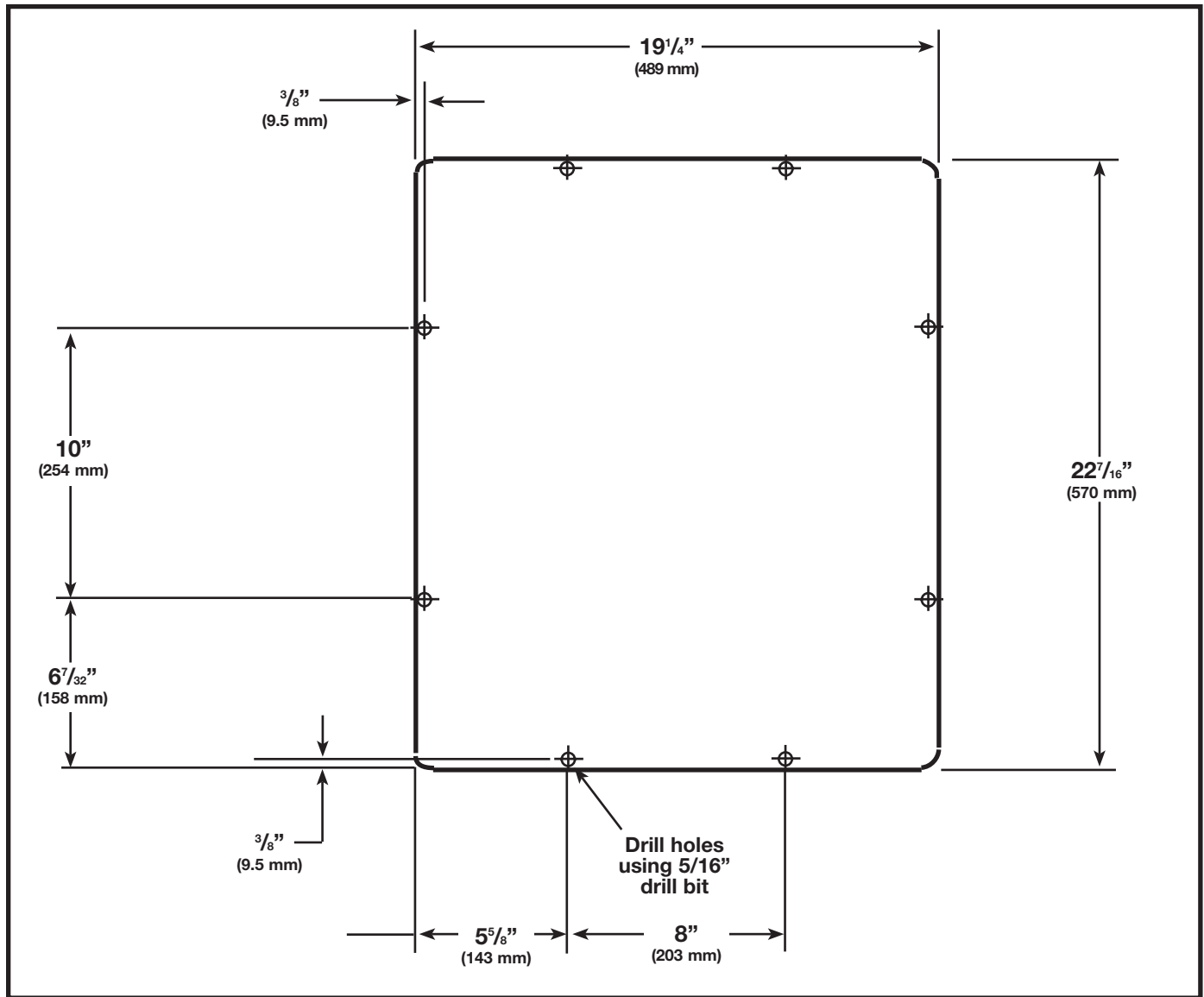


Fig. S25

SHELF MEASUREMENTS

If you desire to make a shelf for your saw, use the diagram below for the size of plywood and placement of holes. Be sure to attach the shelf to the stand and mobility kit while it is still upside down during the assembly procedure. The shelf, once cut, will be attached by driving wood screws through the holes in the overhang of the leg supports.



MAINTENANCE

KEEP MACHINE CLEAN

Periodically blow out all air passages with dry compressed air. All plastic parts should be cleaned with a soft damp cloth. NEVER use solvents to clean plastic parts. They could possibly dissolve or otherwise damage the material.

⚠ WARNING WEAR CERTIFIED SAFETY EQUIPMENT FOR EYE, HEARING AND RESPIRATORY PROTECTION WHILE USING COMPRESSED AIR.

FAILURE TO START

Should your machine fail to start, check to make sure the prongs on the cord plug are making good contact in the outlet. Also, check for blown fuses or open circuit breakers in the line.

LUBRICATION & RUST PROTECTION

Apply household floor paste wax to the machine table and

extension table or other work surface weekly. Or use a commercially available protective product designed for this purpose. Follow the manufacturer's instructions for use and safety.

To clean cast iron tables of rust, you will need the following materials: a pushblock from a jointer, a sheet of medium Scotch-Brite™ Blending Hand Pad, a can of WD-40® and a can of degreaser. Apply the WD-40 and polish the table surface with the Scotch-Brite pad using the pushblock as a holddown. Degrease the table, then apply the protective product as described above.

BLADE RAISING AND BEVELING

If the blade raising and leveling mechanisms become difficult to operate, clean sawdust from the worm and sector gears (shown in Fig. 71). Apply a graphite-based lubricant that will not attract and hold dust.

SERVICE

REPLACEMENT PARTS

When servicing use only identical replacement parts. Check the parts list included for more information. Parts lists can also be found online at www.deltamachinery.com.

SERVICE AND REPAIRS

All quality tools will eventually require servicing, or replacement of parts due to wear from normal use. For

assistance with your tool, visit our website at www.deltamachinery.com for a list of service centers or call the Customer Care Department at 1-800-223-7278. All repairs made by our service centers are fully guaranteed against defective material and workmanship. We cannot guarantee repairs made or attempted by others. Should you have any questions about your tool, feel free to write us at any time. In any communications, please give all information shown on the nameplate of your tool (model number, type, serial number, etc.).

ACCESSORIES

A complete line of accessories is available from your Delta Supplier, Porter-Cable • Delta Factory Service Centers, and Delta Authorized Service Stations. Please visit our Web Site www.deltamachinery.com for a catalog or for the name of your nearest supplier.

▲WARNING

SINCE ACCESSORIES OTHER THAN THOSE OFFERED BY DELTA HAVE NOT BEEN TESTED WITH THIS PRODUCT, USE OF SUCH ACCESSORIES COULD BE HAZARDOUS. FOR SAFEST OPERATION, ONLY DELTA RECOMMENDED ACCESSORIES SHOULD BE USED WITH THIS PRODUCT.

MODEL	DESCRIPTION
34-254	6" Dado table insert
34-264	7" and 8" Dado table insert
34-453	Moulding cutterhead table insert
36-U30	30" Capacity Unifence
36-B30	30" Capacity Biesemeyer Commercial Fence
36-T30	30" Capacity T ² Fence
78-850	Extension Table

WARRANTY

To register your tool for warranty service visit our website at www.deltamachinery.com.

Two Year Limited New Product Warranty

Delta will repair or replace, at its expense and at its option, any new Delta machine, machine part, or machine accessory which in normal use has proven to be defective in workmanship or material, provided that the customer returns the product prepaid to a Delta factory service center or authorized service station with proof of purchase of the product within two years and provides Delta with reasonable opportunity to verify the alleged defect by inspection. For all refurbished Delta product, the warranty period is 180 days. Delta may require that electric motors be returned prepaid to a motor manufacturer's authorized station for inspection and repair or replacement. Delta will not be responsible for any asserted defect which has resulted from normal wear, misuse, abuse or repair or alteration made or specifically authorized by anyone other than an authorized Delta service facility or representative. Under no circumstances will Delta be liable for incidental or consequential damages resulting from defective products. This warranty is Delta's sole warranty and sets forth the customer's exclusive remedy, with respect to defective products; all other warranties, express or implied, whether of merchantability, fitness for purpose, or otherwise, are expressly disclaimed by Delta.

The following are trademarks of PORTER-CABLE • DELTA (Las siguientes son marcas registradas de PORTER-CABLE • DELTA S.A.) (Les marques suivantes sont des marques de fabricant de la PORTER-CABLE • DELTA): Auto-Set®, BAMMER®, B.O.S.S.®, Builder's Saw®, Contractor's Saw®, Contractor's Saw II™, Delta®, DELTACRAFT®, DELTAGRAM™, Delta Series 2000™, DURATRONIC™, Emc²™, FLEX®, Flying Chips™, FRAME SAW®, Grip Vac™, Homecraft®, Jet-Lock®, JETSTREAM®, 'kickstand®, LASER-LOC®, MICRO-SET®, Micro-Set®, MIDI LATHE®, MORTEN™, NETWORK™, OMNIJIG®, POCKET CUTTER®, PORTA-BAND®, PORTA-PLANE®, PORTER-CABLE®(design), PORTER-CABLE®PROFESSIONAL POWER TOOLS, PORTER-CABLE REDEFINING PERFORMANCE™, Posi-Matic®, Q-3®(design), QUICKSAND®(design), QUICKSET™, QUICKSET II®, QUICKSET PLUS™, RIPTIDE™(design), SAFE GUARD II®, SAFE-LOC®, Sanding Center®, SANDTRAP®(design), SAW BOSS®, Sawbuck™, Sidekick®, SPEED-BLOC®, SPEEDMATIC®, SPEEDTRONIC®, STAIR EASE®, The American Woodshop®(design), The Lumber Company®(design), THE PROFESSIONAL EDGE®, THE PROFESSIONAL SELECT®, THIN-LINE™, TIGER®, TIGER CUB®, TIGER SAW®, TORQBUSTER®, TORQ-BUSTER®, TRU-MATCH™, TWIN-LITE®, UNIGUARD®, Unifence®, UNIFEEDER™, Unihead®, Uniplane™, Unirip®, Unisaw®, Univise®, Versa-Feeder®, VERSA-PLANE®, WHISPER SERIES®, WOODWORKER'S CHOICE™.

Trademarks noted with ™ and ® are registered in the United States Patent and Trademark Office and may also be registered in other countries. Las Marcas Registradas con el signo de ™ y ® son registradas por la Oficina de Registros y Patentes de los Estados Unidos y también pueden estar registradas en otros países. Marques déposées, indiquées par la lettre ™ et ®, sont déposées au Bureau des brevets d'invention et marques déposées aux Etats-Unis et pourraient être déposées aux autres pays.



Delta Machinery
4825 Highway 45 North
Jackson, TN 38305
www.deltamachinery.com