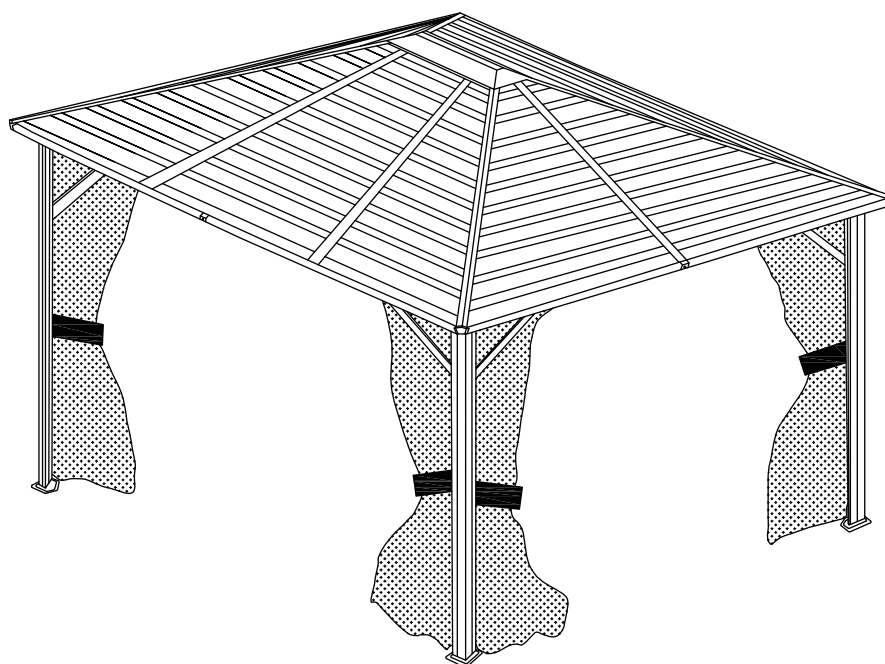




**10'X12' CAESAR HARDTOP GAZEBO**

# **ASSEMBLY MANUAL**



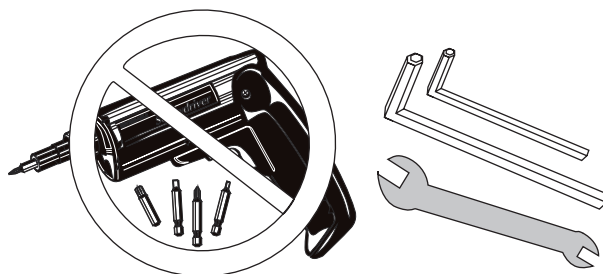
**KOZYARD LLC PRODUCTS**

[www.kozyard.com](http://www.kozyard.com)

# IMPORTANT

Read this assembly manual **PRIOR**  
to start assembly of the product.

The hardtop gazebo must be **ANCHORED** by  
appropriate screws based on the flooring  
where is being anchored to.



## OPERATION

1. Hard top gazebo is a four-season products, meaning that it may be left up year-round. However, any accumulation of snow must always be removed from the roof of the unit.
2. The unit must be anchored using the appropriate screws based on the flooring which it is being anchored to (not included).
3. Check all screws for tightness before and during use of the unit. Tighten the screws at least twice a year.
4. If your product allows it, remove fabric mosquito nets, mica and fabric curtains for winter storage.

## FABRIC ROOF SUN SHELTERS

1. Mosquito nets must be removed and stored
2. The unit must be anchored using the appropriate chored to (not included).
3. Check all screws for tightness before and during the usage of the unit. Tighten the screws at least twice a year.
4. Do not hang any items to the structure.

## SAFETY INFORMATION

1. It is very important to read and follow the safety precautions before assembly and during the use of the product.
2. Keep all children and pets away from assembly area. When assembling and using this product, basic safety precautions must always be followed to reduce risks of personal injuries and damages to the product and its surroundings.
3. Ensure that all the parts are in the boxes before starting the assembly. It is recommended to wear protective gloves since some of the parts have sharp edges.
4. Your hard top gazebo will take at least 6 hours to put up. You must schedule enough time to complete the assembly. You cannot leave the product unattended if it is not fully assembled, even if bolted to the ground. It is recommended to be at least 2 people for a safe assembly of the product.
5. Begin the assembly and install the product more than 1.8 m (6 ft.) away from any obstructions including, but not limited to, a fence, overhanging branches, a laundry line or electrical wires and as much as possible in a place protected from the wind.
6. Always install the product on a leveled platform, your hard top gazebo must be anchored to either wood or concrete using the appropriate screws for the chosen.
7. Check all screws for tightness before and during the use of the product. Tighten the screws at least twice a year.
8. Do not place any type of heat source on/under the structure or within 1.5 m (5 ft.) of the unit including, but not limited to, a barbecue or a space heater.
9. Do not install the product in a space where there is the possibility of high winds.

## CARE AND CLEANING

1. For cleaning: use a domestic soap or a soft detergent and wash with warm water using a sponge or fabric cloth. Rinse with clean water.
2. Snow must always be removed from the roof of the unit.

## PLANNING ASSEMBLY

1. It is the consumer's responsibility to comply with building rules, regulations/zoning restrictions orders or any other regional restrictions and obtain the required permits before purchasing this product and installing it
2. Make sure that every part is in the box before beginning installation.
3. Some parts may have sharp edges; it is recommended to wear gloves, protection glasses and closed shoes.
4. You must schedule enough time to complete the assembly.
5. You cannot leave the product unattended if it is not fully assembled, even if bolted to the ground.
6. A minimum of 3 people is required for a safe assembly of the product.
7. Follow each instruction carefully to ensure the strength of the product.
8. To avoid damages to the product and its parts, use the proper tools. Do not use the product as a support. The use of a ladder is recommended.
9. Keep the instruction manual and the parts list in case of future needs or references.
10. Do not assemble the product in days of wind or rain.

**REQUIRED TOOLS (NOT INCLUDED)**



**SAFETY GOOGLE**



**STEPLADDER**



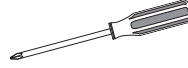
**LEVEL**



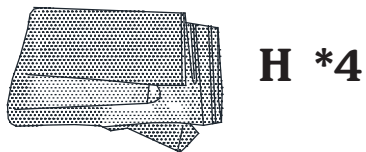
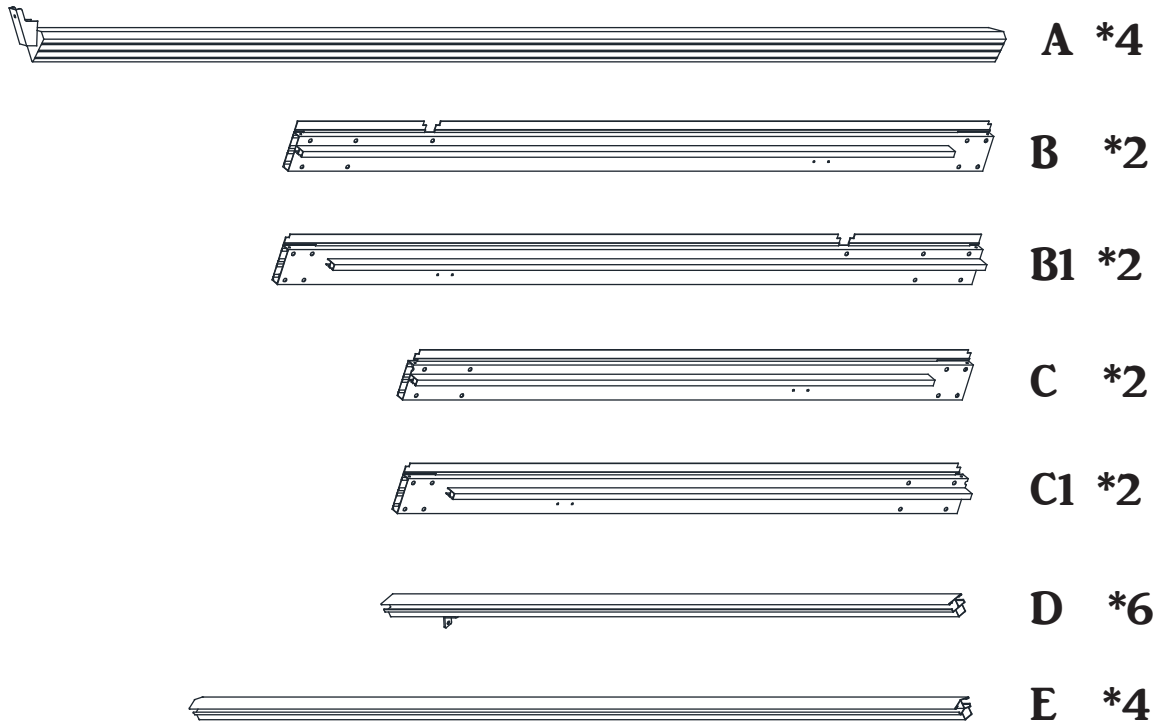
**GLOVES**



**SAFETY HAT**




**PHILLIPS SCREW DRIVER**

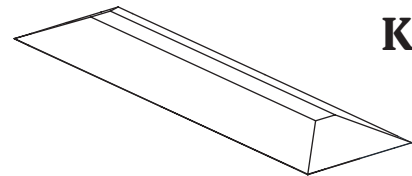


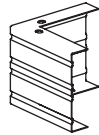
ITEM	DESCRIPTION	QTY
A	COLUMN	4
B	OGEE	2
B1	OGEE	2
C	OGEE	2
C1	OGEE	2
D	ROOF BAR	6
E	CORNER ROOF BAR	4
F	CONNECT BAR	4
F1	CONNECT BAR	4
H	MOSQUITO SIDEWALL	4


 **G1 \*4**

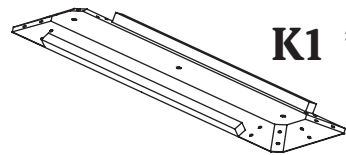
 **G2 \*4**


 **G3 \*2**

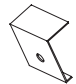
 **K \*1**


**J1 \*4**  


**J2 \*4**  


**K1 \*1**  


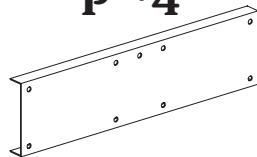
**L \*4**  


**M1 \*6**  


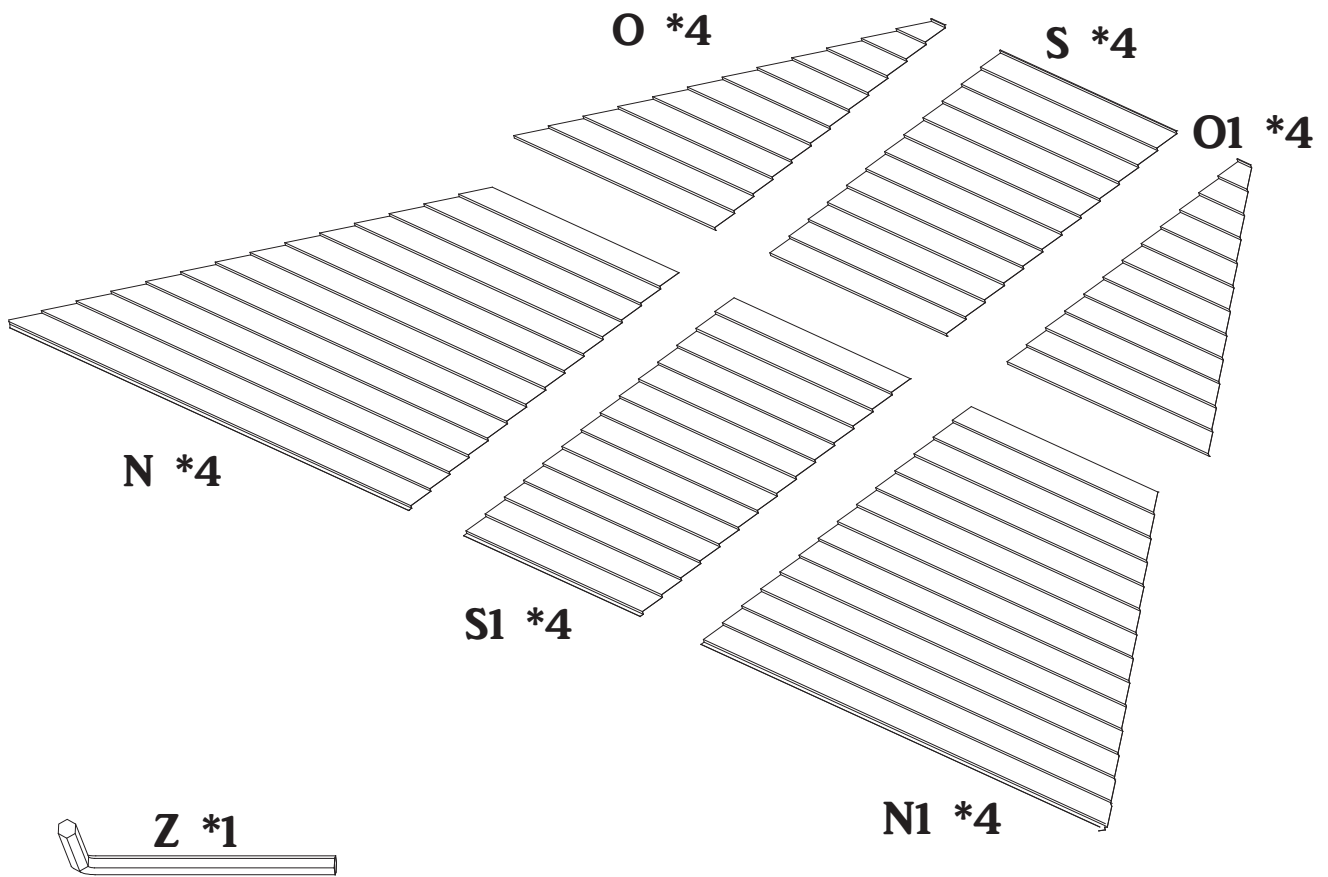
 **Q \*36**  
**FOR SIDEWALL  
(OPTIONAL)**

**M2 \*4**  


 **Q \*36**  
**FOR MOSQUITO**

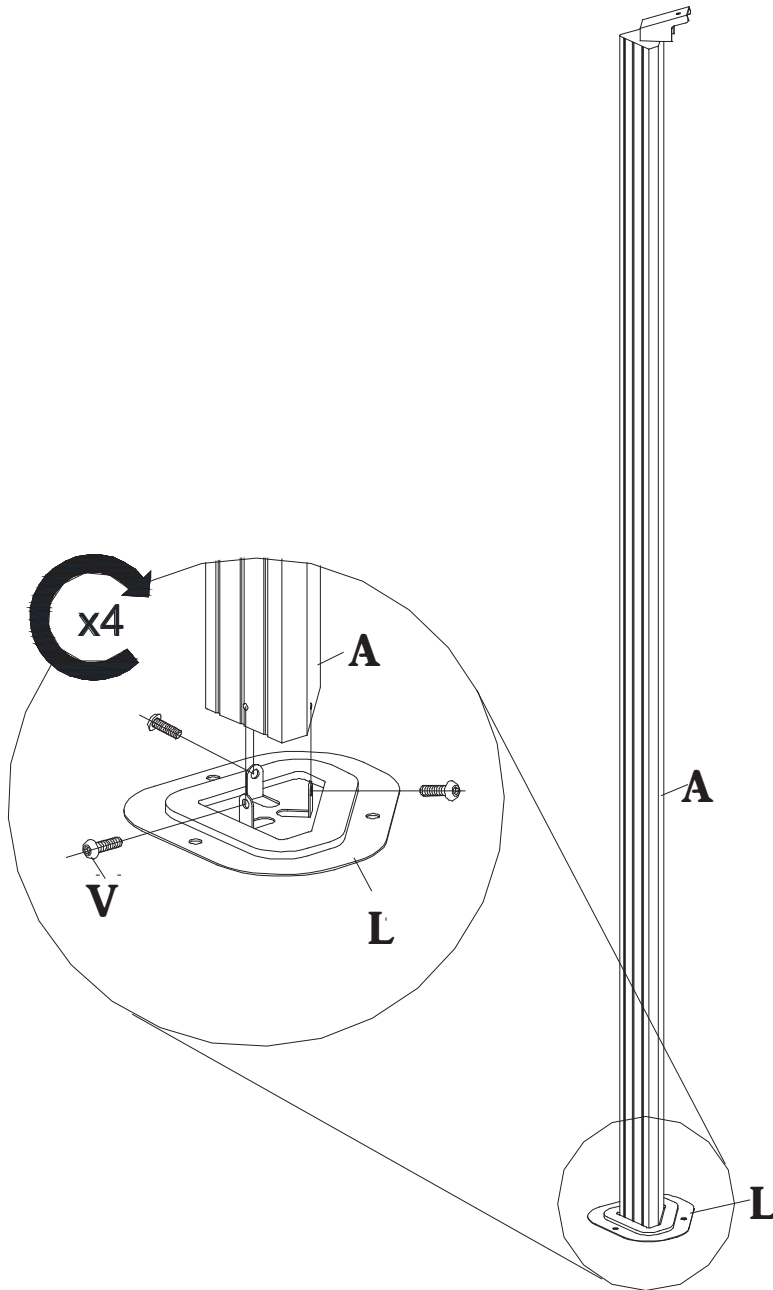
**P \*4**  


ITEM	DESCRIPTION	QTY
G1	CORNER ROOF BAR	4
G2	EAVE COVER	4
G3	EAVE COVER	4
J1	OGEE CONNECT COVER	4
J2	OGEE CONNECT COVER	4
K	OUTSIDE ROOF CONNECTOR	1
K1	OUTSIDE ROOF CONNECTOR	1
L	BASE	4
M1	EAVE CONNECTOR END	6
M2	FINISHING END	4
P	UNION BAR	4
Q	HOOK	36

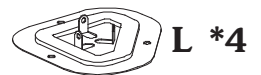


ITEM	DESCRIPTION	QTY
O	ROOF PANEL	4
O1	ROOF PANEL	4
S	ROOF PANEL	2
S1	ROOF PANEL	2
N	ROOF PANEL	4
N1	ROOF PANEL	4
V	SCREW M6X15	93
WA	HOOK	2
X	SCREW M6X10	32
X1	SCREW M4X8	20
Y	SCREW ST4.8X12	60
Z	ALEEN KEY	1

# STEP-1

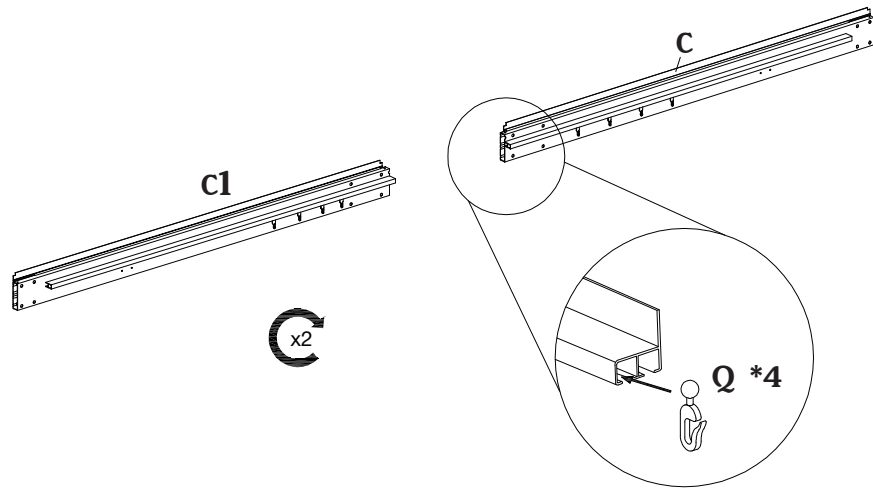
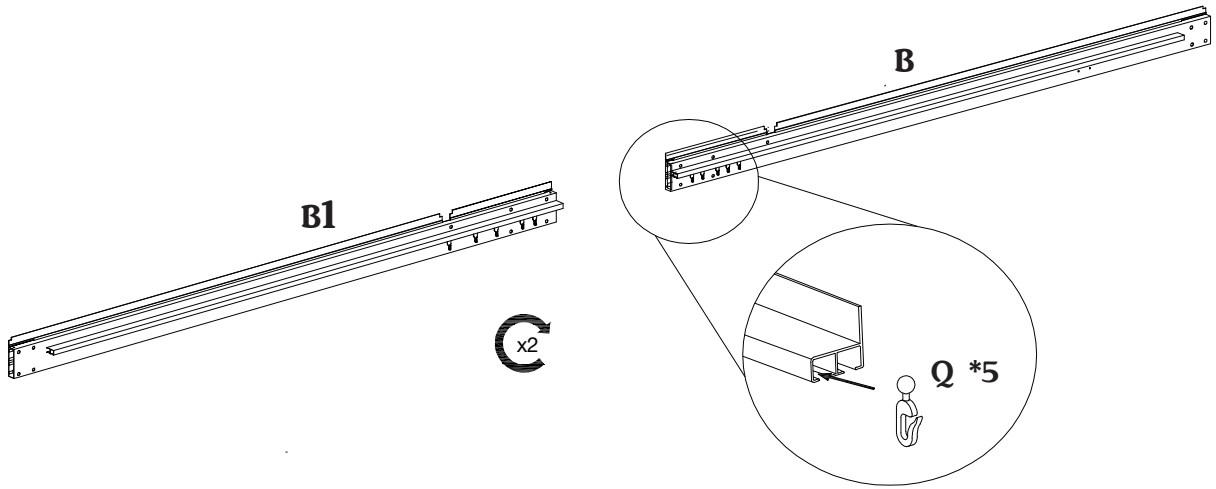


## PARTS REQUIRED FOR THIS STEP:

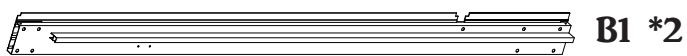
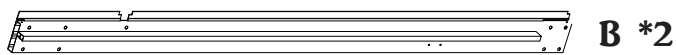




# STEP-2



## PARTS REQUIRED FOR THIS STEP:



Q \*36



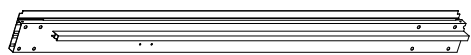
FOR MOSQUITO



Q \*36

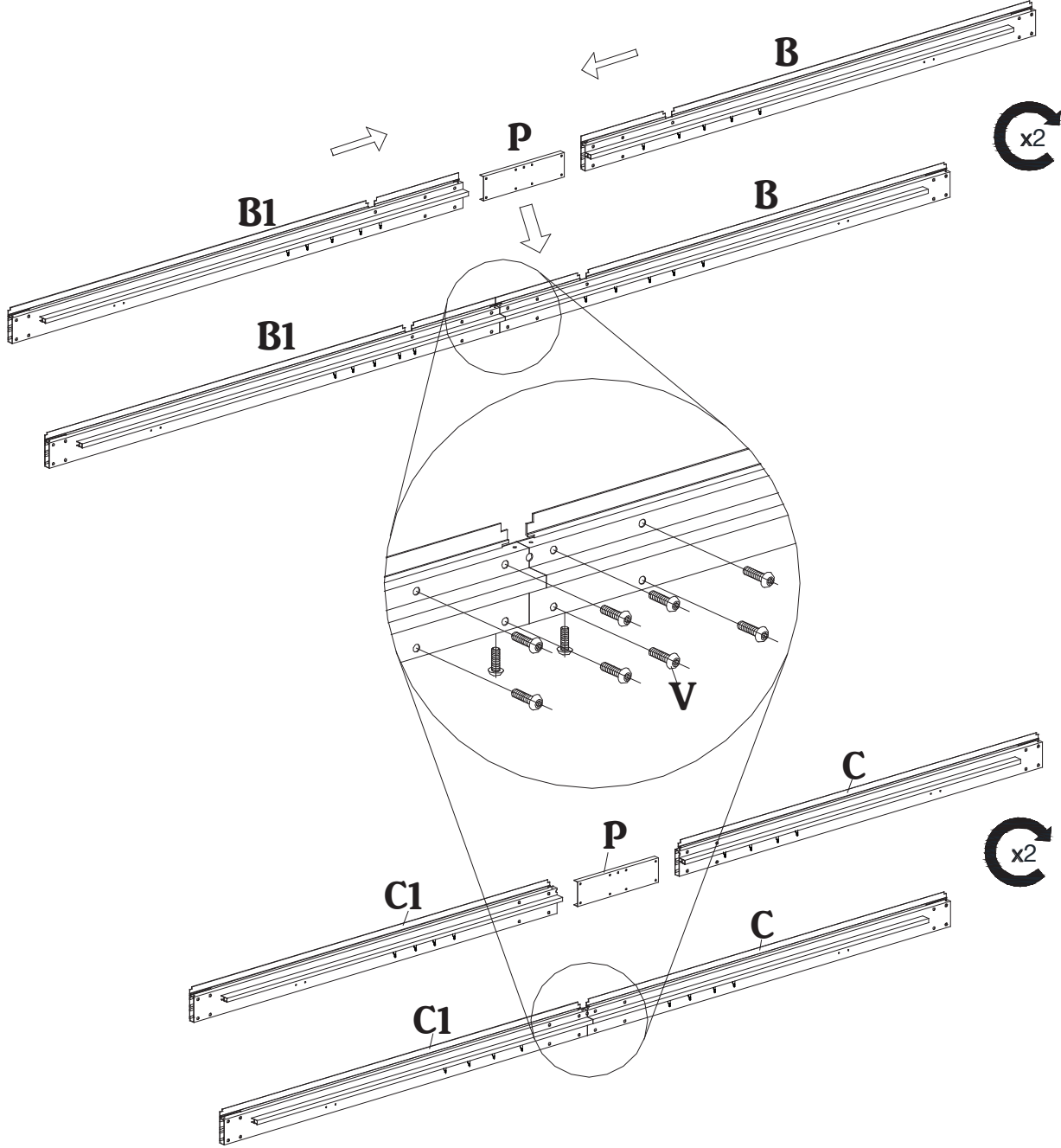


FOR SIDEWALL  
(OPTIONAL)

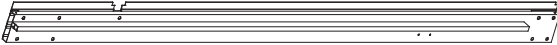
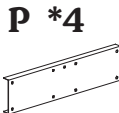
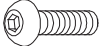





C1X2

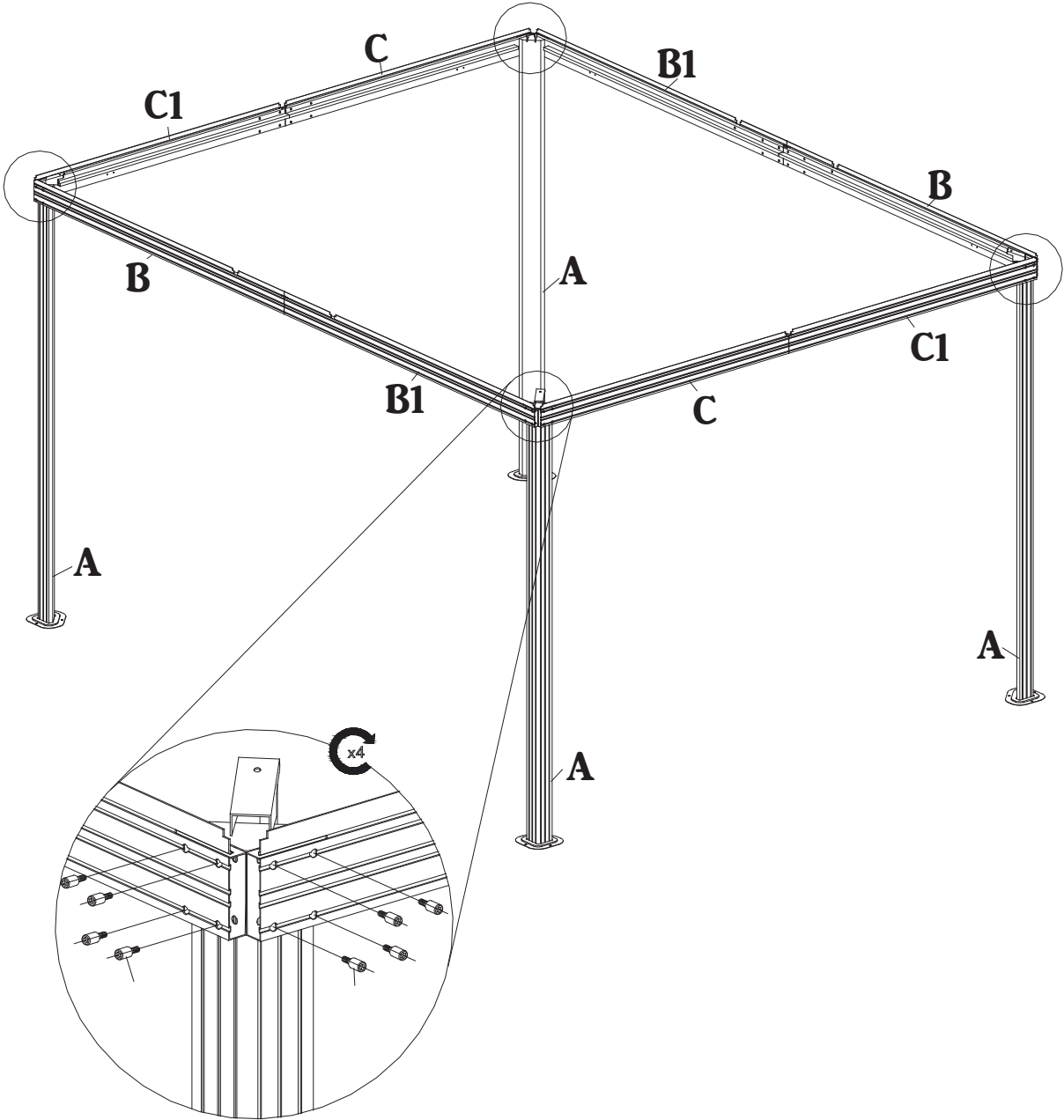
# STEP-3



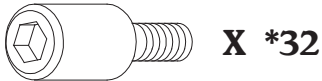
**PARTS REQUIRED FOR THIS STEP:**

- |  |  |  |
|--|--|--|
|  <b>B *2</b>  |  <b>P *4</b> |  <b>V *40</b> |
|  <b>B1 *2</b> |  |  |
|  <b>C *2</b>  |              |  |

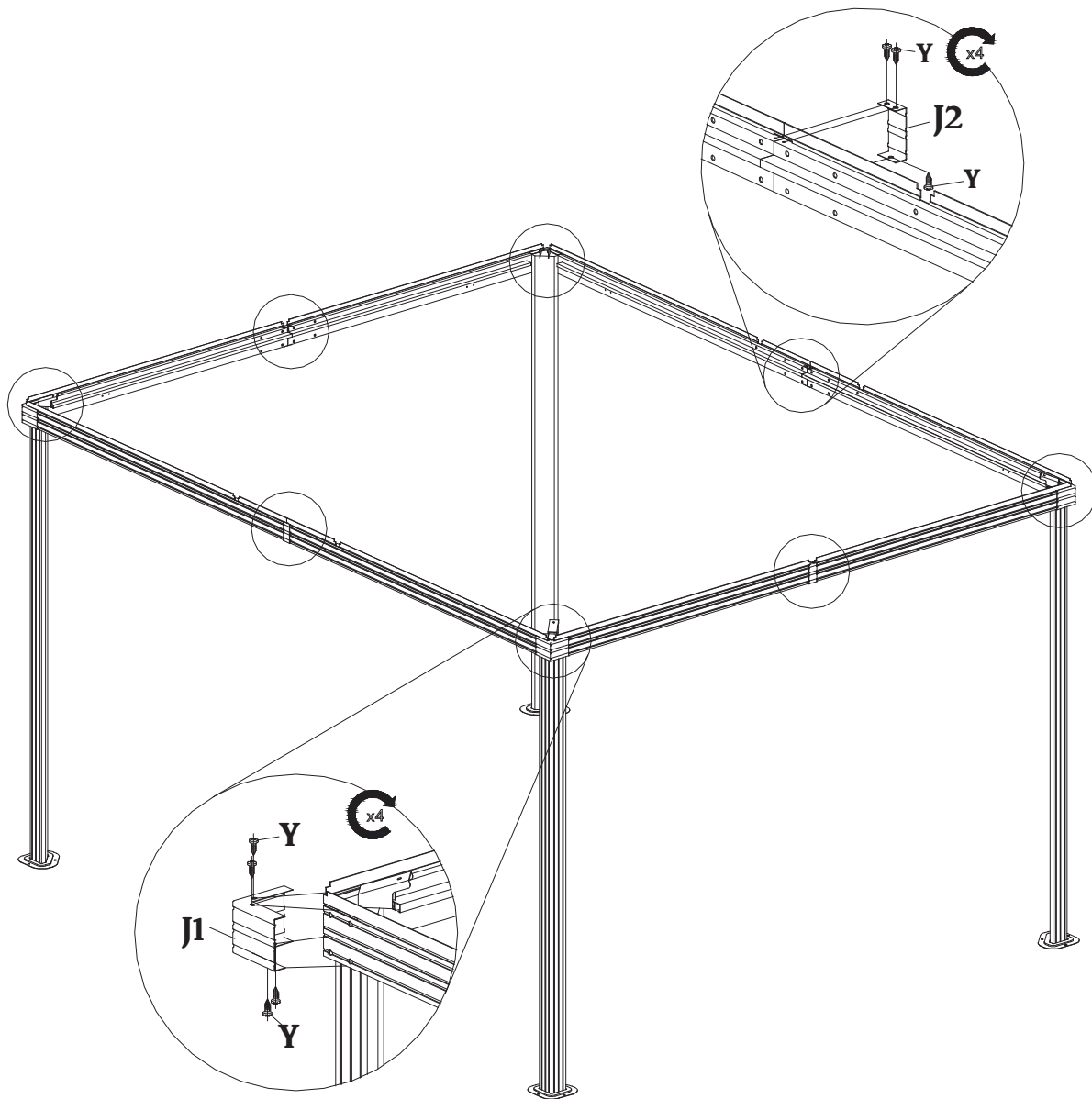
# STEP-4



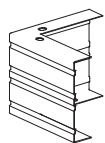
PARTS REQUIRED FOR THIS STEP:



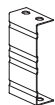
# STEP-5



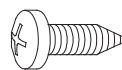
## PARTS REQUIRED FOR THIS STEP:



**J1 \*4**

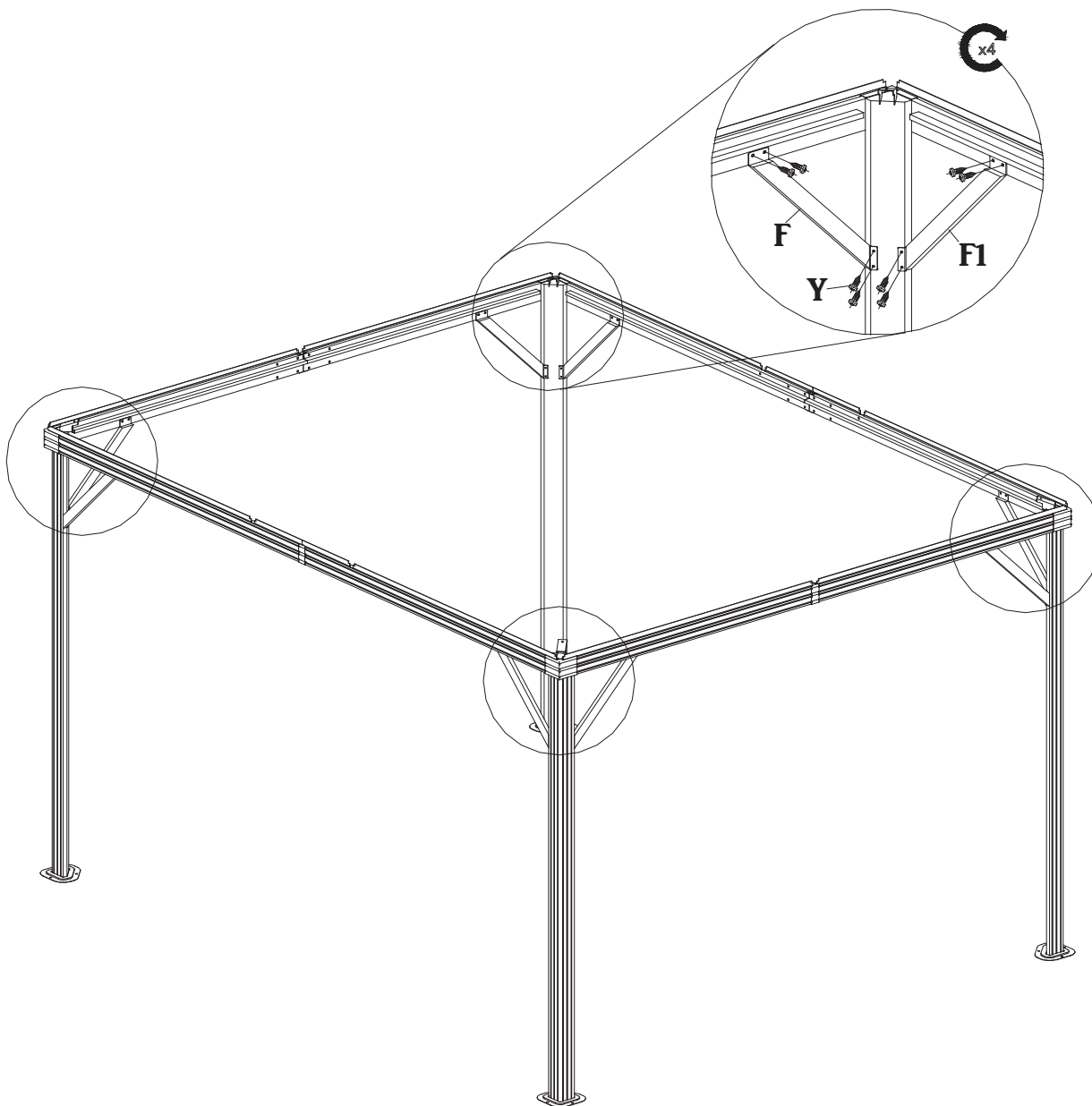


**J2 \*4**

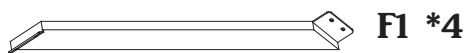


**Y \*28**

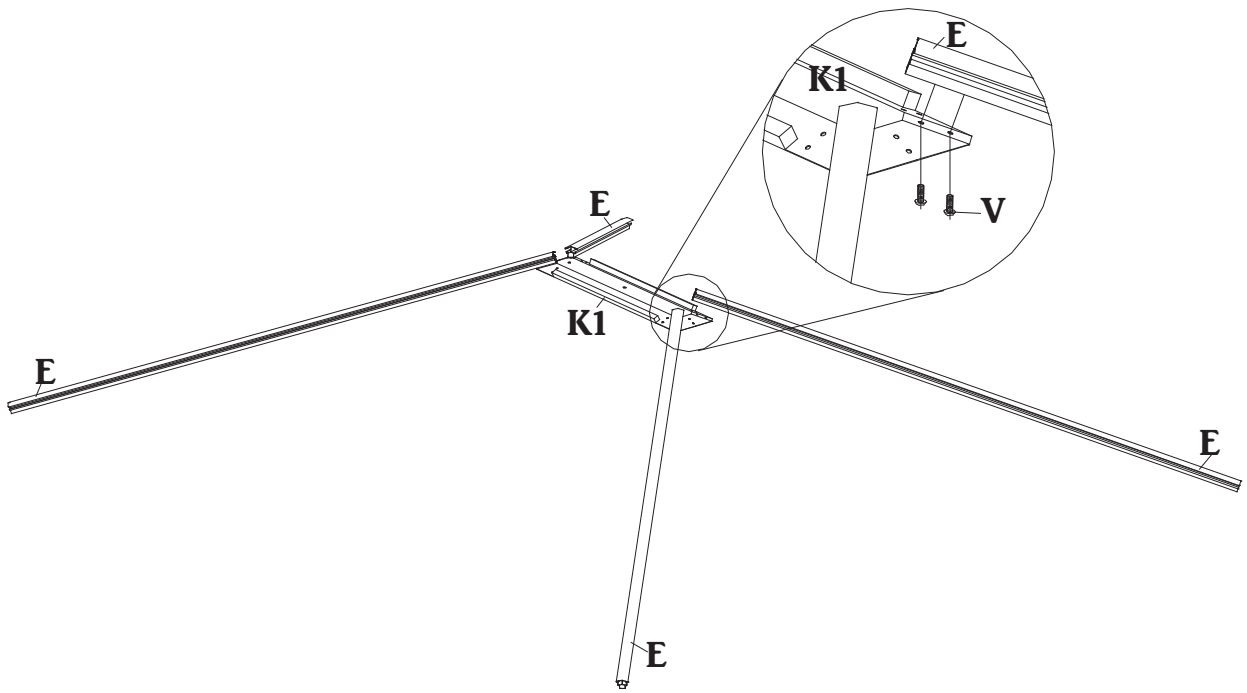
# STEP-6



**PARTS REQUIRED FOR THIS STEP:**



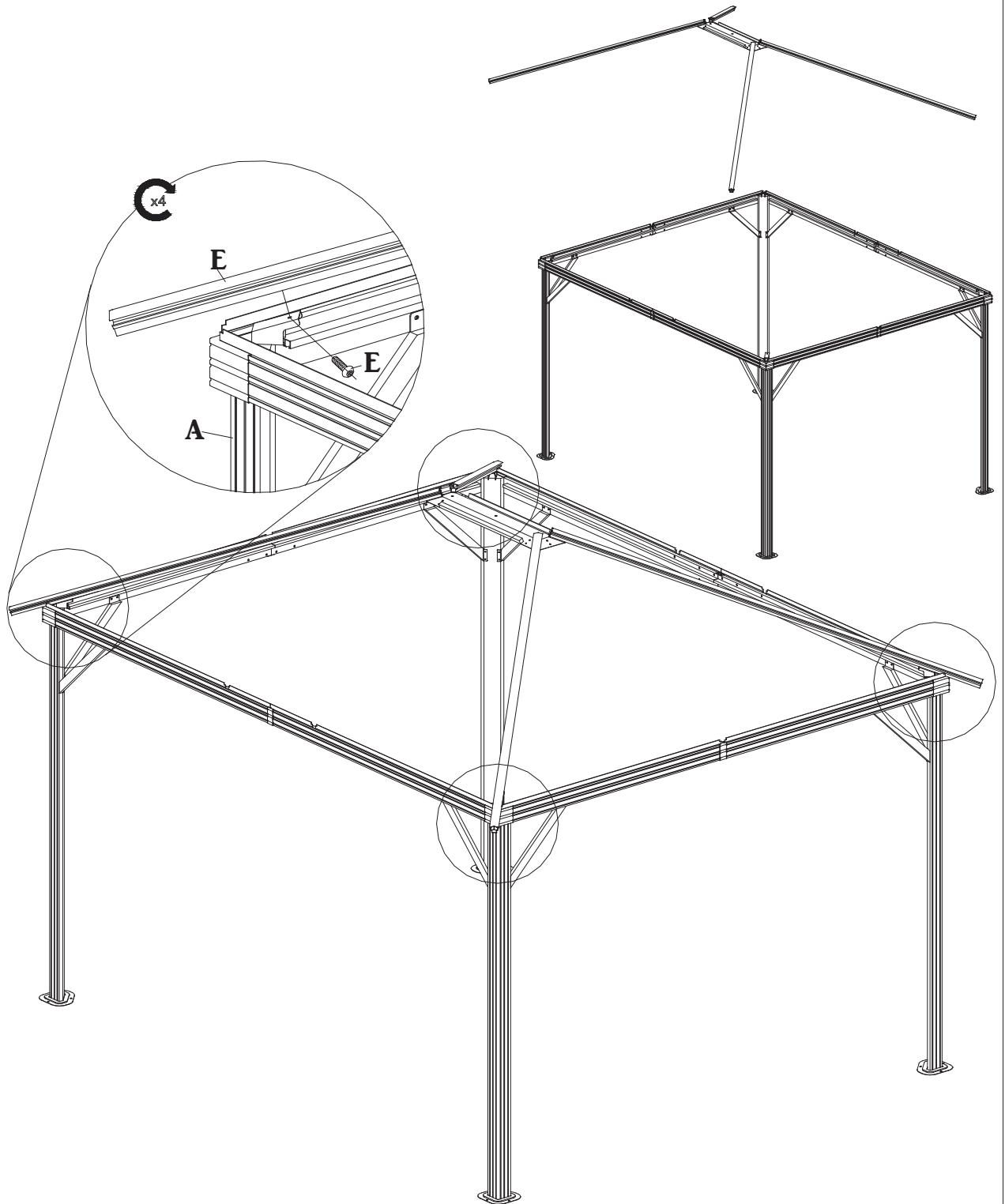
# STEP-7



## PARTS REQUIRED FOR THIS STEP:



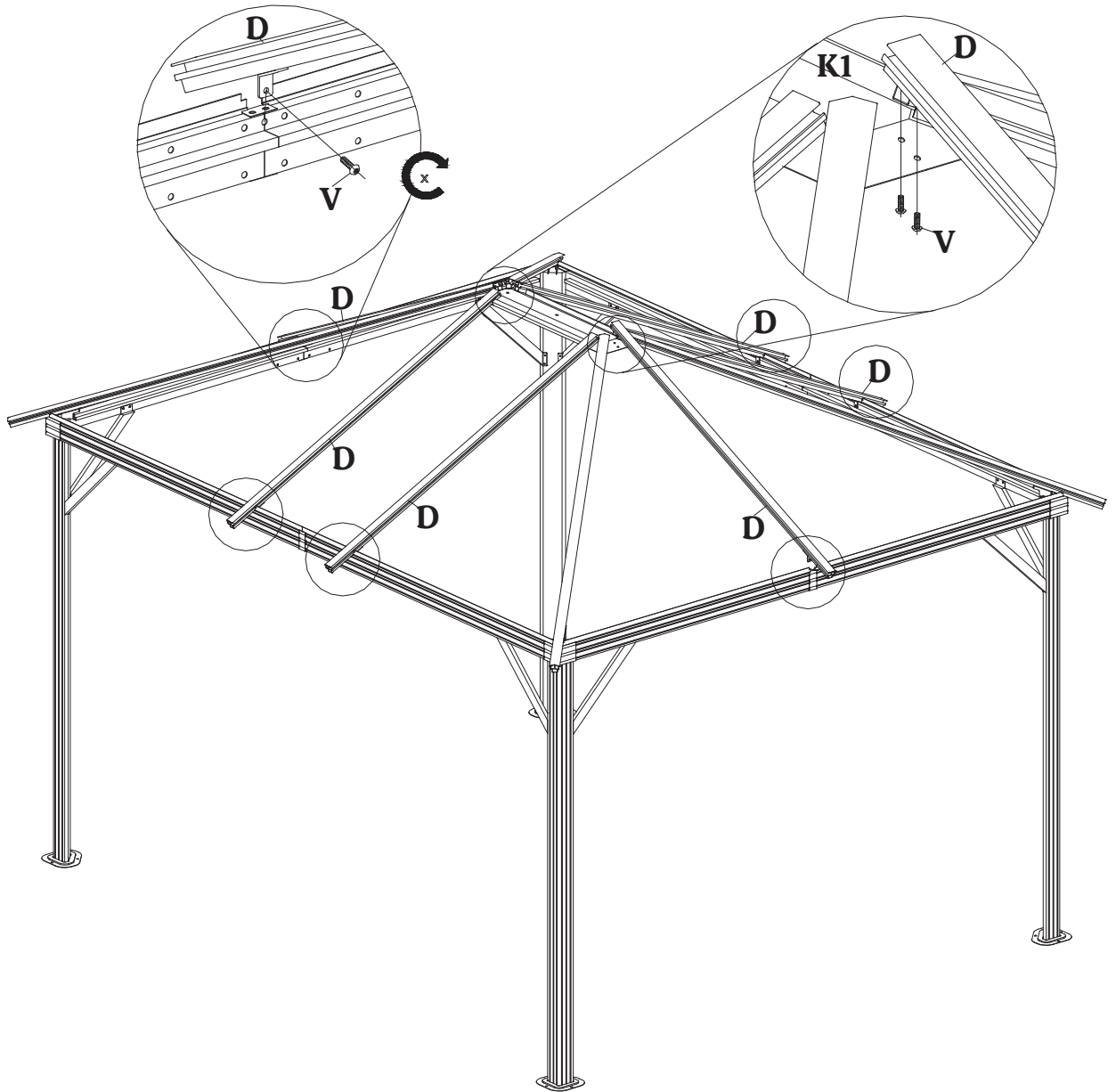
# STEP-8



**PARTS REQUIRED FOR THIS STEP:**



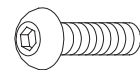
# STEP-9



**PARTS REQUIRED FOR THIS STEP:**



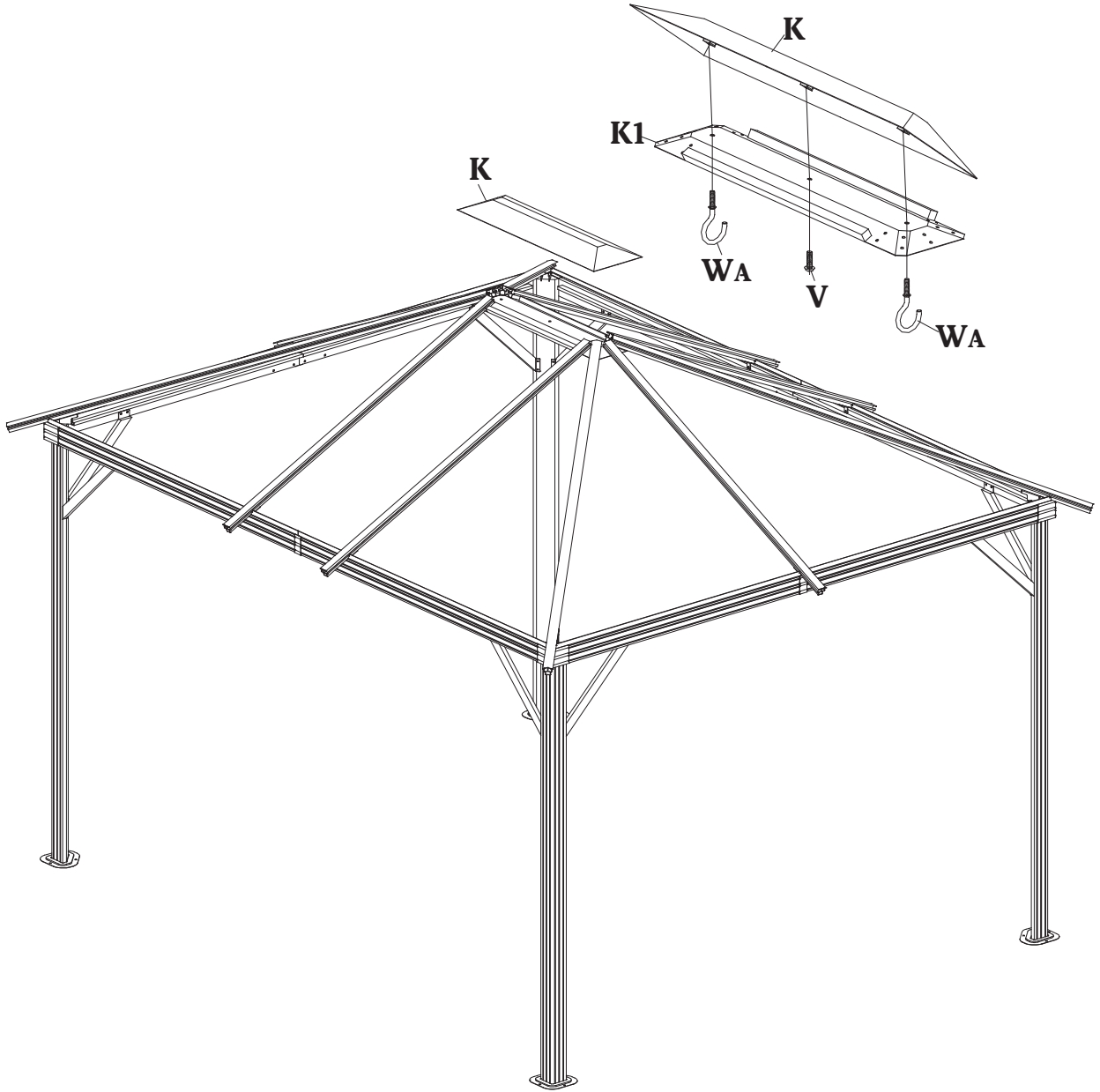
**D \*6**



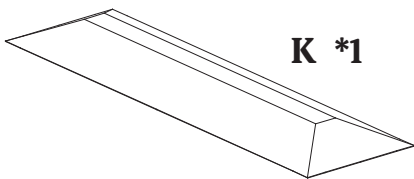
**V \*18**



# STEP-10



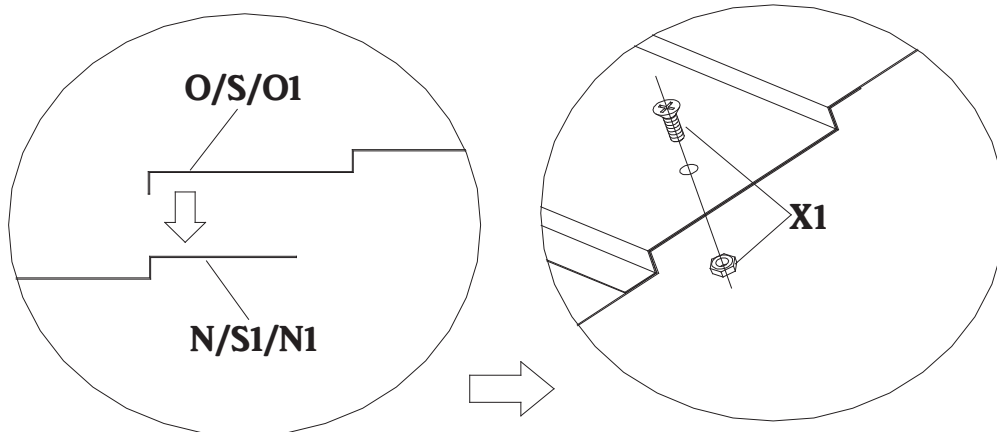
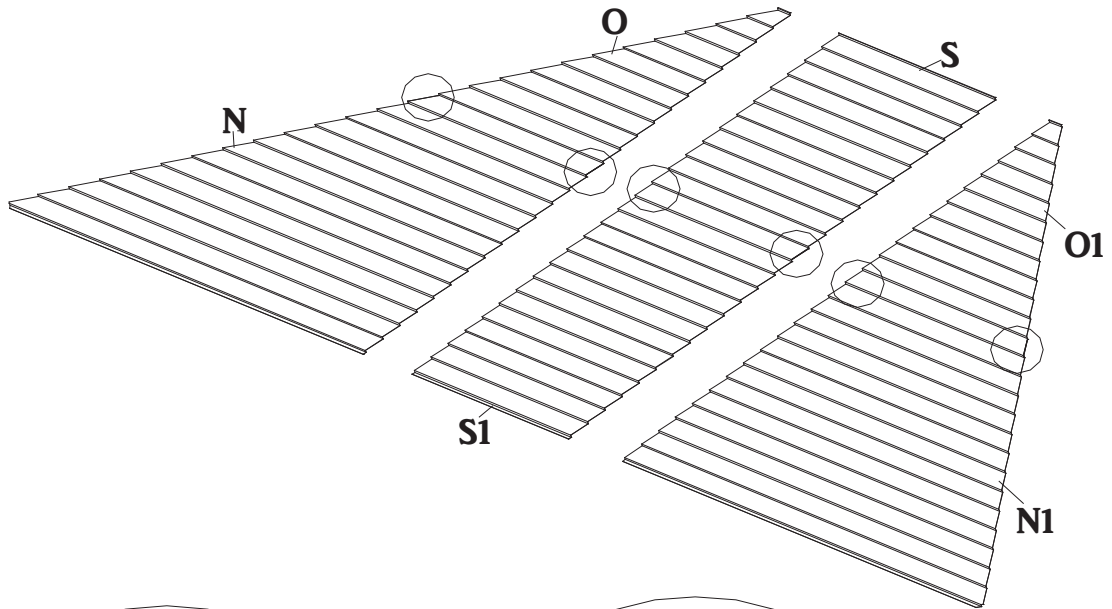
## PARTS REQUIRED FOR THIS STEP:



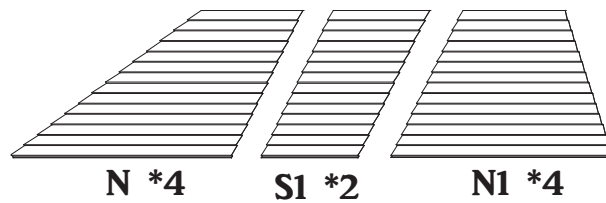
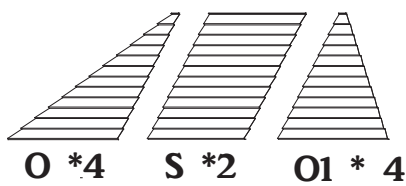
# STEP-11

## CAUTION:

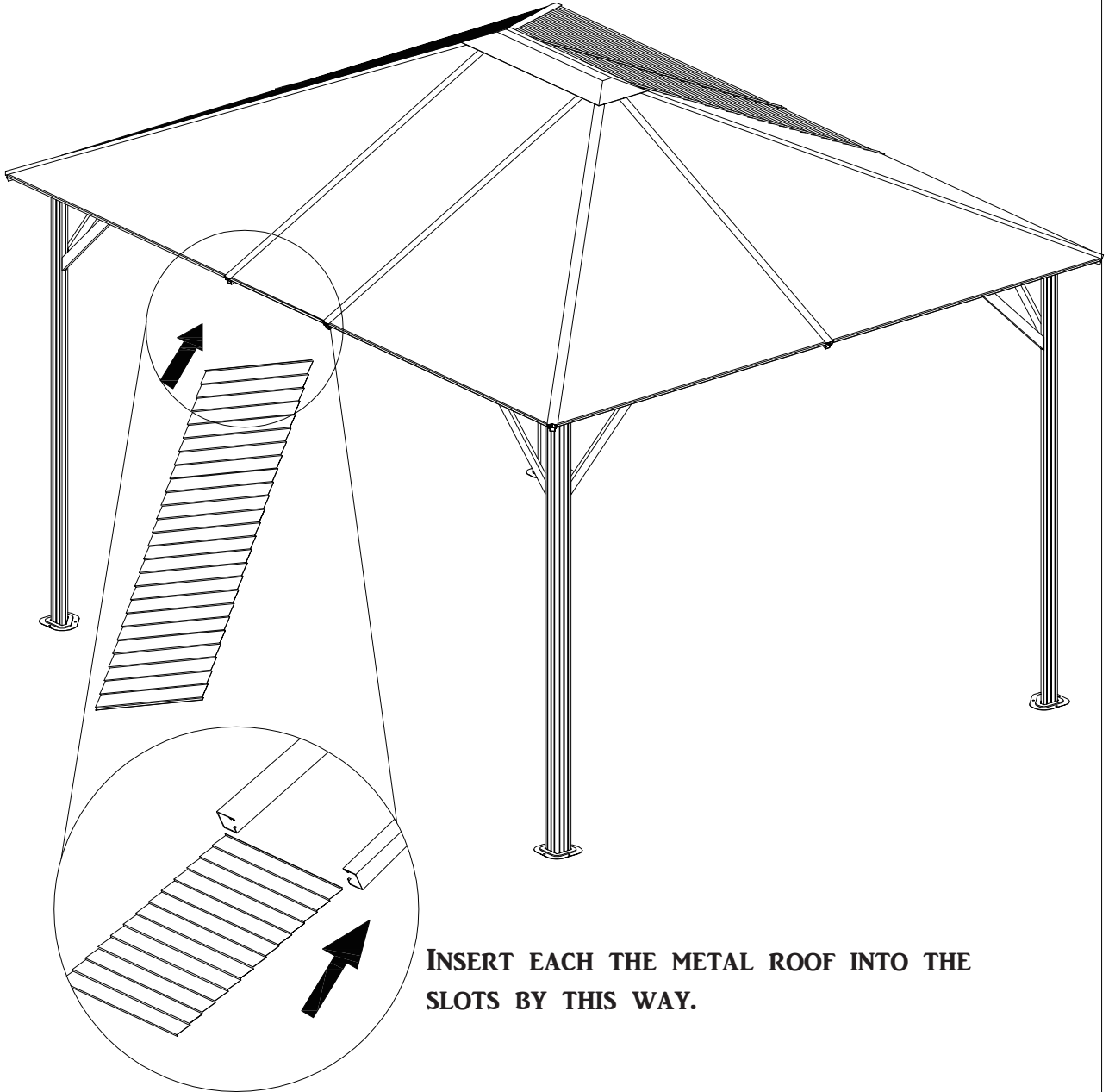
IT IS RECOMMENDED TO WEAR  
PROTECTIVE GLOVES SINCE SOME  
OF THE PARTS HAVE SHARP EDGES.



## PARTS REQUIRED FOR THIS STEP:

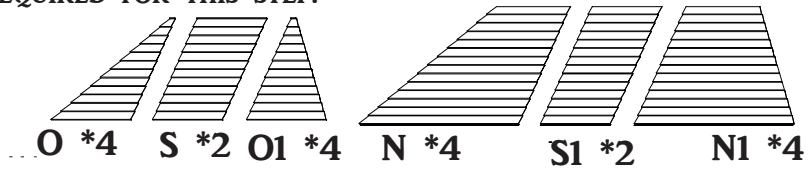


# STEP-12

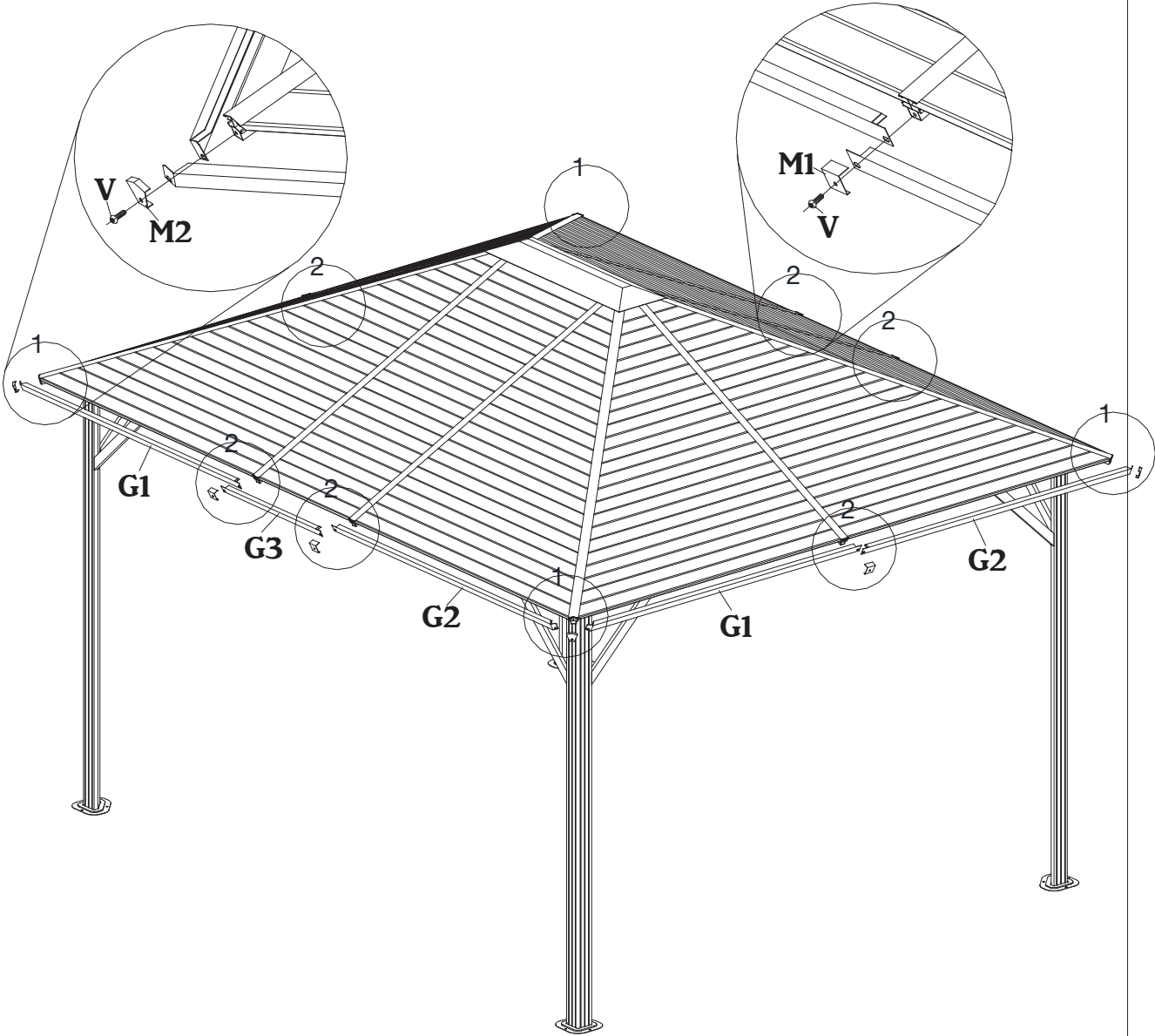


INSERT EACH THE METAL ROOF INTO THE SLOTS BY THIS WAY.

PARTS REQUIRED FOR THIS STEP:



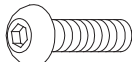


# STEP-13

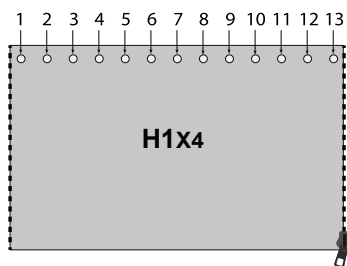
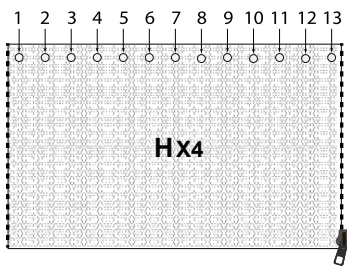
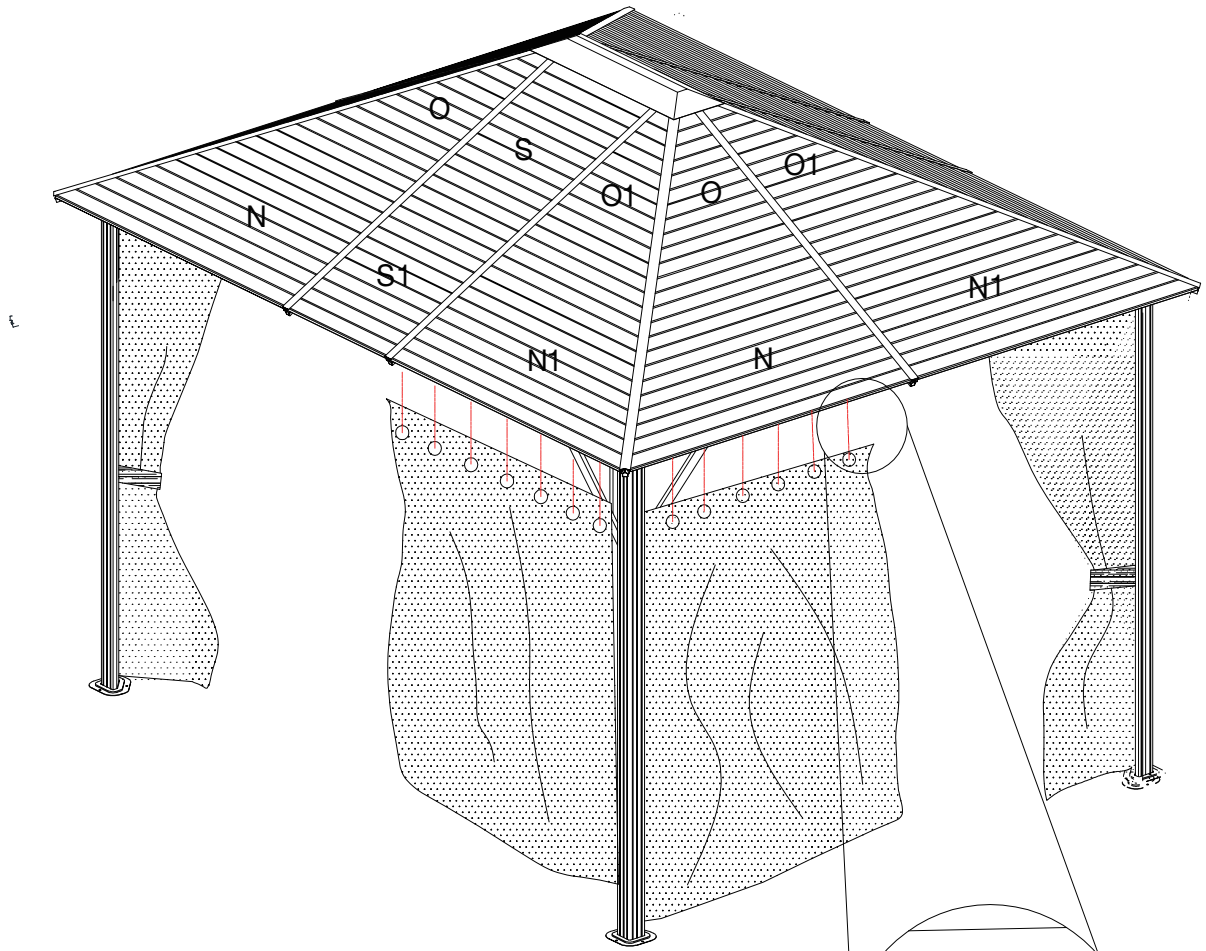


**PARTS REQUIRED FOR THIS STEP:**

-  **G1 \*4**
-  **G2 \*4**
-  **G3 \*4**

-  **M2 \*4**
-  **M1 \*6**
-  **VX \*10**

# STEP-14

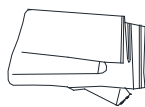


(OPTIONAL)

## PARTS REQUIRED FOR THIS STEP:



**H \*4**



(OPTIONAL)  
**H1 \*4**



Enjoy Cozy Life!

Kozyard LLC  
2825 80th ST SE, Suite 202  
Mercer Island, WA 98040  
Email: [info@kozyard.com](mailto:info@kozyard.com)  
[www.kozyard.com](http://www.kozyard.com)  
Toll-free: 866-355-0018