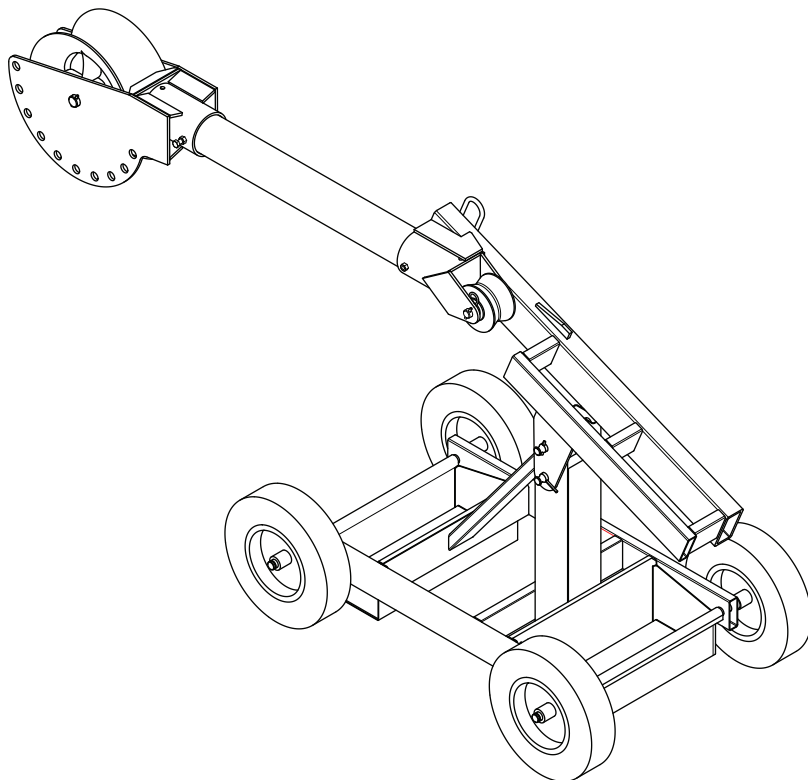


INSTRUCTION MANUAL



11147

Ultra Tugger[®] Adapter Package for use with Greenlee 640 and 6001



Read and understand all of the instructions and safety information in this manual before operating or servicing this tool.

Register this product at www.greenlee.com

Table of Contents

Description	2
Safety	2
Purpose of this Manual	2
Important Safety Information	3-4
Identification—Boom Mount Adapter.....	5
Specifications.....	5
Identification—VersiBoom™ Components.....	6
Setup	
Wheeled Carriage	7
Mounting Components.....	8-10
Typical Setups	11-12
Illustration and Parts List—	
Boom Mount Adapter.....	13
Accessories	
Nose Unit	14
Elbow Unit	15
Couplers	16
Boom Tubes.....	16
T-Stand	17
Wheeled Carriage	17

Description

The Greenlee 640 Tugger® and 6001 Super Tugger® that you already own can now attach to the same wheeled carriage that the Ultra Tugger® cable puller uses.

The Ultra Tugger® 640/6001 Adapter Package comes pre-assembled. All you need to do is add your cable puller and you'll be pulling cable faster and easier, with no more anchors to set or chains to mount.

Safety

Safety is essential in the use and maintenance of Greenlee tools and equipment. This instruction manual and any markings on the tool provide information for avoiding hazards and unsafe practices related to the use of this tool. Observe all of the safety information provided.

Purpose of this Manual

This manual is intended to familiarize all personnel with the safe operation and maintenance procedures for the following Greenlee tool:

11147 Ultra Tugger® Adapter Package

Replacement manuals are available upon request at no charge at www.greenlee.com.

All specifications are nominal and may change as design improvements occur. Greenlee Textron Inc. shall not be liable for damages resulting from misapplication or misuse of its products.

Tugger, Super Tugger and Ultra Tugger are registered trademarks and VersiBoom is a trademark of Textron Innovations Inc.

KEEP THIS MANUAL

IMPORTANT SAFETY INFORMATION



SAFETY ALERT SYMBOL

This symbol is used to call your attention to hazards or unsafe practices which could result in an injury or property damage. The signal word, defined below, indicates the severity of the hazard. The message after the signal word provides information for preventing or avoiding the hazard.

⚠️ DANGER

Immediate hazards which, if not avoided, **WILL** result in severe injury or death.

⚠️ WARNING

Hazards which, if not avoided, **COULD** result in severe injury or death.

⚠️ CAUTION

Hazards or unsafe practices which, if not avoided, **MAY** result in injury or property damage.



⚠️ WARNING

Read and understand all of the instructions and safety information in this manual and your cable puller manual, before operating or servicing this tool.

Failure to observe this warning could result in severe injury or death.

⚠️ WARNING

Rope, cable, or a connecting device can break under tension, causing the rope to whip violently.

- Do not allow any unnecessary personnel to remain in the area during the pull.
- Do not allow any personnel to stand in line with the pulling rope.

Failure to observe these warnings could result in severe injury or death.

⚠️ WARNING

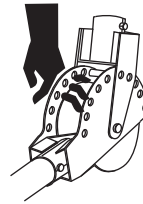


Tangle Hazard:

Do not wrap rope around hands, arms, waist or other body parts. Do not stand in spent coils or tailed rope. Hold rope so that it may be released quickly.

Failure to observe this warning could result in severe injury or death.

⚠️ WARNING



Shear Point:

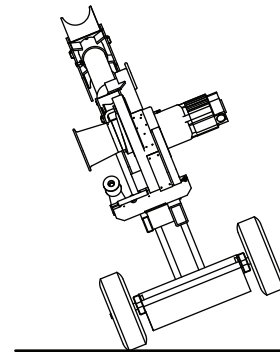
Do not put fingers through holes in elbow unit. Rotating parts could cut off fingers.

Failure to observe this warning could result in severe injury or death.

⚠️ WARNING

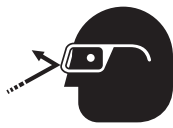
When using the wheeled carriage to transport the VersiBoom™:


- Keep personnel out of the path of transport.
- Evaluate the terrain of over which the carriage is to move. If in doubt, obtain additional help and move the carriage slowly.
- Do not transport over inclines of more than 15°.
- Do not transport the carriage with boom tubes longer than the supplied 3' and 4' tubes.




Failure to observe this warning, could result in severe injury or death.

IMPORTANT SAFETY INFORMATION

	⚠ WARNING
	<p>Flying Debris Hazard: Wear eye protection when using this tool. Failure to wear eye protection could result in severe eye injury from flying debris.</p>

	⚠ WARNING
	<p>Falling Object Hazard: Do not stand directly under a vertical pull. Cable could fall suddenly from the conduit. Failure to observe this warning could result in severe injury or death.</p>

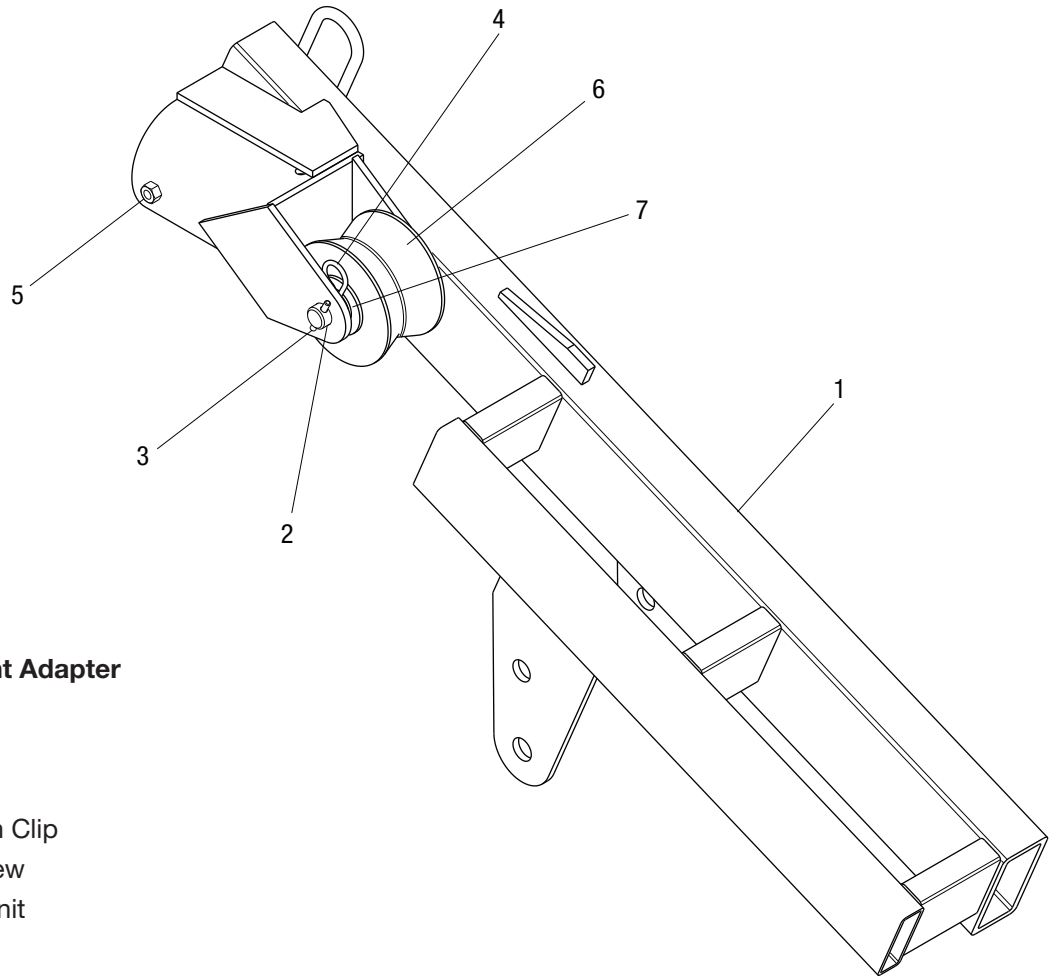
⚠ WARNING
<p>For use only with Greenlee Model 640 and 6001 cable pullers. Use with other pullers may result in insecure mounting and improper rope alignment. Failure to observe this warning could result in severe injury or death.</p>

	⚠ WARNING
	<p>Inspect and verify the maximum load-bearing capacity or maximum strength of all structural supports, pulling system components and anchoring systems before setting up the puller. Any component that cannot withstand the maximum cable-pulling forces could break and strike nearby personnel with sufficient force to cause severe injury or death.</p>

Note: Keep all decals clean and legible, and replace when necessary.

Identification – Boom Mount Adapter

50111450

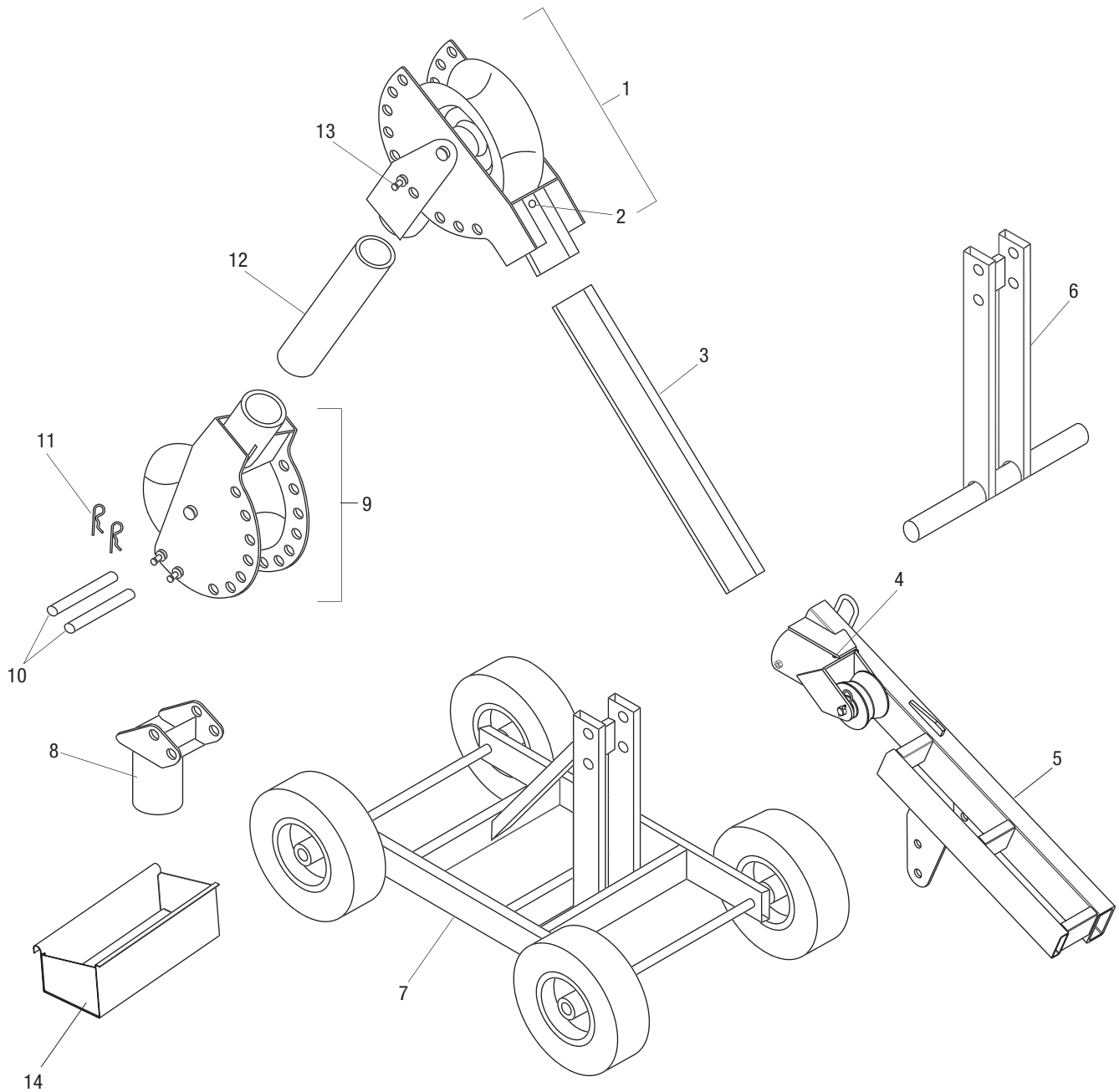


Boom Mount Adapter

- 1. Frame
- 2. Shaft
- 3. Roll Pin
- 4. Hitch Pin Clip
- 5. Hex Screw
- 6. Wheel Unit
- 7. Bushing

Specifications

Weight.....	20.4 kg (45 lb)
Length.....	94 cm (37 in)
Width	18 cm (7 in)
Height.....	30 cm (12 in)
Use with: Greenlee 640 and 6001 Cable Pullers only	
Load Rating	6500 lb

Identification—VersiBoom

VersiBoom Components

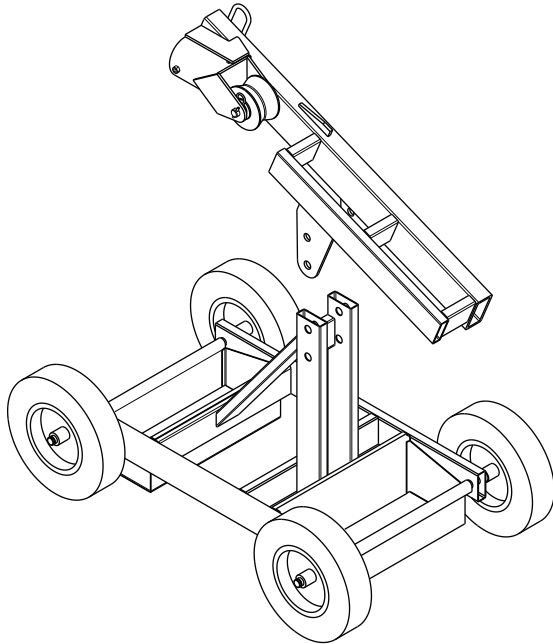
- | | |
|--------------------------|-----------------------------|
| 1. Elbow Unit (optional) | 8. Slip-in Coupler |
| 2. Sight Hole | 9. Nose Unit |
| 3. 4' Boom Tube | 10. Mounting Pins |
| 4. Sight Hole | 11. Hitch Pin Clips |
| 5. Boom Mount Adapter | 12. 3' Boom Tube (optional) |
| 6. T-Stand (optional) | 13. Long Pin |
| 7. Wheeled Carriage | 14. Tray |

Setup

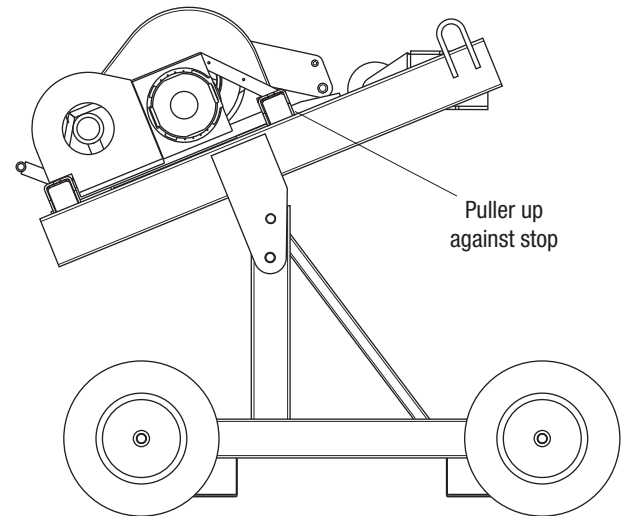
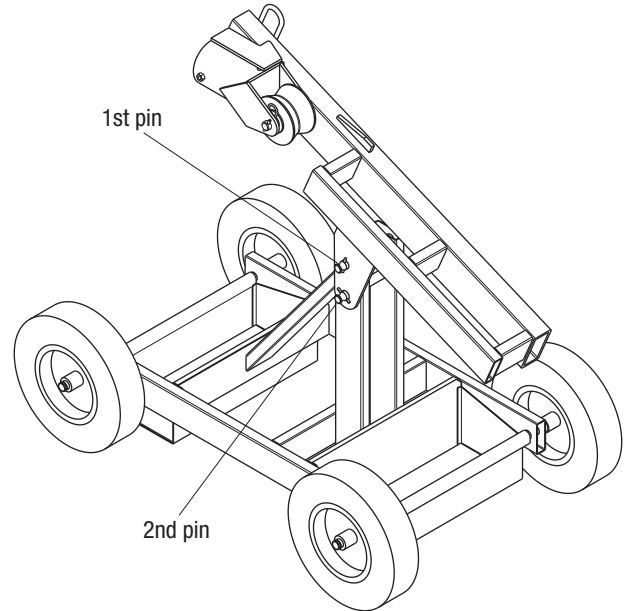
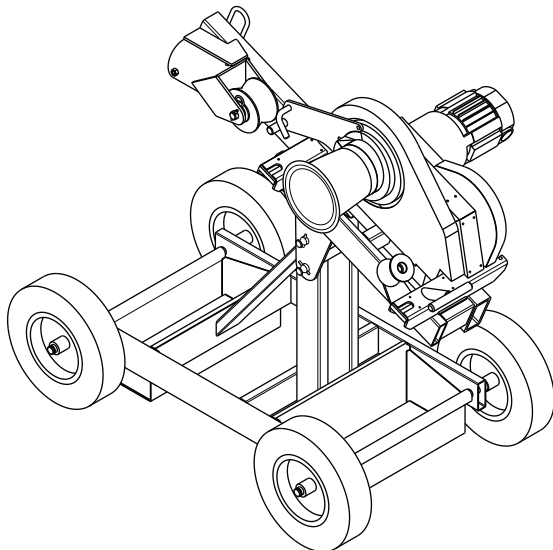
Wheeled Carriage

Requires: Adequate clearance.
See "Typical Setups."

1. Mount the boom mount to the wheeled carriage. Align the boom mount holes with the top holes in the wheeled carriage, as illustrated. Install a pin through the top hole in the boom mount and wheeled carriage. Secure the pin with a hitch pin clip. Place a second pin in the lower hole.



2. Set puller on boom mount frame so that the puller mounting feet sit inside the frame opening, between the two side rails. Slide the puller up against the stop and chain it down securely.



⚠ WARNING

For use only with Greenlee Model 640 and 6001 cable pullers.

Use with other pullers may result in insecure mounting and improper rope alignment.

Failure to observe this warning could result in severe injury or death.

Setup (cont'd)

Mounting Components

Boom with Nose Unit

⚠ WARNING

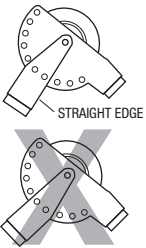
- Use only straight 3" diameter rigid steel conduit or Schedule 40 steel pipe for the boom tubes.
- Do not use boom tubes longer than 3 meters (10'). Longer booms may bend or break.

Failure to observe this warning could result in severe injury or death.

⚠ WARNING

Set up the elbow unit as shown. Improper setup will cause the elbow unit to collapse.

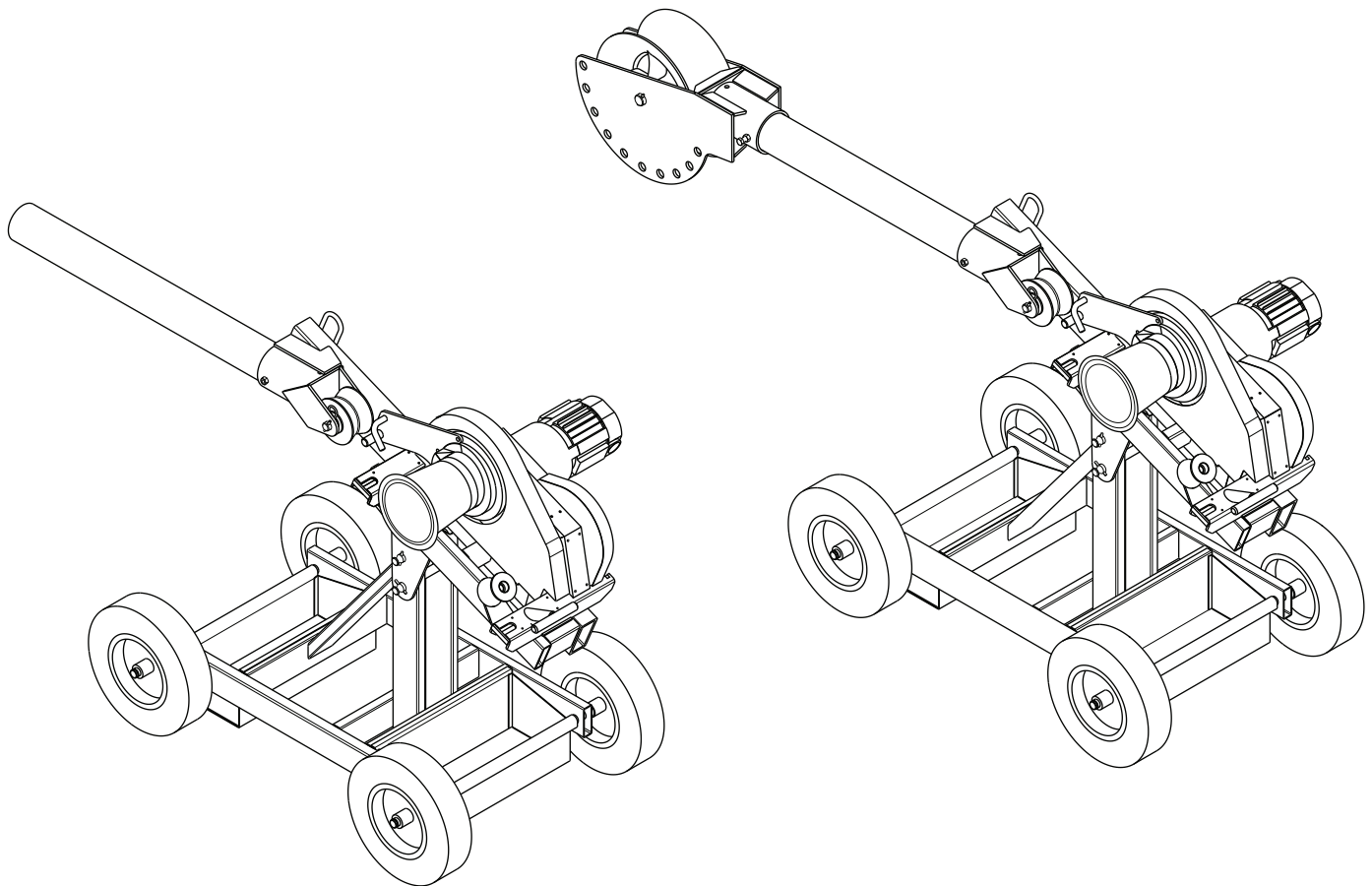
Failure to observe this warning could result in severe injury or death.



Use these boom tubes only:

- boom tubes supplied with the VersiBoom
- 3" rigid steel conduit (3 meters or 10 feet maximum)
- 3" schedule 40 pipe (3 meters or 10 feet maximum)

1. Slide the boom tube into the boom mount until the tube bottoms out. Sight the tube through the sight hole to be sure the tube is fully inserted. Tighten the set screw.
2. Slide the nose unit onto the tube until the tube bottoms out. Sight the tube through the sight hole to be sure the tube is fully inserted. Tighten the set screw.



Setup (cont'd)

Mounting Components (cont'd)

Booms with Elbow Unit and Nose Unit

⚠ WARNING

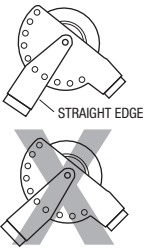
- Use only straight 3" diameter rigid steel conduit or Schedule 40 steel pipe for the boom tubes.
- Do not use boom tubes longer than 3 meters (10'). Longer booms may bend or break.

Failure to observe this warning could result in severe injury or death.

⚠ WARNING

Set up the elbow unit as shown. Improper setup will cause the elbow unit to collapse.

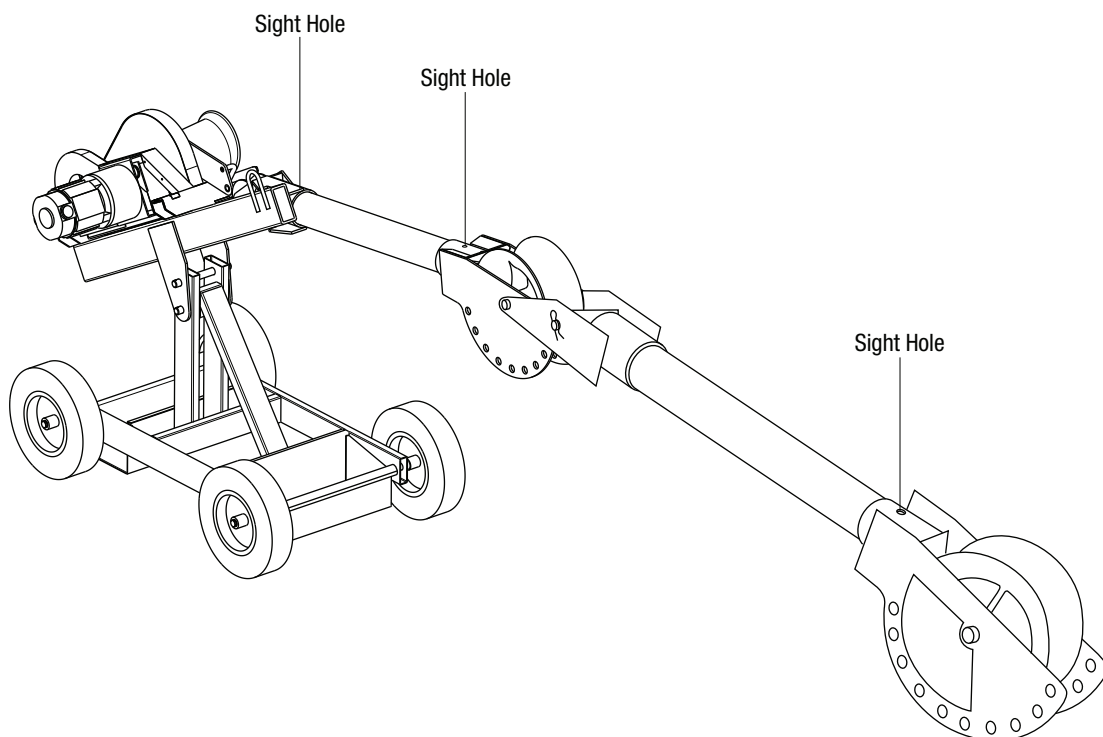
Failure to observe this warning could result in severe injury or death.



Use these boom tubes only:

- boom tubes supplied with the VersiBoom
- 3" rigid steel conduit (3 meters or 10 feet maximum)
- 3" schedule 40 pipe (3 meters or 10 feet maximum)

1. Slide the boom tube into the boom mount until the tube bottoms out. Sight the tube through the sight hole to be sure the tube is fully inserted. Tighten the set screw.
2. Slide the elbow unit onto the tube until the tube bottoms out. Sight the tube through the sight hole to be sure the tube is fully inserted. Tighten the set screw.
3. Adjust the elbow to an appropriate angle and lock it in place with a pin. Secure the pin with a hitch pin clip.
4. Slide the boom tube into the elbow unit until the tube bottoms out. Sight the tube through the sight hole to be sure the tube is fully inserted. Tighten the set screw.
5. Slide the nose unit onto the tube until the tube bottoms out. Sight the tube through the sight hole to be sure the tube is fully inserted. Tighten the set screw.



Setup (cont'd)

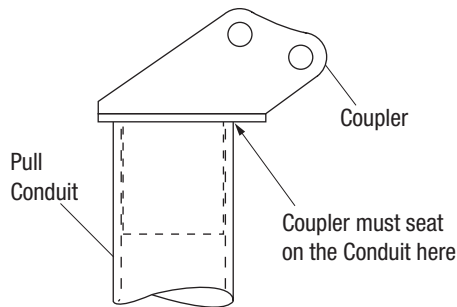
Mounting Components (cont'd)

Slip-in Coupler

Requires: One pin to connect to Nose Unit

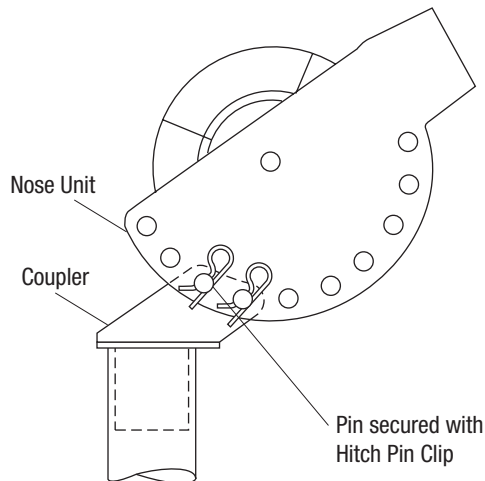
1. Select the coupler that best fits the conduit.
2. Slide the coupler into the conduit until the coupler seats on the end of the conduit.

Note: If the coupler does not seat on the conduit, see "Straddling the Conduit with a Slip-In Coupler."



3. Slide the nose unit over the coupler. Align any set of holes and insert one pin. Secure the pin with a hitch pin clip.

Note: If possible, add a second pin and hitch pin clip.

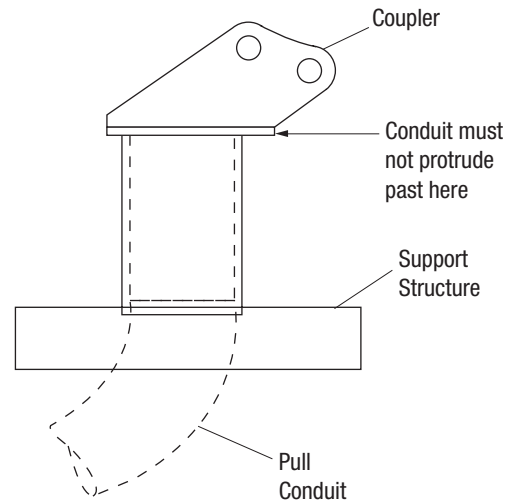


Straddling the Conduit with Slip-in Coupler

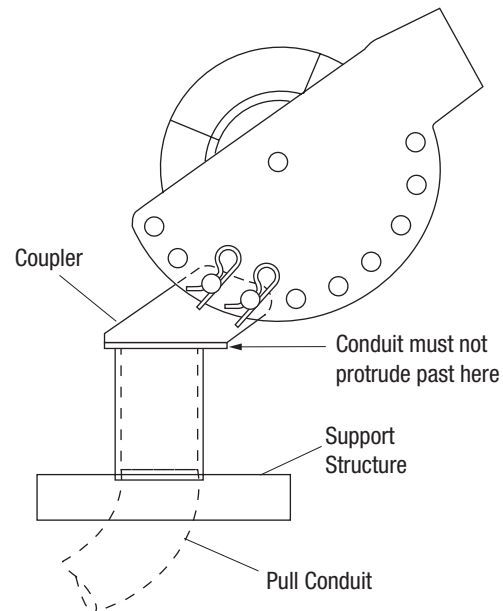
Requires: Two pins to connect to Nose Unit

1. Select a coupler at least 25 mm (1") larger than the conduit.
2. Place the coupler over the conduit.

Note: Do not use this method if the coupler does not seat on a support structure that can support 35.6 kN (8000 lb) of force.



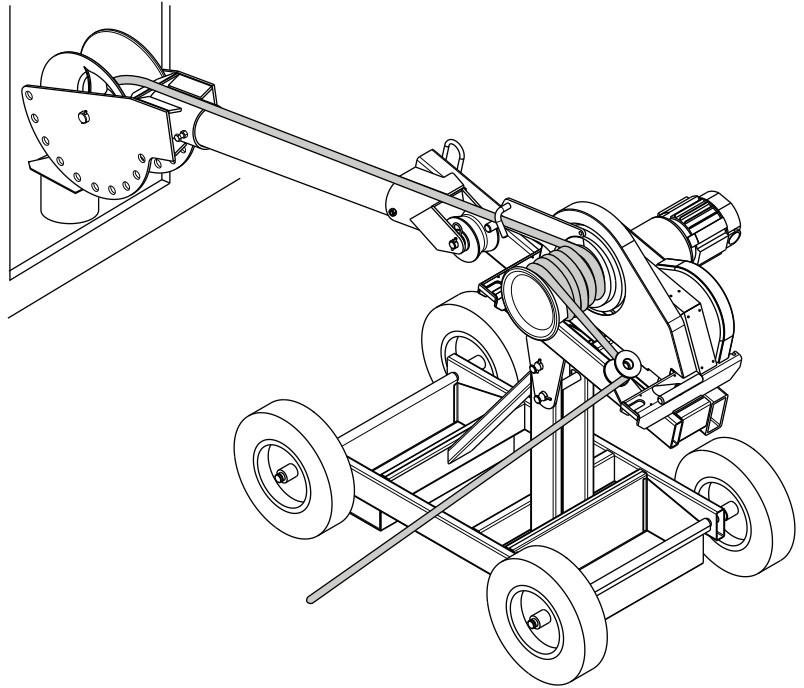
3. Slide the nose unit over the coupler. Align any two sets of holes and insert two pins. Secure the pins with hitch pin clips.



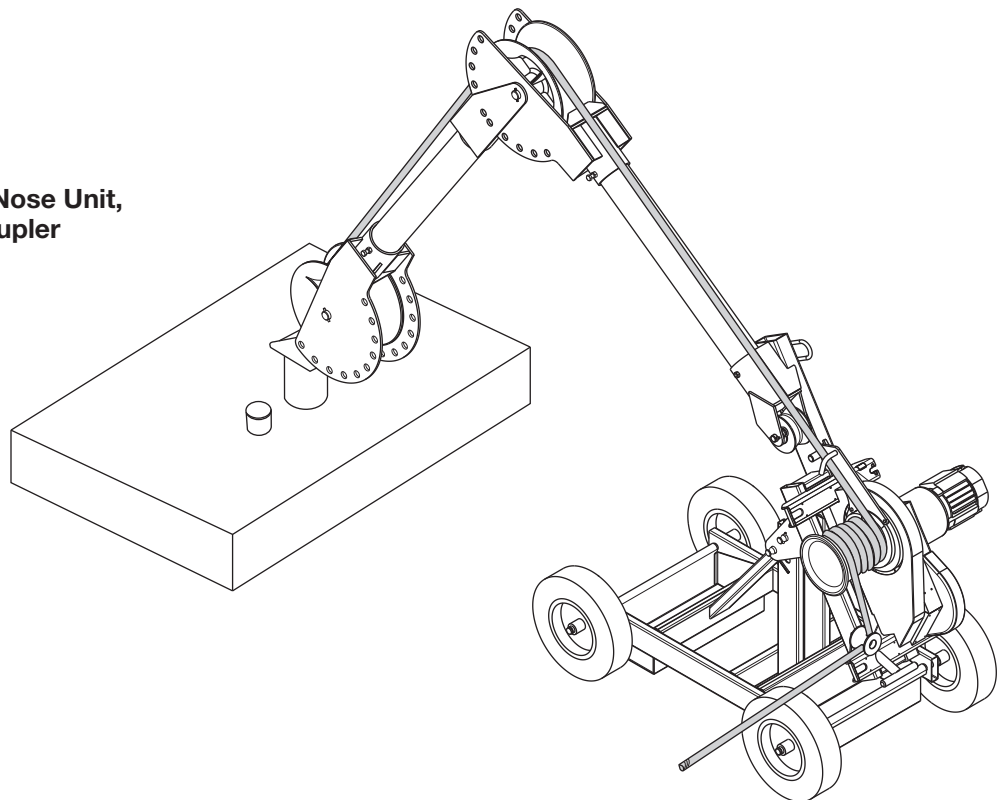
Typical Setups

Setups are shown without force gauge. Place the force gauge so the operator has an unobstructed view of the meter and quick access to its ON/OFF switch.

**Pulling Up Using One Boom,
Nose Unit and Slip-in Coupler**



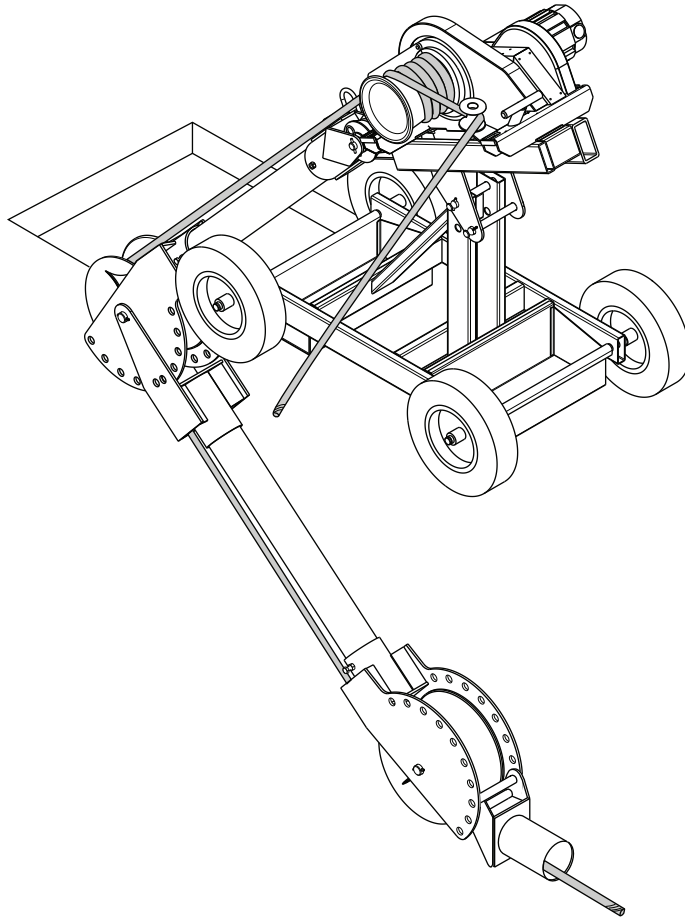
**Pulling Up Using Two Booms, Nose Unit,
Elbow Unit and Slip-in Coupler**



Typical Setups (cont'd)

Setups are shown without force gauge. Place the force gauge so the operator has an unobstructed view of the meter and quick access to its ON/OFF switch.

**Pulling Horizontally in Manhole
Using Two Booms, Nose Unit,
Elbow Unit and Slip-in Coupler**



**Pulling Horizontally in Manhole
Using Two Booms, Nose Unit,
Elbow Unit and Slip-in Coupler**

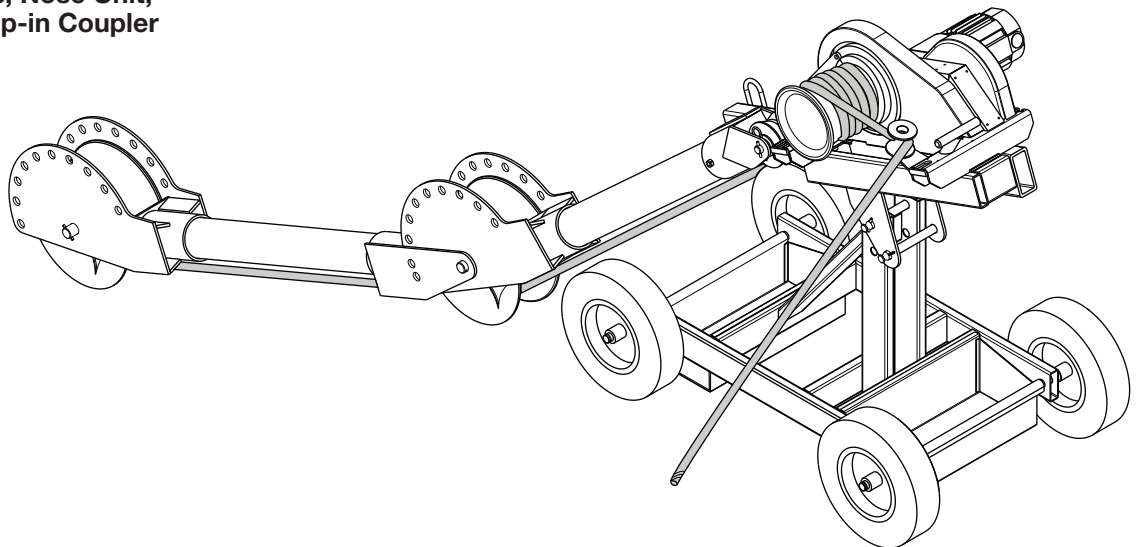
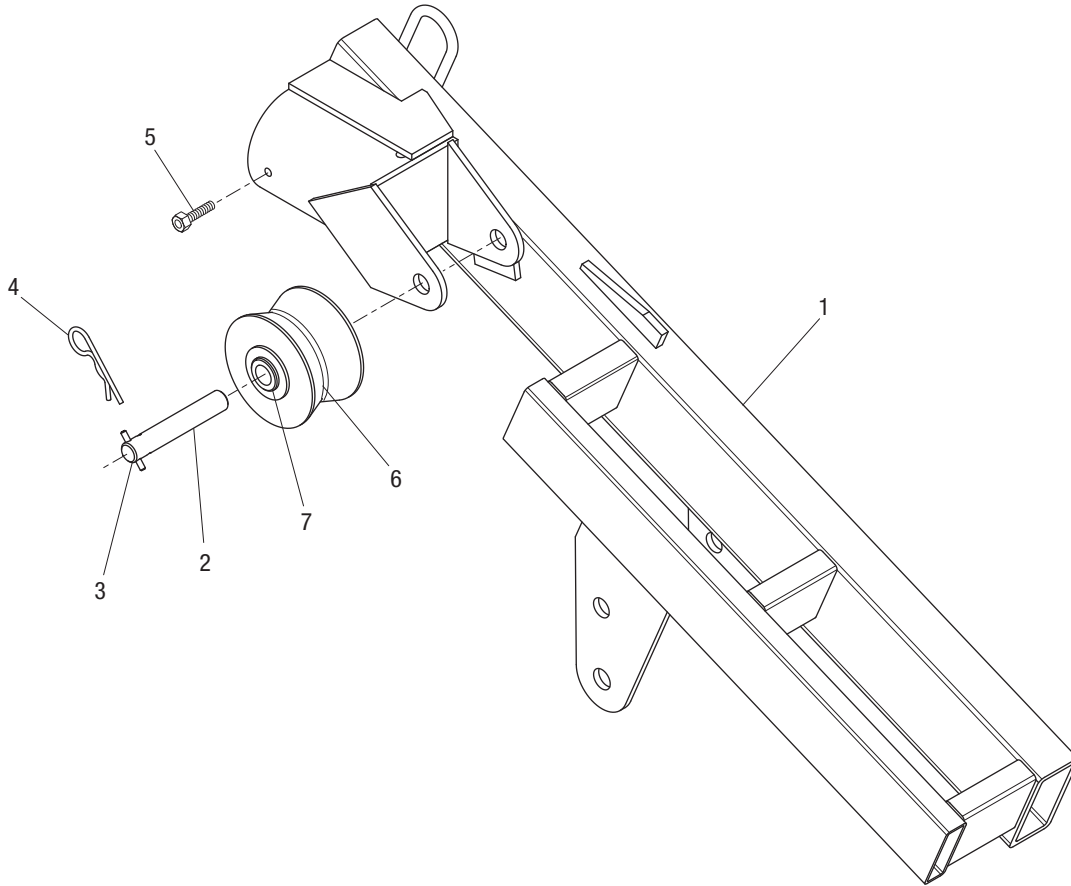


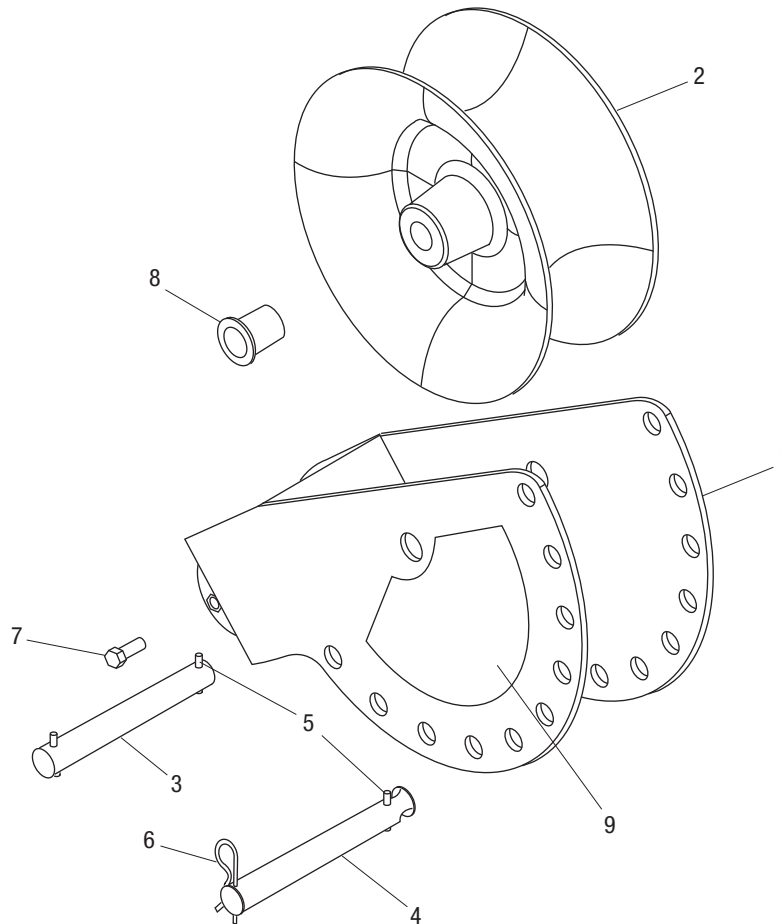
Illustration and Parts List—Boom Mount Adapter



Key	Part No.	Description	Qty
1	50028391	Frame	1
2	50007556	Shaft.....	1
3	90507002	Pin, roll, .187 x 1.5"	1
4	90503023	Clip, hitch pin #8	1
5		Screw, 3/8-16 x 1" hex head.....	1
6	50009206	Wheel unit	1
7	50167987	Bushing.....	2

Accessories

Nose Unit (50008641)



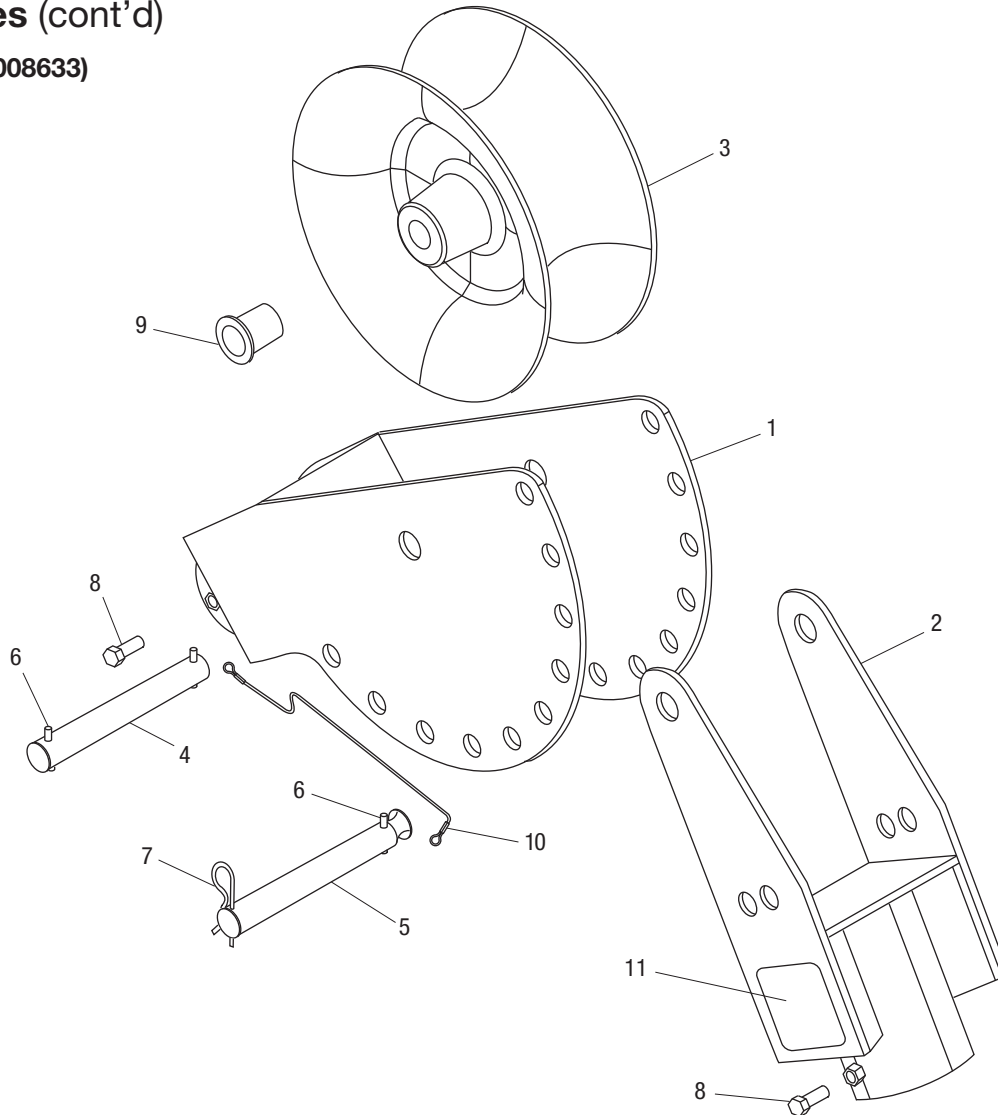
Key	Part No.	Description	Qty
1	50008323	Elbow, adjustable.....	1
2	50008439	Sheave unit, 12".....	1
3	50007904	Shaft, elbow.....	1
4	50007432	Puller pin.....	1
5*	90507002	Pin, roll, .187 x 1.50".....	3
6*	90503023	Clip, hitch pin #8.....	1
7		Screw, 3/8-16 x 1" hex head.....	1
8	90548388	Bushing.....	2
9	50010425	Decal, Warning.....	1

Repair Kits

*	50061887	Puller pin kit (includes one each of the items marked with an asterisk).....	2
	50061925	Elbow shaft kit (includes one of item 3 and two of item 5).....	2

Accessories (cont'd)

Elbow Unit (50008633)



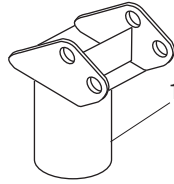
Key	Part No.	Description	Qty
1	50008323	Elbow, adjustable.....	1
2	50008285	Elbow, pivot.....	1
3	50008439	Sheave unit, 12".....	1
4	50008366	Shaft, pivot.....	1
5*	50008374	Pin, elbow.....	1
6*	90507002	Pin, roll, .187 x 1.50".....	3
7*	90503023	Clip, hitch pin #8.....	1
8		Screw, 3/8-16 x 1" hex head.....	2
9	90548388	Bushing.....	2
10	50013971	Lanyard.....	1
11	50010328	Decal, warning.....	1

Repair Kits

*	50061941	Elbow pins kit (includes one each of the items marked with an asterisk).....	1
	50061950	Pivot pins kit (includes one of item 4 and two of item 6).....	1

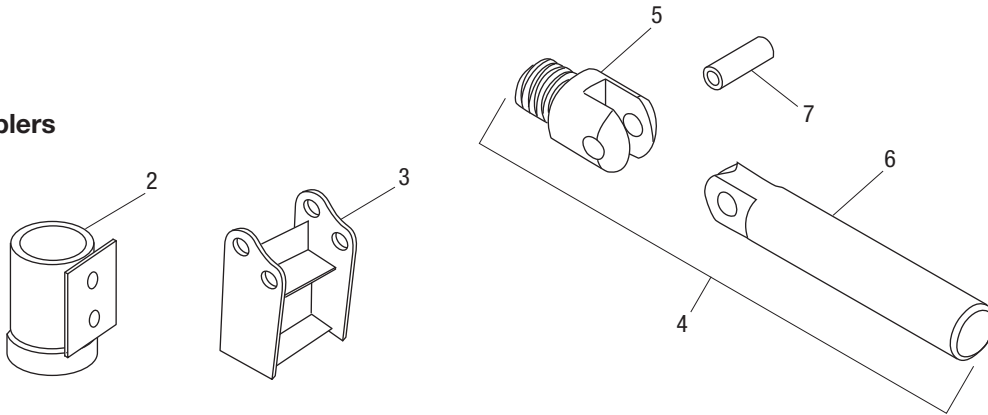
Accessories (cont'd)

Slip-in Couplers



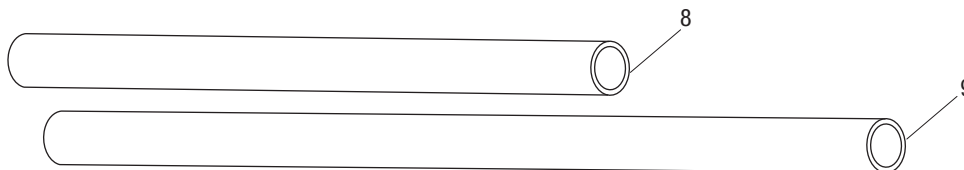
Key	Part No.	Description	Qty
1	50008048	Slip-in coupler for 2-1/2" conduit (EMT, IMC or Rigid)	1
1	50008110	Slip-in coupler for 3" conduit (EMT, IMC or Rigid).....	1
1	50008153	Slip-in coupler for 3-1/2" conduit (EMT, IMC or Rigid)	1
1	50008200	Slip-in coupler for 4" conduit (EMT, IMC or Rigid).....	1
1	50008277	Slip-in coupler for 5" conduit (EMT, IMC or Rigid).....	1

Screw-on Couplers

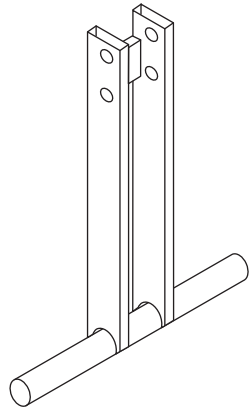
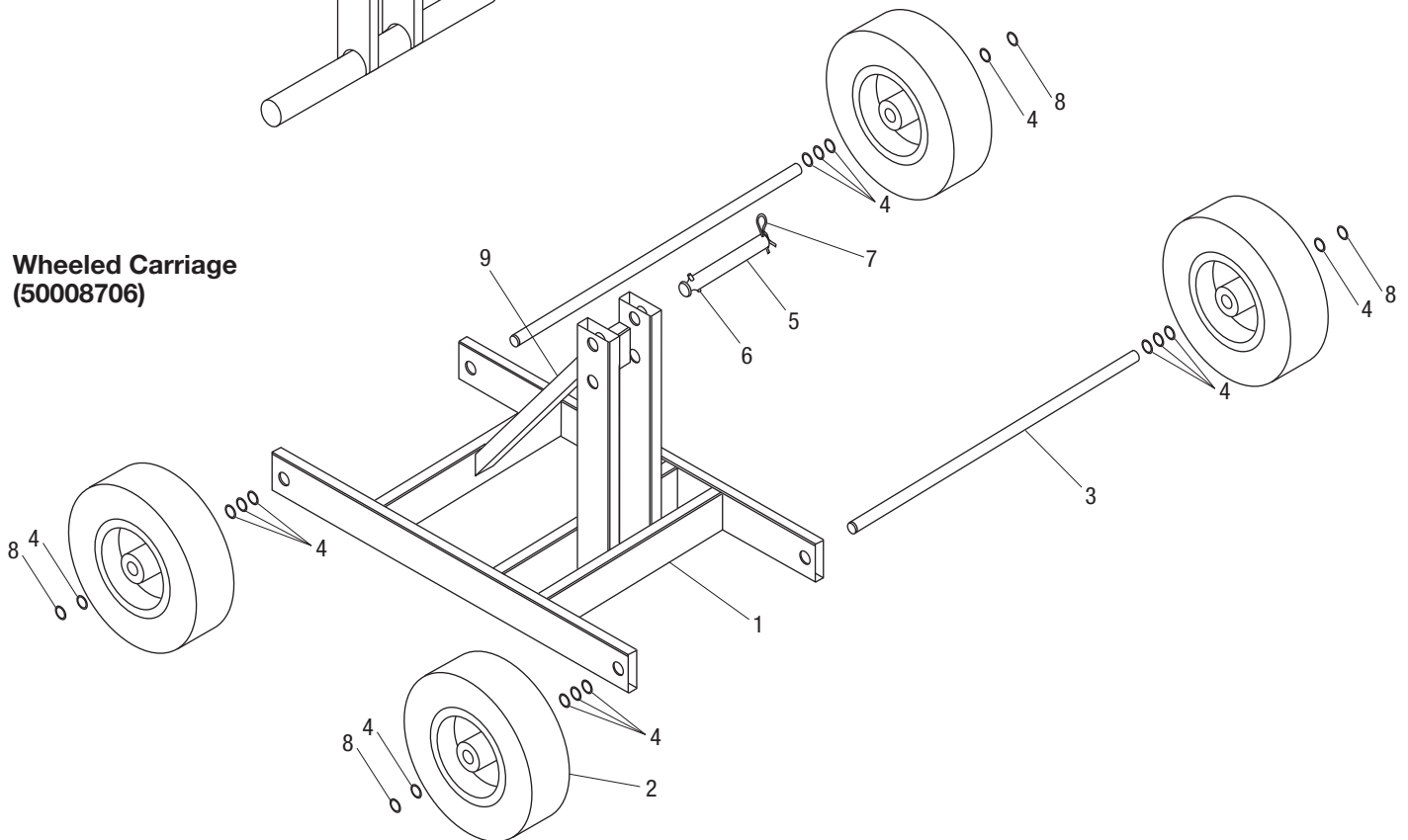


Key	Part No.	Description	Qty
—	50008684	Screw-on coupler set for 2-1/2", 3", 3-1/2" & 4" conduit (includes items 2–4)	
2	50036610	Screw-on coupler for 2" IMC or Rigid only	1
2	50007815	Screw-on coupler for 2-1/2" IMC or Rigid only	1
2	50007823	Screw-on coupler for 3" IMC or Rigid only	1
2	50007831	Screw-on coupler for 3-1/2" IMC or Rigid only	1
2	50007840	Screw-on coupler for 4" IMC or Rigid only.....	1
3	50007998	Adapter for screw-on IMC or Rigid only	1
4	50008773	Screw assembly (includes items 5–7)	2
5	50007955	Screw	1
6	50007963	Handle.....	1
7	90527178	Roll pin	1

Boom Tubes



Key	Part No.	Description	Qty
8	50008358	3' Boom tube	1
9	50007912	4' Boom tube	1

Accessories (cont'd)
T-Stand (50008676)

Wheeled Carriage (50008706)


Key	Part No.	Description	Qty
1	50007700	Frame	1
2	90533909	Wheel, rubber, 12 x 3	4
3	50007688	Axle	2
4	90517407	Washer, flat, .812 x 1.50 x .140	16
5*	50007432	Puller pin	2
6*	90507002	Pin, roll, .187 x 1.50"	2
7*	90503023	Clip, hitch pin #8	2
8	90515285	Retaining ring, .750", Truarc #5160-75-S-PP	4
9	50010638	Decal, warning	1

Repair Kits

*	50061887	Puller pin kit (includes one each of the items marked with an asterisk)	2
	52066231	Wheel service kit (set of 4)	1
	52066332	Wheel service kit (single wheel)	1



4455 Boeing Drive • Rockford, IL 61109-2988 • USA • 815-397-7070
An ISO 9001 Company • Greenlee Textron Inc. is a subsidiary of Textron Inc.
www.greenlee.com

USA Tel: 800-435-0786
Fax: 800-451-2632

Canada Tel: 800-435-0786
Fax: 800-524-2853

International Tel: +1-815-397-7070
Fax: +1-815-397-9247