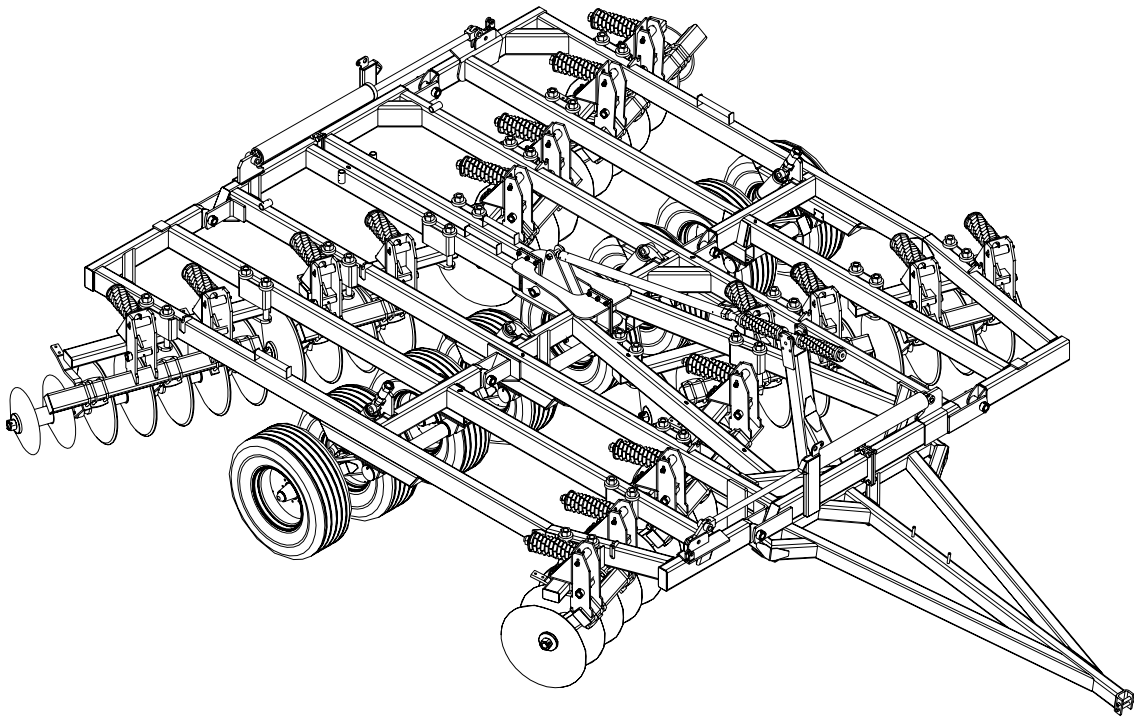




P  
A  
R  
T  
S  
  
M  
A  
N  
U  
A  
L



112 South 2nd Street  
Wishek, ND 58495  
701-452-2449  
[www.wishekmfg.com](http://www.wishekmfg.com)

## Orientation

Any reference to left (L) or right (R) sides or components is to be understood as being viewed from behind the implement and looking forward.

## Serial Number Break

Every implement has a serial number located on the frame. These serial numbers are consecutively assigned to the implements as they are manufactured. To aid in part ordering, we reference to the serial number at the point the change occurred to provide an accurate means of determining the proper parts.

## Abbreviations

ASSY	Assembly
BLD	Blade
BRKT	Bracket
CTR	Center
CP	Cup Point
(FF)	Female Female
GR	Grade of Bolt
HD	Heavy Duty
HDWE	Hardware
LH	Left Hand
(MF)	Male Female
MF	Main Frame
MTG	Mounting
NC	National Course Thread
NF	National Fine Thread
NPT	National Pipe Thread
RH	Right Hand
SS	Screw Stop
SST	Stainless Steel
TA	Tandem
TBP	Top Bypass
W/	With
W/O	Without
BLT	Bolt
2POSLK	2 Position lock
HLK	Hex lock
WSHR	Washer
ADP	Adapter
ELB	Elbow
HSE	Hose
WHL	Wheel
BRG	Bearing
BLK	Black
SPNDL	Spindle
SLTD	slotted
FTG	Fitting
GRS	Grease
HYD	Hydraulic
SEQ	Sequence
QTY	Quantity
SEC	Section
FT	Foot
CRG	Carriage
FB	Flat Bar
DIA	Diameter
HR	Hour

# **CONTENTS**

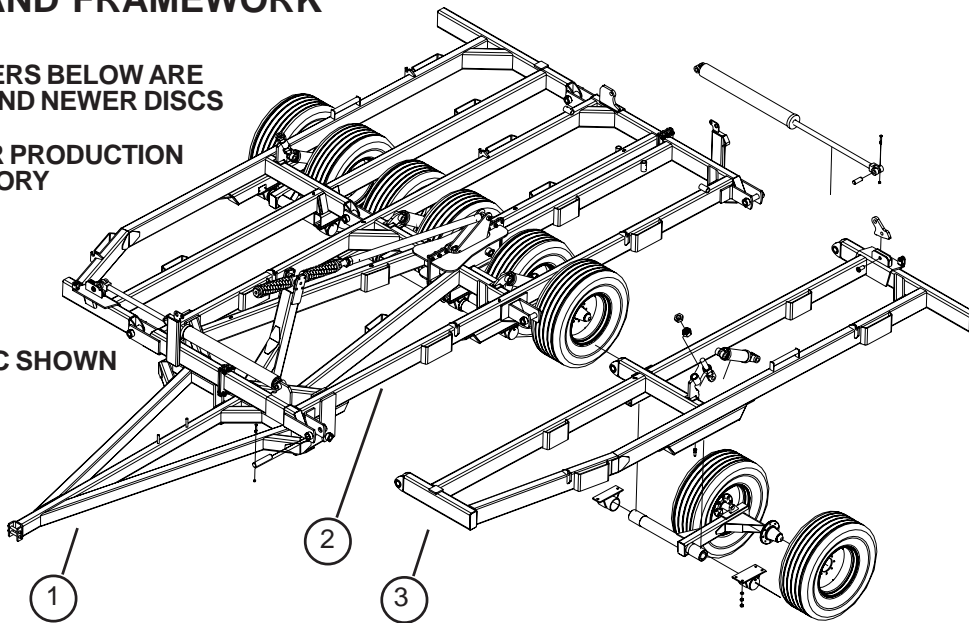
BLADES .....	18-19
BEARINGS .....	18-19
BEARING STANDARD SCRAPER .....	37
CUSHION GANG PARTS .....	20
CYLINDERS, FOLD.....	50-52
CYLINDER, FOLD OVER CENTER LOCK .....	60
CYLINDER, LIFT .....	45-46
DECALS .....	65
DEPTH CONTROL .....	42-44
FRAMES .....	4
GANG, CUSHION.....	21
GANG, RIGID/ROCK FLEX.....	18-20
GANG ATTACHING PARTS .....	20
GANGSHAFTS .....	18-19, 22-34
HITCHES .....	4
HITCH ITEMS .....	12
HUBS AND SPINDLES .....	13-16
HYD. HOSES .....	41-56, 60-62
JACKS .....	12
LEVELING COMPONENTS .....	9-11
LEVELING SCREW.....	9-11
LIGHT KIT .....	63
MISCELLANEOUS .....	66
MUD SCRAPER .....	40
OVER CENTER LOCK MECHANISM .....	57-59
RIMS .....	17
REAR HITCH .....	64
ROTARY SCRAPER .....	37-39
RUNNING GEARS.....	5-8
SCRAPER BAR BRACKET .....	35
SCRAPERS .....	35-10
SINGLE POINT DEPTH CNTRL .....	42-43
SPOOL SCRAPER .....	36
STANDARD SCRAPER .....	36
TIRES .....	17
TRANSPORT LOCKS .....	44
UTILITY POLE .....	9
WING AXLE ADJUST .....	8
WRENCHS .....	12

# HITCH AND FRAMEWORK

ALL NUMBERS BELOW ARE FOR 2014 AND NEWER DISCS

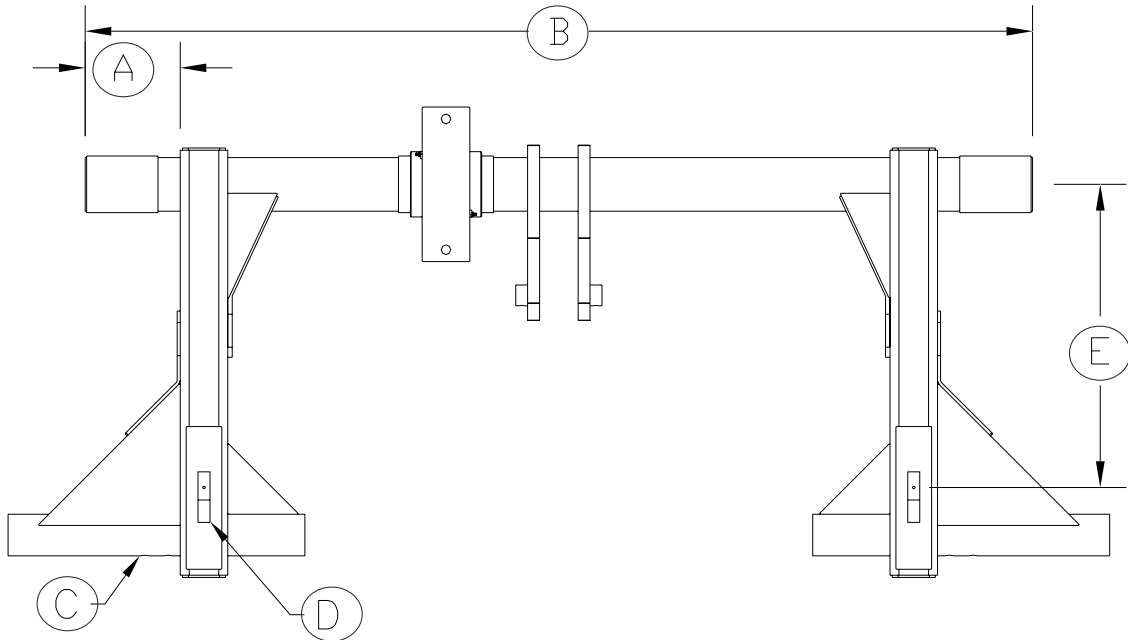
FOR OLDER PRODUCTION CALL FACTORY

22FT DISC SHOWN



ITEM	PART NO.	DESCRIPTION	MODEL		
1	109525	26' TO 38' TANDEM HITCH	714/742/814/842/816/862 - NT/LNT - 26'-38'		
	109526	22' TO 24' TANDEM HITCH	714/742/8814/842/816/862 - NT - 22'-24'		
	350069	12' TO 18' TANDEM HITCH	714/742/8814/842/816/862 - NT - 12'-18'		
	350070	12' TO 18' OFFSET HITCH	612/812/842/816/862 - N - 12'-18'		
	106783	10' OFFSET HITCH	612/642/812/842 - N - 10'		
	352921	22' TO 26' OFFSET HITCH	812/842 - N - 22'-26'		
	2	106420	OFFSET - NON FOLD 4"X6"	612 - N - 12'-18'	
		108115	TANDEM - NON FOLD	714 - NT/NTC - 12'-18'	
		105851	OFFSET - NON FOLD	812/842/816/862 - N - 12'-18'	
		106487-05	TANDEM - NON FOLD	742/842/862 - NT - 12'-18'	
		108131	TANDEM - NON FOLD	814/816 - NT - 14'-18'	
		354884	TANDEM - FOLD	714/742 - NT - 24'-26'	
		242800	TANDEM - FOLD	714/742/814/816/842/862 - NT - 30'	
		350811	TANDEM - FOLD	714/814/842/816/862 - LNT - 34'-38'	
		354883	TANDEM - FOLD	742/842/862 - LNT - 34'-38'	
		352700	OFFSET - FOLD	812 - NOCL - 22'-26'	
243231		TANDEM - FOLD	814/816 - NT - 22'		
243790		TANDEM - FOLD	842/862 - NT - 22'-24'		
243791		TANDEM - FOLD	814/842/862 - NT - 24'-26'		
3		LEFT WING	RIGHT WING	DESCRIPTION	MODEL
3		355578	355579	TANDEM	714/742 - NT - 24'
	108880	W108881	TANDEM	714/742/814/816 NT - 30'	
	109944	W109945	TANDEM	714/814/816 - LNT - 34'	
	352900	352901	TANDEM	714/814/816 - LNT - 38'	
	355690	355691	TANDEM	742 - LNT - 34'	
	355834	355835	TANDEM	742 - LNT - 38'	
	355539	355540	TANDEM	714/742 - NT - 26'	
	352701	352702	OFFSET	812 - NOCL - 24'-26'	
	352703	352704	OFFSET	812 - NOCL - 22'	
	354909	354910	TANDEM	814 - NT - 22'-24'	
	352990	352991	TANDEM	814 - NT - 26'	
	108761	W108762	TANDEM	842/862 - NT - 22'-24'	
	108763	W108764	TANDEM	842/862 - NT - 24'-26'	
	108773	W108774	TANDEM	842/862 - NT - 30'	
	109705	W109706	TANDEM	842/862 - LNT - 34'	
	352898	352899	TANDEM	842/862 - LNT - 38'	
	108920	W108921	TANDEM	816 - NT - 22'	

# NON-FOLDING RUNNING GEARS



A - INCHES

B - INCHES

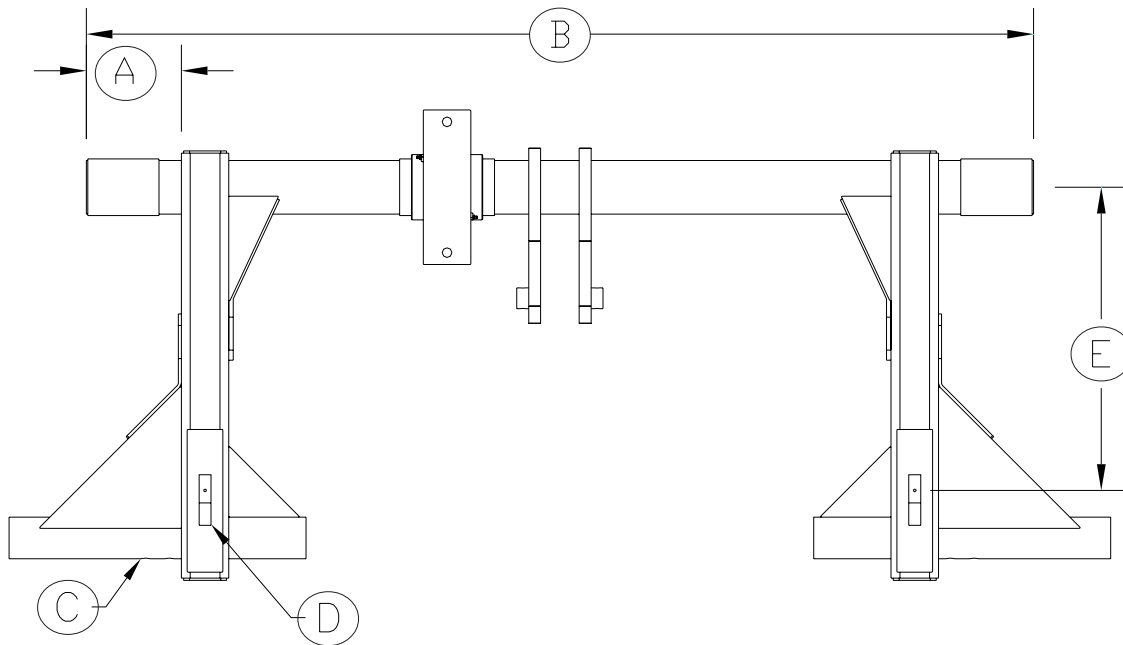
C - NUMBER OF SPINDLE BOLT HOLES

D - NUMBER OF CYLINDER LUGS

E - INCHES

PART NO.	A	B	C	D	E	HUB	MODEL
105875-02	8	89.75	1 HOLE	1 LUG	24.36	8 BOLT	842/862NT 12-18'
106007	8	86.75	1 HOLE	1 LUG	25.5	8 BOLT	
106051	7.5	56.25	1 HOLE	1 LUG	21.38	8 BOLT	842N 10'
106440	8	86.75	1 HOLE	1 LUG	26.63	8 BOLT	
107451-04	8	89.75	1 HOLE	1 LUG	24.38	8 BOLT	
108262	8	89.75	2 HOLES	1 LUG	22.75	8 BOLT	742NT 12-18'
108695	8	89.75	1 HOLE	1 LUG	21.5	8 BOLT	
108705	7.5	56.25	1 HOLE	1 LUG	24.88	8 BOLT	812N 10'
109601	8	86.75	2 HOLES	1 LUG	22	8 BOLT	842/862N 12-18'
109602	8	86.75	2 HOLES	1 LUG	22	8 BOLT	842/862N 12-18' EX
109603	8	89.75	2 HOLES	1 LUG	22	8 BOLT	842/862NT 12-18'
109610	8	86.75	2 HOLES	1 LUG	24.5	8 BOLT	812/816N 12-18'
109611	8	86.75	2 HOLES	1 LUG	24.5	8 BOLT	812/816N 12-18' EX
109612	8	89.75	2 HOLES	1 LUG	24.5	8 BOLT	812/816NT 12-18'
109838	8	89.75	2 HOLES	1 LUG	26.38	8 BOLT	714NT 12-18'
109839	8	89.75	2 HOLES	1 LUG	25.13	8 BOLT	714NTC 12-18'
109995	8	86.75	2 HOLES	1 LUG	27.13	6 BOLT	612N 12-18'
109996	8	86.75	2 HOLES	1 LUG	27.13	6 BOLT	612N 12-18' EX
109997	8	86.75	2 HOLES	1 LUG	25.75	6 BOLT	612NC 12-18'
109998	8	86.75	2 HOLES	1 LUG	25.75	6 BOLT	612NC 12-18' EX

# FOLDING MAIN FRAME RUNNING GEARS



A - INCHES

B - INCHES

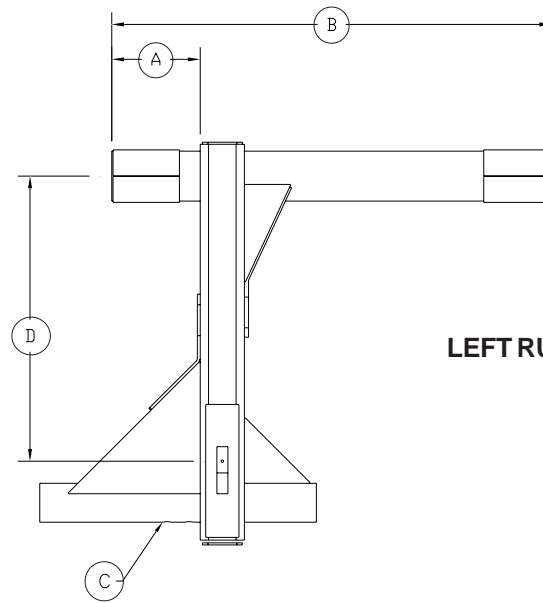
C - NUMBER OF SPINDLE BOLT HOLES

D - NUMBER OF CYLINDER LUGS

E - INCHES

PART NO.	A	B	C	D	E	HUB	MODEL
246513	8	79.75	1 HOLE	1 LUG	27.13	10 BOLT	
352937	6.5	69.75	2 HOLES	-	-	8 BOLT	812NOCL22-26'
355839	8	95.75	2 HOLES	1 LUG	28.63	10 BOLT	742NT 24-30'
355842	8	95.75	2 HOLES	1 LUG	30.13	10 BOLT	714LNT 34-38'
355843	8	95.75	2 HOLES	1 LUG	30.13	10 BOLT	714NT 24-30'
355846	8	95.75	2 HOLES	1 LUG	29.13	10 BOLT	714NTC 24-30'
355849	8	95.75	2 HOLES	1 LUG	29.13	10 BOLT	714LNTC 34-38'
356022	8	95.75	2 HOLES	1 LUG	26.13	8 BOLT	714NTC LITE
104749	6.5	69.75	1 HOLE	-	-	8 BOLT	812NOCL 22-26'
106160	9.5	95.75	1 HOLE	2 LUG	25.63	10 BOLT	
106175	8	79.75	1 HOLE	1 LUG	25.63	8 BOLT	842/862NT 22-24'
106321	8	95.75	1 HOLE	1 LUG	25.63	8 BOLT	842/862NT 26-30'
106341	8	95.75	1 HOLE	1 LUG	27.13	10 BOLT	
106521	8	95.75	1 HOLE	1 LUG	27.13	8 BOLT	814/816NT 26-30'
108544	8	95.75	1 HOLE	1 LUG	25.63	10 BOLT	
108697	8	95.75	1 HOLE	1 LUG	30.13	10 BOLT	
109021	8	79.75	1 HOLE	1 LUG	27.13	8 BOLT	814/816NT 22-26'
109229	9.5	95.75	1 HOLE	1 LUG	25.63	10 BOLT	
109604	8	79.75	2 HOLES	1 LUG	25.75	8 BOLT	842/862NT 22-24'
109605	8	95.75	2 HOLES	1 LUG	25.75	8 BOLT	842/862NT 26-30'
109606	8	95.75	2 HOLES	1 LUG	25.75	10 BOLT	842/862LNT 34-38'
109607	8	95.75	2 HOLES	1 LUG	25.75	10 BOLT	842/862NT 26-30'
109613	8	79.75	2 HOLES	1 LUG	27.5	8 BOLT	814/816NT 22-26'
109614	8	95.75	2 HOLES	1 LUG	27.5	8 BOLT	814/816NT 26-30'
109615	8	95.75	2 HOLES	1 LUG	27.5	10 BOLT	814/816NT 34-38'
109789	8	95.75	2 HOLES	1 LUG	28.63	8 BOLT	742NT 24-30'
109790	8	95.75	2 HOLES	1 LUG	28.38	10 BOLT	742LNT 34-308'
109840	8	95.75	2 HOLES	1 LUG	30.13	8 BOLT	714NT 24-30'
109841	8	95.75	2 HOLES	1 LUG	29.13	8 BOLT	714NTC 24-30'

# FOLDING WING RUNNING GEARS

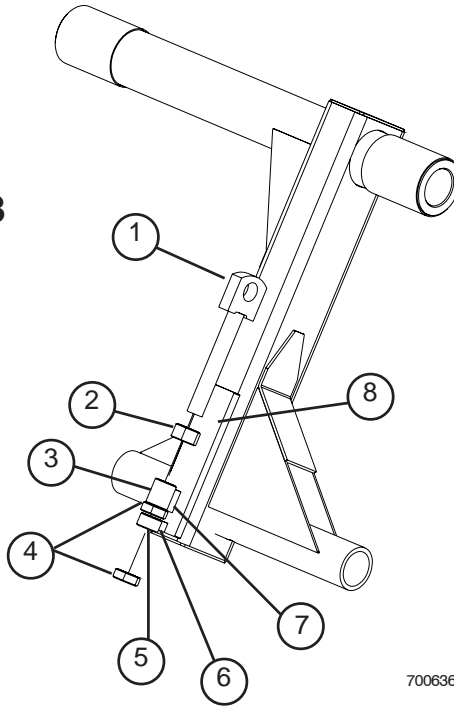


LEFT RUNNING GEAR SHOWN

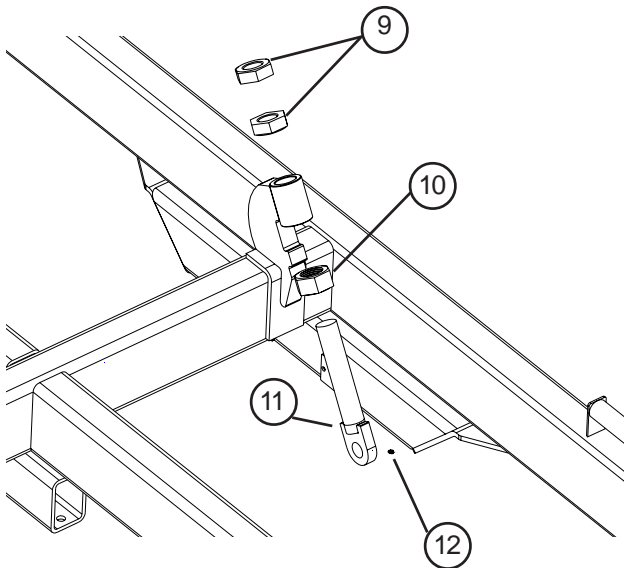
		A - INCHES	B - INCHES	C - NUMBER OF SPINDLE BOLT HOLES	D - INCHES		
LH PART #	RH PART #	A	B	C	D	HUB	MODEL
246514	246515	7.5	39.75	1 HOLE	27.13	8 BOLT	
350364	350365	6.5	39.75	1 HOLE	-	8 BOLT	812NOCL24-26'
350366	350367	6.5	29.75	1 HOLE	-	8 BOLT	812NOCL20-22'
351822	351823	8	39.75	2 HOLES	25.75	10 BOLT	842/862NT 26-38'
351824	351825	8	39.75	2 HOLES	27.5	10 BOLT	814/816NT 26-38'
352938	-	6.5	31.75	1 HOLE	-	8 BOLT	812NOCL 22'
-	352939	6.5	27.75	1 HOLE	-	8 BOLT	812NOCL 22'
352940	352941	6.5	39.75	2 HOLE	-	8 BOLT	812NOCL 24-26'
355840	355841	8	39.75	2 HOLES	28.63	10 BOLT	742NT 26-38'
355844	355845	8	39.75	2 HOLES	30.13	10 BOLT	714NT 26-38'
355847	355848	8	39.75	2 HOLES	29.13	10 BOLT	714NTC 26-38'
356023	356024	8	39.75	2 HOLES	26.13	8 BOLT	714NTC LITE
104750	W104750R	6.5	39.75	1 HOLE	-	8 BOLT	812NOCL20-22'
104808	W104808R	6.5	29.75	1 HOLE	-	8 BOLT	812NOCL24-26'
106315	W106316	7.5	39.75	1 HOLE	ADJ	8 BOLT	
107004	W107005	8	37.75	2 HOLES	ADJ	10 BOLT	
108687	W108688	7.5	39.75	1 HOLE	25.63	8 BOLT	
108689	W108690	7.5	39.75	1 HOLE	27.13	8 BOLT	
108691	W108692	7.5	39.75	1 HOLE	25.63	10 BOLT	
108698	W108699	7.5	39.75	1 HOLE	30.13	8 BOLT	
109608	W109609	8	39.75	2 HOLES	25.75	8 BOLT	842/862NT 22-38'
109617	W109618	8	39.75	2 HOLES	27.5	8 BOLT	814/816NT 26-30'
109791	W109792	8	39.75	2 HOLES	28.63	8 BOLT	742NT 24-38'
109842	W109842	8	39.75	2 HOLES	30.13	8 BOLT	714NT 24-38'
109844	W109844	8	39.75	2 HOLES	29.13	8 BOLT	714NTC 24-38'

# WING LEVEL ADJUST

**NOTE: PRIOR TO 2008**



700636



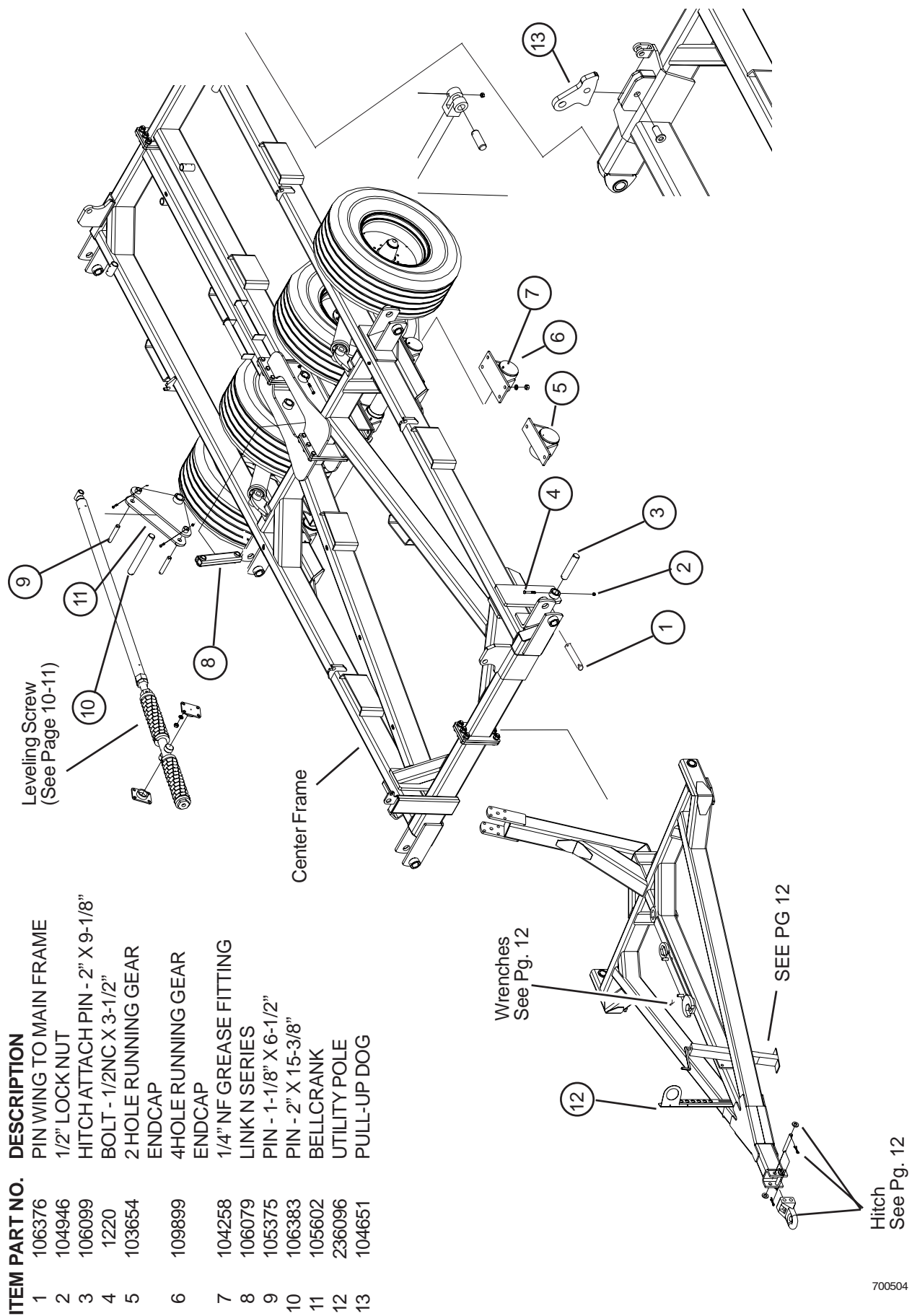
700637

**NOTE: 2008 AND LATER**

ITEM	PART NO.	DESCRIPTION
1	104608	LEVELING SCREW (ON AXLE)
2	104728	NUT - 1-1/4"NC
3	108075	LONG SLEEVE
4	104780	JAM NUT - 1-1/4"NC
5	108076	SHORT SLEEVE
6	108078	SHORT STAND OFF MOUNT
7	108077	LONG STAND OFF MOUNT
8	106307	BASE PLATE
9	107195	JAM NUT - 2"NC
10	1506	NUT - 2"NC
11	108686	LEVELING SCREW (ON FRAME)
12	104258	GREASE FITTING - 1/4-28NF
	108693	WING LEVEL UPDATE KIT (NO JIG)
	108746	PLACEMENT JIG



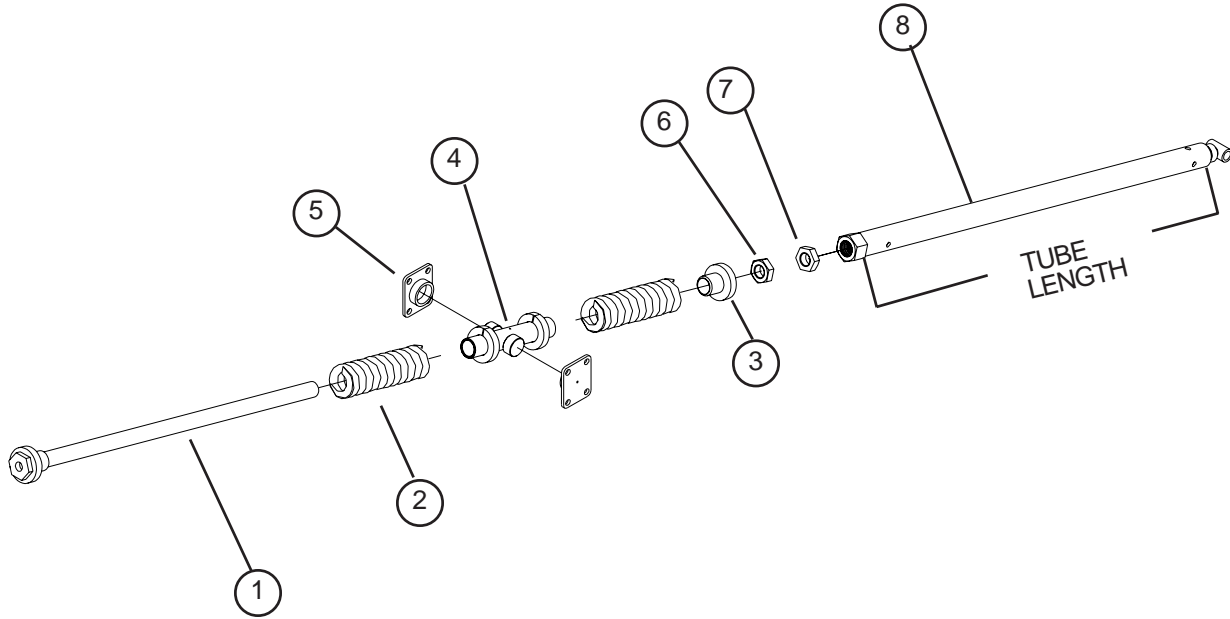
# LEVELING COMPONENTS



ITEM PART NO.	DESCRIPTION
1	PIN WING TO MAIN FRAME
2	1/2" LOCKNUT
3	HITCH ATTACH PIN - 2" X 9-1/8"
4	BOLT - 1/2NC X 3-1/2"
5	2 HOLE RUNNING GEAR ENDCAP
6	4 HOLE RUNNING GEAR ENDCAP
7	1/4" NFGREASE FITTING
8	LINK N SERIES
9	PIN - 1-1/8" X 6-1/2"
10	PIN - 2" X 15-3/8"
11	BELLCRANK
12	UTILITY POLE
13	PULL-UP DOG

700504

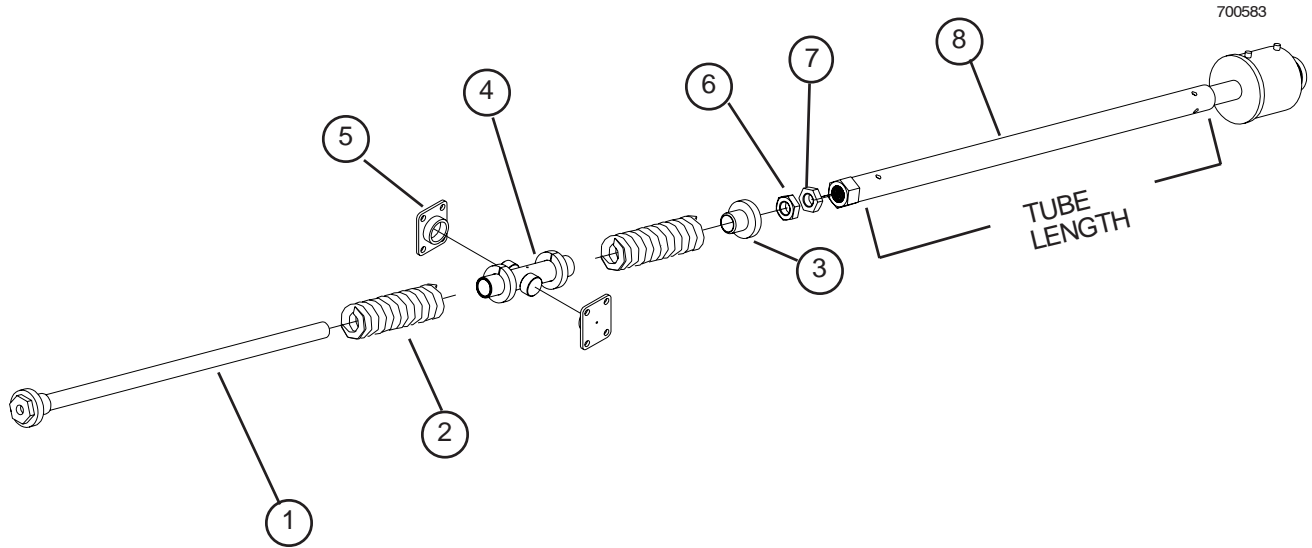
# MANUAL LEVELING COMPONENTS



700505

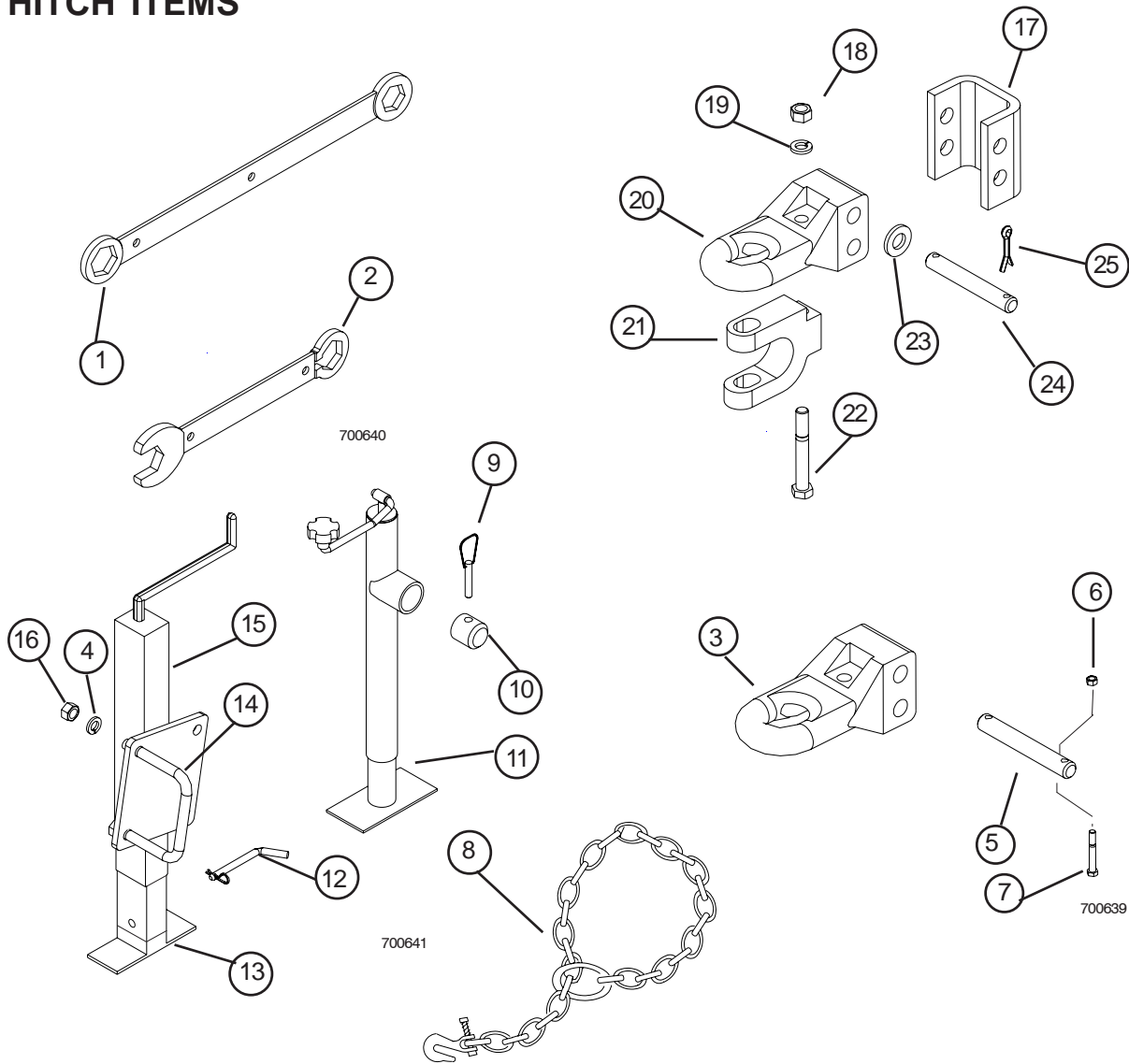
ITEM	PART NO.	DESCRIPTION
1	350022	LEVELING TUBE ADJUST - 52"
	350023	LEVELING TUBE ADJUST - 56"
2	105924	LEVELING SPRING - 16.25" OAL
	103645	LEVELING SPRING - 14.25" OAL
	1402	LEVELING SPRING - 10" OAL
3	103644	WASHER WELD
4	105707	TRUNION - AFTER 2000
	104568	PIVOT ASSY - <18', BEFORE 2000
	104571	PIVOT ASSY - >20', BEFORE 2000
5	105676	LEVELING FLANGE
6	1506-9-16	2IN NUT W/ SET SCREW HOLES
7	89442	2IN JAM NUT
8	350025	76" ADJUSTMENT TUBE - OFFSET, FOLD
	350027	74" ADJUSTMENT TUBE - TANDEM, FOLD
	350029	66" ADJUSTMENT TUBE - TANDEM, NON-FOLD
	350031	62" ADJUSTMENT TUBE - OFFSET, NON-FOLD

# HYDRAULIC LEVELING COMPONENTS



ITEM	PART NO.	DESCRIPTION
1	350022	LEVELING TUBE ADJUST - 52"
	350023	LEVELING TUBE ADJUST - 56"
2	105924	LEVELING SPRING - 16-25" OAL
	103645	LEVELING SPRING - 14.25" OAL
	1402	LEVELING SPRING - 10" OAL
3	103644	WASHER WELD
4	105707	TRUNION - AFTER 2000
	104568	PIVOT ASSY - <18', BEFORE 2000
	104571	PIVOT ASSY - >20', BEFORE 2000
5	105676	LEVELING FLANGE
6	89442	2IN NUT
7	107195	2IN JAM NUT
8	350039	57" HYD ADJUSTMENT TUBE - OFFSET, FOLD
	350041	55" HYD ADJUSTMENT TUBE - TANDEM, FOLD
	350043	47" HYDADJUSTMENT TUBE - OFFSET, NON-FOLD
	350045	43" HYD ADJUSTMENT TUBE - TANDEM, NON-FOLD
	108621	SEAL KIT - PRINCE
	1962	SEAL KIT - WISHEK

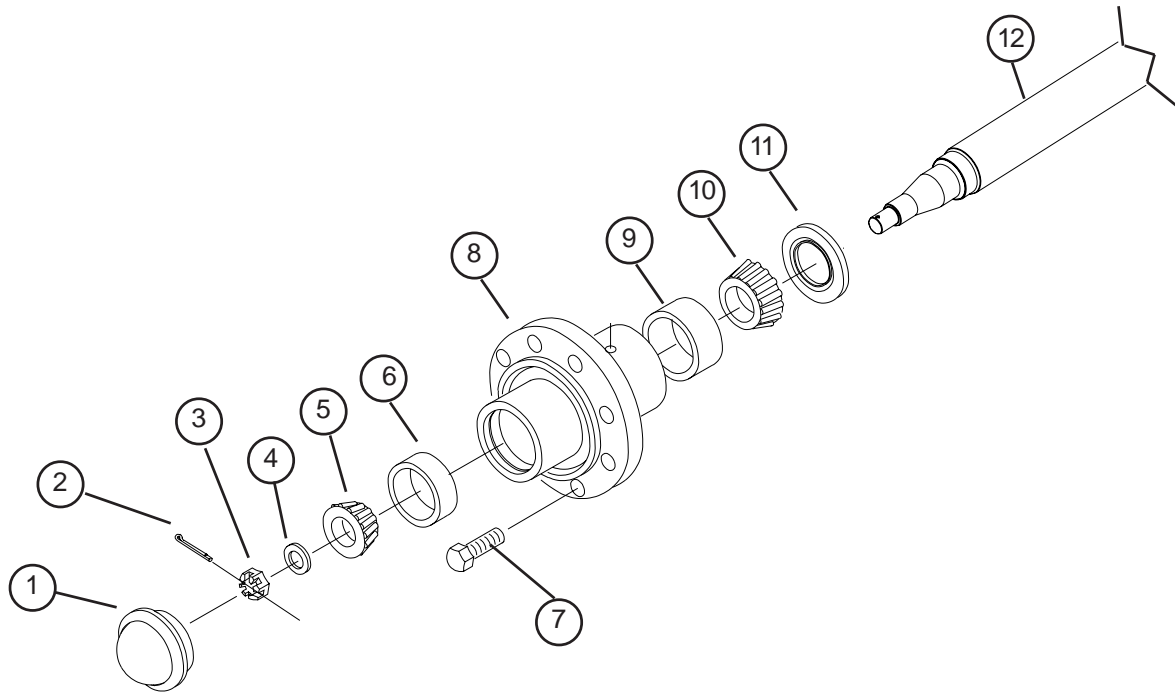
# HITCH ITEMS



ITEM	PART NO.	DESCRIPTION
1	1560	LONG WRENCH
2	1562	SHORT WRENCH
3	107909	CAT 4 AG HITCH 2-1/4" HOLE (HD)
	247751	CAT 5 AG HITCH
4	1212	3/4" LOCKWASHER
5	109594	PIN
6	88162	LOCK NUT 3/8"NC
7	109594	BOLT 3/8" X 2-1/4
8	24459	SAFETY CHAIN - 10' TO 18'
	238225	SAFETY CHAIN - 20' TO 38'
9	1799	PIN - HITCH JACK
10	1800	HITCH JACK MOUNT WELD-ON
11	1803	HITCH JACK (INCLUDES 13&14)
12	108279	PIN
13	108178	DROPLEG FOR JACK - 8000LB
14	1702	U-BOLT 3/4NC X 6" X 6" - FOR 6"X4" TUBE HITCH
	89555	U-BOLT 3/4NC X 6" X 8" - FOR 6"X6" TUBE HITCH

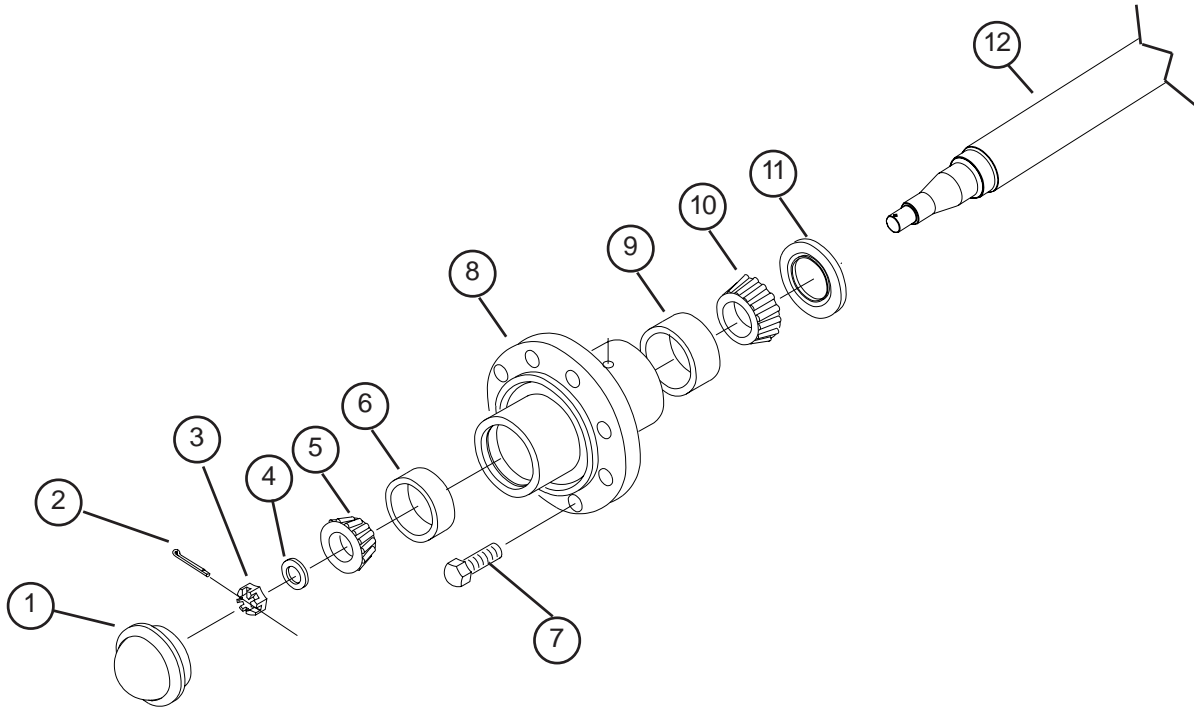
ITEM	PART NO.	DESCRIPTION
15	352954	JACK - 12KLB DROPLEG
	352791	JACK - 12K W/ U-BOLTS
16	1213	3/4" NUT
17	107194	2-1/4" HOLE SPACING
	104934	3" HOLE SPACING
18	88110	3/4" NUT
19	88130	3/4" LOCK WASHER
20	107193	CAT 4 HITCH 2-1/4" HOLE SPACING
	104935	CAT 4 HITCH 3" HOLE SPACING
21	104936	CLEVIS -FOR TRANSPORT ONLY
22	88579	BOLT - 3/4" X 5-1/2"
23	106053	WASHER - 1" X 2" X 1/4"
24	109594	1" X 8" PIN
25	88532	3/8" X 2" COTTER PIN

# H611 - 6 BOLT HUB



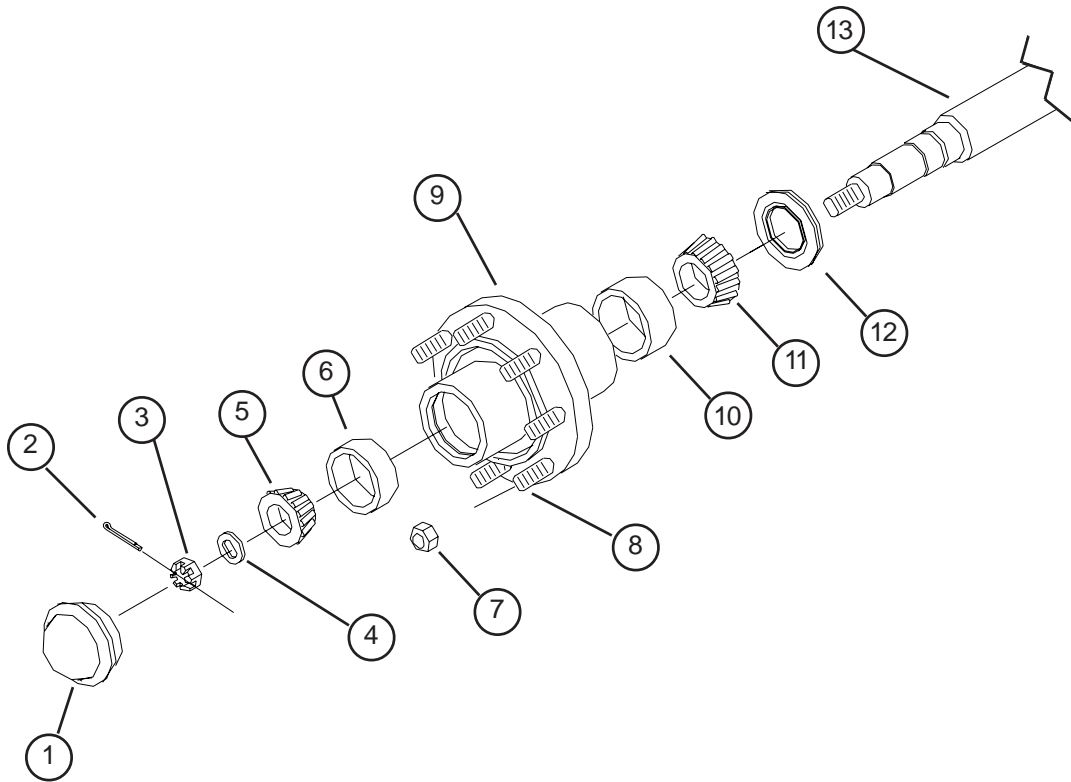
ITEM	PART NO.	DESCRIPTION
1	1528	DUST CAP (DC13)
2	103586	COTTER PIN - 3/16" X 1-1/2"
3	1531	SPINDLE NUT - 1-14NF
4	1532	SPINDLE WASHER - WA 17
5	1533	OUTER BEARING (LM67048)
6	1536	OUTER CUP (LM67010)
7	1551	WHEEL BOLT - 1/2-20NF
8	1548	HUB ONLY (INCLUDES CUPS)
	1525	COMPLETE HUB
	3078	HUB REPAIR KIT (1,5,6,9,10,11)
9	1539	INNER CUP (LM29710)
10	1542	INNER BEARING (LM29749)
11	1545	DUST SEAL (193353-TA)
12	1972	SPINDLE - 32"

# H618 - 6 BOLT HUB



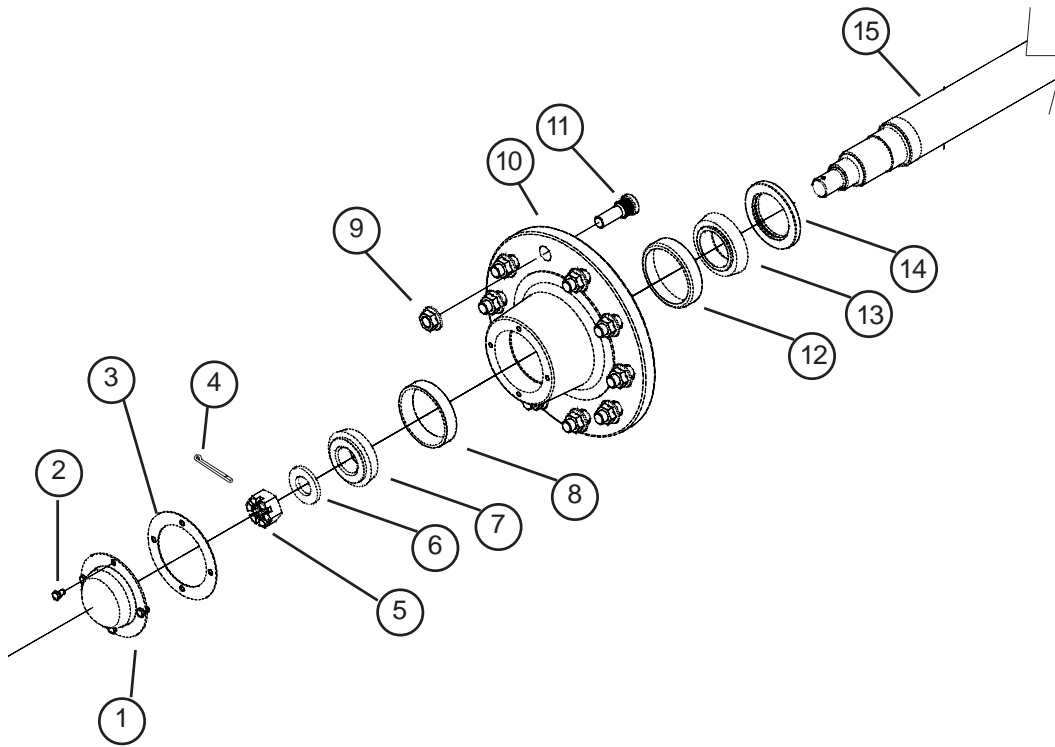
ITEM	PART NO.	DESCRIPTION
1	1529	DUST CAP (DC15)
2	103586	COTTER PIN - 3/16" X 1-1/2
3	1531	SPINDLE NUT - 1-14NF
4	1532	SPINDLE WASHER - WA 17
5	1534	OUTER BEARING (LM45548)
6	1537	OUTER CUP (LM48510)
7	1552	WHEEL BOLT- 9/16-18NF
8	1549	HUB ONLY (INCLUDES CUPS)
	1526	COMPLETE HUB (H618)
	3077	HUB REPAIR KIT (1,5,6,9,10,11)
9	1540	INNER CUP (25520)
10	1543	INNER BEARING (25580)
11	1546	DUST SEAL (193353-TA)
12	1973	SPINDLE - 37"

## 8 BOLT HUB



ITEM	PART NO.	DESCRIPTION
1	1530	DUST CAP
2	103586	COTTER PIN - 3/16 X 1-1/2
3	1531	SPINDLE NUT - 1-14NF
4	1532	SPINDLE WASHER - WA 17
5	1535	OUTER BEARING (2790)
6	1538	OUTER CUP (2720)
7	103636	STUD NUT 9/16 - 18NF
8	104213	STUD BOLT 9/16 - 18NF
9	1550	HUB ONLY (INCLUDES CUPS)
	1527	COMPLETE HUB
	3076	HUB REPAIR KIT (1,5,6,10,11,12)
	109500	COMPLETE HUB AND SINGLE END SPINDLE
10	1541	INNER CUP (3720)
11	1544	INNER BEARING (3780)
12	1547	DUST SEAL (25091)
13	1974	DOUBLE END SPINDLE - 42"
	1975	DOUBLE END SPINDLE - 49"
	106992	DOUBLE END SPINDLE - 45"
	109548	SINGLE ENDED SPINDLE - 21"
	108056	SINGLE END SPINDLE - 27.5"
	105936	SINGLE END SPINDLE - 32"
	105937	SINGLE END SPINDLE - 30"

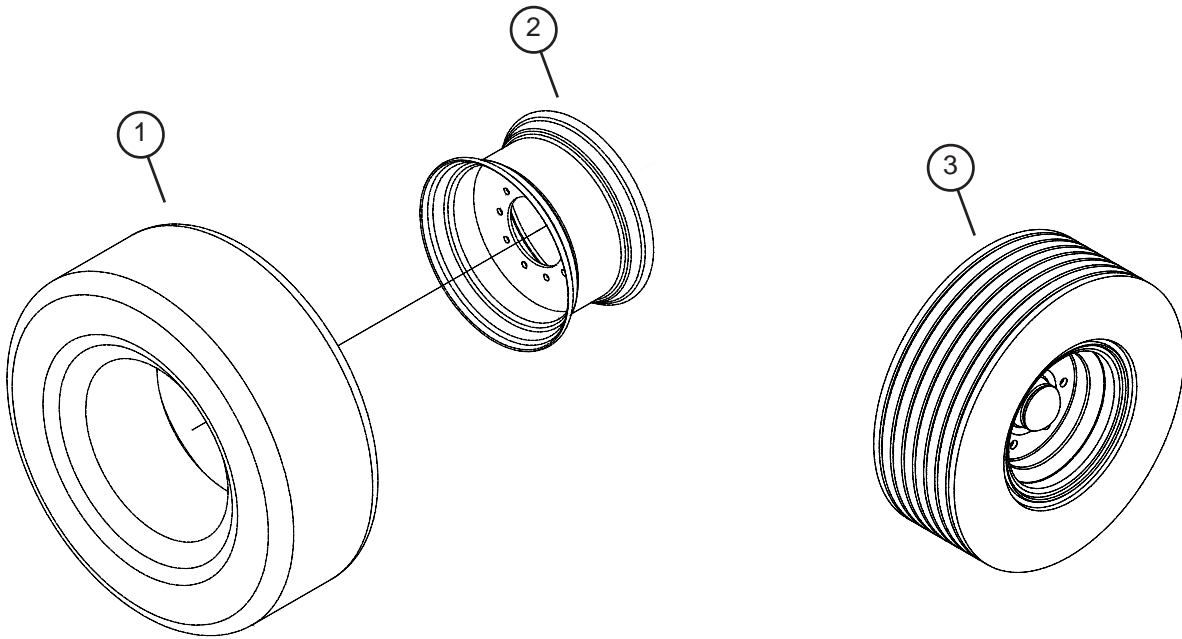
# 10 BOLT HUB



ITEM	PART NO.	DESCRIPTION
1	106395	DUST CAP
2	106460	BOLT - DUST CAP - 5/16 X 1/2
3	106459	GASKET
4	107663	COTTER PIN - 1/4 X 2-1/2
5	106396	SPINDLE NUT - 1-1/4 -12NF
6	106397	SPINDLE WASHER - 3/8 X 3
7	106398	OUTER BEARING (460)
8	106399	OUTER CUP (453A)
9	106454	STUD NUT 3/4 - 16NF FLANGE
10	106455	HUB ONLY (INCLUDES CUPS)
	106456	COMPLETE HUB
	106457	HUB REPAIR KIT (7,8,12,13,14)
	350015	COMPLETE HUB AND SPINDLE ASSY
11	106453	STUD BOLT 3/4 - 16NF
12	106400	INNER CUP (39520)
13	106451	INNER BEARING (39585)
14	106452	DUST SEAL (CR30087)
15	W109508	SINGLE END SPINDLE - 25"
	106159	DOUBLE END SPINDLE - 50"
	106840	SINGLE END SPINDLE - 34"
	106933	DOUBLE END SPINDLE - 44"
	108630	DOUBLE END SPINDLE - 39.5"



## RIMS AND TIRES



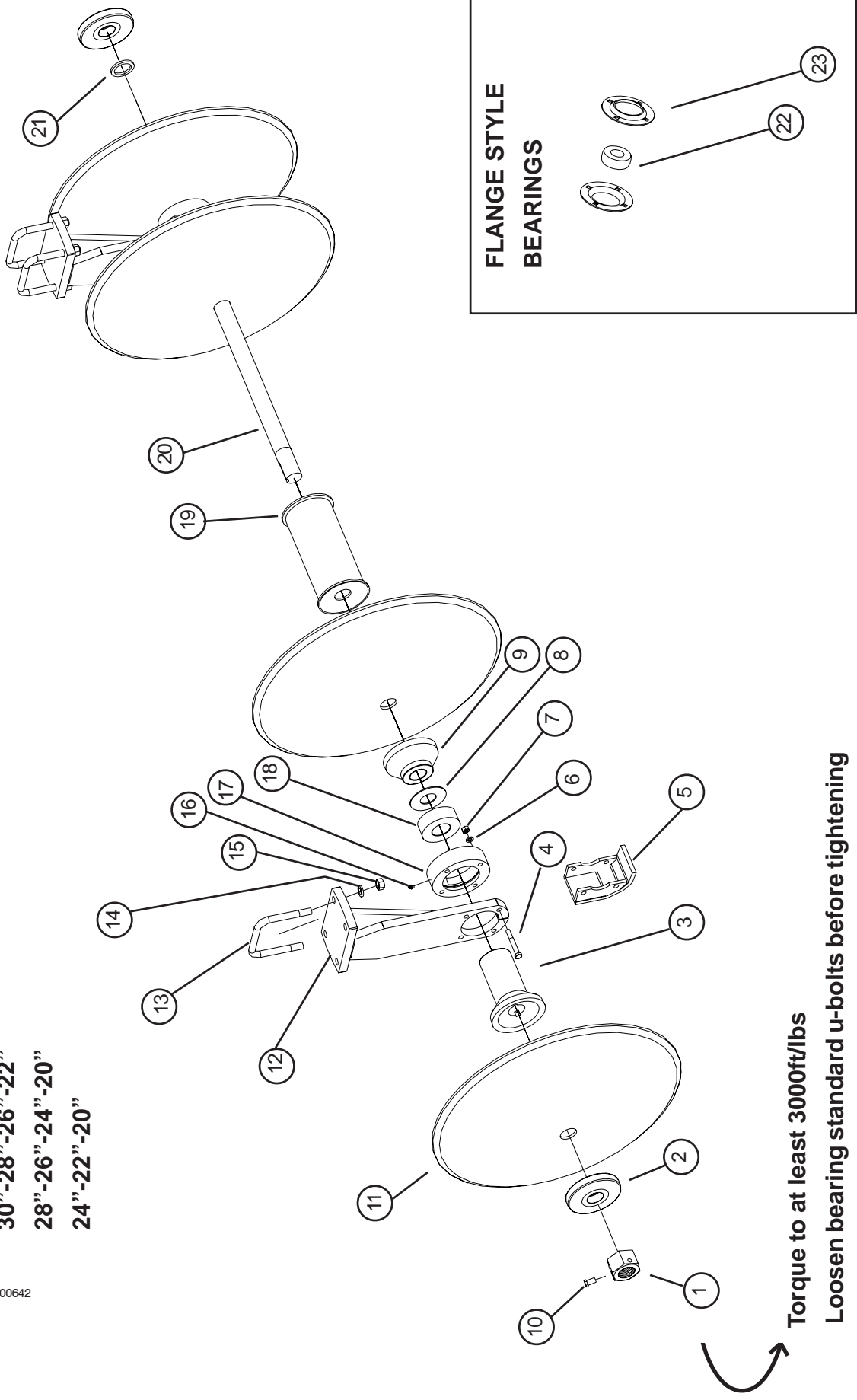
ITEM	PART NO.	DESCRIPTION
1	1520	11L X 15" TIRE
	105314	12.5L X 15" TIRE
	106013	385/65R22.5" TIRE
	1523	13.5/85R16 TIRE (SUBWAY TIRE)
	104467	TUBE FOR SUBWAY TIRE (NOT SHOWN)
	104468	LINER FOR SUBWAY TIRE (NOT SHOWN)
2	1804	RIM - 15" X 8" X 6HOLE (11L X 15")
	104214	RIM - 15" X 10" X 6HOLE (12.5L X 15")
	105313	RIM - 15" X 10" X 8HOLE (11L X 15")
	106014	RIM - 11.5" X 22.5 X 8HOLE (385/65R22.5)
	107238	RIM - 11.75" X 22.5" X 10HOLE (385/65R22.5)
	3073	SPLIT RIM 16" X 8 HOLE (13.5/85R16 TIRE) - SUBWAY TIRE
3	105282	ASSY - 8 BOLT RIM W/12.5L X 15" TIRE
	105247	ASSY - 8 BOLT RIM W/13.5/85R16 TIRE - SUBWAY TIRE
	106012	ASSY - 8 BOLT RIM W/385/65R22.5 TIRE
	107239	ASSY -10 BOLT RIM W/385/65R22.5 TIRE

**GANG, RIGID OR ROCK FLEX**

**NOTE: TAPERED/STEP-DOWN/LEVELING BLADE SIZING ON REAR GANG:**

- 30"-28"-26"-22"
- 28"-26"-24"-20"
- 24"-22"-20"

700642



**Torque to at least 3000ft/lbs**  
**Loosen bearing standard u-bolts before tightening**  
**Locate set bolt to gang shaft groove**

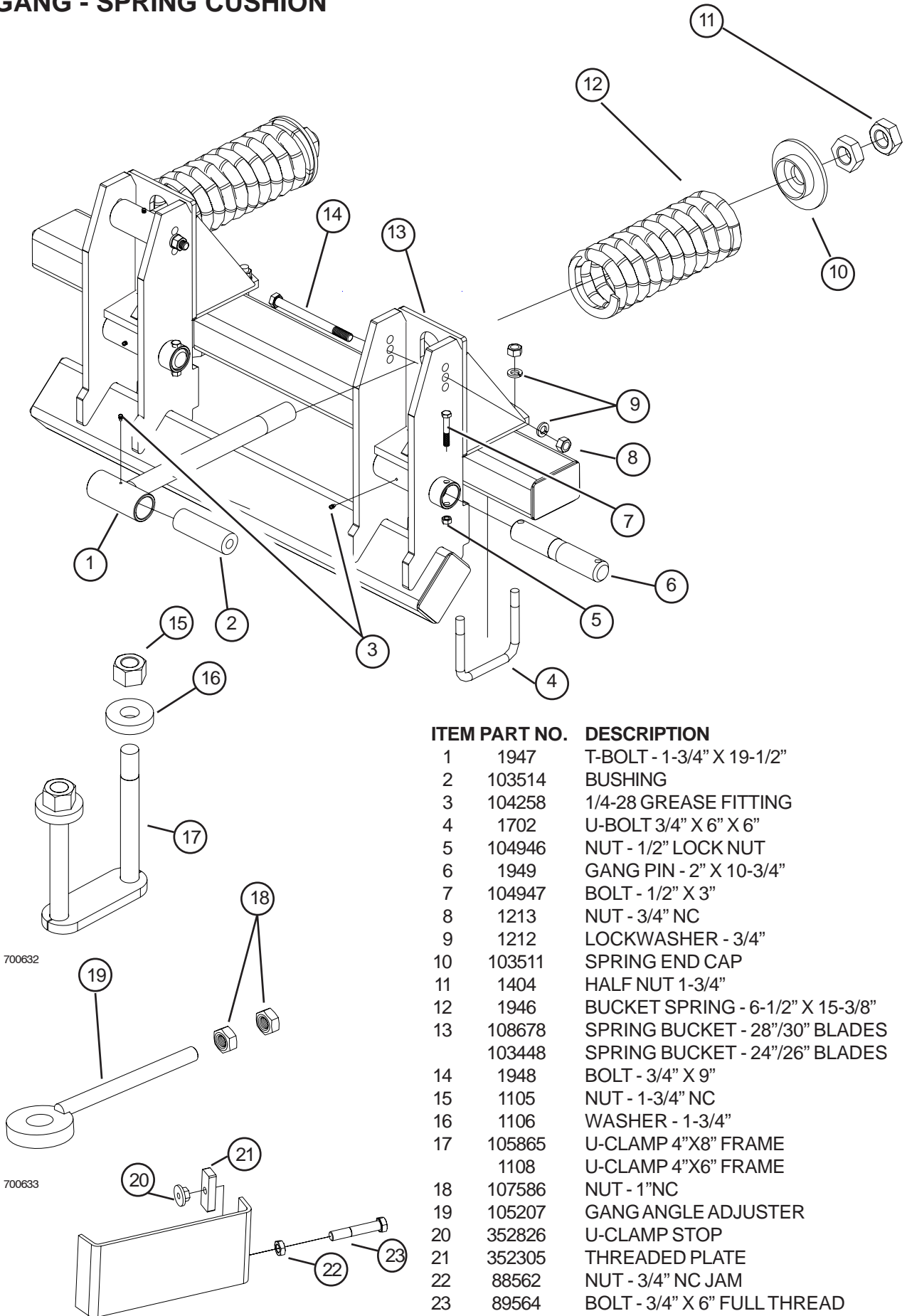
## GANG, RIGID OR ROCK FLEX

ITEM	PART NO.	DESCRIPTION
1	1506-9-16	2 IN DRILLED NUTWITH SET SCREW
2	106923	END WASHER
3	107933	1/2 SPACER - 8-3/8" (13IN)
	105740	1/2 SPACER - 6-3/8" (11IN)
	106804	1/2 SPACER - 5-3/8" (10IN )
	1207	1/2 SPACER - 4-3/8" (9IN )
4	88507	BOLT - 1/2 - 3-1/2" NC
	88382	BOLT - 1/2 - 4-1/2" NC (FOR USE WITH BEARING GUARD)
5	109820	BEARING GUARD - OPTIONAL
6	88303	LOCK WASHER - 1/2"
7	88104	NUT - 1/2" NC
8	104884	BEARING GUARD WASHER - OPTIONAL
9	105283	CAST 1/2 SPACER - 2-3/4"
10	89449	SET BOLT - 9/16 X 1"
11	107253	3/16" X 18" SMOOTH BLADE
	107270	1/4" X 20" SMOOTH BLADE
	142-22	1/4" X 22" SMOOTH BLADE
	516-24	5/16" X 24" SMOOTH BLADE
	104553	5/16" X 26" SMOOTH BLADE
	106075	5/16" X 28" SMOOTH BLADE
	106021	5/16" X 30" SMOOTH BLADE
	516-24N	5/16" X 24" NOTCHED BLADE
	105325	5/16" X 26" NOTCHED BLADE
	106100	5/16" X 28" NOTCHED BLADE
	105470	5/16" X 30" NOTCHED BLADE
12	103504	BEARING STANDARD (28/30 BLADE)
	103500	BEARING STANDARD (24/26 BLADE)
13	1702	U-BOLT 3/4" 6X6
14	88130	LOCKWASHER - 3/4"
15	88110	NUT - 3/4NC
16	89447	1/8" NPT 90 DEGREE GREASE FITTING
17	1103-214	214 BEARING HOUSING
18	1102-214	214 BEARING - 1-15/16" ID X 4.9" OD
19	107670	SPACER - 13" SPACING (12.5")
	1202	SPACER - 11" SPACING (10.5")
	1203	SPACER - 10" SPACING (9.5")
	1201	SPACER - 9" SPACING (8.5")
20		GANG SHAFT - SEE FOLLOWING PAGES
21	104274	END WASHER (1/4")
22	1102-210	210 SERIES BEARING (1979 AND PRIOR)
	1102-211	211 SERIES BEARING (1980-1982)
23	1103-90MS	210 BEARING FLANGE SET
	1103-100MS	211 BEARINGS FLANGE SET (1 W/GRS FTG, 1W/O)
-	240799	460ep GREASE (10 PACK)

**NOTE: FOR GANG SHAFT SIZES NOT SHOWN IN FOLLOWING PAGES,  
USE FORMULA BELOW:**

**(# BLADES - 1) X SPACING (IN INCHES) + 6" = GANG SHAFT LENGTH**

# GANG - SPRING CUSHION



ITEM	PART NO.	DESCRIPTION
1	1947	T-BOLT - 1-3/4" X 19-1/2"
2	103514	BUSHING
3	104258	1/4-28 GREASE FITTING
4	1702	U-BOLT 3/4" X 6" X 6"
5	104946	NUT - 1/2" LOCK NUT
6	1949	GANG PIN - 2" X 10-3/4"
7	104947	BOLT - 1/2" X 3"
8	1213	NUT - 3/4" NC
9	1212	LOCKWASHER - 3/4"
10	103511	SPRING END CAP
11	1404	HALF NUT 1-3/4"
12	1946	BUCKET SPRING - 6-1/2" X 15-3/8"
13	108678	SPRING BUCKET - 28"/30" BLADES
	103448	SPRING BUCKET - 24"/26" BLADES
14	1948	BOLT - 3/4" X 9"
15	1105	NUT - 1-3/4" NC
16	1106	WASHER - 1-3/4"
17	105865	U-CLAMP 4"X8" FRAME
	1108	U-CLAMP 4"X6" FRAME
18	107586	NUT - 1"NC
19	105207	GANG ANGLE ADJUSTER
20	352826	U-CLAMP STOP
21	352305	THREADED PLATE
22	88562	NUT - 3/4" NC JAM
23	89564	BOLT - 3/4" X 6" FULL THREAD



# GANG SHAFTS

## 612N NON-FOLDING GANGSHAFT

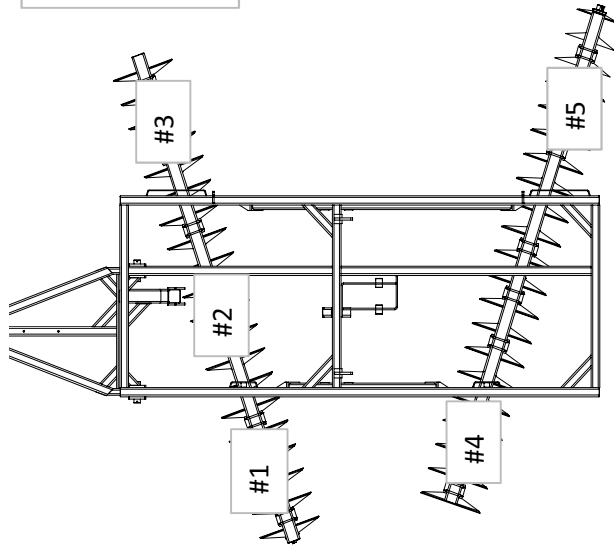
SIZE ACCORDING TO SERIAL  
NUMBER

S/N - ----- □□ <-- see note below

□□ = SIZE (EX: 22 - 22FT)

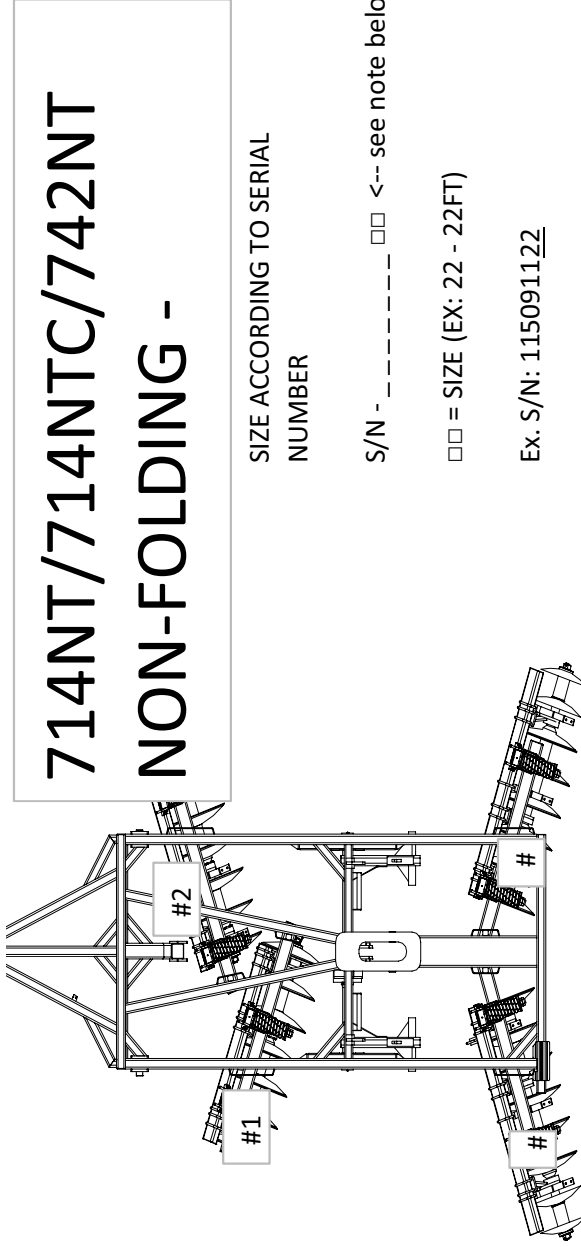
Ex. S/N: 115091122

NOTE: SOME DISCS HAVE FEWER GANGS.



Model: 612N NON-FOLDING

Size	#1	#2	#3	#4	#5
12	W1502-77	---	W1502-77	W1502-57	W1502-107
14	W1502-87	---	W1502-87	W1502-67	W1502-117
16	W1502-98	---	W1502-98	W1502-77	W1502-127
18	W1502-108	---	W1502-108	W1502-87	W1502-137



**714NT/714NTC/742NT  
NON-FOLDING -**

SIZE ACCORDING TO SERIAL  
NUMBER

S/N - \_ \_ \_ \_ \_ \_ \_ \_ \_ \_ □□ <-- see note below

□□ = SIZE (EX: 22 - 22FT)

Ex. S/N: 115091122

**Model: 714NT NON-FOLDING**

Size	#1	#2	#3	#4
12	W1502-67	W1502-67	W1502-76	W1502-76
14	W1502-77	W1502-77	W1502-86	W1502-86
16	W1502-87	W1502-87	W1502-96	W1502-96
18	W1502-98	W1502-98	W1502-107	W1502-107

**Model: 742NT NON-FOLDING**

Size	#1	#2	#3	#4
12	W1502-67	W1502-67	W1502-76	W1502-76
14	W1502-77	W1502-77	W1502-86	W1502-86
16	W1502-87	W1502-87	W1502-96	W1502-96
18	W1502-98	W1502-98	W1502-107	W1502-107

**Model: 714NTC NON-FOLDING**

Size	#1	#2	#3	#4
12	W1502-67	W1502-67	W1502-76	W1502-76
14	W1502-77	W1502-77	W1502-86	W1502-86
16	W1502-87	W1502-87	W1502-96	W1502-96
18	W1502-98	W1502-98	W1502-107	W1502-107

# GANG SHAFTS

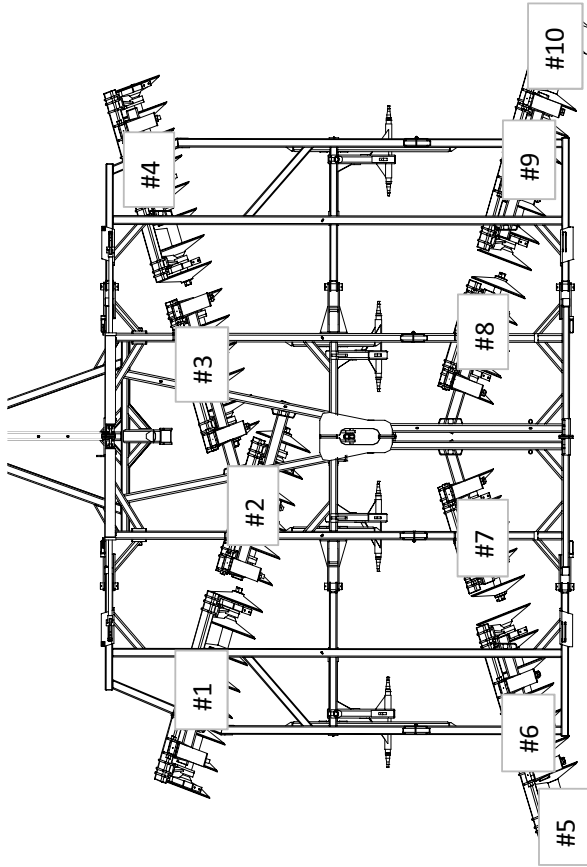
## 714NT/714NTC/ 742NT FOLDING -

SIZE ACCORDING TO SERIAL  
NUMBER

S/N - ----- □□ <-- see note below

□□ = SIZE (EX: 22 - 22FT)

Ex. S/N: 115091122



### Model: 714NT FOLDING

Size	#1	#2	#3	#4	#5	#6	#7	#8	#9	#10
24	W1502-77	W1502-67	W1502-67	W1502-77	W1502-96	---	W1502-57	W1502-57	---	W1502-96
26	W1502-88	W1502-67	W1502-67	W1502-88	W1502-107	---	W1502-57	W1502-57	---	W1502-107
30	W1502-98	W1502-77	W1502-77	W1502-98	W1502-76	W1502-47	W1502-57	W1502-57	W1502-47	W1502-76

### Model: 714NTC FOLDING

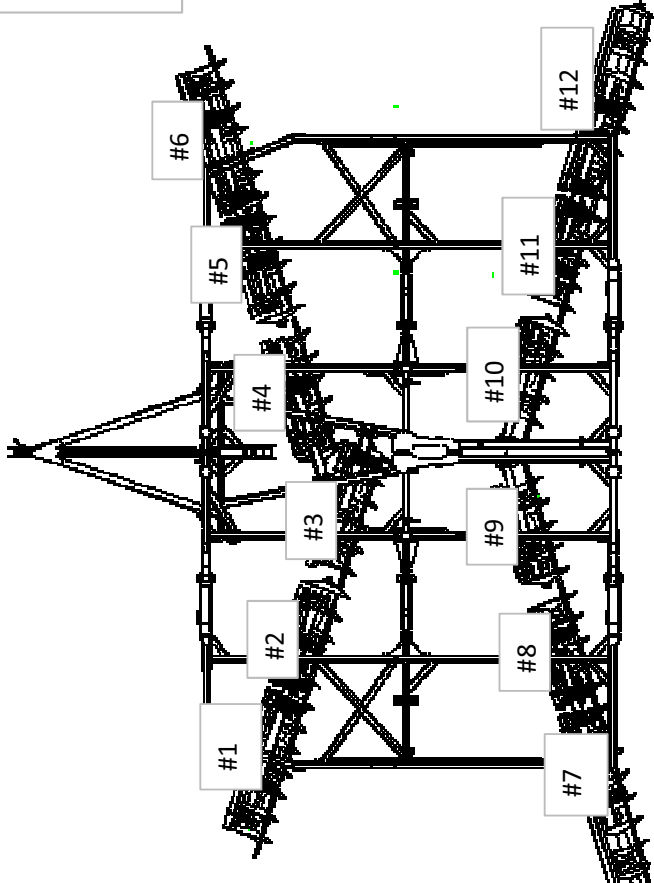
Size	#1	#2	#3	#4	#5	#6	#7	#8	#9	#10
24	W1502-77	W1502-67	W1502-67	W1502-77	W1502-96	---	W1502-57	W1502-57	---	W1502-96
26	W1502-88	W1502-67	W1502-67	W1502-88	W1502-107	---	W1502-57	W1502-57	---	W1502-107
30	W1502-98	W1502-77	W1502-77	W1502-98	W1502-76	W1502-47	W1502-57	W1502-57	W1502-47	W1502-76

### Model: 742NT FOLDING

Size	#1	#2	#3	#4	#5	#6	#7	#8	#9	#10
24	W1502-67	W1502-77	W1502-77	W1502-67	W1502-96	---	W1502-57	W1502-57	---	W1502-96
26	W1502-77	W1502-77	W1502-77	W1502-77	W1502-107	---	W1502-57	W1502-57	---	W1502-107
30	W1502-98	W1502-77	W1502-77	W1502-98	W1502-127	---	W1502-57	W1502-57	---	W1502-127



# 714LNT/714LNTC/742NT FOLDING - GANGSHAFT



SIZE ACCORDING TO SERIAL  
NUMBER

S/N - ----- □□ <-- see note below

□□ = SIZE (EX: 22 - 22FT)

Ex. S/N: 115091122

## Model: 714LNT FOLDING

Size	#1	#2	#3	#4	#5	#6	#7	#8	#9	#10	#11	#12
34	W1502-67	W1502-37	W1502-98	W1502-98	W1502-37	W1502-67	W1502-86	W1502-47	W1502-77	W1502-77	W1502-47	W1502-86
38	W1502-77	W1502-47	W1502-98	W1502-98	W1402-47	W1502-77	W1502-97	W1502-57	W1502-77	W1502-77	W1502-57	W1502-97

## Model: 714LNTC FOLDING

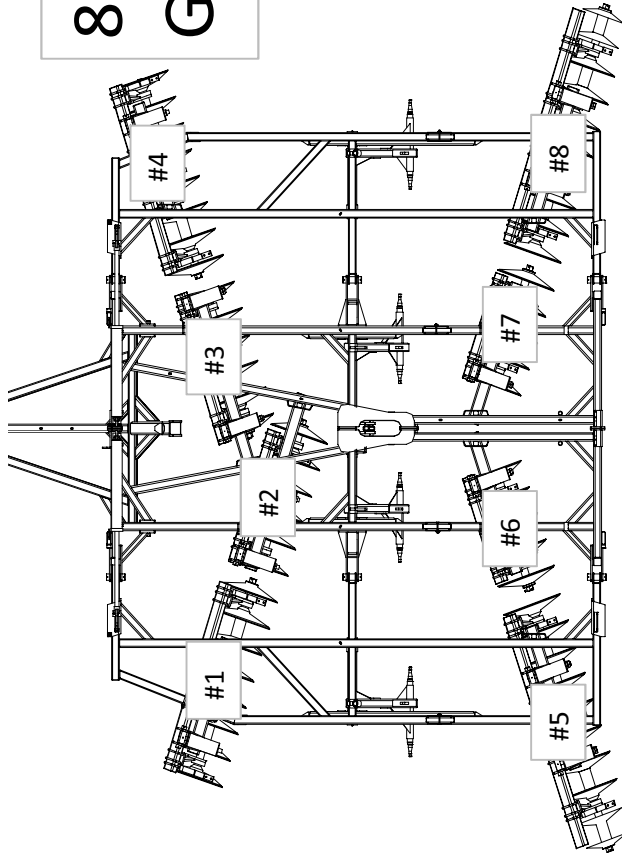
Size	#1	#2	#3	#4	#5	#6	#7	#8	#9	#10	#11	#12
34	W1502-67	W1502-37	W1502-98	W1502-98	W1502-37	W1502-67	W1502-86	W1502-47	W1502-77	W1502-77	W1502-47	W1502-86
38	W1502-77	W1502-47	W1502-98	W1502-98	W1502-47	W1502-77	W1502-97	W1502-57	W1502-77	W1502-77	W1502-57	W1502-97

## Model: 742LNT FOLDING

Size	#1	#2	#3	#4	#5	#6	#7	#8	#9	#10	#11	#12
34	W1502-67	W1502-37	W1502-98	W1502-98	W1502-37	W1502-67	W1502-86	W1502-47	W1502-77	W1502-77	W1502-47	W1502-86
38	W1502-88	W1502-37	W1502-98	W1502-98	W1502-37	W1502-88	W1502-107	W1502-47	W1502-77	W1502-77	W1502-47	W1502-107

# GANG SHAFTS

## 862NT/816NT FOLDING GANGSHAFT



SIZE ACCORDING TO SERIAL  
NUMBER

S/N - ---- □ □ <--- see note below

□ □ = SIZE (EX: 22 - 22FT)

Ex. S/N: 115091122

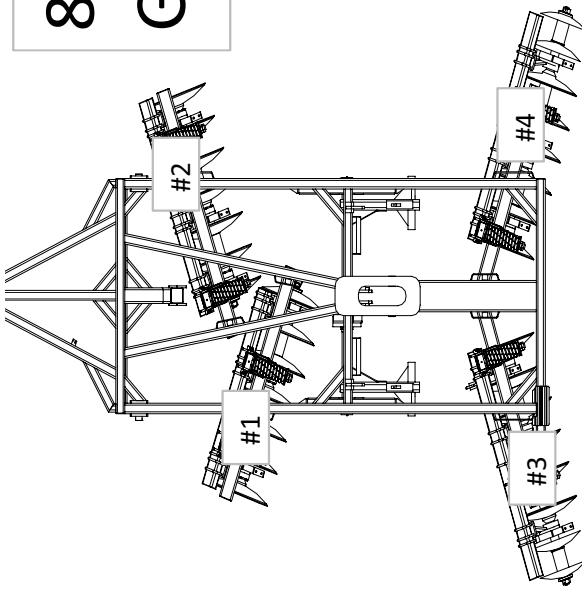
### Model: 862NT FOLDING

Size	# 1	# 2	# 3	# 4	# 5	# 6	# 7	# 8
22	W1502-47	W1502-73	W1502-73	W1502-47	W1502-84	W1502-47	W1502-47	W1502-84
26	W1502-73	W1502-73	W1502-73	W1502-73	W1502-97	W1502-60	W1502-60	W1502-97
30	W1502-99	W1502-73	W1502-73	W1502-99	W1502-123	W1502-60	W1502-60	W1502-123

### Model: 816NT FOLDING

Size	# 1	# 2	# 3	# 4	# 5	# 6	# 7	# 8
22	W1502-60	W1502-60	W1502-60	W1502-60	W1502-84	W1502-47	W1502-47	W1502-84
30	W1502-99	W1502-73	W1502-73	W1502-99	W1502-123	W1502-60	W1502-60	W1502-123

# 862NT/816NT NON-FOLDING GANGSHAFT



SIZE ACCORDING TO SERIAL  
NUMBER

S/N - \_ \_ \_ \_ \_ \_ \_ \_ \_ \_ □ □ <-- see note below

□ □ = SIZE (EX: 22 - 22FT)

Ex. S/N: 115091122

**Model: 862NT NON-FOLDING**

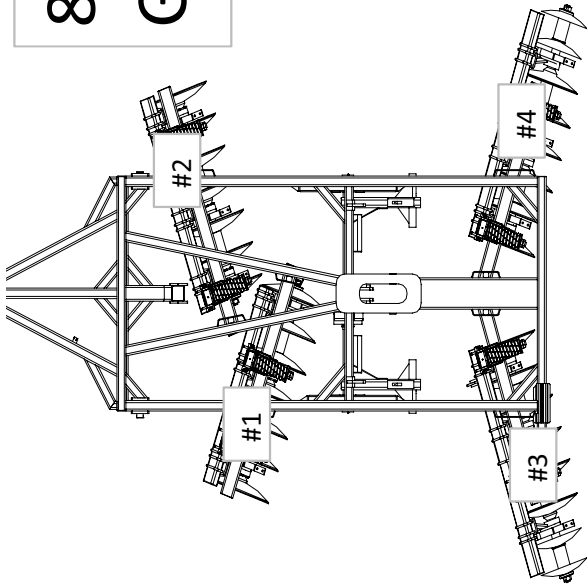
Size	#1	#2	#3	#4
14	W1502-73	W1502-73	W1502-84	W1502-84
16	W1502-86	W1502-86	W1502-97	W1502-97

**Model: 816NT NON-FOLDING**

Size	#1	#2	#3	#4
14	W1502-73	W1502-73	W1502-84	W1502-84
16	W1502-86	W1502-86	W1502-97	W1502-97

# GANG SHAFTS

## 842NT/814NT NON-FOLDING GANGSHAFT



SIZE ACCORDING TO SERIAL  
NUMBER

S/N - \_\_\_\_\_ □□ ←-- see note below

□□ = SIZE (EX: 22 - 22FT)

Ex. S/N: 115091122

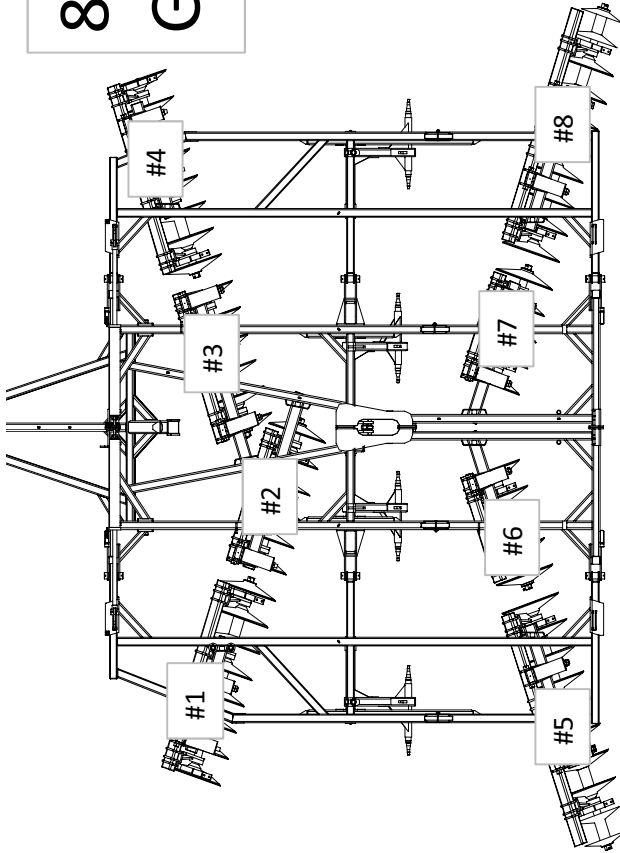
### Model: 842NT NON-FOLDING

Size	# 1	# 2	# 3	# 4
14	W1502-74	W1502-74	W1502-84	W1502-84
16	W1502-85	W1502-85	W1502-95	W1502-95

### Model: 814NT NON-FOLDING

Size	# 1	# 2	# 3	# 4
14	W1502-74	W1502-74	W1502-84	W1502-84
16	W1502-85	W1502-85	W1502-95	W1502-95
18	W1502-96	W1502-96	W1502-106	W1502-106

# 842NT/814NT FOLDING GANGSHAFT



SIZE ACCORDING TO SERIAL  
NUMBER

S/N - ----- □□ <-- see note below

□□ = SIZE (EX: 22 - 22FT)

Ex. S/N: 115091122

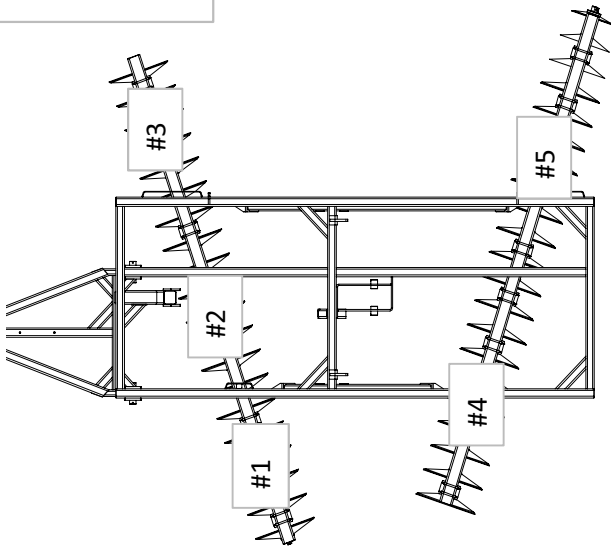
**Model: 842NT FOLDING**

Size	# 1	# 2	# 3	# 4	# 5	# 6	# 7	# 8
22	W1502-63	W1502-63	W1502-63	W1502-63	W1502-84	W1502-52	W1502-52	W1502-84
24	W1502-74	W1502-63	W1502-63	W1502-74	W1502-95	W1502-52	W1502-52	W1502-95
26	W1502-74	W1502-74	W1502-74	W1502-74	W1502-95	W1502-63	W1502-63	W1502-95
30	W1502-96	W1502-74	W1502-74	W1502-96	W1502-117	W1502-63	W1502-63	W1502-117

**Model: 814NT FOLDING**

Size	# 1	# 2	# 3	# 4	# 5	# 6	# 7	# 8
24	W1502-63	W1502-74	W1502-74	W1502-63	W1502-84	W1502-63	W1502-63	W1502-84
26	W1502-74	W1502-74	W1502-74	W1502-74	W1502-95	W1502-63	W1502-63	W1502-95
30	W1502-85	W1502-85	W1502-85	W1502-85	W1502-117	W1502-63	W1502-63	W1502-117

# 842N/812N NON-FOLDING GANGSHAFT



SIZE ACCORDING TO SERIAL  
NUMBER

S/N - \_\_\_\_\_ □□ <-- see note below

□□ = SIZE (EX: 22 - 22FT)

Ex. S/N: 115091122

NOTE: SOME DISCS HAVE FEWER GANGS.

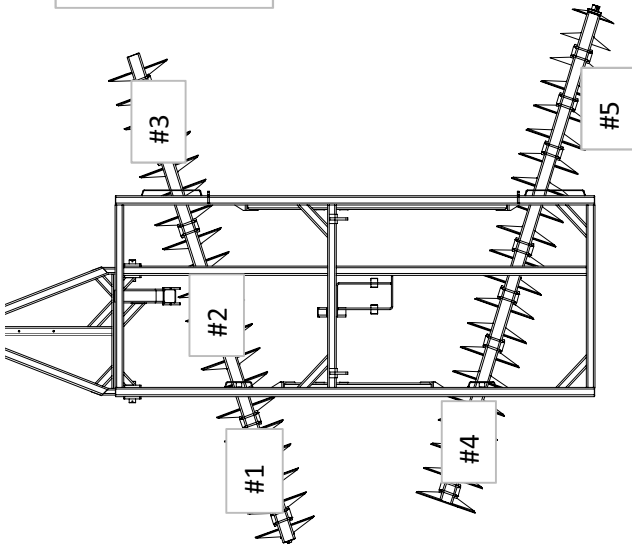
**Model: 842N NON-FOLDING**

Size	#1	#2	#3	#4	#5
10	W1502-63	---	W1502-63	W1502-63	W1502-73
12	W1502-74	---	W1502-74	W1502-74	W1502-84
14	W1502-52	W1502-63	W1502-52	W1502-85	W1502-95
16	W1502-63	W1502-63	W1502-63	W1502-96	W1502-106
18	W1502-74	W1502-63	W1502-74	W1502-107	W1502-117

**Model: 812N NON-FOLDING**

Size	#1	#2	#3	#4	#5
10	W1502-63	---	W1502-63	W1502-52	W1502-84
12	W1502-63	---	W1502-85	W1502-52	W1502-106
14	W1502-85	---	W1502-85	W1502-85	W1502-95
16	W1502-96	---	W1502-96	W1502-96	W1502-106
18	W1502-107	---	W1502-107	W1502-107	W1502-117

# 862N NON-FOLDING GANGSHAFT



SIZE ACCORDING TO SERIAL  
NUMBER

S/N - ----- □□ <-- see note below

□□ = SIZE (EX: 22 - 22FT)

Ex. S/N: 115091122

NOTE: SOME DISCS HAVE FEWER GANGS.

**Model: 862N NON-FOLDING**

Size	# 1	# 2	# 3	# 4	# 5
12	W1502-73	---	W1502-73	W1502-73	W1502-84
14	W1502-47	W1502-60	W1502-60	W1502-86	W1502-97
16	W1502-60	W1502-60	W1502-73	W1502-99	W1502-110
18	W1502-72	W1502-59	W1502-85	W1502-112	W1502-123

# GANG SHAFTS

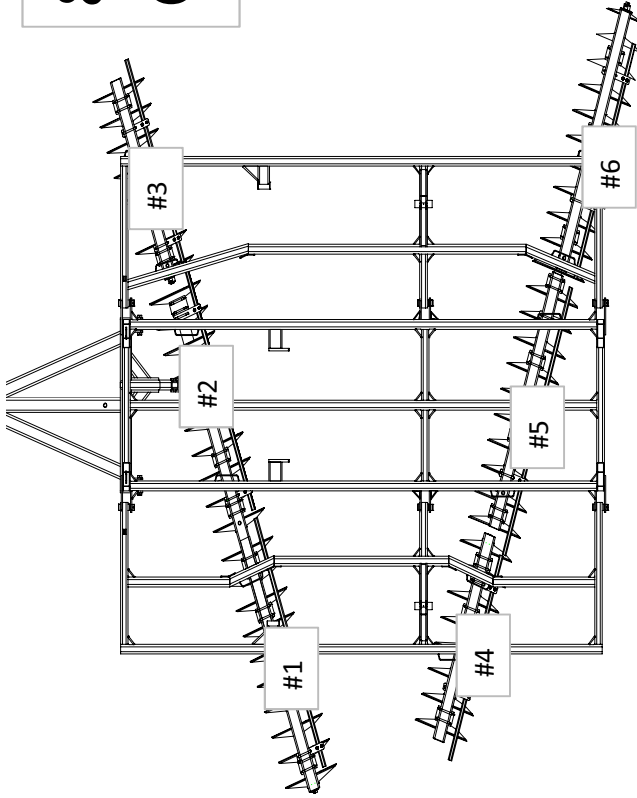
## 812N FOLDING GANGSHAFT

SIZE ACCORDING TO SERIAL  
NUMBER

S/N - ---- □□ <-- see note below

□□ = SIZE (EX: 22 - 22FT)

Ex. S/N: 115091122

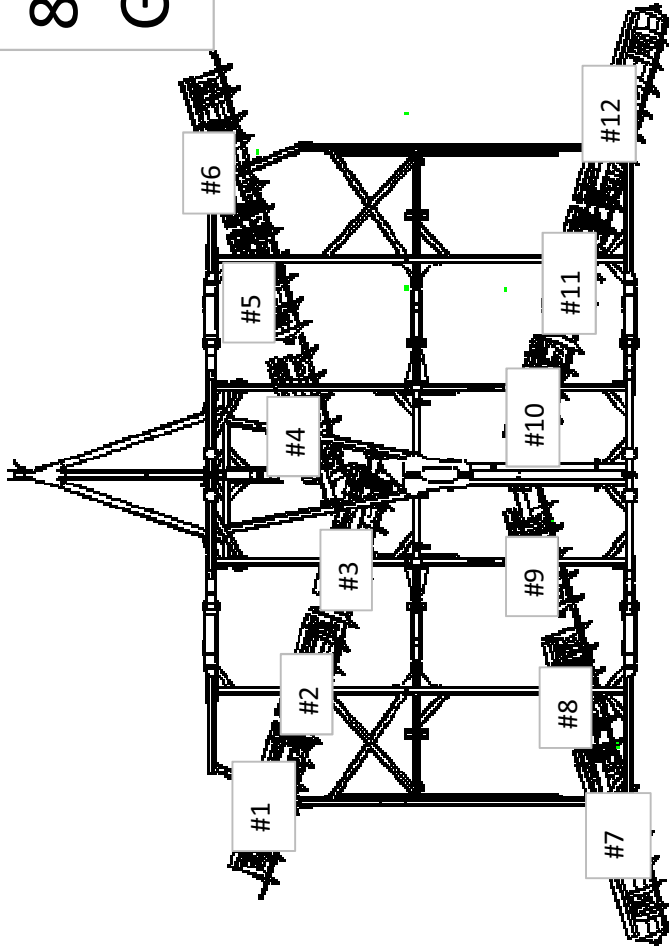


Model: 812N FOLDING

Size	#1	#2	#3	#4	#5	#6
22	W1502-85	W1502-107	W1502-63	W1502-63	W1502-118	W1502-84
24	W1502-96	W1502-107	W1502-74	W1502-74	W1502-118	W1502-95
26	W1502-107	W1502-107	W1502-85	W1502-85	W1502-118	W1502-106



# 862LNT/842LNT FOLDING - GANGSHAFT



SIZE ACCORDING TO SERIAL  
NUMBER

S/N - ----- □□ <-- see note below

□□ = SIZE (EX: 22 - 22FT)

Ex. S/N: 115091122

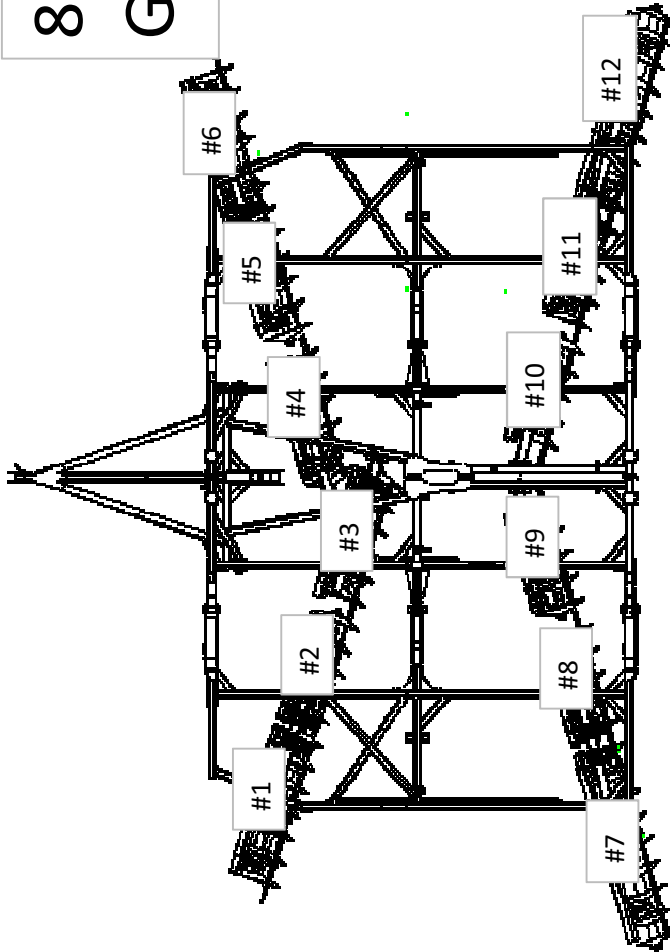
## Model: 862LNT FOLDING

Size	#1	#2	#3	#4	#5	#6	#7	#8	#9	#10	#11	#12
34	W1502-60	W1502-60	W1502-73	W1502-73	W1502-60	W1502-60	W1502-84	W1502-60	W1502-60	W1502-60	W1502-60	W1502-84
38	W1502-73	W1502-73	W1502-73	W1502-73	W1502-73	W1502-73	W1502-110	W1502-60	W1502-60	W1502-60	W1502-60	W1502-110

## Model: 842LNT FOLDING

Size	#1	#2	#3	#4	#5	#6	#7	#8	#9	#10	#11	#12
34	W1502-52	W1502-63	W1502-74	W1502-74	W1502-63	W1502-52	W1502-73	W1502-63	W1502-63	W1502-63	W1502-63	W1502-73
38	W1502-74	W1502-74	W1502-74	W1502-74	W1502-74	W1502-74	W1502-106	W1502-63	W1502-63	W1502-63	W1502-63	W1502-106

# 816LNT/814LNT FOLDING - GANGSHAFT



SIZE ACCORDING TO SERIAL  
NUMBER

S/N - ----- □□ <-- see note below

□□ = SIZE (EX: 22 - 22FT)

Ex. S/N: 115091122

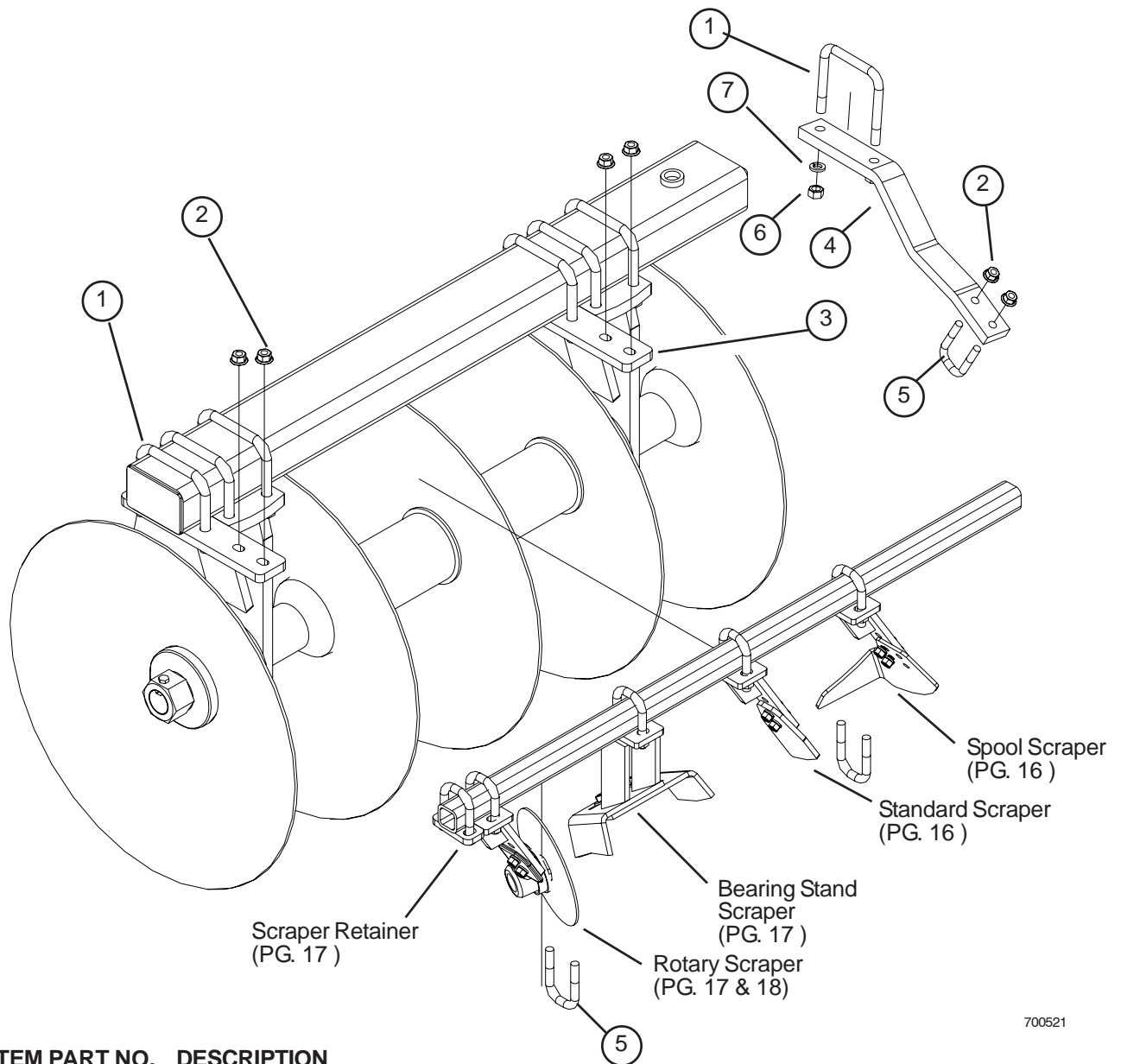
**Model: 816LNT FOLDING**

Size	#1	#2	#3	#4	#5	#6	#7	#8	#9	#10	#11	#12
34	W1502-60	W1502-47	W1502-86	W1502-86	W1502-86	W1502-47	W1502-60	W1502-84	W1502-60	W1502-60	W1502-60	W1502-84
38	W1502-73	W1502-60	W1502-86	W1502-86	W1502-60	W1502-73	W1502-110	W1502-60	W1502-60	W1502-60	W1502-60	W1502-110

**Model: 814LNT FOLDING**

Size	#1	#2	#3	#4	#5	#6	#7	#8	#9	#10	#11	#12
34	W1502-52	W1502-52	W1502-85	W1502-85	W1502-52	W1502-52	W1502-73	W1502-63	W1502-63	W1502-63	W1502-63	W1502-73
38	W1502-74	W1502-63	W1502-85	W1502-85	W1502-63	W1502-74	W1502-106	W1502-63	W1502-63	W1502-63	W1502-63	W1502-106

# BLADE SCRAPERS



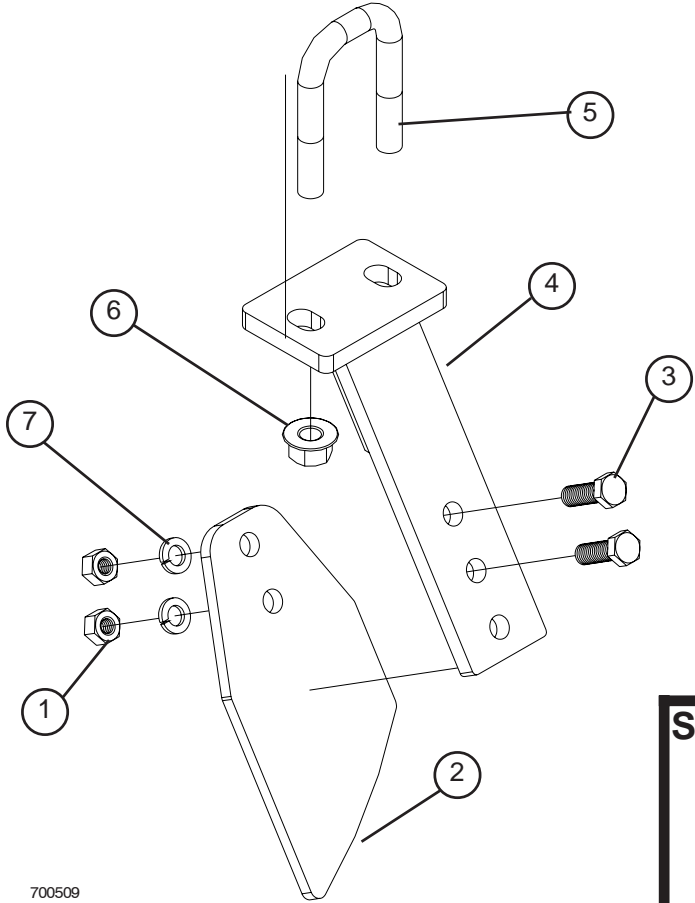
700521

ITEM	PART NO.	DESCRIPTION
1	1702	U-BOLT 3/4" X 6" X 6"
2	108149	5/8NC FLANGE NUT
3	NON -ROCK FLEX	
	109094	SCRAPER BAR BRACKET - 24"-26" BLADES
	109066	SCRAPER BAR BRACKET - 28"-30" BLADES
4	ROCK-FLEX	
	104155	SCRAPER BAR BRACKET - 24" BLADES
	104788	SCRAPER BAR BRACKET - 26" BLADES
	103608	SCRAPER BAR BRACKET - 28" BLADES
	107183	SCRAPER BAR BRACKET - 30" BLADES
5	106084	U-CLAMP - 5/8" X 2" X 3-7/8"
6	1213	3/4NC NUT
7	1212	3/4 LOCK WASHER

**NOTE:** Scraper designation (left or right) refers to direction dirt is thrown from gang blades. Gang illustration above has all left hand scrapers

# BLADE SCRAPERS

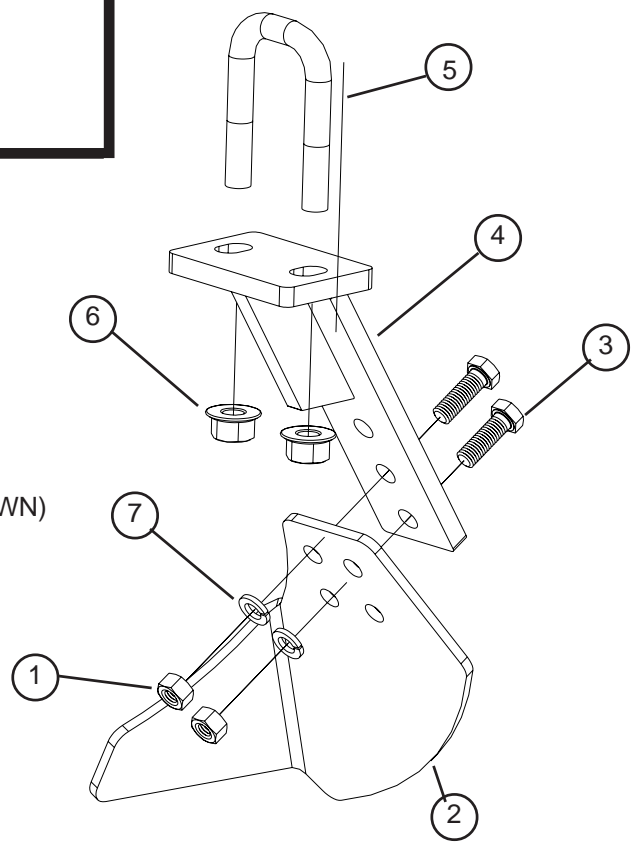
## Standard Scraper



ITEM	PART NO.	DESCRIPTION
	105440	COMPLETE ASSEMBLY
1	1216	NUT - 1/2"
2	105216	STANDARD SCRAPER - 3/8
3	1219	BOLT - 1/2" X 1-1/2"
4	105304	SCRAPER MOUNT
5	106084	U-CLAMP 5/8" X 2" X 3-7/8"
6	108149	FLANGE NUT - 5/8"NC
7	1217	LOCK WASHER - 1/2"

700509

## Spool Scraper



ITEM	PART NO.	DESCRIPTION
	109402	COMPLETE ASSY - LH
	109403	COMPLETE ASSY - RH
1	1216	NUT - 1/2"
2	106471	SPOOL SCRAPER - LH (SHOWN)
	106472	SPOOL SCRAPER - RH
3	1219	BOLT - 1/2" X 1-1/2"
4	105304	SCRAPER MOUNT
5	106084	U-CLAMP 5/8" X 2" X 3-7/8"
6	108149	FLANGE NUT - 5/8"NC
7	1217	LOCK WASHER - 1/2"

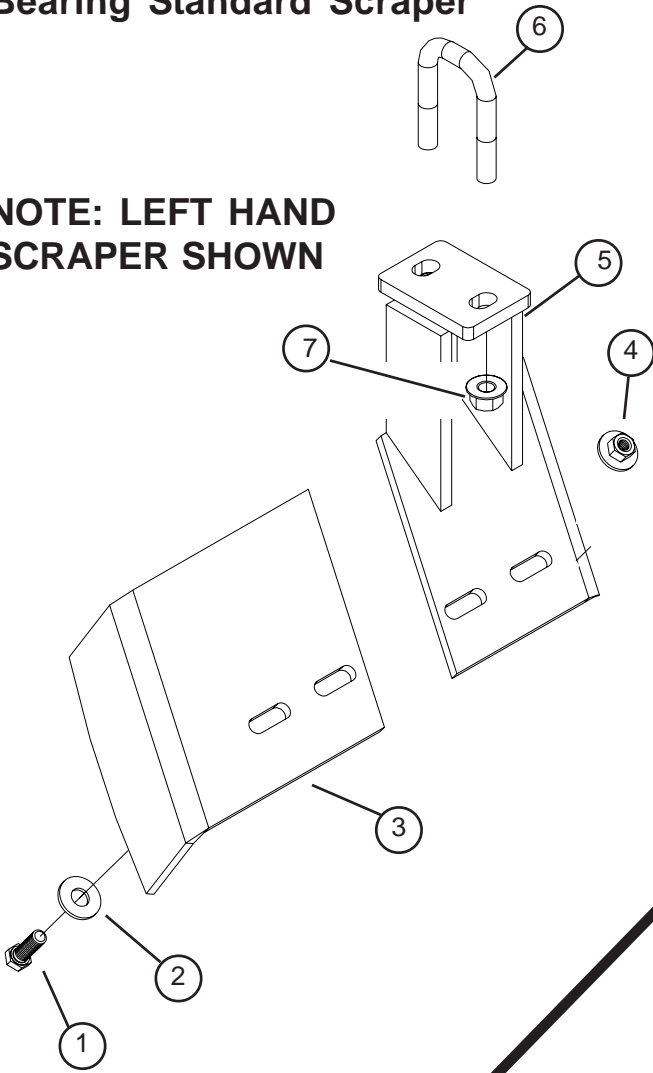
**NOTE: LEFT HAND SCRAPER SHOWN**

700524

# BLADE SCRAPERS

## Bearing Standard Scraper

**NOTE: LEFT HAND  
SCRAPER SHOWN**

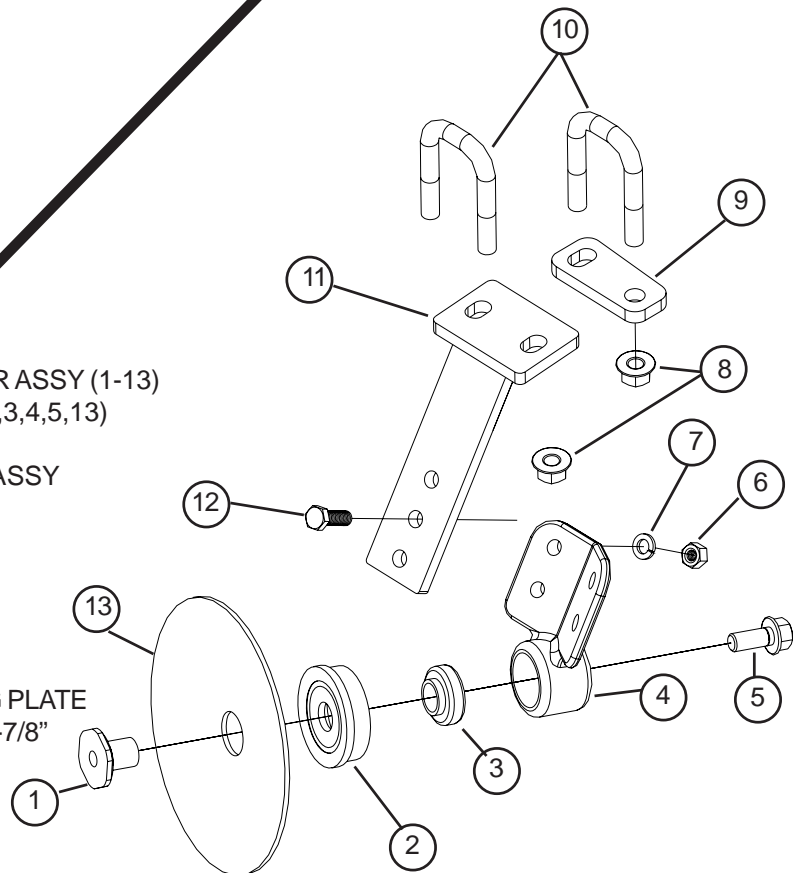


ITEM	PART NO.	DESCRIPTION
	107715	COMPLETE SCRAPER 13" - LH
	107716	COMPLETE SCRAPER 13" - RH
	105920	COMPLETE SCRAPER 11" - LH
	105917	COMPLETE SCRAPER 11" - RH
	107199	COMPLETE SCRAPER 10" - LH
	107200	COMPLETE SCRAPER 10" - RH
1	1219	BOLT - 1/2" X 1-1/2"
2	107208	FLAT WASHER - 1/2"
3	107713	ADJUST PLATE - RIGHT 13"
	105916	ADJUST PLATE - RIGHT 10"/11"
	107714	ADJUST PLATE - LEFT 13"
	107196	ADJUST PLATE - LEFT 10"/11"
4	2084	FLANGE NUT - 1/2"NC
5	105918	RIGHT HAND WELD - 11"/13"
	107198	RIGHT HAND WELD - 10"
	105919	LEFT HAND WELD - 11"/13"
	107197	LEFT HAND WELD - 10"
6	106084	U-CLAMP 5/8" X 2" X 3-7/8"
7	108149	FLANGE NUT - 5/8"NC

700522

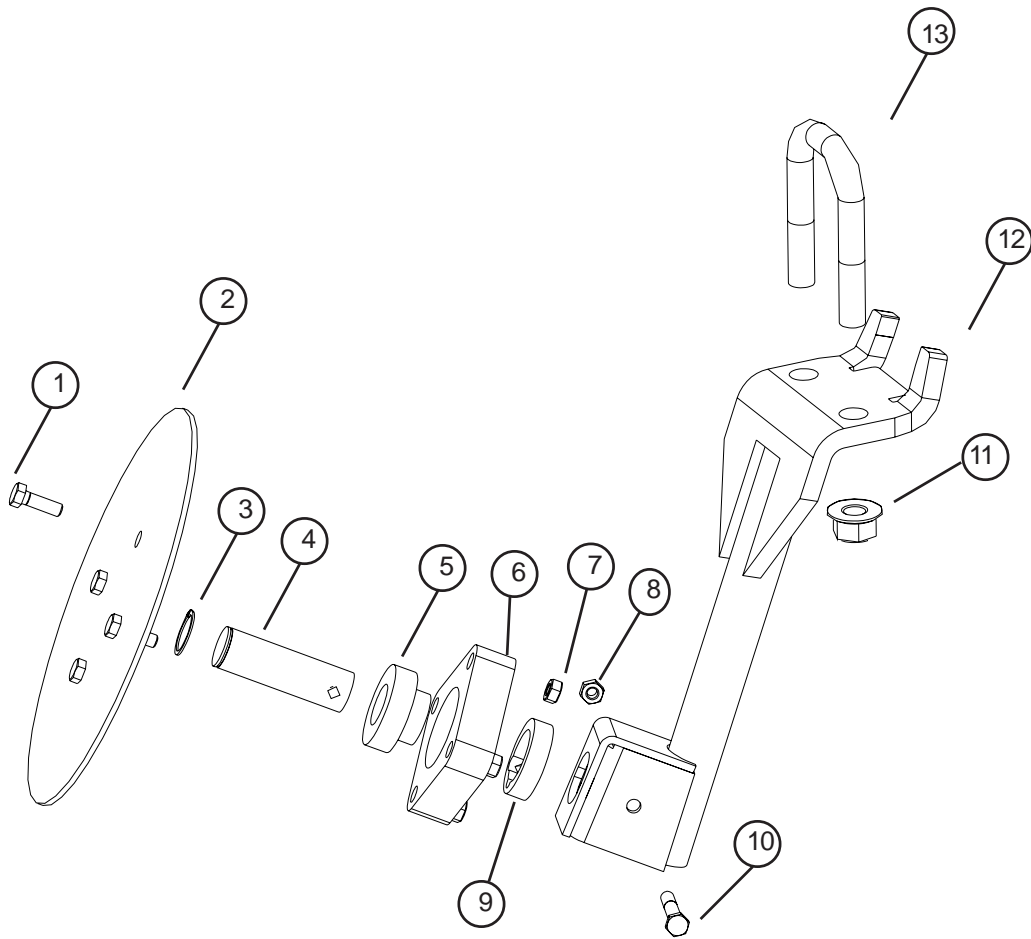
## Rotary Scraper

ITEM	PART NO.	DESCRIPTION
	108062	COMPLETE SCRAPER ASSY (1-13)
	109412	SUBASSY - (INCL. 1,2,3,4,5,13)
1	107155	NUT - SCRAPER
2	108066	SCRAPER WASHER ASSY
3	7095	BEARING
4	108294	BEARING MOUNT
5	108045	5/8" X 1-1/2" GR 8
6	1216	NUT- 1/2"NC
7	1217	LOCK WASHER - 1/2"
8	108149	FLANGE NUT - 5/8"NC
9	108701	SCRAPER RETAINING PLATE
10	106084	U-CLAMP 5/8" X 2" X 3-7/8"
11	105304	SCRAPER MOUNT
12	1219	BOLT - 1/2" X 1-1/2"
13	104322	DISC



700523

# ROTARY SCRAPER

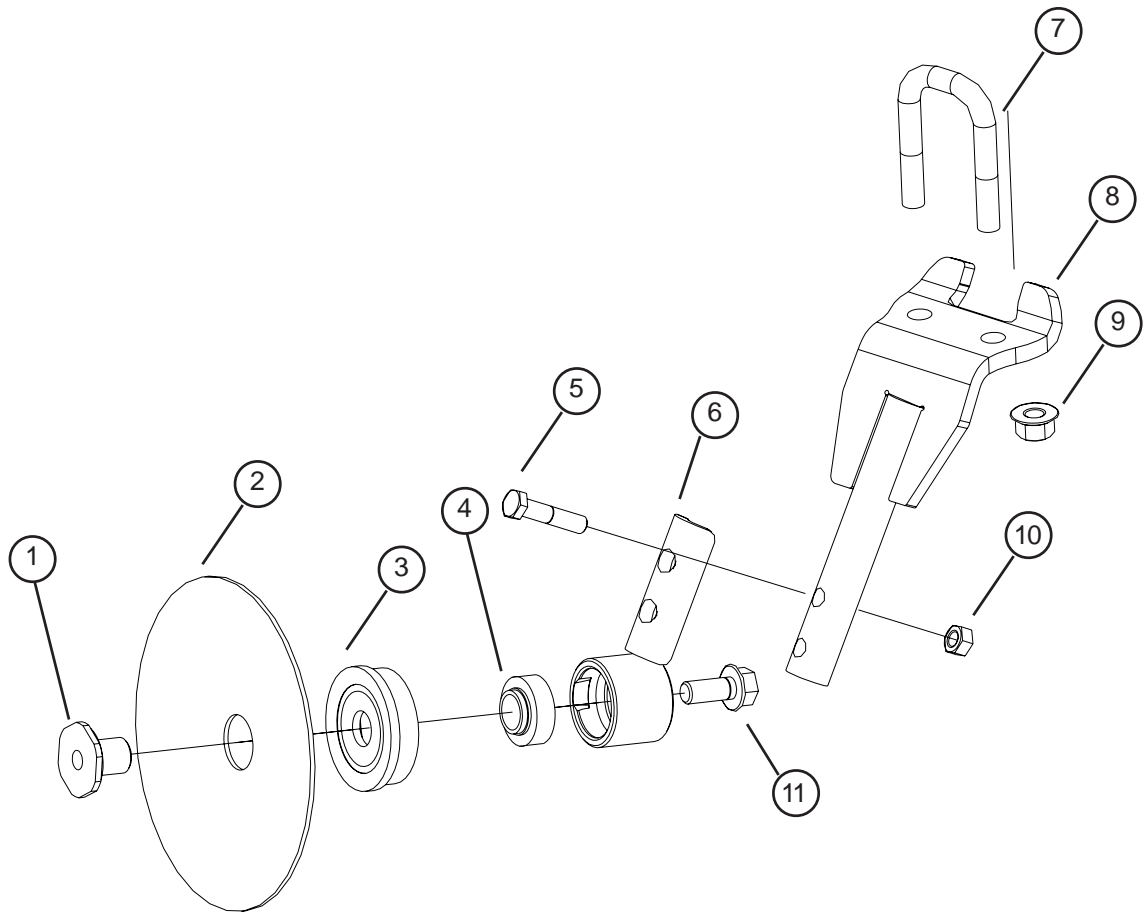


700638

ITEM	PART NO.	DESCRIPTION
1	88478	BOLT - 3/8" X 1"
2	246581	10IN SCRAPER BLADE
3	246577	SNAP RING - 1"
4	246584	SHAFT 1" X 3.25"
5	246586	1" ID BEARING
6	246578	BEARING HOUSING
7	88162	LOCK NUT - 3/8"NC
8	88540	LOCK NUT - 5/16"NC
9	246913	1" BEARING PROTECTOR
10	88544	BOLT - 5/16" X 2"
11	108149	FLANGE NUT - 5/8"NC
12	246587	RIGHT - ROTARY SCRAPER ARM
	246588	LEFT - ROTARY SCRAPER ARM (SHOWN)
13	106084	U-CLAMP 5/8" X 2" X 3-7/8"

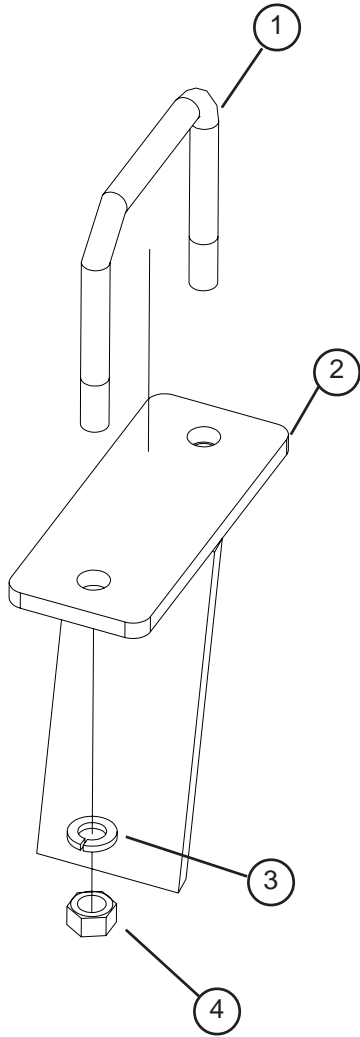
**NOTE: LEFT OR RIGHT  
HAND DESIGNATION  
BY LETTER ON TOP  
PLATE.**

# ROTARY SCRAPER



ITEM	PART NO.	DESCRIPTION
	352768	LH COMPLETE SCRAPER ASSY (1-11)
	352769	RH COMPLETE SCRAPER ASSY (1-11)
1	107155	NUT - SCRAPER
2	104322	DISC
3	108066	SCRAPER WASHER ASSY
4	7095	BEARING
5	89578	PLW BOLT - 1/2" X 2-1/4" GR5 (CAST HOUSING)
	88825	BOLT - 1/2" X 2-1/4" 5Z (STEEL HOUSING)
6	352979	BEARING HOUSING - CAST
7	106084	U-CLAMP 5/8" X 2" X 3-7/8"
8	109879	SCRAPER ARM - LH
	109880	SCRAPER ARM - RH
9	108149	FLANGE NUT - 5/8"NC
10	1216	NUT- 1/2"NC
11	108045	5/8" X 1-1/2" GR 8

# MUD SCRAPER

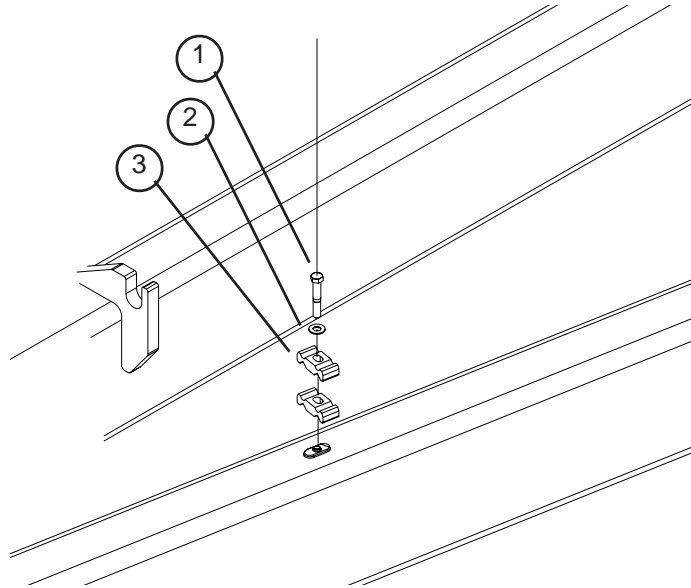


700593

ITEM	PART NO.	DESCRIPTION
	109406	COMPLETE MUD SCRAPER RH 24"/26"
	109407	COMPLETE MUD SCRAPER LH 24"/26"
	109408	COMPLETE MUD SCRAPER RH 28"/30"
	109409	COMPLETE MUD SCRAPER LH 28"/30"
1	1702	U-CLAMP 3/4" X 6 X 6
2	1993	MUD SCRAPER - RH 24"/26" BLADES
	108031	MUD SCRAPER - RH 28"/30" BLADES
	108032	MUD SCRAPER - LH 24"/26" BLADES
	108033	MUD SCRAPER - LH 28"/30" BLADES
3	1212	LOCKWASHER - 3/4"
4	1213	NUT - 3/4"NC

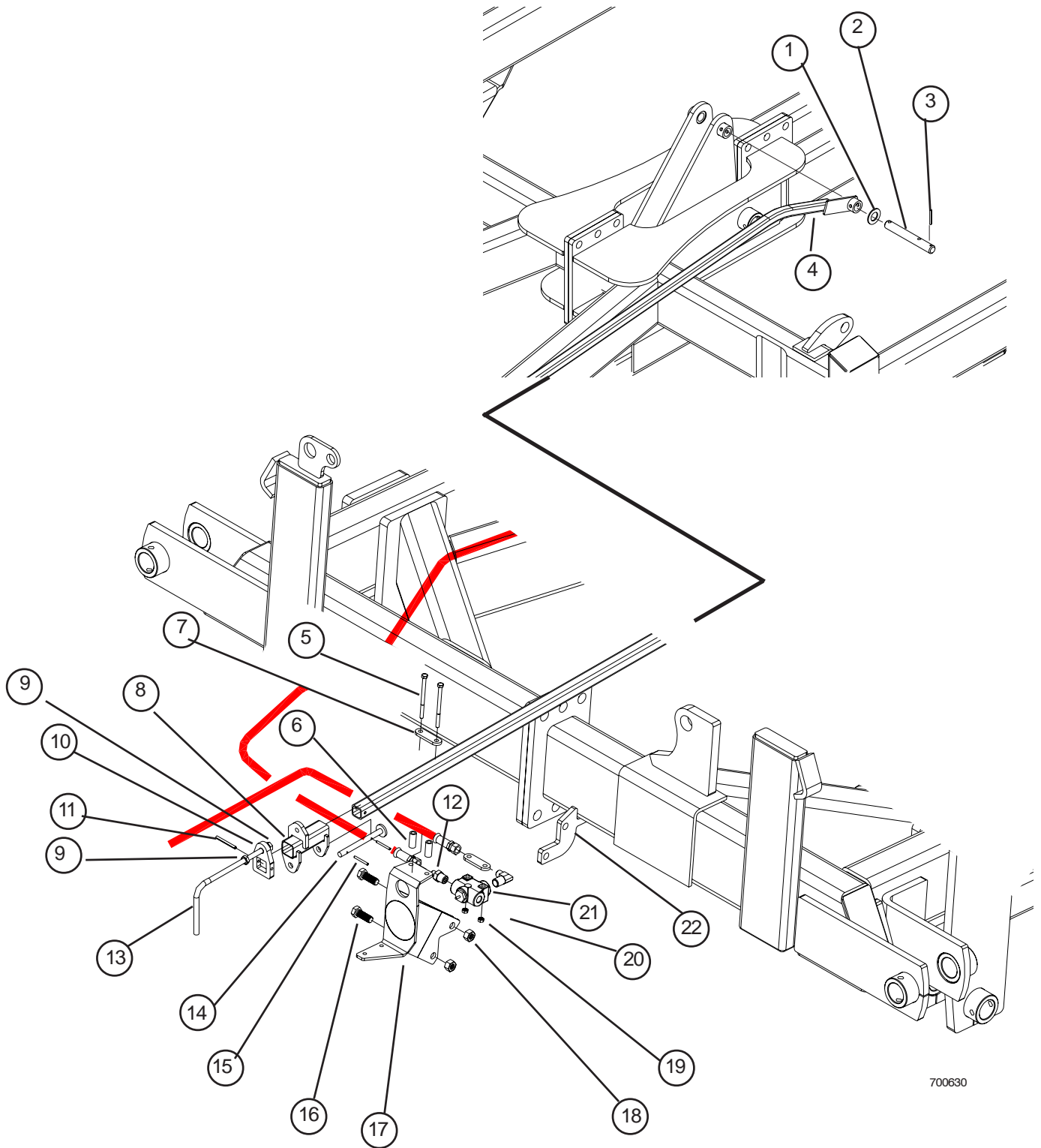


# HYDRAULIC HOSE CLAMPS



ITEM	PART NO.	DESCRIPTION
1	88555	3/8 X 1-1/4 GR5 (1 HOSE)
	89012	3/8 X2-1/2 GR5 (2 HOSES)
2	88282	3/8 WASHER
3	105784	HOSE CLAMP

# SINGLE POINT DEPTH CONTROL

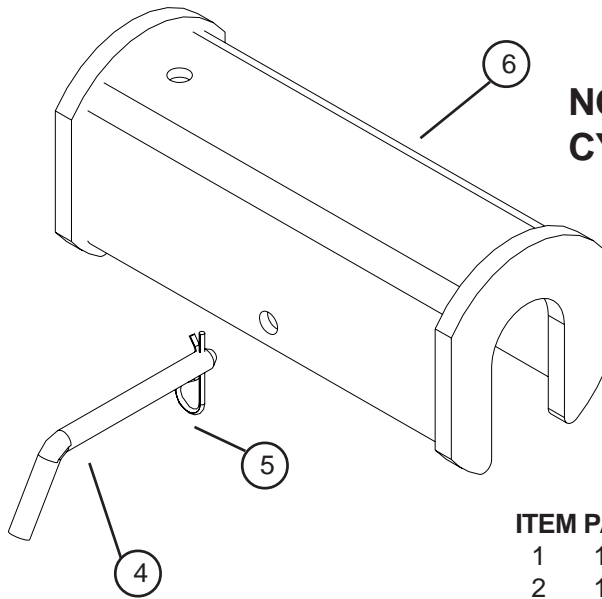


700630

## SINGLE POINT DEPTH CONTROL, CONTINUED

ITEM	PART NO.	DESCRIPTION
1	88397	1-1/8" FLAT WASHER
2	109783	PIN - 1-1/8" X 15"
3	42484	1/4" X 2-1/4" ROLL PIN
4	109780	BENT TUBE
5	88812	5/16" x 4-1/2" BOLT
6	238637	SPACER TUBE
7	238636	VALVE SPACER
8	222111	SLIDE ADJUST
9	88621	1/2" JAM NUT
10	222107	ADJUST EAR
11	88767	1/4" X 2-1/2" ROLL PIN
12	24024	ADPT 8MORB X 8MJ
	13234	ADPT 8MJ X 8MPT
13	222182	ADJUST CRANK
14	222180	SPRING PIN
15	89078	3/16" X 1-3/4" ROLL PIN
16	88838	BOLT - 5/8"NC X 1-3/4"
17	238638	SINGLE POINT BRACKET
18	88369	LOCK NUT 5/8" NC
19	88540	LOCK NUT 5/16" NC
20	24698	ELBOW - 6MJ X 8MPT
	13236	ELBOW - 8MJ X 8MPT
	25580	ELBOW - 8MORB X 8MJ
21	51975	SP DCV ASSY - PIPE FTNGS
	88296	1/2 NPT PLUG
	55836	REPAIR KIT
	356732	SP DCV ASSY - ORB FTNGS
	352359	8MORB HEX HEAD PLUG
22	244656	FRAME PLATE

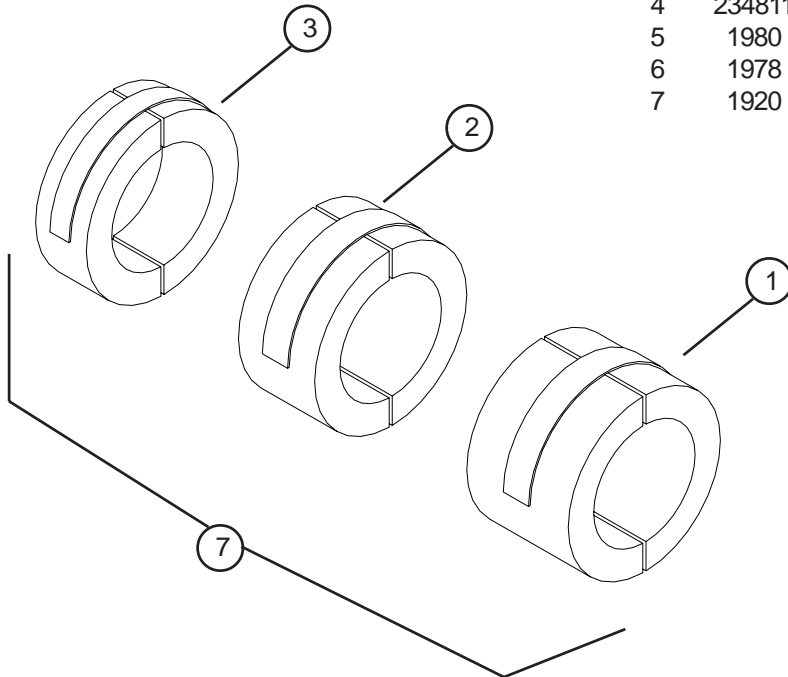
# DEPTH CONTROL AND TRANSPORT LOCKS



**NOTE: DESIGNED FOR 2 INCH  
CYLINDER ROD**

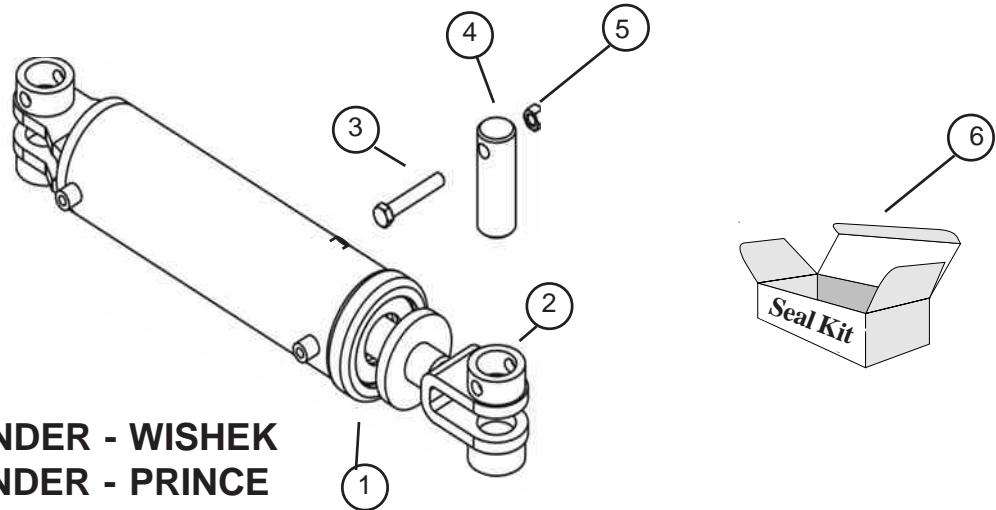
700634

ITEM	PART NO.	DESCRIPTION
1	108340	2" DEPTH CONTROL SEGMENT
2	105997	1-1/2" DEPTH CONTROL SEGMENT
3	105996	1" DEPTH CONTROL SEGMENT
4	234811	PIN - 1/2" X 4-3/4"
5	1980	HAIR PIN CLIP
6	1978	TRANSPORT LOCK BRACKET
7	1920	COMPLETE DEPTH CONTROL KIT



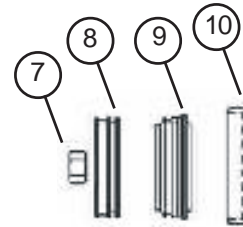
700635

# 4-1/2 X 12 REPHASING CYLINDER - 20FT & LARGER

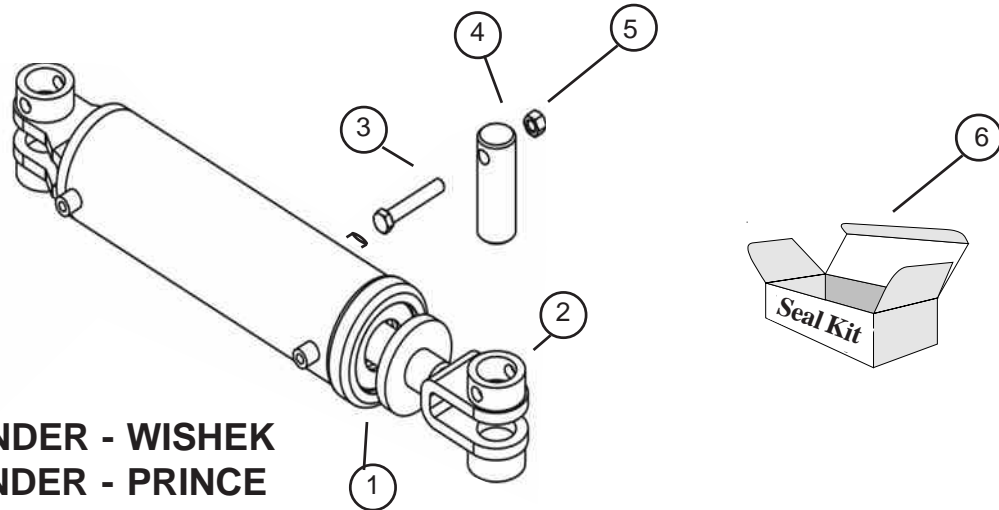


**NOTE:**  
**GREEN CYLINDER - WISHEK**  
**BLACK CYLINDER - PRINCE**

ITEM	PART NO.	DESCRIPTION
1	104941	COMPLETE CYLINDER 4-1/2" X 12"
2	108614	PISTON ROD - PRINCE
3	104947	BOLT - 1/2"NC X 3"
4	104654	PIN - 1-1/2" X 4-1/4"
5	104946	LOCKNUT 1/2"NC
6	104097	SEAL KIT - 4-1/2" PHASING - WISHEK
	108338	SEAL KIT - 4-1/2" PHASING - PRINCE
7	1904	SHAFT LOCK NUT - 1-14NF- WISHEK
	108613	SHAFT LOCK NUT - 1-1/4-12NF- PRINCE
8	103246	4-1/2" PISTON - WISHEK
	108610	4-1/2" PISTON - PRINCE
9	103245	4-1/2" HEADGLAND - WISHEK
	108611	4-1/2" HEADGLAND - PRINCE
10	103255	4-1/2" CYLINDER NUT - WISHEK
	108612	4-1/2" CYLINDER NUT - PRINCE
--	108676	1" TO 1.5" CYLINDER PIN UPDATE KIT

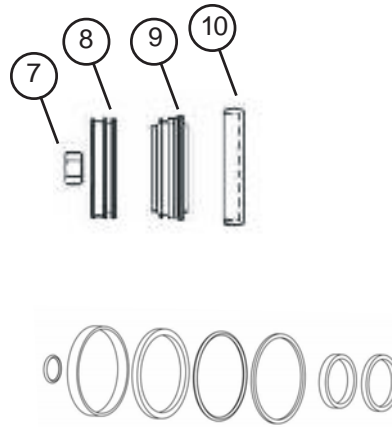


# 4 X 12 REPHASING CYLINDER - 18FT & SMALLER WINGED MODELS

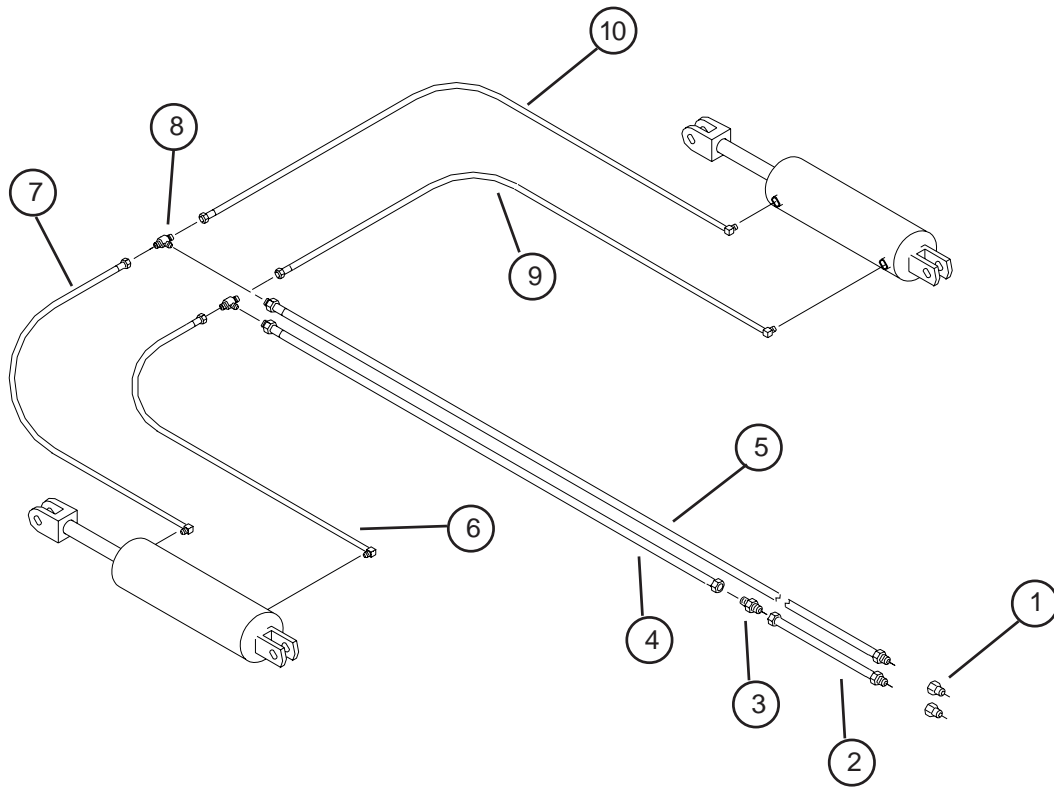


**NOTE:**  
**GREEN CYLINDER - WISHEK**  
**BLACK CYLINDER - PRINCE**

ITEM	PART NO.	DESCRIPTION
1	104940	COMPLETE CYLINDER 4" X 12"
2	108614	PISTON ROD - PRINCE
3	104947	BOLT - 1/2"NC X 3"
4	104654	PIN - 1-1/2" X 4-1/4"
5	104946	LOCKNUT 1/2"NC
6	103218	SEAL KIT - 4" PHASING - WISHEK
	108337	SEAL KIT - 4" PHASING - PRINCE
7	1904	SHAFT LOCK NUT - 1-14NF - WISHEK
	108613	SHAFT LOCK NUT - 1-1/4-12NF- PRINC
8	103173	4" PISTON - WISHEK
	108616	4" PISTON - PRINCE
9	103224	4" HEADGLAND - WISHEK
	108617	4" HEADGLAND - PRINCE
10	1968	4" CYLINDER NUT - WISHEK
	108618	4" CYLINDER NUT - PRINCE
-	108676	1" TO 1.5" CYLINDER PIN UPDATE KIT

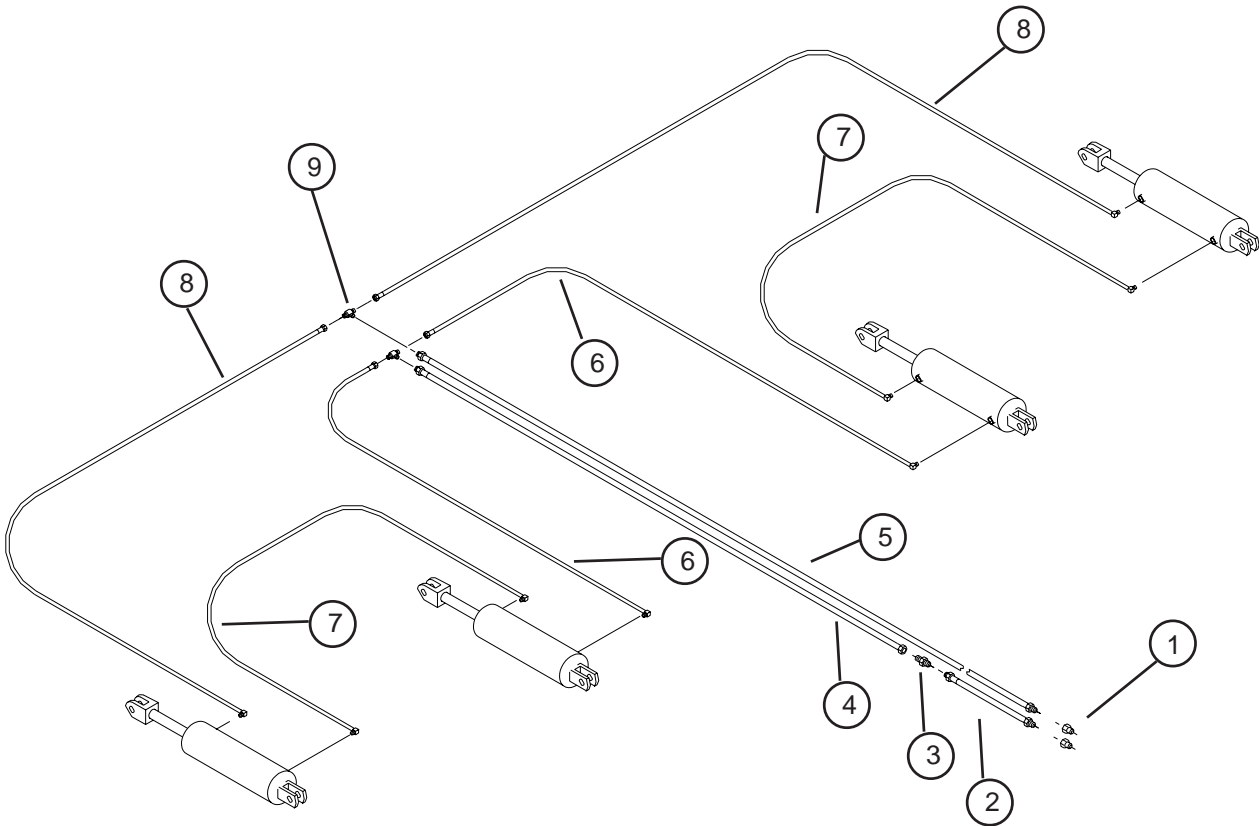


## HYDRAULICS - RAISE/LOWER HOSE (NON-FOLD)



ITEM	PART NO.	DESCRIPTION
1	60640	QUICK DISCONNECT COUPLER
2	350845	127" HOSE 8FJX-6FJX (TANDEM/OFFSET 14'-18')
3	13329	8MJX8MJ UNION
4	350846	127" HOSE 8FJX-8MP (TANDEM/OFFSET 14'-18')
5	350844	254" HOSE 6FJX-8MP (TANDEM/OFFSET 14'-18')
6	243774	42" HOSE 6FJX-8MBX90 (TANDEM 14'-18')
	350847	24" HOSE 6FJX-8MBX90 (OFFSET 14'-18')
7	350851	53" HOSE 6FJX-8MBX90 (TANDEM 14'-18')
	243774	42" HOSE 6FJX-8MBX90 (OFFSET 14'-18')
8	64346	TEE 6MJ (3)
9	243744	42" HOSE 6FJX-8MBX90 (TANDEM 14'-18')
	243773	48" HOSE 6FJX-8MBX90 (OFFSET 14'-18')
10	350851	53" HOSE 6FJX-8MBX90 (TANDEM 14'-18')
	350848	62" HOSE 6FJX-8MBX90 (OFFSET 14'-18')

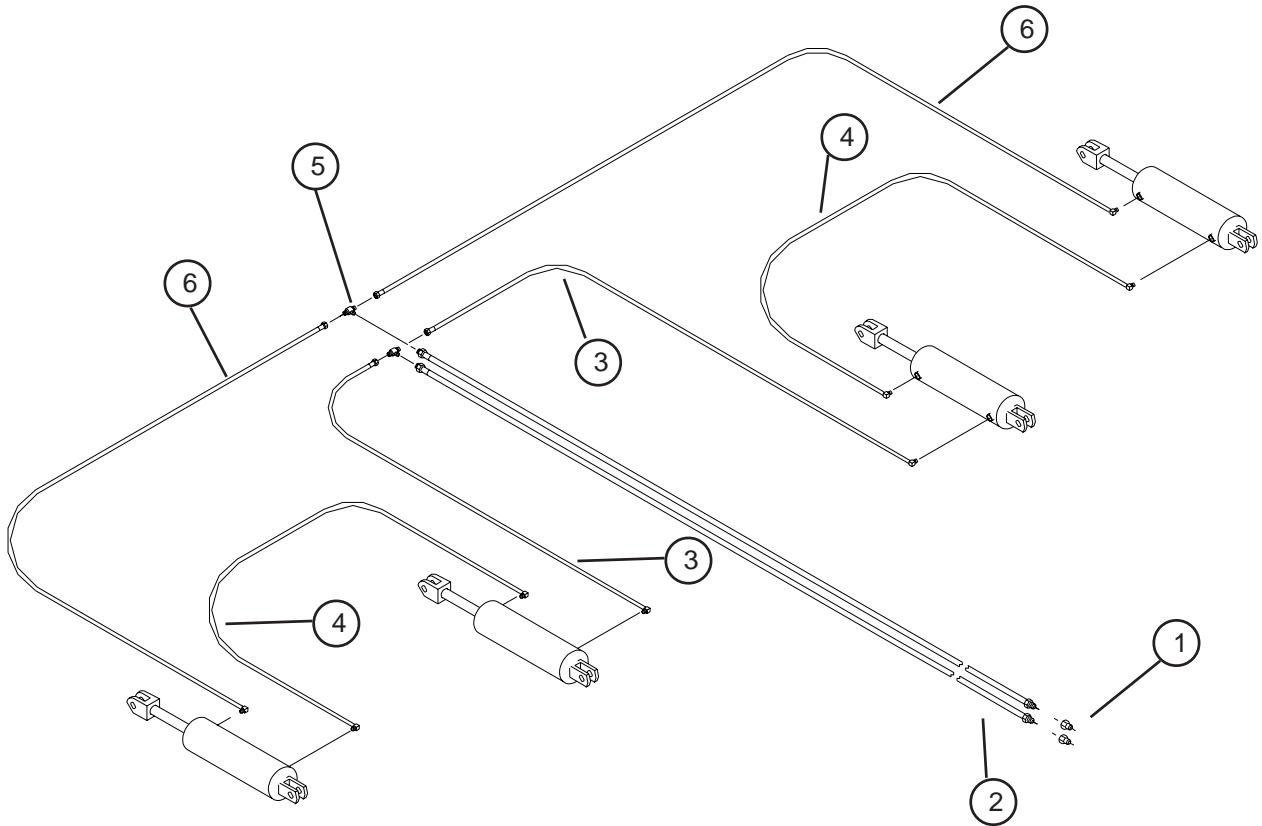
# HYDRAULICS - RAISE/LOWER HOSE (FOLDING TANDEM)



ITEM	PART NO.	DESCRIPTION
1	60640	QUICK DISCONNECT COUPLER
2	246551	168" HOSE 8FJX-8MP (ALL FOLDING TANDEM)
3	13329	8MJX8MJ UNION
4	246552	168" HOSE 6FJX-8FJX (ALL FOLDING TANDEM)
5	246553	336" HOSE 6FJX-8MP (ALL FOLDING TANDEM)
6	243774	42" HOSE 6FJX-8MBX90 (ALL FOLDING TANDEM)
7	243769	114" HOSE 8MBX90-8MBX90 (20'-24'-26' TANDEM)
	243777	137" HOSE 8MBX90-8MBX90 (30' TANDEM)
	350850	157" HOSE 8MBX90-8MBX90 (34'-38' TANDEM)
	350852	168" HOSE 8MBX90-8MBX90 (LNT TANDEM)
8	243766	148" HOSE 6FJX-8MBX90 (20'-24'-26' TANDEM)
	243771	156" HOSE 6FJX-8MBX90 (30' TANDEM)
	350849	194" HOSE 6FJX-8MBX90 (34'-38' AND LNT TANDEM)
9	64346	TEE 6MJ (3)

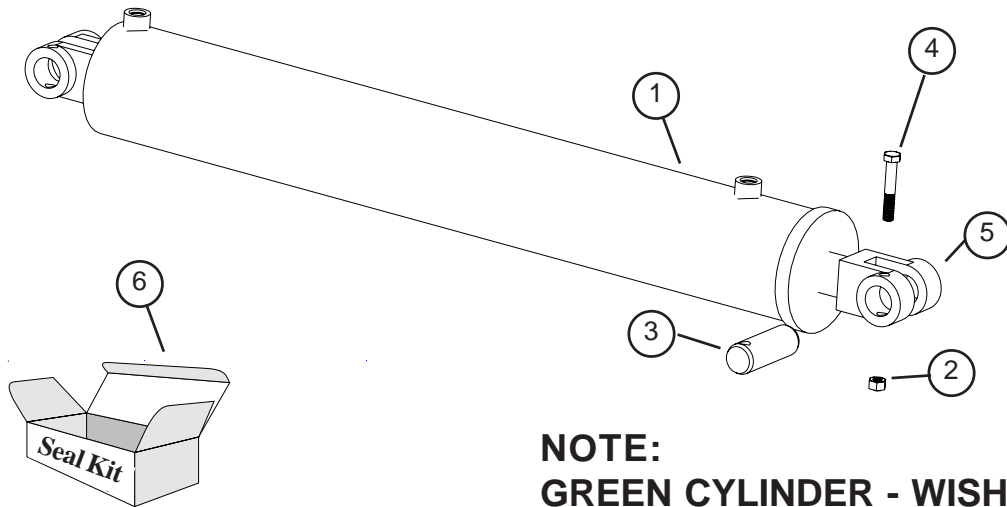


## HYDRAULICS - RAISE/LOWER HOSE (FOLDING OFFSET)



ITEM	PART NO.	DESCRIPTION
1	60640	QUICK DISCONNECT COUPLER
2	350855	168" HOSE 8FJX-8MP (ALL FOLDING OFFSET)
3	350858	34" HOSE 8MBX90-8MBX90 (ALL FOLDING OFFSET)
4	350857	65" HOSE 8MBX90-8MBX90(20/22FT)
	350861	71" HOSE 8MBX90-8MBX90 (24/26FT)
5	64346	TEE 6MJ (3)
6	350884	79" HOSE 8MBX90-8MBX90 (20/22FT)
	350860	91" HOSE 8MBX90-8MBX90 (24/26FT))

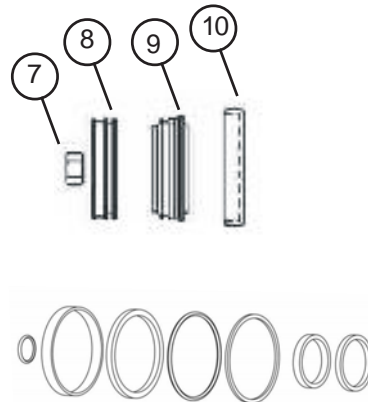
# 5 X 36 CYLINDER



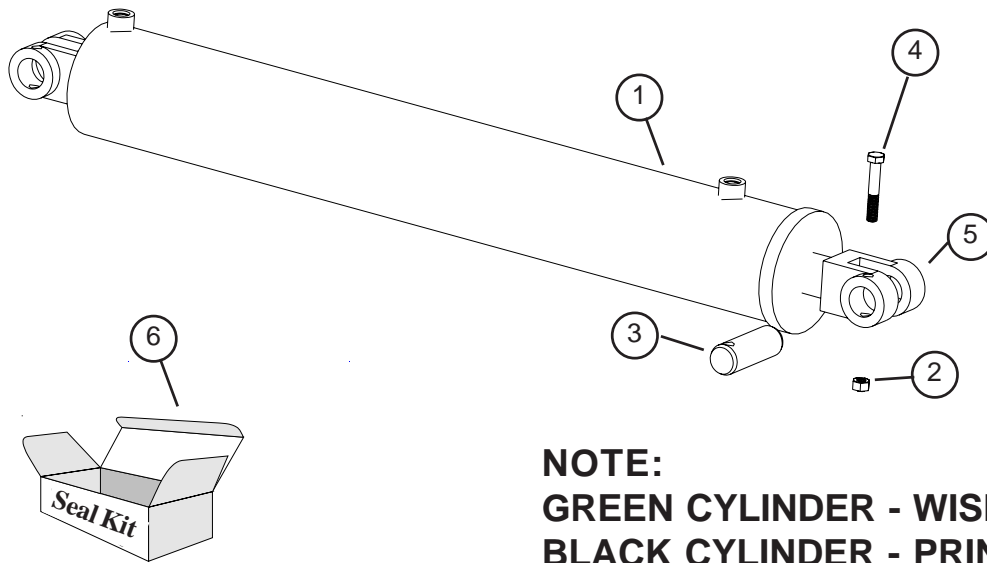
700644

**NOTE:**  
**GREEN CYLINDER - WISHEK**  
**BLACK CYLINDER - PRINCE**

ITEM	PART NO.	DESCRIPTION
1	106386	COMPLETE CYLINDER 5" X 36"
2	104946	LOCKNUT 1/2"NC
3	104654	PIN - 1-1/2" X 4-1/4"
4	104947	BOLT - 1/2"NC X 3"
5	108605	PISTON ROD - PRINCE
6	104625	SEAL KIT - 5" - WISHEK
	108339	SEAL KIT - 5" - PRINCE
7	107254	LOCKNUT 1-1/4-12 - WISHEK
	108606	LOCKNUT 1-3/4-12 - PRINCE
8	104583	5" PISTON - WISHEK
	108602	5" PISTON - PRINCE
9	104582	5" HEADGLAND - WISHEK
	108603	5" HEADGLAND - PRINCE
10	104584	5" CYLINDER NUT - WISHEK
	108604	5" CYLINDER NUT - PRINCE



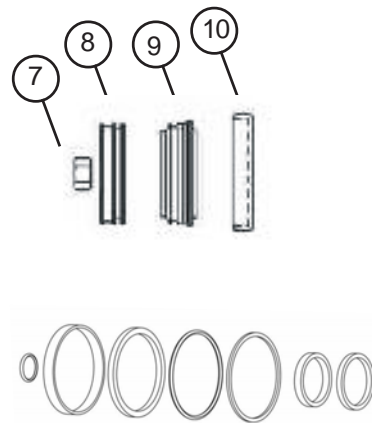
# 5 X 44 CYLINDER 20FT TO 26FT (2000 - 2008)



700644

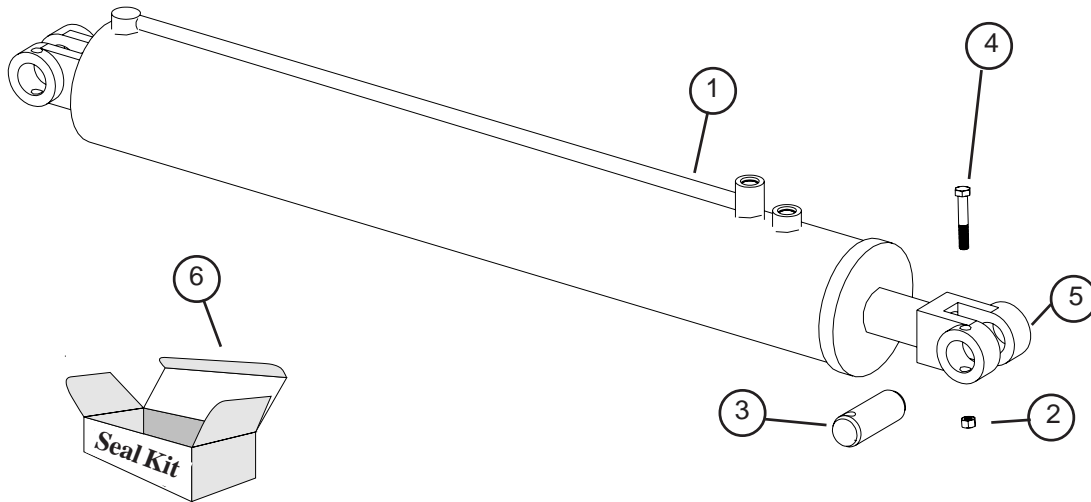
**NOTE:**  
**GREEN CYLINDER - WISHEK**  
**BLACK CYLINDER - PRINCE**

ITEM	PART NO.	DESCRIPTION
1	106174	COMPLETE CYLINDER 5" X 44"
2	104946	LOCKNUT 1/2"NC
3	104654	PIN - 1-1/2" X 4-1/4"
4	104947	BOLT - 1/2"NC X 3"
5	108600	PISTON ROD- PRINCE
6	104625	SEAL KIT - 5" - WISHEK
	108339	SEAL KIT - 5" - PRINCE
7	107254	LOCKNUT 1-1/4-12 - WISHEK
	108606	LOCKNUT 1-3/4-12 - PRINCE
8	104583	5" PISTON - WISHEK
	108602	5" PISTON - PRINCE
9	104582	5" HEADGLAND - WISHEK
	108603	5" HEADGLAND - PRINCE
10	104584	5" CYLINDER NUT - WISHEK
	108604	5" CYLINDER NUT - PRINCE



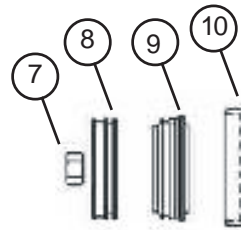
# 5 X 36 CYLINDER

## 34FT-38FT LNT (2008-2010 LOWERED WING HINGE)

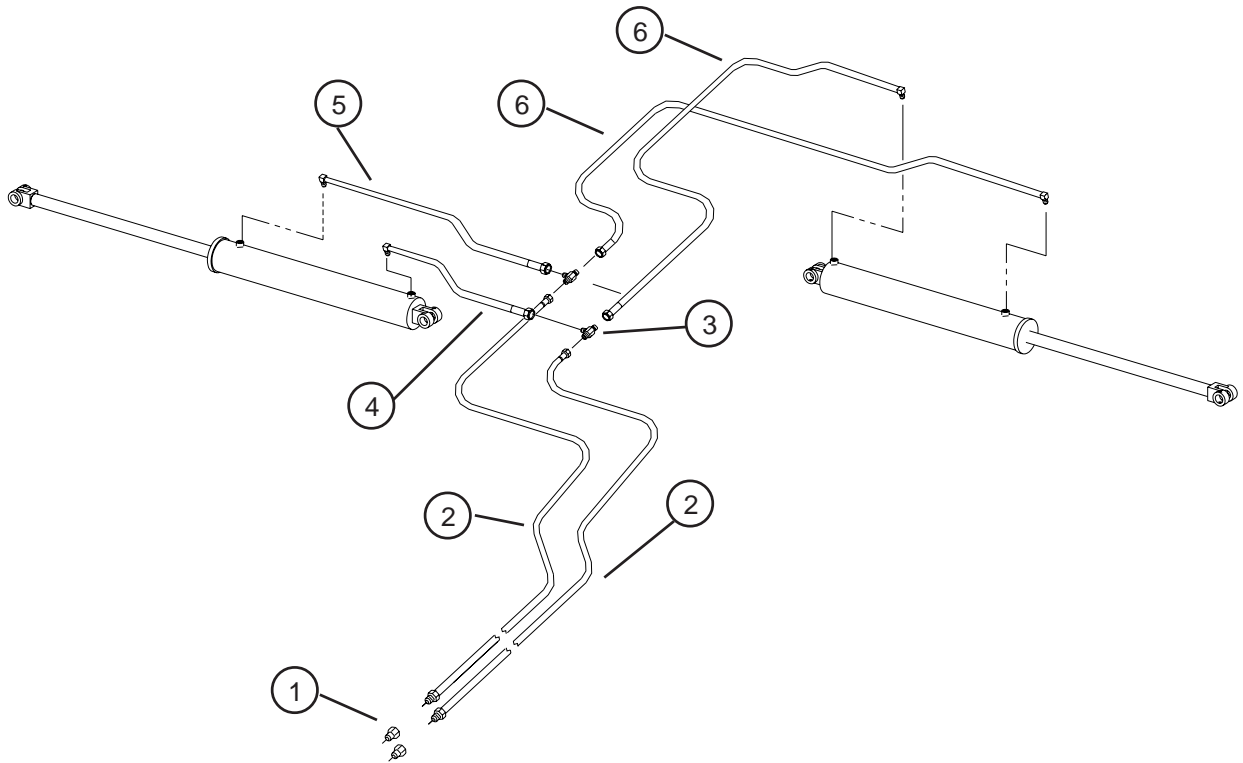


700643

ITEM	PART NO.	DESCRIPTION
1	245464	COMPLETE LNT CYLINDER 5" X 36"
2	104946	LOCKNUT 1/2"NC
3	104654	PIN - 1-1/2" X 4-1/4"
4	104947	BOLT - 1/2"NC X 3"
5	108605	PISTON ROD - PRINCE
6	108339	SEAL KIT - 5" - PRINCE
7	108606	LOCKNUT 1-3/4-12 - PRINCE
8	108602	5" PISTON - PRINCE
9	108603	5" HEADGLAND - PRINCE
10	108604	5" CYLINDER NUT - PRINCE

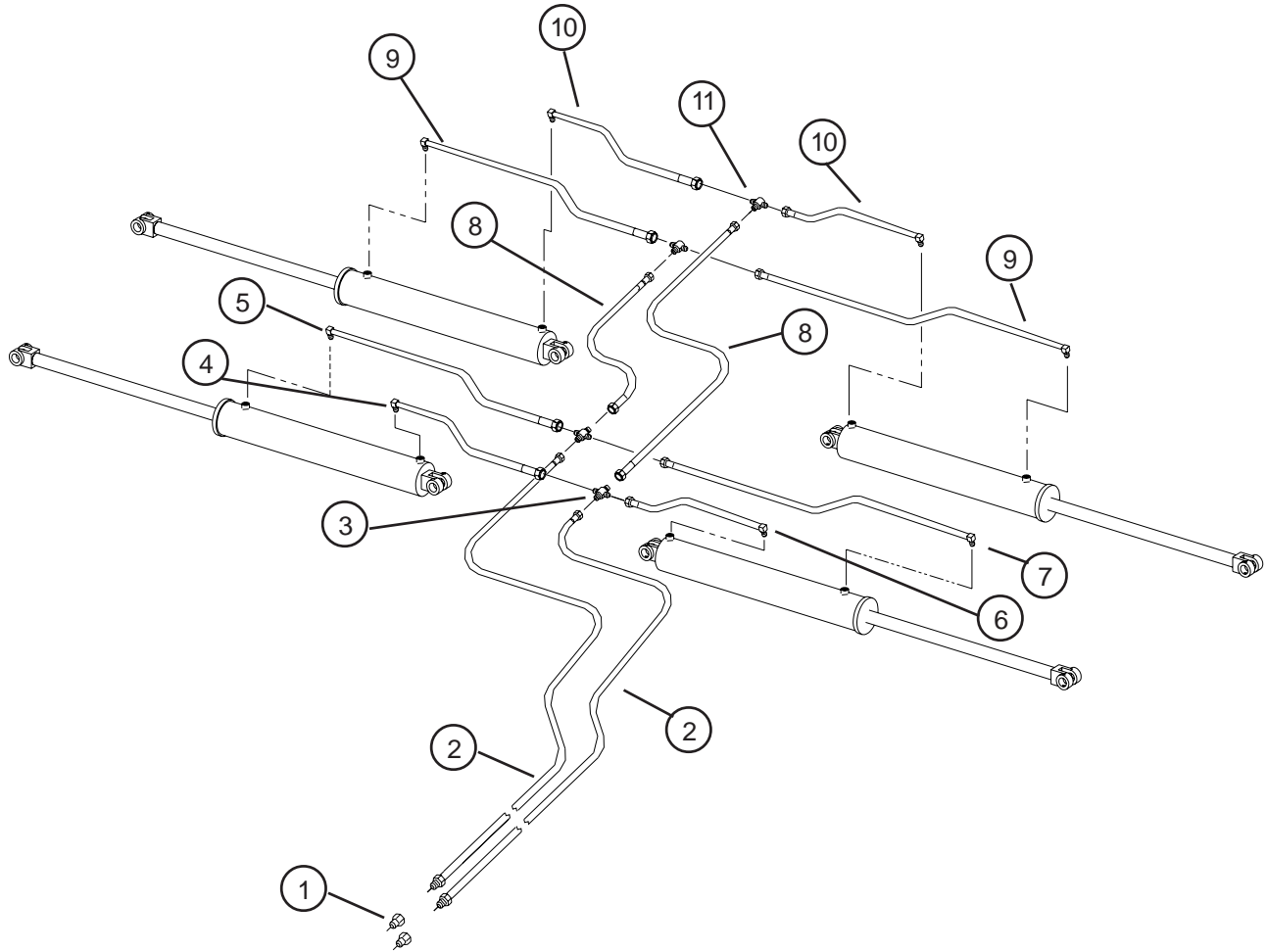


## HYDRAULICS - FOLDING HOSE (22FT-24FT-26FT)



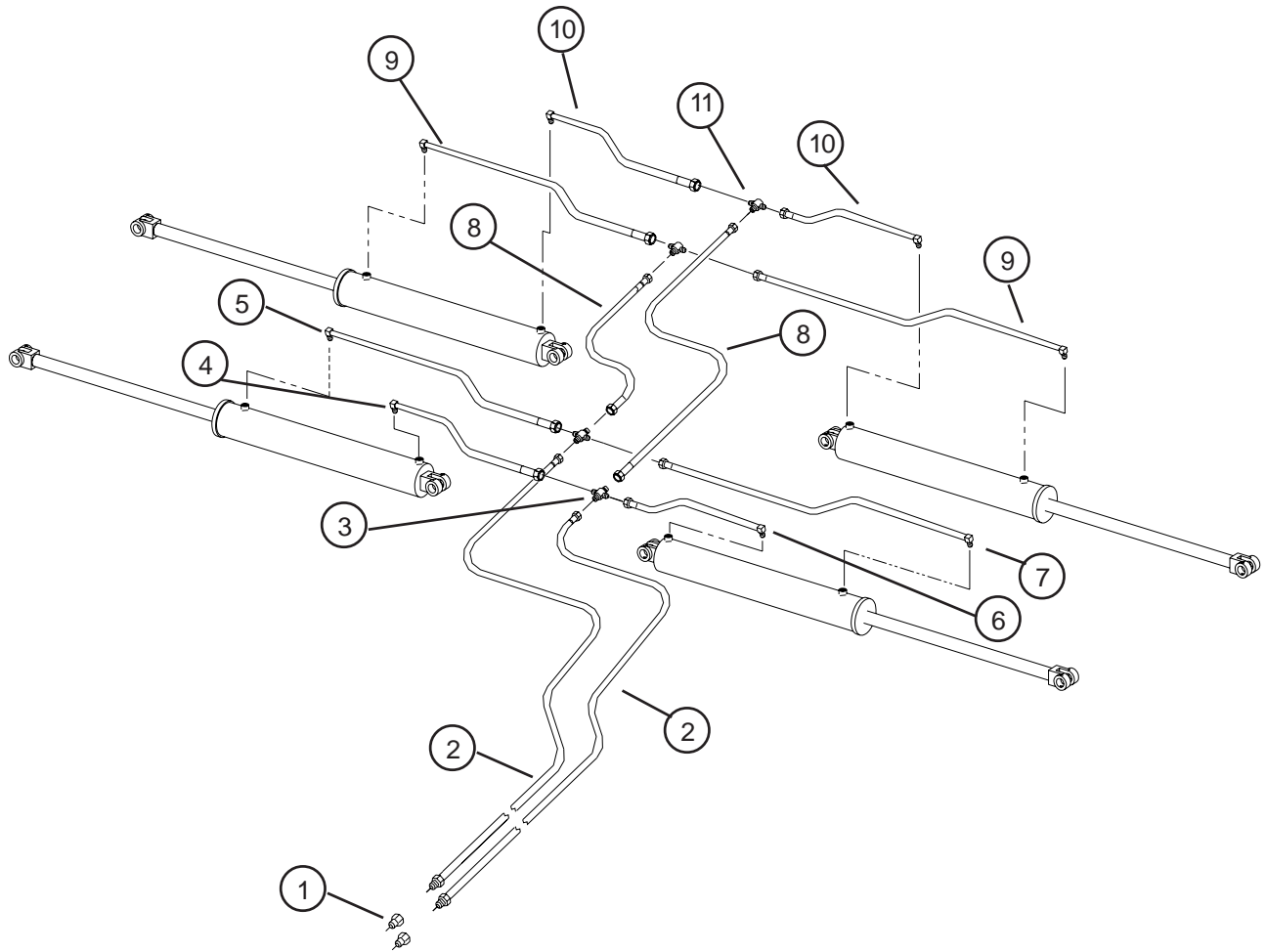
ITEM	PART NO.	DESCRIPTION
1	60640	QUICK DISCONNECT COUPLER
2	243764	220" HOSE 8FJX-8MP
3	64346	TEE 6MJ (3)
4	243775	36" HOSE 6FJX-8MBX90
5	243774	42" HOSE 6FJX-8MBX90
6	243765	263" HOSE 6FJX-8MBX90

# HYDRAULICS - FOLDING HOSE (30FT)



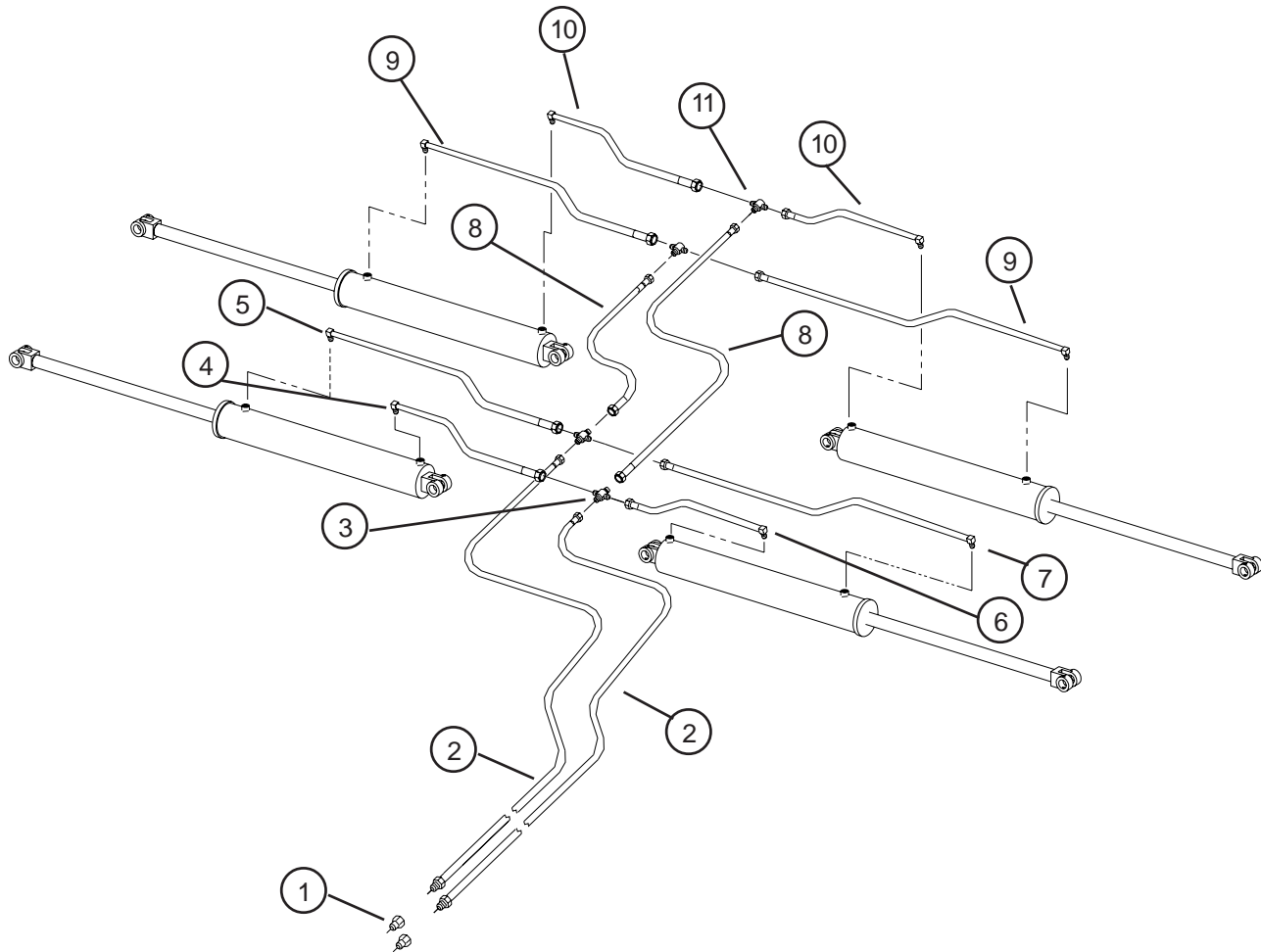
ITEM	PART NO.	DESCRIPTION
1	60640	QUICK DISCONNECT COUPLER
2	243764	220" HOSE 8FJX-8MP
3	67130	6MJ CROSS
4	243775	36" HOSE 8MBX90-8MBX90
5	243775	36" HOSE 8MBX90-8MBX90
6	243774	43" HOSE 8MBX90-8MBX90
7	243772	70" HOSE 8MBX90-8MBX90
8	243770	241" HOSE 6FJX-6FX
9	243773	48" HOSE 6FJX-8MBX90
10	243776	20" HOSE 6FJX-8MBX90
11	64346	TEE 6MJ (3)

## HYDRAULICS - FOLDING HOSE (34FT-38FT NON-LNT)



ITEM	PART NO.	DESCRIPTION
1	60640	QUICK DISCONNECT COUPLER
2	243764	220" HOSE 8FJX-8MP
3	67130	6MJ CROSS
4	243775	36" HOSE 8MBX90-8MBX90
5	243775	36" HOSE 8MBX90-8MBX90
6	243774	43" HOSE 8MBX90-8MBX90
7	243772	70" HOSE 8MBX90-8MBX90
8	243770	241" HOSE 6FJX-6FX
9	243773	48" HOSE 6FJX-8MBX90
10	243776	20" HOSE 6FJX-8MBX90
11	64346	TEE 6MJ (3)

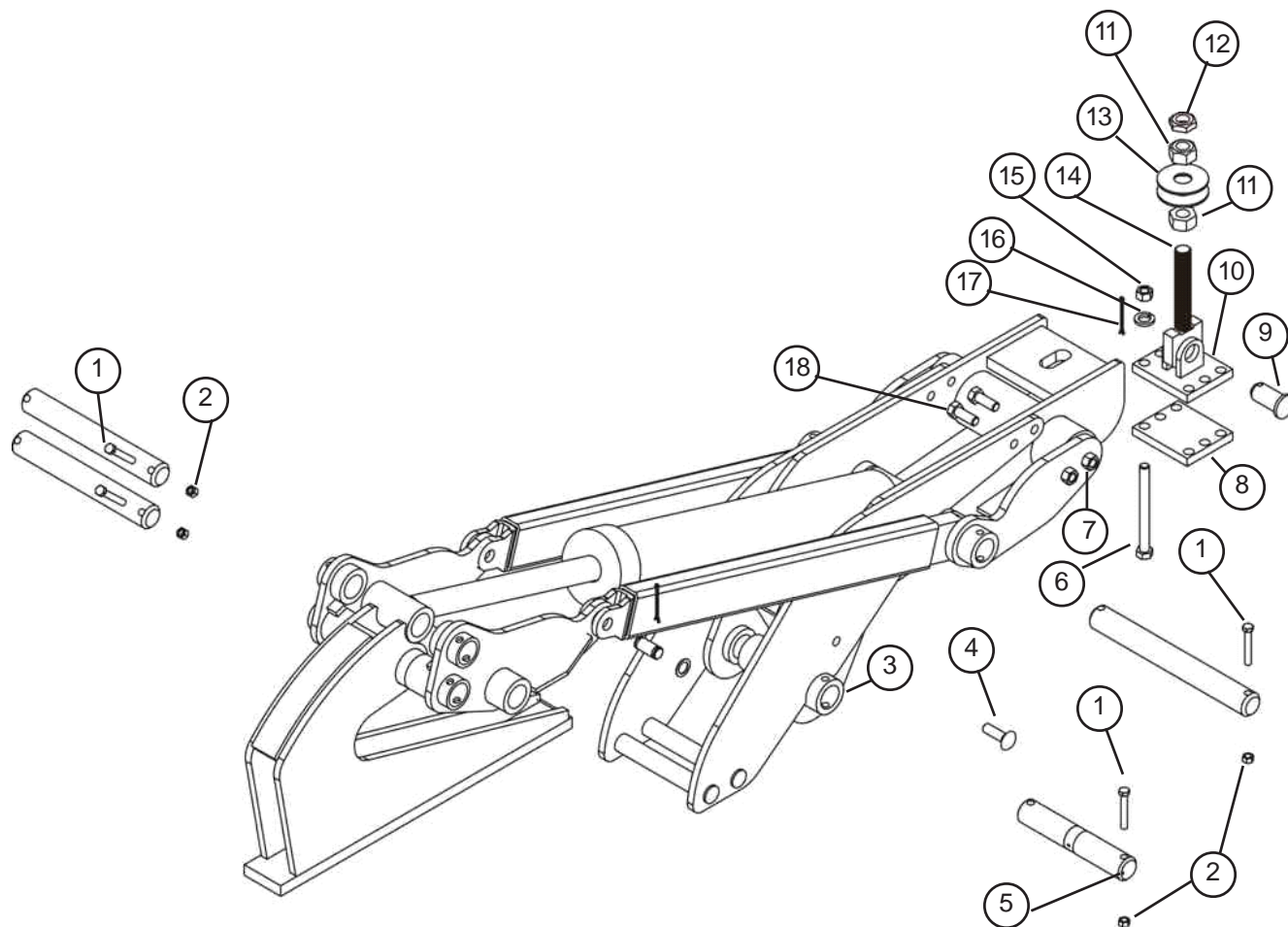
# HYDRAULICS - FOLDING HOSE (34FT-38FT LNT)



ITEM	PART NO.	DESCRIPTION
1	60640	QUICK DISCONNECT COUPLER
2	243764	220" HOSE 8FJX-8MP
3	67130	6MJ CROSS
4	243775	36" HOSE 8MBX90-8MBX90
5	243775	36" HOSE 8MBX90-8MBX90
6	350853	96" HOSE 8MBX90-8MBX90
7	350853	96" HOSE 8MBX90-8MBX90
8	243770	241" HOSE 6FJX-6FX
9	350848	62" HOSE 6FJX-8MBX90
10	350848	62" HOSE 6FJX-8MBX90
11	64346	TEE 6MJ (3)

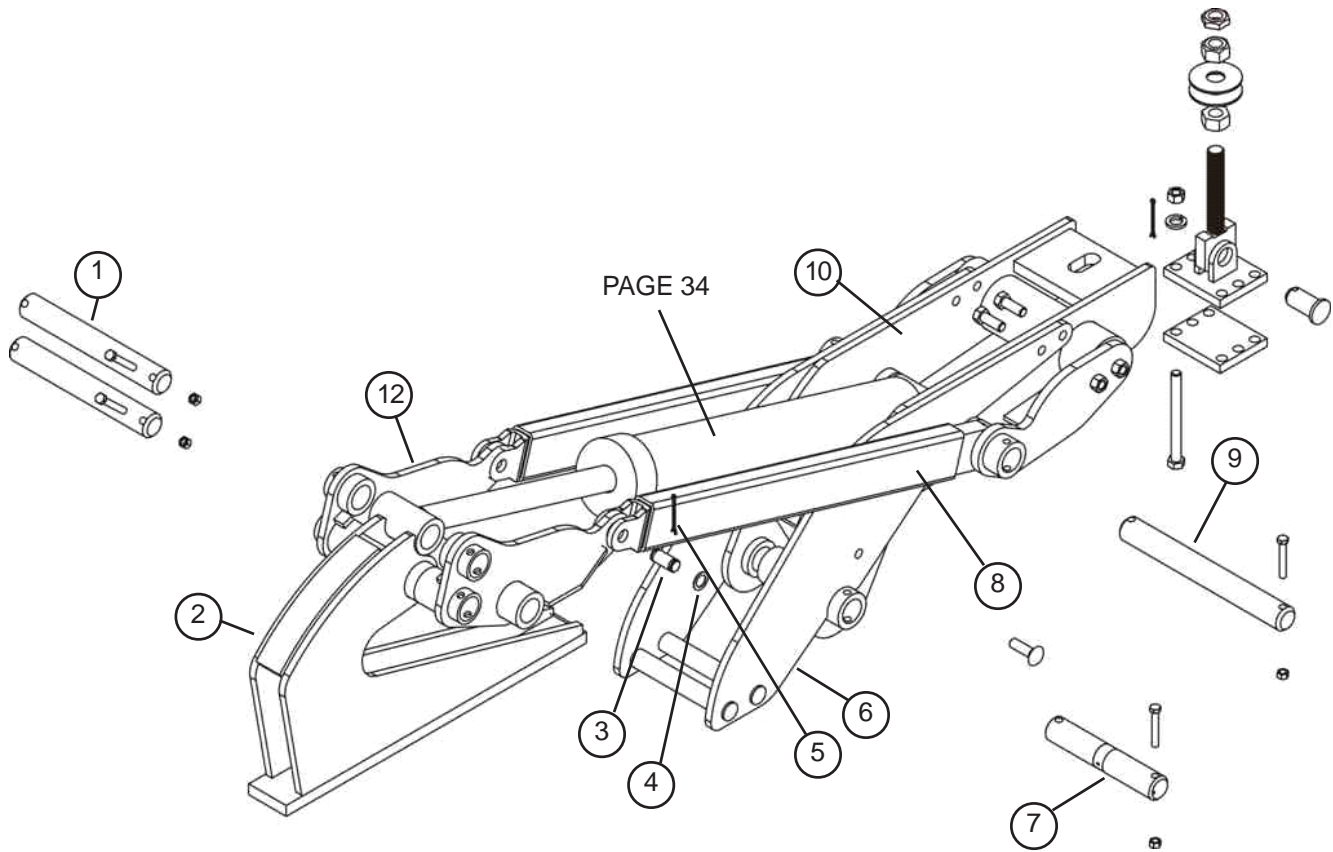


## OVER CENTER WING LOCK (COMMON PARTS) FOLDING OFFSET



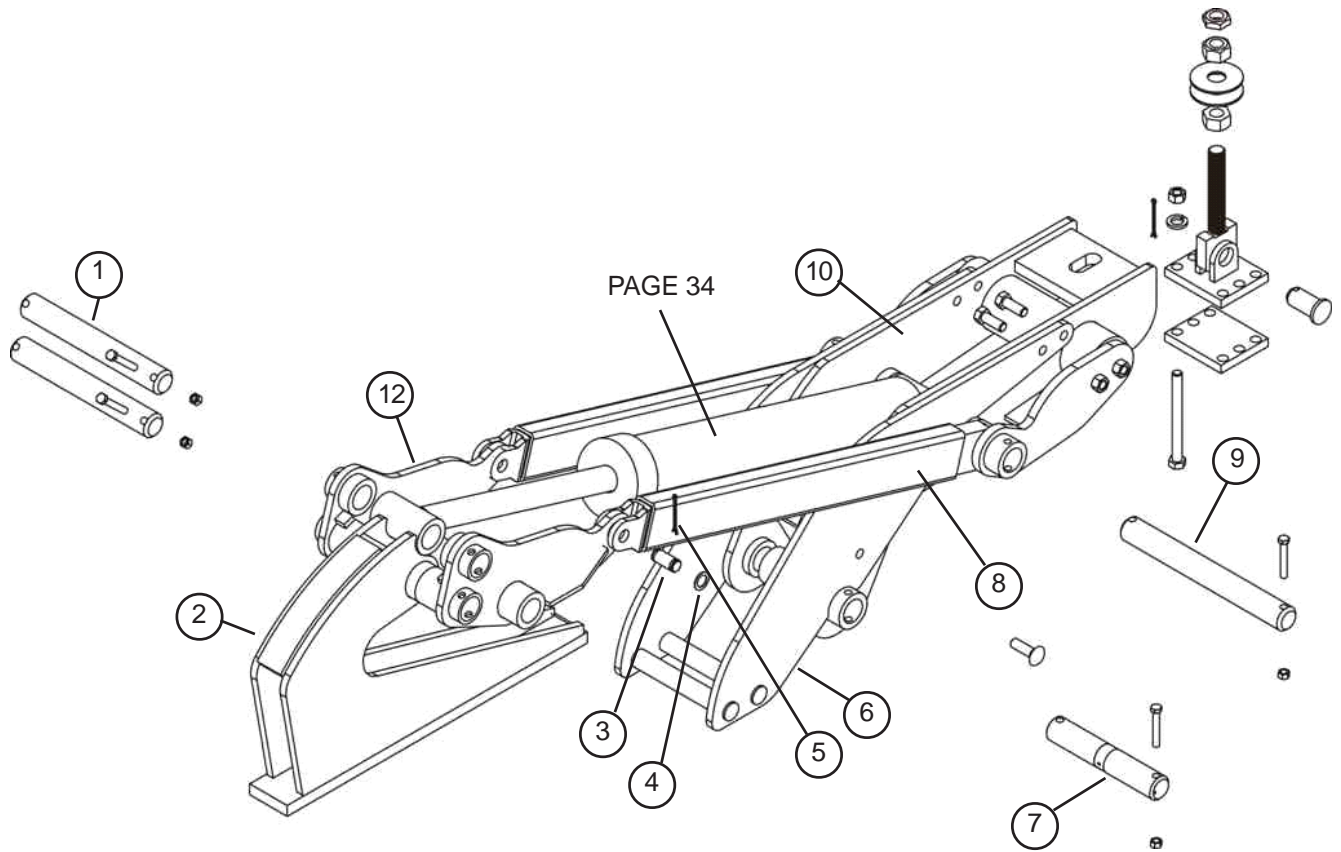
ITEM	PART NO.	DESCRIPTION
1	104947	BOLT - 1/2" x 3"
2	104946	NUT - 1/2" TOP LOCK
3	105345	COLLAR - WELDMENT
4	107609	CARRIAGE BOLT - 3/4" X 2"
5	104258	GREASE FITTING - 1/4 X 28
6	1948	BOLT - 3/4" X 9"
7	107188	NUT - 3/4" LOCK
8	108346	ATTACHING PLATE - 2013 AND EARLIER
	352763	ATTACHING PLATE - 2013 AND LATER
9	104653	PIN - 2013 AND EARLIER
	352765	PIN - 2013 AND LATER
10	104678	ADJUST BASE - 2013 AND EARLIER
	352762	ADJUST BASE - 2013 AND LATER
11	104728	NUT - 1-1/4"
12	104780	JAM NUT - 1-1/4"
13	104781	WASHER - 1-1/4" - 2013 AND EARLIER
	352766	WASHER - 1-1/4" - 2013 AND LATER
14	104608	ADJUST BOLT - 2013 AND EARLIER
	352759	ADJUST BOLT - 2013 AND LATER
15	1213	NUT - 3/4"
16	1212	LOCK WASHER - 3/4"
17	103690	COTTER PIN - 3/8" X 3"
18	104338	BOLT - 3/4" X 2"

# OVER CENTER WING LOCK (SMALL 20FT-22FT) FOLDING OFFSET



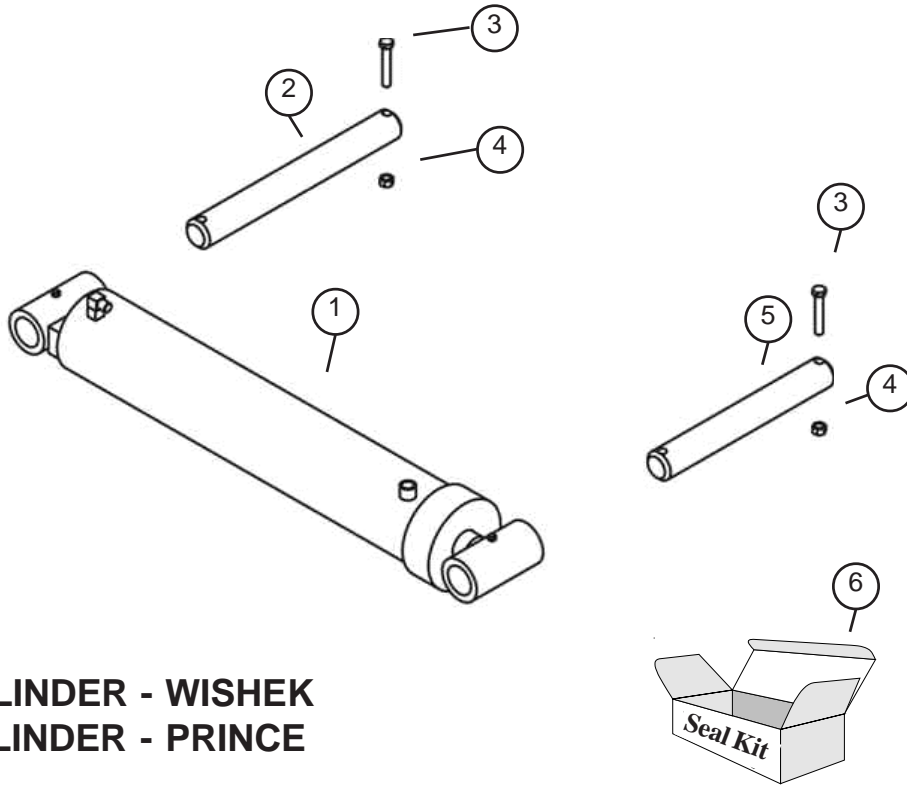
ITEM	PART NO.	DESCRIPTION
1	105357	PIN - 14-5/8"
2	105848	TOWER ASSY - NOT SERVICED
	351919	TOWER ASSY - NOT SERVICED
3	1903	PIN - 1" X 2-1/4" - 2013 AND EARLIER
	352767	PIN - 1" X 4-1/8" - 2013 AND LATER
4	107593	WASHER 1" X 1-1/2" 18GA
5	103586	COTTER PIN - 3/16" X 1-1/2"
6	105321	SIDE PLATE - 2013 AND EARLIER
	351890	SIDE PLATE - 2013 AND LATER
7	105359	PIN - 11-1/4" W/GREASE FITTING
8	105334	CONTROL ARM - 2013 AND EARLIER
	351870	CONTROL ARM - 2013 AND LATER
9	105358	PIN - 17-1/16"
10	105348	CYLINDER ANCHOR - WELDMENT - 2013 AND EARLIER
	351895	CYLINDER ANCHOR - WELDMENT - 2013 AND LATER
11	105356	CYLINDER - 5" X 20-1/8"
12	105343	BELLCRANK ASSEMBLY - 2013 AND EARLIER
	351877	BELLCRANK ASSEMBLY - 2013 AND LATER
13	104771	FRONT/REAR HINGE PINS - 8-3/8" 2013 AND EARLIER
	352949	FRONT/REAR HINGE PINS - 2013 AND LATER (NOT SHOWN)

# OVER CENTER WING LOCK (LARGE 24FT-26FT) FOLDING OFFSET



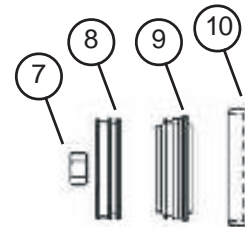
ITEM	PART NO.	DESCRIPTION
1	105357	PIN - 14-5/8"
2	104713	TOWER ASSY - NOT SERVICED
	351918	TOWER ASSY - NOT SERVICED
3	1903	PIN - 1" X 2-1/4" - 2013 AND EARLIER
	352767	PIN - 1" X 4-1/8" - 2013 AND LATER
4	107593	WASHER 1" X 1-1/2" 18GA
5	103586	COTTER PIN - 3/16" X 1-1/2"
6	104844	SIDE PLATE - 2013 AND EARLIER
	351889	SIDE PLATE - 2013 AND LATER
7	105359	PIN - 11-1/4" W/GREASE FITTING
8	104725	CONTROL ARM - 2013 AND EARLIER
	351871	CONTROL ARM - 2013 AND LATER
9	105358	PIN - 17-1/16"
10	104742	CYLINDER ANCHOR - 2013 AND EARLIER
	351894	CYLINDER ANCHOR - 2013 AND LATER
11	104692LH	5X24.75 CYLINDER (LEFT)
	104692RH	5X24.5 CYLINDER (RIGHT)
12	104720	BELLCRANK ASSY - 2013 AND EARLIER
	351876	BELLCRANK ASSY - 2013 AND LATER
13	104771	FRONT/REAR HINGE PINS - 8-3/8" 2013 AND EARLIER
	352949	FRONT/REAR HINGE PINS - 2013 AND LATER (NOT SHOWN)

# OVER CENTER WING LOCK WING FOLD CYLINDER FOLDING OFFSET

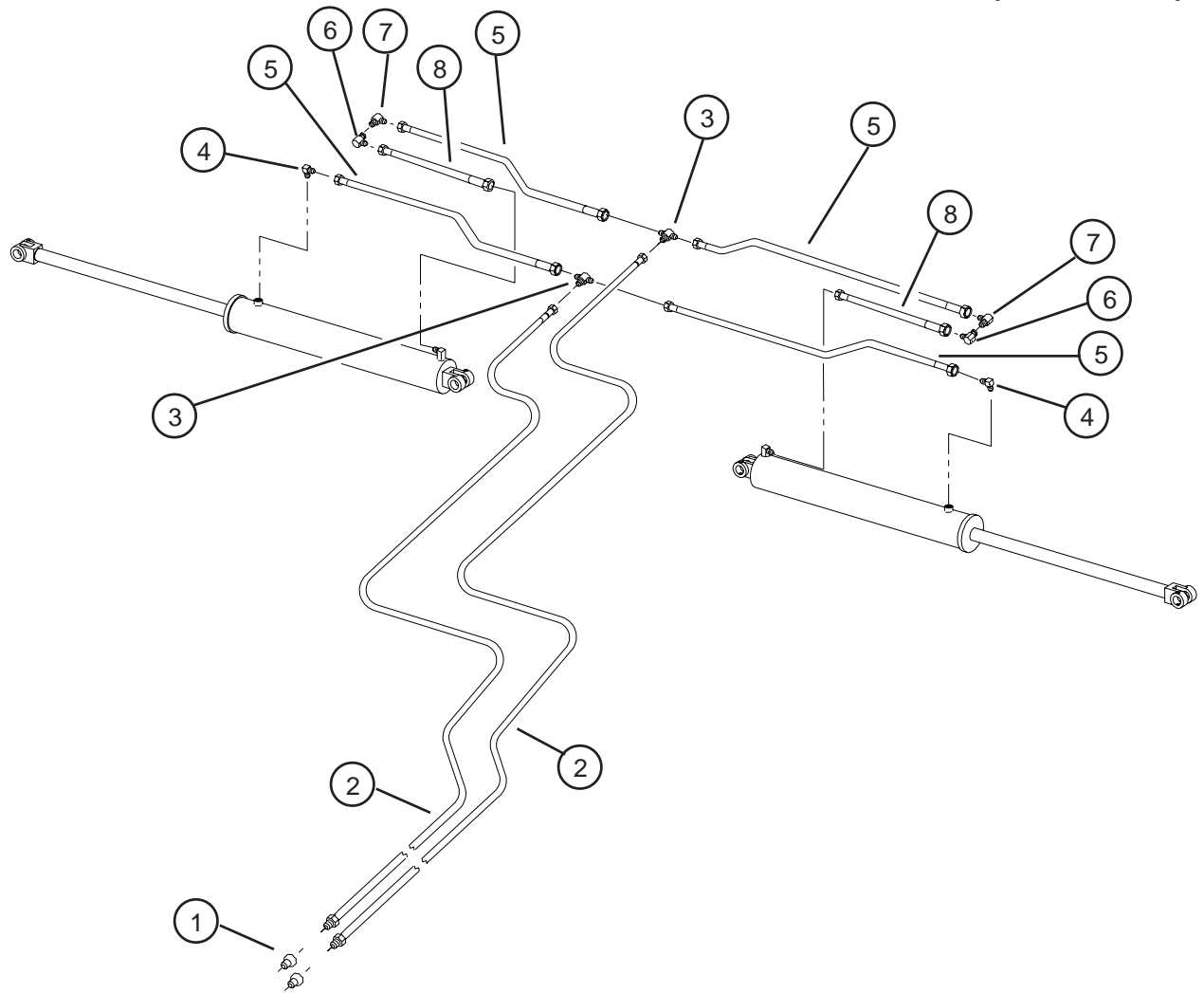


**NOTE:**  
**GREEN CYLINDER - WISHEK**  
**BLACK CYLINDER - PRINCE**

ITEM	PART NO.	DESCRIPTION
1	104692LH	COMPLETE CYLINDER 5" X 24-3/4" - 24' & 26'
	104692RH	COMPLETE CYLINDER 5" X 24-3/4" - 24' & 26'
	105356	COMPLETE CYLINDER 5" X 20-1/8" - 20' & 22'
2	105358	PIN - 17-1/16"
3	104947	BOLT- 1/2" X 3"
4	104946	LOCKNUT 1/2"NC
5	105357	PIN - 14-5/8"
6	104625	SEAL KIT - 5" - WISHEK
	108339	SEAL KIT - 5" - PRINCE
7	104606	LOCKNUT 1-1/2-12 - WISHEK
	108606	LOCKNUT 1-3/4-12 - PRINCE
8	107255	5" PISTON - WISHEK
	108602	5" PISTON - PRINCE
9	104582	5" HEADGLAND - WISHEK
	108603	5" HEADGLAND - PRINCE
10	104581	5" CYLINDER NUT - WISHEK
	108604	5" CYLINDER NUT - PRINCE

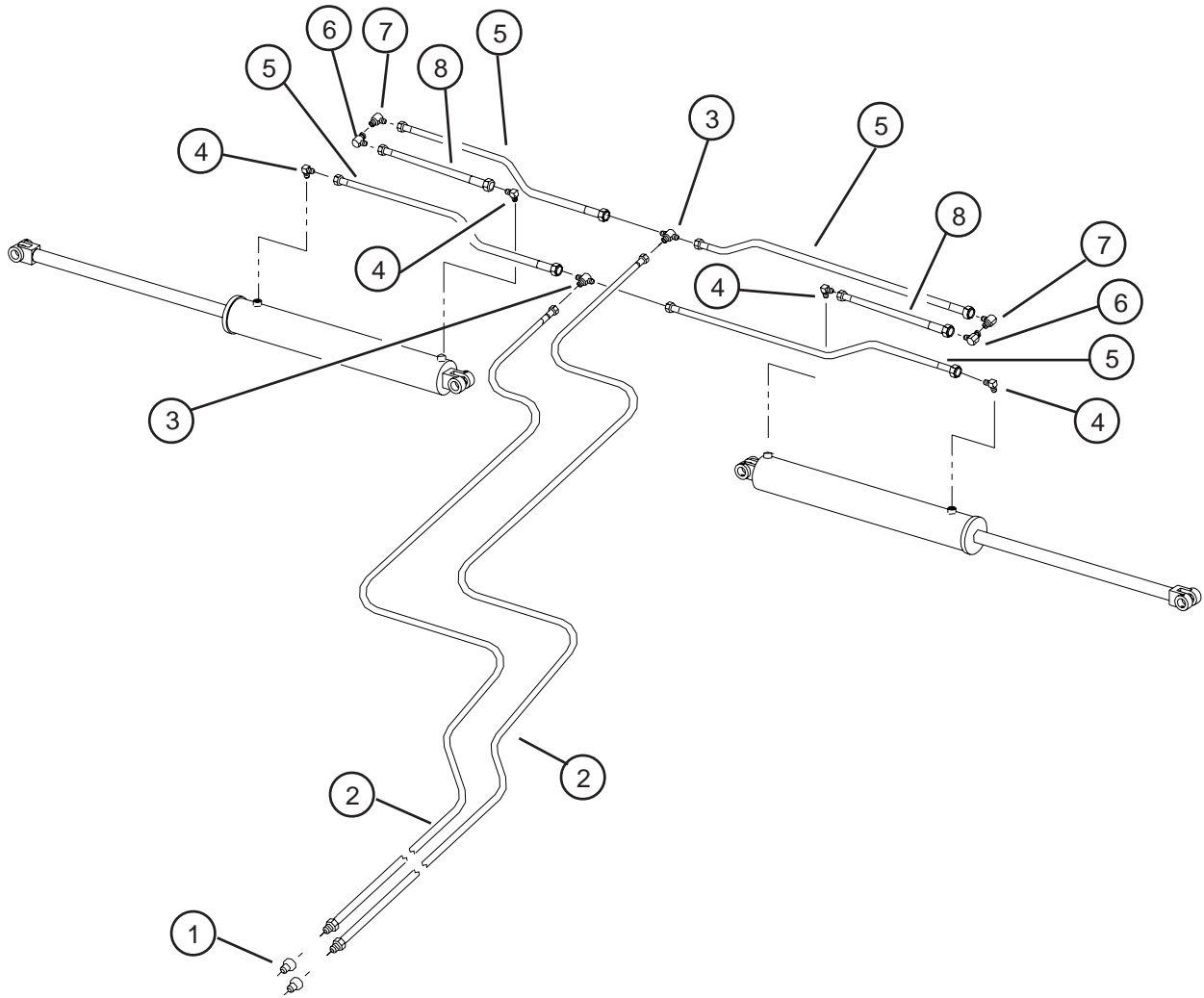


## HYDRAULICS - FOLDING HOSE (20FT-22FT)



ITEM	PART NO.	DESCRIPTION
1	60640	QUICK DISCONNECT COUPLER
2	350854	3/16" HOSE 8FJX-8MP
3	64346	TEE 6MJ (3)
4	105161	6MJ X 8MORB ELB
5	350857	65" HOSE 6FJX X 6FJX
6	238202	6MJ X 6FJX ELB
7	351710	6MJ X 6MJ ELB
8	350862	14" HOSE 6FJX-6FX

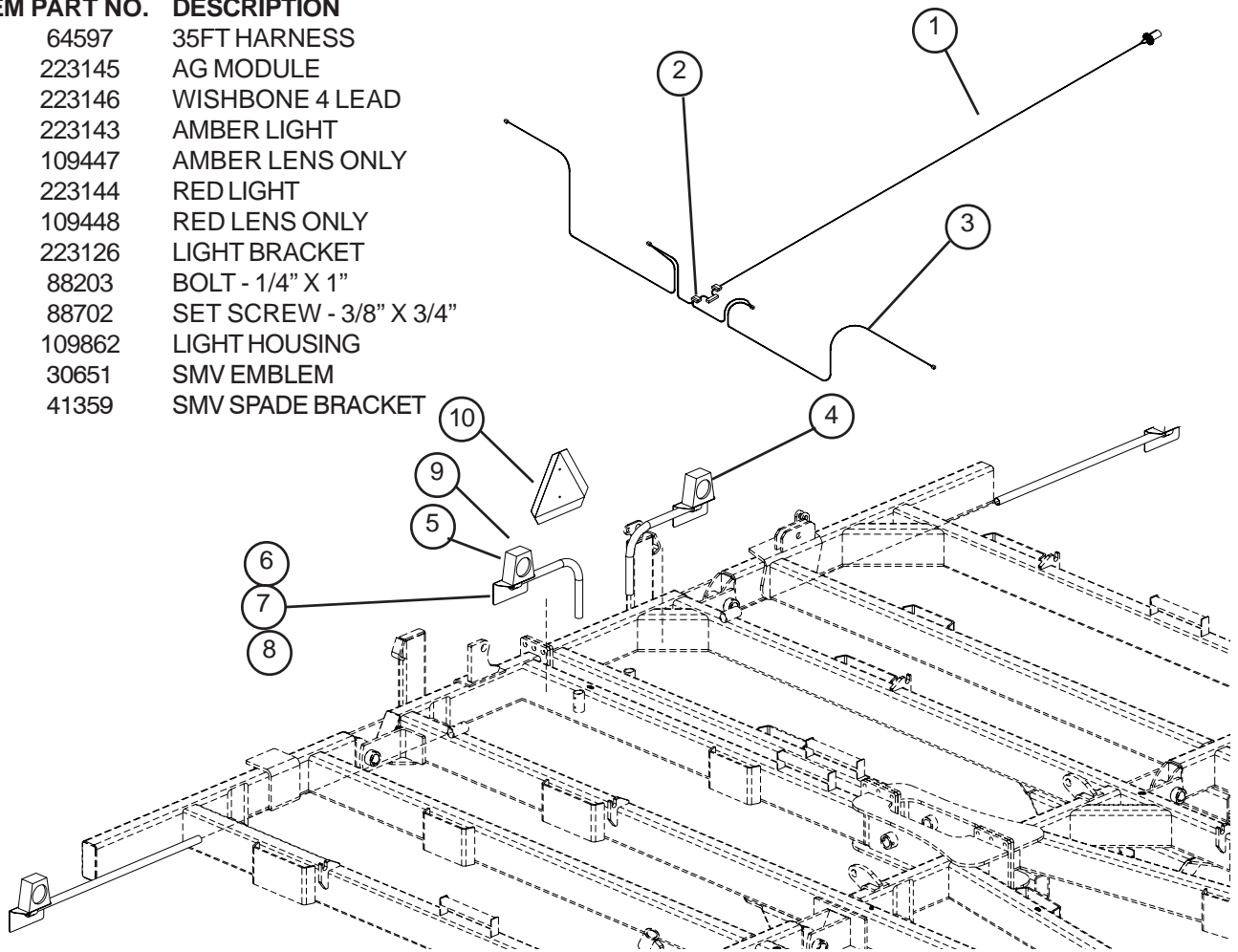
# HYDRAULICS - FOLDING HOSE (24FT-26FT)



ITEM	PART NO.	DESCRIPTION
1	60640	QUICK DISCONNECT COUPLER
2	350854	316" HOSE 8FJX-8MP
3	64346	TEE 6MJ (3)
4	105161	6MJ X 8MORB ELB
5	350857	65" HOSE 6FJX X 6FJX
6	238202	6MJ X 6FJX ELB
7	351710	6MJ X 6MJ ELB
8	350862	18" HOSE 6FJX-6FX

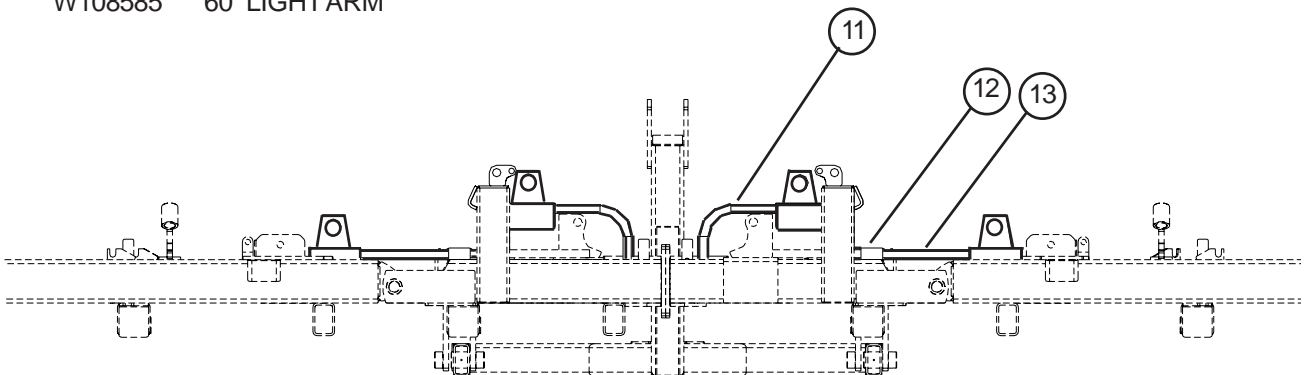
# LIGHT KIT

ITEM	PART NO.	DESCRIPTION
1	64597	35FT HARNESS
2	223145	AG MODULE
3	223146	WISHBONE 4 LEAD
4	223143	AMBER LIGHT
	109447	AMBER LENS ONLY
5	223144	RED LIGHT
	109448	RED LENS ONLY
6	223126	LIGHT BRACKET
7	88203	BOLT - 1/4" X 1"
8	88702	SET SCREW - 3/8" X 3/4"
9	109862	LIGHT HOUSING
10	30651	SMV EMBLEM
	41359	SMV SPADE BRACKET

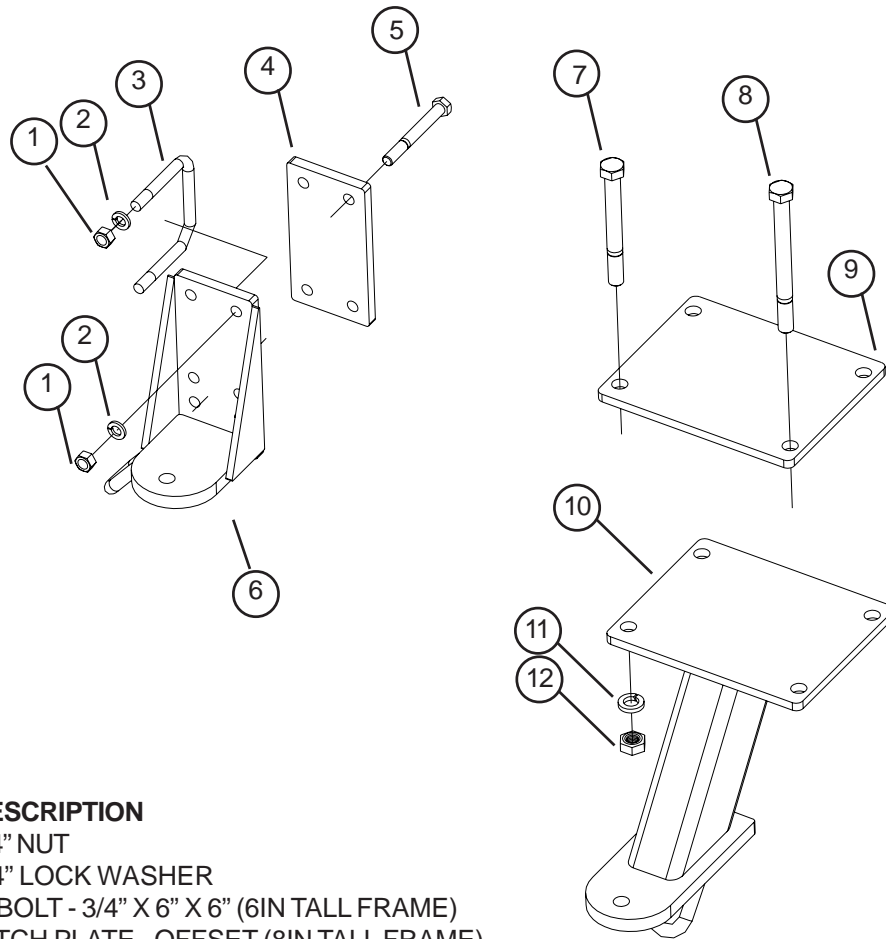


700580

ITEM	PART NO.	DESCRIPTION
11	W108527	10" X 19" LIGHT ARM
	W109223	19" X 56" LIGHT ARM
12	W108720	LIGHT BASE (NON-WINGED MODELS)
13	W108721	18" LIGHT ARM
	W108529	36" LIGHT ARM
	W108528	48" LIGHT ARM
	W108585	60" LIGHT ARM



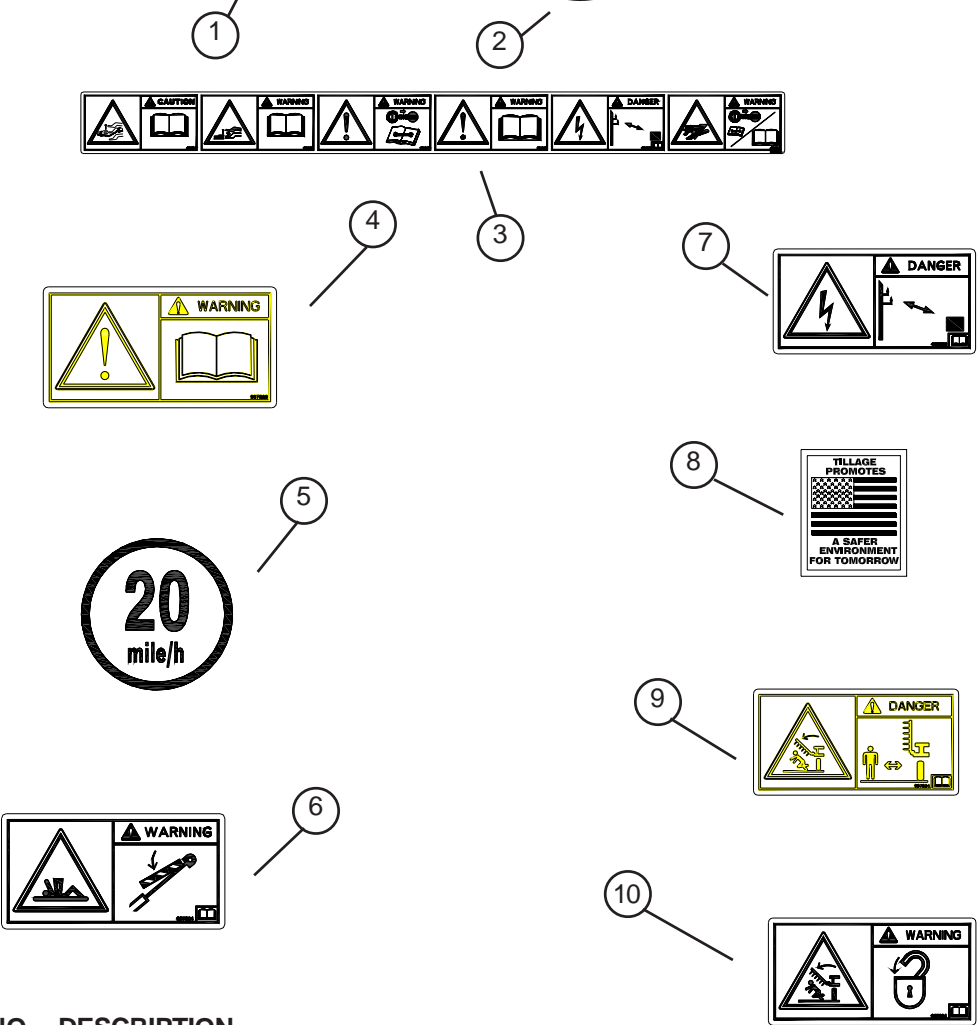
# REAR HITCHES



ITEM	PART NO.	DESCRIPTION
1	88110	3/4" NUT
2	88130	3/4" LOCK WASHER
3	1702	U-BOLT - 3/4" X 6" X 6" (6IN TALL FRAME)
4	350177	HITCH PLATE - OFFSET (8IN TALL FRAME)
5	89130	3/4" X 6-1/2" 5Z BOLT
6	350190	CAT HITCH (NON-FOLD)
	350191	CLEVIS HITCH (NON-FOLD)
7	88688	1" X 9" 5Z BOLT (FOLDING OFFSET)
8	88903	1" X 11" 5 Z BOLT (ALL TANDEM)
9	350174	HITCH PLATE (FOLDING OFFSET)
	350173	HITCH PLATE (TANDEM)
10	350188	CAT HITCH (FOLDING OFFSET)
	350189	CLEVIS HITCH (FOLDING OFFSET)
	350186	CAT HITCH (NON-FOLD TANDEM)
	350187	CLEVIS HITCH (NON-FOLD TANDEM)
	350184	CAT HITCH (FOLDING TANDEM)
	350185	CLEVIS HITCH (FOLDING TANDEM)
11	88617	1" LOCK WASHER
12	88125	1" NUT



# 862NT Wishek



ITEM PART NO.	DESCRIPTION
1 243348	862NT MODEL DECAL (SHOWN)
243349	842NT MODEL DECAL
243350	814NT MODEL DECAL
356232	814LNT MODEL DECAL
243351	816NT MODEL DECAL
356233	816LNT MODEL DECAL
244789	842LNT MODEL DECAL
244790	862LNT MODEL DECAL
244791	812N MODEL DECAL
244792	842N MODEL DECAL
244794	742NT MODEL DECAL
244795	612N MODEL DECAL
244796	714NT MODEL DECAL
245886	862N MODEL DECAL

ITEM PART NO.	DESCRIPTION
2 243346	WISHEK DECAL
3 9971163	DECAL SAFETY SET
4 997860	DECAL READ MANUAL WARNING
5 9971018	DECAL SPEED SIGN 20 MILE/HR
6 997864	DECAL LOCKOUT WARNING
7 997862	DECAL HIGH VOLTAGE DANGER
8 997263	DECAL TILLAGE PROMOTES
9 997854	DECAL FOLDING WINGS DANGER
10 997994	DECAL INSTALL LOCK PINS WARNING



ITEM	PART NO.	DESCRIPTION
1	103612	GREEN PAINT
2	104446	YELLOW PAINT
3	107660	BLACK PAINT
4	107633	RED PAINT - JI CASE
	351481	RED PAINT - MF50
5	240799	460ep GREASE (10 PACK)

