



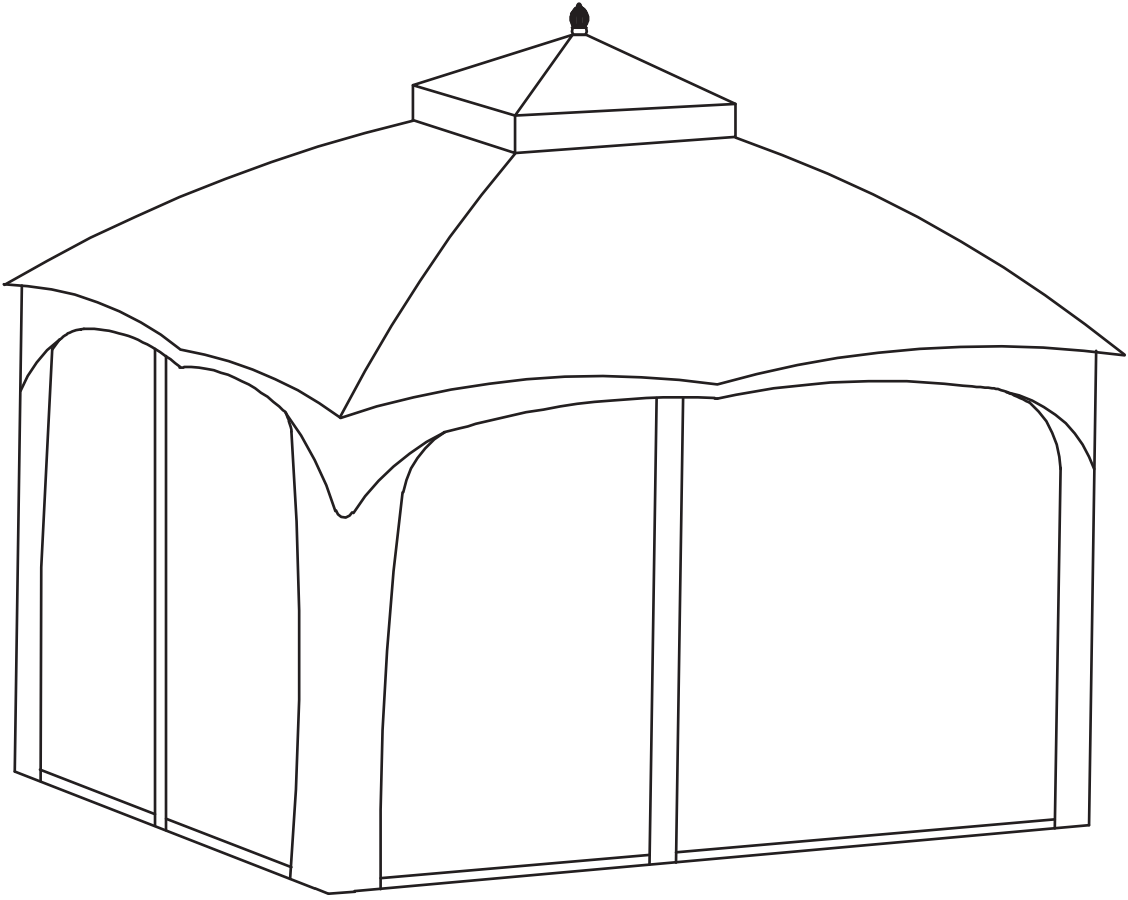
ITEM #0355094

12 FT x 10 FT GAZEBO

MODEL #GF-12S004B

Français p. 13

Español p. 25



ATTACH YOUR RECEIPT HERE

Serial Number _____ Purchase Date _____



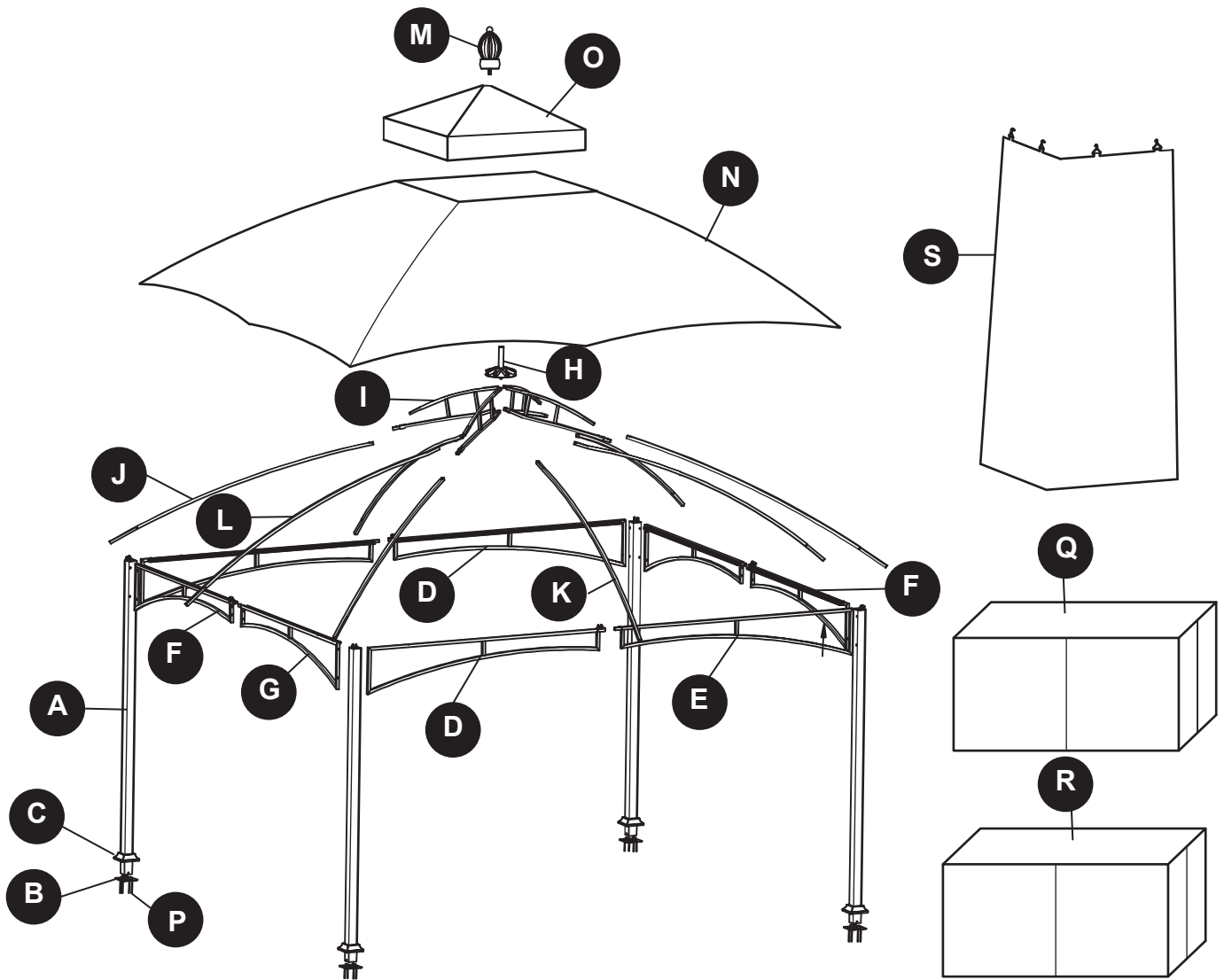
Questions, problems, missing parts? Before returning to your retailer, call our customer service department at 1-866-439-9800, 8 a.m. - 8 p.m., EST, Monday - Friday.

XXXXXX

TABLE OF CONTENTS

Package Contents	3
Hardware Contents	4
Safety Information	5
Preparation	5
Assembly Instructions	6
Operating Instructions	12
Care and Maintenance	12
Warranty	12
Replacement Parts List	12

PACKAGE CONTENTS



PART	DESCRIPTION	QUANTITY
A	Supporting Post	4
B	Post Bottom Plate	4
C	Post Plate Cover	4
D	Left Crossbar 1	2
E	Right Crossbar 1	2
F	Left Crossbar 2	2
G	Right Crossbar 2	2
H	Roof Connector	1
I	Canopy Roof Pole 1	4
J	Canopy Roof Pole 2	4

PART	DESCRIPTION	QUANTITY
K	Canopy Roof Pole 3	2
L	Canopy Roof Pole 4	2
M	Finial	1
N	Fabric Cover	1
O	Air Vent Cover	1
P	Stake	16
Q	Side Wall	1
R	Mosquito Net	1
S	Corner Curtain	4

HARDWARE CONTENTS (shown actual size)

AA



M6 x 15
Short Bolt
Qty. 8

BB



M6 x 50
Long Bolt
Qty. 8

CC



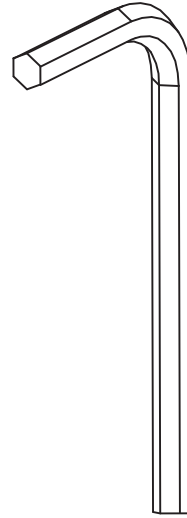
M6 x 35
Medium Bolt
Qty. 24

DD



M6
Bolt Nut
Qty. 16

EE



Hex Wrench
Qty. 1

FF



Wrench
Qty. 1

(Not show actual size)

SAFETY INFORMATION

Please read and understand this entire manual before attempting to assemble, operate or install the product.

- Two to four people are needed for assembly.
- Load of the hook on the roof: 50 lbs. (max)

WARNING

- KEEP ALL FLAME AND HEAT SOURCES AWAY FROM TENT FABRIC.

This tent meets the flammability requirements of CPAI-84. The fabric may burn if left in continuous contact with any flame source. The application of any foreign substance to the tent fabric may render the flame-resistant properties ineffective.

CAUTION

- Do not leave outside during high winds, heavy rains or snow. Remove canopy.
- Fasten the base to the deck whether it is wood or concrete.

PREPARATION

Before beginning assembly, make sure all parts are present. Compare parts with package contents list and hardware contents list. If any part is missing or damaged, do not attempt to assemble the product.



Estimated Assembly Time: Approx. 4 hours

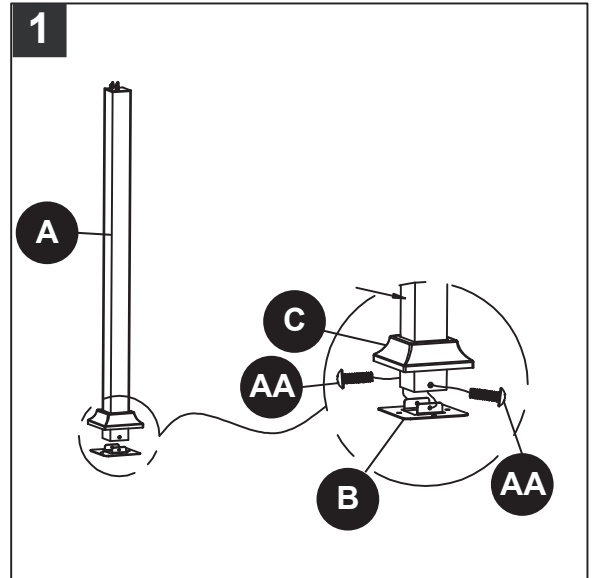
Tools Required for assembly (not included): Ladder, 5 ft. (at least 5 ft. during assembly).

ASSEMBLY INSTRUCTIONS

1. Insert post plate cover (C) into supporting post (A), then fit post bottom plate (B) underneath supporting post (A). Insert short bolt (AA) through supporting post (A) and secure the post bottom plate (B) using hex wrench (EE). Slide down post plate cover (C) into place as shown.





Hardware Used

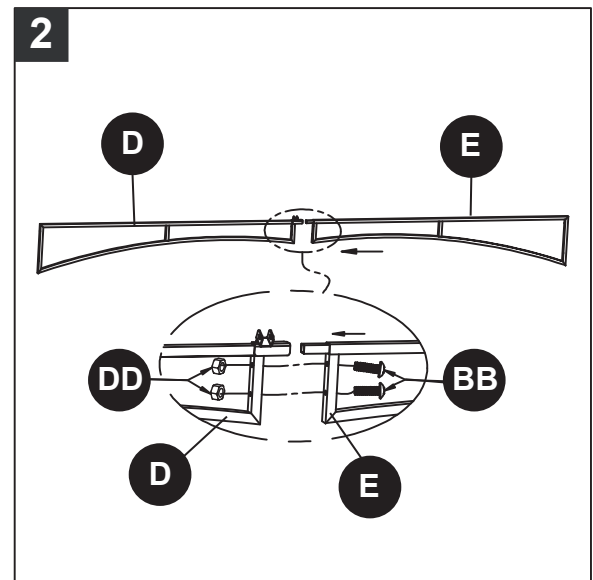
AA	Short Bolt		x 8
EE	Hex Wrench		x 1



2. Insert right crossbar 1 (E) into left crossbar 1 (D). Attach using, in order, long bolts (BB) on both sides of connection and bolt nuts (DD). Tighten using hex wrench (EE) and wrench (FF).

Hardware Used





BB	Long Bolt		x 4
DD	Bolt Nut		x 4
EE	Hex Wrench		x 1
FF	Wrench		x 1

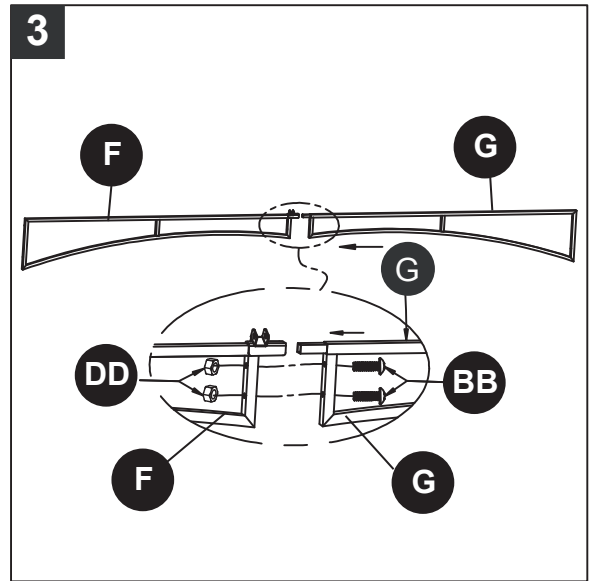


ASSEMBLY INSTRUCTIONS

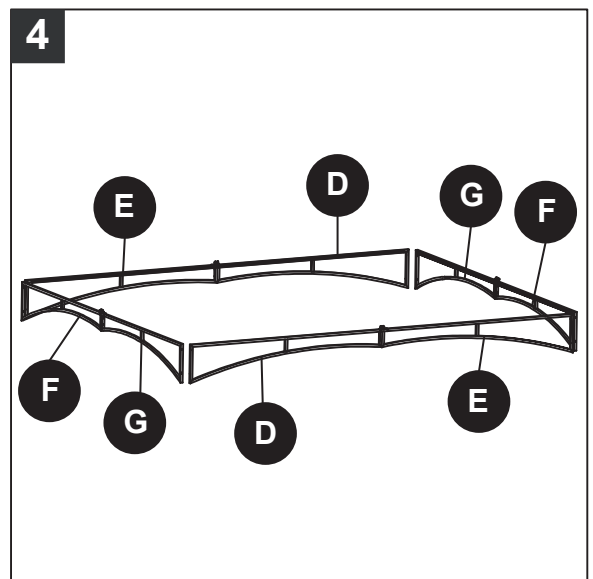
3. Insert right crossbar 2 (G) into left crossbar 2 (F). Attach using, in order, long bolts (BB) on both sides of connection and bolt nuts (DD). Tighten using hex wrench (EE) and wrench (FF).

Hardware Used

BB	Long Bolt		x 4
DD	Bolt Nut		x 4
EE	Hex Wrench		x 1
FF	Wrench		x 1





4. Place the crossbar sets from Steps 2 and 3 as depicted in the illustration.

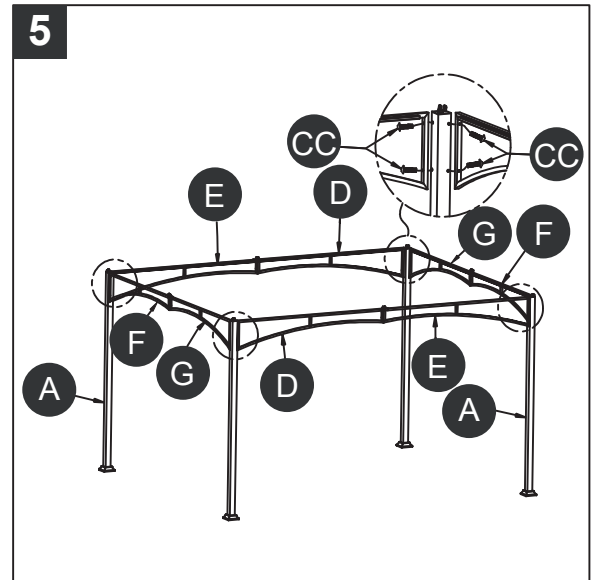


ASSEMBLY INSTRUCTIONS

5. Place supporting posts as depicted in the illustration. Insert medium bolt (CC) through supporting post (A). Secure onto crossbars using hex wrench (EE).




Hardware Used

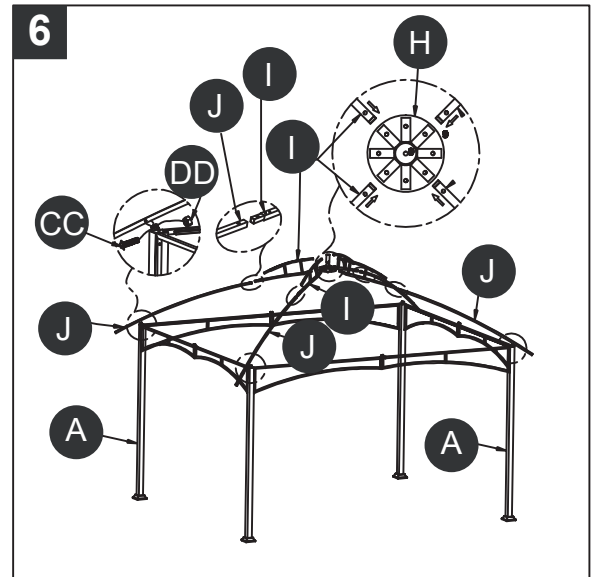
CC	Medium Bolt		x 16
EE	Hex wrench		x 1



6. Insert canopy roof pole 1 (I) into roof connector (H). Insert canopy roof pole 2 (J) into canopy roof pole 1 (I). Then secure canopy roof pole 2 (J) onto supporting post (A) using medium bolts (CC), bolt nuts (DD) and hex wrench (EE).

Hardware Used

CC	Medium Bolt		x 4
DD	Bolt Nut		x 4
EE	Hex Wrench		x 1

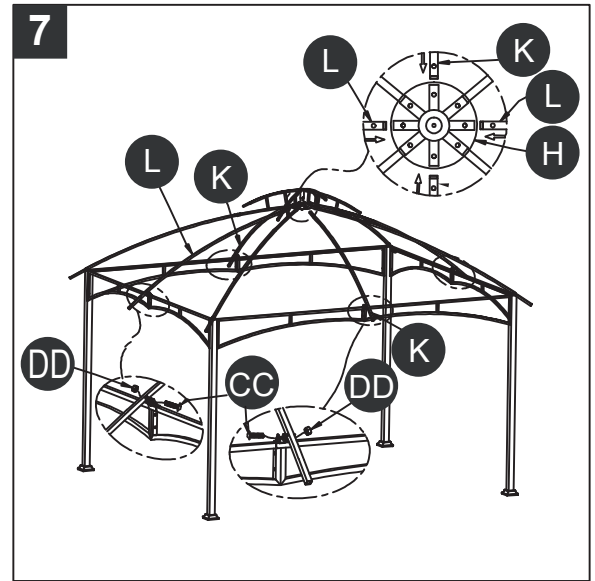


ASSEMBLY INSTRUCTIONS

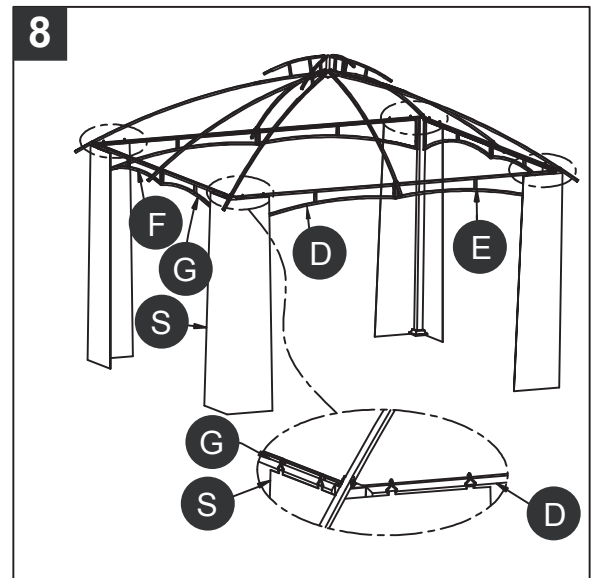
7. Insert canopy roof pole (L, K) into roof connector (H), then secure canopy roof pole (L, K) onto crossbar by using medium bolts (CC), bolts nuts (DD) and hex wrench (EE).

Hardware Used

CC	Medium Bolt		x 4
DD	Bolt Nut		x 4
EE	Hex Wrench		x 1



8. Hang the corner curtains (S) onto the crossbars by the hook as shown.



ASSEMBLY INSTRUCTIONS

9. Place fabric cover (N) on top but do not tighten. Place air vent cover (O) on top, then secure finial (M). Tighten fabric cover (N) and hang the mosquito net (R) and side wall (Q).

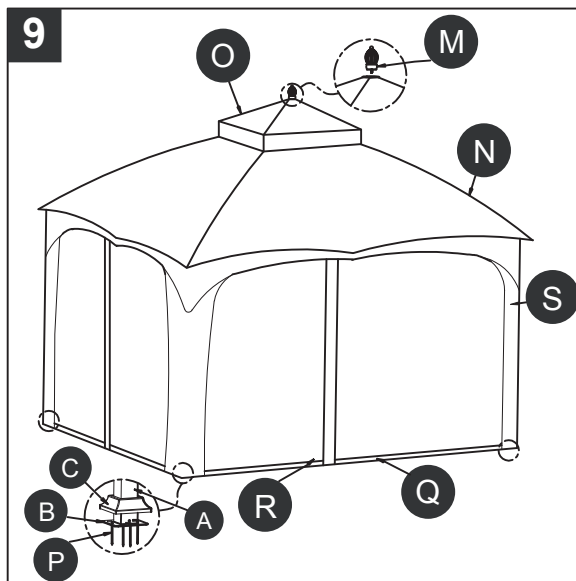
If you notice there is a lack of length or material while assembling the mosquito net and side wall, the 10-foot side and 12-foot side may have been reversed.

Rotate the mosquito net and try again.

Please also use caution when installing the mosquito net and pay attention to the notice tag on the zipper of the side wall.

Once the unit is assembled, ensure the legs are perpendicular to the ground.

Finally, secure the gazebo to the ground by inserting lawn stakes (P) through the holes in the post bottom plate (F) and into the ground.



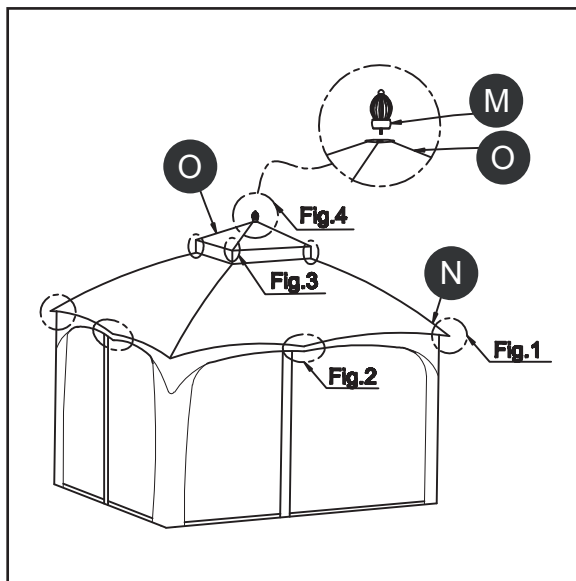
CANOPY REMOVAL INSTRUCTIONS

Fig. 1: Detach the fabric cover (N) from the canopy roof pole on the corner of the top.

Fig. 2: Open the hook and loop connectors on the center of the side.

Fig. 3: Detach the air vent (O) from the canopy roof pole (I).

Fig. 4: Unscrew the finial (M) and remove it from roof connector (H). Remove the air vent and fabric cover from the top and re-secure finial (M) to the gazebo structure.



CAUTION: Do not leave outside during high winds, heavy rains or snow. Remove canopy.

OPERATING INSTRUCTIONS

Stake all sunshade panels at the bottom of the frames per assembly instructions. In geographic regions with snowfall, heavy rain or wind, remove the fabric cover, fabric curtain and mosquito net and store these items inside.

CARE AND MAINTENANCE

- This gazebo frame is made of steel with a powder-coated finish for durability and elegance. Slight pinholes will be present in the steel tubing that are customary to original steel work.
- Wash with soap and water.
- Before storing, remove leaves and dirt, drain all water that may have accumulated in or around patio furniture frames. If not drained properly, water can cause freeze damage including bursting or cracking of metal tubing.

CAUTION: Do not leave outside during high winds, heavy rains or snow. Remove canopy.

WARRANTY

This warranty is extended to the original purchaser and applies to defects in materials and workmanship of your outdoor furniture or accessory item(s), provided it is maintained with care and used only for personal, residential purposes.

Frames and welds are warranted to be free from defects in material or workmanship for a period of one year.

Fabric is warranted for a period of one year against defects in material or workmanship.

This warranty is not transferable and does not cover products damaged by misuse, neglect, accident, alterations or use and maintenance other than that specified in this instruction.

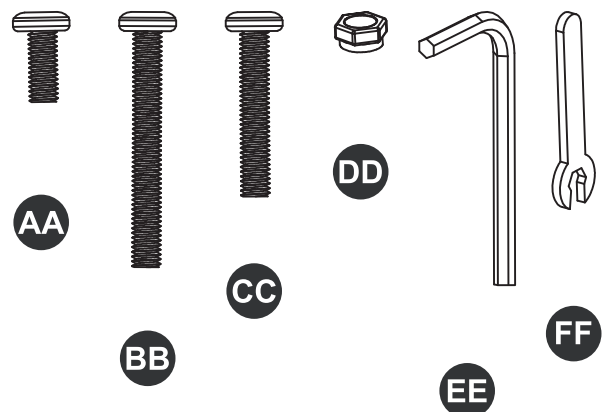
The manufacturer will not be held liable for any direct, indirect, incidental or consequential damages. Some states do not allow limitations on how long an implied warranty lasts, or the exclusion or limitation of incidental or consequential damages, so the above limitations may not apply to you. This warranty gives you specific legal rights, and you may also have other rights which vary from state to state.

U.S.A. Customers: Replacement canopies are available for purchase at www.Lowes.com

REPLACEMENT PARTS LIST

For replacement parts, call our customer service department at 1-866-439-9800, 8 a.m. - 8 p.m., EST, Monday - Friday.

PART	DESCRIPTION	PART #
AA	Short Bolt	S54
BB	Long Bolt	S55
CC	Medium Bolt	S56
DD	Bolt Nut	S57
EE	Hex Wrench	S58
FF	Wrench	S59



Printed in China

allen + roth® is a registered trademark of LF, LLC. All rights reserved.

Lowes.com/allenandroth **allen + roth**