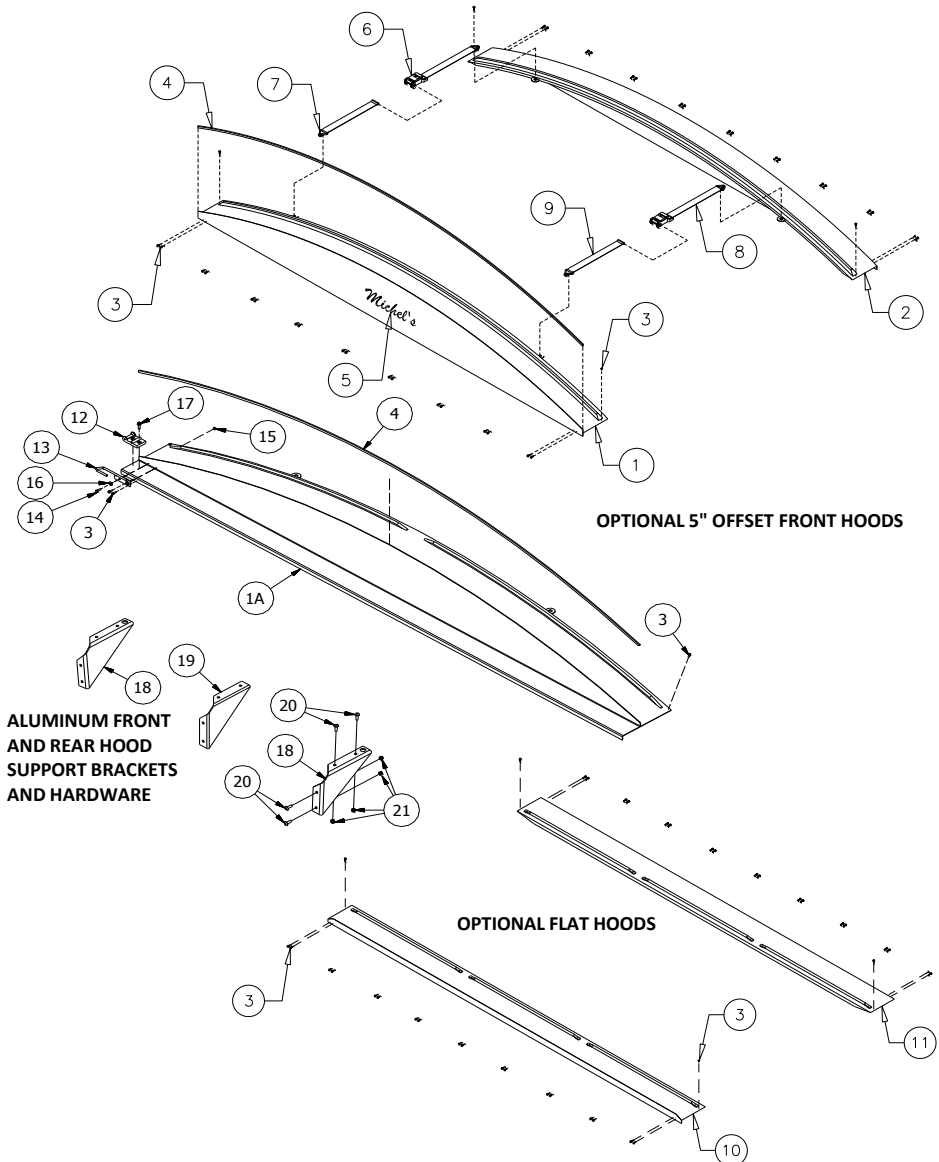


FRONT AND REAR HOOD ASSEMBLY (GRAIN CART)

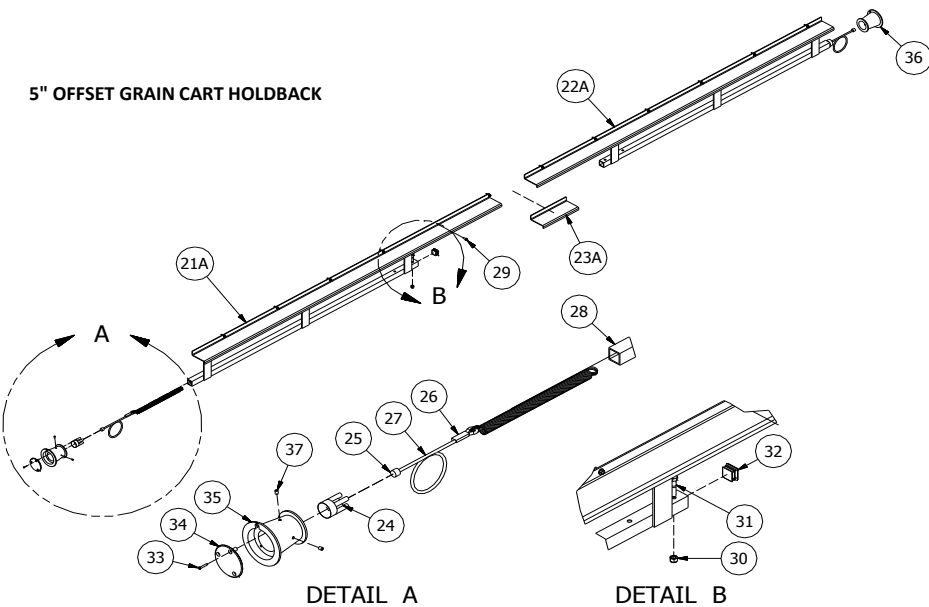
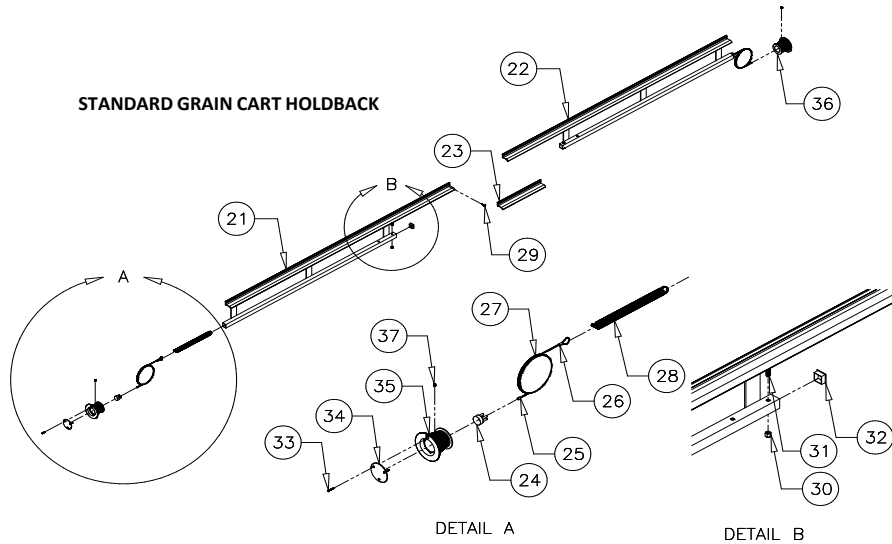
REF	PART#	DESCRIPTION	QTY	RETAIL
1	0001-014311	GRAIN CART STEEL FRONT HOOD	1	
1A	0001-014313	GRAIN CART 5" OFFSET STEEL FRONT HOOD	1	
2	0001-014312	GRAIN CART STEEL REAR HOOD	1	
N/A	0001-014901	GRAIN CART ALUMINUM FRONT HOOD	1	
N/A	0001-014903	GRAIN CART 5" OFFSET ALUMINUM FRONT HOOD	1	
N/A	0001-014902	GRAIN CART ALUMINUM REAR HOOD	1	
3	0106-000006	1/4" X 1" LAG SCREW	1	
4	0113-000014	FRONT HOOD MOULDING	FT	
5	0114-000014	MICHEL'S FRONT HOOD DECAL	1	
N/A	0114-000001	MICHEL'S REAR HOOD DECAL	1	
6	0111-000001	2" RATCHET	1	
7	0001-010018	2" RATCHET, 18" STRAP & "J" HOOK	1	
9	0001-010020	20" X 2" WIDE RIDGE POLE STRAP AND BAR HOOK	1	
10	0001-014601	GRAIN CART STEEL FLAT FRONT HOOD	1	
11	0001-014602	GRAIN CART STEEL FLAT REAR HOOD	1	
12	0113-000026	UNIVERSAL CABLE GUIDE	1	
13	0001-014001	ROLL TUBE LIFTER	1	
14	0105-000203	3/8" X 1-1/4" HEX BOLT	1	
15	0100-001102	3/8" NYLON LOCK NUT	1	
16	0101-001002	3/8" FLAT WASHER	1	
17	0106-000016	3/8" X 1-1/4" SELF THREADING BOLT	1	
18	0001-011403	GRAIN CART ALUMINUM HOOD BRACKET - STRAP	1	
19	0001-014904	GRAIN CART ALUMINUM HOOD BRACKET - MIDDLE	1	
20	0105-007102	5/16" X 1" TRUSS HEAD BOLT	1	
21	0100-001101	5/16" NYLOCK LOCK NUT	1	



WHEN ORDERING HOODS WE NEED THE OSM OF THE CART AND RISE OF THE CURRENT HOOD

HOLDBACK ASSEMBLY (GRAIN CART)

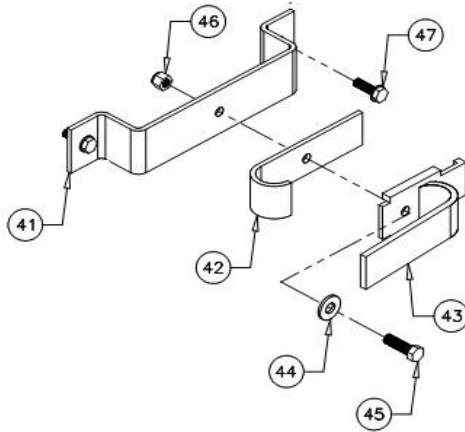
REF	PART#	DESCRIPTION	QTY	RETAIL
21	0001-020412	ALUMINUM HOLDBACK SHELL - FRONT	1	
22	0001-020461	ALUMINUM HOLDBACK SHELL - REAR	1	
N/A	0001-020411	COMPLETE ALUMINUM HOLDBACK - FRONT c/w REF#24-35&37	1	
N/A	0001-020460	COMPLETE ALUMINUM HOLDBACK - REAR c/w REF#24-34&36-37	1	
21A	0001-020402	5" OFFSET ALUMINUM HOLDBACK SHELL - FRONT	1	
22A	0001-020451	5" OFFSET ALUMINUM HOLDBACK SHELL - REAR	1	
N/A	0001-020401	COMPLETE 5" OFFSET ALUMINUM HOLDBACK - FRONT c/w REF#33	1	
N/A	0001-020450	COMPLETE 5" OFFSET ALUMINUM HOLDBACK - REAR c/w REF#34	1	
N/A	0001-020410	COMPLETE FRONT & REAR ALUMINUM HOLDBACK ASSEMBLY	1	
23	0151-900000A	SELECT ALUMINUM FILLER PLATE	FT	
23A	0001-020433	WIDE ALUMINUM FILLER PLATE 7"	1	
24	0113-000010	CABLE GUIDE NYLON INSERT	1	
25	0116-003100	CABLE STOP	1	
26	0116-003101	CABLE SLEEVE	1	
27	0001-020018	CABLE WITH ENDS (HAVE TO GIVE WIDTH OF CART)	1	
28	0117-001001	0.092" X 1" X 16.57" EXTENSION SPRING	1	
29	0106-000005	1/4" X 1" LAG SCREW	1	
30	0100-001102	3/8" NYLON LOCK NUT	1	
31	0105-000205	3/8" X 1-3/4" HEX BOLT	1	
32	0113-000000	1-1/4" SQUARE TUBE CAP	1	
33	0106-000004	#6 X 1" FLAT HEAD SOCKET SHEET METAL SCREW	1	
34	0001-020008	BEVELLED PULLEY END CAP c/w RE #33	1	
35	0001-020009	WIDE BEVELED CABLE PULLEY-FRONT STANDARD c/w REF#37	1	
36	0001-020010	WIDE BEVELED CABLE PULLEY-FRONT REVERSE c/w REF#37	1	
37	0104-000002	1/4" X 3/8" SET SCREW	1	



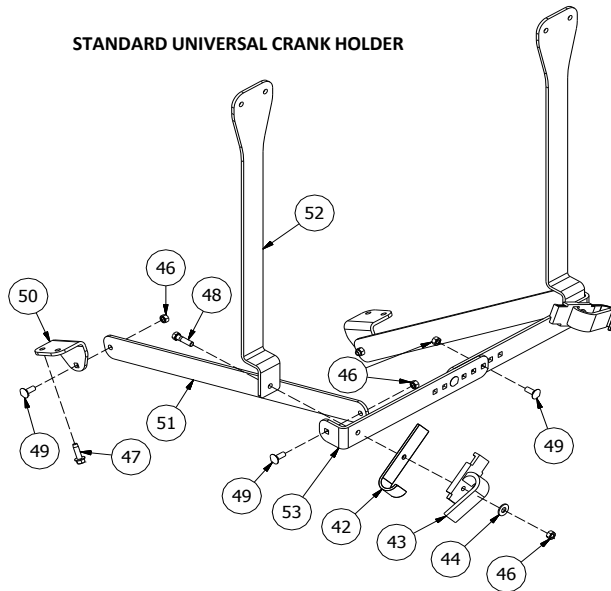
CRANK HOLDER ASSEMBLY (GRAIN CART)

REF	PART#	DESCRIPTION	QTY	RETAIL
41	0001-030001	2" X 10" CRANK HANDLE HOLDER BRACKET c/w REF #47	1	
42	0001-030004	STEEL CRANK LOCK	1	
43	0113-000005	CRANK LOCK RETAINER	1	
44	0101-001002	3/8" FLAT WASHER	1	
45	0105-000203	3/8" x 1-1/4" HEX BOLT	1	
46	0100-001102	3/8" NYLON LOCK NUT	1	
47	0106-000016	3/8" X 1-1/4" SELF THREADING BOLT	1	
N/A	0114-000006	FARM CRANK HANDLE HOLDER WARNING DECAL	1	
42-46	0001-030000	CRANK HANDLE HOLDER	1	
41-47	0001-030100	CRANK HANDLE HOLDER & 2" X 10" CRANK HANDLE HOLDER BRACKET	1	
STANDARD UNIVERSAL CRANK HOLDER				
48	0105-000204	3/8" X 1-1/2" HEX BOLT	1	
49	0105-009215	3/8" X 1" CARRIAGE HEAD BOLT	1	
50	0001-031404	HORIZONTAL MOUNTING BRACKET	1	
51	0001-031403	HORIZONTAL FLAT SUPPORT BRACKET	1	
52	0001-031402	MIDDLE SUPPORT BRACKET	1	
53	0001-031401	VERTICAL SUPPORT BRACKET	1	
42-44 & 46 53	0001-031400	UNIVERSAL CRANK HOLDER ASSEMBLY	1	

OPTIONAL CRANK HOLDER

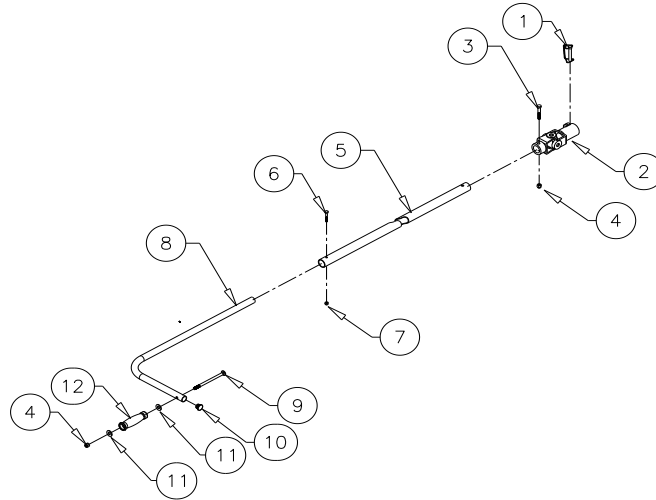


STANDARD UNIVERSAL CRANK HOLDER



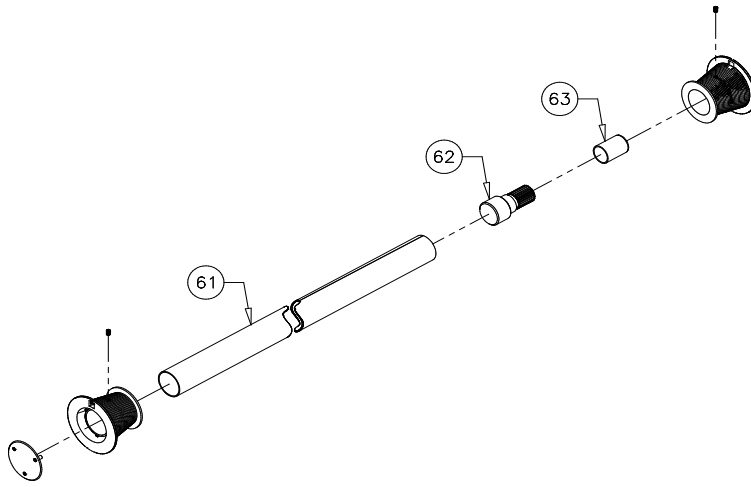
SWIVEL CRANK HANDLE ASSEMBLY (GRAIN CART)

REF	PART#	DESCRIPTION	QTY	RETAIL
1	0110-000007	3/8" X 2-1/2" QUICK PIN	1	
2	0001-040002	UNIVERSAL JOINT c/w REF #1	1	
3	0105-000208	3/8" X 2-1/2" HEX BOLT	1	
4	0100-001102	3/8" NYLON LOCK NUT	1	
5	0001-048001	8" CRANK SHAFT	1	
6	0105-000006	1/4" X 1-3/4" HEX BOLT	1	
7	0100-001100	1/4" NYLON LOCK NUT	1	
8	0001-040004	SWIVEL CRANK HANDLE c/w REF#10	1	
9	0105-009222	3/8" X 6" CARRIAGE BOLT	1	
10	0113-000020	1" CRANK HANDLE PLUG	1	
11	0101-001002	3/8" FLAT WASHER	1	
12	0113-000015	PLASTIC GRIP - SMALL HOLE	1	
1-5	0001-048002	8" CRANK SHAFT & UNIVERSAL JOINT	1	
8-12	0001-040003	SWIVEL CRANK HANDLE ASSEMBLY	1	
1-12	0001-048010	COMPLETE 8" SWIVEL CRANK ASSEMBLY	1	



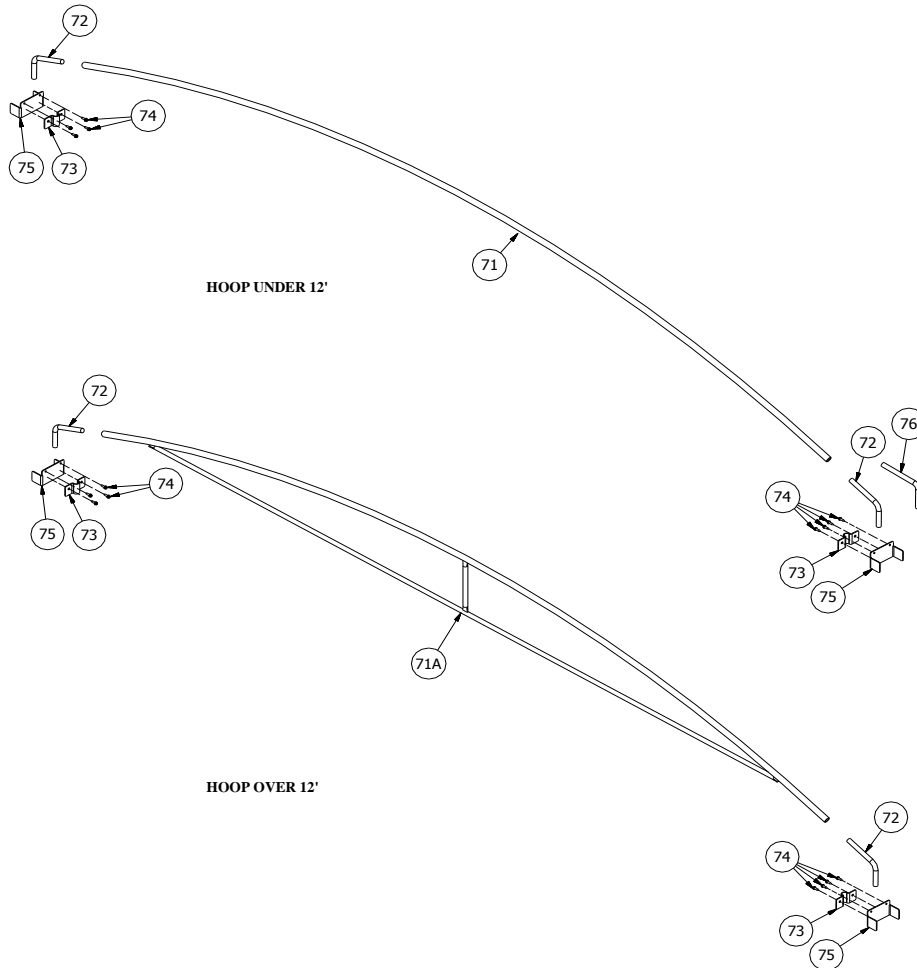
ROLLTUBE ASSEMBLY (GRAIN CART)

REF	PART#	DESCRIPTION	QTY	RETAIL
61	0150-001006B	ROLLTUBE ONLY	FT	
62	0161-001004	SPLINE	1	
63	0113-000021	SPLINE END CAP	1	
61-63	0001-0500**	ROLL TUBE c/w SPLINE (** IS THE LENGTH OF THE ROLL TUBE)	FT	



HOOP ASSEMBLY (GRAIN CART)

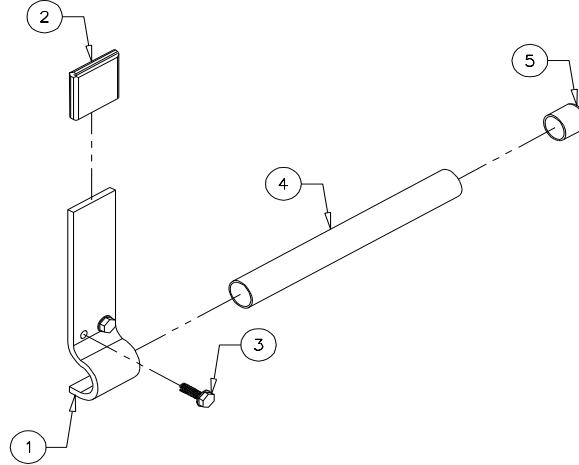
REF	PART#	DESCRIPTION	QTY	RETAIL
71	0001-060203	GRAIN CART HOOP - UNDER 12' - SPECIFY RISE WHEN ORDERING	1	
71A	0001-060209	GRAIN CART HOOP - OVER 12' - COMES WITH TRUSS SUPPORT	1	
72	0001-060207	BENT ANGLE	1	
73	0001-060002	HOOP HOLDER c/w 1/4" X 1" LAG SCREWS	1	
74	0106-000005	1/4" x 1" LAG SCREW	1	
75	0001-060204	2" HOOP HOLDER STANDOFF	1	
76	0001-060001GC	90 DEGREE GRAIN CART BENT ANGLES FOR 3" RISE (FLAT HOODS)	1	



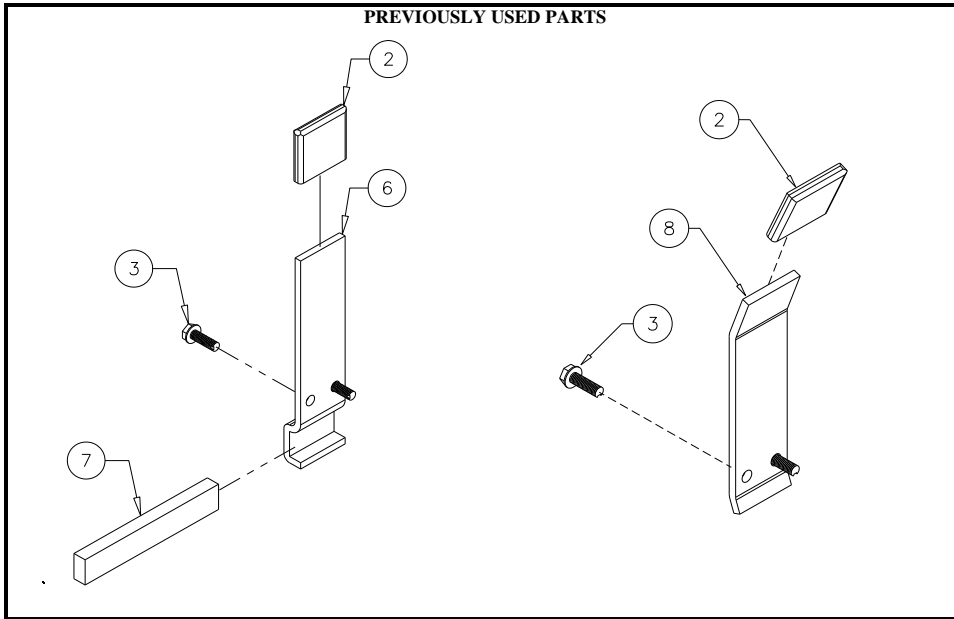
NOTE: MUST SPECIFY RISE OF HOOP WHEN ORDERING
FLAT HOODS REQUIRE A 3" RISE HOOP

ROUND TARP STOP ASSEMBLY (GRAIN CART)

REF	PART #	DESCRIPTION	QTY	RETAIL
1+2	0001-070200	ROUND TARP STOP c/w PROTECTOR	1	
2	0113-000022	TARP STOP PROTECTOR	1	
3	0106-000016	3/8" X 1-1/4" SELF THREADING BOLT	1	
4	0150-001008	1-1/8" GALVANIZED PIPE	FT	
5	0113-000018	1-1/8" PIPE CAP	1	
PREVIOUSLY USED PARTS				
6	0001-070100	TARP STOP QUARE c/w REF # 2-3	1	
7	N/A	ALUMINUM BAR	FT	
8	0001-070800	TARP STOP - FIBREGLASS FLAT c/w REF # 2-3	1	
N/A	0001-070006	ROUND PIPE HOLDER (JUNIOR TARP STOP)	1	

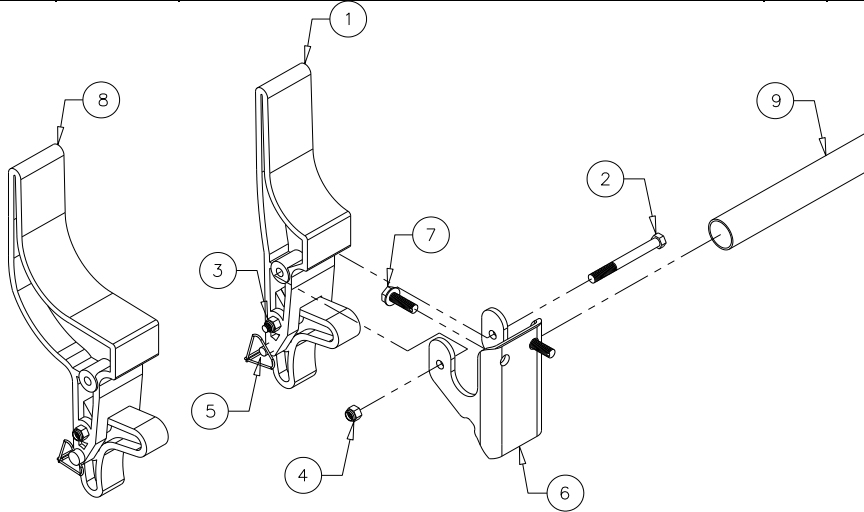


PREVIOUSLY USED PARTS

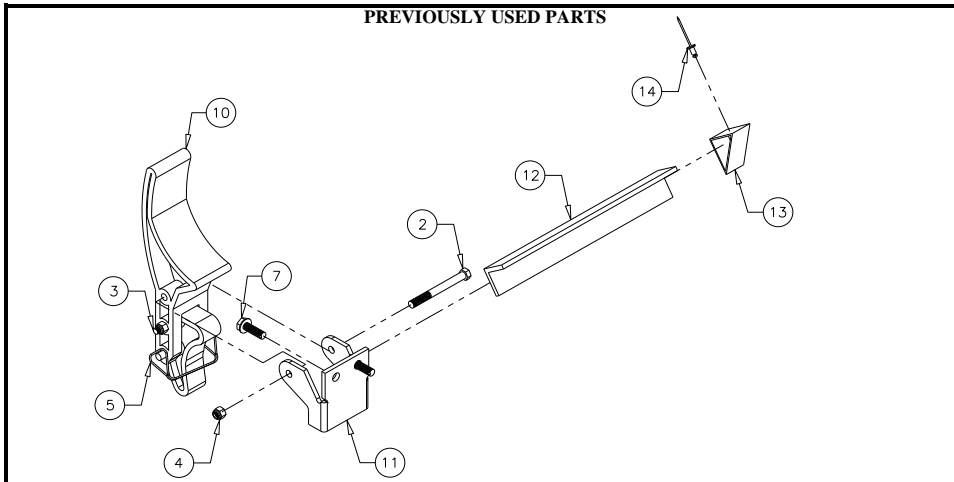


FLIP - RELEASE TARP STOP ASSEMBLY

REF	PART #	DESCRIPTION	QTY	RETAIL
1	0001-070301	3" ROUND PIPE FLIP RELEASE TARP STOP c/w REF #2-5	1	
2	0105-000111	5/16" X 3-1/4" HEX BOLT	1	
3	0105-000108	5/16" X 2-1/2" HEX BOLT	1	
4	0100-001101	5/16" NYLON LOCK NUT	1	
5	0110-000008	1/4" X 2-1/2" QUICK PIN	1	
6	0001-070002	ROUND PIPR BRACKET c/w REF # 7	1	
7	0106-000016	3/8" X 1-1/4" SELF THREADING BOLT	1	
1-7	0001-070300	3" ROUND PIPE FLIP RELEASE TARP STOP & BRACKET	1	
8	0001-070601	6" ROUND PIPE FLIP RELEASE TARP STOP c/w REF # 2-5	1	
2-8	0001-070600	6" ROUND PIPE FLIP RELEASE TARP STOP & BRACKET	1	
9	0150-001008	1-1/8" GALVANIZED PIPE	FT	
PREVIOUSLY USED PARTS				
10	0001-070401	ANGLE FLIP RELEASE TARP STOP c/w REF # 2-5	1	
11	0001-070001	ANGLE FLIP RELEASE TARP STOP BRACKET c/w REF #7	1	
12	0151-006000	1-1/4" ALUMINUM ANGLE	FT	
13	0113-000009	1-1/4" ALUMINUM ANGLE END CAP	1	
14	0103-000004	3/16" POP RIVET	1	
2-7+10-11	0001-070400	ANGLE FLIP RELRASE TARP STOP \$ BRACKET	1	



PREVIOUSLY USED PARTS



REPLACEMENT MATERIAL AND COMPONENTS (GRAIN CART)

REF	PART #	DESCRIPTION	QTY	RETAIL
111	0001-081901	19 OZ. PVC MATERIAL	LIN.FT	
N/A	0001-082205	22 OZ. PVC MATERIAL	LIN.FT	
112	0150-002007	1/2" STEEL CENTRE ROD	FT	
113	0113-000024	1/2" CENTRE ROD END CAP	1	
114	0113-001000	FIBREGLASS FLAT	FT	
115	0103-000004	3/16" POP RIVET	1	
116	0001-080003	REINFORCEMENTS (OPTIONAL)	1	

