



PRODUCT SPECIFICATIONS

Bulletin No. 210563
August 2013
Supersedes June 2013

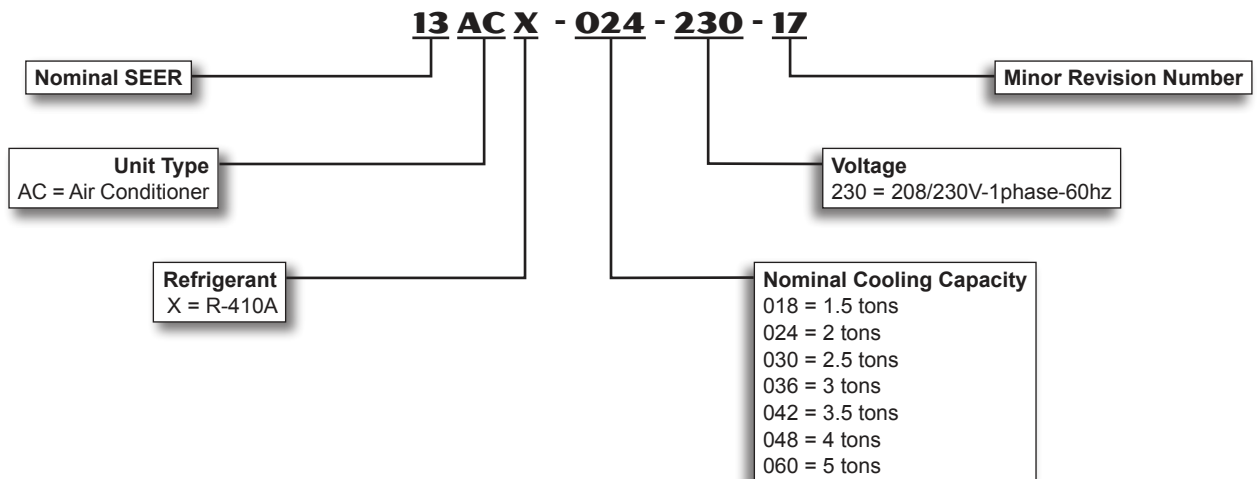


SEER up to 16.00

1.5 to 5 Tons

Cooling Capacity - 18,000 to 59,000 Btuh

MODEL NUMBER IDENTIFICATION



FEATURES

CONTENTS

AHRI System Matches.....	10
Dimensions.....	7
Electrical Data.....	6
Features.....	2
Field Wiring.....	8
Installation Clearances.....	8
Model Number Identification.....	1
Optional Accessories.....	6
Sound Data.....	8
Specifications.....	6

EQUIPMENT WARRANTY

Compressor - limited warranty for five years in residential installations and five years in non-residential installations.

All other covered components - five years in residential installations and one year in non-residential installations.

Refer to Lennox Equipment Limited Warranty certificate included with unit for specific details.

APPLICATIONS

SEER up to 16.00.

1.5 through 5 ton.

Single-phase power supply.

Sound levels as low as 76 dB.

Vertical air discharge allows concealment behind shrubs at grade level or out of sight on a roof.

Matching add-on furnace indoor coils or air handlers provide a wide range of cooling capacities and applications. See AHRI System Matches.

See Indoor Coils and Air Handlers sections for data.

Units shipped completely factory assembled, piped and wired. Each unit test operated at the factory ensuring proper operation.

Installer must set air conditioner, connect refrigerant lines and make electrical connections to complete job.

APPROVALS

AHRI Certified to AHRI Standard 210/240-2008.

Sound rated in Lennox reverberant sound test room in Accordance with test conditions included in AHRI Standard 270-2008.

Tested in the Lennox Research Laboratory environmental test room.

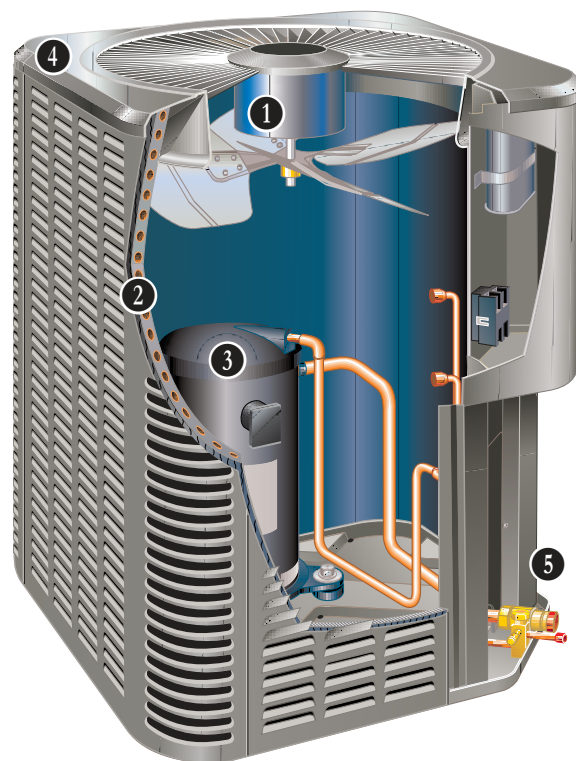
Rated According to U.S. Department of Energy (DOE) test procedures.

Units and components within bonded for grounding to meet safety standards for servicing required by UL, NEC and CEC.

Units are ETL certified for the U.S. and Canada.

ISO 9001 Registered Manufacturing Quality System.

For expanded ratings, see www.lennox.com.



REFRIGERATION SYSTEM

R-410A Refrigerant

Non-chlorine, ozone friendly, R-410A.

Unit pre-charged with refrigerant.

See Specification table.



1 Condenser Fan

Direct drive fan moves large air volumes uniformly through entire condenser coil for high refrigerant cooling capacity.

Vertical air discharge minimizes operating sounds and eliminates damage to lawn and shrubs.

Fan motor has sleeve bearings and is inherently protected.

Motor totally enclosed for maximum protection from weather, dust and corrosion.

Rain shield on motor provides additional protection from moisture.

Louvered steel top fan guard furnished as standard.

Fan service access accomplished by removal of top panel.

FEATURES

REFRIGERATION SYSTEM (continued)

② Copper Tube/Enhanced Fin Coil

Lennox designed and fabricated coil.

Ripple-edged aluminum fins.

Copper tube construction.

Lanced fins provide maximum exposure of fin surface to air stream resulting in excellent heat transfer.

Fin collars grip tubing for maximum contact area.

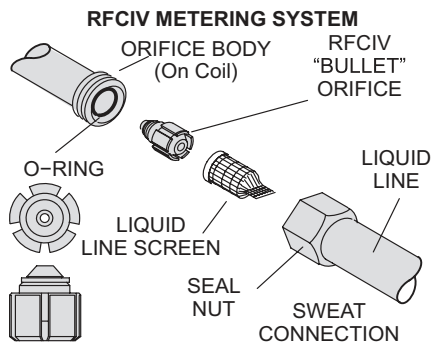
Flared shoulder tubing connections/silver soldering construction.

Coil is factory tested under high pressure to ensure leakproof construction.

Steel louvered panels provide complete coil protection.

Panels can be completely removed for servicing.

Refrigerant Flow Control



Units applicable to expansion valve systems or RFC systems when matched with specific indoor coils.

RFCIV:

Accurately meters refrigerant in system.

Refrigerant control is accomplished by exact sizing of refrigerant metering orifice.

The principle involves matching indoor coil with proper bore size of orifice in metering device.

Equalizes pressure shortly after compressor stops, unit starts unloaded, eliminating need for additional controls.

Furnished with air conditioner.

High Capacity Liquid Line Drier

Furnished with unit for field installation.

Approved for use with R-410A systems.

Traps any moisture or dirt that could contaminate the refrigerant system.

High Pressure Switch

Shuts off unit if abnormal operating conditions cause the discharge pressure to rise above setting.

Protects compressor from excessive condensing pressure.

Manual reset.

Optional Accessories

Expansion Valve Kits

Must be ordered extra and field installed on certain indoor units. See TXV/Orifice Usage table.

Chatleff-style fittings.

Freezestat

Installs on or near the vapor line of the indoor coil or on the suction line.

Senses suction line temperature and cycles the compressor off when suction line temperature falls below its setpoint.

Opens at 29°F and closes at 58°F.

Loss of Charge Switch Kit

Helps protect the compressor from damage due low refrigerant charge conditions.

SPST, normally-closed switch, automatic reset switch mounted on suction line.

Refrigerant Line Kits

Refrigerant lines (suction & liquid) are shipped refrigeration clean. Lines are cleaned, dried, pressurized and sealed at factory.

Suction line fully insulated.

Lines are stubbed at both ends.

FEATURES

COMPRESSOR

3 Scroll Compressor

Compressor features high efficiency with uniform suction flow, constant discharge flow, high volumetric efficiency and quiet operation.

Compressor consists of two involute spiral scrolls matched together to generate a series of crescent shaped gas pockets between them.

During compression, one scroll remains stationary while the other scroll orbits around it.

Gas is drawn into the outer pocket, the pocket is sealed as the scroll rotates.

As the spiral movement continues, gas pockets are pushed to the center of the scrolls. Volume between the pockets is simultaneously reduced.

When the pocket reaches the center, gas is now at high pressure and is forced out of a port located in the center of the fixed scrolls.

During compression, several pockets are compressed simultaneously resulting in a smooth continuous compression cycle.

Continuous flank contact, maintained by centrifugal force, minimizes gas leakage and maximizes efficiency.

Scroll compressor is tolerant to the effects of slugging and contaminants. If this occurs, scrolls separate, allowing liquid or contaminants to be worked toward the center and discharged.

Low gas pulses during compression reduces operational sound levels.

Compressor motor is internally protected from excessive current and temperature.

Compressor is installed in the unit on resilient rubber mounts for vibration free operation.



CONTROLS

Optional Accessories

Compressor Hard Start Kit

Single-phase units are equipped with a PSC compressor motor. This type of motor normally doesn't need a potential relay and start capacitor.

In conditions such as low voltage, this kit may be required to increase the compressor starting torque.

Compressor Low Ambient Cut-Off

Non-adjustable switch (low ambient cut-out) prevents compressor operation when outdoor temperature is below 35°F.

Compressor Time-Off Control

Kit prevents compressor short-cycling and allows time for suction and discharge pressure to equalize.

Permits compressor start-up in an unloaded condition.

Automatic reset with 5 minute delay between compressor shut-off and start-up.

Indoor Blower Off Delay Relay

Delays the indoor blower-off time during the cooling cycle.

See AHRI System Matches for usage.

Low Ambient Kit

Air conditioners operate satisfactorily in the cooling mode down to 45°F outdoor air temperature without any additional controls.

Kit can be added in the field enabling unit to operate properly down to 30°F in the cooling mode.

Crankcase heater and freezestat should be installed on compressors equipped with a low ambient kit.

A compressor lock-out thermostat should be added to terminate compressor operation below recommended operation conditions.

Thermostat

Thermostat not furnished with unit. See Thermostat bulletins in Controls Section and Lennox Price Book.

Timed-Off Control

Kit prevents compressor short-cycling and allows time for suction and discharge pressure to equalize.

Permits compressor start-up in an unloaded condition.

Automatic reset with 5 minute delay between compressor shut-off and start-up.

Optional Accessories

Compressor Crankcase Heater

Protects against refrigerant migration that can occur during low ambient operation.

Compressor Sound Cover

A reinforced vinyl compressor cover containing a 1-1/2 inch thick batt of fiberglass insulation.

All open edges are sealed with a one-inch wide hook and loop fastening tape.

FEATURES

CABINET

- 4 Heavy gauge steel cabinet with five station metal wash process.
- Louvered heavy gauge steel panels surround unit on all four sides to prevent damage to the coil.
- Powder paint finish provides superior rust and corrosion protection.
- Durable zinc-coated base section.
- Control box is conveniently located with all controls factory wired.
- Corner patch plate allows access to compressor components.
- Drainage holes are provided in base section for moisture removal.

5 Refrigerant Line Connections, Electrical Inlets, Service Valves

- Sweat connection suction and liquid lines are located on corner of unit cabinet.
- Fully serviceable brass service valves prevent corrosion and provide access to refrigerant system. Suction valve can be fully shut off, while liquid valve may be front seated to manage refrigerant charge while servicing system.
- Refrigerant line connections and field wiring inlets are located in one central area of cabinet for easy access. See dimension drawing.

Optional Accessories

Mounting Base

- Provides permanent foundation for outdoor units.
- High density polyethylene structural material is lightweight, sturdy, sound absorbing and will withstand the rigors of the sun, heat, cold, moisture, oil and refrigerant. Will not mildew or rot.
- Can be shipped singly or in packages of 6 to a carton.

Unit Stand-Off Kit

- Black high density polyethylene feet are available to raise unit off of mounting surface away from damaging moisture.
- Four feet are furnished per order number.

SPECIFICATIONS

General Data		Model No.	13ACX-018	13ACX-024	13ACX-030	13ACX-036	13ACX-042	13ACX-048	13ACX-060
Nominal Tonnage			1.5	2	2.5	3	3.5	4	5
Connections (sweat)	Liquid line o.d. - in.		3/8	3/8	3/8	3/8	3/8	3/8	3/8
	Suction line o.d. - in.		5/8	5/8	3/4	3/4	3/4	7/8	7/8
¹ Refrigerant (R-410A) furnished			3 lbs. 15 oz.	3 lbs. 15 oz.	5 lbs. 2 oz.	5 lbs. 4 oz.	6 lbs. 8 oz.	7 lbs. 12 oz.	9 lbs. 0 oz.
RFCIV Metering Orifice Size			0.051	0.057	0.065	0.072	0.076	0.082	0.090
Outdoor Coil	Net face area sq. ft.	Outer coil	11.33	11.33	13.22	13.22	16.33	18.67	16.33
		Inner coil	---	---	---	---	---	---	15.71
	Tube diameter - in.	5/16	5/16	5/16	5/16	5/16	5/16	5/16	5/16
	Number of rows	1	1	1	1	1	1	1	2
	Fins per inch	26	26	26	26	26	26	26	22
Outdoor Fan	Diameter - in.		18	18	18	18	22	22	22
	Number of blades		3	3	4	4	4	4	4
	Motor hp		1/10	1/10	1/5	1/5	1/4	1/4	1/4
	Cfm		2350	2350	2400	2400	3500	3670	3600
	Rpm		1010	1010	1090	1090	825	835	830
	Watts		165	165	185	185	300	295	285
Shipping Data - lbs. 1 package			138	138	144	151	188	195	218

ELECTRICAL DATA

Line voltage data - 60 hz - 1ph		208/230V	208/230V	208/230V	208/230V	208/230V	208/230V	208/230V
² Maximum overcurrent protection (amps)		20	30	30	35	45	50	60
³ Minimum circuit ampacity		12.0	17.6	18.7	22.0	28.1	31.9	34.6
Compressor	Rated load amps	9.0	13.5	14.1	16.7	21.2	24.2	26.3
	Locked rotor amps	48	58.3	73	70	90	100	125
	Power factor	0.98	0.98	0.98	0.99	0.99	0.99	0.99
Condenser Fan Motor	Full load amps	0.7	0.7	1.1	1.1	1.7	1.7	1.7
	Locked rotor amps	1.3	1.3	2.0	2.0	3.2	3.2	3.2

OPTIONAL ACCESSORIES - ORDER SEPARATELY

Compressor Crankcase Heater	93M04	•	•	•	•			
	93M05					•	•	•
Compressor Hard Start Kit	10J42	•						
	88M91		•	•	•	•	•	•
Compressor Low Ambient Cut-Off	45F08	•	•	•	•	•	•	•
Compressor Sound Cover	69J03	•	•	•	•	•	•	•
Compressor Time-Off Control	47J27	•	•	•	•	•	•	•
Freezestat	3/8 in. tubing	93G35	•	•	•	•	•	•
	5/8 in. tubing	50A93	•	•	•	•	•	•
Indoor Blower Off Delay Relay	58M81	•	•	•	•	•	•	•
Loss of Charge Switch Kit	84M23	•	•	•	•	•	•	•
⁴ Low Ambient Kit	34M72	•	•	•	•	•	•	•
Mounting Base	69J06	•	•	•	•			
	69J07					•	•	•
Refrigerant Line Sets	L15-41-20, L15-41-30, L15-41-40, L15-41-50	•	•	•	•			
	L15-65-30, L15-65-40, L15-65-50					•	•	•
Unit Stand-Off Kit	94J45	•	•	•	•	•	•	•

NOTE - Extremes of operating range are plus 10% and minus 5% of line voltage.

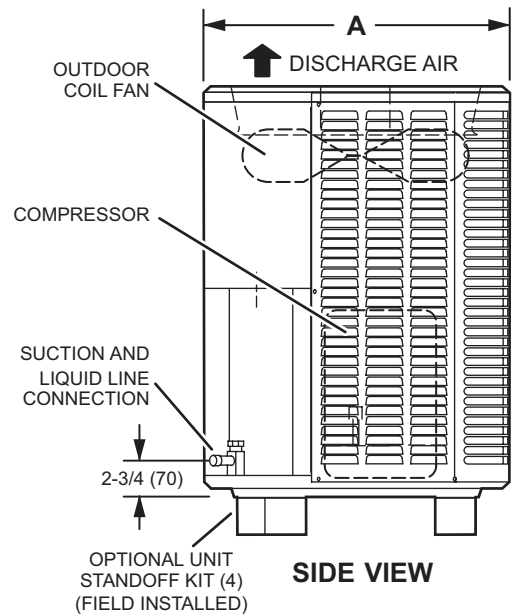
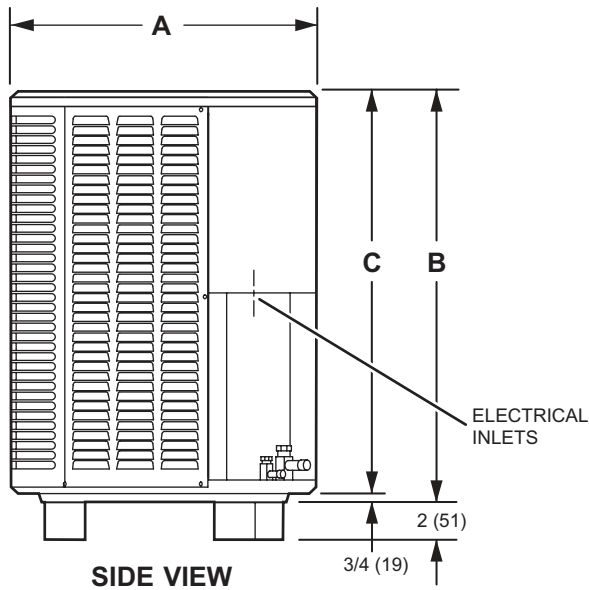
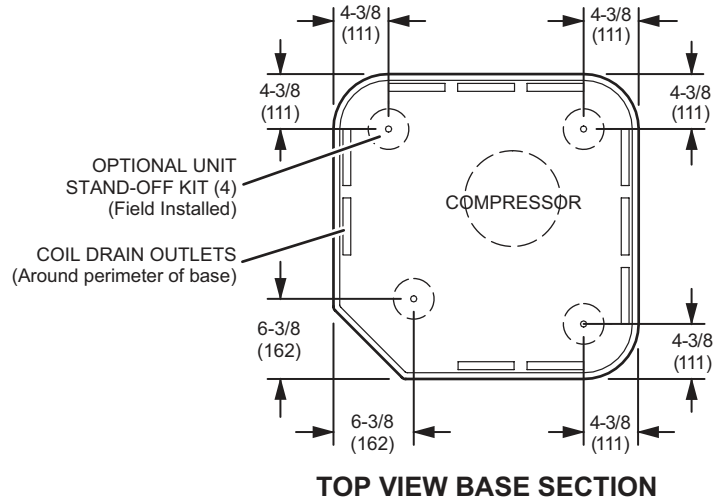
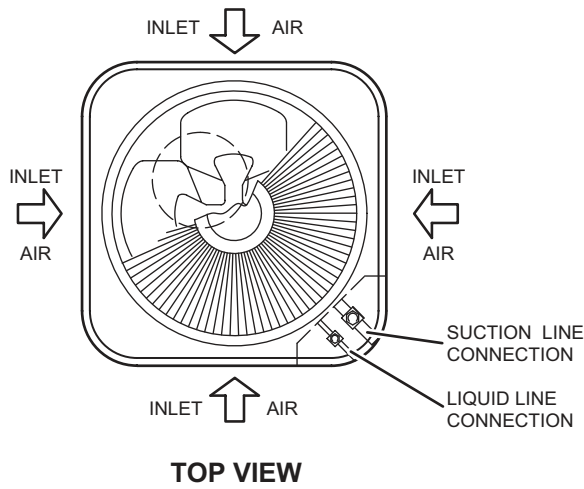
¹ Refrigerant charge sufficient for 15 ft. length of refrigerant lines. For longer line set requirements see the Installation Instructions for information about line set length and additional refrigerant charge required.

² HACR type circuit breaker or fuse.

³ Refer to National or Canadian Electrical Code manual to determine wire, fuse and disconnect size requirements.

⁴ Crankcase Heater and Freezestat are recommended with Low Ambient Kit.

DIMENSIONS - INCHES (MM)



Model No.	A		B		C	
	inches	mm	inches	mm	inches	mm
13ACX-018	24-1/4	616	25-1/4	641	24-1/4	616
13ACX-024	24-1/4	616	25-1/4	641	24-1/4	616
13ACX-030	24-1/4	616	29-1/4	743	28-1/2	724
13ACX-036	24-1/4	616	29-1/4	743	28-1/2	724
13ACX-042	28-1/4	718	29-1/4	743	28-1/2	724
13ACX-048	28-1/4	718	33-1/4	845	32-1/2	826
13ACX-060	28-1/4	718	29-1/4	743	28-1/2	724

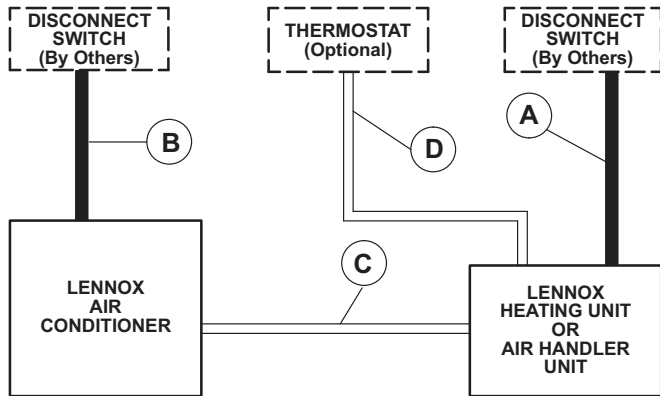
SOUND DATA

¹ Unit Model No.	Octave Band Linear Sound Power Levels dB, re 10 ⁻¹² Watts Center Frequency - HZ							¹ Sound Rating Number (dB)
	125	250	500	1000	2000	4000	8000	
13ACX-018	53	60	64.5	68.5	67	61.5	54.5	76
13ACX-024	51.5	62	64.5	68.5	67	60.5	53.5	76
13ACX-030	52.5	62	67.5	69	67	61.5	54.5	76
13ACX-036	52.5	61	67	69	67	61.5	52.5	76
13ACX-042	58	68	73.5	75.5	74	69.5	62.5	79
13ACX-048	57.5	67	73	74.5	71	64	58.5	79
13ACX-060	57	63	69.5	71.5	71	65.5	60.5	79

NOTE - the octave sound power data does not include tonal correction.

¹ Tested according to AHRI Standard 270-2008 test conditions.

FIELD WIRING

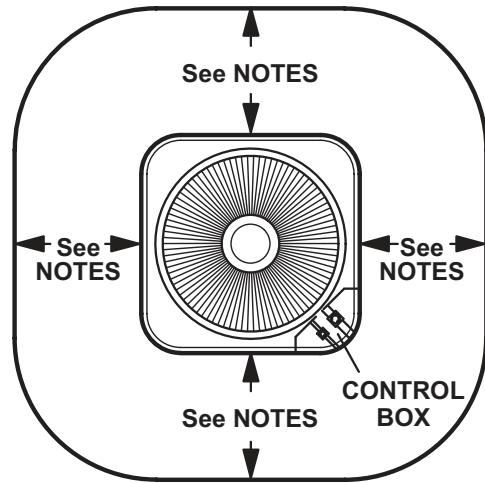


- A - Two Wire Power
- B - Two Wire Power (See Electrical Data)
- C - Two Wire Low Voltage (18 ga. minimum)
- D - Four Wire Low Voltage (Electro-Mechanical) 18 ga. minimum.
Five Wire Low Voltage (Electronic) 18 ga. minimum

NOTE - Field Wiring Not Furnished

All wiring must conform to NEC or CEC and local electrical codes.

INSTALLATION CLEARANCES - IN. (MM)



NOTES:

- Service clearance of 30 in. (762 mm) must be maintained on one of the sides adjacent to the control box.
- Clearance to one of the other three sides must be 36 in. (914 mm)
- Clearance to one of the remaining two sides may be 12 in. (305 mm) and the final side may be 6 in. (152 mm).
- A clearance of 24 in. must be maintained between two units.
- 48 in. (1219 mm) clearance required on top of unit.

TXV/ORIFICE USAGE

Model No.	Refrigerant Metering Orifice (RFC)		Thermal Expansion Valve (TXV)
	Order No.	Orifice Size	
13ACX-018	10W93	0.051	37L51
13ACX-024	97M75	0.057	37L51
13ACX-030	10W99	0.065	37L51
13ACX-036	98M13	0.070	37L51
13ACX-042	97M78	0.076	39L72
13ACX-048	97M79	0.082	91M02
13ACX-060	10W89	0.090	91M02

CX34 upflow coils and all Lennox air handlers are shipped with a factory installed TXV. In most cases, no change out of the valve is needed.

If a change out is required it will be listed in the "TXV SUBSTITUTIONS" table. The correct TXV must be ordered separately and field installed.

C33 and CH33 coils - Use the orifice shipped with the outdoor unit or replace the factory installed orifice with the expansion valve listed.

CR33 and CH23 coils - Use the orifice shipped with the outdoor unit or use the expansion valve listed.

MOST POPULAR MATCHES

Outdoor Unit Model No.	Indoor Unit Model No
13ACX-018	CX34-18/24
13ACX-024	CX34-30
13ACX-030	CX34-30
13ACX-036	CX34-38
13ACX-042	CX34-43
13ACX-048	CX34-49
13ACX-060	CX34-49

AHRI STANDARD 210/240

Cooling or heating capacities are net values, including the effects of blower motor heat, and do not include supplementary heat. Power input is the total power input to the compressor(s) and fan(s), plus any controls and other items required as part of the system for normal operation.

*TXV SUBSTITUTIONS

Indoor Coils/Air Handlers with factory installed expansion valves that require field replacement

Model No.	Indoor Coil or Air Handler	Factory TXV	Replacement TXV
13ACX-030	CX34-42	49L25	37L51
13ACX-030	CX34-43	49L25	37L51
13ACX-030	CX34-44/48	49L25	37L51
13ACX-036	CX34-43	49L25	37L51
13ACX-036	CX34-44/48	49L25	37L51
13ACX-036	CX34-50/60	91M02	37L51
13ACX-036	CBX25UH-042	91M02	37L51
13ACX-036	CBX27UH-042	91M02	37L51
13ACX-036	CBX32M-042	91M02	37L51
13ACX-036	CBX32M-048	91M02	37L51
13ACX-036	CBX32MV-048	91M02	37L51
13ACX-036	CBX40UHV-042	91M02	37L51
13ACX-036	CBX40UHV-048	91M02	37L51
13ACX-042	CBX32M-036	49L24	39L72

*CX34 coils and all air handlers - The factory installed expansion valve must be replaced with the expansion valve listed (ordered separately).

If the combination is not listed above, the factory installed TXV is used.

Units which do not have an indoor air-circulating blower furnished as part of the model, i.e., split system with indoor coil only, is established by subtracting from the total cooling capacity 1250 Btu/h per 1,000 cfm, and by adding the same amount to the heating capacity. Total power input for both heating and cooling is increased by 365 W per 1,000 cfm of indoor air circulated.

AHRI SYSTEM MATCHES

NOTE - For the latest up-to-date system matches please visit the AHRI web site at <http://www.ahridirectory.org>

Model No.	Expansion Device	Capacity	SEER	EER	Coil or Air Handler	Furnace	AHRI Reference
13ACX-018-230	RFC	18,600	13.00	11.00	C33-19		5548584
13ACX-018-230	RFC	18,800	13.00	11.00	C33-25		5548592
13ACX-018-230	RFC	18,400	13.00	11.00	C33-30		5548595
13ACX-018-230	RFC	19,000	13.00	11.00	C33-31		5548596
13ACX-018-230	RFC	18,500	13.00	11.00	CH33-19		5548608
13ACX-018-230	RFC	18,400	13.00	11.00	CH33-24/30		5548611
13ACX-018-230	RFC	18,900	13.00	11.50	CH33-25		5548614
13ACX-018-230	RFC	18,300	13.00	11.00	CR33-18		5548617
13ACX-018-230	RFC	18,000	13.00	11.00	CR33-24		5548619
13ACX-018-230	RFC	19,000	14.00	11.50	CR33-30/36		5548621
13ACX-018-230	TXV	18,600	13.00	11.00	C33-19		5549096
13ACX-018-230	TXV	19,200	15.00	12.50	C33-19	EL180UH045E36A	5733842
13ACX-018-230	TXV	19,200	15.00	12.50	C33-19	EL180UH045XE36A	5734125
13ACX-018-230	TXV	19,200	15.00	12.50	C33-19	ML180UH045E36A	5548585
13ACX-018-230	TXV	19,200	15.00	12.50	C33-19	ML180UH045XE36A	5548586
13ACX-018-230	TXV	18,100	13.00	11.00	C33-24		5548589
13ACX-018-230	TXV	18,500	14.50	12.00	C33-24	EL180UH045E36A	5733843
13ACX-018-230	TXV	18,800	14.50	12.00	C33-24	EL180UH045XE36A	5734126
13ACX-018-230	TXV	18,500	14.50	12.00	C33-24	ML180UH045E36A	5548587
13ACX-018-230	TXV	18,800	14.50	12.00	C33-24	ML180UH045XE36A	5548588
13ACX-018-230	TXV	18,800	13.00	11.00	C33-25		5549097
13ACX-018-230	TXV	19,400	15.00	13.00	C33-25	EL180UH045E36A	5733844
13ACX-018-230	TXV	19,400	15.00	13.00	C33-25	EL180UH045XE36A	5734127
13ACX-018-230	TXV	19,400	15.00	13.00	C33-25	ML180UH045E36A	5548590
13ACX-018-230	TXV	19,400	15.00	13.00	C33-25	ML180UH045XE36A	5548591
13ACX-018-230	TXV	19,000	15.00	12.50	C33-30	EL180UH045E36A	5733845
13ACX-018-230	TXV	19,000	15.00	12.50	C33-30	EL180UH045XE36A	5734128
13ACX-018-230	TXV	19,000	15.00	12.50	C33-30	ML180UH045E36A	5548593
13ACX-018-230	TXV	19,000	15.00	12.50	C33-30	ML180UH045XE36A	5548594
13ACX-018-230	TXV	19,000	13.00	11.00	C33-31		5550109
13ACX-018-230	TXV	19,500	15.00	13.00	C33-31	EL180UH045E36A	5733846
13ACX-018-230	TXV	19,500	15.00	13.00	C33-31	EL180UH045XE36A	5734129
13ACX-018-230	TXV	19,500	15.00	13.00	C33-31	ML180UH045E36A	5548597
13ACX-018-230	TXV	19,500	15.00	13.00	C33-31	ML180UH045XE36A	5548598
13ACX-018-230	TXV	18,600	13.00	11.00	CBX25UH-018		5732776
13ACX-018-230	TXV	18,800	14.00	11.50	CBX26UH-018		5548604
13ACX-018-230	TXV	19,300	15.00	13.00	CBX27UH-018		5548602
13ACX-018-230	TXV	19,300	15.00	13.00	CBX27UH-024		5548605
13ACX-018-230	TXV	18,800	13.00	11.00	CBX32M-018/024		5548606
13ACX-018-230	TXV	19,100	14.00	12.00	CBX32M-030		5548607
13ACX-018-230	TXV	18,500	13.00	11.00	CH33-19		5549098
13ACX-018-230	TXV	19,000	14.50	12.50	CH33-19	EL180UH045E36A	5733849
13ACX-018-230	TXV	19,000	15.00	12.50	CH33-19	EL180UH045XE36A	5734132
13ACX-018-230	TXV	19,000	14.50	12.50	CH33-19	ML180UH045E36A	5548609
13ACX-018-230	TXV	19,000	15.00	12.50	CH33-19	ML180UH045XE36A	5548610
13ACX-018-230	TXV	18,400	13.00	11.00	CH33-24/30		5549099
13ACX-018-230	TXV	19,000	15.00	12.50	CH33-24/30	EL180UH045E36A	5733850
13ACX-018-230	TXV	19,000	15.00	12.50	CH33-24/30	EL180UH045XE36A	5734130
13ACX-018-230	TXV	19,000	15.00	12.50	CH33-24/30	ML180UH045E36A	5548612

NOTES:

TXV = Matched with Thermostatic Expansion Valve.

RFC = Matched with RFC metering device.

AHRI certified to AHRI Standard 210/240 (with 25 ft. of connecting refrigerant lines); 95°F outdoor air temperature, 80°F db / 67°F wb entering evaporator air.

All ratings include the use of a blower time delay relay (TDR). All Lennox variable-speed furnaces and Air Handlers have time delay capabilities. Other Furnaces and Air Handlers may require an optional time delay relay (**58M81**) for field installation. See furnace or air handler specifications to determine if relay is needed.

Also see Expansion Valve Kit Usage Table.

AHRI SYSTEM MATCHES

NOTE - For the latest up-to-date system matches please visit the AHRI web site at <http://www.ahridirectory.org>

Model No.	Expansion Device	Capacity	SEER	EER	Coil or Air Handler	Furnace	AHRI Reference
13ACX-018-230	TXV	19,000	15.00	12.50	CH33-24/30	ML180UH045XE36A	5548613
13ACX-018-230	TXV	19,400	15.00	12.50	CH33-25	EL180UH045E36A	5733847
13ACX-018-230	TXV	19,400	15.00	12.50	CH33-25	EL180UH045XE36A	5734131
13ACX-018-230	TXV	19,400	15.00	12.50	CH33-25	ML180UH045E36A	5548615
13ACX-018-230	TXV	19,400	15.00	12.50	CH33-25	ML180UH045XE36A	5548616
13ACX-018-230	TXV	18,900	13.00	11.00	CH33-25B		5549100
13ACX-018-230	TXV	18,300	13.00	11.00	CR33-18		5549101
13ACX-018-230	TXV	18,800	15.00	12.50	CR33-18	EL180DF045E36A	5733336
13ACX-018-230	TXV	18,800	15.00	12.50	CR33-18	ML180DF045E36A	5548618
13ACX-018-230	TXV	18,000	13.00	11.00	CR33-24		5549381
13ACX-018-230	TXV	18,500	14.50	12.00	CR33-24	EL180DF045E36A	5733337
13ACX-018-230	TXV	18,500	14.50	12.00	CR33-24	ML180DF045E36A	5548620
13ACX-018-230	TXV	19,000	13.00	11.00	CR33-30/36		5550110
13ACX-018-230	TXV	19,600	15.00	13.00	CR33-30/36	EL180DF045E36A	5733341
13ACX-018-230	TXV	19,600	15.00	13.00	CR33-30/36	ML180DF045E36A	5548622
13ACX-018-230	TXV	18,100	13.00	11.00	CX34-18/24		5548625
13ACX-018-230	TXV	18,500	14.50	12.00	CX34-18/24	EL180UH045E36A	5733848
13ACX-018-230	TXV	18,500	14.50	12.00	CX34-18/24	EL180UH045XE36A	5734133
13ACX-018-230	TXV	18,500	14.50	12.00	CX34-18/24	ML180UH045E36A	5548623
13ACX-018-230	TXV	18,500	14.50	12.00	CX34-18/24	ML180UH045XE36A	5548624
13ACX-018-230	TXV	18,600	13.00	11.00	CX34-19		5548628
13ACX-018-230	TXV	19,200	15.00	12.50	CX34-19	EL180UH045E36A	5733851
13ACX-018-230	TXV	19,200	15.00	12.50	CX34-19	EL180UH045XE36A	5734134
13ACX-018-230	TXV	19,200	15.00	12.50	CX34-19	ML180UH045E36A	5548626
13ACX-018-230	TXV	19,200	15.00	12.50	CX34-19	ML180UH045XE36A	5548627
13ACX-018-230	TXV	18,800	13.00	11.00	CX34-25		5548631
13ACX-018-230	TXV	19,400	15.00	13.00	CX34-25	EL180UH045E36A	5733852
13ACX-018-230	TXV	19,400	15.00	13.00	CX34-25	EL180UH045XE36A	5734135
13ACX-018-230	TXV	19,400	15.00	13.00	CX34-25	ML180UH045E36A	5548629
13ACX-018-230	TXV	19,400	15.00	13.00	CX34-25	ML180UH045XE36A	5548630
13ACX-018-230	TXV	18,400	13.00	11.00	CX34-30		5549092
13ACX-018-230	TXV	19,000	15.00	12.50	CX34-30	EL180UH045E36A	5733853
13ACX-018-230	TXV	19,000	15.00	12.50	CX34-30	EL180UH045XE36A	5734153
13ACX-018-230	TXV	19,000	15.00	12.50	CX34-30	ML180UH045E36A	5548632
13ACX-018-230	TXV	19,000	15.00	12.50	CX34-30	ML180UH045XE36A	5549091
13ACX-018-230	TXV	19,000	13.00	11.00	CX34-31		5549095
13ACX-018-230	TXV	19,500	15.00	13.00	CX34-31	EL180UH045E36A	5733871
13ACX-018-230	TXV	19,500	15.00	13.00	CX34-31	EL180UH045XE36A	5734154
13ACX-018-230	TXV	19,500	15.00	13.00	CX34-31	ML180UH045E36A	5549093
13ACX-018-230	TXV	19,500	15.00	13.00	CX34-31	ML180UH045XE36A	5549094
13ACX-024-230	RFC	23,400	13.00	11.00	C33-19		5549102
13ACX-024-230	RFC	23,600	13.50	11.00	C33-25		5549120
13ACX-024-230	RFC	23,200	13.00	11.00	C33-30		5549135
13ACX-024-230	RFC	24,000	13.50	11.50	C33-31		5549148
13ACX-024-230	RFC	23,600	13.50	11.00	C33-36		5549159
13ACX-024-230	RFC	24,200	14.00	11.50	C33-38		5549174
13ACX-024-230	RFC	23,400	13.00	11.00	CH33-19		5549213
13ACX-024-230	RFC	23,800	13.50	11.00	CH33-25		5549222
13ACX-024-230	RFC	24,200	14.00	11.50	CH33-31		5549235

NOTES:

TXV = Matched with Thermostatic Expansion Valve.

RFC = Matched with RFC metering device.

AHRI certified to AHRI Standard 210/240 (with 25 ft. of connecting refrigerant lines); 95°F outdoor air temperature, 80°F db / 67°F wb entering evaporator air.

All ratings include the use of a blower time delay relay (TDR). All Lennox variable-speed furnaces and Air Handlers have time delay capabilities. Other Furnaces and Air Handlers may require an optional time delay relay (**58M81**) for field installation. See furnace or air handler specifications to determine if relay is needed.

Also see Expansion Valve Kit Usage Table.

AHRI SYSTEM MATCHES

NOTE - For the latest up-to-date system matches please visit the AHRI web site at <http://www.ahridirectory.org>

Model No.	Expansion Device	Capacity	SEER	EER	Coil or Air Handler	Furnace	AHRI Reference
13ACX-024-230	RFC	23,600	13.50	11.00	CH33-36		5549248
13ACX-024-230	RFC	22,800	13.00	10.50	CR33-24		5549263
13ACX-024-230	RFC	24,000	13.50	11.50	CR33-30/36		5549271
13ACX-024-230	TXV	23,400	13.00	11.00	C33-19		5549368
13ACX-024-230	TXV	24,000	15.00	12.00	C33-19	EL180UH045E36A	5733879
13ACX-024-230	TXV	24,000	15.00	12.00	C33-19	EL180UH045XE36A	5734162
13ACX-024-230	TXV	24,000	15.00	12.00	C33-19	ML180UH045E36A	5549103
13ACX-024-230	TXV	24,000	15.00	12.00	C33-19	ML180UH045XE36A	5549104
13ACX-024-230	TXV	24,000	15.50	12.50	C33-19	SL280UH070V36A	5549105
13ACX-024-230	TXV	24,000	15.50	12.50	C33-19	SL280UH070XV36A	5549106
13ACX-024-230	TXV	23,200	14.00	11.50	C33-24	EL180UH045E36A	5733884
13ACX-024-230	TXV	23,200	14.00	11.50	C33-24	EL180UH045XE36A	5734167
13ACX-024-230	TXV	23,000	14.00	12.00	C33-24	EL180UH070E36B	5734558
13ACX-024-230	TXV	23,000	14.00	12.00	C33-24	EL180UH070XE36B	5734895
13ACX-024-230	TXV	23,000	14.00	12.00	C33-24	EL195UH045XE36B	5549111
13ACX-024-230	TXV	23,400	14.00	12.00	C33-24	EL195UH070XE36B	5549112
13ACX-024-230	TXV	23,000	14.00	12.00	C33-24	EL296UH045XE36B	5649112
13ACX-024-230	TXV	23,400	14.00	12.00	C33-24	EL296UH070XE36B	5649113
13ACX-024-230	TXV	23,400	14.00	12.00	C33-24	EL296UH070XV36B	5549113
13ACX-024-230	TXV	23,400	14.50	12.00	C33-24	EL296UH090XV36C	5549118
13ACX-024-230	TXV	23,200	14.00	11.50	C33-24	ML180UH045E36A	5549107
13ACX-024-230	TXV	23,200	14.00	11.50	C33-24	ML180UH045XE36A	5549108
13ACX-024-230	TXV	23,000	14.00	12.00	C33-24	ML180UH070E36B	5549114
13ACX-024-230	TXV	23,000	14.00	12.00	C33-24	ML180UH070XE36B	5549115
13ACX-024-230	TXV	23,400	14.00	12.00	C33-24	SL280UH070V36A	5549109
13ACX-024-230	TXV	23,400	14.00	12.00	C33-24	SL280UH070XV36A	5549110
13ACX-024-230	TXV	23,400	14.50	12.00	C33-24	SL280UH090V36B	5549116
13ACX-024-230	TXV	23,400	14.00	12.00	C33-24	SLP98UH070XV36B	5549117
13ACX-024-230	TXV	23,200	14.50	12.00	C33-24	SLP98UH090XV36C	5549119
13ACX-024-230	TXV	23,600	13.50	11.00	C33-25		5549369
13ACX-024-230	TXV	24,400	15.50	12.50	C33-25	EL180UH045E36A	5733876
13ACX-024-230	TXV	24,400	15.50	12.50	C33-25	EL180UH045XE36A	5734159
13ACX-024-230	TXV	24,200	15.50	12.50	C33-25	EL180UH070E36B	5734554
13ACX-024-230	TXV	24,200	15.50	12.50	C33-25	EL180UH070XE36B	5734888
13ACX-024-230	TXV	24,000	15.00	12.50	C33-25	EL195UH045XE36B	5549125
13ACX-024-230	TXV	24,200	15.00	12.50	C33-25	EL195UH070XE36B	5549126
13ACX-024-230	TXV	24,000	15.00	12.50	C33-25	EL296UH045XE36B	5649100
13ACX-024-230	TXV	24,200	15.50	12.50	C33-25	EL296UH045XV36B	5549127
13ACX-024-230	TXV	24,200	15.00	12.50	C33-25	EL296UH070XE36B	5649101
13ACX-024-230	TXV	24,200	15.50	12.50	C33-25	EL296UH070XV36B	5549128
13ACX-024-230	TXV	24,400	15.50	12.50	C33-25	ML180UH045E36A	5549121
13ACX-024-230	TXV	24,400	15.50	12.50	C33-25	ML180UH045XE36A	5549122
13ACX-024-230	TXV	24,200	15.50	12.50	C33-25	ML180UH070E36B	5549129
13ACX-024-230	TXV	24,200	15.50	12.50	C33-25	ML180UH070XE36B	5549130
13ACX-024-230	TXV	24,200	15.00	12.50	C33-25	SL280UH070V36A	5549123
13ACX-024-230	TXV	24,200	15.00	12.50	C33-25	SL280UH070XV36A	5549124
13ACX-024-230	TXV	24,400	15.50	13.00	C33-25	SL280UH090V36B	5549131
13ACX-024-230	TXV	24,200	15.50	12.50	C33-25	SLP98UH070XV36B	5549132
13ACX-024-230	TXV	23,200	13.00	11.00	C33-30		5549370

NOTES:

TXV = Matched with Thermostatic Expansion Valve.

RFC = Matched with RFC metering device.

AHRI certified to AHRI Standard 210/240 (with 25 ft. of connecting refrigerant lines); 95°F outdoor air temperature, 80°F db / 67°F wb entering evaporator air.

All ratings include the use of a blower time delay relay (TDR). All Lennox variable-speed furnaces and Air Handlers have time delay capabilities. Other Furnaces and Air Handlers may require an optional time delay relay (**58M81**) for field installation. See furnace or air handler specifications to determine if relay is needed.

Also see Expansion Valve Kit Usage Table.

AHRI SYSTEM MATCHES

NOTE - For the latest up-to-date system matches please visit the AHRI web site at <http://www.ahridirectory.org>

Model No.	Expansion Device	Capacity	SEER	EER	Coil or Air Handler	Furnace	AHRI Reference
13ACX-024-230	TXV	23,800	14.50	12.00	C33-30	EL180UH045E36A	5733873
13ACX-024-230	TXV	23,800	14.50	12.00	C33-30	EL180UH045XE36A	5734156
13ACX-024-230	TXV	23,600	14.50	12.00	C33-30	EL180UH070E36B	5734548
13ACX-024-230	TXV	23,600	14.50	12.00	C33-30	EL180UH070XE36B	5734889
13ACX-024-230	TXV	23,200	14.00	12.00	C33-30	EL195UH045XE36B	5549140
13ACX-024-230	TXV	23,600	14.50	12.00	C33-30	EL195UH070XE36B	5549141
13ACX-024-230	TXV	23,200	14.00	12.00	C33-30	EL296UH045XE36B	5649092
13ACX-024-230	TXV	23,800	14.50	12.00	C33-30	EL296UH045XV36B	5549142
13ACX-024-230	TXV	23,600	14.50	12.00	C33-30	EL296UH070XE36B	5649093
13ACX-024-230	TXV	23,800	14.50	12.00	C33-30	EL296UH070XV36B	5549143
13ACX-024-230	TXV	23,800	14.50	12.00	C33-30	EL296UH090XV36C	5549144
13ACX-024-230	TXV	23,800	14.50	12.00	C33-30	ML180UH045E36A	5549133
13ACX-024-230	TXV	23,800	14.50	12.00	C33-30	ML180UH045XE36A	5549134
13ACX-024-230	TXV	23,600	14.50	12.00	C33-30	ML180UH070E36B	5549146
13ACX-024-230	TXV	23,600	14.50	12.00	C33-30	ML180UH070XE36B	5549147
13ACX-024-230	TXV	23,800	14.50	12.00	C33-30	SL280UH070V36A	5549136
13ACX-024-230	TXV	23,800	14.50	12.00	C33-30	SL280UH070XV36A	5549137
13ACX-024-230	TXV	23,800	14.50	12.50	C33-30	SL280UH090V36B	5549138
13ACX-024-230	TXV	23,800	14.50	12.00	C33-30	SLP98UH070XV36B	5549139
13ACX-024-230	TXV	23,800	14.50	12.00	C33-30	SLP98UH090XV36C	5549145
13ACX-024-230	TXV	24,000	13.50	11.50	C33-31		5549371
13ACX-024-230	TXV	24,400	15.50	12.50	C33-31	EL180UH070E36B	5734549
13ACX-024-230	TXV	24,400	15.50	12.50	C33-31	EL180UH070XE36B	5734886
13ACX-024-230	TXV	24,200	15.00	12.50	C33-31	EL195UH045XE36B	5549155
13ACX-024-230	TXV	24,400	15.50	12.50	C33-31	EL195UH070XE36B	5549156
13ACX-024-230	TXV	24,200	15.00	12.50	C33-31	EL296UH045XE36B	5649094
13ACX-024-230	TXV	24,600	15.50	13.00	C33-31	EL296UH045XV36B	5549149
13ACX-024-230	TXV	24,400	15.50	12.50	C33-31	EL296UH070XE36B	5649095
13ACX-024-230	TXV	24,600	15.50	13.00	C33-31	EL296UH070XV36B	5549150
13ACX-024-230	TXV	24,400	15.50	12.50	C33-31	ML180UH070E36B	5549157
13ACX-024-230	TXV	24,400	15.50	12.50	C33-31	ML180UH070XE36B	5549158
13ACX-024-230	TXV	24,800	16.00	13.00	C33-31	SL280UH070V36A	5549151
13ACX-024-230	TXV	24,800	16.00	13.00	C33-31	SL280UH070XV36A	5549152
13ACX-024-230	TXV	24,800	16.00	13.00	C33-31	SL280UH090XV36B	5549153
13ACX-024-230	TXV	24,600	15.50	12.50	C33-31	SLP98UH070XV36B	5549154
13ACX-024-230	TXV	23,600	13.50	11.00	C33-36		5549372
13ACX-024-230	TXV	24,400	15.00	12.50	C33-36	EL180UH045E36A	5733872
13ACX-024-230	TXV	24,400	15.00	12.50	C33-36	EL180UH045XE36A	5734155
13ACX-024-230	TXV	24,200	15.50	12.50	C33-36	EL180UH070E36B	5734550
13ACX-024-230	TXV	24,200	15.50	12.50	C33-36	EL180UH070XE36B	5734890
13ACX-024-230	TXV	23,800	15.00	12.00	C33-36	EL195UH045XE36B	5549167
13ACX-024-230	TXV	24,200	15.00	12.50	C33-36	EL195UH070XE36B	5549168
13ACX-024-230	TXV	23,800	15.00	12.00	C33-36	EL296UH045XE36B	5649090
13ACX-024-230	TXV	24,200	15.00	12.50	C33-36	EL296UH045XV36B	5549169
13ACX-024-230	TXV	24,200	15.00	12.50	C33-36	EL296UH070XE36B	5649091
13ACX-024-230	TXV	24,200	15.50	12.50	C33-36	EL296UH070XV36B	5549170
13ACX-024-230	TXV	24,200	15.00	12.50	C33-36	EL296UH090XV36C	5549173
13ACX-024-230	TXV	24,400	15.00	12.50	C33-36	ML180UH045E36A	5549163
13ACX-024-230	TXV	24,400	15.00	12.50	C33-36	ML180UH045XE36A	5549164

NOTES:

TXV = Matched with Thermostatic Expansion Valve.

RFC = Matched with RFC metering device.

AHRI certified to AHRI Standard 210/240 (with 25 ft. of connecting refrigerant lines); 95°F outdoor air temperature, 80°F db / 67°F wb entering evaporator air.

All ratings include the use of a blower time delay relay (TDR). All Lennox variable-speed furnaces and Air Handlers have time delay capabilities. Other Furnaces and Air Handlers may require an optional time delay relay (**58M81**) for field installation. See furnace or air handler specifications to determine if relay is needed.

Also see Expansion Valve Kit Usage Table.

AHRI SYSTEM MATCHES

NOTE - For the latest up-to-date system matches please visit the AHRI web site at <http://www.ahridirectory.org>

Model No.	Expansion Device	Capacity	SEER	EER	Coil or Air Handler	Furnace	AHRI Reference
13ACX-024-230	TXV	24,200	15.50	12.50	C33-36	ML180UH070E36B	5549171
13ACX-024-230	TXV	24,200	15.50	12.50	C33-36	ML180UH070XE36B	5549172
13ACX-024-230	TXV	24,400	15.50	12.50	C33-36	SL280UH070V36A	5549165
13ACX-024-230	TXV	24,400	15.50	12.50	C33-36	SL280UH070XV36A	5549166
13ACX-024-230	TXV	24,400	15.50	13.00	C33-36	SL280UH090V36B	5549160
13ACX-024-230	TXV	24,200	15.50	12.50	C33-36	SLP98UH070XV36B	5549161
13ACX-024-230	TXV	24,200	15.50	12.50	C33-36	SLP98UH090XV36C	5549162
13ACX-024-230	TXV	24,200	14.00	11.50	C33-38		5549373
13ACX-024-230	TXV	24,400	15.50	12.50	C33-38	EL180UH045E36A	5733874
13ACX-024-230	TXV	24,400	15.50	12.50	C33-38	EL180UH045XE36A	5734157
13ACX-024-230	TXV	24,800	16.00	13.00	C33-38	EL180UH070E36B	5734553
13ACX-024-230	TXV	24,800	16.00	13.00	C33-38	EL180UH070XE36B	5734887
13ACX-024-230	TXV	24,600	15.50	12.50	C33-38	EL195UH045XE36B	5549179
13ACX-024-230	TXV	24,600	15.50	13.00	C33-38	EL195UH070XE36B	5549180
13ACX-024-230	TXV	24,600	15.50	12.50	C33-38	EL296UH045XE36B	5649096
13ACX-024-230	TXV	24,800	16.00	13.00	C33-38	EL296UH045XV36B	5549181
13ACX-024-230	TXV	24,600	15.50	13.00	C33-38	EL296UH070XE36B	5649097
13ACX-024-230	TXV	24,800	16.00	13.00	C33-38	EL296UH070XV36B	5549182
13ACX-024-230	TXV	24,400	15.50	12.50	C33-38	ML180UH045E36A	5549175
13ACX-024-230	TXV	24,400	15.50	12.50	C33-38	ML180UH045XE36A	5549176
13ACX-024-230	TXV	24,800	16.00	13.00	C33-38	ML180UH070E36B	5549183
13ACX-024-230	TXV	24,800	16.00	13.00	C33-38	ML180UH070XE36B	5549184
13ACX-024-230	TXV	25,000	16.00	13.00	C33-38	SL280UH070V36A	5549177
13ACX-024-230	TXV	25,000	16.00	13.00	C33-38	SL280UH070XV36A	5549178
13ACX-024-230	TXV	25,000	16.00	13.00	C33-38	SL280UH090V36B	5549185
13ACX-024-230	TXV	24,800	16.00	13.00	C33-38	SLP98UH070XV36B	5549186
13ACX-024-230	TXV	23,600	13.00	11.00	CBX25UH-024		5732777
13ACX-024-230	TXV	23,800	13.00	11.00	CBX25UH-030		6468624
13ACX-024-230	TXV	24,000	14.00	11.50	CBX26UH-024		5549189
13ACX-024-230	TXV	24,400	15.50	12.50	CBX27UH-024		5549190
13ACX-024-230	TXV	24,600	16.00	13.00	CBX27UH-030		5549191
13ACX-024-230	TXV	23,600	13.50	11.50	CBX32M-018/024		5549192
13ACX-024-230	TXV	24,200	14.50	12.00	CBX32M-030		5549193
13ACX-024-230	TXV	24,600	14.50	12.00	CBX32M-036		5549194
13ACX-024-230	TXV	23,800	14.00	11.50	CBX32MV-018/024		5549195
13ACX-024-230	TXV	24,000	14.50	12.00	CBX32MV-024/030		5549196
13ACX-024-230	TXV	24,600	15.00	12.50	CBX32MV-036		5549197
13ACX-024-230	TXV	24,400	15.00	12.00	CBX40UHV-024		5549198
13ACX-024-230	TXV	24,200	15.00	12.00	CBX40UHV-030		5549199
13ACX-024-230	TXV	24,600	15.00	12.50	CBX40UHV-036		5549200
13ACX-024-230	TXV	23,600	13.50	11.00	CH23-41		5549374
13ACX-024-230	TXV	23,600	13.50	11.00	CH23-41		5549668
13ACX-024-230	TXV	24,200	15.50	12.50	CH23-41	EL180UH045E36A	5733875
13ACX-024-230	TXV	24,200	15.50	12.50	CH23-41	EL180UH045XE36A	5734158
13ACX-024-230	TXV	24,600	15.50	13.00	CH23-41	EL180UH070E36B	5734551
13ACX-024-230	TXV	24,600	15.50	13.00	CH23-41	EL180UH070XE36B	5734891
13ACX-024-230	TXV	24,000	15.00	12.50	CH23-41	EL195UH045XE36B	5549201
13ACX-024-230	TXV	24,200	15.50	12.50	CH23-41	EL195UH070XE36B	5549202
13ACX-024-230	TXV	24,000	15.00	12.50	CH23-41	EL296UH045XE36B	5649098

NOTES:

TXV = Matched with Thermostatic Expansion Valve.

RFC = Matched with RFC metering device.

AHRI certified to AHRI Standard 210/240 (with 25 ft. of connecting refrigerant lines); 95°F outdoor air temperature, 80°F db / 67°F wb entering evaporator air.

All ratings include the use of a blower time delay relay (TDR). All Lennox variable-speed furnaces and Air Handlers have time delay capabilities. Other Furnaces and Air Handlers may require an optional time delay relay (**58M81**) for field installation. See furnace or air handler specifications to determine if relay is needed.

Also see Expansion Valve Kit Usage Table.

AHRI SYSTEM MATCHES

NOTE - For the latest up-to-date system matches please visit the AHRI web site at <http://www.ahridirectory.org>

Model No.	Expansion Device	Capacity	SEER	EER	Coil or Air Handler	Furnace	AHRI Reference
13ACX-024-230	TXV	24,200	15.00	12.50	CH23-41	EL296UH045XV36B	5549203
13ACX-024-230	TXV	24,200	15.50	12.50	CH23-41	EL296UH070XE36B	5649099
13ACX-024-230	TXV	24,200	15.50	12.50	CH23-41	EL296UH070XV36B	5549204
13ACX-024-230	TXV	24,200	15.50	12.50	CH23-41	ML180UH045E36A	5549205
13ACX-024-230	TXV	24,200	15.50	12.50	CH23-41	ML180UH045XE36A	5549206
13ACX-024-230	TXV	24,600	15.50	13.00	CH23-41	ML180UH070E36B	5549207
13ACX-024-230	TXV	24,600	15.50	13.00	CH23-41	ML180UH070XE36B	5549208
13ACX-024-230	TXV	24,400	15.50	12.50	CH23-41	SL280UH070V36A	5549209
13ACX-024-230	TXV	24,400	15.50	12.50	CH23-41	SL280UH070XV36A	5549210
13ACX-024-230	TXV	24,400	15.50	13.00	CH23-41	SL280UH090V36B	5549211
13ACX-024-230	TXV	24,200	15.50	12.50	CH23-41	SLP98UH070XV36B	5549212
13ACX-024-230	TXV	23,400	13.00	11.00	CH33-19		5549375
13ACX-024-230	TXV	24,000	15.00	12.00	CH33-19	EL180UH045E36A	5733877
13ACX-024-230	TXV	24,000	15.00	12.00	CH33-19	EL180UH045XE36A	5734160
13ACX-024-230	TXV	24,000	15.00	12.00	CH33-19	ML180UH045E36A	5549214
13ACX-024-230	TXV	24,000	15.00	12.00	CH33-19	ML180UH045XE36A	5549215
13ACX-024-230	TXV	24,000	15.00	12.50	CH33-19	SL280UH070V36A	5549216
13ACX-024-230	TXV	24,000	15.00	12.50	CH33-19	SL280UH070XV36A	5549217
13ACX-024-230	TXV	23,800	14.50	12.00	CH33-24/30	EL180UH045E36A	5733878
13ACX-024-230	TXV	23,800	14.50	12.00	CH33-24/30	EL180UH045XE36A	5734161
13ACX-024-230	TXV	23,800	14.50	12.00	CH33-24/30	ML180UH045E36A	5549218
13ACX-024-230	TXV	23,800	14.50	12.00	CH33-24/30	ML180UH045XE36A	5549219
13ACX-024-230	TXV	23,800	14.50	12.00	CH33-24/30	SL280UH070V36A	5549220
13ACX-024-230	TXV	23,800	14.50	12.00	CH33-24/30	SL280UH070XV36A	5549221
13ACX-024-230	TXV	23,800	13.50	11.00	CH33-25		5549376
13ACX-024-230	TXV	24,200	15.50	12.50	CH33-25	EL296UH045XV36B	5549229
13ACX-024-230	TXV	24,200	15.50	12.50	CH33-25	EL296UH070XV36B	5549230
13ACX-024-230	TXV	24,400	15.50	12.50	CH33-25	SL280UH070V36A	5549225
13ACX-024-230	TXV	24,400	15.50	12.50	CH33-25	SL280UH070XV36A	5549226
13ACX-024-230	TXV	24,400	15.50	13.00	CH33-25	SL280UH090V36B	5549233
13ACX-024-230	TXV	24,200	15.50	12.50	CH33-25	SLP98UH070XV36B	5549234
13ACX-024-230	TXV	24,400	15.00	12.50	CH33-25A	EL180UH045E36A	5733880
13ACX-024-230	TXV	24,400	15.00	12.50	CH33-25A	EL180UH045XE36A	5734163
13ACX-024-230	TXV	24,400	15.00	12.50	CH33-25A	ML180UH045E36A	5549223
13ACX-024-230	TXV	24,400	15.00	12.50	CH33-25A	ML180UH045XE36A	5549224
13ACX-024-230	TXV	24,400	15.50	12.50	CH33-25B	EL180UH070E36B	5734555
13ACX-024-230	TXV	24,400	15.50	12.50	CH33-25B	EL180UH070XE36B	5734892
13ACX-024-230	TXV	24,000	15.00	12.50	CH33-25B	EL195UH045XE36B	5549227
13ACX-024-230	TXV	24,000	15.00	12.50	CH33-25B	EL195UH070XE36B	5549228
13ACX-024-230	TXV	24,000	15.00	12.50	CH33-25B	EL296UH045XE36B	5649102
13ACX-024-230	TXV	24,000	15.00	12.50	CH33-25B	EL296UH070XE36B	5649103
13ACX-024-230	TXV	24,400	15.50	12.50	CH33-25B	ML180UH070E36B	5549231
13ACX-024-230	TXV	24,400	15.50	12.50	CH33-25B	ML180UH070XE36B	5549232
13ACX-024-230	TXV	24,200	14.00	11.50	CH33-31		5549377
13ACX-024-230	TXV	24,800	16.00	13.00	CH33-31	EL296UH045XV36B	5549242
13ACX-024-230	TXV	24,800	16.00	13.00	CH33-31	EL296UH070XV36B	5549243
13ACX-024-230	TXV	24,800	15.50	12.50	CH33-31	SL280UH070V36A	5549238
13ACX-024-230	TXV	24,800	15.50	12.50	CH33-31	SL280UH070XV36A	5549239
13ACX-024-230	TXV	25,000	16.00	13.00	CH33-31	SL280UH090V36B	5549246

NOTES:

TXV = Matched with Thermostatic Expansion Valve.

RFC = Matched with RFC metering device.

AHRI certified to AHRI Standard 210/240 (with 25 ft. of connecting refrigerant lines); 95°F outdoor air temperature, 80°F db / 67°F wb entering evaporator air.

All ratings include the use of a blower time delay relay (TDR). All Lennox variable-speed furnaces and Air Handlers have time delay capabilities. Other Furnaces and Air Handlers may require an optional time delay relay (**58M81**) for field installation. See furnace or air handler specifications to determine if relay is needed.

Also see Expansion Valve Kit Usage Table.

AHRI SYSTEM MATCHES

NOTE - For the latest up-to-date system matches please visit the AHRI web site at <http://www.ahridirectory.org>

Model No.	Expansion Device	Capacity	SEER	EER	Coil or Air Handler	Furnace	AHRI Reference
13ACX-024-230	TXV	24,800	16.00	13.00	CH33-31	SLP98UH070XV36B	5549247
13ACX-024-230	TXV	24,800	15.50	12.50	CH33-31A	EL180UH045E36A	5733881
13ACX-024-230	TXV	24,800	15.50	12.50	CH33-31A	EL180UH045XE36A	5734164
13ACX-024-230	TXV	24,800	15.50	12.50	CH33-31A	ML180UH045E36A	5549236
13ACX-024-230	TXV	24,800	15.50	12.50	CH33-31A	ML180UH045XE36A	5549237
13ACX-024-230	TXV	24,800	16.00	13.00	CH33-31B	EL180UH070E36B	5734556
13ACX-024-230	TXV	24,800	16.00	13.00	CH33-31B	EL180UH070XE36B	5734893
13ACX-024-230	TXV	24,600	15.50	12.50	CH33-31B	EL195UH045XE36B	5549240
13ACX-024-230	TXV	24,600	15.50	13.00	CH33-31B	EL195UH070XE36B	5549241
13ACX-024-230	TXV	24,600	15.50	12.50	CH33-31B	EL296UH045XE36B	5649104
13ACX-024-230	TXV	24,600	15.50	13.00	CH33-31B	EL296UH070XE36B	5649105
13ACX-024-230	TXV	24,800	16.00	13.00	CH33-31B	ML180UH070E36B	5549244
13ACX-024-230	TXV	24,800	16.00	13.00	CH33-31B	ML180UH070XE36B	5549245
13ACX-024-230	TXV	23,600	13.50	11.00	CH33-36		5549378
13ACX-024-230	TXV	24,200	15.00	12.50	CH33-36	EL296UH045XV36B	5549255
13ACX-024-230	TXV	24,200	15.50	12.50	CH33-36	EL296UH070XV36B	5549256
13ACX-024-230	TXV	24,400	15.50	13.00	CH33-36	EL296UH090XV36C	5549262
13ACX-024-230	TXV	24,200	15.00	12.50	CH33-36	SL280UH070V36A	5549251
13ACX-024-230	TXV	24,200	15.00	12.50	CH33-36	SL280UH070XV36A	5549252
13ACX-024-230	TXV	24,400	15.50	13.00	CH33-36	SL280UH090V36B	5549259
13ACX-024-230	TXV	24,200	15.50	12.50	CH33-36	SLP98UH070XV36B	5549260
13ACX-024-230	TXV	24,400	15.50	13.00	CH33-36	SLP98UH090XV36C	5549261
13ACX-024-230	TXV	24,200	15.00	12.50	CH33-36A	EL180UH045E36A	5733882
13ACX-024-230	TXV	24,200	15.00	12.50	CH33-36A	EL180UH045XE36A	5734165
13ACX-024-230	TXV	24,200	15.00	12.50	CH33-36A	ML180UH045E36A	5549249
13ACX-024-230	TXV	24,200	15.00	12.50	CH33-36A	ML180UH045XE36A	5549250
13ACX-024-230	TXV	24,200	15.50	12.50	CH33-36B	EL180UH070E36B	5734557
13ACX-024-230	TXV	24,200	15.50	12.50	CH33-36B	EL180UH070XE36B	5734894
13ACX-024-230	TXV	24,000	15.00	12.50	CH33-36B	EL195UH045XE36B	5549253
13ACX-024-230	TXV	24,000	15.00	12.50	CH33-36B	EL195UH070XE36B	5549254
13ACX-024-230	TXV	24,000	15.00	12.50	CH33-36B	EL296UH045XE36B	5649106
13ACX-024-230	TXV	24,000	15.00	12.50	CH33-36B	EL296UH070XE36B	5649107
13ACX-024-230	TXV	24,200	15.50	12.50	CH33-36B	ML180UH070E36B	5549257
13ACX-024-230	TXV	24,200	15.50	12.50	CH33-36B	ML180UH070XE36B	5549258
13ACX-024-230	TXV	22,800	13.00	10.50	CR33-24		5549379
13ACX-024-230	TXV	23,200	14.00	11.50	CR33-24	EL180DF045E36A	5733348
13ACX-024-230	TXV	22,800	14.00	11.50	CR33-24	EL180DF070E36B	5733435
13ACX-024-230	TXV	22,800	14.00	11.50	CR33-24	EL195DF045XE36B	5549266
13ACX-024-230	TXV	22,800	14.00	11.50	CR33-24	EL195DF070XE48B	5549267
13ACX-024-230	TXV	23,400	14.00	12.00	CR33-24	EL296DF045V36B	5549268
13ACX-024-230	TXV	22,800	14.00	11.50	CR33-24	EL296DF045XE36B	5649108
13ACX-024-230	TXV	22,800	14.00	11.50	CR33-24	EL296DF070XE48B	5649109
13ACX-024-230	TXV	23,200	14.00	11.50	CR33-24	ML180DF045E36A	5549264
13ACX-024-230	TXV	22,800	14.00	11.50	CR33-24	ML180DF070E36B	5549269
13ACX-024-230	TXV	23,200	14.50	12.00	CR33-24	SL280DF070V36A	5549265
13ACX-024-230	TXV	23,400	14.50	12.00	CR33-24	SLP98DF070XV36B	5549270
13ACX-024-230	TXV	24,000	13.50	11.50	CR33-30/36		5549380
13ACX-024-230	TXV	24,200	15.50	12.50	CR33-30/36	EL180DF045E36A	5733350
13ACX-024-230	TXV	24,600	15.50	13.00	CR33-30/36	EL180DF070E36B	5733437

NOTES:

TXV = Matched with Thermostatic Expansion Valve.

RFC = Matched with RFC metering device.

AHRI certified to AHRI Standard 210/240 (with 25 ft. of connecting refrigerant lines); 95°F outdoor air temperature, 80°F db / 67°F wb entering evaporator air.

All ratings include the use of a blower time delay relay (TDR). All Lennox variable-speed furnaces and Air Handlers have time delay capabilities. Other Furnaces and Air Handlers may require an optional time delay relay (**58M81**) for field installation. See furnace or air handler specifications to determine if relay is needed.

Also see Expansion Valve Kit Usage Table.

AHRI SYSTEM MATCHES

NOTE - For the latest up-to-date system matches please visit the AHRI web site at <http://www.ahridirectory.org>

Model No.	Expansion Device	Capacity	SEER	EER	Coil or Air Handler	Furnace	AHRI Reference
13ACX-024-230	TXV	24,200	15.00	12.50	CR33-30/36	EL195DF045XE36B	5549274
13ACX-024-230	TXV	24,400	15.50	12.50	CR33-30/36	EL195DF070XE48B	5549275
13ACX-024-230	TXV	24,600	15.50	12.50	CR33-30/36	EL296DF045V36B	5549276
13ACX-024-230	TXV	24,200	15.00	12.50	CR33-30/36	EL296DF045XE36B	5649110
13ACX-024-230	TXV	24,600	15.00	12.50	CR33-30/36	EL296DF070V48B	5549277
13ACX-024-230	TXV	24,400	15.50	12.50	CR33-30/36	EL296DF070XE48B	5649111
13ACX-024-230	TXV	24,200	15.50	12.50	CR33-30/36	ML180DF045E36A	5549272
13ACX-024-230	TXV	24,600	15.50	13.00	CR33-30/36	ML180DF070E36B	5549278
13ACX-024-230	TXV	24,400	15.00	12.50	CR33-30/36	SL280DF070V36A	5549273
13ACX-024-230	TXV	24,800	15.50	13.00	CR33-30/36	SL280DF090V48B	5549279
13ACX-024-230	TXV	24,600	15.50	12.50	CR33-30/36	SLP98DF070XV36B	5549280
13ACX-024-230	TXV	24,600	15.50	13.00	CR33-30/36	SLP98DF090XV36C	5549281
13ACX-024-230	TXV	23,200	14.00	11.50	CX34-18/24	EL180UH045E36A	5733883
13ACX-024-230	TXV	23,200	14.00	11.50	CX34-18/24	EL180UH045XE36A	5734166
13ACX-024-230	TXV	23,000	14.00	12.00	CX34-18/24	EL180UH070E36B	5734559
13ACX-024-230	TXV	23,000	14.00	12.00	CX34-18/24	EL180UH070XE36B	5734896
13ACX-024-230	TXV	23,000	14.00	12.00	CX34-18/24	EL195UH045XE36B	5549292
13ACX-024-230	TXV	23,400	14.00	12.00	CX34-18/24	EL195UH070XE36B	5549293
13ACX-024-230	TXV	23,000	14.00	12.00	CX34-18/24	EL296UH045XE36B	5649114
13ACX-024-230	TXV	23,200	14.00	12.00	CX34-18/24	EL296UH045XV36B	5549284
13ACX-024-230	TXV	23,400	14.00	12.00	CX34-18/24	EL296UH070XE36B	5649115
13ACX-024-230	TXV	23,400	14.00	12.00	CX34-18/24	EL296UH070XV36B	5549286
13ACX-024-230	TXV	23,400	14.50	12.00	CX34-18/24	EL296UH090XV36C	5549285
13ACX-024-230	TXV	23,200	14.00	11.50	CX34-18/24	ML180UH045E36A	5549282
13ACX-024-230	TXV	23,200	14.00	11.50	CX34-18/24	ML180UH045XE36A	5549283
13ACX-024-230	TXV	23,000	14.00	12.00	CX34-18/24	ML180UH070E36B	5549294
13ACX-024-230	TXV	23,000	14.00	12.00	CX34-18/24	ML180UH070XE36B	5549295
13ACX-024-230	TXV	23,400	14.00	12.00	CX34-18/24	SL280UH070V36A	5549287
13ACX-024-230	TXV	23,400	14.00	12.00	CX34-18/24	SL280UH070XV36A	5549288
13ACX-024-230	TXV	23,400	14.50	12.00	CX34-18/24	SL280UH090V36B	5549289
13ACX-024-230	TXV	23,400	14.00	12.00	CX34-18/24	SLP98UH070XV36B	5549290
13ACX-024-230	TXV	23,200	14.50	12.00	CX34-18/24	SLP98UH090XV36C	5549291
13ACX-024-230	TXV	23,400	13.00	11.00	CX34-19		5549296
13ACX-024-230	TXV	24,000	15.00	12.00	CX34-19	EL180UH045E36A	5733885
13ACX-024-230	TXV	24,000	15.00	12.00	CX34-19	EL180UH045XE36A	5734168
13ACX-024-230	TXV	24,000	15.00	12.00	CX34-19	ML180UH045E36A	5549297
13ACX-024-230	TXV	24,000	15.00	12.00	CX34-19	ML180UH045XE36A	5549298
13ACX-024-230	TXV	24,000	15.50	12.50	CX34-19	SL280UH070V36A	5549299
13ACX-024-230	TXV	24,000	15.50	12.50	CX34-19	SL280UH070XV36A	5549300
13ACX-024-230	TXV	23,600	13.50	11.00	CX34-25		5549301
13ACX-024-230	TXV	24,400	15.50	12.50	CX34-25	EL180UH045E36A	5733886
13ACX-024-230	TXV	24,400	15.50	12.50	CX34-25	EL180UH045XE36A	5734169
13ACX-024-230	TXV	24,200	15.50	12.50	CX34-25	EL180UH070E36B	5734560
13ACX-024-230	TXV	24,200	15.50	12.50	CX34-25	EL180UH070XE36B	5734897
13ACX-024-230	TXV	24,000	15.00	12.50	CX34-25	EL195UH045XE36B	5549306
13ACX-024-230	TXV	24,200	15.00	12.50	CX34-25	EL195UH070XE36B	5549307
13ACX-024-230	TXV	24,000	15.00	12.50	CX34-25	EL296UH045XE36B	5649116
13ACX-024-230	TXV	24,200	15.50	12.50	CX34-25	EL296UH045XV36B	5549308
13ACX-024-230	TXV	24,200	15.00	12.50	CX34-25	EL296UH070XE36B	5649117

NOTES:

TXV = Matched with Thermostatic Expansion Valve.

RFC = Matched with RFC metering device.

AHRI certified to AHRI Standard 210/240 (with 25 ft. of connecting refrigerant lines); 95°F outdoor air temperature, 80°F db / 67°F wb entering evaporator air.

All ratings include the use of a blower time delay relay (TDR). All Lennox variable-speed furnaces and Air Handlers have time delay capabilities. Other Furnaces and Air Handlers may require an optional time delay relay (**58M81**) for field installation. See furnace or air handler specifications to determine if relay is needed.

Also see Expansion Valve Kit Usage Table.

AHRI SYSTEM MATCHES

NOTE - For the latest up-to-date system matches please visit the AHRI web site at <http://www.ahridirectory.org>

Model No.	Expansion Device	Capacity	SEER	EER	Coil or Air Handler	Furnace	AHRI Reference
13ACX-024-230	TXV	24,200	15.50	12.50	CX34-25	EL296UH070XV36B	5549309
13ACX-024-230	TXV	24,400	15.50	12.50	CX34-25	ML180UH045E36A	5549302
13ACX-024-230	TXV	24,400	15.50	12.50	CX34-25	ML180UH045XE36A	5549303
13ACX-024-230	TXV	24,200	15.50	12.50	CX34-25	ML180UH070E36B	5549310
13ACX-024-230	TXV	24,200	15.50	12.50	CX34-25	ML180UH070XE36B	5549311
13ACX-024-230	TXV	24,400	15.50	12.50	CX34-25	SL280UH070V36A	5549304
13ACX-024-230	TXV	24,200	15.00	12.50	CX34-25	SL280UH070XV36A	5549305
13ACX-024-230	TXV	24,400	15.50	13.00	CX34-25	SL280UH090V36B	5549312
13ACX-024-230	TXV	24,200	15.50	12.50	CX34-25	SLP98UH070XV36B	5549313
13ACX-024-230	TXV	23,200	13.00	11.00	CX34-30		5549316
13ACX-024-230	TXV	23,800	14.50	12.00	CX34-30	EL180UH045E36A	5733887
13ACX-024-230	TXV	23,800	14.50	12.00	CX34-30	EL180UH045XE36A	5734170
13ACX-024-230	TXV	23,600	14.50	12.00	CX34-30	EL180UH070E36B	5734561
13ACX-024-230	TXV	23,600	14.50	12.00	CX34-30	EL180UH070XE36B	5734898
13ACX-024-230	TXV	23,200	14.00	12.00	CX34-30	EL195UH045XE36B	5549324
13ACX-024-230	TXV	23,600	14.50	12.00	CX34-30	EL195UH070XE36B	5549325
13ACX-024-230	TXV	23,200	14.00	12.00	CX34-30	EL296UH045XE36B	5649118
13ACX-024-230	TXV	23,800	14.50	12.00	CX34-30	EL296UH045XV36B	5549317
13ACX-024-230	TXV	23,600	14.50	12.00	CX34-30	EL296UH070XE36B	5649119
13ACX-024-230	TXV	23,800	14.50	12.00	CX34-30	EL296UH070XV36B	5549318
13ACX-024-230	TXV	23,800	14.50	12.00	CX34-30	EL296UH090XV36C	5549328
13ACX-024-230	TXV	23,800	14.50	12.00	CX34-30	ML180UH045E36A	5549314
13ACX-024-230	TXV	23,800	14.50	12.00	CX34-30	ML180UH045XE36A	5549315
13ACX-024-230	TXV	23,600	14.50	12.00	CX34-30	ML180UH070E36B	5549326
13ACX-024-230	TXV	23,600	14.50	12.00	CX34-30	ML180UH070XE36B	5549327
13ACX-024-230	TXV	23,800	14.50	12.00	CX34-30	SL280UH070V36A	5549319
13ACX-024-230	TXV	23,800	14.50	12.00	CX34-30	SL280UH070XV36A	5549320
13ACX-024-230	TXV	23,800	14.50	12.50	CX34-30	SL280UH090V36B	5549321
13ACX-024-230	TXV	23,800	14.50	12.00	CX34-30	SLP98UH070XV36B	5549322
13ACX-024-230	TXV	23,800	14.50	12.50	CX34-30	SLP98UH090XV36C	5549323
13ACX-024-230	TXV	24,000	13.50	11.50	CX34-31		5549329
13ACX-024-230	TXV	24,400	15.50	12.50	CX34-31	EL180UH070E36B	5734563
13ACX-024-230	TXV	24,400	15.50	12.50	CX34-31	EL180UH070XE36B	5734899
13ACX-024-230	TXV	24,200	15.00	12.50	CX34-31	EL195UH045XE36B	5549336
13ACX-024-230	TXV	24,400	15.50	12.50	CX34-31	EL195UH070XE36B	5549337
13ACX-024-230	TXV	24,200	15.00	12.50	CX34-31	EL296UH045XE36B	5649120
13ACX-024-230	TXV	24,600	15.50	13.00	CX34-31	EL296UH045XV36B	5549330
13ACX-024-230	TXV	24,400	15.50	12.50	CX34-31	EL296UH070XE36B	5649121
13ACX-024-230	TXV	24,600	15.50	13.00	CX34-31	EL296UH070XV36B	5549331
13ACX-024-230	TXV	24,400	15.50	12.50	CX34-31	ML180UH070E36B	5549338
13ACX-024-230	TXV	24,400	15.50	12.50	CX34-31	ML180UH070XE36B	5549339
13ACX-024-230	TXV	24,800	16.00	13.00	CX34-31	SL280UH070V36A	5549332
13ACX-024-230	TXV	24,800	16.00	13.00	CX34-31	SL280UH070XV36A	5549333
13ACX-024-230	TXV	24,800	16.00	13.00	CX34-31	SL280UH090V36B	5549334
13ACX-024-230	TXV	24,600	15.50	12.50	CX34-31	SLP98UH070XV36B	5549335
13ACX-024-230	TXV	23,600	13.50	11.00	CX34-36		5549340
13ACX-024-230	TXV	23,800	15.00	12.50	CX34-36	EL180UH045E36A	5733888
13ACX-024-230	TXV	23,800	15.00	12.50	CX34-36	EL180UH045XE36A	5734171
13ACX-024-230	TXV	24,200	15.50	12.50	CX34-36	EL180UH070E36B	5734564

NOTES:

TXV = Matched with Thermostatic Expansion Valve.

RFC = Matched with RFC metering device.

AHRI certified to AHRI Standard 210/240 (with 25 ft. of connecting refrigerant lines); 95°F outdoor air temperature, 80°F db / 67°F wb entering evaporator air.

All ratings include the use of a blower time delay relay (TDR). All Lennox variable-speed furnaces and Air Handlers have time delay capabilities. Other Furnaces and Air Handlers may require an optional time delay relay (**58M81**) for field installation. See furnace or air handler specifications to determine if relay is needed.

Also see Expansion Valve Kit Usage Table.

AHRI SYSTEM MATCHES

NOTE - For the latest up-to-date system matches please visit the AHRI web site at <http://www.ahridirectory.org>

Model No.	Expansion Device	Capacity	SEER	EER	Coil or Air Handler	Furnace	AHRI Reference
13ACX-024-230	TXV	24,200	15.50	12.50	CX34-36	EL180UH070XE36B	5734900
13ACX-024-230	TXV	24,000	15.00	12.50	CX34-36	EL195UH045XE36B	5549345
13ACX-024-230	TXV	24,000	15.00	12.50	CX34-36	EL195UH070XE36B	5549346
13ACX-024-230	TXV	24,000	15.00	12.50	CX34-36	EL296UH045XE36B	5649122
13ACX-024-230	TXV	24,200	15.00	12.50	CX34-36	EL296UH045XV36B	5549349
13ACX-024-230	TXV	24,000	15.00	12.50	CX34-36	EL296UH070XE36B	5649123
13ACX-024-230	TXV	24,200	15.50	12.50	CX34-36	EL296UH070XV36B	5549350
13ACX-024-230	TXV	24,200	15.00	12.50	CX34-36	EL296UH090XV36C	5549354
13ACX-024-230	TXV	23,800	15.00	12.50	CX34-36	ML180UH045E36A	5549341
13ACX-024-230	TXV	23,800	15.00	12.50	CX34-36	ML180UH045XE36A	5549342
13ACX-024-230	TXV	24,200	15.50	12.50	CX34-36	ML180UH070E36B	5549347
13ACX-024-230	TXV	24,200	15.50	12.50	CX34-36	ML180UH070XE36B	5549348
13ACX-024-230	TXV	24,400	15.50	12.50	CX34-36	SL280UH070V36A	5549343
13ACX-024-230	TXV	24,400	15.50	12.50	CX34-36	SL280UH070XV36A	5549344
13ACX-024-230	TXV	24,400	15.50	13.00	CX34-36	SL280UH090V36B	5549351
13ACX-024-230	TXV	24,200	15.50	12.50	CX34-36	SLP98UH070XV36B	5549352
13ACX-024-230	TXV	24,200	15.50	12.50	CX34-36	SLP98UH090XV36C	5549353
13ACX-024-230	TXV	24,200	14.00	11.50	CX34-38		5549355
13ACX-024-230	TXV	24,400	15.50	12.50	CX34-38	EL180UH045E36A	5733889
13ACX-024-230	TXV	24,400	15.50	12.50	CX34-38	EL180UH045XE36A	5734172
13ACX-024-230	TXV	24,800	16.00	13.00	CX34-38	EL180UH070E36B	5734565
13ACX-024-230	TXV	24,800	16.00	13.00	CX34-38	EL180UH070XE36B	5734901
13ACX-024-230	TXV	24,600	15.50	12.50	CX34-38	EL195UH045XE36B	5549360
13ACX-024-230	TXV	24,600	15.50	13.00	CX34-38	EL195UH070XE36B	5549361
13ACX-024-230	TXV	24,600	15.50	12.50	CX34-38	EL296UH045XE36B	5649124
13ACX-024-230	TXV	24,800	16.00	13.00	CX34-38	EL296UH045XV36B	5549362
13ACX-024-230	TXV	24,600	15.50	13.00	CX34-38	EL296UH070XE36B	5649125
13ACX-024-230	TXV	24,800	16.00	13.00	CX34-38	EL296UH070XV36B	5549363
13ACX-024-230	TXV	24,400	15.50	12.50	CX34-38	ML180UH045E36A	5549356
13ACX-024-230	TXV	24,400	15.50	12.50	CX34-38	ML180UH045XE36A	5549357
13ACX-024-230	TXV	24,800	16.00	13.00	CX34-38	ML180UH070E36B	5549364
13ACX-024-230	TXV	24,800	16.00	13.00	CX34-38	ML180UH070XE36B	5549365
13ACX-024-230	TXV	25,000	16.00	13.00	CX34-38	SL280UH070V36A	5549358
13ACX-024-230	TXV	25,000	16.00	13.00	CX34-38	SL280UH070XV36A	5549359
13ACX-024-230	TXV	25,000	16.00	13.00	CX34-38	SL280UH090V36B	5549366
13ACX-024-230	TXV	24,800	16.00	13.00	CX34-38	SLP98UH070XV36B	5549367
13ACX-030-230	RFC	28,400	13.00	11.00	C33-19		5548673
13ACX-030-230	RFC	28,800	13.00	11.00	C33-25		5548682
13ACX-030-230	RFC	28,200	13.00	11.00	C33-30		5548693
13ACX-030-230	RFC	29,200	13.00	11.00	C33-31		5548715
13ACX-030-230	RFC	28,600	13.00	11.00	C33-36		5548728
13ACX-030-230	RFC	29,400	13.50	11.50	C33-38		5548752
13ACX-030-230	RFC	28,600	13.00	11.00	C33-42		5548765
13ACX-030-230	RFC	29,600	13.00	11.00	C33-43		5548790
13ACX-030-230	RFC	28,800	13.00	11.00	CH23-41		5549382
13ACX-030-230	RFC	28,200	13.00	11.00	CH33-19		5549383
13ACX-030-230	RFC	29,000	13.00	11.00	CH33-25		5548825
13ACX-030-230	RFC	29,400	13.00	11.00	CH33-31		5548842
13ACX-030-230	RFC	28,600	13.00	11.00	CH33-36		5548858

NOTES:

TXV = Matched with Thermostatic Expansion Valve.

RFC = Matched with RFC metering device.

AHRI certified to AHRI Standard 210/240 (with 25 ft. of connecting refrigerant lines); 95°F outdoor air temperature, 80°F db / 67°F wb entering evaporator air.

All ratings include the use of a blower time delay relay (TDR). All Lennox variable-speed furnaces and Air Handlers have time delay capabilities. Other Furnaces and Air Handlers may require an optional time delay relay (**58M81**) for field installation. See furnace or air handler specifications to determine if relay is needed.

Also see Expansion Valve Kit Usage Table.

AHRI SYSTEM MATCHES

NOTE - For the latest up-to-date system matches please visit the AHRI web site at <http://www.ahridirectory.org>

Model No.	Expansion Device	Capacity	SEER	EER	Coil or Air Handler	Furnace	AHRI Reference
13ACX-030-230	RFC	29,200	13.50	11.00	CH33-42		5548878
13ACX-030-230	RFC	29,600	13.50	11.50	CH33-43		5548891
13ACX-030-230	RFC	29,600	13.50	11.50	CH33-48		5548907
13ACX-030-230	RFC	29,000	13.50	11.00	CR33-30/36		5548918
13ACX-030-230	TXV	28,400	13.00	11.00	C33-19		5549073
13ACX-030-230	TXV	28,800	14.00	12.00	C33-19	EL180UH045E36A	5733858
13ACX-030-230	TXV	28,800	14.00	12.00	C33-19	EL180UH045XE36A	5734140
13ACX-030-230	TXV	28,800	14.00	12.00	C33-19	ML180UH045E36A	5548674
13ACX-030-230	TXV	28,800	14.00	12.00	C33-19	ML180UH045XE36A	5548675
13ACX-030-230	TXV	28,800	14.50	12.00	C33-19	SL280UH070V36A	5548676
13ACX-030-230	TXV	28,800	14.50	12.00	C33-19	SL280UH070XV36A	5548677
13ACX-030-230	TXV	27,800	13.50	11.50	C33-24	EL180UH045E36A	5733855
13ACX-030-230	TXV	27,800	13.50	11.50	C33-24	EL180UH045XE36A	5734137
13ACX-030-230	TXV	28,200	13.50	11.50	C33-24	EL180UH070E36B	5734528
13ACX-030-230	TXV	28,200	13.50	11.50	C33-24	EL180UH070XE36B	5734868
13ACX-030-230	TXV	27,800	13.50	11.50	C33-24	EL180UH090E48B	5735671
13ACX-030-230	TXV	27,800	13.50	11.50	C33-24	EL180UH090XE48B	5737546
13ACX-030-230	TXV	27,800	13.50	11.50	C33-24	EL195UH045XE36B	5548665
13ACX-030-230	TXV	28,000	13.50	11.50	C33-24	EL195UH070XE36B	5548666
13ACX-030-230	TXV	27,800	13.50	11.50	C33-24	EL296UH045XE36B	5649037
13ACX-030-230	TXV	27,800	13.50	11.00	C33-24	EL296UH045XV36B	5548667
13ACX-030-230	TXV	28,000	13.50	11.50	C33-24	EL296UH070XE36B	5649038
13ACX-030-230	TXV	27,800	13.50	11.50	C33-24	EL296UH070XV36B	5548668
13ACX-030-230	TXV	27,800	13.50	11.50	C33-24	ML180UH045E36A	5548656
13ACX-030-230	TXV	27,800	13.50	11.50	C33-24	ML180UH045XE36A	5548657
13ACX-030-230	TXV	28,200	13.50	11.50	C33-24	ML180UH070E36B	5548669
13ACX-030-230	TXV	28,200	13.50	11.50	C33-24	ML180UH070XE36B	5548670
13ACX-030-230	TXV	27,800	13.50	11.50	C33-24	ML180UH090E48B	5548671
13ACX-030-230	TXV	27,800	13.50	11.50	C33-24	ML180UH090XE48B	5548672
13ACX-030-230	TXV	28,000	13.50	11.50	C33-24	SL280UH070V36A	5548658
13ACX-030-230	TXV	28,000	13.50	11.50	C33-24	SL280UH070XV36A	5548659
13ACX-030-230	TXV	28,200	13.50	11.50	C33-24	SL280UH090V36B	5548660
13ACX-030-230	TXV	28,400	13.50	11.50	C33-24	SL280UH090V48B	5548661
13ACX-030-230	TXV	28,400	13.50	11.50	C33-24	SL280UH090XV48B	5548662
13ACX-030-230	TXV	28,000	13.50	11.50	C33-24	SLP98UH070XV36B	5548663
13ACX-030-230	TXV	28,000	13.50	11.50	C33-24	SLP98UH090XV36C	5548664
13ACX-030-230	TXV	28,800	13.00	11.00	C33-25		5549074
13ACX-030-230	TXV	29,200	14.50	12.00	C33-25	EL180UH045E36A	5733859
13ACX-030-230	TXV	29,200	14.50	12.00	C33-25	EL180UH045XE36A	5734141
13ACX-030-230	TXV	29,200	14.50	12.00	C33-25	EL195UH045XE36B	5548683
13ACX-030-230	TXV	29,400	14.50	12.00	C33-25	EL195UH070XE36B	5548684
13ACX-030-230	TXV	29,200	14.50	12.00	C33-25	EL296UH045XE36B	5649041
13ACX-030-230	TXV	29,200	14.50	12.00	C33-25	EL296UH045XV36B	5548685
13ACX-030-230	TXV	29,400	14.50	12.00	C33-25	EL296UH070XE36B	5649042
13ACX-030-230	TXV	29,200	14.50	12.00	C33-25	EL296UH070XV36B	5548687
13ACX-030-230	TXV	29,200	14.50	12.00	C33-25	ML180UH045E36A	5548678
13ACX-030-230	TXV	29,200	14.50	12.00	C33-25	ML180UH045XE36A	5548679
13ACX-030-230	TXV	29,400	14.50	12.00	C33-25	SL280UH070V36A	5548680
13ACX-030-230	TXV	29,400	14.50	12.00	C33-25	SL280UH070XV36A	5548681

NOTES:

TXV = Matched with Thermostatic Expansion Valve.

RFC = Matched with RFC metering device.

AHRI certified to AHRI Standard 210/240 (with 25 ft. of connecting refrigerant lines); 95°F outdoor air temperature, 80°F db / 67°F wb entering evaporator air.

All ratings include the use of a blower time delay relay (TDR). All Lennox variable-speed furnaces and Air Handlers have time delay capabilities. Other Furnaces and Air Handlers may require an optional time delay relay (**58M81**) for field installation. See furnace or air handler specifications to determine if relay is needed.

Also see Expansion Valve Kit Usage Table.

AHRI SYSTEM MATCHES

NOTE - For the latest up-to-date system matches please visit the AHRI web site at <http://www.ahridirectory.org>

Model No.	Expansion Device	Capacity	SEER	EER	Coil or Air Handler	Furnace	AHRI Reference
13ACX-030-230	TXV	29,400	14.50	12.00	C33-25	SL280UH090V36B	5548686
13ACX-030-230	TXV	29,600	14.50	12.00	C33-25	SL280UH090V48B	5548688
13ACX-030-230	TXV	29,600	14.50	12.00	C33-25	SL280UH090XV48B	5548689
13ACX-030-230	TXV	29,200	14.50	12.00	C33-25	SLP98UH070XV36B	5548690
13ACX-030-230	TXV	28,200	13.00	11.00	C33-30		5549075
13ACX-030-230	TXV	28,400	14.00	11.50	C33-30	EL180UH045E36A	5733861
13ACX-030-230	TXV	28,400	14.00	11.50	C33-30	EL180UH045XE36A	5734143
13ACX-030-230	TXV	28,400	14.00	12.00	C33-30	EL180UH070E36B	5734532
13ACX-030-230	TXV	28,400	14.00	12.00	C33-30	EL180UH070XE36B	5734872
13ACX-030-230	TXV	28,400	14.00	12.00	C33-30	EL180UH090E48B	5735677
13ACX-030-230	TXV	28,400	14.00	12.00	C33-30	EL180UH090XE48B	5737550
13ACX-030-230	TXV	28,400	13.50	11.50	C33-30	EL195UH045XE36B	5548703
13ACX-030-230	TXV	28,600	13.50	11.50	C33-30	EL195UH070XE36B	5548704
13ACX-030-230	TXV	28,800	14.00	12.00	C33-30	EL195UH090XE48C	5548709
13ACX-030-230	TXV	28,400	13.50	11.50	C33-30	EL296UH045XE36B	5649045
13ACX-030-230	TXV	28,600	14.00	11.50	C33-30	EL296UH045XV36B	5548694
13ACX-030-230	TXV	28,600	13.50	11.50	C33-30	EL296UH070XE36B	5649046
13ACX-030-230	TXV	28,600	14.00	12.00	C33-30	EL296UH070XV36B	5548695
13ACX-030-230	TXV	28,800	14.00	12.00	C33-30	EL296UH090XE48C	5649047
13ACX-030-230	TXV	28,400	14.00	11.50	C33-30	ML180UH045E36A	5548691
13ACX-030-230	TXV	28,400	14.00	11.50	C33-30	ML180UH045XE36A	5548692
13ACX-030-230	TXV	28,400	14.00	12.00	C33-30	ML180UH070E36B	5548705
13ACX-030-230	TXV	28,400	14.00	12.00	C33-30	ML180UH070XE36B	5548706
13ACX-030-230	TXV	28,400	14.00	12.00	C33-30	ML180UH090E48B	5548707
13ACX-030-230	TXV	28,400	14.00	12.00	C33-30	ML180UH090XE48B	5548708
13ACX-030-230	TXV	28,800	14.00	12.00	C33-30	SL280UH070V36A	5548696
13ACX-030-230	TXV	28,800	14.00	12.00	C33-30	SL280UH070XV36A	5548697
13ACX-030-230	TXV	28,800	14.00	12.00	C33-30	SL280UH090V36B	5548698
13ACX-030-230	TXV	29,000	14.00	12.00	C33-30	SL280UH090V48B	5548699
13ACX-030-230	TXV	28,600	14.00	12.00	C33-30	SL280UH090XV36C	5548710
13ACX-030-230	TXV	29,000	14.00	12.00	C33-30	SL280UH090XV48B	5548700
13ACX-030-230	TXV	28,600	14.00	11.50	C33-30	SLP98UH070XV36B	5548701
13ACX-030-230	TXV	28,600	14.00	12.00	C33-30	SLP98UH090XV36C	5548702
13ACX-030-230	TXV	29,200	13.00	11.00	C33-31		5549076
13ACX-030-230	TXV	29,800	14.50	12.00	C33-31	EL180DF045E36A	5733342
13ACX-030-230	TXV	29,800	14.50	12.00	C33-31	EL180DF045XE36A	5733372
13ACX-030-230	TXV	29,800	15.00	12.50	C33-31	EL180UH070E36B	5734534
13ACX-030-230	TXV	29,800	15.00	12.50	C33-31	EL180UH070XE36B	5734873
13ACX-030-230	TXV	29,800	15.00	12.50	C33-31	EL180UH090E48B	5735683
13ACX-030-230	TXV	29,800	15.00	12.50	C33-31	EL180UH090XE48B	5737555
13ACX-030-230	TXV	29,800	14.50	12.00	C33-31	EL195UH045XE36B	5548716
13ACX-030-230	TXV	30,000	14.50	12.00	C33-31	EL195UH070XE36B	5548717
13ACX-030-230	TXV	29,800	14.50	12.00	C33-31	EL296UH045XE36B	5649050
13ACX-030-230	TXV	29,600	14.50	12.00	C33-31	EL296UH045XV36B	5548718
13ACX-030-230	TXV	30,000	14.50	12.00	C33-31	EL296UH070XE36B	5649051
13ACX-030-230	TXV	29,800	15.00	12.50	C33-31	EL296UH070XV36B	5548719
13ACX-030-230	TXV	29,800	14.50	12.00	C33-31	ML180DF045E36A	5548711
13ACX-030-230	TXV	29,800	14.50	12.00	C33-31	ML180DF045XE36A	5548712
13ACX-030-230	TXV	29,800	15.00	12.50	C33-31	ML180UH070E36B	5548720

NOTES:

TXV = Matched with Thermostatic Expansion Valve.

RFC = Matched with RFC metering device.

AHRI certified to AHRI Standard 210/240 (with 25 ft. of connecting refrigerant lines); 95°F outdoor air temperature, 80°F db / 67°F wb entering evaporator air.

All ratings include the use of a blower time delay relay (TDR). All Lennox variable-speed furnaces and Air Handlers have time delay capabilities. Other Furnaces and Air Handlers may require an optional time delay relay (**58M81**) for field installation. See furnace or air handler specifications to determine if relay is needed.

Also see Expansion Valve Kit Usage Table.

AHRI SYSTEM MATCHES

NOTE - For the latest up-to-date system matches please visit the AHRI web site at <http://www.ahridirectory.org>

Model No.	Expansion Device	Capacity	SEER	EER	Coil or Air Handler	Furnace	AHRI Reference
13ACX-030-230	TXV	29,800	15.00	12.50	C33-31	ML180UH070XE36B	5548721
13ACX-030-230	TXV	29,800	15.00	12.50	C33-31	ML180UH090E48B	5548722
13ACX-030-230	TXV	29,800	15.00	12.50	C33-31	ML180UH090XE48B	5548723
13ACX-030-230	TXV	29,800	15.00	12.50	C33-31	SL280UH070V36A	5548713
13ACX-030-230	TXV	29,800	15.00	12.50	C33-31	SL280UH070XV36A	5548714
13ACX-030-230	TXV	30,000	15.00	12.50	C33-31	SL280UH090V36B	5548724
13ACX-030-230	TXV	30,000	15.00	12.50	C33-31	SL280UH090V48B	5548725
13ACX-030-230	TXV	30,000	15.00	12.50	C33-31	SL280UH090XV48B	5548726
13ACX-030-230	TXV	29,800	15.00	12.50	C33-31	SLP98UH070XV36B	5548727
13ACX-030-230	TXV	28,600	13.00	11.00	C33-36		5549077
13ACX-030-230	TXV	29,200	14.50	12.00	C33-36	EL180UH045E36A	5733863
13ACX-030-230	TXV	29,200	14.50	12.00	C33-36	EL180UH045XE36A	5734145
13ACX-030-230	TXV	29,200	15.00	12.50	C33-36	EL180UH070E36B	5734537
13ACX-030-230	TXV	29,200	15.00	12.50	C33-36	EL180UH070XE36B	5734876
13ACX-030-230	TXV	29,400	15.00	12.50	C33-36	EL180UH090E48B	5735687
13ACX-030-230	TXV	29,400	15.00	12.50	C33-36	EL180UH090XE48B	5737561
13ACX-030-230	TXV	29,200	14.50	12.00	C33-36	EL195UH045XE36B	5548733
13ACX-030-230	TXV	29,400	14.50	12.00	C33-36	EL195UH070XE36B	5548734
13ACX-030-230	TXV	29,000	14.50	12.00	C33-36	EL195UH090XE48C	5548746
13ACX-030-230	TXV	29,200	14.50	12.00	C33-36	EL296UH045XE36B	5649060
13ACX-030-230	TXV	29,000	14.50	12.00	C33-36	EL296UH045XV36B	5548739
13ACX-030-230	TXV	29,400	14.50	12.00	C33-36	EL296UH070XE36B	5649061
13ACX-030-230	TXV	29,000	14.50	12.00	C33-36	EL296UH070XV36B	5548740
13ACX-030-230	TXV	29,000	14.50	12.00	C33-36	EL296UH090XE48C	5649062
13ACX-030-230	TXV	29,200	15.00	12.50	C33-36	EL296UH090XV36C	5548747
13ACX-030-230	TXV	29,200	14.50	12.00	C33-36	ML180UH045E36A	5548729
13ACX-030-230	TXV	29,200	14.50	12.00	C33-36	ML180UH045XE36A	5548730
13ACX-030-230	TXV	29,200	15.00	12.50	C33-36	ML180UH070E36B	5548735
13ACX-030-230	TXV	29,200	15.00	12.50	C33-36	ML180UH070XE36B	5548736
13ACX-030-230	TXV	29,400	15.00	12.50	C33-36	ML180UH090E48B	5548737
13ACX-030-230	TXV	29,400	15.00	12.50	C33-36	ML180UH090XE48B	5548738
13ACX-030-230	TXV	29,200	14.50	12.00	C33-36	SL280UH070V36A	5548731
13ACX-030-230	TXV	29,200	14.50	12.00	C33-36	SL280UH070XV36A	5548732
13ACX-030-230	TXV	29,400	15.00	12.50	C33-36	SL280UH090V36B	5548741
13ACX-030-230	TXV	29,600	14.50	12.50	C33-36	SL280UH090V48B	5548742
13ACX-030-230	TXV	29,600	14.50	12.50	C33-36	SL280UH090XV48B	5548743
13ACX-030-230	TXV	29,200	14.50	12.00	C33-36	SLP98UH070XV36B	5548744
13ACX-030-230	TXV	29,200	15.00	12.50	C33-36	SLP98UH090XV36C	5548745
13ACX-030-230	TXV	29,400	13.50	11.50	C33-38		5549078
13ACX-030-230	TXV	30,000	15.00	12.50	C33-38	EL180UH045E36A	5733864
13ACX-030-230	TXV	30,000	15.00	12.50	C33-38	EL180UH045XE36A	5734146
13ACX-030-230	TXV	30,000	15.00	12.50	C33-38	EL180UH070E36B	5734538
13ACX-030-230	TXV	30,000	15.00	12.50	C33-38	EL180UH070XE36B	5734877
13ACX-030-230	TXV	30,200	15.50	12.50	C33-38	EL180UH090E48B	5735688
13ACX-030-230	TXV	30,200	15.50	12.50	C33-38	EL180UH090XE48B	5737563
13ACX-030-230	TXV	30,000	15.00	12.00	C33-38	EL195UH045XE36B	5548753
13ACX-030-230	TXV	30,200	15.00	12.00	C33-38	EL195UH070XE36B	5548754
13ACX-030-230	TXV	30,000	15.00	12.00	C33-38	EL296UH045XE36B	5649063
13ACX-030-230	TXV	29,800	15.00	12.00	C33-38	EL296UH045XV36B	5548755

NOTES:

TXV = Matched with Thermostatic Expansion Valve.

RFC = Matched with RFC metering device.

AHRI certified to AHRI Standard 210/240 (with 25 ft. of connecting refrigerant lines); 95°F outdoor air temperature, 80°F db / 67°F wb entering evaporator air.

All ratings include the use of a blower time delay relay (TDR). All Lennox variable-speed furnaces and Air Handlers have time delay capabilities. Other Furnaces and Air Handlers may require an optional time delay relay (**58M81**) for field installation. See furnace or air handler specifications to determine if relay is needed.

Also see Expansion Valve Kit Usage Table.

AHRI SYSTEM MATCHES

NOTE - For the latest up-to-date system matches please visit the AHRI web site at <http://www.ahridirectory.org>

Model No.	Expansion Device	Capacity	SEER	EER	Coil or Air Handler	Furnace	AHRI Reference
13ACX-030-230	TXV	30,200	15.00	12.00	C33-38	EL296UH070XE36B	5649064
13ACX-030-230	TXV	29,800	15.00	12.50	C33-38	EL296UH070XV36B	5548756
13ACX-030-230	TXV	30,000	15.00	12.50	C33-38	ML180UH045E36A	5548748
13ACX-030-230	TXV	30,000	15.00	12.50	C33-38	ML180UH045XE36A	5548749
13ACX-030-230	TXV	30,000	15.00	12.50	C33-38	ML180UH070E36B	5548757
13ACX-030-230	TXV	30,000	15.00	12.50	C33-38	ML180UH070XE36B	5548758
13ACX-030-230	TXV	30,200	15.50	12.50	C33-38	ML180UH090E48B	5548759
13ACX-030-230	TXV	30,200	15.50	12.50	C33-38	ML180UH090XE48B	5548760
13ACX-030-230	TXV	30,000	15.00	12.50	C33-38	SL280UH070V36A	5548750
13ACX-030-230	TXV	30,000	15.00	12.50	C33-38	SL280UH070XV36A	5548751
13ACX-030-230	TXV	30,200	15.50	12.50	C33-38	SL280UH090V36B	5548761
13ACX-030-230	TXV	30,200	15.00	12.50	C33-38	SL280UH090V48B	5548762
13ACX-030-230	TXV	30,200	15.00	12.50	C33-38	SL280UH090XV48B	5548763
13ACX-030-230	TXV	30,000	15.00	12.50	C33-38	SLP98UH070XV36B	5548764
13ACX-030-230	TXV	28,600	13.00	11.00	C33-42		5549079
13ACX-030-230	TXV	29,200	15.00	12.50	C33-42	EL180UH070E36B	5734540
13ACX-030-230	TXV	29,200	15.00	12.50	C33-42	EL180UH070XE36B	5734878
13ACX-030-230	TXV	29,400	15.00	12.50	C33-42	EL180UH090E48B	5735691
13ACX-030-230	TXV	29,400	15.00	12.50	C33-42	EL180UH090XE48B	5737565
13ACX-030-230	TXV	29,200	14.50	12.00	C33-42	EL195UH045XE36B	5548766
13ACX-030-230	TXV	29,400	14.50	12.00	C33-42	EL195UH070XE36B	5548767
13ACX-030-230	TXV	29,200	14.50	12.00	C33-42	EL296UH045XE36B	5649065
13ACX-030-230	TXV	29,000	14.50	12.00	C33-42	EL296UH045XV36B	5548768
13ACX-030-230	TXV	29,400	14.50	12.00	C33-42	EL296UH070XE36B	5649066
13ACX-030-230	TXV	29,000	14.50	12.00	C33-42	EL296UH070XV36B	5548769
13ACX-030-230	TXV	29,200	15.00	12.50	C33-42	ML180UH070E36B	5548770
13ACX-030-230	TXV	29,200	15.00	12.50	C33-42	ML180UH070XE36B	5548771
13ACX-030-230	TXV	29,400	15.00	12.50	C33-42	ML180UH090E48B	5548772
13ACX-030-230	TXV	29,400	15.00	12.50	C33-42	ML180UH090XE48B	5548773
13ACX-030-230	TXV	29,400	15.00	12.50	C33-42	SL280UH090V36B	5548774
13ACX-030-230	TXV	29,600	14.50	12.50	C33-42	SL280UH090V48B	5548775
13ACX-030-230	TXV	29,600	14.50	12.50	C33-42	SL280UH090XV48B	5548776
13ACX-030-230	TXV	29,200	14.50	12.00	C33-42	SLP98UH070XV36B	5548777
13ACX-030-230	TXV	29,600	13.00	11.00	C33-43		5549080
13ACX-030-230	TXV	30,200	15.50	12.50	C33-43	EL180UH070E36B	5734526
13ACX-030-230	TXV	30,200	15.50	12.50	C33-43	EL180UH070XE36B	5734866
13ACX-030-230	TXV	30,400	15.50	12.50	C33-43	EL180UH090E48B	5735666
13ACX-030-230	TXV	30,400	15.50	12.50	C33-43	EL180UH090XE48B	5737542
13ACX-030-230	TXV	30,200	15.00	12.50	C33-43	EL195UH045XE36B	5548778
13ACX-030-230	TXV	30,400	15.00	12.50	C33-43	EL195UH070XE36B	5548779
13ACX-030-230	TXV	30,200	15.50	12.50	C33-43	EL195UH090XE48C	5548791
13ACX-030-230	TXV	30,200	15.00	12.50	C33-43	EL296UH045XE36B	5649031
13ACX-030-230	TXV	30,000	15.00	12.50	C33-43	EL296UH045XV36B	5548780
13ACX-030-230	TXV	30,400	15.00	12.50	C33-43	EL296UH070XE36B	5649032
13ACX-030-230	TXV	30,000	15.00	12.50	C33-43	EL296UH070XV36B	5548781
13ACX-030-230	TXV	30,200	15.50	12.50	C33-43	EL296UH090XE48C	5649033
13ACX-030-230	TXV	30,200	15.50	12.50	C33-43	EL296UH090XV36C	5548792
13ACX-030-230	TXV	30,200	15.50	12.50	C33-43	ML180UH070E36B	5548782
13ACX-030-230	TXV	30,200	15.50	12.50	C33-43	ML180UH070XE36B	5548783

NOTES:

TXV = Matched with Thermostatic Expansion Valve.

RFC = Matched with RFC metering device.

AHRI certified to AHRI Standard 210/240 (with 25 ft. of connecting refrigerant lines); 95°F outdoor air temperature, 80°F db / 67°F wb entering evaporator air.

All ratings include the use of a blower time delay relay (TDR). All Lennox variable-speed furnaces and Air Handlers have time delay capabilities. Other Furnaces and Air Handlers may require an optional time delay relay (**58M81**) for field installation. See furnace or air handler specifications to determine if relay is needed.

Also see Expansion Valve Kit Usage Table.

AHRI SYSTEM MATCHES

NOTE - For the latest up-to-date system matches please visit the AHRI web site at <http://www.ahridirectory.org>

Model No.	Expansion Device	Capacity	SEER	EER	Coil or Air Handler	Furnace	AHRI Reference
13ACX-030-230	TXV	30,400	15.50	12.50	C33-43	ML180UH090E48B	5548784
13ACX-030-230	TXV	30,400	15.50	12.50	C33-43	ML180UH090XE48B	5548785
13ACX-030-230	TXV	30,200	15.50	12.50	C33-43	SL280UH090V36B	5548786
13ACX-030-230	TXV	30,400	15.00	12.50	C33-43	SL280UH090V48B	5548787
13ACX-030-230	TXV	30,400	15.00	12.50	C33-43	SL280UH090XV48B	5548788
13ACX-030-230	TXV	30,200	15.00	12.50	C33-43	SLP98UH070XV36B	5548789
13ACX-030-230	TXV	30,200	15.50	12.50	C33-43	SLP98UH090XV36C	5548793
13ACX-030-230	TXV	28,800	13.00	11.00	CBX25UH-030		5732778
13ACX-030-230	TXV	29,200	13.50	11.50	CBX26UH-030		5548794
13ACX-030-230	TXV	29,600	15.00	12.50	CBX27UH-030		5548795
13ACX-030-230	TXV	29,800	15.00	12.50	CBX27UH-036		5548796
13ACX-030-230	TXV	28,200	13.00	11.00	CBX32M-018/024		5548801
13ACX-030-230	TXV	29,400	14.00	12.00	CBX32M-030		5548799
13ACX-030-230	TXV	29,200	14.00	11.50	CBX32M-036		5548800
13ACX-030-230	TXV	29,200	14.00	11.50	CBX32MV-024/030		5548802
13ACX-030-230	TXV	29,600	14.50	12.00	CBX32MV-036		5548803
13ACX-030-230	TXV	29,400	14.50	12.00	CBX40UHV-030		5548804
13ACX-030-230	TXV	29,600	14.50	12.00	CBX40UHV-036		5548805
13ACX-030-230	TXV	28,800	13.00	11.00	CH23-41		5549081
13ACX-030-230	TXV	29,600	14.50	12.00	CH23-41	EL180UH045E36A	5733854
13ACX-030-230	TXV	29,600	14.50	12.00	CH23-41	EL180UH045XE36A	5734136
13ACX-030-230	TXV	29,800	15.00	12.50	CH23-41	EL180UH070E36B	5734527
13ACX-030-230	TXV	29,800	15.00	12.50	CH23-41	EL180UH070XE36B	5734867
13ACX-030-230	TXV	29,800	15.00	12.50	CH23-41	EL180UH090E48B	5735668
13ACX-030-230	TXV	29,800	15.00	12.50	CH23-41	EL180UH090XE48B	5737544
13ACX-030-230	TXV	29,600	14.50	12.00	CH23-41	EL195UH045XE36B	5548806
13ACX-030-230	TXV	29,600	14.50	12.00	CH23-41	EL195UH070XE36B	5548807
13ACX-030-230	TXV	29,400	15.00	12.50	CH23-41	EL195UH090XE48C	5548808
13ACX-030-230	TXV	29,600	14.50	12.00	CH23-41	EL296UH045XE36B	5649034
13ACX-030-230	TXV	29,400	14.50	12.50	CH23-41	EL296UH045XV36B	5548809
13ACX-030-230	TXV	29,600	14.50	12.00	CH23-41	EL296UH070XE36B	5649035
13ACX-030-230	TXV	29,400	15.00	12.50	CH23-41	EL296UH070XV36B	5548810
13ACX-030-230	TXV	29,400	15.00	12.50	CH23-41	EL296UH090XE48C	5649036
13ACX-030-230	TXV	29,600	14.50	12.00	CH23-41	ML180UH045E36A	5548811
13ACX-030-230	TXV	29,600	14.50	12.00	CH23-41	ML180UH045XE36A	5548815
13ACX-030-230	TXV	29,800	15.00	12.50	CH23-41	ML180UH070E36B	5548812
13ACX-030-230	TXV	29,800	15.00	12.50	CH23-41	ML180UH070XE36B	5548816
13ACX-030-230	TXV	29,800	15.00	12.50	CH23-41	ML180UH090E48B	5548813
13ACX-030-230	TXV	29,800	15.00	12.50	CH23-41	ML180UH090XE48B	5548817
13ACX-030-230	TXV	29,600	15.00	12.50	CH23-41	SL280UH070V36A	5548814
13ACX-030-230	TXV	29,600	15.00	12.50	CH23-41	SL280UH070XV36A	5548818
13ACX-030-230	TXV	29,600	15.00	12.50	CH23-41	SL280UH090V36B	5548819
13ACX-030-230	TXV	29,400	15.00	12.50	CH23-41	SLP98UH070XV36B	5548820
13ACX-030-230	TXV	28,200	13.00	11.00	CH33-19		5549082
13ACX-030-230	TXV	28,600	14.00	11.50	CH33-19	EL180UH045E36A	5733856
13ACX-030-230	TXV	28,600	14.00	11.50	CH33-19	EL180UH045XE36A	5734138
13ACX-030-230	TXV	28,600	14.00	11.50	CH33-19	ML180UH045E36A	5548821
13ACX-030-230	TXV	28,600	14.00	11.50	CH33-19	ML180UH045XE36A	5548823
13ACX-030-230	TXV	28,800	14.00	12.00	CH33-19	SL280UH070V36A	5548822

NOTES:

TXV = Matched with Thermostatic Expansion Valve.

RFC = Matched with RFC metering device.

AHRI certified to AHRI Standard 210/240 (with 25 ft. of connecting refrigerant lines); 95°F outdoor air temperature, 80°F db / 67°F wb entering evaporator air.

All ratings include the use of a blower time delay relay (TDR). All Lennox variable-speed furnaces and Air Handlers have time delay capabilities. Other Furnaces and Air Handlers may require an optional time delay relay (**58M81**) for field installation. See furnace or air handler specifications to determine if relay is needed.

Also see Expansion Valve Kit Usage Table.

AHRI SYSTEM MATCHES

NOTE - For the latest up-to-date system matches please visit the AHRI web site at <http://www.ahridirectory.org>

Model No.	Expansion Device	Capacity	SEER	EER	Coil or Air Handler	Furnace	AHRI Reference
13ACX-030-230	TXV	28,800	14.00	12.00	CH33-19	SL280UH070XV36A	5548824
13ACX-030-230	TXV	29,000	13.00	11.00	CH33-25		5549083
13ACX-030-230	TXV	29,200	14.50	12.00	CH33-25	EL296UH045XV36B	5548834
13ACX-030-230	TXV	29,200	14.50	12.00	CH33-25	EL296UH070XV36B	5548835
13ACX-030-230	TXV	29,400	14.50	12.00	CH33-25	SL280UH070V36A	5548827
13ACX-030-230	TXV	29,400	14.50	12.00	CH33-25	SL280UH070XV36A	5548830
13ACX-030-230	TXV	29,400	15.00	12.50	CH33-25	SL280UH090V36B	5548838
13ACX-030-230	TXV	29,600	14.50	12.50	CH33-25	SL280UH090V48B	5548839
13ACX-030-230	TXV	29,600	14.50	12.50	CH33-25	SL280UH090XV48B	5548840
13ACX-030-230	TXV	29,200	14.50	12.00	CH33-25	SLP98UH070XV36B	5548841
13ACX-030-230	TXV	29,400	14.50	12.00	CH33-25A	EL180UH045E36A	5733857
13ACX-030-230	TXV	29,400	14.50	12.00	CH33-25A	EL180UH045XE36A	5734139
13ACX-030-230	TXV	29,400	14.50	12.00	CH33-25A	ML180UH045E36A	5548826
13ACX-030-230	TXV	29,400	14.50	12.00	CH33-25A	ML180UH045XE36A	5548829
13ACX-030-230	TXV	29,200	15.00	12.50	CH33-25B	EL180UH070E36B	5734529
13ACX-030-230	TXV	29,200	15.00	12.50	CH33-25B	EL180UH070XE36B	5734869
13ACX-030-230	TXV	29,400	15.00	12.50	CH33-25B	EL180UH090E48B	5735672
13ACX-030-230	TXV	29,400	15.00	12.50	CH33-25B	EL180UH090XE48B	5737548
13ACX-030-230	TXV	29,200	14.50	12.00	CH33-25B	EL195UH045XE36B	5548828
13ACX-030-230	TXV	29,400	14.50	12.00	CH33-25B	EL195UH070XE36B	5548833
13ACX-030-230	TXV	29,200	14.50	12.00	CH33-25B	EL296UH045XE36B	5649039
13ACX-030-230	TXV	29,400	14.50	12.00	CH33-25B	EL296UH070XE36B	5649040
13ACX-030-230	TXV	29,200	15.00	12.50	CH33-25B	ML180UH070E36B	5548836
13ACX-030-230	TXV	29,200	15.00	12.50	CH33-25B	ML180UH070XE36B	5548831
13ACX-030-230	TXV	29,400	15.00	12.50	CH33-25B	ML180UH090E48B	5548837
13ACX-030-230	TXV	29,400	15.00	12.50	CH33-25B	ML180UH090XE48B	5548832
13ACX-030-230	TXV	29,400	13.00	11.00	CH33-31		5549084
13ACX-030-230	TXV	29,800	15.00	12.00	CH33-31	EL296UH045XV36B	5548851
13ACX-030-230	TXV	29,800	15.00	12.50	CH33-31	EL296UH070XV36B	5548852
13ACX-030-230	TXV	29,800	15.00	12.00	CH33-31	SL280UH070V36A	5548844
13ACX-030-230	TXV	29,800	15.00	12.00	CH33-31	SL280UH070XV36A	5548846
13ACX-030-230	TXV	30,200	15.50	12.50	CH33-31	SL280UH090V36B	5548855
13ACX-030-230	TXV	30,200	15.00	12.50	CH33-31	SL280UH090V48B	5548856
13ACX-030-230	TXV	30,000	15.00	12.50	CH33-31	SL280UH090XV48B	5548848
13ACX-030-230	TXV	30,000	15.00	12.50	CH33-31	SLP98UH070XV36B	5548857
13ACX-030-230	TXV	29,800	14.50	12.00	CH33-31A	EL180UH045E36A	5733860
13ACX-030-230	TXV	29,800	14.50	12.00	CH33-31A	EL180UH045XE36A	5734142
13ACX-030-230	TXV	29,800	14.50	12.00	CH33-31A	ML180UH045E36A	5548843
13ACX-030-230	TXV	29,800	14.50	12.00	CH33-31A	ML180UH045XE36A	5548845
13ACX-030-230	TXV	30,000	15.00	12.50	CH33-31B	EL180UH070E36B	5734530
13ACX-030-230	TXV	30,000	15.00	12.50	CH33-31B	EL180UH070XE36B	5734870
13ACX-030-230	TXV	30,000	15.00	12.50	CH33-31B	EL180UH090E48B	5735674
13ACX-030-230	TXV	30,000	14.50	12.00	CH33-31B	EL195UH045XE36B	5548849
13ACX-030-230	TXV	30,200	15.00	12.50	CH33-31B	EL195UH070XE36B	5548850
13ACX-030-230	TXV	30,000	14.50	12.00	CH33-31B	EL296UH045XE36B	5649043
13ACX-030-230	TXV	30,200	15.00	12.50	CH33-31B	EL296UH070XE36B	5649044
13ACX-030-230	TXV	30,000	15.00	12.50	CH33-31B	ML180UH070E36B	5548853
13ACX-030-230	TXV	30,000	15.00	12.50	CH33-31B	ML180UH070XE36B	5548847
13ACX-030-230	TXV	30,000	15.00	12.50	CH33-31B	ML180UH090E48B	5548854

NOTES:

TXV = Matched with Thermostatic Expansion Valve.

RFC = Matched with RFC metering device.

AHRI certified to AHRI Standard 210/240 (with 25 ft. of connecting refrigerant lines); 95°F outdoor air temperature, 80°F db / 67°F wb entering evaporator air.

All ratings include the use of a blower time delay relay (TDR). All Lennox variable-speed furnaces and Air Handlers have time delay capabilities. Other Furnaces and Air Handlers may require an optional time delay relay (**58M81**) for field installation. See furnace or air handler specifications to determine if relay is needed.

Also see Expansion Valve Kit Usage Table.

AHRI SYSTEM MATCHES

NOTE - For the latest up-to-date system matches please visit the AHRI web site at <http://www.ahridirectory.org>

Model No.	Expansion Device	Capacity	SEER	EER	Coil or Air Handler	Furnace	AHRI Reference
13ACX-030-230	TXV	28,600	13.00	11.00	CH33-36		5549085
13ACX-030-230	TXV	29,000	14.50	12.00	CH33-36	EL296UH045XV36B	5548868
13ACX-030-230	TXV	29,000	14.50	12.00	CH33-36	EL296UH070XV36B	5548869
13ACX-030-230	TXV	29,400	15.00	12.50	CH33-36	EL296UH090XV36C	5548877
13ACX-030-230	TXV	29,200	14.50	12.00	CH33-36	SL280UH070V36A	5548860
13ACX-030-230	TXV	29,200	14.50	12.00	CH33-36	SL280UH070XV36A	5548862
13ACX-030-230	TXV	29,400	15.00	12.50	CH33-36	SL280UH090V36B	5548872
13ACX-030-230	TXV	29,600	14.50	12.50	CH33-36	SL280UH090V48B	5548873
13ACX-030-230	TXV	29,600	14.50	12.50	CH33-36	SL280UH090XV48B	5548865
13ACX-030-230	TXV	29,200	14.50	12.00	CH33-36	SLP98UH070XV36B	5548874
13ACX-030-230	TXV	29,400	15.00	12.50	CH33-36	SLP98UH090XV36C	5548876
13ACX-030-230	TXV	29,000	14.50	12.00	CH33-36A	EL180UH045E36A	5733862
13ACX-030-230	TXV	29,000	14.50	12.00	CH33-36A	EL180UH045XE36A	5734144
13ACX-030-230	TXV	29,000	14.50	12.00	CH33-36A	ML180UH045E36A	5548859
13ACX-030-230	TXV	29,000	14.50	12.00	CH33-36A	ML180UH045XE36A	5548861
13ACX-030-230	TXV	29,200	14.50	12.50	CH33-36B	EL180UH070E36B	5734533
13ACX-030-230	TXV	29,200	14.50	12.50	CH33-36B	EL180UH070XE36B	5734871
13ACX-030-230	TXV	29,400	15.00	12.50	CH33-36B	EL180UH090E48B	5735678
13ACX-030-230	TXV	29,400	15.00	12.50	CH33-36B	EL180UH090XE48B	5737552
13ACX-030-230	TXV	29,200	14.50	12.00	CH33-36B	EL195UH045XE36B	5548866
13ACX-030-230	TXV	29,400	14.50	12.00	CH33-36B	EL195UH070XE36B	5548867
13ACX-030-230	TXV	29,200	14.50	12.00	CH33-36B	EL296UH045XE36B	5649048
13ACX-030-230	TXV	29,400	14.50	12.00	CH33-36B	EL296UH070XE36B	5649049
13ACX-030-230	TXV	29,200	14.50	12.50	CH33-36B	ML180UH070E36B	5548870
13ACX-030-230	TXV	29,200	14.50	12.50	CH33-36B	ML180UH070XE36B	5548863
13ACX-030-230	TXV	29,400	15.00	12.50	CH33-36B	ML180UH090E48B	5548871
13ACX-030-230	TXV	29,400	15.00	12.50	CH33-36B	ML180UH090XE48B	5548864
13ACX-030-230	TXV	29,400	15.00	12.50	CH33-36C	EL195UH090XE48C	5548875
13ACX-030-230	TXV	29,400	15.00	12.50	CH33-36C	EL296UH090XE48C	5649052
13ACX-030-230	TXV	29,200	13.50	11.00	CH33-42		5549086
13ACX-030-230	TXV	29,800	15.00	12.50	CH33-42	EL180UH070E36B	5734535
13ACX-030-230	TXV	29,800	15.00	12.50	CH33-42	EL180UH070XE36B	5734874
13ACX-030-230	TXV	29,800	15.00	12.50	CH33-42	EL180UH090E48B	5735680
13ACX-030-230	TXV	29,800	15.00	12.50	CH33-42	EL180UH090XE48B	5737557
13ACX-030-230	TXV	29,800	14.50	12.00	CH33-42	EL195UH045XE36B	5548879
13ACX-030-230	TXV	29,800	14.50	12.00	CH33-42	EL195UH070XE36B	5548880
13ACX-030-230	TXV	29,800	14.50	12.00	CH33-42	EL296UH045XE36B	5649053
13ACX-030-230	TXV	29,600	14.50	12.00	CH33-42	EL296UH045XV36B	5548881
13ACX-030-230	TXV	29,800	14.50	12.00	CH33-42	EL296UH070XE36B	5649054
13ACX-030-230	TXV	29,600	15.00	12.50	CH33-42	EL296UH070XV36B	5548882
13ACX-030-230	TXV	29,800	15.00	12.50	CH33-42	ML180UH070E36B	5548883
13ACX-030-230	TXV	29,800	15.00	12.50	CH33-42	ML180UH070XE36B	5548887
13ACX-030-230	TXV	29,800	15.00	12.50	CH33-42	ML180UH090E48B	5548884
13ACX-030-230	TXV	29,800	15.00	12.50	CH33-42	ML180UH090XE48B	5548888
13ACX-030-230	TXV	30,000	15.00	12.50	CH33-42	SL280UH090V36B	5548885
13ACX-030-230	TXV	30,000	15.00	12.50	CH33-42	SL280UH090V48B	5548886
13ACX-030-230	TXV	30,000	15.00	12.50	CH33-42	SL280UH090XV48B	5548889
13ACX-030-230	TXV	29,800	15.00	12.50	CH33-42	SLP98UH070XV36B	5548890
13ACX-030-230	TXV	29,600	13.50	11.50	CH33-43		5549087

NOTES:

TXV = Matched with Thermostatic Expansion Valve.

RFC = Matched with RFC metering device.

AHRI certified to AHRI Standard 210/240 (with 25 ft. of connecting refrigerant lines); 95°F outdoor air temperature, 80°F db / 67°F wb entering evaporator air.

All ratings include the use of a blower time delay relay (TDR). All Lennox variable-speed furnaces and Air Handlers have time delay capabilities. Other Furnaces and Air Handlers may require an optional time delay relay (**58M81**) for field installation. See furnace or air handler specifications to determine if relay is needed.

Also see Expansion Valve Kit Usage Table.

AHRI SYSTEM MATCHES

NOTE - For the latest up-to-date system matches please visit the AHRI web site at <http://www.ahridirectory.org>

Model No.	Expansion Device	Capacity	SEER	EER	Coil or Air Handler	Furnace	AHRI Reference
13ACX-030-230	TXV	30,400	15.50	12.50	CH33-43B	EL180UH070E36B	5734536
13ACX-030-230	TXV	30,400	15.50	12.50	CH33-43B	EL180UH070XE36B	5734875
13ACX-030-230	TXV	30,600	15.50	12.50	CH33-43B	EL180UH090E48B	5735684
13ACX-030-230	TXV	30,600	15.50	12.50	CH33-43B	EL180UH090XE48B	5737559
13ACX-030-230	TXV	30,400	15.00	12.50	CH33-43B	EL195UH045XE36B	5548892
13ACX-030-230	TXV	30,600	15.00	12.50	CH33-43B	EL195UH070XE36B	5548893
13ACX-030-230	TXV	30,400	15.00	12.50	CH33-43B	EL296UH045XE36B	5649055
13ACX-030-230	TXV	30,200	15.00	12.50	CH33-43B	EL296UH045XV36B	5548894
13ACX-030-230	TXV	30,600	15.00	12.50	CH33-43B	EL296UH070XE36B	5649056
13ACX-030-230	TXV	30,200	15.50	12.50	CH33-43B	EL296UH070XV36B	5548895
13ACX-030-230	TXV	30,400	15.50	12.50	CH33-43B	ML180UH070E36B	5548896
13ACX-030-230	TXV	30,400	15.50	12.50	CH33-43B	ML180UH070XE36B	5548900
13ACX-030-230	TXV	30,600	15.50	12.50	CH33-43B	ML180UH090E48B	5548897
13ACX-030-230	TXV	30,600	15.50	12.50	CH33-43B	ML180UH090XE48B	5548901
13ACX-030-230	TXV	30,600	15.50	13.00	CH33-43B	SL280UH090V36B	5548898
13ACX-030-230	TXV	30,800	15.50	12.50	CH33-43B	SL280UH090V48B	5548899
13ACX-030-230	TXV	30,600	15.50	12.50	CH33-43B	SL280UH090XV48B	5548902
13ACX-030-230	TXV	30,400	15.00	12.50	CH33-43B	SLP98UH070XV36B	5548903
13ACX-030-230	TXV	30,200	15.00	12.50	CH33-43C	EL195UH090XE48C	5548904
13ACX-030-230	TXV	30,200	15.00	12.50	CH33-43C	EL296UH090XE48C	5649057
13ACX-030-230	TXV	30,200	15.50	12.50	CH33-43C	EL296UH090XV36C	5548905
13ACX-030-230	TXV	30,200	15.50	12.50	CH33-43C	SLP98UH090XV36C	5548906
13ACX-030-230	TXV	29,600	13.50	11.50	CH33-48		5549088
13ACX-030-230	TXV	30,000	15.00	12.50	CH33-48	EL296UH090XV36C	5548908
13ACX-030-230	TXV	30,000	15.00	12.50	CH33-48	SLP98UH090XV36C	5548909
13ACX-030-230	TXV	27,400	13.00	10.50	CR33-24		5548912
13ACX-030-230	TXV	27,400	13.00	10.50	CR33-24		5549089
13ACX-030-230	TXV	28,000	13.50	11.50	CR33-24	EL180DF045E36A	5733344
13ACX-030-230	TXV	28,200	13.50	11.50	CR33-24	EL180DF070E36B	5733431
13ACX-030-230	TXV	27,800	13.50	11.50	CR33-24	EL195DF045XE36B	5548913
13ACX-030-230	TXV	28,000	13.50	11.50	CR33-24	EL195DF070XE36B	5548914
13ACX-030-230	TXV	27,800	13.50	11.50	CR33-24	EL296DF045XE36B	5649058
13ACX-030-230	TXV	28,200	14.00	11.50	CR33-24	EL296DF045XV36B	5548915
13ACX-030-230	TXV	28,000	13.50	11.50	CR33-24	EL296DF070XE48B	5765601
13ACX-030-230	TXV	28,000	13.50	11.50	CR33-24	ML180DF045E36A	5548910
13ACX-030-230	TXV	28,200	13.50	11.50	CR33-24	ML180DF070E36B	5548916
13ACX-030-230	TXV	28,200	14.00	11.50	CR33-24	SL280DF070V36A	5548911
13ACX-030-230	TXV	27,600	13.50	11.50	CR33-24	SL280DF090V48B	5548917
13ACX-030-230	TXV	29,000	13.50	11.00	CR33-30/36		5549090
13ACX-030-230	TXV	29,600	14.50	12.00	CR33-30/36	EL180DF045E36A	5733345
13ACX-030-230	TXV	29,600	15.00	12.50	CR33-30/36	EL180DF070E36B	5733433
13ACX-030-230	TXV	29,400	14.50	12.00	CR33-30/36	EL180DF090E48B	5733485
13ACX-030-230	TXV	29,400	14.50	12.00	CR33-30/36	EL195DF045XE36B	5548921
13ACX-030-230	TXV	29,600	14.50	12.00	CR33-30/36	EL195DF070XE36B	5548922
13ACX-030-230	TXV	29,400	15.00	12.00	CR33-30/36	EL195DF090XE48C	5548929
13ACX-030-230	TXV	29,600	14.50	12.00	CR33-30/36	EL296DF045V36B	5548923
13ACX-030-230	TXV	29,400	14.50	12.00	CR33-30/36	EL296DF045XE36B	5649067
13ACX-030-230	TXV	29,600	14.50	12.00	CR33-30/36	EL296DF070V48B	5548924
13ACX-030-230	TXV	29,600	14.50	12.00	CR33-30/36	EL296DF070XE48B	5765602

NOTES:

TXV = Matched with Thermostatic Expansion Valve.

RFC = Matched with RFC metering device.

AHRI certified to AHRI Standard 210/240 (with 25 ft. of connecting refrigerant lines); 95°F outdoor air temperature, 80°F db / 67°F wb entering evaporator air.

All ratings include the use of a blower time delay relay (TDR). All Lennox variable-speed furnaces and Air Handlers have time delay capabilities. Other Furnaces and Air Handlers may require an optional time delay relay (**58M81**) for field installation. See furnace or air handler specifications to determine if relay is needed.

Also see Expansion Valve Kit Usage Table.

AHRI SYSTEM MATCHES

NOTE - For the latest up-to-date system matches please visit the AHRI web site at <http://www.ahridirectory.org>

Model No.	Expansion Device	Capacity	SEER	EER	Coil or Air Handler	Furnace	AHRI Reference
13ACX-030-230	TXV	29,400	15.00	12.00	CR33-30/36	EL296DF090XE48C	5649069
13ACX-030-230	TXV	29,600	14.50	12.00	CR33-30/36	ML180DF045E36A	5548919
13ACX-030-230	TXV	29,600	15.00	12.50	CR33-30/36	ML180DF070E36B	5548925
13ACX-030-230	TXV	29,400	14.50	12.00	CR33-30/36	ML180DF090E48B	5548926
13ACX-030-230	TXV	29,600	14.50	12.00	CR33-30/36	SL280DF070V36A	5548920
13ACX-030-230	TXV	29,200	15.00	12.50	CR33-30/36	SL280DF090V48B	5548927
13ACX-030-230	TXV	29,400	14.50	12.00	CR33-30/36	SLP98DF070XV36B	5548928
13ACX-030-230	TXV	29,600	15.00	12.50	CR33-30/36	SLP98DF090XV36C	5548930
13ACX-030-230	TXV	27,800	13.50	11.50	CX34-18/24	EL180UH045E36A	5733865
13ACX-030-230	TXV	27,800	13.50	11.50	CX34-18/24	EL180UH045XE36A	5734147
13ACX-030-230	TXV	28,200	13.50	11.50	CX34-18/24	EL180UH070E36B	5734541
13ACX-030-230	TXV	28,200	13.50	11.50	CX34-18/24	EL180UH070XE36B	5734879
13ACX-030-230	TXV	27,800	13.50	11.50	CX34-18/24	EL180UH090E48B	5735692
13ACX-030-230	TXV	27,800	13.50	11.50	CX34-18/24	EL180UH090XE48B	5737567
13ACX-030-230	TXV	27,800	13.50	11.50	CX34-18/24	EL195UH045XE36B	5548940
13ACX-030-230	TXV	28,000	13.50	11.50	CX34-18/24	EL195UH070XE36B	5548941
13ACX-030-230	TXV	27,800	13.50	11.50	CX34-18/24	EL296UH045XE36B	5649070
13ACX-030-230	TXV	28,000	13.50	11.50	CX34-18/24	EL296UH070XE36B	5649071
13ACX-030-230	TXV	27,800	13.50	11.00	CX34-18/24	EL296UH070XV36B	5548946
13ACX-030-230	TXV	27,800	13.50	11.50	CX34-18/24	EL296UH090XV36C	5558648
13ACX-030-230	TXV	27,800	13.50	11.50	CX34-18/24	ML180UH045E36A	5548931
13ACX-030-230	TXV	27,800	13.50	11.50	CX34-18/24	ML180UH045XE36A	5548932
13ACX-030-230	TXV	28,200	13.50	11.50	CX34-18/24	ML180UH070E36B	5548942
13ACX-030-230	TXV	28,200	13.50	11.50	CX34-18/24	ML180UH070XE36B	5548943
13ACX-030-230	TXV	27,800	13.50	11.50	CX34-18/24	ML180UH090E48B	5548944
13ACX-030-230	TXV	27,800	13.50	11.50	CX34-18/24	ML180UH090XE48B	5548945
13ACX-030-230	TXV	28,000	13.50	11.50	CX34-18/24	SL280UH070V36A	5548933
13ACX-030-230	TXV	28,000	13.50	11.50	CX34-18/24	SL280UH070XV36A	5548934
13ACX-030-230	TXV	28,200	13.50	11.50	CX34-18/24	SL280UH090V36B	5548935
13ACX-030-230	TXV	28,400	13.50	11.50	CX34-18/24	SL280UH090V48B	5548936
13ACX-030-230	TXV	28,400	13.50	11.50	CX34-18/24	SL280UH090XV48B	5548937
13ACX-030-230	TXV	28,000	13.50	11.50	CX34-18/24	SLP98UH070XV36B	5548938
13ACX-030-230	TXV	28,000	13.50	11.50	CX34-18/24	SLP98UH090XV36C	5548939
13ACX-030-230	TXV	28,400	13.00	11.00	CX34-19		5548948
13ACX-030-230	TXV	28,800	14.00	12.00	CX34-19	EL180UH045E36A	5733866
13ACX-030-230	TXV	28,800	14.00	12.00	CX34-19	EL180UH045XE36A	5734148
13ACX-030-230	TXV	28,800	14.00	12.00	CX34-19	ML180UH045E36A	5548949
13ACX-030-230	TXV	28,800	14.00	12.00	CX34-19	ML180UH045XE36A	5548950
13ACX-030-230	TXV	28,800	14.50	12.00	CX34-19	SL280UH070V36A	5548951
13ACX-030-230	TXV	28,800	14.50	12.00	CX34-19	SL280UH070XV36A	5548952
13ACX-030-230	TXV	28,800	13.50	11.00	CX34-25		5548956
13ACX-030-230	TXV	29,200	14.50	12.00	CX34-25	EL180UH045E36A	5733867
13ACX-030-230	TXV	29,200	14.50	12.00	CX34-25	EL180UH045XE36A	5734149
13ACX-030-230	TXV	29,200	14.50	12.00	CX34-25	EL195UH045XE36B	5548958
13ACX-030-230	TXV	29,400	14.50	12.00	CX34-25	EL195UH070XE36B	5548959
13ACX-030-230	TXV	29,200	14.50	12.00	CX34-25	EL296UH045XE36B	5649072
13ACX-030-230	TXV	29,200	14.50	12.00	CX34-25	EL296UH045XV36B	5548960
13ACX-030-230	TXV	29,400	14.50	12.00	CX34-25	EL296UH070XE36B	5649073
13ACX-030-230	TXV	29,200	14.50	12.00	CX34-25	EL296UH070XV36B	5548961

NOTES:

TXV = Matched with Thermostatic Expansion Valve.

RFC = Matched with RFC metering device.

AHRI certified to AHRI Standard 210/240 (with 25 ft. of connecting refrigerant lines); 95°F outdoor air temperature, 80°F db / 67°F wb entering evaporator air.

All ratings include the use of a blower time delay relay (TDR). All Lennox variable-speed furnaces and Air Handlers have time delay capabilities. Other Furnaces and Air Handlers may require an optional time delay relay (**58M81**) for field installation. See furnace or air handler specifications to determine if relay is needed.

Also see Expansion Valve Kit Usage Table.

AHRI SYSTEM MATCHES

NOTE - For the latest up-to-date system matches please visit the AHRI web site at <http://www.ahridirectory.org>

Model No.	Expansion Device	Capacity	SEER	EER	Coil or Air Handler	Furnace	AHRI Reference
13ACX-030-230	TXV	29,200	14.50	12.00	CX34-25	ML180UH045E36A	5548953
13ACX-030-230	TXV	29,200	14.50	12.00	CX34-25	ML180UH045XE36A	5548954
13ACX-030-230	TXV	29,400	14.50	12.00	CX34-25	SL280UH070V36A	5548955
13ACX-030-230	TXV	29,400	14.50	12.00	CX34-25	SL280UH070XV36A	5548957
13ACX-030-230	TXV	29,400	14.50	12.00	CX34-25	SL280UH090V36B	5548962
13ACX-030-230	TXV	29,600	14.50	12.00	CX34-25	SL280UH090V48B	5548963
13ACX-030-230	TXV	29,600	14.50	12.00	CX34-25	SL280UH090XV48B	5548964
13ACX-030-230	TXV	29,200	14.50	12.00	CX34-25	SLP98UH070XV36B	5548965
13ACX-030-230	TXV	28,200	13.00	11.00	CX34-30		5548968
13ACX-030-230	TXV	28,400	14.00	11.50	CX34-30	EL180UH045E36A	5733868
13ACX-030-230	TXV	28,400	14.00	11.50	CX34-30	EL180UH045XE36A	5734150
13ACX-030-230	TXV	28,400	14.00	12.00	CX34-30	EL180UH070E36B	5734542
13ACX-030-230	TXV	28,400	14.00	12.00	CX34-30	EL180UH070XE36B	5734880
13ACX-030-230	TXV	28,400	14.00	12.00	CX34-30	EL180UH090E48B	5735695
13ACX-030-230	TXV	28,400	14.00	12.00	CX34-30	EL180UH090XE48B	5737569
13ACX-030-230	TXV	28,400	13.50	11.50	CX34-30	EL195UH045XE36B	5548978
13ACX-030-230	TXV	28,600	13.50	11.50	CX34-30	EL195UH070XE36B	5548979
13ACX-030-230	TXV	28,800	14.00	12.00	CX34-30	EL195UH090XE48C	5548984
13ACX-030-230	TXV	28,400	13.50	11.50	CX34-30	EL296UH045XE36B	5649074
13ACX-030-230	TXV	28,600	14.00	11.50	CX34-30	EL296UH045XV36B	5548969
13ACX-030-230	TXV	28,600	13.50	11.50	CX34-30	EL296UH070XE36B	5649075
13ACX-030-230	TXV	28,600	14.00	12.00	CX34-30	EL296UH070XV36B	5548970
13ACX-030-230	TXV	28,800	14.00	12.00	CX34-30	EL296UH090XE48C	5649076
13ACX-030-230	TXV	28,600	14.00	12.00	CX34-30	EL296UH090XV36C	5548985
13ACX-030-230	TXV	28,400	14.00	11.50	CX34-30	ML180UH045E36A	5548966
13ACX-030-230	TXV	28,400	14.00	11.50	CX34-30	ML180UH045XE36A	5548967
13ACX-030-230	TXV	28,400	14.00	12.00	CX34-30	ML180UH070E36B	5548980
13ACX-030-230	TXV	28,400	14.00	12.00	CX34-30	ML180UH070XE36B	5548981
13ACX-030-230	TXV	28,400	14.00	12.00	CX34-30	ML180UH090E48B	5548982
13ACX-030-230	TXV	28,400	14.00	12.00	CX34-30	ML180UH090XE48B	5548983
13ACX-030-230	TXV	28,800	14.00	12.00	CX34-30	SL280UH070V36A	5548971
13ACX-030-230	TXV	28,800	14.00	12.00	CX34-30	SL280UH070XV36A	5548972
13ACX-030-230	TXV	28,800	14.00	12.00	CX34-30	SL280UH090V36B	5548973
13ACX-030-230	TXV	29,000	14.00	12.00	CX34-30	SL280UH090V48B	5548974
13ACX-030-230	TXV	29,000	14.00	12.00	CX34-30	SL280UH090XV48B	5548975
13ACX-030-230	TXV	28,600	14.00	11.50	CX34-30	SLP98UH070XV36B	5548976
13ACX-030-230	TXV	28,600	14.00	12.00	CX34-30	SLP98UH090XV36C	5548977
13ACX-030-230	TXV	29,200	13.50	11.00	CX34-31		5548990
13ACX-030-230	TXV	29,800	14.50	12.00	CX34-31	EL180DF045E36A	5733347
13ACX-030-230	TXV	29,800	14.50	12.00	CX34-31	EL180DF045XE36A	5733374
13ACX-030-230	TXV	29,800	15.00	12.50	CX34-31	EL180UH070E36B	5734543
13ACX-030-230	TXV	29,800	15.00	12.50	CX34-31	EL180UH070XE36B	5734881
13ACX-030-230	TXV	29,800	15.00	12.50	CX34-31	EL180UH090E48B	5735697
13ACX-030-230	TXV	29,800	15.00	12.50	CX34-31	EL180UH090XE48B	5737571
13ACX-030-230	TXV	29,800	14.50	12.00	CX34-31	EL195UH045XE36B	5548991
13ACX-030-230	TXV	30,000	14.50	12.00	CX34-31	EL195UH070XE36B	5548992
13ACX-030-230	TXV	29,800	14.50	12.00	CX34-31	EL296UH045XE36B	5649077
13ACX-030-230	TXV	29,600	14.50	12.00	CX34-31	EL296UH045XV36B	5548993
13ACX-030-230	TXV	30,000	14.50	12.00	CX34-31	EL296UH070XE36B	5649078

NOTES:

TXV = Matched with Thermostatic Expansion Valve.

RFC = Matched with RFC metering device.

AHRI certified to AHRI Standard 210/240 (with 25 ft. of connecting refrigerant lines); 95°F outdoor air temperature, 80°F db / 67°F wb entering evaporator air.

All ratings include the use of a blower time delay relay (TDR). All Lennox variable-speed furnaces and Air Handlers have time delay capabilities. Other Furnaces and Air Handlers may require an optional time delay relay (**58M81**) for field installation. See furnace or air handler specifications to determine if relay is needed.

Also see Expansion Valve Kit Usage Table.

AHRI SYSTEM MATCHES

NOTE - For the latest up-to-date system matches please visit the AHRI web site at <http://www.ahridirectory.org>

Model No.	Expansion Device	Capacity	SEER	EER	Coil or Air Handler	Furnace	AHRI Reference
13ACX-030-230	TXV	29,800	15.00	12.50	CX34-31	EL296UH070XV36B	5548994
13ACX-030-230	TXV	29,800	14.50	12.00	CX34-31	ML180DF045E36A	5548986
13ACX-030-230	TXV	29,800	14.50	12.00	CX34-31	ML180DF045XE36A	5548987
13ACX-030-230	TXV	29,800	15.00	12.50	CX34-31	ML180UH070E36B	5548995
13ACX-030-230	TXV	29,800	15.00	12.50	CX34-31	ML180UH070XE36B	5548996
13ACX-030-230	TXV	29,800	15.00	12.50	CX34-31	ML180UH090E48B	5548997
13ACX-030-230	TXV	29,800	15.00	12.50	CX34-31	ML180UH090XE48B	5548998
13ACX-030-230	TXV	29,800	15.00	12.50	CX34-31	SL280UH070V36A	5548988
13ACX-030-230	TXV	29,800	15.00	12.50	CX34-31	SL280UH070XV36A	5548989
13ACX-030-230	TXV	30,000	15.00	12.50	CX34-31	SL280UH090V36B	5548999
13ACX-030-230	TXV	30,000	15.00	12.50	CX34-31	SL280UH090V48B	5549000
13ACX-030-230	TXV	30,000	15.00	12.50	CX34-31	SL280UH090XV48B	5549001
13ACX-030-230	TXV	29,800	15.00	12.50	CX34-31	SLP98UH070XV36B	5549002
13ACX-030-230	TXV	28,600	13.00	11.00	CX34-36		5549003
13ACX-030-230	TXV	29,200	14.50	12.00	CX34-36	EL180UH045E36A	5733869
13ACX-030-230	TXV	29,200	14.50	12.00	CX34-36	EL180UH045XE36A	5734151
13ACX-030-230	TXV	29,200	15.00	12.50	CX34-36	EL180UH070E36B	5734544
13ACX-030-230	TXV	29,200	15.00	12.50	CX34-36	EL180UH070XE36B	5734882
13ACX-030-230	TXV	29,400	15.00	12.50	CX34-36	EL180UH090E48B	5735698
13ACX-030-230	TXV	29,400	15.00	12.50	CX34-36	EL180UH090XE48B	5737572
13ACX-030-230	TXV	29,200	14.50	12.00	CX34-36	EL195UH045XE36B	5549008
13ACX-030-230	TXV	29,400	14.50	12.00	CX34-36	EL195UH070XE36B	5549009
13ACX-030-230	TXV	29,000	14.50	12.00	CX34-36	EL195UH090XE48C	5549021
13ACX-030-230	TXV	29,200	14.50	12.00	CX34-36	EL296UH045XE36B	5649079
13ACX-030-230	TXV	29,000	14.50	12.00	CX34-36	EL296UH045XV36B	5549014
13ACX-030-230	TXV	29,400	14.50	12.00	CX34-36	EL296UH070XE36B	5649080
13ACX-030-230	TXV	29,000	14.50	12.00	CX34-36	EL296UH070XV36B	5549015
13ACX-030-230	TXV	29,000	14.50	12.00	CX34-36	EL296UH090XE48C	5649081
13ACX-030-230	TXV	29,200	15.00	12.50	CX34-36	EL296UH090XV36C	5549022
13ACX-030-230	TXV	29,200	14.50	12.00	CX34-36	ML180UH045E36A	5549004
13ACX-030-230	TXV	29,200	14.50	12.00	CX34-36	ML180UH045XE36A	5549005
13ACX-030-230	TXV	29,200	15.00	12.50	CX34-36	ML180UH070E36B	5549010
13ACX-030-230	TXV	29,200	15.00	12.50	CX34-36	ML180UH070XE36B	5549011
13ACX-030-230	TXV	29,400	15.00	12.50	CX34-36	ML180UH090E48B	5549012
13ACX-030-230	TXV	29,400	15.00	12.50	CX34-36	ML180UH090XE48B	5549013
13ACX-030-230	TXV	29,200	14.50	12.00	CX34-36	SL280UH070V36A	5549006
13ACX-030-230	TXV	29,200	14.50	12.00	CX34-36	SL280UH070XV36A	5549007
13ACX-030-230	TXV	29,400	15.00	12.50	CX34-36	SL280UH090V36B	5549016
13ACX-030-230	TXV	29,600	14.50	12.50	CX34-36	SL280UH090V48B	5549017
13ACX-030-230	TXV	29,600	14.50	12.50	CX34-36	SL280UH090XV48B	5549018
13ACX-030-230	TXV	29,200	14.50	12.00	CX34-36	SLP98UH070XV36B	5549019
13ACX-030-230	TXV	29,200	15.00	12.50	CX34-36	SLP98UH090XV36C	5549020
13ACX-030-230	TXV	29,400	13.50	11.50	CX34-38		5549027
13ACX-030-230	TXV	30,000	15.00	12.50	CX34-38	EL180UH045E36A	5733870
13ACX-030-230	TXV	30,000	15.00	12.50	CX34-38	EL180UH045XE36A	5734152
13ACX-030-230	TXV	30,000	15.00	12.50	CX34-38	EL180UH070E36B	5734545
13ACX-030-230	TXV	30,000	15.00	12.50	CX34-38	EL180UH070XE36B	5734883
13ACX-030-230	TXV	30,200	15.50	12.50	CX34-38	EL180UH090E48B	5735700
13ACX-030-230	TXV	30,200	15.50	12.50	CX34-38	EL180UH090XE48B	5737574

NOTES:

TXV = Matched with Thermostatic Expansion Valve.

RFC = Matched with RFC metering device.

AHRI certified to AHRI Standard 210/240 (with 25 ft. of connecting refrigerant lines); 95°F outdoor air temperature, 80°F db / 67°F wb entering evaporator air.

All ratings include the use of a blower time delay relay (TDR). All Lennox variable-speed furnaces and Air Handlers have time delay capabilities. Other Furnaces and Air Handlers may require an optional time delay relay (**58M81**) for field installation. See furnace or air handler specifications to determine if relay is needed.

Also see Expansion Valve Kit Usage Table.

AHRI SYSTEM MATCHES

NOTE - For the latest up-to-date system matches please visit the AHRI web site at <http://www.ahridirectory.org>

Model No.	Expansion Device	Capacity	SEER	EER	Coil or Air Handler	Furnace	AHRI Reference
13ACX-030-230	TXV	30,000	15.00	12.00	CX34-38	EL195UH045XE36B	5549028
13ACX-030-230	TXV	30,200	15.00	12.00	CX34-38	EL195UH070XE36B	5549029
13ACX-030-230	TXV	30,000	15.00	12.00	CX34-38	EL296UH045XE36B	5649082
13ACX-030-230	TXV	29,800	15.00	12.00	CX34-38	EL296UH045XV36B	5549030
13ACX-030-230	TXV	30,200	15.00	12.00	CX34-38	EL296UH070XE36B	5649083
13ACX-030-230	TXV	29,800	15.00	12.50	CX34-38	EL296UH070XV36B	5549031
13ACX-030-230	TXV	30,000	15.00	12.50	CX34-38	ML180UH045E36A	5549023
13ACX-030-230	TXV	30,000	15.00	12.50	CX34-38	ML180UH045XE36A	5549024
13ACX-030-230	TXV	30,000	15.00	12.50	CX34-38	ML180UH070E36B	5549032
13ACX-030-230	TXV	30,000	15.00	12.50	CX34-38	ML180UH070XE36B	5549033
13ACX-030-230	TXV	30,200	15.50	12.50	CX34-38	ML180UH090E48B	5549034
13ACX-030-230	TXV	30,200	15.50	12.50	CX34-38	ML180UH090XE48B	5549035
13ACX-030-230	TXV	30,000	15.00	12.50	CX34-38	SL280UH070V36A	5549025
13ACX-030-230	TXV	30,000	15.00	12.50	CX34-38	SL280UH070XV36A	5549026
13ACX-030-230	TXV	30,200	15.50	12.50	CX34-38	SL280UH090V36B	5549036
13ACX-030-230	TXV	30,200	15.00	12.50	CX34-38	SL280UH090V48B	5549037
13ACX-030-230	TXV	30,200	15.00	12.50	CX34-38	SL280UH090XV48B	5549038
13ACX-030-230	TXV	30,000	15.00	12.50	CX34-38	SLP98UH070XV36B	5549039
13ACX-030-230	TXV	28,600	13.00	11.00	CX34-42		5549040
13ACX-030-230	TXV	29,200	15.00	12.50	CX34-42	EL180UH070E36B	5734546
13ACX-030-230	TXV	29,200	15.00	12.50	CX34-42	EL180UH070XE36B	5734884
13ACX-030-230	TXV	29,400	15.00	12.50	CX34-42	EL180UH090E48B	5735702
13ACX-030-230	TXV	29,400	15.00	12.50	CX34-42	EL180UH090XE48B	5737576
13ACX-030-230	TXV	29,200	14.50	12.00	CX34-42	EL195UH045XE36B	5549041
13ACX-030-230	TXV	29,400	14.50	12.00	CX34-42	EL195UH070XE36B	5549042
13ACX-030-230	TXV	29,200	14.50	12.00	CX34-42	EL296UH045XE36B	5649084
13ACX-030-230	TXV	29,000	14.50	12.00	CX34-42	EL296UH045XV36B	5549043
13ACX-030-230	TXV	29,400	14.50	12.00	CX34-42	EL296UH070XE36B	5649085
13ACX-030-230	TXV	29,000	14.50	12.00	CX34-42	EL296UH070XV36B	5549044
13ACX-030-230	TXV	29,200	15.00	12.50	CX34-42	ML180UH070E36B	5549045
13ACX-030-230	TXV	29,200	15.00	12.50	CX34-42	ML180UH070XE36B	5549046
13ACX-030-230	TXV	29,400	15.00	12.50	CX34-42	ML180UH090E48B	5549047
13ACX-030-230	TXV	29,400	15.00	12.50	CX34-42	ML180UH090XE48B	5549048
13ACX-030-230	TXV	29,400	15.00	12.50	CX34-42	SL280UH090V36B	5549049
13ACX-030-230	TXV	29,600	14.50	12.50	CX34-42	SL280UH090V48B	5549050
13ACX-030-230	TXV	29,600	14.50	12.50	CX34-42	SL280UH090XV48B	5549051
13ACX-030-230	TXV	29,200	14.50	12.00	CX34-42	SLP98UH070XV36B	5549052
13ACX-030-230	TXV	29,600	13.50	11.50	CX34-43		5549065
13ACX-030-230	TXV	30,200	15.50	12.50	CX34-43	EL180UH070E36B	5734547
13ACX-030-230	TXV	30,200	15.50	12.50	CX34-43	EL180UH070XE36B	5734885
13ACX-030-230	TXV	30,400	15.50	12.50	CX34-43	EL180UH090E48B	5735705
13ACX-030-230	TXV	30,400	15.50	12.50	CX34-43	EL180UH090XE48B	5737578
13ACX-030-230	TXV	30,200	15.00	12.50	CX34-43	EL195UH045XE36B	5549053
13ACX-030-230	TXV	30,400	15.00	12.50	CX34-43	EL195UH070XE36B	5549054
13ACX-030-230	TXV	30,200	15.50	12.50	CX34-43	EL195UH090XE48C	5549066
13ACX-030-230	TXV	30,200	15.00	12.50	CX34-43	EL296UH045XE36B	5649086
13ACX-030-230	TXV	30,000	15.00	12.50	CX34-43	EL296UH045XV36B	5549055
13ACX-030-230	TXV	30,400	15.00	12.50	CX34-43	EL296UH070XE36B	5649087
13ACX-030-230	TXV	30,000	15.00	12.50	CX34-43	EL296UH070XV36B	5549056

NOTES:

TXV = Matched with Thermostatic Expansion Valve.

RFC = Matched with RFC metering device.

AHRI certified to AHRI Standard 210/240 (with 25 ft. of connecting refrigerant lines); 95°F outdoor air temperature, 80°F db / 67°F wb entering evaporator air.

All ratings include the use of a blower time delay relay (TDR). All Lennox variable-speed furnaces and Air Handlers have time delay capabilities. Other Furnaces and Air Handlers may require an optional time delay relay (**58M81**) for field installation. See furnace or air handler specifications to determine if relay is needed.

Also see Expansion Valve Kit Usage Table.

AHRI SYSTEM MATCHES

NOTE - For the latest up-to-date system matches please visit the AHRI web site at <http://www.ahridirectory.org>

Model No.	Expansion Device	Capacity	SEER	EER	Coil or Air Handler	Furnace	AHRI Reference
13ACX-030-230	TXV	30,200	15.50	12.50	CX34-43	EL296UH090XE48C	5649088
13ACX-030-230	TXV	30,200	15.50	12.50	CX34-43	EL296UH090XV36C	5549068
13ACX-030-230	TXV	30,200	15.50	12.50	CX34-43	ML180UH070E36B	5549057
13ACX-030-230	TXV	30,200	15.50	12.50	CX34-43	ML180UH070XE36B	5549058
13ACX-030-230	TXV	30,400	15.50	12.50	CX34-43	ML180UH090E48B	5549059
13ACX-030-230	TXV	30,400	15.50	12.50	CX34-43	ML180UH090XE48B	5549060
13ACX-030-230	TXV	30,200	15.50	12.50	CX34-43	SL280UH090V36B	5549061
13ACX-030-230	TXV	30,400	15.00	12.50	CX34-43	SL280UH090V48B	5549062
13ACX-030-230	TXV	30,400	15.00	12.50	CX34-43	SL280UH090XV48B	5549063
13ACX-030-230	TXV	30,200	15.00	12.50	CX34-43	SLP98UH070XV36B	5549064
13ACX-030-230	TXV	30,200	15.50	12.50	CX34-43	SLP98UH090XV36C	5549067
13ACX-030-230	TXV	29,200	13.50	11.00	CX34-44/48		5549069
13ACX-030-230	TXV	29,800	15.00	12.50	CX34-44/48	EL195UH090XE48C	5549070
13ACX-030-230	TXV	29,800	15.00	12.50	CX34-44/48	EL296UH090XE48C	5649089
13ACX-030-230	TXV	29,600	15.00	12.50	CX34-44/48	EL296UH090XV36C	5549072
13ACX-030-230	TXV	29,600	15.00	12.50	CX34-44/48	SLP98UH090XV36C	5549071
13ACX-036-230	RFC	35,000	13.00	10.70	C33-38		5697160
13ACX-036-230	RFC	35,400	13.00	11.00	C33-43		5697171
13ACX-036-230	RFC	35,200	13.00	11.00	C33-50/60C		5697218
13ACX-036-230	RFC	35,800	13.00	11.00	CH33-43		5697249
13ACX-036-230	RFC	35,000	13.00	10.50	CH33-44/48		5697275
13ACX-036-230	RFC	35,000	13.00	10.50	CR33-50/60		5697311
13ACX-036-230	TXV	35,200	13.00	11.00	C33-31	EL180UH045E36A	5733961
13ACX-036-230	TXV	35,200	13.00	11.00	C33-31	EL180UH045XE36A	5734242
13ACX-036-230	TXV	35,000	14.00	11.00	C33-31	EL180UH070E36B	5734624
13ACX-036-230	TXV	35,000	14.00	11.00	C33-31	EL180UH070XE36B	5734961
13ACX-036-230	TXV	35,200	14.00	11.00	C33-31	EL180UH090E48B	5735808
13ACX-036-230	TXV	35,200	14.00	11.00	C33-31	EL180UH090XE48B	5737664
13ACX-036-230	TXV	35,000	13.00	11.00	C33-31	EL195UH045XE36B	5697146
13ACX-036-230	TXV	34,800	13.00	11.00	C33-31	EL195UH070XE36B	5697147
13ACX-036-230	TXV	34,800	13.00	11.00	C33-31	EL296UH045XV36B	5697148
13ACX-036-230	TXV	35,000	13.00	11.00	C33-31	EL296UH070XV36B	5697149
13ACX-036-230	TXV	35,200	13.00	11.00	C33-31	ML180UH045E36A	5697142
13ACX-036-230	TXV	35,200	13.00	11.00	C33-31	ML180UH045XE36A	5697143
13ACX-036-230	TXV	35,000	14.00	11.00	C33-31	ML180UH070E36B	5697150
13ACX-036-230	TXV	35,000	14.00	11.00	C33-31	ML180UH070XE36B	5697151
13ACX-036-230	TXV	35,200	14.00	11.00	C33-31	ML180UH090E48B	5697152
13ACX-036-230	TXV	35,200	14.00	11.00	C33-31	ML180UH090XE48B	5697153
13ACX-036-230	TXV	35,000	13.00	11.00	C33-31	SL280UH070V36A	5697144
13ACX-036-230	TXV	35,000	13.00	11.00	C33-31	SL280UH070XV36A	5697145
13ACX-036-230	TXV	35,200	14.00	11.00	C33-31	SL280UH090V36B	5697154
13ACX-036-230	TXV	35,200	14.00	11.00	C33-31	SL280UH090V48B	5697155
13ACX-036-230	TXV	35,200	14.00	11.00	C33-31	SL280UH090XV48B	5697156
13ACX-036-230	TXV	35,000	13.00	11.00	C33-31	SLP98UH070XV36B	5699579
13ACX-036-230	TXV	35,000	13.00	10.70	C33-38		5697384
13ACX-036-230	TXV	35,600	14.00	11.00	C33-38	EL180UH045E36A	5733963
13ACX-036-230	TXV	35,600	14.00	11.00	C33-38	EL180UH045XE36A	5734244
13ACX-036-230	TXV	35,600	14.50	12.00	C33-38	EL180UH070E36B	5734625
13ACX-036-230	TXV	35,600	14.50	12.00	C33-38	EL180UH070XE36B	5734963

NOTES:

TXV = Matched with Thermostatic Expansion Valve.

RFC = Matched with RFC metering device.

AHRI certified to AHRI Standard 210/240 (with 25 ft. of connecting refrigerant lines); 95°F outdoor air temperature, 80°F db / 67°F wb entering evaporator air.

All ratings include the use of a blower time delay relay (TDR). All Lennox variable-speed furnaces and Air Handlers have time delay capabilities. Other Furnaces and Air Handlers may require an optional time delay relay (**58M81**) for field installation. See furnace or air handler specifications to determine if relay is needed.

Also see Expansion Valve Kit Usage Table.

AHRI SYSTEM MATCHES

NOTE - For the latest up-to-date system matches please visit the AHRI web site at <http://www.ahridirectory.org>

Model No.	Expansion Device	Capacity	SEER	EER	Coil or Air Handler	Furnace	AHRI Reference
13ACX-036-230	TXV	35,800	14.00	11.00	C33-38	EL180UH090E48B	5735811
13ACX-036-230	TXV	35,800	14.00	11.00	C33-38	EL180UH090XE48B	5737666
13ACX-036-230	TXV	35,400	14.00	11.00	C33-38	EL195UH070XE36B	5697161
13ACX-036-230	TXV	35,200	14.00	11.00	C33-38	EL296UH045XV36B	5697162
13ACX-036-230	TXV	35,400	14.00	11.00	C33-38	EL296UH070XV36B	5697163
13ACX-036-230	TXV	35,600	14.00	11.00	C33-38	ML180UH045E36A	5697331
13ACX-036-230	TXV	35,600	14.00	11.00	C33-38	ML180UH045XE36A	5697332
13ACX-036-230	TXV	35,600	14.50	12.00	C33-38	ML180UH070E36B	5697164
13ACX-036-230	TXV	35,600	14.50	12.00	C33-38	ML180UH070XE36B	5697166
13ACX-036-230	TXV	35,800	14.00	11.00	C33-38	ML180UH090E48B	5697165
13ACX-036-230	TXV	35,800	14.00	11.00	C33-38	ML180UH090XE48B	5697167
13ACX-036-230	TXV	35,200	14.00	11.00	C33-38	SL280UH070V36A	5697158
13ACX-036-230	TXV	35,200	14.00	11.00	C33-38	SL280UH070XV36A	5697159
13ACX-036-230	TXV	35,600	14.00	11.00	C33-38	SL280UH090V36B	5697168
13ACX-036-230	TXV	35,600	14.00	11.00	C33-38	SL280UH090V48B	5697169
13ACX-036-230	TXV	35,600	14.00	11.00	C33-38	SL280UH090XV48B	5697170
13ACX-036-230	TXV	35,000	13.00	11.00	C33-38	SLP98UH070XV36B	5697157
13ACX-036-230	TXV	35,400	13.00	11.00	C33-43		5697385
13ACX-036-230	TXV	35,800	14.50	12.00	C33-43	EL180UH070E36B	5734626
13ACX-036-230	TXV	35,800	14.50	12.00	C33-43	EL180UH070XE36B	5734965
13ACX-036-230	TXV	36,000	14.00	11.00	C33-43	EL180UH090E48B	5735813
13ACX-036-230	TXV	36,000	14.50	12.00	C33-43	EL180UH090E60C	5736930
13ACX-036-230	TXV	36,000	14.00	11.00	C33-43	EL180UH090XE48B	5737667
13ACX-036-230	TXV	35,800	14.50	12.00	C33-43	EL180UH110E60C	5738711
13ACX-036-230	TXV	35,800	14.50	12.00	C33-43	EL180UH110XE60C	5739547
13ACX-036-230	TXV	35,600	14.00	11.00	C33-43	EL195UH070XE36B	5697172
13ACX-036-230	TXV	35,800	14.00	11.00	C33-43	EL195UH090XE48C	5697182
13ACX-036-230	TXV	36,000	14.00	11.00	C33-43	EL195UH110XE60C	5697183
13ACX-036-230	TXV	35,600	14.00	11.00	C33-43	EL296UH070XE36B	5697389
13ACX-036-230	TXV	35,600	14.00	11.00	C33-43	EL296UH070XV36B	5697173
13ACX-036-230	TXV	35,800	14.00	11.00	C33-43	EL296UH090XE48C	5697390
13ACX-036-230	TXV	35,800	14.00	11.00	C33-43	EL296UH090XV36C	5697184
13ACX-036-230	TXV	35,800	14.00	11.00	C33-43	EL296UH090XV48C	5697185
13ACX-036-230	TXV	36,000	14.00	11.00	C33-43	EL296UH110XE60C	5697391
13ACX-036-230	TXV	35,800	14.50	12.00	C33-43	ML180UH070E36B	5697174
13ACX-036-230	TXV	35,800	14.50	12.00	C33-43	ML180UH070XE36B	5697176
13ACX-036-230	TXV	36,000	14.00	11.00	C33-43	ML180UH090E48B	5697175
13ACX-036-230	TXV	36,000	14.50	12.00	C33-43	ML180UH090E60C	5697186
13ACX-036-230	TXV	36,000	14.00	11.00	C33-43	ML180UH090XE48B	5697177
13ACX-036-230	TXV	35,800	14.50	12.00	C33-43	ML180UH110E60C	5697187
13ACX-036-230	TXV	35,800	14.50	12.00	C33-43	ML180UH110XE60C	5697190
13ACX-036-230	TXV	35,800	14.50	12.00	C33-43	SL280UH090V36B	5697178
13ACX-036-230	TXV	36,000	14.50	12.00	C33-43	SL280UH090V48B	5697179
13ACX-036-230	TXV	36,400	14.50	12.00	C33-43	SL280UH090V60C	5697188
13ACX-036-230	TXV	36,000	14.50	12.00	C33-43	SL280UH090XV48B	5697180
13ACX-036-230	TXV	36,400	14.50	12.00	C33-43	SL280UH090XV60C	5697191
13ACX-036-230	TXV	36,200	14.00	11.00	C33-43	SL280UH110V60C	5697189
13ACX-036-230	TXV	36,200	14.00	11.00	C33-43	SL280UH110XV60C	5697192
13ACX-036-230	TXV	35,600	14.00	11.00	C33-43	SLP98UH070XV36B	5697181

NOTES:

TXV = Matched with Thermostatic Expansion Valve.

RFC = Matched with RFC metering device.

AHRI certified to AHRI Standard 210/240 (with 25 ft. of connecting refrigerant lines); 95°F outdoor air temperature, 80°F db / 67°F wb entering evaporator air.

All ratings include the use of a blower time delay relay (TDR). All Lennox variable-speed furnaces and Air Handlers have time delay capabilities. Other Furnaces and Air Handlers may require an optional time delay relay (**58M81**) for field installation. See furnace or air handler specifications to determine if relay is needed.

Also see Expansion Valve Kit Usage Table.

AHRI SYSTEM MATCHES

NOTE - For the latest up-to-date system matches please visit the AHRI web site at <http://www.ahridirectory.org>

Model No.	Expansion Device	Capacity	SEER	EER	Coil or Air Handler	Furnace	AHRI Reference
13ACX-036-230	TXV	35,800	14.00	11.00	C33-43	SLP98UH090XV36C	5697193
13ACX-036-230	TXV	35,800	14.00	11.00	C33-43	SLP98UH090XV48C	5697194
13ACX-036-230	TXV	36,200	14.50	12.00	C33-43	SLP98UH110XV60C	5697195
13ACX-036-230	TXV	34,800	13.00	10.50	C33-48B		5697196
13ACX-036-230	TXV	35,200	14.00	11.00	C33-48B	EL180UH070E36B	5734627
13ACX-036-230	TXV	35,200	14.00	11.00	C33-48B	EL180UH070XE36B	5734967
13ACX-036-230	TXV	35,600	14.00	11.00	C33-48B	EL180UH090E48B	5735815
13ACX-036-230	TXV	35,600	14.00	11.00	C33-48B	EL180UH090E60C	5736934
13ACX-036-230	TXV	35,600	14.00	11.00	C33-48B	EL180UH090XE48B	5737669
13ACX-036-230	TXV	35,200	14.00	11.00	C33-48B	EL180UH110E60C	5738713
13ACX-036-230	TXV	35,200	14.00	11.00	C33-48B	EL180UH110XE60C	5739550
13ACX-036-230	TXV	35,400	14.00	11.00	C33-48B	EL195UH090XE48C	5697204
13ACX-036-230	TXV	35,600	14.00	11.00	C33-48B	EL195UH110XE60C	5697205
13ACX-036-230	TXV	35,400	14.00	11.00	C33-48B	EL296UH090XV36C	5697206
13ACX-036-230	TXV	35,200	14.00	11.00	C33-48B	EL296UH090XV48C	5697207
13ACX-036-230	TXV	35,200	14.00	11.00	C33-48B	ML180UH070E36B	5697197
13ACX-036-230	TXV	35,200	14.00	11.00	C33-48B	ML180UH070XE36B	5697199
13ACX-036-230	TXV	35,600	14.00	11.00	C33-48B	ML180UH090E48B	5697198
13ACX-036-230	TXV	35,600	14.00	11.00	C33-48B	ML180UH090E60C	5697208
13ACX-036-230	TXV	35,600	14.00	11.00	C33-48B	ML180UH090XE48B	5697200
13ACX-036-230	TXV	35,200	14.00	11.00	C33-48B	ML180UH110E60C	5697209
13ACX-036-230	TXV	35,200	14.00	11.00	C33-48B	ML180UH110XE60C	5697212
13ACX-036-230	TXV	35,200	14.00	11.00	C33-48B	SL280UH090V36B	5697201
13ACX-036-230	TXV	35,400	14.00	11.00	C33-48B	SL280UH090V48B	5697202
13ACX-036-230	TXV	35,800	14.00	11.00	C33-48B	SL280UH090V60C	5697210
13ACX-036-230	TXV	35,400	14.00	11.00	C33-48B	SL280UH090XV48B	5697203
13ACX-036-230	TXV	35,800	14.00	11.00	C33-48B	SL280UH090XV60C	5697213
13ACX-036-230	TXV	35,600	14.00	11.00	C33-48B	SL280UH110V60C	5697211
13ACX-036-230	TXV	35,600	14.00	11.00	C33-48B	SL280UH110XV60C	5697214
13ACX-036-230	TXV	35,400	14.00	11.00	C33-48B	SLP98UH090XV36C	5697215
13ACX-036-230	TXV	35,200	14.00	11.00	C33-48B	SLP98UH090XV48C	5697216
13ACX-036-230	TXV	35,600	14.00	11.00	C33-48B	SLP98UH110XV60C	5697217
13ACX-036-230	TXV	35,200	13.00	11.00	C33-50/60C		5697386
13ACX-036-230	TXV	36,000	14.50	12.00	C33-50/60C	EL180UH090E60C	5736936
13ACX-036-230	TXV	35,600	14.00	11.00	C33-50/60C	EL180UH110E60C	5738714
13ACX-036-230	TXV	35,600	14.00	11.00	C33-50/60C	EL180UH110XE60C	5739552
13ACX-036-230	TXV	35,800	14.00	11.00	C33-50/60C	EL195UH090XE48C	5697219
13ACX-036-230	TXV	36,000	14.00	11.00	C33-50/60C	EL195UH110XE60C	5697220
13ACX-036-230	TXV	35,800	14.00	11.00	C33-50/60C	EL296UH090XE48C	5697392
13ACX-036-230	TXV	35,800	14.00	11.00	C33-50/60C	EL296UH090XV36C	5697221
13ACX-036-230	TXV	35,600	14.00	11.00	C33-50/60C	EL296UH090XV48C	5697222
13ACX-036-230	TXV	36,000	14.00	11.00	C33-50/60C	EL296UH110XE60C	5697393
13ACX-036-230	TXV	36,000	14.50	12.00	C33-50/60C	ML180UH090E60C	5697223
13ACX-036-230	TXV	35,600	14.00	11.00	C33-50/60C	ML180UH110E60C	5697224
13ACX-036-230	TXV	35,600	14.00	11.00	C33-50/60C	ML180UH110XE60C	5697227
13ACX-036-230	TXV	36,200	14.50	12.00	C33-50/60C	SL280UH090V60C	5697225
13ACX-036-230	TXV	36,200	14.50	12.00	C33-50/60C	SL280UH090XV60C	5697228
13ACX-036-230	TXV	36,000	14.00	11.00	C33-50/60C	SL280UH110V60C	5697226
13ACX-036-230	TXV	36,000	14.00	11.00	C33-50/60C	SL280UH110XV60C	5697229

NOTES:

TXV = Matched with Thermostatic Expansion Valve.

RFC = Matched with RFC metering device.

AHRI certified to AHRI Standard 210/240 (with 25 ft. of connecting refrigerant lines); 95°F outdoor air temperature, 80°F db / 67°F wb entering evaporator air.

All ratings include the use of a blower time delay relay (TDR). All Lennox variable-speed furnaces and Air Handlers have time delay capabilities. Other Furnaces and Air Handlers may require an optional time delay relay (**58M81**) for field installation. See furnace or air handler specifications to determine if relay is needed.

Also see Expansion Valve Kit Usage Table.

AHRI SYSTEM MATCHES

NOTE - For the latest up-to-date system matches please visit the AHRI web site at <http://www.ahridirectory.org>

Model No.	Expansion Device	Capacity	SEER	EER	Coil or Air Handler	Furnace	AHRI Reference
13ACX-036-230	TXV	35,800	14.00	11.00	C33-50/60C	SLP98UH090XV36C	5697230
13ACX-036-230	TXV	35,600	14.00	11.00	C33-50/60C	SLP98UH090XV48C	5697231
13ACX-036-230	TXV	36,000	14.00	11.00	C33-50/60C	SLP98UH110XV60C	5697232
13ACX-036-230	TXV	35,200	13.00	11.00	CBX25UH-042		5732779
13ACX-036-230	TXV	34,600	13.00	11.00	CBX26UH-036		5697403
13ACX-036-230	TXV	34,600	13.00	11.00	CBX26UH-037		6504977
13ACX-036-230	TXV	35,000	13.00	11.00	CBX27UH-036		5697233
13ACX-036-230	TXV	36,000	14.50	12.00	CBX27UH-042		5697234
13ACX-036-230	TXV	34,000	13.00	11.00	CBX32M-030		5697235
13ACX-036-230	TXV	34,400	13.00	11.00	CBX32M-036		5697236
13ACX-036-230	TXV	34,400	13.00	11.00	CBX32M-042		5697237
13ACX-036-230	TXV	35,400	13.00	11.00	CBX32M-048		5697238
13ACX-036-230	TXV	34,600	13.00	11.00	CBX32MV-036		5697239
13ACX-036-230	TXV	36,000	14.50	12.00	CBX32MV-048		5697240
13ACX-036-230	TXV	34,800	13.00	11.00	CBX40UHV-036		5697241
13ACX-036-230	TXV	35,600	13.00	11.00	CBX40UHV-042		5697242
13ACX-036-230	TXV	35,800	14.00	11.00	CBX40UHV-048		5697243
13ACX-036-230	TXV	34,800	14.00	11.00	CH23-41	EL180UH070E36B	5734630
13ACX-036-230	TXV	35,200	13.00	11.00	CH23-41	EL180UH090E48B	5735821
13ACX-036-230	TXV	34,800	14.00	11.00	CH23-41	ML180UH070E36B	5697244
13ACX-036-230	TXV	35,200	13.00	11.00	CH23-41	ML180UH090E48B	5697245
13ACX-036-230	TXV	34,800	14.00	11.00	CH23-51	EL180UH070E36B	5734632
13ACX-036-230	TXV	35,200	14.00	11.00	CH23-51	EL180UH090E48B	5735823
13ACX-036-230	TXV	34,800	13.00	11.00	CH23-51	EL296UH045XV36B	5697246
13ACX-036-230	TXV	34,800	14.00	11.00	CH23-51	ML180UH070E36B	5697247
13ACX-036-230	TXV	35,200	14.00	11.00	CH23-51	ML180UH090E48B	5697248
13ACX-036-230	TXV	35,800	13.00	11.00	CH33-43		5697387
13ACX-036-230	TXV	36,000	14.50	12.00	CH33-43B	EL180UH070E36B	5734633
13ACX-036-230	TXV	36,000	14.50	12.00	CH33-43B	EL180UH070XE36B	5734973
13ACX-036-230	TXV	36,200	14.50	12.00	CH33-43B	EL180UH090E48B	5735824
13ACX-036-230	TXV	36,200	14.50	12.00	CH33-43B	EL180UH090XE48B	5737676
13ACX-036-230	TXV	36,000	14.00	11.00	CH33-43B	EL195UH070XE36B	5697250
13ACX-036-230	TXV	36,000	14.00	11.00	CH33-43B	EL296UH070XE36B	5697394
13ACX-036-230	TXV	36,000	14.00	11.00	CH33-43B	EL296UH070XV36B	5697252
13ACX-036-230	TXV	35,800	14.00	11.00	CH33-43B	EL296UH090XV36C	5697251
13ACX-036-230	TXV	36,000	14.50	12.00	CH33-43B	ML180UH070E36B	5697253
13ACX-036-230	TXV	36,000	14.50	12.00	CH33-43B	ML180UH070XE36B	5697255
13ACX-036-230	TXV	36,200	14.50	12.00	CH33-43B	ML180UH090E48B	5697254
13ACX-036-230	TXV	36,200	14.50	12.00	CH33-43B	ML180UH090XE48B	5697256
13ACX-036-230	TXV	36,000	14.50	12.00	CH33-43B	SL280UH090V36B	5697257
13ACX-036-230	TXV	36,400	14.50	12.00	CH33-43B	SL280UH090V48B	5697258
13ACX-036-230	TXV	36,400	14.50	12.00	CH33-43B	SL280UH090XV48B	5697259
13ACX-036-230	TXV	36,000	14.00	11.00	CH33-43B	SLP98UH070XV36B	5697260
13ACX-036-230	TXV	36,200	14.50	12.00	CH33-43C	EL180UH090E60C	5736938
13ACX-036-230	TXV	35,800	14.50	12.00	CH33-43C	EL180UH110E60C	5738716
13ACX-036-230	TXV	35,800	14.50	12.00	CH33-43C	EL180UH110XE60C	5739555
13ACX-036-230	TXV	36,000	14.00	11.00	CH33-43C	EL195UH090XE48C	5697261
13ACX-036-230	TXV	36,200	14.50	12.00	CH33-43C	EL195UH110XE60C	5697262

NOTES:

TXV = Matched with Thermostatic Expansion Valve.

RFC = Matched with RFC metering device.

AHRI certified to AHRI Standard 210/240 (with 25 ft. of connecting refrigerant lines); 95°F outdoor air temperature, 80°F db / 67°F wb entering evaporator air.

All ratings include the use of a blower time delay relay (TDR). All Lennox variable-speed furnaces and Air Handlers have time delay capabilities. Other Furnaces and Air Handlers may require an optional time delay relay (**58M81**) for field installation. See furnace or air handler specifications to determine if relay is needed.

Also see Expansion Valve Kit Usage Table.

AHRI SYSTEM MATCHES

NOTE - For the latest up-to-date system matches please visit the AHRI web site at <http://www.ahridirectory.org>

Model No.	Expansion Device	Capacity	SEER	EER	Coil or Air Handler	Furnace	AHRI Reference
13ACX-036-230	TXV	36,000	14.00	11.00	CH33-43C	EL296UH090XE48C	5697395
13ACX-036-230	TXV	36,000	14.00	11.00	CH33-43C	EL296UH090XV36C	5697263
13ACX-036-230	TXV	35,800	14.50	12.00	CH33-43C	EL296UH090XV48C	5697264
13ACX-036-230	TXV	36,200	14.50	12.00	CH33-43C	EL296UH110XE60C	5697396
13ACX-036-230	TXV	36,200	14.50	12.00	CH33-43C	ML180UH090E60C	5697265
13ACX-036-230	TXV	35,800	14.50	12.00	CH33-43C	ML180UH110E60C	5697266
13ACX-036-230	TXV	35,800	14.50	12.00	CH33-43C	ML180UH110XE60C	5697269
13ACX-036-230	TXV	36,400	14.50	12.00	CH33-43C	SL280UH090V60C	5697267
13ACX-036-230	TXV	36,400	14.50	12.00	CH33-43C	SL280UH090XV60C	5697270
13ACX-036-230	TXV	36,200	14.00	11.00	CH33-43C	SL280UH110V60C	5697268
13ACX-036-230	TXV	36,200	14.00	11.00	CH33-43C	SL280UH110XV60C	5697271
13ACX-036-230	TXV	36,000	14.00	11.00	CH33-43C	SLP98UH090XV36C	5697272
13ACX-036-230	TXV	35,800	14.50	12.00	CH33-43C	SLP98UH090XV48C	5697273
13ACX-036-230	TXV	36,200	14.50	12.00	CH33-43C	SLP98UH110XV60C	5697274
13ACX-036-230	TXV	35,000	13.00	10.50	CH33-44/48		5697388
13ACX-036-230	TXV	35,400	14.00	11.00	CH33-44/48	EL180UH070E36B	5734634
13ACX-036-230	TXV	35,400	14.00	11.00	CH33-44/48	EL180UH070XE36B	5734975
13ACX-036-230	TXV	35,400	14.00	11.00	CH33-44/48	EL180UH090E48B	5735826
13ACX-036-230	TXV	35,400	14.00	11.00	CH33-44/48	EL180UH090XE48B	5737677
13ACX-036-230	TXV	35,400	14.00	11.00	CH33-44/48	ML180UH070E36B	5697276
13ACX-036-230	TXV	35,400	14.00	11.00	CH33-44/48	ML180UH070XE36B	5697278
13ACX-036-230	TXV	35,400	14.00	11.00	CH33-44/48	ML180UH090E48B	5697277
13ACX-036-230	TXV	35,400	14.00	11.00	CH33-44/48	ML180UH090XE48B	5697279
13ACX-036-230	TXV	35,600	14.00	11.00	CH33-44/48	SL280UH090V36B	5697280
13ACX-036-230	TXV	35,600	14.00	11.00	CH33-44/48	SL280UH090V48B	5697281
13ACX-036-230	TXV	35,600	14.00	11.00	CH33-44/48	SL280UH090XV48B	5697282
13ACX-036-230	TXV	36,000	14.50	12.00	CH33-48	EL180UH090E60C	5736940
13ACX-036-230	TXV	35,800	14.50	12.00	CH33-48	EL180UH110E60C	5738719
13ACX-036-230	TXV	35,800	14.50	12.00	CH33-48	EL180UH110XE60C	5795904
13ACX-036-230	TXV	35,800	14.00	11.00	CH33-48	EL296UH090XV36C	5697285
13ACX-036-230	TXV	35,600	14.00	11.00	CH33-48	EL296UH090XV48C	5697286
13ACX-036-230	TXV	36,000	14.50	12.00	CH33-48	ML180UH090E60C	5697287
13ACX-036-230	TXV	35,800	14.50	12.00	CH33-48	ML180UH110E60C	5697288
13ACX-036-230	TXV	35,800	14.50	12.00	CH33-48	ML180UH110XE60C	5697291
13ACX-036-230	TXV	36,200	14.50	12.00	CH33-48	SL280UH090V60C	5697289
13ACX-036-230	TXV	36,600	14.50	12.00	CH33-48	SL280UH090XV60C	5697305
13ACX-036-230	TXV	36,000	14.00	11.00	CH33-48	SL280UH110V60C	5697290
13ACX-036-230	TXV	36,000	14.00	11.00	CH33-48	SL280UH110XV60C	5697292
13ACX-036-230	TXV	35,800	14.00	11.00	CH33-48	SLP98UH090XV36C	5697293
13ACX-036-230	TXV	35,600	14.00	11.00	CH33-48	SLP98UH090XV48C	5697294
13ACX-036-230	TXV	36,000	14.00	11.00	CH33-48	SLP98UH110XV60C	5697295
13ACX-036-230	TXV	35,800	14.00	11.00	CH33-48C	EL195UH090XE48C	5697283
13ACX-036-230	TXV	36,000	14.00	11.00	CH33-48C	EL195UH110XE60C	5697284
13ACX-036-230	TXV	36,400	14.00	11.00	CH33-48C	SL280UH110XV60C	5699581
13ACX-036-230	TXV	36,200	14.00	11.00	CH33-48C	SLP98UH090XV36C	5699582
13ACX-036-230	TXV	36,000	14.50	12.00	CH33-48C	SLP98UH090XV48C	5699583
13ACX-036-230	TXV	36,400	14.50	12.00	CH33-48C	SLP98UH110XV60C	5699584
13ACX-036-230	TXV	35,600	13.00	11.00	CH33-50/60C		5697405
13ACX-036-230	TXV	35,600	13.00	11.00	CH33-50/60C		5699580

NOTES:

TXV = Matched with Thermostatic Expansion Valve.

RFC = Matched with RFC metering device.

AHRI certified to AHRI Standard 210/240 (with 25 ft. of connecting refrigerant lines); 95°F outdoor air temperature, 80°F db / 67°F wb entering evaporator air.

All ratings include the use of a blower time delay relay (TDR). All Lennox variable-speed furnaces and Air Handlers have time delay capabilities. Other Furnaces and Air Handlers may require an optional time delay relay (**58M81**) for field installation. See furnace or air handler specifications to determine if relay is needed.

Also see Expansion Valve Kit Usage Table.

AHRI SYSTEM MATCHES

NOTE - For the latest up-to-date system matches please visit the AHRI web site at <http://www.ahridirectory.org>

Model No.	Expansion Device	Capacity	SEER	EER	Coil or Air Handler	Furnace	AHRI Reference
13ACX-036-230	TXV	36,400	14.50	12.00	CH33-50/60C	EL180UH090E60C	5736932
13ACX-036-230	TXV	36,000	14.50	12.00	CH33-50/60C	EL180UH110E60C	5795862
13ACX-036-230	TXV	36,000	14.50	12.00	CH33-50/60C	EL180UH110XE60C	5739548
13ACX-036-230	TXV	36,200	14.00	11.00	CH33-50/60C	EL195UH090XE48C	5697296
13ACX-036-230	TXV	36,400	14.50	12.00	CH33-50/60C	EL195UH110XE60C	5697297
13ACX-036-230	TXV	36,200	14.00	12.00	CH33-50/60C	EL296UH090XV36C	5697298
13ACX-036-230	TXV	36,000	14.50	12.00	CH33-50/60C	EL296UH090XV48C	5697299
13ACX-036-230	TXV	36,400	14.50	12.00	CH33-50/60C	ML180UH090E60C	5697300
13ACX-036-230	TXV	36,000	14.50	12.00	CH33-50/60C	ML180UH110E60C	5697301
13ACX-036-230	TXV	36,000	14.50	12.00	CH33-50/60C	ML180UH110XE60C	5697304
13ACX-036-230	TXV	36,600	14.50	12.00	CH33-50/60C	SL280UH090V60C	5697302
13ACX-036-230	TXV	36,400	14.00	11.00	CH33-50/60C	SL280UH110V60C	5697303
13ACX-036-230	TXV	35,200	14.00	11.00	CR33-48	EL180DF070E36B	5733449
13ACX-036-230	TXV	35,200	14.00	11.00	CR33-48	EL180DF090E48B	5733494
13ACX-036-230	TXV	35,600	14.00	11.00	CR33-48	EL180DF110E60C	5733572
13ACX-036-230	TXV	35,400	14.00	11.00	CR33-48	EL195DF110XE60C	5697309
13ACX-036-230	TXV	35,200	14.00	11.00	CR33-48	ML180DF070E36B	5697306
13ACX-036-230	TXV	35,200	14.00	11.00	CR33-48	ML180DF090E48B	5697307
13ACX-036-230	TXV	35,600	14.00	11.00	CR33-48	ML180DF110E60C	5697310
13ACX-036-230	TXV	35,200	14.00	11.00	CR33-48	SL280DF090XV48B	5697308
13ACX-036-230	TXV	35,400	14.00	11.00	CR33-48	SL280DF110V60C	5697404
13ACX-036-230	TXV	36,000	14.00	11.00	CR33-50/60	EL180DF110E60C	5733573
13ACX-036-230	TXV	35,800	14.00	11.00	CR33-50/60	EL195DF090XE48C	5697312
13ACX-036-230	TXV	35,800	14.00	11.00	CR33-50/60	EL296DF090XE48C	5697397
13ACX-036-230	TXV	35,800	14.00	11.00	CR33-50/60	EL296DF090XV60C	5697313
13ACX-036-230	TXV	36,000	14.00	11.00	CR33-50/60	ML180DF110E60C	5697314
13ACX-036-230	TXV	35,800	14.00	11.00	CR33-50/60	SL280DF110V60C	5697315
13ACX-036-230	TXV	35,800	14.00	11.00	CR33-50/60	SLP98DF090XV48C	5697316
13ACX-036-230	TXV	35,200	13.00	11.00	CX34-31	EL180UH045E36A	5733962
13ACX-036-230	TXV	35,200	13.00	11.00	CX34-31	EL180UH045XE36A	5734243
13ACX-036-230	TXV	35,000	14.00	11.00	CX34-31	EL180UH070E36B	5734628
13ACX-036-230	TXV	35,000	14.00	11.00	CX34-31	EL180UH070XE36B	5734969
13ACX-036-230	TXV	35,200	14.00	11.00	CX34-31	EL180UH090E48B	5735817
13ACX-036-230	TXV	35,200	14.00	11.00	CX34-31	EL180UH090XE48B	5737671
13ACX-036-230	TXV	35,000	13.00	11.00	CX34-31	EL195UH045XE36B	5697321
13ACX-036-230	TXV	34,800	13.00	11.00	CX34-31	EL195UH070XE36B	5697322
13ACX-036-230	TXV	34,800	13.00	11.00	CX34-31	EL296UH045XV36B	5697323
13ACX-036-230	TXV	35,000	13.00	11.00	CX34-31	EL296UH070XV36B	5697324
13ACX-036-230	TXV	35,200	13.00	11.00	CX34-31	ML180UH045E36A	5697317
13ACX-036-230	TXV	35,200	13.00	11.00	CX34-31	ML180UH045XE36A	5697318
13ACX-036-230	TXV	35,000	14.00	11.00	CX34-31	ML180UH070E36B	5697325
13ACX-036-230	TXV	35,000	14.00	11.00	CX34-31	ML180UH070XE36B	5697326
13ACX-036-230	TXV	35,200	14.00	11.00	CX34-31	ML180UH090E48B	5697327
13ACX-036-230	TXV	35,200	14.00	11.00	CX34-31	ML180UH090XE48B	5697328
13ACX-036-230	TXV	35,000	13.00	11.00	CX34-31	SL280UH070V36A	5697319
13ACX-036-230	TXV	35,000	13.00	11.00	CX34-31	SL280UH070XV36A	5697320
13ACX-036-230	TXV	35,200	14.00	11.00	CX34-31	SL280UH090V36B	5697329
13ACX-036-230	TXV	35,000	13.00	11.00	CX34-31	SLP98UH070XV36B	5697330
13ACX-036-230	TXV	35,000	13.00	10.70	CX34-38		5697335

NOTES:

TXV = Matched with Thermostatic Expansion Valve.

RFC = Matched with RFC metering device.

AHRI certified to AHRI Standard 210/240 (with 25 ft. of connecting refrigerant lines); 95°F outdoor air temperature, 80°F db / 67°F wb entering evaporator air.

All ratings include the use of a blower time delay relay (TDR). All Lennox variable-speed furnaces and Air Handlers have time delay capabilities. Other Furnaces and Air Handlers may require an optional time delay relay (**58M81**) for field installation. See furnace or air handler specifications to determine if relay is needed.

Also see Expansion Valve Kit Usage Table.

AHRI SYSTEM MATCHES

NOTE - For the latest up-to-date system matches please visit the AHRI web site at <http://www.ahridirectory.org>

Model No.	Expansion Device	Capacity	SEER	EER	Coil or Air Handler	Furnace	AHRI Reference
13ACX-036-230	TXV	35,600	14.50	12.00	CX34-38	EL180UH070E36B	5734629
13ACX-036-230	TXV	35,600	14.50	12.00	CX34-38	EL180UH070XE36B	5734971
13ACX-036-230	TXV	35,800	14.00	11.00	CX34-38	EL180UH090E48B	5735818
13ACX-036-230	TXV	35,800	14.00	11.00	CX34-38	EL180UH090XE48B	5737673
13ACX-036-230	TXV	35,400	14.00	11.00	CX34-38	EL195UH070XE36B	5699585
13ACX-036-230	TXV	35,200	14.00	11.00	CX34-38	EL296UH045XV36B	5699586
13ACX-036-230	TXV	35,400	14.00	11.00	CX34-38	EL296UH070XV36B	5699587
13ACX-036-230	TXV	35,600	14.50	12.00	CX34-38	ML180UH070E36B	5697336
13ACX-036-230	TXV	35,600	14.50	12.00	CX34-38	ML180UH070XE36B	5697338
13ACX-036-230	TXV	35,800	14.00	11.00	CX34-38	ML180UH090E48B	5697337
13ACX-036-230	TXV	35,800	14.00	11.00	CX34-38	ML180UH090XE48B	5697339
13ACX-036-230	TXV	35,200	14.00	11.00	CX34-38	SL280UH070V36A	5697333
13ACX-036-230	TXV	35,200	14.00	11.00	CX34-38	SL280UH070XV36A	5697334
13ACX-036-230	TXV	35,600	14.00	11.00	CX34-38	SL280UH090V36B	5697340
13ACX-036-230	TXV	35,600	14.00	11.00	CX34-38	SL280UH090V48B	5697341
13ACX-036-230	TXV	35,600	14.00	11.00	CX34-38	SL280UH090XV48B	5697342
13ACX-036-230	TXV	35,400	14.00	11.00	CX34-38	SLP98UH070XV36B	5697343
13ACX-036-230	TXV	35,400	13.00	11.00	CX34-43		5697344
13ACX-036-230	TXV	35,800	14.50	12.00	CX34-43	EL180UH070E36B	5734689
13ACX-036-230	TXV	35,800	14.50	12.00	CX34-43	EL180UH070XE36B	5735059
13ACX-036-230	TXV	36,000	14.00	11.00	CX34-43	EL180UH090E48B	5735928
13ACX-036-230	TXV	36,000	14.50	12.00	CX34-43	EL180UH090E60C	5737057
13ACX-036-230	TXV	36,000	14.00	11.00	CX34-43	EL180UH090XE48B	5737759
13ACX-036-230	TXV	35,800	14.50	12.00	CX34-43	EL180UH110E60C	5738834
13ACX-036-230	TXV	35,800	14.50	12.00	CX34-43	EL180UH110XE60C	5795906
13ACX-036-230	TXV	35,600	14.00	11.00	CX34-43	EL195UH070XE36B	5699588
13ACX-036-230	TXV	35,800	14.00	11.00	CX34-43	EL195UH090XE48C	5697349
13ACX-036-230	TXV	36,000	14.00	11.00	CX34-43	EL195UH110XE60C	5697350
13ACX-036-230	TXV	35,600	14.00	11.00	CX34-43	EL296UH070XE36B	5697398
13ACX-036-230	TXV	35,600	14.00	11.00	CX34-43	EL296UH070XV36B	5699589
13ACX-036-230	TXV	35,800	14.00	11.00	CX34-43	EL296UH090XE48C	5697399
13ACX-036-230	TXV	35,800	14.00	11.00	CX34-43	EL296UH090XV36C	5697351
13ACX-036-230	TXV	35,800	14.00	11.00	CX34-43	EL296UH090XV48C	5697352
13ACX-036-230	TXV	36,000	14.00	11.00	CX34-43	EL296UH110XE60C	5697400
13ACX-036-230	TXV	35,800	14.50	12.00	CX34-43	ML180UH070E36B	5699590
13ACX-036-230	TXV	35,800	14.50	12.00	CX34-43	ML180UH070XE36B	5699592
13ACX-036-230	TXV	36,000	14.00	11.00	CX34-43	ML180UH090E48B	5699591
13ACX-036-230	TXV	36,000	14.50	12.00	CX34-43	ML180UH090E60C	5699594
13ACX-036-230	TXV	36,000	14.00	11.00	CX34-43	ML180UH090XE48B	5699593
13ACX-036-230	TXV	35,800	14.50	12.00	CX34-43	ML180UH110E60C	5699595
13ACX-036-230	TXV	35,800	14.50	12.00	CX34-43	ML180UH110XE60C	5697355
13ACX-036-230	TXV	35,800	14.50	12.00	CX34-43	SL280UH090V36B	5697345
13ACX-036-230	TXV	36,000	14.50	12.00	CX34-43	SL280UH090V48B	5697346
13ACX-036-230	TXV	36,400	14.50	12.00	CX34-43	SL280UH090V60C	5697353
13ACX-036-230	TXV	36,000	14.50	12.00	CX34-43	SL280UH090XV48B	5697347
13ACX-036-230	TXV	36,400	14.50	12.00	CX34-43	SL280UH090XV60C	5697356
13ACX-036-230	TXV	36,200	14.00	11.00	CX34-43	SL280UH110V60C	5697354
13ACX-036-230	TXV	36,200	14.00	11.00	CX34-43	SL280UH110XV60C	5697357
13ACX-036-230	TXV	35,600	14.00	11.00	CX34-43	SLP98UH070XV36B	5697348

NOTES:

TXV = Matched with Thermostatic Expansion Valve.

RFC = Matched with RFC metering device.

AHRI certified to AHRI Standard 210/240 (with 25 ft. of connecting refrigerant lines); 95°F outdoor air temperature, 80°F db / 67°F wb entering evaporator air.

All ratings include the use of a blower time delay relay (TDR). All Lennox variable-speed furnaces and Air Handlers have time delay capabilities. Other Furnaces and Air Handlers may require an optional time delay relay (**58M81**) for field installation. See furnace or air handler specifications to determine if relay is needed.

Also see Expansion Valve Kit Usage Table.

AHRI SYSTEM MATCHES

NOTE - For the latest up-to-date system matches please visit the AHRI web site at <http://www.ahridirectory.org>

Model No.	Expansion Device	Capacity	SEER	EER	Coil or Air Handler	Furnace	AHRI Reference
13ACX-036-230	TXV	35,800	14.00	11.00	CX34-43	SLP98UH090XV36C	5697358
13ACX-036-230	TXV	35,800	14.00	11.00	CX34-43	SLP98UH090XV48C	5697359
13ACX-036-230	TXV	36,200	14.50	12.00	CX34-43	SLP98UH110XV60C	5697360
13ACX-036-230	TXV	34,800	13.00	10.50	CX34-44/48		5697361
13ACX-036-230	TXV	35,200	14.00	11.00	CX34-44/48	EL180UH070E36B	5734635
13ACX-036-230	TXV	35,200	14.00	11.00	CX34-44/48	EL180UH070XE36B	5734977
13ACX-036-230	TXV	35,600	14.00	11.00	CX34-44/48	EL180UH090E48B	5735829
13ACX-036-230	TXV	35,600	14.00	11.00	CX34-44/48	EL180UH090E60C	5736942
13ACX-036-230	TXV	35,600	14.00	11.00	CX34-44/48	EL180UH090XE48B	5737680
13ACX-036-230	TXV	35,200	14.00	11.00	CX34-44/48	EL180UH110E60C	5738721
13ACX-036-230	TXV	35,200	14.00	11.00	CX34-44/48	EL180UH110XE60C	5739559
13ACX-036-230	TXV	35,400	14.00	11.00	CX34-44/48	EL195UH090XE48C	5697369
13ACX-036-230	TXV	35,600	14.00	11.00	CX34-44/48	EL195UH110XE60C	5697370
13ACX-036-230	TXV	35,400	14.00	11.00	CX34-44/48	EL296UH090XV36C	5697371
13ACX-036-230	TXV	35,200	14.00	11.00	CX34-44/48	EL296UH090XV48C	5697372
13ACX-036-230	TXV	35,200	14.00	11.00	CX34-44/48	ML180UH070E36B	5697362
13ACX-036-230	TXV	35,200	14.00	11.00	CX34-44/48	ML180UH070XE36B	5697364
13ACX-036-230	TXV	35,600	14.00	11.00	CX34-44/48	ML180UH090E48B	5697363
13ACX-036-230	TXV	35,600	14.00	11.00	CX34-44/48	ML180UH090E60C	5697373
13ACX-036-230	TXV	35,600	14.00	11.00	CX34-44/48	ML180UH090XE48B	5697365
13ACX-036-230	TXV	35,200	14.00	11.00	CX34-44/48	ML180UH110E60C	5697374
13ACX-036-230	TXV	35,200	14.00	11.00	CX34-44/48	ML180UH110XE60C	5697377
13ACX-036-230	TXV	35,200	14.00	11.00	CX34-44/48	SL280UH090V36B	5697366
13ACX-036-230	TXV	35,400	14.00	11.00	CX34-44/48	SL280UH090V48B	5697367
13ACX-036-230	TXV	35,800	14.00	11.00	CX34-44/48	SL280UH090V60C	5697375
13ACX-036-230	TXV	35,400	14.00	11.00	CX34-44/48	SL280UH090XV48B	5697368
13ACX-036-230	TXV	35,800	14.00	11.00	CX34-44/48	SL280UH090XV60C	5697378
13ACX-036-230	TXV	35,600	14.00	11.00	CX34-44/48	SL280UH110V60C	5697376
13ACX-036-230	TXV	35,600	14.00	11.00	CX34-44/48	SL280UH110XV60C	5697379
13ACX-036-230	TXV	35,400	14.00	11.00	CX34-44/48	SLP98UH090XV36C	5697380
13ACX-036-230	TXV	35,200	14.00	11.00	CX34-44/48	SLP98UH090XV48C	5697381
13ACX-036-230	TXV	35,600	14.00	11.00	CX34-44/48	SLP98UH110XV60C	5697382
13ACX-036-230	TXV	35,200	13.00	11.00	CX34-50/60C		5697383
13ACX-036-230	TXV	36,000	14.50	12.00	CX34-50/60C	EL180UH090E60C	5737059
13ACX-036-230	TXV	35,600	14.00	11.00	CX34-50/60C	EL180UH110E60C	5738836
13ACX-036-230	TXV	35,600	14.00	11.00	CX34-50/60C	EL180UH110XE60C	5739657
13ACX-036-230	TXV	35,800	14.00	11.00	CX34-50/60C	EL195UH090XE48C	5699596
13ACX-036-230	TXV	36,000	14.00	11.00	CX34-50/60C	EL195UH110XE60C	5699597
13ACX-036-230	TXV	35,800	14.00	11.00	CX34-50/60C	EL296UH090XE48C	5697401
13ACX-036-230	TXV	35,800	14.00	11.00	CX34-50/60C	EL296UH090XV36C	5699598
13ACX-036-230	TXV	35,600	14.00	11.00	CX34-50/60C	EL296UH090XV48C	5699599
13ACX-036-230	TXV	36,000	14.00	11.00	CX34-50/60C	EL296UH110XE60C	5697402
13ACX-036-230	TXV	36,000	14.50	12.00	CX34-50/60C	ML180UH090E60C	5699600
13ACX-036-230	TXV	35,600	14.00	11.00	CX34-50/60C	ML180UH110E60C	5699601
13ACX-036-230	TXV	35,600	14.00	11.00	CX34-50/60C	ML180UH110XE60C	5699604
13ACX-036-230	TXV	36,200	14.50	12.00	CX34-50/60C	SL280UH090V60C	5699602
13ACX-036-230	TXV	36,200	14.50	12.00	CX34-50/60C	SL280UH090XV60C	5699605
13ACX-036-230	TXV	36,000	14.00	11.00	CX34-50/60C	SL280UH110V60C	5699603
13ACX-036-230	TXV	36,000	14.00	11.00	CX34-50/60C	SL280UH110XV60C	5699606

NOTES:

TXV = Matched with Thermostatic Expansion Valve.

RFC = Matched with RFC metering device.

AHRI certified to AHRI Standard 210/240 (with 25 ft. of connecting refrigerant lines); 95°F outdoor air temperature, 80°F db / 67°F wb entering evaporator air.

All ratings include the use of a blower time delay relay (TDR). All Lennox variable-speed furnaces and Air Handlers have time delay capabilities. Other Furnaces and Air Handlers may require an optional time delay relay (**58M81**) for field installation. See furnace or air handler specifications to determine if relay is needed.

Also see Expansion Valve Kit Usage Table.

AHRI SYSTEM MATCHES

NOTE - For the latest up-to-date system matches please visit the AHRI web site at <http://www.ahridirectory.org>

Model No.	Expansion Device	Capacity	SEER	EER	Coil or Air Handler	Furnace	AHRI Reference
13ACX-036-230	TXV	35,800	14.00	11.00	CX34-50/60C	SLP98UH090XV36C	5699607
13ACX-036-230	TXV	35,600	14.00	11.00	CX34-50/60C	SLP98UH090XV48C	5699608
13ACX-036-230	TXV	36,000	14.00	11.00	CX34-50/60C	SLP98UH110XV60C	5699609
13ACX-042-230	RFC	41,500	13.00	11.00	C33-38		5560935
13ACX-042-230	RFC	41,500	13.00	11.00	C33-43		5560938
13ACX-042-230	RFC	42,000	13.00	11.00	C33-49		5560951
13ACX-042-230	RFC	41,000	13.00	10.50	C33-50/60C		5560965
13ACX-042-230	RFC	42,500	13.00	11.00	C33-62C		5562177
13ACX-042-230	RFC	41,500	13.00	11.00	CH33-43		5561010
13ACX-042-230	RFC	41,500	13.00	11.00	CH33-48		5561022
13ACX-042-230	RFC	42,000	13.00	11.00	CH33-49		5561025
13ACX-042-230	RFC	42,000	13.00	11.00	CH33-50/60C		5561036
13ACX-042-230	RFC	41,500	13.00	11.00	CR33-50/60		5561051
13ACX-042-230	RFC	41,000	13.00	10.50	CR33-60		5561054
13ACX-042-230	TXV	42,000	14.00	11.50	C33-43	EL180UH090E48B	5735706
13ACX-042-230	TXV	42,000	14.00	11.50	C33-43	EL180UH090E60C	5736802
13ACX-042-230	TXV	42,000	14.00	11.50	C33-43	EL180UH090XE48B	5737580
13ACX-042-230	TXV	42,000	14.00	11.50	C33-43	EL180UH110E60C	5738594
13ACX-042-230	TXV	42,000	14.00	11.50	C33-43	EL180UH110XE60C	5739454
13ACX-042-230	TXV	41,500	14.00	11.50	C33-43	EL195UH090XE48C	5560939
13ACX-042-230	TXV	42,000	14.00	11.50	C33-43	EL195UH110XE60C	5560940
13ACX-042-230	TXV	41,500	14.00	11.50	C33-43	EL296UH090XE48C	5649126
13ACX-042-230	TXV	42,000	14.00	11.50	C33-43	EL296UH090XV48C	5560941
13ACX-042-230	TXV	42,000	14.00	11.50	C33-43	EL296UH090XV60C	5560942
13ACX-042-230	TXV	42,000	14.00	11.50	C33-43	EL296UH110XE60C	5649127
13ACX-042-230	TXV	42,000	14.00	11.50	C33-43	EL296UH110XV48C	5685179
13ACX-042-230	TXV	42,000	14.00	11.50	C33-43	EL296UH110XV60C	5560944
13ACX-042-230	TXV	42,000	14.00	11.50	C33-43	ML180UH090E48B	5560936
13ACX-042-230	TXV	42,000	14.00	11.50	C33-43	ML180UH090E60C	5560945
13ACX-042-230	TXV	42,000	14.00	11.50	C33-43	ML180UH090XE48B	5560937
13ACX-042-230	TXV	42,000	14.00	11.50	C33-43	ML180UH110E60C	5560946
13ACX-042-230	TXV	42,000	14.00	11.50	C33-43	ML180UH110XE60C	5560947
13ACX-042-230	TXV	42,000	14.00	11.50	C33-43	SL280UH090V60C	5561107
13ACX-042-230	TXV	42,000	14.00	11.50	C33-43	SL280UH090XV60C	5561108
13ACX-042-230	TXV	42,000	14.00	11.50	C33-43	SL280UH110V60C	5561109
13ACX-042-230	TXV	42,000	14.00	11.50	C33-43	SL280UH110XV60C	5561110
13ACX-042-230	TXV	42,000	14.00	11.50	C33-43	SLO183B135/150V60	5614868
13ACX-042-230	TXV	42,000	14.00	11.50	C33-43	SLO183UF135/150V60	5614857
13ACX-042-230	TXV	42,000	14.00	11.50	C33-43	SLP98UH090XV48C	5560948
13ACX-042-230	TXV	42,000	14.00	11.50	C33-43	SLP98UH110XV60C	5560949
13ACX-042-230	TXV	41,000	13.00	10.50	C33-48		5561111
13ACX-042-230	TXV	41,500	14.00	11.50	C33-48	EL180UH090E60C	5736804
13ACX-042-230	TXV	41,500	14.00	11.50	C33-48	ML180UH090E60C	5560950
13ACX-042-230	TXV	42,500	14.00	11.50	C33-49	EL180UH090E60C	5736805
13ACX-042-230	TXV	42,500	14.00	11.50	C33-49	EL180UH110E60C	5738597
13ACX-042-230	TXV	42,500	14.00	11.50	C33-49	EL180UH110XE60C	5739456
13ACX-042-230	TXV	42,000	14.00	11.50	C33-49	EL195UH090XE48C	5560952
13ACX-042-230	TXV	42,500	14.00	11.50	C33-49	EL195UH110XE60C	5560953
13ACX-042-230	TXV	42,000	14.00	11.50	C33-49	EL296UH090XE48C	5649128

NOTES:

TXV = Matched with Thermostatic Expansion Valve.

RFC = Matched with RFC metering device.

AHRI certified to AHRI Standard 210/240 (with 25 ft. of connecting refrigerant lines); 95°F outdoor air temperature, 80°F db / 67°F wb entering evaporator air.

All ratings include the use of a blower time delay relay (TDR). All Lennox variable-speed furnaces and Air Handlers have time delay capabilities. Other Furnaces and Air Handlers may require an optional time delay relay (**58M81**) for field installation. See furnace or air handler specifications to determine if relay is needed.

Also see Expansion Valve Kit Usage Table.

AHRI SYSTEM MATCHES

NOTE - For the latest up-to-date system matches please visit the AHRI web site at <http://www.ahridirectory.org>

Model No.	Expansion Device	Capacity	SEER	EER	Coil or Air Handler	Furnace	AHRI Reference
13ACX-042-230	TXV	42,500	14.00	11.50	C33-49	EL296UH090XV48C	5560954
13ACX-042-230	TXV	42,000	14.00	11.50	C33-49	EL296UH090XV60C	5560955
13ACX-042-230	TXV	42,500	14.00	11.50	C33-49	EL296UH110XE60C	5649129
13ACX-042-230	TXV	42,500	14.00	11.50	C33-49	EL296UH110XV48C	5560956
13ACX-042-230	TXV	42,500	14.00	11.50	C33-49	EL296UH110XV60C	5560957
13ACX-042-230	TXV	42,500	14.00	11.50	C33-49	ML180UH090E60C	5560958
13ACX-042-230	TXV	42,500	14.00	11.50	C33-49	ML180UH110E60C	5560959
13ACX-042-230	TXV	42,500	14.00	11.50	C33-49	ML180UH110XE60C	5560960
13ACX-042-230	TXV	42,500	14.00	11.50	C33-49	SL280UH090V60C	5561112
13ACX-042-230	TXV	42,500	14.00	11.50	C33-49	SL280UH090XV60C	5561114
13ACX-042-230	TXV	42,500	14.00	11.50	C33-49	SL280UH110V60C	5561113
13ACX-042-230	TXV	42,500	14.00	11.50	C33-49	SL280UH110XV60C	5561115
13ACX-042-230	TXV	42,500	14.20	11.50	C33-49	SLO183B135/150V60	5614869
13ACX-042-230	TXV	42,500	14.20	11.50	C33-49	SLO183UF135/150V60	5614858
13ACX-042-230	TXV	42,000	14.00	11.50	C33-49	SLP98UH090XV36C	5560961
13ACX-042-230	TXV	42,000	14.00	11.50	C33-49	SLP98UH090XV48C	5560962
13ACX-042-230	TXV	42,500	14.00	11.50	C33-49	SLP98UH090XV60C	5560963
13ACX-042-230	TXV	42,500	14.00	11.50	C33-49	SLP98UH110XV60C	5560964
13ACX-042-230	TXV	42,000	14.00	11.50	C33-50/60C	EL180UH090E60C	5736807
13ACX-042-230	TXV	41,500	14.00	11.50	C33-50/60C	EL180UH110E60C	5738598
13ACX-042-230	TXV	41,500	14.00	11.50	C33-50/60C	EL180UH110XE60C	5739458
13ACX-042-230	TXV	42,000	14.00	11.50	C33-50/60C	ML180UH090E60C	5560966
13ACX-042-230	TXV	41,500	14.00	11.50	C33-50/60C	ML180UH110E60C	5560967
13ACX-042-230	TXV	41,500	14.00	11.50	C33-50/60C	ML180UH110XE60C	5560968
13ACX-042-230	TXV	41,000	13.00	11.00	C33-50/60C	SLP98UH090XV36C	5561003
13ACX-042-230	TXV	41,000	13.00	11.00	C33-50/60C	SLP98UH090XV48C	5561004
13ACX-042-230	TXV	41,500	13.00	11.00	C33-50/60C	SLP98UH090XV60C	5561005
13ACX-042-230	TXV	41,000	13.00	11.00	C33-50/60C	SLP98UH110XV60C	5561006
13ACX-042-230	TXV	42,500	14.20	11.50	C33-60D	SLO183B135/150V60	5614871
13ACX-042-230	TXV	42,500	14.20	11.50	C33-60D	SLO183UF135/150V60	5614860
13ACX-042-230	TXV	43,000	14.50	12.00	C33-62C	EL180UH090E60C	5736809
13ACX-042-230	TXV	43,000	14.50	12.00	C33-62C	EL180UH110E60C	5738600
13ACX-042-230	TXV	43,000	14.50	12.00	C33-62C	EL180UH110XE60C	5739460
13ACX-042-230	TXV	43,000	14.00	12.00	C33-62C	EL195UH090XE48C	5560969
13ACX-042-230	TXV	43,500	14.00	12.00	C33-62C	EL195UH110XE60C	5560970
13ACX-042-230	TXV	43,000	14.00	12.00	C33-62C	EL296UH090XE48C	5649130
13ACX-042-230	TXV	43,000	14.00	12.00	C33-62C	EL296UH090XV48C	5560971
13ACX-042-230	TXV	43,000	14.50	12.00	C33-62C	EL296UH090XV60C	5560972
13ACX-042-230	TXV	43,500	14.00	12.00	C33-62C	EL296UH110XE60C	5649131
13ACX-042-230	TXV	43,000	14.50	12.00	C33-62C	EL296UH110XV48C	5685180
13ACX-042-230	TXV	43,000	14.50	12.00	C33-62C	EL296UH110XV60C	5560974
13ACX-042-230	TXV	43,000	14.50	12.00	C33-62C	ML180UH090E60C	5560975
13ACX-042-230	TXV	43,000	14.50	12.00	C33-62C	ML180UH110E60C	5560976
13ACX-042-230	TXV	43,000	14.50	12.00	C33-62C	ML180UH110XE60C	5560979
13ACX-042-230	TXV	43,500	14.50	12.00	C33-62C	SL280UH090V60C	5560977
13ACX-042-230	TXV	43,500	14.50	12.00	C33-62C	SL280UH090XV60C	5560980
13ACX-042-230	TXV	43,500	14.50	12.00	C33-62C	SL280UH110V60C	5560978
13ACX-042-230	TXV	43,500	14.50	12.00	C33-62C	SL280UH110XV60C	5560981
13ACX-042-230	TXV	43,500	14.50	12.00	C33-62C	SLO183B135/150V60	5614870

NOTES:

TXV = Matched with Thermostatic Expansion Valve.

RFC = Matched with RFC metering device.

AHRI certified to AHRI Standard 210/240 (with 25 ft. of connecting refrigerant lines); 95°F outdoor air temperature, 80°F db / 67°F wb entering evaporator air.

All ratings include the use of a blower time delay relay (TDR). All Lennox variable-speed furnaces and Air Handlers have time delay capabilities. Other Furnaces and Air Handlers may require an optional time delay relay (**58M81**) for field installation. See furnace or air handler specifications to determine if relay is needed.

Also see Expansion Valve Kit Usage Table.

AHRI SYSTEM MATCHES

NOTE - For the latest up-to-date system matches please visit the AHRI web site at <http://www.ahridirectory.org>

Model No.	Expansion Device	Capacity	SEER	EER	Coil or Air Handler	Furnace	AHRI Reference
13ACX-042-230	TXV	43,500	14.50	12.00	C33-62C	SLO183UF135/150V60	5614859
13ACX-042-230	TXV	43,000	14.00	11.50	C33-62C	SLP98UH090XV36C	5560982
13ACX-042-230	TXV	43,000	14.00	12.00	C33-62C	SLP98UH090XV48C	5560983
13ACX-042-230	TXV	43,000	14.50	12.00	C33-62C	SLP98UH090XV60C	5560984
13ACX-042-230	TXV	43,000	14.50	12.00	C33-62C	SLP98UH110XV60C	5560985
13ACX-042-230	TXV	42,500	14.50	11.50	C33-62D	SLO183B135/150V60	5614872
13ACX-042-230	TXV	42,500	14.50	11.50	C33-62D	SLO183UF135/150V60	5614861
13ACX-042-230	TXV	41,500	13.00	11.00	CBX25UH-042		5732780
13ACX-042-230	TXV	40,000	13.00	11.00	CBX26UH-037		6504978
13ACX-042-230	TXV	41,000	13.00	11.00	CBX26UH-042		5560986
13ACX-042-230	TXV	42,000	14.00	11.50	CBX27UH-042		5560987
13ACX-042-230	TXV	42,000	14.00	11.50	CBX27UH-048		5560988
13ACX-042-230	TXV	40,500	13.00	11.00	CBX32M-036		5560989
13ACX-042-230	TXV	40,500	13.00	11.00	CBX32M-042		5560990
13ACX-042-230	TXV	41,500	13.00	11.00	CBX32M-048		5560991
13ACX-042-230	TXV	42,000	14.00	11.00	CBX32MV-048		5562178
13ACX-042-230	TXV	42,000	13.00	11.00	CBX40UHV-042		5560992
13ACX-042-230	TXV	42,000	14.00	11.00	CBX40UHV-048		5562179
13ACX-042-230	TXV	41,000	13.00	11.00	CH23-41	EL180UH090E48B	5735708
13ACX-042-230	TXV	41,000	13.00	11.00	CH23-41	EL180UH090E60C	5736811
13ACX-042-230	TXV	40,500	13.00	11.00	CH23-41	EL180UH110E60C	5738602
13ACX-042-230	TXV	41,000	13.00	11.00	CH23-41	ML180UH090E48B	5560993
13ACX-042-230	TXV	41,000	13.00	11.00	CH23-41	ML180UH090E60C	5560994
13ACX-042-230	TXV	40,500	13.00	11.00	CH23-41	ML180UH110E60C	5560995
13ACX-042-230	TXV	41,000	13.00	11.00	CH23-51	EL180UH090E48B	5735710
13ACX-042-230	TXV	41,000	14.00	11.00	CH23-51	EL180UH090E60C	5736833
13ACX-042-230	TXV	41,000	13.00	11.00	CH23-51	EL180UH110E60C	5738604
13ACX-042-230	TXV	41,000	13.00	11.00	CH23-51	EL296UH110XV48C	5560996
13ACX-042-230	TXV	41,000	13.00	11.00	CH23-51	ML180UH090E48B	5560997
13ACX-042-230	TXV	41,000	14.00	11.00	CH23-51	ML180UH090E60C	5561116
13ACX-042-230	TXV	41,000	13.00	11.00	CH23-51	ML180UH110E60C	5560998
13ACX-042-230	TXV	41,500	14.00	11.50	CH23-65	EL180UH090E60C	5736814
13ACX-042-230	TXV	41,000	13.00	11.00	CH23-65	EL195UH090XE48C	5560999
13ACX-042-230	TXV	41,500	13.00	11.00	CH23-65	EL195UH110XE60C	5561000
13ACX-042-230	TXV	41,000	13.00	11.00	CH23-65	EL296UH090XE48C	5649132
13ACX-042-230	TXV	41,000	13.00	11.00	CH23-65	EL296UH090XV48C	5561001
13ACX-042-230	TXV	41,000	14.00	11.00	CH23-65	EL296UH090XV60C	5561117
13ACX-042-230	TXV	41,500	13.00	11.00	CH23-65	EL296UH110XE60C	5649133
13ACX-042-230	TXV	41,500	14.00	11.00	CH23-65	EL296UH110XV60C	5561118
13ACX-042-230	TXV	41,500	14.00	11.50	CH23-65	ML180UH090E60C	5561002
13ACX-042-230	TXV	41,500	14.00	11.50	CH23-65	SL280UH090V60C	5561119
13ACX-042-230	TXV	41,000	14.00	11.00	CH23-65	SL280UH110V60C	5561120
13ACX-042-230	TXV	42,500	14.00	11.50	CH33-43	EL180UH090E48B	5735713
13ACX-042-230	TXV	42,000	14.00	11.50	CH33-43	EL180UH090E60C	5736816
13ACX-042-230	TXV	42,000	14.00	11.50	CH33-43	EL180UH110E60C	5738606
13ACX-042-230	TXV	42,000	14.00	11.50	CH33-43	EL296UH090XV48C	5561012
13ACX-042-230	TXV	42,000	14.00	11.50	CH33-43	EL296UH090XV60C	5561013
13ACX-042-230	TXV	42,500	14.00	11.50	CH33-43	EL296UH110XV60C	5562180
13ACX-042-230	TXV	42,500	14.00	11.50	CH33-43	ML180UH090E48B	5561007

NOTES:

TXV = Matched with Thermostatic Expansion Valve.

RFC = Matched with RFC metering device.

AHRI certified to AHRI Standard 210/240 (with 25 ft. of connecting refrigerant lines); 95°F outdoor air temperature, 80°F db / 67°F wb entering evaporator air.

All ratings include the use of a blower time delay relay (TDR). All Lennox variable-speed furnaces and Air Handlers have time delay capabilities. Other Furnaces and Air Handlers may require an optional time delay relay (**58M81**) for field installation. See furnace or air handler specifications to determine if relay is needed.

Also see Expansion Valve Kit Usage Table.

AHRI SYSTEM MATCHES

NOTE - For the latest up-to-date system matches please visit the AHRI web site at <http://www.ahridirectory.org>

Model No.	Expansion Device	Capacity	SEER	EER	Coil or Air Handler	Furnace	AHRI Reference
13ACX-042-230	TXV	42,000	14.00	11.50	CH33-43	ML180UH090E60C	5561015
13ACX-042-230	TXV	42,000	14.00	11.50	CH33-43	ML180UH110E60C	5561016
13ACX-042-230	TXV	42,500	14.00	11.50	CH33-43	SL280UH090V36B	5561008
13ACX-042-230	TXV	42,500	14.00	11.50	CH33-43	SL280UH090V48B	5561009
13ACX-042-230	TXV	42,500	14.00	11.50	CH33-43	SL280UH090V60C	5561121
13ACX-042-230	TXV	42,000	14.00	11.50	CH33-43	SL280UH110V60C	5561122
13ACX-042-230	TXV	42,000	14.00	11.50	CH33-43	SLP98UH090XV48C	5561017
13ACX-042-230	TXV	42,500	14.00	11.50	CH33-43	SLP98UH090XV60C	5561018
13ACX-042-230	TXV	42,000	14.00	11.50	CH33-43	SLP98UH110XV60C	5561019
13ACX-042-230	TXV	42,000	14.00	11.50	CH33-43C	EL195UH090XE48C	5561011
13ACX-042-230	TXV	42,000	14.00	11.50	CH33-43C	EL296UH090XE48C	5649134
13ACX-042-230	TXV	42,500	14.00	11.50	CH33-43C	EL296UH110XV48C	5561014
13ACX-042-230	TXV	42,000	14.00	11.00	CH33-44/48	EL180UH090E48B	5735716
13ACX-042-230	TXV	41,000	13.00	11.00	CH33-44/48	EL296UH045XV36B	5561020
13ACX-042-230	TXV	41,500	13.00	11.00	CH33-44/48	EL296UH070XV38B	5561021
13ACX-042-230	TXV	42,000	14.00	11.00	CH33-44/48	ML180UH090E48B	5561123
13ACX-042-230	TXV	41,500	14.00	11.50	CH33-48	EL180UH090E60C	5736818
13ACX-042-230	TXV	41,500	14.00	11.50	CH33-48	EL180UH110E60C	5738607
13ACX-042-230	TXV	41,500	14.00	11.50	CH33-48	ML180UH090E60C	5561023
13ACX-042-230	TXV	41,500	14.00	11.50	CH33-48	ML180UH110E60C	5561024
13ACX-042-230	TXV	42,500	14.00	11.50	CH33-49	EL180UH090E60C	5736819
13ACX-042-230	TXV	42,500	14.00	11.50	CH33-49	EL180UH110E60C	5738609
13ACX-042-230	TXV	42,000	14.00	11.50	CH33-49	EL195UH090XE48C	5561026
13ACX-042-230	TXV	43,000	14.00	11.50	CH33-49	EL195UH110XE60C	5561027
13ACX-042-230	TXV	42,000	14.00	11.50	CH33-49	EL296UH090XE48C	5649135
13ACX-042-230	TXV	42,500	14.00	11.50	CH33-49	EL296UH090XV48C	5561028
13ACX-042-230	TXV	42,500	14.00	11.50	CH33-49	EL296UH090XV60C	5561029
13ACX-042-230	TXV	43,000	14.00	11.50	CH33-49	EL296UH110XE60C	5649136
13ACX-042-230	TXV	42,500	14.00	11.50	CH33-49	EL296UH110XV48C	5561030
13ACX-042-230	TXV	42,500	14.00	11.50	CH33-49	EL296UH110XV60C	5561031
13ACX-042-230	TXV	42,500	14.00	11.50	CH33-49	ML180UH090E60C	5561032
13ACX-042-230	TXV	42,500	14.00	11.50	CH33-49	ML180UH110E60C	5561033
13ACX-042-230	TXV	42,500	14.00	11.50	CH33-49	SL280UH090V60C	5561124
13ACX-042-230	TXV	42,500	14.00	11.50	CH33-49	SLP98UH090XV48C	5561034
13ACX-042-230	TXV	42,500	14.00	11.50	CH33-49	SLP98UH110XV60C	5561035
13ACX-042-230	TXV	42,000	14.00	11.50	CH33-50/60C	EL180UH090E60C	5736822
13ACX-042-230	TXV	42,000	14.00	11.50	CH33-50/60C	EL180UH110E60C	5738611
13ACX-042-230	TXV	42,000	14.00	11.50	CH33-50/60C	EL195UH090XE48C	5561037
13ACX-042-230	TXV	42,500	14.00	11.50	CH33-50/60C	EL195UH110XE60C	5561038
13ACX-042-230	TXV	42,000	14.00	11.50	CH33-50/60C	EL296UH090XE48C	5649137
13ACX-042-230	TXV	42,500	14.00	11.50	CH33-50/60C	EL296UH090XV48C	5561039
13ACX-042-230	TXV	42,000	14.00	11.50	CH33-50/60C	EL296UH090XV60C	5561040
13ACX-042-230	TXV	42,500	14.00	11.50	CH33-50/60C	EL296UH110XE60C	5649138
13ACX-042-230	TXV	42,500	14.00	11.50	CH33-50/60C	EL296UH110XV48C	5561041
13ACX-042-230	TXV	42,500	14.00	11.50	CH33-50/60C	EL296UH110XV60C	5561042
13ACX-042-230	TXV	42,000	14.00	11.50	CH33-50/60C	ML180UH090E60C	5561043
13ACX-042-230	TXV	42,000	14.00	11.50	CH33-50/60C	ML180UH110E60C	5561044
13ACX-042-230	TXV	42,500	14.00	11.50	CH33-50/60C	SL280UH090V60C	5561125
13ACX-042-230	TXV	42,500	14.00	11.50	CH33-50/60C	SL280UH110V60C	5561126

NOTES:

TXV = Matched with Thermostatic Expansion Valve.

RFC = Matched with RFC metering device.

AHRI certified to AHRI Standard 210/240 (with 25 ft. of connecting refrigerant lines); 95°F outdoor air temperature, 80°F db / 67°F wb entering evaporator air.

All ratings include the use of a blower time delay relay (TDR). All Lennox variable-speed furnaces and Air Handlers have time delay capabilities. Other Furnaces and Air Handlers may require an optional time delay relay (**58M81**) for field installation. See furnace or air handler specifications to determine if relay is needed.

Also see Expansion Valve Kit Usage Table.

AHRI SYSTEM MATCHES

NOTE - For the latest up-to-date system matches please visit the AHRI web site at <http://www.ahridirectory.org>

Model No.	Expansion Device	Capacity	SEER	EER	Coil or Air Handler	Furnace	AHRI Reference
13ACX-042-230	TXV	42,000	14.00	11.50	CH33-50/60C	SLP98UH090XV48C	5561045
13ACX-042-230	TXV	42,500	14.00	11.50	CH33-50/60C	SLP98UH110XV60C	5561046
13ACX-042-230	TXV	40,500	13.00	11.00	CR33-48	EL195DF070XE48B	5561047
13ACX-042-230	TXV	41,000	13.00	11.00	CR33-48	EL195DF090XE48C	5562181
13ACX-042-230	TXV	40,500	13.00	11.00	CR33-48	EL296DF070XE48B	5649139
13ACX-042-230	TXV	40,500	13.00	11.00	CR33-48	EL296DF070XV48B	5561048
13ACX-042-230	TXV	41,000	13.00	11.00	CR33-48	EL296DF090XE48C	5649146
13ACX-042-230	TXV	41,500	13.00	11.00	CR33-48	EL296DF090XV60C	5561049
13ACX-042-230	TXV	41,500	13.00	11.00	CR33-48	EL296DF110XV60C	5561050
13ACX-042-230	TXV	42,000	14.00	11.50	CR33-50/60	EL180DF110E60C	5733565
13ACX-042-230	TXV	42,000	14.00	11.50	CR33-50/60	EL296DF110XV60C	5561052
13ACX-042-230	TXV	42,000	14.00	11.50	CR33-50/60	ML180DF110E60C	5561053
13ACX-042-230	TXV	42,000	14.00	11.50	CR33-50/60	SL280DF090V60C	5561127
13ACX-042-230	TXV	42,000	14.00	11.50	CR33-50/60	SL280DF110V60C	5561128
13ACX-042-230	TXV	41,500	13.00	11.00	CX34-38B	EL296UH045XV36B	5561055
13ACX-042-230	TXV	41,500	13.00	11.00	CX34-43		5561058
13ACX-042-230	TXV	42,000	14.00	11.50	CX34-43	EL180UH090E48B	5735715
13ACX-042-230	TXV	42,000	14.00	11.50	CX34-43	EL180UH090E60C	5736824
13ACX-042-230	TXV	42,000	14.00	11.50	CX34-43	EL180UH090XE48B	5737583
13ACX-042-230	TXV	42,000	14.00	11.50	CX34-43	EL180UH110E60C	5738613
13ACX-042-230	TXV	42,000	14.00	11.50	CX34-43	EL180UH110XE60C	5739462
13ACX-042-230	TXV	41,500	14.00	11.50	CX34-43	EL195UH090XE48C	5561059
13ACX-042-230	TXV	42,000	14.00	11.50	CX34-43	EL195UH110XE60C	5561060
13ACX-042-230	TXV	41,500	14.00	11.50	CX34-43	EL296UH090XE48C	5649140
13ACX-042-230	TXV	42,000	14.00	11.50	CX34-43	EL296UH090XV48C	5561061
13ACX-042-230	TXV	42,000	14.00	11.50	CX34-43	EL296UH090XV60C	5561062
13ACX-042-230	TXV	42,000	14.00	11.50	CX34-43	EL296UH110XE60C	5649141
13ACX-042-230	TXV	42,000	14.00	11.50	CX34-43	EL296UH110XV48C	5561063
13ACX-042-230	TXV	42,000	14.00	11.50	CX34-43	EL296UH110XV60C	5561064
13ACX-042-230	TXV	42,000	14.00	11.50	CX34-43	ML180UH090E48B	5561056
13ACX-042-230	TXV	42,000	14.00	11.50	CX34-43	ML180UH090E60C	5561065
13ACX-042-230	TXV	42,000	14.00	11.50	CX34-43	ML180UH090XE48B	5561057
13ACX-042-230	TXV	42,000	14.00	11.50	CX34-43	ML180UH110E60C	5561066
13ACX-042-230	TXV	42,000	14.00	11.50	CX34-43	ML180UH110XE60C	5561067
13ACX-042-230	TXV	42,000	14.00	11.50	CX34-43	SL280UH090V60C	5561129
13ACX-042-230	TXV	42,000	14.00	11.50	CX34-43	SL280UH090XV60C	5562182
13ACX-042-230	TXV	42,000	14.00	11.50	CX34-43	SL280UH110XV60C	5561130
13ACX-042-230	TXV	42,000	14.00	11.50	CX34-43	SLO183B135/150V60	5614873
13ACX-042-230	TXV	42,000	14.00	11.50	CX34-43	SLO183UF135/150V60	5614862
13ACX-042-230	TXV	42,000	14.00	11.50	CX34-43	SLP98UH090XV48C	5561068
13ACX-042-230	TXV	42,000	14.00	11.50	CX34-43	SLP98UH110XV60C	5561069
13ACX-042-230	TXV	41,000	13.00	10.50	CX34-44/48		5562183
13ACX-042-230	TXV	41,500	14.00	11.50	CX34-44/48	EL180UH090E60C	5736826
13ACX-042-230	TXV	41,500	14.00	11.50	CX34-44/48	ML180UH090E60C	5561070
13ACX-042-230	TXV	42,000	13.00	11.00	CX34-49		5561071
13ACX-042-230	TXV	42,500	14.00	11.50	CX34-49	EL180UH090E60C	5736827
13ACX-042-230	TXV	42,500	14.00	11.50	CX34-49	EL180UH110E60C	5738616
13ACX-042-230	TXV	42,500	14.00	11.50	CX34-49	EL180UH110XE60C	5739464
13ACX-042-230	TXV	42,000	14.00	11.50	CX34-49	EL195UH090XE48C	5561072

NOTES:

TXV = Matched with Thermostatic Expansion Valve.

RFC = Matched with RFC metering device.

AHRI certified to AHRI Standard 210/240 (with 25 ft. of connecting refrigerant lines); 95°F outdoor air temperature, 80°F db / 67°F wb entering evaporator air.

All ratings include the use of a blower time delay relay (TDR). All Lennox variable-speed furnaces and Air Handlers have time delay capabilities. Other Furnaces and Air Handlers may require an optional time delay relay (**58M81**) for field installation. See furnace or air handler specifications to determine if relay is needed.

Also see Expansion Valve Kit Usage Table.

AHRI SYSTEM MATCHES

NOTE - For the latest up-to-date system matches please visit the AHRI web site at <http://www.ahridirectory.org>

Model No.	Expansion Device	Capacity	SEER	EER	Coil or Air Handler	Furnace	AHRI Reference
13ACX-042-230	TXV	42,500	14.00	11.50	CX34-49	EL195UH110XE60C	5561073
13ACX-042-230	TXV	42,000	14.00	11.50	CX34-49	EL296UH090XE48C	5649142
13ACX-042-230	TXV	42,500	14.00	11.50	CX34-49	EL296UH090XV48C	5561074
13ACX-042-230	TXV	42,000	14.00	11.50	CX34-49	EL296UH090XV60C	5561075
13ACX-042-230	TXV	42,500	14.00	11.50	CX34-49	EL296UH110XE60C	5649143
13ACX-042-230	TXV	42,500	14.00	11.50	CX34-49	EL296UH110XV48C	5561076
13ACX-042-230	TXV	42,500	14.00	11.50	CX34-49	EL296UH110XV60C	5561077
13ACX-042-230	TXV	42,500	14.00	11.50	CX34-49	ML180UH090E60C	5561078
13ACX-042-230	TXV	42,500	14.00	11.50	CX34-49	ML180UH110E60C	5561079
13ACX-042-230	TXV	42,500	14.00	11.50	CX34-49	ML180UH110XE60C	5561080
13ACX-042-230	TXV	42,500	14.00	11.50	CX34-49	SL280UH090V60C	5561131
13ACX-042-230	TXV	42,500	14.00	11.50	CX34-49	SL280UH090XV60C	5561133
13ACX-042-230	TXV	42,500	14.00	11.50	CX34-49	SL280UH110V60C	5561132
13ACX-042-230	TXV	42,500	14.00	11.50	CX34-49	SL280UH110XV60C	5562184
13ACX-042-230	TXV	42,500	14.20	11.50	CX34-49	SLO183B135/150V60	5614874
13ACX-042-230	TXV	42,500	14.20	11.50	CX34-49	SLO183UF135/150V60	5614863
13ACX-042-230	TXV	42,000	14.00	11.50	CX34-49	SLP98UH090XV36C	5561081
13ACX-042-230	TXV	42,000	14.00	11.50	CX34-49	SLP98UH090XV48C	5561082
13ACX-042-230	TXV	42,500	14.00	11.50	CX34-49	SLP98UH090XV60C	5561083
13ACX-042-230	TXV	42,500	14.00	11.50	CX34-49	SLP98UH110XV60C	5561084
13ACX-042-230	TXV	41,000	13.00	10.50	CX34-50/60C		5561085
13ACX-042-230	TXV	42,000	14.00	11.50	CX34-50/60C	EL180UH090E60C	5736829
13ACX-042-230	TXV	41,500	14.00	11.50	CX34-50/60C	EL180UH110E60C	5738618
13ACX-042-230	TXV	41,500	14.00	11.50	CX34-50/60C	EL180UH110XE60C	5739466
13ACX-042-230	TXV	42,000	14.00	11.50	CX34-50/60C	ML180UH090E60C	5561086
13ACX-042-230	TXV	41,500	14.00	11.50	CX34-50/60C	ML180UH110E60C	5561087
13ACX-042-230	TXV	41,500	14.00	11.50	CX34-50/60C	ML180UH110XE60C	5561088
13ACX-042-230	TXV	42,500	14.20	11.50	CX34-60D	SLO183B135/150V60	5614876
13ACX-042-230	TXV	42,500	14.20	11.50	CX34-60D	SLO183UF135/150V60	5614865
13ACX-042-230	TXV	42,500	13.00	11.00	CX34-62C		5561089
13ACX-042-230	TXV	43,000	14.50	12.00	CX34-62C	EL180UH090E60C	5736831
13ACX-042-230	TXV	43,000	14.50	12.00	CX34-62C	EL180UH110E60C	5738619
13ACX-042-230	TXV	43,000	14.50	12.00	CX34-62C	EL180UH110XE60C	5739467
13ACX-042-230	TXV	43,000	14.00	12.00	CX34-62C	EL195UH090XE48C	5561090
13ACX-042-230	TXV	43,500	14.00	12.00	CX34-62C	EL195UH110XE60C	5561091
13ACX-042-230	TXV	43,000	14.00	12.00	CX34-62C	EL296UH090XE48C	5649144
13ACX-042-230	TXV	43,000	14.00	12.00	CX34-62C	EL296UH090XV48C	5561092
13ACX-042-230	TXV	43,000	14.50	12.00	CX34-62C	EL296UH090XV60C	5561093
13ACX-042-230	TXV	43,500	14.00	12.00	CX34-62C	EL296UH110XE60C	5649145
13ACX-042-230	TXV	43,000	14.50	12.00	CX34-62C	EL296UH110XV48C	5561094
13ACX-042-230	TXV	43,000	14.50	12.00	CX34-62C	EL296UH110XV60C	5561095
13ACX-042-230	TXV	43,000	14.50	12.00	CX34-62C	ML180UH090E60C	5561096
13ACX-042-230	TXV	43,000	14.50	12.00	CX34-62C	ML180UH110E60C	5561097
13ACX-042-230	TXV	43,000	14.50	12.00	CX34-62C	ML180UH110XE60C	5561100
13ACX-042-230	TXV	43,500	14.50	12.00	CX34-62C	SL280UH090V60C	5561098
13ACX-042-230	TXV	43,500	14.50	12.00	CX34-62C	SL280UH090XV60C	5561101
13ACX-042-230	TXV	43,500	14.50	12.00	CX34-62C	SL280UH110V60C	5561099
13ACX-042-230	TXV	43,500	14.50	12.00	CX34-62C	SL280UH110XV60C	5561102
13ACX-042-230	TXV	43,500	14.50	12.00	CX34-62C	SLO183B135/150V60	5614875

NOTES:

TXV = Matched with Thermostatic Expansion Valve.

RFC = Matched with RFC metering device.

AHRI certified to AHRI Standard 210/240 (with 25 ft. of connecting refrigerant lines); 95°F outdoor air temperature, 80°F db / 67°F wb entering evaporator air.

All ratings include the use of a blower time delay relay (TDR). All Lennox variable-speed furnaces and Air Handlers have time delay capabilities. Other Furnaces and Air Handlers may require an optional time delay relay (**58M81**) for field installation. See furnace or air handler specifications to determine if relay is needed.

Also see Expansion Valve Kit Usage Table.

AHRI SYSTEM MATCHES

NOTE - For the latest up-to-date system matches please visit the AHRI web site at <http://www.ahridirectory.org>

Model No.	Expansion Device	Capacity	SEER	EER	Coil or Air Handler	Furnace	AHRI Reference
13ACX-042-230	TXV	43,500	14.50	12.00	CX34-62C	SLO183UF135/150V60	5614864
13ACX-042-230	TXV	43,000	14.00	11.50	CX34-62C	SLP98UH090XV36C	5561103
13ACX-042-230	TXV	43,000	14.00	12.00	CX34-62C	SLP98UH090XV48C	5561104
13ACX-042-230	TXV	43,000	14.50	12.00	CX34-62C	SLP98UH090XV60C	5561105
13ACX-042-230	TXV	43,000	14.50	12.00	CX34-62C	SLP98UH110XV60C	5561106
13ACX-042-230	TXV	42,500	14.50	11.50	CX34-62D	SLO183B135/150V60	5614877
13ACX-042-230	TXV	42,500	14.50	11.50	CX34-62D	SLO183UF135/150V60	5614866
13ACX-048-230	RFC	48,500	13.00	11.00	C33-43		5615568
13ACX-048-230	RFC	49,000	13.00	11.00	C33-49		5615569
13ACX-048-230	RFC	50,000	13.00	11.00	C33-62C		5615583
13ACX-048-230	RFC	49,000	13.00	11.00	C33-62D		5615600
13ACX-048-230	RFC	49,000	13.00	11.00	CH23-68		5615620
13ACX-048-230	RFC	48,500	13.00	11.00	CH33-43		5615686
13ACX-048-230	RFC	49,000	13.00	11.00	CH33-49		5615687
13ACX-048-230	RFC	49,000	13.00	11.00	CH33-50/60C		5615627
13ACX-048-230	RFC	48,500	13.00	11.00	CH33-60D		5615628
13ACX-048-230	RFC	49,000	13.00	11.00	CH33-62D		5615629
13ACX-048-230	TXV	48,000	13.00	11.00	C33-38B	EL180UH090E48B	5735801
13ACX-048-230	TXV	48,000	13.00	11.00	C33-38B	EL180UH090XE48B	5737660
13ACX-048-230	TXV	48,000	13.00	11.00	C33-38B	ML180UH090E48B	5615565
13ACX-048-230	TXV	48,000	13.00	11.00	C33-38B	ML180UH090XE48B	5615566
13ACX-048-230	TXV	48,000	13.00	11.00	C33-38B	SL280UH090V48B	5615685
13ACX-048-230	TXV	48,000	13.00	11.00	C33-38B	SL280UH090XV48B	5615567
13ACX-048-230	TXV	48,500	13.00	11.00	C33-43		5615671
13ACX-048-230	TXV	49,000	13.00	11.00	C33-49		5615672
13ACX-048-230	TXV	49,000	14.00	11.70	C33-49	EL180UH090E60C	5736898
13ACX-048-230	TXV	49,000	14.00	11.70	C33-49	EL180UH110E60C	5738683
13ACX-048-230	TXV	49,000	14.00	11.70	C33-49	EL180UH110XE60C	5739527
13ACX-048-230	TXV	49,000	14.00	11.70	C33-49	EL195UH110XE60C	5615570
13ACX-048-230	TXV	49,000	14.00	11.70	C33-49	EL296UH110XE60C	5649346
13ACX-048-230	TXV	49,000	14.00	11.70	C33-49	ML180UH090E60C	5615571
13ACX-048-230	TXV	49,000	14.00	11.70	C33-49	ML180UH110E60C	5615572
13ACX-048-230	TXV	49,000	14.00	11.70	C33-49	ML180UH110XE60C	5615573
13ACX-048-230	TXV	49,500	14.00	11.70	C33-49	SL280UH090V60C	5615576
13ACX-048-230	TXV	49,500	14.00	11.70	C33-49	SL280UH090XV60C	5615574
13ACX-048-230	TXV	49,500	14.00	11.70	C33-49	SL280UH110V60C	5615577
13ACX-048-230	TXV	49,500	14.00	11.70	C33-49	SL280UH110XV60C	5615575
13ACX-048-230	TXV	47,500	13.00	11.00	C33-50/60C		5615578
13ACX-048-230	TXV	49,000	13.00	11.00	C33-60D		5615579
13ACX-048-230	TXV	49,000	13.00	11.00	C33-60D		5615688
13ACX-048-230	TXV	49,500	14.00	11.70	C33-60D	EL180UH135E60D	5746086
13ACX-048-230	TXV	49,500	14.00	11.70	C33-60D	ML180UH135E60D	5615580
13ACX-048-230	TXV	49,000	14.00	11.70	C33-60D	SL280UH135V60D	5615581
13ACX-048-230	TXV	49,000	14.00	11.70	C33-60D	SLP98UH135XV60D	5615582
13ACX-048-230	TXV	50,000	13.00	11.70	C33-62C		5615673
13ACX-048-230	TXV	50,000	14.00	11.70	C33-62C	EL180UH090E60C	5736899
13ACX-048-230	TXV	50,000	14.00	11.70	C33-62C	EL180UH110E60C	5738686
13ACX-048-230	TXV	50,000	14.00	11.70	C33-62C	EL180UH110XE60C	5739530
13ACX-048-230	TXV	50,000	14.00	11.70	C33-62C	EL195UH090XE48C	5615584

NOTES:

TXV = Matched with Thermostatic Expansion Valve.

RFC = Matched with RFC metering device.

AHRI certified to AHRI Standard 210/240 (with 25 ft. of connecting refrigerant lines); 95°F outdoor air temperature, 80°F db / 67°F wb entering evaporator air.

All ratings include the use of a blower time delay relay (TDR). All Lennox variable-speed furnaces and Air Handlers have time delay capabilities. Other Furnaces and Air Handlers may require an optional time delay relay (**58M81**) for field installation. See furnace or air handler specifications to determine if relay is needed.

Also see Expansion Valve Kit Usage Table.

AHRI SYSTEM MATCHES

NOTE - For the latest up-to-date system matches please visit the AHRI web site at <http://www.ahridirectory.org>

Model No.	Expansion Device	Capacity	SEER	EER	Coil or Air Handler	Furnace	AHRI Reference
13ACX-048-230	TXV	50,000	14.00	11.70	C33-62C	EL195UH110XE60C	5615585
13ACX-048-230	TXV	50,000	14.00	11.70	C33-62C	EL296UH090XE48C	5649344
13ACX-048-230	TXV	50,000	14.00	11.70	C33-62C	EL296UH090XV48C	5615586
13ACX-048-230	TXV	50,000	14.00	11.70	C33-62C	EL296UH090XV60C	5615587
13ACX-048-230	TXV	50,000	14.00	11.70	C33-62C	EL296UH110XE60C	5649345
13ACX-048-230	TXV	50,000	14.00	11.70	C33-62C	EL296UH110XV48C	5615588
13ACX-048-230	TXV	50,000	14.00	11.70	C33-62C	EL296UH110XV60C	5615589
13ACX-048-230	TXV	50,000	14.00	11.70	C33-62C	ML180UH090E60C	5615590
13ACX-048-230	TXV	50,000	14.00	11.70	C33-62C	ML180UH110E60C	5615594
13ACX-048-230	TXV	50,000	14.00	11.70	C33-62C	ML180UH110XE60C	5615591
13ACX-048-230	TXV	50,000	14.00	11.70	C33-62C	SL280UH090V60C	5615595
13ACX-048-230	TXV	50,000	14.00	11.70	C33-62C	SL280UH090XV60C	5615592
13ACX-048-230	TXV	50,000	14.00	11.70	C33-62C	SL280UH110V60C	5615596
13ACX-048-230	TXV	50,000	14.00	11.70	C33-62C	SL280UH110XV60C	5615593
13ACX-048-230	TXV	49,500	14.00	11.70	C33-62C	SLP98UH090XV48C	5615597
13ACX-048-230	TXV	50,000	14.00	11.70	C33-62C	SLP98UH090XV60C	5615598
13ACX-048-230	TXV	50,000	14.00	11.70	C33-62C	SLP98UH110XV60C	5615599
13ACX-048-230	TXV	49,000	13.00	11.70	C33-62D		5615674
13ACX-048-230	TXV	49,500	14.00	11.70	C33-62D	EL180UH135E60D	5746087
13ACX-048-230	TXV	50,000	14.00	11.70	C33-62D	EL296UH135XV60D	5615602
13ACX-048-230	TXV	49,500	14.00	11.70	C33-62D	ML180UH135E60D	5615601
13ACX-048-230	TXV	49,500	14.00	11.70	C33-62D	SL280UH135V60D	5615603
13ACX-048-230	TXV	49,000	14.00	11.70	C33-62D	SLP98UH135XV60D	5615604
13ACX-048-230	TXV	49,500	13.00	11.00	CBX25UH-048		5732781
13ACX-048-230	TXV	49,500	13.00	11.00	CBX26UH-048		5615605
13ACX-048-230	TXV	49,500	13.00	11.00	CBX27UH-048		5615606
13ACX-048-230	TXV	49,500	13.00	11.00	CBX27UH-060		5615607
13ACX-048-230	TXV	49,000	13.00	11.00	CBX32M-048		5615608
13ACX-048-230	TXV	49,500	13.00	11.00	CBX32M-060		5615609
13ACX-048-230	TXV	49,000	13.00	11.00	CBX32MV-048		5615610
13ACX-048-230	TXV	49,500	13.00	11.00	CBX32MV-060		5615611
13ACX-048-230	TXV	49,000	13.00	11.00	CBX40UHV-048		5615612
13ACX-048-230	TXV	49,500	13.00	11.00	CBX40UHV-060		5615613
13ACX-048-230	TXV	47,000	13.00	11.00	CH23-51	EL180UH090E60C	5736901
13ACX-048-230	TXV	47,000	13.00	11.00	CH23-51	EL180UH110E60C	5738688
13ACX-048-230	TXV	47,000	13.00	11.00	CH23-51	EL296UH110XV48C	5615614
13ACX-048-230	TXV	47,000	13.00	11.00	CH23-51	ML180UH090E60C	5615615
13ACX-048-230	TXV	47,000	13.00	11.00	CH23-51	ML180UH110E60C	5615616
13ACX-048-230	TXV	48,000	13.00	11.00	CH23-65	EL180UH090E60C	5736903
13ACX-048-230	TXV	48,000	13.00	11.00	CH23-65	EL180UH110E60C	5738690
13ACX-048-230	TXV	47,500	13.00	11.00	CH23-65	EL296UH110XV48C	5615617
13ACX-048-230	TXV	48,000	13.00	11.00	CH23-65	ML180UH090E60C	5615618
13ACX-048-230	TXV	48,000	13.00	11.00	CH23-65	ML180UH110E60C	5615619
13ACX-048-230	TXV	49,000	13.00	11.00	CH23-68		5615675
13ACX-048-230	TXV	50,000	14.00	11.70	CH23-68	EL180UH135E60D	5746088
13ACX-048-230	TXV	50,000	14.00	11.70	CH23-68	ML180UH135E60D	5615621
13ACX-048-230	TXV	48,500	13.00	11.00	CH33-43		5615676
13ACX-048-230	TXV	48,000	13.00	11.00	CH33-44/48B	EL180UH090E48B	5735803
13ACX-048-230	TXV	48,000	13.00	11.00	CH33-44/48B	ML180UH090E48B	5615622

NOTES:

TXV = Matched with Thermostatic Expansion Valve.

RFC = Matched with RFC metering device.

AHRI certified to AHRI Standard 210/240 (with 25 ft. of connecting refrigerant lines); 95°F outdoor air temperature, 80°F db / 67°F wb entering evaporator air.

All ratings include the use of a blower time delay relay (TDR). All Lennox variable-speed furnaces and Air Handlers have time delay capabilities. Other Furnaces and Air Handlers may require an optional time delay relay (**58M81**) for field installation. See furnace or air handler specifications to determine if relay is needed.

Also see Expansion Valve Kit Usage Table.

AHRI SYSTEM MATCHES

NOTE - For the latest up-to-date system matches please visit the AHRI web site at <http://www.ahridirectory.org>

Model No.	Expansion Device	Capacity	SEER	EER	Coil or Air Handler	Furnace	AHRI Reference
13ACX-048-230	TXV	48,000	13.00	11.00	CH33-48C		5615623
13ACX-048-230	TXV	49,000	13.00	11.00	CH33-49		5615677
13ACX-048-230	TXV	49,000	14.00	11.70	CH33-49	EL180UH090E60C	5736905
13ACX-048-230	TXV	49,000	14.00	11.70	CH33-49	EL180UH110E60C	5738692
13ACX-048-230	TXV	49,000	14.00	11.70	CH33-49	EL180UH110XE60C	5739531
13ACX-048-230	TXV	49,000	14.00	11.70	CH33-49	ML180UH090E60C	5615624
13ACX-048-230	TXV	49,000	14.00	11.70	CH33-49	ML180UH110E60C	5615625
13ACX-048-230	TXV	49,000	14.00	11.70	CH33-49	ML180UH110XE60C	5615626
13ACX-048-230	TXV	49,000	13.00	11.00	CH33-50/60C		5615678
13ACX-048-230	TXV	48,500	13.00	11.00	CH33-60D		5615679
13ACX-048-230	TXV	49,000	13.00	11.00	CH33-62D		5615680
13ACX-048-230	TXV	49,500	14.00	11.70	CH33-62D	EL180UH135E60D	5745971
13ACX-048-230	TXV	49,500	14.00	11.70	CH33-62D	ML180UH135E60D	5615630
13ACX-048-230	TXV	49,000	14.00	11.70	CH33-62D	SL280UH135V60D	5615631
13ACX-048-230	TXV	48,500	14.00	11.70	CH33-62D	SLP98UH135XV60D	5615632
13ACX-048-230	TXV	48,000	13.00	11.00	CR33-50/60		5615633
13ACX-048-230	TXV	48,000	13.00	11.00	CR33-60		5615634
13ACX-048-230	TXV	48,500	13.00	11.00	CX34-43		5615635
13ACX-048-230	TXV	49,000	13.00	11.00	CX34-49		5615636
13ACX-048-230	TXV	49,000	14.00	11.70	CX34-49	EL180UH090E60C	5736909
13ACX-048-230	TXV	49,000	14.00	11.70	CX34-49	EL180UH110E60C	5738694
13ACX-048-230	TXV	49,000	14.00	11.70	CX34-49	EL180UH110XE60C	5739533
13ACX-048-230	TXV	49,000	14.00	11.70	CX34-49	EL195UH110XE60C	5615637
13ACX-048-230	TXV	49,000	14.00	11.70	CX34-49	EL296UH110XE60C	5649349
13ACX-048-230	TXV	49,000	14.00	11.70	CX34-49	ML180UH090E60C	5615638
13ACX-048-230	TXV	49,000	14.00	11.70	CX34-49	ML180UH110E60C	5615639
13ACX-048-230	TXV	49,000	14.00	11.70	CX34-49	ML180UH110XE60C	5615640
13ACX-048-230	TXV	49,500	14.00	11.70	CX34-49	SL280UH090V60C	5615643
13ACX-048-230	TXV	49,500	14.00	11.70	CX34-49	SL280UH090XV60C	5615641
13ACX-048-230	TXV	49,500	14.00	11.70	CX34-49	SL280UH110V60C	5615644
13ACX-048-230	TXV	49,500	14.00	11.70	CX34-49	SL280UH110XV60C	5615642
13ACX-048-230	TXV	47,500	13.00	11.00	CX34-50/60C		5615645
13ACX-048-230	TXV	49,000	13.00	11.00	CX34-60D		5615646
13ACX-048-230	TXV	49,500	14.00	11.70	CX34-60D	EL180UH135E60D	5746089
13ACX-048-230	TXV	49,500	14.00	11.70	CX34-60D	ML180UH135E60D	5615647
13ACX-048-230	TXV	49,000	14.00	11.70	CX34-60D	SL280UH135V60D	5615648
13ACX-048-230	TXV	49,000	14.00	11.70	CX34-60D	SLP98UH135XV60D	5615649
13ACX-048-230	TXV	50,000	13.00	11.00	CX34-62C		5615650
13ACX-048-230	TXV	50,000	14.00	11.70	CX34-62C	EL180UH090E60C	5736907
13ACX-048-230	TXV	50,000	14.00	11.70	CX34-62C	EL180UH110E60C	5738695
13ACX-048-230	TXV	50,000	14.00	11.70	CX34-62C	EL180UH110XE60C	5739535
13ACX-048-230	TXV	50,000	14.00	11.70	CX34-62C	EL195UH090XE48C	5615651
13ACX-048-230	TXV	50,000	14.00	11.70	CX34-62C	EL195UH110XE60C	5615652
13ACX-048-230	TXV	50,000	14.00	11.70	CX34-62C	EL296UH090XE48C	5649347
13ACX-048-230	TXV	50,000	14.00	11.70	CX34-62C	EL296UH090XV48C	5615653
13ACX-048-230	TXV	50,000	14.00	11.70	CX34-62C	EL296UH090XV60C	5615654
13ACX-048-230	TXV	50,000	14.00	11.70	CX34-62C	EL296UH110XE60C	5649348
13ACX-048-230	TXV	50,000	14.00	11.70	CX34-62C	EL296UH110XV48C	5615655
13ACX-048-230	TXV	50,000	14.00	11.70	CX34-62C	EL296UH110XV60C	5615656

NOTES:

TXV = Matched with Thermostatic Expansion Valve.

RFC = Matched with RFC metering device.

AHRI certified to AHRI Standard 210/240 (with 25 ft. of connecting refrigerant lines); 95°F outdoor air temperature, 80°F db / 67°F wb entering evaporator air.

All ratings include the use of a blower time delay relay (TDR). All Lennox variable-speed furnaces and Air Handlers have time delay capabilities. Other Furnaces and Air Handlers may require an optional time delay relay (**58M81**) for field installation. See furnace or air handler specifications to determine if relay is needed.

Also see Expansion Valve Kit Usage Table.

AHRI SYSTEM MATCHES

NOTE - For the latest up-to-date system matches please visit the AHRI web site at <http://www.ahridirectory.org>

Model No.	Expansion Device	Capacity	SEER	EER	Coil or Air Handler	Furnace	AHRI Reference
13ACX-048-230	TXV	50,000	14.00	11.70	CX34-62C	ML180UH090E60C	5615657
13ACX-048-230	TXV	50,000	14.00	11.70	CX34-62C	ML180UH110E60C	5615661
13ACX-048-230	TXV	50,000	14.00	11.70	CX34-62C	ML180UH110XE60C	5615658
13ACX-048-230	TXV	50,000	14.00	11.70	CX34-62C	SL280UH090V60C	5615662
13ACX-048-230	TXV	50,000	14.00	11.70	CX34-62C	SL280UH090XV60C	5615659
13ACX-048-230	TXV	50,000	14.00	11.70	CX34-62C	SL280UH110V60C	5615663
13ACX-048-230	TXV	50,000	14.00	11.70	CX34-62C	SL280UH110XV60C	5615660
13ACX-048-230	TXV	49,500	14.00	11.70	CX34-62C	SLP98UH090XV48C	5615664
13ACX-048-230	TXV	50,000	14.00	11.70	CX34-62C	SLP98UH090XV60C	5615665
13ACX-048-230	TXV	50,000	14.00	11.70	CX34-62C	SLP98UH110XV60C	5615666
13ACX-048-230	TXV	49,000	13.00	11.00	CX34-62D		5615667
13ACX-048-230	TXV	49,500	14.00	11.70	CX34-62D	EL180UH135E60D	5746090
13ACX-048-230	TXV	49,500	14.00	11.70	CX34-62D	ML180UH135E60D	5615668
13ACX-048-230	TXV	49,500	14.00	11.70	CX34-62D	SL280UH135V60D	5615669
13ACX-048-230	TXV	49,000	14.00	11.70	CX34-62D	SLP98UH135XV60D	5615670
13ACX-060-230	RFC	57,500	13.00	11.00	C33-49		5615689
13ACX-060-230	RFC	57,500	13.00	11.00	C33-60D		5615690
13ACX-060-230	RFC	59,000	13.00	11.00	C33-62C		5615691
13ACX-060-230	RFC	58,000	13.00	11.00	C33-62D		5615692
13ACX-060-230	TXV	57,500	13.00	11.00	C33-49		5615707
13ACX-060-230	TXV	57,500	13.00	11.00	C33-60D		5615708
13ACX-060-230	TXV	59,000	13.00	11.00	C33-62C		5615709
13ACX-060-230	TXV	58,000	13.00	11.00	C33-62D		5615710
13ACX-060-230	TXV	58,500	13.00	11.00	CBX25UH-060		5732782
13ACX-060-230	TXV	59,000	13.00	11.00	CBX26UH-060		5615693
13ACX-060-230	TXV	57,500	13.00	11.00	CBX27UH-060		5615694
13ACX-060-230	TXV	56,000	13.00	11.00	CBX32M-048		5615695
13ACX-060-230	TXV	57,000	13.00	11.00	CBX32M-060		5615696
13ACX-060-230	TXV	57,000	13.00	11.00	CBX32MV-048		5615697
13ACX-060-230	TXV	57,500	13.00	11.00	CBX32MV-060		5615698
13ACX-060-230	TXV	57,000	13.00	11.00	CBX32MV-068		5615699
13ACX-060-230	TXV	57,000	13.00	11.00	CBX40UHV-048		5615700
13ACX-060-230	TXV	57,500	13.00	11.00	CBX40UHV-060		5615701
13ACX-060-230	TXV	58,000	13.00	11.00	CH23-68		5615711
13ACX-060-230	TXV	58,000	13.00	11.00	CH23-68		5615715
13ACX-060-230	TXV	57,500	13.00	11.00	CH33-50/60C		5615712
13ACX-060-230	TXV	57,500	13.00	11.00	CH33-50/60C		5615702
13ACX-060-230	TXV	57,000	13.00	11.00	CH33-60D		5615716
13ACX-060-230	TXV	57,000	13.00	11.00	CH33-60D		5615713
13ACX-060-230	TXV	57,000	13.00	11.00	CH33-62D		5615714
13ACX-060-230	TXV	57,000	13.00	11.00	CH33-62D		5615717
13ACX-060-230	TXV	57,000	13.00	11.00	CH33-62D		5615718
13ACX-060-230	TXV	56,000	13.00	11.00	CR33-60D		5615719
13ACX-060-230	TXV	57,500	13.00	11.00	CX34-49		5615703
13ACX-060-230	TXV	57,500	13.00	11.00	CX34-60D		5615704
13ACX-060-230	TXV	59,000	13.00	11.00	CX34-62C		5615705
13ACX-060-230	TXV	58,000	13.00	11.00	CX34-62D		5615706

NOTES:

TXV = Matched with Thermostatic Expansion Valve.

RFC = Matched with RFC metering device.

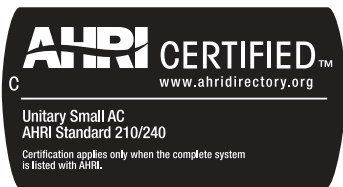
AHRI certified to AHRI Standard 210/240 (with 25 ft. of connecting refrigerant lines); 95°F outdoor air temperature, 80°F db / 67°F wb entering evaporator air.

All ratings include the use of a blower time delay relay (TDR). All Lennox variable-speed furnaces and Air Handlers have time delay capabilities. Other Furnaces and Air Handlers may require an optional time delay relay (**58M81**) for field installation. See furnace or air handler specifications to determine if relay is needed.

Also see Expansion Valve Kit Usage Table.

REVISIONS

Sections	Description of Change
AHRI System Matches	Updated.



Visit us at www.lennox.com

For the latest technical information, www.lennox.com

Contact us at 1-800-4-LENNOX

NOTE - Due to Lennox' ongoing commitment to quality, Specifications, Ratings and Dimensions subject to change without notice and without incurring liability. Improper installation, adjustment, alteration, service or maintenance can cause property damage or personal injury. Installation and service must be performed by a qualified installer and servicing agency.

©2013 Lennox Industries, Inc.



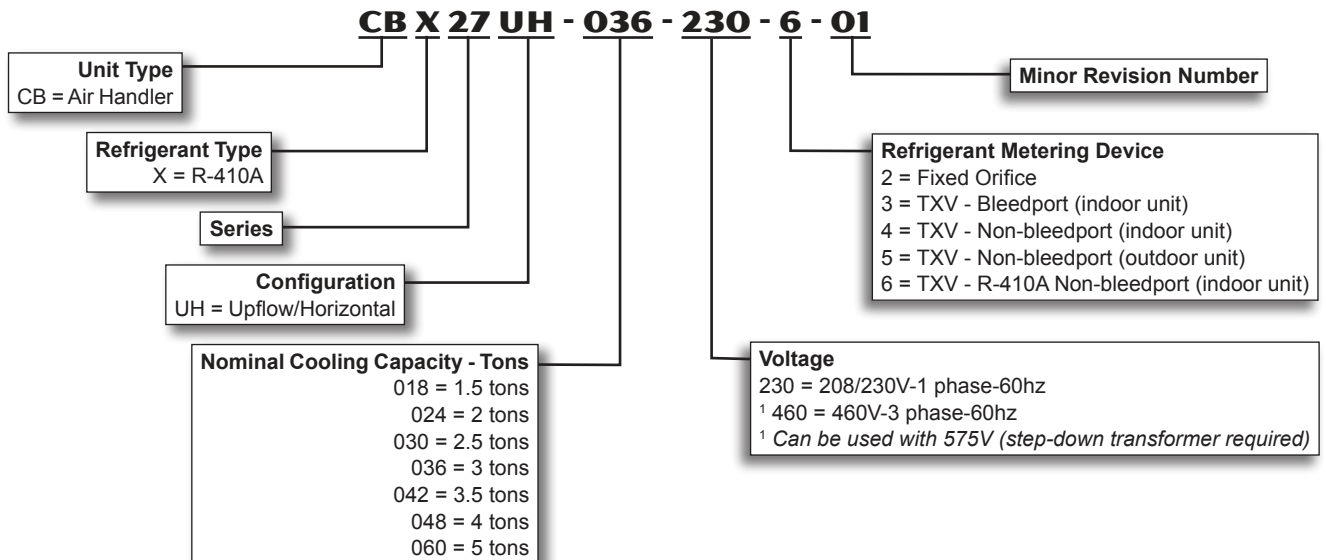
PRODUCT SPECIFICATIONS

Bulletin No. 210581
August 2015
Supersedes March 2015



Nominal Capacity - 1.5 to 5 Tons
Optional Electric Heat - 2.5 to 25 kW

MODEL NUMBER IDENTIFICATION



FEATURES

CONTENTS

Blower Data	8
Dimensions	21
Electrical Data.....	6
Electric Heat Data.....	10
Features.....	2
Installation Clearances With Electric Heat.....	5
Model Number Identification	1
Optional Accessories	6
Replacement Circuit Breakers.....	9
Specifications.....	6

WARRANTY

All covered components - five years in residential applications, one year in non-residential applications. Refer to Lennox Limited Warranty Certificate included with each unit for additional details.

APPROVALS

Tested with matching air conditioners and heat pump units in the Lennox Research Laboratory environmental test room in accordance with AHRI Standard 210/240.

Optional electric heaters are rated in accordance with US Department of Energy (DOE) test procedures and Federal Trade Commission (FTC) labeling regulations.

Blower performance data according to unit tests conducted in Lennox air test chamber.

Air handlers are UL Listed to US and Canadian safety standards and components within are bonded for grounding to meet safety standards for servicing required by CEC and NEC.

Air handler units are approved for installation in manufactured housing and mobile homes.

ISO 9001 Registered Manufacturing Quality System.

APPLICATIONS

1.5 to 5 ton nominal sizes.

Upflow or horizontal applications. Downflow applications with optional conversion kit.

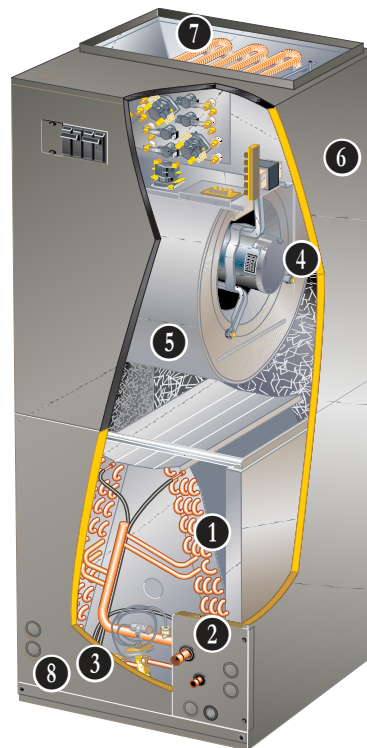
Applicable to expansion valve systems in cooling applications and check and expansion valve systems in heat pump applications.

Wide-range check and expansion valve is factory installed.

See bulletins in section Air Conditioners for cooling capacities.

See bulletins in section Heat Pump Outdoor Units for cooling and heating capacities.

Optional field installed electric heaters available in several sizes for additive heating capacity.



REFRIGERANT SYSTEM

- 1 Copper Tube/Enhanced Fin Indoor Coil**
Lennox designed and fabricated twin coils. Assembled in "A" configuration.
Provides extra large surface and contact area, excellent heat transfer and low air resistance for maximum efficiency.
Precise circuiting for uniform refrigerant distribution.
Precisely spaced ripple-edged aluminum fins fitted to durable seamless copper tubes.
Fins are strengthened to resist bending and are equipped with collars that grip tubing for maximum contact area.
Lanced fins provide maximum exposure of fin surface to air stream.
Long life copper tubing is easy to service.
Rifled tubing provides superior heat transfer.
Flared shoulder tubing joints and silver soldering provide tight, leakproof joints.
Coil thoroughly factory tested under high pressure to ensure leakproof construction.
- 2 Refrigerant Line Connections**
Suction (vapor) and liquid lines have sweat connections that extended outside of the cabinet for ease of connection.
See dimension drawings for locations.
- 3 Check and Expansion Valve Furnished**
For use with R-410A systems.
Wide range valve with Chatleff style fitting.
Factory installed on all models, internal to cabinet.



FEATURES

BLOWER

- 4 Programmable Multi-Speed Blower Motor**
Programmable high efficiency multi-speed blower motor. By maintaining constant torque output, blower motor can deliver more uniform (but not constant) airflow over the static pressure range.



Programmable multi-speed operation is achieved by the use of an ECM (Electronically Commutated Motor) motor.

Leadless blower motor features simple plug-in connections.

Choice of blower speeds is available. See Blower Data tables.

- 5** Blower speed change is easily accomplished by a simple wiring change.

Blower Assembly

Lennox designed and built, direct drive blower.

Each blower is statically and dynamically balanced as an assembly before installation in the unit.

Blower motor is resiliently mounted to blower assembly.

Blower slides out of cabinet for servicing.

6 CABINET

Constructed of heavy-gauge galvanized steel.

Completely insulated with thick fiberglass insulation.

Pre-painted steel cabinets have mildly textured enamel finish with primer coat on unpainted side of all panels.

Units are shipped in one piece but may be disassembled into two separate sections for ease of installation in tight applications. See dimension drawings.

Thick rubber gasket between sections of the two piece cabinets provides an air tight seal.

No external screw heads on sides of cabinet for tight installations without damage to walls or woodwork.

Removable panels provide complete service access.

Electrical inlets provided in sides and top of cabinet. See dimension drawings for locations.

Low Leakage Cabinet

All models have less than 2% air leakage and meet ANSI/ASHRAE Standard 193-2010 "Method of Test for Determining the Air Tightness of HVAC Equipment".

Upflow/Horizontal Capability (Optional Downflow)

Shipped for upflow and horizontal left-hand discharge.

May be field converted to horizontal right-hand air discharge by repositioning horizontal drain pan.

Optional downflow kit available for field conversion.

Dual Position Drain Pans

Drain pans designed for upflow, downflow or horizontal applications.

Deep, corrosion resistant plastic drain pans have dual pipe drains.

See dimension drawings.

Optional Accessories

Downflow Combustible Flooring Floor Base

Base is required for models with electric heat installed in downflow position on combustible floors.

Downflow Conversion Kit

Required for field conversion to downflow position. Kit consists of drip shields and 2 brackets for repositioning coil and drain pan. See Specifications table.

Horizontal Support Frame Kit

Provides support of unit in horizontal applications.

Consists of (2) 1 x 1-1/2 x 32-5/8 in. and (2) 1 x 3 x 53-7/8 in. painted heavy gauge cold rolled steel support channels with assembly and suspending holes.

Bolts and nuts furnished for field assembly.

Suspending rods must be field provided.

Side Return Unit Stand (Upflow Only)

Raises unit 16 in. above floor for side return air duct connection.

Eliminates need for wooden platform construction.

All aluminum construction.

Two adjustable frames fit -018/024 thru -060 models.

Wall Hanging Bracket Kit (Upflow Only)

Allows unit to be hung on wall at any height.

Consists of heavy-gauge steel support brackets (one for air handler, one for wall mount).

Screws furnished for fastening one bracket to unit.

Bolts for fastening one bracket to wall are field provided.

FEATURES

CONTROLS

Transformer and Blower Cooling Relay

24 volt transformer with in-line fuse and blower cooling relay furnished as standard.

Factory installed in the unit control box.

Terminal strip furnished.

Optional Accessories

ComfortSense® 7500 Touchscreen Thermostat

Electronic 7-day, universal, multi-stage, programmable, touchscreen thermostat.

4 Heat/2 Cool.

Auto-changeover.

Controls humidity during cooling mode.

Offers enhanced capabilities including humidification / dehumidification / dewpoint measurement and control, Humiditrol® control, and equipment maintenance reminders.

Easy-to-use, menu driven thermostat with a back-lit, LCD touchscreen.

Remote outdoor temperature sensor (furnished with outdoor unit) allows the thermostat to display outdoor temperature. Required in dual-fuel and *Humiditrol*® applications.

See the ComfortSense® 7500 Product Specifications bulletin in the Controls section for more information.



Dehumidification Relay Kit

Required with ComfortSense® thermostat.

Provides dehumidification mode when used in conjunction with ComfortSense™ 7500 thermostat.

Used with single- or two-stage heat pumps and air conditioners.

Thermostat

See Thermostat bulletins in Controls section and Lennox Price Book for a complete list of thermostats.

7 OPTIONAL ELECTRIC HEAT

Field install internal to unit cabinet.

Available in several voltages and kW sizes. See Electric Heat tables.

Helix wound nichrome heating elements exposed directly in air stream resulting in instant heat transfer, low element temperatures and long service life.

Each element equipped with accurately located limit control with fixed temperature off setting and automatic reset.

Supplemental thermal cutoff limit control, provides positive protection in case of excessive temperatures.

Thermal sequencer relay brings elements on and off line, in sequence and equal increments, with time delay between each.

Initiates and terminates blower operation.

Heating control relay(s) furnished as standard.

Control box and access cover constructed of heavy gauge galvanized steel.

Factory assembled with controls installed and wired.

Electric heat low voltage controls plug-in to air handler.

Circuit Breaker Models

ECB29-4CB, -5CB, -6CB, -8CB, -9CB, -10CB, -12.5CB, -15CB, -20CB, -25CB and -30CB (208/240V-1ph) and ECB29-15CB, -20CB and -25CB (208/240V-3ph) heaters are equipped with circuit breakers for overload and short circuit protection.

Factory wired and mounted on electric heat unit.

Current sensitive and temperature actuated.

Manual reset.

Circuit breakers qualify as disconnect means at unit in many areas, eliminate the need for field provided disconnect. Consult local electrical code in your area.

NOTE - 460V-3 phase air handlers can be used in 575V applications.

575V electric heaters are shipped with a 575V to 460V step-down transformer.

Optional Accessories

Circuit Breaker Cover Kit

Flexible plastic cover protects circuit breaker.

Recommended in areas with high humidity or unconditioned areas to prevent nuisance tripping.

Single-Point Power Source Control Box

Control Box may be used with optional electric heat when single power supply is connected to multi-circuit electric heat.

Field installs external to the unit cabinet on either side or top.

Constructed of heavy gauge steel, baked enamel finish, prepunched mounting holes, electrical inlet knockouts, and terminal strip.

Removable cover provides easy access.

Dimensions (H x W x D) - 7 x 7 x 4 in.

FEATURES

INDOOR AIR QUALITY

8 Air Filter

Tool-less access to filter area for quick and easy servicing.

Disposable frame type filter furnished and factory installed in rails in cabinet.

See Specifications tables for sizes.

Optional Accessories

Healthy Climate® Germicidal UVC Light



Germicidal lamp emits C-Band ultra-violet (UVC) energy at 253.7 nanometers, which is proven to be effective in reducing microbes such as viruses, bacteria, yeasts, and molds.

This process either destroys the organism or controls its ability to reproduce. UVC germicidal light greatly reduces the growth and proliferation of mold and other bioaerosols (bacteria and viruses) on illuminated surfaces (particularly coil and drain pan).

Surfaces must be cleaned prior to UVC light being installed.

Available in 24 volt and 110.230V-1ph models.

Air handlers have a factory provided knockout in the coil delta plate for mounting light within coil area.

Shielding baffle is required when installing light above a non-UVC resistant component, such as a filter.

Baffle must be ordered separately.

INSTALLATION CLEARANCES WITH ELECTRIC HEAT

Cabinet	0 inch (0 mm)
To Plenum	1 inch (25 mm)
To Outlet Duct within 3 feet (914 mm)	1 inch (25 mm)
Floor	See Note #1
Service / Maintenance	See Note #2

¹ Units installed on combustible floors in the downflow position with electric heat require optional downflow combustible flooring base.

² Front service access - 24 inches (610 mm) minimum.

NOTE - If cabinet depth is more than 24 inches (610 mm), allow a minimum of the cabinet depth plus 2 inches (51 mm).

SPECIFICATIONS

General Data		Model Number	CBX27UH-018	CBX27UH-024	CBX27UH-030	CBX27UH-036
	Nominal tonnage		1.5	2	2.5	3
Connections	Suction (vapor) line (o.d.) - in. sweat		3/4	3/4	3/4	3/4
	Liquid line (o.d.) - in. sweat		3/8	3/8	3/8	3/8
	Condensate - in. fpt		(2) 3/4	(2) 3/4	(2) 3/4	(2) 3/4
Indoor Coil	Net face area - ft. ²		4.44	4.44	5.0	5.0
	Tube outside diameter - in.		3/8	3/8	3/8	3/8
	Number of rows		3	3	3	3
	Fins per inch		12	12	12	12
Blower	Wheel nominal diameter x width - in.		10 x 8	10 x 8	11 x 8	11 x 8
	Blower motor output - hp		1/2	1/2	1/2	1/2
¹ Filters	Size of filter - in.		20 x 20 x 1	20 x 20 x 1	20 x 20 x 1	20 x 20 x 1
Shipping Data -1 package - lbs.			148	148	159	159

ELECTRICAL DATA

	Voltage - 1 phase - 60hz	208/230V-1ph	208/230V-1ph	208/230V-1ph	208/230V-1ph
	Voltage - 3 phase - 60hz	---	---	---	³ 460V-1ph
² Maximum overcurrent protection (unit only) - All voltages		15	15	15	15
Minimum circuit ampacity (unit only) - 208/230V		5	5	5	5
Blower Motor Full Load Amps - 208/230V		4.1	4.1	4.1	4.1
Minimum circuit ampacity (unit only) - 460V		---	---	---	2.6
Blower Motor Full Load Amps - 460V		---	---	---	2.1

OPTIONAL ACCESSORIES - ORDER SEPARATELY

ComfortSense® 7500 Thermostat		13H14	13H14	13H14	13H14
Remote Outdoor Temperature Sensor (for ComfortSense 7500)		X2658	X2658	X2658	X2658
Dehumidification Relay Kit		26W62	26W62	26W62	26W62
Downflow Combustible Flooring Base		44K15	44K15	44K15	44K15
Downflow Conversion Kit		83M57	83M57	83M57	83M57
Electric Heat - See Electric Heat Data tables		2.5 to 20 kW			
Electric Heat Circuit Breaker Cover Kit		82W01	82W01	82W01	82W01
Healthy Climate Germicidal Light	UVC-24V (24V)	X9423	X9423	X9423	X9423
	Shielding Baffle (required)	Y2120	Y2120	Y2120	Y2120
	UVC-41W-S (110/230v-1 ph)	X9424	X9424	X9424	X9424
	Shielding Baffle (required)	X9900	X9900	X9900	X9900
Horizontal Support Frame Kit		56J18	56J18	56J18	56J18
Side Return Unit Stand (Upflow Only)		45K32	45K32	45K32	45K32
Single Point Power Source Control Box		21H39	21H39	21H39	21H39
Wall Hanging Bracket Kit (Upflow Only)		45K30	45K30	45K30	45K30

¹ Disposable frame type filter.

² HACR type circuit breaker or fuse.

³ Blower motor is 460V - 1 phase. Optional electric heat is 460V - 3 phase.

SPECIFICATIONS

General Data		Model Number	CBX27UH-042	CBX27UH-048	CBX27UH-060
		Nominal tonnage	3.5	4	5
Connections	Suction (vapor) line (o.d.) - in. sweat		7/8	7/8	7/8
	Liquid line (o.d.) - in. sweat		3/8	3/8	3/8
	Condensate - in. fpt		(2) 3/4	(2) 3/4	(2) 3/4
Indoor Coil	Net face area - ft. ²		7.22	7.22	8.33
	Tube outside diameter - in.		3/8	3/8	3/8
	Number of rows		3	3	3
	Fins per inch		12	12	12
Blower	Wheel nominal diameter x width - in.		12 x 9	12 x 9	12 x 9
	Blower motor output - hp		1	1	1
¹ Filters	Size of filter - in.		20 x 24 x 1	20 x 24 x 1	20 x 24 x 1
Shipping Data -1 package lbs.			194	194	216

ELECTRICAL DATA

Voltage - 1 phase - 60hz		208/230V-1ph	208/230V- 1ph	208/230V- 1ph
Voltage - 3 phase - 60hz		- - -	³ 460V-1ph	³ 460V-1ph
² Maximum overcurrent protection (unit only) - All voltages		15	15	15
Minimum circuit ampacity (unit only) - 208/230V		10	10	10
Blower Motor Full Load Amps - 208/230V		7.6	7.6	7.6
Minimum circuit ampacity (unit only) - 460V		- - -	5	5
Blower Motor Full Load Amps - 460V		- - -	4	4

OPTIONAL ACCESSORIES - ORDER SEPARATELY

ComfortSense® 7500 Thermostat		13H14	13H14	13H14
Remote Outdoor Temperature Sensor (for ComfortSense 7500)		X2658	X2658	X2658
Dehumidification Relay Kit		26W62	26W62	26W62
Downflow Combustible Flooring Base		44K15	44K15	44K15
Downflow Conversion Kit		83M57	83M57	83M57
Electric Heat - See Electric Heat Data tables		5 to 25 kW		
Electric Heat Circuit Breaker Cover Kit		82W01	82W01	82W01
Healthy Climate Germicidal Light	UVC-24V (24V)	X9423	X9423	X9423
	Shielding Baffle (required)	Y2120	Y2120	Y2120
	UVC-41W-S (110/230v-1 ph)	X9424	X9424	X9424
	Shielding Baffle (required)	X9900	X9900	X9900
Horizontal Support Frame Kit		56J18	56J18	56J18
Side Return Unit Stand (Upflow Only)		45K32	45K32	45K32
Single Point Power Source Control Box		21H39	21H39	21H39
Wall Hanging Bracket Kit (Upflow Only)		45K30	45K30	45K30

¹ Disposable frame type filter.

² HACR type circuit breaker or fuse.

³ Blower motor is 460V - 1 phase. Optional electric heat is 460V - 3 phase.

BLOWER DATA

CBX27UH-018 BLOWER PERFORMANCE

External Static Pressure in. w.g.	Air Volume and Motor Watts at 208V										Air Volume and Motor Watts at 230V									
	Tap 1		Tap 2		Tap 3		Tap 4		Tap 5		Tap 1		Tap 2		Tap 3		Tap 4		Tap 5	
	cfm	Watts	cfm	Watts	cfm	Watts	cfm	Watts	cfm	Watts	cfm	Watts	cfm	Watts	cfm	Watts	cfm	Watts	cfm	Watts
.00	815	80	810	77	835	86	855	89	1010	137	820	82	815	77	835	84	850	91	1010	140
.10	720	71	700	68	735	76	790	89	980	142	710	71	715	71	735	77	795	89	975	144
.20	580	59	560	58	665	76	755	99	950	153	570	59	580	60	660	77	755	99	950	154
.30	500	63	450	55	610	78	710	101	905	157	505	64	440	58	615	80	715	102	910	160
.40	400	65	350	59	580	87	685	111	870	166	415	67	355	60	575	89	680	112	875	170
.50	365	74	290	60	505	96	640	114	835	176	355	77	300	64	510	99	630	118	850	179
.60	315	75	280	68	445	100	580	124	800	179	320	77	270	71	450	102	575	129	805	183
.70	N/A	N/A	210	71	390	102	515	128	755	187	N/A	N/A	220	72	395	106	525	137	780	192
.80	N/A	N/A	170	71	355	109	470	136	710	194	N/A	N/A	175	76	365	112	485	144	725	200

CBX27UH-024 BLOWER PERFORMANCE

External Static Pressure in. w.g.	Air Volume and Motor Watts at 208V										Air Volume and Motor Watts at 230V									
	Tap 1		Tap 2		Tap 3		Tap 4		Tap 5		Tap 1		Tap 2		Tap 3		Tap 4		Tap 5	
	cfm	Watts	cfm	Watts	cfm	Watts	cfm	Watts	cfm	Watts	cfm	Watts	cfm	Watts	cfm	Watts	cfm	Watts	cfm	Watts
.00	885	89	885	89	930	97	1035	130	1185	184	890	91	895	90	920	99	1040	130	1190	189
.10	755	77	760	77	850	98	995	139	1140	193	785	82	770	78	855	100	1000	142	1145	200
.20	665	73	670	72	820	106	970	148	1100	203	675	76	670	76	820	111	960	152	1110	207
.30	605	77	600	77	775	112	920	154	1070	213	605	80	605	80	780	114	930	156	1085	219
.40	560	84	515	88	725	121	885	165	1025	219	570	88	555	88	745	123	890	166	1035	225
.50	445	95	445	95	675	124	835	171	1000	228	465	99	465	99	670	131	850	172	1010	235
.60	400	98	395	96	570	137	810	179	960	232	405	101	405	101	595	142	815	183	975	246
.70	N/A	N/A	345	101	520	143	705	193	920	242	N/A	N/A	350	106	530	151	710	197	935	248
.80	N/A	N/A	320	106	460	148	625	201	835	254	N/A	N/A	330	112	485	155	660	207	895	260

CBX27UH-030 BLOWER PERFORMANCE

External Static Pressure in. w.g.	Air Volume and Motor Watts at 208V										Air Volume and Motor Watts at 230V									
	Tap 1		Tap 2		Tap 3		Tap 4		Tap 5		Tap 1		Tap 2		Tap 3		Tap 4		Tap 5	
	cfm	Watts	cfm	Watts	cfm	Watts	cfm	Watts	cfm	Watts	cfm	Watts	cfm	Watts	cfm	Watts	cfm	Watts	cfm	Watts
.00	1130	128	1175	142	1230	158	1270	177	1345	208	1145	130	1180	142	1235	161	1280	179	1365	212
.10	1045	118	1065	126	1140	151	1240	183	1345	219	1030	118	1085	130	1155	154	1245	183	1345	223
.20	910	103	950	113	1105	160	1205	193	1305	231	915	105	955	116	1120	164	1205	195	1310	237
.30	730	89	870	117	1050	169	1165	202	1250	238	755	91	885	118	1060	171	1170	207	1265	242
.40	605	93	825	120	1020	176	1115	209	1205	248	655	92	830	124	1030	180	1125	213	1230	254
.50	540	101	725	136	980	181	1085	218	1180	257	550	102	745	136	985	184	1090	223	1195	265
.60	470	106	670	145	930	191	1035	224	1140	262	475	107	670	149	945	195	1050	230	1145	270
.70	N/A	N/A	605	154	835	207	995	235	1105	273	N/A	N/A	620	159	860	213	1005	242	1110	280
.80	N/A	N/A	545	159	785	217	950	245	1055	284	N/A	N/A	560	163	805	223	915	258	1050	295

CBX27UH-036 BLOWER PERFORMANCE

External Static Pressure in. w.g.	Air Volume and Motor Watts at 208V										Air Volume and Motor Watts at 230V / 460V									
	Tap 1		Tap 2		Tap 3		Tap 4		Tap 5		Tap 1		Tap 2		Tap 3		Tap 4		Tap 5	
	cfm	Watts	cfm	Watts	cfm	Watts	cfm	Watts	cfm	Watts	cfm	Watts	cfm	Watts	cfm	Watts	cfm	Watts	cfm	Watts
.00	1185	136	1225	149	1320	184	1430	234	1545	293	1180	139	1230	152	1330	191	1440	238	1555	299
.10	1070	125	1125	137	1280	196	1395	244	1515	303	1085	129	1125	141	1295	201	1405	251	1520	313
.20	960	113	1010	130	1240	201	1360	255	1475	314	955	114	1025	132	1260	213	1365	264	1485	325
.30	815	101	970	136	1195	214	1310	265	1430	322	805	105	975	142	1210	219	1330	275	1445	337
.40	750	106	915	148	1155	225	1275	273	1385	334	770	114	930	153	1170	231	1285	283	1405	345
.50	670	119	870	153	1110	231	1240	284	1345	345	670	128	870	159	1120	243	1250	295	1365	357
.60	605	130	825	163	1060	242	1190	290	1315	355	605	134	810	173	1080	249	1210	307	1330	367
.70	555	137	725	177	1025	251	1145	301	1270	359	565	142	725	185	1040	260	1160	313	1285	378
.80	515	142	670	182	970	262	1100	312	1225	369	525	146	675	195	980	276	1120	324	1245	391

BLOWER DATA

CBX27UH-042 BLOWER PERFORMANCE

External Static Pressure in. w.g.	Air Volume and Motor Watts at 208V										Air Volume and Motor Watts at 230V									
	Tap 1		Tap 2		Tap 3		Tap 4		Tap 5		Tap 1		Tap 2		Tap 3		Tap 4		Tap 5	
	cfm	Watts	cfm	Watts	cfm	Watts	cfm	Watts	cfm	Watts	cfm	Watts	cfm	Watts	cfm	Watts	cfm	Watts	cfm	Watts
.00	1475	198	1530	218	1610	251	1705	295	1805	349	1475	200	1530	222	1615	254	1705	300	1815	350
.10	1370	183	1420	207	1545	251	1660	307	1780	364	1360	184	1435	207	1545	255	1665	310	1775	368
.20	1255	172	1305	189	1515	266	1635	322	1750	378	1245	172	1305	190	1515	269	1630	326	1750	384
.30	1090	153	1250	200	1470	278	1600	336	1705	390	1090	155	1255	203	1470	278	1605	343	1715	395
.40	1010	164	1190	210	1430	295	1560	346	1685	407	1020	165	1200	213	1420	300	1565	351	1680	408
.50	955	177	1145	225	1385	310	1510	373	1640	428	955	178	1150	229	1385	314	1520	373	1650	430
.60	885	183	1090	242	1330	319	1475	384	1590	443	915	183	1095	243	1330	324	1480	390	1595	453
.70	N/A	N/A	1005	248	1255	341	1430	401	1565	457	N/A	N/A	1000	254	1265	344	1440	408	1565	468
.80	N/A	N/A	990	260	1200	355	1365	419	1510	473	N/A	N/A	1000	255	1200	362	1375	429	1515	481

CBX27UH-048 BLOWER PERFORMANCE

External Static Pressure in. w.g.	Air Volume and Motor Watts at 208V										Air Volume and Motor Watts at 230V / 460V									
	Tap 1		Tap 2		Tap 3		Tap 4		Tap 5		Tap 1		Tap 2		Tap 3		Tap 4		Tap 5	
	cfm	Watts	cfm	Watts	cfm	Watts	cfm	Watts	cfm	Watts	cfm	Watts	cfm	Watts	cfm	Watts	cfm	Watts	cfm	Watts
.00	1440	200	1515	233	1670	304	1690	313	1850	413	1440	202	1525	237	1680	309	1700	319	1860	422
.10	1370	188	1455	224	1650	318	1670	329	1825	421	1370	189	1465	224	1665	324	1685	331	1840	431
.20	1260	173	1425	231	1635	327	1660	337	1825	436	1255	177	1425	235	1650	331	1675	342	1840	443
.30	1120	166	1380	242	1605	343	1630	351	1800	447	1125	167	1380	243	1625	349	1645	358	1815	461
.40	1055	172	1335	260	1565	352	1595	367	1770	462	1055	177	1335	262	1585	358	1605	373	1780	471
.50	960	190	1295	273	1530	372	1555	377	1735	479	970	194	1290	278	1535	378	1570	385	1745	490
.60	895	195	1230	285	1490	389	1510	401	1695	489	890	201	1230	296	1500	396	1525	408	1720	506
.70	N/A	N/A	1145	304	1445	407	1470	418	1650	513	N/A	N/A	1140	308	1455	415	1490	425	1665	533
.80	N/A	N/A	1095	317	1385	416	1430	432	1605	530	N/A	N/A	1075	325	1405	435	1430	445	1630	551

CBX27UH-060 BLOWER PERFORMANCE

External Static Pressure in. w.g.	Air Volume and Motor Watts at 208V										Air Volume and Motor Watts at 230V / 460V									
	Tap 1		Tap 2		Tap 3		Tap 4		Tap 5		Tap 1		Tap 2		Tap 3		Tap 4		Tap 5	
	cfm	Watts	cfm	Watts	cfm	Watts	cfm	Watts	cfm	Watts	cfm	Watts	cfm	Watts	cfm	Watts	cfm	Watts	cfm	Watts
.00	1490	207	1765	331	1970	455	2010	494	2365	799	1505	212	1775	337	1980	461	2025	497	2365	822
.10	1395	194	1740	344	1930	466	1985	507	2328	810	1400	198	1745	352	1950	475	1990	514	2345	839
.20	1320	192	1700	354	1900	480	1955	522	2300	827	1325	196	1705	361	1910	490	1965	532	2310	850
.30	1275	206	1670	367	1875	487	1915	531	2265	842	1270	211	1675	374	1890	507	1930	540	2285	863
.40	1220	214	1620	378	1825	504	1890	544	2235	850	1230	224	1635	390	1840	516	1905	556	2255	882
.50	1170	226	1575	395	1795	519	1850	555	2205	861	1185	231	1590	402	1815	532	1875	573	2225	891
.60	1135	241	1535	409	1750	529	1810	569	2175	872	1140	239	1545	419	1785	550	1825	585	2190	908
.70	N/A	N/A	1490	417	1720	543	1775	585	2135	885	N/A	N/A	1510	426	1735	562	1795	602	2155	922
.80	N/A	N/A	1470	429	1685	557	1730	592	2085	893	N/A	N/A	1480	442	1700	574	1760	619	2120	940

REPLACEMENT CIRCUIT BREAKERS

Voltage	Description	Catalog No.
208/240V - 1 Phase	25 amp, 2 pole	41K13
	30 amp, 2 pole	17K70
	35 amp, 2 pole	72K07
	40 amp, 2 pole	49K14
	45 amp, 2 pole	17K71
	50 amp, 2 pole	41K12
	60 amp, 2 pole	17K72
208/240V - 3 Phase	30 amp, 3 pole	64W47
	35 amp, 3 pole	41K14
	40 amp, 3 pole	41K16
	45 amp, 3 pole	18M86
	50 amp, 3 pole	41K15
	60 amp, 3 pole	41K17

ELECTRIC HEAT DATA - CBX27UH-018

Model Number	No. of Stages	Input			² Blower Motor Full Load Amps	³ Minimum Circuit Ampacity	⁵ Maximum Overcurrent Protection	
		Volts	kW	¹ Btuh				
SINGLE PHASE								
2.5 kW 4 lbs.	ECB29-2.5 (12L27) Terminal Block	1	208	1.9	6,400	4.1	16	20
			220	2.1	7,200	4.1	18	20
			230	2.3	7,800	4.1	18	20
			240	2.5	8,500	4.1	18	20
4 kW 4 lbs.	ECB29-4 (12L30) Terminal Block ECB29-4CB (12L45) 30A Circuit breaker	1	208	3.0	10,250	4.1	23	⁴ 25
			220	3.4	11,450	4.1	26	30
			230	3.7	12,550	4.1	26	30
			240	4.0	13,650	4.1	26	30
5 kW 4 lbs.	ECB29-5 (12L35) Terminal Block ECB29-5CB (12L47) 30A Circuit breaker	1	208	3.8	12,800	4.1	28	30
			220	4.2	14,300	4.1	31	⁴ 35
			230	4.6	15,700	4.1	31	⁴ 35
			240	5.0	17,100	4.1	31	⁴ 35
6 kW 4 lbs.	ECB29-6 (12L44) Terminal Block ECB29-6CB (12L49) 35A Circuit breaker	1	208	4.5	15,400	4.1	32	35
			220	5.0	17,100	4.1	36	⁴ 40
			230	5.5	18,800	4.1	36	⁴ 40
			240	6.0	20,500	4.1	36	⁴ 40
8 kW 5 lbs.	ECB29-8 (12L50) Terminal Block ECB29-8CB (12L52) 45A Circuit breaker	1	208	6.0	20,500	4.1	41	45
			220	6.7	22,900	4.1	47	⁴ 50
			230	7.3	25,100	4.1	47	⁴ 50
			240	8.0	27,300	4.1	47	⁴ 50
9 kW 5 lbs.	ECB29-9CB (12L53) 60A Circuit breaker	2	208	6.8	23,100	4.1	46	⁴ 50
			220	7.6	25,800	4.1	52	60
			230	8.3	28,200	4.1	52	60
			240	9.0	30,700	4.1	52	60
10 kW 6 lbs.	ECB29-10 (12L51) Terminal Block ECB29-10CB (12L54) 60A Circuit breaker	2	208	7.5	25,600	4.1	50	⁴ 50
			220	8.4	28,700	4.1	57	60
			230	9.2	31,400	4.1	57	60
			240	10.0	34,100	4.1	57	60

NOTE - Circuit 1 Minimum Circuit Ampacity includes the Blower Motor Full Load Amps.

¹ Electric heater capacity only - does not include additional blower motor heat capacity.

² Amps shown are for blower motor only.

³ Refer to National or Canadian Electrical Code manual to determine wire, fuse and disconnect size requirements. Use wires suitable for at least 167°F.

⁴ Bold text indicates that the circuit breaker on "CB" circuit breaker models must be replaced with size noted. See Table on Page 9.

⁵ HACR type circuit breaker or fuse.

ELECTRIC HEAT DATA - CBX27UH-024

Model Number	No. of Stages	Input			² Blower Motor Full Load Amps	³ Minimum Circuit Ampacity	⁵ Maximum Overcurrent Protection	
		Volts	kW	¹ Btuh				
SINGLE PHASE								
4 kW 4 lbs.	ECB29-4 (12L30) Terminal Block ECB29-4CB (12L45) 30A Circuit breaker	1	208	3.0	10,250	4.1	23	⁴ 25
			220	3.4	11,450	4.1	26	30
			230	3.7	12,550	4.1	26	30
			240	4.0	13,650	4.1	26	30
5 kW 4 lbs.	ECB29-5 (12L35) Terminal Block ECB29-5CB (12L47) 30A Circuit breaker	1	208	3.8	12,800	4.1	28	30
			220	4.2	14,300	4.1	31	⁴ 35
			230	4.6	15,700	4.1	31	⁴ 35
			240	5.0	17,100	4.1	31	⁴ 35
6 kW 4 lbs.	ECB29-6 (12L44) Terminal Block ECB29-6CB (12L49) 35A Circuit breaker	1	208	4.5	15,400	4.1	32	35
			220	5.0	17,100	4.1	36	⁴ 40
			230	5.5	18,800	4.1	36	⁴ 40
			240	6.0	20,500	4.1	36	⁴ 40
8 kW 5 lbs.	ECB29-8 (12L50) Terminal Block ECB29-8CB (12L52) 45A Circuit breaker	1	208	6.0	20,500	4.1	41	45
			220	6.7	22,900	4.1	47	⁴ 50
			230	7.3	25,100	4.1	47	⁴ 50
			240	8.0	27,300	4.1	47	⁴ 50
9 kW 5 lbs.	ECB29-9CB (12L53) 60A Circuit breaker	2	208	6.8	23,100	4.1	46	⁴ 50
			220	7.6	25,800	4.1	52	60
			230	8.3	28,200	4.1	52	60
			240	9.0	30,700	4.1	52	60
10 kW 6 lbs.	ECB29-10 (12L51) Terminal Block ECB29-10CB (12L54) 60A Circuit breaker	2	208	7.5	25,600	4.1	50	⁴ 50
			220	8.4	28,700	4.1	57	60
			230	9.2	31,400	4.1	57	60
			240	10.0	34,100	4.1	57	60

NOTE - Circuit 1 Minimum Circuit Ampacity includes the Blower Motor Full Load Amps.

¹ Electric heater capacity only - does not include additional blower motor heat capacity.

² Amps shown are for blower motor only.

³ Refer to National or Canadian Electrical Code manual to determine wire, fuse and disconnect size requirements. Use wires suitable for at least 167°F.

⁴ Bold text indicates that the circuit breaker on "CB" circuit breaker models must be replaced with size noted. See Table on Page 9.

⁵ HACR type circuit breaker or fuse.

ELECTRIC HEAT DATA - CBX27UH-030

Model Number	No. of Stages	Input			² Blower Motor Full Load Amps	³ Minimum Circuit Ampacity		⁵ Maximum Overcurrent Protection		Single Point Power Source		
		Volts	kW	¹ Btuh		Ckt 1	Ckt 2	Ckt 1	Ckt 2	³ Minimum Circuit Ampacity	⁵ Maximum Overcurrent Protection	
SINGLE PHASE												
4 kW 4 lbs.	ECB29-4 (12L30) Terminal Block ECB29-4CB (12L45) 30A Circuit breaker	1	208	3.0	10,250	4.1	23	---	⁴ 25	---	---	---
			220	3.4	11,450	4.1	26	---	30	---	---	---
			230	3.7	12,550	4.1	26	---	30	---	---	---
			240	4.0	13,650	4.1	26	---	30	---	---	---
5 kW 4 lbs.	ECB29-5 (12L35) Terminal Block ECB29-5CB (12L47) 30A Circuit breaker	1	208	3.8	12,800	4.1	28	---	30	---	---	---
			220	4.2	14,300	4.1	31	---	⁴ 35	---	---	---
			230	4.6	15,700	4.1	31	---	⁴ 35	---	---	---
			240	5.0	17,100	4.1	31	---	⁴ 35	---	---	---
6 kW 4 lbs.	ECB29-6 (12L44) Terminal Block ECB29-6CB (12L49) 35A Circuit breaker	1	208	4.5	15,400	4.1	32	---	35	---	---	---
			220	5.0	17,100	4.1	36	---	⁴ 40	---	---	---
			230	5.5	18,800	4.1	36	---	⁴ 40	---	---	---
			240	6.0	20,500	4.1	36	---	⁴ 40	---	---	---
8 kW 5 lbs.	ECB29-8 (12L50) Terminal Block ECB29-8CB (12L52) 45A Circuit breaker	1	208	6.0	20,500	4.1	41	---	45	---	---	---
			220	6.7	22,900	4.1	47	---	⁴ 50	---	---	---
			230	7.3	25,100	4.1	47	---	⁴ 50	---	---	---
			240	8.0	27,300	4.1	47	---	⁴ 50	---	---	---
9 kW 5 lbs.	ECB29-9CB (12L53) 60A Circuit breaker 60A Circuit breaker	2	208	6.8	23,100	4.1	46	---	⁴ 50	---	---	---
			220	7.6	25,800	4.1	52	---	60	---	---	---
			230	8.3	28,200	4.1	52	---	60	---	---	---
			240	9.0	30,700	4.1	52	---	60	---	---	---
10 kW 6 lbs.	ECB29-10 (12L51) Terminal Block ECB29-10CB (12L54) 60A Circuit breaker	2	208	7.5	25,600	4.1	50	---	⁴ 50	---	---	---
			220	8.4	28,700	4.1	57	---	60	---	---	---
			230	9.2	31,400	4.1	57	---	60	---	---	---
			240	10.0	34,100	4.1	57	---	60	---	---	---
12.5 kW 10 lbs.	ECB29-12.5CB (12L55) (1) 25A Circuit breaker & (1) 50A Circuit breaker	2	208	9.4	32,000	4.1	24	38	25	⁴ 40	62	70
			220	10.5	35,800	4.1	27	43	⁴ 30	⁴ 45	70	70
			230	11.5	39,200	4.1	27	43	⁴ 30	⁴ 45	70	70
			240	12.5	42,600	4.1	27	43	⁴ 30	⁴ 45	70	70
15 kW 12 lbs.	ECB29-15CB (12L56) (1) 30A Circuit breaker & (1) 60A Circuit Breaker	2	208	11.3	38,400	4.1	28	45	30	⁴ 45	73	80
			220	12.6	43,000	4.1	31	52	⁴ 35	60	83	90
			230	13.8	47,000	4.1	31	52	⁴ 35	60	83	90
			240	15.0	51,200	4.1	31	52	⁴ 35	60	83	90
THREE PHASE												
8 kW 5 lbs.	ECB29-8 (12L61) Terminal Block	1	208	6.0	20,500	4.1	26	---	30	---	---	---
			220	6.7	22,900	4.1	29	---	30	---	---	---
			230	7.3	25,100	4.1	29	---	30	---	---	---
			240	8.0	27,300	4.1	29	---	30	---	---	---
10 kW 6 lbs.	ECB29-10 (12L62) Terminal Block	1	208	7.5	25,600	4.1	31	---	35	---	---	---
			220	8.4	28,700	4.1	35	---	35	---	---	---
			230	9.2	31,400	4.1	35	---	35	---	---	---
			240	10.0	34,100	4.1	35	---	35	---	---	---
15 kW 12 lbs.	ECB29-15CB (12L63) (1) 50A Circuit breaker	1	208	11.3	38,400	4.1	44	---	45	---	---	---
			220	12.6	43,000	4.1	50	---	50	---	---	---
			230	13.5	47,000	4.1	50	---	50	---	---	---
			240	15.0	51,200	4.1	50	---	50	---	---	---

NOTE - Circuit 1 Minimum Circuit Ampacity includes the Blower Motor Full Load Amps.

¹ Electric heater capacity only - does not include additional blower motor heat capacity.

² Amps shown are for blower motor only.

³ Refer to National or Canadian Electrical Code manual to determine wire, fuse and disconnect size requirements. Use wires suitable for at least 167°F.

⁴ Bold text indicates that the circuit breaker on "CB" circuit breaker models must be replaced with size noted. See Table on Page 9.

⁵ HACR type circuit breaker or fuse.

ELECTRIC HEAT DATA - CBX27UH-036

Model Number	No. of Stages	Input			² Blower Motor Full Load Amps	³ Minimum Circuit Ampacity		⁵ Maximum Overcurrent Protection		Single Point Power Source		
		Volts	kW	¹ Btuh		Ckt 1	Ckt 2	Ckt 1	Ckt 2	³ Minimum Circuit Ampacity	⁵ Maximum Overcurrent Protection	
SINGLE PHASE												
4 kW 4 lbs.	ECB29-4 (12L30) Terminal Block ECB29-4CB (12L45) 30A Circuit breaker	1	208	3.0	10,250	4.1	23	---	⁴ 25	---	---	---
			220	3.4	11,450	4.1	26	---	30	---	---	---
			230	3.7	12,550	4.1	26	---	30	---	---	---
			240	4.0	13,650	4.1	26	---	30	---	---	---
5 kW 4 lbs.	ECB29-5 (12L35) Terminal Block ECB29-5CB (12L47) 30A Circuit breaker	1	208	3.8	12,800	4.1	28	---	30	---	---	---
			220	4.2	14,300	4.1	31	---	⁴ 35	---	---	---
			230	4.6	15,700	4.1	31	---	⁴ 35	---	---	---
			240	5.0	17,100	4.1	31	---	⁴ 35	---	---	---
6 kW 4 lbs.	ECB29-6 (12L44) Terminal Block ECB29-6CB (12L49) 35A Circuit breaker	1	208	4.5	15,400	4.1	32	---	35	---	---	---
			220	5.0	17,100	4.1	36	---	⁴ 40	---	---	---
			230	5.5	18,800	4.1	36	---	⁴ 40	---	---	---
			240	6.0	20,500	4.1	36	---	⁴ 40	---	---	---
8 kW 5 lbs.	ECB29-8 (12L50) Terminal Block ECB29-8CB (12L52) 45A Circuit breaker	1	208	6.0	20,500	4.1	41	---	45	---	---	---
			220	6.7	22,900	4.1	47	---	⁴ 50	---	---	---
			230	7.3	25,100	4.1	47	---	⁴ 50	---	---	---
			240	8.0	27,300	4.1	47	---	⁴ 50	---	---	---
9 kW 5 lbs.	ECB29-9CB (12L53) 60A Circuit breaker	2	208	6.8	23,100	4.1	46	---	⁴ 50	---	---	---
			220	7.6	25,800	4.1	52	---	60	---	---	---
			230	8.3	28,200	4.1	52	---	60	---	---	---
			240	9.0	30,700	4.1	52	---	60	---	---	---
10 kW 6 lbs.	ECB29-10 (12L51) Terminal Block ECB29-10CB (12L54) 60A Circuit breaker	2	208	7.5	25,600	4.1	50	---	⁴ 50	---	---	---
			220	8.4	28,700	4.1	57	---	60	---	---	---
			230	9.2	31,400	4.1	57	---	60	---	---	---
			240	10.0	34,100	4.1	57	---	60	---	---	---
12.5 kW 10 lbs.	ECB29-12.5CB (12L55) (1) 25A Circuit breaker and (1) 50A Circuit breaker	2	208	9.4	32,000	4.1	24	38	25	⁴ 40	62	70
			220	10.5	35,800	4.1	27	43	⁴ 30	⁴ 45	70	70
			230	11.5	39,200	4.1	27	43	⁴ 30	⁴ 45	70	70
			240	12.5	42,600	4.1	27	43	⁴ 30	⁴ 45	70	70
15 kW 12 lbs.	ECB29-15CB (12L56) (1) 30A Circuit breaker and (1) 60A Circuit Breaker	2	208	11.3	38,400	4.1	28	45	30	⁴ 45	73	80
			220	12.6	43,000	4.1	31	52	⁴ 35	60	83	90
			230	13.8	47,000	4.1	31	52	⁴ 35	60	83	90
			240	15.0	51,200	4.1	31	52	⁴ 35	60	83	90
20 kW 19 lbs.	ECB29-20CB (12L58) (1) 50A Circuit breaker and (1) 60A Circuit Breaker	2	208	15.0	51,200	4.1	46	50	50	⁴ 50	96	100
			220	16.8	57,300	4.1	52	57	⁴ 60	60	109	125
			230	18.4	62,700	4.1	52	57	⁴ 60	60	109	125
			240	20.0	68,200	4.1	52	57	⁴ 60	60	109	125

NOTE - Circuit 1 Minimum Circuit Ampacity includes the Blower Motor Full Load Amps.

¹ Electric heater capacity only - does not include additional blower motor heat capacity.

² Amps shown are for blower motor only.

³ Refer to National or Canadian Electrical Code manual to determine wire, fuse and disconnect size requirements. Use wires suitable for at least 167°F.

⁴ Bold text indicates that the circuit breaker on "CB" circuit breaker models must be replaced with size noted. See Table on Page 9.

⁵ HACR type circuit breaker or fuse.

ELECTRIC HEAT DATA - CBX27UH-036

Model Number	No. of Stages	Input			² Blower Motor Full Load Amps	³ Minimum Circuit Ampacity		⁵ Maximum Overcurrent Protection		Single Point Power Source		
		Volts	kW	¹ Btuh		Ckt 1	Ckt 2	Ckt 1	Ckt 2	³ Minimum Circuit Ampacity	⁵ Maximum Overcurrent Protection	
THREE PHASE												
8 kW 5 lbs. ECB29-8 (12L61) Terminal Block	1	208	6.0	20,500	4.1	26	---	30	---	---	---	
		220	6.7	22,900	4.1	29	---	30	---	---	---	
		230	7.3	25,100	4.1	29	---	30	---	---	---	
		240	8.0	27,300	4.1	29	---	30	---	---	---	
10 kW 6 lbs. ECB29-10 (12L62) Terminal Block	1	208	7.5	25,600	4.1	31	---	35	---	---	---	
		220	8.4	28,700	4.1	35	---	35	---	---	---	
		230	9.2	31,400	4.1	35	---	35	---	---	---	
		240	10.0	34,100	4.1	35	---	35	---	---	---	
ECB29-10 (28K47) (3) 20A Fuses	1	440	8.4	28,700	2.1	16	---	20	---	---	---	
		460	9.2	31,400	2.1	17	---	20	---	---	---	
		480	10.0	34,100	2.1	17	---	20	---	---	---	
15 kW 12 lbs. ECB29-15CB (12L63) (1) 50A Circuit breaker	1	208	11.3	38,400	4.1	44	---	⁴ 45	---	---	---	
		220	12.6	43,000	4.1	50	---	50	---	---	---	
		230	13.5	47,000	4.1	50	---	50	---	---	---	
		240	15.0	51,200	4.1	50	---	50	---	---	---	
ECB29-15 (28K48) (3) 25A Fuses	1	440	12.6	43,000	2.1	23	---	25	---	---	---	
		460	13.5	47,000	2.1	24	---	25	---	---	---	
		480	15.0	51,200	2.1	25	---	30	---	---	---	
20 kW 19 lbs. ECB29-20CB (12L64) (2) 35A Circuit breaker	2	208	15.0	51,200	4.1	31	26	35	⁴ 30	57	60	
		220	16.8	57,300	4.1	35	30	35	⁴ 30	65	70	
		230	18.4	62,700	4.1	35	30	35	⁴ 30	65	70	
		240	20.0	68,200	4.1	35	30	35	⁴ 30	65	70	

NOTE - Circuit 1 Minimum Circuit Ampacity includes the Blower Motor Full Load Amps.

¹ Electric heater capacity only - does not include additional blower motor heat capacity.

² Amps shown are for blower motor only.

³ Refer to National or Canadian Electrical Code manual to determine wire, fuse and disconnect size requirements. Use wires suitable for at least 167°F.

⁴ Bold text indicates that the circuit breaker on "CB" circuit breaker models must be replaced with size noted. See Table on Page 9.

⁵ HACR type circuit breaker or fuse.

ELECTRIC HEAT DATA - CBX27UH-042

SINGLE PHASE

	Model Number	No. of Stages	Volts Input	kW Input	¹ Btuh Input	² Blower Motor Full Load Amps	³ Minimum Circuit Ampacity			⁵ Maximum Overcurrent Protection			Single Point Power Source	
							Ckt 1	Ckt 2	Ckt 3	Ckt 1	Ckt 2	Ckt 3	³ Minimum Circuit Ampacity	⁵ Maximum Overcurrent Protection
4 kW 4 lbs.	ECB29-4 (12L30) Terminal Block ECB29-4CB (12L45) 30A Circuit breaker	1	208	3.0	10,250	7.6	28	---	---	30	---	---	---	---
			220	3.4	11,450	7.6	30	---	---	30	---	---	---	---
			230	3.7	12,550	7.6	30	---	---	30	---	---	---	---
			240	4.0	13,650	7.6	30	---	---	30	---	---	---	---
5 kW 4 lbs.	ECB29-5 (12L35) Terminal Block ECB29-5CB (12L47) 30A Circuit breaker	1	208	3.8	12,800	7.6	32	---	---	4 35	---	---	---	---
			220	4.2	14,300	7.6	36	---	---	4 40	---	---	---	---
			230	4.6	15,700	7.6	36	---	---	4 40	---	---	---	---
			240	5.0	17,100	7.6	36	---	---	4 40	---	---	---	---
6 kW 4 lbs.	ECB29-6 (12L44) Terminal Block ECB29-6CB (12L49) 35A Circuit breaker	1	208	4.5	15,400	7.6	37	---	---	4 40	---	---	---	---
			220	5.0	17,100	7.6	41	---	---	4 45	---	---	---	---
			230	5.5	18,800	7.6	41	---	---	4 45	---	---	---	---
			240	6.0	20,500	7.6	41	---	---	4 45	---	---	---	---
8 kW 5 lbs.	ECB29-8 (12L50) Terminal Block ECB29-8CB (12L52) 45A Circuit breaker	1	208	6.0	20,500	7.6	46	---	---	4 50	---	---	---	---
			220	6.7	22,900	7.6	51	---	---	4 60	---	---	---	---
			230	7.3	25,100	7.6	51	---	---	4 60	---	---	---	---
			240	8.0	27,300	7.6	51	---	---	4 60	---	---	---	---
9 kW 5 lbs.	ECB29-9CB (12L53) 60A Circuit breaker 60A Circuit breaker	2	208	6.8	23,100	7.6	50	---	---	4 50	---	---	---	---
			220	7.6	25,800	7.6	56	---	---	60	---	---	---	---
			230	8.3	28,200	7.6	56	---	---	60	---	---	---	---
			240	9.0	30,700	7.6	56	---	---	60	---	---	---	---
12.5 kW 10 lbs.	ECB29-12.5CB (12L55) (1) 25A Circuit breaker and (1) 50A Circuit breaker	2	208	9.4	32,000	7.6	28	38	---	4 30	4 40	---	66	80
			220	10.5	35,800	7.6	31	43	---	4 35	4 45	---	75	80
			230	11.5	39,200	7.6	31	43	---	4 35	4 45	---	75	80
			240	12.5	42,600	7.6	31	43	---	4 35	4 45	---	75	80
15 kW 12 lbs.	ECB29-15CB (12L56) (1) 30A Circuit breaker and (1) 60A Circuit breaker	2	208	11.3	38,400	7.6	32	45	---	4 35	4 45	---	77	80
			220	12.6	43,000	7.6	36	52	---	4 40	60	---	88	90
			230	13.5	47,000	7.6	36	52	---	4 40	60	---	88	90
			240	15.0	51,200	7.6	36	52	---	4 40	60	---	88	90
20 kW 19 lbs.	ECB29-20CB (12L58) (1) 50A Circuit breaker and (1) 60A Circuit breaker	2	208	15.0	51,200	7.6	50	50	---	50	4 50	---	100	125
			220	16.8	57,300	7.6	56	57	---	4 60	60	---	114	125
			230	18.4	62,700	7.6	56	57	---	4 60	60	---	114	125
			240	20.0	68,200	7.6	56	57	---	4 60	60	---	114	125
25 kW 19 lbs.	ECB29-25CB (12L59) (3) 50A Circuit breakers	3	208	18.8	64,100	7.6	47	38	38	50	4 40	4 40	123	125
			220	21.0	71,700	7.6	53	43	43	4 60	4 45	4 45	140	150
			230	23.0	78,300	7.6	53	43	43	4 60	4 45	4 45	140	150
			240	25.0	85,300	7.6	53	43	43	4 60	4 45	4 45	140	150

¹ Electric heater capacity only - does not include additional blower motor heat capacity.

² Amps shown are for blower motor only.

³ Refer to National or Canadian Electrical Code manual to determine wire, fuse and disconnect size requirements. Use wires suitable for at least 167°F.

⁴ Bold text indicates that the circuit breaker on "CB" circuit breaker models must be replaced with size noted. See Table on Page 9.

⁵ HACR type circuit breaker or fuse.

ELECTRIC HEAT DATA - CBX27UH-042

THREE PHASE

Model Number	No. of Stages	Input			² Blower Motor Full Load Amps	³ Minimum Circuit Ampacity		⁵ Maximum Overcurrent Protection		Single Point Power Source	
		Volts	kW	¹ Btuh		Ckt 1	Ckt 2	Ckt 1	Ckt 2	³ Minimum Circuit Ampacity	⁵ Maximum Overcurrent Protection
8 kW 5 lbs. ECB29-8 (12L61) Terminal block	1	208	6.0	20,500	7.6	30	---	30	---	---	---
		220	6.7	22,900	7.6	33	---	35	---	---	---
		230	7.3	25,100	7.6	33	---	35	---	---	---
		240	8.0	27,300	7.6	33	---	35	---	---	---
10 kW 6 lbs. ECB29-10 (12L62) Terminal Block	1	208	7.5	25,600	7.6	36	---	40	---	---	---
		220	8.4	28,700	7.6	40	---	40	---	---	---
		230	9.2	31,400	7.6	40	---	40	---	---	---
		240	10.0	34,100	7.6	40	---	40	---	---	---
ECB29-10 (28K47) (3) 20A Fuses	1	440	8.4	28,700	---	---	---	---	---	---	---
		460	9.2	31,400	---	---	---	---	---	---	---
		480	10.0	34,100	---	---	---	---	---	---	---
15 kW 12 lbs. ECB29-15CB (12L63) 50A Circuit breaker	1	208	11.3	38,400	7.6	49	---	50	---	---	---
		220	12.6	43,000	7.6	55	---	4 60	---	---	---
		230	13.5	47,000	7.6	55	---	4 60	---	---	---
		240	15.0	51,200	7.6	55	---	4 60	---	---	---
ECB29-15 (28K48) (3) 25A Fuses	1	440	12.6	43,000	---	---	---	---	---	---	---
		460	13.5	47,000	---	---	---	---	---	---	---
		480	15.0	51,200	---	---	---	---	---	---	---
20 kW 19 lbs. ECB29-20CB (12L64) (2) 35A Circuit breaker	2	208	15.0	51,200	7.6	36	26	4 40	4 30	62	70
		220	16.8	57,300	7.6	40	30	4 40	4 30	70	70
		230	18.4	62,700	7.6	40	30	4 40	4 30	70	70
		240	20.0	68,200	7.6	40	30	4 40	4 30	70	70
ECB29-20 (28K49) (3) 35A Fuses	1	440	16.8	57,300	---	---	---	---	---	---	---
		460	18.4	62,700	---	---	---	---	---	---	---
		480	20.0	68,200	---	---	---	---	---	---	---
⁶ ECB29-20 (28K51) (3) 25A Fuses	1	550	16.8	57,300	---	---	---	---	---	---	---
		575	18.4	62,700	---	---	---	---	---	---	---
		600	20.0	68,200	---	---	---	---	---	---	---
25 kW 19 lbs. ECB29-25CB (12L65) (2) 45A Circuit breaker	2	208	18.8	64,100	7.6	42	33	4 50	4 35	62	70
		220	21.0	71,700	7.6	47	38	4 50	4 40	85	90
		230	23.0	78,300	7.6	47	38	4 50	4 40	85	90
		240	25.0	85,300	7.6	47	38	4 50	4 40	85	90
ECB29-25 (28K50) (3) 40A Fuses	1	440	21.0	71,700	---	---	---	---	---	---	---
		460	23.0	78,300	---	---	---	---	---	---	---
		480	25.0	85,300	---	---	---	---	---	---	---
⁶ ECB29-25 (28K52) (3) 35A Fuses	1	550	21.0	71,700	---	---	---	---	---	---	---
		575	23.0	78,300	---	---	---	---	---	---	---
		600	25.0	85,300	---	---	---	---	---	---	---

NOTE - Circuit 1 Minimum Circuit Ampacity includes the Blower Motor Full Load Amps.

¹ Electric heater capacity only - does not include additional blower motor heat capacity.

² Amps shown are for blower motor only.

³ Refer to National or Canadian Electrical Code manual to determine wire, fuse and disconnect size requirements. Use wires suitable for at least 167°F.

⁴ Bold text indicates that the circuit breaker on "CB" circuit breaker models must be replaced with size noted. See Table on Page 9.

⁵ HACR type circuit breaker or fuse.

⁶ Blower motor is rated at 460V.

ELECTRIC HEAT DATA - CBX27UH-048

SINGLE PHASE

Model Number	No. of Stages	Input			² Blower Motor Full Load Amps	³ Minimum Circuit Ampacity			⁵ Maximum Overcurrent Protection			Single Point Power Source	
		Volts	kW	¹ Btuh		Ckt 1	Ckt 2	Ckt 3	Ckt 1	Ckt 2	Ckt 3	³ Minimum Circuit Ampacity	⁵ Maximum Overcurrent Protection
4 kW 4 lbs. ECB29-4 (12L30) Terminal Block ECB29-4CB (12L45) 30A Circuit breaker	1	208	3.0	10,250	7.6	28	---	---	30	---	---	---	---
		220	3.4	11,450	7.6	30	---	---	30	---	---	---	---
		230	3.7	12,550	7.6	30	---	---	30	---	---	---	---
		240	4.0	13,650	7.6	30	---	---	30	---	---	---	---
5 kW 4 lbs. ECB29-5 (12L35) Terminal Block ECB29-5CB (12L47) 30A Circuit breaker	1	208	3.8	12,800	7.6	32	---	---	⁴ 35	---	---	---	---
		220	4.2	14,300	7.6	36	---	---	⁴ 40	---	---	---	---
		230	4.6	15,700	7.6	36	---	---	⁴ 40	---	---	---	---
		240	5.0	17,100	7.6	36	---	---	⁴ 40	---	---	---	---
6 kW 4 lbs. ECB29-6 (12L44) Terminal Block ECB29-6CB (12L49) 35A Circuit breaker	1	208	4.5	15,400	7.6	37	---	---	⁴ 40	---	---	---	---
		220	5.0	17,100	7.6	41	---	---	⁴ 45	---	---	---	---
		230	5.5	18,800	7.6	41	---	---	⁴ 45	---	---	---	---
		240	6.0	20,500	7.6	41	---	---	⁴ 45	---	---	---	---
8 kW 5 lbs. ECB29-8 (12L50) Terminal Block ECB29-8CB (12L52) 45A Circuit breaker	1	208	6.0	20,500	7.6	46	---	---	⁴ 50	---	---	---	---
		220	6.7	22,900	7.6	51	---	---	⁴ 60	---	---	---	---
		230	7.3	25,100	7.6	51	---	---	⁴ 60	---	---	---	---
		240	8.0	27,300	7.6	51	---	---	⁴ 60	---	---	---	---
9 kW 5 lbs. ECB29-9CB (12L53) 60A Circuit breaker	2	208	6.8	23,100	7.6	50	---	---	⁴ 50	---	---	---	---
		220	7.6	25,800	7.6	56	---	---	60	---	---	---	---
		230	8.3	28,200	7.6	56	---	---	60	---	---	---	---
		240	9.0	30,700	7.6	56	---	---	60	---	---	---	---
12.5 kW 10 lbs. ECB29-12.5CB (12L55) (91K68) (1) 25A Circuit breaker & (1) 50A Circuit breaker	2	208	9.4	32,000	7.6	28	38	---	⁴ 30	⁴ 40	---	66	80
		220	10.5	35,800	7.6	31	43	---	⁴ 35	⁴ 45	---	75	80
		230	11.5	39,200	7.6	31	43	---	⁴ 35	⁴ 45	---	75	80
		240	12.5	42,600	7.6	31	43	---	⁴ 35	⁴ 45	---	75	80
15 kW 12 lbs. ECB29-15CB (12L56) (1) 30A Circuit breaker & (1) 60A Circuit breaker	2	208	11.3	38,400	7.6	32	45	---	⁴ 35	⁴ 45	---	77	80
		220	12.6	43,000	7.6	36	52	---	⁴ 40	60	---	88	90
		230	13.5	47,000	7.6	36	52	---	⁴ 40	60	---	88	90
		240	15.0	51,200	7.6	36	52	---	⁴ 40	60	---	88	90
20 kW 19 lbs. ECB29-20CB (12L58) (1) 50A Circuit breaker & (1) 60A Circuit breaker	2	208	15.0	51,200	7.6	50	50	---	50	⁴ 50	---	100	125
		220	16.8	57,300	7.6	56	57	---	⁴ 60	60	---	114	125
		230	18.4	62,700	7.6	56	57	---	⁴ 60	60	---	114	125
		240	20.0	68,200	7.6	56	57	---	⁴ 60	60	---	114	125
25 kW 19 lbs. ECB29-25CB (12L59) (3) 50A Circuit breakers	3	208	18.8	64,100	7.6	47	38	38	50	⁴ 40	⁴ 40	123	125
		220	21.0	71,700	7.6	53	43	43	⁴ 60	⁴ 45	⁴ 45	140	150
		230	23.0	78,300	7.6	53	43	43	⁴ 60	⁴ 45	⁴ 45	140	150
		240	25.0	85,300	7.6	53	43	43	⁴ 60	⁴ 45	⁴ 45	140	150

NOTE - Circuit 1 Minimum Circuit Ampacity includes the Blower Motor Full Load Amps.

¹ Electric heater capacity only - does not include additional blower motor heat capacity.

² Amps shown are for blower motor only.

³ Refer to National or Canadian Electrical Code manual to determine wire, fuse and disconnect size requirements. Use wires suitable for at least 167°F.

⁴ Bold text indicates that the circuit breaker on "CB" circuit breaker models must be replaced with size noted. See Table on Page 9.

⁵ HACR type circuit breaker or fuse.

ELECTRIC HEAT DATA - CBX27UH-048

THREE PHASE

Model Number	No. of Stages	Input			² Blower Motor Full Load Amps	³ Minimum Circuit Ampacity		⁵ Maximum Overcurrent Protection		Single Point Power Source	
		Volts	kW	¹ Btuh		Ckt 1	Ckt 2	Ckt 1	Ckt 2	³ Minimum Circuit Ampacity	⁵ Maximum Overcurrent Protection
8 kW 5 lbs. ECB29-8 (12L61) Terminal block	1	208	6.0	20,500	7.6	30	---	30	---	---	---
		220	6.7	22,900	7.6	33	---	35	---	---	---
		230	7.3	25,100	7.6	33	---	35	---	---	---
		240	8.0	27,300	7.6	33	---	35	---	---	---
10 kW 6 lbs. ECB29-10 (12L62) Terminal Block	1	208	7.5	25,600	7.6	36	---	40	---	---	---
		220	8.4	28,700	7.6	40	---	40	---	---	---
		230	9.2	31,400	7.6	40	---	40	---	---	---
		240	10.0	34,100	7.6	40	---	40	---	---	---
ECB29-10 (28K47) (3) 20A Fuses	1	440	8.4	28,700	4.0	18	---	20	---	---	---
		460	9.2	31,400	4.0	19	---	20	---	---	---
		480	10.0	34,100	4.0	20	---	25	---	---	---
15 kW 12 lbs. ECB29-15CB (12L63) 50A Circuit breaker	1	208	11.3	38,400	7.6	49	---	50	---	---	---
		220	12.6	43,000	7.6	55	---	4 60	---	---	---
		230	13.5	47,000	7.6	55	---	4 60	---	---	---
		240	15.0	51,200	7.6	55	---	4 60	---	---	---
ECB29-15 (28K48) (3) 25A Fuses	1	440	12.6	43,000	4.0	25	---	30	---	---	---
		460	13.5	47,000	4.0	26	---	30	---	---	---
		480	15.0	51,200	4.0	27	---	30	---	---	---
20 kW 19 lbs. ECB29-20CB (12L64) (2) 35A Circuit breaker	2	208	15.0	51,200	7.6	36	26	4 40	4 30	62	70
		220	16.8	57,300	7.6	40	30	4 40	4 30	70	70
		230	18.4	62,700	7.6	40	30	4 40	4 30	70	70
		240	20.0	68,200	7.6	40	30	4 40	4 30	70	70
ECB29-20 (28K49) (3) 35A Fuses	1	440	16.8	57,300	4.0	33	---	35	---	---	---
		460	18.4	62,700	4.0	34	---	35	---	---	---
		480	20.0	68,200	4.0	35	---	40	---	---	---
⁶ ECB29-20 (28K51) (3) 25A Fuses	1	550	16.8	57,300	4.0	27	---	30	---	---	---
		575	18.4	62,700	4.0	28	---	30	---	---	---
		600	20.0	68,200	4.0	29	---	30	---	---	---
25 kW 19 lbs. ECB29-25CB (12L65) (2) 45A Circuit breaker	2	208	18.8	64,100	7.6	42	33	4 50	4 35	75	80
		220	21.0	71,700	7.6	47	38	4 50	4 40	85	90
		230	23.0	78,300	7.6	47	38	4 50	4 40	85	90
		240	25.0	85,300	7.6	47	38	4 50	4 40	85	90
ECB29-25 (28K50) (3) 40A Fuses	1	440	21.0	71,700	4.0	39	---	40	---	---	---
		460	23.0	78,300	4.0	41	---	45	---	---	---
		480	25.0	85,300	4.0	42	---	45	---	---	---
⁶ ECB29-25 (28K52) (3) 35A Fuses	1	550	21.0	71,700	4.0	32	---	35	---	---	---
		575	23.0	78,300	4.0	34	---	35	---	---	---
		600	25.0	85,300	4.0	35	---	40	---	---	---

NOTE - Circuit 1 Minimum Circuit Ampacity includes the Blower Motor Full Load Amps.

¹ Electric heater capacity only - does not include additional blower motor heat capacity.

² Amps shown are for blower motor only.

³ Refer to National or Canadian Electrical Code manual to determine wire, fuse and disconnect size requirements. Use wires suitable for at least 167°F.

⁴ Bold text indicates that the circuit breaker on "CB" circuit breaker models must be replaced with size noted. See Table on Page 9.

⁵ HACR type circuit breaker or fuse.

⁶ Blower motor is rated at 460V.

ELECTRIC HEAT DATA - CBX27UH-060

SINGLE PHASE

Model Number	No. of Stages	Input			² Blower Motor Full Load Amps	³ Minimum Circuit Ampacity			⁵ Maximum Overcurrent Protection			Single Point Power Source	
		Volts	kW	¹ Btuh		Ckt 1	Ckt 2	Ckt 3	Ckt 1	Ckt 2	Ckt 3	³ Minimum Circuit Ampacity	⁵ Maximum Overcurrent Protection
4 kW 4 lbs. ECB29-4 (12L30) Terminal Block ECB29-4CB (12L45) 30A Circuit breaker	1	208	3.0	10,250	7.6	28	---	---	30	---	---	---	---
		220	3.4	11,450	7.6	30	---	---	30	---	---	---	---
		230	3.7	12,550	7.6	30	---	---	30	---	---	---	---
		240	4.0	13,650	7.6	30	---	---	30	---	---	---	---
5 kW 4 lbs. ECB29-5 (12L35) Terminal Block ECB29-5CB (12L47) 30A Circuit breaker	1	208	3.8	12,800	7.6	32	---	---	⁴ 35	---	---	---	---
		220	4.2	14,300	7.6	36	---	---	⁴ 40	---	---	---	---
		230	4.6	15,700	7.6	36	---	---	⁴ 40	---	---	---	---
		240	5.0	17,100	7.6	36	---	---	⁴ 40	---	---	---	---
6 kW 4 lbs. ECB29-6 (12L44) Terminal Block ECB29-6CB (12L49) 35A Circuit breaker	1	208	4.5	15,400	7.6	37	---	---	⁴ 40	---	---	---	---
		220	5.0	17,100	7.6	41	---	---	⁴ 45	---	---	---	---
		230	5.5	18,800	7.6	41	---	---	⁴ 45	---	---	---	---
		240	6.0	20,500	7.6	41	---	---	⁴ 45	---	---	---	---
8 kW 5 lbs. ECB29-8 (12L50) Terminal Block ECB29-8CB (12L52) 45A Circuit breaker	1	208	6.0	20,500	7.6	46	---	---	⁴ 50	---	---	---	---
		220	6.7	22,900	7.6	51	---	---	⁴ 60	---	---	---	---
		230	7.3	25,100	7.6	51	---	---	⁴ 60	---	---	---	---
		240	8.0	27,300	7.6	51	---	---	⁴ 60	---	---	---	---
9 kW 5 lbs. ECB29-9CB (12L53) 60A Circuit breaker	2	208	6.8	23,100	7.6	50	---	---	⁴ 50	---	---	---	---
		220	7.6	25,800	7.6	56	---	---	60	---	---	---	---
		230	8.3	28,200	7.6	56	---	---	60	---	---	---	---
		240	9.0	30,700	7.6	56	---	---	60	---	---	---	---
12.5 kW 10 lbs. ECB29-12.5CB (12L55) (1) 25A Circuit Breaker and (1) 50A Circuit breaker	2	208	9.4	32,000	7.6	28	38	---	⁴ 30	⁴ 40	---	66	70
		220	10.5	35,800	7.6	31	43	---	⁴ 35	⁴ 45	---	75	80
		230	11.5	39,200	7.6	31	43	---	⁴ 35	⁴ 45	---	75	80
		240	12.5	42,600	7.6	31	43	---	⁴ 35	⁴ 45	---	75	80
15 kW 12 lbs. ECB29-15CB (12L56) (1) 30A Circuit breaker and (1) 60A Circuit breaker	2	208	11.3	38,400	7.6	32	45	---	⁴ 35	⁴ 45	---	77	80
		220	12.6	43,000	7.6	36	52	---	⁴ 40	60	---	88	90
		230	13.5	47,000	7.6	36	52	---	⁴ 40	60	---	88	90
		240	15.0	51,200	7.6	36	52	---	⁴ 40	60	---	88	90
20 kW 19 lbs. ECB29-20CB (12L58) (1) 50A Circuit Breaker and (1) 60A Circuit breaker	2	208	15.0	51,200	7.6	50	50	---	50	⁴ 50	---	100	125
		220	16.8	57,300	7.6	56	57	---	⁴ 60	60	---	114	125
		230	18.4	62,700	7.6	56	57	---	⁴ 60	60	---	114	125
		240	20.0	68,200	7.6	56	57	---	⁴ 60	60	---	114	125
25 kW 19 lbs. ECB29-25CB (12L59) (3) 50A Circuit breakers	3	208	18.8	64,100	7.6	47	38	38	50	⁴ 40	⁴ 40	123	125
		220	21.0	71,700	7.6	53	43	43	⁴ 60	⁴ 45	⁴ 45	140	150
		230	23.0	78,300	7.6	53	43	43	⁴ 60	⁴ 45	⁴ 45	140	150
		240	25.0	85,300	7.6	53	43	43	⁴ 60	⁴ 45	⁴ 45	140	150

NOTE - Circuit 1 Minimum Circuit Ampacity includes the Blower Motor Full Load Amps.

¹ Electric heater capacity only - does not include additional blower motor heat capacity.

² Amps shown are for blower motor only.

³ Refer to National or Canadian Electrical Code manual to determine wire, fuse and disconnect size requirements. Use wires suitable for at least 167°F.

⁴ Bold text indicates that the circuit breaker on "CB" circuit breaker models must be replaced with size noted. See Table on Page 9.

⁵ HACR type circuit breaker or fuse.

ELECTRIC HEAT DATA - CBX27UH-060

THREE PHASE

Model Number	No. of Stages	Input			² Blower Motor Full Load Amps	³ Minimum Circuit Ampacity		⁵ Maximum Overcurrent Protection		Single Point Power Source	
		Volts	kW	¹ Btuh		Ckt 1	Ckt 2	Ckt 1	Ckt 2	³ Minimum Circuit Ampacity	⁵ Maximum Overcurrent Protection
8 kW 5 lbs. ECB29-8 (12L61) Terminal block	1	208	6.0	20,500	7.6	30	---	30	---	---	---
		220	6.7	22,900	7.6	33	---	35	---	---	---
		230	7.3	25,100	7.6	33	---	35	---	---	---
		240	8.0	27,300	7.6	33	---	35	---	---	---
10 kW 6 lbs. ECB29-10 (12L62) Terminal Block	1	208	7.5	25,600	7.6	36	---	40	---	---	---
		220	8.4	28,700	7.6	40	---	40	---	---	---
		230	9.2	31,400	7.6	40	---	40	---	---	---
		240	10.0	34,100	7.6	40	---	40	---	---	---
ECB29-10 (28K47) (3) 20A Fuses	1	440	8.4	28,700	4.0	18	---	20	---	---	---
		460	9.2	31,400	4.0	19	---	20	---	---	---
		480	10.0	34,100	4.0	20	---	25	---	---	---
15 kW 12 lbs. ECB29-15CB (12L63) 50A Circuit breaker	1	208	11.3	38,400	7.6	49	---	50	---	---	---
		220	12.6	43,000	7.6	55	---	4 60	---	---	---
		230	13.5	47,000	7.6	55	---	4 60	---	---	---
		240	15.0	51,200	7.6	55	---	4 60	---	---	---
ECB29-15 (28K48) (3) 25A Fuses	1	440	12.6	43,000	4.0	25	---	30	---	---	---
		460	13.5	47,000	4.0	26	---	30	---	---	---
		480	15.0	51,200	4.0	27	---	30	---	---	---
20 kW 19 lbs. ECB29-20CB (12L64) (2) 35A Circuit breaker	2	208	15.0	51,200	7.6	36	26	4 40	4 30	62	70
		220	16.8	57,300	7.6	40	30	4 40	4 30	70	70
		230	18.4	62,700	7.6	40	30	4 40	4 30	70	70
		240	20.0	68,200	7.6	40	30	4 40	4 30	70	70
ECB29-20 (28K49) (3) 35A Fuses	1	440	16.8	57,300	4.0	33	---	35	---	---	---
		460	18.4	62,700	4.0	34	---	35	---	---	---
		480	20.0	68,200	4.0	35	---	40	---	---	---
⁶ ECB29-20 (28K51) (3) 25A Fuses	1	550	16.8	57,300	4.0	27	---	30	---	---	---
		575	18.4	62,700	4.0	28	---	30	---	---	---
		600	20.0	68,200	4.0	29	---	30	---	---	---
25 kW 19 lbs. ECB29-25CB (12L65) (2) 45A Circuit breaker	2	208	18.8	64,100	7.6	42	33	45	4 35	75	80
		220	21.0	71,700	7.6	47	38	4 50	4 40	85	90
		230	23.0	78,300	7.6	47	38	4 50	4 40	85	90
		240	25.0	85,300	7.6	47	38	4 50	4 40	85	90
ECB29-25 (28K50) (3) 40A Fuses	1	440	21.0	71,700	4.0	39	---	40	---	---	---
		460	23.0	78,300	4.0	41	---	45	---	---	---
		480	25.0	85,300	4.0	42	---	45	---	---	---
⁶ ECB29-25 (28K52) (3) 35A Fuses	1	550	21.0	71,700	4.0	32	---	35	---	---	---
		575	23.0	78,300	4.0	34	---	35	---	---	---
		600	25.0	85,300	4.0	35	---	40	---	---	---

NOTE - Circuit 1 Minimum Circuit Ampacity includes the Blower Motor Full Load Amps.

¹ Electric heater capacity only - does not include additional blower motor heat capacity.

² Amps shown are for blower motor only.

³ Refer to National or Canadian Electrical Code manual to determine wire, fuse and disconnect size requirements. Use wires suitable for at least 167°F.

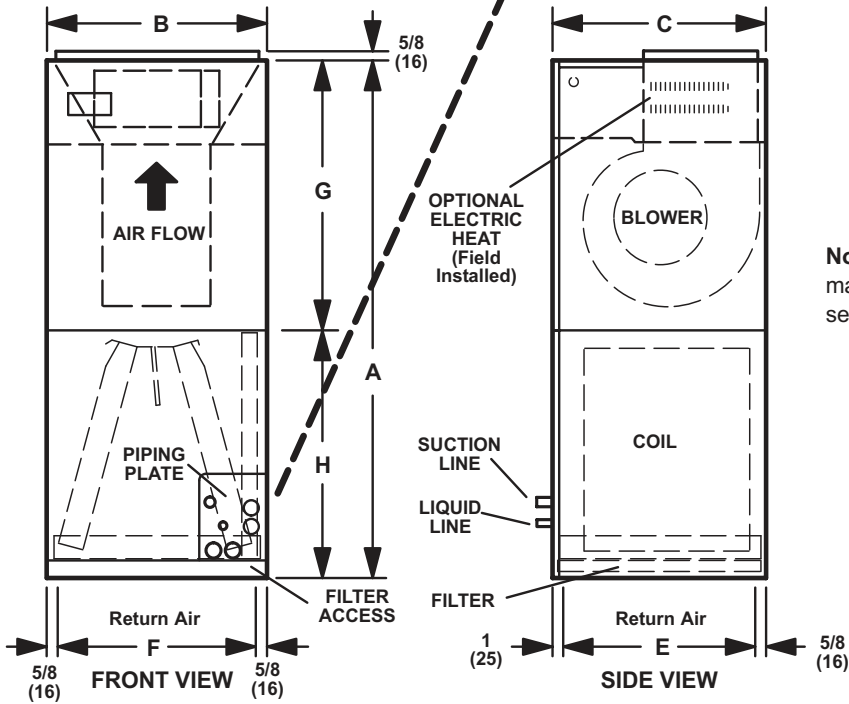
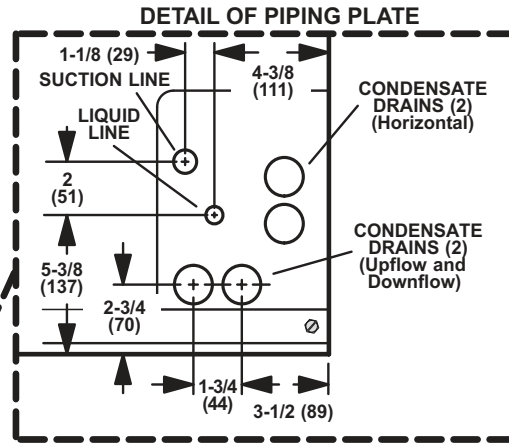
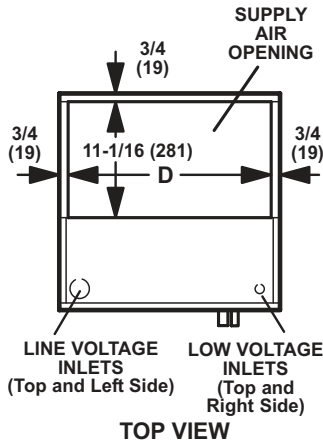
⁴ Bold text indicates that the circuit breaker on "CB" circuit breaker models must be replaced with size noted. See Table on Page 9.

⁵ HACR type circuit breaker or fuse.

⁶ Blower motor is rated at 460V.

DIMENSIONS - INCHES (MM)

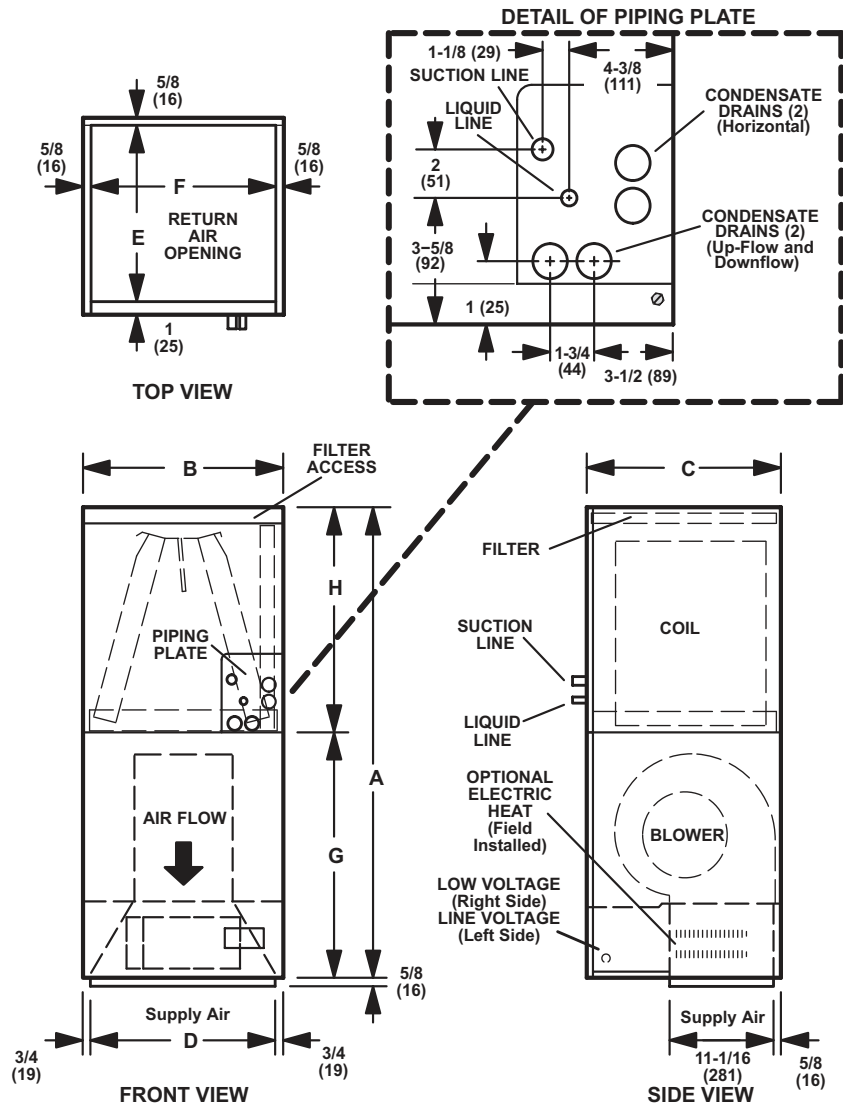
UPFLOW POSITION



Note – Units are shipped in one piece but may be disassembled into two separate sections for ease of installation.

Model No.		A	B	C	D	E	F	G	H
CBX27UH-018	in.	49-1/4	21-1/4	20-5/8	19-3/4	19	20	24-5/8	24-5/8
	mm	1251	540	524	502	483	508	625	625
CBX27UH-030	in.	51	21-1/4	22-5/8	19-3/4	21	20	26-3/8	24-5/8
	mm	1295	540	575	502	533	508	670	625
CBX27UH-042	in.	58-1/2	21-1/4	24-5/8	19-3/4	23	20	27-7/8	30-5/8
	mm	1486	540	625	502	584	508	708	778
CBX27UH-060	in.	62-1/2	21-1/4	24-5/8	19-3/4	23	20	27-7/8	34-5/8
	mm	1588	540	625	502	584	508	708	879

**DOWNFLOW POSITION with
Optional Downflow Conversion Kit (Required)**

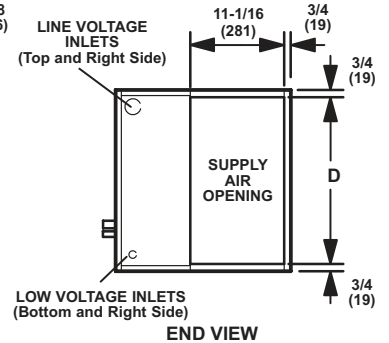
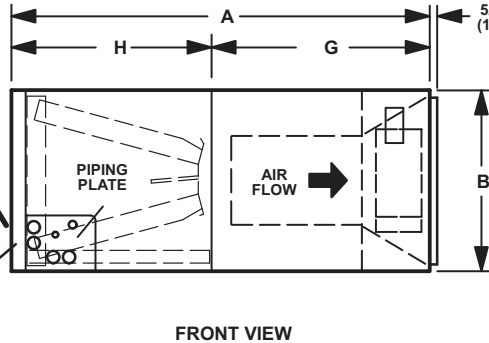
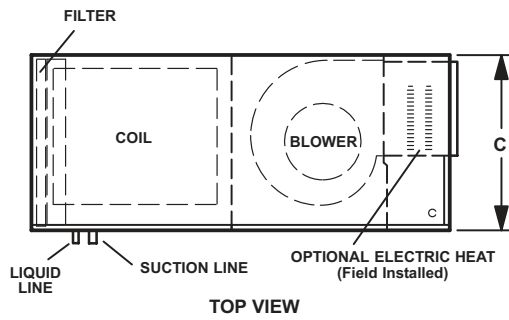
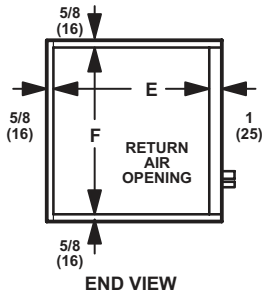
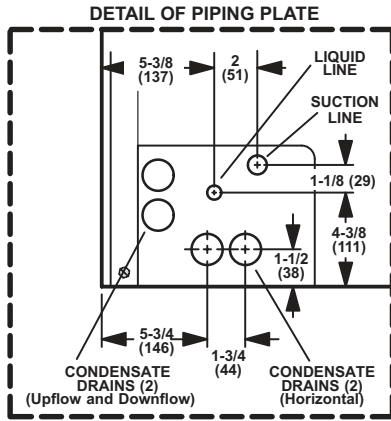


Note – Units are shipped in one piece but may be disassembled into two separate sections for ease of installation.

Model No.		A	B	C	D	E	F	G	H
CBX27UH-018 CBX27UH-024	in.	49-1/4	21-1/4	20-5/8	19-3/4	19	20	24-5/8	24-5/8
	mm	1251	540	524	502	483	508	625	625
CBX27UH-030 CBX27UH-036	in.	51	21-1/4	22-5/8	19-3/4	21	20	26-3/8	24-5/8
	mm	1295	540	575	502	533	508	670	625
CBX27UH-042 CBX27UH-048	in.	58-1/2	21-1/4	24-5/8	19-3/4	23	20	27-7/8	30-5/8
	mm	1486	540	625	502	584	508	708	778
CBX27UH-060	in.	62-1/2	21-1/4	24-5/8	19-3/4	23	20	27-7/8	34-5/8
	mm	1588	540	625	502	584	508	708	879

DIMENSIONS - INCHES (MM)

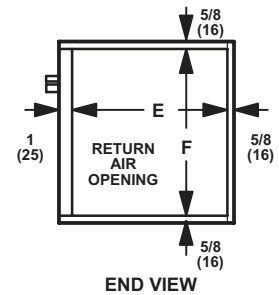
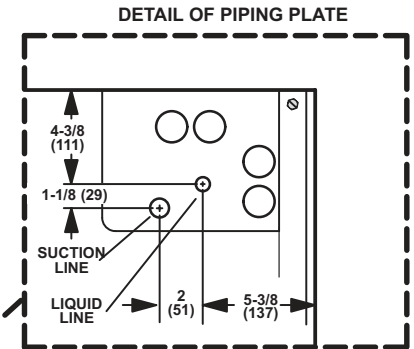
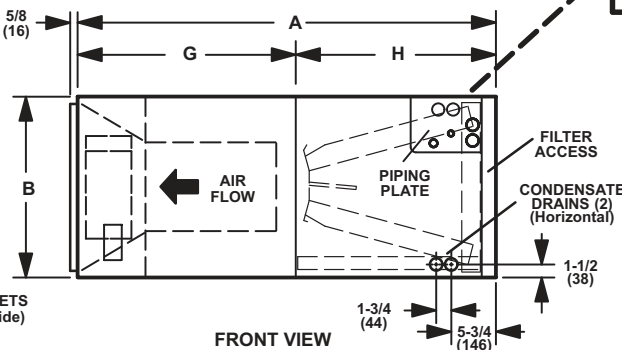
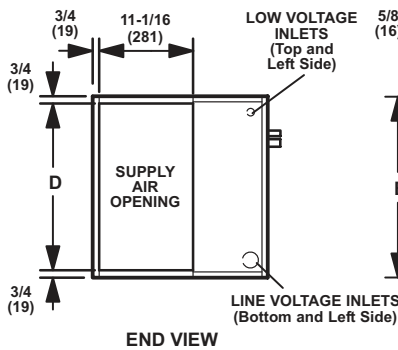
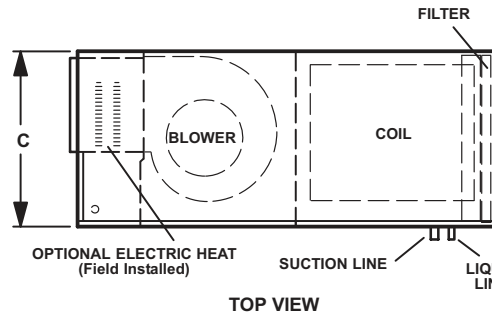
RIGHT-HAND AIR DISCHARGE



Note - Units are shipped in one piece but may be disassembled into two separate sections for ease of installation.

LEFT-HAND AIR DISCHARGE

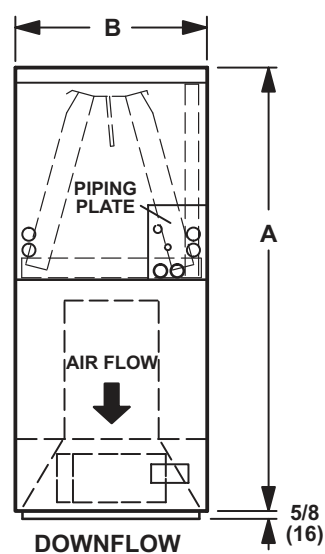
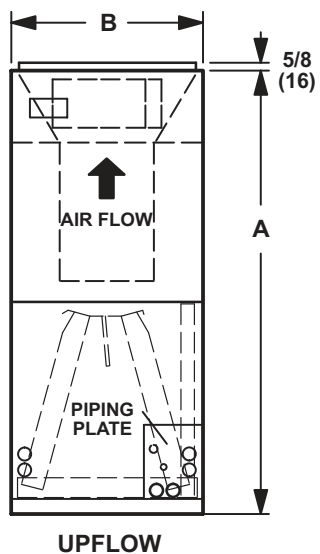
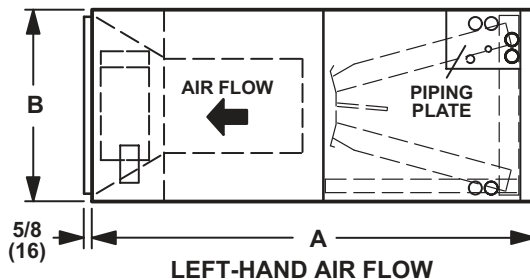
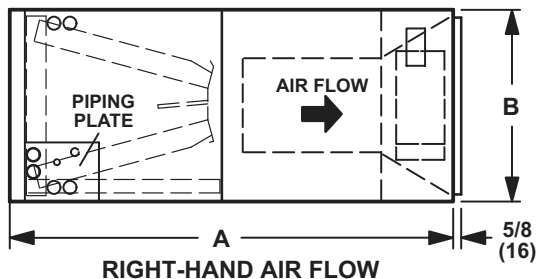
Note - Units are shipped in one piece but may be disassembled into two separate sections for ease of installation.



Model No.	A		B		C		D		E		F		G		H	
	inch	mm	inch	mm	inch	mm	inch	mm	inch	mm	inch	mm	inch	mm	inch	mm
CBX27UH-018 CBX27UH-024	49-1/4	1251	21-1/4	540	20-5/8	524	19-3/4	502	19	483	20	508	24-5/8	625	24-5/8	625
CBX27UH-030 CBX27UH-036	51	1295	21-1/4	540	22-5/8	575	19-3/4	502	21	533	20	508	26-3/8	670	24-5/8	625
CBX27UH-042 CBX27UH-048	58-1/2	1486	21-1/4	540	24-5/8	625	19-3/4	502	23	584	20	508	27-7/8	708	30-5/8	778
CBX27UH-060	62-1/2	1588	21-1/4	540	24-5/8	625	19-3/4	502	23	584	20	508	27-7/8	708	34-5/8	879

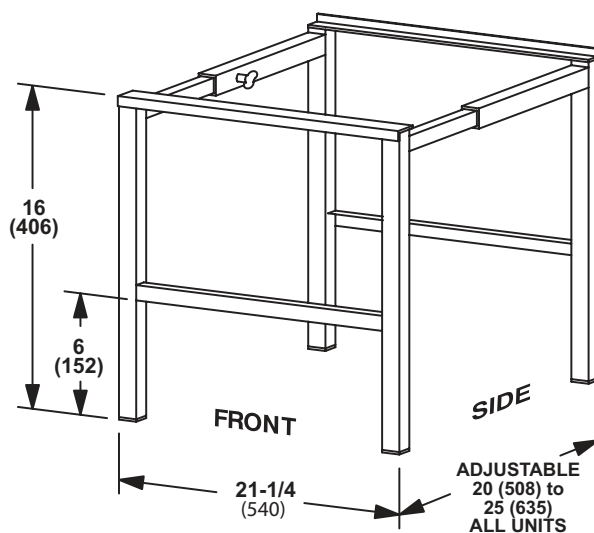
DIMENSIONS - INCHES (MM)

AIR FLOW



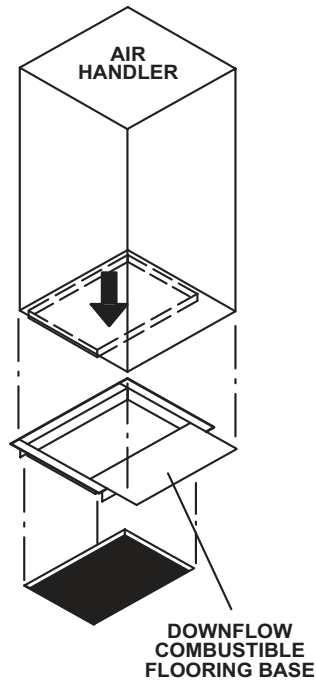
Model No.	A		B	
	in.	mm	in.	mm
CBX27UH-018	49-1/4	1251	21-1/4	540
CBX27UH-024	49-1/4	1251	21-1/4	540
CBX27UH-030	51	1295	21-1/4	540
CBX27UH-036	51	1295	21-1/4	540
CBX27UH-042	58-1/2	1486	21-1/4	540
CBX27UH-048	58-1/2	1486	21-1/4	540
CBX27UH-060	62-1/2	1588	21-1/4	540

SIDE RETURN UNIT STAND (Upflow Only)

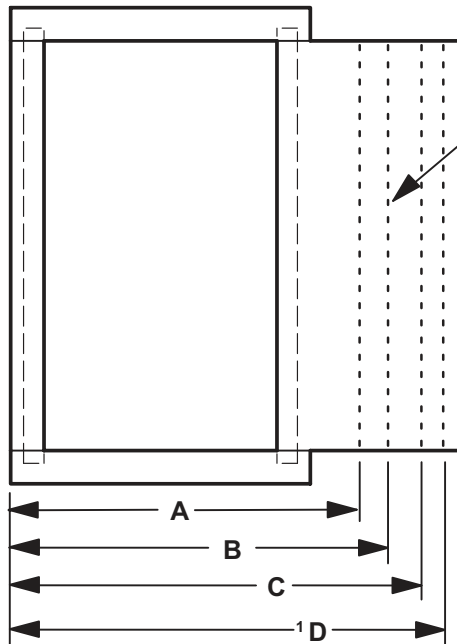
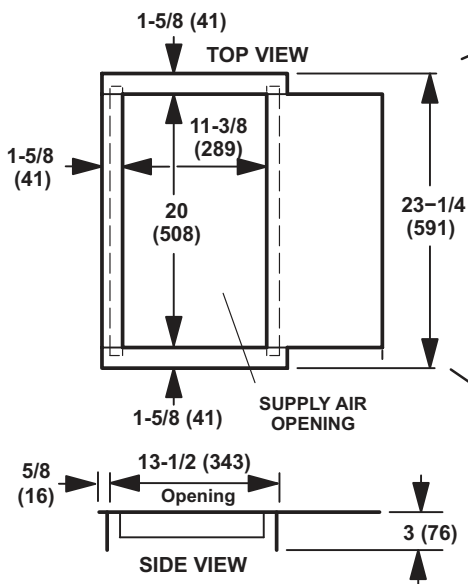


DIMENSIONS - INCHES (MM)

DOWNFLOW COMBUSTIBLE FLOORING BASE



Catalog No. - 44K15



Break off extended width at pre-perforated line to fit specific air handler application.
NOTE - Width of base includes an additional 2 in. (51 mm) for air handler positioning adjustment.

¹ No modification required.

Model No.	018, 024		030, 036		042, 048, 060	
	in.	mm	in.	mm	in.	mm
A	22-5/8	575	---	---	---	---
B	---	---	24-5/8	625	---	---
C	---	---	---	---	26-5/8	676

REVISIONS

Sections	Description of Change
Controls	Added ComfortSense® 7500 Thermostat.



Visit us at www.lennox.com

For the latest technical information, www.lennox.com

Contact us at 1-800-4-LENNOX

NOTE - Due to Lennox' ongoing commitment to quality, Specifications, Ratings and Dimensions subject to change without notice and without incurring liability. Improper installation, adjustment, alteration, service or maintenance can cause property damage or personal injury. Installation and service must be performed by a qualified installer and servicing agency.

©2015 Lennox Industries, Inc.