

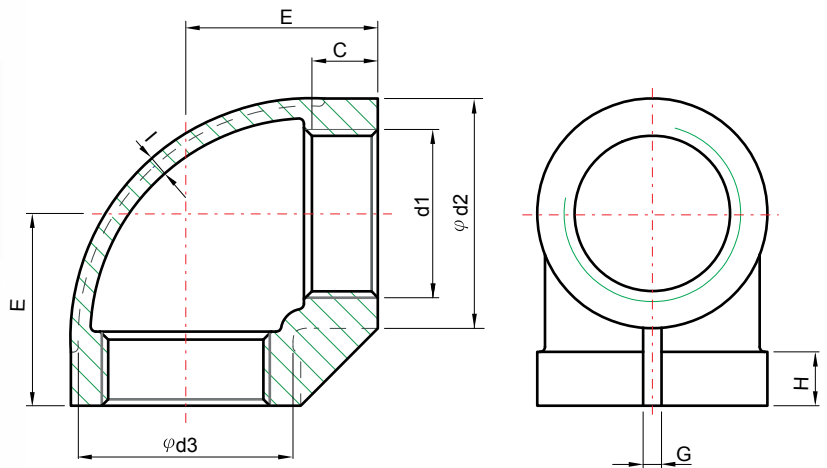
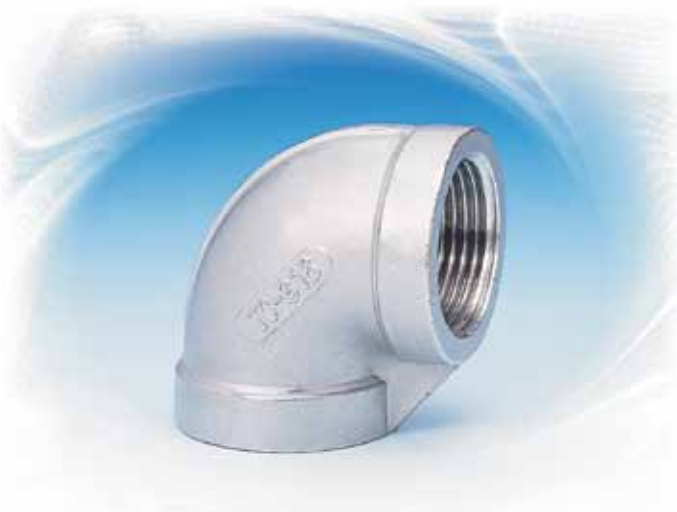
# 150LB STANDARD PATTERN CAST FITTINGS INDEX

9LB - 90° ELBOWS BANDED EQUAL.....	60
TEB - TEES BANDED EQUAL.....	61
4LB - 45° ELBOWS BANDED EQUAL.....	62
SLB - STREET ELBOWS 90° BANDED.....	63
+LB - CROSSES BANDED EQUAL.....	64
UCF - UNIONS F/F.....	65
UCM - UNIONS M/F.....	66
UCB - UNIONS B/W.....	67
RCB - ROUND CAPS.....	68
SPG - SQUARE HEAD PLUGS.....	69
HPG - HEX HEAD PLUGS.....	70
HCB - HEX CAPS.....	71
HNT - HEX NUTS.....	72
HBU - HEX BUSHINGS.....	73
HBV - HEX BUSHINGS.....	74
FCP - COUPLINGS / SOCKETS.....	75
HCP - HALF COUPLINGS / HALF SOCKETS.....	76
RSB - REDUCING COUPLINGS.....	77
RSB - REDUCING COUPLINGS.....	78
RNP - REDUCING HEX NIPPLE.....	79
RNP - REDUCING HEX NIPPLE.....	80
HNP - HEX NIPPLE.....	81
ONP - HOSE NIPPLE.....	82
PNP - PIPE NIPPLE.....	83
STANDARD PACKING QUALITY FOR EACH CARTON WEIGHT LIST.....	84
WEIGHT LIST.....	85



# 150LB STANDARD PATTERN CAST FITTINGS

## 9LB - 90° ELBOWS BANDED EQUAL



### DESIGN FEATURES:

- 🔴 THREAD: NPT
- 🔴 CF8 (304) & CF8M (316)

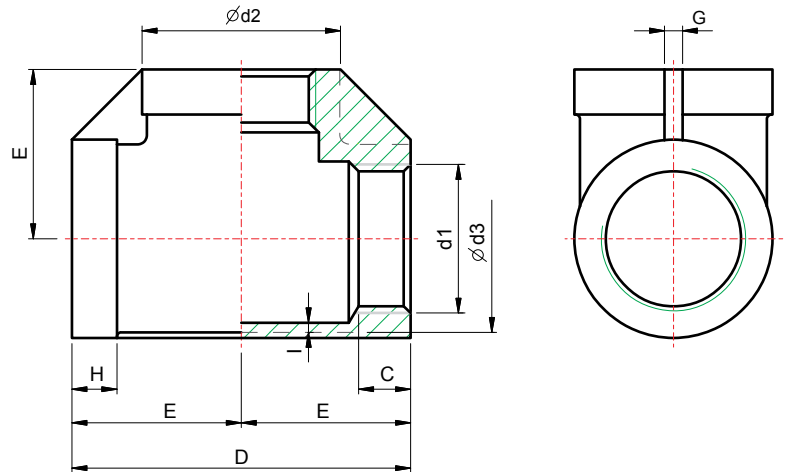
### DIMENSIONS

unit : inch

SIZE	d1	d2	d3	C	E	G	H	I
1/8"	1/8"	0.63	0.53	0.24	0.67	0.14	0.24	0.08
1/4"	1/4"	0.75	0.61	0.37	0.77	0.16	0.24	0.08
3/8"	3/8"	0.89	0.77	0.38	0.94	0.16	0.31	0.10
1/2"	1/2"	1.10	1.02	0.39	1.14	0.12	0.30	0.08
3/4"	3/4"	1.34	1.24	0.41	1.26	0.12	0.35	0.08
1"	1"	1.69	1.61	0.55	1.46	0.16	0.39	0.10
1 1/4"	1 1/4"	2.01	1.89	0.63	1.71	0.20	0.43	0.10
1 1/2"	1 1/2"	2.32	2.22	0.61	1.89	0.20	0.47	0.10
2"	2"	2.83	2.68	0.71	2.19	0.22	0.51	0.10
2 1/2"	2 1/2"	3.54	3.39	0.87	2.64	0.35	0.55	0.12
3"	3"	4.17	4.02	0.94	3.03	0.39	0.59	0.14
4"	4"	5.20	5.00	1.02	3.78	0.33	0.65	0.14



## TEB - TEES BANDED EQUAL



### DESIGN FEATURES:

- 🔴 THREAD: NPT
- 🔴 CF8 (304) & CF8M (316)

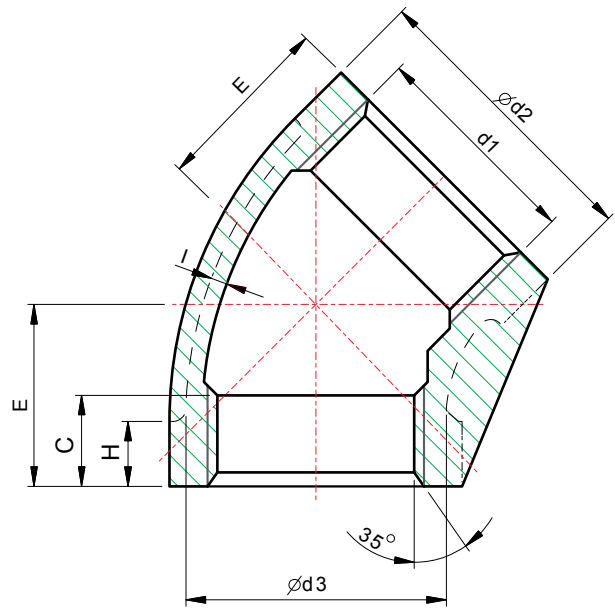
### DIMENSIONS

unit : inch

SIZE	d1	d2	d3	C	D	E	G	H	I
1/8"	1/8"	0.63	0.53	0.24	1.42	0.71	0.12	0.24	0.10
1/4"	1/4"	0.75	0.61	0.37	1.04	0.77	0.12	0.24	0.08
3/8"	3/8"	0.89	0.77	0.38	1.85	0.93	0.12	0.26	0.10
1/2"	1/2"	1.10	1.02	0.39	2.28	1.14	0.12	0.30	0.08
3/4"	3/4"	1.34	1.24	0.39	2.56	1.28	0.12	0.33	0.08
1"	1"	1.69	1.57	0.51	2.91	1.46	0.16	0.37	0.08
1 1/4"	1 1/4"	2.01	1.89	0.65	3.50	1.75	0.20	0.41	0.08
1 1/2"	1 1/2"	2.32	2.22	0.63	3.82	1.91	0.20	0.45	0.10
2"	2"	2.83	2.68	0.71	4.45	2.22	0.24	0.47	0.10
2 1/2"	2 1/2"	3.54	3.39	0.91	5.35	2.68	0.35	0.57	0.16
3"	3"	4.17	4.00	0.96	6.18	3.09	0.39	0.59	0.16
4"	4"	5.20	5.00	1.02	7.68	3.84	0.35	0.61	0.16

# 150LB STANDARD PATTERN CAST FITTINGS

## 4LB - 45° ELBOWS BANDED EQUAL



### DESIGN FEATURES:

- THREAD: NPT
- CF8 (304) & CF8M (316)

### DIMENSIONS

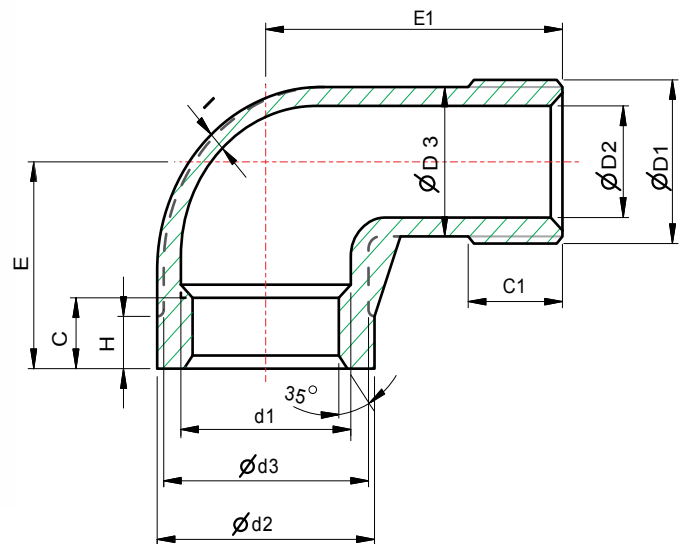
unit : inch

SIZE	d 1	d 2	d 3	C	E	H	I
1/8"	1/8"	0.63	0.53	0.28	0.63	0.24	0.08
1/4"	1/4"	0.75	0.61	0.37	0.67	0.26	0.08
3/8"	3/8"	0.89	0.77	0.38	0.75	0.24	0.08
1/2"	1/2"	1.18	1.10	0.39	0.83	0.31	0.10
3/4"	3/4"	1.42	1.34	0.43	0.94	0.39	0.10
1"	1"	1.77	1.57	0.55	1.10	0.39	0.10
1 1/4"	1 1/4"	2.22	1.91	0.61	1.30	0.43	0.10
1 1/2"	1 1/2"	2.30	2.20	0.61	1.42	0.49	0.10
2"	2"	2.83	2.68	0.65	1.65	0.51	0.10
2 1/2"	2 1/2"	3.54	3.43	0.87	1.93	0.55	0.16
3"	3"	4.17	4.00	0.98	2.13	0.59	0.16
4"	4"	6.24	4.25	0.98	2.56	0.59	0.16



# 150LB STANDARD PATTERN CAST FITTINGS

## SLB - STREET ELBOWS 90° BANDED



### DESIGN FEATURES:

- 🔴 THREAD: NPT
- 🔴 CF8 (304) & CF8M (316)

### DIMENSIONS

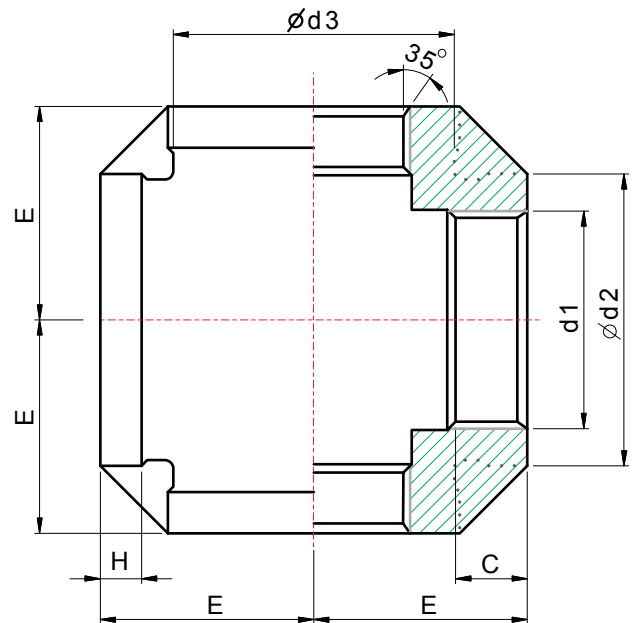
unit : inch

SIZE	d1	d2	d3	C	E	H	D1	D2	D3	C1	E1	I
1/8"	1/8"	0.59	0.47	0.28	0.71	0.20	1/8"	0.20	0.35	0.31	1.02	0.08
1/4"	1/4"	0.71	0.59	0.41	0.87	0.20	1/4"	0.24	0.47	0.43	1.22	0.08
3/8"	3/8"	0.89	0.79	0.41	0.87	0.24	3/8"	0.35	0.55	0.43	1.54	0.08
1/2"	1/2"	1.10	1.02	0.39	1.06	0.31	1/2"	0.55	0.75	0.51	1.61	0.08
3/4"	3/4"	1.42	1.30	0.47	1.30	0.35	3/4"	0.79	0.98	0.51	1.85	0.08
1"	1"	1.77	1.65	0.55	1.46	0.35	1"	0.98	1.22	0.73	2.09	0.08
1 1/4"	1 1/4"	2.05	1.97	0.67	1.73	0.43	1 1/4"	1.30	1.56	0.75	2.48	0.10
1 1/2"	1 1/2"	2.36	2.24	0.67	1.85	0.43	1 1/2"	1.57	1.83	0.75	2.72	0.10
2"	2"	2.87	2.72	0.71	2.32	0.51	2"	1.97	2.24	0.85	3.15	0.10
2 1/2"	2 1/2"	3.54	3.39	0.91	2.60	0.59	2 1/2"	2.24	2.60	0.94	4.13	0.16
3"	3"	4.17	3.98	0.94	3.09	0.65	3"	2.91	3.19	1.14	4.45	0.16
4"	4"	5.14	5.04	1.02	3.86	0.77	4"	3.82	4.17	1.34	5.12	0.16



# 150LB STANDARD PATTERN CAST FITTINGS

## +LB - CROSSES BANDED EQUAL



### DESIGN FEATURES:

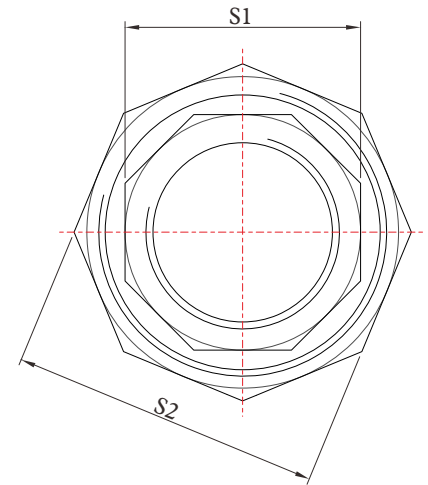
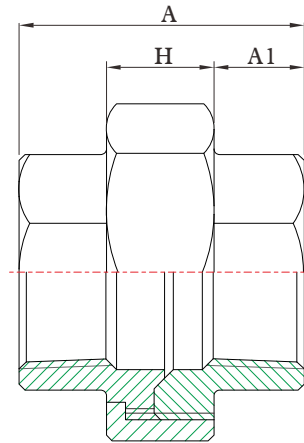
- 🔴 THREAD: NPT
- 🔴 CF8 (304) & CF8M (316)

### DIMENSIONS

unit : inch

SIZE	d1	d2	d3	C	E	H
1/8"	1/8"	0.63	0.55	0.24	0.69	0.24
1/4"	1/4"	0.79	0.71	0.37	0.75	0.28
3/8"	3/8"	0.98	0.91	0.38	0.91	0.28
1/2"	1/2"	1.18	1.10	0.39	1.14	0.28
3/4"	3/4"	1.42	1.34	0.43	1.28	0.35
1"	1"	1.77	1.65	0.55	1.48	0.39
1 1/4"	1 1/4"	2.09	1.97	0.71	1.73	0.43
1 1/2"	1 1/2"	2.36	2.20	0.71	1.89	0.47
2"	2"	2.87	2.76	0.71	2.32	0.51
2 1/2"	2 1/2"	3.54	3.39	0.87	2.68	0.55
3"	3"	4.17	4.02	0.98	3.07	0.59
4"	4"	5.20	5.04	1.02	3.82	0.63





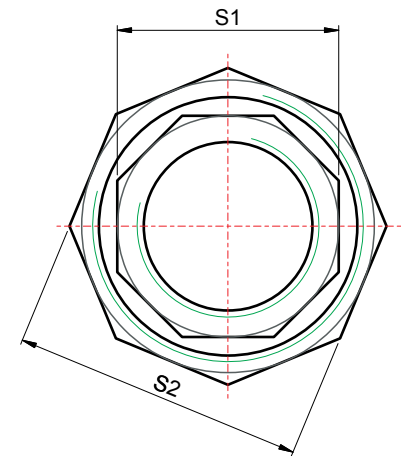
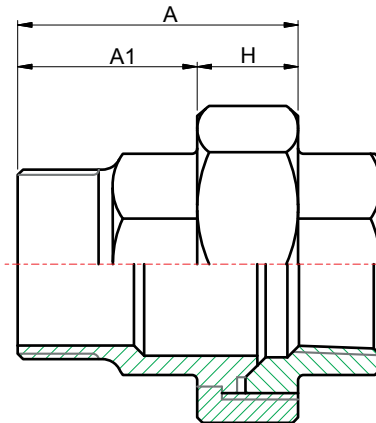
### DESIGN FEATURES:

- ☛ THREAD: NPT
- ☛ CF8 (304) & CF8M (316)

### DIMENSIONS

unit : inch

SIZE	A	A1	H	S1	S2
1/8"	1.46	0.47	0.59	0.71	1.14
1/4"	1.46	0.47	0.59	0.71	1.14
3/8"	1.54	0.47	0.63	0.91	1.42
1/2"	1.61	0.51	0.59	1.06	1.61
3/4"	1.65	0.63	0.63	1.26	1.93
1"	2.01	0.67	0.71	1.61	2.28
1-1/4"	2.05	0.63	0.83	1.97	2.68
1-1/2"	2.20	0.71	0.87	2.20	3.03
2"	2.36	0.71	0.98	2.72	3.62
2-1/2"	2.95	1.02	0.98	3.35	4.29
3"	3.50	1.18	1.14	3.90	4.92
4"	3.90	1.26	1.34	4.92	6.14



### DESIGN FEATURES:

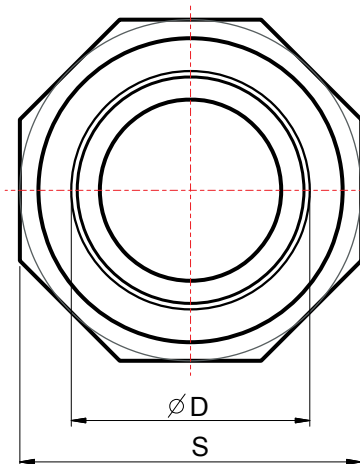
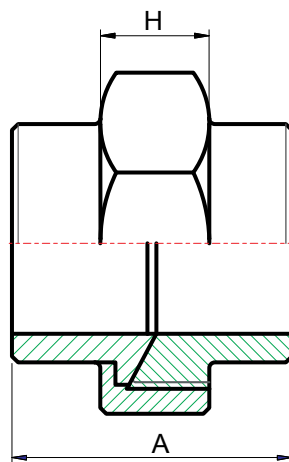
- THREAD: NPT
- CF8 (304) & CF8M (316)

### DIMENSIONS

unit : inch

SIZE	A	A1	H	S1	S2
1/8"	2.05	1.06	0.59	0.71	1.14
1/4"	2.09	1.06	0.59	0.71	1.14
3/8"	2.24	1.22	0.59	0.91	1.42
1/2"	2.44	1.34	0.59	1.06	1.61
3/4"	2.60	1.34	0.63	1.26	1.93
1"	2.83	1.54	0.71	1.61	2.28
1 1/4"	3.07	1.65	0.83	1.97	2.68
1 1/2"	3.19	1.69	0.87	2.20	3.03
2"	3.46	1.85	0.98	2.72	3.62
2 1/2"	3.94	2.01	0.98	3.35	4.29
3"	4.69	2.44	1.14	3.90	4.92
4"	5.20	2.64	1.34	4.92	6.14





### DESIGN FEATURES:

- THREAD: NPT
- CF8 (304) & CF8M (316)

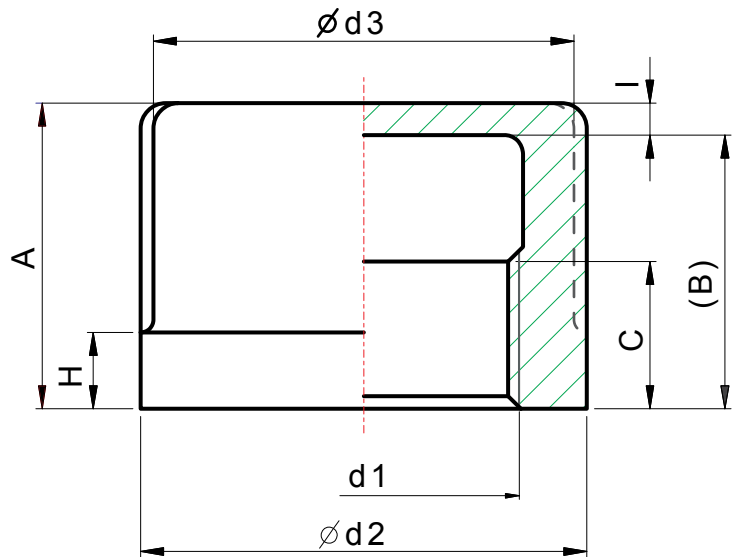
### DIMENSIONS

unit : inch

SIZE	A	D	S	H
1/4"	1.26	0.54	1.14	0.55
3/8"	1.50	0.68	1.42	0.55
1/2"	1.57	0.85	1.61	0.55
3/4"	1.85	1.07	1.93	0.55
1"	1.95	1.34	2.58	0.71
1 1/4"	2.13	1.69	2.67	0.75
1 1/2"	2.24	1.91	3.02	0.83
2"	2.36	2.39	3.60	0.94
2 1/2"	2.76	3.00	4.29	0.94
3"	3.19	3.51	4.92	1.10

# 150LB STANDARD PATTERN CAST FITTINGS

## RCB - ROUND CAPS



### DESIGN FEATURES:

- THREAD: NPT
- CF8 (304) & CF8M (316)

### DIMENSIONS

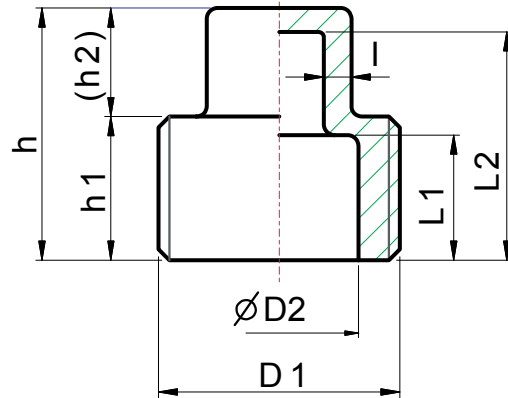
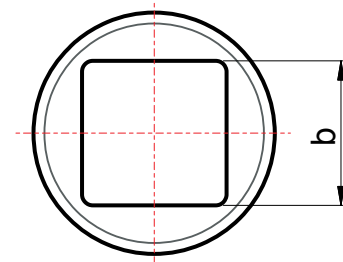
unit : inch

SIZE	d1	d2	d3	A	(B)	C	H	I
1/8"	1/8"	0.63	0.53	0.59	0.47	0.24	0.26	0.12
1/4"	1/4"	0.79	0.71	0.87	0.75	0.37	0.26	0.12
3/8"	3/8"	1.00	0.93	0.96	0.87	0.38	0.30	0.10
1/2"	1/2"	1.18	1.10	1.10	0.98	0.39	0.30	0.12
3/4"	3/4"	1.42	1.30	1.10	0.98	0.39	0.33	0.12
1"	1"	1.75	1.63	1.26	1.14	0.55	0.35	0.12
1 1/4"	1 1/4"	2.09	1.97	1.28	1.12	0.65	0.43	0.16
1 1/2"	1 1/2"	2.36	2.24	1.42	1.22	0.65	0.43	0.20
2"	2"	2.91	2.76	1.54	1.34	0.71	0.47	0.20
2 1/2"	2 1/2"	3.58	3.39	1.69	1.54	0.87	0.55	0.24
3"	3"	4.33	4.09	1.87	1.63	0.91	0.55	0.24
4"	4"	5.47	5.24	2.05	1.77	1.02	0.59	0.24



# 150LB STANDARD PATTERN CAST FITTINGS

## SPG - SQUARE HEAD PLUGS



### DESIGN FEATURES:

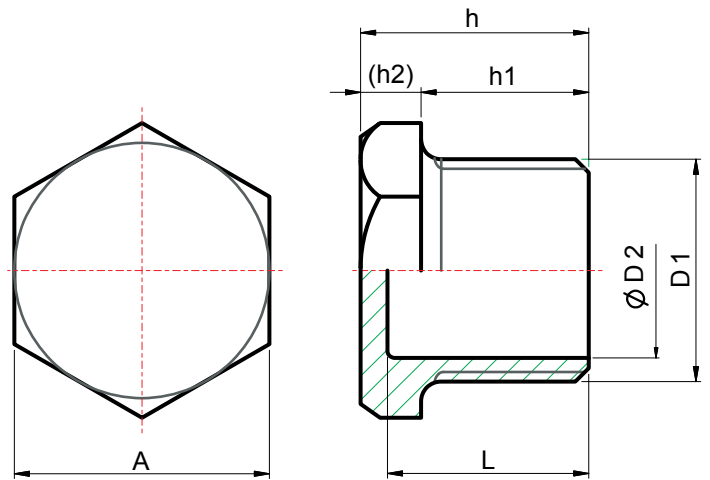
- 🔴 THREAD: NPT
- 🔴 CF8 (304) & CF8M (316)

### DIMENSIONS

unit : inch

SIZE	b	D 1	D 2	L 1	L 2	h	h 1	(h 2)	l
1/8"	0.28	1/8"	-	-	-	0.71	0.39	0.31	-
1/4"	0.35	1/4"	-	-	-	0.75	0.39	0.35	-
3/8"	0.39	3/8"	-	-	-	0.79	0.43	0.35	-
1/2"	0.51	1/2"	0.57	0.47	0.83	0.91	0.51	0.39	0.10
3/4"	0.71	3/4"	0.71	0.57	1.02	1.18	0.71	0.47	0.10
1"	0.75	1"	0.98	0.71	1.22	1.30	0.83	0.47	0.10
1 1/4"	0.91	1 1/4"	1.34	0.75	1.42	1.54	0.91	0.63	0.10
1 1/2"	1.02	1 1/2"	1.54	0.83	1.42	1.57	0.91	0.67	0.10
2"	1.14	2"	1.97	0.91	1.65	1.77	1.02	0.75	0.10
2 1/2"	1.57	2 1/2"	2.36	0.94	1.61	1.89	1.10	0.79	0.12
3"	1.73	3"	2.95	1.06	1.97	2.13	1.26	0.87	0.12
4"	2.32	4"	3.98	1.22	2.17	2.32	1.46	0.87	0.12

## HPG - HEX HEAD PLUGS



### DESIGN FEATURES:

- THREAD: NPT
- CF8 (304) & CF8M (316)

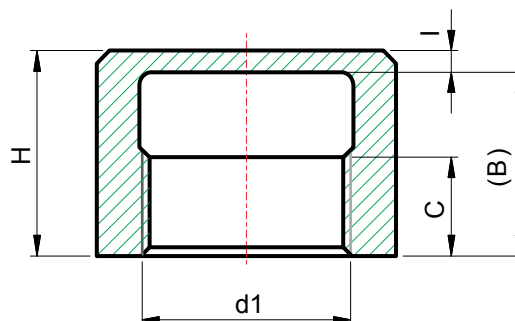
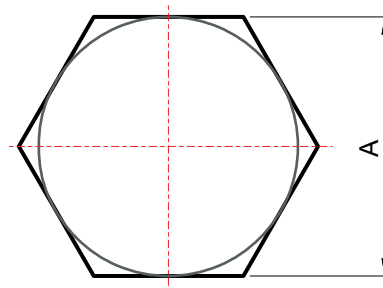
### DIMENSIONS

unit : inch

SIZE	D 1	D 2	L	A	h	h 1	(h 2)
1/8"	1/8"	—	—	0.55	0.71	0.43	0.24
1/4"	1/4"	—	—	0.67	0.91	0.67	0.24
3/8"	3/8"	0.35	0.81	0.83	0.93	0.67	0.26
1/2"	1/2"	0.57	0.98	1.02	1.10	0.79	0.31
3/4"	3/4"	0.71	0.98	1.26	1.10	0.79	0.31
1"	1"	1.02	1.18	1.50	1.34	0.98	0.35
1 1/4"	1 1/4"	1.34	1.22	1.81	1.38	0.98	0.39
1 1/2"	1 1/2"	1.52	1.30	2.05	1.42	0.98	0.43
2"	2"	1.97	1.34	2.56	1.48	1.02	0.45
2 1/2"	2 1/2"	2.36	1.38	3.15	1.57	1.10	0.47
3"	3"	2.95	1.54	3.74	1.77	1.26	0.51
4"	4"	3.94	1.77	4.72	2.01	1.46	0.55

# 150LB STANDARD PATTERN CAST FITTINGS

## HCB - HEX CAPS



### DESIGN FEATURES:

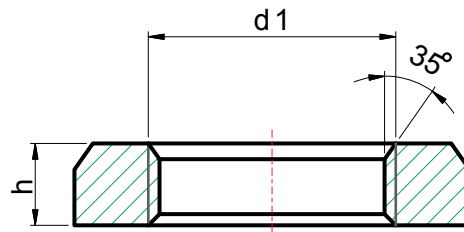
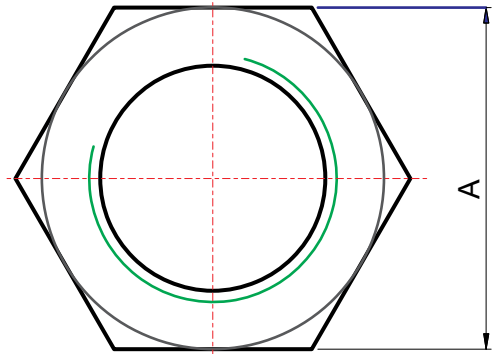
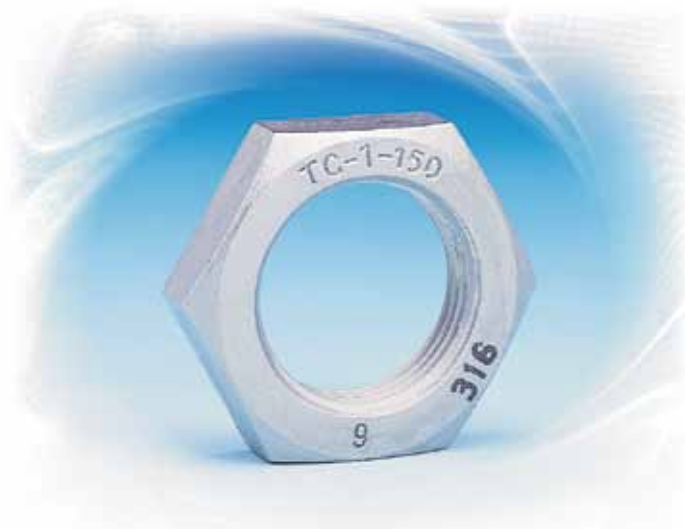
- 🔴 THREAD: NPT
- 🔴 CF8 (304) & CF8M (316)

### DIMENSIONS

unit : inch

SIZE	d1	A	(B)	C	H	I
1/8"	1/8"	0.63	0.51	0.24	0.63	0.12
1/4"	1/4"	0.71	0.67	0.37	0.79	0.12
3/8"	3/8"	0.79	0.71	0.38	0.83	0.12
1/2"	1/2"	1.02	0.77	0.39	0.89	0.12
3/4"	3/4"	1.26	0.79	0.39	0.91	0.12
1"	1"	1.54	0.91	0.53	1.02	0.12
1 1/4"	1 1/4"	1.93	0.96	0.63	1.12	0.16
1 1/2"	1 1/2"	2.17	1.10	0.67	1.26	0.16
2"	2"	2.60	1.26	0.91	1.38	0.12
2 1/2"	2 1/2"	3.35	1.42	0.91	1.65	0.24
3"	3"	3.94	1.61	0.98	1.79	0.24
4"	4"	4.92	1.93	1.02	2.17	0.24

## HNT - HEX NUTS



### DESIGN FEATURES:

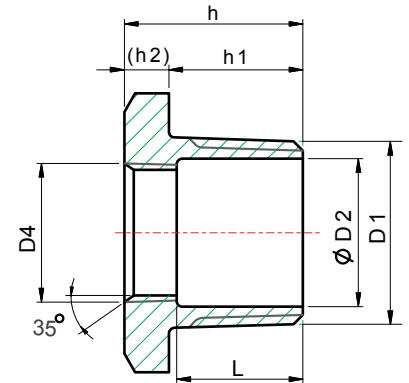
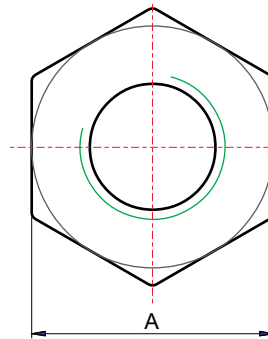
- THREAD: NPT
- CF8 (304) & CF8M (316)

### DIMENSIONS unit : inch

SIZE	d1	A	h
1/8"	1/8"	0.75	0.33
1/4"	1/4"	0.87	0.33
3/8"	3/8"	1.06	0.35
1/2"	1/2"	1.26	0.35
3/4"	3/4"	1.42	0.39
1"	1"	1.81	0.43
1 1/4"	1 1/4"	2.17	0.47
1 1/2"	1 1/2"	2.36	0.51
2"	2"	2.95	0.53
2 1/2"	2 1/2"	3.54	0.69
3"	3"	3.94	0.83
4"	4"	5.12	0.87

# 150LB STANDARD PATTERN CAST FITTINGS

## HBU - HEX BUSHINGS



### DESIGN FEATURES:

- THREAD: NPT
- CF8 (304) & CF8M (316)

### DIMENSIONS

unit : inch

SIZE	A	L	D1	D2	D4	h	h1	(h2)
1/4"x1/8"	0.67	0.59	1/4"	0.33	1/8"	0.89	0.67	0.22
3/8"x1/8"	0.87	0.59	3/8"	0.43	1/8"	0.91	0.67	0.24
3/8"x1/4"	0.87	-	3/8"	0.43	1/4"	0.91	0.67	0.24
1/2"x1/8"	1.02	0.67	1/2"	0.57	1/8"	1.00	0.79	0.22
1/2"x1/4"	1.02	0.67	1/2"	0.57	1/4"	1.00	0.79	0.22
1/2"x3/8"	1.02	-	1/2"	0.57	3/8"	1.00	0.79	0.22
3/4"x1/8"	1.26	0.69	3/4"	0.71	1/8"	1.04	0.79	0.26
3/4"x1/4"	1.26	0.69	3/4"	0.71	1/4"	1.04	0.79	0.26
3/4"x3/8"	1.26	0.69	3/4"	0.71	3/8"	1.04	0.79	0.26
3/4"x1/2"	1.26	-	3/4"	0.71	1/2"	1.04	0.79	0.26
1"x1/8"	1.50	0.96	1"	1.02	1/8"	1.32	1.00	0.31
1"x1/4"	1.50	0.96	1"	1.02	1/4"	1.32	1.00	0.31
1"x3/8"	1.50	0.96	1"	1.02	3/8"	1.32	1.00	0.31
1"x1/2"	1.50	0.87	1"	1.02	1/2"	1.32	1.00	0.31
1"x3/4"	1.50	0.81	1"	1.02	3/4"	1.32	1.00	0.31
1 1/4"x1/8"	1.81	1.02	1 1/4"	13.8	1/8"	1.34	1.02	0.31
1 1/4"x1/4"	1.81	0.96	1 1/4"	13.8	1/4"	1.34	1.02	0.31
1 1/4"x3/8"	1.81	0.96	1 1/4"	13.8	3/8"	1.34	1.02	0.31
1 1/4"x1/2"	1.81	0.91	1 1/4"	13.8	1/2"	1.34	1.02	0.31
1 1/4"x3/4"	1.81	0.83	1 1/4"	13.8	3/4"	1.34	1.02	0.31
1 1/4"x1"	1.81	0.77	1 1/4"	13.8	1"	1.34	1.02	0.31

# 150LB STANDARD PATTERN CAST FITTINGS

## HBU - HEX BUSHINGS

### DIMENSIONS

unit : inch

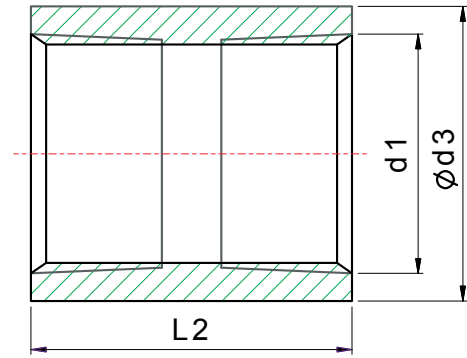
SIZE	A	L	D1	D2	D4	h	h1	(h2)
1 1/2"x1/8"	2.05	1.06	1 1/2"	1.57	1/8"	1.42	1.02	0.39
1 1/2"x1/4"	2.05	1.06	1 1/2"	1.57	1/4"	1.42	1.02	0.39
1 1/2"x3/8"	2.05	1.02	1 1/2"	1.57	3/8"	1.42	1.02	0.39
1 1/2"x1/2"	2.05	0.94	1 1/2"	1.57	1/2"	1.42	1.02	0.39
1 1/2"x3/4"	2.05	0.91	1 1/2"	1.57	3/4"	1.42	1.02	0.39
1 1/2"x1"	2.05	0.83	1 1/2"	1.57	1"	1.42	1.02	0.39
1 1/2"x1 1/4"	2.05	0.73	1 1/2"	1.57	1 1/4"	1.42	1.02	0.39
2"x1/8"	2.48	1.10	2"	2.01	1/8"	1.42	1.00	0.41
2"x1/4"	2.48	1.06	2"	2.01	1/4"	1.42	1.00	0.41
2"x3/8"	2.48	1.06	2"	2.01	3/8"	1.42	1.00	0.41
2"x1/2"	2.48	0.98	2"	2.01	1/2"	1.42	1.00	0.41
2"x3/4"	2.48	0.91	2"	2.01	3/4"	1.42	1.00	0.41
2"x1"	2.48	0.87	2"	2.01	1"	1.42	1.00	0.41
2"x1 1/4"	2.48	0.79	2"	2.01	1 1/4"	1.42	1.00	0.41
2"x1 1/2"	2.48	0.79	2"	2.01	1 1/2"	1.42	1.00	0.41
2 1/2"x1/2"	3.15	1.52	2 1/2"	2.48	1/2"	1.93	1.46	0.47
2 1/2"x3/4"	3.15	1.44	2 1/2"	2.48	3/4"	1.93	1.46	0.47
2 1/2"x1"	3.15	1.36	2 1/2"	2.48	1"	1.93	1.46	0.47
2 1/2"x1 1/4"	3.15	1.24	2 1/2"	2.48	1 1/4"	1.93	1.46	0.47
2 1/2"x1 1/2"	3.15	1.18	2 1/2"	2.48	1 1/2"	1.93	1.46	0.47
2 1/2"x2"	3.15	1.14	2 1/2"	2.48	2"	1.93	1.46	0.47
3"x1/2"	3.74	1.54	3"	3.03	1/2"	1.97	1.46	0.51
3"x3/4"	3.74	1.46	3"	3.03	3/4"	1.97	1.46	0.51
3"x1"	3.74	1.38	3"	3.03	1"	1.97	1.46	0.51
3"x1 1/4"	3.74	1.26	3"	3.03	1 1/4"	1.97	1.46	0.51
3"x1 1/2"	3.74	1.22	3"	3.03	1 1/2"	1.97	1.46	0.51
3"x2"	3.74	1.18	3"	3.03	2"	1.97	1.46	0.51
3"x2 1/2"	3.74	1.02	3"	3.03	2 1/2"	1.97	1.46	0.51
4"x1/2"	4.72	1.57	4"	3.98	1/2"	2.01	1.46	0.55
4"x3/4"	4.72	1.52	4"	3.98	3/4"	2.01	1.46	0.55
4"x1"	4.72	1.42	4"	3.98	1"	2.01	1.46	0.55
4"x1 1/4"	4.72	1.32	4"	3.98	1 1/4"	2.01	1.46	0.55
4"x1 1/2"	4.72	1.26	4"	3.98	1 1/2"	2.01	1.46	0.55
4"x2"	4.72	1.22	4"	3.98	2"	2.01	1.46	0.55
4"x2 1/2"	4.72	1.10	4"	3.98	2 1/2"	2.01	1.46	0.55
4"x3"	4.72	1.02	4"	3.98	3"	2.01	1.46	0.55



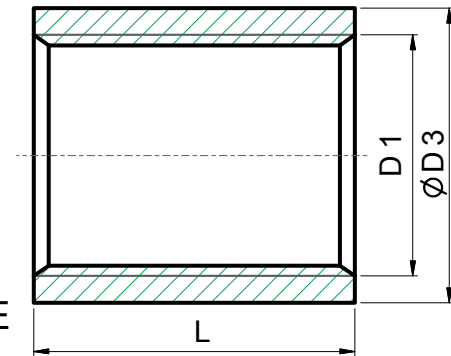


# 150LB STANDARD PATTERN CAST FITTINGS

## FCP - COUPLINGS / SOCKETS



BSPT, NPT



BSP, DIN 2999

### DESIGN FEATURES:

- ☛ THREAD: NPT
- ☛ CF8 (304) & CF8M (316)
- ☛ MADE FROM STAINLESS STEEL WELDED PIPE

### DIMENSIONS

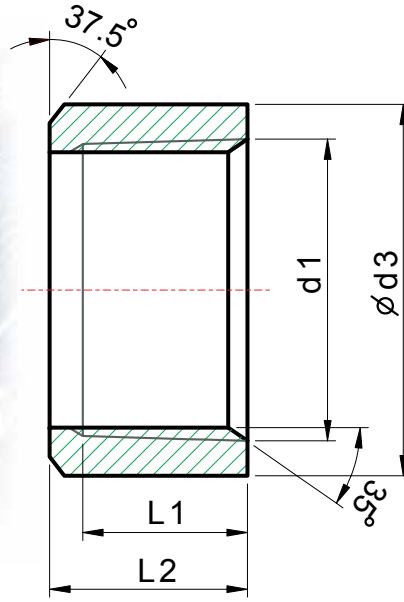
unit : inch

SIZE	d1	BSPT, NPT		D1	BSP, DIN 2999	
		d3	L2		D3	L
1/8"	1/8"	0.55	0.79	1/8"	0.55	0.79
1/4"	1/4"	0.73	1.06	1/4"	0.73	0.98
3/8"	3/8"	0.85	1.10	3/8"	0.85	1.02
1/2"	1/2"	1.04	1.42	1/2"	1.04	1.34
3/4"	3/4"	1.26	1.54	3/4"	1.26	1.42
1"	1"	1.56	1.69	1"	1.56	1.69
1 1/4"	1 1/4"	1.91	1.89	1 1/4"	1.91	1.89
1 1/2"	1 1/2"	2.15	1.89	1 1/2"	2.15	1.89
2"	2"	2.62	2.20	2"	2.62	2.20
2 1/2"	2 1/2"	3.31	2.56	2 1/2"	3.31	2.56
3"	3"	3.94	2.80	3"	3.74	2.80
4"	4"	5.08	3.27	4"	4.80	3.27
5"	5"	6.36	3.54	-	-	-
6"	6"	7.28	3.96	-	-	-

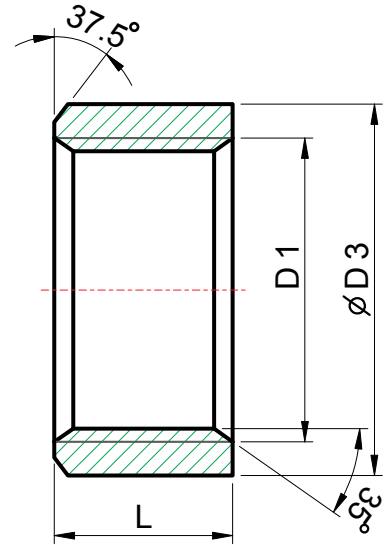


# 150LB STANDARD PATTERN CAST FITTINGS

## HCP - HALF COUPLINGS / HALF SOCKETS



BSPT, NPT



BSP, DIN 2999

### DESIGN FEATURES:

- 🔴 THREAD: NPT
- 🔴 CF8 (304) & CF8M (316)
- 🔴 MADE FROM STAINLESS STEEL WELDED PIPE

### DIMENSIONS

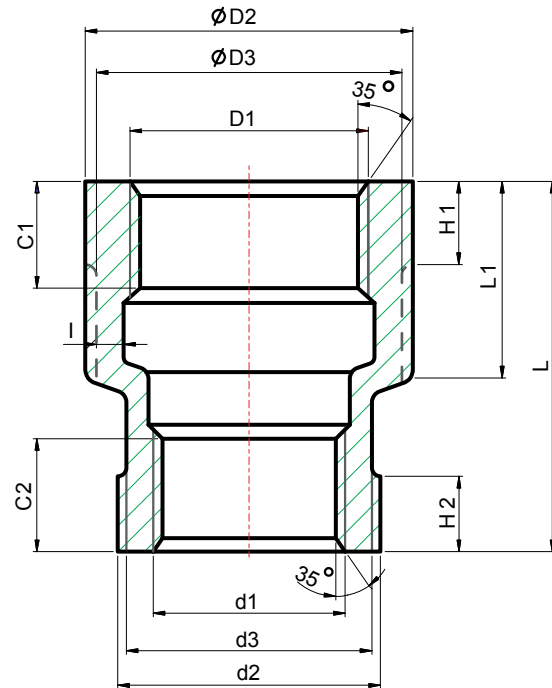
unit : inch

SIZE	d1	BSPT, NPT		D1	BSP, DIN 2999	
		d3	L2		D3	L
1/8"	1/8"	0.56	0.43	1/8"	0.55	0.43
1/4"	1/4"	0.73	0.51	1/4"	0.73	0.43
3/8"	3/8"	0.85	0.55	3/8"	0.85	0.47
1/2"	1/2"	1.04	0.71	1/2"	1.04	0.59
3/4"	3/4"	1.26	0.79	3/4"	1.26	0.67
1"	1"	1.56	0.83	1"	1.56	0.75
1 1/4"	1 1/4"	1.91	0.94	1 1/4"	1.91	0.87
1 1/2"	1 1/2"	2.15	0.94	1 1/2"	2.15	0.87
2"	2"	2.62	1.10	2"	2.62	1.02
2 1/2"	2 1/2"	3.31	1.30	2 1/2"	3.23	1.18
3"	3"	3.94	1.42	3"	3.74	1.30
4"	4"	5.08	1.65	4"	4.80	1.57



# 150LB STANDARD PATTERN CAST FITTINGS

## RSB - REDUCING COUPLINGS



### DESIGN FEATURES:

- 🔴 THREAD: NPT
- 🔴 CF8 (304) & CF8M (316).

### DIMENSIONS

unit : inch

SIZE	D1	D2	D3	C1	H1	d1	d2	d3	C2	H2	L1	L	I
1/4"x1/8"	1/4"	0.79	0.71	0.31	0.24	1/8"	0.63	0.55	0.43	0.28	0.63	1.12	0.12
3/8"x1/8"	3/8"	1.00	0.91	0.37	0.28	1/8"	0.63	0.55	0.47	0.24	0.91	1.61	0.12
3/8"x1/4"	3/8"	1.00	0.91	0.38	0.28	1/4"	0.79	0.71	0.51	0.24	0.91	1.61	0.12
1/2"x1/8"	1/2"	1.18	1.10	0.39	0.31	1/8"	0.63	0.55	0.35	0.28	0.94	1.77	0.10
1/2"x1/4"	1/2"	1.18	1.10	0.39	0.31	1/4"	0.79	0.71	0.49	0.28	0.94	1.77	0.10
1/2"x3/8"	1/2"	1.18	1.10	0.39	0.31	3/8"	1.00	0.91	0.39	0.31	0.94	1.77	0.10
3/4"x1/8"	3/4"	1.42	1.30	0.39	0.35	1/8"	0.63	0.55	0.43	0.31	0.87	1.77	0.12
3/4"x1/4"	3/4"	1.42	1.30	0.39	0.35	1/4"	0.79	0.71	0.43	0.31	1.02	1.77	0.12
3/4"x3/8"	3/4"	1.42	1.30	0.39	0.35	3/8"	1.00	0.91	0.59	0.31	0.98	1.77	0.12
3/4"x1/2"	3/4"	1.42	1.30	0.39	0.35	1/2"	1.18	1.10	0.59	0.31	0.98	1.77	0.12
1"x1/8"	1"	1.77	1.65	0.55	0.35	1/8"	0.63	0.55	0.47	0.31	1.02	1.97	0.12
1"x1/4"	1"	1.77	1.65	0.55	0.43	1/4"	0.79	0.71	0.47	0.31	1.10	1.97	0.12
1"x3/8"	1"	1.77	1.65	0.55	0.43	3/8"	1.00	0.91	0.51	0.31	1.10	1.97	0.12
1"x1/2"	1"	1.77	1.65	0.55	0.43	1/2"	1.18	1.10	0.51	0.35	1.14	1.97	0.12
1"x3/4"	1"	1.77	1.65	0.55	0.43	3/4"	1.42	1.30	0.55	0.43	1.10	1.97	0.12
1 1/4"x1/4"	1 1/4"	2.09	1.97	0.71	0.43	1/4"	0.79	0.71	0.59	0.24	1.14	1.97	0.14
1 1/4"x3/8"	1 1/4"	2.09	1.97	0.71	0.43	3/8"	1.00	0.91	0.47	0.31	1.14	1.97	0.14
1 1/4"x1/2"	1 1/4"	2.09	1.97	0.63	0.43	1/2"	1.18	1.10	0.51	0.39	1.18	1.97	0.14
1 1/4"x3/4"	1 1/4"	2.09	1.97	0.63	0.47	3/4"	1.42	1.30	0.51	0.39	1.18	1.97	0.14
1 1/4"x1"	1 1/4"	2.09	1.97	0.63	0.47	1"	1.77	1.61	0.71	0.43	1.18	1.97	0.14



# 150LB STANDARD PATTERN CAST FITTINGS

## RSB - REDUCING COUPLINGS

### DIMENSIONS

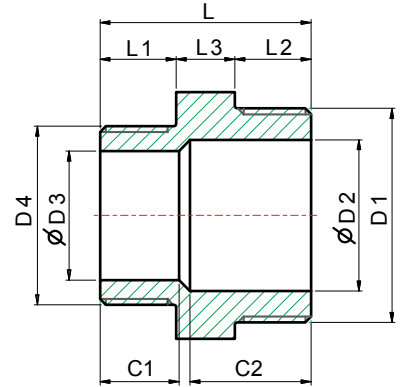
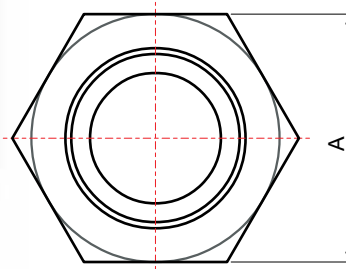
unit : inch

SIZE	D1	D2	D3	C1	H1	d1	d2	d3	C2	H2	L1	L	I
1 1/2"x1/4"	1 1/2"	2.36	2.22	0.71	0.47	1/4"	0.79	0.71	0.71	0.24	1.22	2.24	0.14
1 1/2"x3/8"	1 1/2"	2.36	2.22	0.71	0.47	3/8"	1.00	0.91	0.71	0.31	1.22	2.24	0.14
1 1/2"x1/2"	1 1/2"	2.36	2.22	0.63	0.47	1/2"	1.18	1.10	0.57	0.35	1.22	2.24	0.14
1 1/2"x3/4"	1 1/2"	2.36	2.22	0.63	0.47	3/4"	1.42	1.30	0.61	0.39	1.22	2.24	0.14
1 1/2"x1"	1 1/2"	2.36	2.22	0.63	0.47	1"	1.77	1.61	0.67	0.43	1.22	2.24	0.14
1 1/2"x1 1/4"	1 1/2"	2.36	2.22	0.71	0.47	1 1/4"	2.09	1.97	0.67	0.47	1.22	2.24	0.14
2"x1/4"	2"	2.91	2.76	0.71	0.51	1/4"	0.79	0.71	0.63	0.20	1.50	2.64	0.16
2"x3/8"	2"	2.91	2.76	0.71	0.51	3/8"	1.00	0.91	0.51	0.31	1.50	2.64	0.16
2"x1/2"	2"	2.91	2.76	0.71	0.51	1/2"	1.18	1.10	0.59	0.35	1.50	2.64	0.16
2"x3/4"	2"	2.91	2.76	0.71	0.51	3/4"	1.42	1.30	0.69	0.39	1.50	2.64	0.16
2"x1"	2"	2.91	2.76	0.63	0.51	1"	1.77	1.61	0.67	0.43	1.50	2.64	0.16
2"x1 1/4"	2"	2.91	2.76	0.71	0.51	1 1/4"	2.09	1.97	0.67	0.47	1.50	2.64	0.16
2"x1 1/2"	2"	2.91	2.76	0.71	0.55	1 1/2"	2.36	2.22	0.59	0.47	1.57	2.64	0.16
2 1/2"x3/4"	2 1/2"	3.54	3.39	0.91	0.55	3/4"	1.42	1.30	0.75	0.35	1.69	2.99	0.26
2 1/2"x1"	2 1/2"	3.54	3.39	0.91	0.55	1"	1.77	1.61	0.75	0.43	1.69	2.99	0.26
2 1/2"x1 1/4"	2 1/2"	3.54	3.39	0.91	0.55	1 1/4"	2.09	1.97	0.87	0.47	1.69	2.99	0.26
2 1/2"x1 1/2"	2 1/2"	3.54	3.39	0.91	0.59	1 1/2"	2.36	2.22	0.91	0.47	1.69	2.99	0.26
2 1/2"x2"	2 1/2"	3.54	3.39	0.91	0.55	2"	2.91	2.76	0.87	0.55	1.69	2.99	0.26
3"x1/2"	-	-	-	-	-	-	-	-	-	-	-	-	-
3"x3/4"	3"	4.29	4.09	0.94	0.59	3/4"	1.42	1.30	0.55	0.39	1.93	3.35	0.26
3"x1"	3"	4.29	4.09	0.94	0.59	1"	1.77	1.61	0.63	0.43	1.93	3.31	0.26
3"x1 1/4"	3"	4.29	4.09	0.94	0.59	1 1/4"	2.09	1.97	0.75	0.47	1.93	3.31	0.26
3"x1 1/2"	3"	4.29	4.09	0.94	0.63	1 1/2"	2.36	2.22	0.79	0.51	1.93	3.35	0.26
3"x2"	3"	4.29	4.09	0.94	0.59	2"	2.91	2.76	0.79	0.51	1.69	3.31	0.26
3"x2 1/2"	3"	4.29	4.09	0.94	0.59	2 1/2"	3.54	3.39	1.02	0.65	1.93	3.27	0.26
4"x1"	4"	5.43	5.20	0.98	0.63	1"	1.77	1.61	0.94	0.43	2.17	3.82	0.26
4"x1 1/4"	4"	5.43	5.20	0.98	0.63	1 1/4"	2.09	1.97	0.87	0.47	2.09	3.74	0.26
4"x1 1/2"	4"	5.43	5.20	0.98	0.63	1 1/2"	2.36	2.22	0.94	0.51	2.09	3.74	0.26
4"x2"	4"	5.43	5.20	0.98	0.63	2"	2.91	2.76	0.94	0.55	2.09	3.82	0.26
4"x2 1/2"	4"	5.43	5.20	0.98	0.63	2 1/2"	3.54	3.39	1.14	0.59	2.09	3.78	0.26
4"x3"	4"	5.43	5.20	0.98	0.67	3"	4.29	4.09	0.98	0.63	2.17	3.86	0.26



# NIPPLES

## RNP - REDUCING HEX NIPPLE



### DESIGN FEATURES:

- 🔴 THREAD: NPT
- 🔴 CF8 (304) & CF8M (316).

### DIMENSIONS

unit : inch

SIZE	A	D1	D2	D3	D4	C1	C2	L	L1	L2	L3
1/4"x1/8"	0.67	1/4"	0.33	0.20	1/8"	0.47	0.71	1.24	0.43	0.47	0.33
3/8"x1/8"	0.83	3/8"	0.41	0.20	1/8"	0.43	0.83	1.38	0.43	0.51	0.39
3/8"x1/4"	0.83	3/8"	0.41	0.33	1/4"	0.55	0.79	1.38	0.47	0.51	0.39
1/2"x1/8"	1.02	1/2"	0.57	0.20	1/8"	0.47	0.83	1.54	0.47	0.67	0.39
1/2"x1/4"	1.02	1/2"	0.57	0.33	1/4"	0.47	0.87	1.54	0.47	0.67	0.39
1/2"x3/8"	1.02	1/2"	0.57	0.41	3/8"	0.59	0.87	1.54	0.51	0.63	0.39
3/4"x1/8"	1.26	3/4"	0.79	0.20	1/8"	0.47	1.06	1.61	0.41	0.75	0.45
3/4"x1/4"	1.26	3/4"	0.79	0.33	1/4"	0.59	1.02	1.65	0.47	0.75	0.45
3/4"x3/8"	1.26	3/4"	0.79	0.41	3/8"	0.47	0.98	1.65	0.47	0.75	0.45
3/4"x1/2"	1.26	3/4"	0.79	0.57	1/2"	0.67	0.98	1.77	0.59	0.75	0.45
1"x1/4"	1.50	1"	1.00	0.33	1/4"	0.59	1.10	1.79	0.53	0.79	0.47
1"x3/8"	1.50	1"	1.00	0.41	3/8"	0.59	1.10	1.77	0.51	0.79	0.47
1"x1/2"	1.50	1"	1.00	0.57	1/2"	0.71	1.10	1.89	0.63	0.79	0.47
1"x3/4"	1.50	1"	1.00	0.79	3/4"	0.79	1.14	2.01	0.75	0.79	0.47
1 1/4"x1/4"	1.81	1 1/4"	1.34	0.33	1/4"	0.59	1.14	1.85	0.55	0.83	0.47
1 1/4"x3/8"	1.81	1 1/4"	1.34	0.41	3/8"	0.71	1.18	1.93	0.55	0.91	0.47
1 1/4"x1/2"	1.81	1 1/4"	1.34	0.57	1/2"	0.71	1.18	2.01	0.55	0.87	0.47
1 1/4"x3/4"	1.81	1 1/4"	1.34	0.79	3/4"	0.75	1.26	2.17	0.75	0.94	0.47
1 1/4"x1"	1.81	1 1/4"	1.34	1.00	1"	0.87	1.14	2.13	0.79	0.87	0.47



# NIPPLES

## RNP - REDUCING HEX NIPPLE

### DIMENSIONS

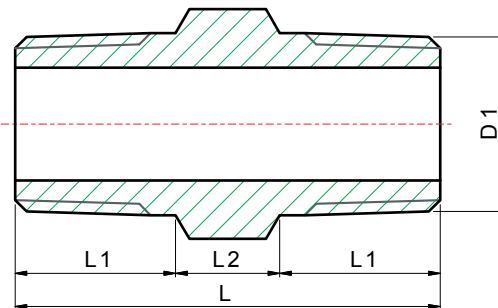
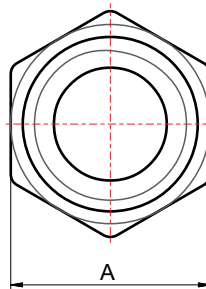
unit : inch

SIZE	A	D1	D2	D3	D4	C1	C2	L	L1	L2	L3
1 1/2"x1/4"	2.13	1 1/2"	1.54	0.33	1/4"	0.59	1.22	1.89	0.49	0.89	0.51
1 1/2"x3/8"	2.13	1 1/2"	1.54	0.41	3/8"	0.59	1.22	1.89	0.49	0.89	0.51
1 1/2"x1/2"	2.13	1 1/2"	1.54	0.57	1/2"	0.67	1.26	1.97	0.57	0.89	0.51
1 1/2"x3/4"	2.13	1 1/2"	1.54	0.79	3/4"	0.83	1.22	2.09	0.69	0.89	0.51
1 1/2"x1"	2.13	1 1/2"	1.54	1.00	1"	0.94	1.14	2.13	0.77	0.85	0.51
1 1/2"x1 1/4"	2.13	1 1/2"	1.54	1.34	1 1/4"	0.98	1.14	2.28	0.89	0.89	0.51
2"x1/4"	2.48	2"	2.01	0.33	1/4"	0.63	1.46	2.17	0.51	1.02	0.63
2"x3/8"	2.48	2"	2.01	0.41	3/8"	0.67	1.46	2.24	0.59	1.02	0.63
2"x1/2"	2.48	2"	2.01	0.57	1/2"	0.71	1.46	2.28	0.67	0.98	0.63
2"x3/4"	2.48	2"	2.01	0.79	3/4"	0.71	1.42	2.36	0.71	1.02	0.63
2"x1"	2.48	2"	2.01	1.00	1"	0.87	1.42	2.44	0.79	1.02	0.63
2"x1 1/4"	2.48	2"	2.01	1.34	1 1/4"	0.91	1.46	2.48	0.83	1.02	0.63
2"x1 1/2"	2.48	2"	2.01	1.54	1 1/2"	0.98	1.46	2.56	0.91	1.02	0.63
2 1/2"x1/2"	3.15	2 1/2"	2.52	0.57	1/2"	0.79	1.54	2.44	0.63	1.18	0.63
2 1/2"x3/4"	3.15	2 1/2"	2.52	0.79	3/4"	0.87	1.50	2.48	0.71	1.14	0.63
2 1/2"x1"	3.15	2 1/2"	2.52	1.00	1"	0.94	1.50	2.56	0.79	1.14	0.63
2 1/2"x1 1/4"	3.15	2 1/2"	2.52	1.34	1 1/4"	1.02	1.46	2.64	0.87	1.14	0.63
2 1/2"x1 1/2"	3.15	2 1/2"	2.52	1.54	1 1/2"	1.06	1.50	2.68	0.91	1.14	0.63
2 1/2"x2"	3.15	2 1/2"	2.52	2.01	2"	1.10	1.46	2.72	0.98	1.10	0.63
3"x1/2"	3.74	3"	2.99	0.57	1/2"	1.04	1.65	2.60	0.63	1.30	0.67
3"x3/4"	3.74	3"	2.99	0.79	3/4"	0.87	1.69	2.83	0.91	1.26	0.67
3"x1"	3.74	3"	2.99	1.00	1"	0.94	1.69	2.76	0.79	1.30	0.67
3"x1 1/4"	3.74	3"	2.99	1.34	1 1/4"	1.02	1.69	2.83	0.87	1.30	0.67
3"x1 1/2"	3.74	3"	2.99	1.54	1 1/2"	1.06	1.69	2.87	0.91	1.30	0.67
3"x2"	3.74	3"	2.99	2.01	2"	1.14	1.69	2.95	0.98	1.30	0.67
3"x2 1/2"	3.74	3"	2.99	2.52	2 1/2"	1.22	1.69	3.03	1.06	1.30	0.67
4"x3/4"	4.72	4"	4.02	0.79	3/4"	0.87	1.89	2.87	0.71	1.50	0.67
4"x1"	4.72	4"	4.02	1.00	1"	0.98	1.89	2.95	0.79	1.50	0.67
4"x1 1/4"	4.72	4"	4.02	1.34	1 1/4"	0.98	1.89	2.99	0.83	1.50	0.67
4"x1 1/2"	4.72	4"	4.02	1.54	1 1/2"	1.18	1.89	3.19	1.02	1.50	0.67
4"x2"	4.72	4"	4.02	2.01	2"	1.14	1.89	3.15	0.98	1.50	0.67
4"x2 1/2"	4.72	4"	4.02	2.52	2 1/2"	1.26	1.89	3.27	1.10	1.50	0.67
4"x3"	4.72	4"	4.02	3.03	3"	1.42	1.89	3.43	1.26	1.50	0.67



# NIPPLES

## HNP - HEX NIPPLE



### DESIGN FEATURES:

- ☛ THREAD: NPT
- ☛ CF8 (304) & CF8M (316).

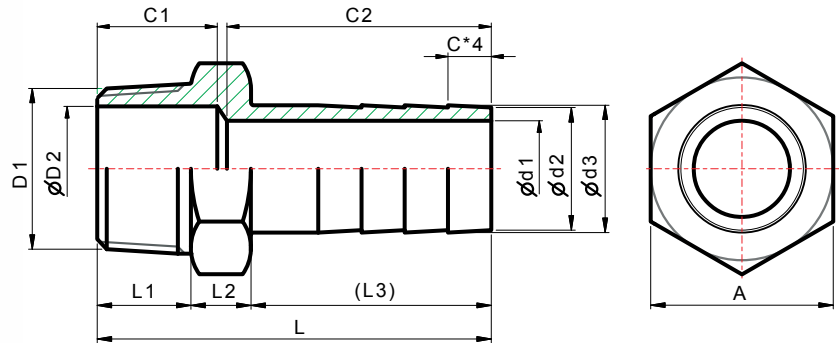
### DIMENSIONS

unit : inch

SIZE	D 1	A	L	L 1	L 2
1/8"	1/8"	0.51	1.22	0.47	0.28
1/4"	1/4"	0.59	1.30	0.51	0.28
3/8"	3/8"	0.79	1.65	0.67	0.31
1/2"	1/2"	0.91	1.97	0.79	0.39
3/4"	3/4"	1.14	2.01	0.79	0.43
1"	1"	1.42	2.48	1.00	0.47
1 1/4"	1 1/4"	1.81	2.32	0.93	0.47
1 1/2"	1 1/2"	2.01	2.52	0.98	0.55
2"	2"	2.48	2.68	1.06	0.55
2 1/2"	2 1/2"	3.15	2.87	1.10	0.67
3"	3"	3.74	3.39	1.34	0.71
4"	4"	4.72	3.54	1.42	0.71

# NIPPLES

## ONP - HOSE NIPPLE



### DESIGN FEATURES:

- 🔴 THREAD: NPT
- 🔴 CF8 (304) & CF8M (316)
- 🔴 2 1/2" NPT THREADED IS NOT AVAILABLE
- 🔴 INCLUDING CF8 (304) ALL THREADS & CF8M (316) NPT THREAD

### DIMENSIONS

unit : inch

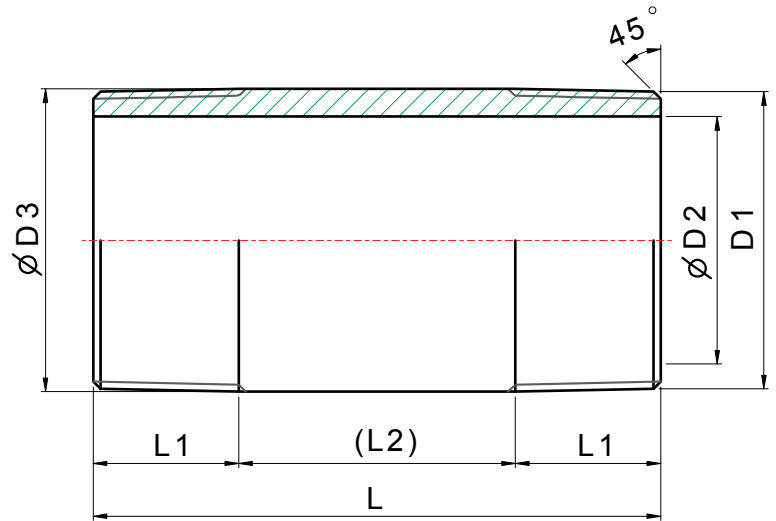
SIZE	A	D1	D2	C	C1	C2	L	L1	L2	(L3)	d1	d2	d3
1/4"	0.63	1/4"	0.26	0.16	0.67	1.10	1.83	0.51	0.39	0.93	0.20	0.31	0.35
3/8"	0.75	3/8"	0.37	0.22	0.71	1.30	2.24	0.51	0.39	1.12	0.26	0.39	0.43
1/2"	0.98	1/2"	0.57	0.26	0.75	1.61	2.46	0.61	0.39	1.46	0.57	0.53	0.57
3/4"	1.22	3/4"	0.71	0.33	0.91	1.89	2.85	0.71	0.45	1.69	0.57	0.77	0.81
1"	1.50	1"	1.02	0.35	0.98	2.17	3.23	0.77	0.49	1.97	0.79	1.00	1.05
1 1/4"	1.81	1 1/4"	1.38	0.37	1.10	1.89	3.15	0.89	0.49	2.09	1.06	1.28	1.34
1 1/2"	2.05	1 1/2"	1.57	0.41	1.22	2.28	3.64	0.91	0.53	2.20	1.30	1.52	1.59
2"	2.56	2"	2.03	0.51	1.30	2.91	4.31	0.96	0.59	2.76	1.77	1.99	2.07
2 1/2"	3.15	2 1/2"	2.64	0.63	1.46	3.74	5.35	1.06	0.63	3.66	2.08	2.44	2.52
3"	3.78	3"	3.07	0.67	1.69	3.94	5.79	1.30	0.67	3.82	2.76	2.95	3.07
4"	4.72	4"	4.02	0.83	1.89	4.13	6.22	1.42	0.71	4.09	3.54	3.98	4.09





# NIPPLES

## PNP - PIPE NIPPLE



### DESIGN FEATURES:

- ☛ THREAD: NPT
- ☛ STOCK SCH40 & SCH80
- ☛ T.O.E. odd length and other schedule nipple can be made upon request.

### STAINLESS STEEL NIPPLE TYPE A/SA312 NIPPLE

DIA. (INCH)	LENGTH (INCH)																
	CLOSE	1.5"	2"	2.5"	3"	3.5"	4"	4.5"	5"	5.5"	6"	7"	8"	9"	10"	11"	12"
1/8"	X	X	X	X	X	X	X	X	X	X	X	X	X	X	X	X	X
1/4"	X	X	X	X	X	X	X	X	X	X	X	X	X	X	X	X	X
3/8"	X	X	X	X	X	X	X	X	X	X	X	X	X	X	X	X	X
1/2"	X	X	X	X	X	X	X	X	X	X	X	X	X	X	X	X	X
3/4"	X	X	X	X	X	X	X	X	X	X	X	X	X	X	X	X	X
1"	X		X	X	X	X	X	X	X	X	X	X	X	X	X	X	X
1 1/4"	X		X	X	X	X	X	X	X	X	X	X	X	X	X	X	X
1 1/2"	X		X	X	X	X	X	X	X	X	X	X	X	X	X	X	X
2"	X			X	X	X	X	X	X	X	X	X	X	X	X	X	X
2 1/2"	X				X	X	X	X	X	X	X	X	X	X	X	X	X
3"	X				X	X	X	X	X	X	X	X	X	X	X	X	X
4"	X						X	X	X	X	X	X	X	X	X	X	X

x-stocking size

# 150LB STANDARD PATTERN CAST FITTINGS

## STANDARD PACKING QUALITY FOR EACH CARTON WEIGHT LIST

unit: pcs

ITEM	1/8"	1/4"	3/8"	1/2"	3/4"	1"	1-1/4"	1-1/2"	2"	2-1/2"	3"	4"
90 ELBOWS BANDED EQUAL (9LB)	400	400	250	125	75	40	25	18	10	5	4	1
TEES BANDED EQUAL (TEB)	* 200	250	125	75	50	30	16	14	8	4	3	1
45 ELBOWS BANDED EQUAL (4LB)	550	400	250	125	75	50	30	20	12	6	4	2
STREET ELBOWS 90° BANDED (SLB)	600	400	250	150	75	40	25	18	10	6	4	1
CROSSES BANDED EQUAL (+LB)	250	150	100	50	40	20	14	12	6	3	2	1
UNIONS F/F (UCF)	200	175	125	75	50	30	25	18	10	6	4	2
UNIONS M/F (UCM)	200	150	100	80	50	30	18	15	8	4	2	1
UNIONS B/W (UCB)	-	175	125	75	50	30	25	18	10	6	4	-
ROUND CAPS (RCB)	1,000	600	400	250	150	100	60	50	30	18	12	6
SQUARE HEAD PLUGS (SPG)	* 900	* 800	600	600	250	175	100	60	60	24	20	8
HEX HEAD PLUGS (HPG)	1,000	750	600	350	200	120	70	60	30	18	12	5
HEX CAPS (HCB)	1,000	600	400	250	150	100	60	50	30	18	12	6
HEX NUTS (HNT)	1,000	1,000	600	500	300	200	150	120	50	40	25	15
HEX BUSHINGS (HBU)	-	900	650	350	225	125	90	64	40	24	12	6
REDUCING HEX NIPPLE (RNP)	-	500	350	250	150	80	60	36	18	12	6	4
HEX NIPPLE (HNP)	* 600	500	350	200	125	70	45	36	20	12	6	4
HOSE NIPPLE (ONP)	-	500	350	200	100	60	40	30	16	9	5	2
COUPLINGS/SOCKETS (FCP)	800	500	400	200	125	80	60	48	24	12	8	4
COUPLINGS/SOCKETS (HCP)	1,200	1,000	800	400	250	150	120	90	48	24	16	8
REDUCING COUPLINGS (RSB)	-	500	250	150	100	50	36	30	18	10	8	3
BARREL NIPPLE (BNP)	* 500	600	400	175	125	80	50	30	18	12	5	3
WELDING NIPPLE (WNP)	* 600	600	500	300	175	120	80	60	36	18	10	6

SIZE OF CARTON : 1). 1in x 0.67in x 0.87in  
 \*2). 1in x 0.67in x 0.47in



# 150LB STANDARD PATTERN CAST FITTINGS

## WEIGHT LIST

unit: lb / pc

ITEM	SIZE	1/8"	1/4"	3/8"	1/2"	3/4"	1"	1-1/4"	1-1/2"	2"	2-1/2"	3"	4"
90 ELBOWS BANDED EQUAL (9LB)		0.059	0.081	0.130	0.216	0.286	0.544	0.749	1.044	1.502	3.220	4.465	6.938
TEES BANDED EQUAL (TEB)		0.097	0.117	0.181	0.295	0.407	0.711	1.013	1.410	2.026	4.659	6.396	8.903
45 ELBOWS BANDED EQUAL (4LB)		0.075	0.079	0.106	0.242	0.348	0.509	0.617	0.938	1.295	2.934	3.877	5.626
STREET ELBOWS 90 BANDED (SLB)		0.046	0.077	0.126	0.203	0.335	0.524	0.837	1.018	1.681	3.099	4.026	6.696
CROSSES BANDED EQUAL (+LB)		0.123	0.174	0.335	0.463	0.661	1.073	1.542	2.007	3.198	5.764	7.291	11.573
UNIONS F/F (UCF)		0.233	0.194	0.304	0.374	0.555	0.881	1.225	1.555	2.427	3.888	5.077	8.189
UNIONS M/F (UCM)		0.242	0.236	0.328	0.421	0.615	0.919	1.295	1.685	2.639	4.405	6.068	9.471
UNIONS B/W (UCB)		-	0.194	0.304	0.374	0.555	0.881	1.225	1.555	2.427	3.888	5.077	8.189
ROUND CAPS (RCB)		0.033	0.064	0.121	0.161	0.209	0.352	0.476	0.599	1.011	1.579	2.630	4.427
SQUARE HEAD PLUGS (SPG)		0.018	0.033	0.055	0.055	0.132	0.163	0.278	0.363	0.599	0.874	1.280	1.980
HEX HEAD PLUGS (HPG)		0.033	0.059	0.077	0.115	0.187	0.267	0.383	0.537	0.815	1.467	2.117	3.084
HEX CAPS (HCB)		0.040	0.062	0.066	0.117	0.176	0.256	0.445	0.546	0.808	1.800	2.595	4.167
HEX NUTS (HNT)		0.033	0.042	0.064	0.088	0.101	0.189	0.269	0.313	0.507	0.819	0.967	1.709
HEX BUSHINGS (HBU)		-	0.035	0.064	0.101	0.167	0.275	0.388	0.537	0.883	1.463	2.286	4.126
REDUCING HEX NIPPLE (RNP)		-	0.048	0.086	0.137	0.211	0.311	0.445	0.630	0.872	1.566	2.207	3.326
HEX NIPPLE (HNP)		0.033	0.055	0.097	0.148	0.211	0.374	0.511	0.665	0.894	1.683	2.128	2.916
HOSE NIPPLE (ONP)		-	0.068	0.106	0.170	0.302	0.465	0.588	0.808	1.335	2.233	3.194	5.496
COUPLINGS/SOCKETS (FCP)		0.029	0.070	0.077	0.156	0.211	0.359	0.498	0.588	0.835	2.059	2.747	5.280
COUPLINGS/SOCKETS (HCP)		0.018	0.033	0.040	0.077	0.110	0.172	0.244	0.291	0.403	1.020	1.401	2.590
REDUCING COUPLINGS (RSB)		-	0.073	0.156	0.218	0.302	0.471	0.678	0.844	1.289	2.401	3.736	5.910
BARREL NIPPLE (BNP)		0.017	0.029	0.038	0.083	0.111	0.164	0.292	0.347	0.579	0.921	1.454	2.071
WELDING NIPPLE (WNP)		0.013	0.023	0.030	0.051	0.076	0.112	0.189	0.225	0.303	0.568	0.862	1.381

