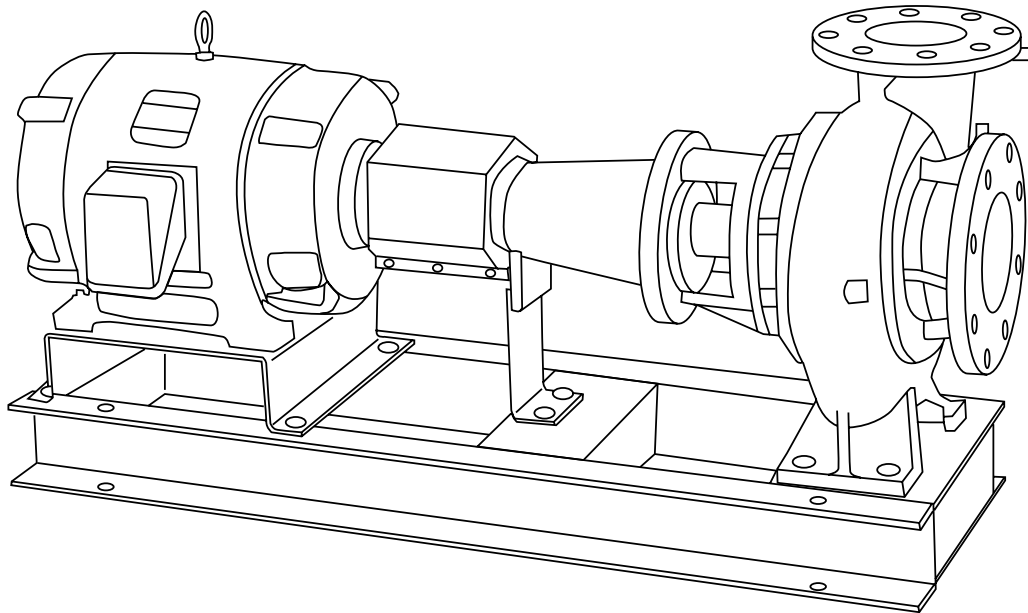


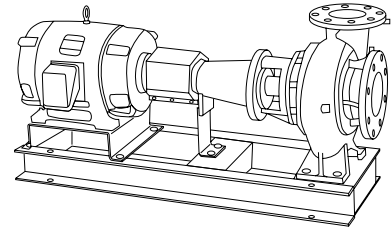
Bell & Gossett®
Parts List CP-206E-PL



SERIES 1510

Replacement Parts for
Series 1510
Stuffing Box Type
Centrifugal Pumps

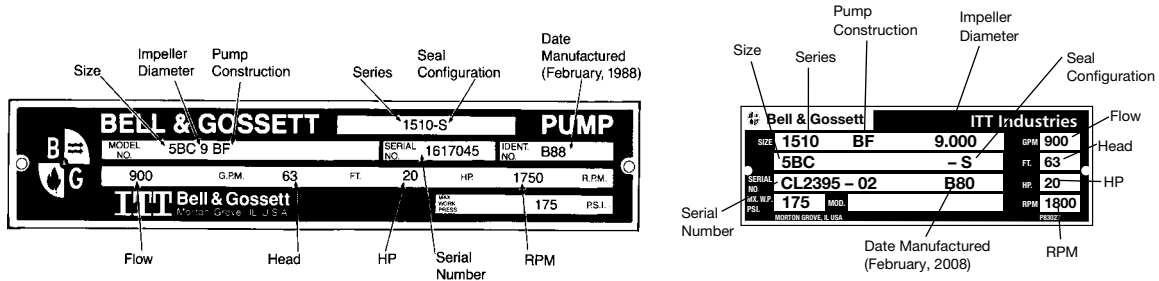
Index



How To Use This Parts List	3
Series 1510 Stuffing Box Exploded View	4
Series 1510 Bearing Frame Assembly Exploded View.....	5
Series 1510 8G Stuffing Box Exploded View	6
Series 1510 Pump Bearing Frame Selection Chart.....	7
Size 1 ¹ / ₄ AB Pump Parts	8
Size 1 ¹ / ₄ AC Pump Parts	9
Size 1 ¹ / ₂ AB Pump Parts	10
Size 1 ¹ / ₂ AC Pump Parts	11
Size 2AB Pump Parts	12
Size 2AC Pump Parts	13
Size 2 ¹ / ₂ A Pump Parts.....	14
Size 2 ¹ / ₂ AB Pump Parts	15
Size 3AB Pump Parts	16
Size 3AC Pump Parts	17
Size 4AB Pump Parts	18
Size 4AC Pump Parts	19
Size 5A Pump Parts.....	20
Size 1 ¹ / ₄ BB Pump Parts	21
Size 1 ¹ / ₄ BC Pump Parts.....	22
Size 1 ¹ / ₂ BB & 1 ¹ / ₂ BC Pump Parts.....	23
Size 2BB Pump Parts	24
Size 2BC Pump Parts	25
Size 2 ¹ / ₂ B Pump Parts	26
Size 2 ¹ / ₂ BB Pump Parts	27
Size 3BB Pump Parts	28
Size 3BC Pump Parts.....	29
Size 4BB Pump Parts.....	30
Size 4BC Pump Parts	31
Size 5BB Pump Parts	32
Size 5BC Pump Parts.....	33
Size 6BB Pump Parts	34
Size 6BC Pump Parts.....	35
Size 2CB Pump Parts.....	36
Size 3CB Pump Parts	37
Size 4CB Pump Parts.....	38
Size 5CB Pump Parts.....	39
Size 6CB Pump Parts.....	40
Size 2E Pump Parts.....	41
Size 3E Pump Parts.....	42
Size 4E Pump Parts.....	43
Size 5E Pump Parts.....	44
Size 6E Pump Parts.....	45
Size 2G Pump Parts	46
Size 3G Pump Parts	47
Size 4G Pump Parts	48
Size 4GB Pump Parts.....	49
Size 5G Pump Parts	50
Size 6G Pump Parts	51
Size 8G Pump Parts	52
Series 1510 Coupler Selection Chart	53
ANSI/OSHA Guard & Bracket Kit Selection Chart	54
Mechanical Seals for 1510 Stuffing Box Type Pumps.....	55
Packing Sets for 1510 Stuffing Box Type Pumps	55

How to use this PARTS LIST

The pump nameplate identifies the pump by pipe size, seal configuration, pump construction and impeller diameter as shown below. Pumps manufactured in 2001 and before have a nameplate similar to the nameplate below left. Pumps manufactured in 2001 and after have a nameplate similar to the one below right. Although the nameplates look different, they each display the same information.



The nameplates above identify the pump as a Series 1510, size 5BC with a “-S” seal and bronze-fitted (BF) construction. The pump was furnished with a 9" impeller and a 20 horsepower, 1750 (1800) RPM motor. The serial number specifically identifies the pump for future reference. **DO NOT REMOVE THE NAMEPLATE.** It is important when ordering replacement parts to furnish complete nameplate data.

The Series 1510 pump is furnished in a “Standard Seal” or “Stuffing Box” construction. The “Stuffing Box” model has three positive seal configurations:

Series 1510-S Single Seal
Series 1510-D Double Seal

Series 1510-PF Packing Rings with
Flush (Lantern) Ring

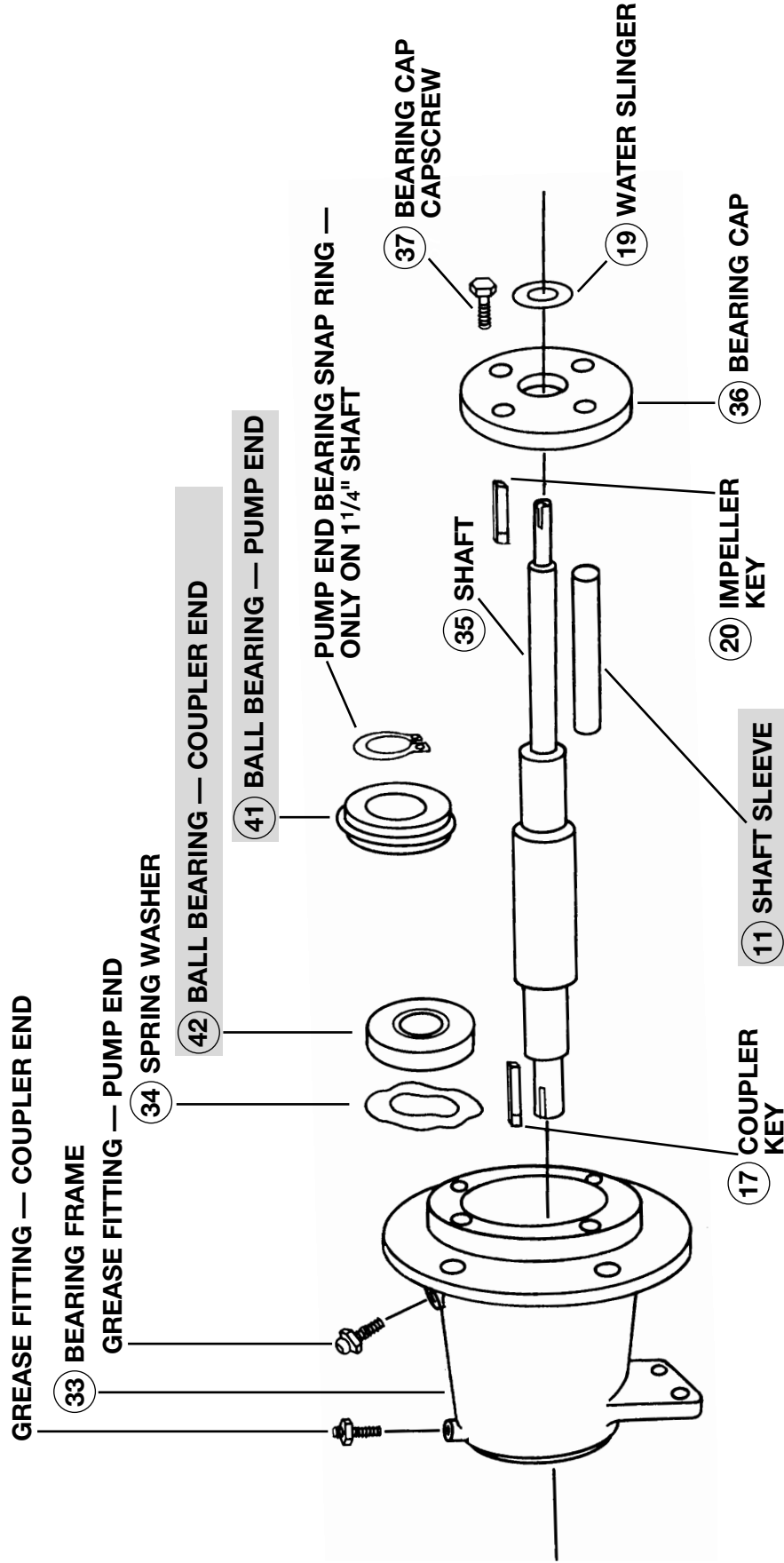
The “Standard Seal” pump has no seal designation after the Series number on the nameplate. Parts for the “Standard Seal” pumps are covered in the CP-207H-PL parts list.

To ensure correct parts are chosen, use the following procedure:

1. Determine from the nameplate the pump size, pump construction, seal configuration, and impeller diameter.
2. Measure the shaft sleeve diameter at the seal.
3. Refer to the index for the page number of the parts breakdown for the specific size pump.
4. Find the proper column in the parts breakdown for the pump construction involved.
5. Select part numbers using the numbered drawings on pages 4,5 or 6 for identification. Where shaft diameter affects parts selection, use the measurement secured in Step 2.
6. Bearing frames vary with motor frame sizes. Use the motor frame number from the motor nameplate to select the proper bearing frame from the chart on page 7.

Ball Bearing Frame Assembly**

STUFFING BOX CONSTRUCTION



Note: Bearing lockwasher, bearing locknut and coupler end bearing cap (not shown) used on extra large bearing assembly only.

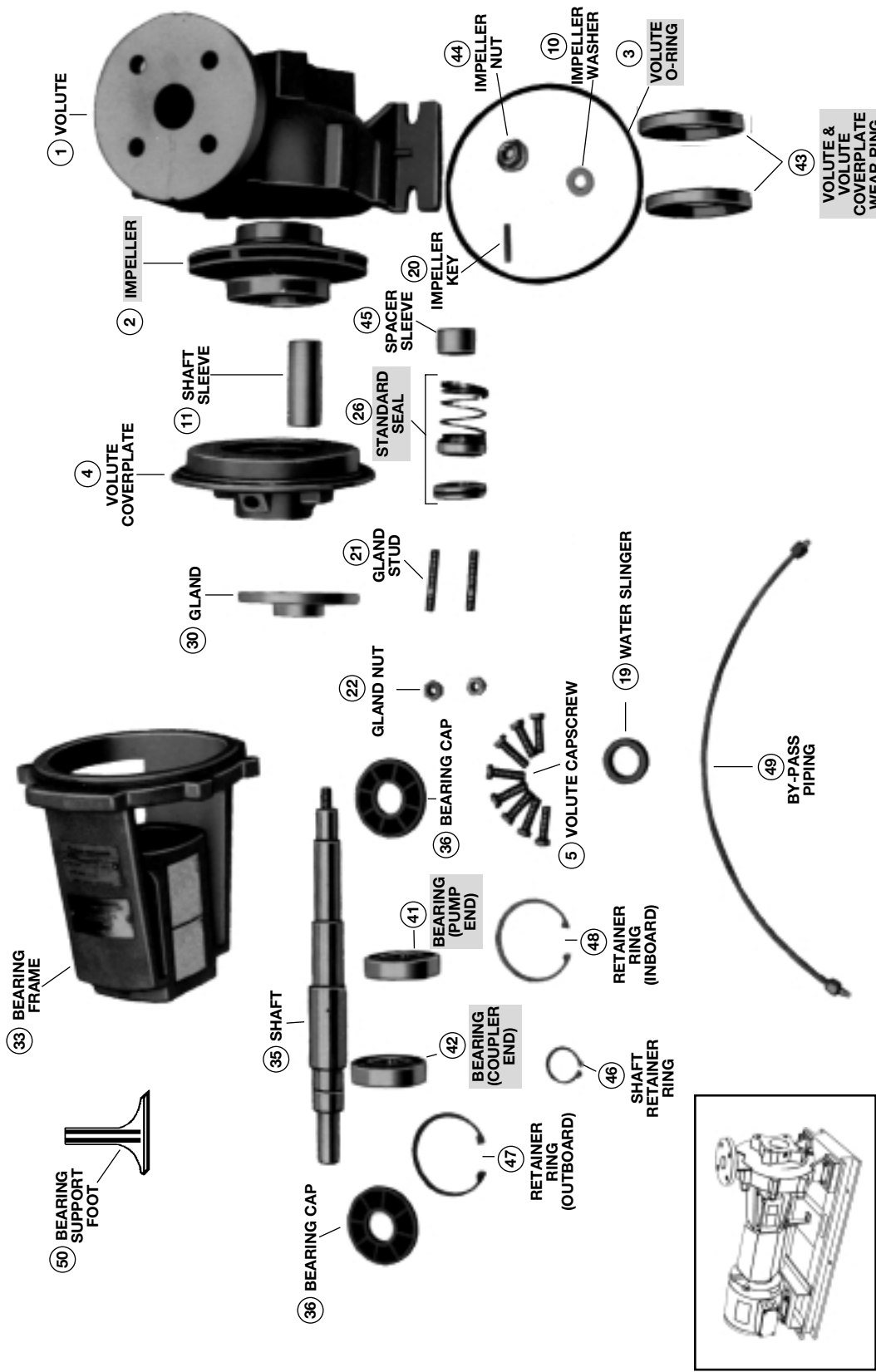
**See page 6 for exploded view of 8G Bearing Frame Assembly.

— Factory recommended spare parts

Series 1510 8G Pump

STUFFING BOX CONSTRUCTION

Exploded View



– Factory recommended spare parts

1¹/₄AB

ITEM NO.	DESCRIPTION	PUMP CONSTRUCTION			
		BRONZE FITTED	BRONZE FITTED W/WEAR RING	ALL IRON	ALL BRONZE
1	Volute	N/A**	N/A**	N/A**	N/A**
	Wear Ring	—	P46700	—	—
	Volute Drain Plug (4)	P39020	P39020	P39030	P39470
5	Volute Capscrew (8)	P40020	P40020	P40020	P52310
3	Volute Gasket	P57700	P57700	P57700	P57700
17	Coupler Key (Straight) Aug. 1989 (H98) and After	P49379	P49379	P49379	P49379
17	Coupler Key (Woodruff) July 1989 (G98) and Before	H32600	H32600	H32600	H32600
	Seal or Packing	See Table A, B, C or D, Page 55			
16	Coupler	See Coupler Selection Table, Page 53			
ANSI/OSHA Coupling Guard & Support Bracket Kit Selection, See Page 54					
2	Impeller (State Diameter) 7" Full Dia.	P46630	P46630	N/A**	P46630
8	Impeller Capscrew	P52350	P52350	P52350	P52350
9	Impeller Lockwasher	J23874	J23874	J23874	J23874
10	Impeller Washer	P46380	P46380	P46381	P46390
20	Impeller Key (Woodruff) July 1989 (G98) and Before	H32500	H32500	H32500	H32500
4	Volute Coverplate	P85027	P85027	P85027	P85029
44	Bracket	P85023	P85023	P85023	P85023
18	Bearing Frame Assembly Consisting of:	185321	185321	185321	P85005
33	Bearing Frame	P85014	P85014	P85014	P85014
35	Shaft	P85017	P85017	P85017	P84999
36	Bearing Cap	P85020	P85020	P85020	P85020
41	Ball Bearing – Pump End	186002	186002	186002	186002
42	Ball Bearing – Coupler End	186001	186001	186001	186001
34	Spring Washer	J92558	J92558	J92558	J92558
37	Bearing Cap Capscrew (4)	P32000	P32000	P32000	P32000
19	Water Slinger	P53550	P53550	P53550	P53550

N/A — NO LONGER AVAILABLE

**The impeller and/or volute are no longer available. This pump can be converted to the current style pump by ordering both the current style impeller and current style volute.

— Factory recommended spare parts.

†Consult factory for delivery.

1¹/₄AC

ITEM NO.	DESCRIPTION	PUMP CONSTRUCTION			
		BRONZE FITTED	BRONZE FITTED W/WEAR RING	ALL IRON	ALL BRONZE
1	Volute	P41612	P44141*	P41612	P41614
	Wear Ring	—	P46700	—	—
	Volute Drain Plug (4)	P39020	P39020	P39030	P39470
5	Volute Capscrew (8)	P40020	P40020	P40020	P52310
3	Volute Gasket	P57700	P57700	P57700	P57700
17	Coupler Key (Straight) Aug. 1989 (H98) and After	P49373	P49373	P49373	P49373
17	Coupler Key (Woodruff) July 1989 (G98) and Before	H32600	H32600	H32600	H32600
	Seal or Packing	See Table A, B, C or D, Page 55			
16	Coupler	See Coupler Selection Table, Page 53			
ANSI/OSHA Coupling Guard & Support Bracket Kit Selection, See Page 54					
2	Impeller (State Diameter) 7" Full Dia.	P50652	P50652	P50662 [†]	P50652
8	Impeller Capscrew	P52350	P52350	P52350	P52350
9	Impeller Lockwasher	J23874	J23874	J23874	J23874
10	Impeller Washer	P46380	P46380	P46381	P46390
20	Impeller Key (Straight) Aug. 1989 (H98) and After	P49369	P49369	P49369	P49369
20	Impeller Key (Woodruff) July 1989 (G98) and Before	H32500	H32500	H32500	H32500
4	Volute Coverplate	P85027	P85027	P85027	P85029
44	Bracket	P85023	P85023	P85023	P85023
18	Bearing Frame Assembly Consisting of:	185321	185321	185321	P85005
33	Bearing Frame	P85014	P85014	P85014	P85014
35	Shaft	P85017	P85017	P85017	P84999
36	Bearing Cap	P85020	P85020	P85020	P85020
41	Ball Bearing – Pump End	186002	186002	186002	186002
42	Ball Bearing – Coupler End	186001	186001	186001	186001
34	Spring Washer	J92558	J92558	J92558	J92558
37	Bearing Cap Capscrew (4)	P32000	P32000	P32000	P32000
19	Water Slinger	P53550	P53550	P53550	P53550

*Includes Wear Ring.

■ – Factory recommended spare parts.

[†]Consult factory for delivery.

1¹/₂AB

ITEM NO.	DESCRIPTION	PUMP CONSTRUCTION			
		BRONZE FITTED	BRONZE FITTED W/WEAR RING	ALL IRON	ALL BRONZE
1	Volute	P41690	N/A**	P41690	N/A
	Wear Ring	—	P48660	—	—
	Volute Drain Plug (4)	P39020	P39020	P39030	P39470
5	Volute Capscrew (8)	P40020	P40020	P40020	P52310
3	Volute Gasket	P57700	P57700	P57700	P57700
17	Coupler Key (Straight) Aug. 1989 (H98) and After	P49373	P49373	P49373	P49373
17	Coupler Key (Woodruff) July 1989 (G98) and Before	H32600	H32600	H32600	H32600
	Seal or Packing	See Table A, B, C or D, Page 55			
16	Coupler	See Coupler Selection Table, Page 53			
ANSI/OSHA Coupling Guard & Support Bracket Kit Selection, See Page 54					
2	Impeller (State Diameter) 7" Full Dia.	P47950 [†]	P47950 [†]	P47810 [†]	P47950 [†]
8	Impeller Capscrew	P52350	P52350	P52350	P52350
9	Impeller Lockwasher	J23874	J23874	J23874	J23874
10	Impeller Washer	P46380	P46380	P46381	P46390
20	Impeller Key (Straight) Aug. 1989 (H98) and After	P49369	P49369	P49369	P49369
20	Impeller Key (Woodruff) July 1989 (G98) and Before	H32500	H32500	H32500	H32500
4	Volute Coverplate	P85027	P85027	P85027	P85029
44	Bracket	P85023	P85023	P85023	P85023
18	Bearing Frame Assembly Consisting of:	185321	185321	185321	P85005
33	Bearing Frame	P85014	P85014	P85014	P85014
35	Shaft	P85017	P85017	P85017	P84999
36	Bearing Cap	P85020	P85020	P85020	P85020
41	Ball Bearing – Pump End	186002	186002	186002	186002
42	Ball Bearing – Coupler End	186001	186001	186001	186001
34	Spring Washer	J92558	J92558	J92558	J92558
37	Bearing Cap Capscrew (4)	P32000	P32000	P32000	P32000
19	Water Slinger	P53550	P53550	P53550	P53550

N/A — NO LONGER AVAILABLE

**The impeller and/or volute are no longer available. This pump can be converted to the current style pump by ordering both the current style impeller and current style volute.

■ – Factory recommended spare parts.

[†]Consult factory for delivery.

1 1/2AC

ITEM NO.	DESCRIPTION	PUMP CONSTRUCTION			ALL BRONZE	
		BRONZE FITTED	BRONZE FITTED W/WEAR RING	ALL IRON		
1	Volute	P45473	P45475*	P45473	NOT OFFERED	
	Wear Ring	—	P48660	—		
	Volute Drain Plug (4)	P39020	P39020	P39030		
5	Volute Capscrew (8)	P40020	P40020	P40020		
3	Volute Gasket	P57700	P57700	P57700		
17	Coupler Key (Straight) Aug. 1989 (H98) and After	P49373	P49373	P49373		
17	Coupler Key (Woodruff) July 1989 (G98) and Before	H32600	H32600	H32600		
	Seal or Packing	See Table A, B, C or D, Page 55				
16	Coupler	See Coupler Selection Table, Page 53				
ANSI/OSHA Coupling Guard & Support Bracket Kit Selection, See Page 54						
2	Impeller (State Diameter) 7" Full Dia.	P45492	P45492	P45495		
8	Impeller Capscrew	P52350	P52350	P52350		
9	Impeller Lockwasher	J23874	J23874	J23874		
10	Impeller Washer	P46380	P46380	P46381		
20	Impeller Key (Straight) Aug. 1989 (H98) and After	P49369	P49369	P49369		
20	Impeller Key (Woodruff) July 1989 (G98) and Before	H32500	H32500	H32500		
4	Volute Coverplate	P85027	P85027	P85027		
44	Bracket	P85023	P85023	P85023		
18	Bearing Frame Assembly Consisting of:	185321	185321	185321		
33	Bearing Frame	P85014	P85014	P85014		
35	Shaft	P85017	P85017	P85017		
36	Bearing Cap	P85020	P85020	P85020		
41	Ball Bearing – Pump End	186002	186002	186002		
42	Ball Bearing – Coupler End	186001	186001	186001		
34	Spring Washer	J92558	J92558	J92558		
37	Bearing Cap Capscrew (4)	P32000	P32000	P32000		
19	Water Slinger	P53550	P53550	P53550		

*Includes Wear Ring.

■ – Factory recommended spare parts.

†Consult factory for delivery.

2AB

ITEM NO.	DESCRIPTION	PUMP CONSTRUCTION			
		BRONZE FITTED	BRONZE FITTED W/WEAR RING	ALL IRON	ALL BRONZE
1	Volute	N/A**	N/A**	N/A**	N/A**
	Wear Ring	—	P48660	—	—
	Volute Drain Plug (4)	P39040	P39040	P39050	P39480
5	Volute Capscrew (8)	P40020	P40020	P40020	P52310
3	Volute Gasket	P57700	P57700	P57700	P57700
17	Coupler Key (Straight) Aug. 1989 (H98) and After	P49373	P49373	P49373	P49373
17	Coupler Key (Woodruff) July 1989 (G98) and Before	H32600	H32600	H32600	H32600
	Seal or Packing	See Table A, B, C or D, Page 55			
16	Coupler	See Coupler Selection Table, Page 53			
ANSI/OSHA Coupling Guard & Support Bracket Kit Selection, See Page 54					
2	Impeller (State Diameter) 7" Full Dia.	P47950 [†]	P47950 [†]	P47810 [†]	P47950 [†]
8	Impeller Capscrew	P52350	P52350	P52350	P52350
9	Impeller Lockwasher	J23874	J23874	J23874	J23874
10	Impeller Washer	P46380	P46380	P46381	P46390
20	Impeller Key (Straight) Aug. 1989 (H98) and After	P49369	P49369	P49369	P49369
20	Impeller Key (Woodruff) July 1989 (G98) and Before	H32500	H32500	H32500	H32500
4	Volute Coverplate	P85027	P85027	P85027	P85029
44	Bracket	P85023	P85023	P85023	P85023
18	Bearing Frame Assembly Consisting of:	185321	185321	185321	P85005
33	Bearing Frame	P85014	P85014	P85014	P85014
35	Shaft	P85017	P85017	P85017	P84999
36	Bearing Cap	P85020	P85020	P85020	P85020
41	Ball Bearing – Pump End	186002	186002	186002	186002
42	Ball Bearing – Coupler End	186001	186001	186001	186001
34	Spring Washer	J92558	J92558	J92558	J92558
37	Bearing Cap Capscrew (4)	P32000	P32000	P32000	P32000
19	Water Slinger	P53550	P53550	P53550	P53550

N/A — NO LONGER AVAILABLE

**The impeller and/or volute are no longer available. This pump can be converted to the current style pump by ordering both the current style impeller and current style volute.

— Factory recommended spare parts.

[†]Consult factory for delivery.

2AC

ITEM NO.	DESCRIPTION	PUMP CONSTRUCTION			
		BRONZE FITTED	BRONZE FITTED W/WEAR RING	ALL IRON	ALL BRONZE
PARTS COMMON TO BOTH SIZE PUMPS					
1	Volute	P42254	P44143*	P42254	P42256†
	Wear Ring	—	P49145	—	—
	Volute Drain Plug (4)	P39040	P39040	P39050	P39480
3	Volute Gasket	P57700	P57700	P57700	P57700
17	Coupler Key (Straight) Aug. 1989 (H98) and After	P49373	P49373	P49373	P49373
17	Coupler Key (Woodruff) July 1989 (G98) and Before	H32600	H32600	H32600	H32600
	Seal or Packing	See Table A, B, C or D, Page 55			
16	Coupler	See Coupler Selection Table, Page 53			
ANSI/OSHA Coupling Guard & Support Bracket Kit Selection, See Page 54					
PARTS FOR PUMPS WITH 1 1/4" SHAFT AT SEAL					
2	Impeller (State Diameter) 7" Full Dia.	P50684	P50684	P50696†	P50684
8	Impeller Capscrew	P52350	P52350	P52350	P52350
9	Impeller Lockwasher	J23874	J23874	J23874	J23874
10	Impeller Washer	P46380	P46380	P46381	P46390
20	Impeller Key (Straight) Aug. 1989 (H98) and After	P49369	P49369	P49369	P49369
20	Impeller Key (Woodruff) July 1989 (G98) and Before	H32500	H32500	H32500	H32500
5	Volute Capscrew (8)	P40020	P40020	P40020	P52310
4	Volute Coverplate	P85027	P85027	P85027	P85029
44	Bracket	P85023	P85023	P85023	P85023
18	Bearing Frame Assembly Consisting of:	185321	185321	185321	P85005
33	Bearing Frame	P85014	P85014	P85014	P85014
35	Shaft	P85017	P85017	P85017	P84999
36	Bearing Cap	P85020	P85020	P85020	P85020
41	Ball Bearing – Pump End	186002	186002	186002	186002
42	Ball Bearing – Coupler End	186001	186001	186001	186001
34	Spring Washer	J92558	J92558	J92558	J92558
37	Bearing Cap Capscrew (4)	P32000	P32000	P32000	P32000
19	Water Slinger	P53550	P53550	P53550	P53550
PARTS FOR PUMPS WITH 1 5/8" SHAFT AT SEAL					
2	Impeller (State Diameter) 7" Full Dia.	P50692	P50692	P50698†	P50692
8	Impeller Capscrew	P13800	P13800	P13800	P13800
9	Impeller Lockwasher	J23875	J23875	J23875	J23875
10	Impeller Washer	P51230	P51230	P46382	P51250
20	Impeller Key (Straight) Aug. 1989 (H98) and After	P49372	P49372	P49372	P49372
	Impeller Key (Woodruff) July 1989 (G98) and Before	H32700	H32700	H32700	H32700
5	Volute Capscrew (8)	DJ0081	DJ0081	DJ0081	J91687
4	Volute Coverplate	P85035	P85035	P85035	P85037
44	Bracket	P85025	P85025	P85025	P85025
18	Bearing Frame Assembly Consisting of:	185323	185323	185323	P85006
33	Bearing Frame	P85016	P85016	P85016	P85016
35	Shaft	P85018	P85018	P85018	P85000
36	Bearing Cap	P85065	P85065	P85065	P85065
41	Ball Bearing – Pump End	186571	186571	186571	186571
42	Ball Bearing – Coupler End	186572	186572	186572	186572
34	Spring Washer	J92560	J92560	J92560	J92560
37	Bearing Cap Capscrew (4)	DJ0034	DJ0034	DJ0034	DJ0034
19	Water Slinger	P77320	P77320	P77320	P77320

*Includes Wear Ring.

■ – Factory recommended spare parts.

†Consult factory for delivery.

2 1/2A

ITEM NO.	DESCRIPTION	PUMP CONSTRUCTION			
		BRONZE FITTED	BRONZE FITTED W/WEAR RING	ALL IRON	ALL BRONZE
1	Volute	N/A**	N/A**	N/A**	N/A**
	Wear Ring	—	N/A	—	—
	Volute Drain Plug (4)	P39040	P39040	P39050	P39480
5	Volute Capscrew (8)	P40020	P40020	P40020	P52310
3	Volute Gasket	P57700	P57700	P57700	P57700
17	Coupler Key (Straight) Aug. 1989 (H98) and After	P49373	P49373	P49373	P49373
17	Coupler Key (Woodruff) July 1989 (G98) and Before	H32600	H32600	H32600	H32600
	Seal or Packing	See Table A, B, C or D, Page 55			
16	Coupler	See Coupler Selection Table, Page 53			
ANSI/OSHA Coupling Guard & Support Bracket Kit Selection, See Page 54					
2	Impeller (State Diameter)	P49000 [†]	P49000 [†]	N/A**	P49000 [†]
8	Impeller Capscrew	P52350	P52350	P52350	P52350
9	Impeller Lockwasher	J23874	J23874	J23874	J23874
10	Impeller Washer	P46380	P46380	P46381	P46390
20	Impeller Key (Straight) Aug. 1989 (H98) and After	P49369	P49369	P49369	P49369
20	Impeller Key (Woodruff) July 1989 (G98) and Before	H32500	H32500	H32500	H32500
4	Volute Coverplate	P85027	P85027	P85027	P85029
44	Bracket	P85023	P85023	P85023	P85023
18	Bearing Frame Assembly Consisting of:	185321	185321	185321	P85005
33	Bearing Frame	P85014	P85014	P85014	P85014
35	Shaft	P85017	P85017	P85017	P84999
36	Bearing Cap	P85020	P85020	P85020	P85020
41	Ball Bearing – Pump End	186002	186002	186002	186002
42	Ball Bearing – Coupler End	186001	186001	186001	186001
34	Spring Washer	J92558	J92558	J92558	J92558
37	Bearing Cap Capscrew (4)	P32000	P32000	P32000	P32000
19	Water Slinger	P53550	P53550	P53550	P53550

N/A — NO LONGER AVAILABLE

**The impeller and/or volute are no longer available. This pump can be converted to the current style pump by ordering both the current style impeller and current style volute.

— Factory recommended spare parts.

[†]Consult factory for delivery.

2¹/₂AB

ITEM NO.	DESCRIPTION	PUMP CONSTRUCTION			
		BRONZE FITTED	BRONZE FITTED W/WEAR RING	ALL IRON	ALL BRONZE
PARTS COMMON TO BOTH SIZE PUMPS					
1	Volute	P42532	P44145*	P42532	P42534 [†]
	Wear Ring	—	P85399	—	—
	Volute Drain Plug (4)	P39040	P39040	P39050	P39480
3	Volute Gasket	P57700	P57700	P57700	P57700
17	Coupler Key (Straight) Aug. 1989 (H98) and After	P49373	P49373	P49373	P49373
17	Coupler Key (Woodruff) July 1989 (G98) and Before	H32600	H32600	H32600	H32600
	Seal or Packing	See Table A, B, C or D, Page 55			
16	Coupler	See Coupler Selection Table, Page 53			
ANSI/OSHA Coupling Guard & Support Bracket Kit Selection, See Page 54					
PARTS FOR PUMPS WITH 1¹/₄" SHAFT AT SEAL					
2	Impeller (State Diameter) 7" Full Dia.	P50716	P50716	P50727 [†]	P50716
8	Impeller Capscrew	P52350	P52350	P52350	P52350
9	Impeller Lockwasher	J23874	J23874	J23874	J23874
10	Impeller Washer	P46380	P46380	P46381	P46390
20	Impeller Key (Straight) Aug. 1989 (H98) and After	P49369	P49369	P49369	P49369
20	Impeller Key (Woodruff) July 1989 (G98) and Before	H32500	H32500	H32500	H32500
5	Volute Capscrew (8)	P40020	P40020	P40020	P52310
4	Volute Coverplate	P85027	P85027	P85027	P85029
44	Bracket	P85023	P85023	P85023	P85023
18	Bearing Frame Assembly Consisting of:	185321	185321	185321	P85005
33	Bearing Frame	P85014	P85014	P85014	P85014
35	Shaft	P85017	P85017	P85017	P84999
36	Bearing Cap	P85020	P85020	P85020	P85020
41	Ball Bearing – Pump End	186002	186002	186002	186002
42	Ball Bearing – Coupler End	186001	186001	186001	186001
34	Spring Washer	J92558	J92558	J92558	J92558
37	Bearing Cap Capscrew (4)	P32000	P32000	P32000	P32000
19	Water Slinger	P53550	P53550	P53550	P53550
PARTS FOR PUMPS WITH 1⁵/₈" SHAFT AT SEAL					
2	Impeller (State Diameter) 7" Full Dia.	P50723	P50723	P50729 [†]	P50723
8	Impeller Capscrew	P13800	P13800	P13800	P13800
9	Impeller Lockwasher	J23875	J23875	J23875	J23875
10	Impeller Washer	P51230	P51230	P46382	P51250
20	Impeller Key (Straight) Aug. 1989 (H98) and After	P49372	P49372	P49372	P49372
20	Impeller Key (Woodruff) July 1989 (G98) and Before	H32700	H32700	H32700	H32700
5	Volute Capscrew (8)	DJ0081	DJ0081	DJ0081	J91687
4	Volute Coverplate	P85035	P85035	P85035	P85037
44	Bracket	P85025	P85025	P85025	P85025
18	Bearing Frame Assembly Consisting of:	185323	185323	185323	P85006
33	Bearing Frame	P85016	P85016	P85016	P85016
35	Shaft	P85018	P85018	P85018	P85000
36	Bearing Cap	P85065	P85065	P85065	P85065
41	Ball Bearing – Pump End	186571	186571	186571	186571
42	Ball Bearing – Coupler End	186572	186572	186572	186572
34	Spring Washer	J92560	J92560	J92560	J92560
37	Bearing Cap Capscrew (4)	DJ0034	DJ0034	DJ0034	DJ0034
19	Water Slinger	P77320	P77320	P77320	P77320

*Includes Wear Ring.

■ – Factory recommended spare parts.

[†]Consult factory for delivery.

3AB

ITEM NO.	DESCRIPTION	PUMP CONSTRUCTION			
		BRONZE FITTED	BRONZE FITTED W/WEAR RING	ALL IRON	ALL BRONZE
PARTS COMMON TO BOTH SIZE PUMPS					
1	Volute	P42970	P43859*	P42970	P42990 ¹
	Wear Ring	—	P50650	—	—
	Volute Drain Plug (4)	P39040	P39040	P39050	P39480
3	Volute Gasket	P57700	P57700	P57700	P57700
17	Coupler Key (Straight) Aug. 1989 (H98) and After	P49373	P49373	P49373	P49373
17	Coupler Key (Woodruff) July 1989 (G98) and Before	H32600	H32600	H32600	H32600
	Seal or Packing	See Table A, B, C or D, Page 55			
16	Coupler	See Coupler Selection Table, Page 53			
ANSI/OSHA Coupling Guard & Support Bracket Kit Selection, See Page 54					
PARTS FOR PUMPS WITH 1 1/4" SHAFT AT SEAL					
2	Impeller (State Diameter) 7" Full Dia.	P78280 ¹	P78280 ¹	P78310 ¹	P78280 ¹
8	Impeller Capscrew	P52350	P52350	P52350	P52350
9	Impeller Lockwasher	J23874	J23874	J23874	J23874
10	Impeller Washer	P46380	P46380	P46381	P46390
20	Impeller Key (Straight) Aug. 1989 (H98) and After	P49369	P49369	P49369	P49369
20	Impeller Key (Woodruff) July 1989 (G98) and Before	H32500	H32500	H32500	H32500
5	Volute Capscrew (8)	P40020	P40020	P40020	P52310
4	Volute Coverplate	P85027	P85027	P85027	P85029
44	Bracket	P85023	P85023	P85023	P85023
18	Bearing Frame Assembly Consisting of:	185321	185321	185321	P85005
33	Bearing Frame	P85014	P85014	P85014	P85014
35	Shaft	P85017	P85017	P85017	P84999
36	Bearing Cap	P85020	P85020	P85020	P85020
41	Ball Bearing – Pump End	186002	186002	186002	186002
42	Ball Bearing – Coupler End	186001	186001	186001	186001
34	Spring Washer	J92558	J92558	J92558	J92558
37	Bearing Cap Capscrew (4)	P32000	P32000	P32000	P32000
19	Water Slinger	P53550	P53550	P53550	P53550
PARTS FOR PUMPS WITH 1 5/8" SHAFT AT SEAL					
2	Impeller (State Diameter) 7" Full Dia.	P77590 ¹	P77590 ¹	P77620 ¹	P77590 ¹
8	Impeller Capscrew	P13800	P13800	P13800	P13800
9	Impeller Lockwasher	J23875	J23875	J23875	J23875
10	Impeller Washer	P51230	P51230	P46382	P51250
20	Impeller Key (Straight) Aug. 1989 (H98) and After	P49372	P49372	P49372	P49372
20	Impeller Key (Woodruff) July 1989 (G98) and Before	H32700	H32700	H32700	H32700
5	Volute Capscrew (8)	DJ0081	DJ0081	DJ0081	J91687
4	Volute Coverplate	P85035	P85035	P85035	P85037
44	Bracket	P85025	P85025	P85025	P85025
18	Bearing Frame Assembly Consisting of:	185323	185323	185323	P85006
33	Bearing Frame	P85016	P85016	P85016	P85016
35	Shaft	P85018	P85018	P85018	P85000
36	Bearing Cap	P85065	P85065	P85065	P85065
41	Ball Bearing – Pump End	186571	186571	186571	186571
42	Ball Bearing – Coupler End	186572	186572	186572	186572
34	Spring Washer	J92560	J92560	J92560	J92560
37	Bearing Cap Capscrew (4)	DJ0034	DJ0034	DJ0034	DJ0034
19	Water Slinger	P77320	P77320	P77320	P77320

*Includes Wear Ring.

■ – Factory recommended spare parts.

¹Consult factory for delivery.

3AC

ITEM NO.	DESCRIPTION	PUMP CONSTRUCTION			
		BRONZE FITTED	BRONZE FITTED W/WEAR RING	ALL IRON	ALL BRONZE
PARTS COMMON TO BOTH SIZE PUMPS					
1	Volute	P42970	P43859*	P42970	P42990†
	Wear Ring	—	P50650	—	—
	Volute Drain Plug (4)	P39040	P39040	P39050	P39480
3	Volute Gasket	P57700	P57700	P57700	P57700
17	Coupler Key (Straight) Aug. 1989 (H98) and After	P49373	P49373	P49373	P49373
17	Coupler Key (Woodruff) July 1989 (G98) and Before	H32600	H32600	H32600	H32600
	Seal or Packing	See Table A, B, C or D, Page 55			
16	Coupler	See Coupler Selection Table, Page 53			
ANSI/OSHA Coupling Guard & Support Bracket Kit Selection, See Page 54					
PARTS FOR PUMPS WITH 1 1/4" SHAFT AT SEAL					
2	Impeller (State Diameter) 7" Full Dia.	P71561†	P71561†	P71567†	P71561†
8	Impeller Capscrew	P52350	P52350	P52350	P52350
9	Impeller Lockwasher	J23874	J23874	J23874	J23874
10	Impeller Washer	P46380	P46380	P46381	P46390
20	Impeller Key (Straight) Aug. 1989 (H98) and After	P49369	P49369	P49369	P49369
20	Impeller Key (Woodruff) July 1989 (G98) and Before	H32500	H32500	H32500	H32500
5	Volute Capscrew (8)	P40020	P40020	P40020	P52310
4	Volute Coverplate	P85027	P85027	P85027	P85029
44	Bracket	P85023	P85023	P85023	P85023
18	Bearing Frame Assembly Consisting of:	185321	185321	185321	P85005
33	Bearing Frame	P85014	P85014	P85014	P85014
35	Shaft	P85017	P85017	P85017	P84999
36	Bearing Cap	P85020	P85020	P85020	P85020
41	Ball Bearing – Pump End	186002	186002	186002	186002
42	Ball Bearing – Coupler End	186001	186001	186001	186001
34	Spring Washer	J92558	J92558	J92558	J92558
37	Bearing Cap Capscrew (4)	P32000	P32000	P32000	P32000
19	Water Slinger	P53550	P53550	P53550	P53550
PARTS FOR PUMPS WITH 1 5/8" SHAFT AT SEAL					
2	Impeller (State Diameter) 7" Full Dia.	P71564†	P71564†	P71570†	P71564†
8	Impeller Capscrew	P13800	P13800	P13800	P13800
9	Impeller Lockwasher	J23875	J23875	J23875	J23875
10	Impeller Washer	P51230	P51230	P46382	P51250
20	Impeller Key (Straight) Aug. 1989 (H98) and After	P49372	P49372	P49372	P49372
20	Impeller Key (Woodruff) July 1989 (G98) and Before	H32700	H32700	H32700	H32700
5	Volute Capscrew (8)	DJ0081	DJ0081	DJ0081	J91687
4	Volute Coverplate	P85035	P85035	P85035	P85037
44	Bracket	P85025	P85025	P85025	P85025
18	Bearing Frame Assembly Consisting of:	185323	185323	185323	P85006
33	Bearing Frame	P85016	P85016	P85016	P85016
35	Shaft	P85018	P85018	P85018	P85000
36	Bearing Cap	P85065	P85065	P85065	P85065
41	Ball Bearing – Pump End	186571	186571	186571	186571
42	Ball Bearing – Coupler End	186572	186572	186572	186572
34	Spring Washer	J92560	J92560	J92560	J92560
37	Bearing Cap Capscrew (4)	DJ0034	DJ0034	DJ0034	DJ0034
19	Water Slinger	P77320	P77320	P77320	P77320

*Includes Wear Ring.

— Factory recommended spare parts.

†Consult factory for delivery.

4AB

ITEM NO.	DESCRIPTION	PUMP CONSTRUCTION			
		BRONZE FITTED	BRONZE FITTED W/WEAR RING	ALL IRON	ALL BRONZE
PARTS COMMON TO BOTH SIZE PUMPS					
1	Volute	N/A**	N/A**	N/A**	N/A**
	Wear Ring	—	P50590	—	—
	Volute Drain Plug (4)	P39040	P39040	P39050	P39480
3	Volute Gasket	P57700	P57700	P57700	P57700
17	Coupler Key (Straight) Aug. 1989 (H98) and After	P49373	P49373	P49373	P49373
17	Coupler Key (Woodruff) July 1989 (G98) and Before	H32600	H32600	H32600	H32600
	Seal or Packing	See Table A, B, C or D, Page 55			
16	Coupler	See Coupler Selection Table, Page 53			
ANSI/OSHA Coupling Guard & Support Bracket Kit Selection, See Page 54					
PARTS FOR PUMPS WITH 1¹/₄" SHAFT AT SEAL					
2	Impeller (State Diameter) 7" Full Dia.	P56140 [†]	P56140 [†]	N/A**	P56140 [†]
8	Impeller Capscrew	P52350	P52350	P52350	P52350
9	Impeller Lockwasher	J23874	J23874	J23874	J23874
10	Impeller Washer	P46380	P46380	P46381	P46390
20	Impeller Key (Straight) Aug. 1989 (H98) and After	P49369	P49369	P49369	P49369
20	Impeller Key (Woodruff) July 1989 (G98) and Before	H32500	H32500	H32500	H32500
5	Volute Capscrew (8)	P40020	P40020	P40020	P52310
4	Volute Coverplate	P85027	P85027	P85027	P85029
44	Bracket	P85023	P85023	P85023	P85023
18	Bearing Frame Assembly Consisting of:	185321	185321	185321	P85005
33	Bearing Frame	P85014	P85014	P85014	P85014
35	Shaft	P85017	P85017	P85017	P84999
36	Bearing Cap	P85020	P85020	P85020	P85020
41	Ball Bearing – Pump End	186002	186002	186002	186002
42	Ball Bearing – Coupler End	186001	186001	186001	186001
34	Spring Washer	J92558	J92558	J92558	J92558
37	Bearing Cap Capscrew (4)	P32000	P32000	P32000	P32000
19	Water Slinger	P53550	P53550	P53550	P53550
PARTS FOR PUMPS WITH 1⁵/₈" SHAFT AT SEAL					
2	Impeller (State Diameter) 7" Full Dia.	P50310 [†]	P50310 [†]	N/A**	P50310 [†]
8	Impeller Capscrew	P13800	P13800	P13800	P13800
9	Impeller Lockwasher	J23875	J23875	J23875	J23875
10	Impeller Washer	P51230	P51230	P46382	P51250
20	Impeller Key (Straight) Aug. 1989 (H98) and After	P49372	P49372	P49372	P49372
20	Impeller Key (Woodruff) July 1989 (G98) and Before	H32700	H32700	H32700	H32700
5	Volute Capscrew (8)	DJ0081	DJ0081	DJ0081	J91687
4	Volute Coverplate	P85035	P85035	P85035	P85037
44	Bracket	P85025	P85025	P85025	P85025
18	Bearing Frame Assembly Consisting of:	185323	185323	185323	P85006
33	Bearing Frame	P85016	P85016	P85016	P85016
35	Shaft	P85018	P85018	P85018	P85000
36	Bearing Cap	P85065	P85065	P85065	P85065
41	Ball Bearing – Pump End	186571	186571	186571	186571
42	Ball Bearing – Coupler End	186572	186572	186572	186572
34	Spring Washer	J92560	J92560	J92560	J92560
37	Bearing Cap Capscrew (4)	DJ0034	DJ0034	DJ0034	DJ0034
19	Water Slinger	P77320	P77320	P77320	P77320

N/A — NO LONGER AVAILABLE

**The impeller and/or volute are no longer available. This pump can be converted to the current style pump by ordering both the current style impeller and current style volute.

■ — Factory recommended spare parts.

†Consult factory for delivery.

4AC

ITEM NO.	DESCRIPTION	PUMP CONSTRUCTION			ALL BRONZE	
		BRONZE FITTED	BRONZE FITTED W/WEAR RING	ALL IRON		
PARTS COMMON TO BOTH SIZE PUMPS						
1	Volute	P43252	P43861*	P43252	NOT OFFERED	
	Wear Ring	—	P49141	—		
	Volute Drain Plug (4)	P39040	P39040	P39050		
3	Volute Gasket	P57700	P57700	P57700		
17	Coupler Key (Straight) Aug. 1989 (H98) and After	P49373	P49373	P49373		
17	Coupler Key (Woodruff) July 1989 (G98) and Before	H32600	H32600	H32600		
	Seal or Packing	See Table A, B, C or D, Page 55				
16	Coupler	See Coupler Selection Table, Page 53				
ANSI/OSHA Coupling Guard & Support Bracket Kit Selection, See Page 54						
PARTS FOR PUMPS WITH 1¹/₄" SHAFT AT SEAL						
2	Impeller (State Diameter) 7" Full Dia.	P50762	P50762	P50764 [†]		
8	Impeller Capscrew	P52350	P52350	P52350		
9	Impeller Lockwasher	J23874	J23874	J23874		
10	Impeller Washer	P46380	P46380	P46381		
20	Impeller Key (Straight) Aug. 1989 (H98) and After	P49369	P49369	P49369		
20	Impeller Key (Woodruff) July 1989 (G98) and Before	H32500	H32500	H32500		
5	Volute Capscrew (8)	P40020	P40020	P40020		
4	Volute Coverplate	P85027	P85027	P85027		
44	Bracket	P85023	P85023	P85023		
18	Bearing Frame Assembly Consisting of:	185321	185321	185321		
33	Bearing Frame	P85014	P85014	P85014		
35	Shaft	P85017	P85017	P85017		
36	Bearing Cap	P85020	P85020	P85020		
41	Ball Bearing – Pump End	186002	186002	186002		
42	Ball Bearing – Coupler End	186001	186001	186001		
34	Spring Washer	J92558	J92558	J92558		
37	Bearing Cap Capscrew (4)	P32000	P32000	P32000		
19	Water Slinger	P53550	P53550	P53550		
PARTS FOR PUMPS WITH 1⁵/₈" SHAFT AT SEAL						
2	Impeller (State Diameter) 7" Full Dia.	P50772	P50772	P50774 [†]		
8	Impeller Capscrew	P13800	P13800	P13800		
9	Impeller Lockwasher	J23875	J23875	J23875		
10	Impeller Washer	P51230	P51230	P46382		
20	Impeller Key (Straight) Aug. 1989 (H98) and After	P49372	P49372	P49372		
20	Impeller Key (Woodruff) July 1989 (G98) and Before	H32700	H32700	H32700		
5	Volute Capscrew (8)	DJ0081	DJ0081	DJ0081		
4	Volute Coverplate	P85035	P85035	P85035		
44	Bracket	P85025	P85025	P85025		
18	Bearing Frame Assembly Consisting of:	185323	185323	185323		
33	Bearing Frame	P85016	P85016	P85016		
35	Shaft	P85018	P85018	P85018		
36	Bearing Cap	P85065	P85065	P85065		
41	Ball Bearing – Pump End	186571	186571	186571		
42	Ball Bearing – Coupler End	186572	186572	186572		
34	Spring Washer	J92560	J92560	J92560		
37	Bearing Cap Capscrew (4)	DJ0034	DJ0034	DJ0034		
19	Water Slinger	P77320	P77320	P77320		

*Includes Wear Ring.

■ – Factory recommended spare parts.

[†]Consult factory for delivery.

5A

ITEM NO.	DESCRIPTION	PUMP CONSTRUCTION			ALL BRONZE
		BRONZE FITTED	BRONZE FITTED W/WEAR RING	ALL IRON	
PARTS COMMON TO BOTH SIZE PUMPS					
1	Volute	P43663	P43862*	P43663	
	Wear Ring	—	P49142	—	
	Volute Drain Plug (4)	P39040	P39040	P39050	
3	Volute Gasket	P57700	P57700	P57700	
17	Coupler Key (Straight) Aug. 1989 (H98) and After	P49373	P49373	P49373	
17	Coupler Key (Woodruff) July 1989 (G98) and Before	H32600	H32600	H32600	
	Seal or Packing	See Table A, B, C or D, Page 55			
16	Coupler	See Coupler Selection Table, Page 53			
ANSI/OSHA Coupling Guard & Support Bracket Kit Selection, See Page 54					
PARTS FOR PUMPS WITH 1 1/4" SHAFT AT SEAL					
2	Impeller (State Diameter) 7" Full Dia.	P50802	P50802	P50804 [†]	
8	Impeller Capscrew	P52350	P52350	P52350	
9	Impeller Lockwasher	J23874	J23874	J23874	
10	Impeller Washer	P46380	P46380	P46381	
20	Impeller Key (Straight) Aug. 1989 (H98) and After	P49369	P49369	P49369	
20	Impeller Key (Woodruff) July 1989 (G98) and Before	H32500	H32500	H32500	
5	Volute Capscrew (8)	P40020	P40020	P40020	
4	Volute Coverplate	P85027	P85027	P85027	
44	Bracket	P85023	P85023	P85023	
18	Bearing Frame Assembly Consisting of:	185321	185321	185321	
33	Bearing Frame	P85014	P85014	P85014	
35	Shaft	P85017	P85017	P85017	
36	Bearing Cap	P85020	P85020	P85020	
41	Ball Bearing – Pump End	186002	186002	186002	
42	Ball Bearing – Coupler End	186001	186001	186001	
34	Spring Washer	J92558	J92558	J92558	
37	Bearing Cap Capscrew (4)	P32000	P32000	P32000	
19	Water Slinger	P53550	P53550	P53550	
PARTS FOR PUMPS WITH 1 1/8" SHAFT AT SEAL					
2	Impeller (State Diameter) 7" Full Dia.	P50812	P50812	P50814 [†]	
8	Impeller Capscrew	P13800	P13800	P13800	
9	Impeller Lockwasher	J23875	J23875	J23875	
10	Impeller Washer	P51230	P51230	P46382	
20	Impeller Key (Straight) Aug. 1989 (H98) and After	P49372	P49372	P49372	
20	Impeller Key (Woodruff) July 1989 (G98) and Before	H32700	H32700	H32700	
5	Volute Capscrew (8)	DJ0081	DJ0081	DJ0081	
4	Volute Coverplate	P85035	P85035	P85035	
44	Bracket	P85025	P85025	P85025	
18	Bearing Frame Assembly Consisting of:	185323	185323	185323	
33	Bearing Frame	P85016	P85016	P85016	
35	Shaft	P85018	P85018	P85018	
36	Bearing Cap	P85065	P85065	P85065	
41	Ball Bearing – Pump End	186571	186571	186571	
42	Ball Bearing – Coupler End	186572	186572	186572	
34	Spring Washer	J92560	J92560	J92560	
37	Bearing Cap Capscrew (4)	DJ0034	DJ0034	DJ0034	
19	Water Slinger	P77320	P77320	P77320	

NOT OFFERED

*Includes Wear Ring.

— Factory recommended spare parts.

[†]Consult factory for delivery.

1 1/4BB

ITEM NO.	DESCRIPTION	PUMP CONSTRUCTION			
		BRONZE FITTED	BRONZE FITTED W/WEAR RING	ALL IRON	ALL BRONZE
PARTS COMMON TO BOTH SIZE PUMPS					
1	Volute	N/A**	N/A**	N/A**	N/A**
	Wear Ring	—	P48660	—	—
	Volute Drain Plug (4)	P39020	P39020	P39030	P39470
5	Volute Capscrew (12)	P03470	P03470	P03470	S04180
3	Volute Gasket	P48690	P48690	P48690	P48690
17	Coupler Key (Straight) Aug. 1989 (H98) and After	P49373	P49373	P49373	P49373
17	Coupler Key (Woodruff) July 1989 (G98) and Before	H32600	H32600	H32600	H32600
	Seal or Packing	See Table A, B, C or D, Page 55			
16	Coupler	See Coupler Selection Table, Page 53			
ANSI/OSHA Coupling Guard & Support Bracket Kit Selection, See Page 54					
PARTS FOR PUMPS WITH 1 1/4" SHAFT AT SEAL					
2	Impeller (State Diameter) 9 1/2" Full Dia.	P78523	P78523	P78253 [†]	P78523
8	Impeller Capscrew	P52350	P52350	P52350	P52350
9	Impeller Lockwasher	J23874	J23874	J23874	J23874
10	Impeller Washer	P46380	P46380	P46381	P46390
20	Impeller Key (Straight) Aug. 1989 (H98) and After	P49369	P49369	P49369	P49369
20	Impeller Key (Woodruff) July 1989 (G98) and Before	H32500	H32500	H32500	H32500
4	Volute Coverplate	P85031	P85031	P85031	P85033
44	Bracket	P85023	P85023	P85023	P85023
18	Bearing Frame Assembly Consisting of:	185321	185321	185321	P85005
33	Bearing Frame	P85014	P85014	P85014	P85014
35	Shaft	P85017	P85017	P85017	P84999
36	Bearing Cap	P85020	P85020	P85020	P85020
41	Ball Bearing – Pump End	186002	186002	186002	186002
42	Ball Bearing – Coupler End	186001	186001	186001	186001
34	Spring Washer	J92558	J92558	J92558	J92558
37	Bearing Cap Capscrew (4)	P32000	P32000	P32000	P32000
19	Water Slinger	P53550	P53550	P53550	P53550
PARTS FOR PUMPS WITH 1 5/8" SHAFT AT SEAL					
2	Impeller (State Diameter) 9 1/2" Full Dia.	P78251	P78251	P78522 [†]	P78251
8	Impeller Capscrew	P13800	P13800	P13800	P13800
9	Impeller Lockwasher	J23875	J23875	J23875	J23875
10	Impeller Washer	P51230	P51230	P46382	P51250
20	Impeller Key (Straight) Aug. 1989 (H98) and After	P49372	P49372	P49372	P49372
20	Impeller Key (Woodruff) July 1989 (G98) and Before	H32700	H32700	H32700	H32700
4	Volute Coverplate	P85039	P85039	P85039	P85041
44	Bracket	P85025	P85025	P85025	P85025
18	Bearing Frame Assembly Consisting of:	185323	185323	185323	P85006
33	Bearing Frame	P85016	P85016	P85016	P85016
35	Shaft	P85018	P85018	P85018	P85000
36	Bearing Cap	P85065	P85065	P85065	P85065
41	Ball Bearing – Pump End	186571	186571	186571	186571
42	Ball Bearing – Coupler End	186572	186572	186572	186572
34	Spring Washer	J92560	J92560	J92560	J92560
37	Bearing Cap Capscrew (4)	DJ0034	DJ0034	DJ0034	DJ0034
19	Water Slinger	P77320	P77320	P77320	P77320

N/A — NO LONGER AVAILABLE

**The impeller and/or volute are no longer available. This pump can be converted to the current style pump by ordering both the current style impeller and current style volute.

■ — Factory recommended spare parts.

[†]Consult factory for delivery.

1¹/₄BC

ITEM NO.	DESCRIPTION	PUMP CONSTRUCTION			
		BRONZE FITTED	BRONZE FITTED W/WEAR RING	ALL IRON	ALL BRONZE
PARTS COMMON TO BOTH SIZE PUMPS					
1	Volute	P41620	P44142*	P41620	P41622 [†]
	Wear Ring	—	P46700	—	—
	Volute Drain Plug (4)	P39020	P39020	P39030	P39470
5	Volute Capscrew (12)	P03470	P03470	P03470	S04180
3	Volute Gasket	P48690	P48690	P48690	P48690
17	Coupler Key (Straight) Aug. 1989 (H98) and After	P49373	P49373	P49373	P49373
17	Coupler Key (Woodruff) July 1989 (G98) and Before	H32600	H32600	H32600	H32600
	Seal or Packing	See Table A, B, C or D, Page 55			
16	Coupler	See Coupler Selection Table, Page 53			
ANSI/OSHA Coupling Guard & Support Bracket Kit Selection, See Page 54					
PARTS FOR PUMPS WITH 1¹/₄" SHAFT AT SEAL					
2	Impeller (State Diameter) 9 ¹ / ₂ " Full Dia.	P50666	P50666	P50678 [†]	P50666
8	Impeller Capscrew	P52350	P52350	P52350	P52350
9	Impeller Lockwasher	J23874	J23874	J23874	J23874
10	Impeller Washer	P46380	P46380	P46381	P46390
20	Impeller Key (Straight) Aug. 1989 (H98) and After	P49369	P49369	P49369	P49369
20	Impeller Key (Woodruff) July 1989 (G98) and Before	H32500	H32500	H32500	H32500
4	Volute Coverplate	P85031	P85031	P85031	P85033
44	Bracket	P85023	P85023	P85023	P85023
18	Bearing Frame Assembly Consisting of:	185321	185321	185321	P85005
33	Bearing Frame	P85014	P85014	P85014	P85014
35	Shaft	P85017	P85017	P85017	P84999
36	Bearing Cap	P85020	P85020	P85020	P85020
41	Ball Bearing – Pump End	186002	186002	186002	186002
42	Ball Bearing – Coupler End	186001	186001	186001	186001
34	Spring Washer	J92558	J92558	J92558	J92558
37	Bearing Cap Capscrew (4)	P32000	P32000	P32000	P32000
19	Water Slinger	P53550	P53550	P53550	P53550
PARTS FOR PUMPS WITH 1⁵/₈" SHAFT AT SEAL					
2	Impeller (State Diameter) 9 ¹ / ₂ " Full Dia.	P50674	P50674	P50682 [†]	P50674
8	Impeller Capscrew	P13800	P13800	P13800	P13800
9	Impeller Lockwasher	J23875	J23875	J23875	J23875
10	Impeller Washer	P51230	P51230	P46382	P51250
20	Impeller Key (Straight) Aug. 1989 (H98) and After	P49372	P49372	P49372	P49372
20	Impeller Key (Woodruff) July 1989 (G98) and Before	H32700	H32700	H32700	H32700
4	Volute Coverplate	P85039	P85039	P85039	P85041
44	Bracket	P85025	P85025	P85025	P85025
18	Bearing Frame Assembly Consisting of:	185323	185323	185323	P85006
33	Bearing Frame	P85016	P85016	P85016	P85016
35	Shaft	P85018	P85018	P85018	P85000
36	Bearing Cap	P85065	P85065	P85065	P85065
41	Ball Bearing – Pump End	186571	186571	186571	186571
42	Ball Bearing – Coupler End	186572	186572	186572	186572
34	Spring Washer	J92560	J92560	J92560	J92560
37	Bearing Cap Capscrew (4)	DJ0034	DJ0034	DJ0034	DJ0034
19	Water Slinger	P77320	P77320	P77320	P77320

*Includes Wear Ring.

■ – Factory recommended spare parts.

[†]Consult factory for delivery.

1 1/2BB & 1 1/2BC

ITEM NO.	DESCRIPTION	PUMP CONSTRUCTION			
		BRONZE FITTED	BRONZE FITTED W/WEAR RING	ALL IRON	ALL BRONZE
PARTS COMMON TO BOTH SIZE PUMPS					
1	Volute	P41780	P44136*	P41780	P41800†
	Wear Ring	—	P48660	—	—
	Volute Drain Plug (4)	P39020	P39020	P39030	P39470
5	Volute Capscrew (12)	P03470	P03470	P03470	S04180
3	Volute Gasket	P48690	P48690	P48690	P48690
17	Coupler Key (Straight) Aug. 1989 (H98) and After	P49373	P49373	P49373	P49373
17	Coupler Key (Woodruff) July 1989 (G98) and Before	H32600	H32600	H32600	H32600
	Seal or Packing	See Table A, B, C or D, Page 55			
16	Coupler	See Coupler Selection Table, Page 53			
ANSI/OSHA Coupling Guard & Support Bracket Kit Selection, See Page 54					
PARTS FOR PUMPS WITH 1 1/4" SHAFT AT SEAL					
2	Impeller (State Diameter) 9 1/2" Full Dia.	P78523	P78523	P78253†	P78523
8	Impeller Capscrew	P52350	P52350	P52350	P52350
9	Impeller Lockwasher	J23874	J23874	J23874	J23874
10	Impeller Washer	P46380	P46380	P46381	P46390
20	Impeller Key (Straight) Aug. 1989 (H98) and After	P49369	P49369	P49369	P49369
20	Impeller Key (Woodruff) July 1989 (G98) and Before	H32500	H32500	H32500	H32500
4	Volute Coverplate	P85031	P85031	P85031	P85033
44	Bracket	P85023	P85023	P85023	P85023
18	Bearing Frame Assembly Consisting of:	185321	185321	185321	P85005
33	Bearing Frame	P85014	P85014	P85014	P85014
35	Shaft	P85017	P85017	P85017	P84999
36	Bearing Cap	P85020	P85020	P85020	P85020
41	Ball Bearing – Pump End	186002	186002	186002	186002
42	Ball Bearing – Coupler End	186001	186001	186001	186001
34	Spring Washer	J92558	J92558	J92558	J92558
37	Bearing Cap Capscrew (4)	P32000	P32000	P32000	P32000
19	Water Slinger	P53550	P53550	P53550	P53550
PARTS FOR PUMPS WITH 1 5/8" SHAFT AT SEAL					
2	Impeller (State Diameter) 9 1/2" Full Dia.	P78251	P78251	P78522†	P78251
8	Impeller Capscrew	P13800	P13800	P13800	P13800
9	Impeller Lockwasher	J23875	J23875	J23875	J23875
10	Impeller Washer	P51230	P51230	P46382	P51250
20	Impeller Key (Straight) Aug. 1989 (H98) and After	P49372	P49372	P49372	P49372
20	Impeller Key (Woodruff) July 1989 (G98) and Before	H32700	H32700	H32700	H32700
4	Volute Coverplate	P85039	P85039	P85039	P85041
44	Bracket	P85025	P85025	P85025	P85025
18	Bearing Frame Assembly Consisting of:	185323	185323	185323	P85006
33	Bearing Frame	P85016	P85016	P85016	P85016
35	Shaft	P85018	P85018	P85018	P85000
36	Bearing Cap	P85065	P85065	P85065	P85065
41	Ball Bearing – Pump End	186571	186571	186571	186571
42	Ball Bearing – Coupler End	186572	186572	186572	186572
34	Spring Washer	J92560	J92560	J92560	J92560
37	Bearing Cap Capscrew (4)	DJ0034	DJ0034	DJ0034	DJ0034
19	Water Slinger	P77320	P77320	P77320	P77320

*Includes Wear Ring.

■ – Factory recommended spare parts.

†Consult factory for delivery.

2BB

ITEM NO.	DESCRIPTION	PUMP CONSTRUCTION			
		BRONZE FITTED	BRONZE FITTED W/WEAR RING	ALL IRON	ALL BRONZE
PARTS COMMON TO BOTH SIZE PUMPS					
1	Volute	N/A**	N/A**	N/A**	N/A**
	Wear Ring	—	P49130	—	—
	Volute Drain Plug (4)	P39040	P39040	P39050	P39480
3	Volute Capscrew (12)	P03470	P03470	P03470	S04180
5	Volute Gasket	P48690	P48690	P48690	P48690
17	Coupler Key (Straight) Aug. 1989 (H98) and After	P49373	P49373	P49373	P49373
17	Coupler Key (Woodruff) July 1989 (G98) and Before	H32600	H32600	H32600	H32600
	Seal or Packing	See Table A, B, C or D, Page 55			
16	Coupler	See Coupler Selection Table, Page 53			
ANSI/OSHA Coupling Guard & Support Bracket Kit Selection, See Page 54					
PARTS FOR PUMPS WITH 1 1/4" SHAFT AT SEAL					
2	Impeller (State Diameter) 9 1/2" Full Dia.	P78525 [†]	P78525 [†]	P78486 [†]	P78525 [†]
8	Impeller Capscrew	P52350	P52350	P52350	P52350
9	Impeller Lockwasher	J23874	J23874	J23874	J23874
10	Impeller Washer	P46380	P46380	P46381	P46390
20	Impeller Key (Straight) Aug. 1989 (H98) and After	P49369	P49369	P49369	P49369
20	Impeller Key (Woodruff) July 1989 (G98) and Before	H32500	H32500	H32500	H32500
4	Volute Coverplate	P85031	P85031	P85031	P85033
44	Bracket	P85023	P85023	P85023	P85023
18	Bearing Frame Assembly Consisting of:	185321	185321	185321	P85005
33	Bearing Frame	P85014	P85014	P85014	P85014
35	Shaft	P85017	P85017	P85017	P84999
36	Bearing Cap	P85020	P85020	P85020	P85020
41	Ball Bearing – Pump End	186002	186002	186002	186002
42	Ball Bearing – Coupler End	186001	186001	186001	186001
34	Spring Washer	J92558	J92558	J92558	J92558
37	Bearing Cap Capscrew (4)	P32000	P32000	P32000	P32000
19	Water Slinger	P53550	P53550	P53550	P53550
PARTS FOR PUMPS WITH 1 5/8" SHAFT AT SEAL					
2	Impeller (State Diameter) 9 1/2" Full Dia.	P78255 [†]	P78255 [†]	N/A**	P78255 [†]
8	Impeller Capscrew	P13800	P13800	P13800	P13800
9	Impeller Lockwasher	J23875	J23875	J23875	J23875
10	Impeller Washer	P51230	P51230	P46382	P51250
20	Impeller Key (Straight) Aug. 1989 (H98) and After	P49372	P49372	P49372	P49372
20	Impeller Key (Woodruff) July 1989 (G98) and Before	H32700	H32700	H32700	H32700
4	Volute Coverplate	P85039	P85039	P85039	P85041
44	Bracket	P85025	P85025	P85025	P85025
18	Bearing Frame Assembly Consisting of:	185323	185323	185323	P85006
33	Bearing Frame	P85016	P85016	P85016	P85016
35	Shaft	P85018	P85018	P85018	P85000
36	Bearing Cap	P85065	P85065	P85065	P85065
41	Ball Bearing – Pump End	186571	186571	186571	186571
42	Ball Bearing – Coupler End	186572	186572	186572	186572
34	Spring Washer	J92560	J92560	J92560	J92560
37	Bearing Cap Capscrew (4)	DJ0034	DJ0034	DJ0034	DJ0034
19	Water Slinger	P77320	P77320	P77320	P77320

N/A — NO LONGER AVAILABLE

**The impeller and/or volute are no longer available. This pump can be converted to the current style pump by ordering both the current style impeller and current style volute.

— Factory recommended spare parts.

[†]Consult factory for delivery.

2BC

ITEM NO.	DESCRIPTION	PUMP CONSTRUCTION			
		BRONZE FITTED	BRONZE FITTED W/WEAR RING	ALL IRON	ALL BRONZE
PARTS COMMON TO BOTH SIZE PUMPS					
1	Volute	P42264	P44144*	P42264	P42266†
	Wear Ring	—	P49130	—	—
	Volute Drain Plug (4)	P39040	P39040	P39050	P39480
5	Volute Capscrew (12)	P03470	P03470	P03470	S04180
3	Volute Gasket	P48690	P48690	P48690	P48690
17	Coupler Key (Straight) Aug. 1989 (H98) and After	P49373	P49373	P49373	P49373
17	Coupler Key (Woodruff) July 1989 (G98) and Before	H32600	H32600	H32600	H32600
	Seal or Packing	See Table A, B, C or D, Page 55			
16	Coupler	See Coupler Selection Table, Page 53			
ANSI/OSHA Coupling Guard & Support Bracket Kit Selection, See Page 54					
PARTS FOR PUMPS WITH 1 1/4" SHAFT AT SEAL					
2	Impeller (State Diameter) 9 1/2" Full Dia.	P50700	P50700	P50712†	P50700
8	Impeller Capscrew	P52350	P52350	P52350	P52350
9	Impeller Lockwasher	J23874	J23874	J23874	J23874
10	Impeller Washer	P46380	P46380	P46381	P46390
20	Impeller Key (Straight) Aug. 1989 (H98) and After	P49369	P49369	P49369	P49369
20	Impeller Key (Woodruff) July 1989 (G98) and Before	H32500	H32500	H32500	H32500
4	Volute Coverplate	P85031	P85031	P85031	P85033
44	Bracket	P85023	P85023	P85023	P85023
18	Bearing Frame Assembly Consisting of:	185321	185321	185321	P85005
33	Bearing Frame	P85014	P85014	P85014	P85014
35	Shaft	P85017	P85017	P85017	P84999
36	Bearing Cap	P85020	P85020	P85020	P85020
41	Ball Bearing – Pump End	186002	186002	186002	186002
42	Ball Bearing – Coupler End	186001	186001	186001	186001
34	Spring Washer	J92558	J92558	J92558	J92558
37	Bearing Cap Capscrew (4)	P32000	P32000	P32000	P32000
19	Water Slinger	P53550	P53550	P53550	P53550
PARTS FOR PUMPS WITH 1 5/8" SHAFT AT SEAL					
2	Impeller (State Diameter) 9 1/2" Full Dia.	P50707	P50707	P50714†	P50707
8	Impeller Capscrew	P13800	P13800	P13800	P13800
9	Impeller Lockwasher	J23875	J23875	J23875	J23875
10	Impeller Washer	P51230	P51230	P46382	P51250
20	Impeller Key (Straight) Aug. 1989 (H98) and After	P49372	P49372	P49372	P49372
20	Impeller Key (Woodruff) July 1989 (G98) and Before	H32700	H32700	H32700	H32700
4	Volute Coverplate	P85039	P85039	P85039	P85041
44	Bracket	P85025	P85025	P85025	P85025
18	Bearing Frame Assembly Consisting of:	185323	185323	185323	P85006
33	Bearing Frame	P85016	P85016	P85016	P85016
35	Shaft	P85018	P85018	P85018	P85000
36	Bearing Cap	P85065	P85065	P85065	P85065
41	Ball Bearing – Pump End	186571	186571	186571	186571
42	Ball Bearing – Coupler End	186572	186572	186572	186572
34	Spring Washer	J92560	J92560	J92560	J92560
37	Bearing Cap Capscrew (4)	DJ0034	DJ0034	DJ0034	DJ0034
19	Water Slinger	P77320	P77320	P77320	P77320

*Includes Wear Ring.

■ – Factory recommended spare parts.

†Consult factory for delivery.

2 1/2B

ITEM NO.	DESCRIPTION	PUMP CONSTRUCTION			
		BRONZE FITTED	BRONZE FITTED W/WEAR RING	ALL IRON	ALL BRONZE
PARTS COMMON TO BOTH SIZE PUMPS					
1	Volute	N/A**	N/A**	N/A**	N/A**
	Wear Ring	—	P49130	—	—
	Volute Drain Plug (4)	P39040	P39040	P39050	P39480
3	Volute Capscrew (12)	P03470	P03470	P03470	S04180
5	Volute Gasket	P48690	P48690	P48690	P48690
17	Coupler Key (Straight) Aug. 1989 (H98) and After	P49373	P49373	P49373	P49373
17	Coupler Key (Woodruff) July 1989 (G98) and Before	H32600	H32600	H32600	H32600
	Seal or Packing	See Table A, B, C or D, Page 55			
16	Coupler	See Coupler Selection Table, Page 53			
ANSI/OSHA Coupling Guard & Support Bracket Kit Selection, See Page 54					
PARTS FOR PUMPS WITH 1 1/4" SHAFT AT SEAL					
2	Impeller (State Diameter) 9 1/2" Full Dia.	P78525 [†]	P78525 [†]	P78486 [†]	P78525 [†]
8	Impeller Capscrew	P52350	P52350	P52350	P52350
9	Impeller Lockwasher	J23874	J23874	J23874	J23874
10	Impeller Washer	P46380	P46380	P46381	P46390
20	Impeller Key (Straight) Aug. 1989 (H98) and After	P49369	P49369	P49369	P49369
20	Impeller Key (Woodruff) July 1989 (G98) and Before	H32500	H32500	H32500	H32500
4	Volute Coverplate	P85031	P85031	P85031	P85033
44	Bracket	P85023	P85023	P85023	P85023
18	Bearing Frame Assembly Consisting of:	185321	185321	185321	P85005
33	Bearing Frame	P85014	P85014	P85014	P85014
35	Shaft	P85017	P85017	P85017	P84999
36	Bearing Cap	P85020	P85020	P85020	P85020
41	Ball Bearing – Pump End	186002	186002	186002	186002
42	Ball Bearing – Coupler End	186001	186001	186001	186001
34	Spring Washer	J92558	J92558	J92558	J92558
37	Bearing Cap Capscrew (4)	P32000	P32000	P32000	P32000
19	Water Slinger	P53550	P53550	P53550	P53550
PARTS FOR PUMPS WITH 1 5/8" SHAFT AT SEAL					
2	Impeller (State Diameter) 9 1/2" Full Dia.	P78255 [†]	P78255 [†]	N/A**	P78255 [†]
8	Impeller Capscrew	P13800	P13800	P13800	P13800
9	Impeller Lockwasher	J23875	J23875	J23875	J23875
10	Impeller Washer	P51230	P51230	P46382	P51250
20	Impeller Key (Straight) Aug. 1989 (H98) and After	P49372	P49372	P49372	P49372
20	Impeller Key (Woodruff) July 1989 (G98) and Before	H32700	H32700	H32700	H32700
4	Volute Coverplate	P85039	P85039	P85039	P85041
44	Bracket	P85025	P85025	P85025	P85025
18	Bearing Frame Assembly Consisting of:	185323	185323	185323	P85006
33	Bearing Frame	P85016	P85016	P85016	P85016
35	Shaft	P85018	P85018	P85018	P85000
36	Bearing Cap	P85065	P85065	P85065	P85065
41	Ball Bearing – Pump End	186571	186571	186571	186571
42	Ball Bearing – Coupler End	186572	186572	186572	186572
34	Spring Washer	J92560	J92560	J92560	J92560
37	Bearing Cap Capscrew (4)	DJ0034	DJ0034	DJ0034	DJ0034
19	Water Slinger	P77320	P77320	P77320	P77320

N/A — NO LONGER AVAILABLE

**The impeller and/or volute are no longer available. This pump can be converted to the current style pump by ordering both the current style impeller and current style volute.

— Factory recommended spare parts.

[†]Consult factory for delivery.

2¹/₂BB

ITEM NO.	DESCRIPTION	PUMP CONSTRUCTION			
		BRONZE FITTED	BRONZE FITTED W/WEAR RING	ALL IRON	ALL BRONZE
PARTS COMMON TO BOTH SIZE PUMPS					
1	Volute	P42542	P44146*	P42542	P42544 [†]
	Wear Ring	—	P49870	—	—
	Volute Drain Plug (4)	P39040	P39040	P39050	P39480
5	Volute Capscrew (12)	P03470	P03470	P03470	S04180
3	Volute Gasket	P48690	P48690	P48690	P48690
17	Coupler Key (Straight) Aug. 1989 (H98) and After	P49373	P49373	P49373	P49373
17	Coupler Key (Woodruff) July 1989 (G98) and Before	H32600	H32600	H32600	H32600
	Seal or Packing	See Table A, B, C or D, Page 55			
16	Coupler	See Coupler Selection Table, Page 53			
ANSI/OSHA Coupling Guard & Support Bracket Kit Selection, See Page 54					
PARTS FOR PUMPS WITH 1¹/₄" SHAFT AT SEAL					
2	Impeller (State Diameter) 9 ¹ / ₂ " Full Dia.	P50732	P50732	P50744 [†]	P50732
8	Impeller Capscrew	P52350	P52350	P52350	P52350
9	Impeller Lockwasher	J23874	J23874	J23874	J23874
10	Impeller Washer	P46380	P46380	P46381	P46390
20	Impeller Key (Straight) Aug. 1989 (H98) and After	P49369	P49369	P49369	P49369
20	Impeller Key (Woodruff) July 1989 (G98) and Before	H32500	H32500	H32500	H32500
4	Volute Coverplate	P85031	P85031	P85031	P85033
44	Bracket	P85023	P85023	P85023	P85023
18	Bearing Frame Assembly Consisting of:	185321	185321	185321	P85005
33	Bearing Frame	P85014	P85014	P85014	P85014
35	Shaft	P85017	P85017	P85017	P84999
36	Bearing Cap	P85020	P85020	P85020	P85020
41	Ball Bearing – Pump End	186002	186002	186002	186002
42	Ball Bearing – Coupler End	186001	186001	186001	186001
34	Spring Washer	J92558	J92558	J92558	J92558
37	Bearing Cap Capscrew (4)	P32000	P32000	P32000	P32000
19	Water Slinger	P53550	P53550	P53550	P53550
PARTS FOR PUMPS WITH 1⁵/₈" SHAFT AT SEAL					
2	Impeller (State Diameter) 9 ¹ / ₂ " Full Dia.	P50739	P50739	P50746 [†]	P50739
8	Impeller Capscrew	P13800	P13800	P13800	P13800
9	Impeller Lockwasher	J23875	J23875	J23875	J23875
10	Impeller Washer	P51230	P51230	P46382	P51250
20	Impeller Key (Straight) Aug. 1989 (H98) and After	P49372	P49372	P49372	P49372
20	Impeller Key (Woodruff) July 1989 (G98) and Before	H32700	H32700	H32700	H32700
4	Volute Coverplate	P85039	P85039	P85039	P85041
44	Bracket	P85025	P85025	P85025	P85025
18	Bearing Frame Assembly Consisting of:	185323	185323	185323	P85006
33	Bearing Frame	P85016	P85016	P85016	P85016
35	Shaft	P85018	P85018	P85018	P85000
36	Bearing Cap	P85065	P85065	P85065	P85065
41	Ball Bearing – Pump End	186571	186571	186571	186571
42	Ball Bearing – Coupler End	186572	186572	186572	186572
34	Spring Washer	J92560	J92560	J92560	J92560
37	Bearing Cap Capscrew (4)	DJ0034	DJ0034	DJ0034	DJ0034
19	Water Slinger	P77320	P77320	P77320	P77320

*Includes Wear Ring.

■ – Factory recommended spare parts.

[†]Consult factory for delivery.

3BB

ITEM NO.	DESCRIPTION	PUMP CONSTRUCTION			
		BRONZE FITTED	BRONZE FITTED W/WEAR RING	ALL IRON	ALL BRONZE
PARTS COMMON TO BOTH SIZE PUMPS					
1	Volute	P42740 [†]	N/A**	P42740 [†]	N/A
	Wear Ring	—	P50590	—	—
	Volute Drain Plug (4)	P39040	P39040	P39050	P39480
5	Volute Capscrew (12)	P03470	P03470	P03470	S04180
3	Volute Gasket	P48690	P48690	P48690	P48690
17	Coupler Key (Straight) Aug. 1989 (H98) and After	P49373	P49373	P49373	P49373
17	Coupler Key (Woodruff) July 1989 (G98) and Before	H32600	H32600	H32600	H32600
	Seal or Packing	See Table A, B, C or D, Page 55			
16	Coupler	See Coupler Selection Table, Page 53			
ANSI/OSHA Coupling Guard & Support Bracket Kit Selection, See Page 54					
PARTS FOR PUMPS WITH 1 1/4" SHAFT AT SEAL					
2	Impeller (State Diameter) 9 1/2" Full Dia.	P49620 [†]	P49620 [†]	P49600 [†]	P49620 [†]
8	Impeller Capscrew	P52350	P52350	P52350	P52350
9	Impeller Lockwasher	J23874	J23874	J23874	J23874
10	Impeller Washer	P46380	P46380	P46381	P46390
20	Impeller Key (Straight) Aug. 1989 (H98) and After	P49369	P49369	P49369	P49369
20	Impeller Key (Woodruff) July 1989 (G98) and Before	H32500	H32500	H32500	H32500
4	Volute Coverplate	P85031	P85031	P85031	P85033
44	Bracket	P85023	P85023	P85023	P85023
18	Bearing Frame Assembly Consisting of:	185321	185321	185321	P85005
33	Bearing Frame	P85014	P85014	P85014	P85014
35	Shaft	P85017	P85017	P85017	P84999
36	Bearing Cap	P85020	P85020	P85020	P85020
41	Ball Bearing – Pump End	186002	186002	186002	186002
42	Ball Bearing – Coupler End	186001	186001	186001	186001
34	Spring Washer	J92558	J92558	J92558	J92558
37	Bearing Cap Capscrew (4)	P32000	P32000	P32000	P32000
19	Water Slinger	P53550	P53550	P53550	P53550
PARTS FOR PUMPS WITH 1 5/8" SHAFT AT SEAL					
2	Impeller (State Diameter) 9 1/2" Full Dia.	P49640	P49640	P49660	P49640
8	Impeller Capscrew	P13800	P13800	P13800	P13800
9	Impeller Lockwasher	J23875	J23875	J23875	J23875
10	Impeller Washer	P51230	P51230	P46382	P51250
20	Impeller Key (Straight) Aug. 1989 (H98) and After	P49372	P49372	P49372	P49372
20	Impeller Key (Woodruff) July 1989 (G98) and Before	H32700	H32700	H32700	H32700
4	Volute Coverplate	P85039	P85039	P85039	P85041
44	Bracket	P85025	P85025	P85025	P85025
18	Bearing Frame Assembly Consisting of:	185323	185323	185323	P85006
33	Bearing Frame	P85016	P85016	P85016	P85016
35	Shaft	P85018	P85018	P85018	P85000
36	Bearing Cap	P85065	P85065	P85065	P85065
41	Ball Bearing – Pump End	186571	186571	186571	186571
42	Ball Bearing – Coupler End	186572	186572	186572	186572
34	Spring Washer	J92560	J92560	J92560	J92560
37	Bearing Cap Capscrew (4)	DJ0034	DJ0034	DJ0034	DJ0034
19	Water Slinger	P77320	P77320	P77320	P77320

N/A — NO LONGER AVAILABLE

**The impeller and/or volute are no longer available. This pump can be converted to the current style pump by ordering both the current style impeller and current style volute.

— Factory recommended spare parts.

[†]Consult factory for delivery.

3BC

ITEM NO.	DESCRIPTION	PUMP CONSTRUCTION			
		BRONZE FITTED	BRONZE FITTED W/WEAR RING	ALL IRON	ALL BRONZE
PARTS COMMON TO BOTH SIZE PUMPS					
1	Volute	P71536	P71537*	P71536	
	Wear Ring	—	P50590	—	
	Volute Drain Plug (4)	P39040	P39040	P39050	
5	Volute Capscrew (12)	P03470	P03470	P03470	
3	Volute Gasket	P48690	P48690	P48690	
17	Coupler Key (Straight) Aug. 1989 (H98) and After	P49373	P49373	P49373	
17	Coupler Key (Woodruff) July 1989 (G98) and Before	H32600	H32600	H32600	
	Seal or Packing	See Table A, B, C or D, Page 55			
16	Coupler	See Coupler Selection Table, Page 53			
ANSI/OSHA Coupling Guard & Support Bracket Kit Selection, See Page 54					
PARTS FOR PUMPS WITH 1 1/4" SHAFT AT SEAL					
2	Impeller (State Diameter) 9 1/2" Full Dia.	P71542	P71542	P71548†	
8	Impeller Capscrew	P52350	P52350	P52350	
9	Impeller Lockwasher	J23874	J23874	J23874	
10	Impeller Washer	P46380	P46380	P46381	
20	Impeller Key (Straight) Aug. 1989 (H98) and After	P49369	P49369	P49369	
20	Impeller Key (Woodruff) July 1989 (G98) and Before	H32500	H32500	H32500	
4	Volute Coverplate	P85031	P85031	P85031	
44	Bracket	P85023	P85023	P85023	
18	Bearing Frame Assembly Consisting of:	185321	185321	185321	
33	Bearing Frame	P85014	P85014	P85014	
35	Shaft	P85017	P85017	P85017	
36	Bearing Cap	P85020	P85020	P85020	
41	Ball Bearing – Pump End	186002	186002	186002	
42	Ball Bearing – Coupler End	186001	186001	186001	
34	Spring Washer	J92558	J92558	J92558	
37	Bearing Cap Capscrew (4)	P32000	P32000	P32000	
19	Water Slinger	P53550	P53550	P53550	
PARTS FOR PUMPS WITH 1 5/8" SHAFT AT SEAL					
2	Impeller (State Diameter) 9 1/2" Full Dia.	P71545	P71545	P71551†	
8	Impeller Capscrew	P13800	P13800	P13800	
9	Impeller Lockwasher	J23875	J23875	J23875	
10	Impeller Washer	P51230	P51230	P46382	
20	Impeller Key (Straight) Aug. 1989 (H98) and After	P49372	P49372	P49372	
20	Impeller Key (Woodruff) July 1989 (G98) and Before	H32700	H32700	H32700	
4	Volute Coverplate	P85039	P85039	P85039	
44	Bracket	P85025	P85025	P85025	
18	Bearing Frame Assembly Consisting of:	185323	185323	185323	
33	Bearing Frame	P85016	P85016	P85016	
35	Shaft	P85018	P85018	P85018	
36	Bearing Cap	P85065	P85065	P85065	
41	Ball Bearing – Pump End	186571	186571	186571	
42	Ball Bearing – Coupler End	186572	186572	186572	
34	Spring Washer	J92560	J92560	J92560	
37	Bearing Cap Capscrew (4)	DJ0034	DJ0034	DJ0034	
19	Water Slinger	P77320	P77320	P77320	

NOT OFFERED

*Includes Wear Ring.

■ – Factory recommended spare parts.

†Consult factory for delivery.

4BB

ITEM NO.	DESCRIPTION	PUMP CONSTRUCTION			
		BRONZE FITTED	BRONZE FITTED W/WEAR RING	ALL IRON	ALL BRONZE
PARTS COMMON TO BOTH SIZE PUMPS					
1	Volute	N/A**	N/A**	N/A**	N/A
	Wear Ring	—	N/A	—	—
	Volute Drain Plug (4)	P39040	P39040	P39050	P39480
3	Volute Capscrew (12)	P03470	P03470	P03470	S04180
5	Volute Gasket	P48690	P48690	P48690	P48690
17	Coupler Key (Straight) Aug. 1989 (H98) and After	P49373	P49373	P49373	P49373
17	Coupler Key (Woodruff) July 1989 (G98) and Before	H32600	H32600	H32600	H32600
	Seal or Packing	See Table A, B, C or D, Page 55			
16	Coupler	See Coupler Selection Table, Page 53			
ANSI/OSHA Coupling Guard & Support Bracket Kit Selection, See Page 54					
PARTS FOR PUMPS WITH 1 1/4" SHAFT AT SEAL					
2	Impeller (State Diameter) 9 1/2" Full Dia.	P50550 ¹	P50550 ¹	P50390 ¹	P50550 ¹
8	Impeller Capscrew	P52350	P52350	P52350	P52350
9	Impeller Lockwasher	J23874	J23874	J23874	J23874
10	Impeller Washer	P46380	P46380	P46381	P46390
20	Impeller Key (Straight) Aug. 1989 (H98) and After	P49369	P49369	P49369	P49369
20	Impeller Key (Woodruff) July 1989 (G98) and Before	H32500	H32500	H32500	H32500
4	Volute Coverplate	P85031	P85031	P85031	P85033
44	Bracket	P85023	P85023	P85023	P85023
18	Bearing Frame Assembly Consisting of:	185321	185321	185321	P85005
33	Bearing Frame	P85014	P85014	P85014	P85014
35	Shaft	P85017	P85017	P84999	P84999
36	Bearing Cap	P85020	P85020	P85020	P85020
41	Ball Bearing – Pump End	186002	186002	186002	186002
42	Ball Bearing – Coupler End	186001	186001	186001	186001
34	Spring Washer	J92558	J92558	J92558	J92558
37	Bearing Cap Capscrew (4)	P32000	P32000	P32000	P32000
19	Water Slinger	P53550	P53550	P53550	P53550
PARTS FOR PUMPS WITH 1 5/8" SHAFT AT SEAL					
2	Impeller (State Diameter) 9 1/2" Full Dia.	P50570 ¹	P50570 ¹	P50330 ¹	P50570 ¹
8	Impeller Capscrew	P13800	P13800	P13800	P13800
9	Impeller Lockwasher	J23875	J23875	J23875	J23875
10	Impeller Washer	P51230	P51230	P46382	P51250
20	Impeller Key (Straight) Aug. 1989 (H98) and After	P49372	P49372	P49372	P49372
20	Impeller Key (Woodruff) July 1989 (G98) and Before	H32700	H32700	H32700	H32700
4	Volute Coverplate	P85039	P85039	P85039	P85041
44	Bracket	P85025	P85025	P85025	P85025
18	Bearing Frame Assembly Consisting of:	185323	185323	185323	P85006
33	Bearing Frame	P85016	P85016	P85016	P85016
35	Shaft	P85018	P85018	P85018	P85000
36	Bearing Cap	P85065	P85065	P85065	P85065
41	Ball Bearing – Pump End	186571	186571	186571	186571
42	Ball Bearing – Coupler End	186572	186572	186572	186572
34	Spring Washer	J92560	J92560	J92560	J92560
37	Bearing Cap Capscrew (4)	DJ0034	DJ0034	DJ0034	DJ0034
19	Water Slinger	P77320	P77320	P77320	P77320

N/A — NO LONGER AVAILABLE

**The impeller and/or volute are no longer available. This pump can be converted to the current style pump by ordering both the current style impeller and current style volute.

■ — Factory recommended spare parts.

¹Consult factory for delivery.

4BC

ITEM NO.	DESCRIPTION	PUMP CONSTRUCTION			ALL BRONZE	
		BRONZE FITTED	BRONZE FITTED W/WEAR RING	ALL IRON		
1	Volute	P43362	P44147*	P43362	NOT OFFERED	
	Wear Ring	—	P49142	—		
	Volute Drain Plug (4)	P39040	P39040	P39050		
5	Volute Capscrew (12)	P03470	P03470	P03470		
3	Volute Gasket	P48690	P48690	P48690		
17	Coupler Key (Straight) Aug. 1989 (H98) and After	P49373	P49373	P49373		
17	Coupler Key (Woodruff) July 1989 (G98) and Before	H32600	H32600	H32600		
	Seal or Packing	See Table A, B, C or D, Page 55				
16	Coupler	See Coupler Selection Table, Page 53				
ANSI/OSHA Coupling Guard & Support Bracket Kit Selection, See Page 54						
2	Impeller (State Diameter) 9 1/2" Full Dia.	P50755	P50755	P50759 [†]		
8	Impeller Capscrew	P13800	P13800	P13800		
9	Impeller Lockwasher	J23875	J23875	J23875		
10	Impeller Washer	P51230	P51230	P46382		
20	Impeller Key (Straight) Aug. 1989 (H98) and After	P49372	P49372	P49372		
	Impeller Key (Woodruff) July 1989 (G98) and Before	H32700	H32700	H32700		
4	Volute Coverplate	P85039	P85039	P85039		
44	Bracket	P85025	P85025	P85025		
18	Bearing Frame Assembly Consisting of:	185323	185323	185323		
33	Bearing Frame	P85016	P85016	P85016		
35	Shaft	P85018	P85018	P85018		
36	Bearing Cap	P85065	P85065	P85065		
41	Ball Bearing – Pump End	186571	186571	186571		
42	Ball Bearing – Coupler End	186572	186572	186572		
34	Spring Washer	J92560	J92560	J92560		
37	Bearing Cap Capscrew (4)	DJ0034	DJ0034	DJ0034		
19	Water Slinger	P77320	P77320	P77320		

*Includes Wear Ring.

■ – Factory recommended spare parts.

[†]Consult factory for delivery.

5BB

ITEM NO.	DESCRIPTION	PUMP CONSTRUCTION			
		BRONZE FITTED	BRONZE FITTED W/WEAR RING	ALL IRON	ALL BRONZE
PARTS COMMON TO BOTH SIZE PUMPS					
1	Volute	N/A**	N/A**	N/A**	N/A
	Wear Ring	—	P50990	—	—
	Volute Drain Plug (4)	P39040	P39040	P39050	P39480
3	Volute Capscrew (12)	P03470	P03470	P03470	S04180
5	Volute Gasket	P48690	P48690	P48690	P48690
17	Coupler Key (Straight) Aug. 1989 (H98) and After	P49373	P49373	P49373	P49373
17	Coupler Key (Woodruff) July 1989 (G98) and Before	H32600	H32600	H32600	H32600
	Seal or Packing	See Table A, B, C or D, Page 55			
16	Coupler	See Coupler Selection Table, Page 53			
ANSI/OSHA Coupling Guard & Support Bracket Kit Selection, See Page 54					
PARTS FOR PUMPS WITH 1 1/4" SHAFT AT SEAL					
2	Impeller (State Diameter) 9 1/2" Full Dia.	P50930 ¹	P50930 ¹	N/A**	P50930 ¹
8	Impeller Capscrew	P52350	P52350	P52350	P52350
9	Impeller Lockwasher	J23874	J23874	J23874	J23874
10	Impeller Washer	P46380	P46380	P46381	P46390
20	Impeller Key (Straight) Aug. 1989 (H98) and After	P49369	P49369	P49369	P49369
20	Impeller Key (Woodruff) July 1989 (G98) and Before	H32500	H32500	H32500	H32500
4	Volute Coverplate	P85031	P85031	P85031	P85033
44	Bracket	P85023	P85023	P85023	P85023
18	Bearing Frame Assembly Consisting of:	185321	185321	185321	P85005
33	Bearing Frame	P85014	P85014	P85014	P85014
35	Shaft	P85017	P85017	P85017	P84999
36	Bearing Cap	P85020	P85020	P85020	P85020
41	Ball Bearing – Pump End	186002	186002	186002	186002
42	Ball Bearing – Coupler End	186001	186001	186001	186001
34	Spring Washer	J92558	J92558	J92558	J92558
37	Bearing Cap Capscrew (4)	P32000	P32000	P32000	P32000
19	Water Slinger	P53550	P53550	P53550	P53550
PARTS FOR PUMPS WITH 1 5/8" SHAFT AT SEAL					
2	Impeller (State Diameter) 9 1/2" Full Dia.	P50970 ¹	P50970 ¹	N/A**	P50970 ¹
8	Impeller Capscrew	P13800	P13800	P13800	P13800
9	Impeller Lockwasher	J23875	J23875	J23875	J23875
10	Impeller Washer	P51230	P51230	P46382	P51250
20	Impeller Key (Straight) Aug. 1989 (H98) and After	P49372	P49372	P49372	P49372
20	Impeller Key (Woodruff) July 1989 (G98) and Before	H32700	H32700	H32700	H32700
4	Volute Coverplate	P85039	P85039	P85039	P85041
44	Bracket	P85025	P85025	P85025	P85025
18	Bearing Frame Assembly Consisting of:	185323	185323	185323	P85006
33	Bearing Frame	P85016	P85016	P85016	P85016
35	Shaft	P85018	P85018	P85018	P85000
36	Bearing Cap	P85065	P85065	P85065	P85065
41	Ball Bearing – Pump End	186571	186571	186571	186571
42	Ball Bearing – Coupler End	186572	186572	186572	186572
34	Spring Washer	J92560	J92560	J92560	J92560
37	Bearing Cap Capscrew (4)	DJ0034	DJ0034	DJ0034	DJ0034
19	Water Slinger	P77320	P77320	P77320	P77320

N/A — NO LONGER AVAILABLE

**The impeller and/or volute are no longer available. This pump can be converted to the current style pump by ordering both the current style impeller and current style volute.

■ — Factory recommended spare parts.

¹Consult factory for delivery.

5BC

ITEM NO.	DESCRIPTION	PUMP CONSTRUCTION			ALL BRONZE	
		BRONZE FITTED	BRONZE FITTED W/WEAR RING	ALL IRON		
1	Volute	P43678	P43863*	P43678	NOT OFFERED	
	Wear Ring	—	P49143	—		
	Volute Drain Plug (4)	P39040	P39040	P39050		
5	Volute Capscrew (12)	P03470	P03470	P03470		
3	Volute Gasket	P48690	P48690	P48690		
17	Coupler Key (Straight) Aug. 1989 (H98) and After	P49373	P49373	P49373		
17	Coupler Key (Woodruff) July 1989 (G98) and Before	H32600	H32600	H32600		
	Seal or Packing	See Table A, B, C or D, Page 55				
16	Coupler	See Coupler Selection Table, Page 53				
ANSI/OSHA Coupling Guard & Support Bracket Kit Selection, See Page 54						
2	Impeller (State Diameter) 9 ¹ / ₂ " Full Dia.	P50832	P50832	P50834 [†]		
8	Impeller Capscrew	P13800	P13800	P13800		
9	Impeller Lockwasher	J23875	J23875	J23875		
10	Impeller Washer	P51230	P51230	P46382		
20	Impeller Key (Straight) Aug. 1989 (H98) and After	P49372	P49372	P49372		
20	Impeller Key (Woodruff) July 1989 (G98) and Before	H32700	H32700	H32700		
4	Volute Coverplate	P85039	P85039	P85039		
44	Bracket	P85025	P85025	P85025		
18	Bearing Frame Assembly Consisting of:	185323	185323	185323		
33	Bearing Frame	P85016	P85016	P85016		
35	Shaft	P85018	P85018	P85018		
36	Bearing Cap	P85065	P85065	P85065		
41	Ball Bearing – Pump End	186571	186571	186571		
42	Ball Bearing – Coupler End	186572	186572	186572		
34	Spring Washer	J92560	J92560	J92560		
37	Bearing Cap Capscrew (4)	DJ0034	DJ0034	DJ0034		
19	Water Slinger	P77320	P77320	P77320		

*Includes Wear Ring.

– Factory recommended spare parts.

[†]Consult factory for delivery.

6BB

ITEM NO.	DESCRIPTION	PUMP CONSTRUCTION			ALL BRONZE	
		BRONZE FITTED	BRONZE FITTED W/WEAR RING	ALL IRON		
1	Volute	N/A**	N/A**	N/A**	NOT OFFERED	
	Wear Ring	—	P51390	—		
	Volute Drain Plug (4)	P39040	P39040	P39050		
5	Volute Capscrew (12)	P03470	P03470	P03470		
3	Volute Gasket	P48690	P48690	P48690		
17	Coupler Key (Straight) Aug. 1989 (H98) and After	P49373	P49373	P49373		
17	Coupler Key (Woodruff) July 1989 (G98) and Before	H32600	H32600	H32600		
	Seal or Packing	See Table A, B, C or D, Page 55				
16	Coupler	See Coupler Selection Table, Page 53				
ANSI/OSHA Coupling Guard & Support Bracket Kit Selection, See Page 54						
2	Impeller (State Diameter)	N/A**	N/A**	N/A**		
8	Impeller Capscrew	P13800	P13800	P13800		
9	Impeller Lockwasher	J23875	J23875	J23875		
10	Impeller Washer	P51230	P51230	P46382		
20	Impeller Key (Straight) Aug. 1989 (H98) and After	P49372	P49372	P49372		
20	Impeller Key (Woodruff) July 1989 (G98) and Before	H32700	H32700	H32700		
4	Volute Coverplate	P85039	P85039	P85039		
44	Bracket	P85025	P85025	P85025		
18	Bearing Frame Assembly Consisting of:	185323	185323	185323		
33	Bearing Frame	P85016	P85016	P85016		
35	Shaft	P85018	P85018	P85018		
36	Bearing Cap	P85065	P85065	P85065		
41	Ball Bearing – Pump End	186571	186571	186571		
42	Ball Bearing – Coupler End	186572	186572	186572		
34	Spring Washer	J92560	J92560	J92560		
37	Bearing Cap Capscrew (4)	DJ0034	DJ0034	DJ0034		
19	Water Slinger	P77320	P77320	P77320		

N/A — NO LONGER AVAILABLE

**The impeller and/or volute are no longer available. This pump can be converted to the current style pump by ordering both the current style impeller and current style volute.

■ — Factory recommended spare parts.

†Consult factory for delivery.

6BC

ITEM NO.	DESCRIPTION	PUMP CONSTRUCTION			ALL BRONZE	
		BRONZE FITTED	BRONZE FITTED W/WEAR RING	ALL IRON		
1	Volute	P43692	P43864*	P43692	NOT OFFERED	
	Wear Ring	—	P49144	—		
	Volute Drain Plug (4)	P39040	P39040	P39050		
5	Volute Capscrew (12)	P03470	P03470	P03470		
3	Volute Gasket	P48690	P48690	P48690		
17	Coupler Key (Straight) Aug. 1989 (H98) and After	P49373	P49373	P49373		
17	Coupler Key (Woodruff) July 1986 (G98) and Before	H32600	H32600	H32600		
	Seal or Packing	See Table A, B, C or D, Page 55				
16	Coupler	See Coupler Selection Table, Page 53				
ANSI/OSHA Coupling Guard & Support Bracket Kit Selection, See Page 54						
2	Impeller (State Diameter) 9 ¹ / ₂ " Full Dia.	P50842	P50842	P50844 [†]		
8	Impeller Capscrew	P13800	P13800	P13800		
9	Impeller Lockwasher	J23875	J23875	J23875		
10	Impeller Washer	P51230	P51230	P46382		
20	Impeller Key (Straight) Aug. 1989 (H98) and After	P49372	P49372	P49372		
20	Impeller Key (Woodruff) July 1989 (G98) and Before	H32700	H32700	H32700		
4	Volute Coverplate	P85039	P85039	P85039		
44	Bracket	P85025	P85025	P85025		
18	Bearing Frame Assembly Consisting of:	185323	185323	185323		
33	Bearing Frame	P85016	P85016	P85016		
35	Shaft	P85018	P85018	P85018		
36	Bearing Cap	P85065	P85065	P85065		
41	Ball Bearing – Pump End	186571	186571	186571		
42	Ball Bearing – Coupler End	186572	186572	186572		
34	Spring Washer	J92560	J92560	J92560		
37	Bearing Cap Capscrew (4)	DJ0034	DJ0034	DJ0034		
19	Water Slinger	P77320	P77320	P77320		

*Includes Wear Ring.

■ – Factory recommended spare parts.

[†]Consult factory for delivery.

2CB

ITEM NO.	DESCRIPTION	PUMP CONSTRUCTION			ALL BRONZE
		BRONZE FITTED	BRONZE FITTED W/WEAR RING	ALL IRON	
1	Volute	N/A**	N/A**	N/A**	NOT OFFERED
	Wear Ring	—	P49130	—	
	Volute Drain Plug (4)	P39040	P39040	P39050	
5	Volute Capscrew (16)	P13780	P13780	P13780	
3	Volute Gasket	P57770	P57770	P57770	
17	Coupler Key (Straight) Aug. 1989 (H98) and After	P49373	P49373	P49373	
17	Coupler Key (Woodruff) July 1989 (G98) and Before	H32600	H32600	H32600	
	Seal or Packing	See Table A, B, C or D, Page 55			
16	Coupler	See Coupler Selection Table, Page 53			
	ANSI/OSHA Coupling Guard & Support Bracket Kit Selection, See Page 54				
2	Impeller (State Diameter) 12 ¹ / ₂ " Full Dia.	P77497	P77497	P51414 ¹	
8	Impeller Capscrew	P13800	P13800	P13800	
9	Impeller Lockwasher	J23875	J23875	J23875	
10	Impeller Washer	P51230	P51230	P46382	
20	Impeller Key (Straight) Aug. 1989 (H98) and After	P49372	P49372	P49372	
20	Impeller Key (Woodruff) July 1989 (G98) and Before	H32700	H32700	H32700	
4	Volute Coverplate	P51526	P51526	P51526	
44	Bracket	P85025	P85025	P85025	
18	Bearing Frame Assembly Consisting of:	185323	185323	185323	
33	Bearing Frame	P85016	P85016	P85016	
35	Shaft	P85018	P85018	P85018	
36	Bearing Cap	P85065	P85065	P85065	
41	Ball Bearing – Pump End	186571	186571	186571	
42	Ball Bearing – Coupler End	186572	186572	186572	
34	Spring Washer	J92560	J92560	J92560	
37	Bearing Cap Capscrew (4)	DJ0034	DJ0034	DJ0034	
19	Water Slinger	P77320	P77320	P77320	

N/A — NO LONGER AVAILABLE

**If a volute or volute coverplate is required, both must be changed to the appropriate "G" size, along with the "G" size volute gasket.

— Factory recommended spare parts.

3CB

ITEM NO.	DESCRIPTION	PUMP CONSTRUCTION			ALL BRONZE
		BRONZE FITTED	BRONZE FITTED W/WEAR RING	ALL IRON	
1	Volute	N/A**	N/A**	N/A**	NOT OFFERED
	Wear Ring	—	P50650	—	
	Volute Drain Plug (4)	P39040	P39040	P39050	
5	Volute Capscrew (16)	P13780	P13780	P13780	
3	Volute Gasket	P57770	P57770	P57770	
17	Coupler Key (Straight) Aug. 1989 (H98) and After	P49373	P49373	P49373	
17	Coupler Key (Woodruff) July 1989 (G98) and Before	H32600	H32600	H32600	
	Seal or Packing	See Table A, B, C or D, Page 55			
16	Coupler	See Coupler Selection Table, Page 53			
ANSI/OSHA Coupling Guard & Support Bracket Kit Selection, See Page 54					
2	Impeller (State Diameter) 12 ¹ / ₂ " Full Dia.	P77501	P77501	P51418 [†]	
8	Impeller Capscrew	P13800	P13800	P13800	
9	Impeller Lockwasher	J23875	J23875	J23875	
10	Impeller Washer	P51230	P51230	P46382	
20	Impeller Key (Straight) Aug. 1989 (H98) and After	P49372	P49372	P49372	
20	Impeller Key (Woodruff) July 1989 (G98) and Before	H32700	H32700	H32700	
4	Volute Coverplate	P51526	P51526	P51526	
44	Bracket	P85025	P85025	P85025	
18	Bearing Frame Assembly Consisting of:	185323	185323	185323	
33	Bearing Frame	P85016	P85016	P85016	
35	Shaft	P85018	P85018	P85018	
36	Bearing Cap	P85065	P85065	P85065	
41	Ball Bearing – Pump End	186571	186571	186571	
42	Ball Bearing – Coupler End	186572	186572	186572	
34	Spring Washer	J92560	J92560	J92560	
37	Bearing Cap Capscrew (4)	DJ0034	DJ0034	DJ0034	
19	Water Slinger	P77320	P77320	P77320	
12	Support Foot – Motor Frames 213T-215T, 254T-256T, 284T	186907	186907	186907	

N/A — NO LONGER AVAILABLE

**If a volute or volute coverplate is required, both must be changed to the appropriate "G" size, along with the "G" size volute gasket.

■ — Factory recommended spare parts.

†Consult factory for delivery.

4CB

ITEM NO.	DESCRIPTION	PUMP CONSTRUCTION			ALL BRONZE	
		BRONZE FITTED	BRONZE FITTED W/WEAR RING	ALL IRON		
1	Volute	N/A**	N/A**	N/A**	NOT OFFERED	
	Wear Ring	—	P49134	—		
	Volute Drain Plug (4)	P39040	P39040	P39050		
5	Volute Capscrew (16)	P13780	P13780	P13780		
3	Volute Gasket	P57770	P57770	P57770		
17	Coupler Key (Straight) Aug. 1989 (H98) and After	P49373	P49373	P49373		
17	Coupler Key (Woodruff) July 1989 (G98) and Before	H32600	H32600	H32600		
	Seal or Packing	See Table A, B, C or D, Page 55				
16	Coupler	See Coupler Selection Table, Page 53				
ANSI/OSHA Coupling Guard & Support Bracket Kit Selection, See Page 54						
2	Impeller (State Diameter) 12 ¹ / ₂ " Full Dia.	P77505	P77505	P51424 ¹		
8	Impeller Capscrew	P13800	P13800	P13800		
9	Impeller Lockwasher	J23875	J23875	J23875		
10	Impeller Washer	P51230	P51230	P46382		
20	Impeller Key (Straight) Aug. 1989 (H98) and After	P49372	P49372	P49372		
20	Impeller Key (Woodruff) July 1989 (G98) and Before	H32700	H32700	H32700		
4	Volute Coverplate	P51526	P51526	P51526		
44	Bracket	P85025	P85025	P85025		
18	Bearing Frame Assembly Consisting of:	185323	185323	185323		
33	Bearing Frame	P85016	P85016	P85016		
35	Shaft	P85018	P85018	P85018		
36	Bearing Cap	P85065	P85065	P85065		
41	Ball Bearing – Pump End	186571	186571	186571		
42	Ball Bearing – Coupler End	186572	186572	186572		
34	Spring Washer	J92560	J92560	J92560		
37	Bearing Cap Capscrew (4)	DJ0034	DJ0034	DJ0034		
19	Water Slinger	P77320	P77320	P77320		

N/A — NO LONGER AVAILABLE

**If a volute or volute coverplate is required, both must be changed to the appropriate "G" size, along with the "G" size volute gasket.

 – Factory recommended spare parts.

5CB

ITEM NO.	DESCRIPTION	PUMP CONSTRUCTION			ALL BRONZE
		BRONZE FITTED	BRONZE FITTED W/WEAR RING	ALL IRON	
1	Volute	N/A**	N/A**	N/A**	NOT OFFERED
	Wear Ring	—	P49136	—	
	Volute Drain Plug (4)	P39040	P39040	P39050	
5	Volute Capscrew (16)	P13780	P13780	P13780	
3	Volute Gasket	P57770	P57770	P57770	
17	Coupler Key (Straight) Aug. 1989 (H98) and After	P49373	P49373	P49373	
17	Coupler Key (Woodruff) July 1989 (G98) and Before	H32600	H32600	H32600	
	Seal or Packing	See Table A, B, C or D, Page 55			
16	Coupler	See Coupler Selection Table, Page 53			
	ANSI/OSHA Coupling Guard & Support Bracket Kit Selection, See Page 54				
2	Impeller (State Diameter) 12 ¹ / ₂ " Full Dia.	P77509	P77509	N/A	
8	Impeller Capscrew	P13800	P13800	P13800	
9	Impeller Lockwasher	J23875	J23875	J23875	
10	Impeller Washer	P51230	P51230	P46382	
20	Impeller Key (Straight) Aug. 1989 (H98) and After	P49372	P49372	P49372	
20	Impeller Key (Woodruff) July 1989 (G98) and Before	H32700	H32700	H32700	
4	Volute Coverplate	P51526	P51526	P51526	
44	Bracket	P85025	P85025	P85025	
18	Bearing Frame Assembly Consisting of:	185323	185323	185323	
33	Bearing Frame	P85016	P85016	P85016	
35	Shaft	P85018	P85018	P85018	
36	Bearing Cap	P85065	P85065	P85065	
41	Ball Bearing – Pump End	186571	186571	186571	
42	Ball Bearing – Coupler End	186572	186572	186572	
34	Spring Washer	J92560	J92560	J92560	
37	Bearing Cap Capscrew (4)	DJ0034	DJ0034	DJ0034	
19	Water Slinger	P77320	P77320	P77320	

N/A — NO LONGER AVAILABLE

**If a volute or volute coverplate is required, both must be changed to the appropriate "G" size, along with the "G" size volute gasket.

■ — Factory recommended spare parts.

6CB

ITEM NO.	DESCRIPTION	PUMP CONSTRUCTION			ALL BRONZE
		BRONZE FITTED	BRONZE FITTED W/WEAR RING	ALL IRON	
1	Volute	N/A**	N/A**	N/A**	NOT OFFERED
	Wear Ring	—	P49138	—	
	Volute Drain Plug (4)	P39040	P39040	P39050	
5	Volute Capscrew (16)	P13780	P13780	P13780	
3	Volute Gasket	P57770	P57770	P57770	
17	Coupler Key (Straight) Aug. 1989 (H98) and After	P49373	P49373	P49373	
17	Coupler Key (Woodruff) July 1989 (G98) and Before	H32600	H32600	H32600	
	Seal or Packing	See Table A, B, C or D, Page 55			
16	Coupler	See Coupler Selection Table, Page 53			
	ANSI/OSHA Coupling Guard & Support Bracket Kit Selection, See Page 54				
2	Impeller (State Diameter) 12 ¹ / ₂ " Full Dia.	P77513	P77513	N/A	
8	Impeller Capscrew	P13800	P13800	P13800	
9	Impeller Lockwasher	J23875	J23875	J23875	
10	Impeller Washer	P51230	P51230	P46382	
20	Impeller Key (Straight) Aug. 1989 (H98) and After	P49372	P49372	P49372	
20	Impeller Key (Woodruff) July 1989 (G98) and Before	H32700	H32700	H32700	
4	Volute Coverplate	P51526	P51526	P51526	
44	Bracket	P85025	P85025	P85025	
18	Bearing Frame Assembly Consisting of:	185323	185323	185323	
33	Bearing Frame	P85016	P85016	P85016	
35	Shaft	P85018	P85018	P85018	
36	Bearing Cap	P85065	P85065	P85065	
41	Ball Bearing – Pump End	186571	186571	186571	
42	Ball Bearing – Coupler End	186572	186572	186572	
34	Spring Washer	J92560	J92560	J92560	
37	Bearing Cap Capscrew (4)	DJ0034	DJ0034	DJ0034	
19	Water Slinger	P77320	P77320	P77320	

N/A — NO LONGER AVAILABLE

**If a volute or volute coverplate is required, both must be changed to the appropriate "G" size, along with the "G" size volute gasket.

— Factory recommended spare parts.

2E

ITEM NO.	DESCRIPTION	PUMP CONSTRUCTION			
		BRONZE FITTED	BRONZE FITTED W/WEAR RING	ALL IRON	ALL BRONZE
PARTS COMMON TO BOTH SIZE PUMPS					
1	Volute	P43955	P44019*	P43955	
	Wear Ring	—	P49870	—	
	Volute Drain Plug (4)	P39040	P39040	P39050	
5	Volute Capscrew (16)	P13780	P13780	P13780	
3	Volute Gasket	P80765	P80765	P80765	
17	Coupler Key (Straight) Aug. 1989 (H98) and After	P49373	P49373	P49373	
17	Coupler Key (Woodruff) July 1989 (G98) and Before	H32600	H32600	H32600	
	Seal or Packing	See Table A, B, C or D, Page 55			
16	Coupler	See Coupler Selection Table, Page 53			
ANSI/OSHA Coupling Guard & Support Bracket Kit Selection, See Page 54					
PARTS FOR PUMPS WITH 1 1/4" SHAFT AT SEAL					
2	Impeller (State Diameter) 11" Full Dia.	P50848	P50848	P50850 [†]	
8	Impeller Capscrew	P52350	P52350	P52350	
9	Impeller Lockwasher	J23874	J23874	J23874	
10	Impeller Washer	P46380	P46380	P46381	
20	Impeller Key (Straight) Aug. 1989 (H98) and After	P49369	P49369	P49369	
20	Impeller Key (Woodruff) July 1989 (G98) and Before	H32500	H32500	H32500	
4	Volute Coverplate	P53052	P53052	P53052	
44	Bracket	P85023	P85023	P85023	
18	Bearing Frame Assembly Consisting of:	185321	185321	185321	
33	Bearing Frame	P85014	P85014	P85014	
35	Shaft	P85017	P85017	P85017	
36	Bearing Cap	P85020	P85020	P85020	
41	Ball Bearing – Pump End	186002	186002	186002	
42	Ball Bearing – Coupler End	186001	186001	186001	
34	Spring Washer	J92558	J92558	J92558	
37	Bearing Cap Capscrew (4)	P32000	P32000	P32000	
19	Water Slinger	P53550	P53550	P53550	
PARTS FOR PUMPS WITH 1 5/8" SHAFT AT SEAL					
2	Impeller (State Diameter) 11" Full Dia.	P50880	P50880	P50882 [†]	
8	Impeller Capscrew	P13800	P13800	P13800	
9	Impeller Lockwasher	J23875	J23875	J23875	
10	Impeller Washer	P51230	P51230	P46382	
20	Impeller Key (Straight) Aug. 1989 (H98) and After	P49372	P49372	P49372	
20	Impeller Key (Woodruff) July 1989 (G98) and Before	H32700	H32700	H32700	
4	Volute Coverplate	P53056	P53056	P53056	
44	Bracket	P85025	P85025	P85025	
18	Bearing Frame Assembly Consisting of:	185323	185323	185323	
33	Bearing Frame	P85016	P85016	P85016	
35	Shaft	P85018	P85018	P85018	
36	Bearing Cap	P85065	P85065	P85065	
41	Ball Bearing – Pump End	186571	186571	186571	
42	Ball Bearing – Coupler End	186572	186572	186572	
34	Spring Washer	J92560	J92560	J92560	
37	Bearing Cap Capscrew (4)	DJ0034	DJ0034	DJ0034	
19	Water Slinger	P77320	P77320	P77320	

NOT OFFERED

*Includes Wear Ring.

■ – Factory recommended spare parts.

†Consult factory for delivery.

3E

ITEM NO.	DESCRIPTION	PUMP CONSTRUCTION				
		BRONZE FITTED	BRONZE FITTED W/WEAR RING	ALL IRON	ALL BRONZE	
PARTS COMMON TO BOTH SIZE PUMPS						
1	Volute	P43952	P44011*	P43952	NOT OFFERED	
	Wear Ring	—	P50650	—		
	Volute Drain Plug (4)	P39040	P39040	P39050		
5	Volute Capscrew (16)	P13780	P13780	P13780		
3	Volute Gasket	P80765	P80765	P80765		
17	Coupler Key (Straight) Aug. 1989 (H98) and After	P49373	P49373	P49373		
17	Coupler Key (Woodruff) July 1989 (G98) and Before	H32600	H32600	H32600		
	Seal or Packing	See Table A, B, C or D, Page 55				
16	Coupler	See Coupler Selection Table, Page 53				
ANSI/OSHA Coupling Guard & Support Bracket Kit Selection, See Page 54						
PARTS FOR PUMPS WITH 1 1/4" SHAFT AT SEAL						
2	Impeller (State Diameter) 11" Full Dia.	P50852	P50852	P50854 [†]		
8	Impeller Capscrew	P52350	P52350	P52350		
9	Impeller Lockwasher	J23874	J23874	J23874		
10	Impeller Washer	P46380	P46380	P46381		
20	Impeller Key (Straight) Aug. 1989 (H98) and After	P49369	P49369	P49369		
20	Impeller Key (Woodruff) July 1989 (G98) and Before	H32500	H32500	H32500		
4	Volute Coverplate	P53052	P53052	P53052		
44	Bracket	P85023	P85023	P85023		
18	Bearing Frame Assembly Consisting of:	185321	185321	185321		
33	Bearing Frame	P85014	P85014	P85014		
35	Shaft	P85017	P85017	P85017		
36	Bearing Cap	P85020	P85020	P85020		
41	Ball Bearing – Pump End	186002	186002	186002		
42	Ball Bearing – Coupler End	186001	186001	186001		
34	Spring Washer	J92558	J92558	J92558		
37	Bearing Cap Capscrew (4)	P32000	P32000	P32000		
19	Water Slinger	P53550	P53550	P53550		
PARTS FOR PUMPS WITH 1 5/8" SHAFT AT SEAL						
2	Impeller (State Diameter) 11" Full Dia.	P50856	P50856	P50858 [†]		
8	Impeller Capscrew	P13800	P13800	P13800		
9	Impeller Lockwasher	J23875	J23875	J23875		
10	Impeller Washer	P51230	P51230	P46382		
20	Impeller Key (Straight) Aug. 1989 (H98) and After	P49372	P49372	P49372		
20	Impeller Key (Woodruff) July 1989 (G98) and Before	H32700	H32700	H32700		
4	Volute Coverplate	P53056	P53056	P53056		
44	Bracket	P85025	P85025	P85025		
18	Bearing Frame Assembly Consisting of:	185323	185323	185323		
33	Bearing Frame	P85016	P85016	P85016		
35	Shaft	P85018	P85018	P85018		
36	Bearing Cap	P85065	P85065	P85065		
41	Ball Bearing – Pump End	186571	186571	186571		
42	Ball Bearing – Coupler End	186572	186572	186572		
34	Spring Washer	J92560	J92560	J92560		
37	Bearing Cap Capscrew (4)	DJ0034	DJ0034	DJ0034		
19	Water Slinger	P77320	P77320	P77320		

*Includes Wear Ring.

■ – Factory recommended spare parts.

[†]Consult factory for delivery.

4E

ITEM NO.	DESCRIPTION	PUMP CONSTRUCTION				
		BRONZE FITTED	BRONZE FITTED W/WEAR RING	ALL IRON	ALL BRONZE	
PARTS COMMON TO BOTH SIZE PUMPS						
1	Volute	P43958	P44012*	P43958	NOT OFFERED	
	Wear Ring	—	P49142	—		
	Volute Drain Plug (4)	P39040	P39040	P39050		
5	Volute Capscrew (16)	P13780	P13780	P13780		
3	Volute Gasket	P80765	P80765	P80765		
17	Coupler Key (Straight) Aug. 1989 (H98) and After	P49373	P49373	P49373		
17	Coupler Key (Woodruff) July 1989 (G98) and Before	H32600	H32600	H32600		
	Seal or Packing	See Table A, B, C or D, Page 55				
16	Coupler	See Coupler Selection Table, Page 53				
ANSI/OSHA Coupling Guard & Support Bracket Kit Selection, See Page 54						
PARTS FOR PUMPS WITH 1 1/4" SHAFT AT SEAL						
2	Impeller (State Diameter) 11" Full Dia.	P50862	P50862	P50864 [†]		
8	Impeller Capscrew	P52350	P52350	P52350		
9	Impeller Lockwasher	J23874	J23874	J23874		
10	Impeller Washer	P46380	P46380	P46381		
20	Impeller Key (Straight) Aug. 1989 (H98) and After	P49369	P49369	P49369		
20	Impeller Key (Woodruff) July 1989 (G98) and Before	H32500	H32500	H32500		
4	Volute Coverplate	P53052	P53052	P53052		
44	Bracket	P85023	P85023	P85023		
18	Bearing Frame Assembly Consisting of:	185321	185321	185321		
33	Bearing Frame	P85014	P85014	P85014		
35	Shaft	P85017	P85017	P85017		
36	Bearing Cap	P85020	P85020	P85020		
41	Ball Bearing – Pump End	186002	186002	186002		
42	Ball Bearing – Coupler End	186001	186001	186001		
34	Spring Washer	J92558	J92558	J92558		
37	Bearing Cap Capscrew (4)	P32000	P32000	P32000		
19	Water Slinger	P53550	P53550	P53550		
PARTS FOR PUMPS WITH 1 5/8" SHAFT AT SEAL						
2	Impeller (State Diameter) 11" Full Dia.	P50866	P50866	P50868 [†]		
8	Impeller Capscrew	P13800	P13800	P13800		
9	Impeller Lockwasher	J23875	J23875	J23875		
10	Impeller Washer	P51230	P51230	P46382		
20	Impeller Key (Straight) Aug. 1989 (H98) and After	P49372	P49372	P49372		
20	Impeller Key (Woodruff) July 1989 (G98) and Before	H32700	H32700	H32700		
4	Volute Coverplate	P53056	P53056	P53056		
44	Bracket	P85025	P85025	P85025		
18	Bearing Frame Assembly Consisting of:	185323	185323	185323		
33	Bearing Frame	P85016	P85016	P85016		
35	Shaft	P85018	P85018	P85018		
36	Bearing Cap	P85065	P85065	P85065		
41	Ball Bearing – Pump End	186571	186571	186571		
42	Ball Bearing – Coupler End	186572	186572	186572		
34	Spring Washer	J92560	J92560	J92560		
37	Bearing Cap Capscrew (4)	DJ0034	DJ0034	DJ0034		
19	Water Slinger	P77320	P77320	P77320		

*Includes Wear Ring.

■ – Factory recommended spare parts.

[†]Consult factory for delivery.

5E

ITEM NO.	DESCRIPTION	PUMP CONSTRUCTION			ALL BRONZE
		BRONZE FITTED	BRONZE FITTED W/WEAR RING	ALL IRON	
1	Volute	P43965	P44013*	P43965	NOT OFFERED
	Wear Ring	—	P51390	—	
	Volute Drain Plug (4)	P39040	P39040	P39050	
5	Volute Capscrew (16)	P13780	P13780	P13780	
3	Volute Gasket	P80765	P80765	P80765	
17	Coupler Key (Straight) Aug. 1989 (H98) and After	P49373	P49373	P49373	
17	Coupler Key (Woodruff) July 1989 (G98) and Before	H32600	H32600	H32600	
	Seal or Packing	See Table A, B, C or D, Page 55			
16	Coupler	See Coupler Selection Table, Page 53			
ANSI/OSHA Coupling Guard & Support Bracket Kit Selection, See Page 54					
2	Impeller (State Diameter) 11" Full Dia.	P50872	P50872	P50874†	
8	Impeller Capscrew	P13800	P13800	P13800	
9	Impeller Lockwasher	J23875	J23875	J23875	
10	Impeller Washer	P51230	P51230	P46382	
20	Impeller Key (Straight) Aug. 1989 (H98) and After	P49372	P49372	P49372	
20	Impeller Key (Woodruff) July 1989 (G98) and Before	H32700	H32700	H32700	
4	Volute Coverplate	P53056	P53056	P53056	
44	Bracket	P85025	P85025	P85025	
18	Bearing Frame Assembly Consisting of:	185323	185323	185323	
33	Bearing Frame	P85016	P85016	P85016	
35	Shaft	P85018	P85018	P85018	
36	Bearing Cap	P85065	P85065	P85065	
41	Ball Bearing – Pump End	186571	186571	186571	
42	Ball Bearing – Coupler End	186572	186572	186572	
34	Spring Washer	J92560	J92560	J92560	
37	Bearing Cap Capscrew (4)	DJ0034	DJ0034	DJ0034	
19	Water Slinger	P77320	P77320	P77320	

*Includes Wear Ring.

■ – Factory recommended spare parts.

†Consult factory for delivery.

6E

ITEM NO.	DESCRIPTION	PUMP CONSTRUCTION			ALL BRONZE	
		BRONZE FITTED	BRONZE FITTED W/WEAR RING	ALL IRON		
1	Volute	P43972	P44014*	P43972	NOT OFFERED	
	Wear Ring	—	P81949	—		
	Volute Drain Plug (4)	P39040	P39040	P39050		
5	Volute Capscrew (16)	P13780	P13780	P13780		
3	Volute Gasket	P80765	P80765	P80765		
17	Coupler Key (Straight) Aug. 1989 (H98) and After	P49373	P49373	P49373		
17	Coupler Key (Woodruff) July 1989 (G98) and Before	H32600	H32600	H32600		
	Seal or Packing	See Table A, B, C or D, Page 55				
16	Coupler	See Coupler Selection Table, Page 53				
ANSI/OSHA Coupling Guard & Support Bracket Kit Selection, See Page 54						
2	Impeller (State Diameter) 11" Full Dia.	P50876	P50876	P50878†		
8	Impeller Capscrew	P13800	P13800	P13800		
9	Impeller Lockwasher	J23875	J23875	J23875		
10	Impeller Washer	P51230	P51230	P46382		
20	Impeller Key (Straight) Aug. 1989 (H98) and After	P49372	P49372	P49372		
20	Impeller Key (Woodruff) July 1989 (G98) and Before	H32700	H32700	H32700		
4	Volute Coverplate	P53056	P53056	P53056		
44	Bracket	P85025	P85025	P85025		
18	Bearing Frame Assembly Consisting of:	185323	185323	185323		
33	Bearing Frame	P85016	P85016	P85016		
35	Shaft	P85018	P85018	P85018		
36	Bearing Cap	P85065	P85065	P85065		
41	Ball Bearing – Pump End	186571	186571	186571		
42	Ball Bearing – Coupler End	186572	186572	186572		
34	Spring Washer	J92560	J92560	J92560		
37	Bearing Cap Capscrew (4)	DJ0034	DJ0034	DJ0034		
19	Water Slinger	P77320	P77320	P77320		

*Includes Wear Ring.

■ – Factory recommended spare parts.

†Consult factory for delivery.

2G

ITEM NO.	DESCRIPTION	PUMP CONSTRUCTION			ALL BRONZE	
		BRONZE FITTED	BRONZE FITTED W/WEAR RING	ALL IRON		
1	Volute	P44071	P44091*	P44071	NOT OFFERED	
	Wear Ring	—	P49130	—		
	Volute Drain Plug (4)	P39040	P39040	P39050		
5	Volute Capscrew (16)	P13780	P13780	P13780		
3	Volute Gasket	P80767	P80767	P80767		
17	Coupler Key (Straight) Aug. 1989 (H98) and After	P49373	P49373	P49373		
17	Coupler Key (Woodruff) July 1989 (G98) and Before	H32600	H32600	H32600		
	Seal or Packing	See Table A, B, C or D, Page 55				
16	Coupler	See Coupler Selection Table, Page 53				
ANSI/OSHA Coupling Guard & Support Bracket Kit Selection, See Page 54						
2	Impeller (State Diameter) 13 ¹ / ₂ " Full Dia.	P51412	P51412	P51414 [†]		
8	Impeller Capscrew	P13800	P13800	P13800		
9	Impeller Lockwasher	J23875	J23875	J23875		
10	Impeller Washer	P51230	P51230	P46382		
20	Impeller Key (Straight) Aug. 1989 (H98) and After	P49372	P49372	P49372		
20	Impeller Key (Woodruff) July 1989 (G98) and Before	H32700	H32700	H32700		
4	Volute Coverplate	P51562	P51562	P51562		
44	Bracket	P85025	P85025	P85025		
18	Bearing Frame Assembly Consisting of:	185323	185323	185323		
33	Bearing Frame	P85016	P85016	P85016		
35	Shaft	P85018	P85018	P85018		
36	Bearing Cap	P85065	P85065	P85065		
41	Ball Bearing – Pump End	186571	186571	186571		
42	Ball Bearing – Coupler End	186572	186572	186572		
34	Spring Washer	J92560	J92560	J92560		
37	Bearing Cap Capscrew (4)	DJ0034	DJ0034	DJ0034		
19	Water Slinger	P77320	P77320	P77320		

*Includes Wear Ring.

■ – Factory recommended spare parts.

[†]Consult factory for delivery.

3G

ITEM NO.	DESCRIPTION	PUMP CONSTRUCTION			ALL BRONZE	
		BRONZE FITTED	BRONZE FITTED W/WEAR RING	ALL IRON		
1	Volute	P44073	P44092*	P44073	NOT OFFERED	
	Wear Ring	—	P50650	—		
	Volute Drain Plug (4)	P39040	P39040	P39050		
5	Volute Capscrew (16)	P13780	P13780	P13780		
3	Volute Gasket	P80767	P80767	P80767		
17	Coupler Key (Straight) Aug. 1989 (H98) and After	P49373	P49373	P49373		
17	Coupler Key (Woodruff) July 1989 (G98) and Before	H32600	H32600	H32600		
	Seal or Packing	See Table A, B, C or D, Page 55				
16	Coupler	See Coupler Selection Table, Page 53				
ANSI/OSHA Coupling Guard & Support Bracket Kit Selection, See Page 54						
2	Impeller (State Diameter) 13 ¹ / ₂ " Full Dia.	P51416	P51416	P51418 [†]		
8	Impeller Capscrew	P13800	P13800	P13800		
9	Impeller Lockwasher	J23875	J23875	J23875		
10	Impeller Washer	P51230	P51230	P46382		
20	Impeller Key (Straight) Aug. 1989 (H98) and After	P49372	P49372	P49372		
20	Impeller Key (Woodruff) July 1989 (G98) and Before	H32700	H32700	H32700		
4	Volute Coverplate	P51562	P51562	P51562		
44	Bracket	P85025	P85025	P85025		
18	Bearing Frame Assembly Consisting of:	185323	185323	185323		
33	Bearing Frame	P85016	P85016	P85016		
35	Shaft	P85018	P85018	P85018		
36	Bearing Cap	P85065	P85065	P85065		
41	Ball Bearing – Pump End	186571	186571	186571		
42	Ball Bearing – Coupler End	186572	186572	186572		
34	Spring Washer	J92560	J92560	J92560		
37	Bearing Cap Capscrew (4)	DJ0034	DJ0034	DJ0034		
19	Water Slinger	P77320	P77320	P77320		

*Includes Wear Ring.

■ – Factory recommended spare parts.

[†]Consult factory for delivery.

4G

ITEM NO.	DESCRIPTION	PUMP CONSTRUCTION			ALL BRONZE	
		BRONZE FITTED	BRONZE FITTED W/WEAR RING	ALL IRON		
1	Volute	P44075	N/A**	P44075	NOT OFFERED	
	Wear Ring	—	P49134	—		
	Volute Drain Plug (4)	P39040	P39040	P39050		
5	Volute Capscrew (16)	P13780	P13780	P13780		
3	Volute Gasket	P80767	P80767	P80767		
17	Coupler Key (Straight) Aug. 1989 (H98) and After	P49373	P49373	P49373		
17	Coupler Key (Woodruff) July 1989 (G98) and Before	H32600	H32600	H32600		
	Seal or Packing	See Table A, B, C or D, Page 55				
16	Coupler	See Coupler Selection Table, Page 53				
ANSI/OSHA Coupling Guard & Support Bracket Kit Selection, See Page 54						
2	Impeller (State Diameter) 13 ¹ / ₂ " Full Dia.	P51422	P51422	P51424 [†]		
8	Impeller Capscrew	P13800	P13800	P13800		
9	Impeller Lockwasher	J23875	J23875	J23875		
10	Impeller Washer	P51230	P51230	P46382		
20	Impeller Key (Straight) Aug. 1989 (H98) and After	P49372	P49372	P49372		
20	Impeller Key (Woodruff) July 1989 (G98) and Before	H32700	H32700	H32700		
4	Volute Coverplate	P51562	P51562	P51562		
44	Bracket	P85025	P85025	P85025		
18	Bearing Frame Assembly Consisting of:	185323	185323	185323		
33	Bearing Frame	P85016	P85016	P85016		
35	Shaft	P85018	P85018	P85018		
36	Bearing Cap	P85065	P85065	P85065		
41	Ball Bearing – Pump End	186571	186571	186571		
42	Ball Bearing – Coupler End	186572	186572	186572		
34	Spring Washer	J92560	J92560	J92560		
37	Bearing Cap Capscrew (4)	DJ0034	DJ0034	DJ0034		
19	Water Slinger	P77320	P77320	P77320		

■ – Factory recommended spare parts.

**The impeller and/or volute are no longer available. This pump can be converted to the current style pump by ordering both the current style impeller and current style volute.

4GB

ITEM NO.	DESCRIPTION	PUMP CONSTRUCTION			ALL BRONZE
		BRONZE FITTED	BRONZE FITTED W/WEAR RING	ALL IRON	
1	Volute	P85684	P85685*	P85684	NOT OFFERED
	Wear Ring	—	P49134	—	
	Volute Drain Plug (4)	P39040	P39040	P39050	
5	Volute Capscrew (16)	P13780	P13780	P13780	
3	Volute Gasket	P80767	P80767	P80767	
17	Coupler Key (Straight) Aug. 1989 (H98) and After	P49373	P49373	P49373	
17	Coupler Key (Woodruff) July 1989 (G98) and Before	H32600	H32600	H32600	
	Seal or Packing	See Table A, B, C or D, Page 55			
16	Coupler	See Coupler Selection Table, Page 53			
ANSI/OSHA Coupling Guard & Support Bracket Kit Selection, See Page 54					
2	Impeller (State Diameter) 13 ¹ / ₂ " Full Dia.	P85691	P85691	P85689†	
8	Impeller Capscrew	P13800	P13800	P13800	
9	Impeller Lockwasher	J23875	J23875	J23875	
10	Impeller Washer	P51230	P51230	P46382	
20	Impeller Key (Straight) Aug. 1989 (H98) and After	P49372	P49372	P49372	
20	Impeller Key (Woodruff) July 1989 (G98) and Before	H32700	H32700	H32700	
4	Volute Coverplate	P51562	P51562	P51562	
44	Bracket	P85025	P85025	P85025	
18	Bearing Frame Assembly Consisting of:	185323	185323	185323	
33	Bearing Frame	P85016	P85016	P85016	
35	Shaft	P85018	P85018	P85018	
36	Bearing Cap	P85065	P85065	P85065	
41	Ball Bearing – Pump End	186571	186571	186571	
42	Ball Bearing – Coupler End	186572	186572	186572	
34	Spring Washer	J92560	J92560	J92560	
37	Bearing Cap Capscrew (4)	DJ0034	DJ0034	DJ0034	
19	Water Slinger	P77320	P77320	P77320	

*Includes Wear Ring.

■ – Factory recommended spare parts.

†Consult factory for delivery.

5G

ITEM NO.	DESCRIPTION	PUMP CONSTRUCTION			ALL BRONZE
		BRONZE FITTED	BRONZE FITTED W/WEAR RING	ALL IRON	
PARTS COMMON TO BOTH SIZE PUMPS					
1	Volute	P44077	P44094*	P44077	
	Wear Ring	—	P49136	—	
	Volute Drain Plug (4)	P39040	P39040	P39050	
5	Volute Capscrew (16)	P13780	P13780	P13780	
3	Volute Gasket	P80767	P80767	P80767	
	Seal or Packing	See Table A, B, C or D, Page 55			
16	Coupler	See Coupler Selection Table, Page 53			
ANSI/OSHA Coupling Guard & Support Bracket Kit Selection, See Page 54					
PARTS FOR PUMPS WITH 1⁵/₈" SHAFT AT SEAL					
2	Impeller (State Diameter) 12 ⁹ / ₁₆ " - 13 ¹ / ₂ "	P78533	P78533	P77528	
2	Impeller (State Diameter) 12 ¹ / ₂ " Full Dia.	P77509	P77509	P77528	
8	Impeller Capscrew	P13800	P13800	P13800	
9	Impeller Lockwasher	J23875	J23875	J23875	
10	Impeller Washer	P51230	P51230	P46382	
20	Impeller Key (Straight) Aug. 1989 (H98) and After	P49372	P49372	P49372	
20	Impeller Key (Woodruff) July 1989 (G98) and Before	H32700	H32700	H32700	
17	Coupler Key (Straight) Aug. 1989 (H98) and After	P49373	P49373	P49373	
17	Coupler Key (Woodruff) July 1989 (G98) and Before	H32600	H32600	H32600	
4	Volute Coverplate	P51562	P51562	P51562	
44	Bracket	P85025	P85025	P85025	
18	Bearing Frame Assembly Consisting of:	185323	185323	185323	
33	Bearing Frame	P85016	P85016	P85016	
35	Shaft	P85018	P85018	P85018	
36	Bearing Cap	P85065	P85065	P85065	
41	Ball Bearing – Pump End	186571	186571	186571	
42	Ball Bearing – Coupler End	186572	186572	186572	
34	Spring Washer	J92560	J92560	J92560	
37	Bearing Cap Capscrew (4)	DJ0034	DJ0034	DJ0034	
19	Water Slinger	P77320	P77320	P77320	
PARTS FOR PUMPS WITH 2³/₈" SHAFT AT SEAL^Δ					
2	Impeller (State Diameter) 13 ¹ / ₂ " Full Dia.	P51426	P51426	P51428 [†]	
8	Impeller Capscrew	J92019	J92019	J92019	
9	Impeller Lockwasher	J23876	J23876	J23876	
10	Impeller Washer	P46384	P46384	P46385	
20	Impeller Key	J93448	J93448	J93448	
17	Coupler Key	J93448	J93448	J93448	
4	Volute Coverplate	P51566	P51566	P51566	
44	Bracket	P51576	P51576	P51576	
18	Bearing Frame Assembly Consisting of:	P51705	P51705	P51705	
33	Bearing Frame	P51572	P51572	P51572	
35	Shaft	P79012	P79012	P79012	
36	Bearing Cap – Pump End	P51582	P51582	P51582	
	Bearing Cap – Coupler End	P51584	P51584	P51584	
41	Ball Bearing – Pump End	J92413	J92413	J92413	
42	Ball Bearing – Coupler End	J92414	J92414	J92414	
	Bearing Retainer Ring	J92385	J92385	J92385	
	Bearing Locknut	J92388	J92388	J92388	
	Bearing Lockwasher	J92389	J92389	J92389	
37	Bearing Cap Capscrew (8)	DJ0071	DJ0071	DJ0071	
19	Water Slinger	P81917	P81917	P81917	

NOT OFFERED

*Includes Wear Ring.

■ – Factory recommended spare parts.

[†]Consult factory for delivery.^ΔExtra Large Bearing Frame not used on current production pumps, only pumps prior to date code D69.

6G

ITEM NO.	DESCRIPTION	PUMP CONSTRUCTION			
		BRONZE FITTED	BRONZE FITTED W/WEAR RING	ALL IRON	ALL BRONZE
PARTS COMMON TO BOTH SIZE PUMPS					
1	Volute	P44081	P44095*	P44081	
	Wear Ring	—	P49138	—	
	Volute Drain Plug (4)	P39040	P39040	P39050	
5	Volute Capscrew (16)	P13780	P13780	P13780	
3	Volute Gasket	P80767	P80767	P80767	
	Seal or Packing	See Table A, B, C or D, Page 55			
16	Coupler	See Coupler Selection Table, Page 53			
ANSI/OSHA Coupling Guard & Support Bracket Kit Selection, See Page 54					
PARTS FOR PUMPS WITH 1⁵/₈" SHAFT AT SEAL					
2	Impeller (State Diameter) 12 ⁹ / ₁₆ " - 13 ¹ / ₂ "	P78535	P78535	P77532 [†]	
2	Impeller (State Diameter) 12 ¹ / ₂ " or Less	P77513	P77513	P77532 [†]	
8	Impeller Capscrew	P13800	P13800	P13800	
9	Impeller Lockwasher	J23875	J23875	J23875	
10	Impeller Washer	P51230	P51230	P46382	
20	Impeller Key (Straight) Aug. 1989 (H98) and After	P49372	P49372	P49372	
20	Impeller Key (Woodruff) July 1989 (G98) and Before	H32700	H32700	H32700	
17	Coupler Key (Straight) Aug. 1989 (H98) and After	P49373	P49373	P49373	
17	Coupler Key (Woodruff) July 1989 (G98) and Before	H32600	H32600	H32600	
4	Volute Coverplate	P51562	P51562	P51562	
44	Bracket	P85025	P85025	P85025	
18	Bearing Frame Assembly Consisting of:	185323	185323	185323	
33	Bearing Frame	P85016	P85016	P85016	
35	Shaft	P85018	P85018	P85018	
36	Bearing Cap	P85065	P85065	P85065	
41	Ball Bearing – Pump End	186571	186571	186571	
42	Ball Bearing – Coupler End	186572	186572	186572	
34	Spring Washer	J92560	J92558	J92560	
37	Bearing Cap Capscrew (4)	DJ0034	DJ0034	DJ0034	
19	Water Slinger	P77320	P77320	P77320	
PARTS FOR PUMPS WITH 2³/₈" SHAFT AT SEAL					
2	Impeller (State Diameter) 13 ¹ / ₂ " Full Dia.	P51432	P51432	P51434 [†]	
8	Impeller Capscrew	J92019	J92019	J92019	
9	Impeller Lockwasher	J23876	J23876	J23876	
10	Impeller Washer	P46384	P46384	P46385	
20	Impeller Key	J93448	J93448	J93448	
17	Coupler Key	J93448	J93448	J93448	
4	Volute Coverplate	P51566	P51566	P51566	
44	Bracket	P51576	P51576	P51576	
18	Bearing Frame Assembly Consisting of:	P51705	P51705	P51705	
33	Bearing Frame	P51572	P51572	P51572	
35	Shaft	P79012	P79012	P79012	
36	Bearing Cap – Pump End	P51582	P51582	P51582	
	Bearing Cap – Coupler End	P51584	P51584	P51584	
41	Ball Bearing – Pump End	J92413	J92413	J92413	
42	Ball Bearing – Coupler End	J92414	J92414	J92414	
	Bearing Retainer Ring	J92385	J92385	J92385	
	Bearing Locknut	J92388	J92388	J92388	
	Bearing Lockwasher	J92389	J92389	J92389	
37	Bearing Cap Capscrew (8)	DJ0071	DJ0071	DJ0071	
19	Water Slinger	P81917	P81917	P81917	

NOT OFFERED

*Includes Wear Ring.

■ – Factory recommended spare parts.

†Consult factory for delivery.

8G

ITEM NO.	DESCRIPTION	PUMP CONSTRUCTION				
		BRONZE FITTED	BRONZE FITTED W/WEAR RING	ALL IRON	ALL BRONZE	
1	Volute	AC0274	AC0274	AC0274	NOT OFFERED	
43	Volute Wear Ring	—	AC0769	—		
5	Volute Capscrew (8)	P13810	P13810	P13810		
3	Volute O-Ring	AC0543	AC0543	AC0543		
26	Seal (EPR/Carbon/Ni-Resist)	186574	186574	186574		
26	Seal (Buna/Carbon/Ceramic)	P70517	P70517	P70517		
26	Seal (EPR/Carbon/Tungsten Carbide)	AC3049	AC3049	AC3049		
45	Spacer Sleeve	AC0573	AC0573	AC0573		
30	Gland	AC0664	AC0664	AC0664		
21	Gland Stud (2)	AC0581	AC0581	AC0581		
22	Gland Nut (2)	AC0501	AC0501	AC0501		
	Coupler	See Coupler Selection Table, Page 53				
ANSI/OSHA Coupling Guard & Support Bracket Kit Selection, See Page 54						
2	Impeller (State Diameter) 13" Full Dia.	AC0394	—	AC0395		
2	Impeller for Wear Ring (State Diameter) 13" Full Dia.	—	AC1225	—		
44	Impeller Nut	AC0584	AC0584	AC0584		
10	Impeller Washer	AC0503	AC0503	AC0503		
11	Shaft Sleeve (Bronze)	AC0609	AC0609	NONE		
11	Shaft Sleeve (Stainless Steel)	AC0608	AC0608	AC0608		
4	Volute Coverplate	AC0306	AC0306	AC0306		
43	Coverplate Wear Ring	—	AC0769	—		
	Bearing Frame Assembly Consisting of:	186006	186006	186006		
33	Bearing Frame	AC0480	AC0480	AC0480		
35	Shaft	AC0734	AC0734	AC0734		
36	Bearing Cap (2)	AC0702	AC0702	AC0702		
41 & 42	Ball Bearing (2)	186572	186572	186572		
46	Shaft Retainer Ring	AC0516	AC0516	AC0516		
47	Retainer Ring (Outboard)	AC0515	AC0515	AC0515		
48	Retainer Ring (Inboard)	AC0512	AC0512	AC0512		
	Coupler Key	AC0525	AC0525	AC0525		
20	Impeller Key	AC0524	AC0524	AC0524		
19	Water Slinger	AC0621	AC0621	AC0621		
	Pipe Plug	AC0532	AC0532	AC0532		
	Grease Fitting (2)	P70614	P70614	P70614		
	Support Foot Capscrew	S43640	S43640	S43640		
	Support Foot Lockwasher	P16690	P16690	P16690		
50	Bearing Support Foot	AC0930	AC0930	AC0930		
49	By-Pass Piping Consisting of:					
	Tubing (2 ft.)	X42104	X42104	X43501		
	Elbow	AC0533	AC0533	AC0531		
	Connector	AC0535	AC0535	AC0536		
	Connector	NONE	NONE	AC0537		

■ – Factory recommended spare parts.

Coupler Selection Table

PUMP SIZE	FRAME SIZE	SHAFT SPACE	H.P.	MOTOR SHAFT SIZE	COUPLER 16	SLEEVE FOR WOOD'S COUPLER	SPIDER FOR LOVEJOY COUPLER
FOR PUMPS WITH SMALL BEARING FRAME 1" SHAFT AT COUPLER	56	1 1/4"	1/2-3/4	5/8"	186868	P78804(4J)	P45540
	143T-145T	1 3/4"	1 - 1 1/2 - 2 - 3	7/8"	186869	P78804(4J)	P45540
	182T-184T	1 3/4"	2 - 3 - 5 - 7 1/2	1 1/8"	186870	P78729(5J)	P45540
	213T	2 1/2"	5 - 7 1/2 - 10	1 3/8"	186871	P78791(6J)	P45532
	215T	2 1/2"	7 1/2 - 10 - 15	1 3/8"	186871	P78791(6J)	P45532
	254T	2 1/2"	15 - 20	1 5/8"	186873	P78792(7S)	P45532
	256T	2 1/2"	20 - 25	1 5/8"	P63240	P78794(8S)	P45532
FOR PUMPS WITH LARGE BEARING FRAME 1 1/4" SHAFT AT COUPLER	213T	3 3/4"	7 1/2	1 3/8"	186872	P78791(6J)	P45532
	215T	3 3/4"	10	1 3/8"	186872	P78791(6J)	P45532
	254T	3 3/4"	15	1 5/8"	P63239	P78792(7S)	P45532
	256T	3 3/4"	20	1 5/8"	186874	P78794(8S)	—
	284T	3 3/4"	25	1 7/8"	P63242	P78794(8S)	—
	284T	4"	25	1 7/8"	P63243	P78794(8S)	—
	286T	3 3/4"	30	1 7/8"	P63244	P78796(9S)	—
	286T	4"	30	1 7/8"	P63244	P78796(9S)	—
	284TS	3 3/4"	30	1 5/8"	P63239	P78792(7S)	P45532
	286TS	3 3/4"	40	1 5/8"	186874	P78794(8S)	P45532
	324T	4"	40	2 1/8"	P63245	P78796(9S)	—
	326T	4"	50	2 1/8"	P63247	P78798(10S)	—
	324TS	3 3/4"	50	1 7/8"	P63242	P78794(8S)	—
	326TS	3 3/4"	60	1 7/8"	P63244	P78796(9S)	—
	364T	4"	60	2 3/8"	P63248	P78798(10S)	—
	364TS	4"	60-75	1 7/8"	P63244	P78796(9S)	—
	365T	4"	75	2 3/8"	P63250	P78802(11S)	—
365TS	4"	75-100	1 7/8"	P63246	P78798(10S)	—	
404TS	4"	100-125	2 1/8"	P63253	P78802(11S)	—	
FOR 5G AND 6G PUMPS WITH EXTRA LARGE BEARING FRAME 1 7/8" SHAFT AT COUPLER**	324T	5 3/8"	50	2 1/8"	P82161 P82162	P78796	—
	326T	5 3/8"	50	2 1/8"	P82096 P82097	P82098	—
	364TS	5 3/8"	60	1 7/8"	P82096 2 REQ'D	P82098	—
	365TS	5 3/8"	75	1 7/8"	P82158 2 REQ'D	P82142	—
	404TS	5 3/8"	100	2 1/8"	P82158 P82141	P82142	—
	405TS	5 3/8"	125	2 1/8"	P82161 P82162	P82144	—
FOR 8G PUMPS WITH EXTRA LARGE BEARING FRAME [†] 1 5/8" SHAFT AT COUPLER**	284T	1 1/2"	25	1 7/8"	AC1471 AC1472	AC1444	—
	286T	1 1/2"	30	1 7/8"	AC1471 AC1472	AC1444	—
	324T	1 1/2"	40	2 1/8"	AC1475 AC1477	AC1445	—
	326T	1 1/2"	50	2 1/8"	AC1475 AC1477	AC1445	—
	364T	3"	60	2 3/8"	AC1483 AC1480	P78802	—
	365T	3"	75	2 3/8"	AC1483 AC1480	P78802	—
	364TS	3 5/8"	60	1 7/8"	AC1481 AC1480	P78802	—
	365TS	3 5/8"	75	1 7/8"	AC1481 AC1480	P78802	—
	404TS	3 5/8"	100	2 1/8"	AC1485 AC1486	P81933	—
	405TS	3 5/8"	125	2 1/8"	AC1485 AC1486	P81933	—
	444TS	3 5/8"	150	2 3/8"	52-219-923-519 AC1485	P81933	—
	445TS	3 5/8"	200	2 3/8"	52-219-923-519 AC1485	P81933	—

**SPACER TYPE COUPLER USED ON THESE PUMPS. TO OBTAIN COMPLETE COUPLER, SPECIFY BOTH HALVES AND SLEEVE.

— Factory recommended spare parts.

[†]Consult factory if coupler is needed for an 8G pump manufactured before 2001.

ANSI/OSHA Guard & Support Bracket Kit Selection Chart for Standard EPDM Coupling

Coupler Guard Kit Part Numbers: 1=186884 2=186885 3=186887 4=186888
5=186889 6=185327

PUMP SIZE	BEARING FRAME	MOTOR FRAME / GUARD KIT NUMBER																SUPPORT BRACKET KIT									
		56	143T	145T	182T	184T	213T	215T	254T	256T	284T	284TS	286T	286TS	324T	324TS	326T		326TS	364T	364TS	365T	365TS	404TS	405TS	444TS	445TS
1 1/4AB & 1 1/4AC	SMALL	1	1	1	1	1	1	1	2																		186905
																											186906
1 1/2AB & 1 1/2AC	SMALL	1	1	1	1	1	1	1	2																		186905
																											186906
2AB & 2AC	SMALL	1	1	1	1	1	1	1	2	2																	186905
																											186906
2 1/2A & 2 1/2AB	SMALL	1	1	1	1	1	1	1	2	2																	186905
																											186906
3AB & 3AC	SMALL	1	1	1	1	1																					186905
	LARGE						2	2																			186904
																											186905
																											186906
4AB & 4AC	SMALL	1	1	1	1	1																					186906
	LARGE						2	2	2						2	2											186905
																											186906
5A	SMALL				1	1	1	1																			186908
	LARGE								2	2		2	2		2	2		2		2							186907
																											186906
1 1/4BB & 1 1/4BC	SMALL	1	1	1	1																						186906
	LARGE						2	2	2	2				2	2												186905
																											186906
1 1/2BB & 1 1/2BC	SMALL	1	1	1	1	1																					186906
	LARGE						2	2	2						2	2											186905
																											186906
2BB & 2BC	SMALL	1	1	1	1	1																					186906
	LARGE						2	2	2					2	2			2	2								186905
																											186906
2 1/2B & 2 1/2BB	SMALL			1	1	1	1	1																			186906
	LARGE								2	2					2	2											186905
																											186906
3BB & 3BC	SMALL				1	1	1	1	2																		186906
	LARGE													2	2			2	2								186905
																											186906
4BB & 4BC	SMALL					1	1	1	2																		186908
	LARGE									2	2		2	2	2	2		2	2								186907
																											186910
5BB & 5BC	SMALL						1	1	2																		186911
	LARGE									2	2		2	2													186908
6BB & 6BC	LARGE								2	2	2	2		2		2											186908
	SMALL					1	1	1	1	2																	186908
2E	SMALL																										186907
	LARGE													2	2		2	2									186910
																											186908
3E	SMALL					1	1	1	2																		186908
	LARGE									2						2	2										186910
																											186908
4E	SMALL					1	1	2																			186908
	LARGE									2	2				2	2		2	2								186907
																											186910
5E	LARGE							2	2	2	2		2	2	2		2										186908
6E	LARGE								2	2	2	2		2	2	2		4									186910
2CB & 2G	LARGE						2	2	2	2	2		2	2													186907
3CB & 3G	LARGE						2	2	2	2	2		2	2													186907
4CB, 4G & 4GB	LARGE						2	2	2	2	2		2	2	2												186908
5CB & 5G	LARGE								2	2	2		2	2		2		4									186910
	X-LARGE																4										186913
6CB & 6G	LARGE									2	2		2	2		2		4									186910
	X-LARGE (a)																		4								186913
	X-LARGE (b)																			4							186913
8G	X-LARGE																										186916

(a) Standard Hytel Coupler
(b) EPDM Sleeve Option

HOW TO USE THIS CHART TO SELECT A COUPLER GUARD AND BRACKET KIT:

Example (shaded gray above): Pump Model = 4AC w/ a 20 HP, 208-230/460 Volt, 3 PH, 3600 RPM, 254T Fr. motor. The Coupler Guard kit is 186885 and the support bracket kit is 186905.

Mechanical Seals for Stuffing Box Type Pumps*

ITEM NO.	DESCRIPTION	NUMBER REQUIRED	1-1/4" SHAFT	1-5/8" SHAFT	2-3/8" SHAFT
----------	-------------	-----------------	--------------	--------------	--------------

TABLE A - ALL IRON AND BRONZE FITTED – SINGLE SEAL – SERIES S

26	Seal Assembly EPR/Carbon/Tungsten Carbide	1	P85070	185050	P63308
24	Seal Cap	1	P85082	P85086	P51592
21	Seal Cap Capscrew	4	H28100	H28100	DJ0071
22	Seal Cap Nut	4	P52380	P52380	NONE
23	Seal Cap Washer	4	P10910	P10910	NONE
25	Seal Cap Gasket	1	P85077	P85078	P80768
11	Shaft Sleeve	1	P85075	185022	P78743

TABLE B - ALL IRON AND BRONZE FITTED PUMPS – DOUBLE SEAL – SERIES D

29	Seal Assembly EPR/Carbon/Ceramic	1	P85066	186843	NOT OFFERED
27	Seal Cap	1	P85090	P85094	
21	Seal Cap Capscrew	4	H28100	H28100	
22	Seal Cap Nut	4	P52380	P52380	
23	Seal Cap Washer	4	P10910	P10910	
28	Seal Cap Gasket	1	NONE	P85078	
11	Shaft Sleeve	1	P85075	185022	

Packing Sets for Stuffing Box Type Pumps*

ITEM NO.	DESCRIPTION	NUMBER REQUIRED	1-1/4" SHAFT	1-5/8" SHAFT	2-3/8" SHAFT
----------	-------------	-----------------	--------------	--------------	--------------

TABLE C - BRONZE FITTED PUMPS – SERIES PF

31	Packing Ring Set (4 Piece to Each Set)	1 Set	P82070	P82072	P82015
32	Lantern Ring Set (2 Halves to Each Set)	1 Set	P84985	P84986	P84988
30	Packing Gland Halves	2	P85048	P85050	P51595
21	Packing Gland Capscrew	2	J92052	J92052	J92051
22	Seal Cap Nut	2	J91659	J91659	NONE
23	Seal Cap Gasket	2	J91649	J91649	J91649
11	Shaft Sleeve	1	P85075	185022	P78743

TABLE D - ALL IRON PUMPS – SERIES PF

31	Packing Ring Set (4 Pieces to Each Set)	1 Set	P82070	P82072	P82015
32	Lantern Ring (2 Halves to Each Set)	1 Set	P84985	P84986	P84988
30	Packing Gland Halves	2	P85049	P85051	P51596
21	Packing Gland Capscrew	2	J92052	J92052	J92051
22	Packing Gland Nut	2	J91659	J91659	NONE
23	Packing Gland Washer	2	J91649	J91649	J91649
11	Shaft Sleeve	1	P85075	185022	P78743

NOTE: Bronze Fitted Pumps are designated "BF" on nameplate.

All Iron Pumps are designated "AI" on nameplate.

Bronze Fitted Pumps with wearing rings are designated "BFW" on nameplate.

Standard Design Bronze Fitted Pumps (sizes 6G and smaller) with EPR/Carbon Tungsten Carbide seals are designated "BFE" on the nameplate. Bronze Fitted Pumps with Stuffing Box Construction and EPR/Carbon/Tungsten Carbide seals are designated "-S" on the nameplate. Standard design 1510 8G pumps are -S Construction with EPR/Carbon/Ni-Resist seals and are designated "BFE" on the nameplate. See page 52 for 8G seal selection.

■ – Factory recommended spare parts.

*Do not use this page for 8G pumps. See page 52 for 8G seal selection.



ITT

BELL & GOSSETT PRODUCTS

Stocked ... Sold ... Serviced EVERYWHERE!

FOR MORE DETAILS CALL YOUR LOCAL BELL & GOSSETT REPRESENTATIVE

ALABAMA

James M. Pleasants Co., Inc.
Irontdale (Birmingham)
Phone: 205/956-2362

ALASKA

Columbia Hydronics Co.
Anchorage
Phone: 907/563-3327

ARIZONA

J & B Sales Company
Phoenix
Phone: 602/258-1545

ARKANSAS

Johnson & Scott, Inc.
Little Rock
Phone: 501/803-9520
Hydronic Technology Inc.
Shreveport, LA
Phone: 318/797-1500
Boone & Boone Sales Co., Inc.
Tulsa, OK
Phone: 918/664-9756

CALIFORNIA

California Hydronics Corp.
Hayward (San Francisco)
Phone: 510/293-1993
Rocklin (Sacramento)
Phone: 510/293-1993
San Jose
Phone: 408/295-5874
Dawson Co.
Altadena (Los Angeles)
Phone: 626/797-9710
San Diego
Phone: 858/541-7867

COLORADO

McNevin Company
Aurora (Denver)
Phone: 303/322-0165

CONNECTICUT

F.I.A., Inc.
Middleton
Phone: 781-938-8900

DELAWARE

R. D. Bitzer Co., Inc.
Bensalem, PA
Phone: 215/604-6600
Cummins-Wagner Co., Inc.
Annapolis Junction, MD
Phone: 800/966-1277
301/490-9007

FLORIDA

George A. Israel Jr., Inc.
Jacksonville
Phone: 904/355-7867
Miami
Phone: 305/592-5343
Orlando
Phone: 407/423-5078
Tampa
Phone: 813/839-2161
79 Holly Circle
Tequesta, FL 33469
Phone: 561/248-3556
James M. Pleasants Co., Inc.
Pensacola
Phone: 205/956-2362

GEORGIA

James M. Pleasants Co., Inc.
Duluth
Phone: 678/507-1091
Norcross
Phone: 800/522-1861
678/507-1091
George A. Israel Jr., Inc.
Jacksonville, FL
Phone: 904/355-7867

HAWAII

CBC Inc.
Kailua
Phone: 808/263-8838

IDAHO

Gritton & Associates, Inc.
Salt Lake City, UT
Phone: 801/486-0767
Columbia Hydronics Co.
Boise
Phone: 208/345-2744

ILLINOIS

Bornquist, Inc.
Chicago
Phone: 773/774-2800
Blackmore & Glunt, Inc.
Maryland Hgts. (St. Louis) MO
Phone: 314/878-4313
Sandberg Co., Inc.
East Moline
Phone: 309/796-2371
Hydronic & Steam Equip. Co., Inc.
Indianapolis, IN
Phone: 800/669-4926

INDIANA

Hydronic & Steam Equip. Co., Inc.
Indianapolis
Phone: 800/669-4926
Evansville
Phone: 800/473-2753
Ft. Wayne
Phone: 260/489-5785
South Bend
Phone: 800/932-6490
Bornquist, Inc.
Chicago, IL
Phone: 773/774-2800
Blackmore & Glunt, Inc.
Cincinnati, OH
Phone: 513/489-5225

IOWA

Products, Inc.
Des Moines
Phone: 515/288-5738
Sandberg Co., Inc.
East Moline, IL
Phone: 309/796-2371
Verne Simmonds Co.
Omaha, NE
Phone: 402/592-3131

KANSAS

Blackmore & Glunt, Inc.
Lenexa (Kansas City)
Phone: 913/469-5715

KENTUCKY

Blackmore & Glunt, Inc.
Cincinnati, OH
Phone: 513/489-5225
Hydronic & Steam Equip. Co., Inc.
Evansville, IN
Phone: 800/473-2753
812/473-0330

LOUISIANA

Johnson & Scott, Inc.
Nashville, TN
Phone: 615/254-5454
Louisiana
Hydronic Technology Inc.
New Orleans
Phone: 800/365-6746
504/827-1163
Shreveport
Phone: 800/673-5737
318/797-1500

MAINE

F.I.A., Inc.
Woburn (Boston) MA
Phone: 781/938-8900

MARYLAND

Cummins-Wagner Co., Inc.
Annapolis Junction
Phone: 800/966-1277
301/490-9007
Thermoflo Equipment Co., Inc.
Pittsburgh, PA
Phone: 412/366-2012

MASSACHUSETTS

F.I.A., Inc.
Woburn (Boston)
Phone: 781/938-8900

MICHIGAN

R. L. Deppmann Co.
Southfield (Detroit)
Phone: 248/354-3710
Grand Rapids
Phone: 616/656-0821
Bridgeport
Phone: 989/652-3049
Hydro-Flo Products, Inc.
Brookfield (Milwaukee), WI
Phone: 262/781-2810

MINNESOTA

Mulcahy Company
Eagan
Phone: 651/686-8580

MISSISSIPPI

Hydronic Technology Inc.
New Orleans, LA
Phone: 800/365-6746
504/827-1163
Johnson & Scott, Inc.
Little Rock, AR
Phone: 501/803-9520

MISSOURI

Blackmore & Glunt, Inc.
Lenexa (Kansas City) KS
Phone: 913/469-5715
Maryland Hgts. (St. Louis)
Phone: 314/878-4313

MONTANA

Columbia Hydronics Co.
Spokane, WA
Phone: 509/242-1118

NEBRASKA

Verne Simmonds Co.
Omaha
Phone: 402/592-3131

NEVADA

California Hydronics Corp.
Reno, NV
Phone: 775/786-6068
Gritton & Associates, Inc.
Las Vegas, NV
Phone: 801/486-0767

NEW HAMPSHIRE

F.I.A., Inc.
Woburn (Boston) MA
Phone: 781/938-8900

NEW JERSEY

Wallace-Eannace Assoc., Inc.
Franklin Lakes
Phone: 201/891-9550
R. D. Bitzer Co., Inc.
Bensalem, PA
Phone: 215/604-6600

NEW MEXICO

Boyd Engineering Co., Inc.
Albuquerque
Phone: 505/275-1250

NEW YORK

Wallace-Eannace Assoc., Inc.
Plainview (NYC)
Phone: 516/691-9300
Frank P. Langley Co., Inc.
E. Rochester
Phone: 585/248-5010
Amherst (Buffalo)
Phone: 716/691-7575
Johnston City
Phone: 607/766-9950
Albany
Phone: 518/459-1060
Syracuse Thermal Products, Inc.
East Syracuse
Phone: 315/437-7321

NORTH CAROLINA

James M. Pleasants Co., Inc.
Greensboro
Phone: 800/365-9010
336/378-9911
Charlotte
Phone: 704/545-0145
Raleigh
Phone: 919/845-1960
Wilmington
Phone: 910/794-5447

NORTH DAKOTA

Mulcahy Company
Eagan, MN
Phone: 651/686-8580

OHIO

Blackmore & Glunt, Inc.
Cincinnati
Phone: 513/489-5225
R. L. Deppmann Co.
Richfield
Phone: 330/468-1102

OHIO (Cont'd.)

Steffens-Shultz, Inc.
Columbus
Phone: 614/274-5515
Dayton, Ohio
Phone: 937/454-4980
Thermoflo Equipment Co., Inc.
Pittsburgh, PA
Phone: 412/366-2012

OKLAHOMA

Boone & Boone Sales Co., Inc.
Oklahoma City
Phone: 405/525-7475
Tulsa
Phone: 918/664-9756

OREGON

Columbia Hydronics Co.
Vancouver, WA
Phone: 360/883-2600

PENNSYLVANIA

R. D. Bitzer Co., Inc.
Bensalem
Phone: 215/604-6600
Thermoflo Equipment Co., Inc.
Pittsburgh
Phone: 412/366-2012

Frank P. Langley Co., Inc.
Amherst (Buffalo) NY
Phone: 716/691-7575

RHODE ISLAND

F.I.A., Inc.
Woburn (Boston) MA
Phone: 781/938-8900

SOUTH CAROLINA

James M. Pleasants Co., Inc.
Greensboro, NC
Phone: 800/365-9010
336/378-9911

Columbia
Phone: 803/798-1405
Greenville
Phone: 864/232-0200

SOUTH DAKOTA

Mulcahy Company
Eagan, MN
Phone: 651/686-8580

Verne Simmonds Co.
Omaha, NE
Phone: 402/592-3131

TENNESSEE

Johnson & Scott, Inc.
Nashville
Phone: 615/254-5454
Cordova (Memphis)
Phone: 901/388-2919
James M. Pleasants Co., Inc.
Greensboro, NC
Phone: 800/365-9010
336/378-9911
Knoxville
Phone: 865/584-5054

TEXAS

Boyd Engineering Co., Inc.
Albuquerque, NM
Phone: 505/275-1250
Oslin Nation Co.
Dallas
Phone: 214/631-5650
Ft. Worth
Phone: 817/590-2500

TEXAS (Cont'd.)

Oslin Nation Co. (Cont'd)
Houston
Phone: 713/699-3500
San Antonio
Phone: 800/243-7756

UTAH

Gritton & Associates, Inc.
Salt Lake City
Phone: 801/486-0767

VERMONT

F.I.A., Inc.
Woburn (Boston) MA
Phone: 781/938-8900

VIRGINIA

TLA, Inc.
Richmond
Phone: 804/321-4444
Virginia Beach
Phone: 757/497-3567
Cummins-Wagner Co., Inc.
Annapolis Junction, MD
Phone: 800/966-1277
301/490-9007

WASHINGTON

Columbia Hydronics Co.
Tukwile
Phone: 206/241-0500
Spokane
Phone: 509/242-1118
Vancouver
Phone: 360/883-2600

WASHINGTON, DC

Cummins-Wagner Co., Inc.
Annapolis Junction, MD
Phone: 800/966-1277
301/490-9007

WEST VIRGINIA

Blackmore & Glunt, Inc.
Cincinnati, OH
Phone: 513/489-5225

TLA, Inc.

Richmond, VA
Phone: 804/321-4444
Thermoflo Equipment Co., Inc.
Pittsburgh, PA
Phone: 412/366-2012

WISCONSIN

Hydro-Flo Products, Inc.
Brookfield (Milwaukee)
Phone: 262/781-2810
Mulcahy Company
Eagan, MN
Phone: 651/686-8580

WYOMING

Gritton & Associates, Inc.
Salt Lake City, UT
Phone: 801/486-0767
J. E. McNevin Co.
Aurora (Denver), CO
Phone: 303/322-0165

INTERNATIONAL:

Visit our website or contact our office at the address shown below.

© COPYRIGHT 2008 BY
ITT CORPORATION
PRINTED IN U.S.A. 5-08

THE ITT ENGINEERED BLOCKS SYMBOL AND
ENGINEERED FOR LIFE ARE REGISTERED
TRADEMARKS OF ITT CORPORATION

ITT BELL & GOSSETT
8200 N. Austin Avenue
Morton Grove, IL 60053
Phone: (847) 966-3700
Fax: (847) 966-9052
www.bellgossett.com



CANADA
ITT R&CW Canada
55 Royal Road
Guelph, Ontario,
N1H 1T1, Canada
Phone: (519) 821-1900
www.ittpc.ca