



# 18" (457 mm) DRILL PRESS WITH LASERS

Perceuse à Colonne  
de 457 mm (18 po)  
avec Lasers

Taladro de banco  
de 457 mm (18 pulg)  
con láser

Français (23)

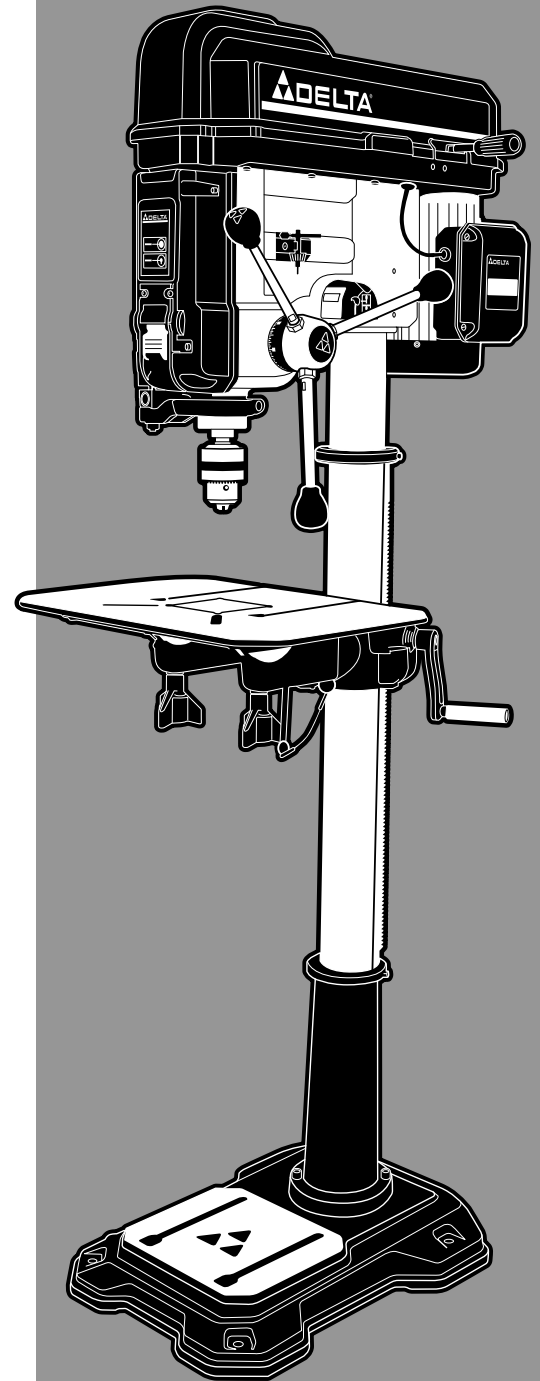
Español (45)

[www.deltaportercable.com](http://www.deltaportercable.com)

**Instruction manual**  
Manuel d'utilisation  
Manual de instrucciones

INSTRUCTIVO DE OPERACIÓN, CENTROS  
DE SERVICIO Y PÓLIZA DE GARANTÍA.

**⚠ ADVERTENCIA:** LÉASE ESTE INSTRUCTIVO  
ANTES DE USAR EL PRODUCTO.



# 18-900L

# TABLE OF CONTENTS

IMPORTANT SAFETY INSTRUCTIONS.....	2	OPERATION .....	12
SAFETY GUIDELINES - DEFINITIONS .....	2	TROUBLESHOOTING .....	20
GENERAL SAFETY RULES .....	3	MAINTENANCE .....	20
ADDITIONAL SPECIFIC SAFETY RULES .....	4	SERVICE.....	21
ADDITIONAL SAFETY RULES FOR THE LASERS.....	4	ACCESSORIES .....	21
FUNCTIONAL DESCRIPTION .....	6	WARRANTY .....	21
CARTON CONTENTS.....	7	FRANÇAIS.....	22
ASSEMBLY.....	8	ESPAÑOL .....	43

## IMPORTANT SAFETY INSTRUCTIONS

**⚠ WARNING:** Read all warnings and operating instructions before using any tool or equipment. When using tools or equipment, basic safety precautions should always be followed to reduce the risk of personal injury. Improper operation, maintenance or modification of tools or equipment could result in serious injury and property damage. There are certain applications for which tools and equipment are designed. This product is NOT to be modified and/or used for any application other than for which it was designed.



If you have any questions relative to its application DO NOT use the product until you have written DELTA Machinery and we have advised you. Contact us online at [www.deltaportercable.com](http://www.deltaportercable.com) or by mail at End User Services, DELTA Machinery, 4825 Highway 45 North, Jackson, TN 38302-2468. In Canada, 125 Mural St. Suite 300, Richmond Hill, ON, L4B 1M4)

Information regarding the safe and proper operation of this tool is available from the following sources:

- Power Tool Institute, 1300 Sumner Avenue, Cleveland, OH 44115-2851 or online at [www.powertoolinstitute.com](http://www.powertoolinstitute.com)
- National Safety Council, 1121 Spring Lake Drive, Itasca, IL 60143-3201
- American National Standards Institute, 25 West 43rd Street, 4 floor, New York, NY 10036 [www.ansi.org](http://www.ansi.org) - ANSI 01.1 Safety Requirements for Woodworking Machines
- U.S. Department of Labor regulations [www.osha.gov](http://www.osha.gov)

**SAVE THESE INSTRUCTIONS!**

## SAFETY GUIDELINES - DEFINITIONS

It is important for you to read and understand this manual. The information it contains relates to protecting YOUR SAFETY and PREVENTING PROBLEMS. The symbols below are used to help you recognize this information.

**⚠ DANGER:** indicates an imminently hazardous situation which, if not avoided, **will** result in **death or serious injury**.

**⚠ WARNING:** indicates a potentially hazardous situation which, if not avoided, **could** result in **death or serious injury**.

**⚠ CAUTION:** indicates a potentially hazardous situation which, if not avoided, **may** result in **minor or moderate injury**.

**NOTICE:** indicates a practice **not related to personal injury** which, if not avoided, **may** result in **property damage**.

**⚠ WARNING:** Some dust created by power sanding, sawing, grinding, drilling, and other construction activities contains chemicals known to the State of California to cause cancer, birth defects or other reproductive harm. Some examples of these chemicals are:

- Lead from lead-based paints,
- Crystalline silica from bricks and cement and other masonry products, and
- Arsenic and chromium from chemically-treated lumber (CCA).

Your risk from these exposures varies, depending on how often you do this type of work. To reduce your exposure to these chemicals: work in a well-ventilated area, and work with approved safety equipment, such as dust masks that are specially designed to filter out microscopic particles.

# GENERAL SAFETY RULES

**⚠ WARNING:** Failure to follow these rules may result in serious personal injury.

- 1. For your own safety, read the instruction manual before operating the machine.** Learning the machine's application, limitations, and specific hazards will greatly minimize the possibility of accidents and injury.
- 2. Wear eye and hearing protection and always use safety glasses.** Everyday eyeglasses are not safety glasses. Use certified safety equipment. Eye protection equipment should comply with ANSI Z87.1 standards. Hearing equipment should comply with ANSI S3.19 standards.
- 3. Wear proper apparel.** Do not wear loose clothing, gloves, neckties, rings, bracelets, or other jewelry which may get caught in moving parts. Nonslip protective footwear is recommended. Wear protective hair covering to contain long hair.
- 4. Do not use the machine in a dangerous environment.** The use of power tools in damp or wet locations or in rain can cause shock or electrocution. Keep your work area well-lit to prevent tripping or placing arms, hands, and fingers in danger.
- 5. Do not operate electric tools near flammable liquids or in gaseous or explosive atmospheres.** Motors and switches in these tools may spark and ignite fumes.
- 6. Maintain all tools and machines in peak condition.** Keep tools sharp and clean for best and safest performance. Follow instructions for lubricating and changing accessories. Poorly maintained tools and machines can further damage the tool or machine and/or cause injury.
- 7. Check for damaged parts.** Before using the machine, check for any damaged parts. Check for alignment of moving parts, binding of moving parts, breakage of parts, and any other conditions that may affect its operation. A guard or any other part that is damaged should be properly repaired or replaced with DELTA or factory authorized replacement parts. Damaged parts can cause further damage to the machine and/or injury.
- 8. Keep the work area clean.** Cluttered areas and benches invite accidents.
- 9. Keep children and visitors away.** Your shop is a potentially dangerous environment. Children and visitors can be injured.
- 10. Reduce the risk of unintentional starting.** Make sure that the switch is in the "OFF" position before plugging in the power cord. In the event of a power failure, move the switch to the "OFF" position. An accidental start-up can cause injury. Do not touch the plug's metal prongs when unplugging or plugging in the cord.
- 11. Use the guards.** Check to see that all safety devices are in place, secured, and working correctly to prevent injury.
- 12. Remove adjusting keys and wrenches before starting the machine.** Tools, scrap pieces, and other debris can be thrown at high speed, causing injury.
- 13. Use the right machine.** Don't force a machine or an attachment to do a job for which it was not designed. Damage to the machine and/or injury may result.
- 14. Use recommended accessories.** The use of accessories and attachments not recommended by DELTA may cause damage to the machine or injury to the user.
- 15. Use the proper extension cord.** Make sure your extension cord is in good condition. When using an extension cord, be sure to use one heavy enough to carry the current your product will draw. An undersized cord will cause a drop in line voltage, resulting in loss of power and overheating. See the Extension Cord Chart for the correct size depending on the cord length and nameplate ampere rating. If in doubt, use the next heavier gauge. The smaller the gauge number, the heavier the cord.
- 16. Secure the workpiece.** Use clamps or a vise to hold the workpiece when practical. Loss of control of a workpiece can cause injury.
- 17. Feed the workpiece against the direction of the rotation of the blade, cutter, or abrasive surface.** Feeding it from the other direction will cause the workpiece to be thrown out at high speed.
- 18. Don't force the workpiece on the machine.** Damage to the machine and/or injury may result.
- 19. Don't overreach.** Loss of balance can make you fall into a working machine, causing injury.
- 20. Never stand on the machine.** Injury could occur if the tool tips, or if you accidentally contact the cutting tool.
- 21. Never leave the machine running unattended.** Turn the power off. Don't leave the machine until it comes to a complete stop. A child or visitor could be injured.
- 22. Turn the machine "OFF", and disconnect the machine from the power source before installing or removing accessories, changing cutters, adjusting or changing set-ups.** When making repairs, be sure to lock the start switch in the "OFF" position. An accidental start-up can cause injury.
- 23. Make your workshop childproof with padlocks, master switches, or by removing starter keys.** The accidental start-up of a machine by a child or visitor could cause injury.
- 24. Stay alert, watch what you are doing, and use common sense.** Do not use the machine when you are tired or under the influence of drugs, alcohol, or medication. A moment of inattention while operating power tools may result in injury.
- 25. ⚠ WARNING: Use of this tool can generate and disperse dust or other airborne particles, including wood dust, crystalline silica dust and asbestos dust.** Direct particles away from face and body. Always operate tool in well ventilated area and provide for proper dust removal. Use dust collection system wherever possible. Exposure to the dust may cause serious and permanent respiratory or other injury, including silicosis (a serious lung disease), cancer, and death. Avoid breathing the dust, and avoid prolonged contact with dust. Allowing dust to get into your mouth or eyes, or lay on your skin may promote absorption of harmful material. Always use properly fitting NIOSH/ OSHA approved respiratory protection appropriate for the dust exposure, and wash exposed areas with soap and water.

# ADDITIONAL SPECIFIC SAFETY RULES

**⚠ WARNING** FAILURE TO FOLLOW THESE RULES MAY RESULT IN SERIOUS INJURY.

- DO NOT OPERATE THIS MACHINE** until it is completely assembled and installed according to the instructions. A machine incorrectly assembled can cause serious injury.
- OBTAIN ADVICE** from your supervisor, instructor, or another qualified person if you are not thoroughly familiar with the operation of this machine. Knowledge is safety.
- FOLLOW ALL WIRING CODES** and recommended electrical connections to prevent shock or electrocution.
- SECURE THE MACHINE TO A SUPPORTING SURFACE.** Vibration can cause the machine to slide, walk, or tip over.
- NEVER START THE MACHINE BEFORE CLEARING THE TABLE OF ALL OBJECTS** (tools, scrap pieces, etc.). Debris can be thrown at high speed.
- NEVER START THE MACHINE** with the drill bit, cutting tool, or sanding drum against the workpiece. Loss of control of the workpiece can cause serious injury.
- PROPERLY LOCK THE DRILL BIT, CUTTING TOOL, OR SANDING DRUM IN THE CHUCK** before operating this machine.
- REMOVE THE CHUCK KEY BEFORE STARTING THE MACHINE.** The chuck key can be thrown out at a high speed.
- TIGHTEN ALL LOCK HANDLES** before starting the machine. Loss of control of the workpiece can cause serious injury.
- USE ONLY DRILL BITS, CUTTING TOOLS, SANDING DRUMS, OR OTHER ACCESSORIES** with shank size recommended in your instruction manual. The wrong size accessory can cause damage to the machine and/or serious injury.
- USE ONLY DRILL BITS, CUTTING TOOLS, OR SANDING DRUMS** that are not damaged. Damaged items can cause malfunctions that lead to injuries.
- USE RECOMMENDED SPEEDS** for all operations. Other speeds may cause the machine to malfunction causing damage to the machine and/or serious injury.
- AVOID AWKWARD OPERATIONS AND HAND POSITIONS.** A sudden slip could cause a hand to move into the bit.
- KEEP ARMS, HANDS, AND FINGERS** away from the bit. Serious injury to the hand can occur.
- HOLD THE WORKPIECE FIRMLY AGAINST THE TABLE.** Do not attempt to drill a workpiece that does not have a flat surface against the table, or that is not secured by a vise. Prevent the workpiece from rotating by clamping it to the table or by securing it against the drill press column. Loss of control of the workpiece can cause serious injury.
- TURN THE MACHINE "OFF" AND WAIT FOR THE DRILL BIT, CUTTING TOOL, OR SANDING DRUM TO STOP TURNING** prior to cleaning the work area, removing debris, removing or securing work-piece, or changing the angle of the table. A moving drill bit, cutting tool, or sanding drum can cause serious injury.
- PROPERLY SUPPORT LONG OR WIDE** work-pieces. Loss of control of the workpiece can cause severe injury.
- DO NOT PLACE** more than 250 pounds of weight on the table.
- NEVER PERFORM LAYOUT, ASSEMBLY OR SET-UP WORK** on the table/work area when the machine is running. Serious injury can result.
- TURN THE MACHINE "OFF"**, disconnect the machine from the power source, and clean the table/work area before leaving the machine. **LOCK THE SWITCH IN THE "OFF" POSITION** to prevent unauthorized use. Someone else might accidentally start the machine and cause serious injury to themselves.
- ADDITIONAL INFORMATION** regarding the safe and proper operation of power tools (i.e. a safety video) is available from the Power Tool Institute, 1300 Sumner Avenue, Cleveland, OH 44115-2851 ([www.powertoolinstitute.com](http://www.powertoolinstitute.com)). Information is also available from the National Safety Council, 1121 Spring Lake Drive, Itasca, IL 60143-3201. Please refer to the American National Standards Institute ANSI O1.1 Safety Requirements for Woodworking Machines and the U.S. Department of Labor OSHA 1910.213 Regulations.

**SAVE THESE INSTRUCTIONS.**

Refer to them often and use them to instruct others.

# ADDITIONAL SAFETY RULES FOR THE LASERS

## SAFETY INSTRUCTIONS FOR LASERS

**⚠ WARNING:** Read and understand all instructions. Failure to follow all instructions listed below may result in electric shock, fire and/or serious personal injury.

**⚠ WARNING:** For your own safety, read the tool instruction manual before using any accessory. Failure to heed these warnings may result in personal injury and serious damage to the tool and the accessory. When servicing this tool, use only identical replacement parts.

**⚠ WARNING:** **LASER RADIATION EXPOSURE.** Do not disassemble or modify the laser. There are no user serviceable parts inside. Serious eye injury could result.

**⚠ WARNING:** **HAZARDOUS RADIATION.** Use or modification of the tool for anything other than its designed purpose may result in hazardous radiation exposure.

- Do not operate the laser in explosive atmospheres, such as in the presence of flammable liquids, gases, or dust. Power tools create sparks which may ignite the dust or fumes.
- Store idle laser out of reach of children and other untrained persons. Lasers are dangerous in the hands of untrained users.
- Tool service must be performed only by qualified repair personnel. Service or maintenance performed by unqualified personnel may result in injury. To locate your nearest DELTA service center call 1-800-223-7278 or go to [www.deltaportercable.com](http://www.deltaportercable.com) on the Internet.
- Do not use optical tools such as a telescope or transit to view the laser beam. Serious eye injury could result.
- Do not stare into beam aperture, or into a reflection from a mirror-like surface
- Do not place the laser in a position which may cause anyone to intentionally or unintentionally stare into the laser beam. Serious eye injury could result.
- Turn the laser off when it is not in use. Leaving the laser on increases the risk of staring into the laser beam.
- Do not disassemble the laser or laser power supply. There are no user serviceable parts inside.
- Do not modify the laser in any way. Modifying the tool may result in Hazardous Laser Radiation Exposure.
- Do not operate the laser around children or allow children to operate the laser. Serious eye injury may result.
- Do not remove or deface warning labels. Removing labels increases the risk of exposure to radiation.

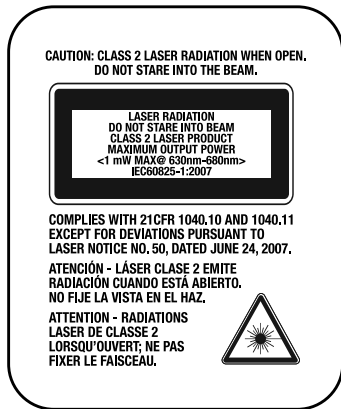
**⚠ WARNING: HAZARDOUS RADIATION.** Use or modification of the tool for anything other than its designed purpose may result in hazardous radiation exposure.

- The label on your tool may include the following symbols.
 

V .....	volts	mW.....	milliwatts
☀	..... Laser warning symbol	nm .....	wavelength in nanometers
II.....	Class II Laser	IIIa .....	Class IIIa Laser
~ .....	alternating current	=== .....	direct current
W .....	watts	Hz.....	hertz

**WARNING LABELS**

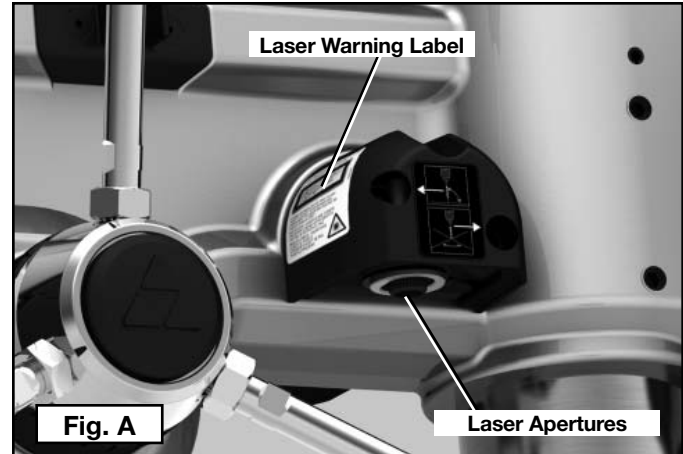
For your convenience and safety, the following label is on your laser:



LASER SPECIFICATIONS	
<b>LIGHT SOURCE</b>	Dual semiconductor laser diode
<b>LASER WAVELENGTH</b>	630nm – 680nm Visible
<b>LASER POWER</b>	<1mw (each beam) CLASS II LASER PRODUCT

**LASER APERTURES**

The laser aperture on each laser pod (on both sides of the drill press head) is located on each pod as shown in Figure A. Also, the warning label is located on the drill press as shown:



**POWER CONNECTIONS**

A separate electrical circuit should be used for your machines. A suitable circuit should not be less than AWG12/3 wiring where the ground wire is attached to an earth ground. The circuit should be protected by a circuit breaker or time delay fuse. **NOTE:** Time delay fuses should be marked “D” in Canada and “T” in the US. If an extension cord is used, use only 3-wire extension cords which have 3-prong grounding type plugs and matching receptacle which will accept the machine’s plug. Before connecting the machine to the power line, make sure the switch (s) is in the “OFF” position and be sure that the electric current is of the same characteristics as indicated on the machine. All line connections should make good contact. Running on low voltage will damage the machine.

**⚠ DANGER: SHOCK HAZARD.** Do not expose the machine to rain or operate the machine in damp locations.

**MOTOR SPECIFICATIONS**

Your machine is wired for 120 volt, 60 HZ alternating current. Before connecting the machine to the power source, make sure the switch is in the “OFF” position.

**GROUNDING INSTRUCTIONS**

**⚠ DANGER: SHOCK HAZARD.** This machine must be grounded while in use to protect the operator from electric shock.

**1. All grounded, cord-connected machines:**

In the event of a malfunction or breakdown, grounding provides a path of least resistance for electric current to reduce the risk of electric shock. This machine is equipped with an electric cord having an equipment-grounding conductor and a grounding plug. The plug must be plugged into a matching outlet that is properly installed and grounded in accordance with all local codes and ordinances.

Do not modify the plug provided - if it will not fit the outlet, have the proper outlet installed by a qualified electrician.

Improper connection of the equipment-grounding conductor can result in risk of electric shock. The conductor with insulation having an outer surface that is green with or without yellow stripes is the equipment-grounding conductor. If repair or replacement of the electric cord or plug is necessary, do not connect the equipment-grounding conductor to a live terminal.

Check with a qualified electrician or service personnel if the grounding instruction are not completely understood, or if in doubt as to whether the machine is properly grounded.

Use only 3-wire extension cords that have 3-prong grounding type plugs and matching 3-conductor receptacles that accept the machine’s plug, as shown in Fig. B.

Repair or replace damaged or worn cord immediately.

**2. Grounded, cord-connected machines intended for use on a supply circuit having a nominal rating less than 150 volts:**

If the machine is intended for use on a circuit that has an outlet that looks like the one illustrated in Fig. B, the machine will have a grounding plug that looks like the plug illustrated in Fig. B. A temporary adapter, which looks like the adapter illustrated in Fig. C may be used to connect this plug to a matching 2-conductor receptacle as shown in Fig. C, if a properly grounded outlet is not available. The temporary adapter should be used only until a properly grounded outlet can be installed by a qualified electrician. The green-colored rigid ear, lug, and the like, extending from the adapter must be connected to a permanent ground such as a properly grounded outlet box. Whenever the adapter is used, it must be held in place with a metal screw.

**NOTE:** In Canada, the use of a temporary adapter is not permitted by the Canadian Electric Code.

**⚠ DANGER: SHOCK HAZARD.** In all cases, make certain that the receptacle in question is properly grounded. If you are not sure, have a qualified electrician check the receptacle.

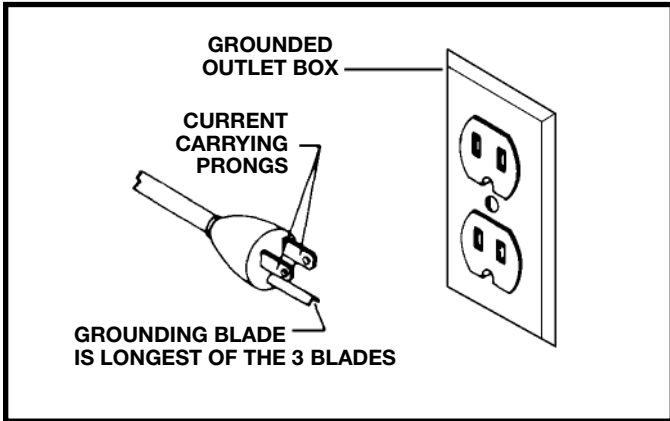


FIG. B

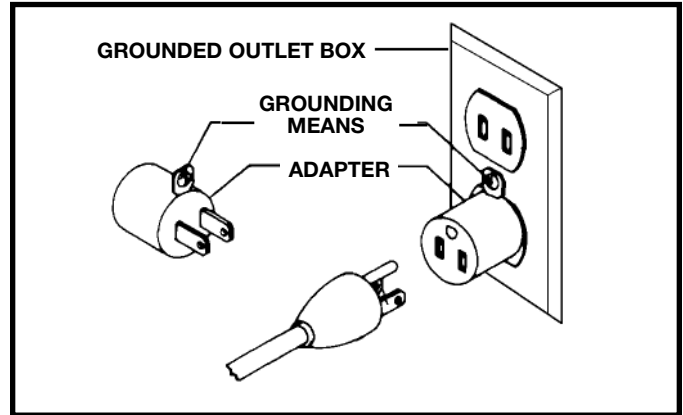


FIG. C

**EXTENSION CORDS**

**⚠ WARNING** Use proper extension cords. Make sure your extension cord is in good condition and is a 3-wire extension cord which has a 3-prong grounding type plug and matching receptacle which will accept the machine's plug. When using an extension cord, be sure to use one heavy enough to carry the current of the machine. An undersized cord will cause a drop in line voltage, resulting in loss of power and overheating. Fig. D-1 shows the correct gauge to use depending on the cord length. If in doubt, use the next heavier gauge. The smaller the gauge number, the heavier the cord.

MINIMUM GAUGE EXTENSION CORD			
RECOMMENDED SIZES FOR USE WITH STATIONARY ELECTRIC MACHINES			
Ampere Rating	Volts	Total Length of Cord in Feet	Gauge of Extension Cord
0-6	120	up to 25	18 AWG
		25-50	16 AWG
		50-100	16 AWG
		100-150	14 AWG
6-10	120	up to 25	18 AWG
		25-50	16 AWG
		50-100	14 AWG
		100-150	12 AWG
10-12	120	up to 25	16 AWG
		25-50	16 AWG
		50-100	14 AWG
		100-150	12 AWG
12-16	120	up to 25	14 AWG
		25-50	12 AWG
		GREATER THAN 50 FEET NOT RECOMMENDED	

Fig. D-1

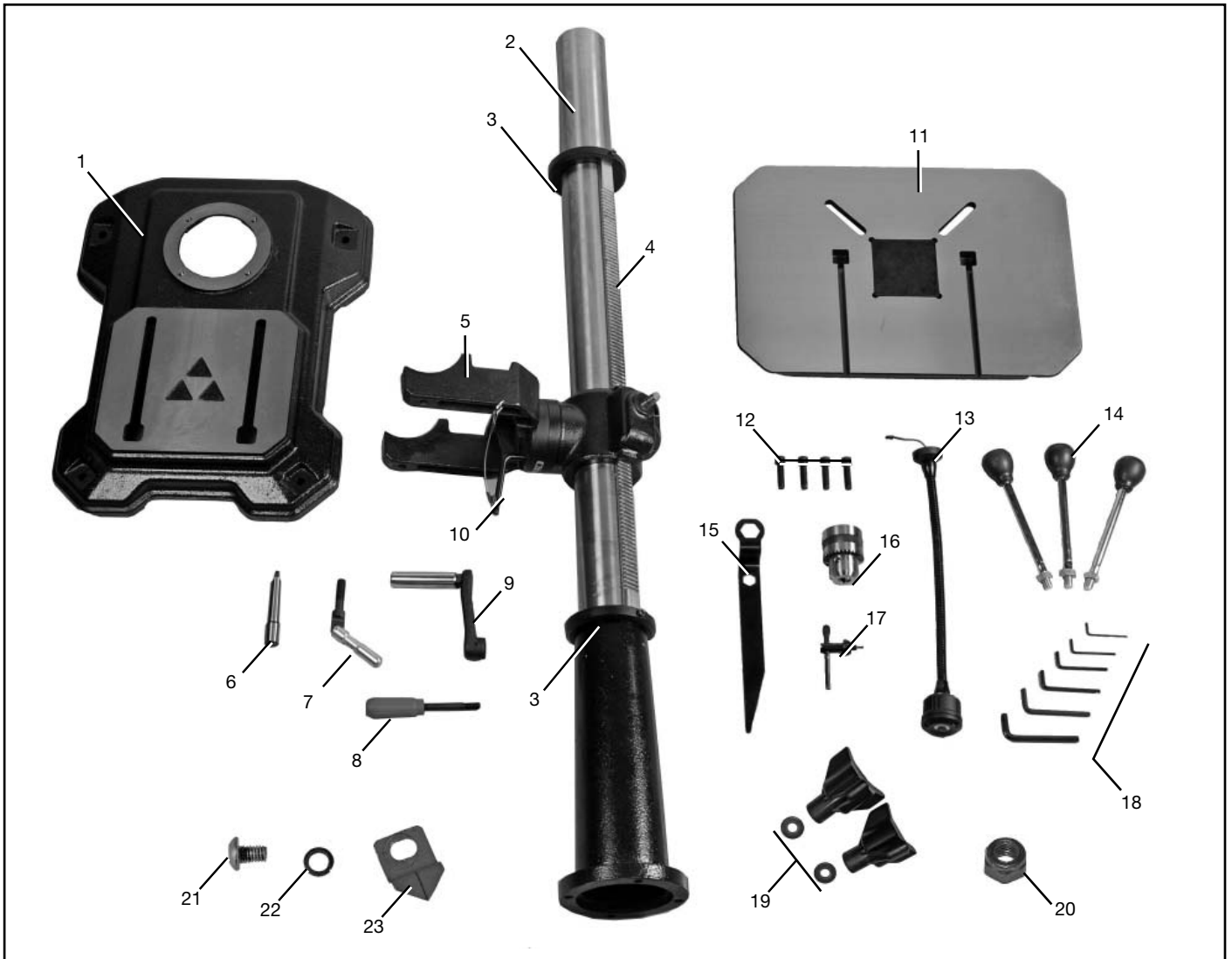
**FUNCTIONAL DESCRIPTION**

**FOREWORD**

Delta Model 18-900L 18" (457 mm) Drill Press With Lasers is a heavy-duty machine with a 3/4 HP, 120V induction motor, 5/8" capacity chuck and key, cast iron table, rack and pinion elevation mechanism, an external depth stop and an integrated quill stop. The 18-900L has a tilting table for angle drilling. Side edges and parallel slots are provided for fast workpiece clamping. The laser helps users target the workpiece exactly where the drill bit will enter the material.

**NOTICE:** The manual cover illustrates the current production model. All other illustrations contained in the manual are representative only and may not depict the actual labeling or accessories included. These are intended to illustrate technique only.

# CARTON CONTENTS



1. Base
2. Column
3. (2) Rack collars
4. Rack
5. Table supports
6. Arbor
7. Table Clamp Handle
8. Belt tensioner handle
9. Table Raising and Lowering Handle
10. 0 degree pin
11. Table
12. (4) M10 x 40mm Socket Head Cap Screws
13. LED Light
14. Pinion shaft handles

15. Table adjustment wrench and drift key
  16. Chuck
  17. Chuck key
  18. (6) Hex wrenches
  19. (2) Forward tilt knobs and washers
  20. M6 x 1 Locknut
  21. Button head screw
  22. Lockwasher
  23. Table tilt pointer
- \* Drill press head (not shown)  
 \* Set screw for belt tension level handle (not shown)

## UNPACKING AND CLEANING

Carefully unpack the machine and all loose items from the shipping container(s). Remove the rust-preventative oil from unpainted surfaces using a soft cloth moistened with mineral spirits, paint thinner or denatured alcohol.

**⚠️WARNING:** Do not use highly volatile solvents such as gasoline, naphtha, acetone or lacquer thinner for cleaning your machine.

**⚠️WARNING:** To reduce the risk of injury, always use at least two people when lifting.

After cleaning, cover the unpainted surfaces with a good quality household floor paste wax.

# ASSEMBLY

**⚠ WARNING:** To reduce the risk of injury, turn unit off and disconnect it from power source before installing and removing accessories, before adjusting or when making repairs. An accidental start-up can cause injury.

## ASSEMBLY TOOLS REQUIRED

Hex wrenches (supplied)  
Rubber mallet (not supplied)  
10mm wrench

## ATTACHING DRILL PRESS TO SUPPORTING SURFACE

1. If you plan to use your drill press in a permanent location, you must secure the drill press base to the supporting surface with fasteners (not supplied) through the four mounting holes (A) Fig. 1 in the drill press base.

**NOTE:** To attach the base to the plywood, use the following hardware: (4) M8x1.25x125 mm carriage head screws, (8) M8 flat washers, (4) M8 lockwashers, and (4) M8x1.25 hex nuts.

**⚠ WARNING RISK OF UNSAFE OPERATION.** If your drill press is not permanently fastened to the floor it may be mounted to a plywood board to improve stability and prevent tipping.

**⚠ WARNING RISK OF UNSAFE OPERATION.** Use a good grade of plywood with a minimum 3/4" (19 mm) thickness. Do not make the mounting board from particle board since particle board breaks easily.

2. Use a plywood board base with the minimum dimensions as shown in Fig. 2 for mounting the drill press base (B) Fig. 1 to a supporting surface.
3. Place the drill press base centered on the plywood (D).

**⚠ WARNING RISK OF UNSAFE OPERATION.** Make sure that the plywood extends a minimum of 3" (76.2 mm) on all four sides of the base.

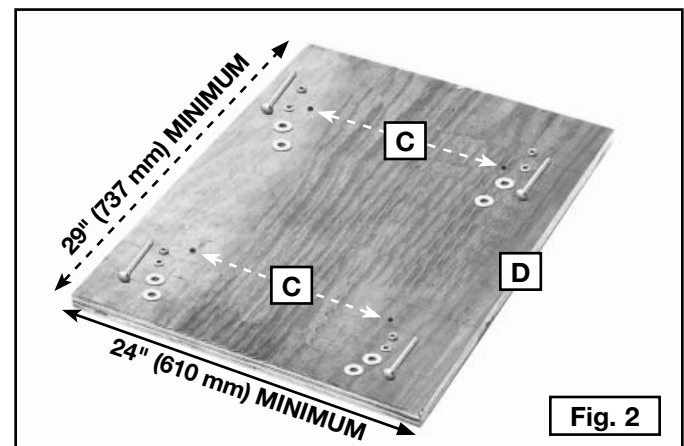
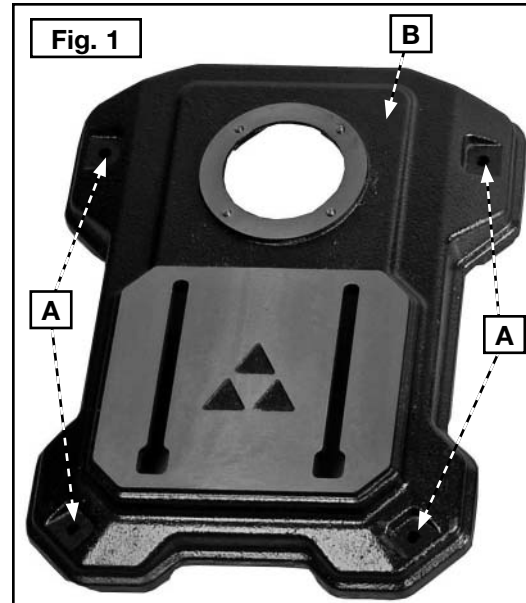
4. Mark four holes (C) Fig. 2 through the holes (A) Fig. 1 in the drill press base. Then drill 3/8" (9.5 mm) diameter holes at these locations into the supporting surface (D) Fig. 2.

**NOTE:** Place a piece of scrap wood underneath the supporting plywood surface when drilling the through holes so that the drill bit will not damage the material beneath the plywood supporting surface.

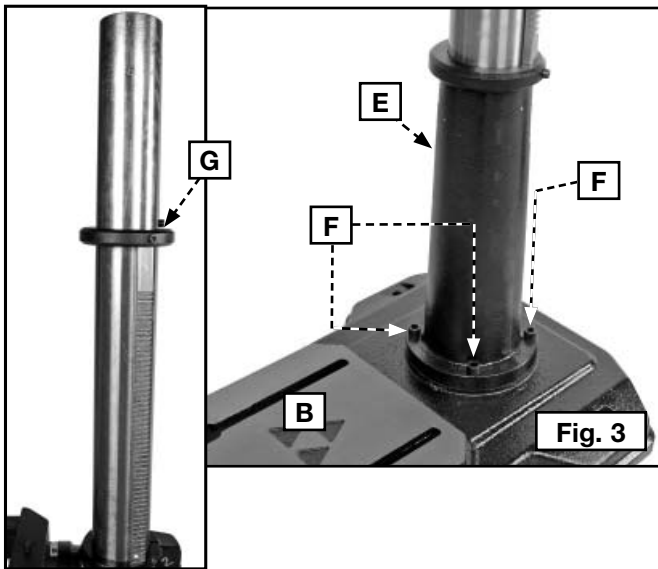
5. Fasten the drill press base to the mounting plywood board using the carriage bolts, flat washers, lockwashers, and hex nuts described above (not supplied). Countersink the holes for the carriage bolt heads and flat washers under the board so that the bolt heads are flush with or below the bottom surface of the board after you insert them up through the holes below the supporting surface. Use a flat washer, lock washer and hex nut above the drill press base to fasten the screws.

## ASSEMBLY TIME ESTIMATE

Assembly for this machine takes approximately 30 minutes to 1 hour.







### ASSEMBLING DRILL PRESS PARTS

**⚠ WARNING RISK OF UNSAFE OPERATION.** If your drill press is not permanently fastened to the floor it may be mounted to a plywood board to improve stability and prevent tipping.

**⚠ WARNING:** To reduce the risk of injury, turn unit off and disconnect it from power source before installing and removing accessories, before adjusting or when making repairs. An accidental start-up can cause injury.

1. Attach the column (E) Fig. 3 to the base (B) using the four M10 x 40 mm socket head cap screws (F), three of which are shown.

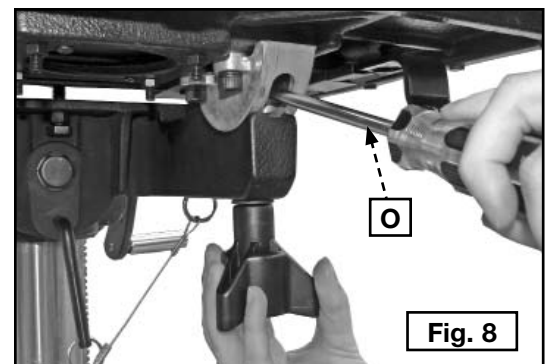
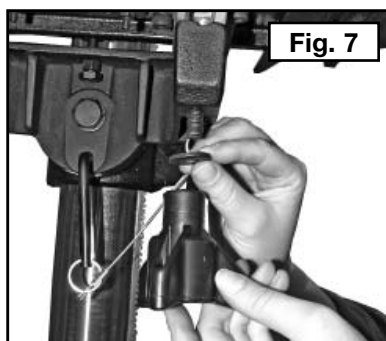
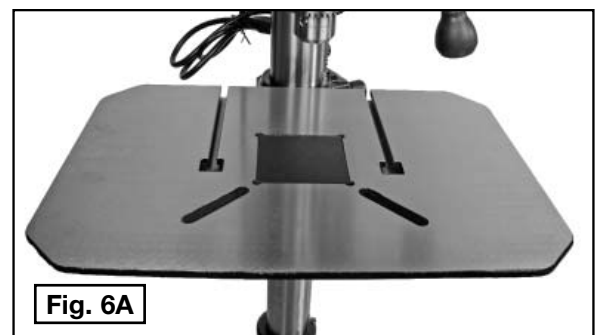
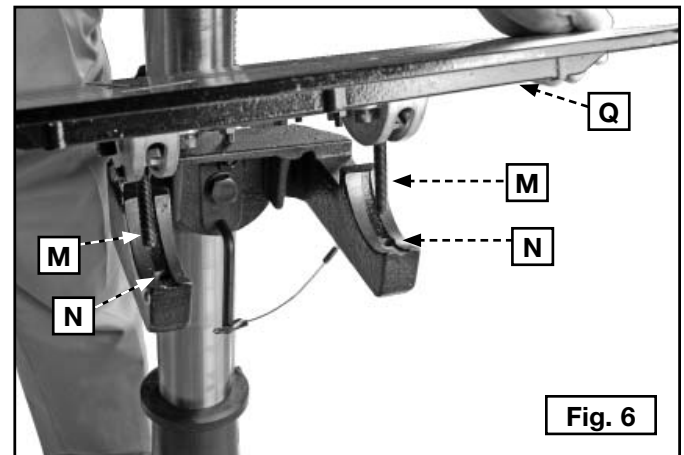
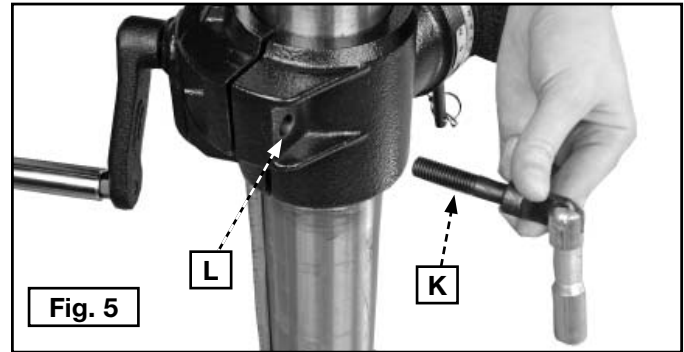
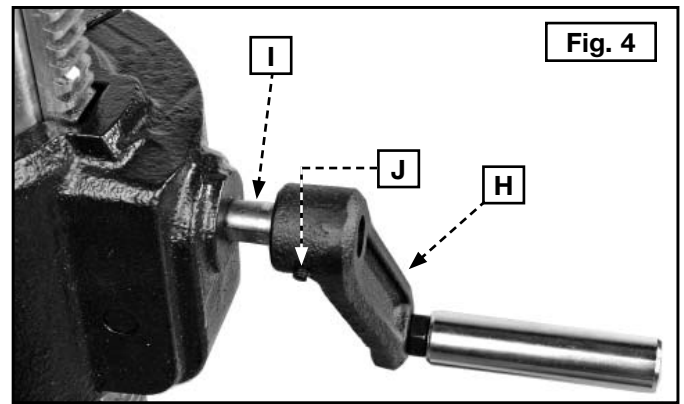
**NOTE:** Make sure screw (G) (Fig. 3 inset) is oriented to the back of the drill press.

2. Attach the table raising and lowering handle (H) Fig. 4 to the worm gear shaft (I). Tighten the set screw (J) against the flat on the shaft with the 3 mm hex wrench supplied.
3. Thread the table clamp handle (K) Fig. 5 in the hole (L) in rear of table bracket and secure tightly.
4. Align the bolts (M) Fig. 6 on the table (Q) with the holes in the table support (N) and set the table on the table supports.

**NOTE:** Be sure to properly orient your drill press table to the column as shown in Fig. 6A.

5. Install the washers and forward tilt knobs as shown in Fig. 7. Tighten securely.

**NOTE:** The bolts in the trunnion are moveable. To install knobs more easily, insert a flathead screwdriver (O) Fig. 8 in the opening of the trunnion against the bolts to steady them.



## ASSEMBLING HEADSTOCK TO COLUMN AND BASE

To assemble the headstock to the column:

1. Place the drill press head (P) Fig. 9 on the column as far as it will go.

**NOTE:** Be sure the head-locking screws (R) are do not block the drill press head from fully seating on the column.

**⚠ WARNING:** To reduce the risk of injury, always use at least two people when lifting.

2. Align the head (P) Fig. 10 with the table (Q) and the base (B).
3. Tighten the two head-locking screws (R) Fig. 9 with the 5 mm hex wrench supplied.

## INSTALLING THE CHUCK

**⚠ WARNING:** To reduce the risk of injury, turn unit off and disconnect it from power source before installing and removing accessories, before adjusting or when making repairs. An accidental start-up can cause injury.

**IMPORTANT:** Make certain that the tapered hole in the bottom of spindle (U) Fig. 11, and the taper on the spindle adapter (V) are clean and free of grease, lacquer or rust-preventive coatings.

**NOTE:** Remove the rust-preventative oil from the chuck using a soft cloth moistened with mineral spirits, paint thinner or denatured alcohol.

Push the spindle adapter (V) Fig. 11 into the spindle (U), making certain that the tang (W) engages the mating slot inside the spindle (U).

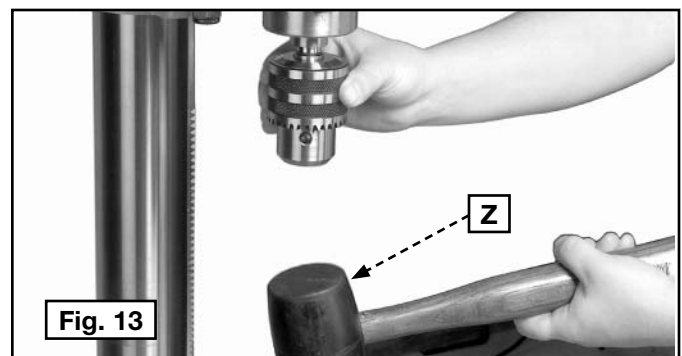
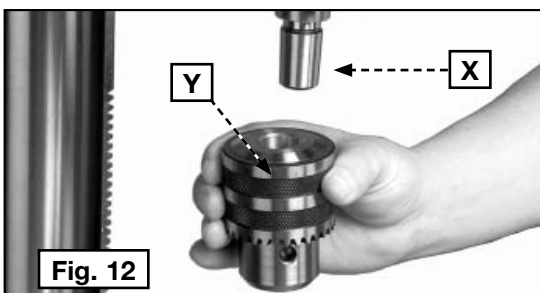
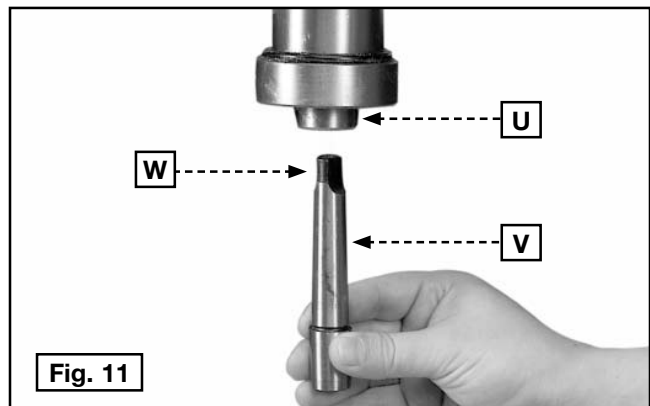
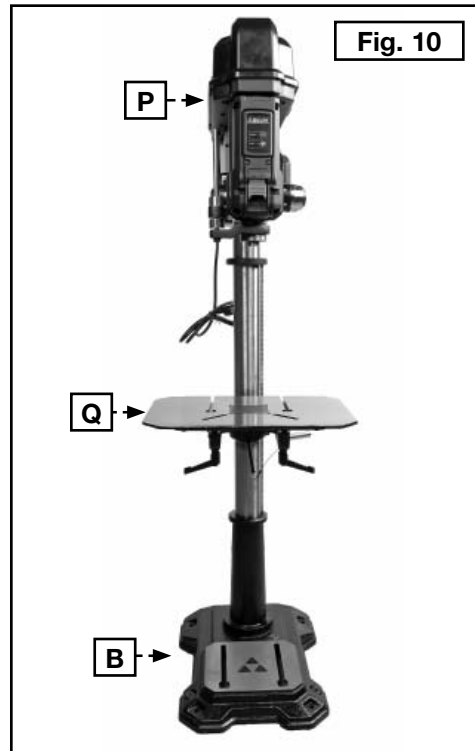
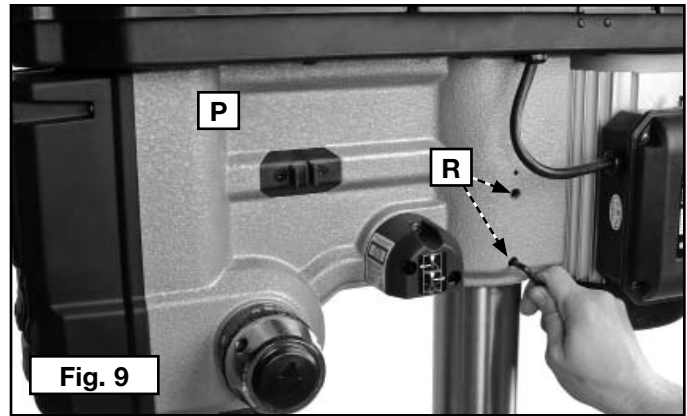
**NOTICE:** RISK OF PROPERTY DAMAGE. To avoid damage to the laser, prevent the cleaning solution from coming in contact with the laser pod. You can clean the laser pod with a dry cotton cloth.

**IMPORTANT:** Make certain the spindle taper (X) Fig. 12, and tapered hole in chuck (Y) are clean and free of any grease, lacquer or rust preventive coatings.

**NOTE:** Remove the rust-preventative oil from the chuck using a soft cloth moistened with mineral spirits, paint thinner or denatured alcohol.

**IMPORTANT:** Rotate the chuck until the chuck jaws are fully retracted inside the chuck. Hold the chuck on the taper of the spindle. Tap it with a soft-tip hammer (Z) Fig. 13 or a block of wood and hammer to set the chuck.

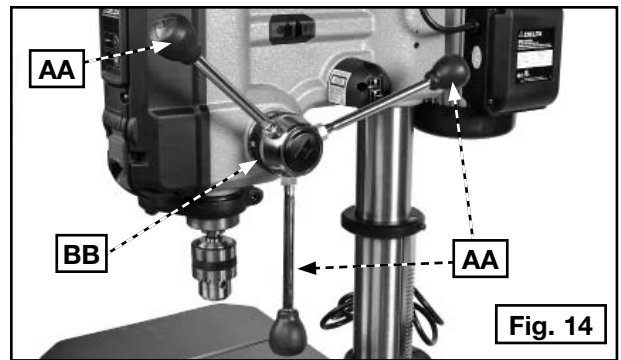
**NOTICE:** RISK OF PROPERTY DAMAGE. To avoid damage to the chuck, NEVER drive the chuck on the spindle with a metal hammer.



## ATTACHING THE PINION SHAFT HANDLES

**⚠ WARNING:** To reduce the risk of injury, turn unit off and disconnect it from power source before installing and removing accessories, before adjusting or when making repairs. An accidental start-up can cause injury.

Thread the three pinion shaft handles (AA) in the three holes located in the pinion shaft hub (BB) Fig. 14.



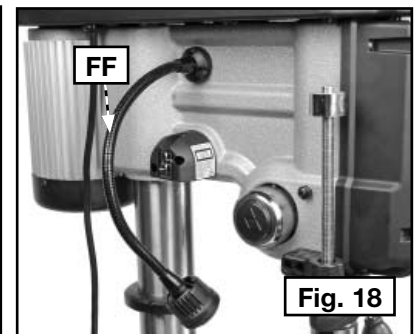
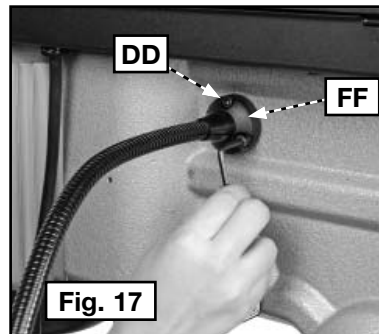
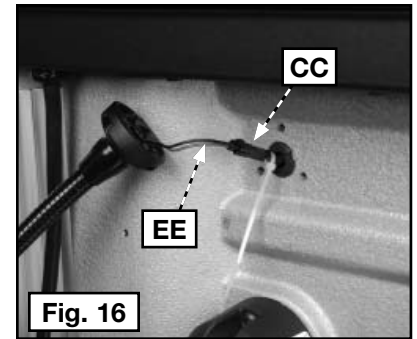
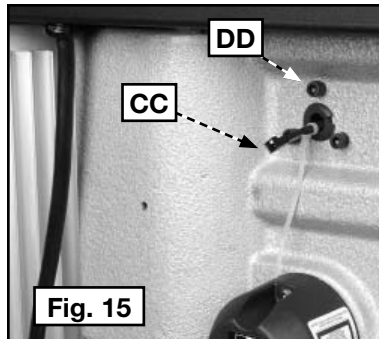
## ATTACHING THE LED WORK LIGHT

**⚠ WARNING:** To reduce the risk of injury, turn unit off and disconnect it from power source before installing and removing accessories, before adjusting or when making repairs. An accidental start-up can cause injury.

The included LED work light is to be attached to the side of the headstock at wire (CC) Fig. 15.

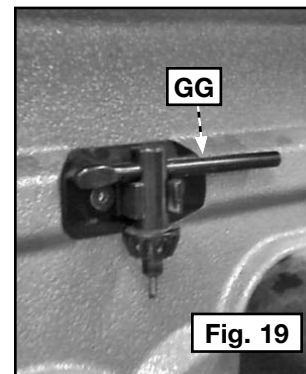
**NOTE:** Prior to connection, be careful not to push wire (CC) into headstock as it is difficult to retrieve.

1. Remove three 6 mm screws (one shown at DD) Fig. 15.
2. Connect the two wires — (CC) from the headstock and (EE) from the LED worklight — as shown in Fig. 16.
3. Remove plastic cable tie.
4. Push excess wire into the headstock.
5. Attach the LED work light (FF) Fig. 17 to the headstock using three screws removed earlier. One is shown at (DD).
6. Final assembly of LED worklight (FF) looks like Figure 18.



## CHUCK KEY STORAGE

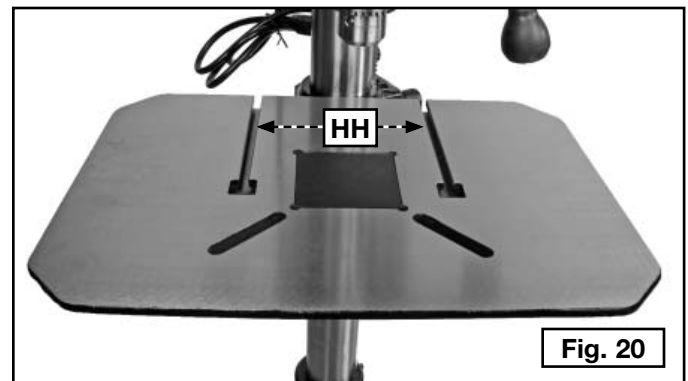
Storage for your included chuck key (GG) is built into the right side of the drill press head stock. Press chuck key into the holder as shown in Figure 19.



## T-SLOTS

The drill press table is fitted with two T-slots (HH) Fig. 20 for use with various drill press accessories (stop blocks, fences, or clamps). Use 5/16" T-bolts or 1/4-20 hex head bolts when attaching your accessory to the table.

**⚠ WARNING:** Since accessories other than those offered by DELTA have not been tested with this product, use of such accessories could be hazardous. For safest operation, only DELTA recommended accessories should be used with this product.



## TABLE LOCKING WRENCH STORAGE

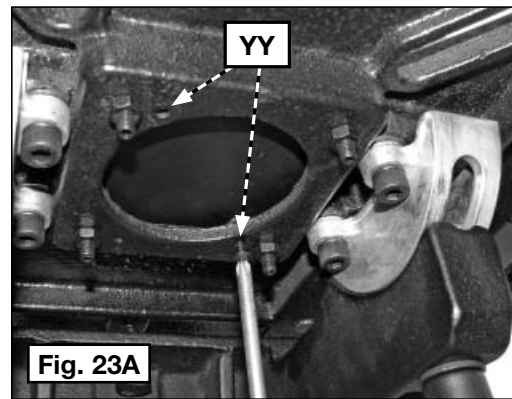
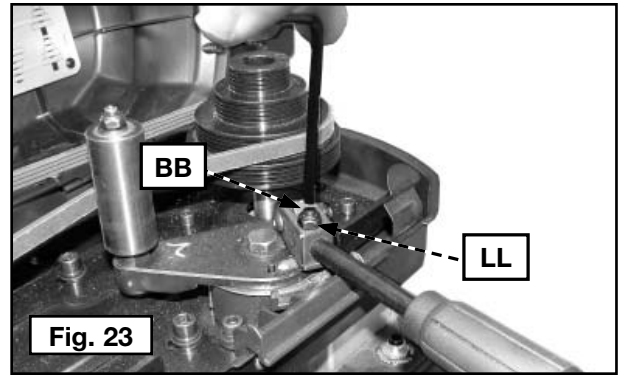
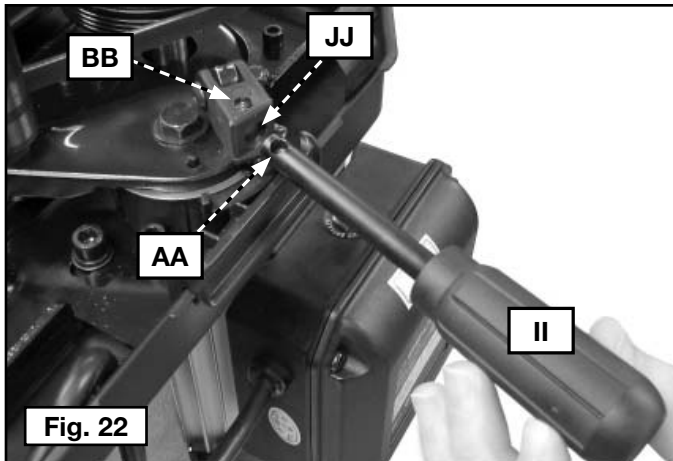
The table locking wrench can be stored underneath the table as shown in Fig. 21.

## BELT TENSION LEVER HANDLE

To attach the belt tension lever handle (II) Fig. 22, place it in hole (JJ) with the hole (AA) up, as shown.

Align set screw (BB) with hole (AA) Fig. 22 and tighten screw down into hole firmly with included hex wrench as shown in Fig. 23.

Place M6 x 1 locknut (LL) Fig. 23 on set screw (BB). Firmly tighten locknut (LL) with a 10 mm wrench.



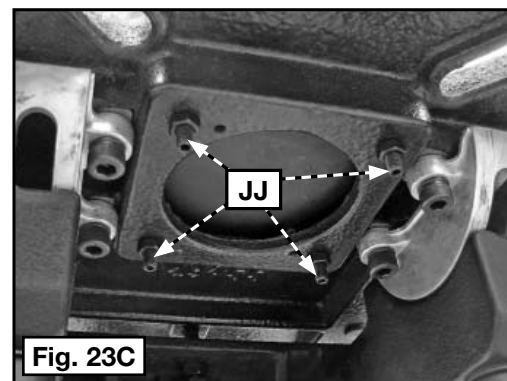
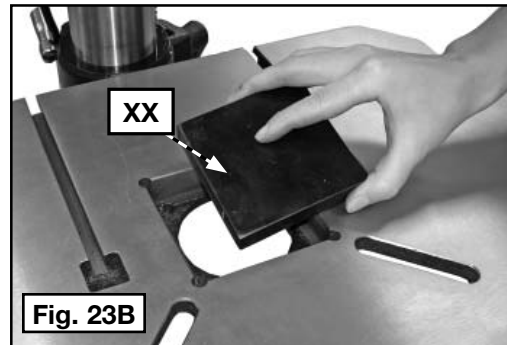
## TABLE INSERT

The drill press table comes with an insert (XX) Fig. 23B made of MDF to help prevent wear and tear on the bit when it drills down through the workpiece.

Over time, it will become necessary to replace this piece. It can be made from 3/4" thick MDF cut into a 3-3/4" square.

To replace the old insert :

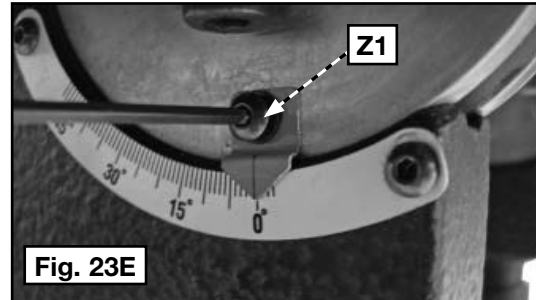
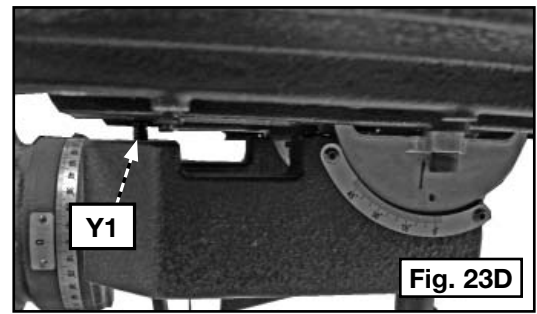
1. Remove two screws from holes (YY) Fig. 23A that hold insert in place.
2. Remove old insert and place your new insert into the table (Fig. 23B).
3. If the insert is not level with the table, adjust the four jack screws (JJ) Fig. 23C. When the table insert is level, tighten the locking nut on each screw.
4. Hold down on the insert and secure it in place with the 2 screws that were removed in Step 1. Insert screws in holes (YY) Fig. 23A and secure insert in place.



## TABLE TILT POINTER

Lock the forward tilt knobs with the table firmly against the set screw (Y1) Fig. 23D.

Place the lockwasher under the screw head (Z1) Fig. 23E and then the pointer. Align the indicator line on the pointer with 0° mark on the scale and tighten securely with supplied hex wrench.



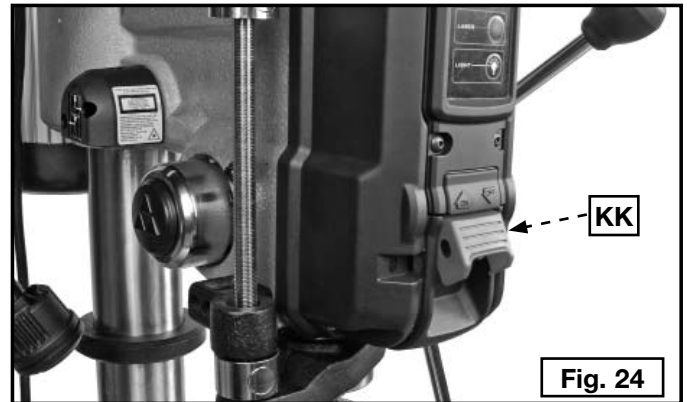
## OPERATION

### OPERATIONAL CONTROLS AND ADJUSTMENTS

#### STARTING AND STOPPING 18-900L

**▲WARNING:** To reduce the risk of injury, make sure that the ON/OFF switch is in the "OFF" position before plugging cord into outlet. Do not touch the plug's metal prongs when unplugging or plugging in the cord.

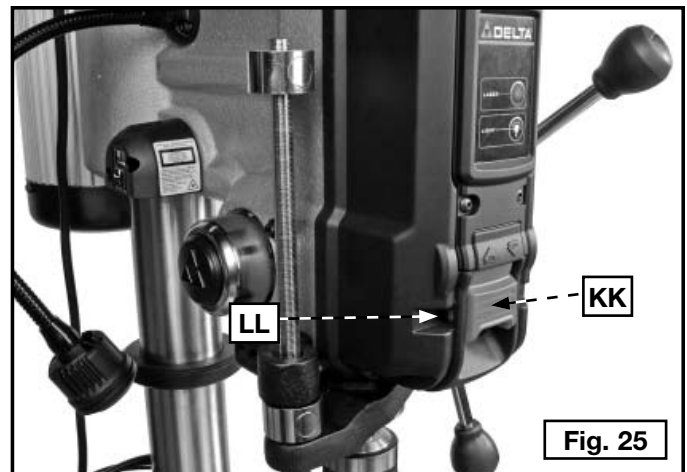
To turn drill press on, lift switch paddle (KK) Fig. 24 up to the "ON" position. To turn drill press off, push switch paddle (KK) Fig. 25 down to the "OFF" position, as shown.



#### LOCKING SWITCH IN THE "OFF" POSITION

**▲WARNING:** To reduce the risk of injury, in the event of a power outage (such as a breaker or fuse trip), always move the switch to the "OFF" position until the main power is restored.

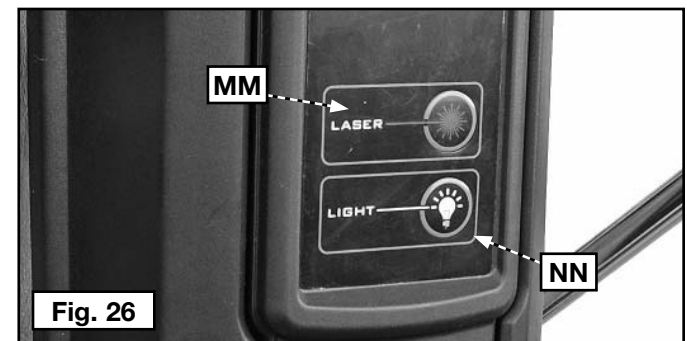
**IMPORTANT:** When the machine is not in use, the switch should be locked in the "OFF" position to prevent unauthorized use, using a padlock through holes at (LL) Fig. 25. The minimum shackle diameter should be 1/5" (5 mm) and minimum shackle length should be 7/8" (22.2 mm).



#### TURNING ON WORK LIGHT AND LASERS

Push "LASER" button (MM) Fig. 26 to turn on or turn off the crosshair lasers.

Push "LIGHT" button (NN) Fig. 26 to turn on or turn off the LED work light.



## TABLE ADJUSTMENTS

**⚠ WARNING:** To reduce the risk of injury, turn unit off and disconnect it from power source before installing and removing accessories, before adjusting or when making repairs. An accidental start-up can cause injury.

**⚠ CAUTION RISK OF PERSONAL INJURY.** Make sure that nothing is on the table and that the workpiece is clamped down. Falling objects can cause an injury.

### ***Tilting table back to front from zero (0) to 45 degrees***

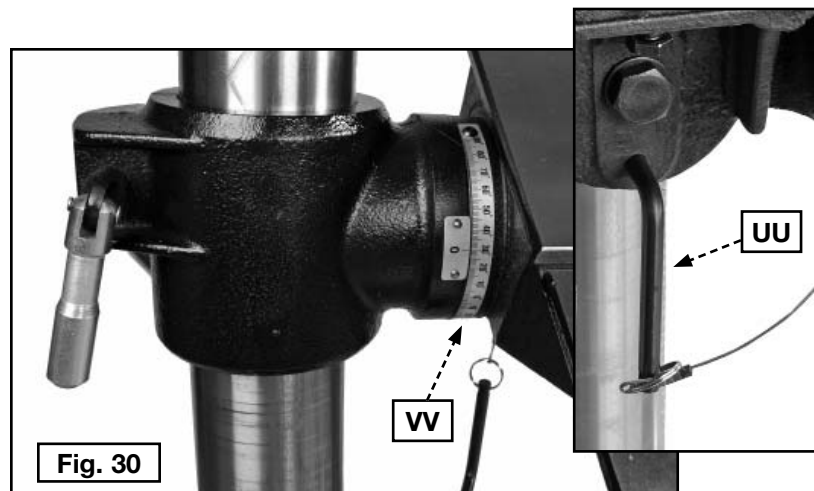
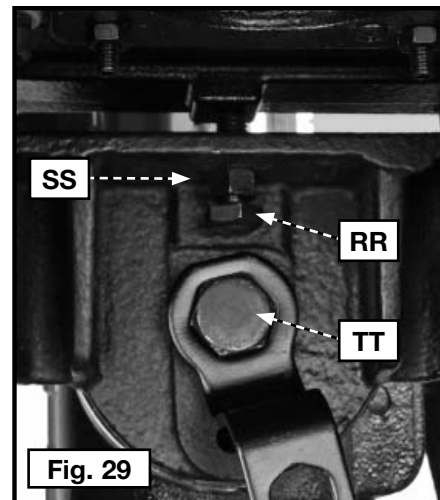
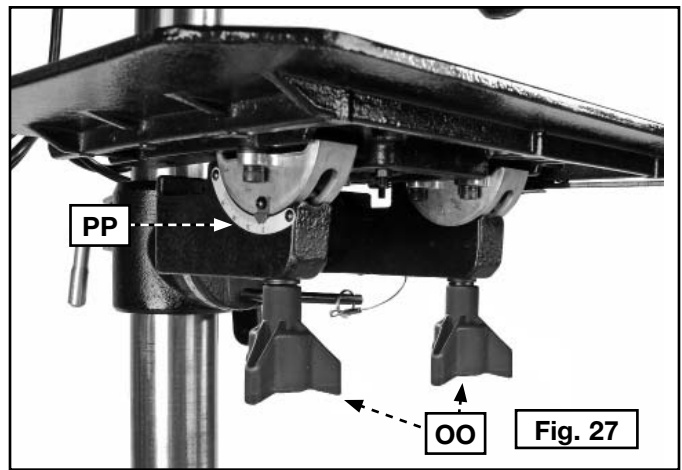
To adjust:

1. Loosen the two forward tilt knobs (OO) Fig. 27.
2. Adjust the table to your desired angle. The scale (PP) Fig. 27 is located on the side of the table support.
3. Tighten the knobs (OO) Fig. 27.
4. A positive stop screw (QQ) Fig. 28 is provided to return the table to the zero position. Adjust this stop by turning the hex head of the stop screw (RR) Fig. 29 from under the table. Tighten the locknut (SS) Fig. 29 to secure the stop.

### ***Tilting table right to left from zero (0) to 90 degrees***

An index pin is included for the 0 degree position of the table. To adjust:

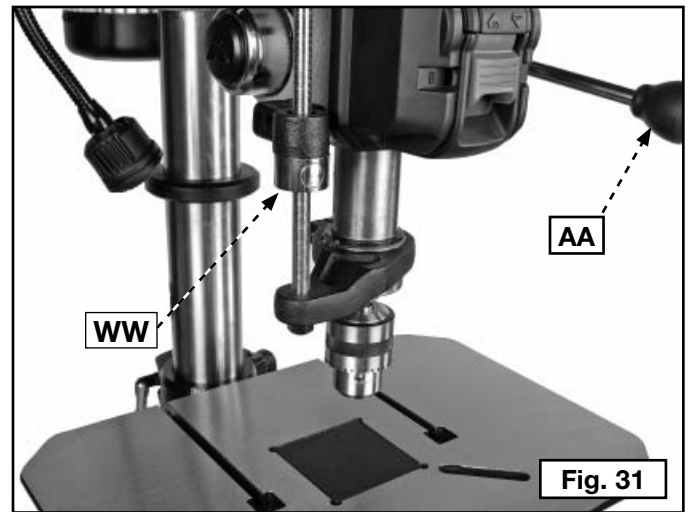
1. Loosen the table bolt (TT) Fig. 29 approximately 1/4 turn with the supplied table locking wrench (Fig. 29).
2. Pull out the index pin (UU) Fig. 30 (inset).
3. Rotate the table to your desired angle. The tilt scale (VV) Fig. 30 is located on the knuckle behind the table. Use this scale for accuracy.
4. Tighten the table bolt (TT) Fig. 29.
5. When you return the table to zero, re-insert the index pin (UU) Fig. 30 (inset).



## RAISING AND LOWERING THE SPINDLE

**⚠ WARNING:** To reduce the risk of injury, turn unit off and disconnect it from power source before installing and removing accessories, before adjusting or when making repairs. An accidental start-up can cause injury.

Raise and lower the spindle with the pinion handles (AA) Fig. 31. You can lock the quill at any point in its travel by positioning locking nut (WW) against the stop. To position nut, push the button in and slide it along the threaded rod.



## ADJUSTING THE SPINDLE RETURN SPRING

The spindle will automatically return slowly to its upper position when the handle is released. However, to adjust, if necessary:

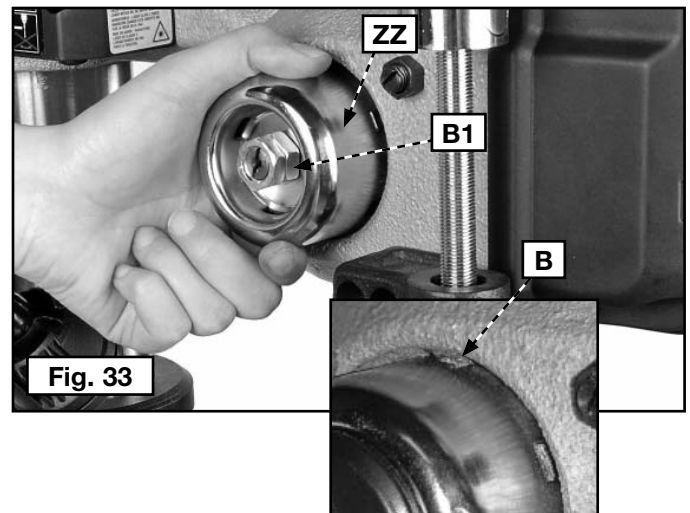
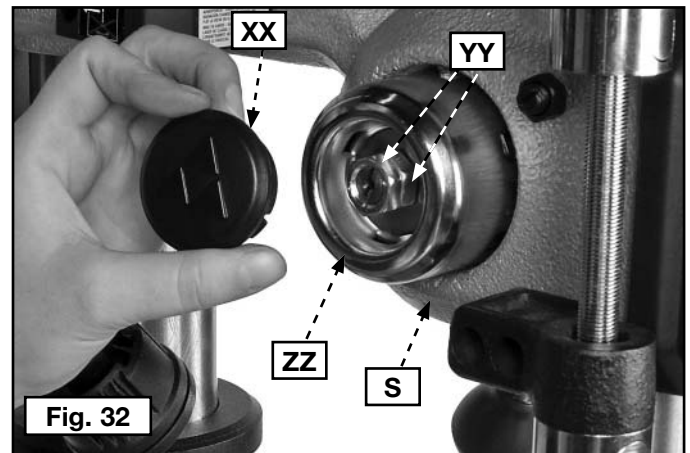
**⚠ WARNING:** To reduce the risk of injury, turn unit off and disconnect it from power source before installing and removing accessories, before adjusting or when making repairs. An accidental start-up can cause injury.

1. Remove plastic cap (XX) Fig. 32.
2. Loosen nuts (YY) but do not remove. Make sure that the spring housing (ZZ) remains engaged with head casting (S).
3. While firmly holding the spring housing (Fig. 33), pull out the housing and rotate it (counter-clockwise to increase or clockwise to decrease) until you feel the boss (B) engaged with the next notch on the housing. Tighten the two nuts (YY) Fig. 32 to hold the housing in place.

**IMPORTANT:** The inside nut (B1) Fig. 33 should not contact the spring housing (ZZ) Fig. 33.

4. Replace plastic cap.

**⚠ WARNING: PERSONAL INJURY HAZARD.** Be careful not to release the spring housing while adjusting the spring tension as it may rotate rapidly from the spring tension.



## CHECKING LASER ADJUSTMENT

**⚠ WARNING:** To reduce the risk of injury, turn unit off and disconnect it from power source before installing and removing accessories, before adjusting or when making repairs. An accidental start-up can cause injury.

**⚠ WARNING:** LASER LIGHT. Do not stare into the beam, aperture, or into a reflection from a mirror-like surface.

Laser alignment is preset at the factory. If needed, the alignment can be adjusted by following the steps below:

**To check if the lasers are perpendicular to the table, do this:**

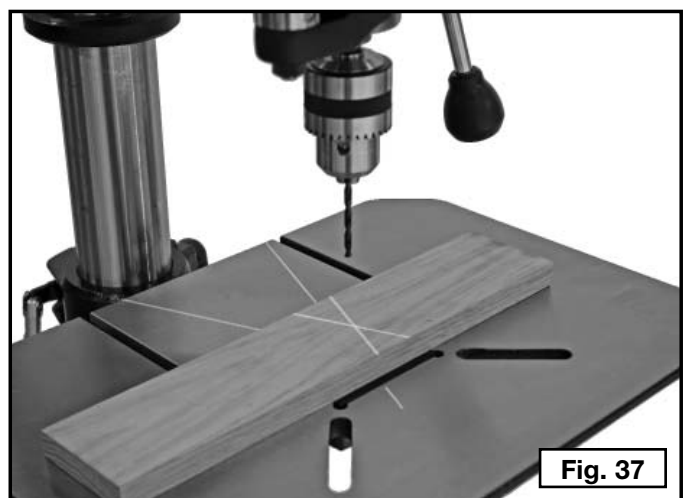
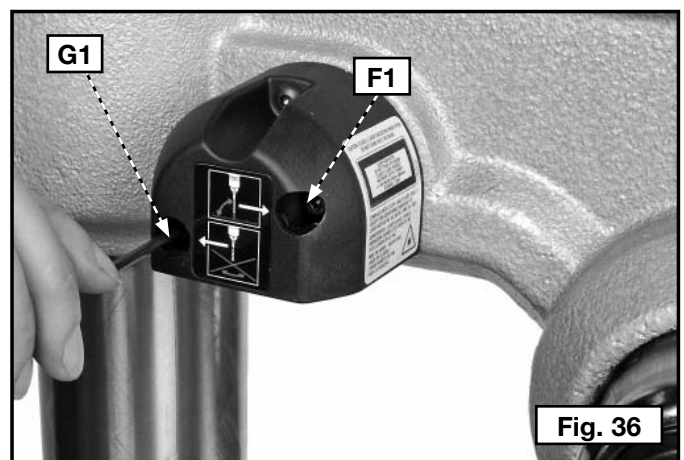
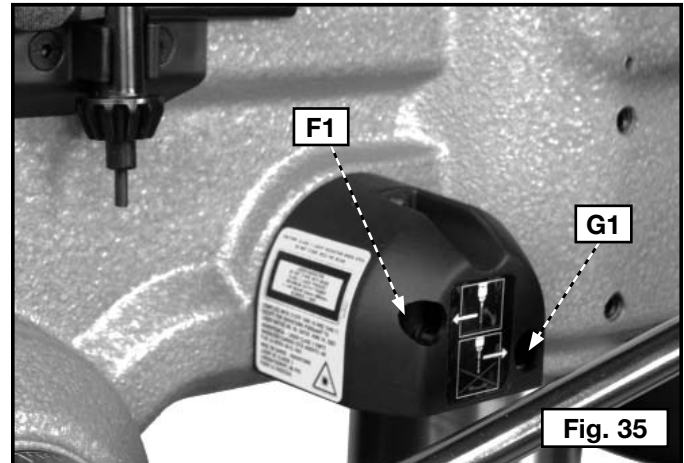
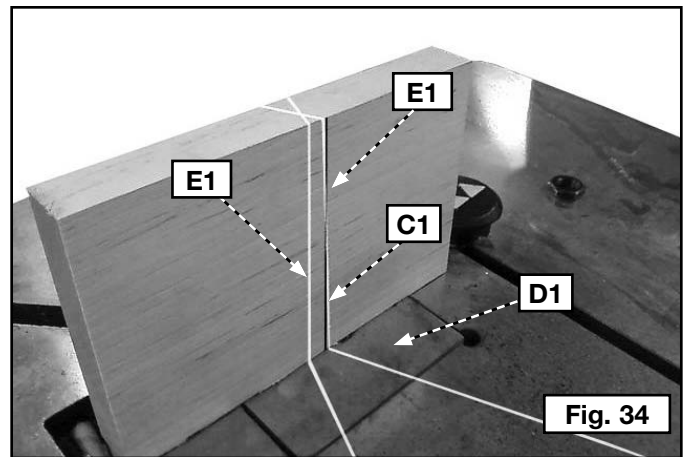
1. Using a carpenter's square or similar device, draw a straight line (C1) Fig. 34 on a scrap board.
2. Place board on its edge as shown in Fig. 34 with line facing back of drill press. Make sure the board is placed over the middle of the table insert (D1) Fig. 34, as shown.
3. Turn laser on so the red lines are shining on board as shown. Check to see if both red lines (E1) Fig. 34 are parallel with the line (C1) you drew.

**If they are not:**

1. Using an included hex key, turn the front screw (F1) Fig. 35 on the right laser pod so that its red line is parallel with the line you drew on the board.
2. Repeat this step for the left laser pod and its line using its front screw (F1) Fig. 36.

**To check to see if the lasers intersect at the drill point:**

1. Lay board flat on table (as shown in Fig. 37) and make sure it does not move.
2. Using a small drill bit with the machine off, lower the drill bit and make an impression in the board.
3. For both lasers, use the same hex key in the the back screw (G1) (Fig. 35 and 36) and dial the lasers so they both cross this point together, as shown in Figure 37.





# SPINDLE SPEEDS

Sixteen spindle speeds are available on the drill press. Fig. 38 illustrates the belt positions and the corresponding speeds.

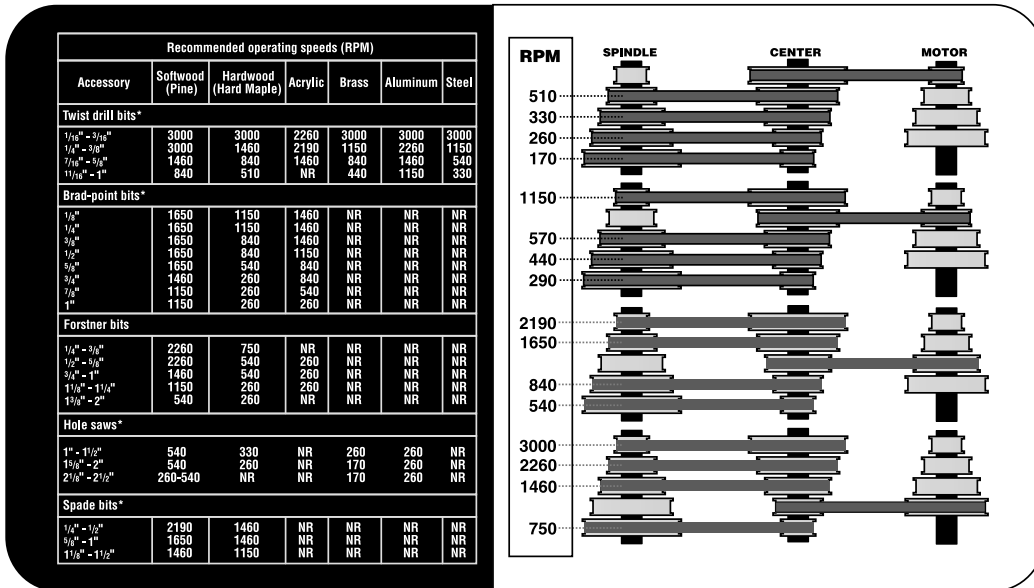


Fig. 38

Also, the chart suggests shows what speeds to use with certain materials and bit sizes. Recommended operating speeds are in RPMs.

ACCESSORY	MATERIAL					
	SOFT WOOD	HARD WOOD	ACRYLIC	BRASS	ALUMINUM	STEEL
<b>TWIST DRILL BITS</b>						
1/16"-3/16" (1.5-5 mm)	3000	3000	2260	3000	3000	3000
1/4"-3/8" (6.4-9.5 mm)	3000	1460	2190	1150	2260	1150
7/16"-5/8" (11-16 mm)	1460	840	1460	840	1460	540
11/16"-1" (17-25.4 mm)	840	510	NR	440	1150	330
<b>BRAD-POINT BITS</b>						
1/8" (3.18 mm)	1650	1150	1460	NR	NR	NR
1/4" (6.4 mm)	1650	1150	1460	NR	NR	NR
3/8" (9.5 mm)	1650	840	1460	NR	NR	NR
1/2" (12.7 mm)	1650	840	1150	NR	NR	NR
5/8" (15.9 mm)	1650	540	840	NR	NR	NR
3/4" (19 mm)	1460	260	840	NR	NR	NR
7/8" (22.2 mm)	1150	260	540	NR	NR	NR
1" (25.4 mm)	1150	260	260	NR	NR	NR
<b>FORSTNER BITS</b>						
1/4"-3/8" (6.4-9.5 mm)	2260	750	NR	NR	NR	NR
1/2"-5/8" (12.7-15.9 mm)	2260	540	260	NR	NR	NR
3/4"-1" (19-25.4 mm)	1460	540	260	NR	NR	NR
1-1/8"-1-1/4" (28.6-31.8 mm)	1150	260	260	NR	NR	NR
1-3/8"-2" (35-50.8 mm)	540	260	NR	NR	NR	NR
<b>HOLE SAWS</b>						
1"-1-1/2" (25.4-38.1 mm)	540	330	NR	260	260	NR
1-5/8"-2" (41.3-50.8 mm)	540	260	NR	170	260	NR
2-1/8"-2-1/2" (54-63.5 mm)	260-540	NR	NR	170	260	NR
<b>SPADE BITS</b>						
1/4"-1/2" (6.4-12.7 mm)	2190	1460	NR	NR	NR	NR
5/8"-1" (15.9-25.4 mm)	1650	1460	NR	NR	NR	NR
1-1/8"-1-1/2" (35-38.1 mm)	1460	1150	NR	NR	NR	NR

NR - NON RECOMMANDÉ / NO RECOMENDADO

## CHANGING SPEEDS AND ADJUSTING BELT TENSION

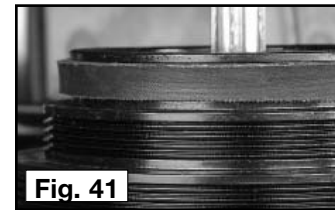
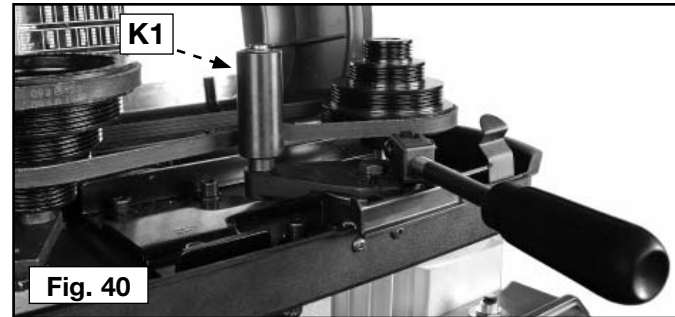
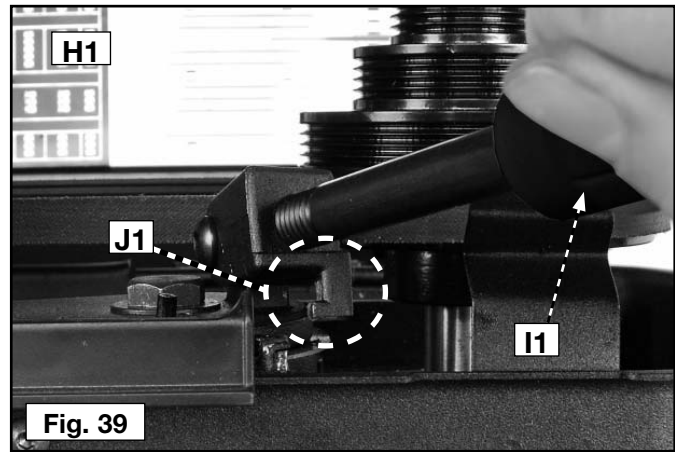
**⚠ WARNING:** To reduce the risk of injury, turn unit off and disconnect it from power source before installing and removing accessories, before adjusting or when making repairs. An accidental start-up can cause injury.

**NOTE:** Sixteen spindle speeds are available on the drill press. A belt-positioning speed chart is located on the inside top cover of the drill press.

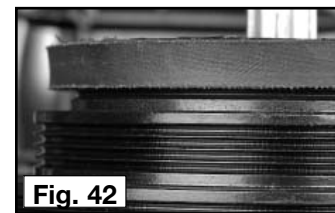
1. Lift cover (H1) Fig. 39.
2. Move belt tension lever handle (I1) Fig. 39 up and to the right and engage the hook (J1) Fig. 39 (inset) to hold the tensioner arm in place.
3. Choose the appropriate speed for the tool you are using and position the belts on the pulleys accordingly. See chart (Fig. 38) on the inside cover of the drill press head.
4. **NOTE:** The belts are ribbed with grooves, so make sure the belt grooves match up with the pulley grooves.
5. Lift handle and move to left (as shown in Fig. 40) until the belt tensioner arm (K1) rests against the belts.

**NOTE:** Don't force the handle any further to the left. It is set with the proper tension for the belts.

**NOTE:** Fig. 41 shows the proper seating for the top belt, with the small bit of metal showing above the black belt. Fig. 42 shows improper seating for the top belt with no metal showing above the black belt.



**CORRECT**



**INCORRECT**

## DRILLING HOLES TO DEPTH

**⚠ WARNING:** To reduce the risk of injury, turn unit off and disconnect it from power source before installing and removing accessories, before adjusting or when making repairs. An accidental start-up can cause injury.

When you want to drill a number of holes to the same depth, follow this procedure:

### Setting zero

1. Place bit (L1) in chuck Fig. 43.
2. Lower the bit until it touches workpiece (M1) Fig. 43.
3. Raise the quill locking nut (N1) by pressing button and raising it up against the depth stop bracket (O1).
4. Turn scale on the pinion (P1) Fig. 44 to the zero mark.

### Set depth

1. Remove the workpiece and rotate pinion handles to lower quill to desired drilling depth as registered on the scale.
2. Holding the quill at this depth, raise the quill locking nut (N1) Fig. 43 back up against the depth stop bracket.
3. Still holding the spindle, lower the depth stop nut (Q1) Fig. 43 down against depth stop bracket.
4. Lower the quill locking nut (N1) Fig. 43 out of the way.

**⚠ WARNING:** To reduce the risk of injury, tighten all lock handles before starting the machine. Loss of control of the workpiece can cause serious injury.

5. Connect the machine to the power source and drill a test hole to check the adjustment. Readjust, if necessary, by rotating the stop nut (Q1) Fig. 43 for fine adjustment. You do not have to depress the button to rotate the stop nut (Q1).

## MACHINE USE

**NOTE:** Use drill bits with shank diameters of 5/8" or less.

**NOTE:** After installing a drill bit, use the supplied key to tighten all three locations on the chuck.

**⚠ WARNING:** To reduce the risk of injury, tighten all lock handles before starting the machine. Loss of control of the workpiece can cause serious injury.

**⚠ WARNING:** To reduce the risk of injury, properly support long or wide work-pieces. Loss of control of the workpiece can cause severe injury.

**⚠ WARNING:** To reduce the risk of injury, do not place more than 250 pounds (113 kg) of weight on the table.

**⚠ WARNING:** The use of accessories and attachments not recommended by Delta may result in risk of injury.

**IMPORTANT:** When the workpiece (M1) Fig. 45 is long enough, position it on the table with one end against the left side of the column (R1) to prevent the workpiece from rotating. If it is not possible to support the workpiece against the column, clamp the workpiece to the table.

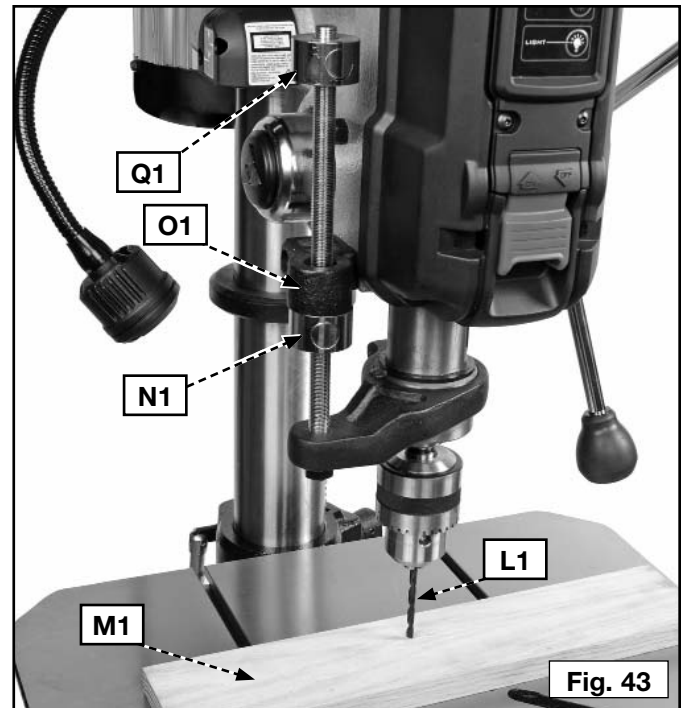


Fig. 43

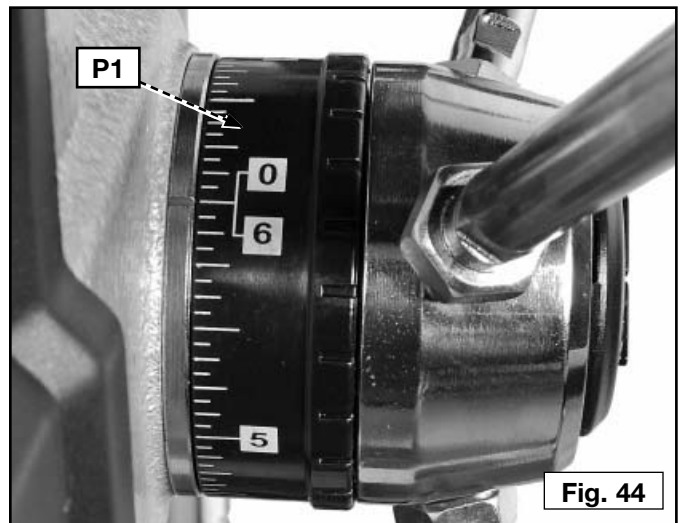


Fig. 44

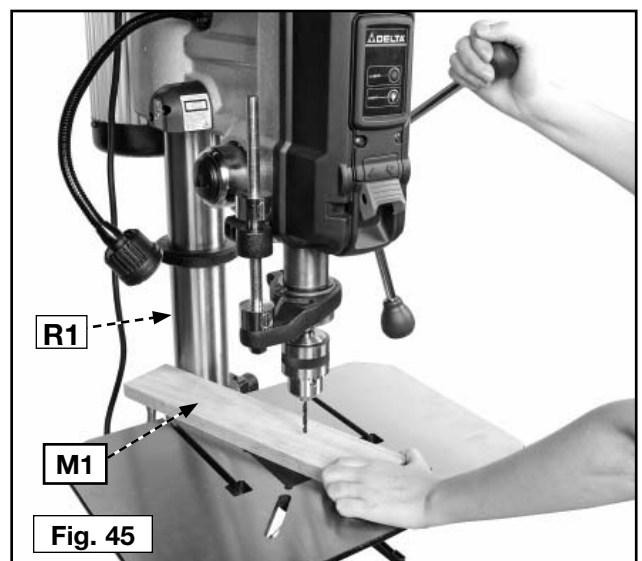


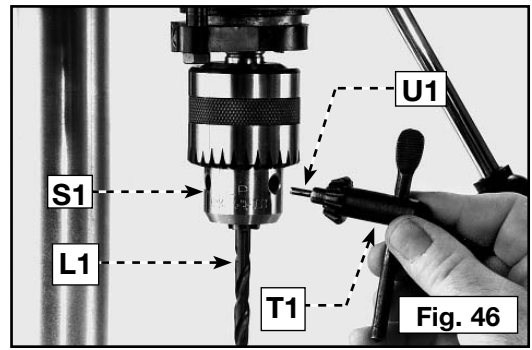
Fig. 45

## INSTALLING AND REMOVING DRILL BITS

**NOTE:** Use drill bits with a shank of 5/8" or less in diameter.

**⚠ WARNING:** To reduce the risk of injury, turn unit off and disconnect it from power source before installing and removing accessories, before adjusting or when making repairs. An accidental start-up can cause injury.

1. Insert the smooth end of drill bit (L1) Fig. 46 in the chuck (S1) as far as it will go, and then back the bit out 1/16" (1.6 mm) (or up to the flutes for small bits).
2. Center the drill bit (L1) Fig. 46 in the chuck (S1) before tightening the chuck with the key (T1).
3. Turn the chuck key (T1) Fig. 46 clockwise to tighten and counter-clockwise to loosen the chuck jaws.
4. Tighten all three chuck jaws to secure the drill bit sufficiently to prevent slipping.
5. Remove the chuck key (T1) Fig. 46 from the chuck before starting the drill press. The chuck key is equipped with a self-ejecting pin (U1) which helps minimize the potential for the key to be left in the chuck.

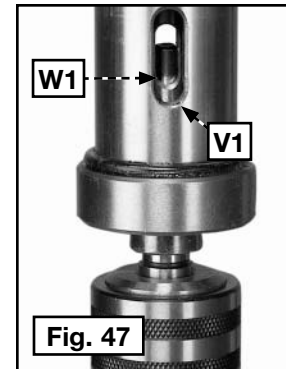


## REMOVING CHUCK AND SPINDLE ADAPTER

**⚠ WARNING:** To reduce the risk of injury, turn unit off and disconnect it from power source before installing and removing accessories, before adjusting or when making repairs. An accidental start-up can cause injury.

The spindle adapter and chuck can be removed for the purpose of using shanks with a #2 morse taper.

1. Align the slot in the quill (V1) Fig. 47 with the slot in the spindle (W1).
2. Insert the drift key (X1) Fig. 48 through the slot in the quill and the slot in the spindle.
3. Tap the drift key (X1) Fig. 48 with a hammer until the the spindle adapter and chuck fall from the quill.



## CORRECT DRILLING SPEEDS

Factors that determine the correct speed are 1) the workpiece, 2) the size of the hole, 3) the type of bit or other cutter, and 4) the quality of cut.

**⚠ WARNING** Use the recommended speed for the the drill press bit and workpiece.

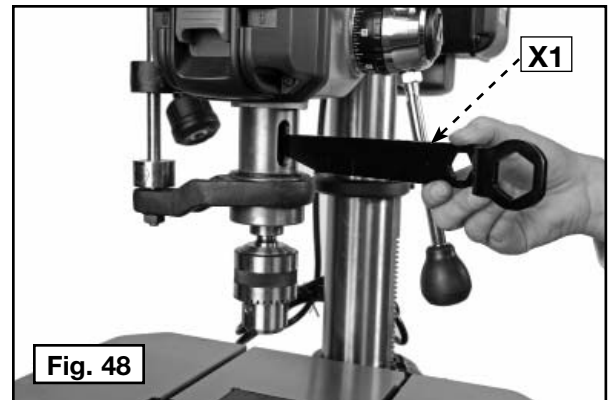
## DRILLING WOOD

**⚠ WARNING:** To reduce the risk of injury, tighten all lock handles before starting the machine. Loss of control of the workpiece can cause serious injury.

Twist drills, usually intended for metal drilling, can also be used for boring holes in wood. However, machine spur bits are generally preferred for working in wood. These bits cut a flat-bottom hole and are designed for removal of wood chips. Do not use hand bits (screw tip). At drill press speeds, they lift and rotate the workpiece.

For through boring, align the workpiece so that the bit will go through the center hole in the table. Scribe a vertical line on the front of the column and a matching mark on the table bracket and the drill press head, so that the table and drill press head can be clamped in the center position at any height.

Feed the drill bit slowly into the workpiece when the bit is close to cutting through the wood to prevent splintering the bottom face. Use a scrap piece of wood as a base block under the work to reduce splintering and protect the point of the bit.



## DRILLING METAL

**⚠ WARNING:** To reduce the risk of injury, tighten all lock handles before starting the machine. Loss of control of the workpiece can cause serious injury.

Use clamps to hold metal workpieces. Never hold the workpiece in your bare hand. The drill bit can seize the work at any time, especially when breaking through the workpiece and cause damage to the machine or injury to you. The drill bit will break if the workpiece strikes the column.

Clamp the workpiece firmly. Any tilting, twisting, or shifting results not only in a rough hole, but also in bit breakage. For flat work, lay the workpiece on a wooden base and clamp it firmly against the table to prevent it from turning. If the workpiece is of irregular shape and cannot lay flat on the table, securely block or clamp it.

## TROUBLESHOOTING

For assistance with your machine, visit our website at [www.deltaportercable.com](http://www.deltaportercable.com) for a list of service centers or call the DELTA Machinery help line at 1-800-223-7278 (In Canada call 1-800-463-3582).

## MAINTENANCE

**⚠ WARNING:** To reduce the risk of injury, turn unit off and disconnect it from power source before installing and removing accessories, before adjusting or when making repairs. An accidental start-up can cause injury.

### KEEP MACHINE CLEAN

Periodically blow out all air passages with dry compressed air. All plastic parts should be cleaned with a soft damp cloth. NEVER use solvents to clean plastic parts. They could possibly dissolve or otherwise damage the material.

**⚠ WARNING:** Wear certified safety equipment for eye, hearing and respiratory protection while using compressed air

### FAILURE TO START

Should your machine fail to start, check to make sure the prongs on the cord plug are making good contact in the outlet. Also, check for blown fuses or open circuit breakers in the line.

### LUBRICATION & RUST PROTECTION

Apply household floor paste wax to the machine table, extension table or other work surface weekly. Or use a commercially available protective product designed for this purpose. Follow the manufacturer's instructions for use and safety.

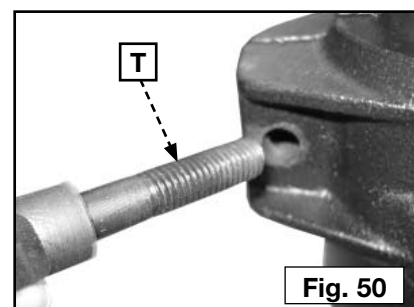
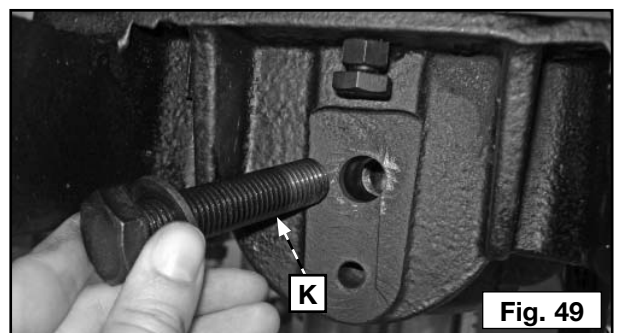
To clean cast iron tables of rust, you will need the following materials: a medium sized scouring pad, a can of spray lubricant and a can of degreaser. Apply the spray lubricant and polish the table surface with the scouring pad. Degrease the table, then apply the protective product as described above.

### INSPECT THE BELTS

Occasionally inspect the belts for wear and replace as needed.

### INSPECT THE BOLTS

Occasionally remove the knuckle clamp bolt (K) Fig. 49 and table clamping bolt (T) Fig. 50 and clean off all dust and other contamination. Also, be sure to clean any dust or contamination from the hole using a small brush (like an old toothbrush).





# LES INSTRUCTIONS IMPORTANTES DE SURETE

**▲ AVERTISSEMENT :** Lire toutes instructions d'avertissements et opération avant d'utiliser n'importe quel outil ou n'importe quel équipement. En utilisant les outils ou l'équipement, les précautions de sûreté fondamentales toujours devraient être suivies pour réduire le risque de blessure personnelle. L'opération déplacée, l'entretien ou la modification d'outils ou d'équipement ont pour résultat la blessure sérieux et les dommages de propriété. Il y a de certaines applications pour lequel outils et l'équipement sont conçus. Ce produit NE devrait être modifié en aucune façon et/ou utilisé pour aucune application autre que celle pour laquelle il a été conçu.



Si vous avez n'importe quelles questions relatives à son application n'utilisent pas le produit jusqu'à ce que vous avez écrit DELTA Machinery et nous vous avons conseillé. La forme en ligne de contact à [www.deltamachinery.com](http://www.deltamachinery.com)  
Courrier Postal: Technical Service Manager, DELTA Machinery, 4825 Highway 45 North, Jackson, TN 38305. Dans Canada, 125 Mural St. Suite 300, Richmond Hill, ON, L4B 1M4.

Information en ce qui concerne l'opération sûre et correcte de cet outil est disponible des sources suivantes:

- Power Tool Institute, 1300 Sumner Avenue, Cleveland, OH 44115-2851 ou en ligne [www.powertoolinstitute.com](http://www.powertoolinstitute.com)
- National Safety Council, 1121 Spring Lake Drive, Itasca, IL 60143-3201
- American National Standards Institute, 25 West 43rd Street, 4 floor, New York, NY 10036 [www.ansi.org](http://www.ansi.org) - ANSI 01.1 Safety Requirements for Woodworking Machines
- U.S. Department of Labor regulations [www.osha.gov](http://www.osha.gov)

**CONSERVER CES DIRECTIVES.**

## MESURES DE SÉCURITÉ - DÉFINITIONS

Ce guide contient des renseignements importants que vous deviez bien saisir. Cette information porte sur VOTRE SÉCURITÉ et sur LA PRÉVENTION DE PROBLÈMES D'ÉQUIPEMENT. Afin de vous aider à identifier cette information, nous avons utilisé les symboles ci-dessous.

**▲ DANGER:**

indique une situation dangereuse imminente qui, si elle n'est pas évitée, **causera la mort ou des blessures graves.**

**▲ AVERTISSEMENT :**

indique une situation potentiellement dangereuse qui, si elle n'est pas évitée, **pourrait se solder par un décès ou des blessures graves.**

**▲ ATTENTION:**

indique une situation potentiellement dangereuse qui, si elle n'est pas évitée **pourrait se solder par des blessures mineures ou modérées.**

**AVIS:**

indique une pratique ne posant **aucun risque de dommages corporels** mais qui par contre, si rien n'est fait pour l'éviter, **pourrait poser des risques de dommages matériels.**

**▲ AVERTISSEMENT :** Les scies, meules, ponceuses, perceuses ou autres outils de construction peuvent produire des poussières contenant des produits chimiques reconnus par l'État californien pour causer cancers, malformations congénitales ou être nocifs au système reproducteur. Parmi ces produits chimiques, on retrouve :

- le plomb dans les peintures à base de plomb ;
- la silice cristallisée dans les briques et le ciment ou autres articles de maçonnerie ; et
- l'arsenic et le chrome dans le bois ayant subi un traitement chimique (ACC).

Le risque associé à de telles expositions varie selon la fréquence à laquelle on effectue ces travaux. Pour réduire toute exposition à ces produits : travailler dans un endroit bien aéré, en utilisant du matériel de sécurité homologué tel un masque antipoussières spécialement conçu pour filtrer les particules microscopiques.

# RÈGLES DE SÉCURITÉ GÉNÉRALES

**▲ AVERTISSEMENT :** L'inobservation de ces règles peut conduire à des blessures graves.

- Pour sa sécurité personnelle, lire la notice d'utilisation, avant de mettre la machine.** En marche, et pour aussi apprendre l'application et les limites de la machine ainsi que les risques qui lui sont particuliers ainsi, les possibilités d'accident et de blessures seront beaucoup réduites.
- Portez des dispositifs de protection des yeux et de l'ouïe. Utilisez toujours des lunettes de sécurité.** Des lunettes ordinaires ne constituent pas des lunettes de sécurité. Utilisez des équipements de sûreté homologués. Les dispositifs de protection des yeux doivent être conformes aux normes ANSI Z87.1. Les dispositifs de protection de l'ouïe doivent être conformes aux normes ANSI S3.19.
- Porter une tenue appropriée.** Pas de cravates, de gants, ni de vêtements amples. Enlever montre, bagues et autres bijoux. Rouler les manches. Les vêtements ou les bijoux qui se trouvent pris dans les pièces mobiles peuvent entraîner des blessures.
- Ne pas utiliser la machine dans un environnement dangereux.** L'utilisation d'outils électriques dans des endroits humides ou sous la pluie peut entraîner des décharges électriques ou une électrocution. Garder la zone de travail bien éclairée pour éviter de trébucher ou d'exposer les doigts, les mains ou les bras à une situation dangereuse.
- Ne pas utiliser d'outils électriques à proximité de liquides inflammables ou dans une atmosphère gazeuse ou explosive.** Les moteurs et interrupteurs des outils pourraient provoquer des étincelles et enflammer des vapeurs.
- Garder les outils et les machines en parfait état.** Garder les outils affûtés et propres afin d'obtenir le meilleur et le plus sûr rendement. Suivre les instructions pour lubrifier et changer les accessoires. Les outils et les machines mal entretenus peuvent se dégrader davantage, et/ou entraîner des blessures.
- Inspecter les pièces pour déceler tout dommage.** Avant d'utiliser la machine, la vérifier pour voir s'il n'y a pas de pièces endommagées. Vérifier l'alignement des pièces mobiles et si ces pièces ne se coincent pas, la rupture de pièces, ou toute autre condition pouvant en affecter le fonctionnement. Toute pièce ou protecteur endommagé doit être réparé ou remplacé avec le delta ou les pièces de rechange autorisées par usine. Les pièces endommagées peuvent dégrader davantage la machine et/ou entraîner des blessures.
- Garder l'aire de travail propre.** Les zones et établis encombrés favorisent les accidents.
- Garder les enfants et les visiteurs à distance.** L'atelier est un lieu potentiellement dangereux. Les enfants et les visiteurs peuvent se blesser.
- Éviter le démarrage accidentel.** S'assurer que l'interrupteur est sur « OFF » (ARRÊT) avant de brancher le cordon. En cas de coupure de courant, placer l'interrupteur à la position « OFF » (ARRÊT). Un démarrage accidentel peut entraîner des blessures.
- Utiliser les dispositifs protecteurs.** Vérifier que tous les dispositifs protecteurs sont bien en place, bien fixés et en bon état de marche pour éviter les blessures.
- Enlever les clés de réglage et celles de serrage avant de mettre la machine en marche.** Les outils, les chutes et les autres débris peuvent être projetés violemment et blesser.
- Utiliser la bonne machine.** Ne pas forcer la machine ou l'accessoire à faire un travail pour lequel il n'a pas été conçu. Des dommages à la machine et/ou des blessures pourraient s'ensuivre.
- Utiliser les accessoires recommandés.** L'utilisation d'accessoires non recommandés par DELTA peut endommager la machine et blesser l'utilisateur.
- Utiliser le cordon prolongateur approprié.** S'assurer que le cordon prolongateur est en bon état. Lorsqu'un cordon prolongateur est utilisé, s'assurer que celui-ci est d'un calibre suffisant pour l'alimentation nécessaire à la machine. Un cordon d'un calibre insuffisant entraînera une perte de tension d'où une perte de puissance et surchauffe. Voir le Tableau sur Les Cordons prolongateurs pour obtenir le calibre approprié selon la longueur du cordon et l'ampérage de la machine. S'il y a un doute, utiliser un cordon d'un calibre supérieur. Plus le chiffre est petit, plus le fil est gros.
- Fixer la pièce.** Utilisez les brides ou un étau pour tenir l'objet si pratique. La perte de commande d'un objet peut causer des dommages.
- Avancer la pièce dans le sens contraire à la rotation de la lame, de la fraise ou de la surface abrasive.** L'alimentation dans l'autre sens peut entraîner une projection violente de la pièce.
- Ne pas forcer la machine en avançant la pièce trop vite.** Des dommages et/ou des blessures peuvent s'ensuivre.
- Ne pas se pencher au-dessus de la machine.** Une perte de l'équilibre peut entraîner une chute sur la machine en marche et causer des blessures.
- Ne jamais monter sur la machine.** On peut se blesser gravement si la machine bascule ou si l'on touche accidentellement son outil tranchant.
- Ne jamais laisser la machine en marche sans surveillance. Couper le courant.** Ne pas quitter la machine tant qu'elle n'est pas complètement arrêtée. Un enfant ou un visiteur pourrait se blesser.
- Mettre la machine à l'arrêt « OFF » et la débrancher avant d'installer ou d'enlever des accessoires, changer les coupeurs, d'ajuster ou de changer des montages.** En dépannant, soyez sûr de fermer le commutateur de début en position de « OFF ». Un démarrage accidentel peut entraîner des blessures.
- Mettre l'atelier à l'abri des enfants au moyen de cadenas, d'interrupteurs principaux ou en enlevant les boutons des dispositifs de mise en marche.** Le démarrage accidentel de la machine par un enfant ou un visiteur peut entraîner des blessures.
- Rester vigilant, attentif, et faire preuve de bon sens. Ne pas utiliser la machine lorsque l'on est fatigué ou sous l'influence de drogues, d'alcool ou de médicaments.** Un instant d'inattention lors de l'utilisation d'outils électriques peut entraîner des blessures graves.
- ▲ AVERTISSEMENT :** L'utilisation de cet outil peut produire et disperser de la poussière ou d'autres particules en suspension dans l'air, telles que la sciure de bois, la poussière de silicium cristallin et la poussière d'amiante. Dirigez les particules loin du visage et du corps. Faites toujours fonctionner l'outil dans un espace bien ventilé et prévoyez l'évacuation de la poussière. Utilisez un système de dépoussiérage chaque fois que possible. L'exposition à la poussière peut causer des problèmes de santé graves et permanents, respiratoires ou autres, tels que la silicose (une maladie pulmonaire grave) et le cancer, et même le décès de la personne affectée. Évitez de respirer de la poussière et de rester en contact prolongé avec celle-ci. En laissant la poussière pénétrer dans vos yeux ou votre bouche, ou en la laissant reposer sur votre peau, vous risquez de promouvoir l'absorption de substances toxiques. Portez toujours des dispositifs de protection respiratoire homologués par NIOSH/OSHA, appropriés à l'exposition à la poussière et de taille appropriée, et lavez à l'eau et au savon les surfaces de votre corps qui ont été exposées.



# RÈGLES SPÉCIFIQUES ADDITIONNELLES DE SÛRETÉ

**▲ AVERTISSEMENT :** L'inobservation de ces règles peut conduire à des blessures graves.

- 1. NE PAS FAIRE FONCTIONNER CETTE MACHINE** avant qu'elle ne soit entièrement assemblée et installée conformément à ces directives. Une machine mal assemblée peut provoquer des blessures graves.
- 2. DEMANDER CONSEIL** à un superviseur, instructeur, ou toute autre personne qualifiée si vous ne maîtrisez pas parfaitement l'utilisation de cette machine. La connaissance est synonyme de sécurité.
- 3. SUIVRE TOUS LES CODES DE CÂBLAGE** et les connexions électriques recommandées afin d'éviter tout choc électrique ou électrocution.
- 4. FIXER LA MACHINE SUR UNE SURFACE DE SUPPORT.** Les vibrations sont susceptibles de faire glisser, « marcher », ou basculer la machine.
- 5. NE JAMAIS DÉMARRER LA MACHINE AVANT DE RETIRER DE LA TABLE** tout objet (outils, morceaux de déchet de découpe, etc.). Les débris peuvent être projetés à grande vitesse.
- 6. NE JAMAIS DÉMARRER LA MACHINE** avec une mèche, un outil de coupe ou un cylindre de contact contre l'ouvrage. La perte de contrôle de l'ouvrage peut provoquer de graves blessures.
- 7. VERROUILLER CORRECTEMENT LA MÈCHE, L'OUTIL DE COUPE OU LE CYLINDRE DE CONTACT DANS LE MANDRIN** avant d'utiliser cette machine.
- 8. RETIRER LA CLÉ DU MANDRIN AVANT DE DÉMARRER LA MACHINE.** La clé du mandrin risque d'être projetée à grande vitesse.
- 9. SERRER TOUTES LES POIGNÉES DE VERROUILLAGE** avant de démarrer la machine. La perte de contrôle de l'ouvrage peut provoquer de graves blessures.
- 10. UTILISER SEULEMENT DES MÈCHES, OUTILS DE COUPE, CYLINDRES DE CONTACT OU AUTRES ACCESSOIRES** avec une queue à la dimension recommandée dans le mode d'emploi. Un accessoire de la mauvaise taille peut endommager la machine et/ou provoquer de graves blessures.
- 11. UTILISER SEULEMENTS DES MÈCHES, OUTILS DE COUPE OU CYLINDRES DE CONTACT** intacts. Des articles endommagés peuvent provoquer des défaillances qui mèneraient à des blessures.
- 12. UTILISER LES VITESSES RECOMMANDÉES** pour toutes opérations. D'autres vitesses peuvent provoquer des défaillances de la machine qui endommageraient celle-ci et/ou provoqueraient de graves blessures.
- 13. ÉVITER LES OPÉRATIONS MALADROITES ET ÉVITER D'AVOIR LES MAINS MAL PLACÉES.** En glissant inopinément, votre main pourrait percuter la mèche.
- 14. TENIR LES BRAS, MAINS ET DOIGTS** éloignés de la mèche. De graves blessures à la main peuvent survenir.
- 15. TENIR FERMEMENT L'OUVRAGE CONTRE LA TABLE.** Ne pas percer un ouvrage si celui-ci ne repose pas sur un côté plat contre la table ou s'il n'est pas fixé dans un étau. Empêcher l'ouvrage de tourner en le rattachant à la table ou en le fixant contre la colonne de la perceuse. La perte de contrôle de l'ouvrage peut provoquer de graves blessures.
- 16. ÉTEINDRE LA MACHINE ET ATTENDRE QUE LA MÈCHE, L'OUTIL DE COUPE OU LE CYLINDRE DE CONTACT** s'arrête complètement avant de nettoyer la zone de travail, d'enlever des débris, de retirer ou de fixer un ouvrage ou de changer l'angle de la table. Une mèche, un outil de coupe ou un cylindre de contact en mouvement peut provoquer de graves blessures.
- 17. SOUTENIR CORRECTEMENT LES OUVRAGES LONGS OU LARGES.** La perte de contrôle de l'ouvrage peut provoquer de graves blessures.
- 18. NE PLACEZ PAS** plus de 250 livres (113.4 kg) de poids sur la table.
- 19. NE JAMAIS EFFECTUER D'OPÉRATIONS DE TRAÇAGE, D'ASSEMBLAGE, OU DE RÉGLAGE** sur la table/l'espace de travail lorsque la machine est en marche. De graves blessures pourraient survenir.
- 20. ÉTEINDRE LA MACHINE, LA DÉBRANCHER, ET NETTOYER LA TABLE/L'ESPACE DE TRAVAIL AVANT DE LAISSER LA MACHINE.** Verrouiller l'interrupteur en position d'arrêt afin d'éviter toute utilisation non autorisée. Il se peut que quelqu'un démarre accidentellement la machine et se blesse gravement.
- 21. DES INFORMATIONS SUPPLÉMENTAIRES** (i.e. une vidéo sur la sécurité), indiquant comment utiliser des outils électriques correctement et en toute sécurité, sont disponibles auprès du Power Tool Institute, 1300 Sumner Avenue, Cleveland, OH 44115-2851, États-Unis ([www.powertoolinstitute.com](http://www.powertoolinstitute.com)). Vous pouvez également vous procurer des informations auprès du National Safety Council, 1121 Spring Lake Drive, Itasca, IL 60143-3201, États-Unis. Veuillez vous reporter à la norme ANSI 01.01 de l'American National Standards Institute concernant les machines de travail du bois, ainsi que la réglementation OSHA 1910.213. du département américain du travail.

## CONSERVER CES DIRECTIVES.

Les consulter souvent et les utiliser pour donner des directives aux autres.

# RÈGLES ADDITIONNELLES DE SÛRETÉ POUR LES LASERS

## CONSIGNES DE SÉCURITÉ POUR LES LASERS

**▲ AVERTISSEMENT :** lire et comprendre toutes les directives. Le non-respect des directives suivantes comporte des risques de décharges électriques, d'incendie et/ou de blessures graves.

**▲ AVERTISSEMENT :** pour votre sécurité, lire le manuel de l'utilisateur respectif à l'outil avant l'utilisation de tout accessoire. Tout manquement à ces avertissements augmente les risques de blessures, et les risques d'endommager sérieusement l'appareil et ses accessoires. Lors de l'entretien de cet outil, n'utiliser que des pièces de rechange identiques.


**▲ AVERTISSEMENT :** IRRADIATION LASER. Ne pas démonter ou modifier le laser. Il ne comporte à l'intérieur aucune pièce réparable par l'utilisateur. Des lésions oculaires graves pourraient en résulter.

**▲ AVERTISSEMENT :** DANGER D'IRRADIATION. Toute modification ou utilisation de l'outil dans un but autre que celui pour lequel il a été conçu pose des risques d'irradiations.

- Ne pas faire fonctionner le laser en milieu déflagrant, en présence par exemple de poussières, gaz ou liquides inflammables. Les outils électriques peuvent produire des étincelles qui pourraient enflammer toute émanation ou poussière ambiante.
- Ranger le laser hors de la portée des enfants ou de toute personne non familière avec cet outil. Les lasers peuvent être dangereux entre les mains d'utilisateurs inexpérimentés.
- L'outil doit être entretenu ou réparé exclusivement par du personnel qualifié. Tout entretien ou maintenance effectué par une personne non qualifiée comporte des risques de dommages corporels. Pour trouver le centre de réparation DELTA le plus proche, composer le 1-800-223-7278 ou se rendre sur le site Internet www.deltaportercable.com.
- Ne pas utiliser d'outils optiques comme les télescopes ou télescopes transit pour observer le faisceau laser. Des lésions oculaires graves pourraient en résulter.
- Ne pas fixer du regard l'ouverture du faisceau ou le reflet du rayon sur une surface réfléchissante.
- Ne pas disposer le laser de façon à permettre à quiconque de regarder, délibérément ou non, directement le faisceau laser. Des lésions oculaires graves pourraient en résulter.
- Arrêter le laser en fin d'utilisation. Le fait de le laisser en marche augmente les risques que le regard d'un individu croise le faisceau laser.
- Ne pas démonter le laser ou son bloc d'alimentation. Il ne comporte à l'intérieur aucune pièce réparable par l'utilisateur.
- Ne modifier le laser en aucune façon. Le fait de modifier cet outil comporte des risques d'irradiation laser dangereuse.
- Ne pas utiliser le laser à proximité d'enfants ou permettre à un enfant de l'utiliser. Des lésions oculaires graves pourraient en résulter.
- Ne pas retirer ou abîmer les étiquettes d'avertissement. Le fait de les retirer augmente les risques d'irradiation.


**▲ AVERTISSEMENT :** DANGER D'IRRADIATION. Toute modification ou utilisation de l'outil dans un but autre que celui pour lequel il a été conçu pose des risques d'irradiations.

- L'étiquette apposée sur votre outil peut inclure les symboles suivants.

V .....	volts	mW .....	milliwatts
	.....avertissement laser symbole	nm .....	longueur d'onde ..... en nanomètres
II .....	Laser de classe II	IIIa .....	Laser de classe IIIa
~ .....	courant alternatif	=== .....	courant continu
W .....	watts	Hz .....	hertz

## ÉTIQUETTES D'AVERTISSEMENT

Pour des raisons de commodités et de sécurité, l'étiquette suivante est apposée sur ce produit :




CAUTION: CLASS 2 LASER RADIATION WHEN OPEN.  
DO NOT STARE INTO THE BEAM.

LASER RADIATION  
DO NOT STARE INTO BEAM  
CLASS 2 LASER PRODUCT  
MAXIMUM OUTPUT POWER  
<1 mW MAX@ 630nm-680nm>  
IEC60825-1:2007

COMPLIES WITH 21CFR 1040.10 AND 1040.11  
EXCEPT FOR DEVIATIONS PURSUANT TO  
LASER NOTICE NO. 50, DATED JUNE 24, 2007.

ATENCIÓN - LASER CLASE 2 EMITE  
RADIACIÓN CUANDO ESTÁ ABIERTO.  
NO FIJE LA VISTA EN EL HAZ.

ATTENTION - RADIATIONS  
LASER DE CLASSE 2  
LORSQU'OUVERT; NE PAS  
FIXER LE FAISCEAU.

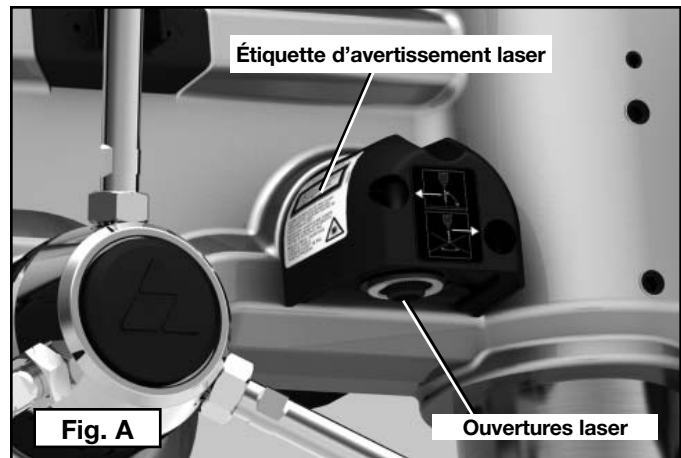


## CARACTÉRISTIQUES TECHNIQUES LASER

<b>SOURCE DE LUMIÈRE</b>	Diode laser double à semi-conducteur
<b>LONGUEUR D'ONDE DU LASER</b>	Visible de 630 nm à 680 nm
<b>PUISSANCE DU LASER</b>	APPAREIL LASER DE CLASSE II, <1mw (par faisceau)

## OUVERTURES LASER

L'ouverture laser sur chaque nacelle du laser (de chaque côté de la tête de la perceuse à colonne) est située sur les nacelles, comme illustré en figure C. L'étiquette d'avertissement est également située sur la perceuse à colonne, comme illustré :



## RACCORDEMENTS ÉLECTRIQUES

Un circuit électrique séparé doit être utilisé pour les machines. Un circuit adéquat est composé d'un câblage de calibre AWG12/3 avec un fil de terre relié à la terre. Ce circuit doit être protégé par un disjoncteur homologué ou un fusible à retardement. **REMARQUE** : les fusibles temporisés devraient avoir l'inscription « D » au Canada et « T » aux É.-U. Si on utilise un cordon prolongateur, ce cordon doit être à trois fils, avoir une fiche à trois broches et une prise de courant à trois cavités, mise à la terre qui correspond à la fiche de la machine. Avant debrancher la machine, s'assurer que l'interrupteur (les interrupteurs) se trouve(nt) en position « OFF » (ARRÊT) et que le courant électrique présente les mêmes caractéristiques que celles qui sont inscrites sur la machine. Toutes les connexions électriques doivent établir un bon contact. Le fonctionnement sur une basse tension endommagera la machine.

**▲ DANGER: RISQUES DE CHOCS ÉLECTRIQUES. Ne pas exposer la machine à la pluie, et ne pas l'utiliser dans des endroits humides.**

## SPÉCIFICATIONS DU MOTEUR

Cette machine est câblée pour un fonctionnement sur un courant alternatif de 120 volts 60 Hz. Avant de brancher la machine, s'assurer que l'interrupteur se trouve à la position « OFF » (ARRÊT).

## INSTRUCTIONS DE MISE À LA TERRE

**▲ DANGER: RISQUES DE CHOCS ÉLECTRIQUES. Cette machine doit être mise à la terre pendant son emploi, afin de protéger l'utilisateur des décharges électriques**

### 1. Toutes les machines avec cordon mis à la terre:

Dans l'éventualité d'un mauvais fonctionnement ou d'une panne, la mise à la terre fournit un trajet de moindre résistance permettant de réduire le risque de décharge électrique. Cette machine est dotée d'un cordon électrique possédant un conducteur de mise à la terre de l'équipement ainsi que d'une fiche mise à la terre. La fiche doit être branchée dans une prise de courant correspondante, installée de façon adéquate et mise à la terre conformément à tous les codes et règlements locaux.

Ne pas modifier la fiche fournie - si elle ne s'adapte pas à la prise de courant, il faut faire installer une prise de courant convenable par un électricien compétent.

Un mauvais raccordement du conducteur de mise à la terre de l'équipement peut entraîner un risque de décharge électrique. Le conducteur possédant un isolant avec surface extérieure de couleur verte, avec ou sans rayures jaunes, est le conducteur de mise à la terre de l'équipement. Si une réparation ou un remplacement du cordon électrique s'avère nécessaire, ne pas brancher le conducteur de mise à la terre de l'équipement à une borne sous tension.

Consulter un électricien compétent ou le personnel de service après-vente si on ne comprend pas entièrement les instructions de mise à la terre, ou si l'on doute que la machine soit correctement mise à la terre.

Utiliser seulement des cordons prolongateurs à trois fils dotés d'une fiche mise à la terre, à trois broches, et de prises à trois cavités convenant à la fiche de la machine, comme l'illustre la figure B.

Réparer ou remplacer sans délai tout cordon endommagé ou usé.

### 2. Machines avec cordon mis à la terre prévues pour une utilisation sur une alimentation nominale inférieure à 150 volts:

Si cette machine est prévue pour être utilisée sur un circuit qui comporte une prise semblable à celle illustrée à la figure B, la machine devra comporter une fiche mise à la terre semblable à celle illustrée à la figure B. Un adaptateur temporaire semblable à celui illustré à la figure C, peut être utilisé pour raccorder cette fiche à une prise à deux cavités comme celle illustrée à la figure C, si une prise correctement mise à la terre n'est pas disponible. L'adaptateur temporaire ne doit être utilisé que jusqu'au moment où une prise correctement mise à la terre est installée par un électricien compétent. L'oreiller rigide ou autre dispositif semblable de couleur verte, sur le dessus de l'adaptateur, doit être connecté sur une mise à la terre permanente comme, par exemple une boîte à prises correctement mise à la terre. Quand un adaptateur est utilisé, celui-ci doit être retenu en place par une vis en métal.

**REMARQUE:** Au Canada, le Code canadien de l'électricité ne permet pas l'emploi d'un adaptateur temporaire.

**▲ DANGER: RISQUES DE CHOCS ÉLECTRIQUES. Dans tous les cas, s'assurer que la prise en question est bien mise à la terre. Dans le doute, demander à un électricien compétent de vérifier la prise.**

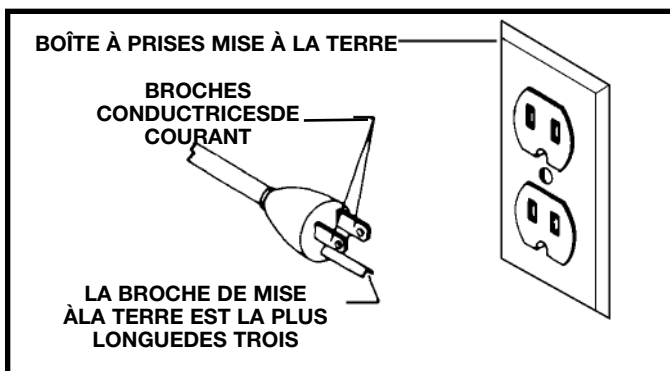


FIG. B

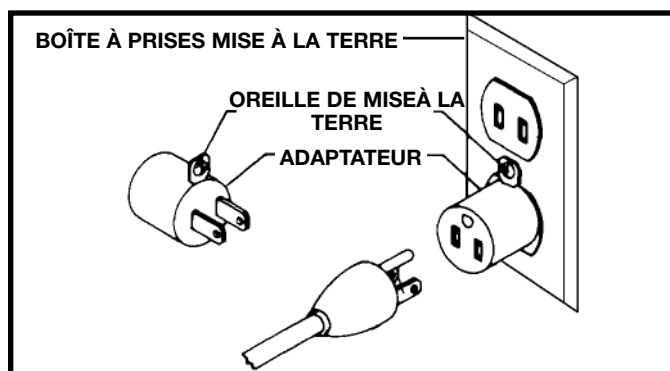


FIG. C

## CORDON DE RALLONGE

**⚠ AVERTISSEMENT :** Employez les cordes appropriées de prolongation. S'assurent votre corde de prolongation est en bon état. En utilisant une corde de prolongation, soyez sûr d'employer un assez lourd pour porter le courant de la machine. Une corde trop petite causera une baisse dans la tension secteur, ayant pour résultat la perte de puissance et de surchauffe. Fig. D-1, expositions la mesure correcte à employer selon la longueur de corde. En cas de doute, utilisez la prochaine mesure plus lourde. Plus le nombre de mesure est petit, plus la corde est lourde.

MESUR MINIMUM DE CORDE D'EXTENSION			
TAILLES RECOMMANDÉES POUR L'USAGE AVEC STATIONNAIRES ÉLECTRIQUES LES OUTILS			
Estimation père	Volts	Longueur Totale De Corde En Pieds	Mesure De Corde D'Am D'Extension
0-6	120	up to 25	18 AWG
0-6	120	25-50	16 AWG
0-6	120	50-100	16 AWG
0-6	120	100-150	14 AWG
6-10	120	up to 25	18 AWG
6-10	120	25-50	16 AWG
6-10	120	50-100	14 AWG
6-10	120	100-150	12 AWG
10-12	120	up to 25	16 AWG
10-12	120	25-50	16 AWG
10-12	120	50-100	14 AWG
10-12	120	100-150	12 AWG
12-16	120	up to 25	14 AWG
12-16	120	25-50	12 AWG
12-16	120	50 PI PLUS GRANDS QUE NON RECOMMANDES	

Fig. D-1

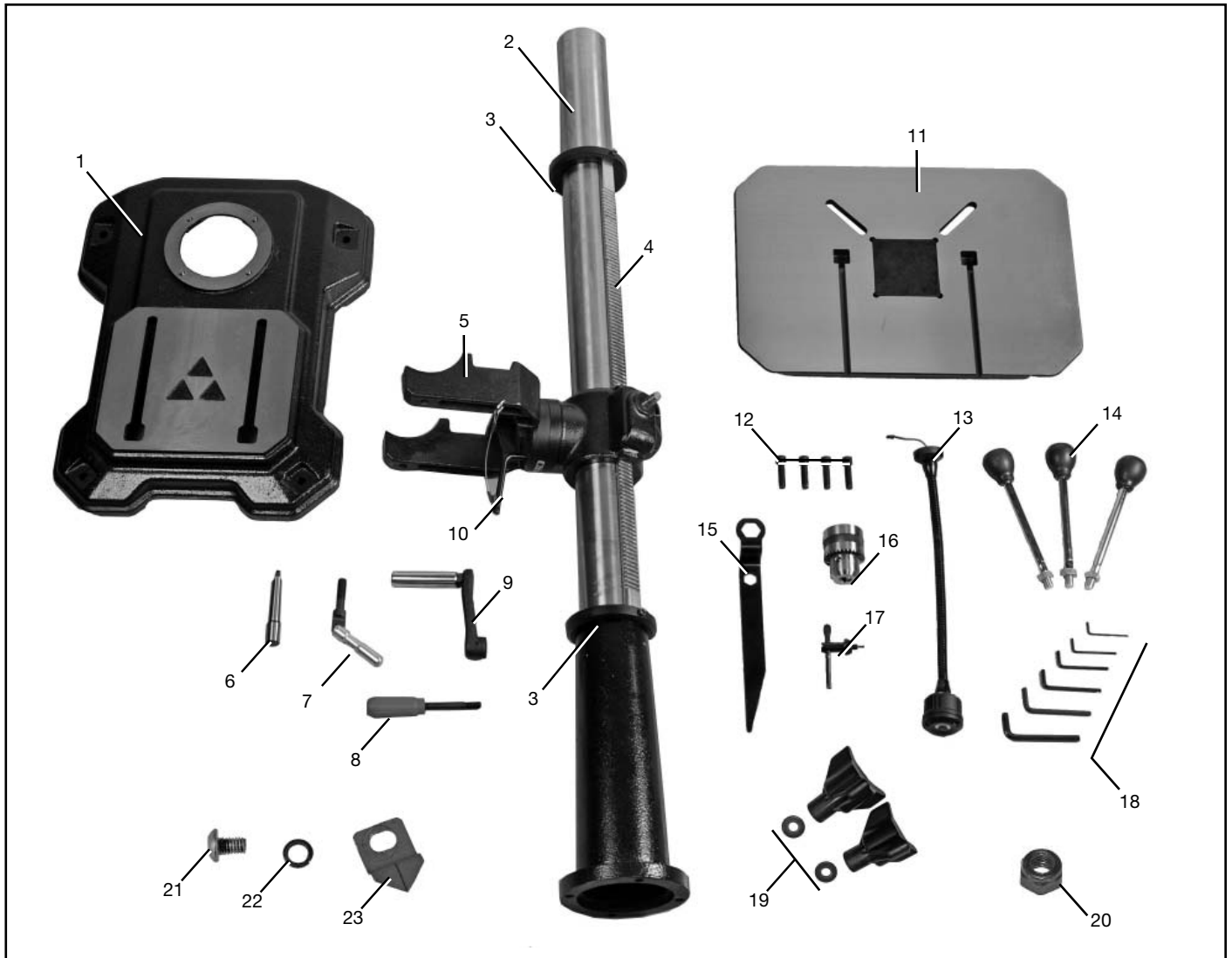
## DESCRIPTION FONCTIONNELLE

### AVANT-PROPOS

Le modèle Delta 18-900L Perceuse à Colonne de 457 mm (18 po) Avec Lasers: Cette machine industrielle est équipée d'un moteur à induction de 120V, 3/4 HP, d'un mandrin et d'une clé d'une capacité de 5/8 po, d'un plateau en fonte, d'un engrenage à crémaillère vertical, d'une butée de profondeur externe et d'une butée de fourreau intégrée. Le modèle 18-900L est doté d'une table inclinable pour le perçage d'angle. Il comprend également des bords latéraux et des fentes parallèles permettant le blocage rapide de la pièce à travailler. Le laser permet à l'utilisateur de cibler l'emplacement exact sur la pièce où la mèche pénétrera le matériau.

**AVIS :** l'illustration en couverture du manuel représente le modèle actuellement en fabrication. Toute autre illustration contenue dans ce manuel n'est présentée qu'à titre indicatif, et peut ne pas illustrer exactement la description ou les accessoires ci-inclus. Elles n'ont pour but que d'illustrer les techniques.

# CONTENUS DE BOITE



- |  |   |
|--|---|
| <ol style="list-style-type: none"> <li>1. Base</li> <li>2. Colonne</li> <li>3. Colliers de crémaillère (2)</li> <li>4. Crémaillère</li> <li>5. Support de table</li> <li>6. Arbre</li> <li>7. Poignée de blocage de la table</li> <li>8. Manette de tension de courroie</li> <li>9. Poignée de relèvement et d'abaissement de la table</li> <li>10. Goupille de 0 degré</li> <li>11. Tableau</li> <li>12. Vis à tête cylindrique à six pans creux M10 x 40 mm (4)</li> <li>13. Voyant DEL</li> </ol> | <ol style="list-style-type: none"> <li>14. Manettes de fourreau</li> <li>15. Clé de réglage de table et chasse-clé</li> <li>16. Mandrin</li> <li>17. Clé de mandrin</li> <li>18. (6) Clés hexagonales</li> <li>19. (2) Manettes d'inclinaison avant et rondelles</li> <li>20. M6 x 1 contre-écrou</li> <li>21. Vis à tête ronde</li> <li>22. Rondelle de blocage</li> <li>23. Index d'inclinaison de table</li> </ol> <p>* Tête de perceuse à colonne (non illustrée)<br/>         * Vis de réglage por la manette de tension de courroie (non illustrée)</p> |
|--|---|

## DÉSEMBALLAGE ET NETTOYAGE

Désemballer soigneusement la machine et toutes les pièces de ou des emballage(s) d'expédition. Retirer l'huile anti-corrosion des surfaces non peintes à l'aide d'un chiffon doux humidifié avec de l'alcool, du diluant à peinture ou de l'alcool dénaturé.

**⚠ AVERTISSEMENT :** N'utiliser pas de solvants hautement volatils tel l'essence, le naphte, l'acétone ou du diluant à laque pour nettoyer.

**⚠ AVERTISSEMENT :** Pour réduire le risque de blessures corporelles graves, toujours transporter l'appareil avec au moins deux personnes.

Après nettoyage, couvrir les surfaces non peintes d'une cire à parquets d'usage domestique de bonne qualité.

# ASSEMBLAGE

**⚠ AVERTISSEMENT :** Pour réduire le risque de blessures corporelles graves, éteindre l'outil et le débrancher avant d'installer et de retirer tout accessoire, avant d'ajuster ou de modifier les réglages ou lors de réparations. Un démarrage accidentel peut provoquer des blessures.

## OUTILS NÉCESSAIRES AU MONTAGE

Clés hexagonales (fournies)

Maillet en caoutchouc (non fourni)

Clés 10 mm

## INSTALLATION DE LA PERCEUSE À COLONNE SUR UN SUPPORT

1. Si vous décidez d'utiliser la perceuse à colonne au même endroit de façon permanente, il vous faudra arrimer la base de la perceuse à colonne à un support à l'aide d'attaches (non fournies) insérées dans ses quatre trous de montage (A), fig. 1.

**REMARQUE :** pour fixer la base sur un panneau de contreplaqué, utiliser la quincaillerie suivante : (4) vis à tête bombée M8 x 1,25 x 125 mm, (8) rondelles plates M8, (4) rondelles de blocage M8 et (4) écrous hexagonaux M8 x 1,25.

**⚠ AVERTISSEMENT :** **CONDITIONS D'UTILISATION DANGEREUSES.** Si votre perceuse à colonne n'est pas arrimée de façon permanente au sol, elle peut être fixée à un panneau de contreplaqué pour maximiser sa stabilité et prévenir qu'elle ne se renverse.

**⚠ AVERTISSEMENT :** **CONDITIONS D'UTILISATION DANGEREUSES.** Utiliser un contreplaqué de qualité supérieure avec une épaisseur minimale de 19 mm (3/4 po.). Ne pas utiliser de panneau d'aggloméré à cet effet, car il pourrait se briser facilement.

2. Utilisez un panneau de contreplaqué aux dimensions minimales illustrées en fig. 2 pour fixer la base de la perceuse à colonne (B), fig. 1, sur un support permanent.
3. Centrez la base de la perceuse à colonne sur le contreplaqué (D).

**⚠ AVERTISSEMENT :** **CONDITIONS D'UTILISATION DANGEREUSES.** S'assurer que le contreplaqué dépasse d'un minimum de 76.2 mm 3 po sur chacun des quatre côtés de la base.

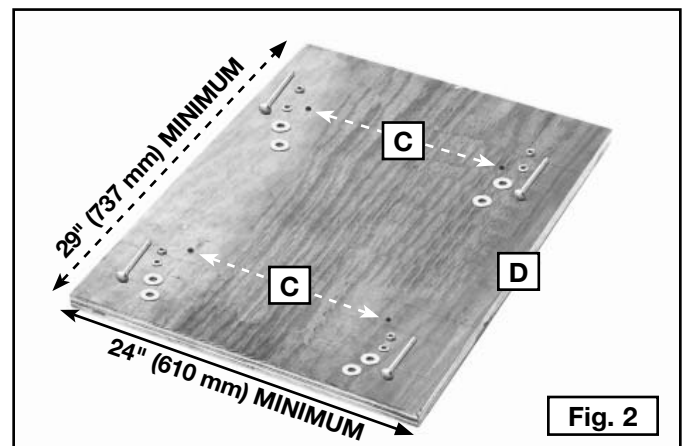
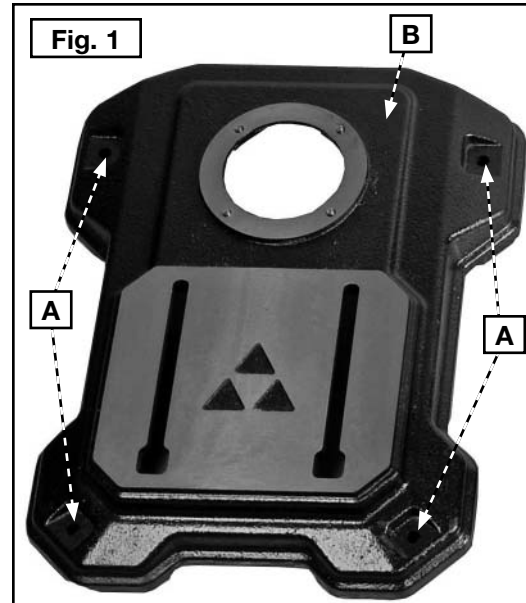
4. Tracez quatre repères (C) Fig. 2 dans les trous (A), fig. 1, sur la base de la perceuse à colonne. Puis percez des trous de 9.5 mm (3/8 po) de diamètre sur les repères tracés sur le support (D), fig. 2.

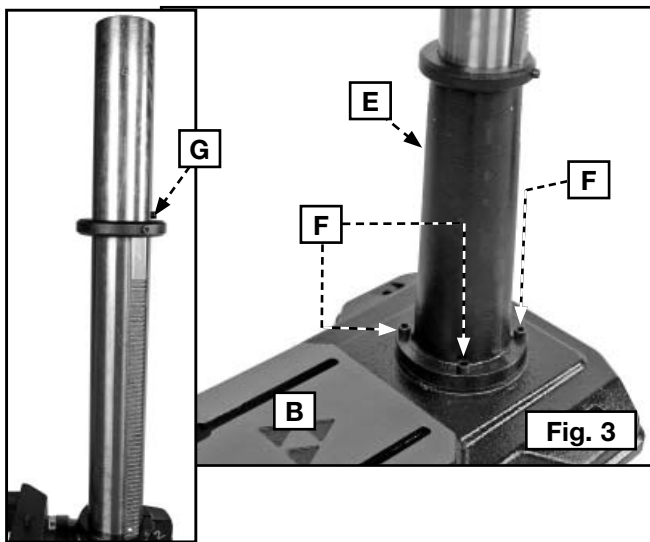
**REMARQUE :** placer un rebut de bois sous la surface du support de contreplaqué au moment de percer les trous pour éviter que la mèche n'endommage le matériau sous la surface du contreplaqué.

5. Arrimez la base de la perceuse à colonne sur le panneau de contreplaqué à l'aide des boulons à tête bombée, rondelles plates, rondelles de blocage, et écrous hexagonaux décrits ci-dessus (non fournis). Fraisez les trous pour les têtes de boulons à tête bombée et les rondelles plates sous le panneau, de façon à ce que les têtes d'écrous soient au raz ou sous la surface du panneau une fois insérées dans les trous sous le support. Utilisez une rondelle plate, une rondelle de blocage et un écrou hexagonal sur le dessus de la base pour arrimer les vis.

## ESTIMATION DU TEMPS D'ASSEMBLAGE

L'assemblage de cette machine pourra prendre entre 30 minutes et 1 heure.





## ASSEMBLAGE DE LA PERCEUSE À COLONNE

**⚠ AVERTISSEMENT : CONDITIONS D'UTILISATION DANGEREUSES.** Si votre perceuse à colonne n'est pas arrimée de façon permanente au sol, elle peut être fixée à un panneau de contreplaqué pour maximiser sa stabilité et prévenir qu'elle ne se renverse.

**⚠ AVERTISSEMENT :** pour réduire tout risque de dommages corporels, arrêter et débrancher l'appareil du secteur avant d'installer ou de retirer tout accessoire, avant tout réglage ou pour faire toute réparation. Tout démarrage accidentel comporte des risques de dommages corporels.

1. Fixez la perceuse à colonne (E), fig. 3, à la base (B) à l'aide de quatre Vis à tête cylindrique à six pans creux M10 x 40 mm (F), dont trois sont illustrées.

**REMARQUE :** s'assurer que la vis (G), encadré fig. 3, est orientée vers l'arrière de la perceuse à colonne.

2. Rattachez la poignée (H) pour élever ou abaisser le plateau, fig. 5, à l'arbre de roue à vis sans fin (I). Vissez la vis de pression (J) contre la partie plane de l'arbre avec la clé hexagonale de 3 mm fournie à cet effet.

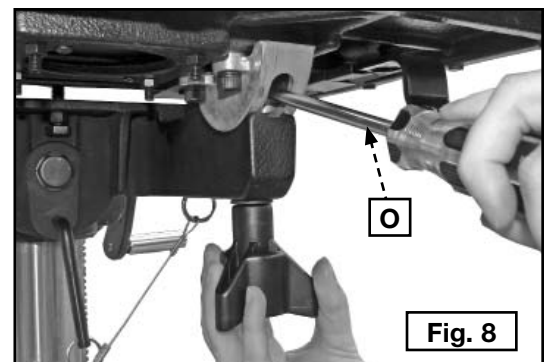
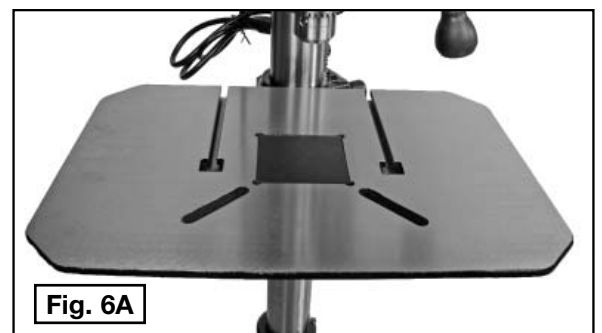
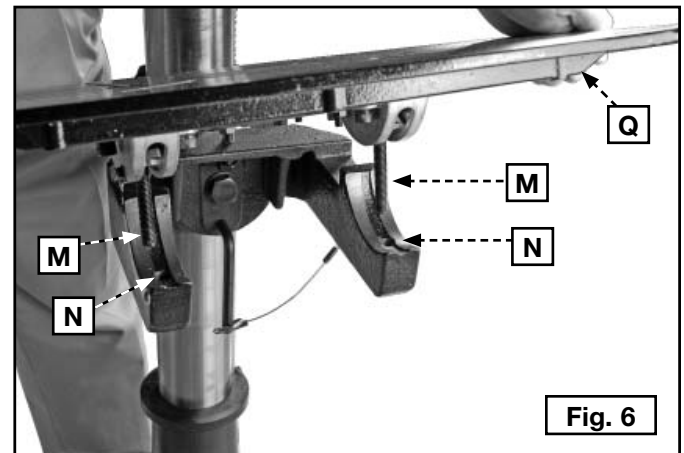
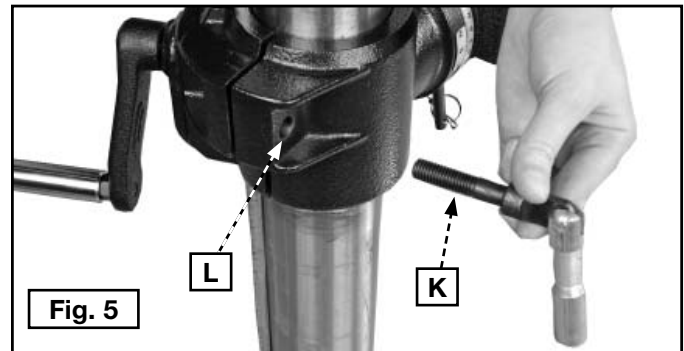
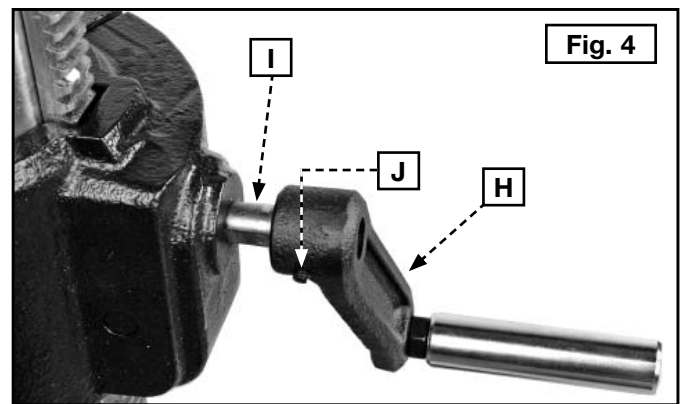
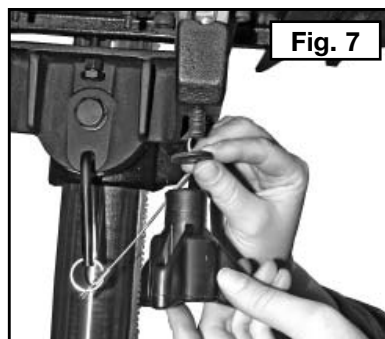
3. Vissez le levier de verrouillage de plateau (K), fig. 5, dans le trou (L) à l'arrière du dispositif de fixation du plateau et serrez-le soigneusement.

4. Alignez les boulons (M), fig. 6, sur le plateau (Q) avec les trous sur les supports de plateau (N) et posez le plateau sur les supports.

**REMARQUE :** assurez-vous d'orienter correctement la table de la perceuse avec la colonne à la colonne, comme illustré en fig. 6A.

5. Installez les rondelles et les manettes d'inclinaison avant, comme illustré en fig. 7. Resserrez fermement.

**REMARQUE :** les boulons sur le pivot sont mobiles. Pour installer les manettes plus facilement, insérez un tournevis à tête plate (O), fig. 8, dans la fente du pivot contre les boulons pour les immobiliser.



## INSTALLATION DE LA POUPÉE FIXE SUR LA COLONNE ET LA BASE

Pour installer la poupée fixe sur la colonne :

1. Poussez à fond la tête (P) de la perceuse à colonne, fig. 9, sur la colonne.

**REMARQUE :** s'assurer que les vis de blocage (R) de la tête n'empêchent pas la tête de la perceuse à colonne de reposer bien à plat sur la colonne.

**⚠ AVERTISSEMENT :** pour réduire tout risque de dommages corporels, soulever systématiquement la machine à deux personnes ou plus.

2. Alignez la tête (P), fig. 10, avec le plateau (Q) et la base (B).
3. Resserrez les deux vis de blocage de tête (R), fig. 9, avec la clé hexagonale de 5 mm fournie à cet effet.

## INSTALLATION DU MANDRIN

**⚠ AVERTISSEMENT :** pour réduire tout risque de dommages corporels, arrêter et débrancher l'appareil du secteur avant d'installer ou de retirer tout accessoire, avant tout réglage ou pour faire toute réparation. Tout démarrage accidentel comporte des risques de dommages corporels.

**IMPORTANT :** s'assurer que le trou conique à l'extrémité de la broche (U), fig. 11, et l'adaptateur conique de broche (V) sont propres et exempts de graisse, laque ou revêtement antirouille.

**REMARQUE :** retirer toute huile anticorrosion du mandrin à l'aide d'un chiffon doux humidifié d'essence minérale, de diluant ou d'alcool dénaturé.

Enfoncez l'adaptateur de broche (V), fig. 11, dans la broche (U), en vous assurant que le tenon (W) s'enclenche sur la fente correspondante à l'intérieur de la broche (U).

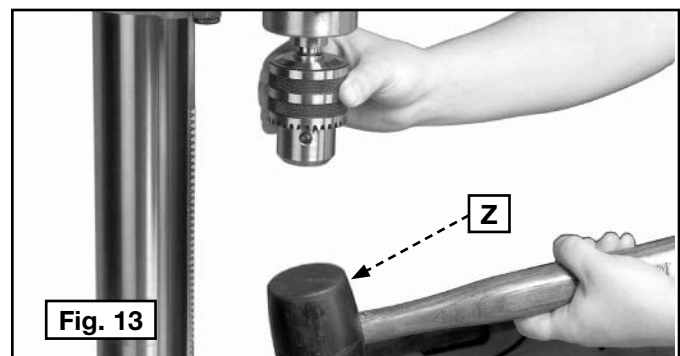
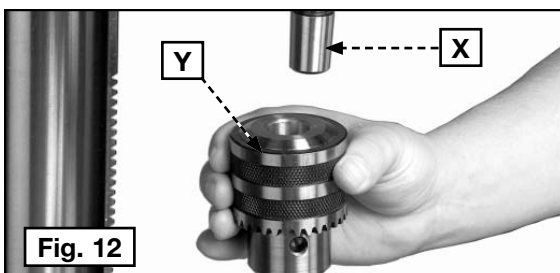
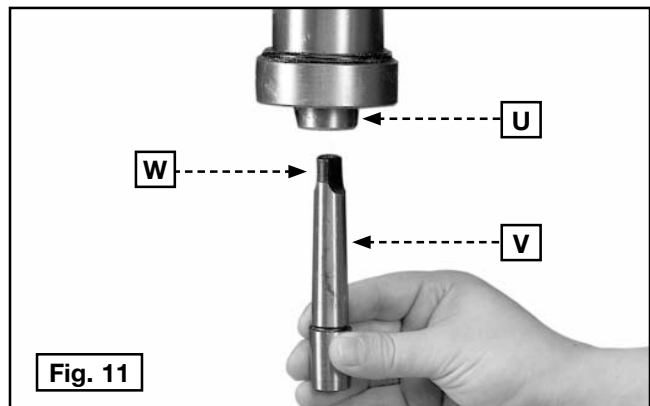
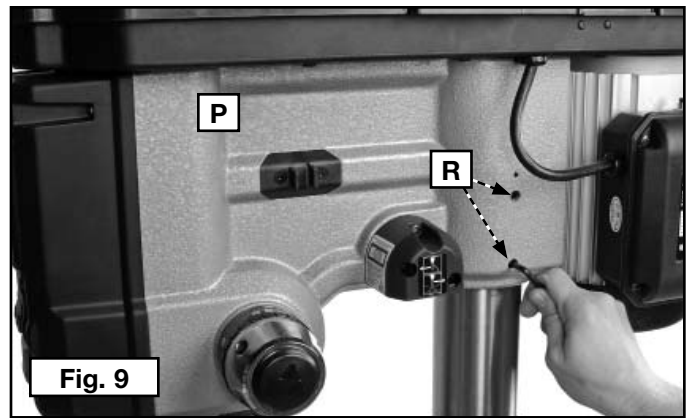
**AVIS: RISQUES DE DOMMAGES MATÉRIELS.** Pour éviter d'endommager le laser, protéger la nacelle du laser de tout contact avec le produit de nettoyage. La nacelle peut être nettoyée à l'aide d'un chiffon de coton sec.

**IMPORTANT :** s'assurer que le cône de broche (X), fig. 12, et le trou conique du mandrin (Y) sont propres et exempts de graisse, laque ou revêtement antirouille.

**REMARQUE :** retirer toute huile anticorrosion du mandrin à l'aide d'un chiffon doux humidifié d'essence minérale, de diluant ou d'alcool dénaturé.

**IMPORTANT :** faire tourner le mandrin jusqu'à ce que ses mâchoires soient complètement rétractées à l'intérieur de celui-ci. Maintenir le mandrin sur le cône de la broche. Le tapoter à l'aide d'un marteau souple (Z), fig. 13, ou d'un morceau de bois et d'un marteau, pour positionner le mandrin.

**AVIS: RISQUES DE DOMMAGES MATÉRIELS.** Pour éviter d'endommager le mandrin, NE JAMAIS enfoncer le mandrin sur la broche avec un marteau métallique.

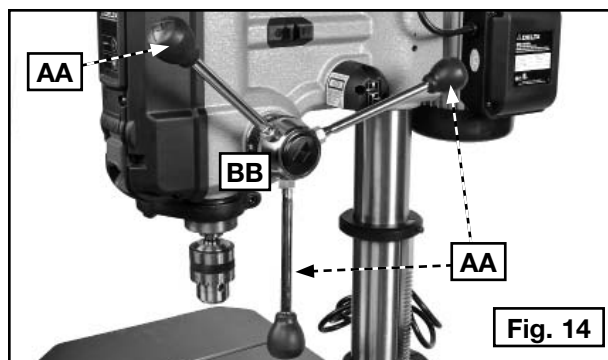




## INSTALLATION DES POIGNÉES DE L'ARBRE DE PIGNON DE PIGNON

**▲ AVERTISSEMENT :** pour réduire tout risque de dommages corporels, arrêter et débrancher l'appareil du secteur avant d'installer ou de retirer tout accessoire, avant tout réglage ou pour faire toute réparation. Tout démarrage accidentel comporte des risques de dommages corporels.

Vissez les trois poignées de l'arbre de pignon (AA) dans les trois trous situés sur le moyeu de l'arbre de pignon (BB), fig. 14.



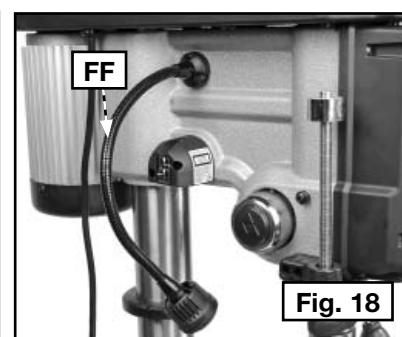
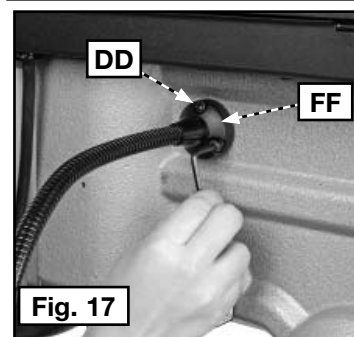
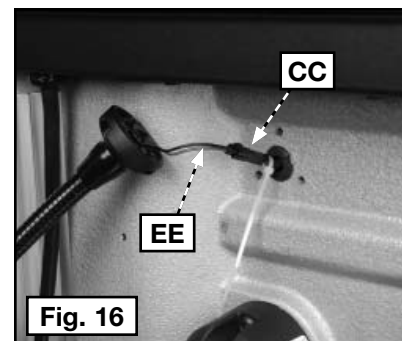
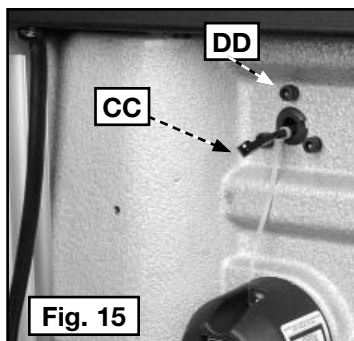
## INSTALLATION DE LA LAMPE DE TRAVAIL DEL

**▲ AVERTISSEMENT :** pour réduire tout risque de dommages corporels, arrêter et débrancher l'appareil du secteur avant d'installer ou de retirer tout accessoire, avant tout réglage ou pour faire toute réparation. Tout démarrage accidentel comporte des risques de dommages corporels.

La lampe de travail DEL incluse avec l'appareil doit être attachée sur le côté de la poupée fixe au fil (CC), fig. 15.

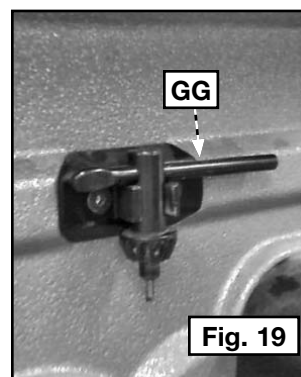
**REMARQUE :** avant toute connexion, attention à ne pas repousser le fil (CC) dans la poupée fixe, car il sera alors difficile à récupérer.

1. Retirez les trois vis de 6 mm (illustrées en DD), fig. 15.
2. Reliez les deux fils - (CC) de la poupée fixe et (EE) de la lampe de travail DEL - comme illustré en fig. 16.
3. Retirez l'attache de câble en plastique.
4. Repoussez le surplus de fils à l'intérieur de la poupée fixe.
5. Attachez la lampe de travail DEL (FF), fig. 17, à la poupée fixe à l'aide des trois vis retirées un peu plus tôt. L'une de celles-ci est illustrée en (DD).
6. Le résultat de l'installation de la lampe de travail DEL (FF) devrait ressembler à la figure 18.



## STOCKAGE DE LA CLÉ DE MANDRIN

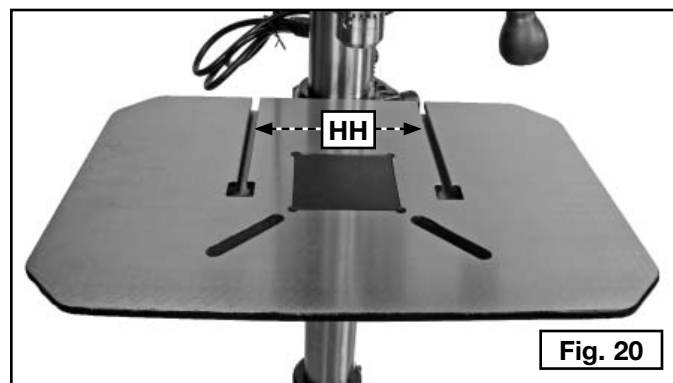
Un emplacement pour stocker la clé de mandrin (GG) a été intégré sur le côté droit de la poupée fixe de la perceuse à colonne. Enclenchez la clé de mandrin dans son compartiment, comme illustré en figure 19.



## RAINURES EN T

La table de la perceuse à colonne comprend deux rainures en T (HH), fig. 20, pour servir avec différents accessoires de la perceuse (butées, guides, ou dispositifs de serrages). Utilisez des boulons pour rainure en T de 5/16 po ou des boulons à tête hexagonale de 1/4-20 po pour fixer les accessoires à la table.

**▲ AVERTISSEMENT :** comme les accessoires autres que ceux offerts par DELTA n'ont pas été testés avec ce produit, l'utilisation de ces accessoires pourrait poser des risques. Pour votre sécurité, seuls des accessoires DELTA recommandés doivent être utilisés avec cet appareil.



## STOCKAGE DE LA CLÉ DE SERRAGE DE TABLE

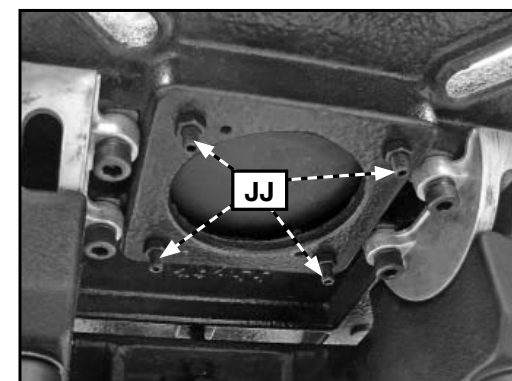
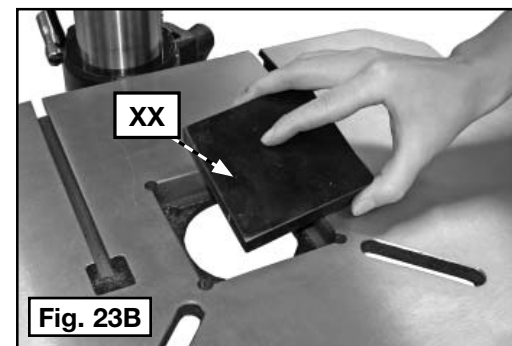
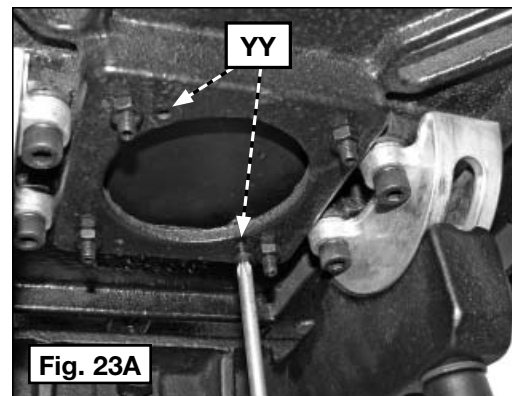
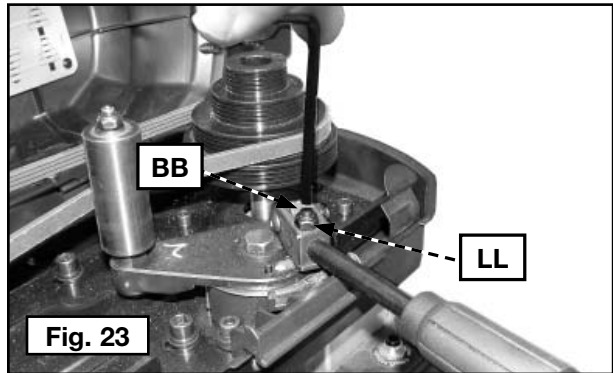
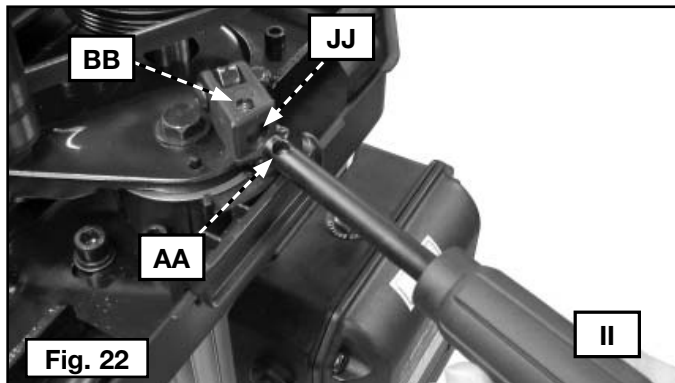
La clé de serrage de table peut être entreposée sous la table, comme illustré en fig. 21.

## MANETTE DE TENSION DE COURROIE

Pour rattacher la manette de tension de courroie (II), fig. 22, placez-la dans le trou (JJ) avec le trou (AA) sur le dessus, comme illustré.

Alignez la vis de pression (BB) sur le trou (AA), fig. 22, et resserrez fermement la vis dans le trou à l'aide de la clé hexagonale, comme illustré en fig. 23.

Placez M6 X 1 du contre-écrou (LL) fig. 23 sur la vis de réglage (BB). Serrez fermement le contre-écrou (LL) avec une clé de 10 mm.



## PLAQUETTE

La table de la perceuse à colonne est équipée d'une plaquette (XX), fig. 23B, en MDF pour prévenir usure et dégradation pendant le perçage vertical d'une pièce à travailler.

Avec le temps, il s'avèrera nécessaire de changer cette pièce. Elle peut être faite à partir d'un morceau de MDF de 3/4 po d'épaisseur, coupé en un carré de 3-3/4 po de côté.

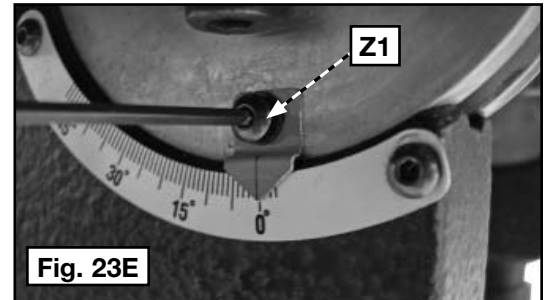
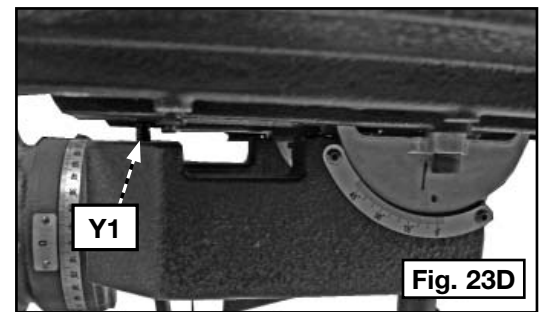
Pour changer l'ancienne plaquette :

1. Retirez les deux vis des trous (YY), fig. 23A, qui maintiennent la plaquette en place.
2. Retirez la vieille plaquette et installez la nouvelle sur la table (fig. 23B).
3. Si la plaquette n'est pas de niveau avec la table, ajustez les quatre vis de calage (JJ), fig. 23C. Lorsque la plaquette sera de niveau, resserrez l'écrou de blocage sur chaque vis.
4. Maintenez la plaquette et arrimez-la à l'aide des 2 vis retirées à l'étape 1. Insérez les vis dans les trous (YY), fig. 23A, et fixez fermement la plaquette en place.

## INDEX D'INCLINAISON DE TABLE

Verrouillez les manettes d'inclinaison avant avec la table fermement contre la vis de pression (Y1), fig. 23D.

Placez la rondelle de blocage sous la tête de vis (Z1, fig. 23E) et enfin l'index. Alignez le trait de l'index sur le 0° de la règle et resserrez soigneusement à l'aide de la clé hexagonale fournie à cet effet.



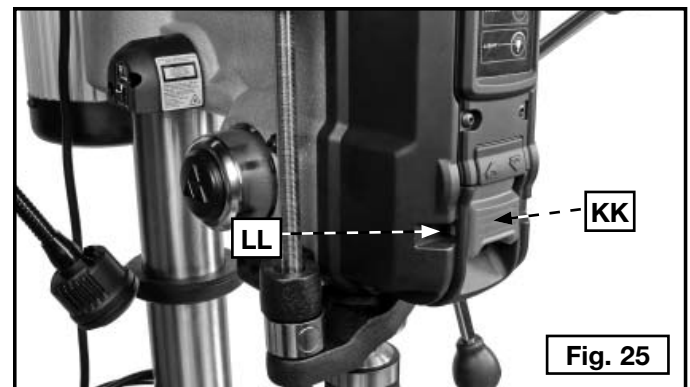
## FONCTIONNEMENT

### L'OPERATION CONTROLE DE LE ET LES AJUSTEMENT

#### DÉMARRAGE ET ARRÊT DU MODÈLE 18-900L

**▲ AVERTISSEMENT :** pour réduire tout risque de dommages corporels, s'assurer que l'interrupteur MARCHE/ARRÊT est en position « OFF » (ARRÊT) avant de brancher l'appareil. Ne pas toucher les broches métalliques lors du branchement ou débranchement du cordon.

Pour mettre la perceuse à colonne en marche, levez la manette (KK), fig. 24, sur la position « ON ». Pour arrêter la perceuse à colonne, abaissez la manette (KK), fig. 25, sur la position « OFF », comme illustré.



#### VERROUILLER L'INTERRUPTEUR EN POSITION D'ARRÊT

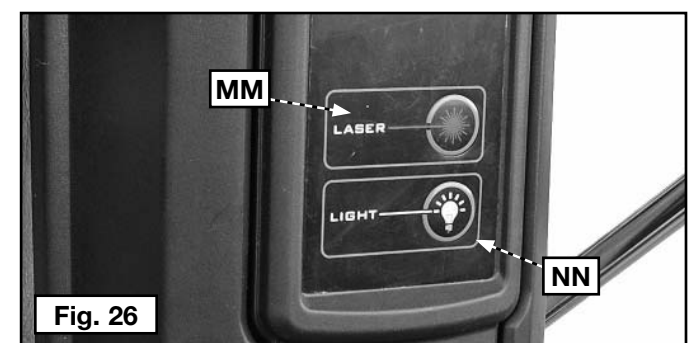
**▲ AVERTISSEMENT :** En cas de panne d'électricité (telle un disjoncteur désarmé ou un fusible grillé), toujours déplacer l'interrupteur en position de « OFF » (ARRÊT) jusqu'à ce que l'alimentation soit rétablie.

**IMPORTANT :** après utilisation, verrouiller systématiquement l'interrupteur de la machine en position d'arrêt (« OFF ») à l'aide d'un cadenas passé au travers des trous (LL), fig. 25, pour en empêcher toute utilisation non autorisée. Le diamètre minimum de l'arceau devrait être de 5 mm (1/5 po) pour une longueur minimum de 22,2 mm (7/8 po).

#### MISE EN MARCHÉ DE LA LAMPE DE TRAVAIL ET DES LASERS

Appuyez sur le bouton « LASER » (MM), fig. 26, pour allumer ou éteindre les lasers avec réticule en croix.

Appuyez sur le bouton « LIGHT » (NN), fig. 26, pour allumer ou éteindre la lampe de travail DEL.



## RÉGLAGES DE LA TABLE

**⚠ AVERTISSEMENT :** pour réduire tout risque de dommages corporels, arrêter et débrancher l'appareil du secteur avant d'installer ou de retirer tout accessoire, avant tout réglage ou pour faire toute réparation. Tout démarrage accidentel comporte des risques de dommages corporels.

**⚠ ATTENTION:** **RISQUES DE DOMMAGES CORPORELS.** S'assurer qu'il n'y a aucun objet sur la table, et que la pièce à travailler est bien arrimée. Toute chute d'objet pose des risques de dommages corporels.

**Incliner la table, de l'arrière vers l'avant, de zéro (0) à 45 degrés.**

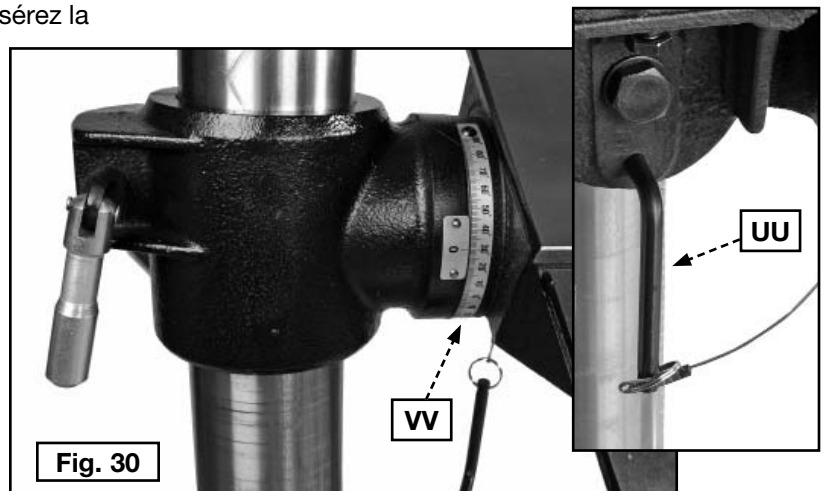
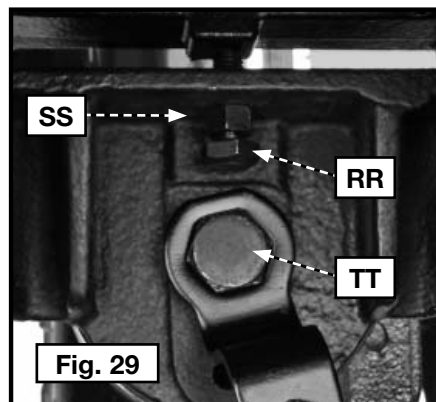
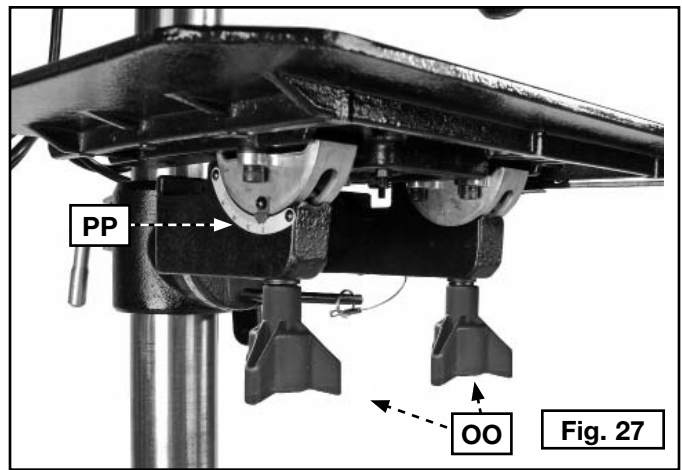
Pour tout ajustement :

1. Desserrez les deux manettes d'inclinaison avant (OO), fig. 27.
2. Réglez la table sur l'angle désiré. La réglette (PP), fig. 27, est située sur le côté du support de table.
3. Resserrez les manettes (OO), fig. 27.
4. La table est équipée d'une vis de butée fixe (QQ), fig. 28, pour la ramener sur la position zéro. Ajustez cette butée en tournant la tête hexagonale de la vis de butée (RR), fig. 29, sous la table. Resserrez le contre-écrou (SS), fig. 29, pour arrimer la butée.

**Incliner la table, de la droite vers la gauche, de zéro (0) à 90 degrés**

Un doigt d'indexage est inclus pour la position à 0 degré de la table. Pour tout ajustement :

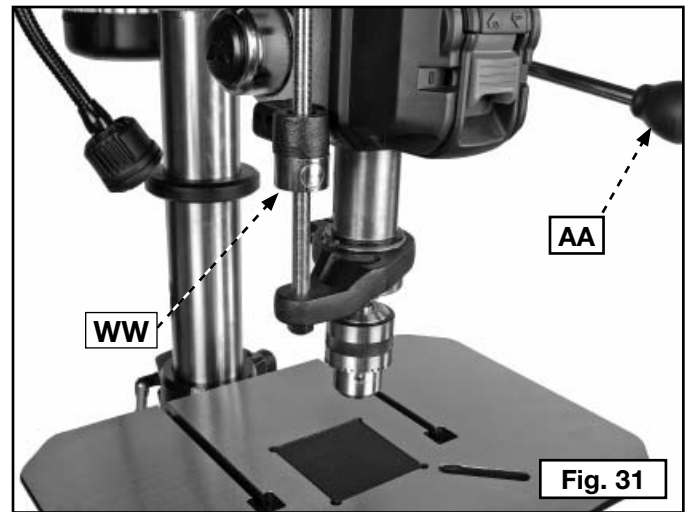
1. Desserrez d'environ un quart de tour le boulon de table (TT), fig. 29, à l'aide de la clé de serrage fournie à cet effet (fig. 29).
2. Retirez la doigt d'indexage (UU), fig. 30 (encadré).
3. Faites pivoter la table sur l'angle désiré. La réglette d'inclinaison (VV), fig. 30, est située sur l'articulation à l'arrière de la table. Utilisez cette réglette pour plus de précision.
4. Resserrez le boulon de table (TT), fig. 29.
5. Lorsque vous retournez la table sur zéro, réinsérez la doigt d'indexage (UU), fig. 30 (encadré).



## ÉLEVER ET ABAISSER LA BROCHE

**▲ AVERTISSEMENT :** Pour réduire tout risque de dommages corporels, arrêter et débrancher l'appareil du secteur avant d'installer ou de retirer tout accessoire, avant tout réglage ou pour faire toute réparation. Tout démarrage accidentel comporte des risques de dommages corporels.

Élevez ou abaissez la broche à l'aide des manettes de pignon (AA), fig. 31. Vous pouvez verrouiller le fourreau à tout point sur son chemin en positionnant l'écrou de blocage (WW) contre la butée. Pour positionner l'écrou, appuyez sur le bouton et faites-le glisser le long de la tige taraudée.



## RÉGLAGE DU RESSORT DE RAPPEL DE LA BROCHE

La broche retournera automatiquement lentement sur sa position supérieure une fois la poignée relâchée. Cependant, si un réglage s'avérait nécessaire :

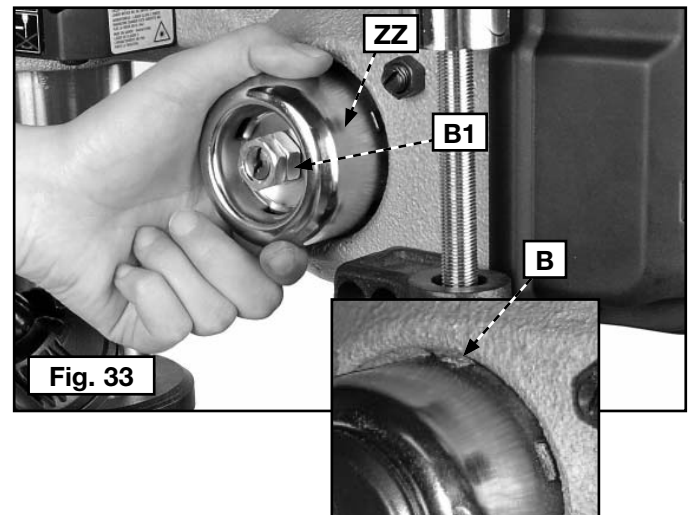
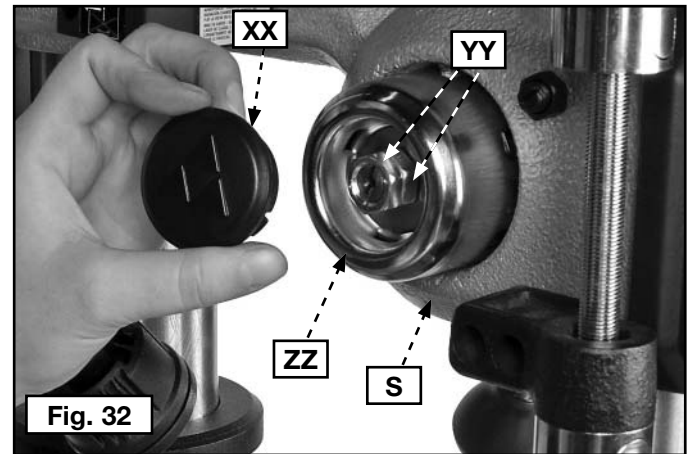
**▲ AVERTISSEMENT :** pour réduire tout risque de dommages corporels, arrêter et débrancher l'appareil du secteur avant d'installer ou de retirer tout accessoire, avant tout réglage ou pour faire toute réparation. Tout démarrage accidentel comporte des risques de dommages corporels.

1. Retirez le capuchon en plastique (XX), fig. 32.
2. Dévissez les écrous (YY) sans les retirer. Assurez-vous que le logement du ressort (ZZ) reste en contact avec la tête de moulage (S).
3. Tout en maintenant fermement le logement du ressort (fig. 33), tirez-le et faites-le tourner (vers la gauche pour accroître, et vers la droite pour diminuer) jusqu'à ce qu'il s'enclenche (B) sur l'encoche suivante du logement. Resserrez les deux écrous (YY), fig. 32, pour verrouiller le logement en place.

**IMPORTANT :** l'écrou interne (B1), fig. 33, ne devrait pas toucher le logement du ressort (ZZ), fig. 33.

4. Remettez le capuchon en plastique.

**▲ AVERTISSEMENT :** **RISQUES DE DOMMAGES CORPORELS.** Attention à ne pas libérer le logement du ressort pendant le réglage de tension de celui-ci, car la tension du ressort pourrait faire brusquement tourner le logement.



## VÉRIFICATION DU RÉGLAGE LASER

**⚠ AVERTISSEMENT :** pour réduire tout risque de dommages corporels, arrêter et débrancher l'appareil du secteur avant d'installer ou de retirer tout accessoire, avant tout réglage ou pour faire toute réparation. Tout démarrage accidentel comporte des risques de dommages corporels.

**⚠ AVERTISSEMENT :** LUMIÈRE LASER. Ne pas fixer le faisceau des yeux, ni l'ouverture ni aucun reflet du faisceau renvoyé par une surface réfléchissante.

L'alignement du laser a été préréglé d'usine. Si nécessaire, l'alignement peut être ajusté en suivant le processus ci-après :

**Pour vérifier si les lasers sont bien perpendiculaires à la table, veuillez suivre la procédure ci-après :**

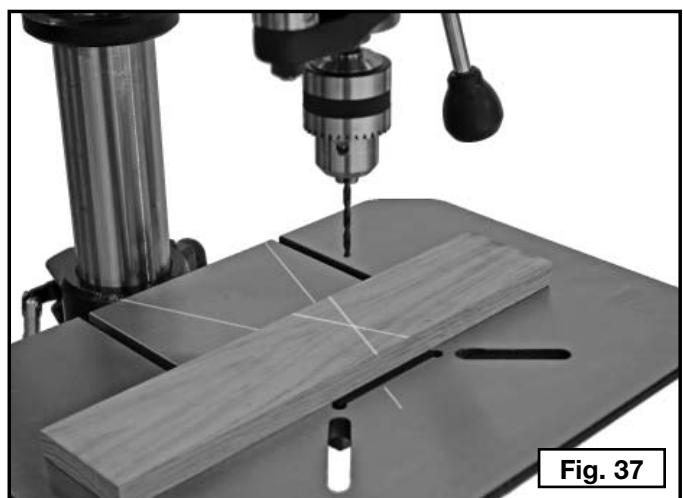
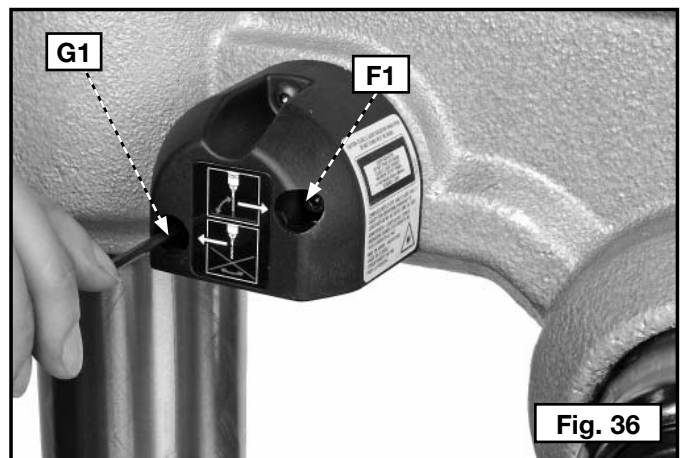
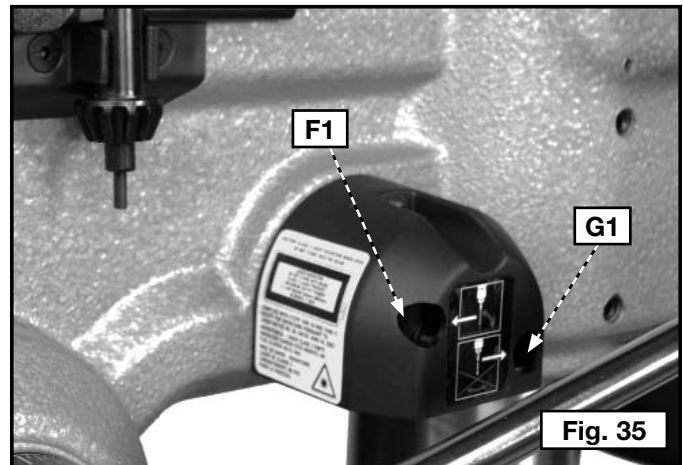
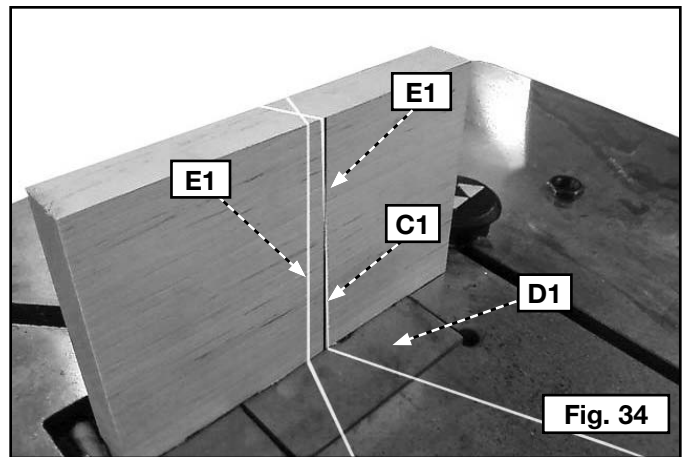
1. À l'aide d'une équerre de charpentier ou tout instrument similaire, dessinez une ligne droite (C1) fig. 34, sur un morceau de bois.
2. Placez le morceau de bois sur son côté, comme illustré en fig. 34, avec la ligne à l'arrière de la perceuse à colonne. Assurez-vous que le morceau de bois est bien placé au milieu de la plaquette (D1) fig. 34, comme illustré.
3. Allumez le laser de façon à ce que les lignes rouges éclairent le bois, comme illustré. Vérifiez si les deux lignes rouges (E1), fig. 34, sont parallèles à la ligne (C1) que vous avez dessinée.

**Si ce n'est pas le cas :**

1. À l'aide de la clé hexagonale fournie, tournez la vis avant (F1), fig. 35, sur la nacelle droite du laser jusqu'à ce que la ligne rouge soit parallèle à la ligne dessinée sur le morceau de bois.
2. Répétez cette opération avec la nacelle gauche du laser et sa ligne, à l'aide de la vis avant (F1), fig. 36.

**Pour vérifier que les lasers se croisent au point de perçage :**

1. Posez le bois à plat sur la table (comme illustré en fig. 37) et assurez-vous qu'il ne bougera pas.
2. Alors que la machine est à l'arrêt et munie d'une petite mèche, abaissez la mèche et faites une marque sur le bois.
3. Pour les deux lasers, utilisez la même clé hexagonale insérée dans la vis arrière (G1), fig. 35 et 36, pour faire tourner les lasers jusqu'à ce qu'ils se croisent sur la marque, comme illustré en figure 37.



## VITESSE DE LA BROCHE

Il existe seize vitesses de broche sur la perceuse à colonne. La figure 38 illustre les positions de courroie avec leur vitesse correspondante.

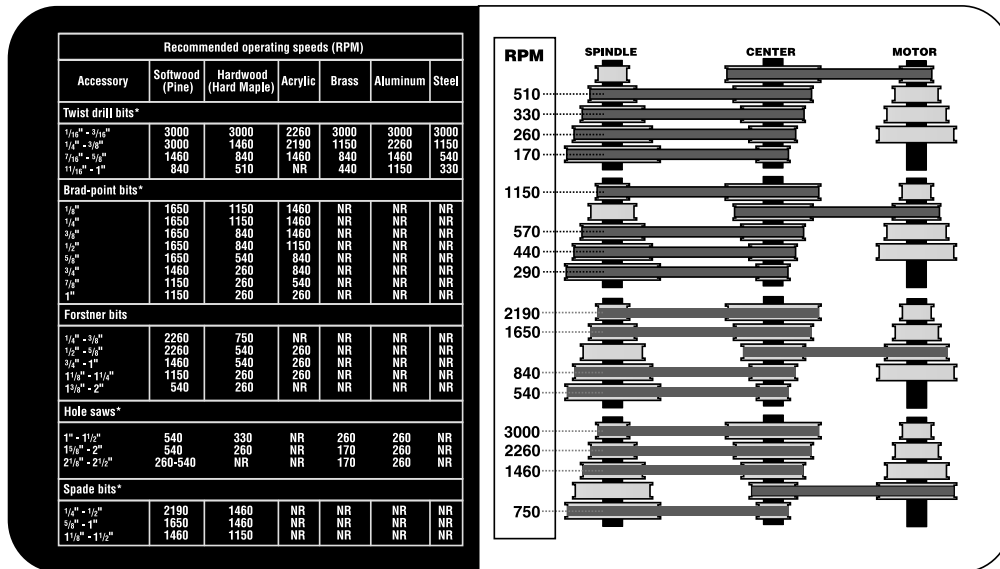


Fig. 38

Le tableau ci-dessous indique également quelle vitesse utiliser avec certains matériaux et tailles de mèches. Vitesses de fonctionnement recommandées (en tours par minute, ou tr/min).

ACCESSOIRE	MATÉRIAU					
	BOIS TENDRE	BOIS DUR	ACRYLIQUE	LAITON	ALUMINIUM	ACIER
<b>MÈCHES HÉLICOÏDALES</b>						
1.5-5 mm (1/16-3/16 po)	3000	3000	2260	3000	3000	3000
6.4-9.5 mm (1/4-3/8 po)	3000	1460	2190	1150	2260	1150
11-16 mm (7/16-5/8 po)	1460	840	1460	840	1460	540
17-25.4 mm (11/16-1 po)	840	510	NR	440	1150	330
<b>MÈCHES À TÊTE DE DIAMANT</b>						
3.18 mm (1/8 po)	1650	1150	1460	NR	NR	NR
6.4 mm (1/4 po)	1650	1150	1460	NR	NR	NR
9.5 mm (3/8 po)	1650	840	1460	NR	NR	NR
12.7 mm (1/2 po)	1650	840	1150	NR	NR	NR
15.9 mm (5/8 po)	1650	540	840	NR	NR	NR
19 mm (3/4 po)	1460	260	840	NR	NR	NR
22.2 mm (7/8 po)	1150	260	540	NR	NR	NR
25.4 mm (1 po)	1150	260	260	NR	NR	NR
<b>MÈCHES EMPORTE-PIÈCE</b>						
6.4-9.5 mm (1/4-3/8 po)	2260	750	NR	NR	NR	NR
12.7-15.9 mm (1/2-5/8 po)	2260	540	260	NR	NR	NR
19-25.4 mm (3/4-1 po)	1460	540	260	NR	NR	NR
28.6-31.8 mm (1-1/8-1-1/4 po)	1150	260	260	NR	NR	NR
35-50.8 mm (1-3/8-2 po)	540	260	NR	NR	NR	NR
<b>EMPORTE-PIÈCE</b>						
25.4-38.1 mm (1-1-1/2 po)	540	330	NR	260	260	NR
41.3-50.8 mm (1-5/8-2 po)	540	260	NR	170	260	NR
54-63.5 mm (2-1/8-2-1/2 po)	260-540	NR	NR	170	260	NR
<b>FORETS À TROIS POINTES</b>						
6.4-12.7 mm (1/4-1/2 po)	2190	1460	NR	NR	NR	NR
15.9-25.4 mm (5/8-1 po)	1650	1460	NR	NR	NR	NR
35-38.1 mm (1-1/8-1-1/2 po)	1460	1150	NR	NR	NR	NR

NR - NON RECOMMANDÉ / NO RECOMENDADO

## CHANGEMENT DE VITESSE ET RÉGLAGE DE LA TENSION DE COURROIE

**⚠ AVERTISSEMENT :** pour réduire tout risque de dommages corporels, arrêter et débrancher l'appareil du secteur avant d'installer ou de retirer tout accessoire, avant tout réglage ou pour faire toute réparation. Tout démarrage accidentel comporte des risques de dommages corporels.

**REMARQUE :** il existe seize vitesses de broche sur la perceuse à colonne. Un tableau des vitesses et de la position de courroie correspondante est à votre disposition sur l'intérieur du couvercle de la perceuse à colonne.

1. Soulevez le couvercle (H1), fig. 39.
2. Déplacez la manette de tension de courroie (I1) fig. 39, vers le haut à droite et amarrez le crochet (J1) fig. 39 (encadré), pour maintenir le bras de tension en place.
3. Choisissez la vitesse appropriée à l'outil que vous utilisez et positionnez les courroies sur les poulies en conséquence. Reportez-vous au tableau (fig. 38) à l'intérieur du couvercle de la tête de la perceuse à colonne.
4. **REMARQUE :** les courroies comportent des rainures, aussi assurez-vous que ces rainures cadrent avec les rainures de poulie.
5. Relevez la poignée et déplacez-la vers la gauche (comme illustré en fig. 40) jusqu'à ce que le bras de tension de courroie (K1) s'appuie sur les courroies.

**REMARQUE :** ne pas forcer la poignée plus à gauche. Elle est réglée sur la tension adéquate pour les courroies.

**REMARQUE :** la figure 41 illustre la bonne position pour la courroie supérieure, avec un petit peu de métal dépassant au-dessus de la courroie noire. La figure 42 illustre une position incorrecte de la courroie supérieure : aucun métal ne dépasse au-dessus de la courroie noire.

## PERÇAGE DE TROUS À LA PROFONDEUR DÉSIRÉE

**⚠ AVERTISSEMENT :** pour réduire tout risque de dommages corporels, arrêter et débrancher l'appareil du secteur avant d'installer ou de retirer tout accessoire, avant tout réglage ou pour faire toute réparation. Tout démarrage accidentel comporte des risques de dommages corporels.

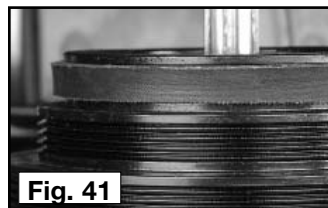
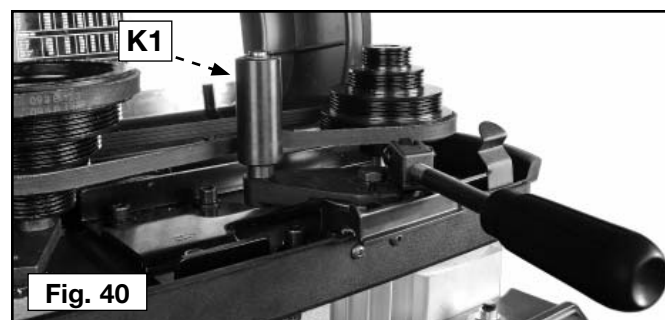
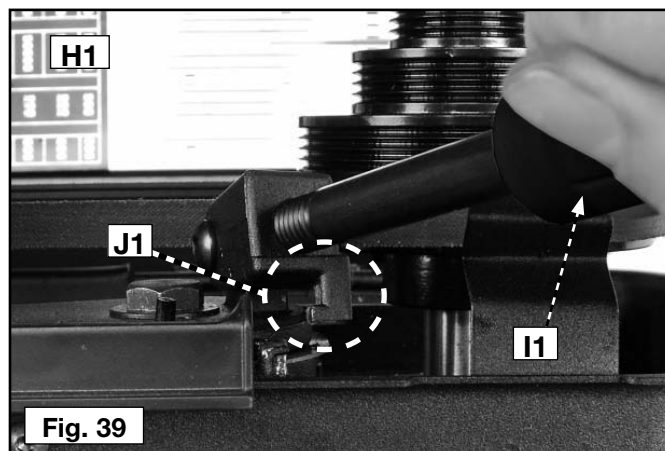
Pour percer un certain nombre de trous à la même profondeur, suivez la procédure ci-après :

### Réglage zéro

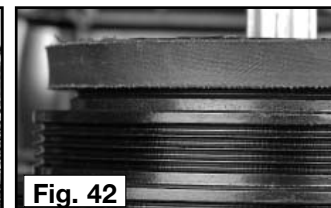
1. Insérez une mèche (L1) dans le mandrin, fig. 43.
2. Abaissez la mèche jusqu'à ce qu'elle touche la pièce à travailler (M1), fig. 43.
3. Montez l'écrou de blocage du fourreau (N1) en appuyant sur le bouton et en le poussant tout contre le dispositif de fixation de la butée de profondeur (O1).
4. Tournez la réglette sur le pignon (P1), fig. 44, sur le repère zéro.

### Réglage de la profondeur

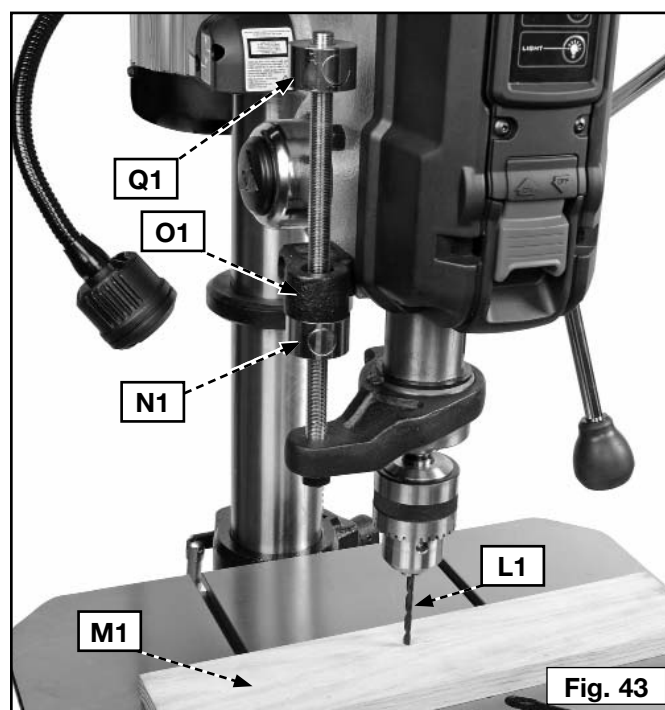
1. Retirez la pièce à travailler puis tournez les manettes de pignon pour abaisser le fourreau sur la profondeur de perçage désirée, comme indiqué par la réglette.



CORRECT



INCORRECT





2. En maintenant le fourreau sur cette profondeur, relevez l'écrou de blocage du fourreau (N1), fig. 43, jusqu'à ce qu'il se trouve contre le dispositif de fixation de la butée de profondeur.
3. Toujours en maintenant la broche, abaissez l'écrou de la butée de profondeur (Q1), fig. 43, tout contre le dispositif de fixation de la butée de profondeur.
4. Rabaissez l'écrou de blocage du fourreau (N1), fig. 43, pour le mettre à l'écart.

**⚠ AVERTISSEMENT :** pour réduire tout risque de dommages corporels, resserrer toutes les manettes de verrouillage avant de démarrer la machine. Une perte de contrôle de la pièce à travailler pourrait occasionner des dommages corporels graves.

5. Branchez la machine sur le secteur, puis percez un trou pilote pour vérifier le réglage. Si nécessaire, réajustez l'ensemble en tournant l'écrou de butée (Q1), fig. 43, pour un réglage de précision. Il n'est pas nécessaire d'appuyer sur le bouton pour tourner l'écrou de butée (Q1).

## UTILISATION DE LA MACHINE

**REMARQUE :** utiliser des mèches d'un diamètre de tige maximum de 5/8 po.

**REMARQUE :** une fois la mèche installée, utiliser la clé fournie à cet effet pour resserrer les trois positions sur le mandrin.

**⚠ AVERTISSEMENT :** pour réduire tout risque de dommages corporels, resserrer toutes les manettes de verrouillage avant de démarrer la machine. Une perte de contrôle de la pièce à travailler pourrait occasionner des dommages corporels graves.

**⚠ AVERTISSEMENT :** pour réduire tout risque de dommages corporels, soutenir soigneusement toute pièce à travailler longue ou large. Une perte de contrôle de la pièce à travailler pourrait occasionner des dommages corporels graves.

**⚠ AVERTISSEMENT :** pour réduire tout risque de dommages corporels, ne pas poser de poids supérieur à 250 livres (113 kg) sur la table.

**⚠ AVERTISSEMENT :** l'utilisation de tout accessoire non recommandé par Delta pose des risques de dommages corporels.

**IMPORTANT :** si la pièce à travailler (M1), fig. 45, est assez longue, la positionner sur la table avec l'une de ses extrémités contre le côté gauche de la colonne (R1) pour l'empêcher de pivoter. S'il est impossible d'adosser la pièce contre la colonne, arrimez-la à la table.

## INSTALLATION ET RETRAIT DE MÈCHE

**REMARQUE :** utiliser des mèches d'un diamètre de tige maximum de 5/8 po.

**⚠ AVERTISSEMENT :** pour réduire tout risque de dommages corporels, arrêter et débrancher l'appareil du secteur avant d'installer ou de retirer tout accessoire, avant tout réglage ou pour faire toute réparation. Tout démarrage accidentel comporte des risques de dommages corporels.

1. Insérez à fond la partie lisse de la mèche (L1), fig. 46, dans le mandrin (S1), puis ressortez la mèche de 1/16 po (1.6 mm) (ou jusqu'au début des cannelures pour les petites mèches).
2. Centrez la mèche (L1), fig. 46, dans le mandrin (S1) avant de resserrer le mandrin avec la clé (T1).
3. Tournez la clé de mandrin (T1), fig. 46, vers la droite pour resserrer et vers la gauche pour desserrer les mâchoires du mandrin.
4. Resserrez les trois mâchoires du mandrin juste assez pour assurer que la mèche ne glisse pas.

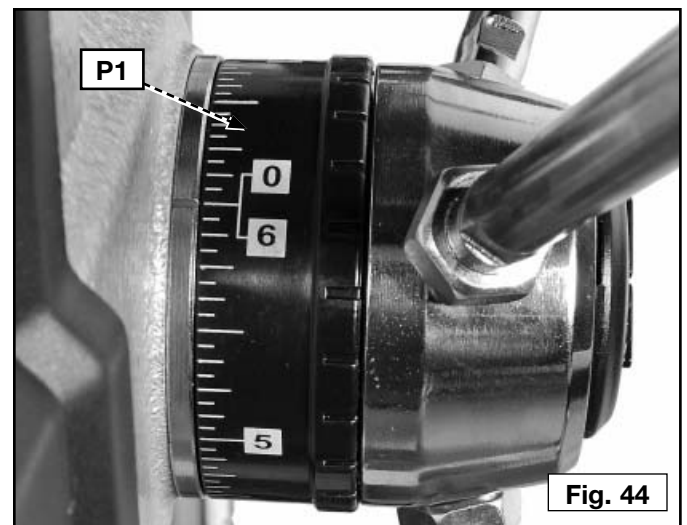


Fig. 44

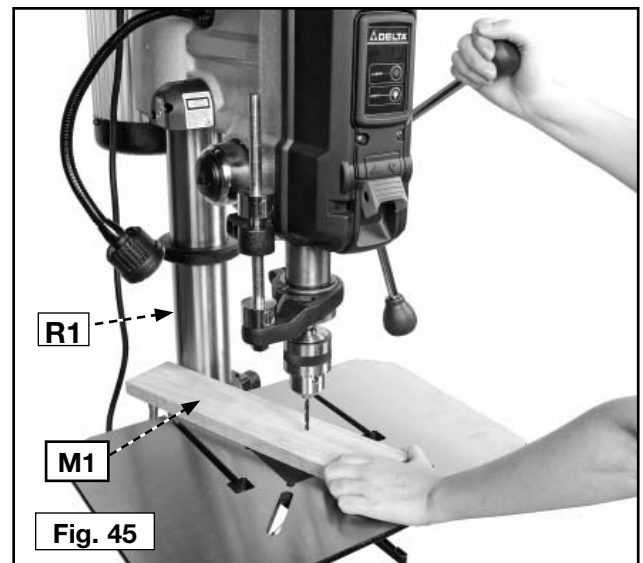


Fig. 45

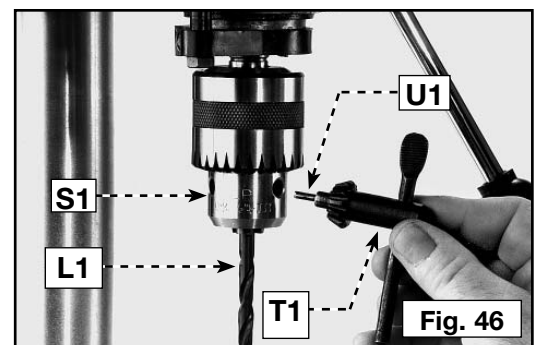


Fig. 46

5. Retirez la clé de mandrin (T1), fig. 46, de celui-ci avant de démarrer la perceuse à colonne. La clé de mandrin est équipée d'une goupille auto-éjectante (U1) qui permet de minimiser les risques d'oublier la clé dans le mandrin.

## RETRAIT DU MANDRIN ET DE L'ADAPTATEUR DE BROCHE

**▲ AVERTISSEMENT :** pour réduire tout risque de dommages corporels, arrêter et débrancher l'appareil du secteur avant d'installer ou de retirer tout accessoire, avant tout réglage ou pour faire toute réparation. Tout démarrage accidentel comporte des risques de dommages corporels.

L'adaptateur de broche et le mandrin peuvent être retirés pour pouvoir utiliser des tiges à cône Morse n°2.

1. Alignez la rainure sur le fourreau (V1), fig. 47, sur l'encoche de la broche (W1).
2. Insérez le chasse-clé (X1), fig. 48, dans la rainure sur le fourreau et la rainure sur la broche.
3. Tapotez le chasse-clé (X1), fig. 48, avec un marteau jusqu'à ce que l'adaptateur de broche et le mandrin sortent du fourreau.

## VITESSES ADÉQUATES DE PERÇAGE

Les facteurs déterminant la vitesse adéquate sont : 1) la pièce à travailler, 2) la taille du trou, 3) le type de mèche ou autre fraise, et 4) la qualité de coupe.

**▲ AVERTISSEMENT :** utiliser la vitesse recommandée pour la mèche de la perceuse à colonne et la pièce à travailler.

## PERÇAGE DU BOIS

**▲ AVERTISSEMENT :** pour réduire tout risque de dommages corporels, resserrer toutes les manettes de verrouillage avant de démarrer la machine. Une perte de contrôle de la pièce à travailler pourrait occasionner des dommages corporels graves.

Les mèches hélicoïdales, conçues habituellement pour le perçage du métal, peuvent également être utilisées pour percer le bois. Cependant, des mèches emporte-pièce sont en général préférées pour travailler le bois. Ces mèches percent un trou à fond plat et sont conçues pour éliminer la sciure du bois. N'utilisez pas de mèches manuelles (à embout vissable), à la vitesse des perceuses à colonne, elles soulèveraient et feraient pivoter la pièce à travailler.

Pour percer complètement une pièce, alignez celle-ci de façon à ce que la mèche la traverse dans le trou au centre de la table. Tracez une ligne verticale à l'avant de la colonne et une ligne identique sur le dispositif de fixation de la table et la tête de la perceuse à colonne, de façon à ce que la table et la tête de la perceuse à colonne puissent être arrimées au centre, quelle que soit la hauteur.

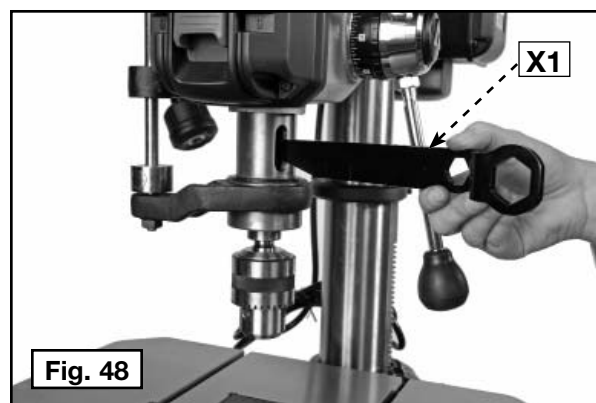
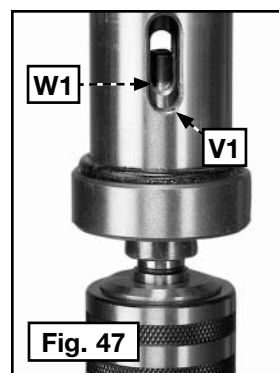
Alimentez la mèche lentement dans la pièce à travailler alors qu'elle va traverser le bois pour éviter que l'envers n'éclate. Utiliser une chute de bois comme base sous le travail réduira tout éclatement et protégera le point de sortie de la mèche.

## PERÇAGE DU MÉTAL

**▲ AVERTISSEMENT :** pour réduire tout risque de dommages corporels, resserrer toutes les manettes de verrouillage avant de démarrer la machine. Une perte de contrôle de la pièce à travailler pourrait occasionner des dommages corporels graves.

Utiliser des colliers de serrage pour arrimer la pièce. Ne jamais maintenir une pièce à mains nues. La mèche pourrait agripper la pièce à tout moment, particulièrement lorsqu'elle traverse la pièce, et causer des dommages matériels ou corporels. La mèche se brisera si la pièce à travailler heurte la colonne.

Arrimez fermement la pièce. Toute déclivité, torsion ou tout mouvement pourrait résulter non seulement en un trou grossier, mais pourrait aussi briser la mèche. Pour un travail à plat, posez la pièce à travailler sur une base en bois et arrimez-la fermement contre la table pour prévenir tout mouvement. Si la pièce est de forme irrégulière et ne peut être posée à plat sur la table, arrimez ou bloquez-la fermement.



# DEPANNAGE

Pour l'assistance avec votre outil, visiter notre site web à [www.deltaportercable.com](http://www.deltaportercable.com) pour une liste de centres de maintenance ou appeler la ligne d'aide de DELTA Machinery à 1-800-223-7278. (Canada: 1-800-463-3582).

# ENTRETIEN

**▲ AVERTISSEMENT :** Pour réduire le risque de blessures corporelles graves, éteindre l'outil et le débrancher avant d'installer et de retirer tout accessoire, avant d'ajuster ou de modifier les réglages ou lors de réparations. Un démarrage accidentel peut provoquer des blessures.

## GARDER LA MACHINE PROPRE

Dégager régulièrement toutes les conduites d'air avec de l'air comprimé sec. Toutes les pièces en plastique doivent être nettoyées à l'aide d'un chiffon doux humide. NE JAMAIS utiliser de solvants pour nettoyer les pièces en plastique. Les solvants peuvent dissoudre ou endommager le matériel.

**▲ AVERTISSEMENT :** Porter des protections oculaire et auditive homologuées et utiliser un appareil respiratoire lors de l'utilisation d'air comprimé.

## DÉMARRAGE IMPOSSIBLE

Si la machine ne démarre pas, s'assurer que les lames de la fiche du cordon d'alimentation sont bien enfoncées dans la prise de courant. Vérifier également que les fusibles ne sont pas grillés ou que le disjoncteur ne s'est pas déclenché.

## LUBRIFICATION ET PROTECTION CONTRE LA ROUILLE

Appliquer chaque semaine une cire à parquets d'usage domestique sur la table de la machine, sur la rallonge de table ou toute autre surface de travail. Ou utiliser un produit protecteur commercial conçu à cet effet. Suivre les directives du fabricant pour l'utilisation et la sécurité.

Pour enlever la rouille des tables en fonte, le matériel suivant est nécessaire : un tampon débourbeur de taille moyenne, du lubrifiant en aérosol et un contenant de produit dégraissant. Appliquer le lubrifiant en aérosol et polir la surface de la table avec le tampon débourbeur. Dégraisser la table, puis appliquer le produit protecteur selon les indications ci-dessus.

## VÉRIFICATION DES COURROIES

Vérifiez occasionnellement les courroies et remplacez-les si nécessaire.

## VÉRIFICATION DES BOULONS

Occasionnellement, retirez le boulon de fixation de l'articulation (K), fig. 49, et le boulon de fixation de table (T), fig. 50, puis éliminez toute poussière ou autre contaminant. Assurez-vous aussi de nettoyer toute poussière ou autre contaminant du trou à l'aide d'une petite brosse (comme une vieille brosse à dents).

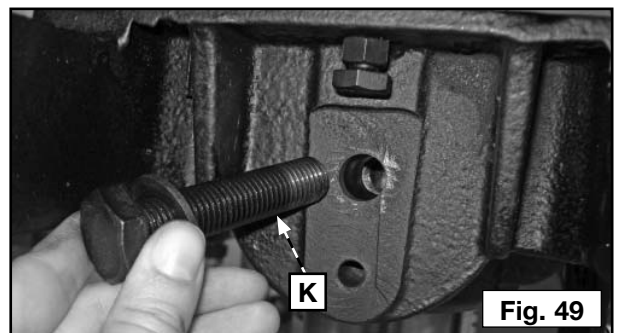


Fig. 49

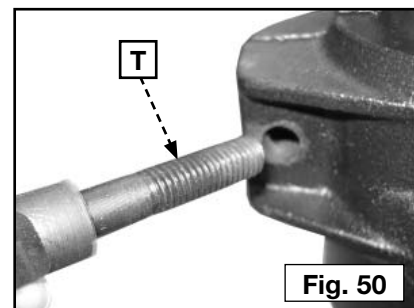


Fig. 50

# SERVICE

## PIÈCES DE RECHANGE

Utiliser seulement des pièces de rechange identiques. Pour obtenir une liste des pièces de rechange ou pour en commander, consulter notre site Web au [www.deltaportercableservice.net](http://www.deltaportercableservice.net). Il est aussi possible de commander des pièces auprès d'une succursale d'usine ou un centre de réparation sous garantie autorisé ou en communiquant avec le service à la clientèle au 800-223-7278 pour recevoir un soutien personnalisé de l'un de nos représentants bien formés.

## REPLACEMENT GRATUIT DE L'ÉTIQUETTE

Si vos étiquettes d'avertissement deviennent illisibles ou sont manquantes, composez le 1-800-223-7278 pour obtenir une étiquette de remplacement gratuite.

## ENTRETIEN ET RÉPARATION

Tous les outils de qualité finissent par demander un entretien ou un changement de pièce. Pour de plus amples renseignements à propos de DELTA Machinery, ses succursales d'usine ou pour trouver un centre de réparation sous garantie autorisé, consulter notre site Web au [www.deltaportercable.com](http://www.deltaportercable.com) ou communiquer avec notre service à la clientèle au 800-223-7278. Toutes les réparations effectuées dans nos centres de réparation sont entièrement garanties contre les défauts de matériaux et de main-d'œuvre. Nous ne pouvons garantir les réparations effectuées en partie ou totalement par d'autres. En composant ce numéro à toute heure du jour ou de la nuit, il est également possible de trouver les réponses aux questions les plus courantes.

Pour de plus amples renseignements, écrire également à DELTA Machinery, 4825 Highway 45 North, Jackson, TN 38305., É.-U. - à l'attention de : End User Services. S'assurer d'indiquer toutes les informations figurant sur la plaque signalétique de l'outil (numéro du modèle, type, numéro de série, code de date, etc.).

## ACCESSOIRES

**▲ AVERTISSEMENT :** Depuis des accessoires autre que ceux offerts par Porter-Cable•DELTA n'ont pas été testés avec ce produit, utilisation de tels accessoires a pu être dangereux. Pour réduire tout risque de dommages corporels, seulement Porter-Cable•DELTA a recommandé des accessoires devrait être utilisé avec ce produit.

Une ligne complète des accessoires est fournie des centres commerciaux d'usine de par votre de Porter-Cable•DELTA fournisseur, de Porter-Cable•DELTA, et des stations service autorisées par Porter-Cable. Veuillez visiter notre site Web [www.deltaportercable.com](http://www.deltaportercable.com) pour un catalogue ou pour le nom de votre fournisseur plus proche.



## GARANTIE

Pour enregistrer votre outil pour la garantie service la visite notre site Web à [www.deltaportercable.com](http://www.deltaportercable.com).

### Garantie limitée de cinq ans

DELTA réparera ou remplacera, à ses frais et à sa discrétion, toute nouvelle machine DELTA, pièce de rechange ou tout accessoire qui, dans des circonstances d'utilisation normale, s'est avéré défectueux en raison de défauts de matériau ou de fabrication, à condition que le client retourne le produit (transport payé d'avance) au centre de réparation de l'usine DELTA ou à un centre de réparation autorisé accompagné d'une preuve d'achat et dans les cinq ans de la date d'achat du produit, et fournisse à DELTA une opportunité raisonnable de vérifier le défaut présumé par une inspection. La période de garantie des produits DELTA réusinés est de 180 jours. DELTA ne peut être tenu pour responsable des défauts résultants de l'usure normale, de la mauvaise utilisation, de l'abus, de la réparation ou de la modification du produit, sauf en cas d'autorisation spécifique d'un centre de réparation ou d'un représentant DELTA autorisé. En aucune circonstance DELTA ne peut être tenu pour responsable des dommages accidentels ou indirects résultant d'un produit défectueux. Certains États ou provinces ne permettent pas l'exclusion ou la restriction de dommages accessoires ou indirects, auquel cas, les exclusions ou limitations ci-dessus pourraient ne pas être applicables. Cette garantie constitue la seule garantie de DELTA et le recours exclusif des clients en ce qui concerne les produits défectueux ; toutes les autres garanties, expressées ou implicites, de qualité marchande, d'adéquation à un usage particulier, ou autre, sont expressément déclinées par DELTA. Pour obtenir de plus amples renseignements sur les pièces ou les réparations couvertes par la présente garantie, visiter le site [www.deltaportercable.com](http://www.deltaportercable.com) ou composer le (888) 848-5175. Cette garantie confère des droits légaux particuliers à l'acheteur, mais celui-ci pourrait aussi bénéficier d'autres droits variant d'un état ou d'une province à l'autre.

**AMÉRIQUE LATINE :** Cette garantie ne s'applique aux produits vendus en Amérique latine. Pour ceux-ci, veuillez consulter les informations relatives à la garantie spécifique présente dans l'emballage, appeler l'entreprise locale ou consulter le site Web pour les informations relatives à cette garantie.

# INSTRUCCIONES DE SEGURIDAD IMPORTANTES

**▲ ADVERTENCIA:** Lea a todas advertencias y las instrucciones operadoras antes de utilizar cualquier instrumento o el equipo. Cuando se usa instrumentos o equipo, las precauciones básicas de la seguridad siempre se deben seguir para reducir el riesgo de la herida personal. La operación impropia, la conservación o la modificación de instrumentos o equipo podrían tener como resultado el daño grave de la herida y la propiedad. Hay ciertas aplicaciones para que equipas con herramienta y el equipo se diseña. Este producto **NO** debería ser modificado ni utilizado para aplicaciones para las cuales no fue diseñado.



Si usted tiene cualquiera pregunta el pariente a su aplicación no utiliza el producto hasta que usted haya escrito DELTA Machinery y nosotros lo hemos aconsejado. La forma en línea del contacto en [www.deltaportercable.com](http://www.deltaportercable.com) o por correo Technical Service Manager, DELTA Machinery, 4825 Highway 45 North, Jackson, TN 38305. En Canada, 125 Mural St. Suite 300, Richmond Hill, ON, L4B 1M4

Información con respecto a la operación segura y apropiada de este instrumento está disponible de las fuentes siguientes:

- Power Tool Institute, 1300 Sumner Avenue, Cleveland, OH 44115-2851 o en línea [www.powertoolinstitute.org](http://www.powertoolinstitute.org)
- National Safety Council, 1121 Spring Lake Drive, Itasca, IL 60143-3201
- American National Standards Institute, 25 West 43rd Street, 4 floor, New York, NY 10036 [www.ansi.org](http://www.ansi.org) - ANSI 01.1 Safety Requirements for Woodworking Machines
- U.S. Department of Labor regulations [www.osha.gov](http://www.osha.gov)

**GUARDE ESTAS INSTRUCCIONES!**

## PAUTAS DE SEGURIDAD/DEFINICIONES

Es importante para usted leer y entender este manual. La información que lo contiene relaciona a proteger SU SEGURIDAD y PREVENIR los PROBLEMAS. Los símbolos debajo de son utilizados para ayudarlo a reconocer esta información.

**▲ PELIGRO:** indica una situación de peligro inminente que, si no se evita, **provocará la muerte o lesiones graves.**

**▲ ADVERTENCIA:** indica una situación de peligro potencial que, si no se evita, **podría provocar la muerte o lesiones graves.**

**▲ ATENCIÓN:** indica una situación de peligro potencial que, si no se evita, **puede provocar lesiones leves o moderadas.**

**AVISO:** se refiere a una práctica **no relacionada a lesiones corporales** que de no evitarse **puede resultar en daños a la propiedad.**

**▲ ADVERTENCIA:** Algunos tipos de polvo, como aquellos generados por el lijado, serruchado, pulido y taladrado mecánico y otras actividades de construcción, contienen químicos que según el Estado de California se sabe causan cáncer, defectos de nacimiento y otros daños reproductivos. Algunos ejemplos de estos químicos son:

- Plomo proveniente de pinturas a base de plomo,
- óxido de silicio procedente de ladrillos, cemento y otros productos de mampostería, y
- arsénico y cromo provenientes de maderas tratadas con químicos (arseniato de cobre cromado-ACC).

El peligro derivado de la exposición a estos materiales varía en función de la frecuencia con que se realice este tipo de trabajo. Para reducir su exposición a estos químicos: trabaje en una zona bien ventilada y llevando equipos de seguridad aprobados, como mascarillas antipolvo especialmente diseñadas para filtrar partículas microscópicas.

# NORMAS GENERALES DE SEGURIDAD

**⚠ ADVERTENCIA:** Si no se siguen estas normas, el resultado podría ser lesiones graves.

- 1. Para su propia seguridad, lea el manual de instrucciones antes de utilizar la máquina.** Al aprender la aplicación, las limitaciones y los peligros específicos de la máquina, se minimizará enormemente la posibilidad de accidentes y lesiones.
- 2. Use protección de los ojos y de la audición. Use siempre anteojos de seguridad.** Los lentes de uso diario no son anteojos de seguridad. Use equipo de seguridad certificado. El equipo de protección de los ojos debe cumplir con las normas ANSI Z87.1. El equipo de protección de la audición debe cumplir con las normas ANSI S3.19.
- 3. Use indumentaria adecuada.** No use ropa holgada, guantes, corbatas, anillos, pulseras u otras joyas que podrían engancharse en las piezas móviles. Se recomienda usar calzado antideslizante. Use una cubierta protectora del pelo para sujetar el pelo largo.
- 4. No utilice la máquina en un entorno peligroso.** La utilización de herramientas mecánicas en lugares húmedos o mojados, o en la lluvia, puede causar descargas eléctricas o electrocución. Mantenga bien iluminada el área de trabajo para evitar tropezar o poner en peligro los brazos, las manos y los dedos.
- 5. No opere herramientas eléctricas cerca de líquidos inflamables o en atmósferas gaseosas o explosivas.** Los motores e interruptores de estas herramientas originan chispas que pueden encender los vapores.
- 6. Mantenga todas las herramientas y máquinas en condiciones óptimas.** Mantenga las herramientas afiladas y limpias para lograr el mejor y más seguro rendimiento. Siga las instrucciones de lubricación y cambio de accesorios. Las herramientas y las máquinas mal mantenidas pueden dañar más la herramienta o la máquina y/o causar lesiones.
- 7. Compruebe si hay piezas dañadas.** Antes de utilizar la máquina, compruebe si hay piezas dañadas. Compruebe la alineación de las piezas móviles, si las piezas móviles se atascan, si hay piezas rotas y toda otra situación que podría afectar su funcionamiento. Un protector o cualquier otra pieza que presente daños debe repararse o reemplazarse apropiadamente con DELTA o la fábrica autorizó piezas de recambio. Las piezas dañadas pueden causar daños adicionales a la máquina y/o lesiones.
- 8. Mantenga limpia el área de trabajo.** Las áreas y los bancos desordenados invitan a que se produzcan accidentes.
- 9. Mantenga alejados a los niños y a los visitantes.** El taller es un entorno potencialmente peligroso. Los niños y los visitantes pueden sufrir lesiones.
- 10. Reduzca el riesgo de un arranque no intencionado.** Asegúrese de que el interruptor esté en la posición de "APAGADO" antes de enchufar el cable de alimentación. En caso de un apagón, mueva el interruptor a la posición de "APAGADO". Un arranque accidental podría causar lesiones.
- 11. Utilice los protectores.** Asegúrese de que todos los protectores estén colocados en su sitio, sujetos firmemente y funcionando correctamente para prevenir lesiones.
- 12. Quite las llaves de ajuste y de tuerca antes de arrancar la máquina.** Las herramientas, los pedazos de desecho y otros residuos pueden salir despedidos a alta velocidad, causando lesiones.
- 13. Utilice la máquina adecuada.** No fuerce una máquina o un aditamento a hacer un trabajo para el que no se diseñó. El resultado podría ser daños a la máquina y/o lesiones.
- 14. Utilice accesorios recomendados.** La utilización de accesorios y aditamentos no recomendados por delta podría causar daños a la máquina o lesiones al usuario.
- 15. Utilice el cordón de extensión adecuado.** Asegúrese de que el cordón de extensión esté en buenas condiciones. Cuando utilice un cordón de extensión, asegúrese de utilizar un cordón que sea lo suficientemente pesado como para llevar la corriente que su producto tome. Un cordón de tamaño insuficiente causará una caída de la tensión de la línea, lo cual producirá una pérdida de potencia y recalentamiento. Consulte el cuadro de cordones de extensión para obtener el tamaño correcto dependiendo de la longitud del cordón y la capacidad nominal en amperios indicada en la placa de especificaciones. En caso de duda, utilice el próximo calibre más grueso. Cuanto más pequeño sea el número de calibre, más pesado será el cordón.
- 16. Sujete firmemente la pieza de trabajo.** Utilice abrazaderas o un tornillo para sostener el objeto cuando es práctico. La pérdida de control de un objeto puede causar lesión.
- 17. Haga avanzar la pieza de trabajo contra el sentido de rotación de la hoja, el cortador o la superficie abrasiva.** Si la hace avanzar desde el otro sentido, el resultado será que la pieza de trabajo salga despedida a alta velocidad.
- 18. No fuerce la pieza de trabajo sobre la máquina.** El resultado podría ser daños a la máquina y/o lesiones.
- 19. No intente alcanzar demasiado lejos.** Una pérdida del equilibrio puede hacerle caer en una máquina en funcionamiento, causándole lesiones.
- 20. No se suba nunca a la máquina.** Se podrían producir lesiones si la herramienta se inclina o si usted hace contacto accidentalmente con la herramienta de corte.
- 21. No deje nunca desatendida la máquina cuando esté en marcha. Apáguela.** No deje la máquina hasta que ésta se detenga por completo. Un niño o un visitante podría resultar lesionado.
- 22. Apague la máquina (OFF) y desconéctela de la fuente de alimentación antes de instalar o quitar los accesorios, cambiar las cuchillas, o ajustar o cambiar las configuraciones.** Cuando haga reparaciones, asegúrese de mover el interruptor a la posición de apagado (OFF). Un arranque accidental podría causar lesiones.
- 23. Haga su taller a prueba de niños con candados e interruptores maestros o quitando las llaves de arranque.** El arranque accidental de una máquina por un niño o un visitante podría causar lesiones.
- 24. Manténgase alerta, fíjese en lo que está haciendo y use el sentido común. No utilice la máquina cuando esté cansado o bajo la influencia de drogas, alcohol o medica-mentos.** Un momento de distracción mientras se estén utilizando herramientas mecánicas podría causar lesiones.
- 25. ⚠ ADVERTENCIA:** El uso de esta herramienta puede generar y dispersar polvo u otras partículas suspendidas en el aire, incluyendo polvo de madera, polvo de sílice cristalina y polvo de asbesto. Dirija las partículas de modo que se alejen de la cara y del cuerpo. Utilice siempre la herramienta en un área bien ventilada y proporcione un medio apropiado de remoción de polvo. Use un sistema de recolección de polvo en todos los lugares donde sea posible. La exposición al polvo puede causar lesiones respiratorias graves y permanentes u otras lesiones graves y permanentes, incluyendo silicosis (una enfermedad pulmonar grave), cáncer y muerte. Evite aspirar el polvo y evite el contacto prolongado con el polvo. Si se permite que el polvo entre en la boca o en los ojos, o que se deposite en la piel, se puede promover la absorción de material nocivo. Use siempre protección respiratoria aprobada por niosh/osha que se ajuste apropiadamente y sea adecuada para la exposición al polvo, y lávese las áreas expuestas con agua y jabón.

# NORMAS ESPECÍFICAS ADICIONALES DE SEGURIDAD

**▲ ADVERTENCIA** Si no siguen estas normas, el resultado podría ser lesiones personales graves.

1. **NO OPERE ESTA MÁQUINA HASTA** que no esté armada e instalada completamente, según las instrucciones. Una máquina montada de manera incorrecta puede provocar lesiones graves.
2. **SOLICITE EL ASESORAMIENTO** de su supervisor, instructor o alguna persona calificada si no está familiarizado con el funcionamiento de esta máquina. El conocimiento garantiza la seguridad.
3. **RESPETE TODOS LOS CÓDIGOS DE CABLEADO** y las conexiones eléctricas recomendadas para prevenir los riesgos de descargas eléctricas o electrocución.
4. **FIJE LA MÁQUINA EN UNA SUPERFICIE DE APOYO.** La vibración puede hacer que la máquina se deslice, se mueva o se incline.
5. **NUNCA ENCIENDA LA MÁQUINA ANTES DE QUITAR** todos los objetos de la mesa (herramientas, piezas de descarte, etc.). Los desechos pueden ser arrojados a alta velocidad.
6. **NUNCA ENCIENDA LA MÁQUINA** con la broca del taladro, la herramienta de corte o el tambor para lijar apoyado contra la pieza de trabajo. La pérdida del control de la pieza de trabajo puede causar lesiones graves.
7. **BLOQUEE CORRECTAMENTE LA BROCA DEL TALADRO**, la herramienta de corte o el tambor para lijar en el portabrocas antes de operar esta máquina.
8. **RETIRE LA LLAVE DE PORTABROCAS ANTES DE ENCENDER LA MÁQUINA.** La llave de portabrocas puede ser arrojada a alta velocidad.
9. **AJUSTE TODOS LOS MANGOS DE BLOQUEO** antes de encender la máquina. La pérdida del control de la pieza de trabajo puede causar lesiones graves.
10. **USE SOLAMENTE BROCAS PARA TALADRO, HERRAMIENTAS DE CORTE, TAMBORES PARA LIJAR U OTROS ACCESORIOS** con el tamaño de vástago recomendado en el manual de instrucciones. Un accesorio del tamaño incorrecto puede provocar daños en la máquina y/o lesiones graves.
11. **USE SOLAMENTE BROCAS PARA TALADRO, HERRAMIENTAS DE CORTE O TAMBORES PARA LIJAR QUE NO ESTÉN DAÑADOS.** Los elementos dañados pueden generar un mal funcionamiento capaz de ocasionar lesiones.
12. **USE LAS VELOCIDADES RECOMENDADAS PARA TODAS LAS OPERACIONES.** Otras velocidades pueden generar un mal funcionamiento de la máquina y dañarla u ocasionar lesiones graves.
13. **EVITE OPERACIONES Y POSICIONES DE LAS MANOS COMPLICADAS.** Un deslizamiento repentino podría llevar la mano hacia la broca.
14. **MANTENGA LOS BRAZOS, LAS MANOS Y LOS DEDOS** lejos de la broca. Puede provocar lesiones graves en la mano.
15. **SUJETE LA PIEZA DE TRABAJO CON FIRMEZA CONTRA LA MESA.** No intente taladrar una pieza de trabajo cuya superficie plana no esté apoyada contra la mesa y fija con una prensa. Evite que la pieza de trabajo gire; para ello, sujétela con abrazaderas a la mesa o fíjela contra la columna de la prensa de taladro. La pérdida del control de la pieza de trabajo puede causar lesiones graves.
16. **APAGUE LA MÁQUINA Y ESPERE A QUE LA BROCA DEL TALADRO, LA HERRAMIENTA DE CORTE O EL TAMBOR PARA LIJAR** dejen de GIRAR antes de limpiar el área de trabajo, retirar los desechos, retirar o fijar la pieza de trabajo, o cambiar el ángulo de la mesa. Una broca de taladro, herramienta de corte o tambor para lijar en movimiento puede ocasionar lesiones graves.
17. **APOYE ADECUADAMENTE LAS PIEZAS DE TRABAJO LARGAS O ANCHAS.** La pérdida del control de la pieza de trabajo puede causar lesiones graves.
18. **NO PONGA** más de 250 libras de peso en la tabla.
19. **NUNCA REALICE TRABAJOS DE TRAZADO**, armado o instalación en la mesa o área de trabajo cuando la máquina esté en funcionamiento. Puede causar lesiones graves.
20. **APAGUE LA MÁQUINA, DESCONÉCTELA DE LA FUENTE DE ALIMENTACIÓN Y LIMPIE LA MESA O ÁREA DE TRABAJO ANTES DE ABANDONARLA.** Bloquee el interruptor en la posición de "APAGADO" (OFF) para evitar el uso no autorizado. Alguien podría encender la máquina por accidente y esto podría ocasionar lesiones graves.
21. **ENCONTRARÁ INFORMACIÓN ADICIONAL** disponible acerca de la operación correcta y segura de herramientas eléctricas (por ejemplo: un vídeo de seguridad) en el Instituto de Herramientas Eléctricas (Power Tool Institute), 1300 Sumner Avenue, Cleveland, OH 44115-2851 ([www.powertoolinstitute.com](http://www.powertoolinstitute.com)). Además, encontrará información disponible en el Consejo Nacional de Seguridad (National Safety Council), 1121 Spring Lake Drive, Itasca, IL 60143-3201. Remítase a los Requisitos de Seguridad 01.1 para las máquinas de carpintería del Instituto Estadounidense de Normas Nacionales (American National Standards Institute - ANSI) y a las Normas OSHA 1910.213 del Ministerio de Trabajo de los Estados Unidos.

## GUARDE ESTAS INSTRUCCIONES

Refiérase a ellas con frecuencia y utilícelas para adiestrar a otros.

# OTRAS REGLAS DE SEGURIDAD PARA LOS LÁSERS

## INSTRUCCIONES DE SEGURIDAD PARA LÁSERES

- ⚠ ADVERTENCIA:** Lea todas las instrucciones hasta comprenderlas. El incumplimiento con cualquiera de las instrucciones siguientes podría resultar en descarga eléctrica, incendio y/o lesiones corporales graves.
- ⚠ ADVERTENCIA:** Para su seguridad, lea el manual de instrucciones antes de utilizar cualquier accesorio. De no seguir estas advertencias podrían producirse lesiones corporales y graves daños a la herramienta y al accesorio. Cuando realice el mantenimiento de esta herramienta, utilice únicamente repuestos originales.
- ⚠ ADVERTENCIA:** **EXPOSICIÓN A RADIACIÓN LÁSER.** No desarme ni modifique el láser. No contiene piezas que el usuario pueda reparar. Puede resultar en una lesión grave a los ojos.
- ⚠ ADVERTENCIA:** **RADIACIÓN PELIGROSA.** El uso o la modificación de la herramienta para un fin para el que no fue diseñado puede resultar en exposición a niveles peligrosos de radiación.
  - No opere el láser en atmósferas explosivas, como en presencia de líquidos, gases o polvos inflamables. Las herramientas eléctricas producen chispas que pueden inflamar el polvo o los gases.
  - Cuando no esté en uso, almacene el láser fuera del alcance de niños y otras personas no capacitadas para operarlo. Los láseres son peligrosos en manos de usuarios no capacitados.
  - El servicio a la herramienta sólo deber ser realizado por personal de reparación calificado. El servicio o el mantenimiento realizado por personal no calificado puede producir lesiones. Para ubicar el centro de servicio DELTA más cercano a usted, llame al 1-800-223-7278 ó visite [www.deltaportercable.com](http://www.deltaportercable.com) en la Internet.
  - No use herramientas ópticas tales como telescopios o teodolitos para ver el rayo láser. Puede resultar en una lesión grave a los ojos.
  - No fije la vista en el orificio del rayo ni en su reflejo sobre superficies similares a un espejo.
  - No sitúe el láser en una posición que pudiera resultar, ya sea intencionadamente o sin querer, en que alguien mire directamente al rayo láser. Puede resultar en una lesión grave a los ojos.
  - Apague el láser cuando no esté en uso. Si lo deja encendido, aumenta el riesgo de que alguien mire directamente al rayo láser.
  - No desarme el láser o el medio de abastecimiento de corriente eléctrica del mismo. No contiene piezas que el usuario pueda reparar.
  - Nunca modifique el láser. La modificación de la herramienta podría resultar en una exposición peligrosa a radiación láser.
  - No opere el láser en la presencia de niños ni permita que un niño opere el láser. Podría resultar en una lesión grave a los ojos.
  - No quite ni escriba sobre las etiquetas de advertencia. La falta de etiquetas aumenta el riesgo de exposición a una radiación.

**⚠ ADVERTENCIA:** **RADIACIÓN PELIGROSA.** El uso o la modificación de la herramienta para un fin para el que no fue diseñado puede resultar en exposición a niveles peligrosos de radiación.

- La etiqueta de su herramienta puede incluir los siguientes símbolos.
 

V .....	voltios	mW .....	milliwatts
☼ .....	símbolo de advertencia del láser	nm .....	longitud de onda en nanómetros
Illa .....	Láser clase IIIa	II .....	Láser clase II
— — — .....	corriente directa	~ .....	corriente alterna
Hz .....	hercios	W .....	watios

### ETIQUETAS DE ADVERTENCIA

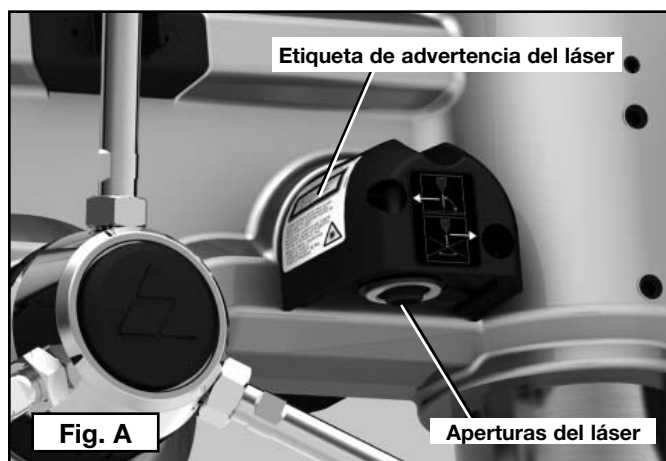
Para su beneficio y seguridad, la siguiente etiqueta se encuentra adherida a su láser:



ESPECIFICACIONES DEL LÁSER	
FUENTE DE LUZ	Diodo láser semiconductor doble
LONGITUD DE ONDA DEL LÁSER	630 nm – 680 nm Visible
POTENCIA DEL LÁSER	<1 mW (cada rayo) PRODUCTO LÁSER DE CLASE II

### APERTURAS DEL LÁSER

La apertura del láser para cada receptáculo del mismo (a ambos lados del cabezal de la prensa de taladro) está ubicada en cada receptáculo como lo muestra la Figura C. Además, la etiqueta de advertencia está ubicada en la prensa de taladro de la siguiente forma:





## CONEXIONES A LA FUENTE DE ALIMENTACIÓN

Debe utilizarse un circuito eléctrico independiente para las máquinas. Un circuito apropiado consiste en una instalación a un cable de AWG12/3 en la que el hilo a tierra está conectado a una masa. El circuito debería estar protegido por un interruptor de circuitos o por un fusible temporizado. **NOTA:** Los fusibles de acción retardada deben estar marcados “D” en Canadá y “T” en EE.UU. Si se utiliza un cordón de extensión, utilice únicamente cordones de extensión de tres alambres que tengan enchufes de tipo de conexión a tierra con tres terminales y un receptáculo coincidente que acepte el enchufe de la máquina. Antes de conectar el máquina a la línea de alimentación, asegúrese de que el interruptor(s) esté en la posición de “APAGADO” y cerciórese de que la corriente eléctrica tenga las mismas características que las que estén indicadas en la máquina. Todas las conexiones a la línea de alimentación deben hacer buen contacto. El funcionamiento a bajo voltaje dañará el máquina.

**▲ PELIGRO:** PELIGRO DE DESCARGA ELÉCTRICA. No exponga la máquina a la lluvia ni la utilice en lugares húmedos.

## ESPECIFICACIONES DEL MOTOR

La máquina está cableada para corriente alterna de 120 V, 60 Hz. Antes de conectar la máquina a la fuente de alimentación, asegúrese de que el interruptor esté en la posición de apagado.

## INSTRUCCIONES DE CONEXIÓN A TIERRA

**▲ PELIGRO:** PELIGRO DE DESCARGA ELÉCTRICA. Esta máquina debe estar conectada a tierra mientras se esté utilizando, para proteger al operador contra las descargas eléctricas.

### 1. Todas las máquinas conectadas con cordón conectadas a tierra:

En caso de mal funcionamiento o avería, la conexión a tierra proporciona una ruta de resistencia mínima para la corriente eléctrica, con el fin de reducir el riesgo de descargas eléctricas. Esta máquina está equipada con un cordón eléctrico que tiene un conductor de conexión a tierra del equipo y un enchufe de conexión a tierra. El enchufe debe enchufarse en un tomacorriente coincidente que esté instalado y conectado a tierra adecuadamente, de acuerdo con todos los códigos y ordenanzas locales.

No modifique el enchufe suministrado. Si el enchufe no cabe en el tomacorriente, haga que un electricista calificado instale el tomacorriente apropiado.

La conexión inapropiada del conductor de conexión a tierra del equipo puede dar como resultado riesgo de descargas eléctricas. El conductor con aislamiento que tiene una superficie exterior de color verde con o sin franjas amarillas es el conductor de conexión a tierra del equipo. Si es necesario reparar o reemplazar el cordón eléctrico o el enchufe, no conecte el conductor de conexión a tierra del equipo a un terminal con corriente.

Consulte a un electricista competente o a personal de servicio calificado si no entiende completamente las instrucciones de conexión a tierra o si tiene dudas en cuanto a si la máquina está conectada a tierra apropiadamente.

Utilice únicamente cordones de extensión de tres alambres que tengan enchufes de tipo de conexión a tierra con tres terminales y receptáculos de tres conductores que acepten el enchufe de la máquina, tal como se muestra en la Fig. B.

Repare o reemplace inmediatamente los cordones dañados o desgastados.

### 2. Máquinas conectadas con cordón conectadas a tierra diseñadas para utilizarse en un circuito de alimentación que tenga una capacidad nominal de menos de 150 V:

Si la máquina está diseñada para utilizarse en un circuito que tenga un tomacorriente parecido al que se ilustra en la Fig. B, la máquina tendrá un enchufe de conexión a tierra que se parece al enchufe ilustrado en la Fig. B. Puede utilizarse un adaptador temporal, que se parece al adaptador ilustrado en la Fig. C, para conectar este enchufe a un receptáculo coincidente de dos conductores, tal como se muestra en la Fig. C, si no se dispone de un tomacorriente conectado a tierra apropiadamente. El adaptador temporal debe utilizarse solamente hasta que un electricista calificado pueda instalar un tomacorriente conectado a tierra apropiadamente. La orejeta, lengüeta, etc., rígida de color verde que sobresale del adaptador debe conectarse a una toma de tierra permanente, como por ejemplo una caja tomacorriente conectada a tierra adecuadamente. Siempre que se utilice un adaptador, debe sujetarse en su sitio con un tornillo de metal.

**NOTA:** En Canadá, el uso de un adaptador temporal no está permitido por el Código Eléctrico Canadiense.

**▲ PELIGRO:** PELIGRO DE DESCARGA ELÉCTRICA. En todos los casos, asegúrese de que el receptáculo en cuestión esté conectado a tierra adecuadamente. Si no está seguro, haga que un electricista calificado compruebe el receptáculo.

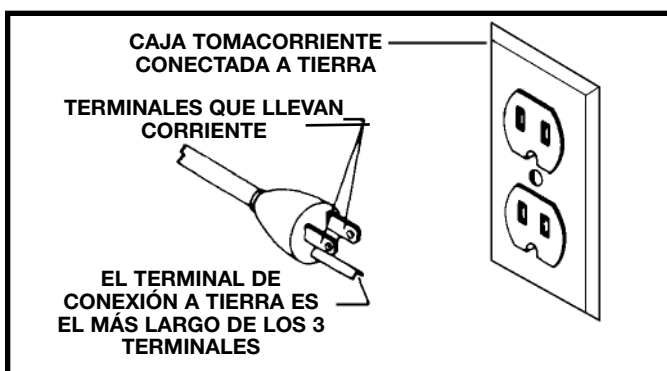


FIG. B

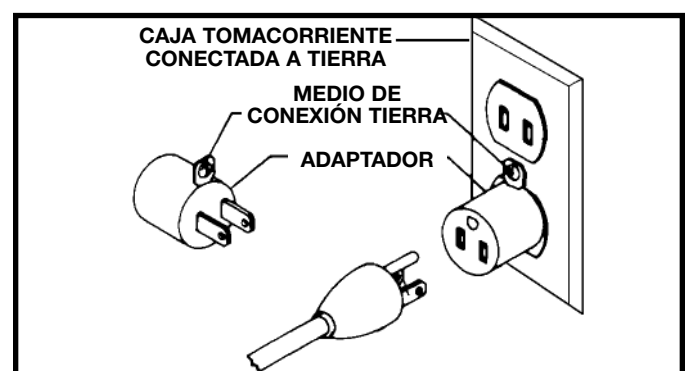


FIG. C

## CORDONES DE EXTENSIÓN

**⚠ ADVERTENCIA:** Utilice cordones de extensión apropiados. Asegúrese de que el cordón de extensión esté en buenas condiciones y de que sea un cordón de extensión de tres alambres que tenga un enchufe de tipo de conexión a tierra con tres terminales y un receptáculo coincidente que acepte el enchufe de la máquina. Cuando utilice un cordón de extensión, asegúrese de emplear un cordón que sea lo suficientemente pesado como para llevar la corriente de la máquina. Un cordón de tamaño insuficiente causará una caída de la tensión de la línea eléctrica que dará como resultado pérdida de potencia y recalentamiento. En la Fig. D1 se muestra el calibre correcto que debe utilizarse dependiendo de la longitud del cordón. En caso de duda, utilice el siguiente calibre más pesado. Cuanto más pequeño sea el número de calibre, más pesado será el cordón.

<b>CORDÓN DE EXTENSIÓN DE CALIBRE MÍNIMO</b>			
TAMAÑOS RECOMENDADOS PARA USO CON MÁQUINAS ELÉCTRICAS ESTACIONARIAS			
Capacidad Nominal En Amperios	Voltios	Longitud Total Del Cordon En Pies	Calibre Del Cordon De Extensión
0-6	120	Hasta 25	18 AWG
0-6	120	25-50	16 AWG
0-6	120	50-100	16 AWG
0-6	120	100-150	14 AWG
6-10	120	Hasta 25	18 AWG
6-10	120	25-50	16 AWG
6-10	120	50-100	14 AWG
6-10	120	100-150	12 AWG
10-12	120	Hasta 25	16 AWG
10-12	120	25-50	16 AWG
10-12	120	50-100	14 AWG
10-12	120	100-150	12 AWG
12-16	120	Hasta 25	14 AWG
12-16	120	25-50	12 AWG
12-16	120	NO SE RECOMIENDA LONGITUDES MAYOR DE 50 PIES	

Fig. D-1

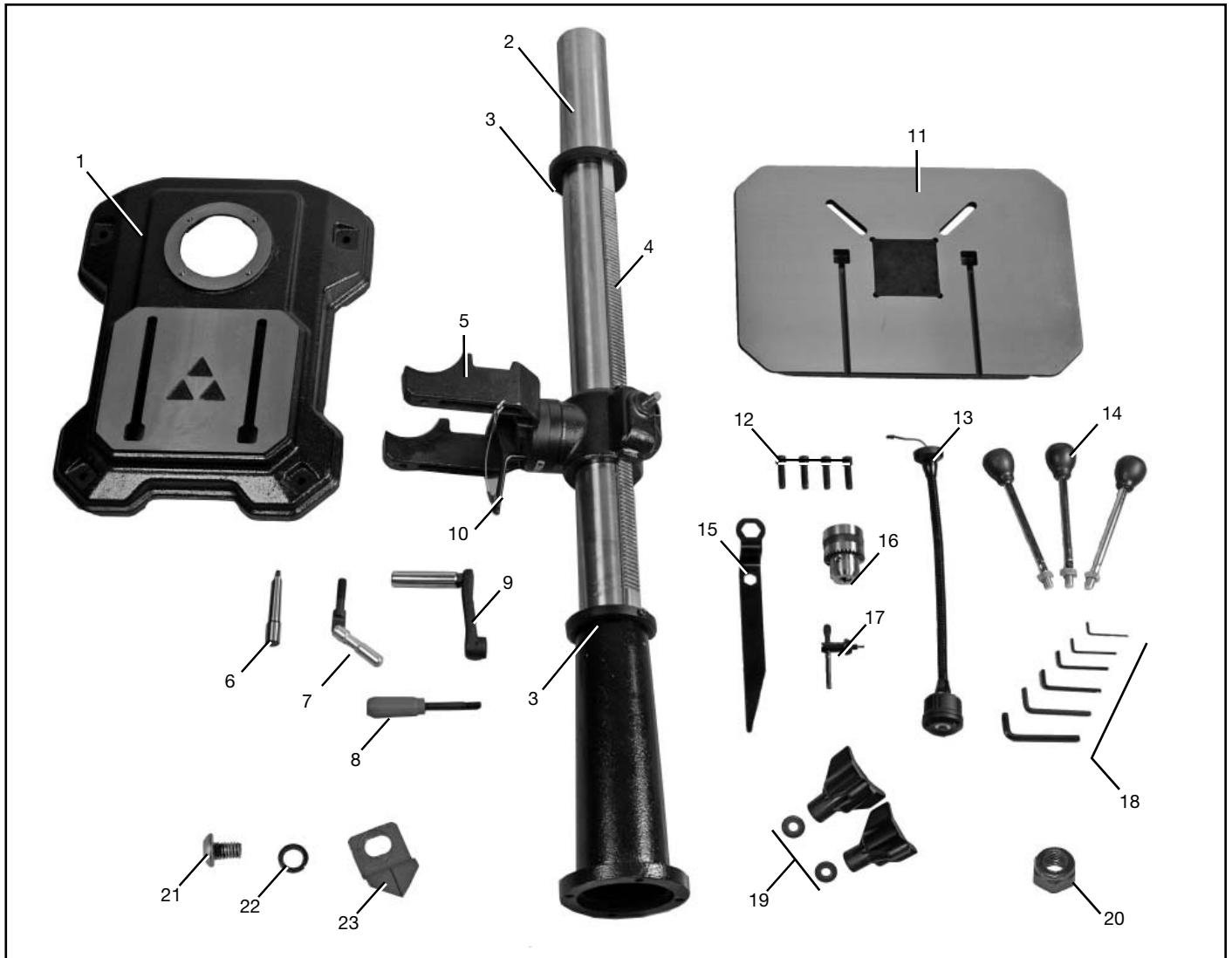
## DESCRIPCIÓN FUNCIONAL

### PRÓLOGO

Modelo Delta 18-900L Taladro de Banco de 457 mm (18 pulg) Con Láser: Esta máquina para trabajos pesados cuenta con un motor de inducción de 3/4 HP, 120 V, un portabrocas con llave con capacidad de 5/8 pulg., una mesa de hierro fundido, un mecanismo de elevación con cremallera y piñón, un tope de profundidad externo y un tope integrado del eje. El 18-900L tiene una mesa inclinable para el taladrado en ángulo. Además cuenta con bordes laterales y ranuras paralelas para facilitar la sujeción rápida de la pieza de trabajo con abrazaderas. El láser ayuda a los usuarios a posicionar la pieza de trabajo con precisión para que la broca de taladrado penetre el material en el lugar deseado.

**NOTA:** La portada del manual ilustra el actual modelo de producción. Todas las ilustraciones que aparecen en el manual son sólo representaciones gráficas y es posible que en ellas no aparezcan las etiquetas reales o los accesorios que vienen incluidos. Estas imágenes pretenden sólo ilustrar técnicas de uso.

# CONTENIDO DE CARTON



- |  |   |
|--|---|
| <ol style="list-style-type: none"> <li>1. Base</li> <li>2. Columna</li> <li>3. (2) Collarines de la cremallera</li> <li>4. Cremallera</li> <li>5. Soporte del banco</li> <li>6. Husillo</li> <li>7. Mango para sujetar el banco</li> <li>8. Mango tensionador de la correa</li> <li>9. Mango para elevar y descender el banco</li> <li>10. Clavija de 0 grados</li> <li>11. Banco</li> <li>12. (4) Tornillos ensamblados con cabeza para casquillo de M10 x 40mm</li> <li>13. Luz LED</li> </ol> | <ol style="list-style-type: none"> <li>14. Mangos del eje</li> <li>15. Llave de ajuste y chaveta de la mesa</li> <li>16. Portabrocas</li> <li>17. Llave de portabrocas</li> <li>18. (6) Llaves hexagonales</li> <li>19. (2) Manijas y arandelas de inclinación delantera</li> <li>20. M6 x 1 tuerca de fijación</li> <li>21. Tornillo de cabeza redondeada</li> <li>22. Arandela de fijación</li> <li>23. Indicador de inclinación de la mesa</li> </ol> <p>* Cabeza de la prensa de taladro (no se muestra)<br/>         * la tuerca de fijación para la palanca de tensión de la correa (not shown)</p> |
|--|---|

## DESEMPAQUETADO Y LIMPIEZA

Desembale cuidadosamente la máquina y todos los elementos sueltos del o los contenedores de envío. Retire el aceite anticorrosivo de las superficies sin pintura con un paño suave humedecido con alcohol mineral, solvente o alcohol desnaturalizado.

**▲ ADVERTENCIA:** No use solventes volátiles como gasolina, nafta, acetona o solvente de barniz para limpiar la máquina.

**▲ ADVERTENCIA:** Para reducir el riesgo de lesiones personales graves, siempre utilice al menos dos personas para levantar la herramienta.

Luego de limpiar, cubra las superficies sin pintura con cera en pasta de buena calidad que se utiliza para los pisos del hogar.

# ENSAMBLE

**⚠ ADVERTENCIA:** Para reducir el riesgo de lesiones personales graves, apague la herramienta y desconéctela de la fuente de alimentación antes de instalar y retirar accesorios, ajustar o cambiar configuraciones o realizar reparaciones. Un arranque accidental podría causar lesiones.

## HERRAMIENTAS REQUERIDAS PARA EL ENSAMBLAJE

Llaves hexagonales (incluidas)  
Mazo de goma (no incluido)  
Llaves de 10 mm

## TIEMPO ESTIMADO DE ENSAMBLAJE

El tiempo aproximado de ensamblaje de esta máquina es de 30 minutos a 1 hora.

## INSTALACIÓN DE LA PRENSA DE TALADRO A LA SUPERFICIE DE APOYO

1. Si usted piensa utilizar su prensa de taladro en un lugar permanente, debe fijar la base de la prensa de taladro a la superficie de apoyo con pernos (no incluidos) usando los cuatro orificios de montaje (A) Fig. 1 de la base de la prensa de taladro.

**NOTA:** Para fijar la base al contrachapado, utilice los siguientes accesorios de montaje: (4) tornillos coche M8 x 1,25 x 125 mm, (8) arandelas planas M8, (4) arandelas de seguridad M8, y (4) tuercas hexagonales M8 x 1,25.

**⚠ ADVERTENCIA:** **RIESGO DE PELIGRO DURANTE SU OPERACIÓN.** Si su prensa de taladro no se encuentra fijada permanentemente al piso, puede ser montada a una tabla de contrachapado para darle estabilidad y evitar tropiezos.

**⚠ ADVERTENCIA:** **RIESGO DE PELIGRO DURANTE SU OPERACIÓN.** Utilice un contrachapado de buena calidad con un espesor mínimo de 19 mm (3/4 pulg.) No utilice madera prensada para la pieza de sujeción pues esta se rompe con facilidad.

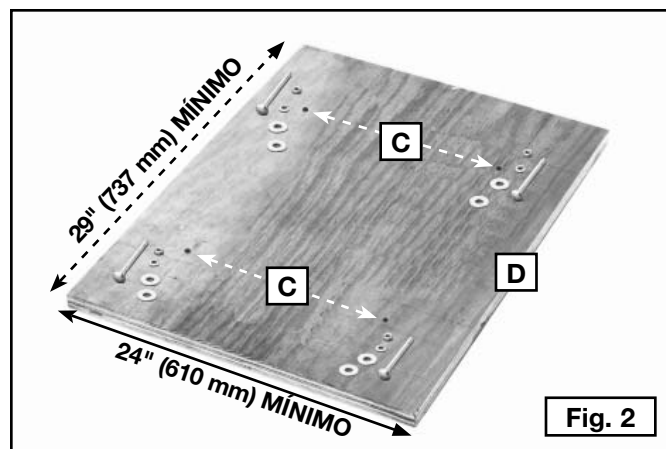
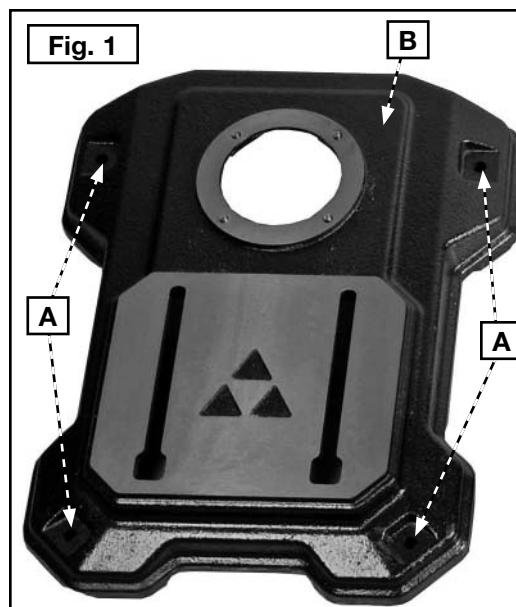
2. Utilice un tablero de contrachapado con las dimensiones mínimas que aparecen en la Fig. 2 para el montaje de la base de la prensa de taladro (B) Fig. 1 a una superficie de soporte.
3. Coloque la base de la prensa de taladro centrada en el contrachapado (D).

**⚠ ADVERTENCIA:** **RIESGO DE PELIGRO DURANTE SU OPERACIÓN.** Asegúrese de que el contrachapado se extienda un mínimo de 76.2 mm (3 pulg.) hacia los cuatro costados de la base.

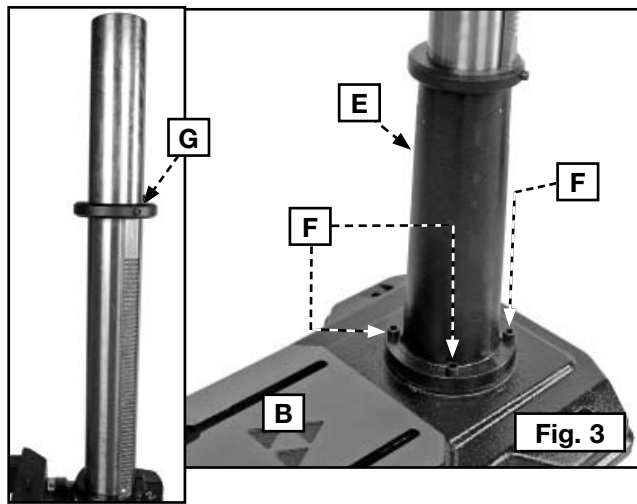
4. Marque los cuatro orificios (C) Fig. 2 por los orificios (A) Fig. 1 de la base de la prensa de taladro. Luego, perforo orificios de 9.5 mm (3/8 pulg.) de diámetro en estos lugares de la superficie de soporte (D) Fig. 2.

**NOTA:** Cuando perforo los orificios, coloque un pedazo de madera de desecho debajo de la superficie de contrachapado que usará de soporte para evitar que la broca dañe el material debajo de la superficie de contrachapado.

5. Fije la base de la prensa de taladro a la tabla de contrachapado del montaje con los pernos coche, las arandelas planas, arandelas de seguridad y tuercas hexagonales descritas más arriba (no



incluidas). Avellane los orificios para acomodar las cabezas de los pernos coche y las arandelas planas debajo de la tabla de modo que las cabezas de los pernos queden al ras de o justo debajo de la superficie de la tabla una vez que los inserte hacia arriba por los orificios debajo de la superficie de soporte. Use una arandela plana, una arandela de seguridad y una tuerca hexagonal encima de la base de la prensa de taladro para fijar los tornillos.



## ENSAMBLAJE DE LAS PIEZAS DE LA PRENSA DE TALADRO

**▲ ADVERTENCIA:** **RIESGO DE PELIGRO DURANTE SU OPERACIÓN.** Si su prensa de taladro no se encuentra fijada permanentemente al piso, puede ser montada a una tabla de contrachapado para darle estabilidad y evitar tropiezos.

**▲ ADVERTENCIA:** Para reducir el riesgo de lesiones, apague la unidad y desenchúfela antes de instalar y quitar accesorios, y antes de realizar ajustes o reparaciones. Un arranque accidental puede causar lesiones.

1. Fije la columna (E) Fig. 3 a la base (B) con los cuatro tornillos ensamblados con cabeza para casquillo de M10 x 40 mm (F), tres de los cuales aparecen en la imagen.

**NOTA:** Verifique que el tornillo (G) (Fig. 3, recuadro) esté orientado hacia la parte posterior de la prensa de taladro.

2. Suba y baje el mango para fijar la mesa (H) Fig. 4 al eje del tornillo sin fin (I). Ajuste el tornillo de seguridad (J) contra el plano del eje con la llave hexagonal de 3 mm incluida.

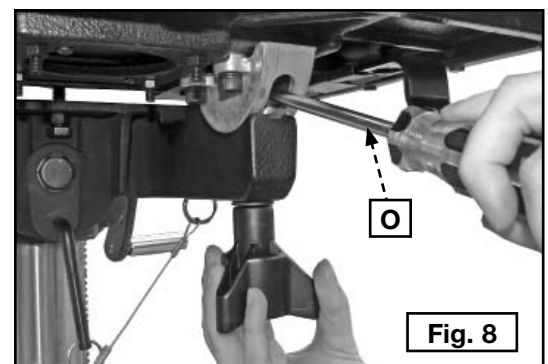
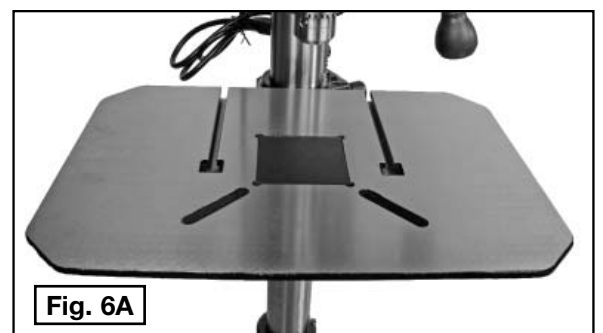
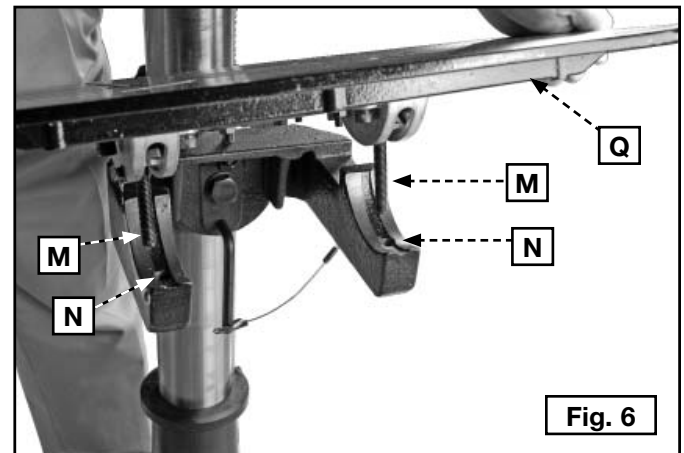
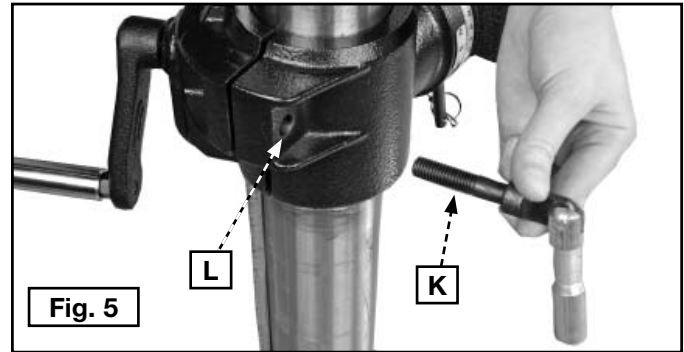
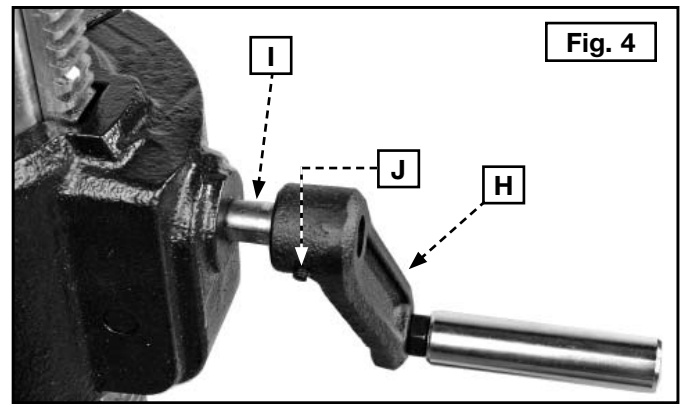
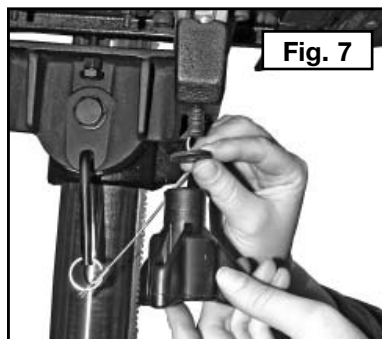
3. Enrosque el mango de la abrazadera de la mesa (K) Fig. 5 en el orificio (L) en la parte posterior del soporte de la mesa y ajuste bien.

4. Alinee los pernos (M) Fig. 6 en la mesa (Q) con los orificios en el soporte de la mesa (N) y coloque la mesa sobre los soportes de la mesa.

**NOTA:** Asegúrese de orientar la mesa de su prensa de taladro debidamente hacia la columna, como lo muestra la Fig. 6A.

5. Instale las arandelas y las manijas de inclinación delantera como lo muestra la Fig. 7. Ajuste firmemente.

**NOTA:** Los pernos del muñón pueden moverse. Para instalar las manijas con mayor facilidad, inserte un destornillador de cabeza plana (O) Fig. 8 en la apertura del muñón y contra los pernos, para estabilizarlos.



## ENSAMBLAJE DEL CABEZAL A LA COLUMNA Y LA BASE

Para ensamblar el cabezal a la columna:

1. Coloque el cabezal de la prensa de taladro (P) Fig. 9 en la columna, insertándolo lo más posible.

**NOTA:** Asegúrese de que los tornillos de fijación del cabezal (R) no impidan que el cabezal de la prensa de taladro quede completamente insertado en la columna.

**⚠ ADVERTENCIA:** Para reducir el riesgo de lesiones, siempre levante la unidad con la ayuda de al menos una otra persona.

2. Alinee el cabezal (P) Fig. 10 con la mesa (Q) y la base (B).
3. Ajuste los dos tornillos de fijación del cabezal (R) Fig. 9 con la llave hexagonal de 5 mm incluida.

## INSTALACIÓN DEL PORTABROCAS

**⚠ ADVERTENCIA:** Para reducir el riesgo de lesiones, apague la unidad y desenchúfela antes de instalar y quitar accesorios, y antes de realizar ajustes o reparaciones. Un arranque accidental puede causar lesiones.

**IMPORTANTE:** Asegúrese que el orificio cónico en la parte inferior del husillo (U) Fig. 11, y el cono del adaptador del husillo (V) estén limpios y no tengan grasa, esmalte o revestimientos anti-óxido.

**NOTA:** Con un paño suave humedecido con esencia mineral, diluyente para pinturas o alcohol desnaturalizado quite el aceite anti-óxido del portabrocas.

Empuje el adaptador del husillo (V) Fig. 11 en el husillo (U) verificando que la espiga (W) entre bien en la ranura dentro del husillo (U).

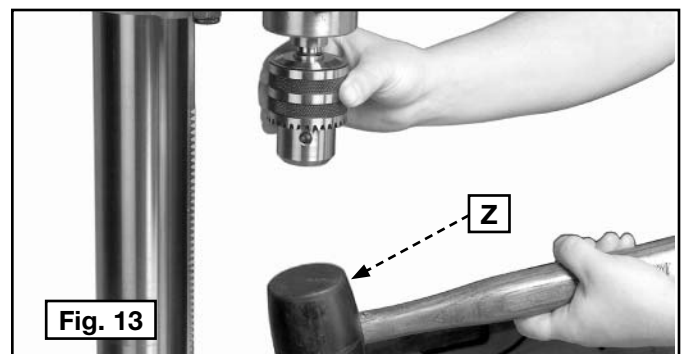
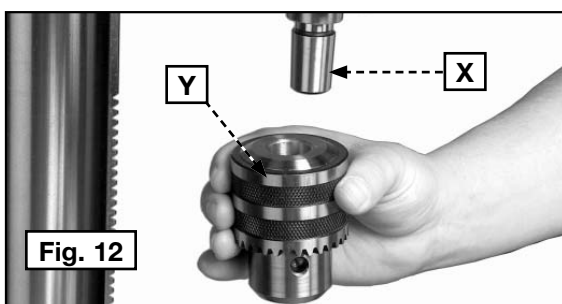
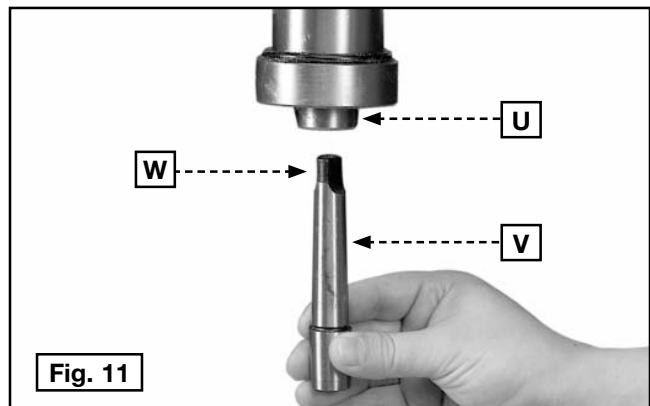
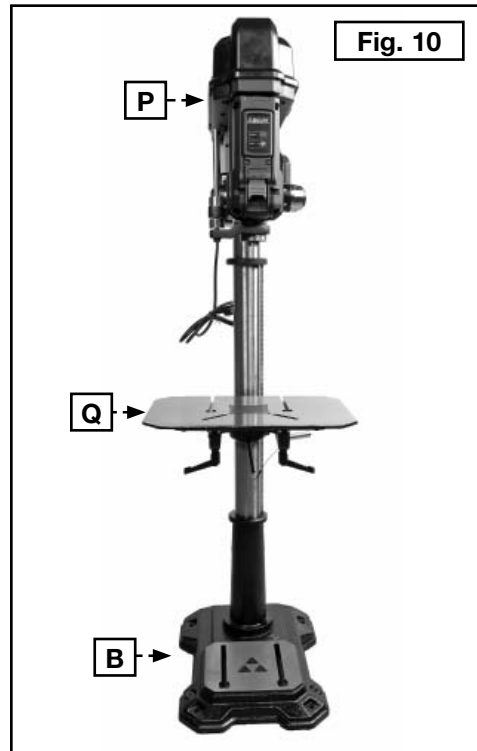
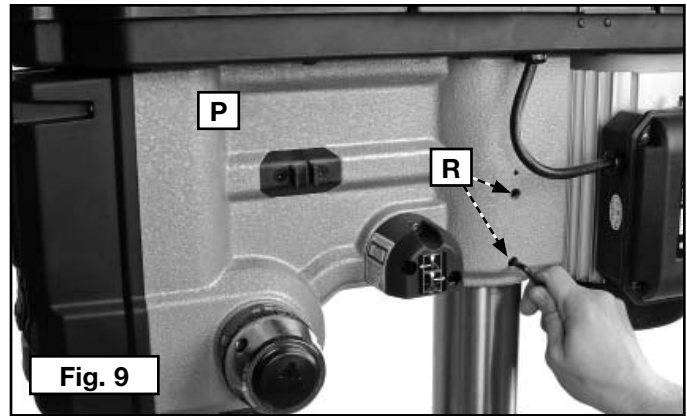
**AVISO:** RIESGO DE DAÑOS A LA PROPIEDAD. Para evitar dañar el láser, evite que la solución de limpieza entre en contacto con el receptáculo del láser. Limpie el receptáculo con un paño de algodón seco.

**IMPORTANTE:** Verifique que el cono del husillo (X) Fig. 12, y el orificio cónico del portabrocas (Y) estén limpios y libres de cualquier grasa, esmalte o revestimientos anti-óxido.

**NOTA:** Con un paño suave humedecido con esencia mineral, diluyente para pinturas o alcohol desnaturalizado quite el aceite anti-óxido del portabrocas.

**IMPORTANTE:** Gire el portabrocas hasta que su mordaza quede completamente replegada dentro del portabrocas. Sostenga el portabrocas del cono del husillo. Golpéelo con un martillo de punta blanda (Z) Fig. 13 o con un pedazo de madera y un martillo para fijar el portabrocas.

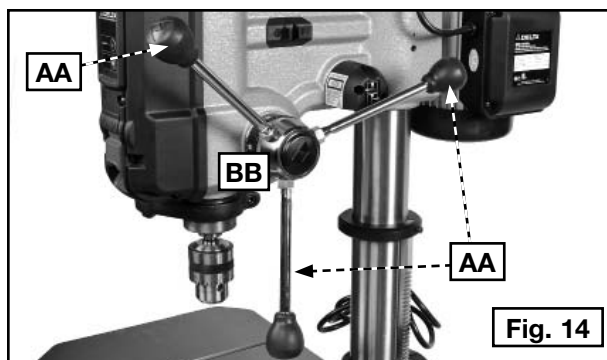
**AVISO:** RIESGO DE DAÑOS A LA PROPIEDAD. Para evitar dañar el portabrocas, NUNCA fije el portabrocas al husillo con un martillo de metal.



## INSTALACIÓN DE LOS MANGOS DEL EJE DEL PIÑÓN DEL PIÑÓN

**⚠ ADVERTENCIA:** Para reducir el riesgo de lesiones, apague la unidad y desenchúfela antes de instalar y quitar accesorios, y antes de realizar ajustes o reparaciones. Un arranque accidental puede causar lesiones.

Enrosque los tres mangos del eje del piñón (AA) en los tres orificios ubicados en el centro del eje del piñón (BB) Fig. 14.



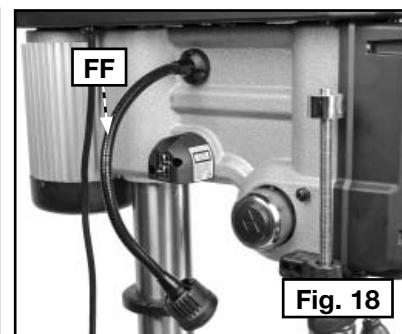
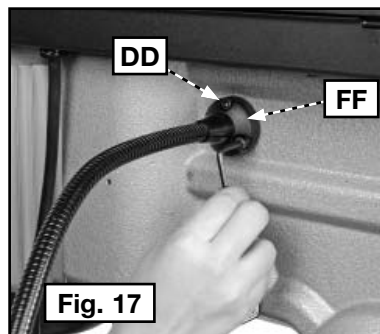
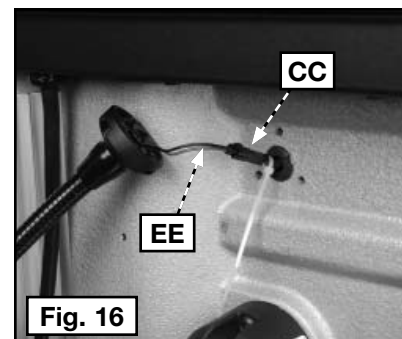
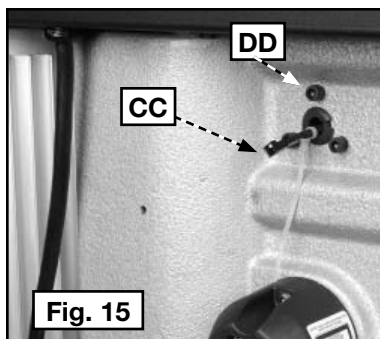
## FIJACIÓN DE LA LUZ DE TRABAJO LED

**⚠ ADVERTENCIA:** Para reducir el riesgo de lesiones, apague la unidad y desenchúfela antes de instalar y quitar accesorios, y antes de realizar ajustes o reparaciones. Un arranque accidental puede causar lesiones.

La luz de trabajo LED incluida deberá ser fijada al costado del cabezal donde está el hilo (CC) Fig. 15.

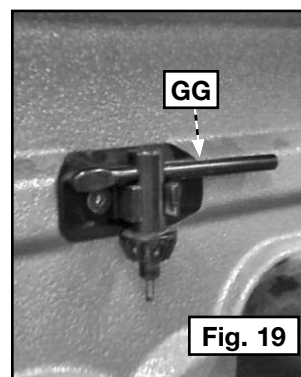
**NOTA:** Antes de conectarla, tenga cuidado de no empujar el hilo (CC) dentro del cabezal, ya que será difícil recuperarlo.

1. Retire los tres tornillos de 6 mm (uno aparece en DD) Fig. 15.
2. Conecte los dos hilos — (CC) desde el cabezal y (EE) desde la luz de trabajo LED — como aparece en Fig. 16.
3. Retire la liga de plástico del cable.
4. Empuje el exceso de hilo dentro del cabezal.
5. Conecte la luz de trabajo LED (FF) Fig. 17 al cabezal con los tres tornillos anteriormente retirados. Uno de ellos aparece en (DD).
6. El ensamblaje final de la luz de trabajo LED (FF) debería verse como en la Figura 18.



## ALMACENAMIENTO DE LA LLAVE DEL PORTABROCAS

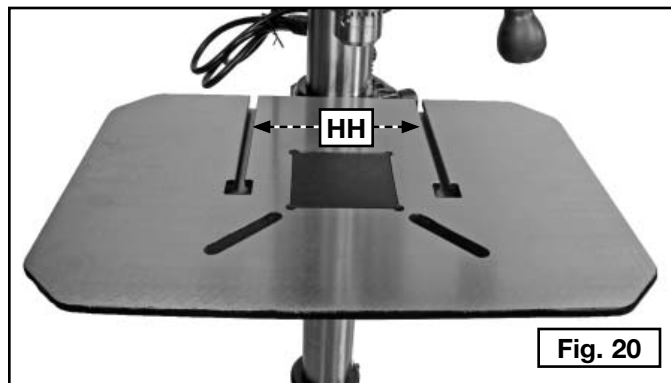
El lado derecho del cabezal de la prensa de taladro cuenta con un lugar integrado para almacenar la llave del portabrocas incluida (GG). Presione la llave del portabrocas en el portallave, como aparece en la Fig. 19.



## RANURAS EN T

La mesa de la prensa de taladro viene con dos ranuras en T (HH) Fig. 20 a utilizar con diversos accesorios para la prensa de taladro (bloques de tope, rebordes o abrazaderas). Utilice pernos en T de 5/16 pulg. o pernos hexagonales de 1/4-20 cuando desee fijar su accesorio a la mesa.

**⚠ ADVERTENCIA:** Como otros accesorios fuera de los ofrecidos por DELTA no han sido probados con este producto, el uso de tales accesorios con esta herramienta podría ser peligroso. Para una operación más segura, sólo deberá utilizar accesorios recomendados por DELTA con este producto.



## ALMACENAMIENTO DE LA LLAVE PARA FIJAR LA MESA

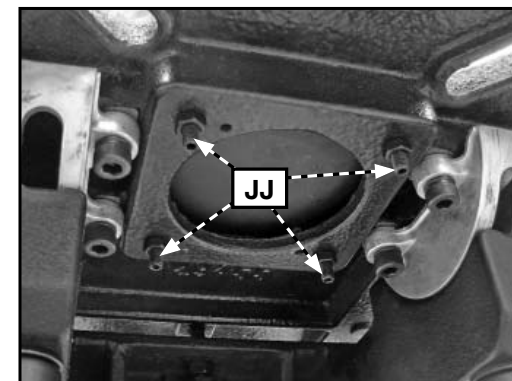
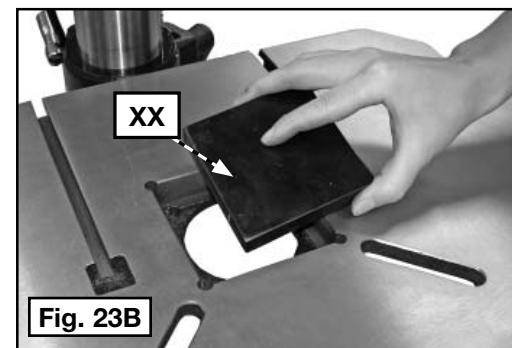
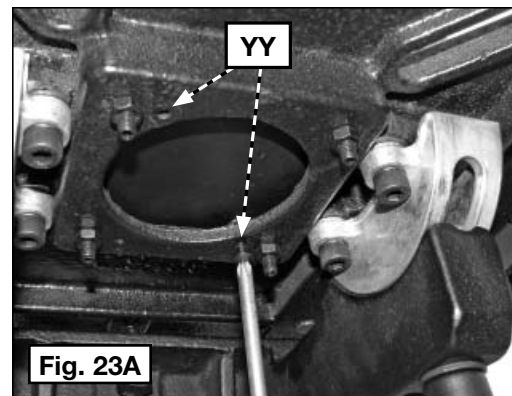
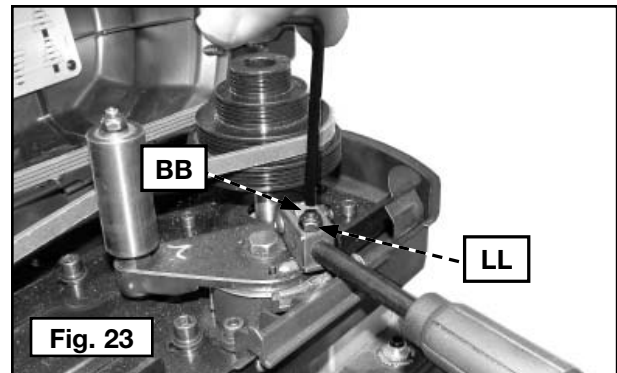
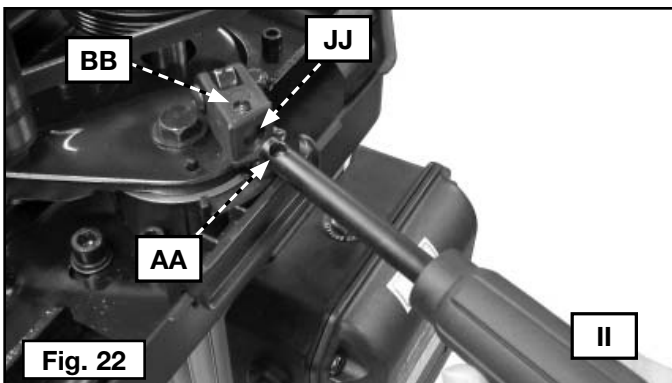
La llave para fijar la mesa puede almacenarse debajo de la mesa como lo muestra la Fig. 21.

## MANGO DE LA PALANCA DE TENSIÓN DE LA CORREA

Para instalar el mango de la palanca de tensión de la correa (II) Fig. 22, colóquelo en el orificio (JJ) con el orificio (AA) hacia arriba, como aparece.

Alinee el tornillo de fijación (BB) con el orificio (AA) Fig. 22 y ajuste el tornillo firmemente dentro del orificio con la llave hexagonal incluida, como lo muestra la Fig. 23.

Coloque M6 x 1 fig. 23 de la tuerca de fijación (LL) en el tornillo de presión (BB). Apriete firmemente la tuerca de fijación (LL) con una llave de 10 milímetros.



## ENCASTRE PARA LA MESA

La mesa de la prensa de taladro viene con un encastre (XX) Fig. 23B hecho de MDF para ayudar a prevenir el desgaste de la broca cuando penetra la pieza de trabajo.

Con el tiempo, será necesario cambiar esta pieza. Puede hacerse con un pedazo de MDF de 3/4 pulg. de grosor cortado en un cuadrado de 3-3/4 pulg.

Para cambiar el encastre antiguo:

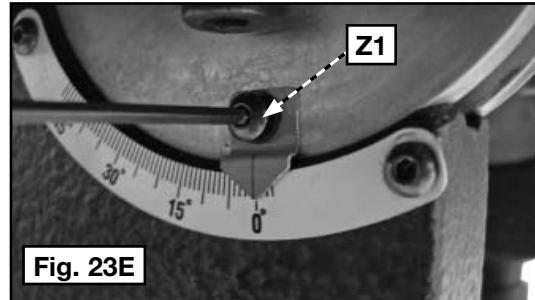
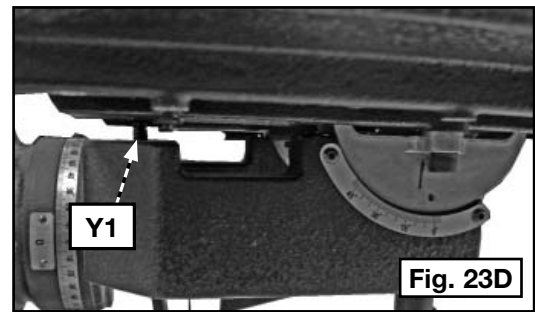
1. Retire dos tornillos de los orificios (YY) Fig. 23A que sujetan el encastre en su sitio.
2. Retire el encastre antiguo y coloque el nuevo en la mesa (Fig. 23B).
3. Si el encastre no está nivelado con la mesa, ajuste los cuatro tornillos sin fin (JJ) Fig. 23C. Cuando la encastre para la mesa esté nivelada, ajuste la tuerca de fijación en cada tornillo.
4. Sujete el encastre y fijelo en su sitio con los 2 tornillos que quitó en el paso 1. Inserte los tornillos en los orificios (YY) Fig. 23A y fije el encastre en su sitio.



## INDICADOR DE INCLINACIÓN DE LA MESA

Ajuste las perillas de inclinación hacia adelante con la mesa firmemente apoyada contra el tornillo de fijación (Y1) Fig. 23D.

Coloque la arandela de fijación debajo de la cabeza del tornillo (Z1) Fig. 23E y luego el indicador. Alinee la línea de indicación del indicador con la marca de 0° de la escala y ajuste bien con la llave hexagonal incluida.



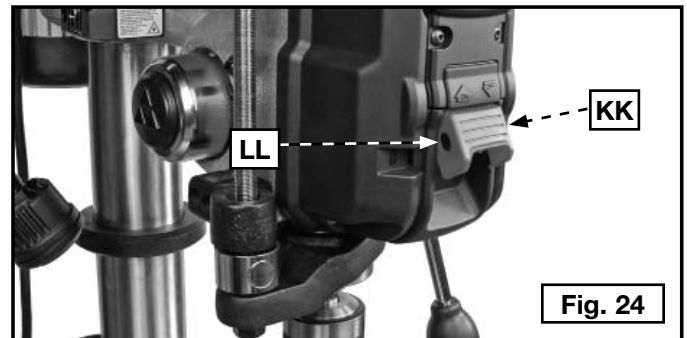
## OPERACIÓN

### CONTROLES Y AJUSTES OPERACIONALES

#### ARRANQUE Y DETENCIÓN DE LA 18-900L

**⚠ ADVERTENCIA:** Para reducir el riesgo de lesiones, verifique que el conmutador de encendido/apagado esté en “OFF” (apagado) antes de enchufar el cable en la toma de corriente. No toque las patas de metal del enchufe cuando desenchufe o enchufe el cable.

Para encender la prensa de taladro, levante la paleta del conmutador (KK) Fig. 24 hacia arriba, a la posición “ON” (encendido). Para apagar la prensa de taladro, empuje la paleta del conmutador (KK) Fig. 25 hacia abajo, a la posición “OFF” (apagado), como aparece.



#### BLOQUEO DEL CONMUTADOR EN LA POSICIÓN “OFF”

**⚠ ADVERTENCIA:** Para reducir el riesgo de lesiones, en el caso de un corte de suministro eléctrico (si salta un tapón o un fusible), siempre mueva el conmutador a la posición “OFF” hasta que se restablezca el suministro de corriente.

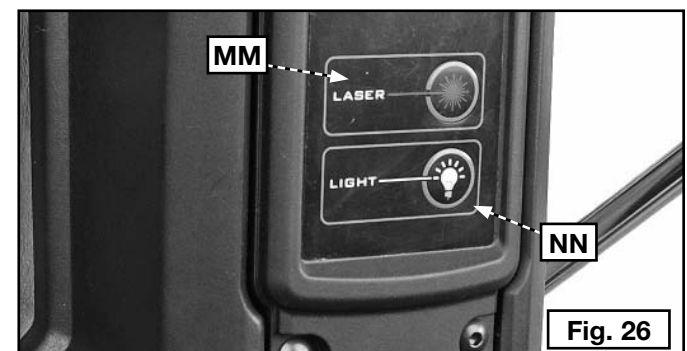
**IMPORTANTE:** Cuando la máquina no esté en uso, el interruptor deberá estar bloqueado en posición “OFF” (apagado) para evitar su uso no autorizado, con un candado pasado por los orificios en (LL) Fig. 25. El diámetro mínimo del candado deberá ser de 5 mm (1/5 pulg.) y el largo máximo del candado deberá ser de 22,2 mm (7/8 pulg.).



#### ENCENDIDO DE LA LUZ DE TRABAJO Y DE LOS LÁSERES

Empuje el botón “LASER” (MM) Fig. 26 para encender o apagar los láseres con punto de mira.

Empuje el botón “LIGHT” (luz) (NN) Fig. 26 para encender o apagar la luz de trabajo LED.



## AJUSTES A LA MESA

**⚠ ADVERTENCIA:** Para reducir el riesgo de lesiones, apague la unidad y desenchúfela antes de instalar y quitar accesorios, y antes de realizar ajustes o reparaciones. Un arranque accidental puede causar lesiones.

**⚠ ATENCIÓN:** **RIESGO DE LESIONES PERSONALES.** Verifique que no haya nada sobre la mesa y que la pieza de trabajo esté fijada con abrazaderas. Cualquier objeto que caiga de la mesa podría causar lesiones.

### *Inclinación de la mesa de atrás hacia adelante de cero (0) a 45 grados*

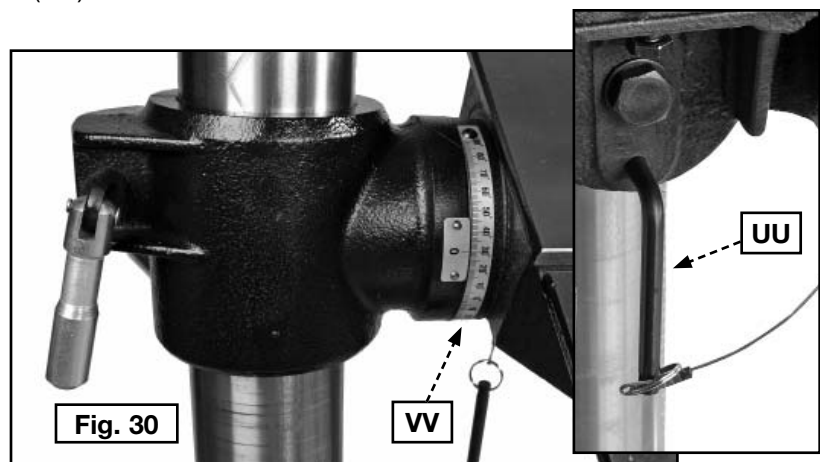
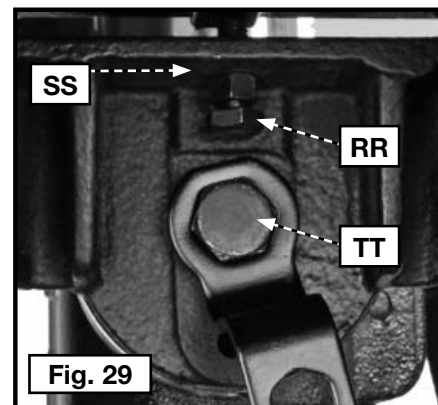
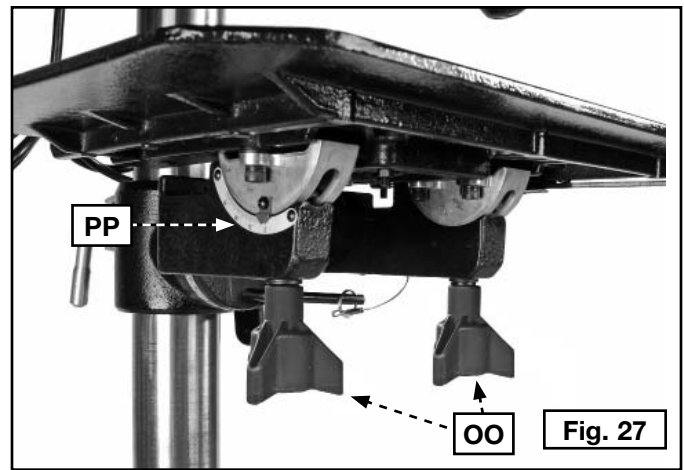
Para ajustar:

1. Afloje las dos manijas de inclinación delantera (OO) Fig. 27.
2. Ajuste la mesa al ángulo deseado. La escala (PP) Fig. 27 está ubicada a un costado del soporte de la mesa.
3. Ajuste las manijas (OO) Fig. 27.
4. Encontrará un tornillo de tope positivo (QQ) Fig. 28 que viene incluido para poder devolver la mesa a la posición de cero grados. Gire la cabeza hexagonal del tornillo de tope para ajustarlo (RR) Fig. 29 desde debajo de la mesa. Ajuste la tuerca de fijación (SS) Fig. 29 para fijar el tope.

### *Inclinación de la mesa de derecha a izquierda de cero (0) a 90 grados*

Se incluye una clavija de guía para la posición de 0 grados de la mesa. Para ajustar:

1. Afloje el perno de la mesa (TT) Fig. 29 aproximadamente 1/4 de vuelta con la llave de fijación de la mesa que viene incluida (Figura 29).
2. Quite la clavija de guía (UU) Fig. 30 (recuadro).
3. Gire la mesa al ángulo deseado. La escala de inclinación (VV) Fig. 30 está ubicada en la articulación detrás de la mesa. Utilice esta escala para mayor precisión.
4. Ajuste el perno de la mesa (TT) Fig. 29.
5. Cuando devuelva la mesa a la posición de cero grados, vuelva a insertar la clavija de guía (UU) Fig. 30 (recuadro).



## CÓMO ELEVAR Y BAJAR EL HUSILLO

**⚠ ADVERTENCIA:** Para reducir el riesgo de lesiones, apague la unidad y desenchúfela antes de instalar y quitar accesorios, y antes de realizar ajustes o reparaciones. Un arranque accidental puede causar lesiones.

Eleve y baje el husillo con los mangos del piñón (AA) Fig. 31. Puede bloquear el eje en cualquier lugar si coloca la tuerca de fijación (WW) contra el tope. Para instalar la tuerca, presione el botón y deslícela por el hilo del vástago.

## AJUSTE DEL MUELLE DE RETORNO DEL HUSILLO

El husillo volverá automáticamente a su posición superior cuando se suelte el mango. Sin embargo, si fuera necesario ajustarlo:

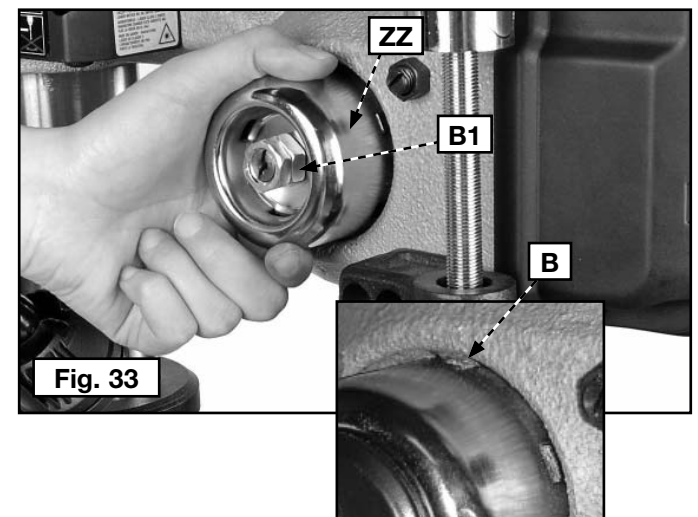
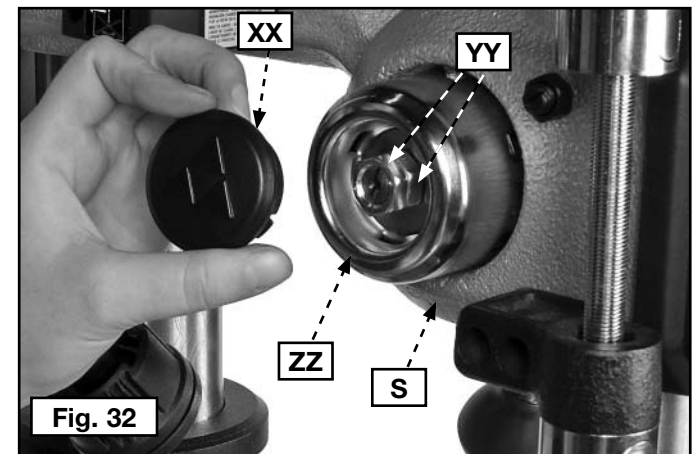
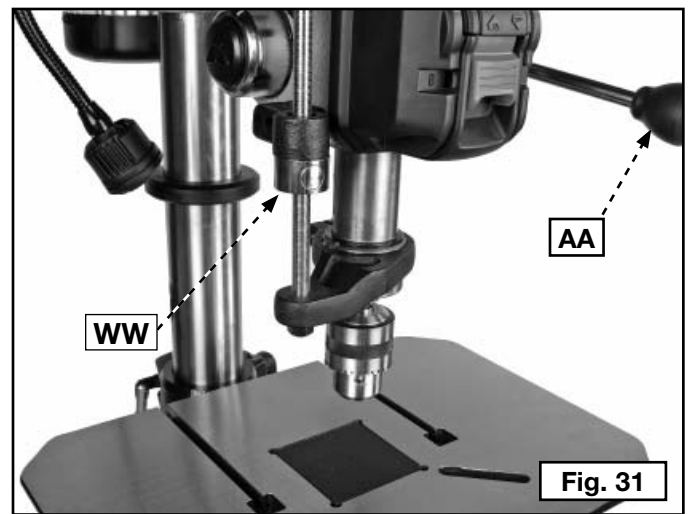
**⚠ ADVERTENCIA:** Para reducir el riesgo de lesiones, apague la unidad y desenchúfela antes de instalar y quitar accesorios, y antes de realizar ajustes o reparaciones. Un arranque accidental puede causar lesiones.

1. Retire la tapa de plástico (XX) Fig. 32.
2. Afloje las tuercas (YY) pero no las quite. Verifique que la caja del muelle (ZZ) permanezca fijada al cuerpo del cabezal (S).
3. Al tiempo que sujeta firmemente la caja del muelle (Fig. 33), tire de ella y gírela (en dirección contraria a las manillas del reloj para aumentar, o en la dirección de las manillas del reloj para disminuir) hasta que sienta (B) que engancha con la siguiente muesca de la caja. Ajuste las dos tuercas (YY) Fig. 32 para fijar la caja en ese lugar.

**IMPORTANTE:** La tuerca interior (B1) Fig. 33 no debería entrar en contacto con la caja del muelle (ZZ) Fig. 33.

4. Reponga la tapa de plástico.

**⚠ ADVERTENCIA: PELIGRO DE LESIONES CORPORALES.** Tenga cuidado de no soltar la caja del muelle mientras ajusta la tensión del muelle, pues podría girar rápidamente por la tensión del resorte.



## REVISIÓN DEL AJUSTE DEL LÁSER

**⚠ ADVERTENCIA:** Para reducir el riesgo de lesiones, apague la unidad y desenchúfela antes de instalar y quitar accesorios, y antes de realizar ajustes o reparaciones. Un arranque accidental puede causar lesiones.

**⚠ ADVERTENCIA:** LUZ DEL LÁSER. No fije su mirada en el rayo láser, en la apertura o en el reflejo del mismo en una superficie, como en un espejo.

El alineamiento del láser viene preconfigurado de fábrica. Si se requiere, el alineamiento puede ajustarse siguiendo estos pasos:

**Para revisar que los láseres estén perpendiculares a la mesa, haga lo siguiente:**

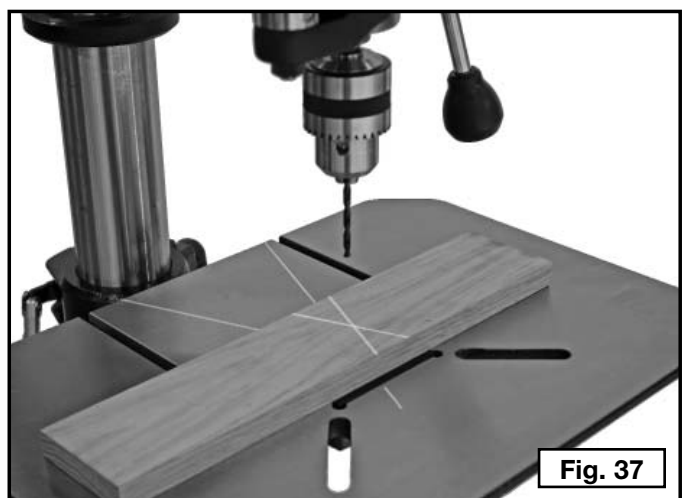
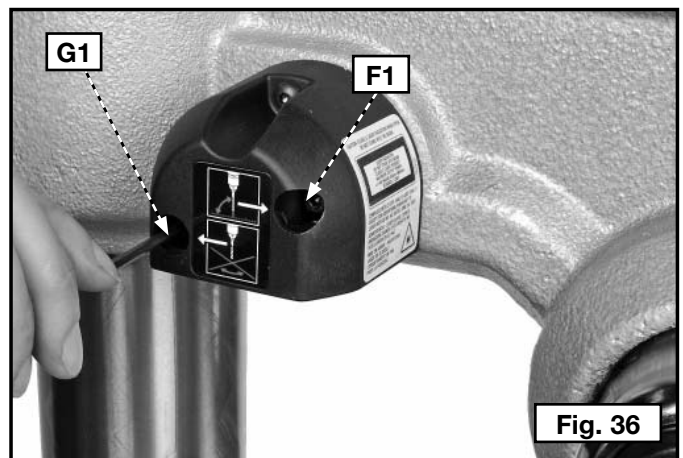
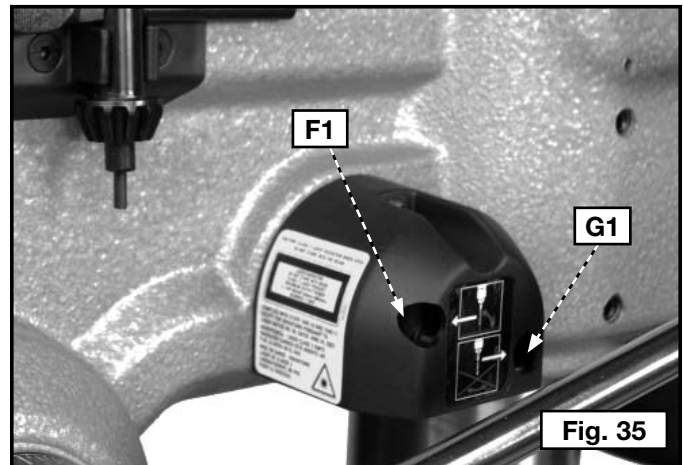
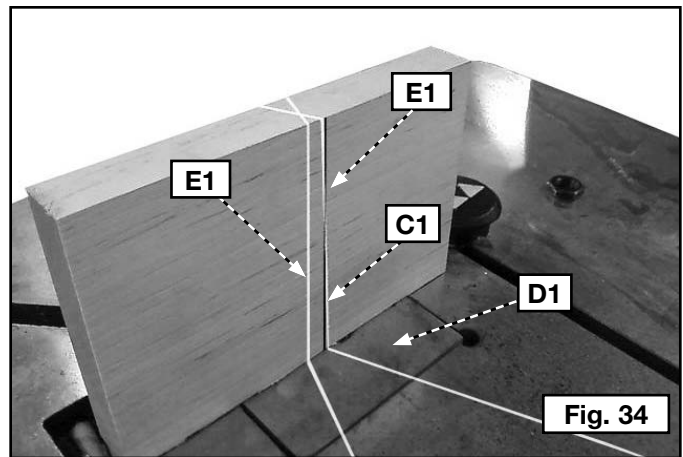
1. Con una escuadra o dispositivo similar, trace una línea recta (C1) Fig. 34 sobre un pedazo de madera.
2. Coloque la madera sobre su borde, como en Fig. 34, con la línea mirando hacia la parte posterior de la prensa de taladro. Verifique que la madera esté posicionada sobre el punto medio de la extensión de la mesa (D1) Fig. 34, como aparece.
3. Encienda el láser de modo que las líneas rojas se vean en la madera como aparece. Revise que ambas líneas rojas (E1) Fig. 34 estén paralelas con la línea (C1) que usted dibujó.

**Si no lo están:**

1. Con una de las llaves hexagonales incluidas, gire el tornillo delantero (F1) Fig. 35 en el receptáculo del láser derecho de modo que su línea roja esté paralela con la que trazó sobre la madera.
2. Repita este paso con el receptáculo izquierdo y con su línea usando su tornillo delantero (F1) Fig. 36.

**Para verificar que los láseres intersecten en el punto a taladrar:**

1. Recueste la madera sobre la mesa (como en Fig. 37) y verifique que no se mueva.
2. Con una broca de taladro pequeña y la máquina apagada, baje la broca sobre la madera hasta que cree una hendidura.
3. Para ambos láseres, utilice la misma llave hexagonal en el tornillo posterior (G1) (Fig. 35 y 36) y gire los láseres para que ambos crucen este punto juntos, como en la Figura 37.



## VELOCIDADES DEL HUSILLO

La prensa de taladro viene con dieciséis velocidades de husillo. La Fig. 38 ilustra las posiciones de la correa y las velocidades correspondientes.

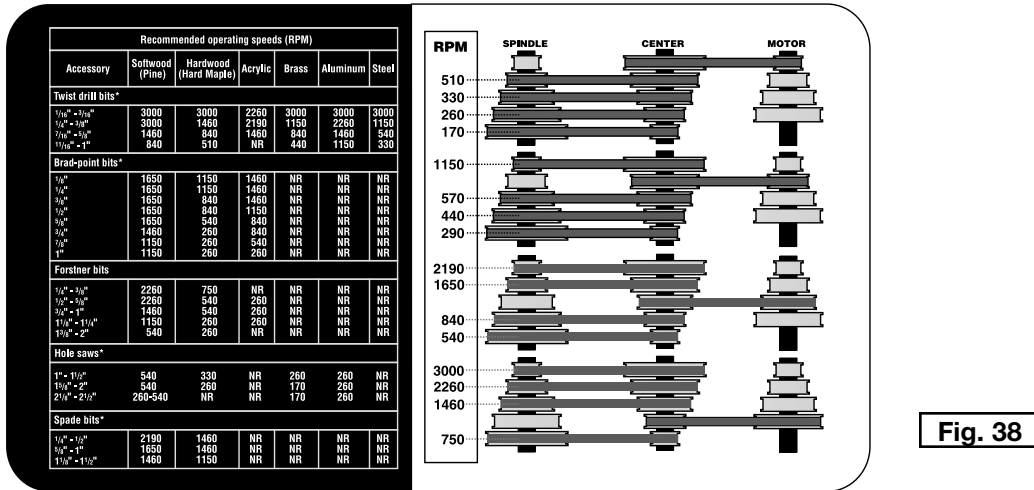


Fig. 38

Además, la tabla abajo indica qué velocidades utilizar con ciertos materiales y tamaños de brocas. Velocidades de funcionamiento recomendadas (en revoluciones por minuto) (o RPM)

ACCESORIO	MATERIAL					
	MADERA BLANDA	MADERA DURA	ACRÍLICO	LATÓN	ALUMINIO	ACERO
<b>BROCAS HELICOIDALES</b>						
1.5-5 mm (1/16"-3/16")	3000	3000	2260	3000	3000	3000
6.4-9.5 mm (1/4"-3/8")	3000	1460	2190	1150	2260	1150
11-16 mm (7/16"-5/8")	1460	840	1460	840	1460	540
17-25.4 mm (11/16"-1")	840	510	NR	440	1150	330
<b>BROCAS CON PUNTA CENTRADORA</b>						
3.18 mm (1/8")	1650	1150	1460	NR	NR	NR
6.4 mm (1/4")	1650	1150	1460	NR	NR	NR
9.5 mm (3/8")	1650	840	1460	NR	NR	NR
12.7 mm (1/2")	1650	840	1150	NR	NR	NR
15.9 mm (5/8")	1650	540	840	NR	NR	NR
19 mm (3/4")	1460	260	840	NR	NR	NR
22.2 mm (7/8")	1150	260	540	NR	NR	NR
25.4 mm (1")	1150	260	260	NR	NR	NR
<b>BROCAS FORSTNER</b>						
6.4-9.5 mm (1/4"-3/8")	2260	750	NR	NR	NR	NR
12.7-15.9 mm (1/2"-5/8")	2260	540	260	NR	NR	NR
19-25.4 mm (3/4"-1")	1460	540	260	NR	NR	NR
28.6-31.8 mm (1-1/8"-1-1/4")	1150	260	260	NR	NR	NR
35-50.8 mm (1-3/8"-2")	540	260	NR	NR	NR	NR
<b>SIERRAS DE COPA</b>						
25.4-38.1 mm (1"-1-1/2")	480	310	NR	240	240	NR
41.3-50.8 mm (1-5/8"-2")	480	240	NR	150	240	NR
54-63.5 mm (2-1/8"-2-1/2")	240-480	NR	NR	150	240	NR
<b>BROCAS DE PALA</b>						
6.4-12.7 mm (1/4"-1/2")	2190	1460	NR	NR	NR	NR
15.9-25.4 mm (5/8"-1")	1650	1460	NR	NR	NR	NR
35-38.1 mm (1-1/8"-1-1/2")	1460	1150	NR	NR	NR	NR

NR - NON RECOMMANDÉ / NO RECOMENDADO

## CÓMO CAMBIAR VELOCIDADES Y AJUSTAR LA TENSIÓN DE LA CORREA

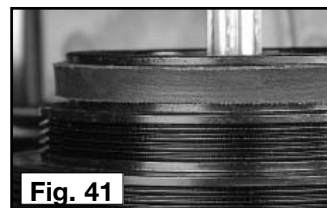
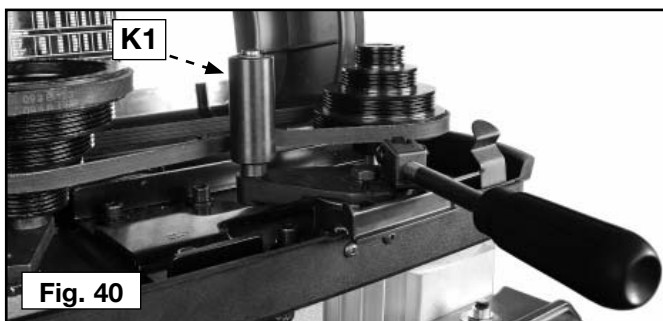
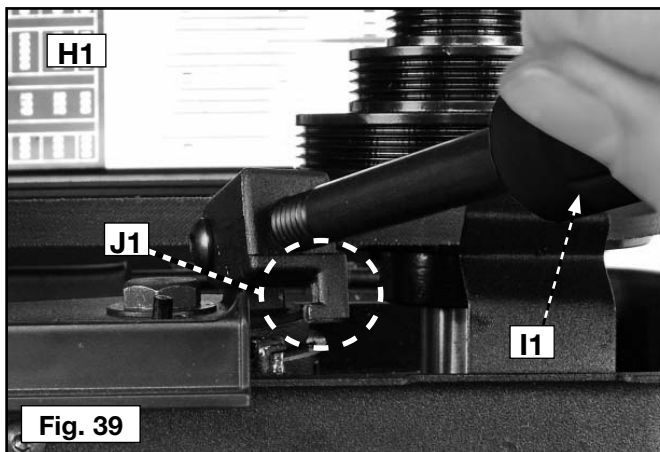
**⚠ ADVERTENCIA:** Para reducir el riesgo de lesiones, apague la unidad y desenchúfela antes de instalar y quitar accesorios, y antes de realizar ajustes o reparaciones. Un arranque accidental puede causar lesiones.

**NOTA:** La prensa de taladro viene con dieciséis velocidades de husillo. En la parte interior de la tapa superior de la prensa de taladro encontrará una tabla de velocidades y posiciones de la correa.

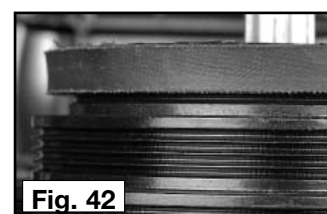
1. Levante la tapa (H1) Fig. 39.
2. Mueva el mango de la palanca de tensión de la correa (I1) Fig. 39 hacia arriba y a la derecha y accione el gancho (J1) Fig. 39 (recuadro) para sujetar el brazo de tensión en su lugar.
3. Elija la velocidad apropiada para la herramienta que utilizará y coloque las correas en las poleas correspondientes. Remítase a la tabla (Fig. 38) del interior de la tapa del cabezal de la prensa de taladro.
4. **NOTA:** Las correas son estriadas; verifique que las estrías de la correa correspondan con las ranuras de la polea.
5. Levante el mango y muévalo hacia la izquierda (como en Fig. 40) hasta que el brazo tensionador de la correa (K1) repose contra las correas.

**NOTA:** No fuerce el mango más hacia la izquierda. Está fijado con la tensión debida para las correas.

**NOTA:** La Fig. 41 muestra la forma debida de posicionar la correa superior, con una parte de metal pequeña visible encima de la correa negra. La Fig. 42 muestra la forma indebida de posicionar la correa superior, donde no se ve ninguna parte del metal encima de la correa negra.



**CORRECTO**



**INCORRECTO**

## TALADRADO DE ORIFICIOS A PROFUNDIDAD

**⚠ ADVERTENCIA:** Para reducir el riesgo de lesiones, apague la unidad y desenchúfela antes de instalar y quitar accesorios, y antes de realizar ajustes o reparaciones. Un arranque accidental puede causar lesiones.

Cuando quiera perforar una serie de orificios de la misma profundidad, siga este procedimiento:

### Fijación en cero

1. Coloque la broca (L1) en el portabrocas Fig. 43.
2. Baje la broca hasta que toque la pieza de trabajo (M1) Fig. 43.
3. Presione el botón de la tuerca de fijación del eje (N1) y elévela contra el soporte de tope de profundidad (O1).
4. Ponga la escala del piñón (P1) Fig. 44 en cero.

### Fijación de la profundidad

1. Retire la pieza de trabajo y gire los mangos del piñón para bajar el eje a la profundidad deseada, según registre en la escala.
2. Con el eje en esta profundidad, eleve la tuerca de fijación del eje (N1) Fig. 43 contra el soporte de tope de profundidad.
3. Aún sujetando el husillo, baje la tuerca de tope de profundidad (Q1) Fig. 43 contra el soporte de tope de profundidad.
4. Baje la tuerca de fijación del eje (N1) Fig. 43 para despejar el camino.

**⚠ ADVERTENCIA:** Para reducir el riesgo de lesiones, ajuste todos los mangos de fijación antes de arrancar la máquina. Si pierde el control de la pieza de trabajo, puede sufrir lesiones graves.

5. Conecte la máquina a la fuente de suministro eléctrico y perfore un orificio de prueba para verificar el ajuste. Vuelva a girar la tuerca de tope (Q1) Fig. 43 si requiere de un ajuste fino. No tiene que presionar el botón para girar la tuerca de tope (Q1).

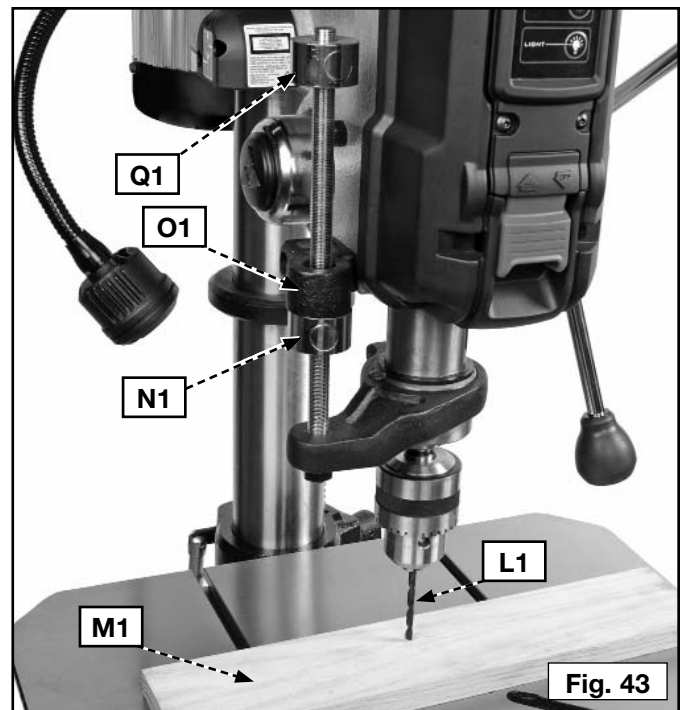


Fig. 43

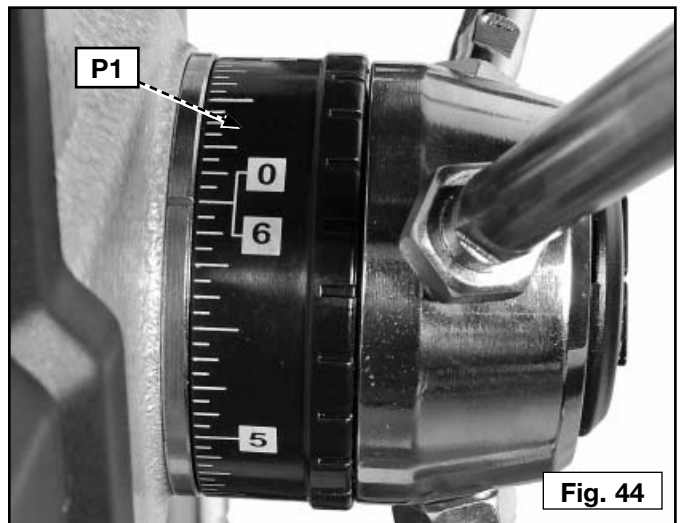


Fig. 44

## UTILIZAR LA MAQUINA

**NOTA:** Utilice brocas de taladro con diámetros de vástago de 5/8 pulg. o menos.

**NOTA:** Luego de instalar una broca de taladro, utilice la llave incluida para ajustar los tres puntos de fijación en el portabrocas.

**⚠ ADVERTENCIA:** Para reducir el riesgo de lesiones, ajuste todos los mangos de fijación antes de arrancar la máquina. Si pierde el control de la pieza de trabajo, puede sufrir lesiones graves.

**⚠ ADVERTENCIA:** Para reducir el riesgo de lesiones, proporcione el soporte necesario para piezas de trabajo largas o anchas. Si pierde el control de la pieza de trabajo, puede sufrir lesiones graves.

**⚠ ADVERTENCIA:** Para reducir el riesgo de lesiones, no coloque más de 250 libras (114 kilos) de peso sobre la mesa.

**⚠ ADVERTENCIA:** El uso de accesorios no recomendados por Delta puede resultar en un riesgo de lesiones.

**IMPORTANTE:** Cuando la pieza de trabajo (M1) Fig. 45 es suficientemente larga, colóquela sobre la mesa con un extremo contra el lado izquierdo de la columna (R1) para evitar que la pieza de trabajo rote. Si no es posible apoyar la pieza de trabajo contra la columna, fije la pieza de trabajo a la mesa con una abrazadera.

## INSTALACIÓN Y DESINSTALACIÓN DE BROCAS DE TALADRO

**NOTA:** Utilice brocas de taladro con vástagos de 5/8 pulg. o menos de diámetro.

**⚠ ADVERTENCIA:** Para reducir el riesgo de lesiones, apague la unidad y desenchúfela antes de instalar y quitar accesorios, y antes de realizar ajustes o reparaciones. Un arranque accidental puede causar lesiones.

1. Inserte el extremo liso de la broca (L1) Fig. 46 en el portabrocas (S1) lo más que pueda y luego retírela 1.6 mm (1/16 pulg.) (o hasta las estrías para brocas pequeñas).
2. Centre la broca (L1) Fig. 46 en el portabrocas (S1) antes de ajustar el portabrocas con la llave (T1).
3. Gire la llave del portabrocas (T1) Fig. 46 en dirección de las manillas del reloj para ajustar y en dirección contraria a las manillas del reloj para aflojar las mordazas del portabrocas.
4. Ajuste las tres mordazas del portabrocas para fijar la broca de modo que no se deslice.
5. Retire la llave del portabrocas (T1) Fig. 46 del portabrocas antes de arrancar la prensa de taladro. La llave del portabrocas viene con una clavija de auto-expulsión (U1) para ayudar a minimizar el potencial de dejar la llave en el portabrocas.

## CÓMO RETIRAR EL PORTABROCAS Y EL ADAPTADOR DEL HUSILLO

**⚠ ADVERTENCIA:** Para reducir el riesgo de lesiones, apague la unidad y desenchúfela antes de instalar y quitar accesorios, y antes de realizar ajustes o reparaciones. Un arranque accidental puede causar lesiones.

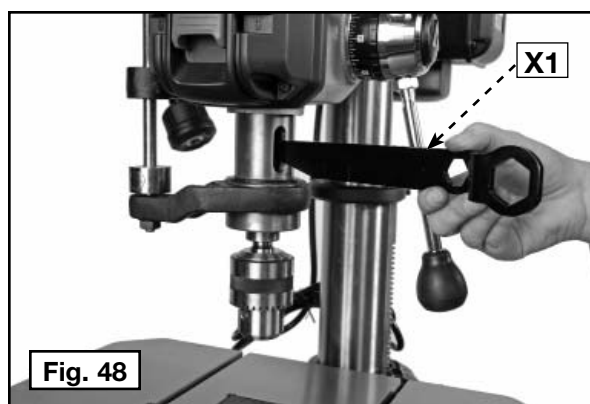
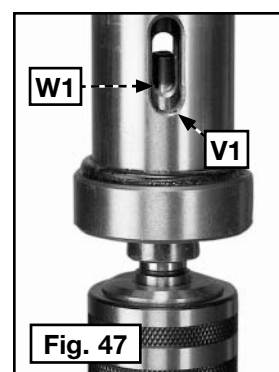
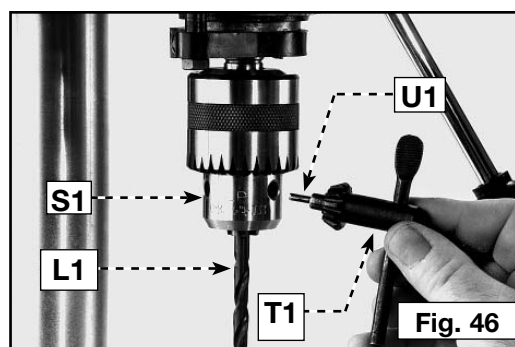
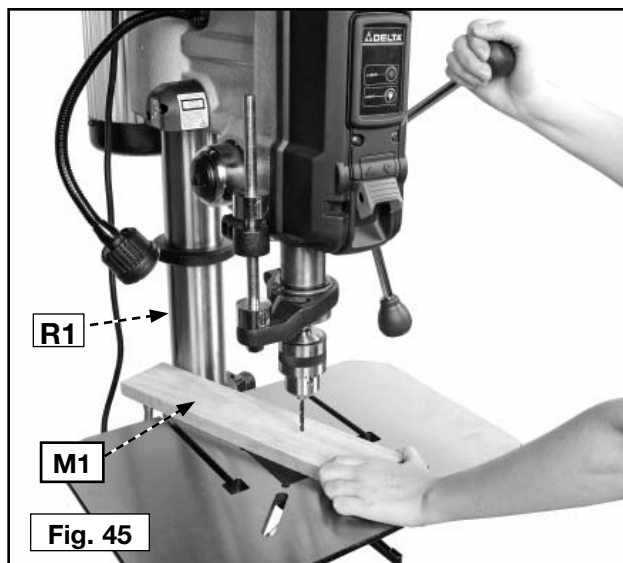
El adaptador del husillo y el portabrocas pueden retirarse para usar vástagos con conos Morse #2.

1. Alinee la ranura en el eje (V1) Fig. 47 con la ranura en el husillo (W1).
2. Inserte la chaveta (X1) Fig. 48 por la ranura del eje y la ranura del husillo.
3. Golpee ligeramente la chaveta (X1) Fig. 48 con un martillo hasta que el adaptador del husillo y el portabrocas se separen del eje.

## VELOCIDADES DE TALADRADO CORRECTAS

Los factores determinantes de la velocidad correcta son 1) la pieza de trabajo, 2) el tamaño del orificio, 3) el tipo de broca u otro accesorio, y 4) la calidad del corte.

**⚠ ADVERTENCIA:** Utilice la velocidad recomendada para la prensa de taladro y la pieza de trabajo.





## TALADRADO EN MADERA

**▲ ADVERTENCIA:** Para reducir el riesgo de lesiones, ajuste todos los mangos de fijación antes de arrancar la máquina. Si pierde el control de la pieza de trabajo, puede sufrir lesiones graves.

Las brocas helicoidales, generalmente diseñadas para el taladrado en metal, pueden también ser utilizadas para perforar madera. Sin embargo, se prefieren las brocas horquilla para el trabajo con madera. Estas brocas cortan un orificio con fondo plano y están diseñadas para extraer astillas. No utilice brocas de destornillador. A las velocidades de la prensa de taladro, es posible que levanten y giren la pieza de trabajo.

Para perforar la pieza entera, alinee la pieza de modo que la broca la atraviese por el orificio central de la mesa. Trace una línea vertical en la parte delantera de la columna y una marca correspondiente en el soporte de la mesa y el cabezal de la prensa de taladro, de modo que la mesa y el cabezal de la prensa de taladro puedan ser sujetos con abrazaderas en la posición central a cualquier altura.

Alimente lentamente la broca en la pieza de trabajo cuando la broca se encuentre próxima a cortar la madera para evitar que se astille el plano inferior de la pieza. Utilice una pieza de madera de desecho como bloque de base debajo de la pieza para reducir el astillado y proteger la punta de la broca.

## TALADRADO EN METAL

**▲ ADVERTENCIA:** Para reducir el riesgo de lesiones, ajuste todos los mangos de fijación antes de arrancar la máquina. Si pierde el control de la pieza de trabajo, puede sufrir lesiones graves.

Utilice abrazaderas para sujetar las piezas de trabajo de metal. Nunca sujete la pieza de trabajo con su manos. La broca puede asirse se la pieza de trabajo en cualquier momento, especialmente al perforar la pieza, y dañar la máquina o lesionar al operador. La broca se romperá si la pieza golpea contra la columna.

Sujete firmemente con abrazaderas la pieza de trabajo. Cualquier inclinación, torsión o desplazamiento resulta no sólo en una mala perforación, sino que además en que la broca se rompa. Para piezas planas, repóselas sobre una base de madera y sujételas firmemente con abrazaderas contra la mesa para evitar que gire. Si la pieza es de forma irregular y no puede reposarse plana contra la mesa, fíjela bien con abrazaderas o bloques.

# LOCALIZACION DE FALLAS

Para obtener asistencia para su máquina, visite nuestro sitio Web en [www.deltaportercable.com](http://www.deltaportercable.com) para tener acceso a una lista de centros de servicio o llame a la línea de ayuda de DELTA Machinery al 1-800-223-7278. (En Canadá, llame al 1-800-463-3582.)

# MANTENIMIENTO

**▲ ADVERTENCIA:** Para reducir el riesgo de lesiones personales graves, apague la herramienta y desconéctela de la fuente de alimentación antes de instalar y retirar accesorios, ajustar o cambiar configuraciones o realizar reparaciones. Un arranque accidental podría causar lesiones.

## MANTENGA LA MÁQUINA LIMPIA

Periódicamente sople por todas las entradas de aire con aire comprimido seco. Todas las piezas de plástico deben limpiarse con un paño suave y húmedo. NUNCA utilice solventes para limpiar las piezas de plástico. Podrían derretirse o dañar el material.

**▲ ADVERTENCIA:** Utilice equipo de seguridad certificado para proteger sus ojos, oídos y vías respiratorias cuando use aire comprimido.

## FALLA EN EL ENCENDIDO

Si la máquina no enciende, verifique que las patas del enchufe del cable hagan buen contacto en el tomacorriente. Además, revise que no hayan fusibles quemados o interruptores automáticos de circuito abierto en la línea.

## LUBRICACIÓN Y PROTECCIÓN CONTRA ÓXIDO

Aplique semanalmente cera en pasta para pisos a la mesa de la máquina y a la extensión u otra superficie de trabajo. También puede usar productos protectores disponibles en comercios y diseñados con este propósito. Siga las instrucciones del fabricante para su uso y seguridad.

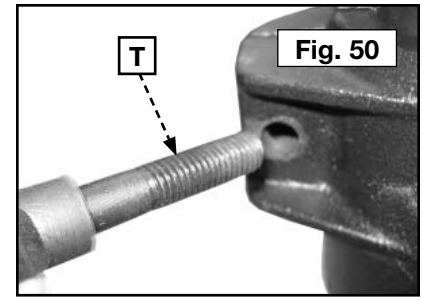
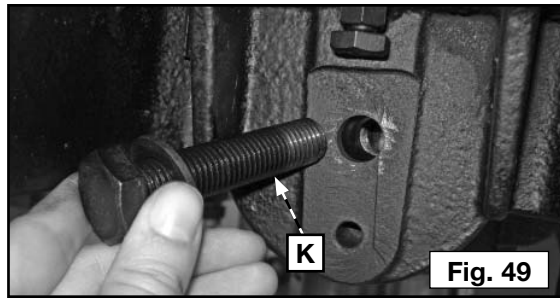
Para limpiar el óxido de las mesas de hierro fundido, necesitará los siguientes materiales: una almohadilla para fregar de tamaño mediano, una lata de lubricante en aerosol y una lata de desgrasador. Aplique el lubricante en aerosol y pula la superficie de la mesa con la almohadilla para fregar. Desgrase la mesa y luego aplique el producto protector como se muestra más arriba.

## REVISE LAS CORREAS

Ocasionalmente revise las correas para verificar que no estén desgastadas y cámbielas si es necesario.

## REVISE LOS PERNOS

Ocasionalmente retire el perno de compresión de la articulación (K) Fig. 49 y el perno de compresión de la mesa (T) Fig. 50 y limpie todo el polvo y otros desechos. También asegúrese de limpiar cualquier polvo o desecho que haya en el orificio con un cepillito (como un cepillo de dientes viejo).



## SERVICIO

### PIEZAS DE REPUESTO

Utilice sólo piezas de repuesto idénticas. Para obtener una lista de las piezas o para solicitarlas, visite nuestro sitio Web en [www.deltaportercableservicenot.com](http://www.deltaportercableservicenot.com). También puede solicitar piezas en una de nuestras sucursales o centros de mantenimiento con garantía autorizados más cercanos, o llamando a End User Services (Servicios para el usuario final) al (800) 223-7278 para obtener asistencia personalizada de uno de nuestros representantes altamente capacitados.

### REEMPLAZO GRATUITO DE LAS ETIQUETAS DE ADVERTENCIA

Si las etiquetas de advertencia se tornan elegibles o se pierden, llame al 1-800-223-7278 para reemplazarlas sin costo alguno.

### MANTENIMIENTO Y REPARACIONES

Con el paso del tiempo, todas las herramientas de calidad requieren mantenimiento o reemplazo de las piezas. Para obtener información acerca de DELTA Machinery y sus sucursales o para localizar un centro de mantenimiento con garantía autorizado, visite nuestro sitio Web en [www.deltaportercable.com](http://www.deltaportercable.com) o llame a End User Services (Servicios para el usuario final) al (800) 223-7278. Todas las reparaciones realizadas en nuestros centros de mantenimiento están completamente garantizadas en relación con los materiales defectuosos y la mano de obra. No podemos otorgar garantías en relación con las reparaciones ni los intentos de reparación de otras personas. Si llama a este número, también encontrará las respuestas a las preguntas más frecuentes durante las 24 horas del día.

Asimismo, para obtener información puede escribirnos a DELTA Machinery, 4825 Highway 45 North, Jackson, TN 38302-2468 - Attention: End User Services. Asegúrese de incluir toda la información mencionada en la placa de la herramienta (número de modelo, tipo, número de serie, código de fecha, etc.)

## ACCESORIOS

#### ⚠ ADVERTENCIA:

Puesto que los accesorios con excepción de éstos ofrecidos por DELTA no se han probado con este producto, el uso de tales accesorios podría ser peligroso. Para reducir el riesgo de lesiones, solamente el DELTA recomendó los accesorios se debe utilizar con este producto.

Una línea completa de accesorios está disponible de su surtidor de Porter-Cable • DELTA, centros de servicio de la fábrica de Porter-Cable • DELTA, y estaciones autorizadas DELTA. Visite por favor nuestro Web site [www.deltaportercable.com](http://www.deltaportercable.com) para un catálogo o para el nombre de su surtidor más cercano.



**⚠ WARNING:** To reduce the risk of injury, use only accessories recommended by DELTA. Use of any other accessories may result in injury or damage to the tool. Always use proper technique and use accessories as recommended. Read the manual and warnings carefully. Do not use tools or accessories if they are damaged or if they do not meet the manufacturer's specifications. Do not use tools or accessories if they are not specifically designed for use with this tool. Do not use tools or accessories if they are not specifically designed for use with this tool. Do not use tools or accessories if they are not specifically designed for use with this tool.

**⚠ ADVERTENCIA:** Para reducir el riesgo de lesiones, utilice sólo los accesorios recomendados por DELTA. El uso de cualquier otro accesorio puede resultar en lesiones o daños a la herramienta. Siempre utilice la técnica correcta y utilice los accesorios como se indica en el manual. Lea el manual y las advertencias con cuidado. No utilice herramientas o accesorios si están dañados o si no cumplen con las especificaciones del fabricante. No utilice herramientas o accesorios si no están específicamente diseñados para usarse con esta herramienta. No utilice herramientas o accesorios si no están específicamente diseñados para usarse con esta herramienta. No utilice herramientas o accesorios si no están específicamente diseñados para usarse con esta herramienta.

**⚠ AVERTISSEMENT:** Pour réduire le risque de blessure, utilisez uniquement les accessoires recommandés par DELTA. L'utilisation de tout autre accessoire peut entraîner des blessures ou des dommages à l'outil. Utilisez toujours la bonne technique et utilisez les accessoires comme il est recommandé. Lisez attentivement le manuel et les avertissements. Ne pas utiliser d'outils ou d'accessoires s'ils sont endommagés ou s'ils ne répondent pas aux spécifications du fabricant. Ne pas utiliser d'outils ou d'accessoires s'ils ne sont pas spécialement conçus pour être utilisés avec cet outil. Ne pas utiliser d'outils ou d'accessoires s'ils ne sont pas spécialement conçus pour être utilisés avec cet outil.

# PÓLIZA DE GARANTÍA

## IDENTIFICACIÓN DEL PRODUCTO:

Sello o firma del Distribuidor.Nombre del producto: \_\_\_\_\_ Mod./Cat.: \_\_\_\_\_  
Marca: \_\_\_\_\_ Núm. de serie: \_\_\_\_\_ (Datos para ser llenados por el distribuidor)  
Fecha de compra y/o entrega del producto: \_\_\_\_\_ Nombre y domicilio del distribuidor  
donde se adquirió el producto: \_\_\_\_\_

Este producto está garantizado por tres años de garantía limitada a partir de la fecha de entrega, contra cualquier defecto en su funcionamiento, así como en materiales y mano de obra empleados para su fabricación. Nuestra garantía incluye la reparación o reposición del producto y/o componentes sin cargo alguno para el cliente, incluyendo mano de obra, así como los gastos de transportación razonablemente erogados derivados del cumplimiento de este certificado. Para hacer efectiva esta garantía deberá presentar su herramienta y esta póliza sellada por el establecimiento comercial donde se adquirió el producto, de no contar con ésta, bastará la factura de compra.

## EXCEPCIONES

Esta garantía no será válida en los siguientes casos:

- Cuando el producto se hubiese utilizado en condiciones distintas a las normales;
- Cuando el producto no hubiese sido operado de acuerdo con el instructivo de uso que se acompaña;
- Cuando el producto hubiese sido alterado o reparado por personas distintas a las enlistadas al final de este certificado.

Anexo encontrará una relación de sucursales de servicio de fábrica, centros de servicio autorizados y franquiciados en la República Mexicana, donde podrá hacer efectiva su garantía y adquirir partes, refacciones y accesorios originales.

---

### PARA REPARACIÓN Y SERVICIO DE SUS HERRAMIENTAS ELÉCTRICAS, FAVOR DE DIRIGIRSE AL CENTRO DE SERVICIO MÁS CERCANO

#### **CULIACAN, SIN**

Blvd. Emiliano Zapata 5400-1 Poniente  
Col. San Rafael (667) 717 89 99

#### **GUADALAJARA, JAL**

Av. La Paz #1779 - Col. Americana Sector Juárez (33) 3825 6978

#### **MEXICO, D.F.**

Eje Central Lázaro Cárdenas No. 18  
Local D, Col. Obrera (55) 5588 9377

#### **MERIDA, YUC**

Calle 63 #459-A - Col. Centro (999) 928 5038

#### **MONTERREY, N.L.**

Av. Francisco I. Madero 831 Poniente - Col. Centro (818) 375 23 13

#### **PUEBLA, PUE**

17 Norte #205 - Col. Centro (222) 246 3714

#### **QUERETARO, QRO**

Av. San Roque 274 - Col. San Gregorio (442) 2 17 63 14

#### **SAN LUIS POTOSI, SLP**

Av. Universidad 1525 - Col. San Luis (444) 814 2383

#### **TORREON, COAH**

Blvd. Independencia, 96 Pte. - Col. Centro (871) 716 5265

#### **VERACRUZ, VER**

Prolongación Díaz Mirón #4280 - Col. Remes (229) 921 7016

#### **VILLAHERMOSA, TAB**

Constitución 516-A - Col. Centro (993) 312 5111

#### **PARA OTRAS LOCALIDADES:**

**Si se encuentra en México, por favor llame al (55) 5326 7100**

**Si se encuentra en U.S., por favor llame al  
(800) 223-7278**

# GARANTIA

Para registrar la herramienta para obtener el mantenimiento cubierto por la garantía de la herramienta, visite nuestro sitio web en [www.deltaportercable.com](http://www.deltaportercable.com).

## Garantía limitada de cinco años para productos nuevos

DELTA reparará o reemplazará, a expensas y opción propias, cualquier máquina nueva, pieza de máquina nueva o accesorio de máquina nuevo DELTA que durante el uso normal haya presentado defectos de fabricación o de material, siempre que el cliente devuelva el producto con el transporte prepago a un centro de servicio de fábrica DELTA o una estación de servicio autorizado DELTA, con un comprobante de compra del producto, dentro del plazo de cinco años y dé a DELTA una oportunidad razonable de verificar el supuesto defecto mediante la realización de una inspección. Para todos los productos DELTA reacondicionados, el período de garantía es de 180 días. DELTA no será responsable de ningún defecto alegado que haya resultado del desgaste normal, uso indebido, abuso o reparación o alteración realizada o autorizada específicamente por alguien que no sea un centro de servicio autorizado DELTA o un representante autorizado DELTA. DELTA no será responsable en ninguna circunstancia de los daños incidentales o emergentes que se produzcan como resultado de productos defectuosos. Algunos estados no permiten la exclusión o limitación de los daños incidentales o resultantes, por lo que la limitación o exclusión anterior puede no aplicarse a usted. Esta garantía es la única garantía de DELTA y establece el recurso exclusivo del cliente en lo que respecta a los productos defectuosos; DELTA rechaza expresamente todas las demás garantías, expresas o implícitas, tanto de comerciabilidad como de idoneidad para un propósito o de cualquier otro tipo. Para mayores detalles sobre la cobertura de la garantía e información acerca de reparaciones realizadas bajo garantía, visítenos en [www.deltaportercable.com](http://www.deltaportercable.com) o diríjase al centro de servicio más cercano (888) 848-5175. Esta garantía no aplica a accesorios o a daños causados por reparaciones realizadas o intentadas por terceros. Esta garantía le otorga derechos legales específicos, además de los cuales puede tener otros dependiendo del estado o provincia en que se encuentre.

**AMÉRICA LATINA:** Esta garantía no se aplica a los productos que se venden en América Latina. Para los productos que se venden en América Latina, debe consultar la información de la garantía específica del país que viene en el empaque, llamar a la compañía local o visitar el sitio Web a fin de obtener esa información.

### ESPECIFICACIONES

#### MODEL 18-900L

Tensión de alimentación:	120 V AC~
Consumo de corriente:	8 A
Frecuencia de operación:	60 Hz
Rotación sin carga:	170 - 3 000 rpm

SOLAMENTE PARA PROPÓSITO DE MÉXICO:  
IMPORTADO POR: DELTA S.A. DE C.V.  
BOSQUES DE CIDROS, ACCESO RADIATAS NO.42  
3A. SECCIÓN DE BOSQUES DE LAS LOMAS  
DELEGACIÓN CUAJIMALPA,  
05120, MÉXICO, D.F.  
TEL. (52) 555-326-7100  
R.F.C.: BDE810626-1W7

Para servicio y ventas consulte  
"HERRAMIENTAS ELECTRICAS"  
en la sección amarilla.



The following are trademarks for one or more Porter-Cable and DELTA products: • Les marques suivantes sont des marques de commerce se rapportant à un ou plusieurs produits Porter-Cable ou DELTA : • Las siguientes son marcas comerciales para uno o más productos de Porter-Cable y DELTA:

2 BY 4®, 890™, Air America®, AIRBOSS™, Auto-Set®, B.O.S.S.®, Bammer®, Biesemeyer®, Builders Saw®, Charge Air®, Charge Air Pro®, CONTRACTOR SUPERDUTY®, Contractor's Saw®, Delta®, DELTA®, DELTA Industrial®, DELTA MACHINERY & DESIGN™, DELTA Shopmaster and Design®, DELTA X5®, Deltacraft®, DELTAGRAM®, Do It. Feel It.®, DUAL LASERLOC AND DESIGN®, EASY AIR®, EASY AIR TO GO™, ENDURADIAMOND®, Ex-Cell®, Front Bevel Lock®, Get Yours While the Sun Shines®, Grip to Fit®, GRIPVAC™, GTF®, HICKORY WOODWORKING®, Homecraft®, HP FRAMER HIGH PRESSURE®, IMPACT SERIES™, Innovation That Works®, Jet-Lock®, Job Boss®, Kickstand®, LASERLOC®, LONG-LASTING WORK LIFE®, MAX FORCE™, MAX LIFE®, Micro-Set®, Midi-Lathe®, Monsoon®, MONSTER-CARBIDE™, Network®, OLDHAM®, Omnijig®, PC EDGE®, Performance Crew™, Performance Gear®, Pocket Cutter®, Porta-Band™, Porta-Plane®, Porter Cable®, Porter-Cable Professional Power Tools®, Powerback®, POZI-STOP™, Pressure Wave®, PRO 4000®, Proair®, Quicksand and Design®, Quickset II®, QUIET DRIVE TECHNOLOGY™, QUIET DRIVE TECHNOLOGY AND DESIGN™, Quik-Change®, QUIK-TILT®, RAPID-RELEASE™, RAZOR®, Redefining Performance®, Riptide®, Safe Guard II®, Sand Trap and Design®, Sanding Center®, Saw Boss®, Shop Boss®, Sidekick®, Site Boss®, Speed-Bloc®, Speedmatic®, Stair Ease®, Steel Driver Series®, SUPERDUTY®, T4 & DESIGN®, THE AMERICAN WOODSHOP®, THE PROFESSIONAL EDGE®, Thin-Line®, Tiger Saw®, TIGERCLAW®, TIGERCLAW AND DESIGN®, Torq-Buster®, TRU-MATCH®, T-Square®, Twinlaser®, Unifence®, Uniguard®, UNIRIP®, UNISAW®, UNITED STATES SAW®, Veri-Set®, Versa-Feeder®, VIPER®, VT™, VT RAZOR™, Water Driver®, WATER VROOM®, Waveform®, Whisper Series®, X5®, YOUR ACHIEVEMENT. OUR TOOLS.®

Trademarks noted with ® are registered in the United States Patent and Trademark Office and may also be registered in other countries. Other trademarks may apply. • Les marques de commerce suivies du symbole ® sont enregistrées auprès du United States Patent and Trademark Office et peuvent être enregistrées dans d'autres pays. D'autres marques de commerce peuvent également être applicables. • Las marcas comerciales con el símbolo ® están registradas en la Oficina de patentes y marcas comerciales de Estados Unidos (United States Patent and Trademark Office), y también pueden estar registradas en otros países. Posiblemente se apliquen otras marcas comerciales registradas.



DELTA Machinery, 4825 Highway 45 North, Jackson, TN 38302-2468

(800) 223-7278 - U.S. • (800) 463-3582 - CANADA

[www.deltaportercable.com](http://www.deltaportercable.com)

Copyright © 2010 DELTA Machinery • N081935 - JUN10