

Lighting Suspension Systems

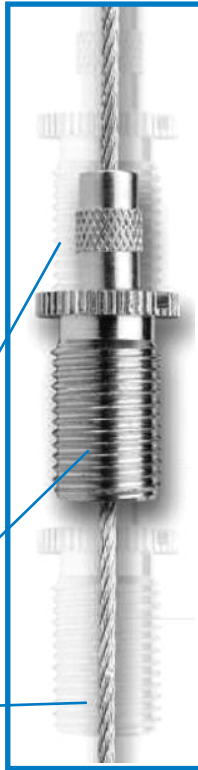
Overview	P2-P3
Grippers:	
Mini & Micro Grippers for 3/64" (1.19mm) and 1/16" (1.59mm) cable	P4
Grippers for 1/16" (1.59 mm) and 3/32" (2.38mm) cable	P5
Side Exit Grippers	P6-P7
Power Feed Blank Tubes	P7
V - Assemblies / Cross Cables and Fixture Suspension Kits	P8
Cable Couplers	P9
Barrel Style Cable Couplers	P10
Canopies & Crossbars	P11
Cable Gripper Accessories and Hardware:	
T-Bars	P12
Accessory Adapters, Bolts with through Holes, Screws, Hooks, etc.	P12
Cable Loops, Stop Sleeves and Ferrules	P13
Locknuts	P13
Cable Hardware:	
Cable Assemblies	P14
Cable	P15
Double Looping Grippers & Kwik Lock Connectors	P16
Cable Suspension Kits	P17-P26

Etlin-Daniels reserves the right to discontinue, modify designs and change specifications without incurring obligation. While every effort is made to ensure that descriptions, specifications and other information in this catalogue are correct, no warranty is given in respect thereof and the company shall not be liable for any error herein.
Copyright © 2011 Etlin-Daniels

CABLE SUSPENSION SYSTEMS

Overview

These Grippers easily slide up and down the cable with a touch of your finger tip. Saving installation time and labor making adjustments easy and secure



Safety Nut
Gripper
Stainless steel suspension cable

Attach any product you wish to hang. Grippers are available for many different connection methods to hang any suspended items.



How Cable Grippers Work

1. Loosen the safety nut a few turns by turning counter clockwise.
2. Simply push down the plunger and slide the gripper up or down the cable to the desired height.
3. Let go and it stops and automatically locks in place.
4. Turn the safety nut clockwise until tight. That easy!

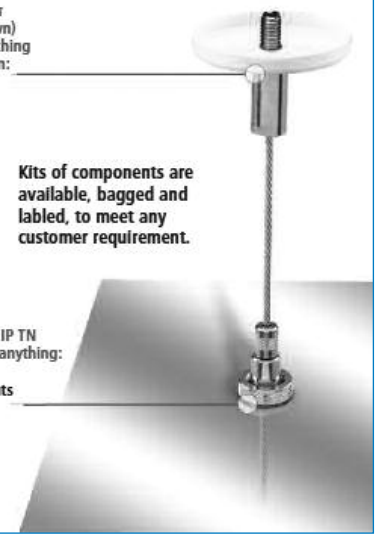
With our many coupler styles (CC-1/4-20 shown) you can attach to anything you want to hang from:

- J Boxes
- T-Bars
- UniStrut
- Sheetrock
- Masonary
- Wood

Kits of components are available, bagged and labled, to meet any customer requirement.

With our many Cable Gripper styles (GR 1/4 IP TN shown) you can hang anything:

- Drop Ceilings
- Light Fixture Pendants
- Signs
- Displays
- Shelves
- Picture Frames



When working with Etlin-Daniels cable suspension systems, here are some guidelines:

- Use only 7x7 or 7x19 uncoated stainless or galvanized steel aircraft cable.
- Always leave at least 1" of cable beyond the body of the gripper.
- Only use a purpose built cutting tool to cut off the excess cable.
- DO NOT feed excess cable into a fixture housing or junction box containing electrical wiring.
- Adhere strictly to the Weight Load Guidelines. Only use cables of the proper diameter along
- These cable suspension systems are not recommended for outdoor use. It should not be exposed to water, wind or continous oscillation. Avoid placing fixtures close to HVAC vents or corrosive environments such as plants which use harsh chemicals or swimming pools.
- make sure to comply with all local codes and where applicable national codes.
- It is the responsibility of the buyer/ installer and / or specifying engineer to do so.
- DO NOT APPLY LUBRICANT to any part of the assembly.

Etlin Daniels cables are 7 x 7 galvanized or stainless steel 330,000 psi aircraft cable and are factory fitted with a variety of stop-sleeves, either swagged steel or molded zinc. The terminals are guaranteed to the full published break-weight of the cable. Please refer to the "WEIGHT LOADS" below.

WEIGHT LOADS: ALWAYS APPLY 1 TO 5 RATIO STATIC LOAD TO MINIMIZE BREAK STRENGTH						
Cable Diameter		Minimum Break-Strength with Cable Gripper				
Inches	MM	MICRO	MINI	KL-100	KL-150	KL-200
1/32"	1.0	145 lbs				
3/64"	1.2	165 lbs	165 lbs			
	1.5		275 lbs	275 lbs		
1/16"	1.6		275 lbs	275 lbs		
	1.8			330 lbs		
5/64"	2.0			440 lbs		440 lbs
3/32"	2.4			615 lbs	615 lbs	615 lbs
	2.5				660 lbs	660 lbs
	3.0				900 lbs	900 lbs
1/8"	3.2				1100 lbs	1100 lbs
3/16"	4.8					2550 lbs
	5.0					

CABLE SUSPENSION SYSTEMS

Overview (continued)

P3

THREAD DESIGNATION	THREAD DIAMETER	FIXTURE KO SIZE
1/8IPS = 1/8-27 NPSM	3/8"	7/16"
1/4IPS = 1/4-18 NPSM	1/2"	9/16"
3/8IPS = 3/8-18 NPSM	5/8"	11/16"
1/2IPS = 1/2-14 NPSM	13/16" "	7/8"
10-32	0.19"	3/16"
1/4-20	0.24"	1/4"
3/8-16	0.38	7/16"
M4	0.16"	5/32"
M6	0.24"	1/4"
M8	0.31"	5/16"
M10	0.39"	7/16"
M12	0.47"	1/2"
M13	0.51"	9/16"
M16	0.63"	11/16"

Testing

Results were analyzed and the lowest amount for type of gripper and type of cable is listed and is shown in pounds. Cable Grippers recommends a safety factor of 80%. Therefore the weights listed for 1 or 2 cables are 20% of the minimum breaking results.

Specifications

All dimensions, weights, sizes, strengths and other specifications shown in this catalog are for reference only and subject to change without notice. Actual conditions may vary, and we recommend that users test their products with all the components of their system. The manufacturer and user of the end product are responsible for their applications, and compliance with all local, state, and federal safety regulations.

Manufacturing

Our cable assembly manufacturing facility has produced millions of cable assemblies. We are proud of our products and our philosophy. It is our goal to offer quality suspension components at competitive prices.

Sales Policies and Terms

All sales are final. Open account terms will be extended to companies with approved credit. Terms are Net 30 days, unless otherwise noted, prices quoted are F.O.B. shipping point. All orders are subject to acceptance by Etlin Daniels Inc. We cannot be held responsible for delays or non fulfillment due to riot, fire, flood, strikes, or other causes beyond our control. All prices are subject to change without notice. Prices are based on costs and conditions on date of quotation and are subject to change by seller before final acceptance. All annual orders to be shipped complete within a one-year period from date of order.

Warranty

Etlin Daniels, Inc. products are unconditionally guaranteed against manufacturing defects. Any item found defective will be replaced or adjustment made provided we are notified promptly upon receipt. We reserve the right to request that an item be returned to us for examination and cannot be responsible for labor charges incurred in replacement of any item. Our liability for defects on any item shall not exceed its replacement cost to us. Debit memos will not be accepted without authorization from us. Please contact us for a RGA (return goods authorization). Etlin Daniels Inc. will not accept any liability arising from performance of product assembled by other parties Etlin Daniels Liability Insurance covers each individual Etlin Daniels component. In addition it provides coverage for the entire system (factory-cut and swaged or molded cable, ceiling attachments and grippers) when professionally installed according to our weight-load specifications and those mandated by federal, state and local ordinance. Etlin Daniels Inc., its employees, agents and assigns waive all liability for accidents or failures due to field or nonfactory- installed cable crimps and/or modifications to the system using non-Etlin Daniels parts.

MICRO GRIPPERS AND MINI GRIPPERS

P4

Compact designed grippers allow swift installation and instant adjustment without damaging the wire. We have many different gripper models to choose from, depending on your area of usage and weight capacities

Micro Grippers for 3/64" cable (1.19 mm)



MICRO-GR-SN



MICRO-GR

Model	Specs.	Safety Nut	For Cable Sizes	Cable Exits	Height Excluding Plunger	Max OD of Body	Outside Thread & Diameter	Mounting Depth	Mounting Hole	Mounting Nut
MICRO-GR-SN	Micro-Gripper	Yes	3/64" (1 mm)	Bottom	0.4725"	0.35"	5/16"-24 (0.305") MALE	0.385"	0.320"	LN-5/16 included
MICRO-GR	Micro-Gripper	No	3/64" (1 mm)	Bottom	0.4725"	0.35"	5/16"-24 (0.305") MALE	0.385"	0.320"	LN-5/16 included

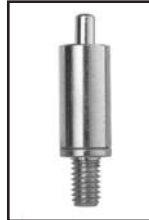
Mini Grippers for 3/64" (1.19 mm) and 1/16" (1.59 mm) cable



MGR-10/32



MGR-1/4-20



MGR-M6-MM



MGR-1/8-IP-S



MGR-1/8-IP-GS

Model	Specs.	Safety Nut	For Cable Sizes	Cable Exits	Height Excluding Plunger	Max OD of Body	Outside Thread & Diameter	Mounting Depth	Mounting Hole	Mounting Nut
MGR-10/32	Mini Gripper	No	3/64" (1.19mm) & 1/16" (1.59 mm)	Bottom	1.172"	0.402"	10/32"(0.185")	0.375" MALE	0.250"	included
MGR-1/4-20	Mini Gripper	Yes	3/64" (1.19mm) & 1/16" (1.59 mm)	Bottom	1.254"	0.400"	1/4-20 (0.247")	0.450" MALE	0.250"	LN-1/4-20 not included
MGR-M6 MM	Mini Gripper	No	3/64" (1.19mm) & 1/16" (1.59 mm)	Bottom	0.835"	0.392"	M6 (0.227")	0.227" MALE	0.250"	not included
MGR-1/8-IP-S	Mini Gripper	Yes	3/64" (1.19mm) & 1/16" (1.59 mm)	Bottom	0.669"	0.498"	1/8 IP (0.383")	0.383" MALE	0.437"	LN 1/8 IP not included
MGR-1/8-IP-GS	Mini Gripper	Yes	3/64" (1.19mm) & 1/16" (1.59 mm)	Bottom	0.666"	0.63"	1/8 IP (0.383")	0.383 MALE	0.437"	included

GRIPPERS

Grippers for 1/16" (1.59 mm) and 3/32" (2.38 mm) cable

P5



GR-1/4-IP



GR-3/8-IP



GR-1/4-IP-TN



GR-1/4-IP-ALL



GR-3/32-LP

Model	Specs.	Safety Nut	For Cable Sizes	Cable Exits	Height Excluding Plunger	Max OD of Body	Outside Thread & Diameter	Mounting Depth	Mounting Hole	Mounting Nut
GR-1/4-IP	Gripper	Yes	1/16" (1.59mm) & 3/32"(2.38 mm)	Bottom	0.795"	0.744"	1/4-IP (0.516")	0.673" MALE	0.562" (14.29 mm)	LN-1/4-IP not included
GR-3/8 IP	Gripper	Yes	1/16" (1.59mm) & 3/32"(2.38 mm)	Bottom	0.795"	0.885"	3/8-IP (0.655)	0.675" MALE	0.660" (17.46 mm)	LN-3/8-IP nut not included
GR-1/4-IP-TN	Gripper	Yes	1/16" (1.59mm) & 3/32"(2.38 mm)	Bottom	0.785"	0.744"	1/4-IP (0.516")	0.516" MALE	0.200" (5.08 mm)	1/4-IP checkered nut included
GR-1/4-IP-ALL	Gripper	Yes	1/16" (1.59mm) & 3/32"(2.38 mm)	Bottom	0.785"	0.744"	1/4-IP (0.516")	0.516" MALE	0.562" (14.29 mm)	LN-1/4-IP not included
GR-3/32-LP	Looping Gripper	No	1/16" (1.59mm) & 3/32"(2.38 mm)	Top/Bottom	0.875"	1.065"	---	---	---	---

SIDE EXIT GRIPPERS

P6

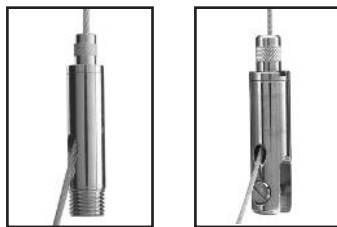
Side Exit Grippers For 3/64" (1.19mm) and 1/16" (1.59mm) Cable



MGR-SE-M4 MGR-SE-8/32 MGR-SE-1/4-20 MGR-SE-1/4-20-EXT MGR-SE-1/8-IP MGR-SE-ADJ-8/32 MGR-SE-EXT-ADJ-1/4-20 MGR-SE-HOOK

Model	Specs.	Safety Nut	For Cable Sizes	Cable Exits	Height Excluding Plunger	Max OD of Body	Thread	Mounting Depth	Mounting Hole	Mounting
MGR-SE-M4	Mini Gripper	No	3/64" (1.19mm) and 1/16" (1.59mm)	Side	1.132"	0.352"	M4	Internal Thread	---	M4 screw not included
MGR-SE-8/32	Mini Gripper	Yes	3/64" (1.19mm) and 1/16" (1.59mm)	Side	1.270"	0.389"	8-32	Internal Thread	---	8/32 screw not included
MGR-SE-1/4-20	Mini Gripper	Yes	3/64" (1.19mm) and 1/16" (1.59mm)	Side	1.270"	0.389"	1/4-20	Internal Thread	---	1/4-20 Hex screw not included
MGR-SE-1/4-20-EXT	Mini Gripper	No	3/64" (1.19mm) and 1/16" (1.59mm)	Side	1.663"	0.389"	1/4-20	0.188" MALE	0.250"	LN-1/4-IP nut not included
MGR-SE-1/8-IP	Mini Gripper	No	3/64" (1.19mm) and 1/16" (1.59mm)	Side	1.420"	0.389"	1/8-IP (0.383")	0.400" MALE	0.400"	LN-1/8-IP nut not included
MGR-SE-ADJ-8/32	Mini Gripper	Yes	3/64" (1.19mm) and 1/16" (1.59mm)	Side	1.440"	0.389"	8/32	Internal Thread	Moveable 180° Swivel	8/32 screw not included
MGR-SE-EXT-ADJ-1/4-20	Mini Gripper	Yes	3/64" (1.19mm) and 1/16" (1.59mm)	Side	1.450"	0.389"	1/4-20	Internal Thread	Moveable 180° Swivel	1/4-20 Hex screw not included
MGR-SE-HOOK	Mini Gripper	No	3/64" (1.19mm) and 1/16" (1.59mm)	Side	2.00"	0.350"	---	---	---	---

Side Exit Grippers For 3/64" (2mm) and 3/32" (2.38mm) Cable 2.5mm

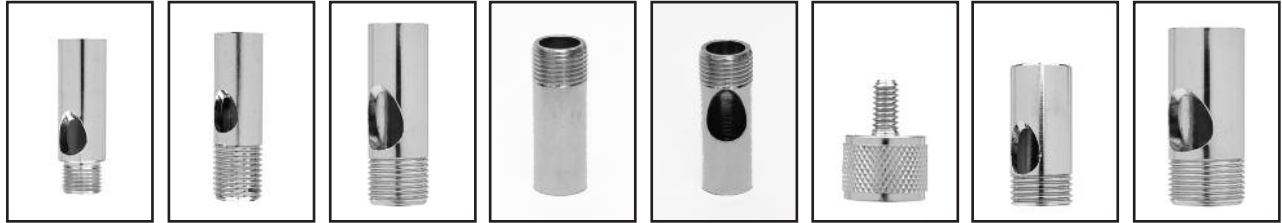
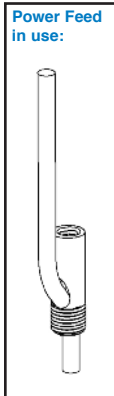


GR-SE-1/4 x 1/8-IPS GR-SE-BF

Model	Specs.	Safety Nut	For Cable Sizes	Cable Exits	Height Excluding Plunger	Max OD of Body	Thread	Mounting Depth	Mounting Hole	Mounting Nut
GR-SE-1/4 x 1/8-IPS	Gripper	Yes	3/64" (2mm) and 3/32" (2.38mm)	Side	1.375"	0.500"	1/8 IP INT or 1/4 IP EXT	1/8 IP Internal thread	0.562" (14.29 mm)	1/8 IP Screw or LN 1/4-IP nut not included
GR-SE-BF	Gripper	Yes	3/64" (2mm) and 3/32" (2.38mm)	Side	1.250"	0.375"	M4	Internal thread	---	M4 screw included

POWER FEED AND BLANK TUBES

Power Feed and Blank Tubes



PF -1/8-IP PF-1/4-IP PF-3/8-IP-SE PF-3/8-IP-BL PF-3/8-IP-CF A-3/8 X 1/4-20 PF-1/2-IP PF-3/4-IP-SB

Model	Specs.	To use with	Power Cord Enter/Exits	Bottom O.D. IPS Fixture	Top I.D. IPS Gripper	Overall Depth	Cord Hole Diameter	Mounting Nut
PF -1/8-IP (for MGR 1/8-IP Gripper)	Tube only	MGR-1/8-IP-S CC-CAP, CC-1/4X	Side or Bottom	1/8" IP	1/4" IP	1.50"	0.250"	LN-1/8-IP not included
PF-1/4-IP (for MGR 1/8-IP Gripper)	Tube only	MGR-1/8-IP CC-CAP, CC-1/4X	Side or Bottom	1/4" IP	1/8" IP	1.75"	0.300"	LN-1/4-IP not included
PF-3/8-IP-SE (for MGR 1/4-IP Gripper)	Tube only	GR-1/8-IP	Side or Bottom	3/8" IP	1/4" IP	1.86"	0.450"	LN-3/8-IP not included
PF-3/8-IP-BL	Tube only	GR-1/8-IP	Blank No-Hole	3/8" IP	1/4" IP	1.75"	N/A	LN-3/8-IP not included
PF-3/8-IP-CF	Tube only	GR-1/8-IP	Reverse hole for wire from ceiling	3/8" IP	1/4" IP	1.75"	0.450" reverse cut hole	LN-3/8-IP not included
A-3/8 X 1/4-20	Adapter only	GR-3/8-IP-CF	---	3/8" IP	1/4-20 thread	use at top to adapt wire from ceiling	N/A	N/A
PF-1/2-IP (for GR 3/8-IP Gripper)	Tube only	GR-3/8-IP	Side or Bottom	1/2" IP	3/8" IP	1.75"	0.450"	LN-1/2-IP not included
PF-3/4-IP-SB	Tube only	GR-1/2-IP	Side or Bottom	3/4" IP	1/2" IP	2.00"	N/A	LN-3/4-IP not included

Side Exit Grippers For 3/64" (1.19mm) and 1/16" (1.59mm) cable, with bottom cross cable option.



MGR-SE-1/4-20-BS



MGR-SE-TH

Model	Specs.	Safety Nut	For Cable Sizes	Cable Exits	Height Excluding Plunger	Max OD of Body	Cable Pass	Inside Thread	Mounting Nut
MGR-SE-1/4-20-BS	Mini Gripper	Yes	3/64" (1.19mm) and 1/16" (1.59mm)	Side	1.27"	0.389"	Slotted Pass Thru	1/4-20	1/4-20 Hex Set Screen included
MGR-SE-TH	Mini Gripper	No	3/64" (1.19mm) and 1/16" (1.59mm)	Side	1 132"	0.352"	Holes for cable pass thru	M4	M4 Thumbscrew included

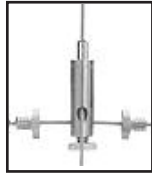
“V” ASSEMBLIES / CROSS CABLES AND FIXTURES SUSPENSION KITS

P8

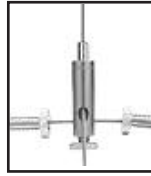
Complete “V” assemblies for balancing the fixture. Includes side exit grippers for 3/64" and 1/16" cable and ends for retaining fixture.



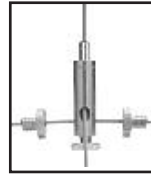
MGR-SE-TH-C3



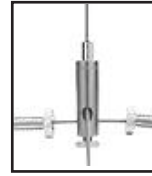
MGR-SE-TH-C4 -8-1/4



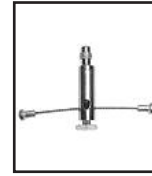
MGR-SE-TH-C4 -8-1/2



MGR-SE-TH-C4 -13-1/4



MGR-SE-TH-C4 -13-1/2



MGR-SE-TH-C5-5



MGR-SE-TH-C6-18-1/4

Model	Specs.	Safety Nut	For Cable Sizes	Cable Exits	Height Excluding Plunger	Max OD of Body	Cross Cable	Cable End Hardware	Cable Ends	Cross Cable Held By
MGR-SE-TH-C3	Mini Gripper	Yes	3/64" (1.19mm) and 1/16" (1.59mm)	Sides	1.25"	0.375"	1/16-8"	2 x Half Ball Ends	#2 1/2 Ball End	Thumbscrew
MGR-SE-TH-C4-8-1/4	Mini Gripper	No	3/64" (1.19mm) and 1/16" (1.59mm)	Sides	1.25"	0.375"	1/16-8"	1/4-20 0.5" long captive screws	#2 1/2 Ball End	Thumbscrew
MGR-SE-TH-C4-8-1/2	Mini Gripper	No	3/64" (1.19mm) and 1/16" (1.59mm)	Sides	1.25"	0.375"	1/16-8"	1/4-20 0.5" long captive screws	#2 1/2 Ball End	Thumbscrew
MGR-SE-TH-C4-13-1/4	Mini Gripper	No	3/64" (1.19mm) and 1/16" (1.59mm)	Sides	1.25"	0.375"	1/16-13"	1/4-20 .250" long captive screws	#2 1/2 Ball End	Thumbscrew
MGR-SE-TH-C4-13-1/2	Mini Gripper	No	3/64" (1.19mm) and 1/16" (1.59mm)	Sides	1.25"	0.375"	1/16-13"	1/4-20 0.5" long captive screws	#2 1/2 Ball End	Thumbscrew
MGR-SE-TH-C5-5	Mini Gripper	No	3/64" (1.19mm) and 1/16" (1.59mm)	Sides	1.25"	0.375"	1/16-5"	Mush Room Ends #5	Same	Thumbscrew
MGR-SE-TH-C6-18-1/4	Mini Gripper	Yes	3/64" (1.19mm) and 1/16" (1.59mm)	Sides	1.25"	0.375"	3/64-18"	1/4-20 0.25" long captive screws	#2 1/2 Ball End	Thumbscrew

Cross Cable, 1/16" stainless steel, with #2 1/2 balls ends and captive 1/4-20-knurled thru screws. For use with MGR-SE-1/4-20-BS Gripper or CC-1/16 cross cable coupler.



MODEL	CABLE SIZE	CABLE LENGTH	CABLE END HARDWARE	CABLE ENDS
C-1/16-8-BH-1/4	1/16	8"	BH-1/4-20-1/4" long, capive	#2 1/2 Ball End
C-1/16-8-BH-1/2	1/16	8"	BH-1/4-20-1/2" long, capive	#2 1/2 Ball End
C-1/16-12-BH-1/4	1/16	12"	BH-1/4-20-1/4" long, capive	#2 1/2 Ball End
C-1/16-12-BH-1/2	1/16	12"	BH-1/4-20-1/2" long, capive	#2 1/2 Ball End
C-1/16-18-BH-1/4	1/16	18"	BH-1/4-20-1/4" long, capive	#2 1/2 Ball End
C-1/16-18-BH-1/2	1/16	18"	BH-1/4-20-1/2" long, capive	#2 1/2 Ball End
C-1/16-24-BH-1/4	1/16	24"	BH-1/4-20-1/4" long, capive	#2 1/2 Ball End
C-1/16-24-BH-1/2	1/16	24"	BH-1/4-20-1/2" long, capive	#2 1/2 Ball End

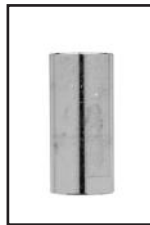
CABLE COUPLERS

Cable Couplers accept 3/64", 1/16" 5/64" and 3/32" cables with die cast ends #1 and #2

P9



CC-1/4X 1/8-IP



CC-1/4-20



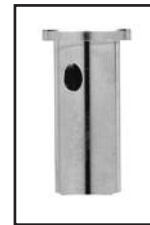
CC-SLOT



CC-SE-CAP



CC-CAP



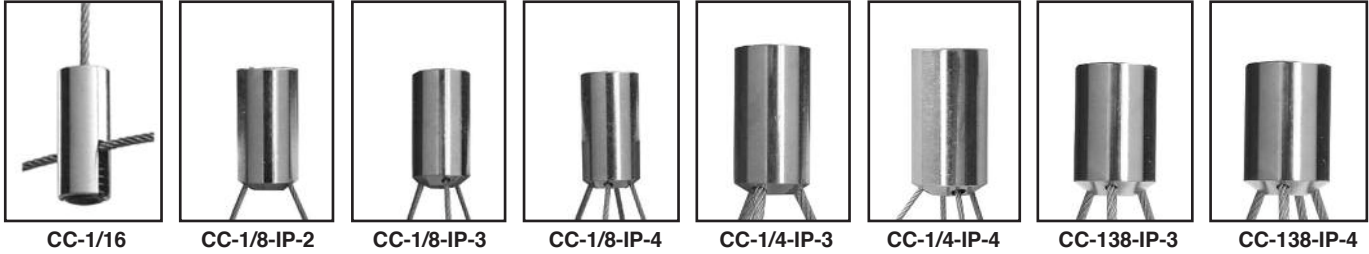
CC-SE

Model	Specs.	Construction	No. of Cables	Cable Exits	For Cables with	Description	Mounting
CC-1/4X 1/8-IP	Cable Coupler	2 piece 1"H x 0.491" W	1	Bottom	#1 or #2 ball ends	Has slip ring to hold canopy in place	1/4-20 inside thread
CC-1/4-20	Cable Coupler	1 piece 1"H x 0.491" W	1	Bottom	#1 or #2 ball ends	---	1/4-20 inside thread
CC-Slot	Cable Coupler	2 piece 0.817"H x 0.588" W	1	Bottom Angled Slot	#1 or #2 ball ends	Hangs straight on slope ceiling or walls	1/4-20 inside thread
CC-SE-CAP	Cable Coupler	2 piece 1.25"H x 0.5"W	1	Side	#1 or #2 ball ends	0.20" Hole on side	1/8-IP inside thread
CC-CAP	Cable Coupler	1 piece	1	Bottom	#1 or #2 ball ends	Cap only,	1/8-IP external thread
CC-SE	Cable Coupler	1 piece 1.1" H x 0.5" W	1	Side	#1 or #2 ball ends	Rear flanged part has hole for mounting screw	1/8-IP inside thread

BARREL STYLE CABLE COUPLERS

P10

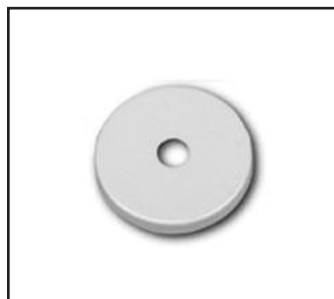
Barrel Style Couplers for Multiple 3/64" Cables



Model	Specs.	Construction	For Cable Sizes	Cable Exits	No. of Cables	Dimensions	For Use With	Mounting
CC-1/16	Cable Coupler	1 Piece	3/64" (1mm)	Bottom	1	0.669"H x 0.273"W	Cross Cable	slot/set screw included
CC-1/8-IP-2	Cable Coupler	1 Piece	3/64" (1mm)	Bottom	2	1.19"H x 0.784"W	#2 ball end cable	1/8" IP Female
CC-1/8-IP-3	Cable Coupler	1 Piece	3/64" (1mm)	Bottom	3	1.19"H x 0.784"W	#2 ball end cable	1/8" IP Female
CC-1/8-IP-4	Cable Coupler	1 Piece	3/64" (1mm)	Bottom	4	1.19"H x 0.784"W	#2 ball end cable	1/8" IP Female
CC-1/4-IP-3	Cable Coupler	1 Piece	3/64" (1mm)	Bottom	3	1.17"H x 0.61"W	#2 ball end cable	1/4" IP Female
CC-1/4-IP-4	Cable Coupler	1 Piece	3/64" (1mm)	Bottom	4	1.17"H x 0.61"W	#2 ball end cable	1/4" IP Female
CC-3/8-IP-3	Cable Coupler	1 Piece	3/64" (1mm)	Bottom	3	1.19"H x 0.78"W	#2 ball end cable	3/8" IP Female
CC-3/8-IP-4	Cable Coupler	1 Piece	3/64" (1mm)	Bottom	4	1.19"H x 0.78"W	#2 ball end cable	3/8" IP Female

CANOPIES & CROSSBARS

White Canopies for mounting to J Boxes, ceilings, and walls



CAN-2-1-W



CAN-5-1-W

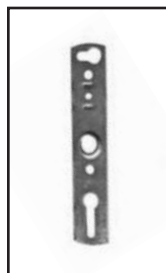


CAN-5-2-W

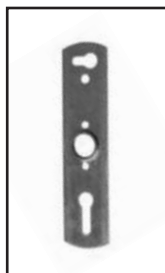
Model	Specs.	Construction	Diameter	Center Hole	Power Feed Hole	Thickness
CAN-2-1-W	White Canopy	Powder Coat Steel	2"	.400" for 1/8"IP	None	0.29"
CAN-5-1-W	White Canopy	Powder Coat Steel	5"	.400" for 1/8"IP	None	0.29"
CAN-5-2-W	White Canopy	Powder Coat Steel	5"	.400" for 1/8"IP	0.625"	0.29"

Available in other colors as special order.

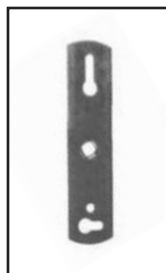
Crossbars



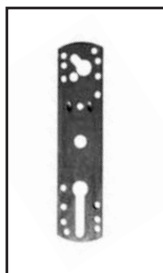
101-GB



102-GB



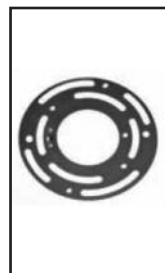
103-GB



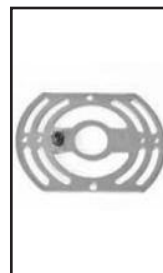
105-FF



2125-00



2118-00



2124-00



639-00

Model	Specs.	Construction	Used on	With	Mounts
101-GB	4" Crossbar	Steel	Electrical Outlet Box	1/8" IPS Center hole	2 Offset sloted hole
102-GB	4" Crossbar	Steel	Electrical Outlet Box	1/4" IPS Center hole	2 Offset slots
103-GB	4" Crossbar	Steel	Electrical Outlet Box	1/4-20 Threaded center hole	2 Offset slots
105-FF	4 1/2" Crossbar	Steel	Electrical Outlet Box	0.250" Center hole	2 Offset slots
2125-00	4 3/16" Swivel Crossbar	Steel	Electrical Outlet Box	3/8 IPS Center hole	Multiple slots and screw holes
2118-00	4" Universal Crossbar	Steel	Electrical Outlet Box	1.85" center hole	Multiple slots and screw holes
2124-00	4" Universal Crossbar	Steel	Electrical Outlet Box	7/8" Center hole	Multiple slots with ground screw
639-00	Adjustable Crossbar 4 1/2" to 6 1/2" c.c.	Steel	Electrical Outlet Box	3/8" IP Center hole	2 slots - 2 screw locations

For additional lighting hardware please visit us at <http://www.etlin.com> and proceed to the Lamp Parts - Lighting Hardware section (<http://www.etlin.com/products.asp?cat=Lighting%20Hardware>).

CABLE GRIPPERS ACCESSORIES AND HARDWARE

P12

T Bar Clips



TBC-E



TBC-WP

Model	Specs.	Construction	Used on	With	Mounts
TBC-WP	T-Bar Clip	Steel	Acoustical T-Bar	1/4"-20 Stud 3/8" L	Wraps over the T-Bar
TBC-E	T-Bar Clip	Steel	Acoustical T-Bar	1/4"-20 Stud 3/8" L	Twist unto the T-Bar

Accessory Adapters, Bolts with through Holes, Screws, Hooks, etc.



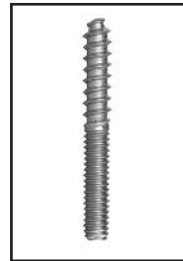
BH-1/4-20-1/4



BH-1/4-20-1/2



AS-3/8X5/16



LAG-1/4-20



TOG-1/4-20






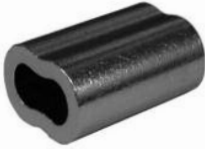
TOG-3/8 Only

MODEL	SPECS
BH-1/4-20-1/4	Knurled head bolt, drilled for 1/16" cable, 1/4"-long, 1/4-20 thread
BH-1/4-20-1/2	Knurled head bolt, drilled for 1/16" cable, 1/2"-long, 1/4-20 thread
AS-3/8X5/16	Knurled screw 1/4-20 X 1/4" long with cross slot for cross cable assemblies.
LAG-1/4-20	Hanger Bolt 2" overall length 1/4-20 X wood screw
TOG-1/4-20	Toggle Wing, 1/4-20 X 3" for drywall applications
TOG-3/8 Only	Toggle Wing, 3/8 for Adapter Stems AS-3/8 X 5/16 & 1/8-IP

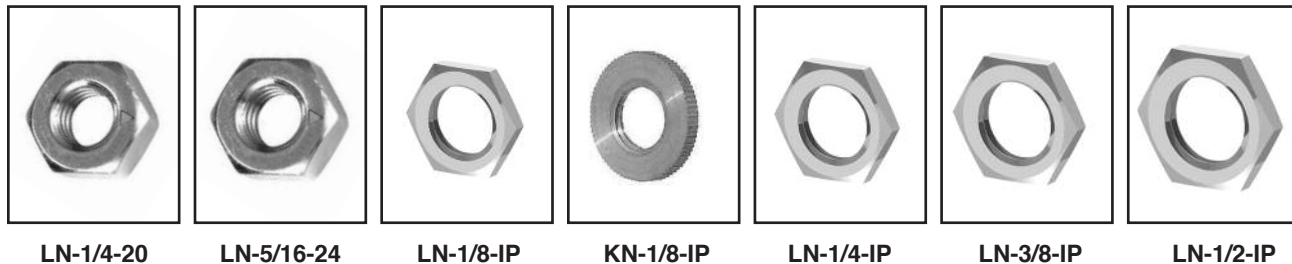
CABLE GRIPPERS ACCESSORIES AND HARDWARE

Cable Loops, Stop Sleeves and Ferrules

P13

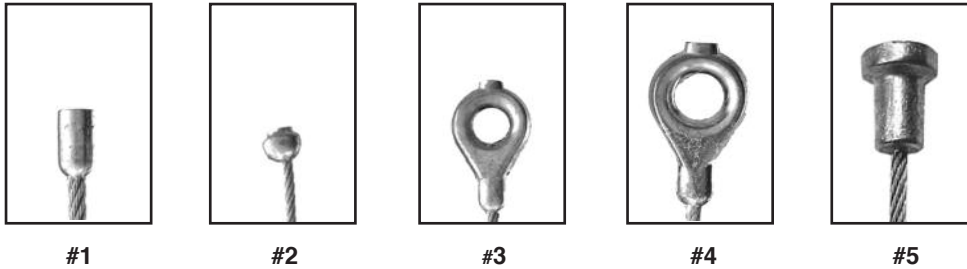
Cable Loops		Shaft Collar		Copper Stop Sleeves		Copper Ferrules	
							
Part No.	Desc	Part No.	Desc	MODEL	SPECS	MODEL	SPECS
CL-1/16	Cable Loop sleeve with set screws for 3/64" and 1/16"	SC-1	Shaft collar lock with set screw	CSS-3/64	Copper stop sleeves for 3/36" cable	CDF-3/64	Copper duplex ferrules for 3/64" cable
CL-3/32	Cable Loop sleeve for 3/32" cable			CSS-1/16	Copper stop sleeves for 1/16" cable	CDF-1/16	Copper duplex ferrules for 1/16" cable
				CSS-5/64	Copper stop sleeves for 5/64" cable	CDF-5/64	Copper duplex ferrules for 5/64" cable
				CSS-3/32	Copper stop sleeves for 3/32" cable	CDF-3/32	Copper duplex ferrules for 3/32" cable

Locknuts



MODEL	SPECS
LN-1/4-20	1/4-20 Keps nut
LN-5/16-24	5/16 Panel hex nut for MICRO-GR
LN-1/8-IP	1/8 IP Panel hex nut
KN-1/8-IP	Knurled lock nut-1/8-IP
LN-1/4-IP	1/4 IP Hex nut
LN-3/8-IP	3/8 IP Hex nut
LN-1/2-IP	1/2 IP Panel Hex nut

Deluxe S/S Cable Assemblies with # 1 die cast end and fuse cut



Galvanized cable can be supplied on request. Remove suffix -SS and add suffix -G (i.e C-3/64-72-G).

Wire Cross Section:



Cable, 3/64" with fuse cut and # 1 die cast end			
Model	Cross Section	Material	Length
C-3/64-24-SS	7 x 7	Stainless Steel	3/64 X 24" with stop
C-3/64-36-SS	7 x 7	Stainless Steel	3/64 X 36" with stop
C-3/64-50-SS	7 x 7	Stainless Steel	3/64 X 50" with stop
C-3/64-72-SS	7 x 7	Stainless Steel	3/64 X 72" with stop
C-3/64-100-SS	7 x 7	Stainless Steel	3/64 X 100" with stop
C-3/64-120-SS	7 x 7	Stainless Steel	3/64 X 120" with stop
C-3/64-150-SS	7 x 7	Stainless Steel	3/64 X 150" with stop

Cable, 1/16" with fuse cut and # 1 die cast end			
Model	Cross Section	Material	Length
C-1/16-12-SS	7 x 7	Stainless Steel	1/16" X 12" with stop
C-1/16-18-SS	7 x 7	Stainless Steel	1/16" X 18" with stop
C-1/16-24-SS	7 x 7	Stainless Steel	1/16" X 24" with stop
C-1/16-36-SS	7 x 7	Stainless Steel	1/16" X 36" with stop
C-1/16-50-SS	7 x 7	Stainless Steel	1/16" X 50" with stop
C-1/16-72-SS	7 x 7	Stainless Steel	1/16" X 72" with stop
C-1/16-100-SS	7 x 7	Stainless Steel	1/16" X 100" with stop
C-1/16-120-SS	7 x 7	Stainless Steel	1/16" X 120" with stop
C-1/16-150-SS	7 x 7	Stainless Steel	1/16" X 150" with stop
C-1/16-200-SS	7 x 7	Stainless Steel	1/16" X 200" with stop
C-1/16-250-SS	7 x 7	Stainless Steel	1/16" X 250" with stop
C-1/16-300-SS	7 x 7	Stainless Steel	1/16" X 300" with stop
C-1/16-350-SS	7 x 7	Stainless Steel	1/16" X 350" with stop

Cable, 5/64" with fuse cut and # 1 die cast end			
Model	Cross Section	Material	Length
C-5/64-36-SS	7 x 7	Stainless Steel	5/64" X 36" with stop
C-5/64-50-SS	7 x 7	Stainless Steel	5/64" X 50" with stop
C-5/64-72-SS	7 x 7	Stainless Steel	5/64" X 72" with stop
C-5/64-120-SS	7 x 7	Stainless Steel	5/64" X 120" with stop
C-5/64-150-SS	7 x 7	Stainless Steel	5/64" X 150" with stop
C-5/64-250-SS	7 x 7	Stainless Steel	5/64" X 250" with stop

Cable, 3/32" with fuse cut and # 1 die cast end			
Model	Cross Section	Material	Length
C-3/32-24-SS	7 x 7	Stainless Steel	3/32" X 24" with stop
C-3/32-36-SS	7 x 7	Stainless Steel	3/32" X 36" with stop
C-3/32-50-SS	7 x 7	Stainless Steel	3/32" X 50" with stop
C-3/32-72-SS	7 x 7	Stainless Steel	3/32" X 72" with stop
C-3/32-100-SS	7 x 7	Stainless Steel	3/32" X 100" with stop
C-3/32-120-SS	7 x 7	Stainless Steel	3/32" X 120" with stop
C-3/32-150-SS	7 x 7	Stainless Steel	3/32" X 150" with stop
C-3/32-200-SS	7 x 7	Stainless Steel	3/32" X 200" with stop
C-3/32-250-SS	7 x 7	Stainless Steel	3/32" X 250" with stop

CABLE

Bulk Cable on Spools

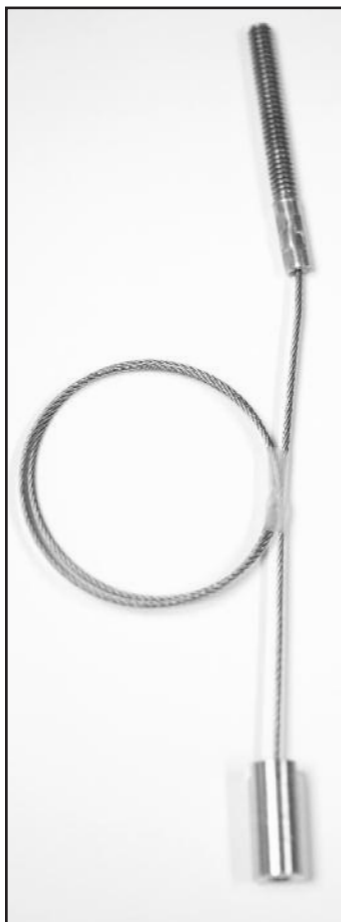
P15

Stainless steel and zinc plated wires are available in various dimensions and lengths. Ensure that you use suitable screws and dowels for the materials when installing.



MODEL	SPECS
C-3/64-12000-G	galvanized 3/64", 7X7 X 1000'
C-1/16-12000-G	galvanized 1/16", 7X7 X 1000'
C-3/32-1200-G	galvanized 3/32", 7X7 X 1000'
C-1/8-12000-G	galvanized 1/8", 7X7 X 1000'
C-3/64-12000-SS	stainless steel 3/64", 7X7 X 1000'
C-1/16-12000-SS	stainless steel 1/16", 7X7 X 1000'
C-3/32-12000-SS	stainless steel 3/32", 7X7 X 1000'
C-1/8-12000-SS	stainless steel 1/8", 7X7 X 1000'

Cable, 1/16" S/S with 1/4-20 - 1-1/2 stud and CC-1/4-20 cable coupler



MODEL	SPECS	LENGTH
C-1/16-12-TE-SS	Cable, 7x7 stainless steel	1/16 X 12"
C-1/16-15-TE-SS	Cable, 7x7 stainless steel	1/16 X 15"
C-1/16-18-TE-SS	Cable, 7x7 stainless steel,	1/16 X 18"
C-1/16-24-TE-SS	Cable, 7x7 stainless steel	1/16 X 24"
C-1/16-30-TE-SS	Cable, 7x7 stainless steel	1/16 X 30"
C-1/16-36-TE-SS	Cable, 7x7 stainless steel	1/16 X 36"
C-1/16-42-TE-SS	Cable, 7x7 stainless steel	1/16 X 42"
C-1/16-48-TE-SS	Cable, 7x7 stainless steel	1/16 X 48"

DOUBLE LOOPING GRIPPERS / KWIK LOCK CONNECTORS

P16

DOUBLE LOOP GRIPPERS - For 3/64" and 1/16" Cables . Allows cable to loop and adjusts from either end. For wrapping cable around beams and joists.



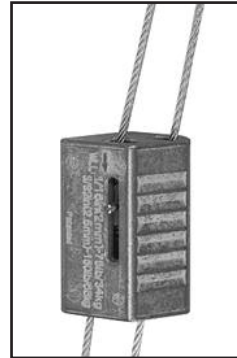
DLG-1/16



DLG-3/32



KL-100



KL-150



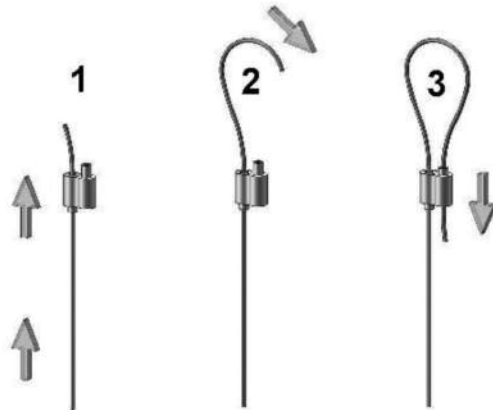
KL-200

These double loop grippers can be used for hanging luminaires, HID lights, cable tray, cable baskets, signage and displays.

INSTALLATION

- STEP 1:** Insert cable into Looping Gripper.
- STEP 2:** Pass cable through or around anchor point.
- STEP 3:** Insert cable back into Looping Gripper.

ADJUSTMENT: Remove load from cable, depress plunger & adjust cable height. Release plunger to lock cable position



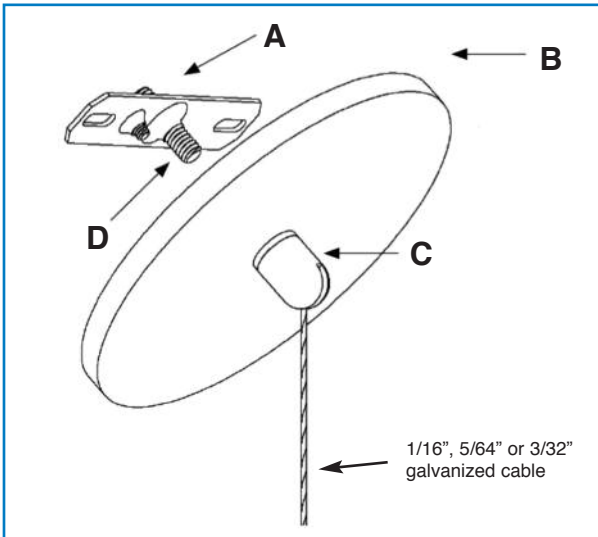
NOTE: Looping Gripper must maintain a minimum 2 inch distance from all suspended objects or support structures.

Model	Specs.	Safety Nut	For Cable Sizes	Cable Exits	Made of	Working Load
DLG-1/16	Double Loop Gripper	No	3/64" or 1/16" (1/ 1.6mm)	Top/Bottom	Brass	3/64" = 35 lbs 1/16" = 75 lbs
DLG-3/32	Double Loop Gripper	No	1/16" or 3/32" (1.6 or 2.4mm)	Top/Bottom	Brass	1/16" = 75 lbs 3/32" = 150 lbs
KL-100	Double Loop Gripper	No	1/16" or 3/32" (1.6 or 2.4mm)	Top/Bottom	Die Cast AL	1/16" = 75 3/32" = 150 lbs
KL-150	Double Loop Gripper	No	3/32" or 1/8" (2.4 or 3.2mm)	Top/Bottom	Die Cast AL	3/32" = 150 lbs 1/8" = 250 lbs
KL-200	Double Loop Gripper	No	1/8" or 3/16" (1.6 or 2.4mm)	Top/Bottom	Die Cast AL	1/8" = 250 lbs 3/16" = 640 lbs

GENERIC SUSPENSION KITS

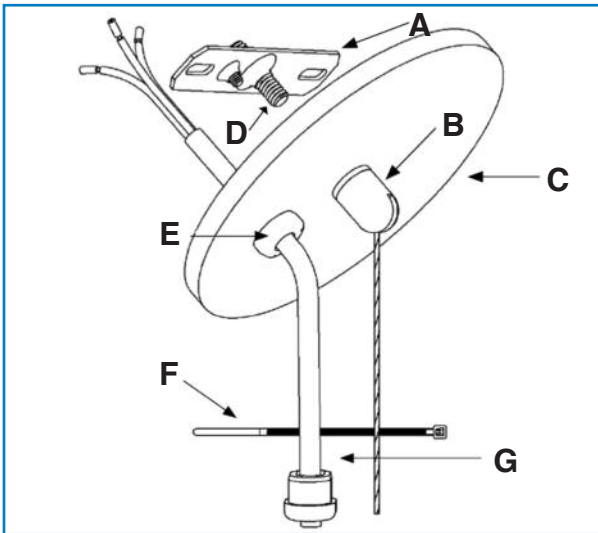
Non-Powerfeed, Straight Cord & Coil Cord Kits

P17



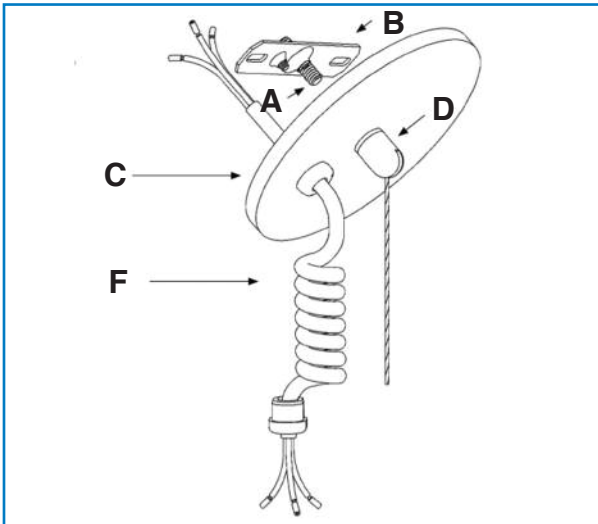
SK-NPF-104-116-XXX Non-Powerfeed Kits - Packaged 1/16" galvanized cable		
SK-NPF-104-332-XXX Non-Powerfeed Kits - Packaged 3/32" galvanized cable		
XXX - Kit length in inches. Stock lengths 24", 48", 96" 120, 150", 180" & 240"		

FIGURE	PART	DESCRIPTION
A	103-GB	4" cross bar with ground screw
B	CAN 5-1-W	5" white powder coated canopy w/ 0.25" ctr. hole
C	CC-SLOT	Swivel Cable Coupler w/ 1/4-20 internal thread
D	1/4-20-1"	1/4-20-1" stud



SK-PF-105-116-XXX Straight Cord Kits - Packaged 1/16" galvanized cable		
SK-PF-105-332-XXX Straight Cord Kits - Packaged 3/32" inch galvanized cable Stock White powercord: 18/3, 18/4, SVT		
XXX - Kit length in inches. Stock lengths 24", 48", 96" 120, 150", 180" & 240"		

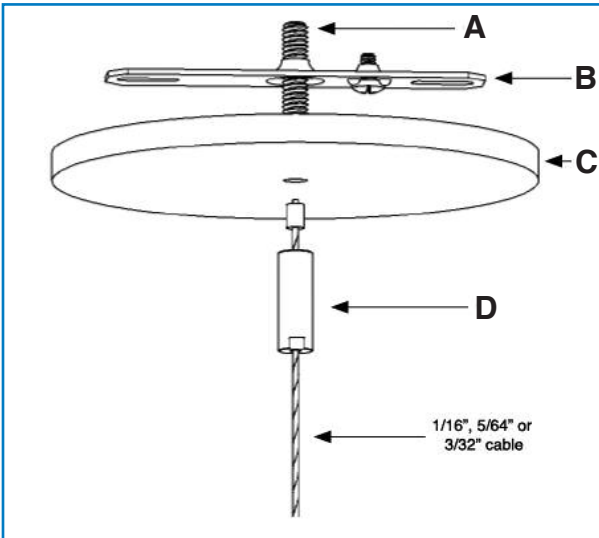
FIGURE	PART	DESCRIPTION
A	103-GB	4" cross bar with ground screw
B	CC-SLOT	Swivel Cable Coupler
C	CAN 5-2-W	5" 2 hole canopy cover
D	1/4-20-1"	1/4-20-1" stud
E	ESR-XX-WH	2 x white strain relief bushings per set to match cord & PF hole
F	NT400	4" cable tie
G	TBD	Powercord to match assy, length



SK-PFC-106-116-XXX Coil Cord Kits - Packaged 1/16" galvanized cable		
SK-PFC-106-332-XXX Coil Cord Kits - Packaged 3/32" galvanized cable - available in white XXX - Kit length in inches Stock lengths 24", 48", 96" & 120" only. Stock coil cord: 18/3 SVT & 18/4 SVT		

FIGURE	PART	DESCRIPTION
A	1/4-20-1"	1/4-20-1" stud
B	103-GB	5" white powder canopy-coated canopy w/ 0.25" ctr. hole
C	CAN 5-2-W	5" 2 hole canopy cover
D	CC-SLOT	Swivel Cable Coupler
F	TBD	Powercord to match assy, length

Non-Powerfeed & Straight Cord Kits

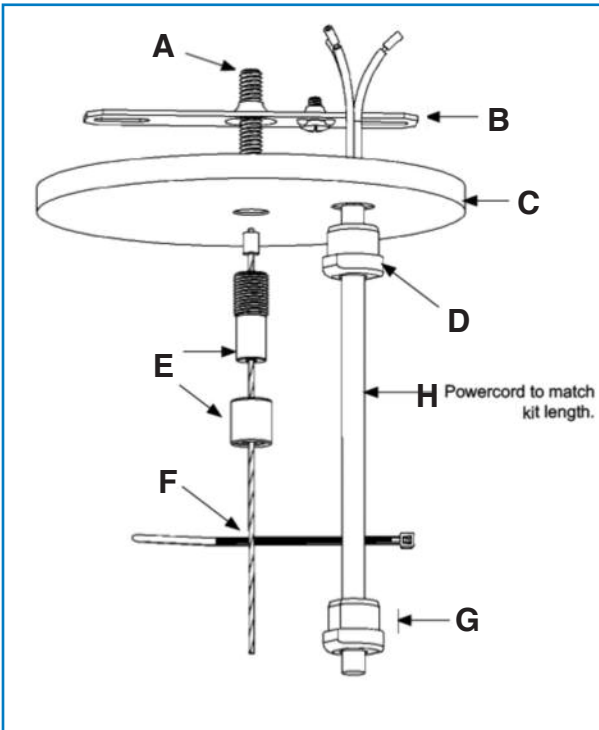


SK-NPF-100-116-XXX
Non-Powerfeed Kits - Packaged
1/16" galvanized cable

SK-NPF-100-332-XXX
Non-Powerfeed Kits - Packaged
3/32" galvanized cable

XXX - Kit length in inches. Stock lengths 24", 48", 96" 120, 150", 180" & 240"
(Cables are available in galvanized / stainless steel. Grippers ordered separately)

FIGURE	PART	DESCRIPTION
A	1/4-20-1"	1/4-20-1" stud
B	103-GB	4" cross bar with ground screw
C	CAN 5-1-W	5" white powder coated canopy w/ 0.25" ctr. hole
D	CC-1/4-20	Cable Coupler 1/4-20 int. thread



SK-PF-102-116-XXX-PCXXX
Straight Cord Kits - Packaged
1/16" galvanized cable

SK-PF-102-332-XXX-PCXXX
Straight Cord Kits - Packaged
3/32" inch galvanized cable

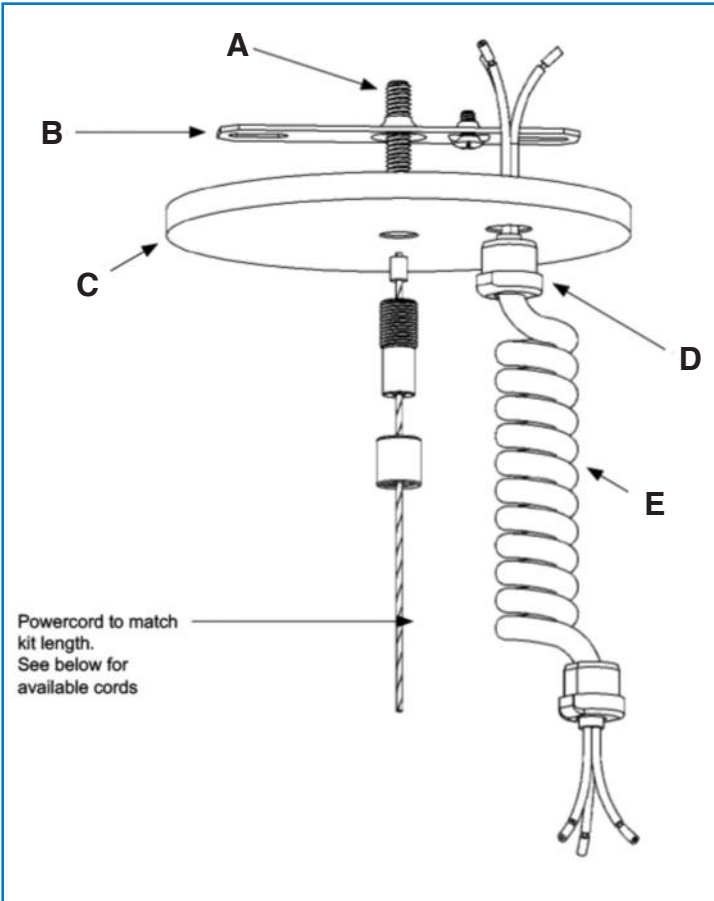
Stock White powercord: 14/3(PF143), 14/4(PF144), 18/3, 18/4.
XXX - Kit length in inches. Stock lengths 24", 48", 96" 120, 150", 180" & 240"

FIGURE	PART	DESCRIPTION
A	1/4-20-1"	1/4-20-1" stud
B	103-GB	4" cross bar with ground screw
C	CAN 5-2-W	5" 2 hole canopy cover
D	ESR-XX-WH	2 x white strain relief bushings per set to match cord & PF hole
E	CC-1/4X1/8-IP	Slipping Cable Gripper
F	NT400	1 x white cable tie per ft.
G	ESR-XX-WH	2 x white strain relief bushings per set to match cord & PF hole
H	TBD	Powercord to match assy length

GENERIC SUSPENSION KITS

Coil Cord Kit

P19



SK-PF-103-116-XXX-PCXXX

Coil Cord Kits - Packaged
1/16" galvanized cable

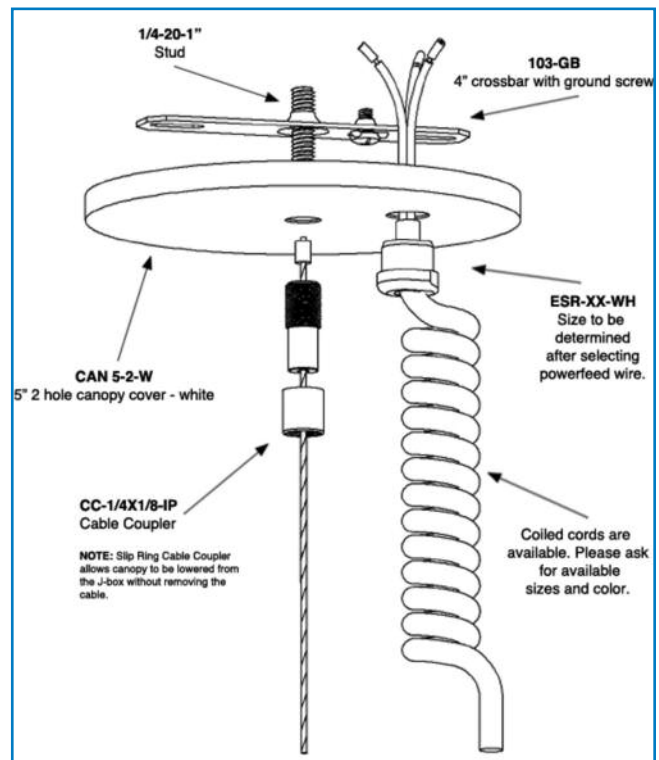
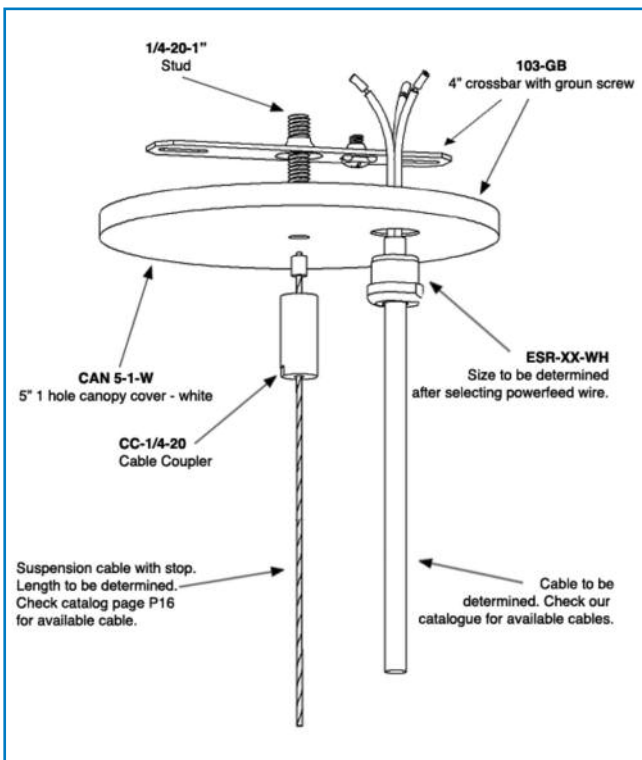
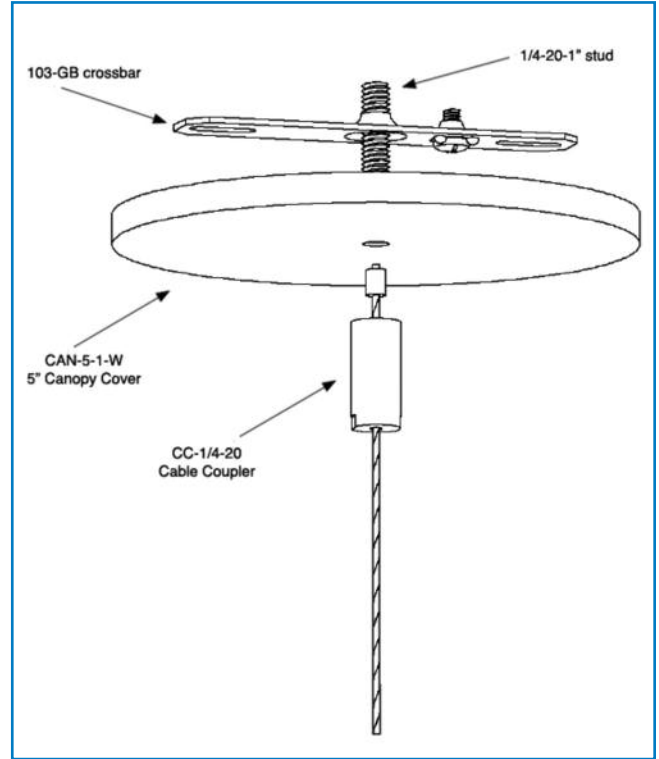
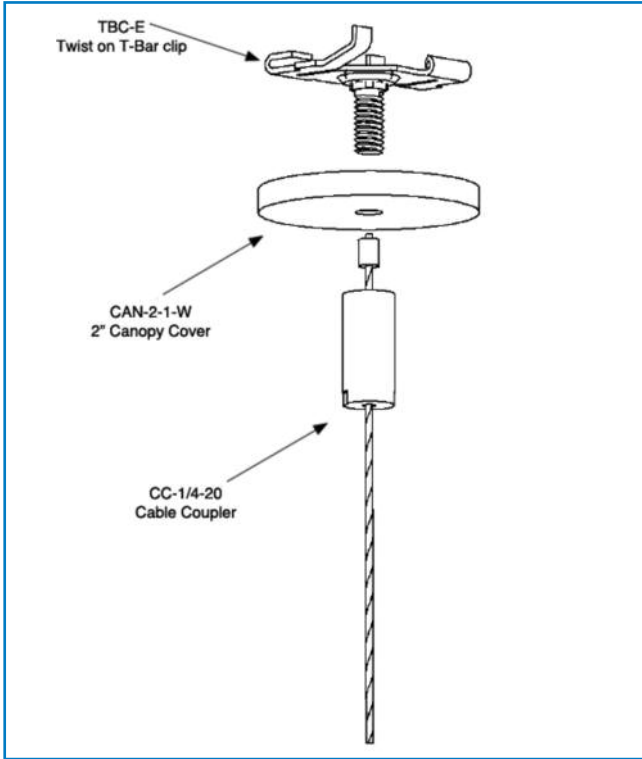
SK-PF-103-332-XXX-PCXXX

Coil Cord Kits - Packaged
3/32" inch galvanized cable

Stock White powercord: 18/3 SVT, 18/4 SVT.
XXX - Kit length in inches. Stock lengths 24", 48", 96" & 120"

FIGURE	PART	DESCRIPTION
A	1/4-20-1"	1/4-20-1" stud
B	103-GB	4" cross bar with ground screw
C	CAN 5-2-W	5" 2 hole canopy cover
D	CC-1/4X1/8-IP	Slipping Cable Gripper
E	TBD	Powercord to match assy length

Kit Breakdown - Standard Ceiling Canopy

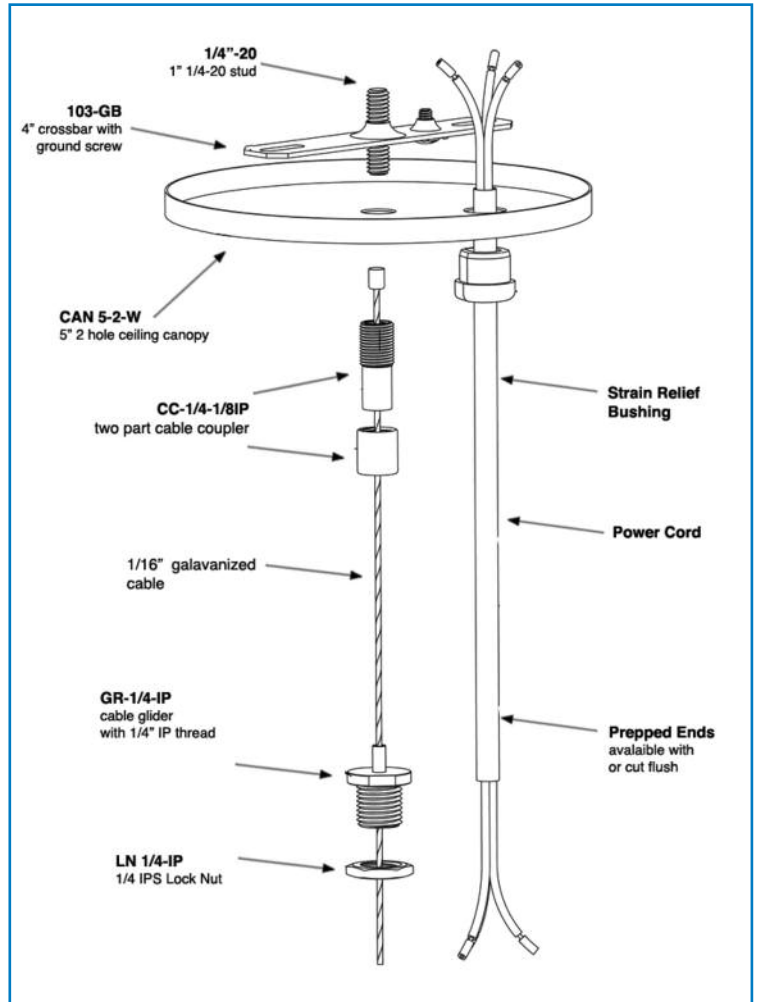
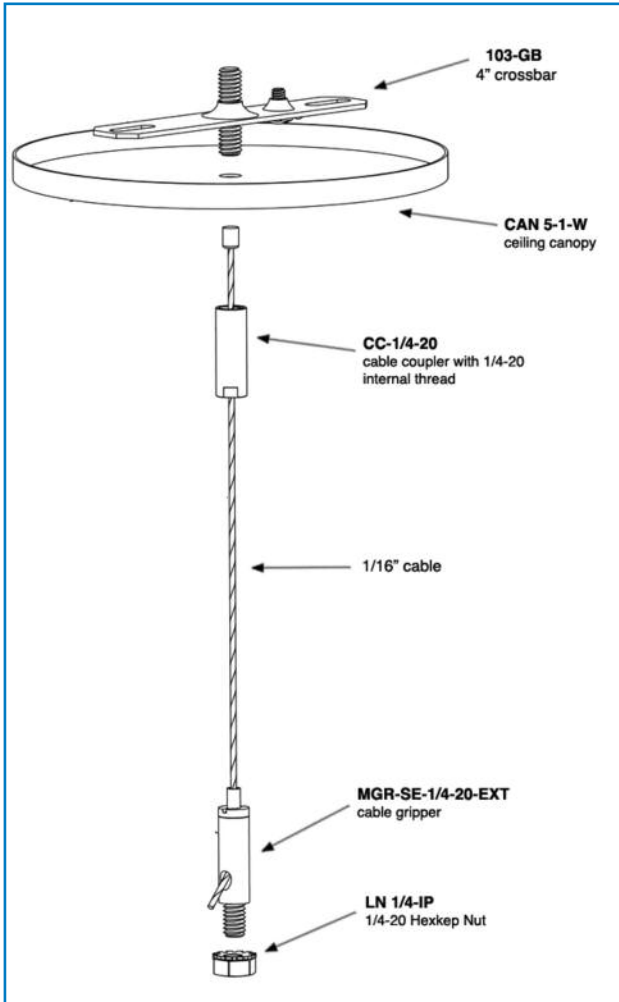


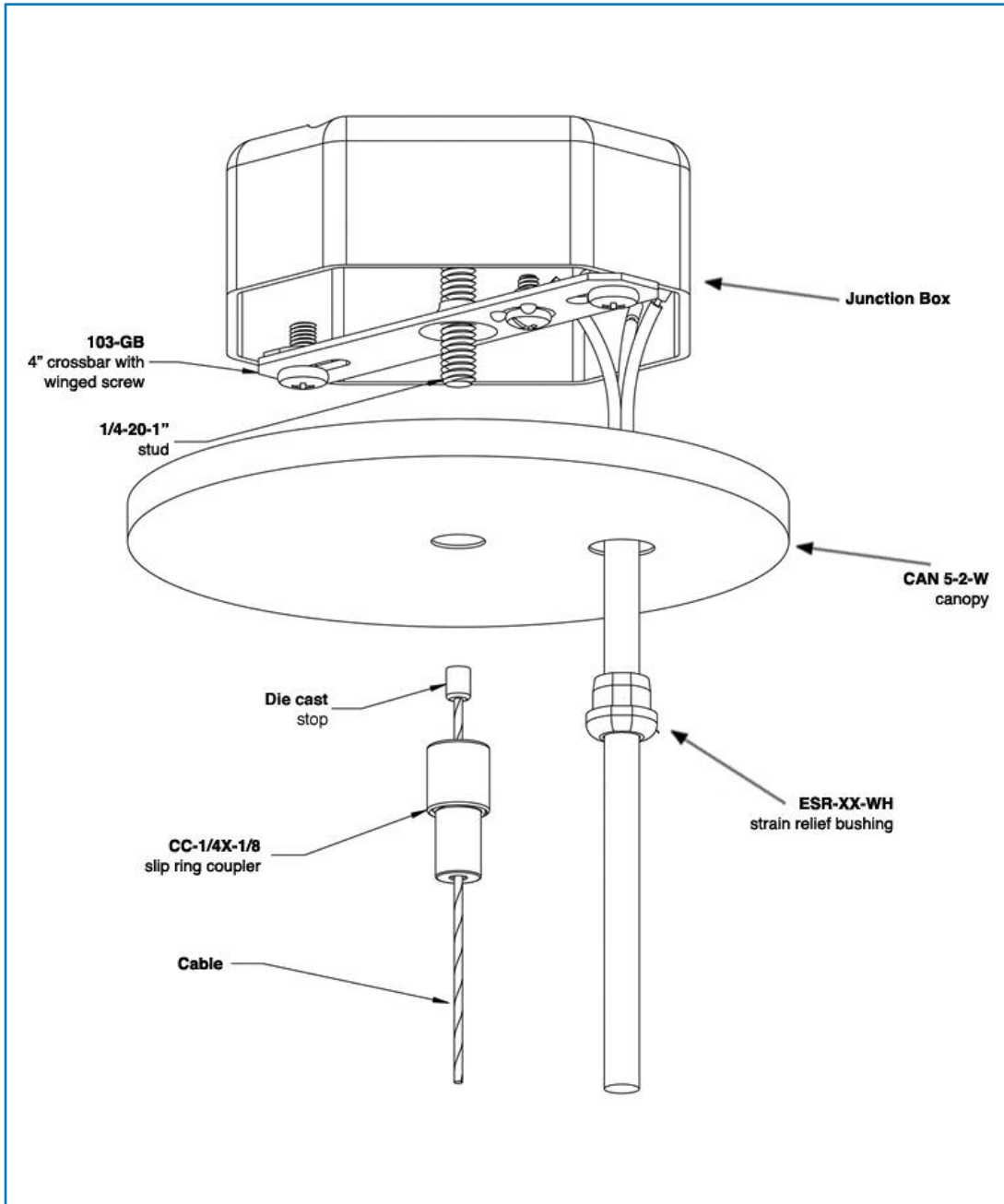
KIT BREAKDOWNS

Typical Non-Powerfeed Assemblies

Typical Powerfeed Assemblies

P21

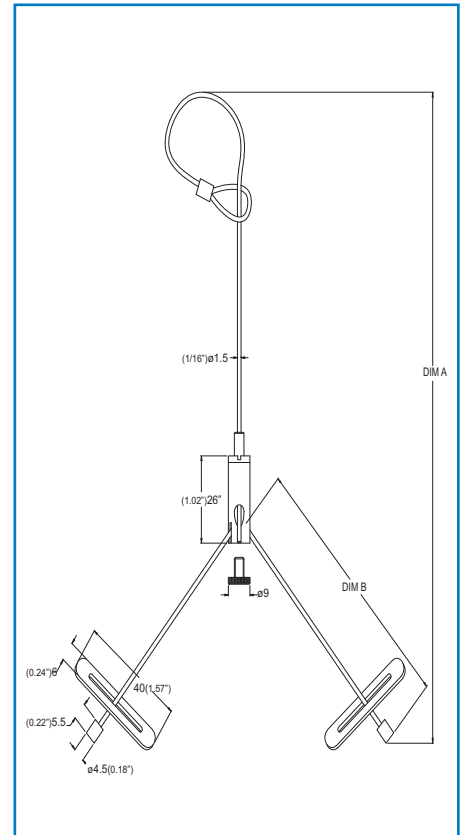
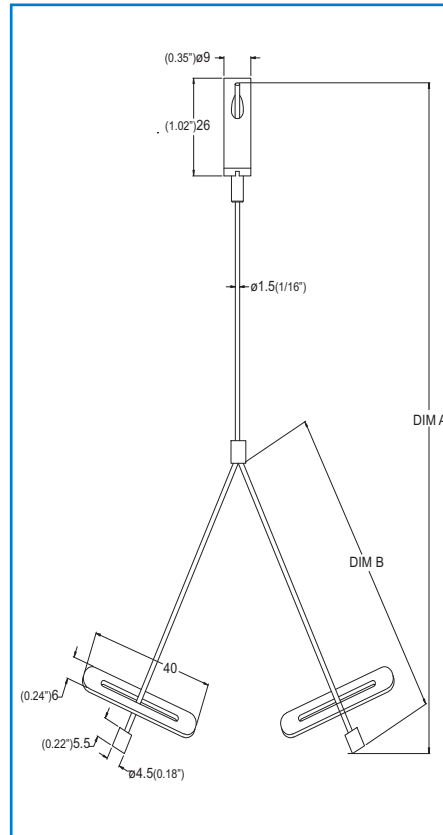
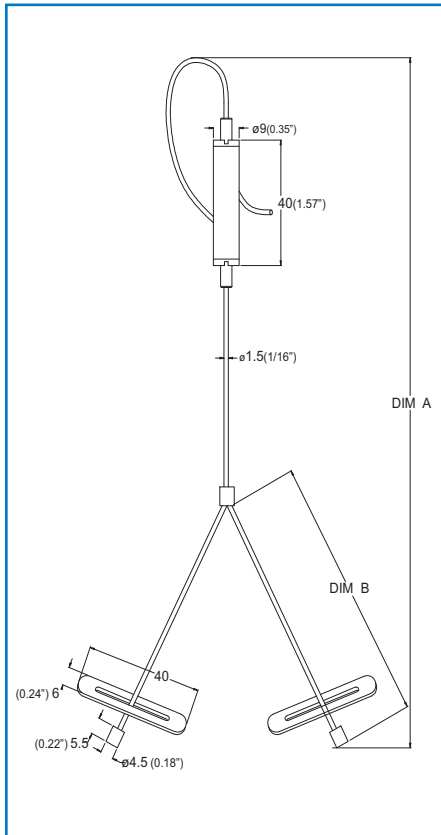




CABLE SUSPENSION KITS

Cable Suspension Kits

P23



HB-XX-XXY-T-DLG1 Series Y-Cable with Double Loop Gripper & Toggles

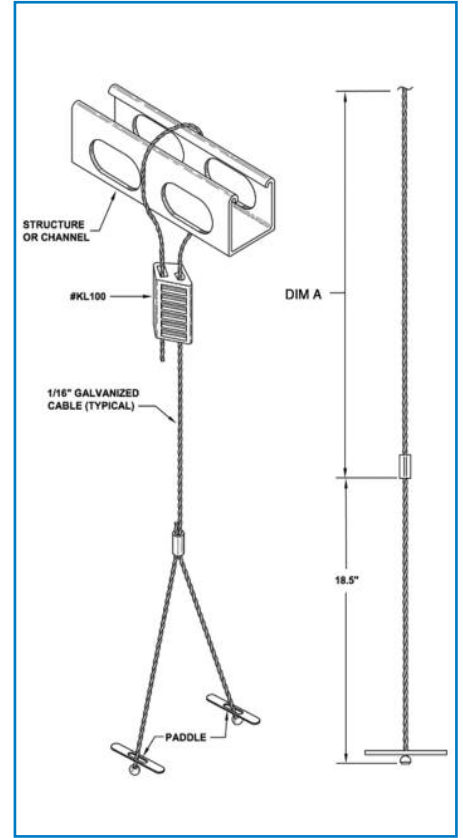
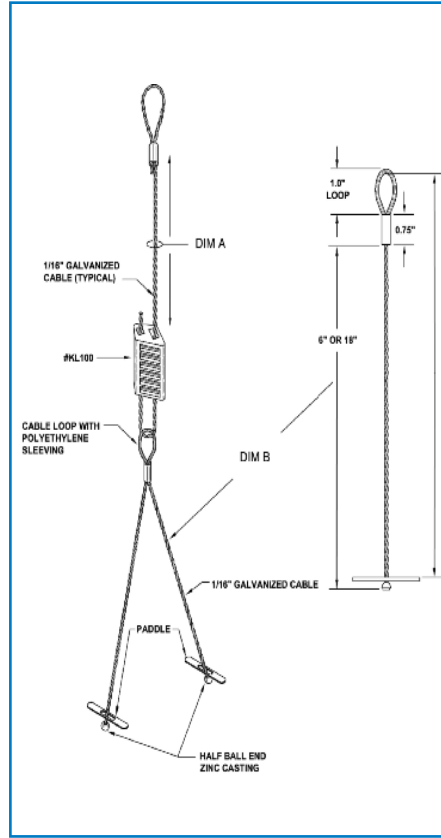
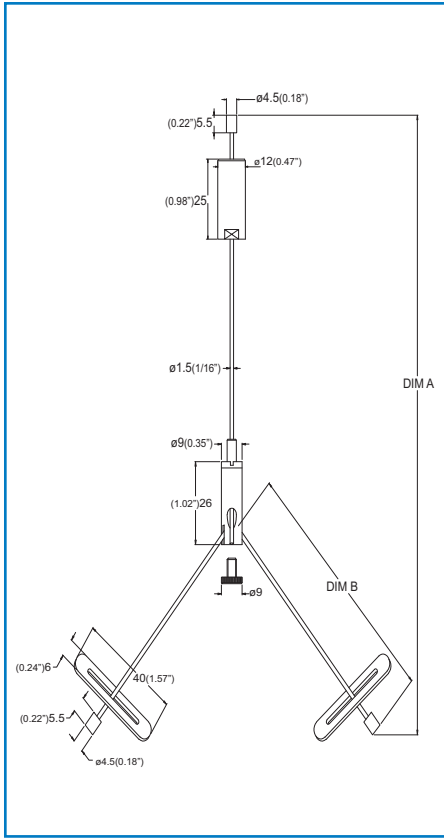
Part Number	DIM A	DIM B
HB-60-12Y-T-DLG1	60"	12"
HB-60-24Y-T-DLG1	60"	24"
HB-120-12Y-T-DLG1	120"	12"
HB-120-24Y-T-DLG1	120"	24"
HB-180-12Y-T-DLG1	120"	12"
HB-180-24Y-T-DLG1	120"	24"
HB-240-12Y-T-DLG1	120"	12"
HB-240-24Y-T-DLG1	120"	24"

HB-XX-XXY-T-MGR1 Series Y-Cable with Ceiling Gripper & Toggles

Part Number	DIM A	DIM B
HB-60-12Y-T-MGR1	60"	12"
HB-60-24Y-T-MGR1	60"	24"
HB-120-12Y-T-MGR1	120"	12"
HB-120-24Y-T-MGR1	120"	24"
HB-180-12Y-T-MGR1	180"	12"
HB-180-24Y-T-MGR1	180"	24"
HB-240-12Y-T-MGR1	240"	12"
HB-240-24Y-T-MGR1	240"	24"

HB-XXL-XXXT-MGR2 Series Cross Cable with Loop & Toggles

Part Number	DIM A	DIM B
HB-60L-12XT-MGR2	60"	6"
HB-120L-12XT-MGR2	120"	6"
HB-180L-12XT-MGR2	180"	6"
HB-240L-12XT-MGR2	240"	6"
HB-60L-24XT-MGR2	60"	12"
HB-120L-24XT-MGR2	120"	12"
HB-180L-24XT-MGR2	180"	12"
HB-240L-24XT-MGR2	240"	12"
HB-60L-36XT-MGR2	60"	18"
HB-120L-36XT-MGR2	120"	18"
HB-180L-36XT-MGR2	180"	18"
HB-240L-36XT-MGR2	240"	18"
HB-60L-48XT-MGR2	60"	24"
HB-120L-48XT-MGR2	120"	24"
HB-180L-48XT-MGR2	180"	24"
HB-240L-48XT-MGR2	240"	24"



HB-XXXX-XTG-MGR2-CC Series Cross Cable with Cable Coupler & Toggles

Part Number	DIM A	DIM B
HB-601-12TG-MGR2-CC	60"	6"
HB-1201-12TG-MGR2-CC	120	6"
HB-1801-12TG-MGR2-CC	180"	6"
HB-2401-12TG-MGR2-CC	240"	6"
HB-601-24TG-MGR2-CC	60"	12"
HB-1201-24TG-MGR2-CC	120	12"
HB-1801-24TG-MGR2-CC	180"	12"
HB-2401-24TG-MGR2-CC	240"	12"
HB-601-36TG-MGR2-CC	60"	18"
HB-1201-36TG-MGR2-CC	120	18"
HB-1801-36TG-MGR2-CC	180"	18"
HB-2401-36TG-MGR2-CC	240"	18"
HB-601-48TG-MGR2-CC	60"	24"
HB-1201-48TG-MGR2-CC	120	24"
HB-1801-48TG-MGR2-CC	180"	24"
HB-2401-48TG-MGR2-CC	240"	24"

HB-XXX-XXY-L&P-Series Double Loop Gripper Loop and Y Cables with Toggle Paddles

Part Number	DIM A	DIM B
HB-60-6Y-L&P	60"	6"
HB-120-6Y-L&P	120	6"
HB-150-6Y-L&P	150	6"
HB-200-6Y-L&P	200	6"
HB-60-18Y-L&P	60"	18"
HB-120-18Y-L&P	120	18"
HB-150-18Y-L&P	150	18"
HB-200-18Y-L&P	200	18"

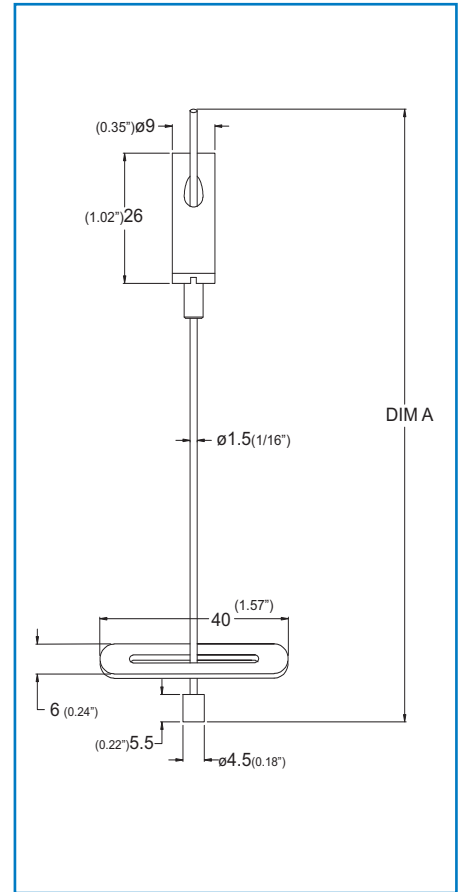
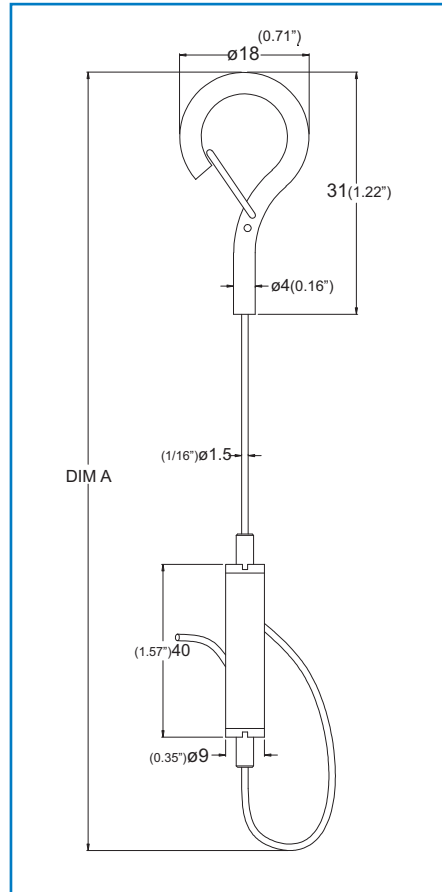
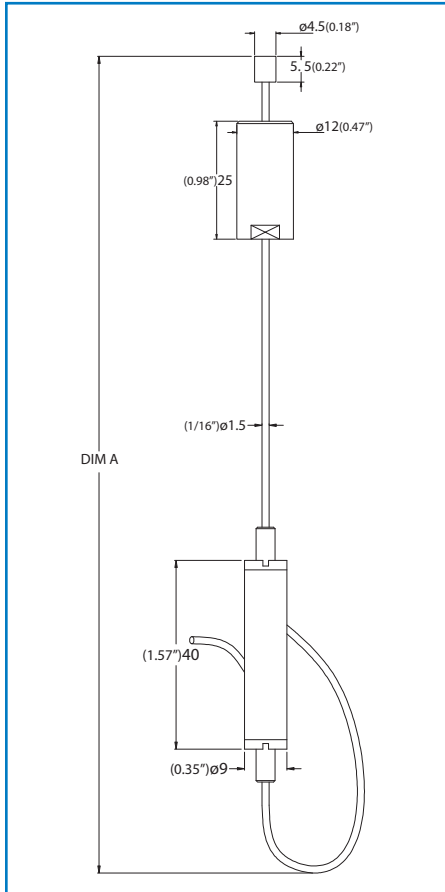
HB-XXX-18Y-PAD-Series Double Loop Gripper Y Cables with Toggle Paddles

Part Number	DIM A
HB-601-18Y-PAD	60"
HB-1201-18Y-PAD	120"
HB-1801-18Y-PAD	180"
HB-2401-18Y-PAD	240"

CABLE SUSPENSION KITS

Cable Suspension Kits

P25

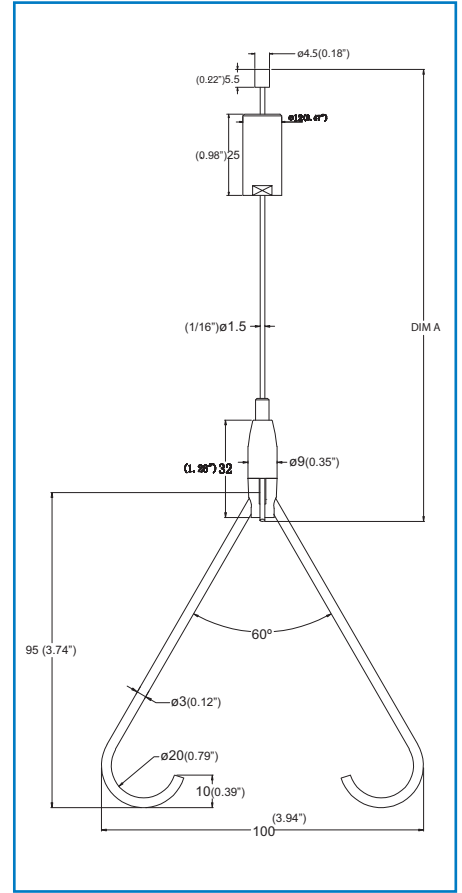
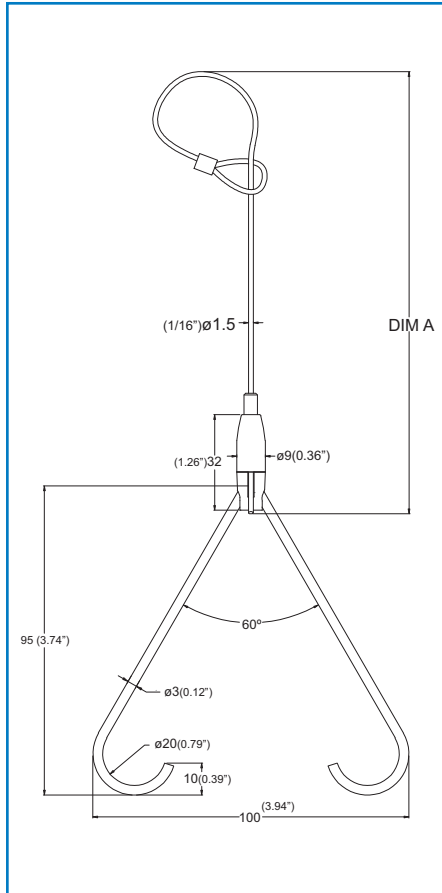
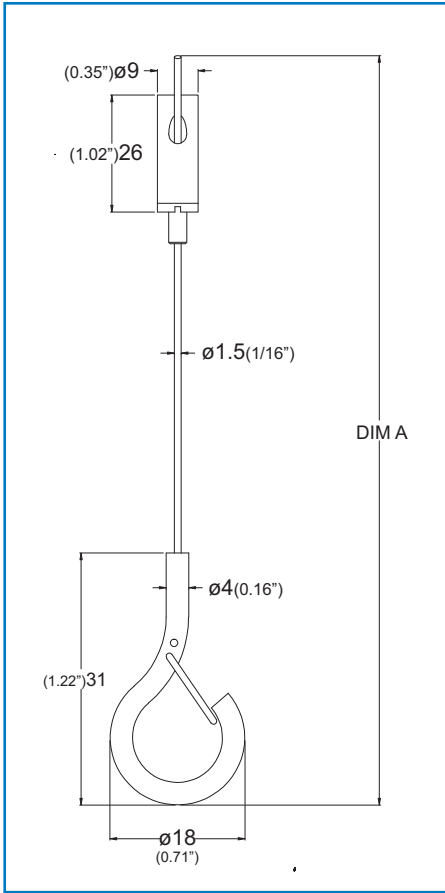


HB-XXXX-DLG1-CC Series Single Cable with Double Loop Gripper & Ceiling Coupler	
Part Number	DIM A
HB-601-DLG1-CC	60"
HB-1201-DLG1-CC	120"
HB-1801-DLG1-CC	180"
HB-2401-DLG1-CC	240"

HB-XXXH-DLG1 Series Single Cable with Double Loop Gripper & Gated Hook	
Part Number	DIM A
HB-60H-DLG1	60"
HB-120H-DLG1	120"
HB-180H-DLG1	180"
HB-240H-DLG1	240"

HB-XXXT-MGR1 Series Single Cable with Ceiling Gripper & Toggle	
Part Number	DIM A
HB-601T-MGR1	60"
HB-1201T-MGR1	120"
HB-1801T-MGR1	180"
HB-2401T-MGR1	240"

Lighting Suspension Systems



HB-XXXH-MGR1 Series Single Cable with Ceiling Gripper & Gated Hook	
Part Number	DIM A
HB-60H-MGR1	60"
HB-120H-MGR1	120"
HB-180H-MGR1	180"
HB-240H-MGR1	240"

HB-XXXL-MGR2-VC Series V-Clip Cable with Loop	
Part Number	DIM A
HB-60L-MGR2-VC	60"
HB-120L-MGR2-VC	120"
HB-180L-MGR2-VC	180"
HB-240L-MGR2-VC	240"

HB-XXXX-MGR2-VC Series V-Clip Cable with Loop	
Part Number	DIM A
HB-601-CC-MGR2-VC	60"
HB-1201-CC-MGR2-VC	120"
HB-1801-CC-MGR2-VC	180"
HB-2401-CC-MGR2-VC	240"