

◆ PRECISION INSTRUMENTS FOR TEST AND MEASUREMENT ◆

**1863 and 1864**

**Megohmmeters**

**User and Service Manual**



Copyright © 2018 IET Labs, Inc.  
Visit [www.ietlabs.com](http://www.ietlabs.com) for manual revision updates

1863-1864 im/Aug 2018

◆ PRECISION INSTRUMENTS FOR TEST AND MEASUREMENT ◆

**Revision History:**

<b>Date</b>	<b>Description</b>	<b>By</b>
7/28/10	<ul style="list-style-type: none"><li>• Corrected Errors</li><li>• Automatic TOC created</li></ul>	LB
5/25/11	<ul style="list-style-type: none"><li>• Corrected input/output identification error on Page 4</li><li>• Voltage range on page 4 was 200-230</li><li>• Added fuse specs on</li></ul>	LB
Aug 2018	<ul style="list-style-type: none"><li>• Major update for standardization of marking and required information in the manual</li></ul>	BB

## **WARRANTY**

We warrant that this product is free from defects in material and workmanship and, when properly used, will perform in accordance with applicable IET specifications. If within one year after original shipment, it is found not to meet this standard, it will be repaired or, at the option of IET, replaced at no charge when returned to IET. Changes in this product not approved by IET or application of voltages or currents greater than those allowed by the specifications shall void this warranty. IET shall not be liable for any indirect, special, or consequential damages, even if notice has been given to the possibility of such damages.

**THIS WARRANTY IS IN LIEU OF ALL OTHER WARRANTIES, EXPRESSED OR IMPLIED, INCLUDING BUT NOT LIMITED TO, ANY IMPLIED WARRANTY OF MERCHANTABILITY OR FITNESS FOR ANY PARTICULAR PURPOSE.**



## **WARNING**



OBSERVE ALL SAFETY RULES  
WHEN WORKING WITH HIGH VOLTAGES OR LINE VOLTAGES.

**Dangerous voltages may be present inside this instrument. Do not open the case  
Refer servicing to qualified personnel**

### **HIGH VOLTAGES MAY BE PRESENT AT THE TERMINALS OF THIS INSTRUMENT**

WHENEVER HAZARDOUS VOLTAGES (> 45 V) ARE USED, TAKE ALL MEASURES TO  
AVOID ACCIDENTAL CONTACT WITH ANY LIVE COMPONENTS.

USE MAXIMUM INSULATION AND MINIMIZE THE USE OF BARE  
CONDUCTORS WHEN USING THIS INSTRUMENT.

**Use extreme caution when working with bare conductors or bus bars.**

WHEN WORKING WITH HIGH VOLTAGES, POST WARNING SIGNS AND  
KEEP UNREQUIRED PERSONNEL SAFELY AWAY.



## **CAUTION**



DO NOT APPLY ANY VOLTAGES OR CURRENTS TO THE TERMINALS OF THIS  
INSTRUMENT IN EXCESS OF THE MAXIMUM LIMITS INDICATED ON  
THE FRONT PANEL OR THE OPERATING GUIDE LABEL.

# Contents

- Condensed Operating Instructions ..... v**
- Safety Summary ..... vi**
- Safety Symbols ..... viii**
- Specifications..... x**
- Chapter 1: INTRODUCTION..... 1**
  - 1.1 Description ..... 1
  - 1.2 Opening and Tilting the Cabinet ..... 1
  - 1.3 Controls, Connectors and Indicators..... 1
  - 1.4 Prefixes..... 6
  - 1.5 Connections..... 6
- Chapter 2: INSTALLATION..... 7**
  - 2.1 Initial Inspection ..... 7
  - 2.2 Dimensions ..... 7
  - 2.3 Repackaging for Shipment..... 7
  - 2.4 Storage ..... 8
  - 2.5 Bench Setup ..... 8
  
  - 2.6 Rack Mounting..... 8
  - 2.7 Power Connections ..... 8
- Chapter 3: OPERATION ..... 9**
  - Shock Hazard ..... 9
  - 3.1 Operating Guide ..... 10
    - 3.1.1 Ground-Link Connection..... 10
    - 3.1.2 Test Voltage Selection..... 10
    - 3.1.3 Initial adjustments..... 10
    - 3.1.4 Connection of Unknown ..... 10
    - 3.1.5 Measurement Procedure ..... 11
      - 3.1.5.1 Measuring an Unknown Value ..... 11
      - 3.1.5.2 Measuring a Known Value ..... 11
  - 3.2 Output for Remote Indication ..... 12

<b>Chapter 4: APPLICATIONS</b> .....	<b>13</b>
4.1 Insulation Testing.....	13
4.2 Test Sample Resistivity Measurements.....	13
4.3 Capacitor Insulation Resistance.....	14
4.3.1 General.....	14
4.3.2 Charging Time Constant.....	14
4.3.4 Discharge Time.....	15
4.3.5 Large Capacitors, Very High Resistance.....	15
4.4 Resistance Measurements.....	16
4.5 Measurement of Voltage Coefficient.....	16
4.6 Guarded 3-Terminal Measurements.....	16
4.7 Remote Shielded Measurements.....	17
4.8 Measurements Under Humid Conditions.....	17
<b>Chapter 5: THEORY</b> .....	<b>19</b>
5.1 Theory Overview.....	19
5.2 Circuit Description.....	19
5.2.1 Type 1863 Megohmmeter.....	19
5.2.2 Type 1864 Megohmmeter.....	20
<b>Chapter 6: Service And Maintenance</b> .....	<b>21</b>
6.1 Service.....	21
6.3 Cabinet Removal.....	23
6.4 Troubleshooting.....	23
6.5 Calibration.....	24
6.5.1 Meter Tracking.....	24
6.5.2 Voltage Accuracy.....	24
6.5.3 Range-Resistor Accuracy.....	25
6.5.4 Coarse $\infty$ Adjustment.....	25
6.6 Knob Removal.....	25
6.7 Knob Installation.....	26
6.8 Meter Cover Care.....	27
<b>Chapter 7: PARTS LISTS AND DIAGRAMS</b> .....	<b>29</b>

## Figures

<i>Figure 1-1. Type 1864 Front-Panel View .....</i>	<i>iv</i>
<i>Figure 1-2. Type 1863 Front-panel Controls, Connectors and Indicators .....</i>	<i>2</i>
<i>Figure 1-3. Type 1864 rear-panel controls and connectors .....</i>	<i>4</i>
<i>Figure 1-4. Methods of connection to the measurement terminals .....</i>	<i>5</i>
<i>Figure 2-1. Dimensions of the GR/IET 1863 Megohmmeters .....</i>	<i>7</i>
<i>Figure 3-1 Connection to GUARD and +UNKNOWN terminals .....</i>	<i>10</i>
<i>Figure 4-1. Electrode arrangement for resistivity measurements .....</i>	<i>14</i>
<i>Figure 4-2 Basic megohmmeter circuit .....</i>	<i>15</i>
<i>Figure 4-3. Guarded measurement of a three-terminal resistor .....</i>	<i>16</i>
<i>Figure 5-1 Megohmmeter block diagram .....</i>	<i>20</i>
<i>Figure 6-1. Connections for measuring standard resistors .....</i>	<i>22</i>
<i>Figure 6-2. Top interior view of 1863 Megohmmeter .....</i>	<i>25</i>
<i>Figure 6-3. Bottom interior view of 1863 Megohmmeter .....</i>	<i>25</i>
<i>Figure 6-4. Top interior view of 1864 Megohmmeter .....</i>	<i>26</i>
<i>Figure 6-5. Bottom interior view of 1864 Megohmmeter .....</i>	<i>26</i>
<i>Figure 7-1. Replaceable mechanical parts on the 1863 .....</i>	<i>32</i>
<i>Figure 7-2. Replaceable mechanical parts on the 1864 .....</i>	<i>33</i>
<i>Figure 7-3. Type 1863 switching diagram .....</i>	<i>34</i>
<i>Figure 7-4. Regulator and amplifier circuits etched-board assembly .....</i>	<i>35</i>
<i>Figure 7-5. Type 1863 rectifier circuit etched-board assembly .....</i>	<i>35</i>
<i>Figure 7-6. Type 1863 schematic diagram .....</i>	<i>36</i>
<i>Figure 7-7. Type 1864 switching diagram .....</i>	<i>37</i>
<i>Figure 7-8. Type 1864 rectifier circuit etched-board assembly .....</i>	<i>38</i>
<i>Figure 7-9. Type 1864 schematic diagram .....</i>	<i>39</i>
<i>Figure 7-10. Complete cabinet assembly .....</i>	<i>40</i>

# 1863 and 1864 Meghommeters



Figure 1-1. Type 1864 Front-Panel View

NOTE: The 1863 front panel is similar.  
See Figure 1-2.



## Condensed Operating Instructions

### DANGER



The energy stored in a capacitor connected to the terminals may be **LETHAL**. Always set the function switch to **DISCHARGE** before you connect or disconnect the unknown. Otherwise the terminals of the Megohmmeter, cables and unknown should be considered under high voltage of up to 1090 Vdc.



In order to measure an unknown resistor (as a sample test):

1. Set that the function switch is set to the **DISCHARGE** position.
2. Turn the unit On.
3. Verify that the **DANGER** light is not lit.  
*Note: The **DANGER** light is triggered by a voltage-sensing circuit within the Megohmmeter. It is independent of the switch setting.*
4. Connect the shorting link between the **GROUND** terminal and the **GUARD**.  
*(For additional information, see section 3.1.1)*
5. Set test-voltage dial the lowest possible voltage setting and increase later if necessary.
6. For 1863 set the Multiplier dial to 1 M.  
For 1864 set Multiplier dial to 100 k.
7. Adjust the **SET**  $\infty$  control knob to  $\infty$  reading on the meter.  
*For additional information, see section 3.1.3.*
8. Connect the unknown resistor to the **UNKNOWN** terminals.
9. Set the function switch to the **CHARGE** position and pause for a few seconds.  
*If the sample has a large capacitance, charging time has to be increased accordingly.*
10. Set the function switch to the **MEASURE** position and wait for the reading to stabilize.
11. If the meter reading is above 5.0, adjust the Multiplier dial, increasing the indicated resistance range until an on-scale reading is obtained.  
*If the meter reading is below 0.5, the resistance is too low to be measured by the Megohmmeter.*  
*Value = Meter reading \* Range multiplier*
12. Set the function switch to **DISCHARGE** and wait a few seconds.
13. Disconnect the resistor from the **UNKNOWN** terminals.

## SAFETY SUMMARY

The following general safety precautions must be observed during all phases of operation, service, and repair of this instrument. Failure to comply with these precautions or with specific WARNINGS elsewhere in this manual may impair the protection provided by the equipment. Such noncompliance would also violate safety standards of design, manufacture, and intended use of the instrument.

IET Labs assumes no liability for the customer's failure to comply with these precautions.

The 1863 and 1864 Megohmmeters comply with INSTALLATION CATEGORY I as well as POLLUTION DEGREE 2 as defined in IEC61010-1.

Voltages of up to 1090 Vdc maybe present at measurement terminals of the 1864 Megohmmeter and voltages of up to 500 Vdc on the measurement terminals of the 1863 Megohmmeter.

If an instrument is marked CAT I (IEC Measurement Category I), or it is not marked with a measurement category, its measurement terminals must not be connected to line-voltage mains and it is not designed for use as for measurements within measurement categories II, III and IV,

The 1863 and 1864 Megohmmeters are an indoor use product.

### DANGEROUS PROCEDURE WARNINGS

Comply with all WARNINGS - Procedures throughout in this manual prevent you from potential hazard. These instructions contained in the warnings must be followed.

### BEFORE APPLYING POWER

Verify that all safety precautions are taken. Make all connections to the instrument before applying power. Note the instrument's external markings described under "Safety Symbols".

### GROUND THE INSTRUMENT

This is a Safety Class I instrument. To minimize shock hazard, the instrument chassis and cabinet must be connected to an electrical ground. The power terminal and the power cable must meet International Electrotechnical Commission (IEC) safety standards.

## SAFETY SUMMARY CONTINUED



CAUTION



- DO NOT Operate in an Explosive Atmosphere
- DO NOT operate the instrument in the presence of inflammable gasses or fumes
- Operation of any electrical instrument in such an environment clearly constitutes a safety hazard
- Use Caution around live circuits
- To prevent electrical shock operators must not remove instrument covers
- Component replacement and internal adjustments must be made by qualified maintenance personnel only
- DO NOT substitute parts or modify the instrument
- There are no user serviceable parts inside.
- Refer servicing to qualified personnel.
- Only replaced fuses with correct size and rating to prevent electrical shock

To avoid the danger of introducing additional hazards, do not install substitute parts or perform unauthorized modifications to the instrument.

Return the instrument to an IET Labs for service and repair to ensure that safety features are maintained in operational condition.

## Safety Symbols

General definitions of safety symbols used on the instrument or in manuals are listed below.



Caution symbol: the product is marked with this symbol when it is necessary for the user to refer to the instruction manual.



Hazardous voltage symbol: the product is marked with this symbol when high voltage maybe present on the product and an electrical shock hazard can exist.



Indicates the grounding protect terminal, which is used to prevent electric shock from the leakage on chassis. The ground terminal must connect to earth before using the product



Direct current.



Alternating current.



Frame or chassis terminal. A connection to the frame (chassis) of the equipment which normally includes all exposed metal structures.



On supply.



Off supply.



Hot surface. Avoid contact. Surfaces are hot and may cause personal injury if touched.

### Disposal



Waste Electrical and Electronic Equipment (WEEE) Directive 2002/96/EC

This product complies with the WEEE Directive (2002/96/EC) marking requirements.

The affixed label indicates that you must not discard this electrical/ electronic product in domestic household waste.

Product Category: With reference to the equipment types in the WEEE directive Annex 1, this product is classified as a “Monitoring and Control instrumentation” product.

Do not dispose of electrical appliances as unsorted municipal waste, use separate collection facilities.

Contact your local government for information regarding the collection systems available. If electrical appliances are disposed of in landfills or dumps, hazardous substances can leak into the groundwater and get into the food chain, damaging your health and well-being.

When replacing old appliances with new one, the retailer is legally obligated to take back your old appliances for disposal.

### Proposition 65 Warning for California Residents



**WARNING:** Cancer and Reproductive Harm - [www.P65Warnings.ca.gov](http://www.P65Warnings.ca.gov).

# Specifications

## 1863 Specifications

Voltage Setting	Rmin (Full Scale left end) ("0.5" rdg)	Rmax (right end)	
		(10% of scale) ("5" rdg)	(2.5% of scale) ("20" rdg)
50, 100 Vdc	50 kΩ	500 GΩ	2 TΩ
200, 250 & 500 Vdc	500 kΩ	5 TΩ	20 TΩ

## 1864 Specifications

Voltage Setting	Rmin (Full Scale left end) ("0.5" rdg)	Rmax (right end)		Useful Ranges
		(10% of scale) ("5" rdg)	(2.5% of scale) ("20" rdg)	
10 Vdc to 50 Vdc	50 kΩ	500 GΩ	2 TΩ*	7
50 Vdc to 100 Vdc	200 kΩ	5 TΩ	20 TΩ	8
100 Vdc to 500 Vdc	500 kΩ	5 TΩ	20 TΩ*	7
500 Vdc to 1090 Vdc	5 MΩ	50 TΩ	200 TΩ	8

\*Recommended Limit

## Common Specifications

**Resistance Accuracy** (min reading is 0.5):

**Range 1-5:**  $\pm 2(\text{meter reading} + 1)\%$   
*(For example, if meter reading is 0.5, accuracy is  $\pm 2(0.5 + 1)\% = \pm 3\%$ )*

**Range 6:**  $\pm 2(\text{meter reading} + 1)\% + 2\%$

**Range 7:**  $\pm 2(\text{meter reading} + 1)\% + 3\%$

**Range 8:**  $\pm 2(\text{meter reading} + 1)\% + 5\%$

**Meter Display:**

Full mechanical zero at right end, so 2.5 % full-scale is near right end and full-scale is at left end. However, resistance values read naturally, increasing from left to right.

**Voltage Accuracy** (across unknown):

$\pm 2\%$

**Short-Circuit Current:**

Approximately 5 mA

**Power:**

100 - 125 or 200 - 250 V Selectable on rear panel

50 - 400 Hz

13 W

**Fuse:**

**For 100 to 125 V operation:** T 1/4 A, 250V

**For 200 to 250 V operation:** T 1/8 A, 250V

Fuse holder is located under the IEC receptacle and holds a 5 x 20 mm fuse.

**Dimensions**

6.63 x 10 x 6.75 in.

16.8 x 25.4 x 17.1 cm

**Weight**

9.5 lb. 4.4 kg

**Environmental conditions:**

**Operating:** 10°C to 40°C; <70% RH  
non-condensing

**Storage:** -20°C to 60°C ; <80% RH  
non-condensing

**Altitude**

Operating: 0 - 2000 m; storage: 0 - 4600 m

**Safety**

Conforms to IEC61010-1; CAT 1, Pollution Degree 2

## Specifications Continued

### Recycling:



This product complies with the WEEE Directive (2002/96/EC) marking requirements. The affixed label indicates that you must not discard this electrical/electronic product in domestic household waste.

Product Category: With reference to the equipment types in the WEEE Directive Annex I, this product is classed as a “Monitoring and Control instrumentation” product.

# Chapter 1

## INTRODUCTION

### DANGER



The energy stored in a capacitor connected to the terminals may be **LETHAL**. Always set the function switch to **DISCHARGE** before you connect or disconnect the unknown. Otherwise the terminals of the Megohmmeter, cables and unknown should be considered under high voltage of up to 1090 Vdc.



### 1.1 Description

The 1863 and 1864 are megohmmeters designed to measure dc resistance from 50 k $\Omega$  to 200 T $\Omega$ . Both instruments feature an analog meter for readout of the resistance and a built-in floating dc voltage source.

The Type 1863 Megohmmeter indicates directly on an analog panel meter any resistance from 50 k $\Omega$  to 20 T $\Omega$ . The voltage applied to the unknown can be 50, 100, 200, 250 or 500 Vdc when using the 1863.

The Type 1864 (Figure 1-2B) indicates resistance from 50 k $\Omega$  to 200 T $\Omega$ . These ranges are suitable for leakage-resistance measurements of most types of insulation used in electrical instruments, electronic devices and components, etc (Section 4).

The 1864 has a voltage range from 10 to 1090 V that can be set in 1 Vdc steps from 10 to 109 V, and in 10 V steps from 100 to 1090 V by using the **TEST VOLTAGE** switches on the front panel.

The 100-volt setting is the EIA standard for measurement of composition, film, and wire-wound resistors above 100 kilohms. The 500-volt setting is a standard value in the measurement of the insulation resistance of rotating machinery, transformers, cables, capacitors, appliances, and other electrical equipment.

A regulated power supply and charging circuit permit rapid and accurate measurement of the leakage resistance of capacitors.

Guard and ground terminals permit measurement of grounded or ungrounded two- or three-terminal resistors.



A panel warning light, marked DANGER indicates when voltage is applied to the test terminals and alerts users to the fact that hazardous voltages are present; at the terminals of the megohmmeter, any cables that are connected to the binding posts and any device under test.



### 1.2 Opening and Tilting the Cabinet

To open the cabinet, refer to the pictorial graphic on the rear panel of the unit; see Figure 1-3. The Flip-Tilt cabinet can be opened by placing the instrument on its rubber feet with the handle away from you. Push down on the handle and the instrument, located in the upper part of the case, will rotate to a vertical position. While holding the handle down with one hand, rotate the instrument to the desired position with the other hand and then slowly release the handle.

### 1.3 Controls, Connectors and Indicators

Figure 1-2 shows the front-panel controls, connectors and indicators of the 1863 and 1864. Table 1-1 lists and identifies them. Figure 1-3 shows the rear panel controls and connectors, and Table 1-2 lists and identifies them.

# 1863 and 1864 Meghommeters



Figure 1-2. Type 1863 Front-panel Controls, Connectors and Indicators





Figure 1-2.B Type 1864 Front-panel Controls, Connectors and Indicators

**Table 1-1****FRONT-PANEL CONTROLS, CONNECTORS AND INDICATORS**

Figure 1-2 Reference	Name	Instrument		Type	Function
		1863	1864		
1	POWER OFF	X	X	2-position toggle switch	Turns power on and off.
2	Meter	X	X	4-in. meter with plastic cover	Indicates the value to be multiplied by the multiplier switch.
3	SET $\infty$ HIGHEST RANGE	X		Screwdriver rotated control	Adjusts high end of meter scale on highest resistance range to compensate for offset current.
			X	Knob rotated control	
4	SET $\infty$	X		Screwdriver rotated control	Adjusts high end of meter scale to compensate for offset voltage in the voltmeter.
			X	Knob rotated control	
5	GUARD	X	X	Insulated binding post	For guarded measurements. The center of the post is 3/4 in. from the center of the ground post so that it can accept a shorting link.
6	Ground	X	X	Uninsulated binding post	Grounds the + unknown or guard. Contains captive shorting link.
7	UNKNOWN +	X	X	Insulated binding post	Connects the + side of the unknown to the megohmmeter.
8	UNKNOWN -	X	X	Insulated binding post	Connects the - side of the unknown to the megohmmeter.
9	DANGER	X	X	Indicating light shaded red	Glows red when the function switch is in the CHARGE or MEASURE position.
10	Multiplier	X		7-position rotary switch	Selects resistance range.
			X	8-position rotary switch	
11	MEASURE-CHARGE-DISCHARGE	X	X	3-position toggle switch	Selects the operating mode applied to the unknown.
12	TEST VOLTAGE	X		5-position rotary switch	Selects the test voltage as 50, 100, 200, 250 or 500 V.
			X	3 rotary switches: a 10-position, a 9-position and a 2-position (left to right)	Select voltage in 1-V steps from 10 to 109 V and in 10-V steps from 100 to 1090 V.



Figure 1-3. Type 1864 rear-panel controls and connectors

Table 1.2.

Figure 1-3 Reference	Name	Instrument		Type	Function
		1863	1864		
1	Power Input	X	X	IEC standard power input receptacle	Power input and circuit protection
2	Output	X	X	Phone jack	Provides a dc voltage output for recorder or DMM
3	Line Voltage	X	X	2-position slide switch	Connects wiring of power transformer for either 100 to 125 V or 200 to 250 V input
4	Fuse Holder	X	X	Integral fuse holder	Holder for 5 x 20 mm <b>For 100 to 125 V operation: T 1/4 A fuse</b> <b>For 200 to 250 V operation: T 1/8 A fuse</b>

1.4 Prefixes

These instruments indicate the resistance of the unknown in multiples of ohms. The relationship between ohms ( $\Omega$ ), kilohms ( $k\Omega$ ), megohms ( $M\Omega$ ), gigahms ( $G\Omega$ ), and terahms ( $T\Omega$ ) is as follows:

$1 M\Omega = 10^6 \Omega = 10^3 k\Omega$   
 $1 G\Omega = 10^9 \Omega = 10^6 k\Omega = 10^3 M\Omega$   
 $1 T\Omega = 10^{12} \Omega = 10^9 k\Omega = 10^6 M\Omega = 10^3 G\Omega$

1.5 Connections

The **UNKNOWN**, **GUARD** and ground terminals are standard 3/4-in. spaced binding posts that accept banana plugs, standard telephone tips, alligator clips, crocodile clips, spade terminals and all wire sizes up to number eleven (Figure 1.4).

When several measurements of components with leads are to be made, consult IET for an appropriate test jig or fixture.

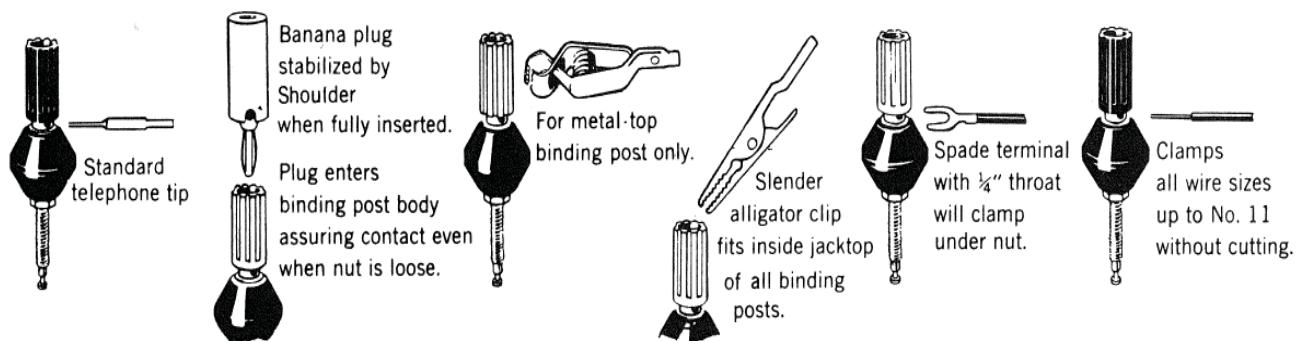
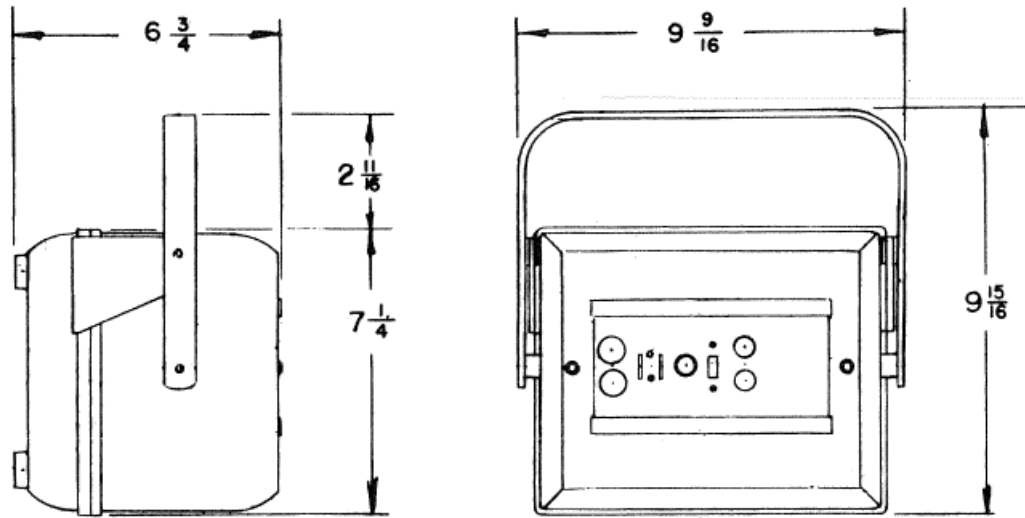


Figure 1-4. Methods of connection to the measurement terminals

## Chapter 2

### INSTALLATION



Dimensions in inches

#### BENCH MOUNTED

Figure 2-1. Dimensions of the GR/IET 1863 and 1864 Megohmmeters

#### 2.1 Initial Inspection

IET instruments receive a careful mechanical and electrical inspection before shipment. Upon receipt, verify that the contents are intact and as ordered. The instrument should then be given a visual and operational inspection.

If any shipping damage is found, contact the carrier and IET Labs. If any operational problems are encountered, contact IET Labs and refer to the warranty at the beginning of this manual.

Save all original packing material for convenience in case shipping of the instrument should become necessary.

#### 2.2 Dimensions

The dimensions of the 1863 and 1864 are shown in both the rack- and bench-mounted configurations in Figure 2-1.

#### 2.3 Repackaging for Shipment

If the instrument is to be returned to IET Labs, contact the Service Department at the number or address, shown on the front cover of this manual, to obtain a "Returned Material Authorization" (RMA) number and any special shipping instructions or assistance. Proceed as follows:

1. Attach a tag to the instrument identifying the owner and indicate the service or repair to be accomplished. Include the model number, the full serial number of the instrument, the RMA number, and shipping address.
2. Wrap the instrument in heavy paper or plastic.
3. Protect the front panel and any other protrusions with cardboard or foam padding.
4. Place instrument in original container or equally substantial heavy carton.
5. Use packing material around all sides of instrument.
6. Seal with strong tape or bands.
7. Mark shipping container "DELICATE INSTRUMENT," "FRAGILE," etc.

### 2.4 Storage

If this instrument is to be stored for any lengthy period of time, it should be sealed in plastic and stored in a dry location. It should not be subjected to temperature extremes beyond the specifications. Extended exposure to such temperatures can result in an irreversible change in resistance, and require recalibration.

### 2.5 Bench Setup

The bench (portable) model of the megohmmeter is cased in a Flip-Tilt cabinet. The cabinet opens by pushing down on the handle and tipping the instrument into the desired operating position (paragraph 1.2).

### 2.6 Rack Mounting

Consult IET Labs.



### 2.7 Power Connections



Power connection to the rear panel is through an ac inlet module comprised of an ac connector and fuse drawer. Always use an outlet that has a properly connected protection ground.

The 1863 and 1864 Megohmmeters can be operated from either a 100- to 125-V or a 200- to 250-V, 50-to 400-Hz power line.

Before connecting the 3-wire IEC power cord to the line, set the slide switch on the rear panel to the proper setting as indicated by the position of the white line on the slide switch. The slide can be actuated with a screwdriver blade. Verify that the correct size fuse for the input voltage selected has been installed (1/4 A slow blow for 100-125 V input or 1/8 A slow blow for 200-250 V input).

To change the fuse, proceed as follows: Procedure

1. Make sure the unit has been disconnected from its ac power source for at least

five minutes before proceeding.

2. Remove the fuse drawer by inserting a small flat head screwdriver behind the small tab to force the draw outward.

3. Once the fuse drawer has been completely removed from the instrument the fuse may be removed.

4. Remove the active fuse from the holder and insert the replacement fuse into the fuse holder.

5. Once the fuse has been installed in the holder and spare fuse (if desired) installed in the right side of the tray insert the tray back into the fuse drawer, push in and lock.

Only use a three-conductor AC power cord to connect the cabinet (if used) and the instrument to an electrical ground (safety ground).

Plug the supplied IEC power cord into the instrument into a power receptacle that has a ground. The power cord may of course be selected to match the available receptacle.

### 2.8 Environmental

Do not operate the instrument in the presence of flammable gasses or fumes.

The 1863 and 1864 Megohmmeters are for indoor use only.

There are no special requirements for ventilation.

#### Temperature and Humidity

**Operating:** 10°C to 40°C; <70% RH  
non-condensing

**Storage:** -20°C to 60°C ; <80% RH  
non-condensing

#### Altitude

Operating: 0 - 2000 m; storage: 0 - 4600 m

## 2.9 Safety Considerations

Refer to the Safety Summary page at the beginning of this guide for general safety information. Before installation or operation, review this guide for safety warnings and instructions. Safety warnings for specific procedures are located at appropriate places throughout this guide.

### 2.10 Cleaning

To prevent shock unplug the 1863 and 1864 from mains prior to cleaning.

Use a dry cloth or a cloth slightly dampened with water to clean the external case parts.

Do not use detergents or chemical solvents.

Do not attempt to clean internally.

Denatured alcohol can be used to clean insulators around binding posts.

See section 6.8 for cleaning and care of the analog meter.

### 2.10 Calibration

Calibration and adjustments should be performed periodically so the instrument remains in specifications.

See Chapter 6 for more information on calibration and service.

## 2.11 Cautions Regarding Use of Instrument

If this instrument is used in a manner not specified in this manual, the operator and the equipment are at risk.

1. Never touch the metal parts of the lead(s).
2. Never touch the test leads, test fixture or DUT in any manner (this includes insulation on all wires and clips) when the high voltage is applied and the red DANGER light is ON.
3. Before turning on the instrument make sure there is

no device (DUT) or fixture connected to the test leads.

4. After each test, make sure the toggle switch is set to DISCHARGE for safety. This terminates the high voltage being applied to the output terminals and discharges the DUT.

5. When the red DANGER light is lit NEVER touch the device under test, the lead wires or the output terminals.

6. Before touching the test lead wires or output terminals make sure :

- a) The MEAS/CHARGE/DISCHARGE toggle switch is set to DISCHARGE and the red DANGER light is OFF.

7. In the case of an emergency; turn the MEAS/CHARGE/DISCHARGE to DISCHARGE, and turn OFF the POWER switch using a “hot stick” and disconnect the AC power cord from the wall. DO NOT TOUCH THE INSTRUMENT.

8. Position the equipment so it is easy to disconnect. Disconnect by means of the power plug or power connector.

9. If the DANGER light does not go off when the toggle switch is set to DISCHARGE, immediately stop using the megohmmeter. It is possible that the output voltage is still being delivered regardless of the MEAS/CHARGE/DISCHARGE toggle switch.

10. The 1863 and 1864 should be located on a bench or other surface so as not to make the equipment difficult to operate.

### 2.12 Instrument Return and Technical Support

Before returning an instrument to IET Labs for Service please obtain an online Return Materials Authorization Number (RMA#). This number, when placed on the outside of the shipping package, will speed processing at our Service Lab and will serve as a reference number for the time your unit is at IET Labs.

It will be necessary to include a Purchase Order Number and credit card information to insure expedient processing, although units found to be in warranty will be repaired at no-

## 1863 and 1864 Meghommeters

charge.

For any questions on repair costs or shipment instructions please contact our CCC Department at the above number. To safeguard an instrument during storage and shipping please use packaging that is adequate to protect it from damage, i.e., equivalent to the original packaging and mark the box “Delicate Electronic Instrument”.

Please follow online instructions include with RMA # for shipping materials back to IET Labs.

Please contact our Sales Department at 516-334-5959, [www.ietlabs.com](http://www.ietlabs.com) or [info@ietlabs.com](mailto:info@ietlabs.com) for technical and additional support.



## Chapter 3

# OPERATION

### Shock Hazard



**The function switch must be in the DISCHARGE position whenever the unit is in a standby mode or before handling a DUT including resistors.**

Every precaution has been taken in the design of the Types 1863 and 1864 Megohmmeters to reduce the possibility of shock. However, high voltage must be present at the terminals to make measurements at the required voltage levels, and the operator should be aware of the dangers involved.

The current delivered by the megohmmeters under short-circuit conditions is approximately 5 mA. This 5 mA current can be lethal and it is painful to all.

Note that any of the three insulated binding posts can be at high voltage, depending on the position of the shorting link.

When capacitors are tested, there is an especially dangerous condition because a charged capacitor can have enough energy to cause heart fibrillation and death. The capacitor should always be shunted before connecting to the megohmmeter, and the function switch should be set to **DISCHARGE** for a few seconds before the capacitor is disconnected.

We strongly recommend that additional precautions such as rubber gloves and insulated bench top, chairs and shoes should be used by anyone making repetitive measurements with the megohmmeter, especially measurements on capacitors.

The 1863 and 1864 should be located on a bench or other surface so as not to make the equipment difficult to operate.

These precautions should not take the place of careful discharge of the capacitors before and after measurement, but should be used as an additional safety measure.

**NEVER** operate the 1863 and 1864 Megohmmeter with broken or damaged parts including the knobs and dials.

### 3.1 Operating Guide

#### 3.1.1 Ground-Link Connection

The grounding link that connects to the uninsulated, **GROUND** binding post can be connected from this ground terminal to the **GUARD** or the **+UNKNOWN** terminal (Figure 3-1). The ground link should be connected to the **GUARD** terminal if the sample to be measured is a small separate component, or if it is a component mounted in an enclosure that should be guarded (see section 4.6). However, if one terminal of the unknown must be grounded, then the link should tie the **+UNKNOWN** terminal to the instrument case. See Figure 3-1.

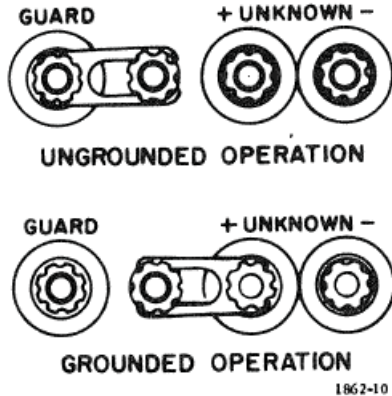


Figure 3-1 Ground-link connection to **GUARD** terminal (top) and to **+UNKNOWN** terminal (bottom)

#### 3.1.2 Test Voltage Selection

The **TEST VOLTAGE** dial(s) should be set to the desired measurement voltage. The 1863 Megohmmeter has five individual test voltages, 50, 100, 200, and 500 Vdc. The 1864 Megohmmeter has a selection of 10 to 109 Vdc in 1-V steps or 100 to 1090 Vdc in 10-V steps. On the 1864, the right-hand **TEST VOLTAGE** switch must be set to the **V** position for the low voltages and to the **0 V** position for the high voltages.

#### 3.1.3 Initial adjustments

To set initial adjustments, proceed as follows:

1. Make sure the function switch is set to **DISCHARGE**.
2. Make sure that nothing is connected to the **UNKNOWN** terminals.
3. Turn the instrument on.
4. Set the multiplier dial to any range.
5. Adjust the **SET**  $\infty$  control for an  $\infty$  reading on the meter.
6. Set the multiplier switch to the highest range.  
1863 -- 1T-100G  
1864 -- 10-1T
7. Set the function switch to **MEASURE**.
8. Adjust the **SET**  $\infty$  **HIGHEST RANGE** on the instrument for an  $\infty$  meter reading.

If this adjustment cannot be made electrically, turn the instrument off and adjust the mechanical meter zero adjustment (the center screw on the meter) to give a meter reading of less than a line width beyond  $\infty$ . Repeat steps 1 through 8.

#### 3.1.4 Connection of Unknown

Small components should be connected directly to the **UNKNOWN** terminals. Insulated leads can be connected to a nearby unknown; however, if the unknown resistance is high, leakage between the leads will cause a measurement error, and a change in capacitance to the high lead will cause a transient meter deflection. For such high resistance measurements, a shielded system is preferable (refer to paragraph 4.7).

For best accuracy, keep the leads separated.

#### 3.1.5 Measurement Procedure

Depending on whether or not the resistance-multiplier range is known, either of two measurement procedures may be used. If the resistance range is not known, follow the procedure in section 3.1.5.1. If the resistance range is known, follow the procedure in section 3.1.5.2.

### 3.1.5.1 Measuring an Unknown Value

When the approximate resistance of the sample to be measured is not known, proceed as follows:

1. Verify that the function switch is in the **DISCHARGE** position and the **DANGER** light is not lit.

*Note: The **DANGER** light is triggered by a voltage-sensing circuit within the Megohmmeter. It is independent of the switch setting.*

2. Select the appropriate ground-link connection (see section 3.1.1)
3. Set test-voltage dial(s) to the appropriate voltage (see section 3.1.2).

*If the appropriate voltage is unknown, start with the lowest possible voltage setting and increase later as necessary.*

4. Make initial adjustments (see section 3.1.3).
5. Set the multiplier dial to the lowest range.
6. Connect the unknown between the **UNKNOWN +** and **-** terminals.
7. Flip the function switch to the **CHARGE** position and pause for a few seconds.

*If the sample has a large capacitance, charging time has to be increased accordingly.*

8. Flip the function switch to the **MEASURE** position and wait for the reading to stabilize.
9. Rotate the multiplier switch cw until the meter shows an on-scale reading.

$Value = Meter\ reading * Range\ multiplier$

*If the meter reading is below 0.5, the resistance is too low to be measured by the Megohmmeter.*

10. Flip the function switch to **DISCHARGE** and wait a few seconds.
11. Disconnect the sample from the **UNKNOWN** terminals.

For best accuracy and resolution, before taking the final reading, recheck the initial adjustments (section 3.1.3).

### 3.1.5.2 Measuring a Known Value

When the approximate resistance of the sample to be measured is known, proceed as follows:

1. Verify that the function switch is in the **DISCHARGE** position and the **DANGER** light is not lit.

*Note: The **DANGER** light is triggered by a voltage-sensing circuit within the Megohmmeter. It is independent of the switch setting.*

2. Select the appropriate ground-link connection (see section 3.1.1)
3. Set test-voltage dial(s) to the appropriate voltage (see section 3.1.2).
4. Make initial adjustments (see section 3.1.3).
5. Set the multiplier dial to the desired range.
6. Connect the unknown between the **UNKNOWN +** and **-** terminals.
7. Flip the function switch to the **CHARGE** position and pause for a few seconds.

*If the sample has a large capacitance, charge-time has to be increased accordingly.*

8. Flip the function switch to the **MEASURE** position and wait for the reading to stabilize.

$Value = Meter\ reading * Range\ multiplier$

9. For GO/NO-GO checks, mark high and low limit lines.
10. Flip the function switch to **DISCHARGE** and wait a few seconds.
11. Disconnect the sample from the **UNKNOWN** terminals.

For best accuracy and resolution, make measurements towards the low end of the meter scale whenever possible. Before taking the final reading, recheck the initial adjustments (section 3.1.3).

### 3.2 Output for Remote Indication

The **OUTPUT** jack on the rear panel makes accessible a dc voltage that is directly proportional to the reciprocal of the meter reading. That is, the highest value is at the 0.5 scale reading, and the lowest value is at ∞. The output voltage for a particular multiplier-switch setting can be calculated by

$$V_{OUT} = 0.02 \times V_{TEST} \times \frac{R_{RANGE}}{R_x}$$

where  $V_{TEST}$  is the **TEST VOLTAGE** setting,  $R_{RANGE}$  is the lower value for a particular multiplier-dial setting (100k for the 1 M/100 k range) and  $R_x$  is the value of the resistance being measured.

The output can be stored in a data file for plotting, display, or analysis. It can also feed the user's GO/NO-GO indicator. The full-scale voltage value for any test voltage can be calculated from the  $V_{out}$  formula using 0.5 times the measurement range as the  $R_x$  value. Table 3-1 lists the full-scale voltage values for the five test voltages of the 1863. These values are also available on the 1864 along with the other levels that can be set with the variable **TEST VOLTAGE** switches (see Table 3-1).

**Table 3-1**  
OUTPUT VOLTAGE\*

	Lower Multiplier-Dial Setting		Upper-Multiplier-Dial Setting		
	50	100	200	250	500
Test Voltage (V)	50	100	200	250	500
Full-Scale Output Voltage (V)	2	4	0.8	1	2

\* $V_{OUT}$  at 0.5 scale reading.

## Chapter 4

# APPLICATIONS

### 4.1 Insulation Testing

The insulation resistance of electrical machinery, transducers, etc, is one of several parameters that may indicate the condition of the insulation. Routine measurement of capacitance, dissipation factor, and leakage resistance provides useful data for monitoring the condition of the insulation and for guarding against incipient breakdown.

A routine test that has been widely adopted for insulation testing calls for the measurement of the apparent leakage resistance after a test voltage has been applied for one minute and again after the test voltage has been applied for 10 minutes. The ratio of the indicated resistances, sometimes referred to as the Polarization Index, can have some relation to the condition of the Insulation. The results of such a measurement are apt to be more dependent on the dielectric absorption of the insulator than on its true leakage resistance measured at equilibrium. A complete charge-current-vs-time plot will provide more useful information.

The Type 1863 and 1864 Megohmmeters can be used for either true leakage measurements or for measurements at 1-or 10-minute intervals following the operating procedure described in Section 3. MIL-STD-202C gives procedures for insulation-resistance measurements of various components. On large machinery, one terminal must usually be grounded. The Megohmmeter is designed so that the binding post grounding strap should be connected between the ground terminal and the +UNKNOWN terminal.

To determine the charge current, divide the test voltage by the indicated resistance. At the start of a charge-current-vs-time plot, the meter will be off scale. The resistance in series with the insulator is the reading of the upper dial multiplier divided by 500. Table 4-1 lists dial readings and resistor values.

### APPLICATIONS

Table 4-1

STANDARD RESISTOR VALUES ( $R_s$ )

Multiplier Range		Value ( $\Omega$ )
Lower Dial	Upper Dial	
50, 100 V* 10 to 109 V†	200, 250, 500 V* 100 to 1000 V†	
100 k	1M	2 k
.1 M	10 M	20 k
10 M	100 M	200 k
100 M	1 G	2 M
1 G	10 G	20 M
10 G	100 G	200 M
100 G	1 T	200 M with feedback multiplication* 2 G†
1 T	10 T	2 G with feedback multiplication†

\*Type 1863 Megohmmeter

†Type 1864 Megohmmeter

### 4.2 Test Sample Resistivity Measurements

The megohmmeter can be used for measuring the resistivity of test samples as described by ASTM Standard D257, which describes in detail the techniques for both surface-and volume-resistivity measurements. The most common electrode arrangement is that shown in Figure 4.1. In this configuration surface resistivity is measured with terminal 1 tied to the -UNKNOWN terminal, terminal 2 tied to the +UNKNOWN terminal and terminal 3 tied to **GUARD**. For volume resistivity measurements, terminal 1 is tied to the -UNKNOWN terminal, terminal 2 to the **GUARD** and terminal 3 to the +UNKNOWN terminal. The formulas required to convert from measured resistance to resistivity are given in the ASTM standard. Contact IET regarding the availability of resistivity test fixtures.

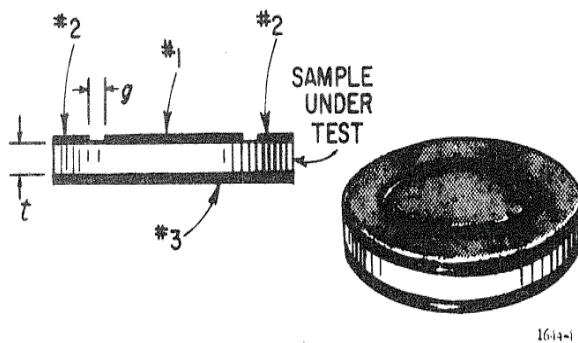


Figure 4-1. Electrode arrangement for resistivity measurements

### 4.3 Capacitor Insulation Resistance

#### 4.3.1 General

The insulation resistance, IR, of capacitors is measured by either the search or sort method (paragraph 3.2.2 and 3.2.3) used for resistors, except that some consideration must be given to the charge and discharge currents.



**Capacitors being measured may be charged and may contain lethal energy. Always set the function switch to DISCHARGE before connecting or disconnecting the capacitor under test.**

#### 4.3.2 Charging Time Constant

The time constant for charging a capacitor in the **CHARGE** position is determined by the value of the capacitor times the effective source impedance of the supply. The supply resistance is approximately,

$$R_0 = \frac{E}{I_{\text{MAX}}} \Omega = \frac{E}{0.005\text{A}} \Omega = \frac{E}{5} \text{ k}\Omega$$

where E is the indicated test voltage in volts and I max is the short-circuit current, which is approximately 5 mA.

Therefore, the time constant is:

$$T = R_0 C_x = \frac{EC_x}{5000} \text{ seconds}$$

where  $C_x$  is in  $\mu\text{F}$ . As an example, on the 500 V range,  $R_0$  is approximately 100 k $\Omega$  so that the time constant for charging of a 1  $\mu\text{F}$  capacitor is 0.1 s.

The time necessary for full charging depends on the type of capacitor and the leakage current that is to be measured. A capacitor with no dielectric absorption will have a charging current that decreases by a factor of 2.72 (the natural logarithm to the base e) for every time constant it is left in the **CHARGE** position.

Thus, the effective resistance at any moment is  $R_0 E^{(t/R_0 C_x)}$ . The capacitor could be considered fully charged when this resistance is substantially higher than the true leakage resistance, even though the charging current theoretically never reaches zero. As an example a 1  $\mu\text{F}$  capacitor, with a leakage resistance of  $10^{10} \Omega$  measured at 500 V, would have less than 1% error due to charging current, if measured after seventeen time constants, or 1.7 s.

Dielectric absorption (dipole and interfacial polarization) is present in many capacitors and insulators, especially those with a laminated structure. When voltage is applied to such material, the charge slowly diffuses throughout the volume and several minutes, hours, or even days, are required for equilibrium in order to make the charging current small compared with the true leakage current. A measure of this effect, called the Polarization Index, is the ratio of the resistance measured after 10 minutes of charging to that measured after 1 minute of charging. Often, the measured resistance after 1 minute of charging is called the insulation resistance, even though charging current may be much larger than the true leakage current. (Some capacitor specifications say less than 2 minutes).

### 4.3.3 Measurement Time Constant

When the function switch is set from the **CHARGE** position to the **MEASURE** position, the standard resistor is placed in series with the unknown capacitor. If the supply voltage is fixed, the capacitor must discharge by a voltage equal to that across the voltmeter at its final reading. The time constant for this discharge would be  $C_x R_s$ . Because 80% of the output voltage is fed back to the supply, this time constant is reduced by a factor of 5. As a result, the time necessary for an indication, assuming an ideal capacitor, depends on this time constant or that of the meter movement, whichever is longer.

### 4.3.4 Discharge Time

With the function switch set at **DISCHARGE**, the **UNKNOWN** terminals are connected through  $470\ \Omega$  and the discharge time is approximately  $0.0005 \times C\ \mu\text{s}$ , where  $C$  is in  $\mu\text{F}$ . The red **DANGER** light is turned off by the function switch, so that the capacitor might be charged even after the light is extinguished. However, the discharge time is so short that this is not a practical consideration, except for capacitors greater than  $100\ \mu\text{F}$ .

Capacitors with high dielectric absorption (paragraph 4.3.2) can have a residual charge even after they are shunted and must be repeatedly shunted to be completely discharged. Usually this "voltage recovery" is only a few percent (i.e., 3%) of the original applied voltage and, therefore, not dangerous to the operator, but it can cause damage to sensitive circuit elements.

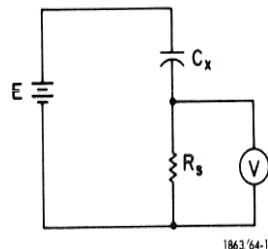


Figure 4-2 Basic megohmmeter circuit

### 4.3.5 Large Capacitors, Very High Resistance

Measuring insulation resistance of large capacitors that have very low leakage is difficult by any method. Considering the basic circuit of Figure 4.2, if  $R_s$  is high, the  $R_s C_x$  time constant can become very long on the high resistance ranges if  $C_x$  is large. If  $R_s$  is low, the voltmeter must be very sensitive for a given leakage resistance range and, therefore, the supply voltage ( $E$ ) must be extremely stable to avoid large meter fluctuations. The design of the 1863 and 1864 is a compromise between these factors. Measurements become difficult when the  $R_s C_x$  product is  $10^6$ , even under ideal conditions. This can be calculated as ( $C_x$  in  $\mu\text{F}$ )  $\times$  ( $R_s$  in  $\text{M}\Omega$ ) or ( $C_x$  in  $\text{F}$ )  $\times$  ( $R_s$  in  $\Omega$ ). Table 4.1 contains values for  $R_s$ .

Measurements can be unsatisfactory even below this value for an  $R_s C_x$  product for several reasons:

**1. Dielectric absorption.** (paragraph 4.3.2). This is the main cause of erroneous readings. Besides the difficulty in deciding what charging period should be used, the previous history of the capacitor will greatly affect its indicated leakage. For example, if a paper capacitor is charged to its rated value, discharged for a short time, and then its leakage current is measured at some low value, it probably will give a reading beyond  $\infty$ . This is due to voltage recovery that is a consequence of dielectric absorption. The voltage across the capacitor will increase above the test voltage causing current to flow in the reverse direction.

**2. Temperature coefficient.** If the temperature on the unknown changes and it has an appreciable temperature coefficient, the voltage on the capacitor will change in the **MEASURE** position. If  $R_s$  is large, the charge ( $Q$ ) of the capacitor is more-or-less constant, so if its capacitance changes, its voltage must change ( $Q=CV$ ). A temperature-controlled environment is recommended.

**3. Test voltage changes.** The test voltage can have rapid fluctuations due to large line-voltage transients even though good regulation is provided in the instrument, because when  $R_s C_x$  is large, the test voltage fluctuations are transmitted to the voltmeter unattenuated.

ated. This difficulty can be reduced if the line voltage is regulated. Slow drift of the test voltage can cause erroneous readings if  $R_S C_X$  is large, because even a slow drift rate can be fast compared to the  $R_S C_X$  time constant. A decreasing test voltage can cause a reading beyond. Sufficient warm-up time (30 minutes) will allow the temperature inside the megohmmeter to stabilize and result in a more constant voltage at the **UNKNOWN** terminals.

#### 4.4 Resistance Measurements

The recommended test voltage is 100 V for fixed composition resistors, film resistors, and wire-wound resistors above 100 kΩ. (Refer to EIA Standards RS172, RS196, and REC 229.) These resistors can be measured easily on the megohmmeter as long as the accuracy of the instrument is adequate. If the resistors are separate, we suggest that they be measured ungrounded (with the grounding link connected to the **GUARD** terminal).

#### 4.5 Measurement of Voltage Coefficient

The Types 1863 and 1864 Megohmmeters may be used to measure voltage coefficient as long as its accuracy is adequate. The voltage coefficient of resistance is defined as:

$$\frac{R_1 - R_2}{R_2(V_1 - V_2)} \times 100\%$$

where  $V_1 > V_2$

$R_1$  is the resistance at  $V_1$ , the higher voltage

$R_2$  is the resistance at  $V_2$

For example, if  $V_1 = 500$  V and  $V_2 = 100$  V

$$\begin{aligned} \text{Voltage coefficient} &= \frac{R_{500V} - R_{100V}}{(400)R_{100V}} \times 100\% \\ &= \frac{1}{4} \frac{\Delta R}{R_{100V}} \% \end{aligned}$$

This voltage coefficient is usually negative (except for reversed semiconductor junctions).

#### 4.6 Guarded 3-Terminal Measurements

In many cases it is necessary to measure the resistance between two points in the presence of resistance from each of these points to a third point. This third point can often be guarded to avoid error caused by the extraneous resistances.

This situation can be shown diagrammatically as a three-terminal resistor (Figure 4-3). Here,  $R_X$  is the quantity to be measured in the presence of  $R_A$  and  $R_B$ . If the junction of  $R_A$  and  $R_B$  is tied to a guard,  $R_A$  is placed across the power supply and has no effect if it is greater than 500 kΩ.  $R_B$  shunts  $R_S$  and causes a much smaller error than that which would be present if no guard were used. The error is approximately  $-R_S/R_B \times 100\%$ , where  $R_S$  equals the value shown in Table 4-1 for the various ranges. If a choice is possible, the higher of the two stray resistances should be connected as  $R_B$ .

The guard terminal can be used whether the **GUARD** or the + **UNKNOWN** terminal is grounded, but note that if the + **UNKNOWN** terminal is grounded, the **GUARD** terminal will be a high (negative) voltage level. Often the terminal to be guarded is a large chassis and it is, therefore, safer to ground the **GUARD** terminal. If this third terminal is true ground then the **GUARD** terminal *must be grounded*.

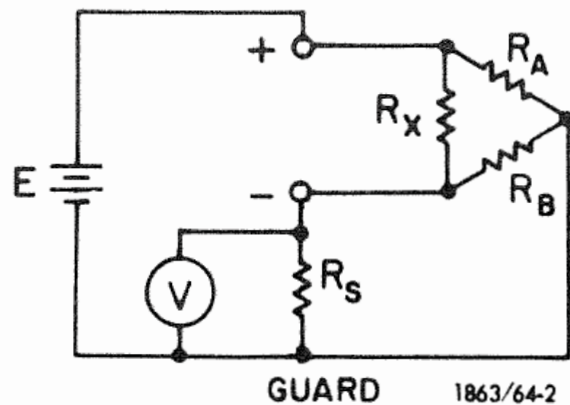


Figure 4-3. Guarded measurement of a three-terminal resistor



#### 4.7 Remote Shielded Measurements

Measurements can be made on components that are some distance from the instrument if care is used to prevent leakage between the connecting leads and to avoid the shock hazard. A convenient way to do this is to use a shielded cable. If the unknown can be measured ungrounded, make the connection to the **+UNKNOWN** terminal with the shielded lead, tie the shield to the **GUARD** terminal, and connect the **GUARD** terminal to the panel ground with the connecting link. If one side of the unknown must be grounded, connect the grounding link to the **+UNKNOWN** terminal, shield the **+UNKNOWN** terminal, and tie the shield to the **GUARD** terminal. In this instance, the shield is not at ground potential and should be insulated.

#### 4.8 Measurements Under Humid Conditions

The Types 1863 and 1864 Megohmmeters have been designed to operate under conditions of high humidity but, nevertheless, a few simple precautions should be taken to ensure accurate measurements. These precautions are:

1. Allow several minutes warmup (internal heat will reduce humidity inside the instrument).
2. Clean the binding-post insulation with a dry, clean cloth.
3. Use ungrounded operation (tie the **GUARD** terminal to the panel ground).

To determine the presence of errors due to humidity, measure the resistance between the binding posts with no external connections. Note that with the **+UNKNOWN** terminal grounded, breathing on the terminals will cause a meter deflection because leakage from the insulator of the **-UNKNOWN** terminal to the panel is measured.

Actually, this problem is somewhat academic because the unknown to be measured is usually much more severely affected by humidity than is the megohmmeter.

**This page intentionally left blank.**

# Chapter 5

## THEORY

### 5.1 Theory Overview

The 1863 and 1864 Megohmmeters consist of a regulated dc power supply, a set of precision resistors, and a FET-input voltmeter (Figure 5.1). Switch  $S_1$  is closed in the **DISCHARGE** position of the function switch and open in the **CHARGE** and **MEASURE** positions. Switch  $S_2$  is open *only* in the **MEASURE** position.

The regulated voltage,  $E$ , is controlled by a resistance  $R_A$ . A fraction,  $E_M$  of the meter output voltage,  $E_X R_S / R_X$  is added to  $E$  to keep the voltage on the unknown,  $E_X$ , more constant and thus improve the meter accuracy. A meter sensitivity resistor,  $R_B$ , is ganged to the voltage control resistor,  $R_A$  to make the meter reading independent of applied voltage, (assuming that the unknown has no voltage coefficient). An inverse scale is used on a reversed meter to give a reading proportional to  $R_X$  (and not its reciprocal) and yet have a scale that increases from left to right (0 to  $\infty$ ).

Metal-film standard resistors are used on all ranges. The top range of each instrument uses feedback to effectively multiply the value of the previous standard resistor by a factor of ten. In the 1863 the 200 M $\Omega$  resistor is multiplied to 2 G $\Omega$ ; in the 1864 the 2 G $\Omega$  resistor is multiplied to 20 G $\Omega$ . The specifications are again broadened to allow for the tolerance variations of this multiplication.

The voltmeter uses a FET-input, four-stage, unity-gain amplifier (AMP, Figure 5.2) to obtain high stability and low drift. The **SET  $\infty$**  control on both instruments is a voltage balance control, while the **SET  $\infty$  HIGHEST RANGE** control compensates for the FET gate current on the highest ranges.

### 5.2 Circuit Description

The following paragraphs relate specific components from the schematic diagrams of the 1863 (Figure 7.6) and 1864 (Figure 7.9) to the general components shown in Figure 5.1.

#### 5.2.1 Type 1863 Megohmmeter (Figure 7.6)

The voltage supply section (RECT.) of the 1863 consists of five different circuits, three dc and two ac. One ac circuit is a voltage source for the three pilot lamps used, two to indicate the measurement range (P101, P102) and the third to light the **DANGER** indicator (P103). The second supplies filament voltage to the vacuum tube V101.

The first dc supply is a half-wave rectifier circuit with a 24-V Zener diode (CR 111) that supplies voltages to the amplifier (AMP) circuit. A second dc supply is a voltage doubler (CR101-CR104, C101-C102) that supplies the plate voltage to V101. The voltage to the plate is the same for the 50- to 250-V ranges but R109 is eliminated from the circuit for the 500 V range. The third dc supply is a half-wave rectifier with a 20-V Zener diode (CR211) to supply voltage levels to run the unity-gain amplifier (+1).

Tube V101 is a series regulator that is controlled by the 5.6 V Zener diode (CR112, REF) and the setting of R140. The voltage picked off R 140 is fed into one side (Q102) of the differential amplifier (Q102, Q103) while part of the output voltage is fed into the other side (Q103). The output of the amplifier is fed to the base of Q101 (AMP) and then to the grid of V101 for controlling the output voltage.

The output selection resistors are R124 through R127 ( $R_A$ ). These resistors along with the voltage ( $E_M$ ) developed across R138, determine the TEST VOLTAGE level. Resistors R211 through R219

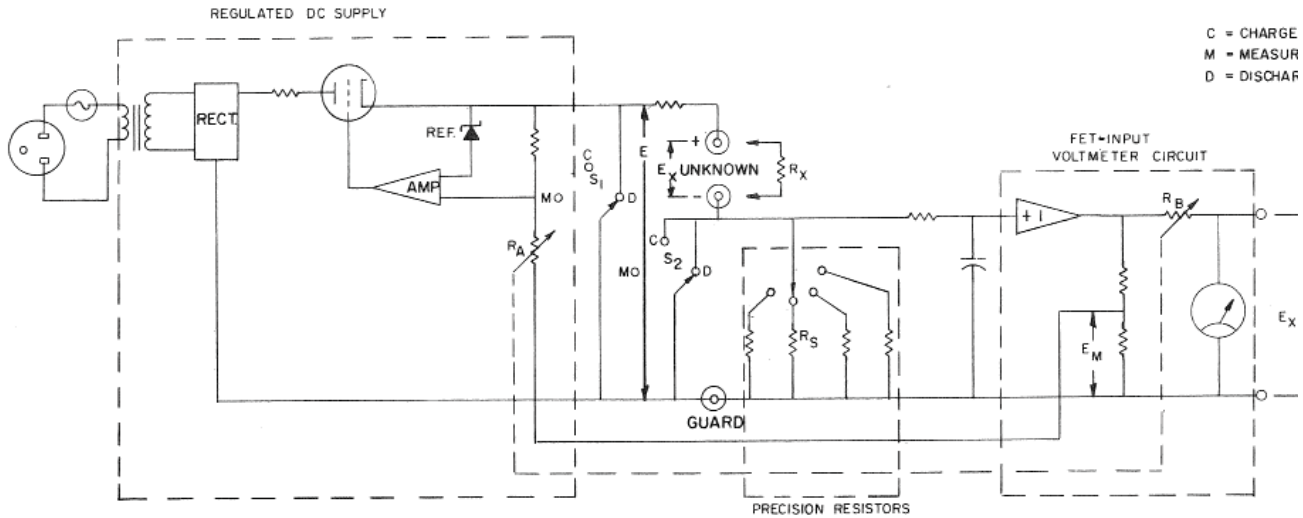


Figure 5-1 Megohmmeter block diagram

are the standard resistors ( $R_s$ ) that determine the measurement range. The output from this circuit is fed through the **SET  $\infty$  HIGHEST RANGE** control (R241) to the FET amplifier.

A unity-gain FET-input amplifier (+1) follows the standard resistors in the circuit configuration. R210 and C203 comprise a low-pass filter input to FET Q204. The amplifier components include a differential amplifier (Q202, Q203), a coarse  $\infty$  control (R244), the SET  $\infty$  control (R242) and an output transistor (Q201). The signal then enters the series combination of R135 and R134 back to the GUARD terminal.

Resistors R221 through R223 ( $R_B$ ) are meter-sensitivity resistors that are ganged to the voltage resistors R124 through R127 ( $R_A$ ). R222 is used for both the 50 V and 500 V ranges, while the 200 V range uses the circuit resistance and has no added resistor. The remaining two resistors, R221 and R223, are used for the 250 and 100V ranges, respectively. Potentiometer R243 is an adjustable control in the meter sensitivity circuit.

5.2.2 Type 1864 Megohmmeter (Figure 7.9)

The circuit of the 1864 Megohmmeter is basically the same as that of the 1863 (paragraph 5.2.1). The exceptions are explained in the following paragraphs.

In the 1864 the second dc power supply is a quadrupler. This supply establishes the plate voltage of V101 with the use of resistors R109 through R114.

The regulator circuit has a slightly different input when the **TEST VOLTAGE** switch is switched from V (1) to 0 V (10). Resistors R124 and R125 are switched out of the circuit in the 0V (10) position.

Voltage-selection resistors for the 1864 are R126 through R133 and the meter sensitivity resistors are R221 through R228. An additional range resistor, R220, is in the 1864.

## Chapter 6

# SERVICE AND MAINTENANCE

### WARNING



**Dangerous voltages are present inside this case. When troubleshooting, a ground strap should be connected between GUARD and GROUND on panel to keep the subpanel (Guard) at ground potential.**



**Refer all servicing to qualified service personnel.**

### 6.1 Service

The warranty attests the quality of materials and workmanship in our products. When difficulties do occur, our service engineers will assist in any way possible. If the difficulty cannot be eliminated by use of the following service instructions, please write or phone our Service Department (see last page of manual), giving full information of the trouble and of steps taken to remedy it. Be sure to mention the type, ID, and serial numbers of the instrument.

**Before returning an instrument to IET for service, please phone or e-mail to our Service Department, requesting a “Returned Material Authorization Number.” and instructions for return.**

### 6.2 Minimum Performance Standards

The following checks are provided for verifying the performance of the 1863 and 1864 Megohmmeters. The test equipment necessary to perform these checks is listed in Table 6.1. To check an instrument, proceed as follows:

(1-13: meter tracking check)

(14-19 voltage accuracy check)

1. Connect the case to the **GUARD** terminal with the shorting link.
2. Set the decade resistor to 0500000 (500 k $\Omega$ )
3. Set the **TEST VOLTAGE** switch to 100 on the 1863 or to 1-0-0V on the 1864.
4. Set the multiplier switch to **1 M**.

5. Set the **POWER/OFF** switch to **POWER**.
6. Adjust the two **SET**  $\infty$  controls as described in Section 3.
7. Connect the Decade Resistor to the **UNKNOWN** terminals with the dual banana plug patch cord.
8. Set the function switch to **MEASURE**.
9. Read the panel meter.  
The reading should be  $0.5 \pm 3\%$ , that is,  $\pm 2 (1 + \text{meter reading})\%$  or  $2 (1 + 0.5) = 3\%$ .
10. Set the decade resistor to 1,000,000 (1 M $\Omega$ ).  
The meter should read  $1 \pm 4\%$ .
11. Set the decade resistor to 5000000 (5 M $\Omega$ ).  
The meter should read  $5 \pm 12\%$ .
12. Set the **TEST VOLTAGE** switch to 50 on the 1863 or to 10 V on the 1864.
13. Set decades to 5,000,000 (5M $\Omega$ ) and the **MULTIPLIER** to 10M.  
The meter should read  $0.5 \pm 3\%$ .
14. Increase the voltage to the next higher step (100 on the 1863, 20 V on the 1864).  
The meter reading should remain at  $0.5 \pm 3\%$ .
15. Continue to increase the voltage settings and observe that the meter reading remains at  $0.5 \pm 3\%$ .

### NOTE

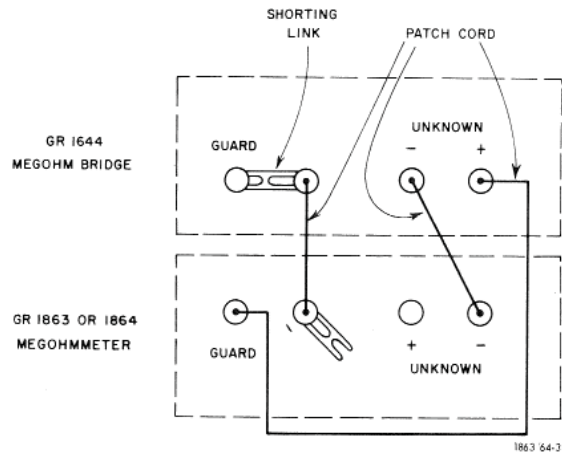
**When the light under the 1 M on the multiplier switch goes out, the switch must be rotated so that the 1 M on the adjacent scale is lighted.**

**Table 6-1**  
TEST EQUIPMENT

Name	Function	Recommended Equipment*
DECADE RESISTOR	Standard resistor ( $\pm 0.02\%$ ) for checking ranges (500 k $\Omega$ to 10 M $\Omega$ ).	GR 1433-H Decade Resistor (P/N 1433-9733)
MEGOHM BRIDGE	Bridge for measuring the standard resistors of the megohmmeter.	GR 1644 Megohm Bridge
PATCH CORD	Connects decade resistor to megohmmeter.	GR 274-NP Double-Plug Patch Cord, Right-Angle Plug, 36-in. long (P/N 0274-9980)
PATCH CORD	Connect megohm bridge to megohmmeter (3 required).	GR 274-LLB Single-Plug Patch Cord, black, 36-in. long (P/N 0274-9468)
EVM	Measurement of dc and ac voltages.	Data Precision 3400 Digital Voltmeter
SCREWDRIVER	No. 2 Phillips-head screwdriver for internal adjustments.	Xcelite Type X-102 Phillips Screwdriver

\*or equivalent

16. Set the **POWER/OFF** switch to **OFF** and disconnect the decade resistor.
17. Connect the Digital Multimeter between the **GUARD** and **-UNKNOWN** terminals with two single banana plug patch cords.
18. Connect the two ground terminals together with a third patch cord (Figure 6.1).  
The megohmmeter shorting link should remain attached only to the ground terminal.
18. Set the multiplier switch in the full ccw position (1M, 100k) and the function switch to **MEASURE**.
19. Measure the various standard resistors of the megohmmeter with the DMM according to the settings and tolerances of Table 6.2. Use the IET LOM-510A megohmmeter for resistance values beyond the range of the DMM.



*Figure 6-1. Connections for measuring standard resistors*

### 6.3 Cabinet Removal

To remove the instrument from the cabinet, remove the two screws on the rear of the instrument cabinet and pull the instrument out of the cabinet.



**Warning**



Be careful when troubleshooting the instrument when it is out of its cabinet and connected to the power line. Dangerous voltages are present, particularly at the transformer terminals. Connect the shorting link between the **GUARD** and ground terminals to keep the voltmeter circuitry near ground potential.

**Table 6-2**  
STANDARD RESISTOR MEASUREMENTS

Multiplier Switch Setting	Standard Resistor Value ( $\Omega$ )	Measurement Tolerance (%)
1M 100k	2 k	1
10M 1M	20 k	1
100M 10M	200 k	1
1G 100M	2 M	1
10G 1G	20 M	1
100G 10G	200 M	2
1T 100G	2 G <sup>†</sup>	2
10T* 1T	—	—

<sup>†</sup> This value only appears as a fixed resistor in the 1864. Since the value is determined by feedback multiplication of the 200-M $\Omega$  resistor in the 1863, no measurement should be made with the megohm bridge.

\*This range only appears on the 1864. Its range value is determined from the feedback multiplication of the 2-G  $\Omega$  resistor, therefore, no measurement should be made with the megohm bridge.

**Table 6-3**  
TYPE 1863 TEST VOLTAGES\*

Test Point (+)	Test Point (-)	Voltage (V)
CR105 Anode	Q101 Emitter	-17.4
Q101 Collector	Q101 Emitter	13.4
Q101 Base	Q101 Emitter	0.5
Q102 Base	Q101 Emitter	18.8
Q102 Emitter	Q101 Emitter	19.4
Q103 Base	Q101 Emitter	18.9
AT23	Guard	372
CR101 Cathode	Guard	744
CR102 Cathode	Guard	533
CR103 Cathode	Guard	372
CR104 Cathode	Guard	-0.3
CR201 Cathode	Guard	30.3
Q201 Collector	Guard	14.3
Q201 Base	Guard	0.6
AT6	Guard	8.9
AT10	Guard	8.4
Q202 Emitter	Guard	9.4
Q202 Collector	Guard	-6.2
Q203 Base	Guard	8.7
Q204 Case	Guard	0
Q204 Drain	Guard	8.7
Q204 Source	Guard	0.3
Q204 Gate	Guard	0

\* Voltages are dc and the values are typical. Set TEST VOLTAGE switch to 200, function switch to CHARGE, connect the shorting link between the ground terminal and GUARD, and set the multiplier switch to 1 M. Measurements made with 1863 line voltage set at 115 Vac.

### 6.4 Troubleshooting

The following information is designed to assist in troubleshooting the 1863 and 1864 Megohmmeters. An understanding of the theory involved in these instruments (Section 5) makes the instrument easy to analyze because the problem can usually be located quickly in either the voltage regulator or in the meter circuit.

If the instrument is completely inoperative, be sure to check the power-line connection and the fuse (located in the IEC power input assembly on the rear panel).

Tables 6.3 and 6.4 list a number of typical test voltages to assist in trouble analysis. Figures 6.2 through 6.5 and the diagrams of Section 7 will assist in locating components for testing purposes.

## 6.5 Calibration

The accuracy of the 1863 and 1864 depends on the accuracy of the range resistors, the accuracy of the applied voltages and the meter tracking accuracy. The over-all accuracy can be checked most easily by checking each one of these contributing quantities separately, for to check all points on all ranges at all voltages would require a tremendous number of measurements.

### 6.5.1 Meter Tracking

The scale tracking can be easily checked using a decade resistance decade box with 100-k $\Omega$  and 1-M $\Omega$  steps. Steps a through m of paragraph 6.2 should be performed to check the tracking. If all readings are corrected by the amount of the error found at a reading of 0.5 they should be better than the specification.

### 6.5.2 Voltage Accuracy

While the voltage can be checked to be within its specification, a more important check is to see that the voltage and meter sensitivity track to give a correct resistance reading. Such a check is generally adequate for it would be an unusual coincidence if both the voltage-control and meter-sensitivity resistors were in error, such that a good reading is obtained. To check this tracking, perform steps n through s of paragraph 6.2. If a reading is incorrect, the voltages should be checked with a DMM connected between the +UNKNOWN and -UNKNOWN terminals. The function switch can be set to either the **CHARGE** or **MEASURE** positions.

If all the voltages are out of tolerance in the same direction, they can be set within the tolerance by adjusting R140 located on etched-circuit board P/N 1864-2701 (common to both the 1863 and 1864 Meghommeters and shown in both Figures 6.2 and 6.4). The adjustment can be made as soon as the instrument is removed from the cabinet (paragraph 6.3). It

**Table 6-4**  
TYPE 1864 TEST VOLTAGES\*

Test Point (+)	Test Point (-)	Voltage (V)
AT15	Q101 Emitter	24.2
CR105 Anode	Q101 Emitter	-16.0
CR112 Anode	Q101 Emitter	17.9
Q101 Collector	Q101 Emitter	11.7
Q101 Base	Q101 Emitter	0.6
Q102 Base	Q101 Emitter	19.3
Q102 Emitter	Q101 Emitter	19.9
Q103 Base	Q101 Emitter	19.4
CR201 Cathode	AT5	35.7
Q202 Emitter	AT5	14.9
Q203 Base	AT5	14.3
CR104 Cathode	Guard	294
CR103 Cathode	Guard	590
CR102 Cathode	Guard	888
CR101 Cathode	Guard	1178
AT23	Guard	496
AT5	Guard	-5.0
Q201 Collector	Guard	15.4
Q201 Base	Guard	0.6
Q202 Emitter	Guard	10.0
Q204 Case	Guard	0
Q204 Drain	Guard	9.3
Q204 Source	Guard	0.8
Q204 Gate	Guard	0
AT6	Guard	9.6
AT10	Guard	9.1
CR201 Cathode	Guard	30.6
Q203 Base	Guard	9.3

\*Voltages are dc and the values are typical. Set the TEST VOLTAGE switch to 200, function switch to CHARGE, connect the shorting link between the ground terminal and GUARD, and set the multiplier switch to 1 M. Measurements made with a Data Precision 3400 Digital Voltmeter, with 1864 line voltage set at 115 Vac.

is not necessary to move either of the printed-circuit boards, since the adjustment is on the top printed-circuit board. This adjustment affects all voltages by the same amount, but adjustment at 200 V minimizes possible errors due to resistance tolerances.

If all the voltages are correct but all meter readings are in error in the same direction, the meter sensitivity can be reset. Adjust R243 (Figures 6-2 and 6-4), located on the same etched-circuit board as R 140, to correct the meter readings. This adjustment affects all measurements but on the 1863 is most sensitive at 200-V and 250-V and least sensitive at 100 V. In the 1864, it is most sensitive at the lower settings of the first digit of the test voltage adjustment, i.e. 100 V, 200 V, etc.



### 6.5.3 Range-Resistor Accuracy

The range resistors can be checked by performing steps t through w of paragraph 6.2.

### 6.5.4 Coarse $\infty$ Adjustment

If it is impossible to set the infinity controls on the front panel, set both controls at their center positions and adjust R244 (Figures 6-2 and 6-4), located on the etched-circuit board with R140, for a reading as close to  $\infty$  as possible. Make the final adjustments with the front-panel controls.

### 6.6 Knob Removal

If it should be necessary to remove the knob on a front-panel control, either to replace one that has been damaged or to replace the associated control, proceed as follows:

1. Grasp the knob firmly with the fingers, close into the panel (or the indicator dial, if applicable), and pull the knob straight away from the panel.



**CAUTION**

**Do not pull on the dial to remove a dial/knob assembly. Always remove the knob first. To avoid damage to the knob and other parts of the control, do not pry the knob loose with a screwdriver or similar flat tool, and do not attempt to twist the Knob from the dial.**

2. Observe the position of the setscrew in the bushing, with respect to any panel markings (or at the full ccw position of a continuous control).
3. Release the setscrew and pull the bushing off the shaft.
4. Remove and retain the black nylon thrust washer.

#### NOTE

To separate the bushing from the knob, if for any reason they should be combined off the instrument, drive a machine tap a turn or two into the bushing for a sufficient grip for easy separation.

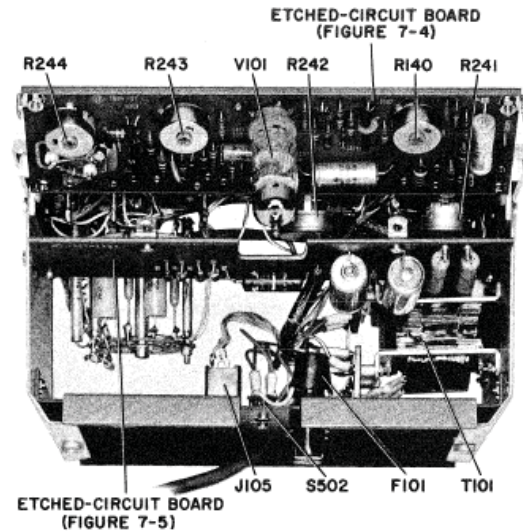


Figure 6-2. Top interior view of 1863 Megohmmeter

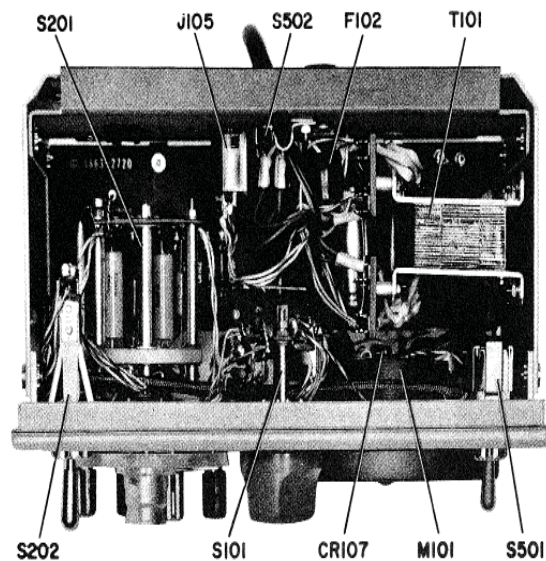


Figure 6-3. Bottom interior view of 1863 Megohmmeter

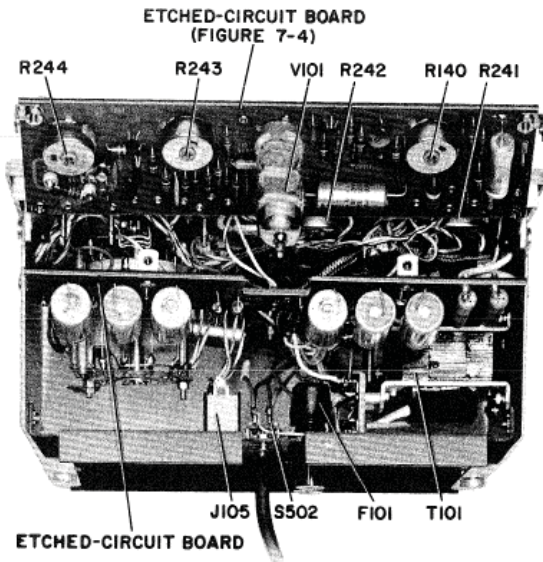


Figure 6-4. Top interior view of 1864 Megohmmeter

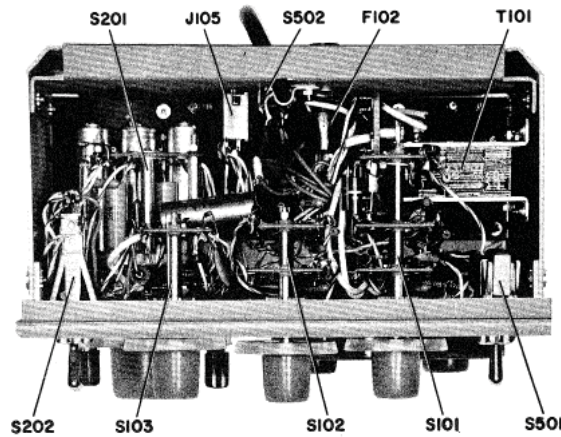


Figure 6-5. Bottom interior view of 1864 Megohmmeter

## 6.7 Knob Installation

To install a knob assembly on the control shaft:

1. Place the black nylon thrust washer over the control shaft, if appropriate.
2. Mount the bushing on the shaft, using a small slotted piece of wrapping paper as a shim for adequate panel clearance.
3. Orient the setscrew on the bushing with respect to the panel-marking index and lock the setscrew with the appropriate hex-socket key wrench.

### Caution

**Make sure that the end of the shaft does not protrude through the bushing or the knob won't bottom properly.**

4. Place the knob on the bushing with the retention spring opposite the setscrew.
5. Push the knob in until it bottoms and pull it slightly to check that the retention spring is seated in the groove in the bushing.
6. If the retention spring in the knob comes loose, reinstall it in the interior notch that has the thin slit in the side wall.

*It will not mount in the other notch.*

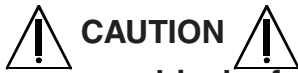
## 6.8 Meter Cover Care



The clear acrylic meter cover can become susceptible to electrostatic-charge buildup, and can be scratched if improperly cleaned.

It is treated inside and out in manufacturing with a special non-abrasive anti-static solution, Statnul\*, which normally should preclude any interference in meter operation caused by electrostatic effects. The problem is evidenced by the inability of the meter movement to return promptly to a zero reading, once it is deenergized. As supplied by IET, the meter should return to zero reading within 30 seconds, immediately following the placement of a static charge, as by rubbing the outside surface. This meets the requirements of ANSI standard C39.1-1972.

If static-charge problems occur, possibly as the result of frequent cleaning the window should be carefully polished with a soft dry cloth, such as cheesecloth or nylon chiffon. Then, a coating of Statnul should be applied with the polishing cloth.



**Do not use any kind of solvent.  
Tissues or paper towels can scratch  
the window surface.**

If it should be necessary to place limit marks on the meter window, paper-based masking tape is recommended, rather than any kind of marking pen, which could be abrasive or react chemically with the acrylic.

## NOTE

Electrical parts information in this section is presented in such a way that all the data for a part-numbered sub-assembly are visible together in the manual. Thus, the parts list appears on left-hand pages, while the part-location diagram (on the apron) and the schematic diagram (tip out) are on right-hand pages.

### REFERENCE DESIGNATOR ABBREVIATIONS

B = Motor	P = Plug
BT = Battery	Q = Transistor
C = Capacitor	R = Resistor
CR = Diode	S = Switch
DS = Lamp	T = Transformer
F = Fuse	U = Integrated Circuit
J = Jack	VR = Diode, Zener
K = Relay	X = Socket for Plug-In
KL = Relay Coil	Y = Crystal
KS = Relay Switch	Z = Network
L = Inductor	
M = Meter	
MK = Microphone	

This page intentionally left blank.

## Chapter 7

## PARTS LISTS AND DIAGRAMS

## ELECTRICAL PARTS LIST

## 1863 CHASSIS MOUNTED PARTS

REFDES	DESCRIPTION	PART NO.	FMC	MFGR	PART NUMBER
C 110	CAP MYLAR .047UF 10 PCT 600V	4860-8021	75042	663UW	.047 UF 10PCT
C 113	CAP CER DISC 6800PF 20PCT 1.4KV	4406-2689	72982	848-Z5U	6800PF20PCT
CR 106	RECT 1N4005 600PIV .75A SI A50A	6081-1003	14433	1N4005	
CR 107	RECT 1N4005 600PIV .75A SI A50A	6081-1003	14433	1N4005	
F 101	FUSE SLO-BLOW 1/8A 250V	5330-0450	75915	313	.125
F 102	FUSE SLO-BLOW 1/16A 250V	5330-0300	75915	313	.062
J 101	BINDING POST ASM	0938-3003	24655	0938-3003	
J 102	BINDING POST ASM	0938-3022	24655	0938-3022	
J 103	BINDING POST ASM	0938-3003	24655	0938-3003	
J 104	BINDING POST ASM	0938-3003	24655	0938-3003	
J 105	PHONE INS .281L 2 CKT	4260-1031	82389	N-111	
M 101	METER	5730-1412	24655	5730-1412	
P 101	LAMP FLANGE BASE 6V 0.2A 1000H	5600-0300	71744	CM-328	
P 102	LAMP FLANGE BASE 6V 0.2A 1000H	5600-0300	71744	CM-328	
P 103	LAMP FLANGE BASE 6V .04A 10000H	5600-0316	71744	CM-345	
PL 501	CORD 3WR 10A 120V US 7FT HAMMER	4200-1800	24655	4200-1800	
R 124	RES FLM 249K 1/2 PCT 1/4W	6351-3249	81349	RN60D2493D	
R 125	RES FLM 499K 1/2 PCT 1/4W	6351-3499	81349	RN60D4993D	
R 126	RES FLM 249K 1/2 PCT 1/4W	6351-3249	81349	RN60D2493D	
R 127	RES FLM 1.24M 1/2 PCT 1/2W	6451-4124	81349	RN65D1244D	
R 137	RES COMP 11 OHM 5PCT 1/2W	6100-0115	81349	RCR20G110J	
R 211	RES FLM 10.0K 1 PCT 1/8W	6250-2100	81349	RN55D1002F	
R 212	RES FLM 1.1K 1 PCT 1/8W	6250-1110	81349	RN55D1101F	
R 213	RES FLM 102K 1 PCT 1/8W	6250-3102	81349	RN55D1023F	
R 214	RES FLM 2K 1/2PCT 1/8W	6251-1200	81349	RN55D2001D	
R 215	RES FLM 20K 1 PCT 1/2W	6450-2200	81349	RN65D2002F	
R 216	RES FLM 200K 1 PCT 1W	6550-3200	81349	RN75D2003F	
R 217	RES FLM 2M 1 PCT 1/2W	6450-4200	81349	RN65D2004F	
R 218	RES FLM 20M 1 PCT 1W	6550-5200	81349	RN75D2005F	
R 219	RES FLM 200M 1PCT 100PPM 1W	6619-3407	24655	6619-3407	
R 221	RES FLM 1K 1 PCT 1/8W	6250-1100	81349	RN55D1001F	
R 222	RES FLM 4.99K 1 PCT 1/8W	6250-1499	81349	RN55D4991F	
R 223	RES FLM 10.0K 1 PCT 1/8W	6250-2100	81349	RN55D1002F	
R 224	RES COMP 240 K OHM 5PCT 1/4W	6099-4245	81349	RCR07G244J	
R 241	POT COMP KNOB 100 OHM 10 PCT LIN	6000-0050	01121	JAIN056S101UZ	
R 242	POT COMP KNOB 2.5K OHM 10PCT LIN	6000-0400	01121	JAIN056S252UZ	
R 245	RES WW AX LEAD 5.1K OHM 5PCT 3W	6680-2515	75042	AS-2 5.1 K 5PCT	
S 101	SWITCH ROTARY ASM	7890-5390	24655	7890-5390	
S 201	SWITCH ROTARY ASM	7890-5400	24655	7890-5400	
S 202	SWITCH ASM	1864-1400	24655	1864-1400	
S 501	SWITCH TOGGLE 2POS DPST STEADY	7910-1300	04009	83053	
S 502	SWITCH SLIDE 2 POS DPDT STEADY	7910-0832	82389	11A-1266	
T 101	TRANSFORMER POWER	0345-4029	24655	0345-4029	

ELECTRICAL PARTS LIST

1804 CHASSIS MOUNTED PARTS

REFDES	DESCRIPTION	PART NO.	FMC	MFGR	PART NUMBER
C 110	CAP MYLAR .047UF 10 PCT 1000V	4860-8255	75042	663UW	.047 UF 10PCT
C 111	CAP CER SQ .10UF 80/20PCT 100V	4403-4100	72982	8131M	100651104Z
C 113	CAP CER DISC 6800PF 20PCT 1.4KV	4406-2689	72982	848-Z5U	68J0PF20PCT
CR 106	RECT 1N4005 600PIV .75A SI A50A	6081-1003	14433	1N4005	
CR 107	RECT 1N4005 600PIV .75A SI A50A	6081-1003	14433	1N4005	
CR 108	DIODE RECTIFIER 1N4003	6081-1001	14433	1N4003	
F 101	FUSE SLO-BLOW 1/8A 250V	5330-0450	75915	313	.125
F 102	FUSE SLO-BLOW 1/16A 250V	5330-0300	75915	313	.062
J 101	BINDING POST ASM	0938-3003	24655	0938-3003	
J 102	BINDING POST ASM	0938-3022	24655	0938-3022	
J 103	BINDING POST ASM	0938-3003	24655	0938-3003	
J 104	BINDING POST ASM	0938-3003	24655	0938-3003	
J 105	PHONE INS .281L 2 CKT	4260-1031	82389	N-111	
M 101	METER	5730-1412	24655	5730-1412	
P 101	LAMP FLANGE BASE 6V 0.2A 1000H	5600-0300	71744	CM-328	
P 102	LAMP FLANGE BASE 6V 0.2A 1000H	5600-0300	71744	CM-328	
P 103	LAMP FLANGE BASE 6V .04A 10000H	5600-0316	71744	CM-345	
PL 501	CORD 3WR 10A 120V US 7FT HAMMER	4200-1800	24655	4200-1800	
R 109	RES COMP 62 K 5PCT 1W	6110-3625	81349	RCR32G623J	
R 110	RES COMP 68 K 5PCT 1W	6110-3685	81349	RCR32G683J	
R 111	RES COMP 270 K 5PCT 1W	6110-4275	81349	RCR32G274J	
R 112	RES COMP 120 K 5PCT 1/2W	6100-4125	81349	RCR20G124J	
R 113	RES COMP 390 K 5PCT 1/2W	6100-4395	81349	RCR20G394J	
R 114	RES COMP 1.2 M 5PCT 1/2W	6100-5125	81349	RCR20G125J	
R 115	RES COMP 39 K 5PCT 1W	6110-3395	81349	RCR32G393J	
R 116	RES COMP 47 K 5PCT 2W	6120-3475	81349	RCR42G473J	
R 124	RES FLM 226K 1/2PCT 1/8W	6251-3226	81349	RN5502263D	
R 125	RES COMP 30 K OHM 5PCT 1/2W D	6100-3305	81349	RCR20G303J	
R 126	RES FLM 499K 1/2 PCT 1/4W	6351-3499	81349	RN60D4993D	
R 127	RES FLM 1M 1/2 PCT 1/2W	6451-4100	81349	RN65D1004D	
R 128	RES FLM 2M 1/2 PCT 1/2W	6451-4200	81349	RN65D2004D	
R 129	RES FLM 2M 1/2 PCT 1/2W	6451-4200	81349	RN65D2004D	
R 130	RES FLM 49.9K 1/2 PCT 1/4W	6351-2499	81349	RN60D4992D	
R 131	RES FLM 100K 1 PCT 1/4W	6350-3100	81349	RN60D1003F	
R 132	RES FLM 200K 1 PCT 1/4W	6350-3200	81349	RN60D2003F	
R 133	RES FLM 200K 1 PCT 1/4W	6350-3200	81349	RN60D2003F	
R 137	RES COMP 11 OHM 5PCT 1/2W D	6100-0115	81349	RCR20G110J	
R 141	RES COMP 30 K OHM 5PCT 1/4W D	6099-3305	81349	RCR07G303J	
R 211	RES FLM 100K 1 PCT 1/8W	6250-3100	81349	RN55D1003F	
R 212	RES FLM 11K 1 PCT 1/8W	6250-2110	81349	RN55D1102F	
R 213	RES FLM 1.02M 1 PCT 1/2W	6450-4102	81349	RN65D1024F	
R 214	RES FLM 2K 1/2PCT 1/8W	6251-1200	81349	RN55D2001D	
R 215	RES FLM 20K 1 PCT 1/2W	6450-2200	81349	RN65D2002F	
R 216	RES FLM 200K 1 PCT 1W	6550-3200	81349	RN75D2003F	
R 217	RES FLM 2M 1 PCT 1/2W	6450-4200	81349	RN65D2004F	
R 218	RES FLM 20M 1 PCT 1W	6550-5200	81349	RN75D2005F	
R 219	RES FLM 200M 1PCT 100PPM 1W	6619-3407	24655	6619-3407	
R 220	RES FILM CARBON 2G OHM 1 PCT	6740-1504	63060	RX-1	
R 221	RES FLM 1.91K 1/2 PCT 1/4W	6351-1191	81349	RN60D1911D	
R 222	RES FLM 3.83K 1/2 PCT 1/4W	6351-1383	81349	RN60D3831D	
R 223	RES FLM 7.68K 1/2 PCT 1/4W	6351-1768	81349	RN60D7681D	
R 224	RES FLM 7.68K 1/2 PCT 1/4W	6351-1768	81349	RN60D7681D	
R 225	RES FLM 200 OHM 1 PCT 1/4W	6350-0200	81349	RN60D2000F	
R 226	RES FLM 402 OHM 1 PCT 1/8W	6250-0402	81349	RN55D0402F	
R 227	RES FLM 806 OHM 1 PCT 1/4W	6350-0806	81349	RN60D8060F	
R 228	RES FLM 806 OHM 1 PCT 1/4W	6350-0806	81349	RN60D8060F	
R 241	POT COMP KNOB 1K OHM 10 PCT LIN	6000-0300	01121	JAIN0565102UZ	
R 242	POT COMP KNOB 2.5K OHM 10PCT LIN	6000-0400	01121	JAIN0565252UZ	
R 245	RES WW AX LEAD 5.1K OHM 5PCT 3W	6680-2515	75042	AS-2 5.1 K 5PCT	
S 101	SWITCH ROTARY ASM	7890-5350	24655	7890-5350	
S 102	SWITCH ROTARY ASM	7890-5360	24655	7890-5360	
S 103	SWITCH ROTARY ASM	7890-5370	24655	7890-5370	
S 201	SWITCH ROTARY ASM	7890-5380	24655	7890-5380	
S 202	SWITCH ASM	1864-0400	24655	1864-0400	
S 501	SWITCH TOGGLE 2POS DPST STEADY	7910-1300	04009	83053	
S 502	SWITCH SLIDE 2 POS DPDT STEADY S	7910-0832	82389	11A-1266	
T 101	TRANSFORMER POWER	0345-4028	24655	0345-4028	

## ELECTRICAL PARTS LIST

		REGULATOR & AMPLIFIER PC BOARD		P/N 1864-2701		
REFDES		DESCRIPTION	PART NO.	FMC	MFGR	PART NUMBER
C 107		CAP ALUM 30 UF 75V	4450-6173	56289		43D300G075
C 108		CAP CER DISC .01UF 80/20PCT 100V	4401-3100	72982		080554025U00103Z
C 109		CAP CER DISC 100PF 5PCT 500V	4404-1105	72982		083108225D00101J
C 201		CAP ALUM 30 UF 75V	4450-6173	56289		43D300G075
C 202		CAP CER DISC .01UF 80/20PCT 100V	4401-3100	72982		080554025U00103Z
C 203		CAP MICA 100PF 10PCT 500V	4620-1000	81349		CM15FD101K
CR 105		DIODE RECTIFIER 1N4003	6081-1001	14433		1N4003
CR 111		ZENER 1N5708 24V 5PCT .4W	6083-1054	14433		1N9708
CR 112		ZENER 1N753A 6.2V 5PCT .4W	6083-1006	14433		1N753A
CR 201		DIODE RECTIFIER 1N4003	6081-1001	14433		1N4003
CR 211		ZENER 1N568B 20V 5PCT .4W	6083-1018	14433		1N968B
CR 212		ZENER 1N565B 15V 5PCT .4W	6083-1015	14433		1N965B
Q 101		TRANSISTOR 2N3903	8210-1132	04713		2N3903
Q 102		TRANSISTOR 2N4250	8210-1294	07263		2N4250
Q 103		TRANSISTOR 2N4250	8210-1294	07263		2N4250
Q 201		TRANSISTOR 2N3903	8210-1132	04713		2N3903
Q 202		TRANSISTOR 2N3905	8210-1114	04713		2N3905
Q 203		TRANSISTOR 2N3905	8210-1114	04713		2N3905
Q 204		TRANSISTOR(STATIC PROTECT REQ)	8210-1143	04713		2N4220
Q 205		TRANSISTOR MPS-A14	8210-1246	04713		MPS-A14
Q 206		TRANSISTOR 2N3414	8210-1290	56289		2N3414
R 107		RES COMP 2.0 K OHM 5PCT 1/2W	6100-2205	81349		RCR20G202J
R 108		RES CCMP 1.0 K 5PCT 1/2W	6100-2105	81349		RCR20G102J
R 117		RES COMP 220 OHM 5PCT 1/2W	6100-1225	81349		RCR20G221J
R 118		RES COMP 200 K OHM 5PCT 1/2W	6100-4205	81349		RCR20G204J
R 119		RES CCMP 12 K 5PCT 1/2W	6100-3125	81349		RCR20G123J
R 120		RES COMP 8.2 K 5PCT 1/2W	6100-2825	81349		RCR20G822J
R 121		RES CCMP 10 K 5PCT 1/2W	6100-3105	81349		RCR20G103J
R 122		RES COMP 10 K 5PCT 1/2W	6100-3105	81349		RCR20G103J
R 123		RES FLM 24.9K 1/2PCT 1/8W	6251-2249	81349		RN55D2492D
R 134		RES CCMP 68 K 5PCT 1/2W	6100-3685	81349		RCR20G683J
R 135		RES CCMP 16 K OHM 5PCT 1/2W	6100-3165	81349		RCR20G163J
R 138		RES CCMP 22 K 5PCT 1/2W	6100-3225	81349		RCR20G223J
R 139		RES FLM 200K 1 PCT 1/4W	6350-3200	81349		RN60D2003F
R 140		POT WW TRM 5K OHM 10 PCT 1T	6056-0142	24655		6056-0142
R 201		RES CCMP 1.2 K 5PCT 1/2W	6100-2125	81349		RCR20G122J
R 202		RES CCMP 2.7 K 5PCT 1/2W	6100-2275	81349		RCR20G272J
R 203		RES COMP 27 K 5PCT 1/2W	6100-3275	81349		RCR20G273J
R 204		RES CCMP 43 K OHM 5PCT 1/2W	6100-3435	81349		RCR20G433J
R 205		RES COMP 3.3 K 5PCT 1/2W	6100-2335	81349		RCR20G332J
R 206		RES COMP 10 K 5PCT 1/2W	6100-3105	81349		RCR20G103J
R 207		RES CCMP 24 K OHM 5PCT 1/2W	6100-3245	81349		RCR20G243J
R 208		RES COMP 20 K OHM 5PCT 1/2W	6100-3205	81349		RCR20G203J
R 209		RES CCMP 47 M 5PCT 1/2W	6100-6475	81349		RCR20G476J
R 210		RES CCMP 47 M 5PCT 1/2W	6100-6475	81349		RCR20G476J
R 229		RES COMP 1.2 K 5PCT 1/2W	6100-2125	81349		RCR20G122J
R 230		RES CCMP 100 K 5PCT 1/2W	6100-4105	81349		RCR20G104J
R 231		RES CCMP 1.0 M 5PCT 1/2W	6100-5105	81349		RCR20G105J
R 232		RES COMP 10 M 5PCT 1/2W	6100-6105	81349		RCR20G106J
R 234		RES CCMP 10 K 5PCT 1/4W	6099-3105	81349		RCR07G103J
R 235		RES COMP 100 OHM 5PCT 1/4W	6099-1105	81349		RCR07G101J
R 236		RES CCMP 2.4 M OHM 5PCT 1/2W	6100-5245	81349		RCR20G245J
R 237		RES CCMP 2.4 M OHM 5PCT 1/2W	6100-5245	81349		RCR20G245J
R 238		RES COMP 2.4 M OHM 5PCT 1/2W	6100-5245	81349		RCR20G245J
R 239		RES CCMP 2.4 M OHM 5PCT 1/2W	6100-5245	81349		RCR20G245J
R 243		POT WW TRM 500 OHM 10 PCT 1T	6056-0136	24655		6056-0136
R 244		POT WW TRM 5K OHM 10 PCT 1T	6056-0142	24655		6056-0142
V 101		TUBE VACUUM 6AB4	8360-0100	79089		6AB4

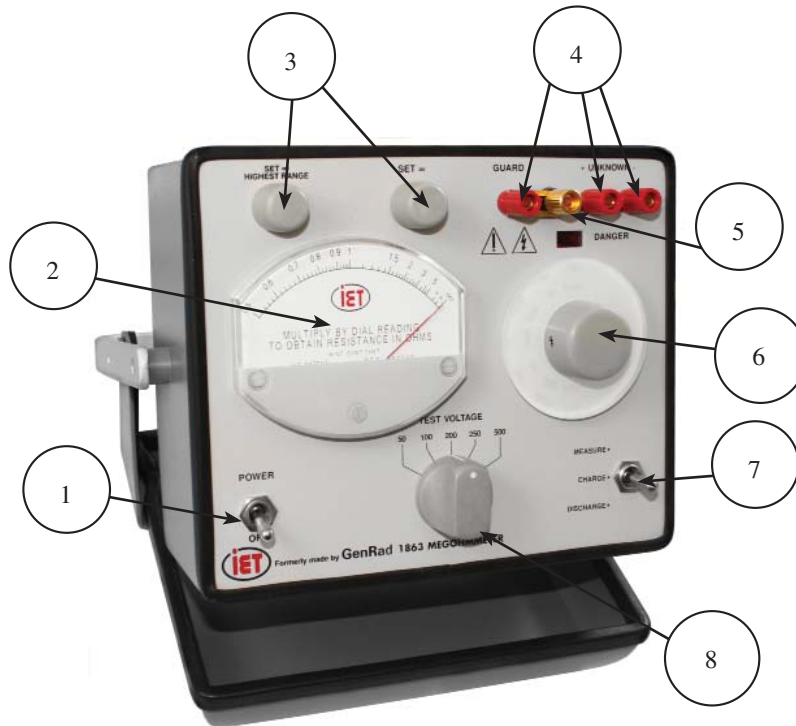


Figure 7-1. Replaceable mechanical parts on the 1863

### Replaceable parts list for the 1863

Model Ref	IET Pt No	Description
1	7910-1300-02	Power switch
2	5730-1412-01	Meter assembly
3	5520-5220-AS	Knob assembly for 1863/64 potentiometers
4	3770-2	Red binding post
5	01-1008-1-0310	Gold binding post
6	1863-1200	Dial assembly for 1863 resistance range
7	1864-0400	Measure-Charge-Discharge switch
8	5500-5421	Test voltage knob assembly



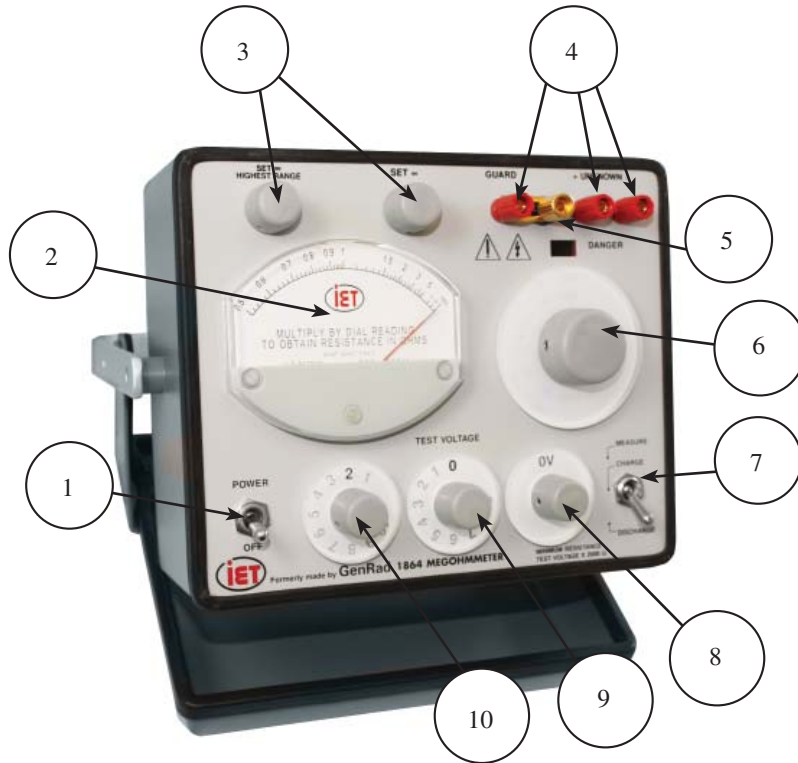
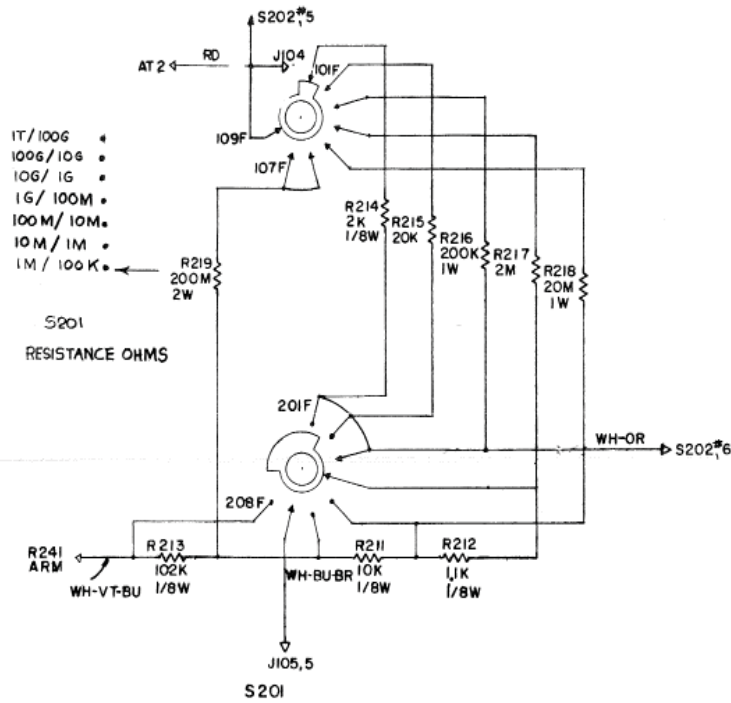


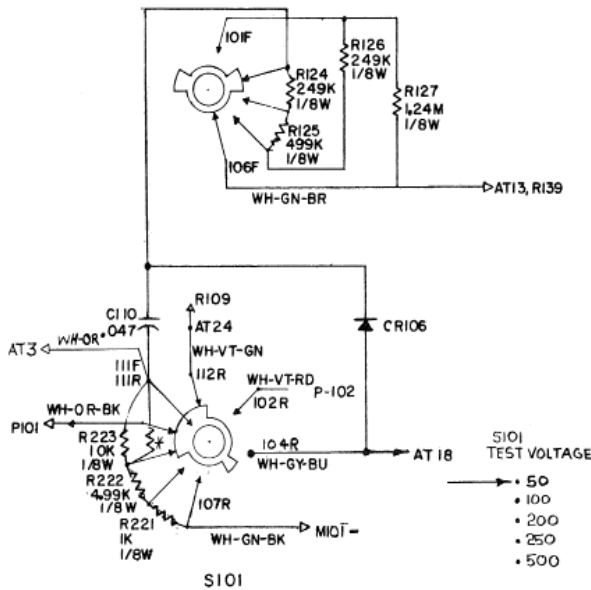
Figure 7-2. Replaceable mechanical parts on the 1864

**Replaceable parts list for the 1864**

Model Ref	IET Pt No	Description
1	7910-1300-02	Power switch
2	5730-1412-01	Meter assembly
3	5520-5220-AS	Knob assembly for 1863/64 potentiometers
4	3770-2	Red binding post
5	01-1008-1-0310	Gold binding post
6	1864-1200	Dial assembly
7	1864-0400	Measure-Charge-Discharge switch
8	1864-1220	Dial assembly for 1864 voltage range
9	1864-1230	Dial assembly for 1864 voltage setting B
10	1864-1210	Dial assembly for 1864 voltage setting A



Rotary switch sections are shown as viewed from the panel end of the shaft. The first digit of the contact number refers to the section. The section nearest the panel is 1, the next section back is 2, etc. The next two digits refer to the contact. Contact 01 is the first position clockwise from a strut screw (usually the screw above the locating key), and the other contacts are numbered sequentially (02, 03, 04, etc), proceeding clockwise around the section. A suffix F or R indicates that the contact is on the front or rear of the section, respectively.



NOTE: R224, 240 kΩ nominal added across R223.

Figure 7-3. Type 1863 switching diagram

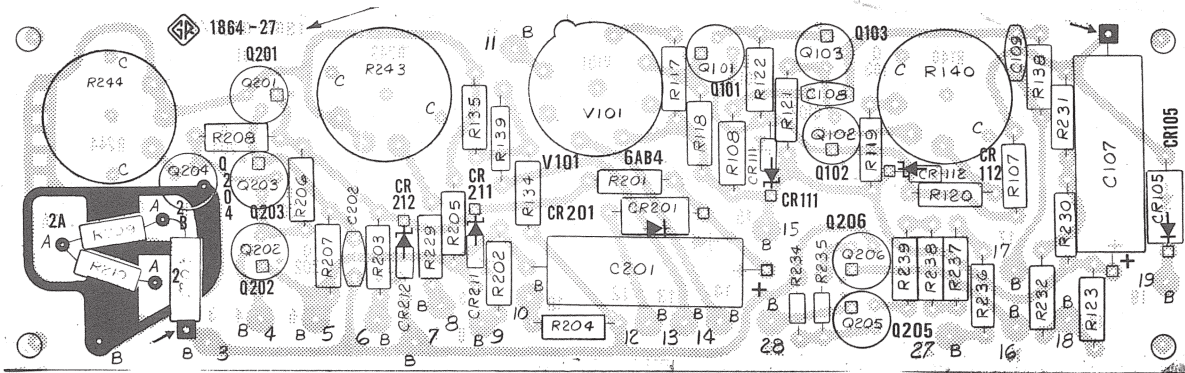


Figure 7-4. Regulator and amplifier circuits etched-board assembly for 1863 and 1864

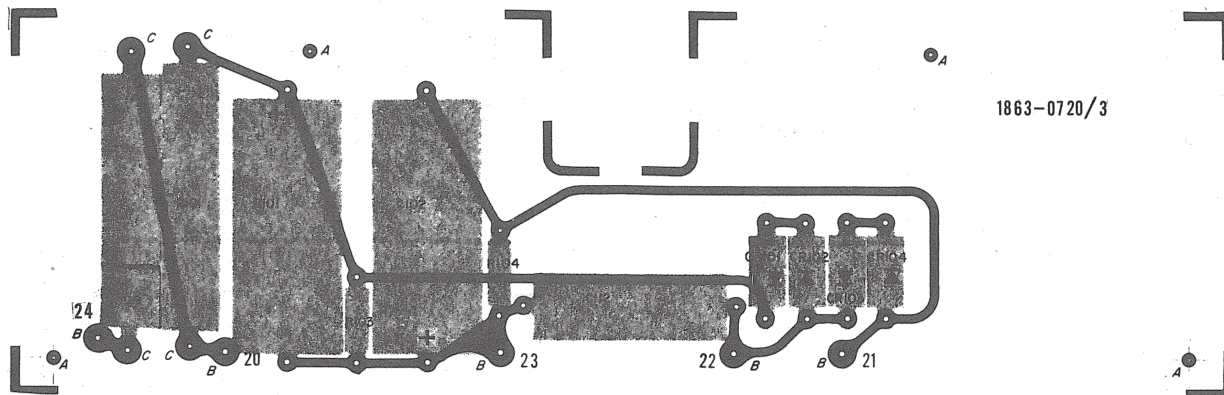


Figure 7-5. Type 1863 rectifier circuit etched-board assembly (P/N 1863-2720)

ELECTRICAL PARTS LIST

RECTIFIER PC BOARD		P/N 1863-2720				
REFDES	DESCRIPTION	PART NO.	FMC	MFGR	PART NUMBER	
C 101	CAP ALUM 10UF 475V	4450-6175	90201	TCG	10UF 475V	
C 102	CAP ALUM 10UF 475V	4450-6175	90201	TCG	10UF 475V	
C 112	CAP PAPER .0047UF 10PCT 600V U	4510-4300	56289		416P47296	
CR 101	RECT 1N4005 600PIV .75A SI A50A	6081-1003	14433		1N4005	
CR 102	RECT 1N4005 600PIV .75A SI A50A	6081-1003	14433		1N4005	
CR 103	RECT 1N4005 600PIV .75A SI A50A	6081-1003	14433		1N4005	
CR 104	RECT 1N4005 600PIV .75A SI A50A	6081-1003	14433		1N4005	
R 101	RES FLM 100 K 5PCT 7W	6228-4105	14674		FP-5 100 K 5PCT	
R 103	RES COMP 2.2 M 5PCT 1/2W	6100-5225	81349		RCR20G225J	
R 104	RES COMP 2.2 M 5PCT 1/2W	6100-5225	81349		RCR20G225J	
R 109	RES FLM 100 K 5PCT 7W	6228-4105	14674		FP-5 100 K 5PCT	

- ANCHOR TERMINALS USED AT 1, 2, 2A, 2B, 3 THRU 26
- NOTE UNLESS SPECIFIED
1. POSITION OF ROTARY SWITCHES
  2. CONTACT COMBINATION OF SWITCHES
  3. CAPACITANCE VALUES ONE AND TWO IN MICROFARADS
  4. SUPPLIED IN INSTRUCTION SHEET
  5. APPEARING ON DIAGRAM
  6. APPEARING ON DIAGRAM
  7. ACTION BOX FOR VOLTAGES
  8. AT - ANCHOR TERMINAL
  9. TEST POINT
  10. TEST POINT

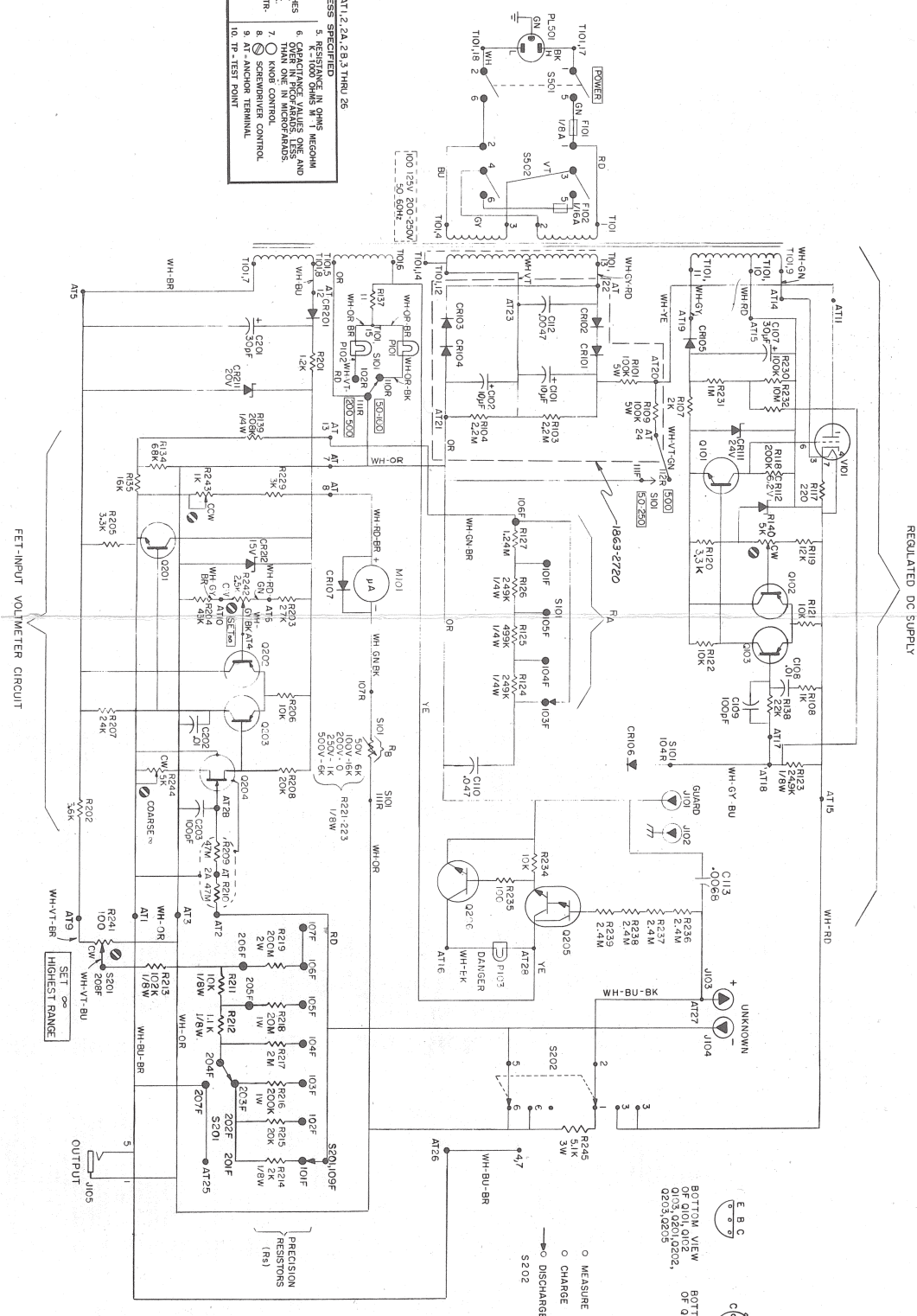
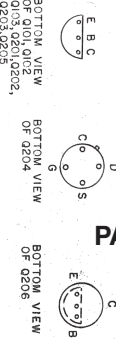


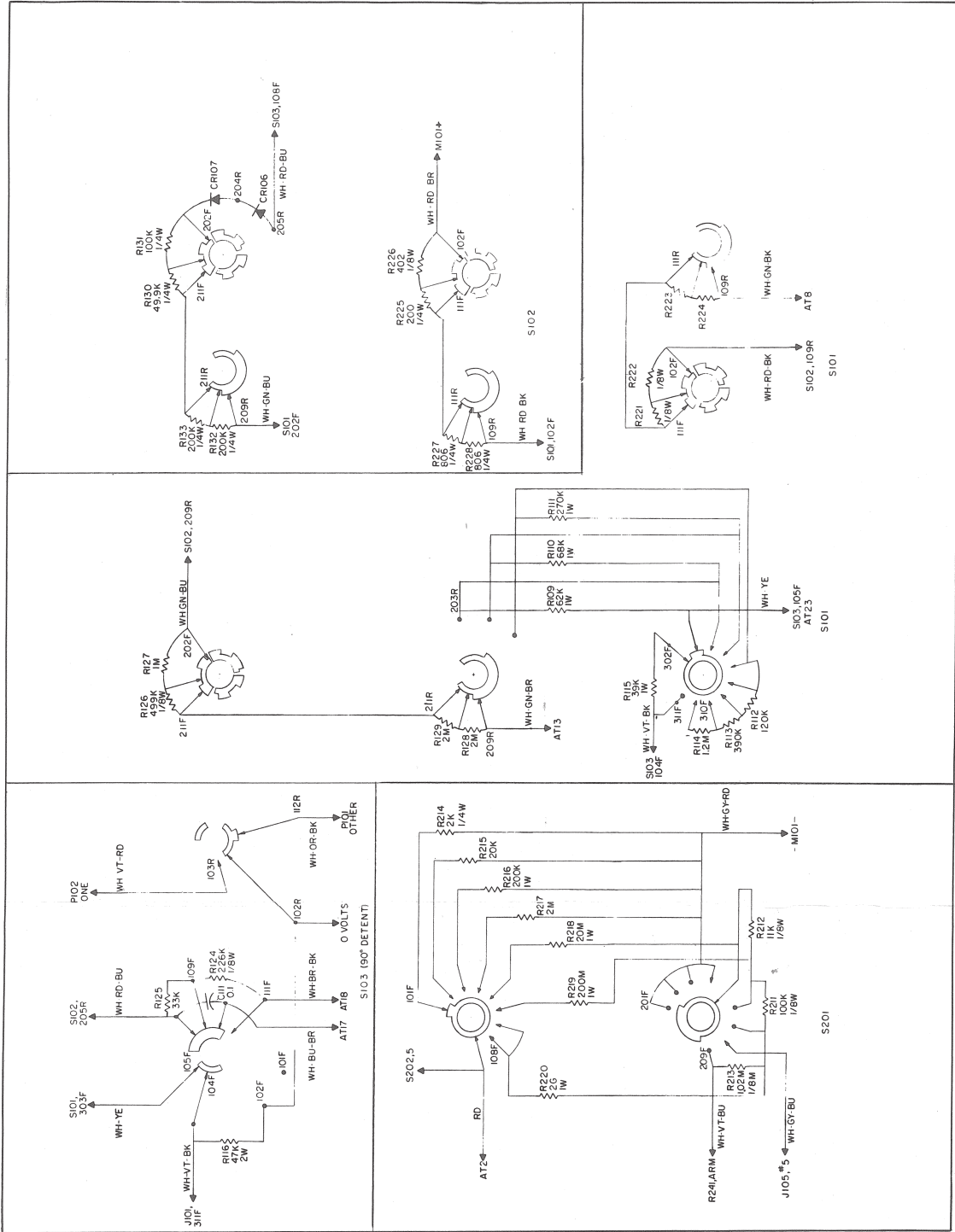
Figure 7-6. Type 1863 schematic diagram

PARTS LISTS AND DIAGRAMS



- MEASURE
- CHARGE
- DISCHARGE
- S 202

PARTS LISTS AND DIAGRAMS



Rotary switch sections are shown as viewed from the panel end of the shaft. The first digit of the contact number refers to the section. The section nearest the panel is 1, the next section back is 2, etc. The next two digits refer to the contact. Contact 01 is the first position clockwise from a strut screw (usually the screw above the locating key), and the other contacts are numbered sequentially (02, 03, 04, etc), proceeding clockwise around the section. A suffix F or R indicates that the contact is on the front or rear of the section, respectively.

Figure 7-7. Type 1864 switching diagram

### ELECTRICAL PARTS LIST

RECTIFIER PC BOARD      P/N 1864-2720

REFDES	DESCRIPTION	PART NO.	FMC	MFGR	PART NUMBER
C 101	CAP ALUM 10UF 475V	4450-6175	90201	TCG	10UF 475V
C 102	CAP ALUM 10UF 475V	4450-6175	90201	TCG	10UF 475V
C 103	CAP ALUM 10UF 475V	4450-6175	90201	TCG	10UF 475V
C 104	CAP ALUM 10UF 475V	4450-6175	90201	TCG	10UF 475V
C 105	CAP ALUM 10UF 475V	4450-6175	90201	TCG	10UF 475V
C 106	CAP ALUM 10UF 475V	4450-6175	90201	TCG	10UF 475V
C 112	CAP PAPER .0047UF 10PCT 600V U	4510-4300	56289		416P47296
CR 101	RECT 1N4006 800PIV .5A SI A50A	6081-1004	14433		1N4006
CR 102	RECT 1N4006 800PIV .5A SI A50A	6081-1004	14433		1N4006
CR 103	RECT 1N4006 800PIV .5A SI A50A	6081-1004	14433		1N4006
CR 104	RECT 1N4006 800PIV .5A SI A50A	6081-1004	14433		1N4006
R 101	RES FLM 100 K 5PCT 7W	6228-4105	14674		FP-5 100 K 5PCT
R 102	RES FLM 100 K 5PCT 7W	6228-4105	14674		FP-5 100 K 5PCT
R 103	RES COMP 470 K 5PCT 1/2W	6100-4475	81349		RCR20G474J
R 104	RES COMP 470 K 5PCT 1/2W	6100-4475	81349		RCR20G474J
R 105	RES COMP 470 K 5PCT 1/2W	6100-4475	81349		RCR20G474J
R 106	RES COMP 470 K 5PCT 1/2W	6100-4475	81349		RCR20G474J

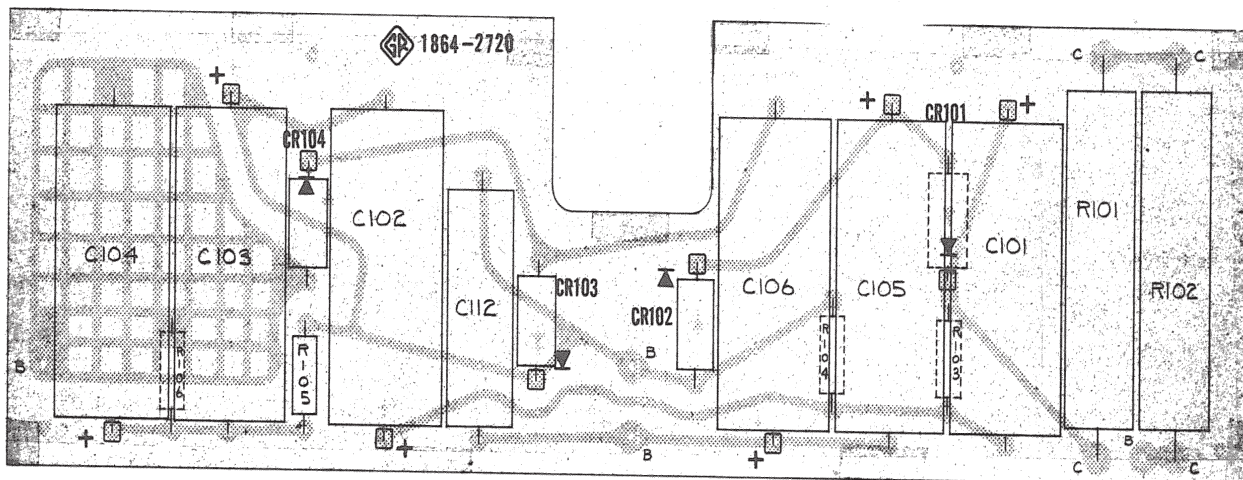


Figure 7-8. Type 1864 rectifier circuit etched-board assembly (P/N 1864-2720)

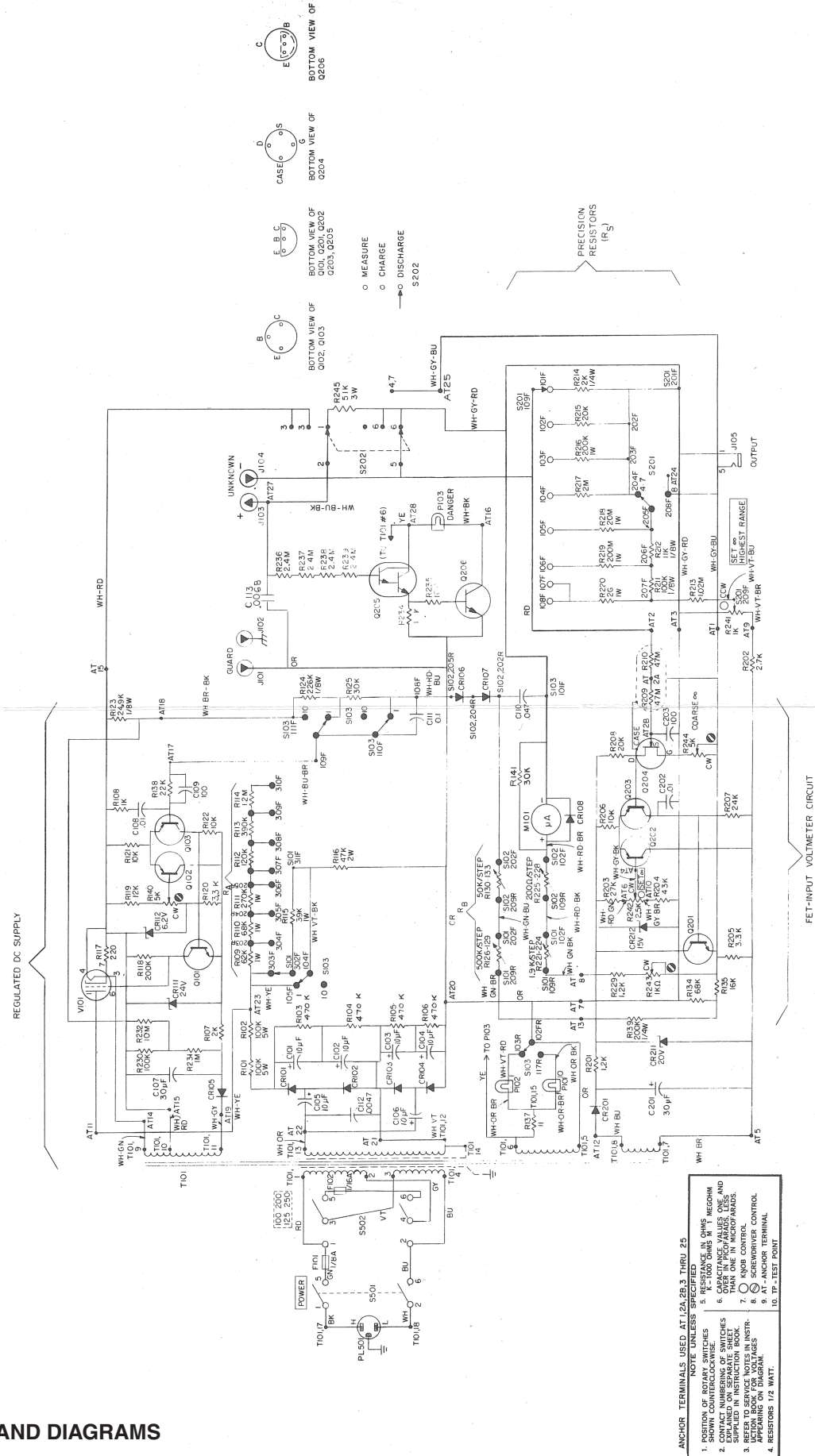


Figure 7-9. Type 1864 schematic diagram

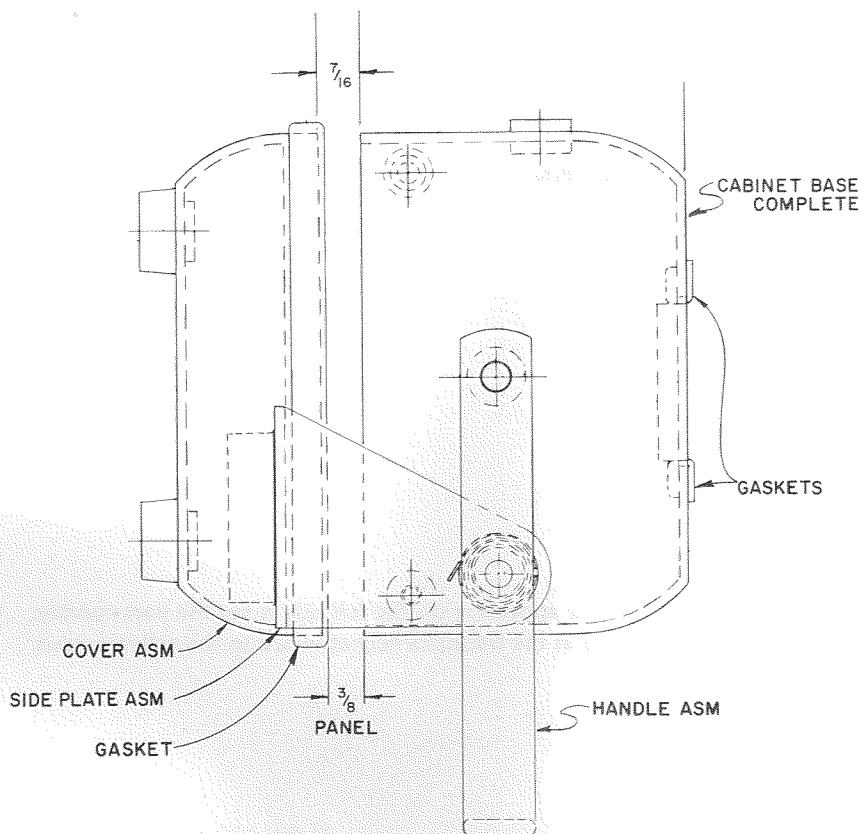
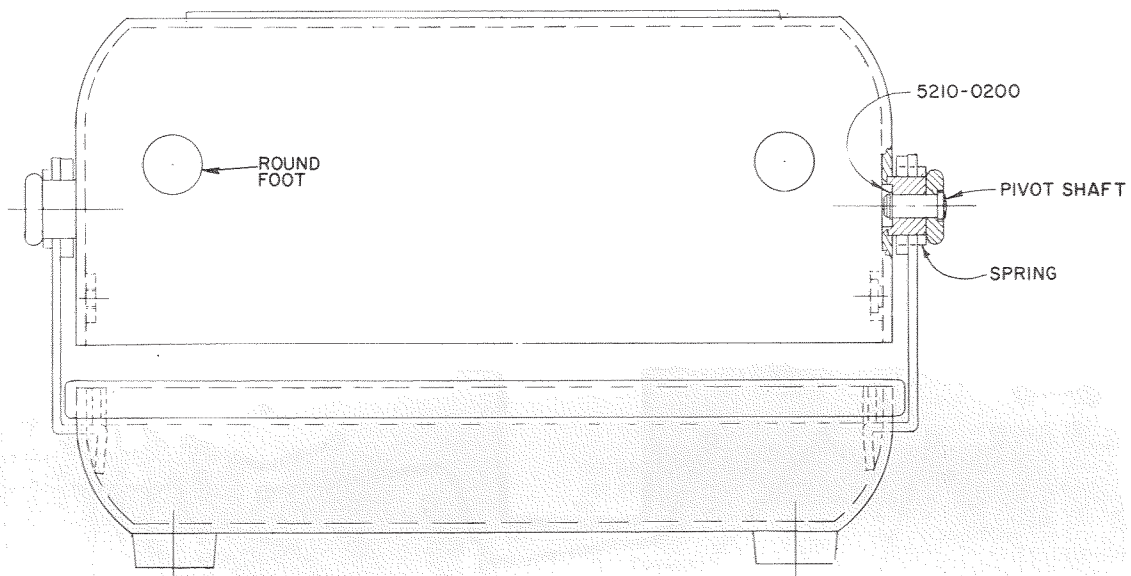


Figure 7-10. Complete cabinet assembly (P/N 4182-2328)



<i>Name</i>	<i>GR Part Number</i>
Cabinet Base Complete	4182-1328
Cover Assembly	4182-1425
Handle Assembly	4182-1503
Gasket, base (2 required)	5168-3620
Gasket, cover	5168-3605
Foot, round (2 required)	5260-2051
Foot, square (4 required)	5260-2060
Hub Insert	4182-6010
Side Plate Assembly*	
Left	4182-1455
Right	4182-1475
Washer rubber* (2 required)	8030-1642
Spring*	4182-8000
Pivot Shaft* (2 required)	4182-6000
External Fastener Ring* (2 required)	5210-0200

\*Part of Hardware Set 4182-3010.

