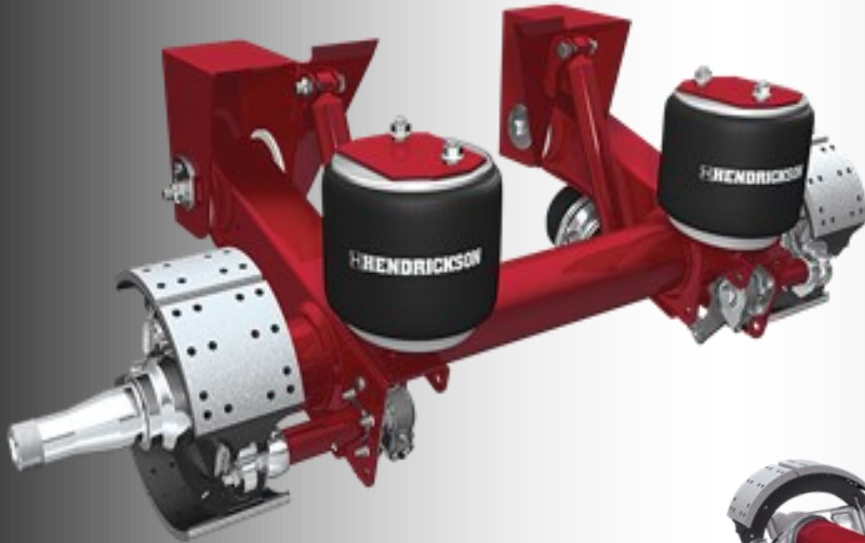


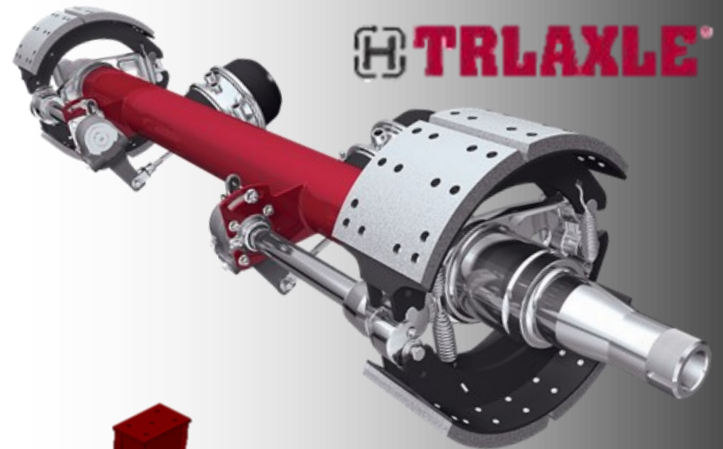
*First In Aluminum Trailers*



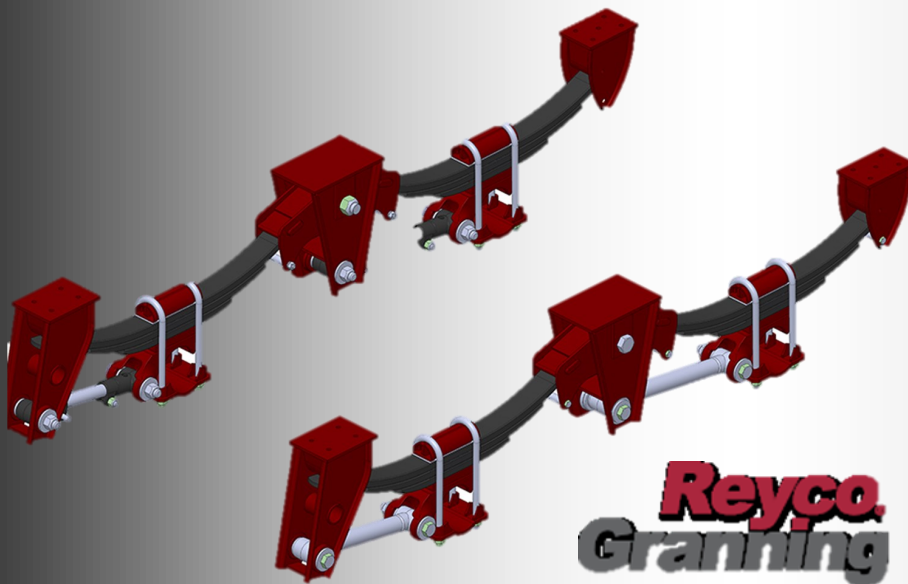
**SUSPENSION PARTS CATALOG**



**H INTRAAX®**



**H TRILAXLE®**



**Reyco  
Granning**

**Revised May 2022**



# ***SUSPENSION PARTS CATALOG***

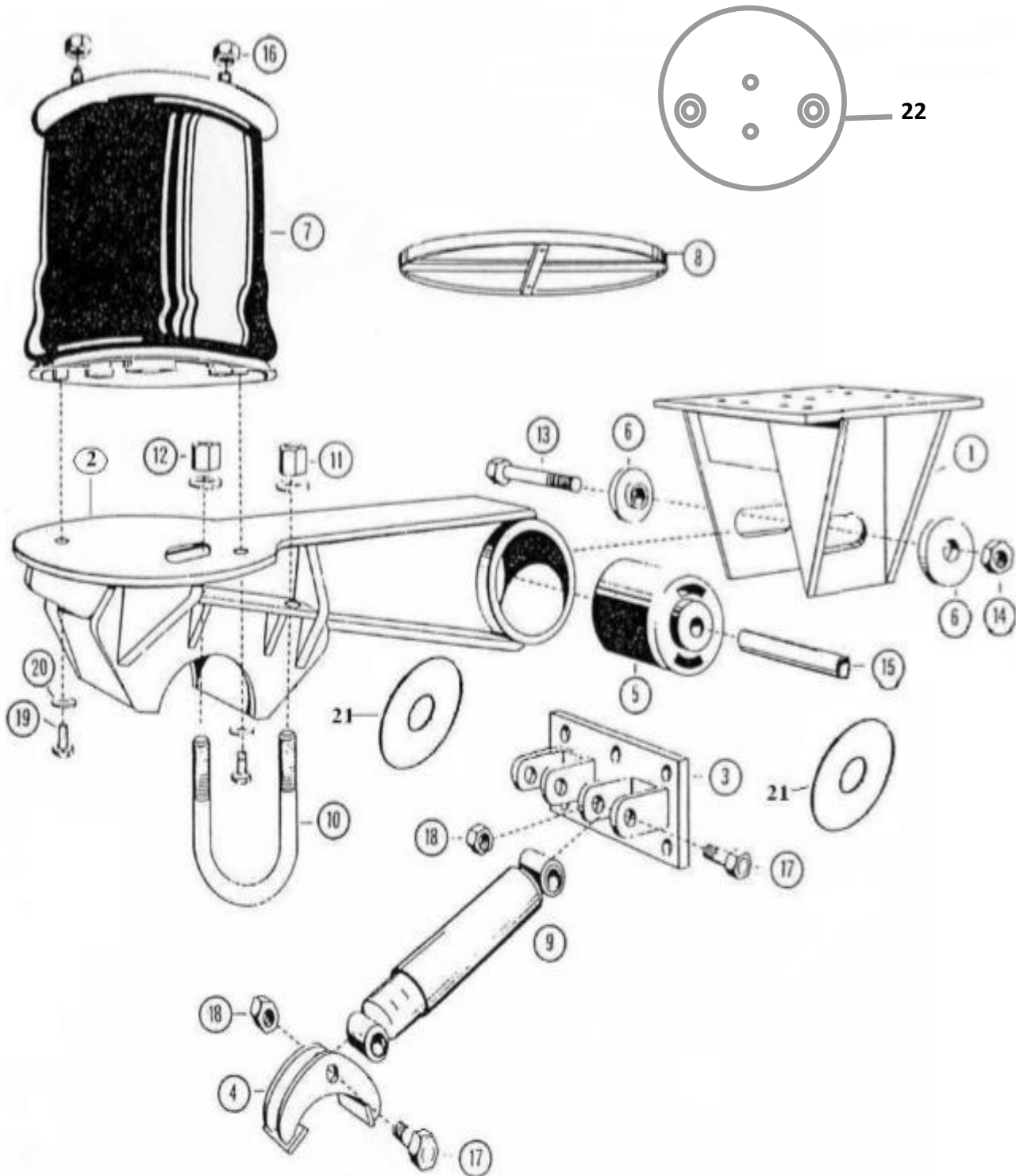
## ***Table of Contents***

<b>ITEM</b>	<b>PAGE NUMBER</b>
HENDRICKSON T-15/T-17/T-20	2-3
HENDRICKSON HT 230-14/16	4-5
HENDRICKSON HT-300-15/17	6-7
HENDRICKSON HT250-15-17-19	8-9
HENDRICKSON INTRAAX AAT23K/25K/30K	10-11
HENDRICKSON INTRAAX AAL23K/25K/30K	12-15
HENDRICKSON HLN LIFT SUSPENSION	16-16a
HENDRICKSON UBL LIFT KIT	17-18
HUTCHENS H-900-50 SINGLE POINT	19-20
MERITOR RFS 23K	21-22
MERITOR RFS 25K	23-24
NEWAY TS-4400/5000/5600	25-26
RHC SUSPENSION	27-28
REYCO 21B	29-31
WATSON WCTA 5000	32-33
WATSON WCTL 9000	34-35
HENDRICKSON AXLE ASSEMBLIES	36
WHEEL END COMPONENTES	37-38
SUSPENSION REBUSHING KITS	39
SUSPENSION OPTIONAL COMPONENTS	40
AIR DISK BRAKE COMPONENTS	41
COMPOSILITE FX SUSPENSION	42



# SUSPENSION PARTS CATALOG

## HENDRICKSON T-15/17/20





# SUSPENSION PARTS CATALOG

## HENDRICKSON T-15/17/20 PARTS LIST

Item #	East part #	QTY	Description	Vendor #
1	517-05501-20	1	Frame Bracket T-15 Roadside / L.H	C-4720-1
	517-05502-20	1	Frame Bracket T-15 Curbside / R.H	C-4720-2
	517-05701-20	1	Frame Bracket T-17 Roadside / L.H	C-4719-1
	517-05702-20	1	Frame Bracket T-17 Curbside / R.H	C-4719-2
	517-05201-20	1	Frame Bracket T-20 Roadside / L.H	D-5234-1
	517-05202-20	1	Frame Bracket T-20 Curbside / R.H	D-5234-2
2	517-05703-20	2	Beam & Axle Seat T-15 / T-17 Roadside / L.H	B-3647-1
	517-05704-20	2	Beam & Axle Seat T-15 / T-17 Curbside / R.H	B-3647-2
	517-05203-20	2	Beam & Axle Seat T-20 Roadside / L.H	B-4620-1
	517-05204-20	2	Beam & Axle Seat T-20 Curbside / R.H	B-4620-2
3	517-05001-20	2	Upper Shock Bracket	S-2592
4	517-05002-20	2	Lower Shock Bracket	S-2723
5	517-15821-20	2	Weld Align Pivot Connection Kit	S-6914
			<b>(Includes Items 5, 13,14,15 and 21)</b>	
6	517-05004-20	4	Weld Alignment Collars	B-2770
7	518-05005-20	2	Air Spring After- 1985 2 Stud	B-4771
	518-05004-20	2	Air Spring PRE- 1985 4 Stud	B-2648
8	558-05008-00	2	Aluminum Air Spring Spacer T-17	East Item
9	517-05006-20	2	Shock Absorber	S-2218
10	517-05007-20	1	Axle U-Bolt Kit 1 Suspension	S-3650
			<b>(Includes Items 10, 11, and 12)</b>	
16	517-05009-20	2	Air Bag Mounting Kit	S-25452-2
			<b>(Includes Items 16, 17, 18, 19, and 20)</b>	
21	517-05206-20	4	Nylon Bushing Retainer Disk	S-2109
			<b>(Also Included in Item #5)</b>	
22	517-05813-20	2	Air Bag Top Mounting Plate	B-24813



# ***SUSPENSION PARTS CATALOG***

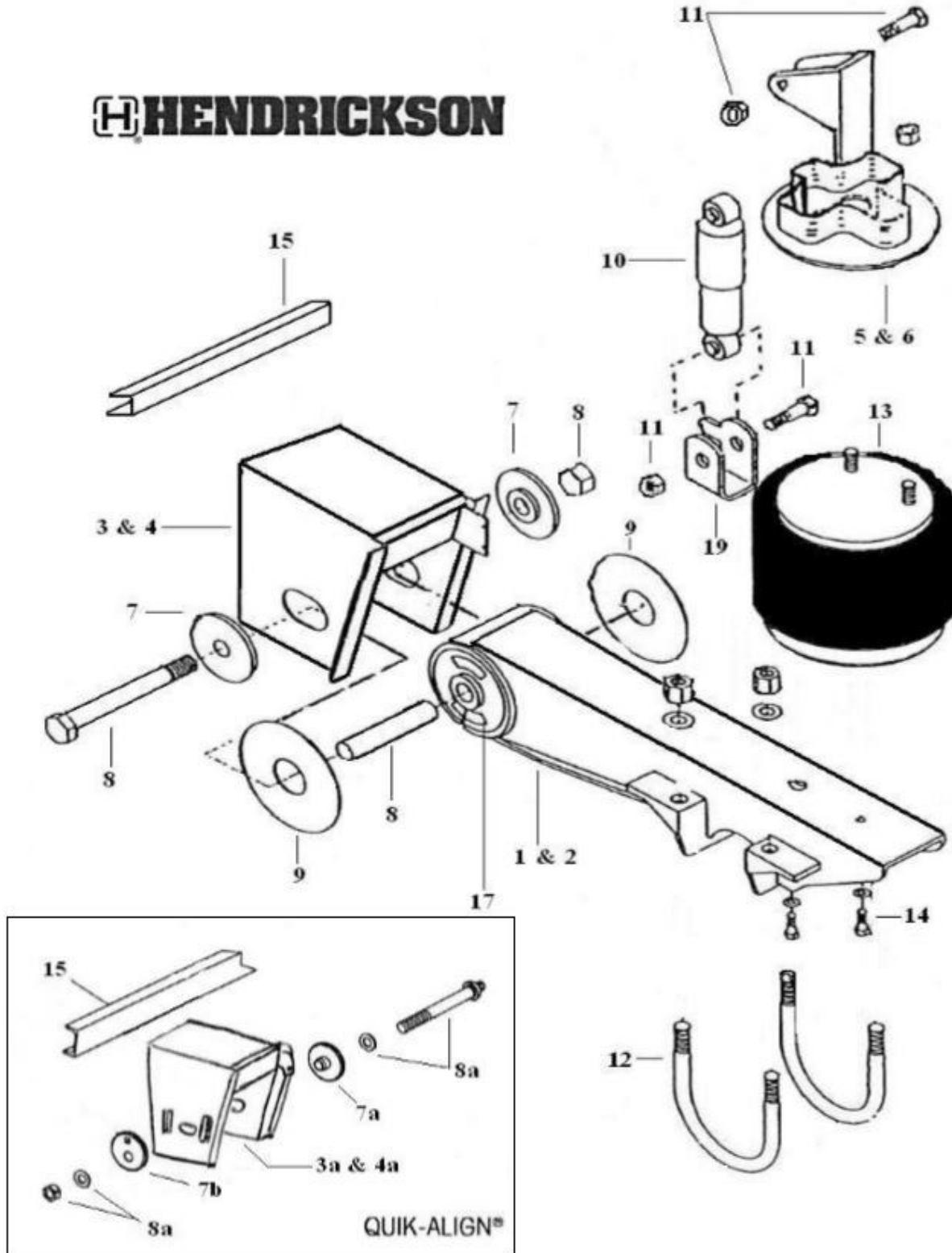
## ***HENDRICKSON HT SERIES SUSPENSIONS***



# SUSPENSION PARTS CATALOG

## HENDRICKSON HT230-14/16

HENDRICKSON



## HENDRICKSON HT230-14/16 PARTS LIST

Item #	East part #	QTY	Description	Vendor #
1	517-05100-20	1	Beam & Axle Seat HT-14/16 Curbside / R.H	S-20000-2
2	517-05101-20	1	Beam & Axle Seat HT-14/16 Roadside / L.H	S-20000-1
3	517-05102-20	1	Frame Bracket HT-14 Curbside / R.H	S-20007-2
	517-05103-20	1	Frame Bracket HT-14 Roadside / L.H	S-20007-1
3a	517-05802-20	1	Frame Bracket HT-14 Q/A Curbside / R.H	D-22137-2
	517-05803-20	1	Frame Bracket HT-14 Q/A Roadside / L.H	D-22137-1
4	517-05104-20	1	Frame Bracket HT-16 Curbside / R.H	C-20008-2
	517-05105-20	1	Frame Bracket HT-16 Roadside / L.H	C-20008-1
4a	517-05800-20	1	Frame Bracket HT-16 Q/A Curbside / R.H	S-22138-2
	517-05801-20	1	Frame Bracket HT-16 Q/A Roadside / L.H	S-22138-1
4b	517-05118-20	1	Frame Bracket HT-18 Q/A Roadside / L.H	D-21332-1
	517-05119-20	1	Frame Bracket HT-18 Q/A Curbside / R.H	D-21332-2
5	517-05106-20	1	Air Spring Shock Mount HT-14 Curbside / R.H	C-20015-2
	517-05107-20	1	Air Spring Shock Mount HT-14 Roadside/ L.H	C-20015-1
6	517-05108-20	1	Air Spring Shock Mount HT-16 Curbside / R.H	C-20041-2
	517-05109-20	1	Air Spring Shock Mount HT-16 Roadside / L.H	C-20041-1
6a	517-05116-20	1	Air Spring Shock Mount HT-18 Roadside / L.H	C-20042-1
	517-051177-20	1	Air Spring Shock Mount HT-18 Curbside / R.H	C-20042-2
7	517-05004-20	4	Alignment Collars Weld Align	B-2770
7a	517-05020-20	2	Eccentric Align Collar Quick Align	S-20924
	517-05021-20	2	Concentric Align Collar Quick Align	S-20925
8	517-05008-20	2	Pivot Bolt Kit (Weld Align)	S-3646
8a	517-05679-20	2	Pivot Bolt Kit (Quick Align) <b>(Included in Item 17)</b>	S-24679
9	517-05206-20	4	Nylon Retainer Disk <b>(Included in item 17)</b>	S-21099
10	517-05110-20	2	Shock Absorber	S-20002
11	517-05010-20	2	Shock Bolt Kit	S-20031/2
12	517-05113-20	4	U-Bolt Kit HT Suspensions	S-21140/4
13	518-05009-20	2	Air Spring HT-14/ HT-16	S-20010
14	517-05009-20	2	Air Spring mounting Kit	S-25452-2
15	554-05014-00	1	3" Steel Cross Brace 42" (102"W Chassis)	East Part
	554-05014-01	1	3" Steel Cross Brace 36" (96"W Chassis)	East Part
17	517-15821-20	2	Trifunctional Bushing Kit (Weld Align)	S-6914
	517-15822-20	2	Trifunctional Bushing Kit (Quick Align)	S-24691

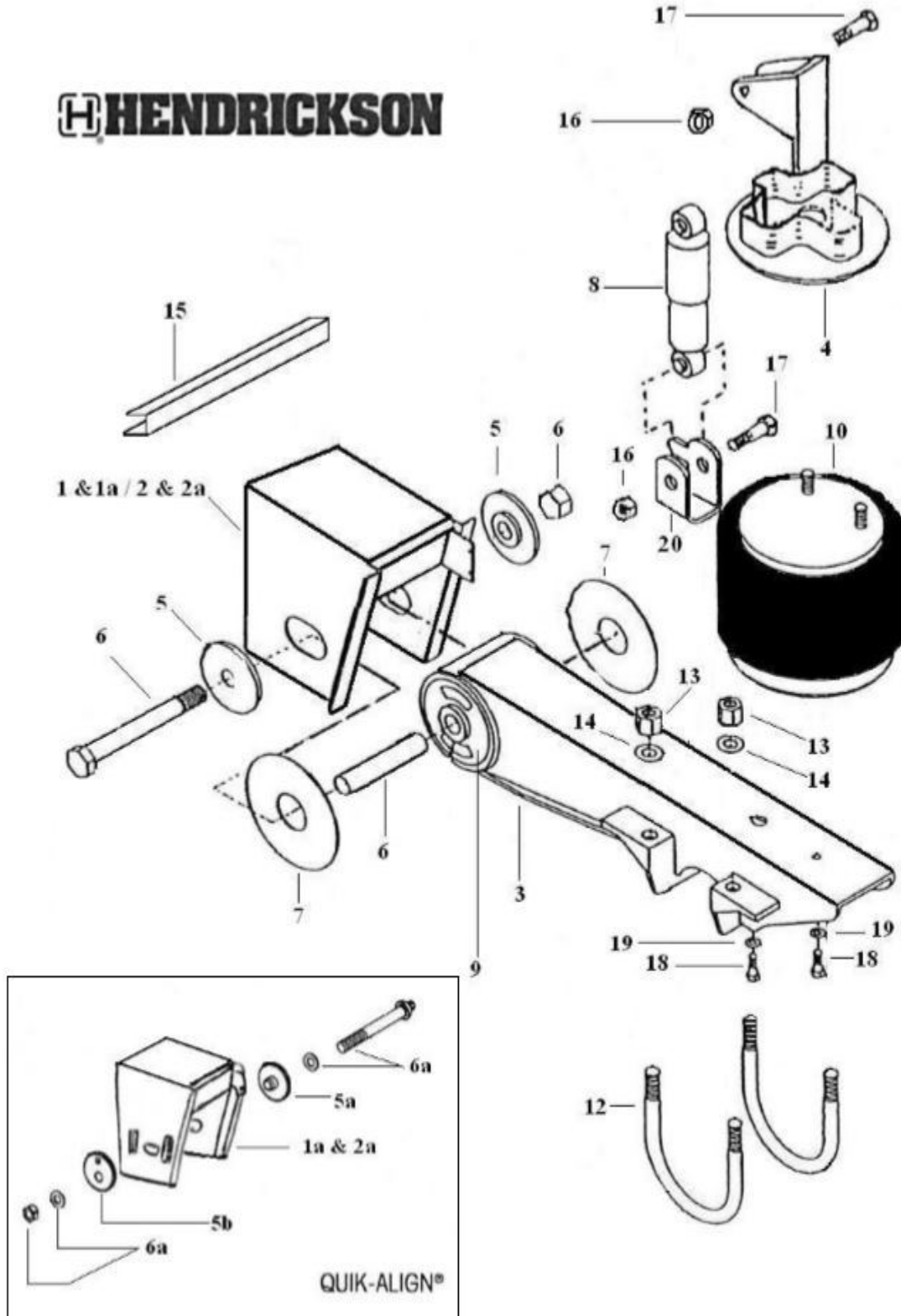
**(Includes Items 8,9,and 17)**



# SUSPENSION PARTS CATALOG

## HENDRICKSON HT300-15/17

HENDRICKSON





# SUSPENSION PARTS CATALOG

## HENDRICKSON HT300 15/17 PARTS LIST

Item #	Part #	QTY	Description	Vendor #
1	517-05300-20	1	Frame Bracket HT300-17-002 Curbside / R.H	D-20190-2
	517-05301-20	1	Frame Bracket HT300-17-002 Roadside / L.H	D-20190-1
1a	517-05902-20	1	Frame Bracket (Q/A) HT300-17-060 Curbside / R.H	D-24222-2
	517-05903-20	1	Frame Bracket (Q/A) HT300-17-060 Roadside / L.H	D-24222-1
2	517-05302-20	1	Frame Bracket HT300-15-002 Curbside / R.h	C-20189-2
	517-05303-20	1	Frame Bracket HT300-15-002 Roadside / L.H	C-20189-1
2a	517-05904-20	1	Frame Bracket (Q/A) HT300-15-060 Curbside / R.H	D-24220-2
	517-05905-20	1	Frame Bracket (Q/A) HT300-15-060 Roadside / L.H	D-24220-1
3	517-05304-20	1	Beam and Axle Seat HT300-15/17 Curbside / R.H	D-20186-2
	517-05305-20	1	Beam and Axle Seat HT300-15/17 Roadside / L.H	D-20186-1
4	517-05307-20	1	Air Spring, Shock Mount HT300-17 Curbside / R.H	C-20191-2
	517-05308-20	1	Air Spring, Shock Mount HT300-17 Roadside / L.H	C-20191-1
	517-05309-20	1	Air Spring, Shock mount HT300-15 Curbside / R.H	C-20188-2
	517-05310-20	1	Air Spring, Shock Mount HT300-15 Roadside / L.H	C-20188-1
5	517-05004-20	4	Welded Alignment Collar	B-2770
5a	517-05020-20	2	Q/A Eccentric Collar	S-20924
5b	517-05021-20	2	Q/A Concentric Collar	S-20925
6	517-05008-20	2	Pivot Bolt Kit (Welded Align) <b>(Included in Item 9a)</b>	S-3646
6a	517-05679-20	2	Pivot Bolt Kit (Quick Align) <b>(Included in item 9)</b>	S-24679
7	517-05206-20	4	Nylon Bushing Retainer Disk <b>(Included in Item 9 &amp; 9a)</b>	S-21099
8	517-05306-20	2	Shock Absorber	S-20126
9	517-15822-20	2	Tri Functional Bushing Kit (Q/A)	S-24691
9a	517-15821-20	2	Tri Functional Bushing Kit (Weld Align)	S-6914
10	518-05005-20	2	Air S[pring / Ride Bag	S-4771
12	517-05113-20	4	Axle U-Bolt Kit <b>(Includes items 13 &amp; 14)</b>	S-21140/4
15	554-05014-00	1	3" Steel Channel (102"W Units) 42"	East Part
	554-05014-01	1	3" Steel Channel(96"W units) 36"	East Part
16-19	517-05010-20	2	Shock Bolt Kit	S-20031-2
20	517-05111-20	2	Lower Shock Mount	C-20069



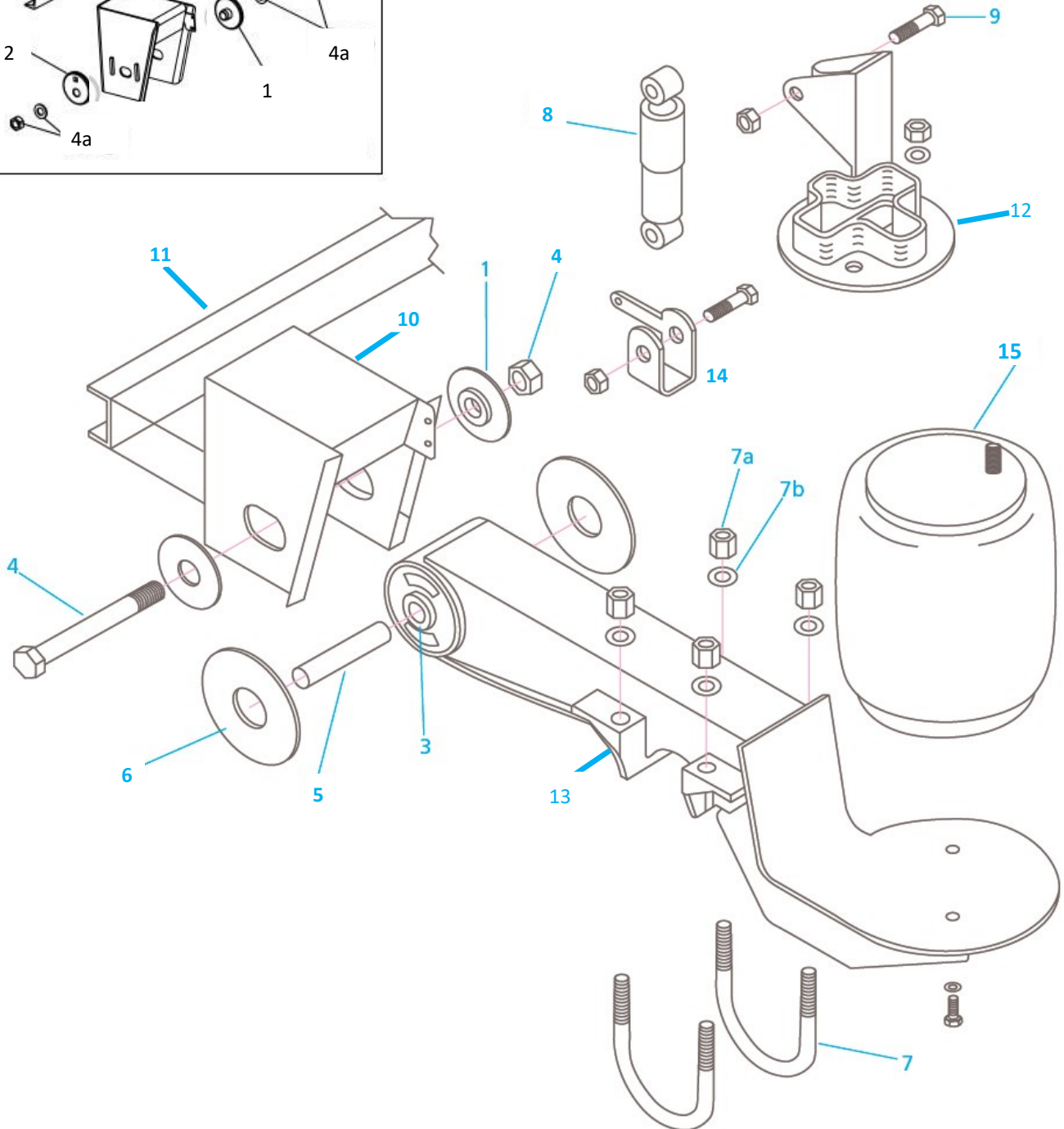
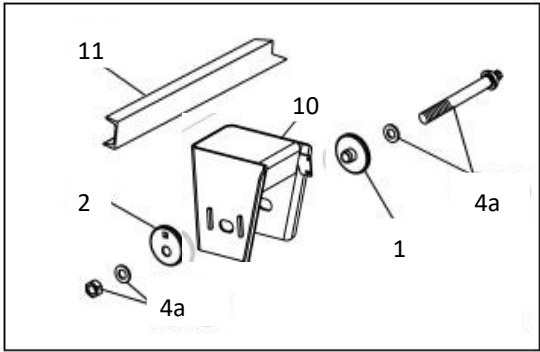
# ***SUSPENSION PARTS CATALOG***

## ***HENDRICKSON HT250 15/17 /19***



# SUSPENSION PARTS CATALOG

## HENDRICKSON HT250 15/17 /19





# SUSPENSION PARTS CATALOG

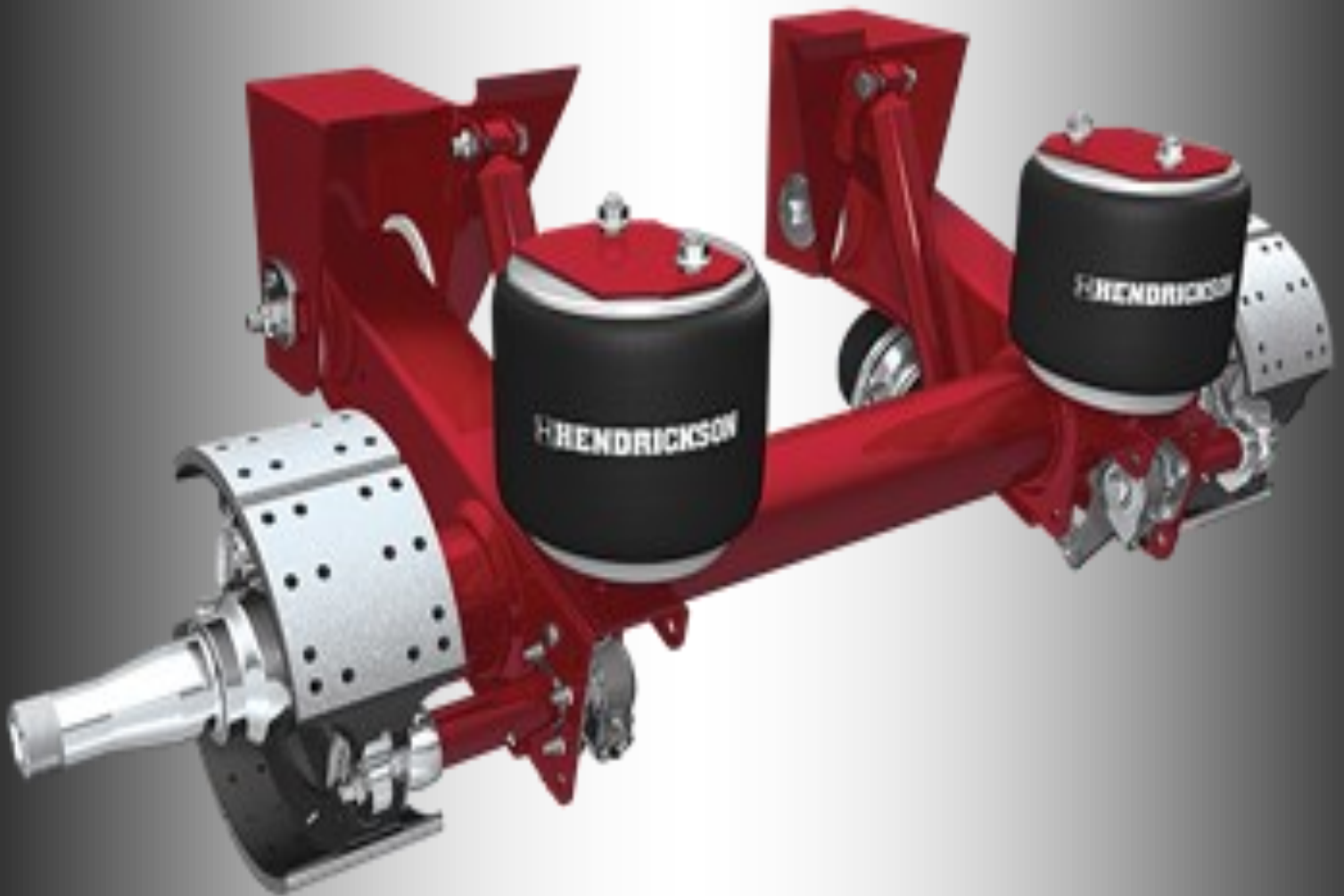
## HENDRICKSON HT250 15/17 /19

NO	Part Number	QTY	Description	Vendor Number
1.	517-05021-20	2	Concentric Collars	S-20924
1a.	517-05004-20	4	Weld Align Collars	B-2770
1.	517-05020-20	2	Eccentric Collars	S-20925
3-6.	517-15821-20	2	Weld Align Bushing Kit	S-6914
	517-15822-20	2	Q/A Bushing Kit	S-24691
4.	517-05008-20	2	Pivot Bolt Kit Weld Align	S-3646
4a	517-05679-20	2	Pivot Bolt Kit Quick Align	S-24679
7.	517-05113-20	4	U-Bolt Kit	S-21140/4
8.	517-05212-20	2	HT250 Shock Absorber	S-2212
9.	517-05010-20	2	Shock Bolt Kit	S-20031-2
10.	517-05102-20	1	HT250-15-002 W/A Hanger P/S	S-20007-2
	517-05103-20	1	HT250-15-002 W/A Hanger D/S	S-20007-1
	517-05104-20	1	HT250-17-002 W/A Hanger P/S	S-20008-2
	517-05105-20	1	HT250-17-002 W/A Hanger D/S	S-20008-1
	517-05396-20	1	HT250-19-002 W/A Hanger D/S	S-20396-1
	517-05397-20	1	HT250-19-002 W/A Hanger P/S	S-20396-2
11.	554-05014-00	1	41" Cross Channel 102"w Units	East Part
	554-05014-01	1	38" Cross Channel 96" Units	East Part
12.	517-05122-20	1	P/S Bag/Shock Mount Plate 15"RH	C-21220-2
	517-05121-20	1	D/S Bag/Shock Mount Plate 15"RH	C-21220-1
	517-05135-20	1	D/S Bag/Shock Mount Plate 17" RH	C-21222-1
	517-05136-20	1	P/S Bag/Shock Mount Plate 17" RH	C-21222-2
	517-05213-20	1	P/S Bag/Shock Mount Plate 19" RH	C-21213-2
	517-15214-20	1	D/S Bag/Shock Mount Plate 19" RH	C-21213-1
13.	517-05137-20	1	Trailing Beam Assy. Driver	S-20602-1
	517-05138-20	1	Trailing Beam Assy. Passenger	S-20602-2
14.	517-05111-20	2	Lower Shock Mount	C-20069
15.	518-05011-20	2	Air Bag / Air Spring	C-20124



# ***SUSPENSION PARTS CATALOG***

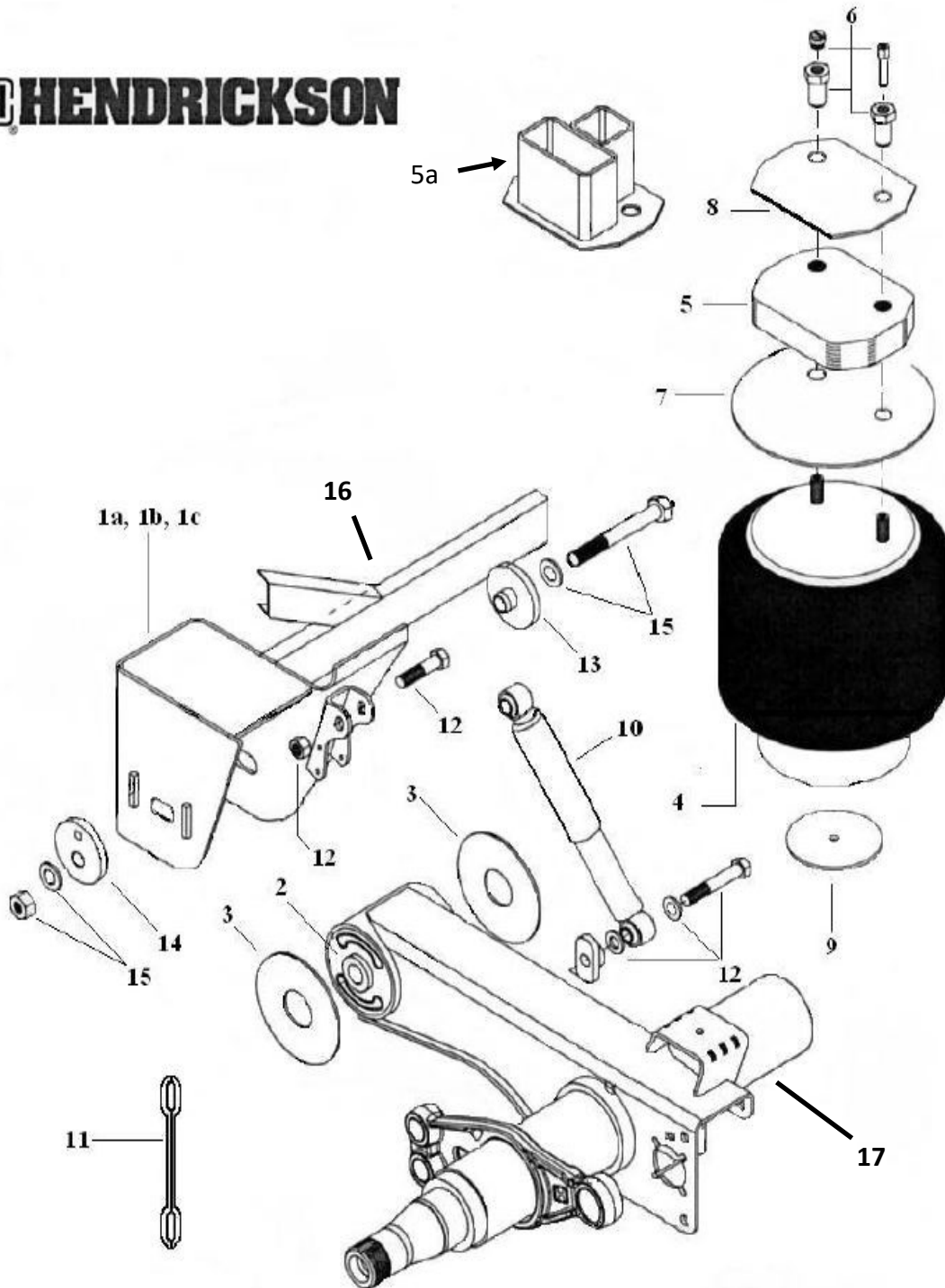
## ***HENDRICKSON INTRAAX SERIES SUSPENSION***



# SUSPENSION PARTS CATALOG

## HENDRICKSON INTRAAX 23K, 25K, 30K

HENDRICKSON



## HENDRICKSON INTRAAX PARTS LIST (Non LDA Pre 2012)

NO.	Part #	QTY	Item	Vendor #
1a	517-15825-20	1	Hanger AAT 23K-30K 14" & 15" B.O. Roadside / L.H	S-36566-2L
	517-15826-20	1	Hanger AAT 23K-30K 14" & 15" B.O. Curbside / R.H	S-36566-2R
	517-25831-20	1	Hanger Galvanized 23K-30K 14" & 15" Roadside / L.H	S-30960-4LGV
	517-25832-20	1	Hanger Galvanized 23K-30K 14" & 15" Curbside / R.H	S-30960-4RGV
1b	517-15823-20	1	Hanger AAT 23K-30K 16"&17" B.O. Roadside / L.H	S-36566-4L
	517-15824-20	1	Hanger AAT 23K-30K 16"&17" B.O. Curbside / R.H	S-36566-4R
	517-25833-20	1	Hanger Galvanized 23K-30K 16" & 17" Roadside / L.H	S-36566-4LGV
	517-25834-20	1	Hanger Galvanized 23K-30K 16" & 17" Curbside / R.H	S-36566-4RGV
1c	517-15831-20	1	Hanger AAT 23K-30K 18" & 19" B.O. Roadside / L.H	S-36567-4L
	517-15832-20	1	Hanger AAT 23K-30K 18" & 19" B.O. Curbside / R.H	S-36567-4R
2	517-15822-20	2	Quick Align Pivot Bushing Kit (1 Arm) <b>Includes Items 2, 3, and 15</b>	S-24691
3	517-05206-20	4	Bushing Retainer Disk	S-21099
4	518-05017-20	2	Air Spring AAT 23K	S-21800
	518-05018-20	2	Air Spring AAT 25K	S-20901
	518-05022-20	2	Air Spring AAT 30K	S-25873
5	517-15125-20	2	Air Spring Spacer (1-1/8") 15" Ride Height	B-22510-1
	517-15126-20	2	Air Spring Spacer (1-7/8") 16" Ride Height	B-22510-2
	517-15127-20	2	Air Spring Spacer (3-1/8") 17" Ride Height	B-22510-3
5a	517-05079-20	2	19" RH AAT Air Bag Spacer Non LDA (Pre 2012)	D-26977-9
6	517-15193-20	2	Air Spring Mounting Kit No Spacer	S-22619/2
	517-15190-20	2	Air Spring Mounting Kit, 15" Ride Height	S-22630/2
	517-15191-20	2	Air Spring Mounting Kit, 16" Ride Height	S-22631/2
	517-15192-20	2	Air Spring Mounting Kit, 17" Ride Height	S-22632/2
7	517-05813-20	2	Air Spring Flex Plate	B-24813
8	517-05390-20	2	Air Spring Mounting Plate	B-22390
		2	Galvanized Mounting Plate	B-22390GV
9	517-05391-20	2	Air Spring Bottom Retainer Disk	S-21786
10	517-05805-20	2	Shock Absorber AAT 23K & AAT 25K	S-23566
	517-05808-20	2	Shock Absorber AAT 30K	S-24023
11	517-05861-20	1	Shock Limiting Strap Kit AAT23K-25K 17" RH	S-23086-1
	517-05862-20	1	Shock Limiting Strap Kit AAT30K 17"-19" RH	S-23086-2



# SUSPENSION PARTS CATALOG



## HENDRICKSON INTRAAX PARTS LIST (Non LDA Pre 2012) Cont.

NO.	Part #	QTY	Item	Vendor #
12	517-05810-20	2	Shock Bolt Kit with Spacer	S-24021
13	517-05020-20	2	Eccentric Collar	S-20924
14	517-05021-20	2	Con Central Collar	S-20925
15	517-05679-20	2	Pivot Beam Bolt Kit (Quick Align)	S-24679
16	517-15003-20	1	K-Bracing Mounting Kit 102" W Chassis	C-31901-1C
	517-15008-20	1	K-Bracing Mounting Kit 96" W Chassis	C-31901-3C
17	517-15080-20	1	Non-LDA Air Spring Pedestal (Pre 2012) 5" Axle R/H	S-22297-1
	517-15081-20	1	Non-LDA Air Spring Pedestal (Pre 2012) 5" Axle L/H	S-22297-2
	517-05051-20	1	LDA Pedestal L.H. 14" Ride height (After 2012)	S-32164-1L
	517-05052-20	1	LDA Pedestal R.H. 14" Ride Height (After 2012)	S-32164-1R
	517-05053-20	1	LDA Pedestal L.H. 15"-16" Ride Height (After 2012)	S-32164-2L
	517-05054-20	1	LDA Pedestal R.H. 15"-16" Ride Height (After 2012)	S-32164-2R
	517-05055-20	1	LDA Pedestal L.H. 17"-19" Ride Height (After 2012)	S-32164-3L
	517-05056-20	1	LDA Pedestal R.H. 17"-19" Ride Height (After 2012)	S-32164-3R



# ***SUSPENSION PARTS CATALOG***

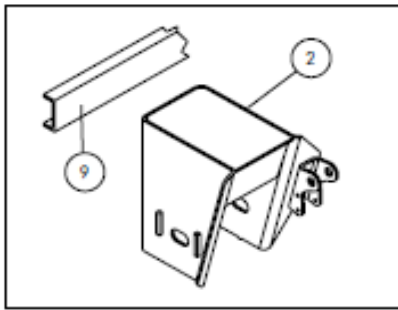
## ***Hendrickson AAL Suspension's***



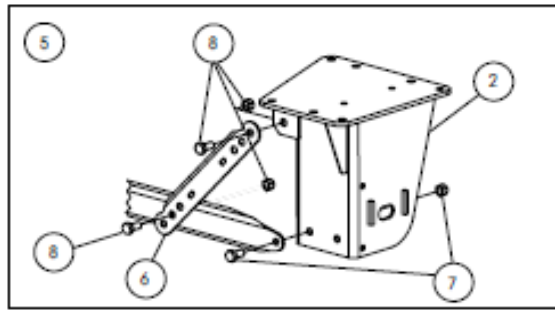
# SUSPENSION PARTS CATALOG

## Hendrickson AAL Suspension's

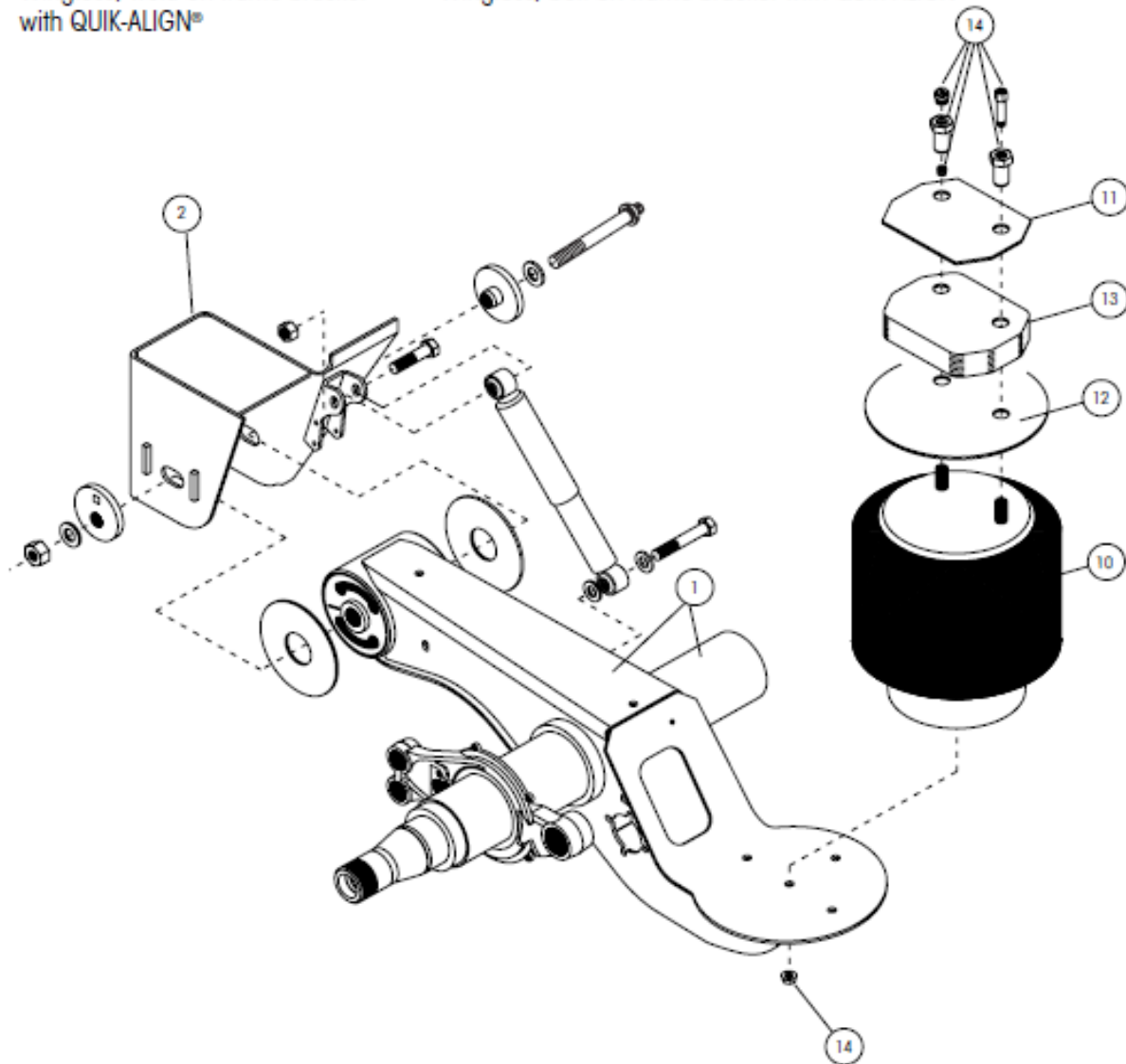
### INTRAAX® AAL 23K / 25K / 30K PARTS LIST



Wingless, weld-on frame bracket with QUIK-ALIGN®



Wingless, bolt-on frame bracket with QUIK-ALIGN®





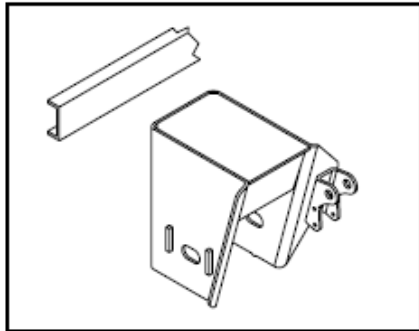
# SUSPENSION PARTS CATALOG

## Hendrickson AAL Suspension Parts List

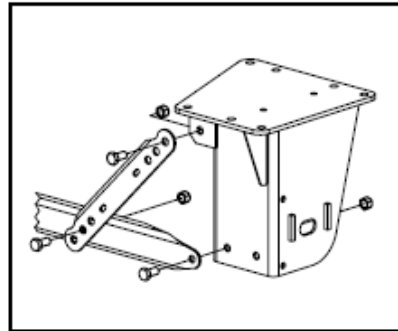
NO.	Part Number	Description	Vendor Number	QTY Per Susp.
1.	Call East	Hendrickson Axle beam Assembly	Call East	1
2a.	517-15906-20	Hanger Assy. 23K-30K 6.5" RH, Driver	S-30964-3L	1
	517-15907-20	Hanger Assy, 23K-30K 6.5" RH, Pass.	S30964-3R	1
2b.	517-15904-20	Hanger Assy, 23K-30K 14"-15" RH, Driver	S-24762-6L	1
	517-15905-20	Hanger Assy, 23K-30K 14"-15" RH, Pass.	S-24762-6R	1
2c.	517-15900-20	Hanger Assy, 23K-30K 16"-17" RH Driver	S-30965-1L	1
	517-15901-20	Hanger Assy, 23K-30K 16"-17" RH Pass.	S-30965-1R	1
2d.	517-15902-20	Hanger Assy, 23K-30K 18"-19" RH Driver	S-36565-4L	1
	517-15903-20	Hanger Assy, 23K-30K 18"-19" RH Pass.	S-36565-4R	1
5.	517-15008-20	K-Bracing Kit 96" Wide Units (Items 6-8)	C-31901-3C	1
	517-15003-20	K-Bracing Kit 102" Wide Units (Items 6-8)	C-31901-1C	1
9.	554-05014-00	Weld On C Channel 102" Wide Unit		1
	554-05014-01	Weld On C Channel 96" Wide Units		1
10.	518-05026-20	Air Spring AAL23K, 6.5" Ride Height	S-23720	2
	518-05027-20	Air Spring AAL25K, 6.5" Ride height	S-23721	2
	518-05614-20	Air Spring AAL 23K 12"-19" Ride Height	S-23614	2
	518-05025-20	Air Spring AAL 25K 12"-19" Ride Height	S-23612	2
	518-05023-20	Air Spring AAI 30K 12"-19" Ride Height	S-25872	2
11.	517-05390-20	Air Spring Mounting Plate (Bolt On)	S-20905 (S-22390)	2
		Air Spring Mounting Plate (Weld On)	S-21145	2
12.	517-05813-20	Flex Plate Top of Bag	B-24813	2
13.	517-15128-20	3/4" Air Spring Spacer 14" RH	S-22510-4	2
	517-15125-20	1-1/8" Spring Spacer 15" RH	S-22510-1	2
	517-15126-20	1-7/8" Spring Spacer 16" RH	S-22510-2	2
	517-05077-20	Spring Spacer Bolt on 19" RH	S-26977-11	2
14.	517-15193-20	6.5"-12" RH Air Bag Mount Kit	S-22619/2	2
	517-15190-20	14" RH Air Bag Mount Kit	S-22630/2	2
	517-15191-20	15"RH Air Bag Mount Kit	S-22631/2	2
	517-15192-20	16" RH Air bag mount Kit	S-22632/2	2
	517-15193-20	17"-19" RH Air Bag mount Kit	S-22619/2	2

# SUSPENSION PARTS CATALOG

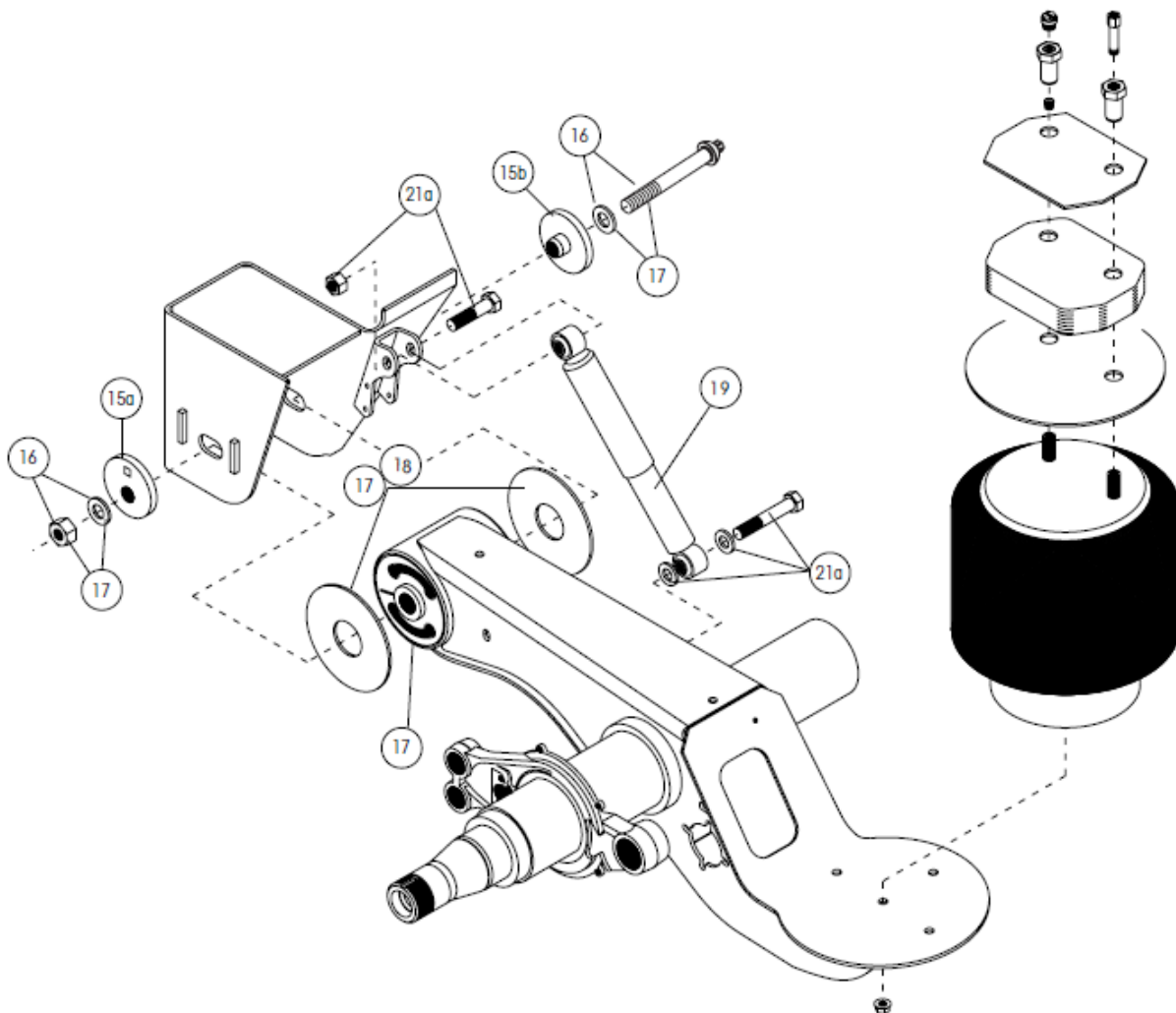
## Hendrickson AAL Suspension Parts List



Wingless, weld-on frame bracket with QUIK-ALIGN®



Wingless, bolt-on frame bracket with QUIK-ALIGN®





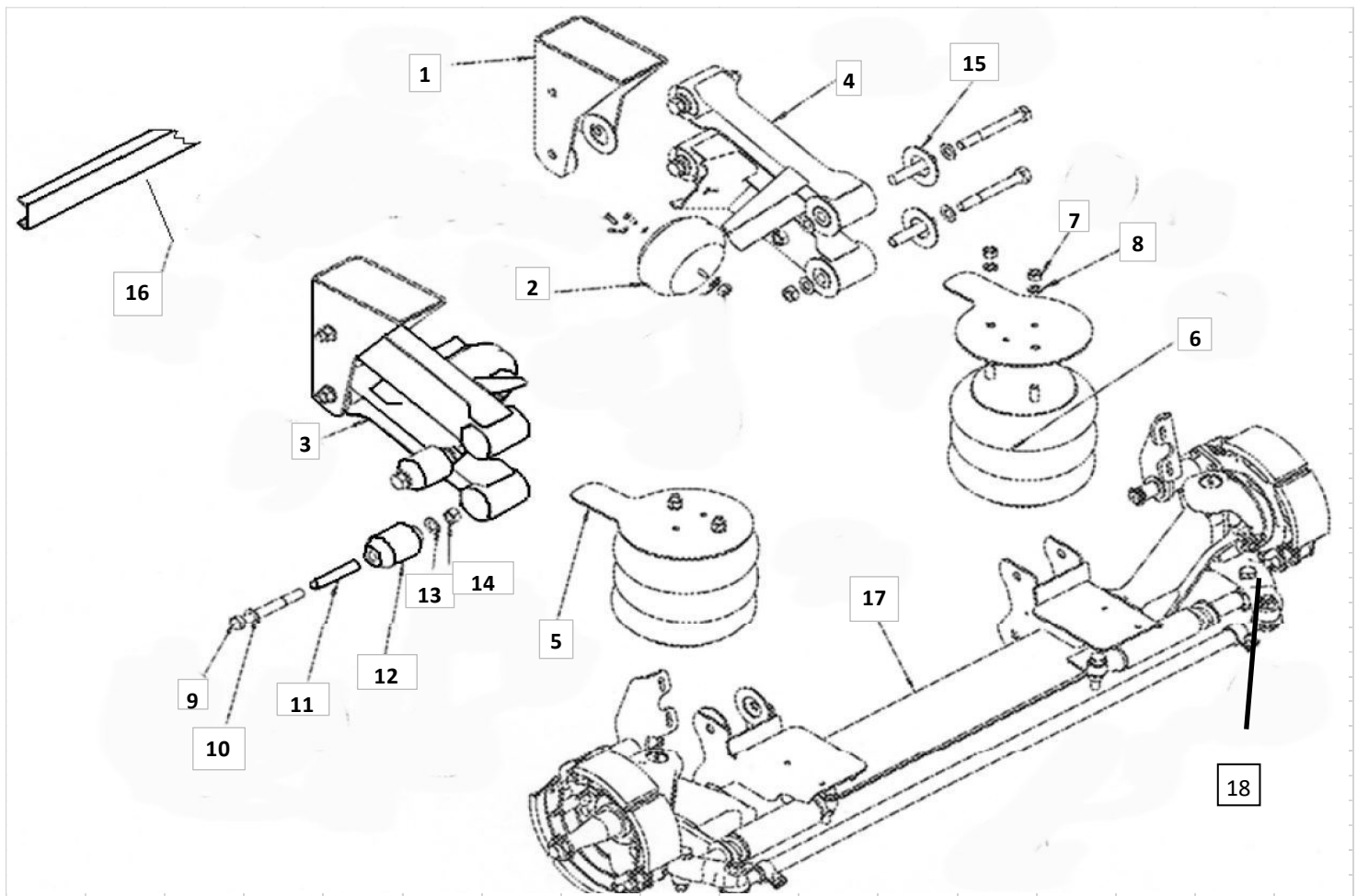
# SUSPENSION PARTS CATALOG

## Hendrickson AAL Suspension Parts List

NO.	Part Number	Description	Vendor Number	QTY Per Susp.
15a.	517-05020-20	Eccentric Align Collar	S-20925	2
15b.	517-05021-20	Concentric Align Collar	S-20924	2
16.	517-05679-20	Quick Align Pivot Bolt Kit	S-24679	2
17.	517-15822-20	Tri Functional Bushing Kit	S-24691	2
18.	517-05206-20	Bushing Tube Spacer	S-21099	4
19.	<b>Front Mounted Shock Absorber</b>			
	517-05216-20	6.5" -9" Ride Heights Ext Service	S-23651	2
	517-05808-20	12" Ride Height Ext. Service	S-24023	2
	517-05809-20	14"-19" Ride Heights Ext Service	S-23316	2
20.	<b>Rear Mounted Shocks (Not Shown)</b>			
	517-05346-20	6.0"-9" Ride Heights	S-20345	2
	517-25437-20	14"-17" Ride Heights	S-25437	2
21.	Non Stock	Non LDA Axle Pre 2012 Shock Bolt kit	S-24757/2	2
	Non Stock	LDA Axle After 2012 Shock Bolt Kit	S-31080/2	2
	Non Stock	Rear Mounted Shock Bolt Kit	S-21577/2	2

# SUSPENSION PARTS CATALOG

## HENDRICKSON HLN LIFT SUSPENSION





# SUSPENSION PARTS CATALOG

## HENDRICKSON HLN LIFT SUSPENSION PARTS

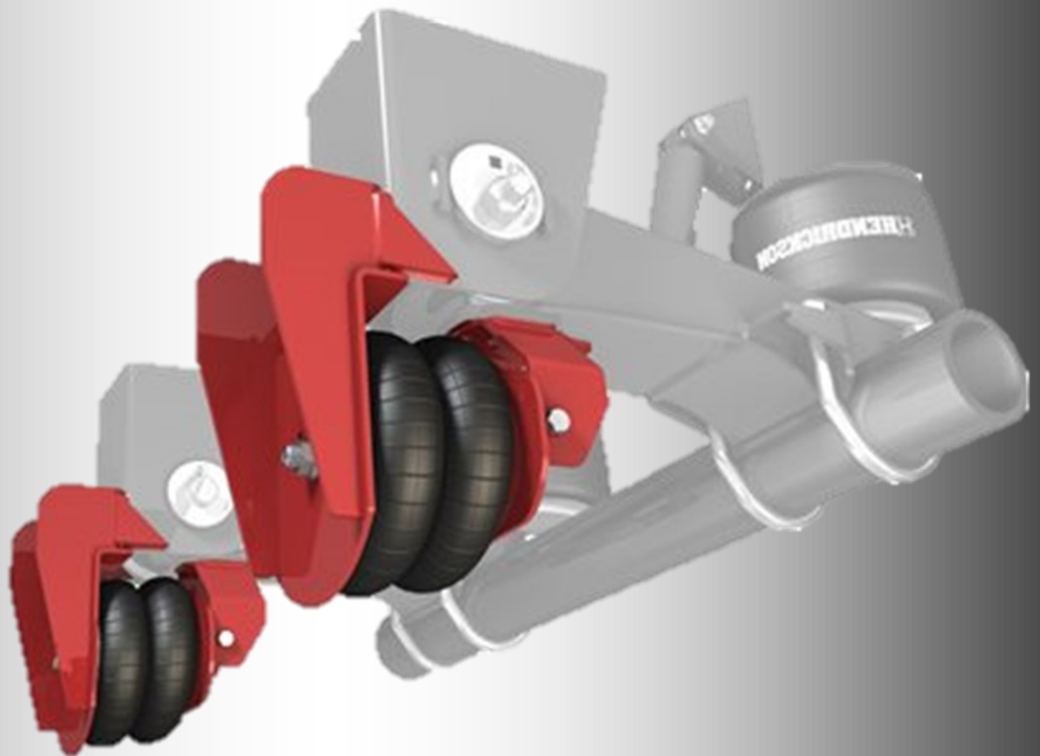
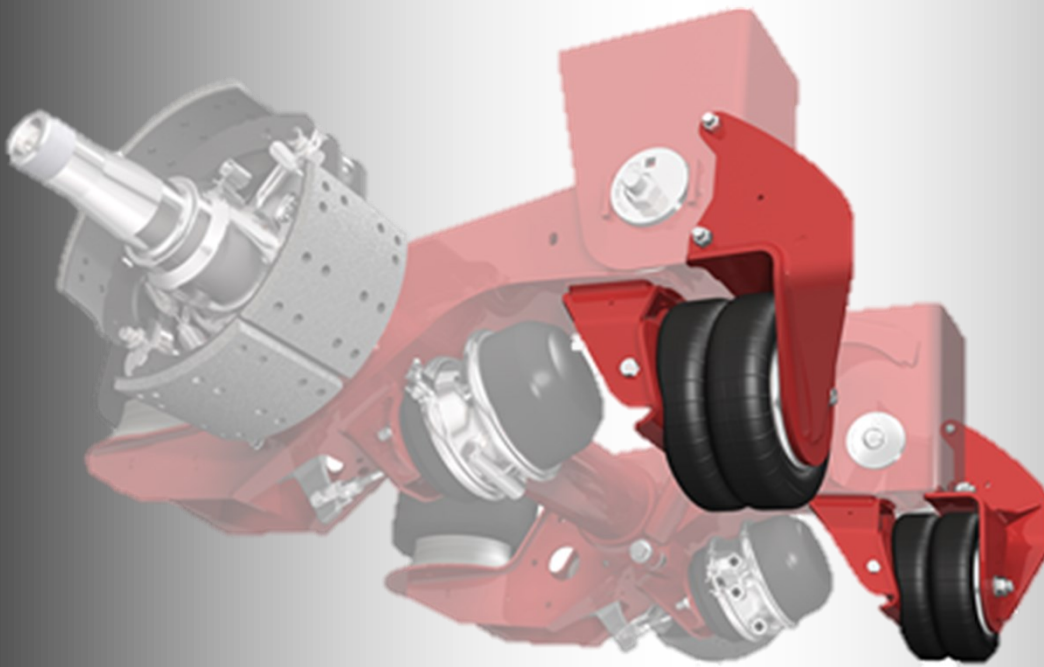
NO.	Item #	Description	Vendor #
1	517-05018-20	DRIV. SIDE HANGER 21" B/O	R-001013-1
	517-05019-20	PASS. SIDE HANGER 21" B/O	R-001013-2
2	518-05019-20	UP BAG (LIFT)	B-14486
3	517-05045-20	LOWER BEAM ASSEMBLY NON-STEER (TRIANGLE)	D-14784-2
	517-05043-20	LOWER BEAM ASSEMBLY STEERABLE (Z-STYLE)	002006-1
4	517-05044-20	UPPER BEAM ASSEMBLY NON-STEER (TRIANGLE)	D-14784-1
	517-05042-20	UPPER BEAM ASSEMBLY STEERABLE (Z-STYLE)	002006-2
5	517-05036-20	DRIVER BAG TOP PLATE	001014-1
	517-05037-20	PASSENGER BAG TOP PLATE	001014-2
6	518-05020-20	DOWN BAG (RIDE)	1015
7	540-01000-12	BAG MOUNTING NUT 3/4" X 16	
8	540-03000-12	BAG MOUNTING 3/4" LOCK WASHER	
	517-05237-20	Complete Bushing kit	R002237
*9.	517-05239-20	7/8"-9 x7.5" Pivot Bolt	
*10/13	540-02000-14	7/8" Flat Washer	
*11.	517-05242-20	Bolt liner	
*12.	517-05241-20	Beam Bushing	
*14.	517-05243-20	Torque Nut	
*15.	517-05238-20	Nylon Wear Pad	
16	554-05014-00	3" Steel Cross Channel	
17	Call East MFG. For Assistance		
18	517-05046-20	Pivot King Pin Kit (Steerable)	8003200
<b>* Included in Bushing Kit 517-05237-20</b>			





# *SUSPENSION PARTS CATALOG*

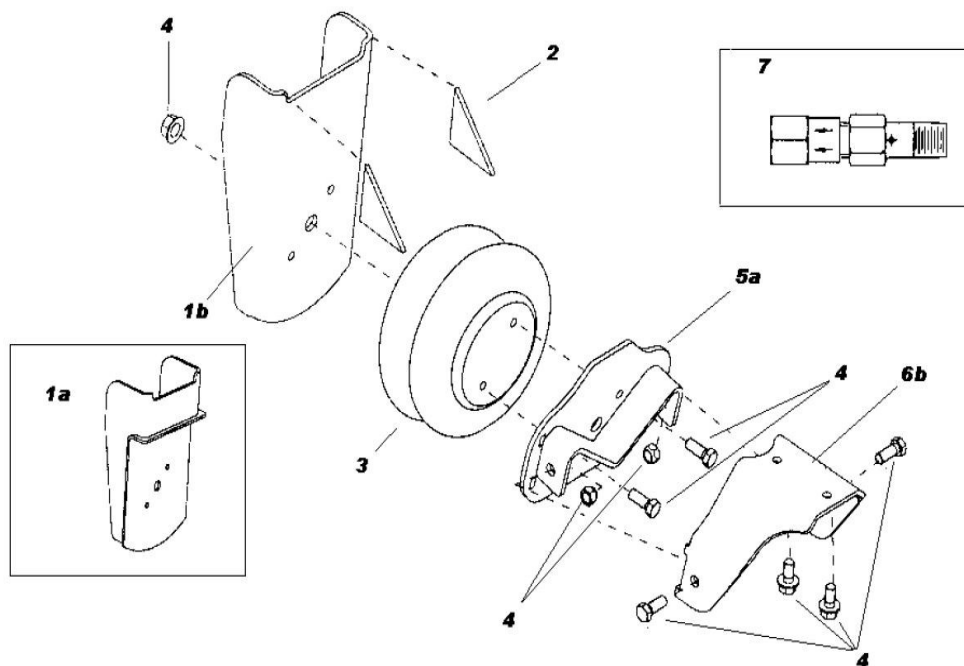
## *HENDRICKSON UBL Lift Kits (Under beam)*



# SUSPENSION PARTS CATALOG

## HENDRICKSON UBL Lift Kits (Under beam)

### HT Series, and Early Model Intraax Series (Pre 2016)

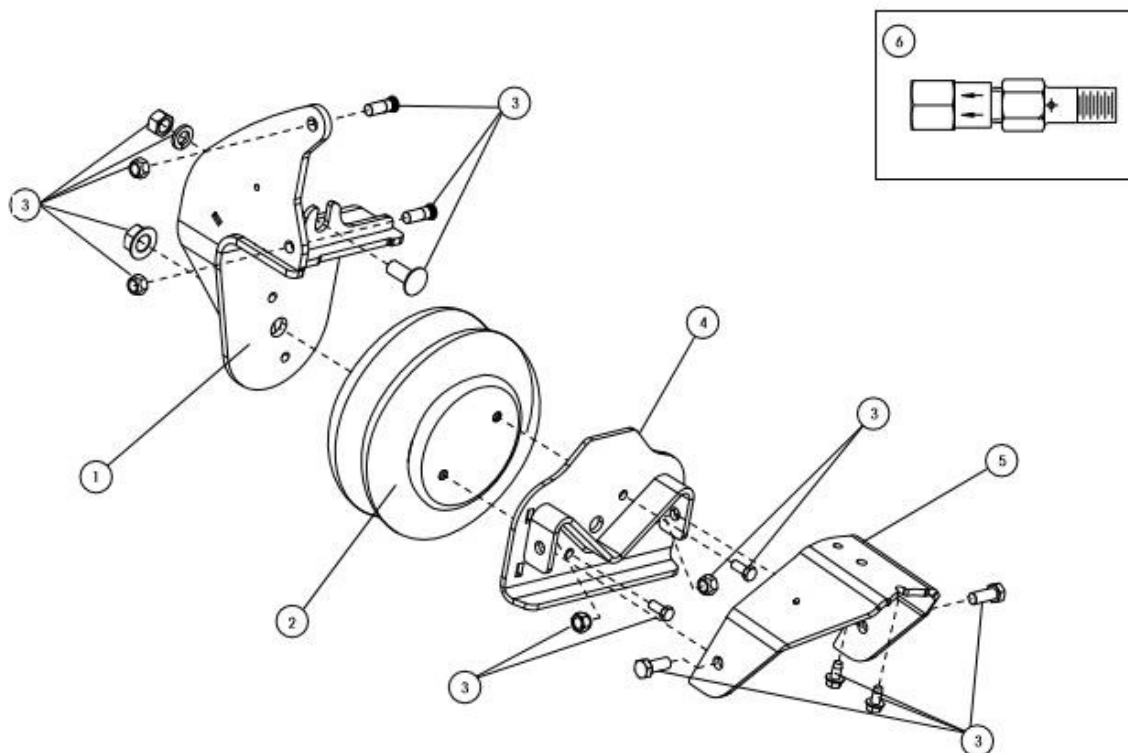


1a	517-15132-20	HT230, HT300, AAT Front Support Bracket UBL-001	D-23301
1b	517-15131-20	HT250, AAL Front Support Bracket UBL-002, UBL-003	D-24658
1c	C-28610-1	AANT Driver Side Front Support Bracket UBL-004	C-28610-1
1c	C-28610-2	AANT Passenger Side Front Support Bracket UBL-004	C-28610-2
2	517-15136-20	Gusset Support UBL-002, UBL-003	B-2901-37
3	518-05024-20	UBL/SBL Lift Bag (All Models)	C-23114
4	S-25614/2	Hardware Bolt Kit	S-24614/2
5a	517-15133-20	Lift Bag Support Plate All models Except AANT	B-27945
5b	C-28614	AANT Only Lift Bag Support Plate	C-28614
6a	517-05299-20	Beam Mounting Bracket HT230, HT300, AAT UBL-001,	C-23299
6b	517-15134-20	Beam Mounting Bracket HT250, HT300, AAL UBL-002, UBL-003	C-28537
6c	C-28617-1	Beam Mounting Bracket Roadside AANT UBL-004	C-28617-1
6c	C-28617-2	Beam Mounting Bracket Curbside AANT UBL-004	C-28617-2
7	510-05214-20	AAL, HT250 Crossover Check Valve	VS-27214
	517-15121-20	HT230, HT300, AAT Weld On Kit	UBL-001
	517-15122-20	Ht250, AAL Weld On Kit	UBL-002
	517-15123-20	AANT Weld On Kit	UBL-003
	517-15124-20	AANL Weld On Kit	UBL-004

# SUSPENSION PARTS CATALOG

**HENDRICKSON BOLT ON UBL Lift Kits (Under beam AFTER 2016)**

## AAT, AAL, AANT Series Suspension Kits (After 2016)



1a	C-33350-1C/2C	Front Air Bag Bracket AAT, AAL Primer UBL-101, UBL-201	
1b	C-33350-1GV/2GV	Front Air Bag Bracket AAT, AAL Galvanized UBL-101, UBL-201	
1c	C-32038-1C/2C	Front Air Bag Bracket AANT Primer UBL-401	
1d	C-32038-1GV/2GV	Front Air bag bracket AANT Galvanized UBL-402	
2	518-05024-20	UBL/SBL Lift Bag	S-23114
3	S-30634-1	Hardware Bolt Kit	
4a	517-15133-20	Lift Bag Plate AAT, AAL Models	S-27945
4b	C-28614	Lift Bag Plate AANT Models Only	
5a	C-32893C	Lift Pivot Bracket AAT Only UBL-101	
5b	C-32041C	Lift Pivot Bracket AAL Only UBL-201	
5c	C-28617-1/-2	Lift Pivot Bracket AANT model Only UBL-401	
6	510-05214-20	Hendrickson Check Valve	VS-27214



# *SUSPENSION PARTS CATALOG*

*HUTCH 900 –50K SINGLE POINT*

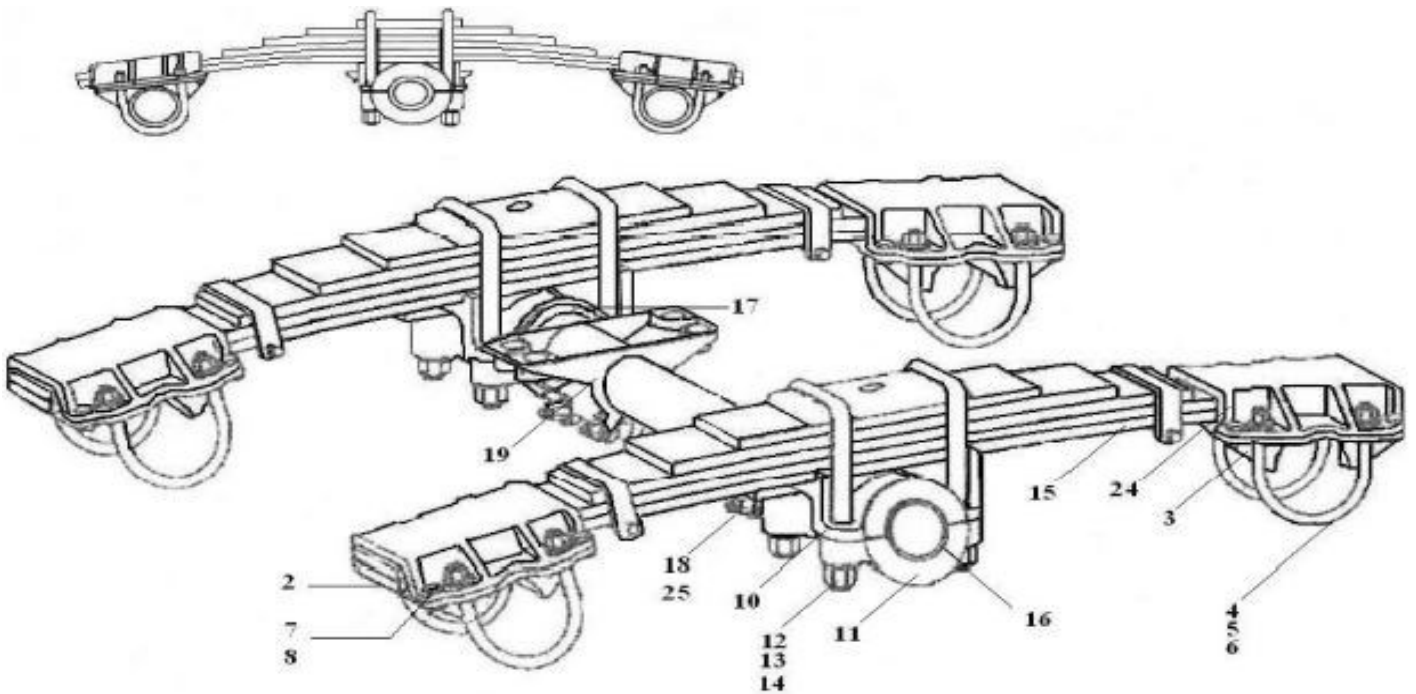


# Hutchens Industries

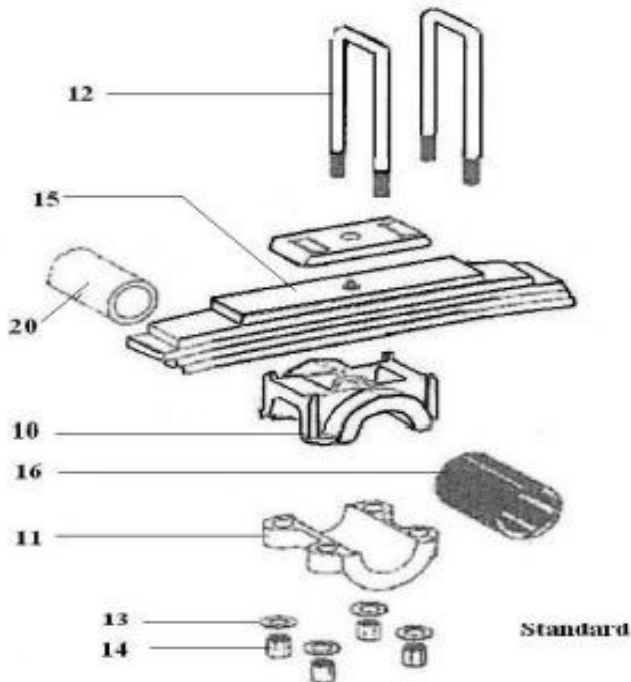


# SUSPENSION PARTS CATALOG

## HUTCH 900-50K SUSPENSION

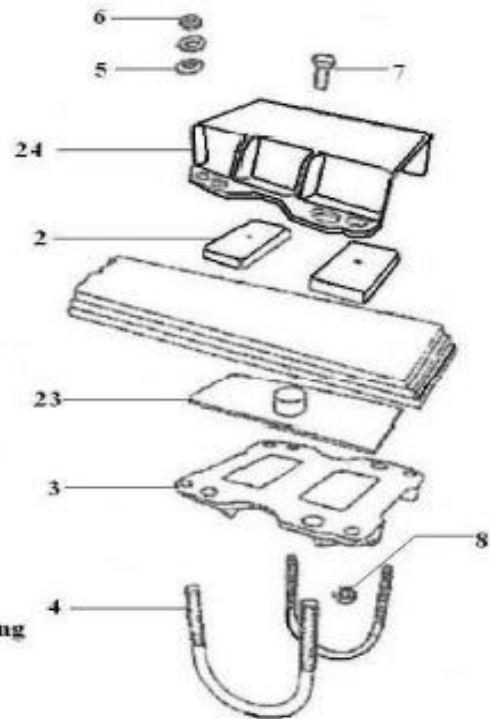


### Trunnion Center Assembly



Standard

### Spring End Assembly



Overstung



# SUSPENSION PARTS CATALOG

## HUTCH 900-50K SUSPENSION Parts List

NO.	Part#	Qty	Item	Vendor#
2	515-05005-08	8	Axle Pad (Rubber)	81400
3	515-05002-08	4	Spring Seat (5" Round Axle)	9934-02
	515-05003-08	4	Spring Seat (5" Square Axle)	
4	515-05006-08	8	Axle U-Bolt (5" Round Axle)	1006001
	515-05007-08	8	Axle U-Bolt (5" Square Axle)	1006302
5	540-11000-12	16	3/4" USS Hex Nut	84100
6	540-02000-12	32	3/4" Flat Washer	81700
7	540-14000-10	16	5/8" USS Lock Nut	1151303
8	540-15020-10	16	5/8" x 2" USS Hex Head Bolt	929300
9	515-05008-08	2	Trunnion Cast Top Plate	964000
10	515-05009-08	2	Trunnion Hub Top Half	89100
11	515-05010-08	2	Trunnion Hub Lower Half	89800
12	515-05011-08	4	1-1/8" x 13-15/16" Trunnion U-Bolt 3 & 7 Leaf Spring	963903
	515-05012-08	4	1-1/8" x 15-1/2" Trunnion U-Bolt 9 leaf Spring	963905
13	515-05011-16	8	1-1/8" SEA Washer	83700
14	540-06000-17	8	1-1/8" SEA High Nut (Grade 8)	
15	516-25258-08	2	3 Leaf Spring Assembly	1225801
	516-25999-08	2	7 Leaf Spring Assembly	999900
	516-25101-08	2	9 Leaf Spring Assembly	1000100
16	515-05015-08	2	Rubber Trunnion Bushing	89000
17	515-05019-08	2	1/4" x 6" Spacer	
18	540-05045-12	4	3/4" x 4-1/2" SAE Hex Head Bolt	
19	515-05018-08	2	Trunnion Hanger 8-1/2" Height	84901
20	515-05016-08	1	3/4" Trunnion Tube	89302
23	515-05004-08	4	Alignment Plates	1060800
24	515-05001-08	4	Spring End Cap	993700
25	540-01000-12	4	3/4" SAE Hex Nut	36366

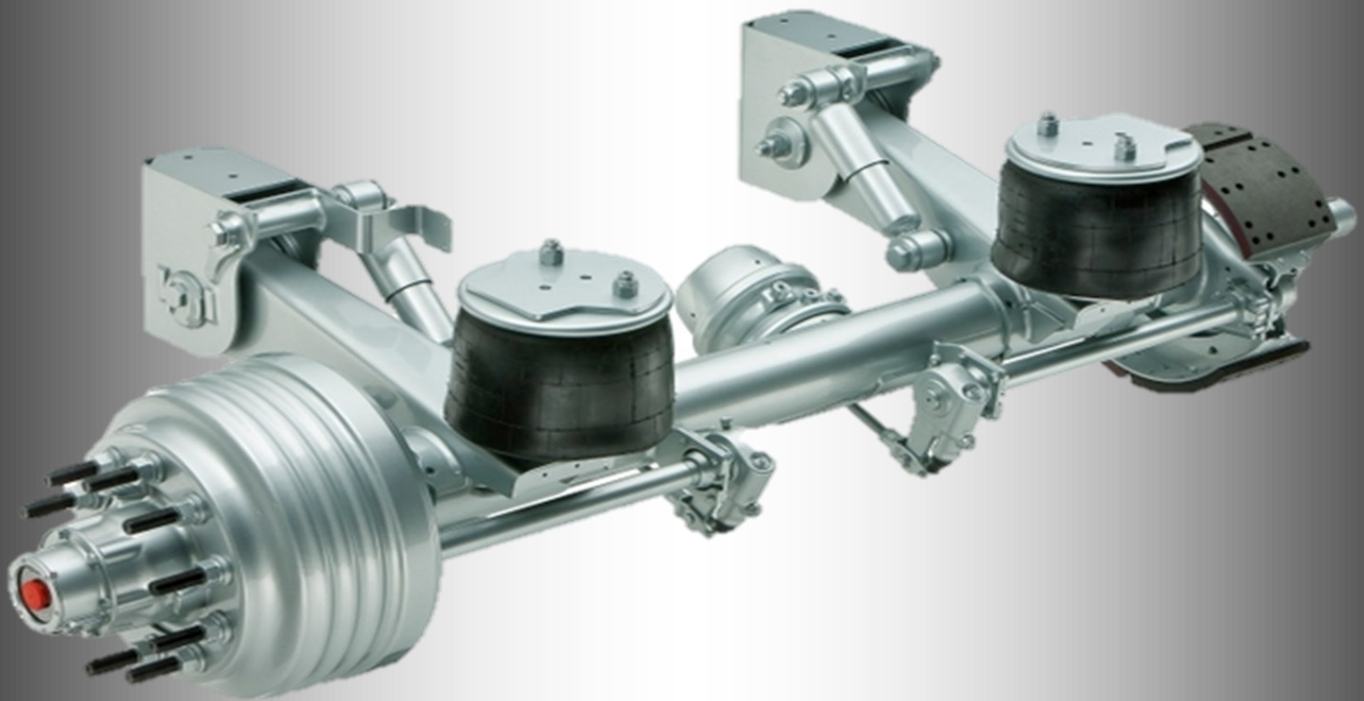


# *SUSPENSION PARTS CATALOG*

## *MERITOR RFS 23T/ 25T SUSPENSIONS*

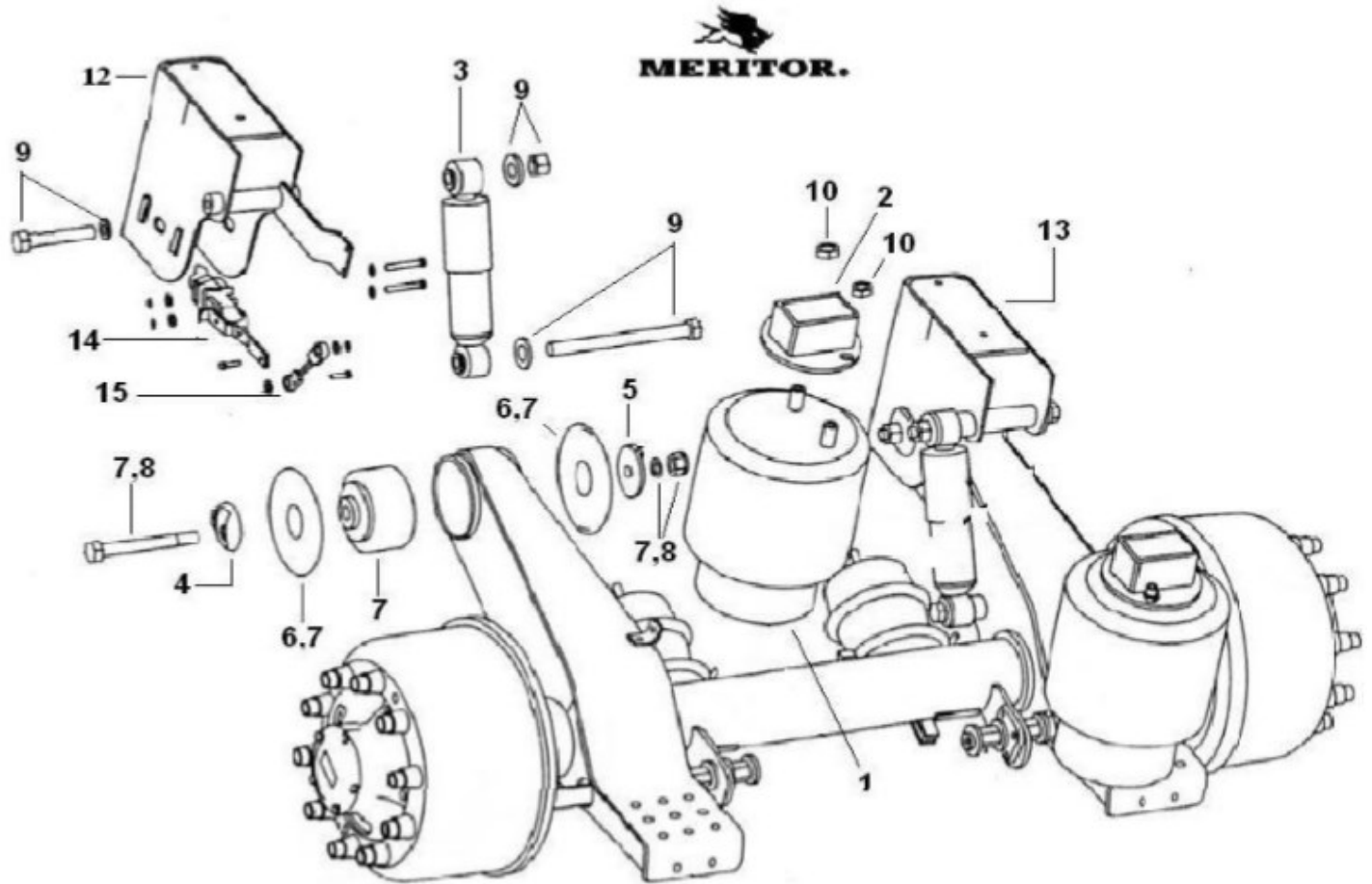


**MERITOR**

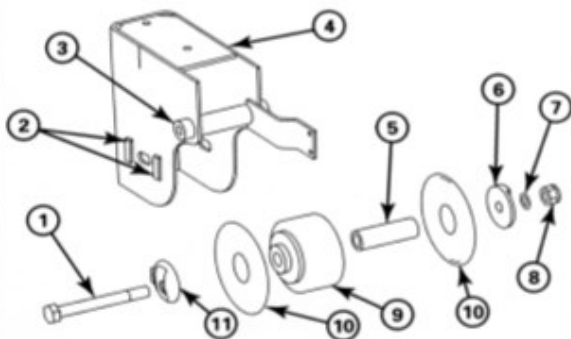


# SUSPENSION PARTS CATALOG

## MERITOR RFS 23T SUSPENSION



**ITEM IDENTIFICATION ONLY FOR PIVOT & ALIGNMENT**



- 1 7/8"-9 GRADE 8 PIVOT BOLT, LENGTH VARIES
- 2 ALIGNMENT BLOCKS
- 3 SHOCK MOUNTING TUBE
- 4 ROADSIDE HANGER ASSEMBLY
- 5 BUSHING INSERT
- 6 CONCENTRIC ALIGNMENT COLLAR
- 7 7/8" FLAT WASHER
- 8 7/8"-9 GRADE C LOCK NUT
- 9 MULTI-FUNCTIONAL BUSHING
- 10 WEAR WASHER
- 11 ECCENTRIC ALIGNMENT COLLAR





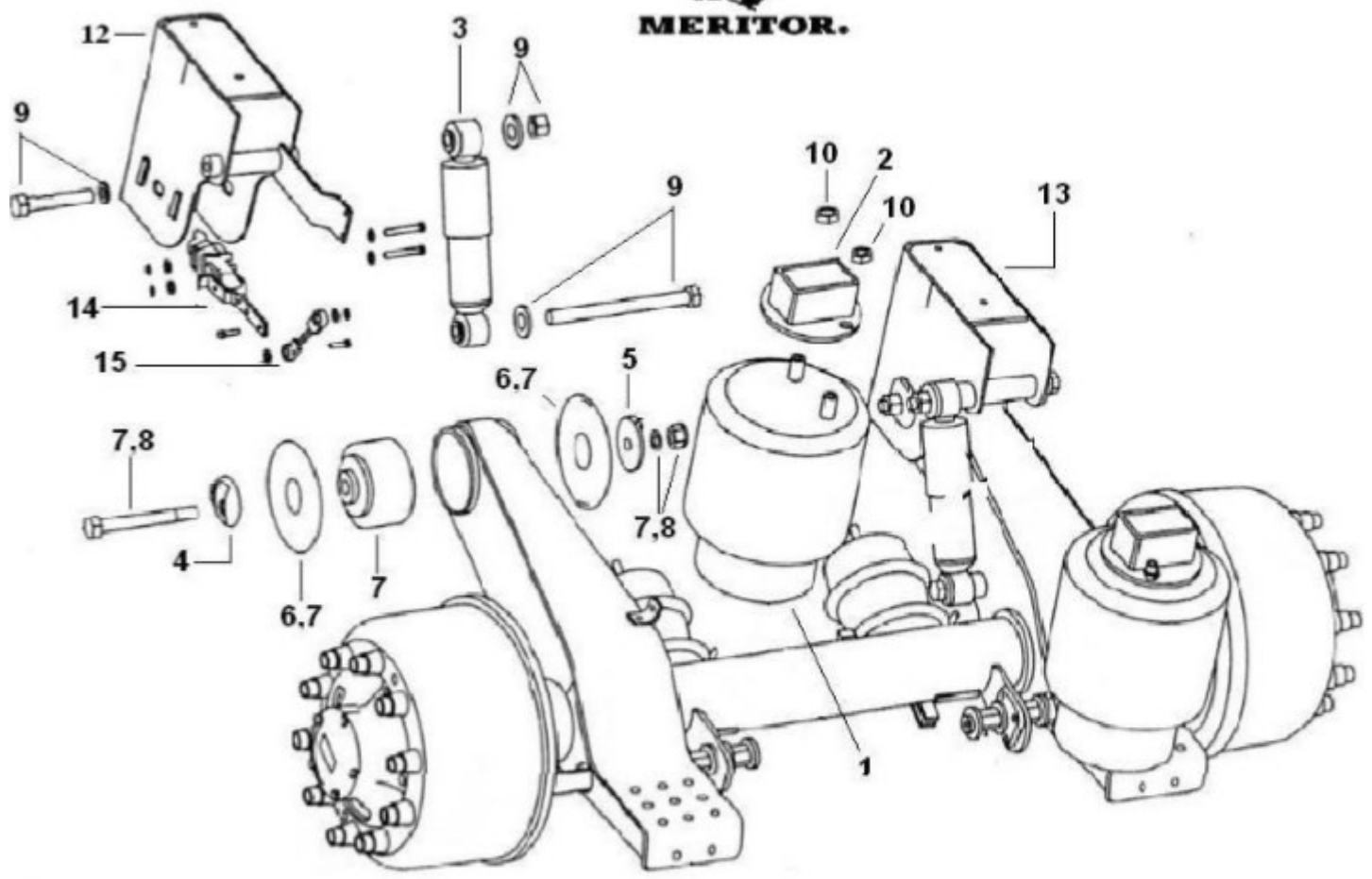
# SUSPENSION PARTS CATALOG

## MERITOR RFS 23T SUSPENSION PARTS LIST

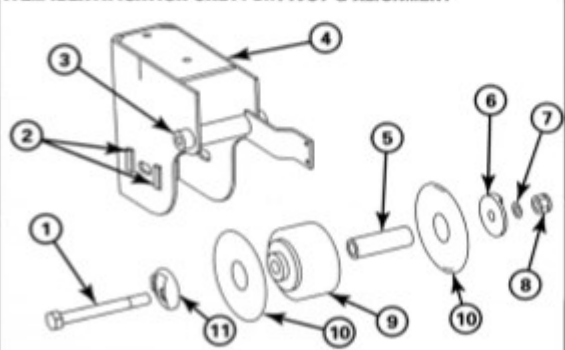
NO.	Part #	QTY	Item	Vendor #
1	518-05001-18	2	RFS 230 Air Spring	21227742 (FS 6231)
2	517-05007-18	2	14" Ride Height Pedestal	A3305-M-1651
	517-05002-18	2	16" Ride height Pedestal	A3150-W-2675
3	517-05001-18	2	Shock Absorber 14"-16" Ride Height	87015
4	517-05003-18	2	Eccentric Alignment Collar	21226276
5	517-05004-18	2	Concentric Alignment Collar	21226275
6	517-05005-18	4	Nylon Wear Washer	21226663
7	517-05006-18	2	Pivot Bushing Kit W/ Pivot Bolt Kit	11201
8	517-05013-18	2	Alignment Pivot Bolt Kit	11202
9	517-05011-18	2	Shock Bolt Kit	11200
10	517-05012-18	2	Air Spring Bolt Kit	11203
12	517-15723-18	1	14" Ride Height Bolt On Hanger Roadside/LH	A-3152-Y-1169
	517-15727-18	1	15" Ride height Bolt On Hanger Roadside/LH	A1-3152-Y-1169
	517-15725-18	1	16" Ride height Bolt On Hanger Roadside/LH	A2-3152-Y-1169
	517-15729-18	1	17" Ride height Bolt On Hanger Roadside/LH	A3-3152-Y-1169
13	517-15724-18	1	14" Ride height Bolt On Hanger Curbside/RH	A-3152-X-1168
	517-15728-18	1	15" Ride height Bolt On Hanger Curbside/RH	A1-3152-X-1168
	517-15726-18	1	16" Ride height Bolt On Hanger Curbside/RH	A2-3152-X-1168
	517-15730-18	1	17" Ride height Bolt On Hanger Curbside/ RH	A3-3152-X-1168
14	510-15001-18	1	Suspension Height Control Valve W/Auto Dump	A7806Z1014
	510-25007-14	1	Suspension Height Control Valve (Haldex)	90554183
15	510-15188-14	1	Height Control Valve Linkage Arm Assembly	48100225

# SUSPENSION PARTS CATALOG

## MERITOR RFS 25T SUSPENSION



ITEM IDENTIFICATION ONLY FOR PIVOT & ALIGNMENT



- 1 7/8"-9 GRADE 8 PIVOT BOLT, LENGTH VARIES
- 2 ALIGNMENT BLOCKS
- 3 SHOCK MOUNTING TUBE
- 4 ROADSIDE HANGER ASSEMBLY
- 5 BUSHING INSERT
- 6 CONCENTRIC ALIGNMENT COLLAR
- 7 7/8" FLAT WASHER
- 8 7/8"-9 GRADE C LOCK NUT
- 9 MULTI-FUNCTIONAL BUSHING
- 10 WEAR WASHER
- 11 ECCENTRIC ALIGNMENT COLLAR



# SUSPENSION PARTS CATALOG

## MERITOR RFS 25T SUSPENSION PARTS LIST

NO.	Part #	QTY	Item	Vendor #
1	518-05002-18	2	RFS 250 Air Spring (Firestone-6258)	212278922
2	517-05007-18	2	14" Ride Height Pedestal	A3305-M-1651
	517-05002-18	2	16" Ride height Pedestal	A3150-W-2675
3	517-05001-18	2	Shock Absorber 15"-17" Ride Height	87015
4	517-05003-18	2	Eccentric Alignment Collar	21226276
5	517-05004-18	2	Concentric Alignment Collar	21226275
6	517-05005-18	4	Nylon Wear Washer	21226663
7	517-05008-18	2	Pivot Bushing Kit W/ Pivot Bolt Kit	11205
8	517-05014-18	2	Alignment Pivot Bolt Kit	11204
9	517-05011-18	2	Shock Bolt Kit	11200
10	517-05012-18	2	Air Spring Bolt Kit	11203
12	517-15623-18	1	14" Ride Height Bolt On Hanger Roadside/LH	A-3152-V-1166
	517-15627-18	1	15" Ride height Bolt On Hanger Roadside/LH	A1-3152-V-1166
	517-15625-18	1	16" Ride height Bolt On Hanger Roadside/LH	A2-3152-V-1166
	517-15629-18	1	17" Ride height Bolt On Hanger Roadside/LH	A3-3152-V-1166
13	517-15624-18	1	14" Ride height Bolt On Hanger Curbside/RH	A-3152-W-1167
	517-15628-18	1	15" Ride height Bolt On Hanger Curbside/RH	A1-3152-W-1167
	517-15626-18	1	16" Ride height Bolt On Hanger Curbside/RH	A2-3152-W-1167
	517-15630-18	1	17" Ride height Bolt On Hanger Curbside/ RH	A3-3152-W-1167
14	510-15001-18	1	Suspension Height Control Valve W/Auto Dump	A7806Z1014
	510-25007-14	1	Suspension Height Control Valve (Haldex)	90554183
15	510-15188-14	1	Height Control Valve Linkage Arm Assembly	48100225

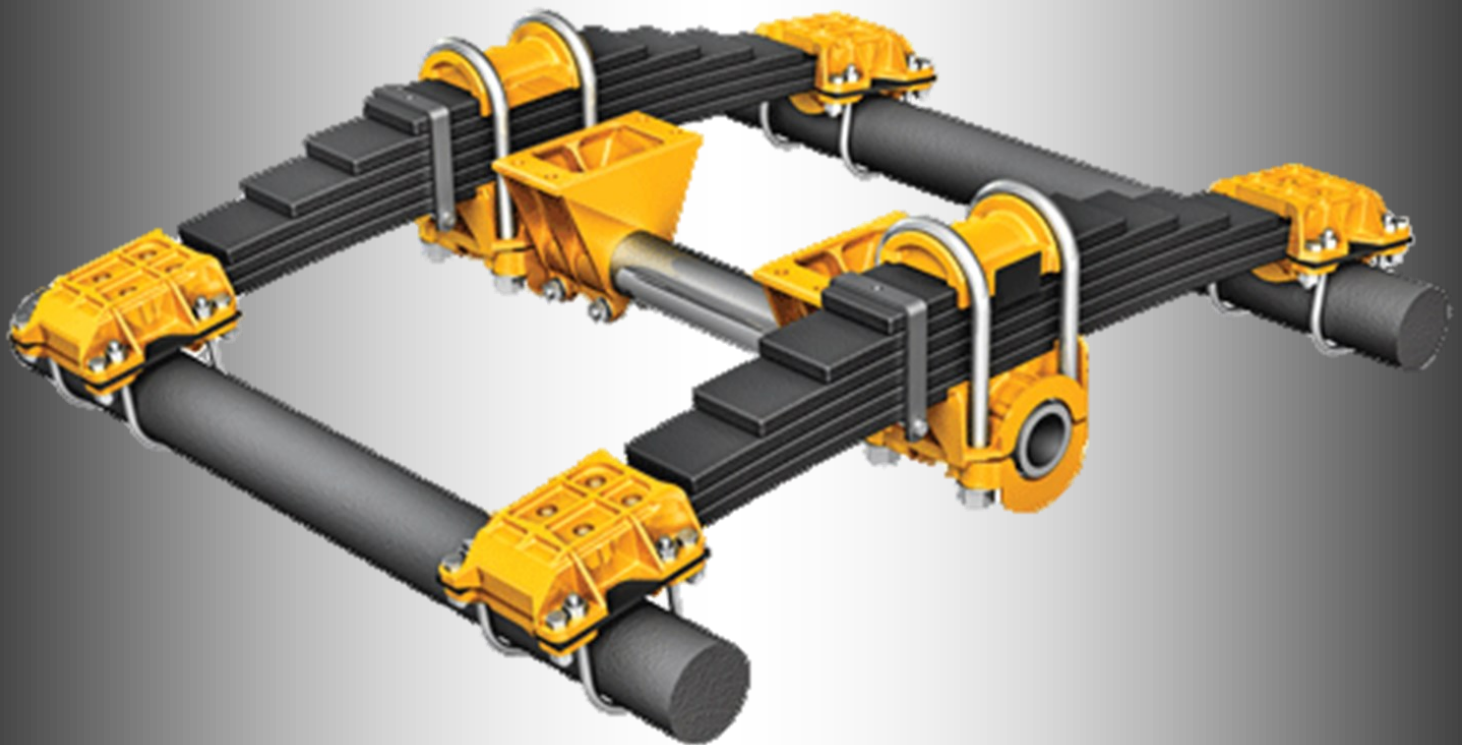


# *SUSPENSION PARTS CATALOG*

*NEWAY TS-4440, 5500, 5600 SERIES*

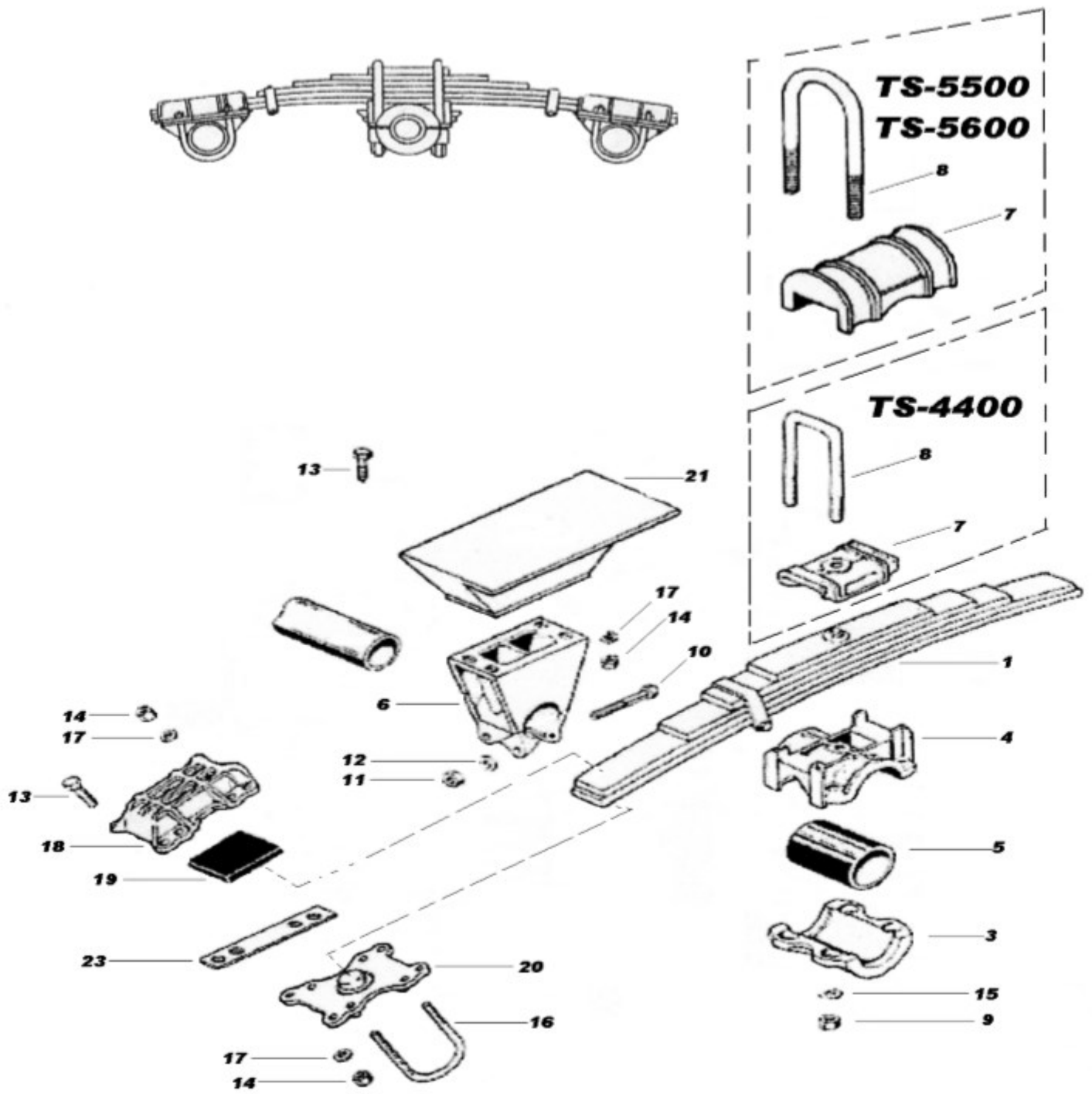
# **NEWAY**

**SAF-HOLLAND Group**



# SUSPENSION PARTS CATALOG

## NEWAY TS-4440, 5500, 5600 SERIES





# SUSPENSION PARTS CATALOG

## NEWAY TS-4440, 5500, 5600 SERIES Parts List

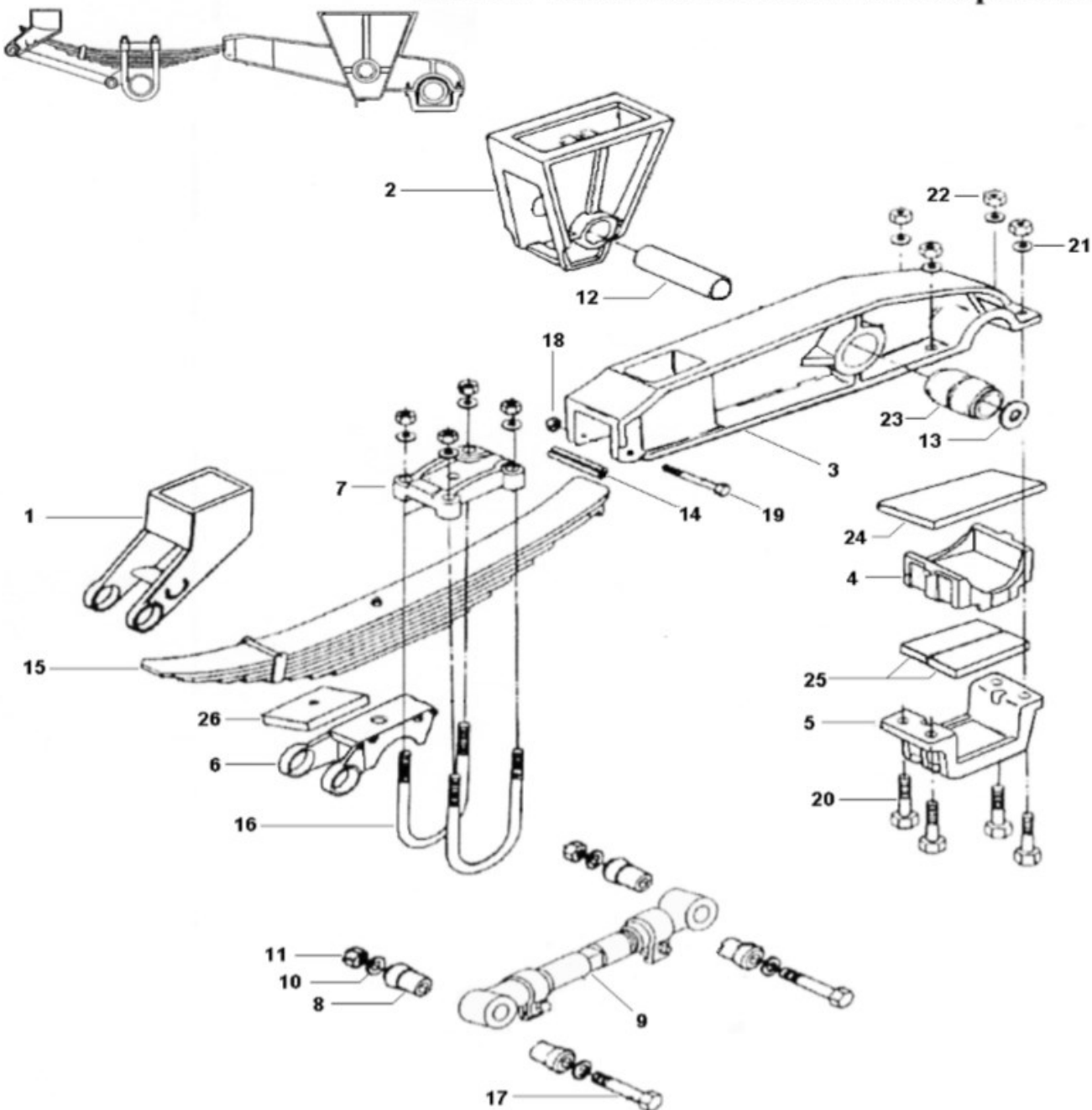
NO.	Part #	QTY.	Item	Vendor #
1	516-15272-14	2	5"Wide, 5 Leaf Main Spring (TS-4400)	91557272
	516-15273-14	2	5" wide, 5 Leaf Main Spring (TS-5500)	91557273
	516-15277-14	2	5"Wide, 7 Leaf Main Spring (TS-5600)	91557277
2	515-05027-14	1	4"OD X 1/2" Wall Trunnion Tube	91038004
3	515-05028-14	2	Trunnion Hub Lower Half	91010047
4	515-05029-14	2	Trunnion Hub Upper Half	91001051
5	515-05030-14	2	Trunnion Rubber Bushing	91008022
6	515-05031-14	2	Trunnion Clamp Casting	91001058
7	515-05046-14	2	Top Spring Plate (TS-4400) Square	91001058
		2	Top Spring Plate (Ts-5500, TS-5600) Round	91001022
8	515-05048-14	4	1-1/8" x 11" U-Bolt (TS-4400)	90042796
	515-05033-14	4	1-1/8" x 14" U-Bolt (TS-5500, TS-5600)	EU8186-16
9	515-05035-14	8	1-1/8" Hex Lock Nut	93400506
10	540-05045-12	4	3/4" x 4-1/2" Hex Head Bolt	
11	540-14000-12	4	3/4" USS Hex Lock Nut	
12	540-12000-12	4	3/4" USS Flat Washer	
13	540-15025-10	16	5/8" x 2-1/2" USS Hex Head Bolt	
14	540-14000-10	40	5/8" USS Hex Lock Nut	
15	515-05011-16	8	1-1/8" Flat Washer	91001034
16	515-05036-14	8	5/8" x 7-1/2" Axle U-Bolt	90041067
17	540-12000-10	40	5/8" USS Flat Washer	
18	515-05053-14	4	Spring End Cap	91010043
19	515-05039-14	4	Spring End Cap Rubber Pad	91028152
20	515-05062-14	4	Axle Locator Plate TS	91031055
21	515-05041-14	2	Frame Bracket Mount	91018008
23	515-05054-14	8	Spacer Plate	91031570
			Suspension Kits Without Axle Assemblies	
	515-25444-14	1	TS-4400 Round Axle Suspension Kit	TS-4400-4
	515-25550-14	1	TS-5500 Round Axle Suspension Kit	TS-5500-4
	515-25560-14	1	TS-5600 Round Axle Suspension Kit	TS-5600-4

# SUSPENSION PARTS CATALOG

## EAST—RHC 50K DUMP SUSPENSION

### RHC DUMP SUSPENSION

Designed uniquely for dump suspensions.  
Combines outstanding dumping stability  
and low maintenance cost in one suspension.





# SUSPENSION PARTS CATALOG

## EAST—RHC 50K DUMP SUSPENION PARTS LIST

NO.	Part #	QTY	Item #	Vendor #
1	515-05101-05	2	Front Spring Hanger	CS-05600
2	515-05633-05	2	Trunnion Hanger	CS-30010
3	515-15129-05	2	Equalizing Beam (With Installed Bushing)	
4	515-05655-05	2	Axle Adapter 5' round Axle <b>(Obsolete)</b>	
5	515-05666-05	2	Rear Axle Connection Cap	CS-5666
6	515-15677-05	2	Axle Spring Seat Adapter	
7	515-05688-05	2	Spring Top Plate	
8	515-05515-05	8	Torque Arm Bushing <b>(Kit 515-15494-05)</b>	E-1982
9	515-15110-05	2	Adjustable Torque Arm	E-2295
10	515-05305-05	8	Compression Washer <b>(Kit 515-15494-05)</b>	SR1010
11	540-14000-16	8	Torque Arm Lock Nut <b>(Kit 515-15494-05)</b>	37278
12	515-05766-05	2	Trunnion Beam Shaft <b>(Kit 515-15492-05)</b>	
13	545-05015-00	4	Weld On Retainer Washer 3/8" <b>(Kit 515-15492-05)</b>	
14	515-05777-06	2	Spring Roller Pipe	
15	516-25092-04	2	9 Leaf Main Spring	TRA 3004
16	515-15035-05	4	Axle U-Bolts With Hardware	E-UB5165-14
17	540-15065-16	4	Grade 8 Connection Bolt <b>(Kit 515-15494-05)</b>	SR1009
18	540-04000-08	2	Spring Roller Lock Nut	
19	540-05055-08	2	Spring Roller Bolt	
20	540-14000-12	8	Axle Connection Bolt <b>(Kit 515-15491-05)</b>	
21	515-05209-05	8	Axle Connection Washer <b>(Kit 515-15491-05)</b>	
22	515-05208-05	8	Axle Connection Lock Nut <b>(Kit 515-15491-05)</b>	
23	515-05500-05	2	Trunnion Beam bushing <b>(Kit 515-15492-05)</b>	486-24
24	515-05505-05	2	Axle Wrap Pad <b>(Kit 515-15491-05)</b>	250-166
25	515-05510-05	4	Axle Cap Rubber Pad <b>(Kit 515-15491-05)</b>	245-166
26	515-05690-05	2	1-1/4" Axle Spacer <b>(Obsolete)</b>	

515-15493-05 Complete Re-bushing Kit (Includes Kit # 515-15492-05, 515-15494-05, and 515-15491-05) Listed Above

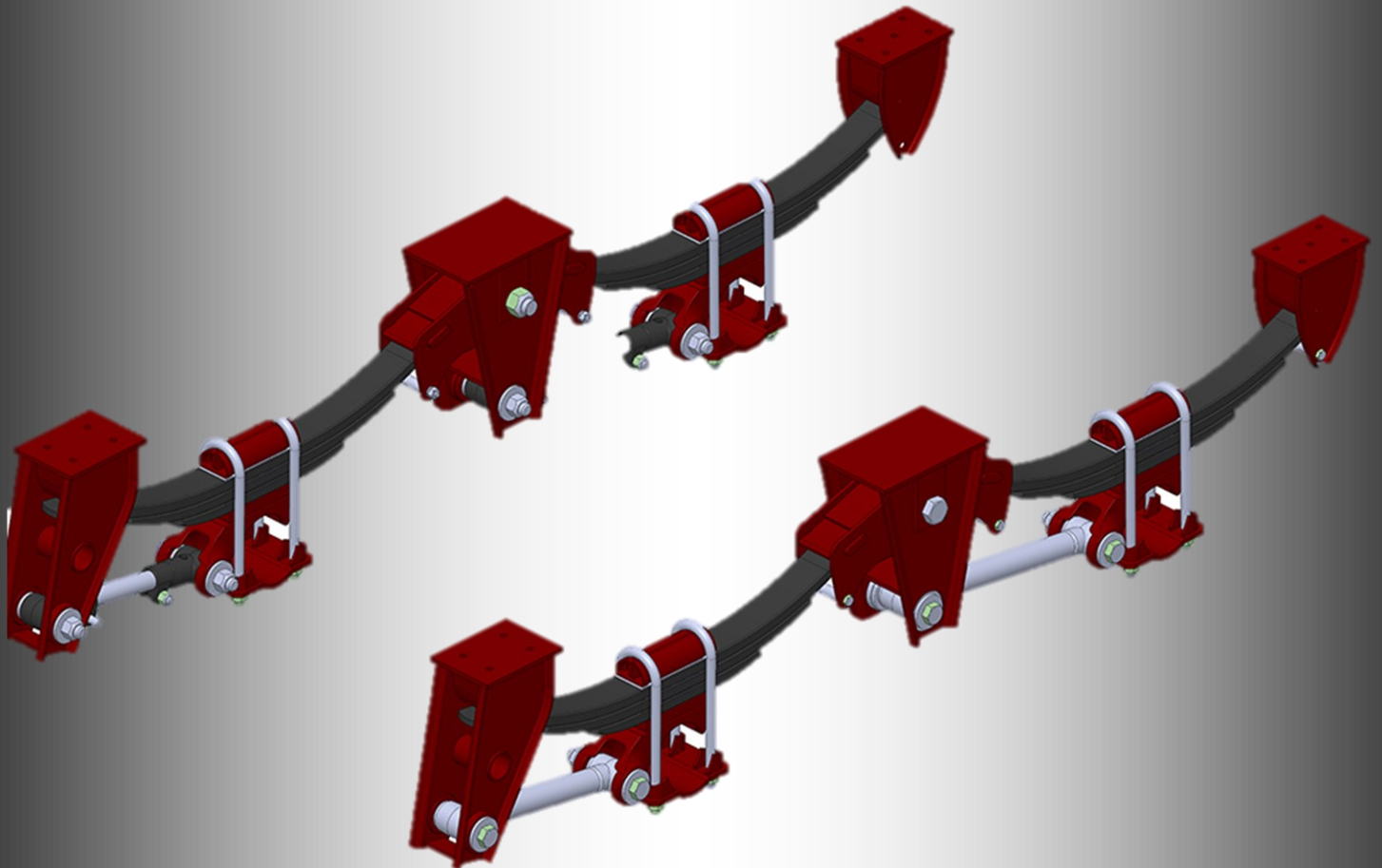




# *SUSPENSION PARTS CATALOG*

## *REYCO/GRANNING 21B SPRING RIDE*

**Reyco.**  
**Granning**

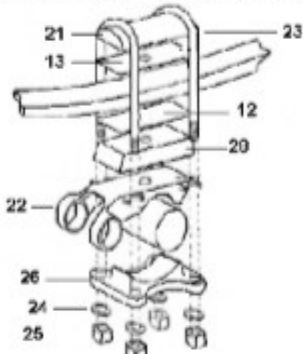


# SUSPENSION PARTS CATALOG

## REYCO/GRANNING 21B SPRING RIDE



**Example shows inverted u-bolts**





# SUSPENSION PARTS CATALOG

## REYCO/GRANNING 21B SPRING RIDE PARTS LIST

NO.	Part#	QTY	Item	Vendor
1	515-05000-18	1	Front Hanger Passenger (2002 and Prior)	T5562
	515-05001-18	1	Front Hanger Driver (2002 and Prior)	T5563
1a	515-05100-18	2	Front Hanger Universal (After 2002-Current)	20478-01
2	515-05002-18	1	Rear Hanger Passenger (2002 and Prior)	T5566
	515-05003-18	1	Rear Hanger Driver (2002 and Prior)	T5565
2a	515-05101-18	2	Rear Hanger Universal (2002-Current)	20476-01
3	030-10018-00	4	Spring Hanger Wear Pad	
4	515-05004-18	2	Center Spring Hanger	T5564
5	515-05005-18	2	Spring Hanger Equalizer	T5427
6	030-10019-00	4	Equalizer Reinforcement Caps	
	<b><u>515-15506-18</u></b>		<b><u>Equalizer Bushing Kit</u></b>	<b><u>TK12506</u></b>
7	515-05025-18	2	Equalizer Shaft	
8	515-05024-18	4	Equalizer Bushing	T5524
9	515-05022-18	4	Equalizer Compression Washer	
10	540-03000-12	4	3/4" Lock Washer	
11	515-05023-18	4	Equalizer Bolts	
12	516-05002-18	4	Stainless Wear Pad <b>(Obsolete)</b>	
13	516-05001-23	4	wear Pad With Holes <b>(Obsolete)</b>	
	<b><u>515-15319-18</u></b>		<b><u>Torque Arm Bushing Kit</u></b>	<b><u>TK7319</u></b>
14	515-05019-18	16	torque Arm Bushing	
15	515-05007-18	16	Torque Arm Compression Washer	
16	515-0502018	8	Torque Arm Bolt	
17	515-05021-18	8	Torque Arm Lock Nut	
18	515-05009-18	1	Short Adjustable Torque Arm (Front Left)	15172-01
	515-05010-18	1	Long Adjustable Torque Arm (Rear Left)	15173-01
19	515-05011-18	1	Short Ridged Torque Arm (Front Right)	15178-01
	515-05008-18	1	Long Ridged Torque Arm (Rear Right)	15179-01



# SUSPENSION PARTS CATALOG

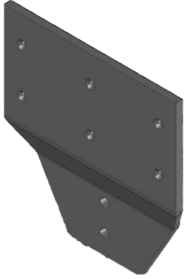
## REYCO/GRANNING 21B SPRING RIDE PARTS LIST Cont.

NO.	Part#	QTY	Item	Vendor
20	516-25303-23	4	Single Leaf HD Spring 49" Axle Spacing	TRA 038
	516-05297-18	4	Single Leaf HD Spring 44" Axle Spacing	TRA 035
	516-25564-18	4	3 Main 8 Leaf Multi Spring	T3564
21	515-05026-18	4	Top Plate 5" U-Bolt Under Mount	T7175
	515-05040-18	4	Top Plate inverted U-Bolt mount	08677-01
22	515-05032-18	4	3/4" Axle Seat (Multi Leaf Spring)	09730-01
	515-05033-18	4	3-1/4" Axle Seat (Single Leaf Spring)	08060-01
23	515-05035-18	4	17-1/2" x 5-1/4" x 7/8" U-Bolt Kit Undermount	08523-01
	515-05045-18	4	17-1/2" X 3" x 7/8" Inverted U-Bolt Kit (Multi Spring)	UB5161-18
	515-05114-18	4	14" X 3' X 3/4" Inverted U-Bolt (HD Single Leaf Spring)	8R783146
			<b>All U-Bolt Kits include items 24 and 25</b>	
26	515-05043-18	4	Bottom Plate Inverted U-Bolt 5" Round Axle	09139-01
28	515-05031-18	2	2-1/2" Axle Seat Spacer	T7674
	515-05030-18	2	2" Axle Seat Spacer	T7655
	515-05029-18	2	1-1/2" Axle Seat Spacer	24082-01
	515-05028-18	2	1" Axle Seat Spacer	24081-01
	515-05027-18	2	1/2" Axle Seat Spacer	T7555
29	515-15911-18	3	Spring Roller Kit <b>(Includes items 29-32)</b>	TK19011
33	554-05083-00	1	Hanger Pipe 1-1/2" X 34" Center Hanger 96"W	
	554-05083-01	1	Hanger Pipe 1-1/2" X 40" Center Hanger 102"W	
	554-05083-02	2	Hanger Pipe 1-1/2" X 48-5/8" Front and Rear Hangers	

# SUSPENSION PARTS CATALOG

## REYCO 21B SPRING RIDE Mounting Plates

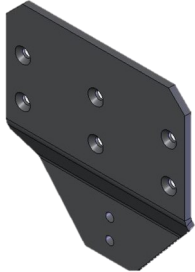
### ALUMINUM FRAME MOUNTING PLATES



**030-10013-01 (Used Prior to June 2007)**

**Front Mounting Plate**

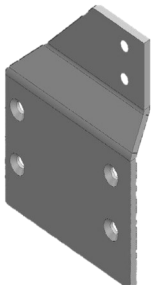
**Previous Version RHC / Reyco Mounting Plate, 6 Main Mounting Holes 90 deg Corners.**



**030-10014-01 (Used Prior to June 2007)**

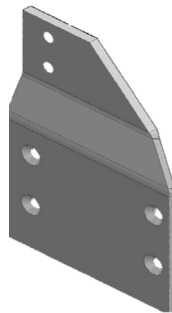
**Center Mounting Plate**

**Previous Version RHC / Reyco Mounting Plate, 6 Main Mounting Holes, Notched Corners.**



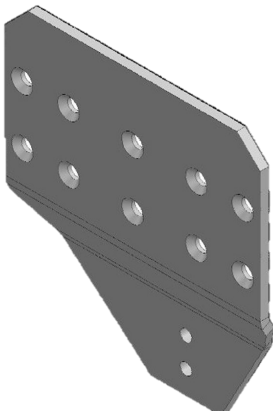
**030-10015-01**

**D/S Rear Mounting Plate**



**030-10016-01**

**P/S Rear Mounting Plate**

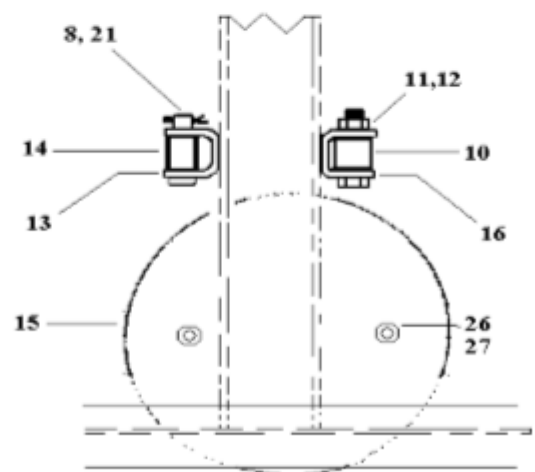
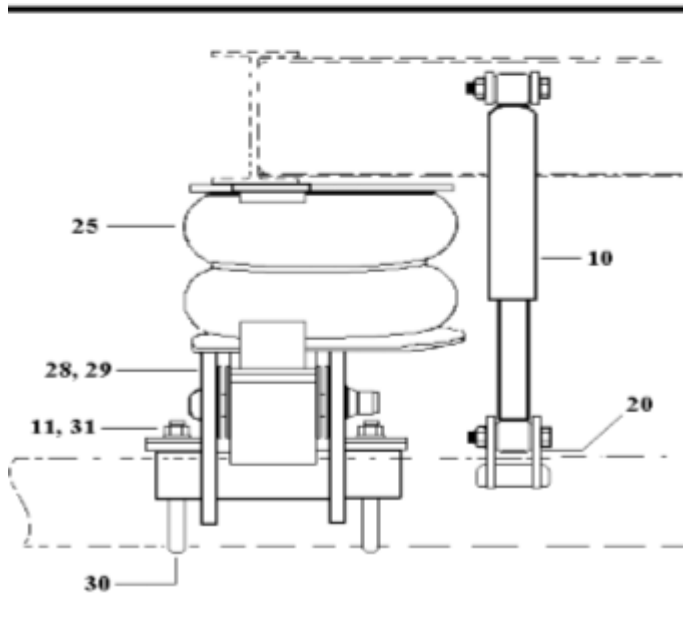
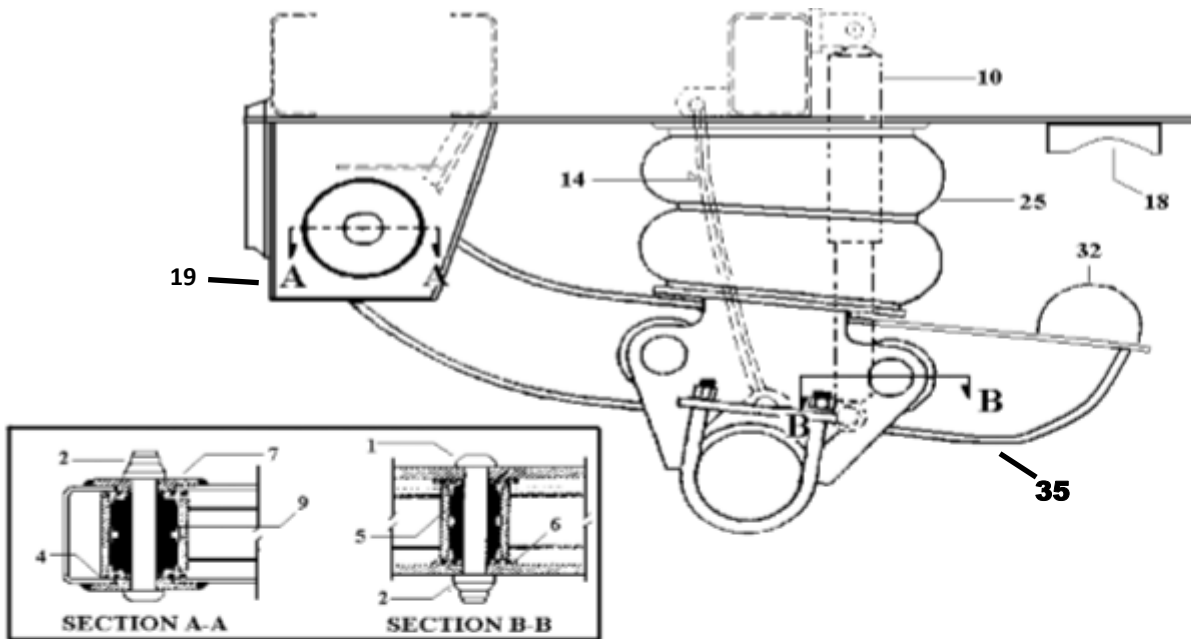


**030-10088-00 (Used June 2007 to Current())**

**Current OEM, Center and Front Mounting Plate, 10 Bolt Main Pattern.**

# SUSPENSION PARTS CATALOG

## W&C TA-5000 Series Suspension





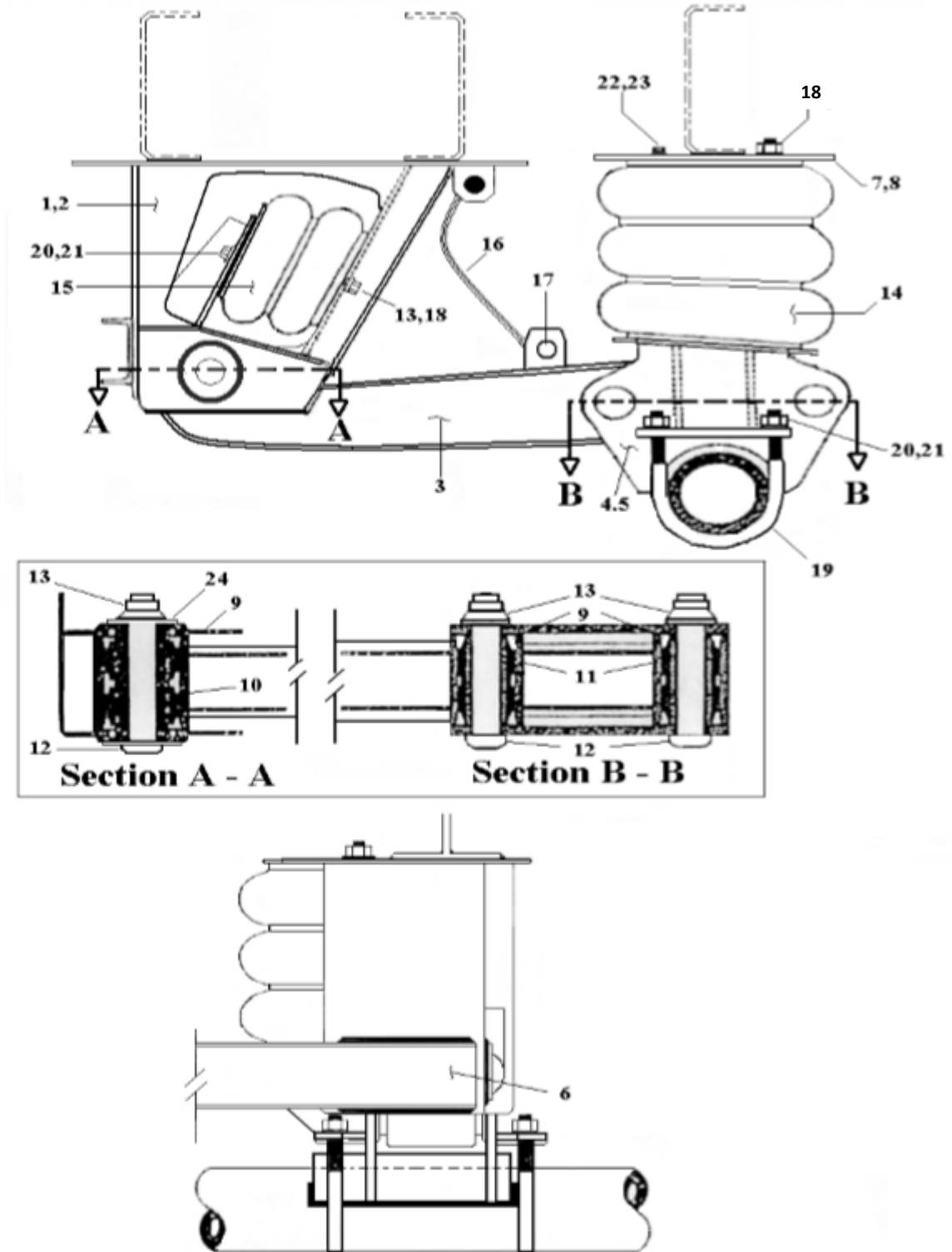
# SUSPENSION PARTS CATALOG

## W&C TA-5000 Series Suspension Parts List

NO.	Part#	QTY	Item	Vendor#
	Section A-A		Pivot Connection <b>Items 1,2,4 and 9</b>	
	517-05011-23	1	Pivot Connection Bushing Kit	SRK-11
	Section B-B		Axle Connection <b>Items 1,2,5, and 6</b>	
	517-05010-23	1	Axle Connection Bushing Kit	SRK-10
7	517-05505-23	4	Alignment Collars	11721
8	542-08532-17	4	.75 Cotter Pin	11363
10	517-05001-23	2	Shock Absorber	12128
11	540-01000-12	8	3/4"-16 SAE Grade 5 Hex Nut	
12	540-05035-12	4	3/4" X 3-1/2 SAE BOLT	
13	10134	2	Upper Limiter Bracket (Shock)	10134
14	517-05511-23	2	Shock Limiter Strap	11757
15	517-05508-23	2	Air Spring Plate	11770
16	517-05510-23	2	Shock Absorber Clevis Bracket	
18	10234	2	Upper Axle Stop Block	10234
19	920147-10z	2	Hanger Bracket Roadside / LH	920147-10z
	920147-20z	1	Hanger Bracket Curbside / R.H	920147-20z
20	10794	2	Lower Shock Bracket	10794
21	11364	2	Cotter Key	11364
22	11527	2	Front Suspension Frame Bracket Gusset	11527
25	518-05002-23	2	Air Spring / Air Bag	AS0032
26	540-02000-08	12	1/2" Lock Washer	
27	540-11000-08	12	1/2" SAE Grade 5 Hex Nut	
28	517-05759-23	1	Axle Seat Assembly Roadside / L,H	11759
29	517-05760-23	1	Axle Seat Assembly Curbside / R.H	11760
30	517-05502-23	4	3/4" Axle U-Bolt Kit <b>Items 30,31,and 11</b>	SP-0157K
31	540-11000-08	8	3/4" High Nut	
32	10240	2	Half Round Arm Stop <b>(Rear Axle Only)</b>	10240
33	517-05018-23	1	Lead Suspension Beam Assy. Roadside / L.H	11702-10
	517-05019-23	1	Lead Suspension Beam Assy. Curbside / R.H	11702-20
35	11708	2	Rear Suspension Beam Assembly	11708

# SUSPENSION PARTS CATALOG

## W&C TL-9000 Series Suspension







# SUSPENSION PARTS CATALOG

## W & C TL-9000 Series Parts List

NO.	Part #	QTY.	Item#	Vendor #
	Section A-A		Pivot Connection	
	517-05016-23	1	Pivot Connection Bushing Kit <i>Includes Items-9, 10,12,and 13</i>	SRK-1
	Section B-B		Axle Seat	
	517-05017-23	1	Axle Seat Bushing Kit <i>Includes Items 9, 11, 12 and 13</i>	SRK-2
1	920047-1	1	Roadside Hanger Assembly	920047-1
2	920047-2	1	Curbside Hanger Assembly	920047-2
3	12461	2	Trailing Arm Assemblies W/Bushing's	12461
4	12465	1	Roadside Axle Seat Assembly	12465
5	12466	1	Curbside Axle Seat Assembly	12466
6	12617	1	Support Crossmember 39"L	12617
7	51004-1	1	Upper Bag Plate Roadside / L.H.	51004-1
8	51004-2	1	Upper Bag Plate Curbside / R.H.	51004-2
14	518-05003-23	2	Ride Air Spring / Air Bag	AS0019
15	518-05006-23	2	Lift Air Bag <i>After 1994</i>	AS0058
	518-05001-23	2	Lift Air bag <i>Before 1994</i>	AS0035
16	517-05904-23	2	Limiter Strap	11342
17	16003	1	Limiter strap Pack	16003
18	540-11000-12	4	3/4" SAE Hex Nut	
19	517-05502-23	4	3/4" U-Bolt Kit <i>(Includes Items 19,20, 21)</i>	SP-0157K
20	540-11000-08	8	3/4"-13 SAE Hex Nut	
21	540-02000-08	8	3/4" SAE Lock Washer	
22	10038	6	3/4"-16 SAE X 1" Cap Screw	
23	540-02000-12	6	3/4" SAE Lock Washer	
24	517-05100-23	4	Alignment Collars	17234



# ***SUSPENSION PARTS CATALOG***

## ***Hendrickson TRL-Axle Assemblies***





# SUSPENSION PARTS CATALOG

## Hendrickson TRLAxle Assemblies

**Hendrickson Axles are a direct replacement for East OEM Axle Assemblies.**

<u>Item NO.</u>	<u>Description</u>	<u>Vendor NO.</u>
<b>Axle Assemblies</b>		
520-25513-20	71.5" for 96"W Chassis ,TP Axle Assy. 16.5"X7" Brakes 23K	TRLAXLE.7346
520-25514-20	77.5" for 102"W Chassis, TP Axle Assy. 16.5"X7" Brakes 23K	TRLAXLE.7347
520-25764-20	71.5" for 96"W Chassis, HN Axle Assy. 16.5"X7" Brakes 23K	TRLAXLE.9937
520-25767-20	77.5" for 102"W Chassis, HN Axle Assy. 16.5"X7" Brakes 23K	TRLAXLE.1786
<b>Brake Shoe Kits</b>		
Non Stock	Hendrickson ABEX H23 (2) Shoes and Hardware Kit	S-23753-3
537-05523-20	NEOBRAKE OEM QP4707 Direct Replacement	NB225
537-05145-00	NEOBRAKE Relined QP4707 Direct Replacement	
537-15769-00	Brake Hardware Kit	QK 1HD/E-2769

# SUSPENSION PARTS CATALOG

## After Market Axle Components

Part #	Description	Vendor NO.
<b>Hub Assemblies</b>		
521-15571-24	10 Stud Steel Piloted, Long Stud, TP/HP, Pre Loaded	Walther 59-00161-101
521-15551-24	10 Stud Steel Piloted, Lightweight TP/HP, Pre Loaded	Walther 59-00112-101
521-15551-03	10 Stud Aluminum Piloted, TP/HP, Pre Loaded	Con-Met 10082438
521-15772-24	10 Stud Steel Piloted, Long Stud, HN/TQ, Pre Loaded	Walther 59-00106-101
521-15751-24	10 Stud Steel Piloted, Lightweight, HN/TQ, Pre Loaded	Walther 59-00114-101
521-15751-03	10 Stud Aluminum Piloted. HN/TQ, Pre-Loaded	Con-Met 10082225
<b>Drum Assemblies</b>		
521-05700-24	16-1/2" x 7" Shoe, Steel Cast	Walther 03-00043
521-05996-13	16-1/2" x 7" Shoe, Lightweight	Stemco 89996B
521-05137-13	16-1/2" x 5' Shoe, Lightweight	Stemco 90137B
521-05702-24	15" x 4" Shoe Steel Cast (Composilite Susp.)	Walther 13-00098
<b>Hub Caps</b>		
531-05819-03	Standard Cup TQ/HN, 6 Hole	Dual Dynamic 106819
531-05870-03	P Hub, HP/TP, 6 Hole	Dual Dynamics 106870
<b>Wheel Seals</b>		
531-05527-03	Oil Bath Seal TQ/HN Hub	CR 46300
531-05463-03	Oil Bath Seal TP/HP Hub	CR 42627
<b>Slack Adjuster</b>		
537-05528-18	Meritor/Rockwell Auto Slack 5.5"x 28 SPL.	801073
<b>Drum Brake Chambers</b>		
537-25330-20	30/30 Brake Chamber 5-34" Rod (Std Meritor/ Rockwell Axle, Hendrickson TRLAXLE, AAL Intraax Susp.)	TSE 3030TN2 2572
537-25332-20	30/30 Brake Chamber 9-7/8' Rod (Meritor RFS Susp., AAT Intraax Susp.)	TSE 3030TN2 2573
<b>Wheel Nuts/ Spindle Nuts</b>		
521-05882-00	22mm Wheel Nut	Okabe WN33T
520-05377-13	Axi Lock Spindle Nut TP/HP	Maclean Fogg 111077
520-05251-13	Axi Lock Spindle Nut HN/TQ	Maclean Fogg 111051



# SUSPENSION PARTS CATALOG

## After Market Axle Components

### S-Cam And Bushing Kits

#### Rockwell Axles

537-05575-18	RH Camshaft 24-5/8"	E-5511
537-05576-18	LH Camshaft 24-5/8"	E-5510
537-15520-00	Re Bush Kit	E-3520



#### Meritor Axles/RFS Suspension

537-05575-18	RH Camshaft 24-5/8"	E-5511
537-05576-18	LH Camshaft 24-5/8"	E-5510
537-15520-04	Heavy Duty Bolt on cam Kit	E-9079



#### Dexter/ IMT Axles

537-05002-99	RH Camshaft 23-3/4"	E-5527
537-05003-99	LH Camshaft 23-3/4"	E-5526
537-15287-00	Camshaft Repair Kit	E-2287



#### Hendrickson Intraax

537-05636-20	LH Camshaft 11.02"	S-24636-1L
537-05637-20	RH Camshaft 11.02"	S-24636-1R
537-05974-20	Cam Kit PRE 2001	S-23974
537-05890-20	Cam Kit After 2001	S-28890



# SUSPENSION PARTS CATALOG

## Suspension Re-Bushing Kits

### RHC Suspension

- 515-15493-05 Complete Tandem Kit (Includes 3 kits listed below)
- 515-15492-05 Trunnion Connection Kit
- 515-15494-05 Torque Arm Connection Kit
- 515-15491-05 Axle Connection Kit

### Neway Suspensions

- 515-15033-14 Rubber Components and U-Bolts TS-5500
- 515-15136-14 Rubber Components and U-Bolts TS-4400
- 515-15137-14 Rubber Components and U-Bolts TS-5600

### Reyco 21B Suspension

- 515-15319-18 Tandem Torque Arm Kit TK7319
- 515-15506-18 Tandem Equalizer Kit TK12506

### Meritor RFS Suspensions

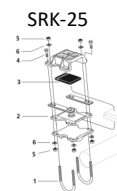
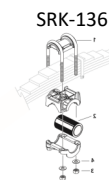
- 517-05006-18 Pivot Connection Kit RFS 23K (1 Arm) KIT 11201
- 517-05008-18 Pivot Connection Kit RFS 25K (1 Arm) KIT 11205

### Hendrickson Suspension

- 517-05679-20 Quick Align Pivot Bolt and Nut Kit S-24679
- 517-05804-20 Q/A Pivot Bolt Kit with Collars S-24680
- 517-05008-20 Weld Align Pivot Bolt Kit S-3646
  
- 517-15821-20 Weld Align Pivot Connection Kit (1 Arm) S-6914
- 517-15822-20 Q/A Pivot Bushing Kit (1Arm) S-24691
- 517-15833-20 Q/A Pivot Bushing Kit (1 Axle) S-28654  
(Kit includes 2 517-15822-20 kits and align collars)
  
- 517-05815-20 AANT 23K Pivot Bolt Kit (1 Arm) S-24705
- 517-15830-20 AANT 23K Pivot Bushing Kit (1 Axle) S-26321

### Watson and Chalin

- 517-05010-23 WCTA 5000 Axle Connection Kit (1 Axle) SRK10
- 517-05011-23 WCTA 5000 Pivot Connection Kit (1Axle) SRK11
  
- 517-05016-23 WCTL 9000 Pivot Connection Kit (1 Axle) SRK1
- 517-05017-23 WCTL 9000 Axle Connection Kit (1Axle) SRK2



TK7319



TK12506



11201



11205



S-24679



S-3646



S-24691



S-6914



S-24705



S-26321



SRK-10



SRK-11





# SUSPENSION PARTS CATALOG

## Additional Suspension Options

### Brake Dust Shields

#### Hendrickson

Part #	Item	Vendor #
520-05015-20	Hendrickson LDA Axle Tube With Air Disk Brakes	S-28570-4357
520-05014-20	Hendrickson LDA Axle 5-3/4" Tube (After 2012)	S-28500-1657
520-05013-00	Hendrickson 5" Axle Tube Intraax (Pre 2012)	S-25800-1650
520-28501-20	Dust shield Hardware Kit 5" AXLE	S-28501-500

#### Meritor

520-05000-18	Standard 5" Axle w/ 7" Brake Shoe	STN JE
520-05002-18	Dust Shield Kit for 5" Brake Shoe	KIT-8070
520-05002-18	Dust shield Kits 8-5/8" Brake Shoe	STN-JG

### Cam Cover Kits

537-05890-20	Hendrickson Cam Tube Kit Intraax	S-28890
537-05992-18	Meritor Cam Cover Kit	MPS-4992
520-05019-00	Cam Cover IMT /Dexter Axle	014R

099-05031-50 ANTI Corrosion Mounting Kit 5/8"

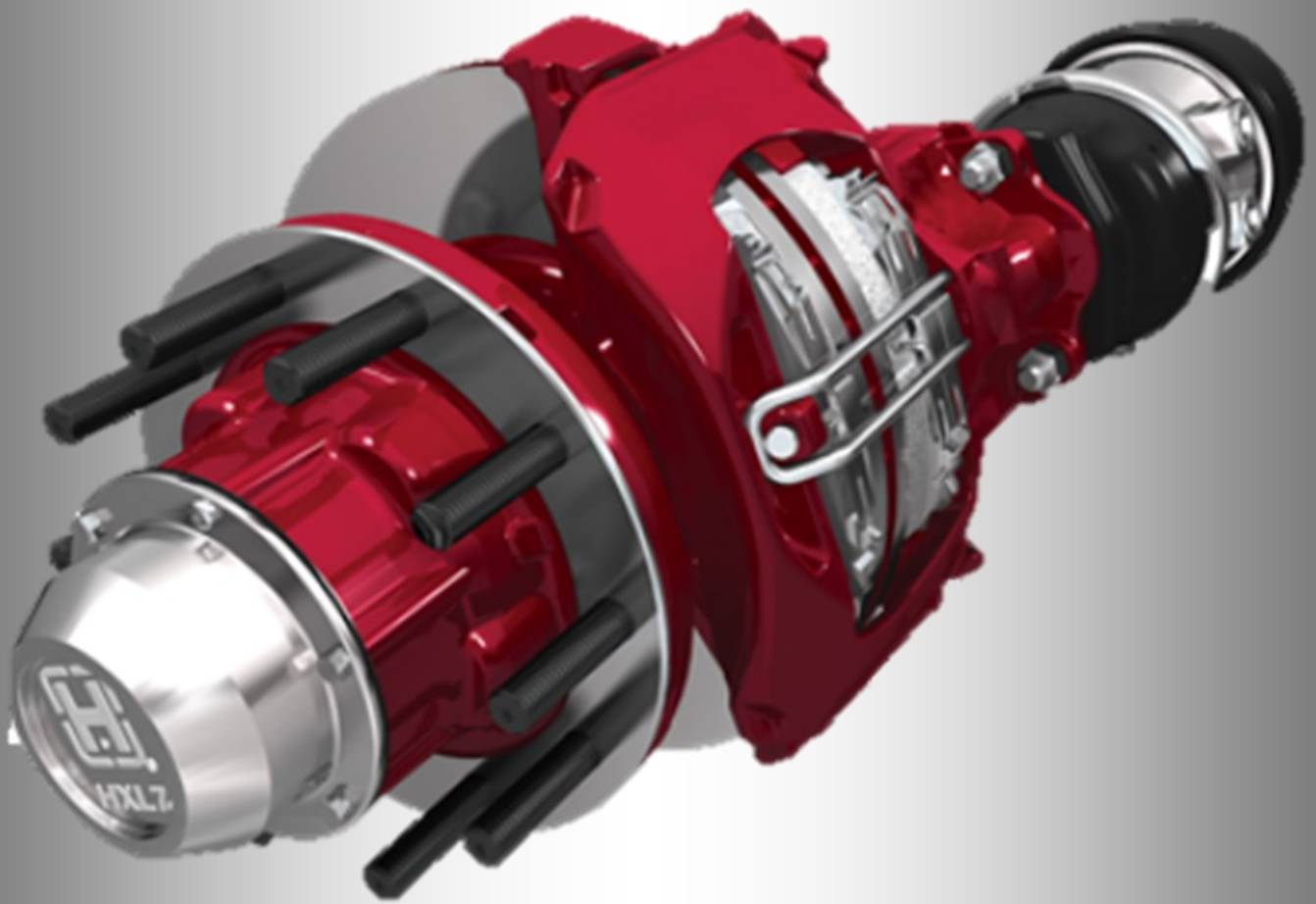
(Comes Complete with (14) 5/8" Shake Proof Bolts, Nuts, and Washers, (1) 24" x 45" HDPE Sheet,  
(1) 8oz ECK Corrosion Inhibitor and (1) Warning Lable)



# *SUSPENSION PARTS CATALOG*

## *Air Disk Brake Components*

# **AIR DISC BRAKES**







# SUSPENSION PARTS CATALOG

## Air Disk Brake Components

### Hendrickson Maxx 22

537-25652-20	L/H Caliper With Hardware	S-35973-L
537-25653-20	R/H Caliper With Hardware	S-35973-R
537-15677-20	Brake Pad Kit (4 Pads with Hardware)	S-35303-1
537-25700-20	Dura Light Rotor Only With Studs	S-37009-2
537-25701-20	Ductile Hub Rotor Only	S-38765
537-25446-20	TSE 18/24 Brake Chamber L/H	S-38264-L
537-25447-20	TSE 18/24 Brake Chamber R/H	S-38264-R

### Bendix Knorr ADB 22X

537-25647-20	L/H Caliper with Hardware	S-33647-2
537-25648-20	R/H Caliper with Hardware	S-33647-3
537-15152-20	Brake Pad Kit (4 Pads with Hardware)	S-29152-2
537-25651-20	Rotor Only 430MM	S-32193
537-25000-20	18/24 Brake Chamber R/H	S-38105-R
537-25001-20	18/24 Brake Chamber L/H	S-38105-L

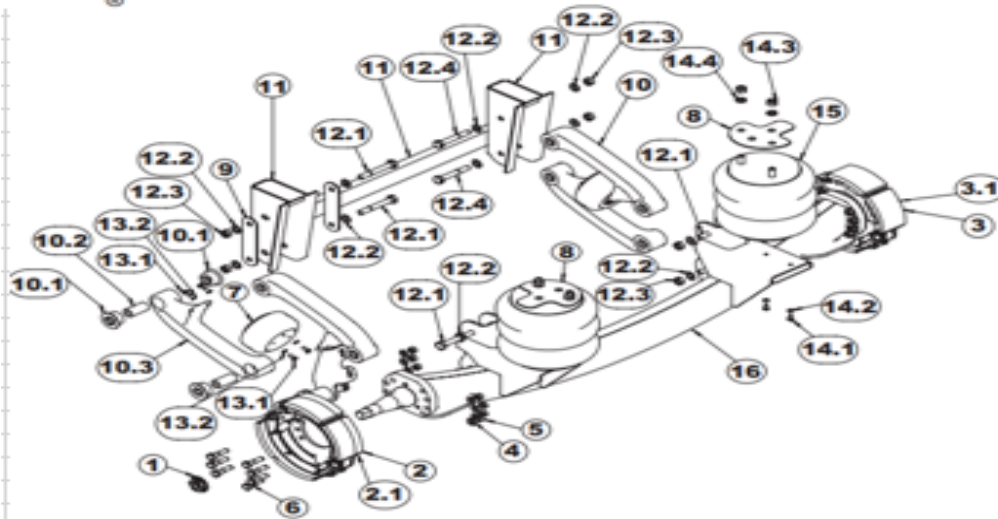
### Wabco Pan 22

537-25649-20	L/H Caliper with Hardware	S-33648-2
537-25650-20	R/H Caliper with Hardware	S-33648-3
537-15676-20	Brake Pad Kit (4 Pads with Hardware)	S-32676-1
	Rotor Only	S-34172
537-25002-20	20/24 Brake Chamber R/H	S-38723-R
537-25003-20	20/24 Brake Chamber L/H	S-38723-L

# Composilite FX Suspension



## Hendrickson Composilite FX Suspension



Item #	East #	Description	Qty	Vendor #
1	NS	SPINDLE NUT	2	3269
2	NS	15" X 4" BRAKE ASSY. LH	1	003274-1
2.1	537-05702-24	15" X4" BRAKE SHOE KIT Q-4702	1	3275
3	NS	15" X4" BRAKE ASSY RH	1	003274-2
3.1	537-05702-24	15" X 4" BARKE SHOE KIT	1	3275
4	NS	5/8" FLAT WASHER HARDENED	14	SA-1500-7
5	NS	5/8" LOCK NUT	14	SA-8900-4
6	NS	5/8"-11 X 2-1/2" HH NUT	14	003349-1
7	518-05029-20	AIR SPRING LIFT BAG	2	5079
8	NS	UPPER AIR SPRING PLATE	2	5168
9	NS	ALIGNMENT PLATE	2	5707
10	NS	UPPER BEAM ASSY. WITH BUSHINGS	4	5733
10.1	NS	URETHANE BUSHING	4	4931
10.2	NS	INNER METAL	2	4932
10.3	NS	LOWER BEAM ASSY. WITH BUSHINGS	4	5734
11	NS	FRAME HANGER ASSY W' CROSS BR	2	005788-D/F/-H
12	NS	PIVOT BOLT KIT	1	6186
12.1	NS	3/4-10 X 5.5 HHB GR 8 BOLT	6	SA-1000-30
12.2	NS	3/4 FLAT WASHER HARD	16	SA-1500-6
12.3	NS	3/4-10 LOCK NUT	8	SA-8900-3
12.4	NS	3/4-10 X 5 GR 8 BOLT	2	003349-8
13	NS	AIR SPRING BOLT KIT	1	A-1134
13.1	NS	3/8"-16 X .875" HHB GR 5 BOLT	8	SA-1100-2
13.2	NS	3/8" MED LOCK WASHER	8	SA-1600-1
14	NS	RIDE SPRING BOLT KIT	2	A-13075
14.1	NS	3/8-16 X .875" HHB GR 5 BOLT	2	SA-1100-2
14.2	NS	3/8 MED LOCK WASHER	2	SA-1600-1
14.3	NS	3/4-16 HEX NUT GRADE 8	2	SA-1300-8
14.4	NS	3/4" LOCK WASHER	2	SA-1600-5
15	518-05033-20	RIDE AIR BAG	2	B-14487
16	NS	AXLE BEAM CALL FOR INFORMATION	1	SPECIAL
NL	521-05702-24	15" X 4" BRAKE DRUM	2	13-00038

\* NS Denotes Items We Do not Keep In Stock  
These Items will need Ordered Directly



**East Manufacturing Corporation**  
**1871 State Route 44 \* PO Box 277**  
**Randolph, Ohio 44265**  
**800-362-0851**  
**Fax 330-325-8235**  
**[www.eastmfg.com](http://www.eastmfg.com)**