

1981

**Honda C70
Passport**

**Parts
Catalog**

1981 Honda C70 Passport Parts Catalog

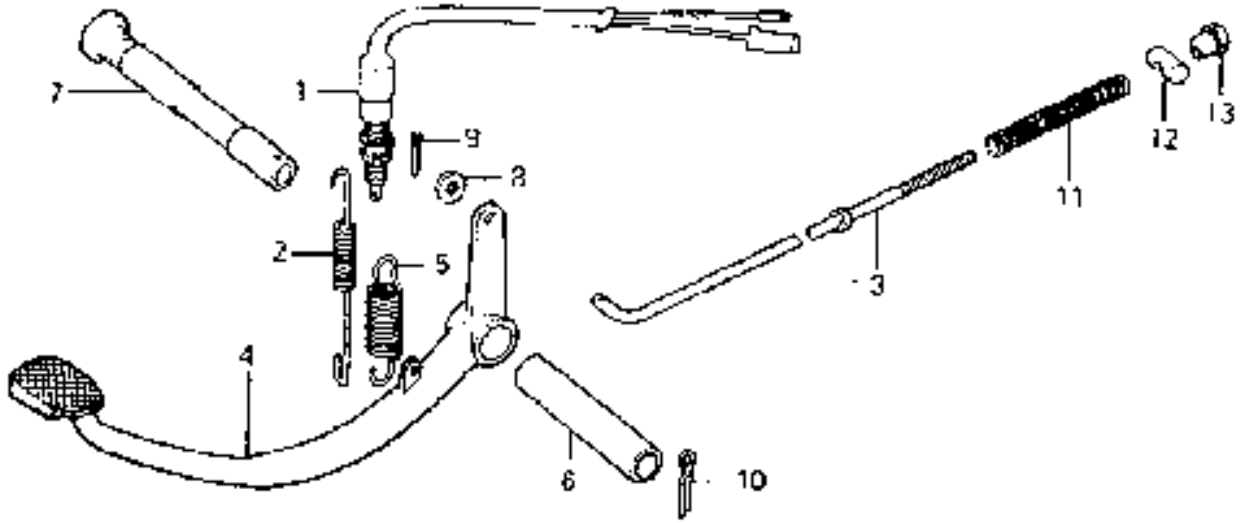
Table of Contents

Brake pedal parts Diagram.....	4
Brake pedal parts List	5
Cam Chain Tensioner Parts Diagram	6
Cam Chain Tensioner Parts List	7
Cam shaft Valve Parts Diagram.....	8
Cam shaft Valve Parts List	9
Carburetor Parts List	11
Clutch Parts Diagram	12
Clutch Parts List.....	13
Crank Case Oil Pump parts Diagram.....	14
Crank Case Oil Pump parts.....	15
Crank Shaft Piston parts Diagram.....	16
Crank Shaft Piston parts List	17
Cylinder, Cylinder Head parts Diagram	18
Cylinder, Cylinder Head parts List	19
Cylinder Head cover parts Diagram	20
Cylinder Head cover parts List	21
Frame Parts Diagram	22
Frame Parts List	23
Front Cover Air Cleaner parts Diagram.....	24
Front Cover Air Cleaner parts List	25
Front Fork parts Diagram.....	26
Front Fork parts List	27
Front Fork Front Fender parts Diagram.....	28
Front Fork Front Fender parts List.....	29
Front Wheel Front Brake parts Diagram	30
Front Wheel Front Brake parts List	31
Fuel Tank parts Diagram	32
Fuel Tank parts List	33
Gasket Kit A Parts List	34
Gasket Kit B Parts List	35
Handle Lever Switch Cable parts Diagram	36
Handle Lever Switch Cable parts List	37
Handlebar Top Bridge parts Diagram.....	38
Handlebar Top Bridge parts List.....	39
Headlight Speedometer parts	40
Headlight Speedometer parts	41
Kick Starter parts Diagram	42
Kick Starter parts List	43
Left Crankcase cover alternator parts	44
Left Crankcase cover alternator parts	45
1981 Muffler parts Diagram	46
1981 Muffler parts List	47
Rear Brake Parts Diagram	48

1981 Honda C70 Passport Parts Catalog

Rear Brake Parts List	49
Rear Shock Absorber parts Diagram	50
Rear Shock Absorber parts List	51
Rear Wheel parts Diagram.....	52
Rear Wheel parts List.....	53
Right Crankcase cover parts Diagram	54
Right Crankcase cover parts List	55
Seat Rear Carrier parts Diagram	56
Seat Rear Carrier parts List.....	57
Shift Drum Shift Fork parts Diagram	58
Shift Drum Shift Fork parts List	59
Starting Motor parts Diagram	60
Starting Motor parts List.....	61
Kick Starter, Kick Stand, Foot Pegs parts Diagram.....	62
Kick Starter, Kick Stand, Foot Pegs parts List	63
Swing arm chain guard parts Diagram.....	64
Swing arm chain guard parts List	65
Tail Light Parts Diagram	66
Tail Light Parts List	67
Tools Side Cover parts Diagram.....	68
Tools Side Cover parts List.....	69
Top Cover Front Carrier parts Diagram.....	70
Top Cover Front Carrier parts List	71
Transmission Parts Diagram	72
Transmission Parts List.....	73
81 Turn Signal parts Diagram.....	74
81 Turn Signal parts List.....	75
Wiring Harness, Electrical parts Diagram	76
Wiring Harness, Electrical parts List	77

Brake pedal parts Diagram

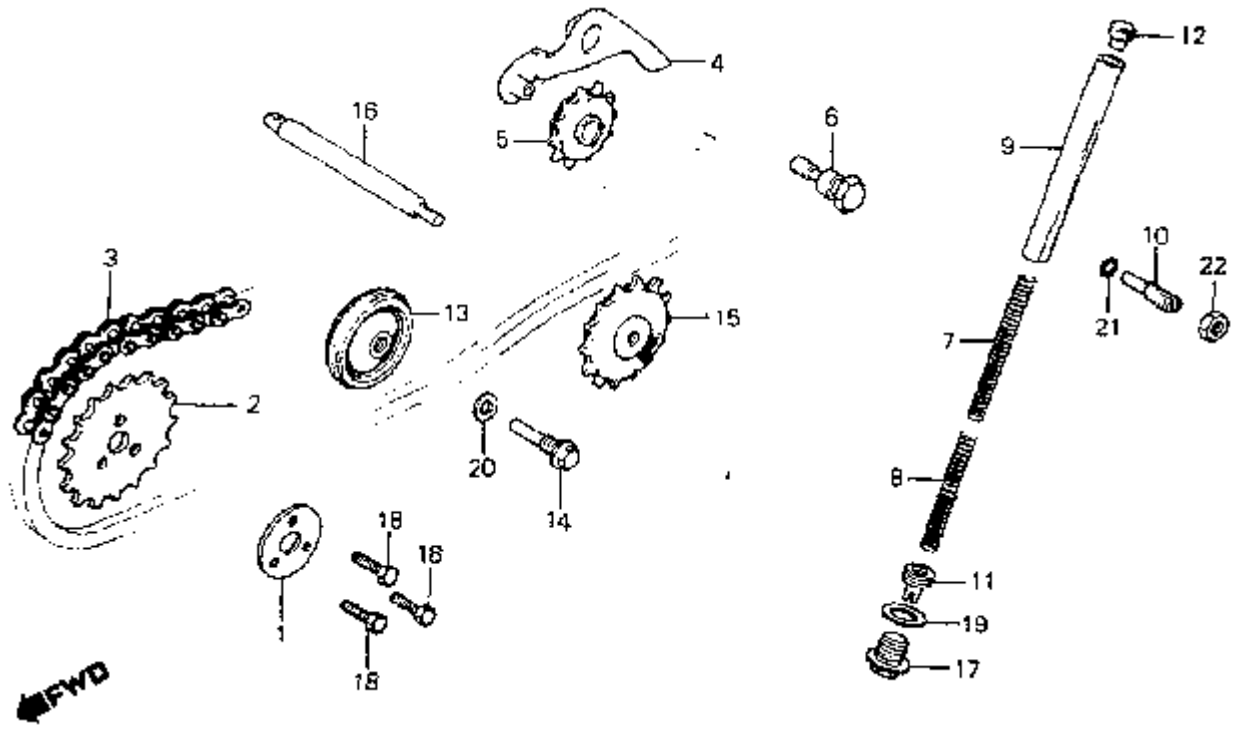


1981 Honda C70 Passport Parts Catalog

Brake pedal parts List

Diagram No.	Description	Honda Part No.
1	SWITCH ASSY., STOP	35350-086-721
1	SWITCH, RR. STOP	35350-174-671
2	SPRING, STOP SWITCH	35357-041-000
3	ROD, RR. BRAKE	43451-041-000
4	PEDAL COMP., BRAKE	46500-086-720
5	SPRING, BRAKE PEDAL	46514-086-720
6	COLLAR, RR.	50250-174-670
7	PIPE, RR.	50512-087-820
8	WASHER, PLAIN (6MM)	94101-06000
8	WASHR,PLAIN (6MM)06800	94101-06800
9	PIN, COTTER (1.6X25)	94201-16250
9	PIN, SPLIT (1.6X15)	94201-16150
10	PIN, COTTER (3.0X40)	94201-30400
10	PIN, COTTER (3X30)	94201-30300
10	PIN, SPLIT (3.0X25)	94201-30250
10	PIN, SPLIT (3.0X45)	94201-30450
11	SPRING A, BRAKE ROD	95014-73100
12	JOINT, BRAKE ARM	95015-32001
13	NUT B	95015-42000

Cam Chain Tensioner Parts Diagram

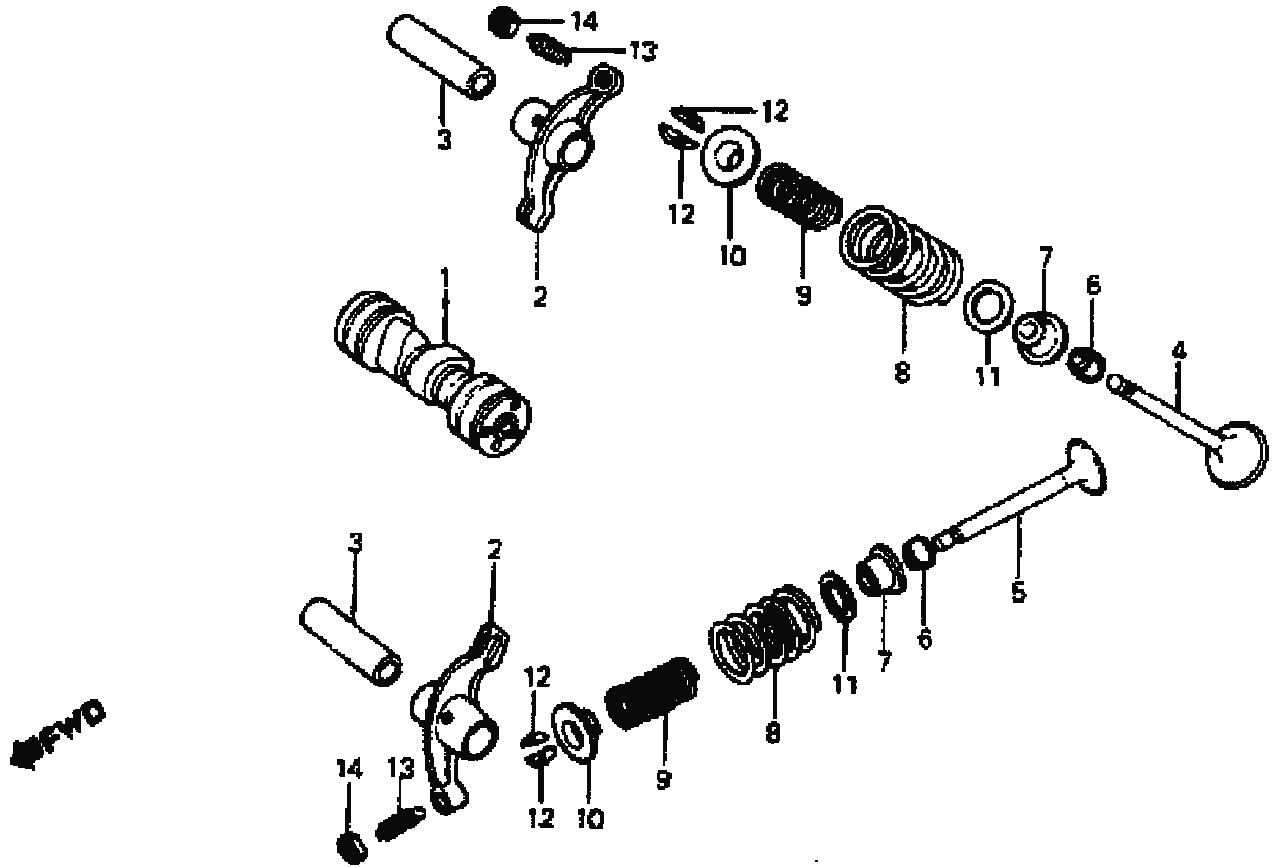


1981 Honda C70 Passport Parts Catalog

Cam Chain Tensioner Parts List

Diagram No.	Description	Honda Part No.
1	WASHER, CAMSHAFT	14105-957-000
2	SPROCKET, CAM (28T)	14321-035-003
3	CHAIN, CAM (82L)	14401-035-003
4	ARM COMP.	14500-035-020
5	ROLLER	14502-086-000
6	PIVOT	14531-035-000
7	SPRING A	14541-086-010
8	SPRING B	14542-086-000
9	ROD COMP.	14550-086-010
10	BOLT	14561-086-010
11	BOLT B	14562-086-000
12	HEAD	14566-086-030
13	ROLLER	14610-086-000
13	ROLLER COMP.	14610-086-003
14	PIN	14615-035-000
15	SPROCKET (25T)	14670-035-030
16	SPINDLE	14675-035-060
17	BOLT, SEALING (14MM)	90081-086-000
18	BOLT, KNOCK (5MM)	90083-035-010
19	WASHER (14MM)	90441-035-000
20	WASHER (8MM)	90481-035-000
21	O-RING (5.5X1.5)	91301-216-000
22	NUT, HEX. (8MM)	94002-08000-0S

Cam shaft Valve Parts Diagram



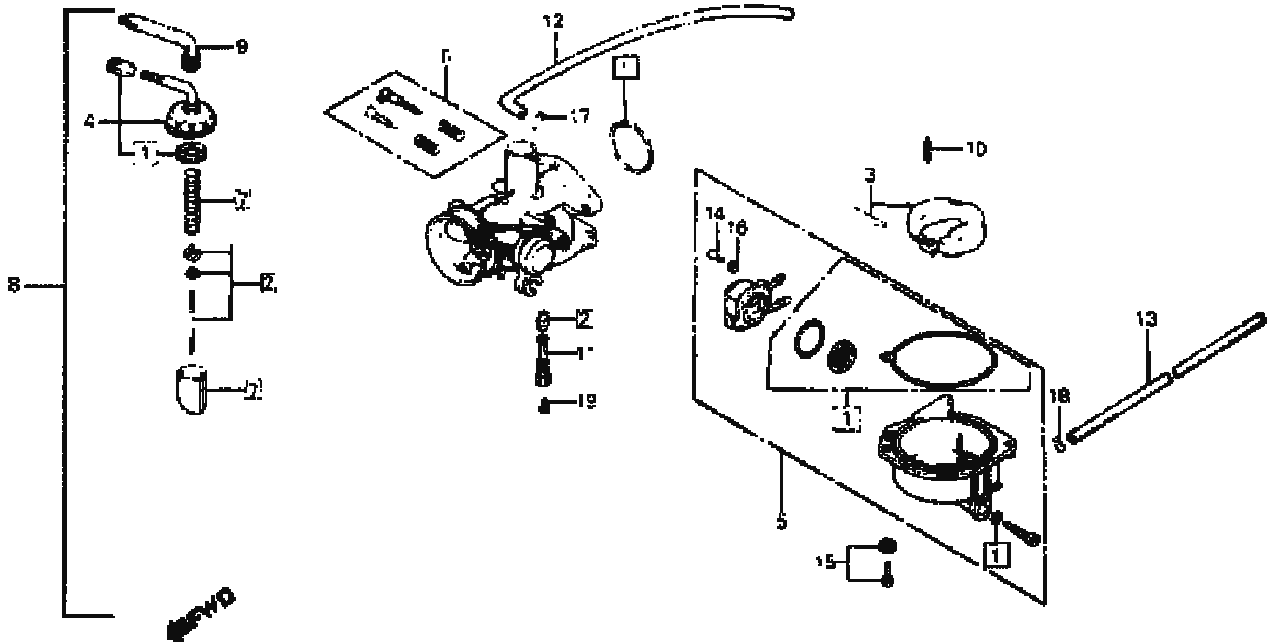
1981 Honda C70 Passport Parts Catalog

Cam shaft Valve Parts List

Diagram No.	Description	Honda Part No.
1	CAMSHAFT	14101-040-030
2	ARM, VALVE ROCKER	14431-035-000
3	SHAFT	14451-035-000
4	VALVE, IN.	14711-087-710
5	VALVE, EX.	14721-087-710
6	SEAL, VALVE STEM	14730-028-013
7	CAP, VALVE STEM SEAL	14731-028-000
8	SPRING, VALVE	14751-035-600
10	RETAINER, VLV SPR	14771-035-600
11	SEAT, VALVE SPRING	14776-028-000
12	COTTER, VALVE	14781-001-010
13	SCREW, TAPPET ADJ.	90012-333-000
14	NUT, TAPPET ADJ.	90206-001-000

1981 Honda C70 Passport Parts Catalog

Carburetor Parts Diagram

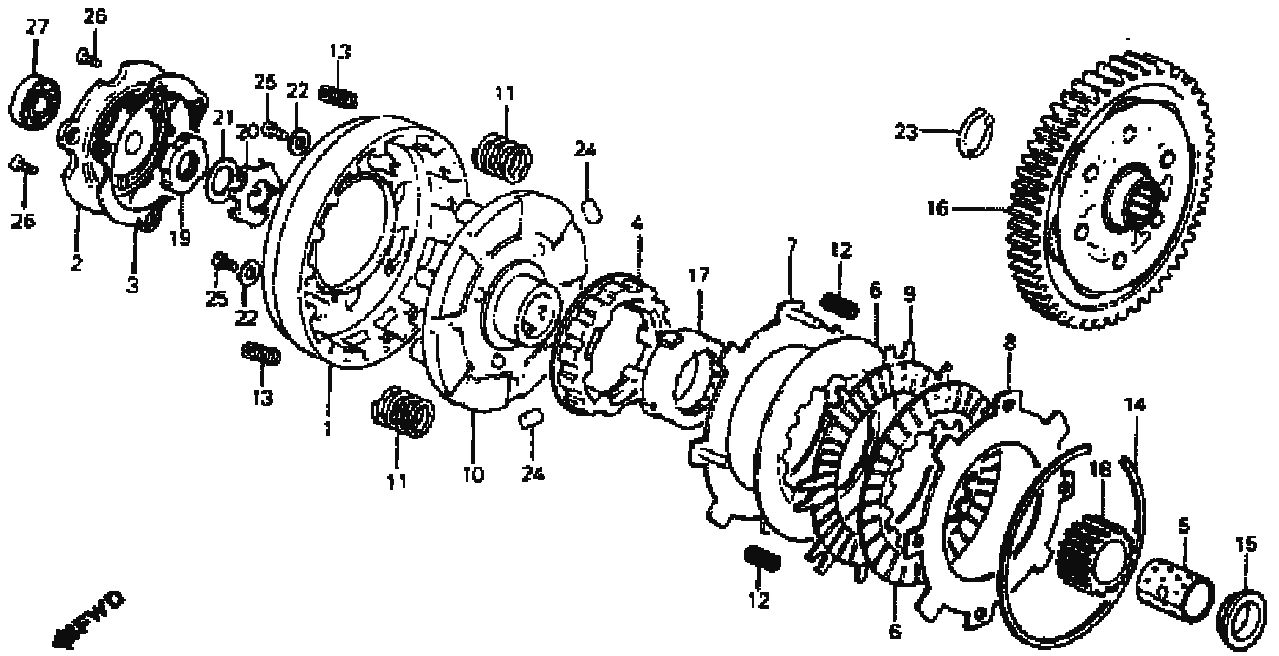


1981 Honda C70 Passport Parts Catalog

Carburetor Parts List

Diagram No.	Description	Honda Part No.
1	GASKET SET	16010-086-701
2	NEEDLE SET, JET	16012-174-671
3	FLOAT SET	16013-883-005
4	TOP SET	16014-086-305
5	CHAMBER SET, FLOAT	16015-174-671
6	SCREW SET	16016-174-671
7	VALVE SET, THROTTLE	16022-173-004
8	CARBURETOR ASSY.	16100-174-673
9	CAP, CABLE SEALING	16118-121-014
10	VALVE COMP., FLOAT	16155-883-005
11	HOLDER, NEEDLE JET	16165-174-671
12	TUBE, FUEL	16199-092-700
13	TUBE, AIR VENT	16199-943-003
13	TUBE, FUEL	16199-092-901
13	TUBE, OVERFLOW	16199-GB4-003
14	SCREW, PAN (3X12)	93500-03012-0H
15	SCREW-WASHER (4X14)	93892-04014-08
16	WASHER, SPRING (3MM)	94111-03000
17	CLIP, TUBE (B7)	95002-02070
18	CLIP, TUBE (B6.5)	95002-02650
19	JET, MAIN (#85)	99101-116-0850
19	JET, MAIN (#88)	99101-116-0880
19	JET, MAIN (#90)	99101-116-0900

Clutch Parts Diagram



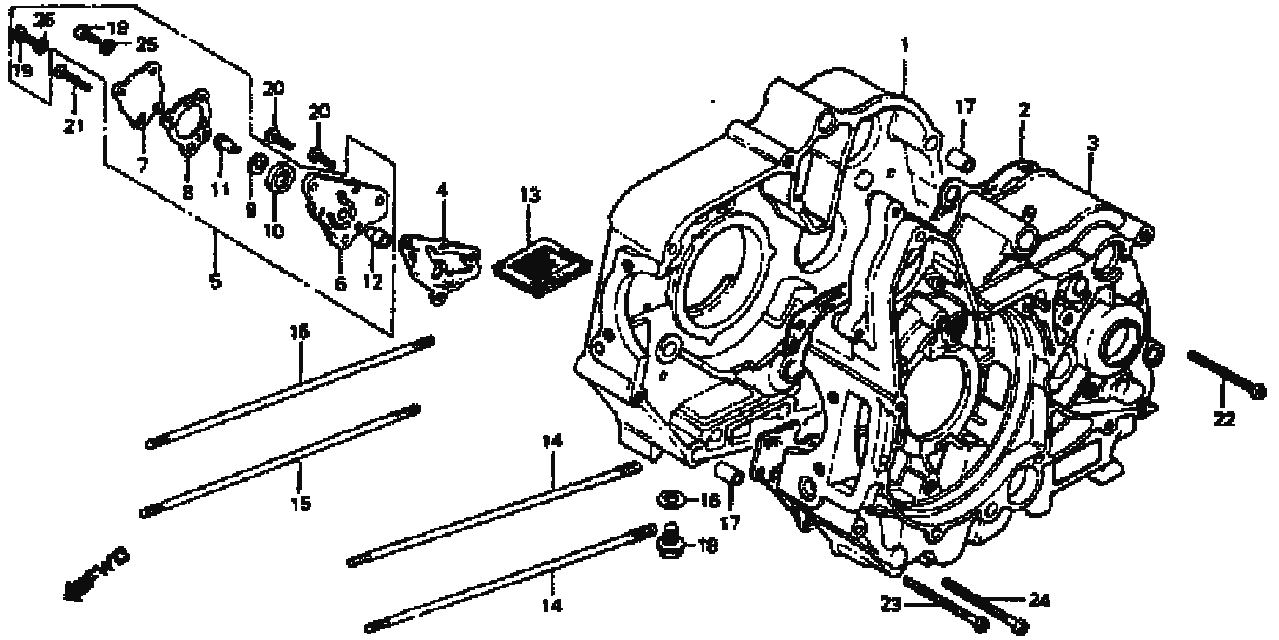
1981 Honda C70 Passport Parts Catalog

Clutch Parts List

Diagram No.	Description	Honda Part No.
1	CLUTCH OUTER	22101-040-030
2	CVR, CLUTCH (OUTER)	22111-040-000
3	GASKET, CLUTCH COVER	22119-040-000
4	CENTER, CLUTCH (17T)	22120-040-030
5	GUIDE, CLUTCH CENTER	22131-035-030
6	DISK A, CL FRICTION	22201-086-010
6	DISK, CL FRICTION	22201-092-306
7	PLATE A, CLUTCH	22310-041-010
8	PLATE B, CLUTCH	22321-041-000
9	DISK B, CL FRICTION	22331-086-000
9	DISK B, CLUTCH	22331-126-900
10	PLATE, DRIVE	22351-086-020
11	SPRING, CLUTCH	22401-092-010
12	SPRING, CLUTCH FREE	22411-092-010
13	SPRING	22421-040-000
14	SET-RING (101.5MM)	22901-001-000
15	COLLAR (17MM)	22911-035-010
16	GEAR (69T)	23110-086-020
17	OUTER (17T)	23112-086-020
18	GEAR (17T)	23120-086-020
19	NUT, LOCK (14MM)	90231-087-000
20	WASHER, LOCK (14MM)	90431-086-000
21	WASHER B, LOCK	90432-086-000
22	WASHER (14MM)	90483-040-000
23	CIRCLIP (17MM)	90601-001-000
24	ROLLER (8X10)	91101-039-000
25	SCREW, PAN (5X10)	93500-05010-0A
26	SCREW, FLAT (5X10)	93600-05010-0A
27	BEARING (6000)	96100-60000-00

1981 Honda C70 Passport Parts Catalog

Crank Case Oil Pump parts Diagram

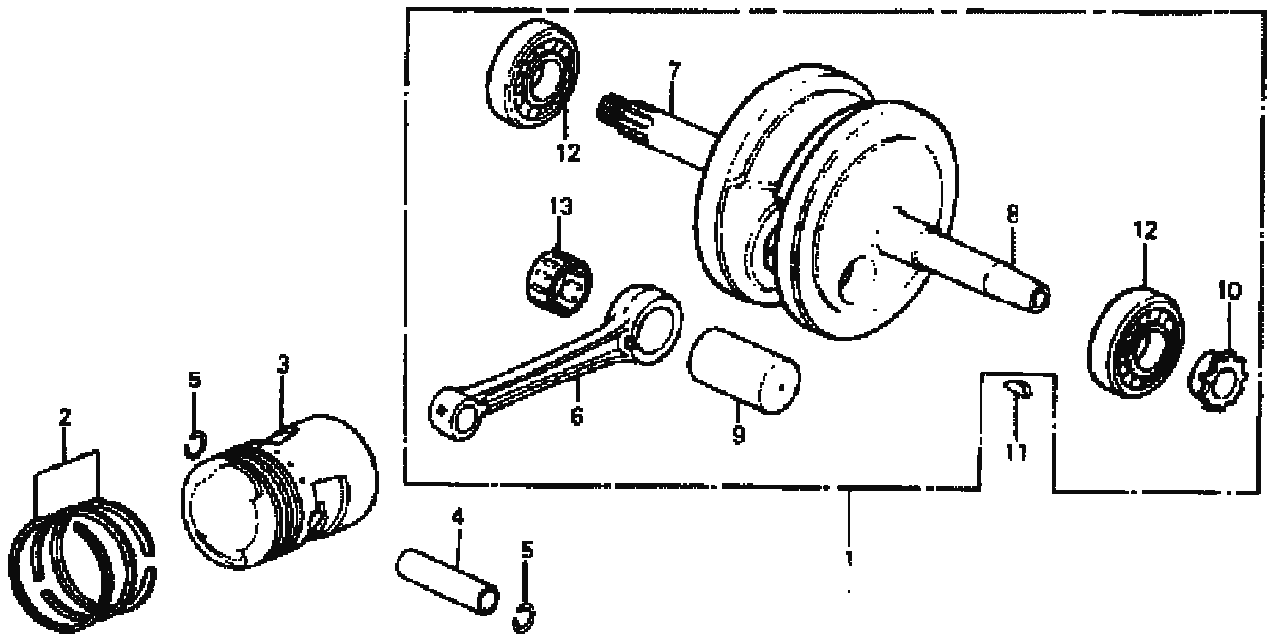


1981 Honda C70 Passport Parts Catalog

Crank Case Oil Pump parts

Diagram No.	Description	Honda Part No.
1	CRANKCASE COMP., R.	11100-174-670
2	GASKET, CRANKCASE	11191-178-010
3	CRANKCASE COMP., L.	11200-174-670
4	GASKET	15119-178-000
5	PUMP ASSY., OIL	15300-035-000
6	BODY, OIL PUMP	15311-035-013
7	COVER, OIL PUMP	15321-035-003
8	GASKET	15329-035-003
9	ROTOR, OIL PUMP	15331-035-004
11	DRIVESHAFT, OIL PUMP	15382-035-003
12	PIN, OIL PUMP KNOCK	15383-035-003
13	SCREEN, OIL FILTER	15421-035-010
14	BOLT A, CYL STUD	90031-035-010
15	BOLT B, CYL STUD	90032-035-000
16	GASKET (12.5X20)	90407-259-000
16	GASKET, DRAIN VALVE	90407-231-000
16	WASHER (12MM)	94109-12000
17	PIN A, KNOCK (10X14)	90704-035-000
18	BOLT (12MM)	92800-12000
19	SCREW, PAN (5X10)	93500-05010-0A
20	SCREW, PAN (6X16)	93500-06016
21	SCREW, PAN (6X22)	93500-06022
22	BOLT, FLANGE (6X50)	96000-06050-00
22	SCREW, PAN (6X50)	93500-06050
23	BOLT, FLANGE (6X60)	96000-06060-00
23	SCREW, PAN (6X60)	93500-06060
24	BOLT, FLANGE (6X65)	96000-06065-00
24	SCREW, PAN (6X65)	93500-06065
25	WASHER, SPRING (5MM)	94111-05000

Crank Shaft Piston parts Diagram



1981 Honda C70 Passport Parts Catalog

Crank Shaft Piston parts List

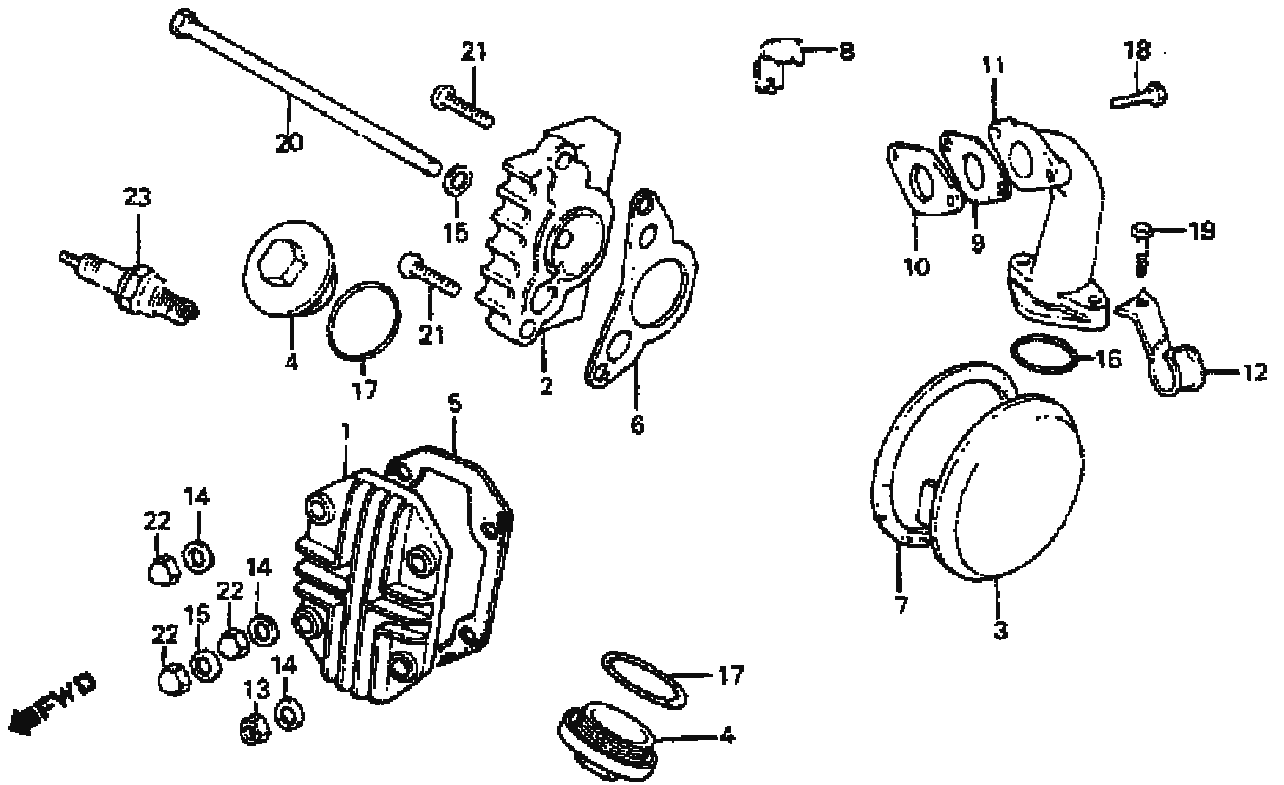
Diagram No.	Description	Honda Part No.
1	CRANKSHAFT COMP.	13000-174-670
2	RING SET (0.75)	13014-HB2-305
2	RING SET (1.00)	13015-HB2-305
2	RING SET (OS 0.25)	13012-HB2-305
2	RING SET (OS 0.50)	13013-HB2-305
2	RING SET (STD)	13010-087-023
3	PISTON (0.75)	13104-087-712
3	PISTON (1.00)	13105-087-712
3	PISTON (OS 0.25)	13102-087-712
3	PISTON (OS 0.50)	13103-087-712
3	PISTON (STD)	13101-087-712
4	PIN, PISTON	13111-087-000
5	CLIP (13MM)	94601-13000
5	CLIP, PISTON PIN	13115-001-000
6	ROD, CONNECTING	13201-036-010
7	CRANKSHAFT, R.	13311-087-000
8	CRANKSHAFT COMP., L.	13321-174-670
9	PIN, CRANK	13381-178-300
10	SPROCKET (14T)	14311-035-000
11	KEY, WOODRUFF (3X5)	90741-035-000
12	BEARING (6304)	91001-035-000
13	BEARING *WHITE*	91103-GB4-681
13	BEARING, CONN ROD	91101-GB4-681

1981 Honda C70 Passport Parts Catalog

Cylinder, Cylinder Head parts List

Diagram No.	Description	Honda Part No.
1	GUIDE, EX. VALVE	12023-051-320
2	CYLINDER COMP.	12101-087-010
3	GASKET, CYLINDER	12191-118-670
4	CYLINDER HEAD COMP.	12200-178-000
5	GUIDE, EX. VALVE	12023-051-405
5	GUIDE, IN. VALVE	12231-178-305
6	GASKET, CYL HD	12251-111-505
7	CLAMP B	17236-174-670
8	CLIP, IGNITION CABLE	32906-061-000
9	BOLT, STUD (6X32)	90033-041-010
10	BOLT (6MM)	90082-035-010
10	BOLT, HS (6MM)	90082-035-000
11	GASKET (16MM)	91303-035-000
12	O-RING (9X1.6)	91305-028-158
13	GASKET (7.5MM)	91306-035-000
13	GASKET, RUBBER (9MM)	91306-141-000
14	BOLT, FLANGE (6X20)	96000-06020-00
14	SCREW, PAN (6X20)	93500-06020
15	PIN A, DOWEL (8X12)	94301-08120
16	PIN, DOWEL (8X14)	94301-08140

Cylinder Head cover parts Diagram

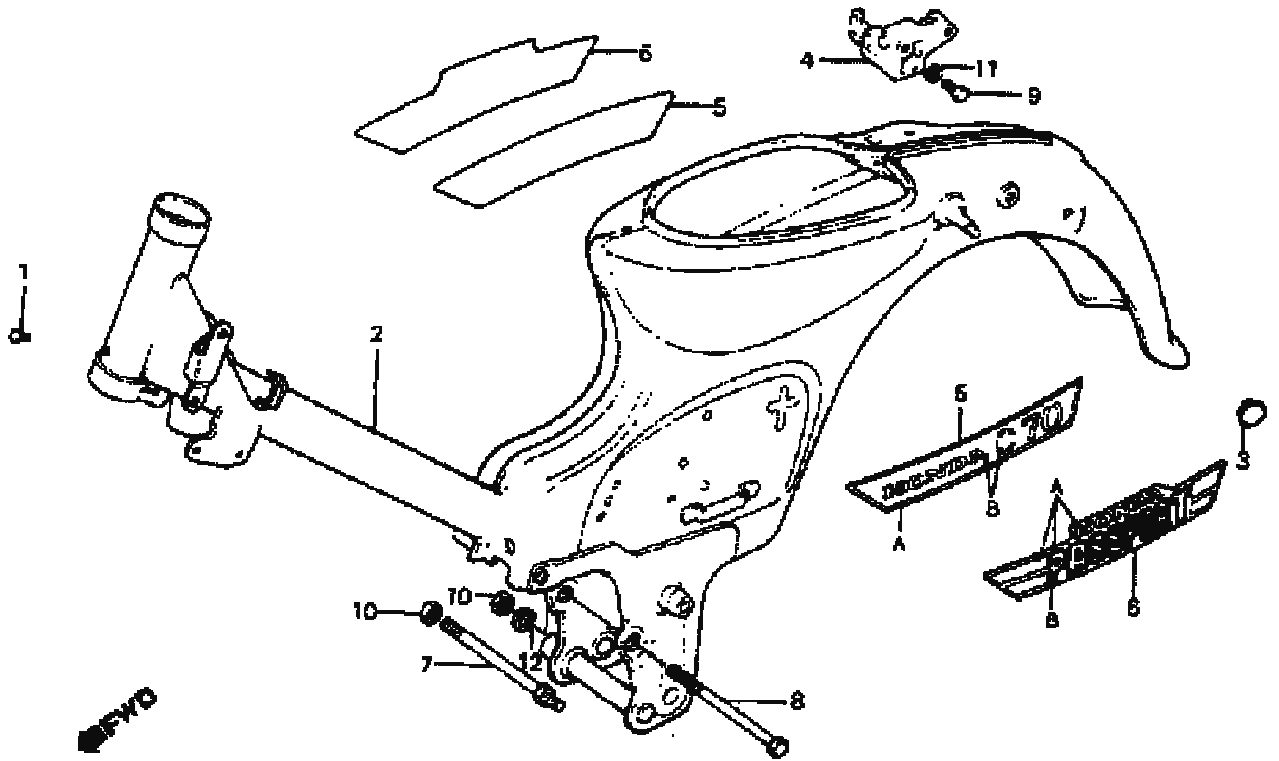


1981 Honda C70 Passport Parts Catalog

Cylinder Head cover parts List

Diagram No.	Description	Honda Part No.
1	COVER, CYLINDER HEAD	12301-086-000
2	CVR, R. CYL HD SIDE	12331-035-000
3	CVR, L. CYL HD SIDE	12341-040-000
4	CAP, VALVE ADJ.	12361-035-000
5	GASKET, CYL HD CVR	12391-035-000
6	GASKET, R.	12394-035-000
6	GASKET, R. CYLINDER	12394-035-010
7	GASKET, L.	12395-035-000
8	COVER, AIR BLEED	16111-086-305
9	GASKET, INSULATOR	16201-086-700
10	INSULATOR	16211-086-700
11	PIPE, INLET	17111-086-700
12	CLAMP A	17237-174-670
13	NUT, HEX. (6MM)	90230-087-000
14	WASHER (6MM)	90442-035-000
15	WASHER A (6MM)	90443-035-000
16	O-RING (27X2)	91305-KF0-003
16	O-RING (27X2.0)	91301-028-000
17	O-RING (30.8MM)	91302-001-020
18	BOLT, HEX. (6X22)	92000-06022
19	BOLT, HEX. (6X25)	92000-06025
20	BOLT, HEX. (6X111)	92000-06111
21	BOLT, FLANGE (6X20)	96000-06020-00
21	SCREW, PAN (6X20)	93500-06020
22	NUT, CAP (6MM)	94021-06000
23	SPARK PLUG (C6HSA)	98056-56711
23	SPARK PLUG (C7HS)	98056-57722
23	SPARK PLUG (C-7HS)	98056-57711
23	SPARK PLUG (C8HSA)	98056-58713
23	SPARK PLUG (C9H)	98056-59710
23	SPARK PLUG (U20FB)	98056-56723
23	SPARK PLUG (U20FS)	98056-56721
23	SPARK PLUG (U22FS)	98056-57710
23	SPARK PLUG (U22FS-U)	98056-57723
23	SPARK PLUG (U24FB)	98056-59720

Frame Parts Diagram



1981 Honda C70 Passport Parts Catalog

Frame Parts List

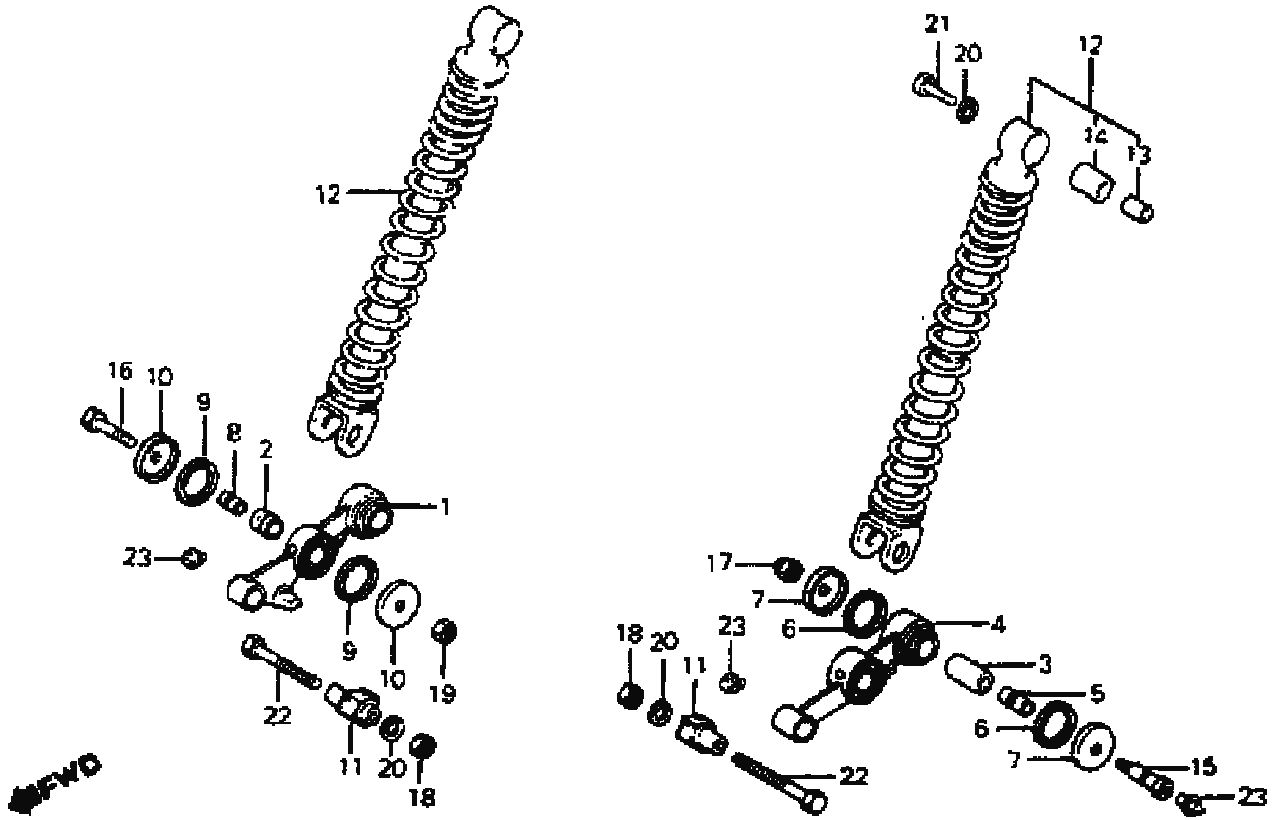
Diagram No.	Description	Honda Part No.
1	PLUG, HEAD PIPE	50049-046-000
2	FRAME COMP. *PB31*	50100-174-670ZB
2	FRAME COMP. *R110*	50100-174-670ZC
2	FRAME COMP. *Y31*	50100-174-670ZA
3	PLUG, HOLE	50318-041-600
4	HOLDER ASSY., HELMET	50710-086-007
5	EMBLEM (TYPE1)	87121-174-670ZA
5	EMBLEM (TYPE2)	87121-174-670ZB
6	EMBLEM (TYPE1)	87121-174-770ZA
6	EMBLEM (TYPE2)	87121-174-770ZB
7	BOLT A, RR.	90112-003-000
8	BOLT, RR. ENGINE	90116-001-010
9	BOLT, HEX. (6X8)	92000-06008
10	NUT, HEX. (8MM)	94030-08000
11	WASHER, SPRING (6MM)	94111-06000
12	WASHER, SPRING (8MM)	94111-08000

1981 Honda C70 Passport Parts Catalog

Front Cover Air Cleaner parts List

Diagram No.	Description	Honda Part No.
1	JOINT, HOSE	11357-425-000
2	CLIP, BREATHER TUBE	15772-551-000
3	ELEMENT, AIR CLEANER	17211-041-015
4	COVER, A/CLNR *NH24*	17220-092-720ZA
5	HOUSING, AIR CLEANER	17221-121-730
6	GASKET	17225-096-702
7	GASKET, A/CLNR HSG	17252-041-010
8	TUBE	17253-174-670
9	BAND A, A/CLNR TUBE	17255-303-010
10	BAND B	17256-053-010
11	JOINT, BREATHER TUBE	17359-419-670
12	BODY	17361-419-670
13	CAP	17362-174-670
14	HOLDER, ELEMENT	17363-419-670
15	ELEMENT	17364-419-000
16	TUBE, DRAIN	17365-174-670
17	COVER	17366-174-670
18	TUBE, JOINT	17367-174-670
19	TUBE, BREATHER	17368-174-670
20	TUBE A, DRAIN	17369-174-670
21	CLIP, TUBE (A13.5)	17369-419-670
22	PLUG, BREATHER TUBE	17370-382-870
23	CLIP, BREATHER TUBE	17371-174-670
24	COVER, FR. *NH24*	64301-086-710ZA
25	WASHER, FR.	64347-001-000
27	BAND, FR.	64370-086-000
28	EMBLEM, FR. COVER	87102-172-000
29	RIVET, EMBLEM	87129-141-000
30	BOLT	90113-001-040
31	O-RING (47X1.9)	91305-419-670
32	BOLT, HEX. (6X18)	92000-06018
33	BOLT-WASHER (6X12)	93401-06012-00
34	SCREW, PAN (5X20)	93500-05020-0A
35	SCREW-WASHER (4X16)	93891-04016-08
36	NUT, HEX. (6MM)	90310-KA3-711
37	NUT, HEX. (8MM)	94001-08000-0S
38	NUT, CAP (6MM)	94021-06020
39	WASHER, PLAIN (6MM)	94101-06000
39	WASHER, PLAIN (6MM) 06800	94101-06800
40	WASHER, PLAIN (8MM)	94101-08000
41	CLIP, TUBE	91462-393-780
41	CLIP, TUBE (A16)	95002-01160
42	CLIP, TUBE (B12.5)	95002-02130
43	CLIP, TUBE	95002-41000-08

Front Fork parts Diagram

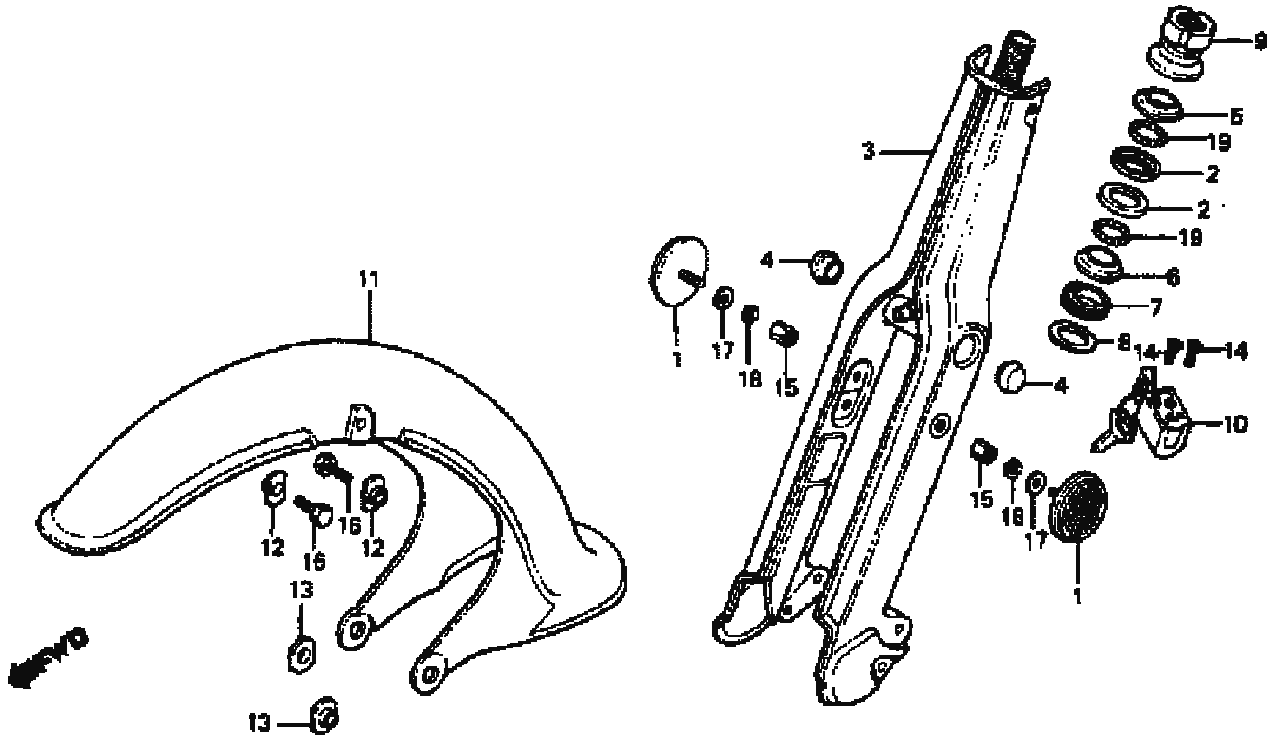


1981 Honda C70 Passport Parts Catalog

Front Fork parts List

Diagram No.	Description	Honda Part No.
1	ARM, R. FR.	51310-041-000
1	ARM, R. SUSPENSION	51310-041-305
2	BUSH, FR. FORK	51311-041-006
3	BUSH, FR. ARM PIVOT	51312-041-006
4	ARM, L. FR.	51320-041-000
4	ARM, L. SUSPENSION	51320-041-305
5	COLR, FR. ARM PIVOT	51331-041-010
6	DUST SEAL, FR.	51332-001-000
7	CAP, FR.	51333-001-000
8	COLLAR, FR. (LOWER)	51334-041-000
9	DUST SEAL, FR. FORK	51335-001-000
10	CAP, FR. (LOWER)	51336-001-000
11	STOPPER, FR. ARM	51351-041-010
12	FORK ASSY., FR.	51400-174-671
13	COLLAR, RUBBER BUSH	51486-086-000
14	BUSH, RUBBER	51489-179-701
15	BOLT, FR. ARM PIVOT	90125-041-000
16	BOLT, FR. FORK	90149-041-010
17	NUT, SELF-LOCK (8MM)	90349-001-000
18	NUT, HEX. (8MM)	94001-08000-0S
20	WASHER, SPRING (8MM)	94111-08000
21	BOLT, HEX. (8X32)	95300-08032
22	BOLT, HEX. (8X50)	95300-08050
23	FITTING (A.45)	96201-30001

Front Fork Front Fender parts Diagram

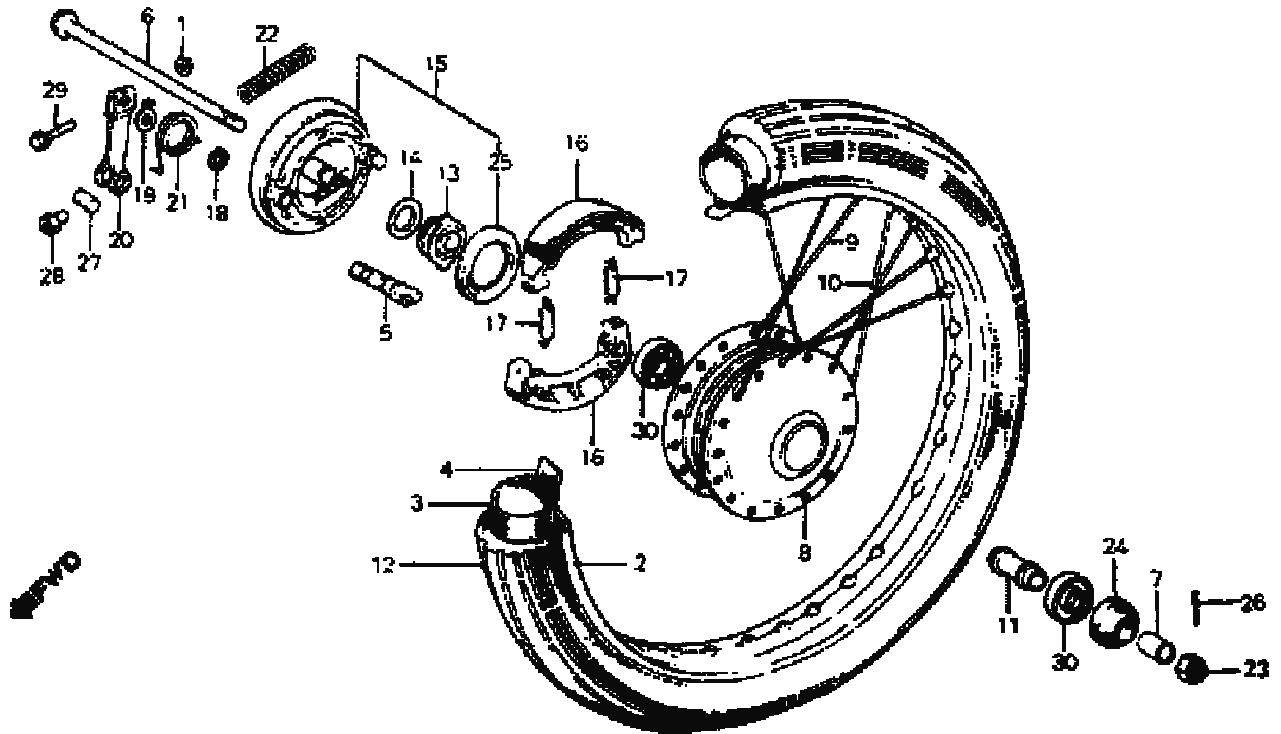


1981 Honda C70 Passport Parts Catalog

Front Fork Front Fender parts List

Diagram No.	Description	Honda Part No.
1	REFLECTOR, FR.	33741-179-003
2	RACE	50301-041-000
3	FORK, FR. *PB31*	51100-172-010ZS
3	FORK, FR. *R110*	51100-172-010ZW
3	FORK, FR. *Y31*	51100-172-010ZR
4	CAP *NH24*	51341-001-000ZD
4	CAP, FR. *NH24*	51341-001-000WF
5	RACE, STEERING CONE	53211-030-000
7	DUST SEAL	53214-001-010
8	WASHER	53215-001-000
9	THREAD COMP.	53220-041-010
10	LOCK, HANDLEBAR	53600-086-007
11	FENDER, FR. *PB31*	61100-086-000ZJ
11	FENDER, FR. *R110*	61100-086-000ZN
11	FENDER, FR. *Y31*	61100-086-000ZH
13	METAL, FR. (LOWER)	61142-001-000
14	SCREW (6X12)	90164-028-000
15	NUT, LOCK (6MM)	90301-086-000
16	BOLT, HEX. (6X16)	92000-06016
17	WASHER, PLAIN (6MM)	94101-06000
17	WASHR,PLAIN6MM)06800	94101-06800
18	WASHER, SPRING (6MM)	94111-06000
19	BALL (#6) (3/16)	96211-06000

Front Wheel Front Brake parts Diagram

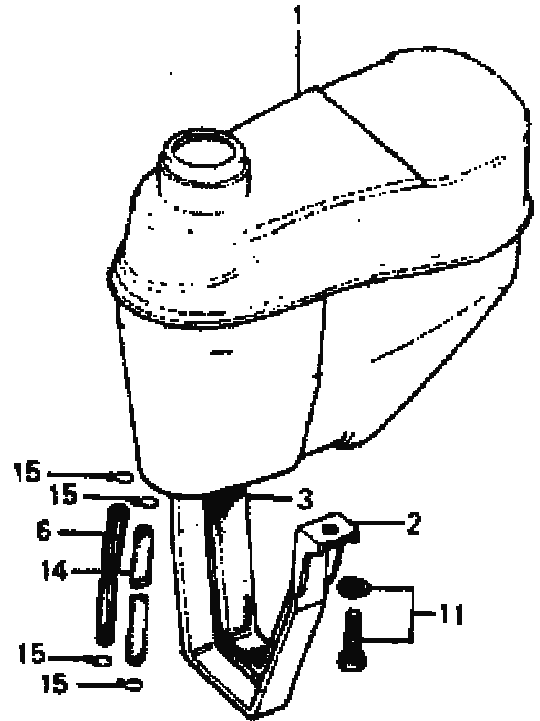
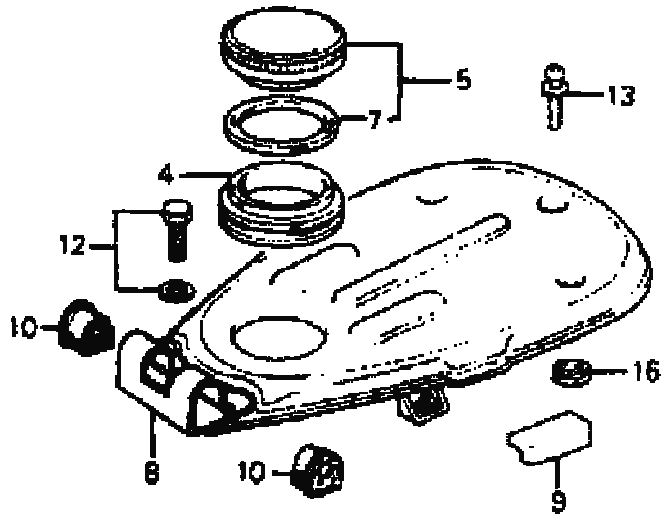


1981 Honda C70 Passport Parts Catalog

Front Wheel Front Brake parts List

Diagram No.	Description	Honda Part No.
1	NUT, FLANGE (6MM)	18362-720-000
2	RIM, FR. WHEEL	44701-174-670
2	RIM, RR. (1.20X17)	42701-041-020
2	RIM, RR. WHEEL	42701-041-010
2	RIM, WHEEL	42701-001-063
3	TUBE, TIRE	44712-044-000
3	TUBE, TIRE (2.25-17)	42712-148-672M2
3	TUBE, TIRE (2.50-17)	42712-041-003
3	TUBE, TIRE (2.50-7)	08400-03010
4	FLAP, TIRE (17)	42713-102-005
5	CAM, RR. BRAKE	43141-400-010
6	AXLE, FR. WHEEL	44301-041-680
7	COLR, FR. WHEEL SIDE	44311-041-000
8	HUB, FR. WHEEL	44601-171-000
9	SPOKE A (12X159.5)	44605-171-000
10	SPOKE A (12X159)	44606-171-000
11	COLLAR, FR.	44620-171-000
12	TIRE (2.25-17) (4PR)	44711-174-672
12	TIRE (2.25-17) (6PR)	44711-174-671
13	GEAR, SPEEDOMETER	44804-096-650
14	WASHER	44808-107-720
15	SUB-PANEL COMP., FR.	45010-171-000
16	*06450-178-932	45120-GAG-003
16	*451A2-096-305	45120-096-652
16	SHOE COMP., BRAKE	45120-096-651
16	SHOE SET, BRAKE	06450-178-932
17	SPRING, BRAKE SHOE	45133-028-000
18	DUST SEAL, BRAKE CAM	45134-250-000
19	INDICATOR, FR. BRAKE	45145-096-650
20	ARM, FR. BRAKE	45410-096-650
21	SPRING, FR.	45411-087-820
23	NUT, FR. WHEEL AXLE	90305-041-000
24	OIL SEAL (21X35X7)	90752-035-003
25	OIL SEAL (47X60X7)	91251-121-000
26	PIN, SPLIT (2.5X20)	94201-25200
26	PIN, SPLIT (2.5X25)	94201-25250
26	PIN, SPLIT (2.5X30)	94201-25300
27	JOINT, BRAKE ARM	95015-32001
28	NUT B	95015-42000
29	BOLT, FLANGE (6X28)	95700-06028
30	BEARING (6300U)	96140-63000-10
900	SHOE KIT, BRAKE	06450-096-405

Fuel Tank parts Diagram



← FWD

1981 Honda C70 Passport Parts Catalog

Fuel Tank parts List

Diagram No.	Description	Honda Part No.
1	TANK, FUEL	17500-092-720
2	BAND, FUEL TANK	17503-092-670
3	RUBBER	17504-092-670
4	GASKET	17512-086-010
5	CAP, FUEL FILLER	17620-171-000
6	TUBE, FUEL RESERVE	17631-046-010
7	GASKET	17631-096-700
8	LID, FRAME *PB31*	50751-092-720ZK
8	LID, FRAME *R110*	50751-092-720ZP
8	LID, FRAME *Y31*	50751-092-720ZJ
9	SEAT, FRAME LID	50752-092-720
10	RUBBER	77218-121-730
11	BOLT-WASHER (6X20)	93411-06020-00
12	BOLT-WASHER (8X12)	93481-08016-00
12	BOLT-WASHER (8X16)	93411-08016-00
13	SCREW-WASHER (6X25)	93891-06025-10
14	BULK HOSE (5.5X8000)	95001-55008-40M
15	CLIP, TUBE (B10)	95002-02100
16	RUBBER C	95011-63000

1981 Honda C70 Passport Parts Catalog

Gasket Kit A Parts List

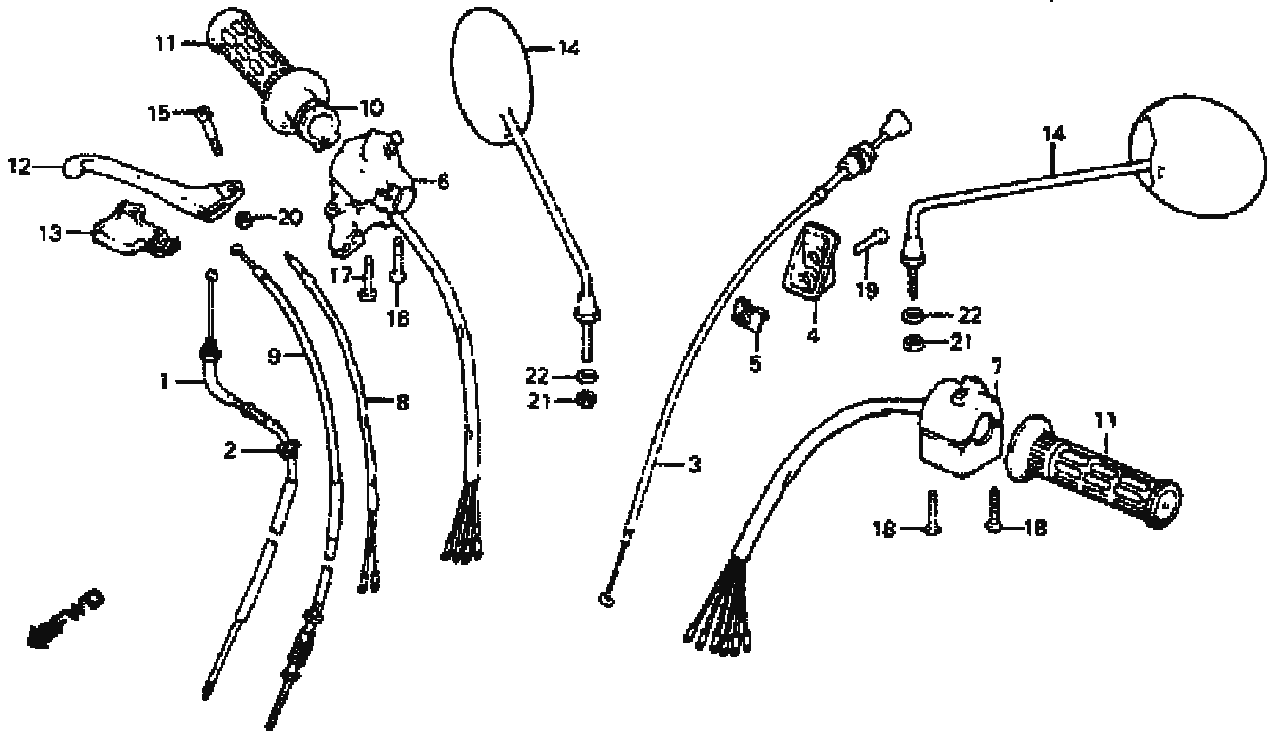
Diagram No.	Description	Honda Part No.
1	GASKET KIT A	061A1-174-670
1	GASKET, CYLINDER	12191-118-670
2	GASKET, CYL HD	12251-111-505
3	GASKET, CYL HD CVR	12391-035-000
4	GASKET, R.	12394-035-000
4	GASKET, R. CYLINDER	12394-035-010
5	GASKET, L.	12395-035-000
6	SEAL, VALVE STEM	14730-028-013
7	GASKET, INSULATOR	16201-086-700
8	GASKET, EX. PIPE	18291-001-010
9	O-RING (27X2)	91305-KF0-003
9	O-RING (27X2.0)	91301-028-000
10	O-RING (5.5X1.5)	91301-216-000
11	O-RING (30.8MM)	91302-001-020
12	GASKET (16MM)	91303-035-000
13	GASKET (7.5MM)	91306-035-000
13	GASKET, RUBBER (9MM)	91306-141-000

1981 Honda C70 Passport Parts Catalog

Gasket Kit B Parts List

Diagram No.	Description	Honda Part No.
1	GASKET KIT B	061B1-174-405
1	GASKET, CRANKCASE	11191-178-010
2	GASKET, R.	11394-035-010
3	GASKET, L.	11395-179-710
4	GASKET	15119-178-000
5	GASKET, CLUTCH COVER	22119-040-000
6	GASKET, POINTS COVER	30391-030-000
7	O-RING (107X2)	91301-035-000
8	O-RING (8MM)	91303-001-000
8	O-RING (8X1.7)	91306-HB3-003
9	O-RING (18X3)	91307-035-000
10	O-RING (7X1.7)	91312-107-000
11	O-RING (6X1.7)	91317-171-003
12	O-RING (53.5X2)	91354-179-710

Handle Lever Switch Cable parts Diagram

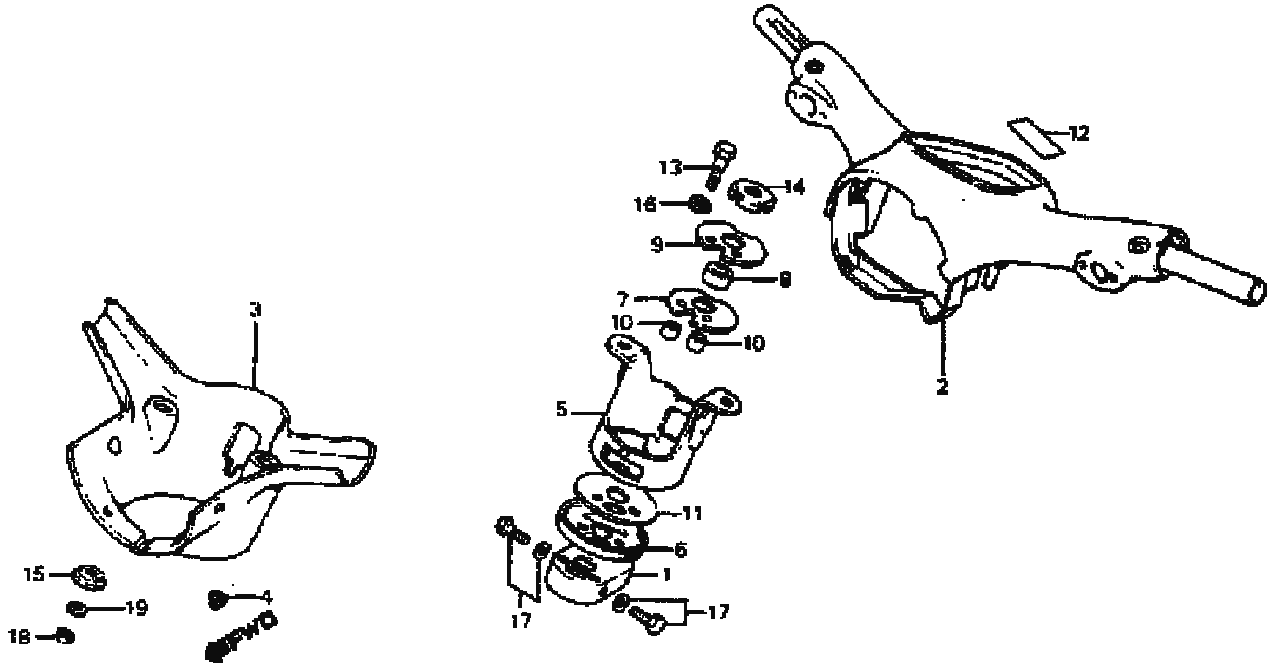


1981 Honda C70 Passport Parts Catalog

Handle Lever Switch Cable parts List

Diagram No.	Description	Honda Part No.
1	CABLE, THROTTLE	17910-126-770
2	GROMMET	17911-179-700
3	CABLE COMP., CHOKE	17950-174-670
4	HOLDER, CHOKE WIRE	17965-086-720
5	PLATE	17966-086-720
6	SWITCH, STARTER KILL	35150-174-671
7	SWITCH ASSY.	35200-174-672
8	SWITCH, FR. STOP	35340-086-721
9	CABLE, FR. BRAKE	45450-174-670
10	PIPE, THROTTLE GRIP	53141-179-700
11	GRIP, HANDLEBAR	53165-172-000
12	LEVER, R. HANDLE	53175-147-671
12	LEVER, R. HANDLEBAR	53175-147-670
13	COVER, R.	53176-179-700
13	CVR, R. HANDLE LEVER	53178-125-770
14	MIRROR ASSY.	88110-179-701
15	SCREW	90115-170-700
15	SCREW (5X26)	90115-147-000
16	SCREW, PAN (5X24)	93500-05024-0A
17	SCREW, PAN (5X28)	93500-05028-0A
18	SCREW, PAN (5X40)	93500-05040-0A
19	SCREW, PAN (6X12)	93500-06012
20	NUT, HEX.(5MM)-0S	94001-05000-0S
21	NUT, HEX. (8MM)	94001-08000-0S
22	WASHER, SPRING (8MM)	94111-08000

Handlebar Top Bridge parts Diagram

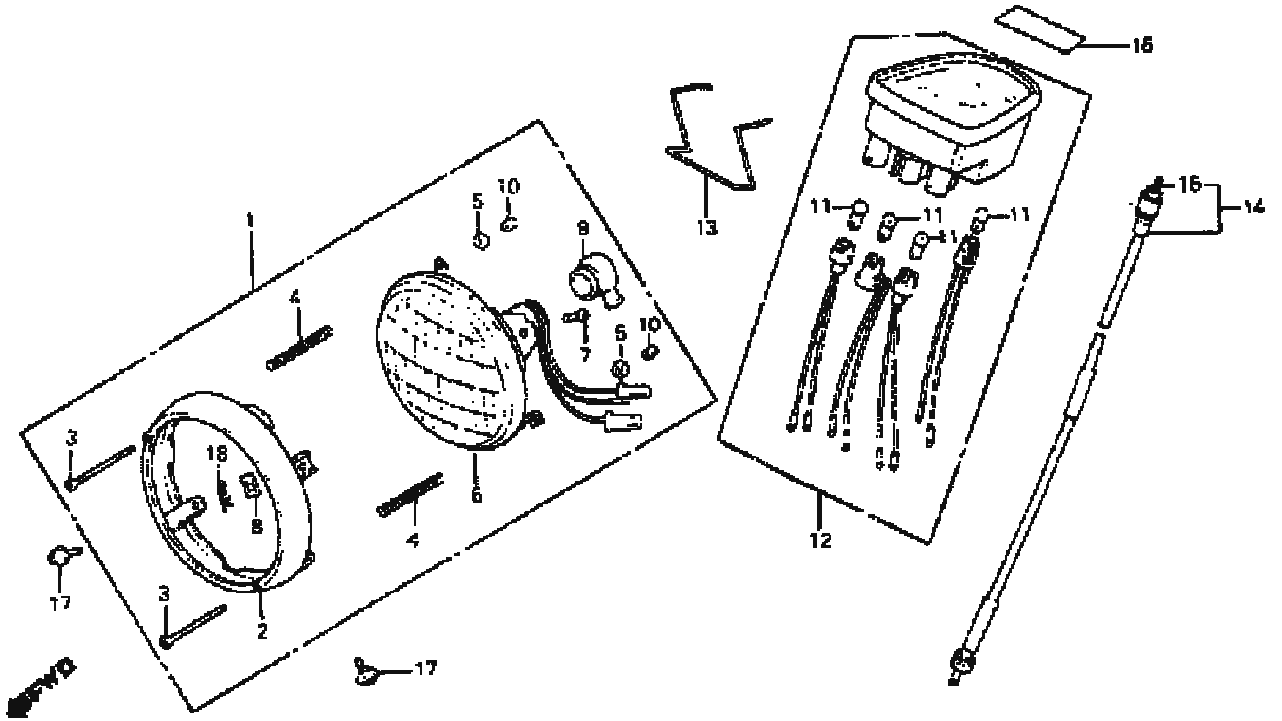


1981 Honda C70 Passport Parts Catalog

Handlebar Top Bridge parts List

Diagram No.	Description	Honda Part No.
1	PLATE, FORK TOP	51102-086-720
2	HANDLEBAR *PB31*	53100-174-670ZB
2	HANDLEBAR *R110*	53100-174-670ZC
2	HANDLEBAR *Y31*	53100-174-670ZA
3	COVER, HANDLE *PB31*	53120-174-670ZB
3	COVER, HANDLE *R110*	53120-174-670ZC
3	COVER, HANDLE *Y31*	53120-174-670ZA
4	PLUG, HANDLE COVER	53125-174-670
5	PLATE	53231-086-721
6	SEAT A	53232-172-010
7	SEAT B	53233-172-000
8	COLR, STEERING STEM	53234-171-000
9	WASHER, TOP BRIDGE	53235-086-010
10	COLLAR, TOP BRIDGE	53236-171-000
11	WASHER	53237-172-000
12	LABEL *NH1*	87560-174-770ZA
13	BOLT, HEX. (8X33)	90026-172-000
14	NUT C, STEERING STEM	95020-13100
14	NUT, STEERING STEM	90304-030-000
15	WASHER	90518-086-000
16	WASHER, TOOTHED	90552-001-000
17	BOLT-WASHER (8X12)	93481-08016-00
17	BOLT-WASHER (8X16)	93411-08016-00
18	NUT, HEX. (8MM)	94001-08000-0S
19	WASHER, SPRING (8MM)	94111-08000

Headlight Speedometer parts

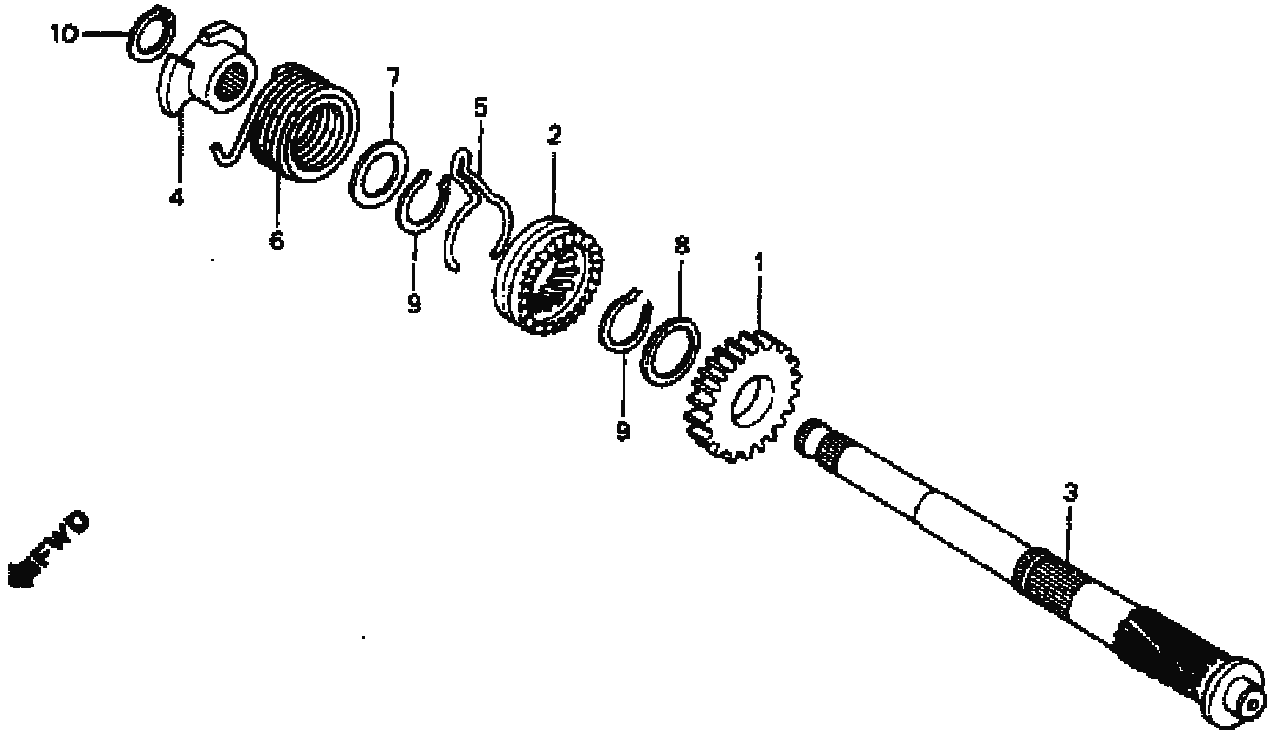


1981 Honda C70 Passport Parts Catalog

Headlight Speedometer parts

Diagram No.	Description	Honda Part No.
1	HEADLIGHT ASSY.	33100-174-672
2	RIM, HEADLIGHT	33101-174-671
3	SCREW	33102-174-671
4	SPRING	33107-030-003
5	NUT	33117-092-671
6	HEADLIGHT UNIT	33120-174-671
7	SCREW, UNIT HOLDER	33125-087-761
8	NUT, UNIT HOLDER	33128-292-670
9	COVER, RUBBER	33130-111-671
10	CVR, ADJUSTING SCREW	33136-111-671
11	BULB (6V1.7W)	34908-230-000
12	SPEEDOMETER ASSY.	37200-174-671
13	SPRING	37244-086-000
14	CABLE, SPEEDOMETER	44830-090-600
16	LABEL	87523-102-720
17	SCREW	90101-087-720
18	PIN, LOCK (5MM)	94251-05000

Kick Starter parts Diagram

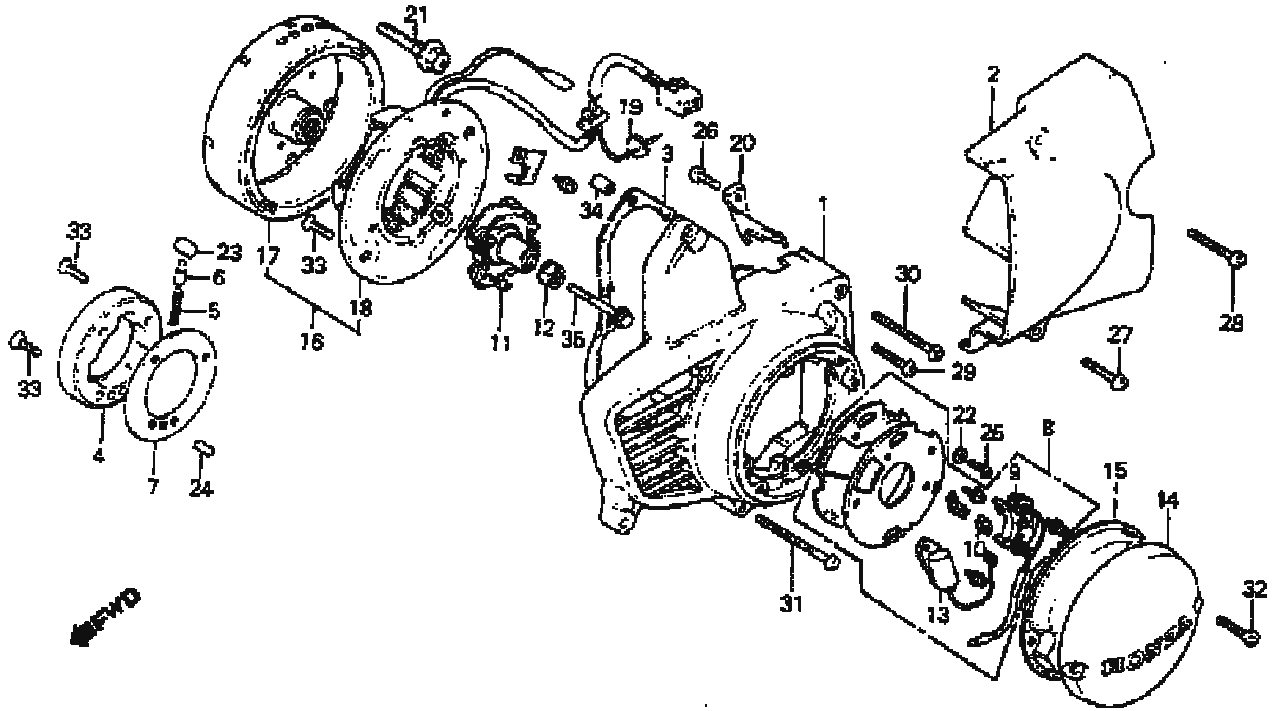


1981 Honda C70 Passport Parts Catalog

Kick Starter parts List

Diagram No.	Description	Honda Part No.
1	PINION (21T)	28211-086-700
2	RATCHET	28221-086-700
3	SPINDLE	28251-086-701
4	RETAINER	28262-041-730
5	SPRING	28271-121-690
6	SPRING, KICK STARTER	28281-035-018
7	WASHER (17MM)	90452-115-000
8	WASHER (20MM)	90454-107-000
9	SET-RING (20MM)	90605-200-000
10	CIRCLIP (16MM)	94510-16000

Left Crankcase cover alternator parts

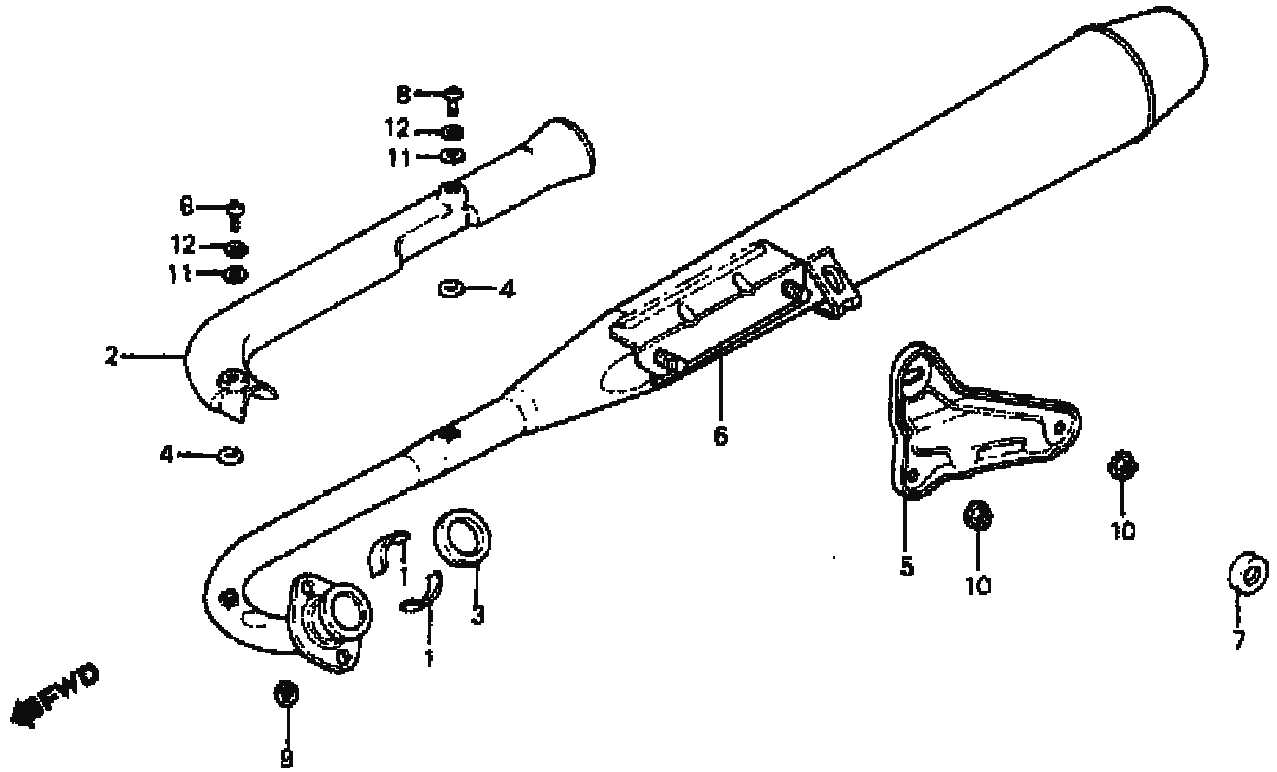


1981 Honda C70 Passport Parts Catalog

Left Crankcase cover alternator parts

Diagram No.	Description	Honda Part No.
1	COVER, L. CRANKCASE	11341-179-710
2	COVER, L. RR.	11361-086-791
3	GASKET, L.	11395-179-710
4	CLUTCH OUTER	28120-179-710
5	SPRING	28125-179-710
6	CAP	28126-253-030
7	PLATE	28128-179-710
8	POINTS ASSY.	30200-174-671
9	POINTS	30202-174-671
10	FELT, OIL	30205-300-154
11	ADVANCER, SPARK	30220-174-671
12	WASHER	30233-179-710
13	CONDENSER COMP.	30250-174-671
14	COVER, POINTS	30371-003-000
15	GASKET, POINTS COVER	30391-030-000
16	ALTERNATOR	31100-174-673
17	FLYWHEEL COMP.	31121-174-673
18	STATOR COMP.	31141-174-673
19	GROMMET	32956-179-710
20	CLAMP	32961-179-710
21	BOLT, ROTOR SETTING	90030-179-710
22	WASHER (5MM)	90482-028-000
23	ROLLER (10X10)	91101-179-710
24	ROLLER (5X11.8)	91102-179-711
25	SCREW, PAN (5X12)	93500-05012-0A
26	SCREW, PAN (6X12)	93500-06012
27	SCREW, PAN (6X20)	93500-06020
28	SCREW, PAN (6X25)	93500-06025
29	BOLT, FLANGE (6X28)	96000-06028-00
29	SCREW, PAN (6X28)	93500-06028
30	BOLT, FLANGE (6X50)	96000-06050-00
30	SCREW, PAN (6X50)	93500-06050
31	BOLT, FLANGE (6X60)	96000-06060-00
31	SCREW, PAN (6X60)	93500-06060
32	SCREW, FLAT (5X20)	93600-05020-0A
33	SCREW, FLAT (6X16)	93600-06016
34	PIN A, DOWEL (8X12)	94301-08120
35	BOLT, FLANGE (6X35)	96000-06035-00

1981 Muffler parts Diagram

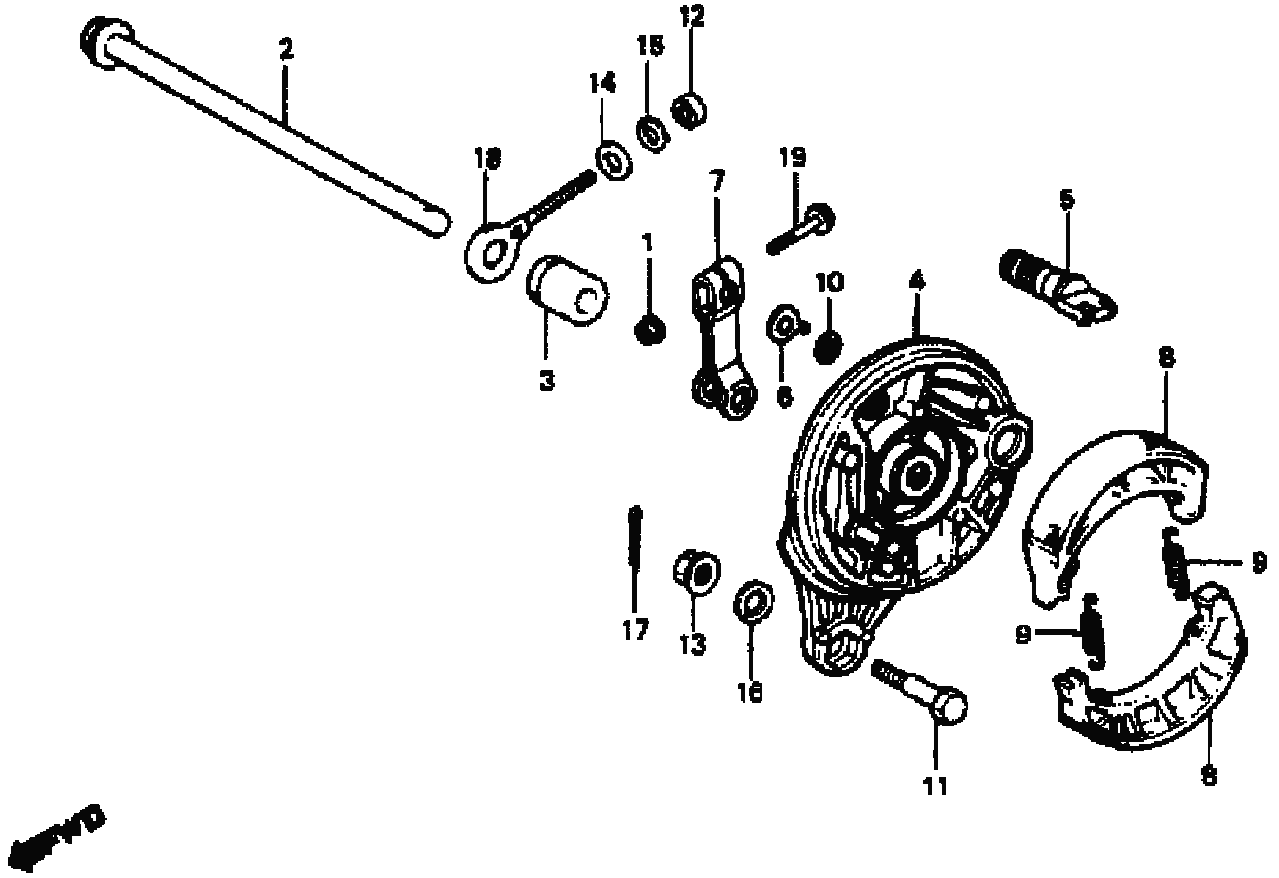


1981 Honda C70 Passport Parts Catalog

1981 Muffler parts List

Diagram No.	Description	Honda Part No.
1	COLR, EX. PIPE JOINT	18233-051-000
2	COVER, EX. PIPE	18240-174-770
3	GASKET, EX. PIPE	18291-001-010
4	GASKET, PROTECTOR	18292-167-890
5	STAY, MUFFLER *NH1*	18315-171-000ZA
6	MUFFLER COMP., EX.	18350-174-770
7	COLR, MUFFLER MOUNT	90122-141-000
8	SCREW, PAN (5X8)	93500-05008-0B
9	NUT, HEX. (6MM)	90310-KA3-711
10	NUT-WASHER (8MM)	94070-08080
11	WASHER, PLAIN (5MM)	94101-05000
12	WASHER, SPRING (5MM)	94111-05000

Rear Brake Parts Diagram



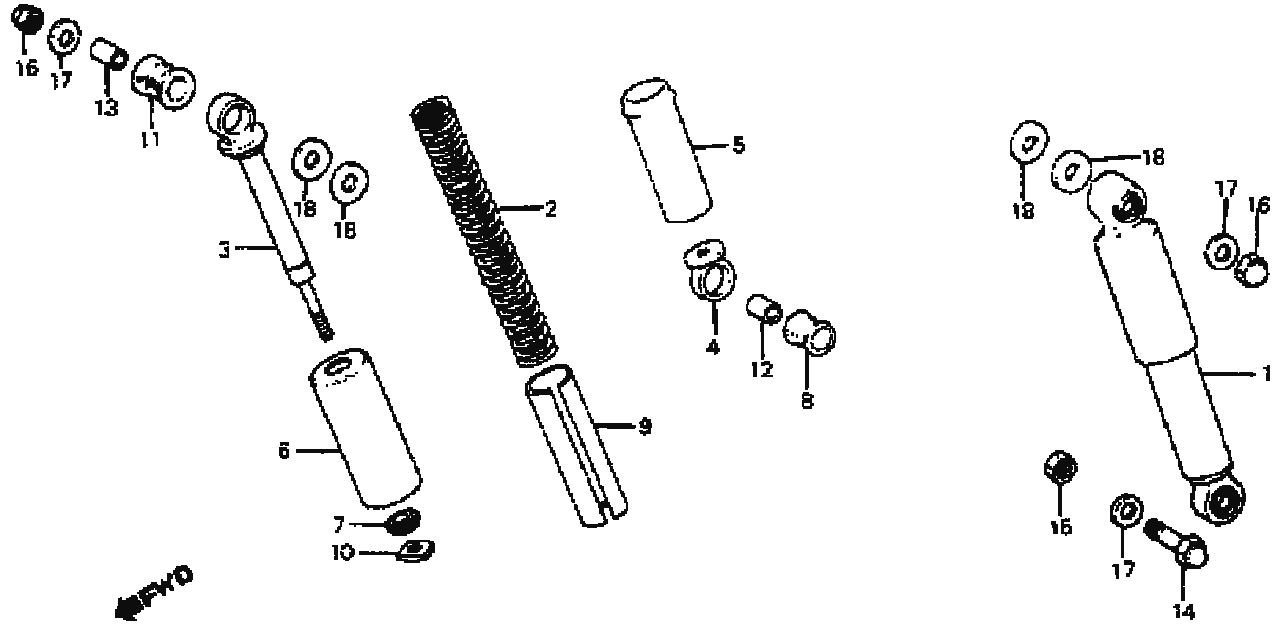
1981 Honda C70 Passport Parts Catalog

Rear Brake Parts List

Diagram No.	Description	Honda Part No.
1	NUT, FLANGE (6MM)	18362-720-000
2	AXLE, RR. WHEEL	42301-041-030
3	COLLAR, RR.	42313-041-000
4	PANEL, RR. BRAKE	43100-171-000
5	CAM, RR. BRAKE	43141-400-010
6	INDICATOR, RR. BRAKE	43145-096-700
7	ARM, RR. BRAKE	43410-171-000
8	*06450-178-932	45120-GAG-003
8	*451A2-096-305	45120-096-652
8	SHOE COMP., BRAKE	45120-096-651
8	SHOE SET, BRAKE	06450-178-932
9	SPRING, BRAKE SHOE	45133-028-000
10	DUST SEAL, BRAKE CAM	45134-250-000
11	BOLT, RR.	90127-400-000
12	NUT, HEX. (6MM)	90310-KA3-711
13	NUT, FLANGE (8MM)	94050-08000
14	WASHR,PLAIN6MM)06800	94101-06800
15	WASHER, SPRING (6MM)	94111-06000
16	WASHER (10MM)	94111-10000
17	PIN, SPLIT (2.0X15)	94201-20150
18	ADJUSTER S, R. CHAIN	95014-10010
19	BOLT, FLANGE (6X32)	95700-06032-00
900	SHOE KIT, BRAKE	06450-096-405

1981 Honda C70 Passport Parts Catalog

Rear Shock Absorber parts Diagram

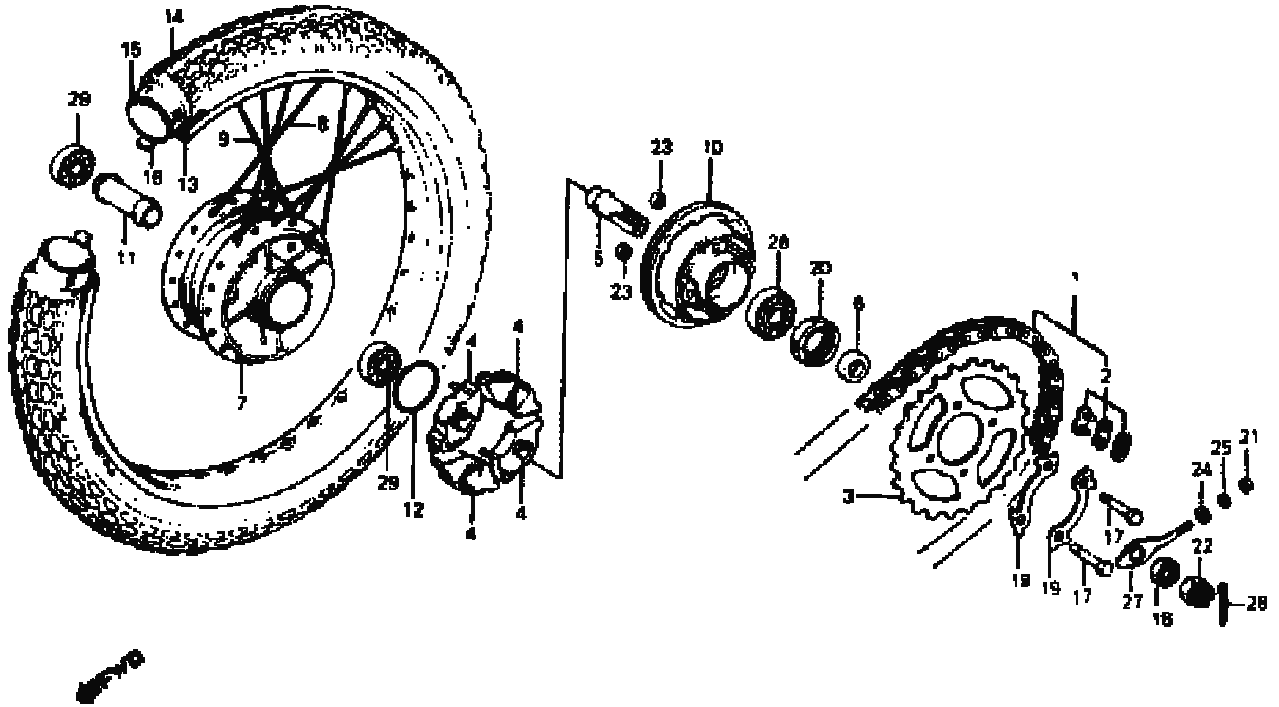


1981 Honda C70 Passport Parts Catalog

Rear Shock Absorber parts List

Diagram No.	Description	Honda Part No.
1	S/ABS *PB31/NH24*	52400-174-671ZB
1	S/ABS *R110/NH24*	52400-174-671ZC
1	S/ABS *Y31/NH24*	52400-174-671ZA
2	SPRING, RR. SHOCK	52401-174-671
3	DAMPER COMP., RR.	52410-173-000
4	METAL, RR. SHOCK	52420-171-000
5	CASE, RR. *NH24*	52423-174-671ZA
6	CASE, RR. *PB31*	52460-174-671ZB
6	CASE, RR. *R110*	52460-174-671ZC
6	CASE, RR. *Y31*	52460-174-671ZA
7	RUBBER, RR.	52475-031-010
8	BUSH, RR.	52476-001-020
9	GUIDE, RR.	52476-173-000
10	NUT, LOCK (8MM)	52481-173-000
11	BUSH, RR.	52485-173-000
12	COLLAR, RR.	52486-001-000
14	BOLT (10X45)	90129-086-000
15	NUT, HEX. (10MM)	94001-10000-0S
16	NUT, CAP (10MM)	94021-10000-0S
17	WASHER, PLAIN (10MM)	94101-10000
18	WASHER, PLAIN (12MM)	94101-12000

Rear Wheel parts Diagram

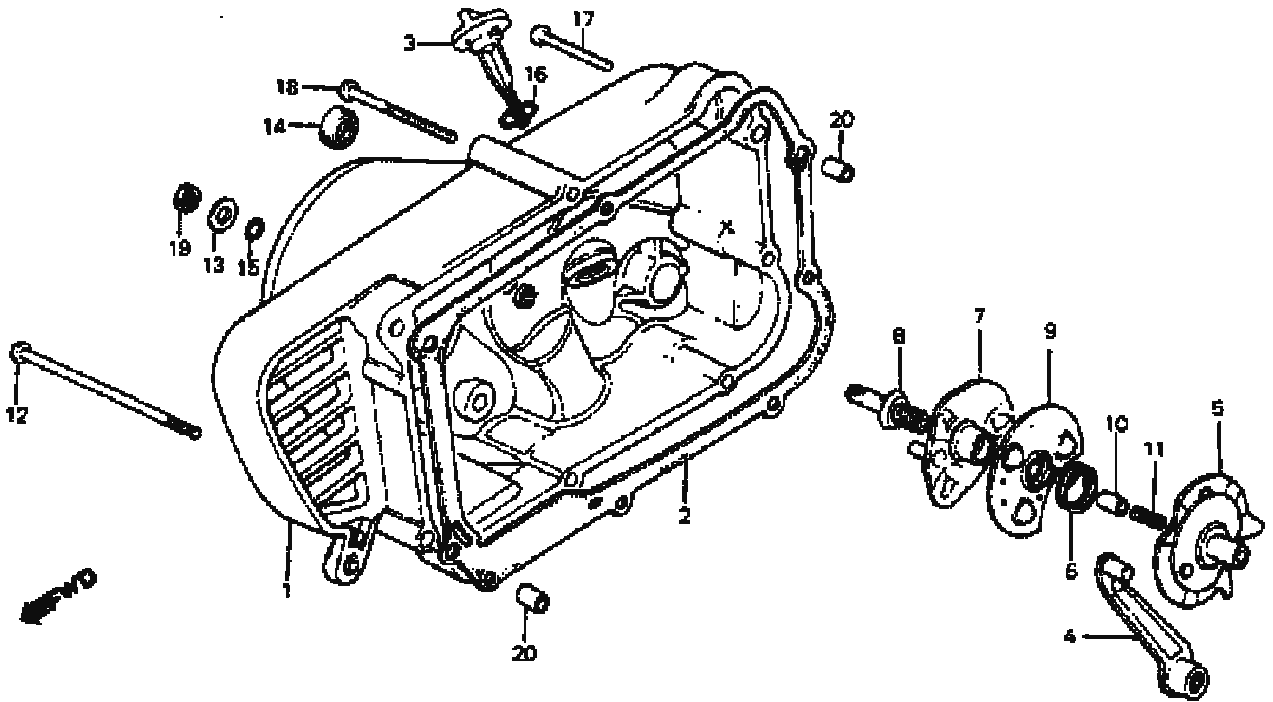


1981 Honda C70 Passport Parts Catalog

Rear Wheel parts List

Diagram No.	Description	Honda Part No.
1	CHAIN, DRIVE (92L)	405W3-179-505
1	CHAIN, DRIVE (96L)	40530-092-003
2	MASTER LINK	40531-045-671
3	SPROCKET (36T)	41201-092-720
4	DAMPER, RR. WHEEL	41241-001-050
5	SLEEVE, RR.	42303-041-000
6	COLLAR, RR.	42304-029-000
7	HUB COMP., RR. WHEEL	42601-102-670
8	SPOKE B (160X10)	42605-171-000
9	SPOKE B (160.5X10)	42606-171-000
10	FLANGE, FINAL DRIVEN	42610-041-000
11	COLLAR, RR.	42620-001-010
12	O-RING (40.5X3)	42653-001-004
13	RIM, RR. (1.40X17)	42701-030-003
13	RIM, RR. WHEEL	42701-102-791
14	TIRE (2.50-17) (6PR)	42711-174-671
15	TUBE, TIRE	44712-044-000
15	TUBE, TIRE (2.25-17)	42712-148-672M2
15	TUBE, TIRE (2.50-17)	42712-041-003
15	TUBE, TIRE (2.50-7)	08400-03010
16	FLAP, TIRE (17)	42713-001-003
17	BOLT, SPROCKET	90128-001-030
18	NUT, RR. AXLE SLEEVE	90307-001-000
19	WASHER	90522-001-000
19	WASHER (8MM)	94108-11000
20	OIL SEAL (27X40X6)	90753-029-003
21	NUT, HEX. (6MM)	90310-KA3-711
22	NUT, CASTLE (12MM)	94011-12000-0S
23	NUT, HEX. (8MM)	94030-08000
24	WASHER, PLAIN (6MM)	94101-06000
24	WASHER, PLAIN (6MM) 06800	94101-06800
25	WASHER, SPRING (6MM)	94111-06000
26	PIN, COTTER (3.0X40)	94201-30400
26	PIN, COTTER (3X30)	94201-30300
26	PIN, SPLIT (3.0X25)	94201-30250
26	PIN, SPLIT (3.0X45)	94201-30450
27	ADJUSTER, L. CHAIN	95014-10020
28	BEARING (6203)	96100-62030
29	BEARING (6301U)	96140-63010-10

Right Crankcase cover parts Diagram

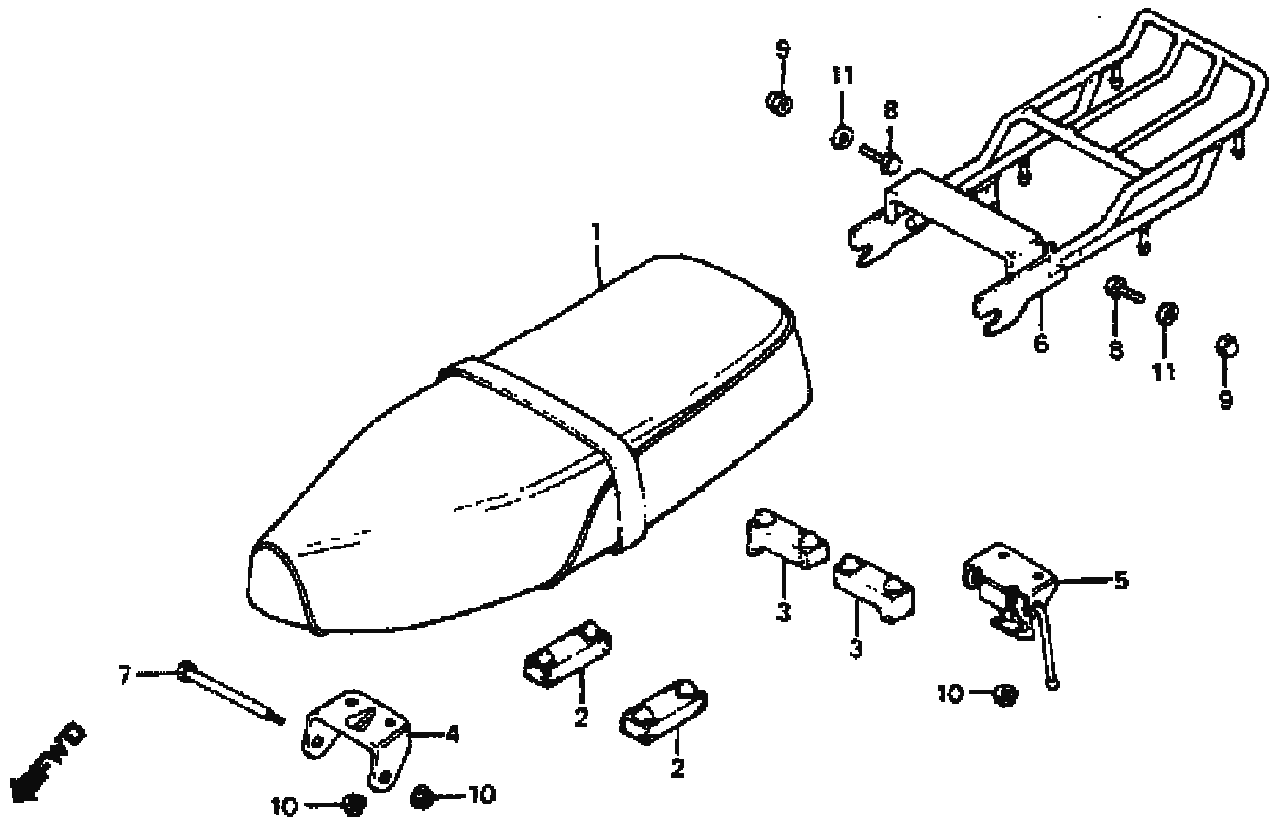


1981 Honda C70 Passport Parts Catalog

Right Crankcase cover parts List

Diagram No.	Description	Honda Part No.
1	COVER, R. CRANKCASE	11330-086-020
2	GASKET, R.	11394-035-010
3	DIPSTICK, OIL	15650-086-000
4	LEVER, CLUTCH	22811-040-020
5	PLATE, CLUTCH CAM	22820-918-000
6	SPRING	22825-046-000
7	PLATE, CLUTCH LIFTER	22830-041-000
8	BOLT, CLUTCH ADJ.	22846-040-010
9	RETAINER	22860-046-000
10	THROUGH, OIL	25551-918-000
11	SPRING, OIL GUIDE	25555-065-000
12	SCREW, PAN (6X113)	90084-086-790
13	WASHER (8MM)	90485-040-000
14	OIL SEAL (13.8X24X5)	91202-302-010
14	OIL SEAL (14X24X5)	91202-216-003
15	O-RING (8MM)	91303-001-000
15	O-RING (8X1.7)	91306-HB3-003
16	O-RING (18X3)	91307-035-000
17	BOLT, FLANGE (6X40)	96000-06040-00
17	SCREW, PAN (6X40)	93500-06040
18	BOLT, FLANGE (6X70)	96000-06070-00
18	SCREW, PAN (6X70)	93500-06070
19	NUT, HEX. (8MM)	94030-08000
20	PIN A, DOWEL (8X12)	94301-08120

Seat Rear Carrier parts Diagram

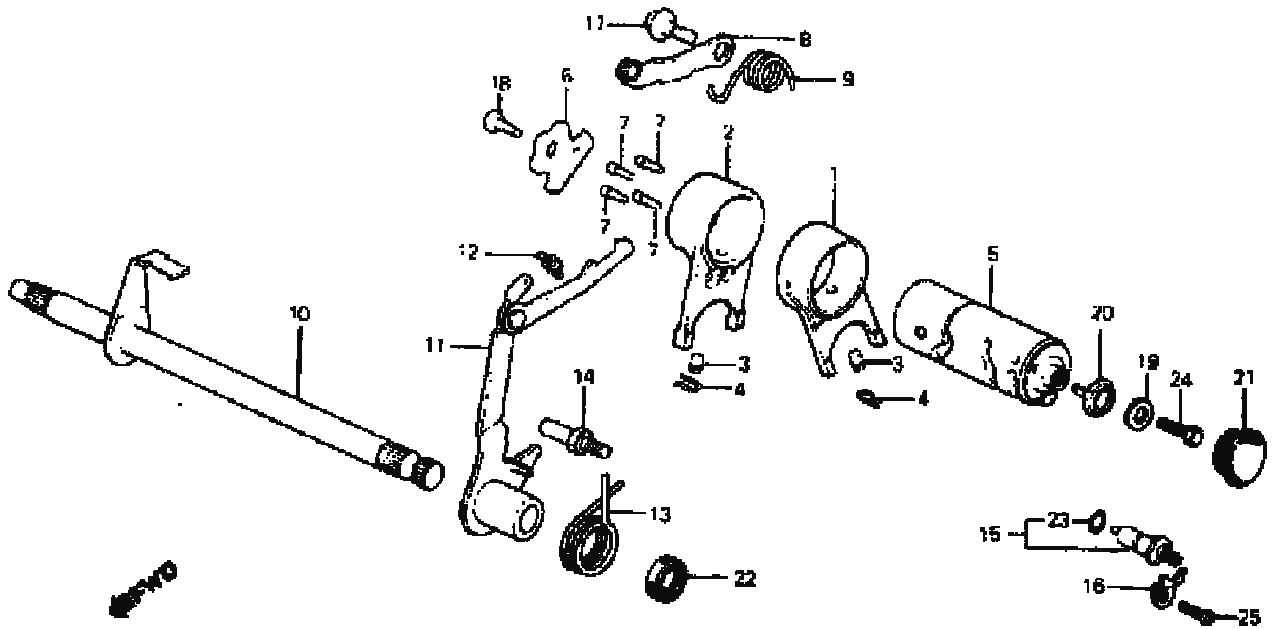


1981 Honda C70 Passport Parts Catalog

Seat Rear Carrier parts List

Diagram No.	Description	Honda Part No.
1	SEAT *NH1L/NH38L*	77200-174-405ZA
1	SEAT COMP.	77200-174-405
1	SEAT COMP. (TYPE1)	77200-174-670ZA
1	SEAT COMP. (TYPE2)	77200-174-670ZB
2	RUBBER A, SEAT MOUNT	77205-174-670
3	RUBBER B, SEAT MOUNT	77206-174-670
4	BRACKET A, SEAT	77210-121-000
5	CATCH COMP., SEAT	77230-174-670
6	SUB-CARRIER	81300-174-670
7	PIN, SEAT HINGE	90101-001-010
8	BOLT, HEX. (8X14)	92000-08014-0A
9	NUT, CAP (8MM)	94021-08000-0S
10	NUT-WASHER (6MM)	94070-06080
11	WASHER, SPRING (8MM)	94111-08000

Shift Drum Shift Fork parts Diagram

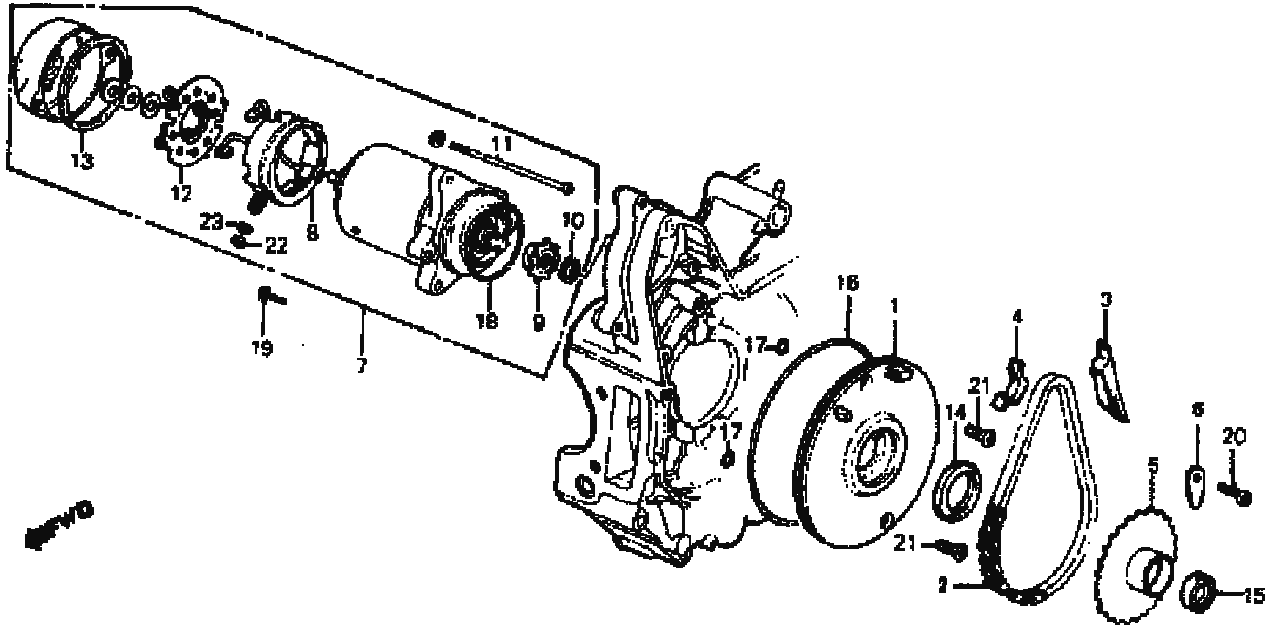


1981 Honda C70 Passport Parts Catalog

Shift Drum Shift Fork parts List

Diagram No.	Description	Honda Part No.
1	FORK, L. GEARSHIFT	24211-087-000
2	FORK, R. GEARSHIFT	24221-041-000
3	PIN	24261-028-010
4	CLIP	24263-028-000
5	DRUM, GEARSHIFT	24300-174-670
6	PLATE	24411-041-040
7	PIN, GEARSHIFT DRUM	24421-041-000
8	STOPPER	24430-041-010
9	SPRING	24435-040-000
10	SPINDLE, GEARSHIFT	24610-092-670
11	ARM, GEARSHIFT	24630-086-000
12	SPRING	24641-041-000
14	PIN	24652-035-000
15	SWITCH, NEUTRAL	35600-174-671
16	PLATE	35755-001-020
17	BOLT	90023-041-000
18	BOLT, DOWEL (6MM)	90071-171-000
18	BOLT, KNOCK (6MM)	90071-171-010
19	WASHER	90417-041-000
20	WASHER (13.2MM)	90484-045-010
21	PLUG, RUBBER (19MM)	90801-035-000
22	OIL SEAL	91203-001-000
23	O-RING (7X1.7)	91312-107-000
24	BOLT, HEX. (6X16)	92000-06016
25	SCREW, PAN (6X12)	93500-06012

Starting Motor parts Diagram

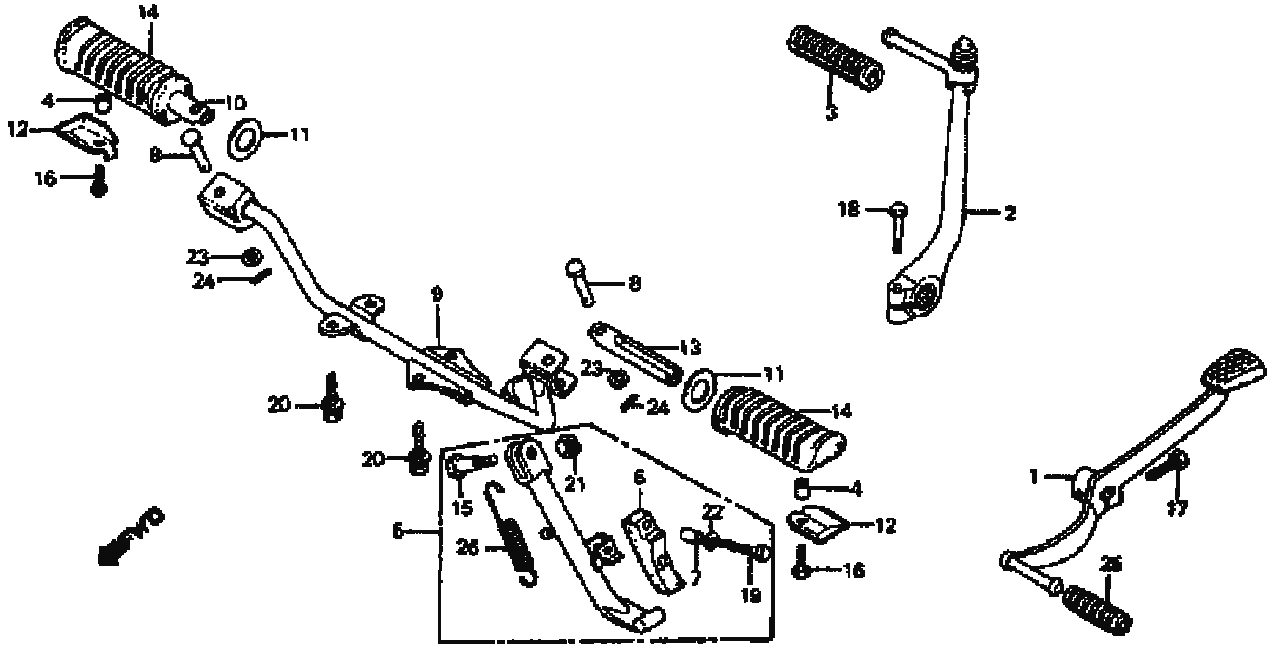


1981 Honda C70 Passport Parts Catalog

Starting Motor parts List

Diagram No.	Description	Honda Part No.
1	PLATE, OIL SEPARATOR	11321-179-710
2	CHAIN, STARTING	28101-179-711
3	GUIDE, STARTER CHAIN	28102-179-710
4	PROTR, STARTER CHAIN	28103-179-710
5	SPROCKET, STARTING	28110-179-710
6	PLATE	28117-179-710
7	MOTOR ASSY., STARTER	31200-179-711
8	TERMINAL SET, BRUSH	31201-179-711
9	SPROCKET (16T)	31202-179-710
10	CLIP	31203-003-006
11	SCREW	31205-179-711
12	HOLDER SET, BRUSH	31206-179-711
13	RING, SEAL	31207-179-711
14	OIL SEAL (30X42X4.5)	91201-179-711
15	OIL SEAL (18.9X28X5)	91202-179-711
16	O-RING (107X2)	91301-035-000
17	O-RING (6X1.7)	91317-171-003
18	O-RING (53.5X2)	91354-179-710
19	BOLT, HEX. (6X25)	92000-06025
20	SCREW, PAN (6X10)	93500-06010
21	SCREW, FLAT (6X16)	93600-06016
22	NUT, HEX. (6MM)	94002-06000
23	WASHER, SPRING (6MM)	94111-06000

Kick Starter, Kick Stand, Foot Pegs parts Diagram

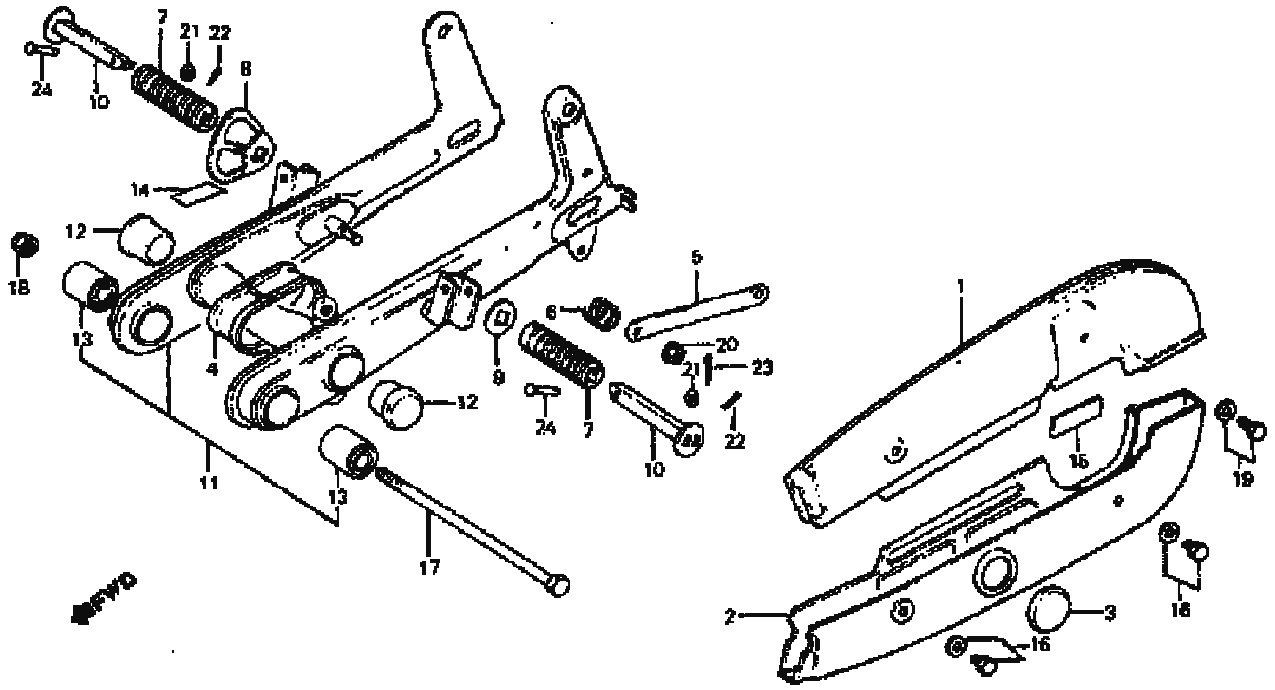


1981 Honda C70 Passport Parts Catalog

Kick Starter, Kick Stand, Foot Pegs parts List

Diagram No.	Description	Honda Part No.
1	PEDAL, GEARSHIFT	24701-174-670
2	ARM, KICK STARTER	28300-141-640
3	RUBBER, KICK STARTER	28311-342-000
4	COLLAR	37243-323-000
5	BAR ASSY. *NH1*	50520-174-670ZA
6	RUBBER, STAND	50548-324-760
7	COLLAR	50549-356-700
8	PIN, STEP BAR JOINT	50603-033-000
9	BAR, STEP *NH1*	50610-174-670ZA
10	BAR, R. STEP	50612-163-670
11	WASHER, MAIN FOOTPEG	50614-413-000
12	STOPPER, STEP RUBBER	50619-163-670
13	BAR, L. STEP	50643-163-670
14	RUBBER, FOOTPEG	50661-426-000
15	BOLT	90108-223-000
16	BOLT, HEX. (6X16)	92000-06016
17	BOLT, HEX. (6X20)	92000-06020
18	BOLT, HEX. (6X22)	92000-06022
19	BOLT, HEX. (6X28)	92000-06028
20	BOLT-WASHER (8X20)	93402-08020-00
21	NUT, HEX. (10MM)	94002-10000-0S
22	WASHER, PLAIN (6MM)	94101-06000
22	WASHER, PLAIN (6MM)06800	94101-06800
23	WASHER, PLAIN (8MM)	94101-08000
24	PIN, COTTER (1.6X25)	94201-16250
24	PIN, SPLIT (1.6X15)	94201-16150
25	RUBBER, SHIFT PEDAL	95011-40000
26	SPRING A, SIDE STAND	95014-72102

Swing arm chain guard parts Diagram



1981 Honda C70 Passport Parts Catalog

Swing arm chain guard parts List

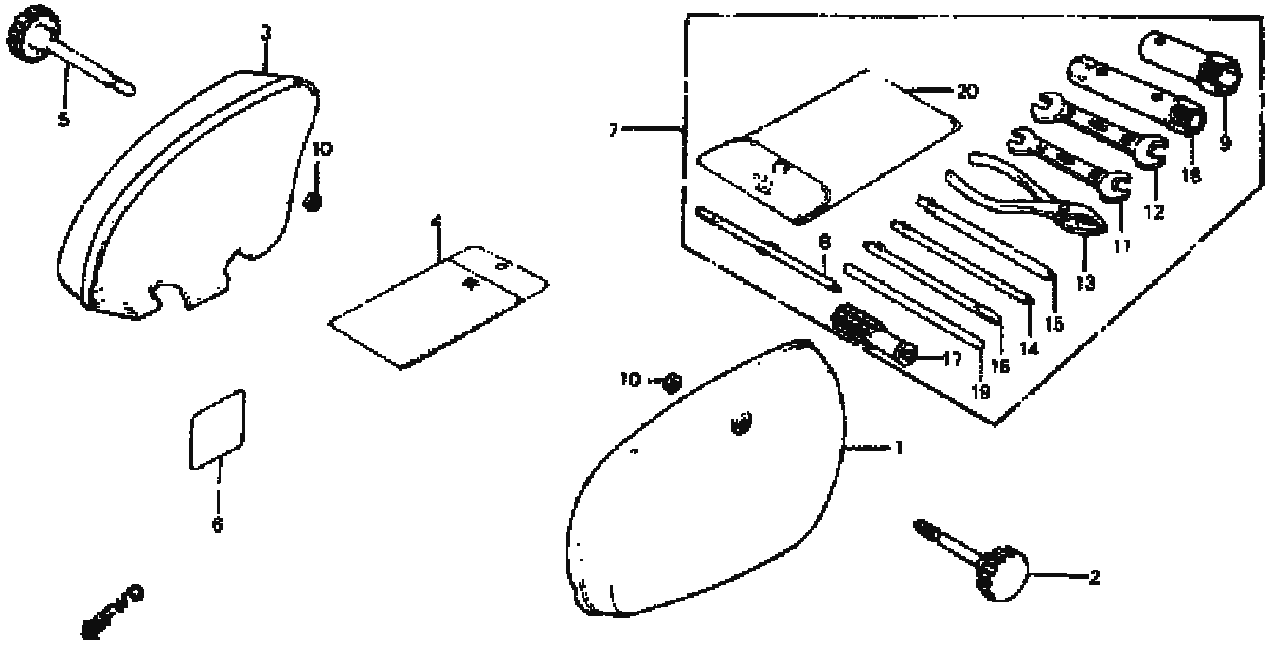
Diagram No.	Description	Honda Part No.
1	CASE (UPPER) *PB31*	40510-001-020ZQ
1	CASE (UPPER) *R110*	40510-001-020ZU
1	CASE (UPPER) *Y31*	40510-001-020ZP
2	CASE (LOWER) *PB31*	40520-001-030ZQ
2	CASE (LOWER) *R110*	40520-001-030ZU
2	CASE (LOWER) *Y31*	40520-001-030ZP
3	CAP *NH1*	40545-001-000B
3	CAP, CHAIN CASE	40545-001-000
4	GASKET	40591-041-000
5	LINK, RR.	43431-086-720
6	SPRING, STOPPER ARM	43434-250-000
7	RUBBER	50710-377-000
8	WASHER, PILLION STEP	50712-174-670
9	WASHER	50712-377-000
10	BAR, PILLION FOOTPEG	50715-377-000
11	SWINGARM SET *R110*	52000-GB5-307ZB
11	SWINGARM, RR. (PB31)	52000-GB6-000ZE
11	SWINGARM, RR. (R110)	52000-GB6-000ZF
11	SWINGARM, RR. *PB31*	52000-174-670ZB
11	SWINGARM, RR. *R110*	52000-174-670ZC
11	SWINGARM, RR. *Y31*	52000-174-670ZA
12	CAP	52161-051-000
12	CAP *NH1*	52161-051-000B
13	BUSH	52181-001-300
14	LABEL	87504-028-670
15	LABEL, TIRE CAUTION	87505-174-670
16	BOLT-WASHER (6X6)	90118-383-000
17	BOLT, SWINGARM PIVOT	90120-046-810
18	NUT (10MM)	90351-268-000
19	BOLT-WASHER (6X16)	93411-06016-00
20	NUT, FLANGE (8MM)	94050-08000
21	WASHER, PLAIN (6MM)	94101-06000
21	WASHER, PLAIN (6MM) 06800	94101-06800
22	PIN, SPLIT (1.6X12)	94201-16120
23	PIN, SPLIT (2.0X15)	94201-20150
24	PIN A, PILLION STEP	95015-81000

1981 Honda C70 Passport Parts Catalog

Tail Light Parts List

Diagram No.	Description	Honda Part No.
1	GROMMET A	17247-303-000
2	TAILLIGHT UNIT	33701-126-721
3	LENS, TAILLIGHT	33702-329-671
4	SOCKET, TAILLIGHT	33703-126-721
5	CABLE, TAILLIGHT	33708-341-671
5	WIRE, TAILLIGHT	33708-098-000
6	GASKET	33709-092-671
7	SUB-WIRE, TAILLIGHT	33711-102-730
8	WIRE	33712-098-931
9	GASKET B	33719-077-671
10	BULB (6V32/3CP)	34906-329-671
11	GROMMET B	66219-634-000
12	BRACKET COMP.	84700-174-770
13	COLR, TAILLIGHT UNIT	84706-342-000
14	RUBBER A	84905-459-670
15	COLLAR	84907-174-670
16	SCREW, TAP (4X60)	90147-147-671
17	WASHER B	90525-030-000
18	WASHER (20MM)	90581-310-000
19	BOLT, HEX. (5X20)	92000-05020-0A
19	BOLT, SLOT (5X20)	92301-05020-0A
20	BOLT, HEX. (6X12)	92000-06012
21	BOLT, HEX. (6X22)	92000-06022
22	NUT-WASHER (6MM)	94070-06080
23	WASHER, PLAIN (6MM)	94101-06000
23	WASHER,PLAIN (6MM)06800	94101-06800

Tools Side Cover parts Diagram

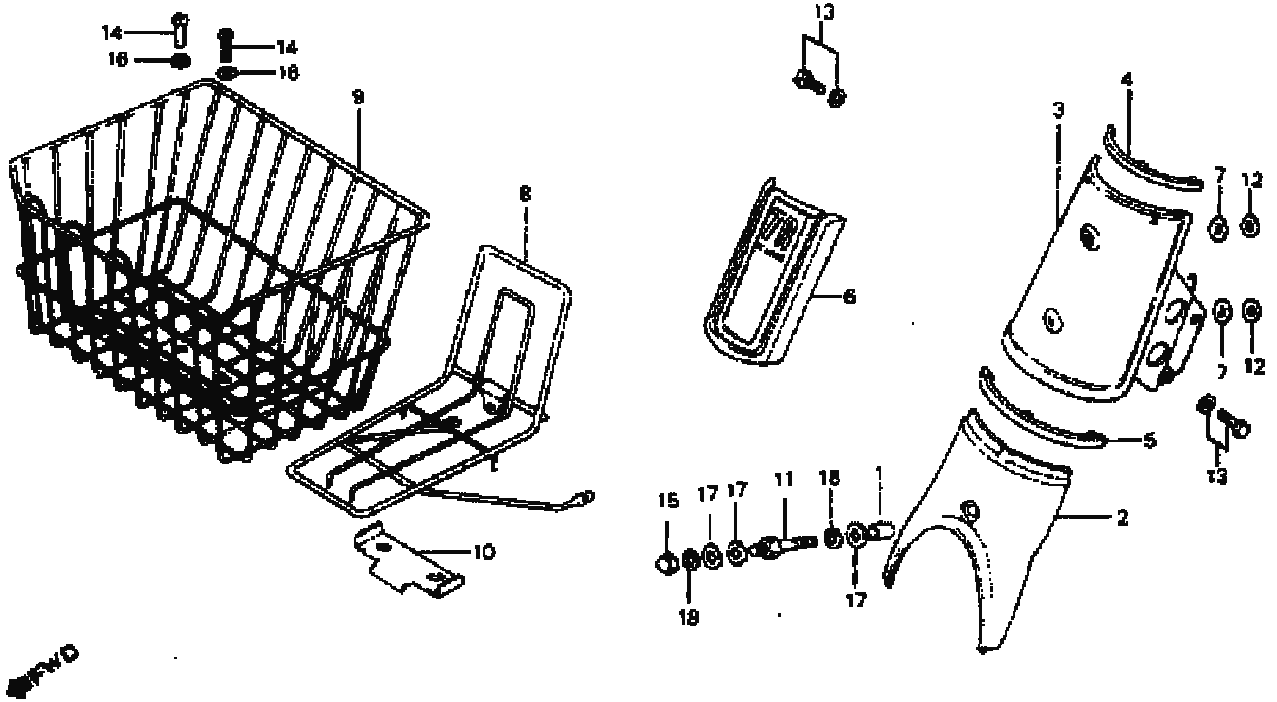


1981 Honda C70 Passport Parts Catalog

Tools Side Cover parts List

Diagram No.	Description	Honda Part No.
1	BOX, TOOL *PB31*	83500-086-000ZE
1	BOX, TOOL *R110*	83500-086-000ZK
1	BOX, TOOL *Y31*	83500-086-000ZD
2	LATCH *NH1*	83550-086-000B
3	BOX, BATTERY *PB31*	83600-086-000ZL
3	BOX, BATTERY *R110*	83600-086-000ZQ
3	BOX, BATTERY *Y31*	83600-086-000ZK
4	BAG, OWNER'S MANUAL	83642-171-000
5	LATCH *NH1*	83650-035-000B
6	MARK	87506-174-670
7	TOOL SET	89010-174-770
8	SHAFT	89102-538-000
9	WRENCH, BOX (23MM)	89214-041-000
10	NUT, HEX. (6MM)	90310-KA3-711
11	SPANNER (8X12)	99001-08120
12	SPANNER (10X14)	99001-10140
13	PLIERS (135)	99002-13500
14	SCREWDRIVER 1 (NO.2)	99003-10000
15	DRIVER 2 (NO.3)	99003-20000
16	SCREWDRIVER 3	99003-30000
17	GRIP	89103-538-000
18	WRENCH, BOX (P16X17)	99004-16170
19	BAR A, HANDLE	99005-01000
20	BAG, TOOL	89101-KJ9-000
20	BAG, TOOL (160MM)	99008-01600

Top Cover Front Carrier parts Diagram

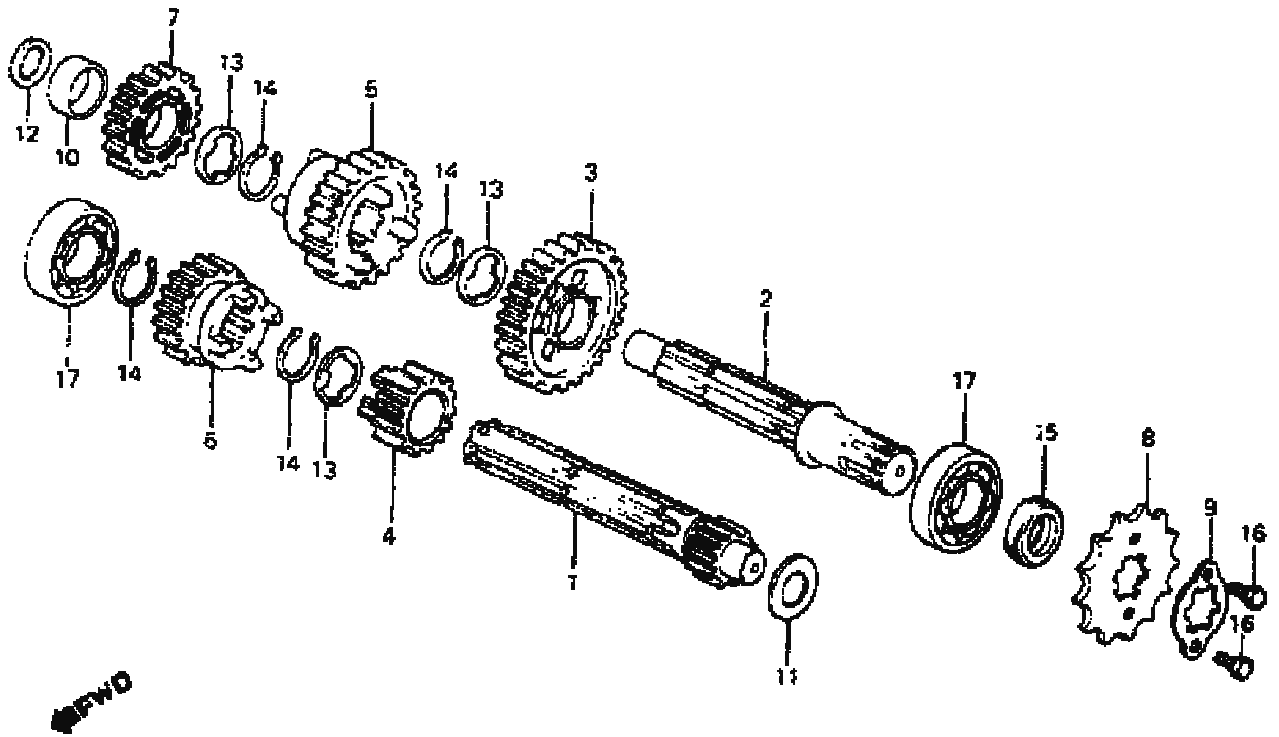


1981 Honda C70 Passport Parts Catalog

Top Cover Front Carrier parts List

Diagram No.	Description	Honda Part No.
1	COLLAR, FUEL TANK	17503-329-770
1	COLLAR, TOP BRIDGE	53236-086-000
2	COVER *PB31*	61150-086-020ZS
2	COVER *R110*	61150-086-020ZV
2	COVER *Y31*	61150-086-020ZR
3	COVER, FR. TOP *Y31*	64310-172-010ZF
3	CVR, FR. TOP *PB31*	64310-172-010ZG
3	CVR, FR. TOP *R110*	64310-172-010ZP
4	ORNAMENT, TOP COVER	64320-086-300
6	MASK, FR. TOP COVER	64330-174-000
7	RUBBER, FR.	64331-171-000
8	CARRIER, FR.	81100-086-010
9	BASKET, FR.	81311-086-810
10	PLATE, CLAMP	81312-174-670
11	BOLT, FR.	90101-086-010
12	NUT, SPEED (4MM)	90313-172-000
13	BOLT-WASHER (6X12)	93401-06012-00
14	SCREW, PAN (6X20)	93500-06020
15	NUT, CAP (8MM)	94021-08020-0S
16	WASHER, PLAIN (6MM)	94101-06000
16	WASHER, PLAIN (6MM) 06800	94101-06800
17	WASHER, PLAIN (8MM)	94101-08000
18	WASHER, SPRING (8MM)	94111-08000

Transmission Parts Diagram

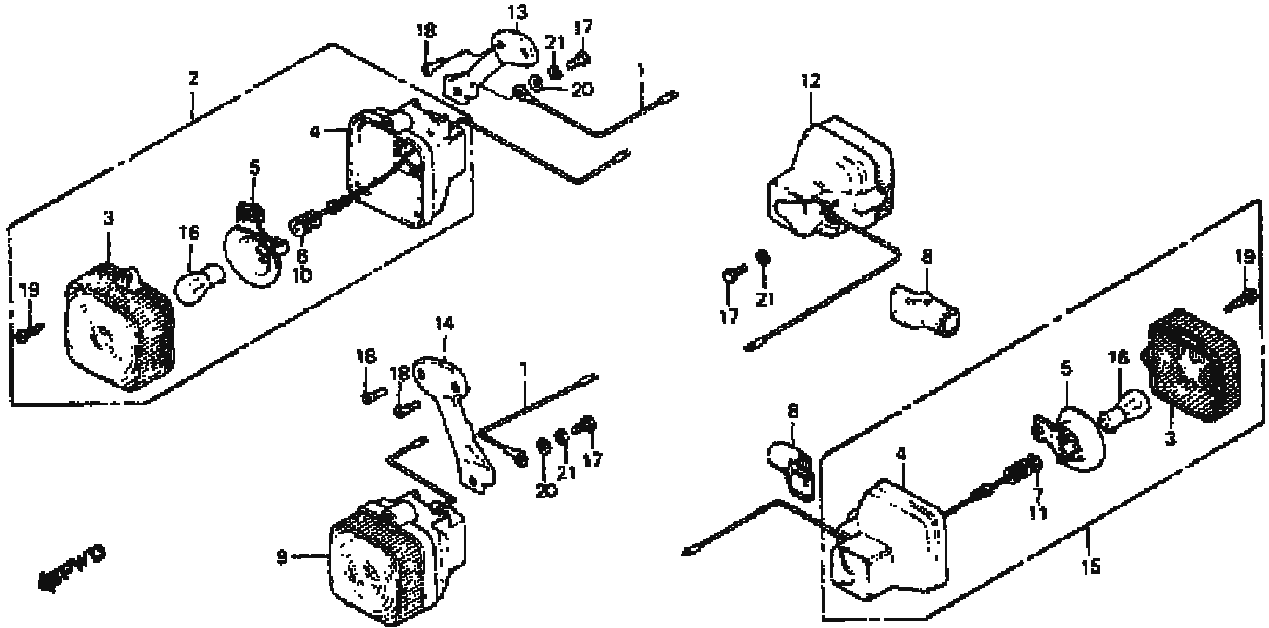


1981 Honda C70 Passport Parts Catalog

Transmission Parts List

Diagram No.	Description	Honda Part No.
1	MAINSHAFT (11T)	23211-041-020
2	COUNTERSHAFT, TRANS	23221-041-040
3	GEAR (36T)	23421-086-010
4	GEAR (18T)	23431-040-060
5	GEAR (31T)	23441-086-000
6	GEAR (21T)	23471-041-040
7	GEAR (25T)	23481-086-000
8	SPROCKET (14T)	23800-040-010
9	PLATE	23802-040-000
10	COLLAR, GEAR	23911-041-010
11	WASHER (14MM)	90451-121-000
12	WASHER (13.5MM)	90451-141-000
13	WASHER (17MM)	90461-035-000
14	CIRCLIP (17MM)	90601-001-000
15	OIL SEAL (17X29X5)	91203-035-005
16	BOLT, HEX. (6X8)	92000-06008
17	BEARING (6203)	96100-62030

81 Turn Signal parts Diagram

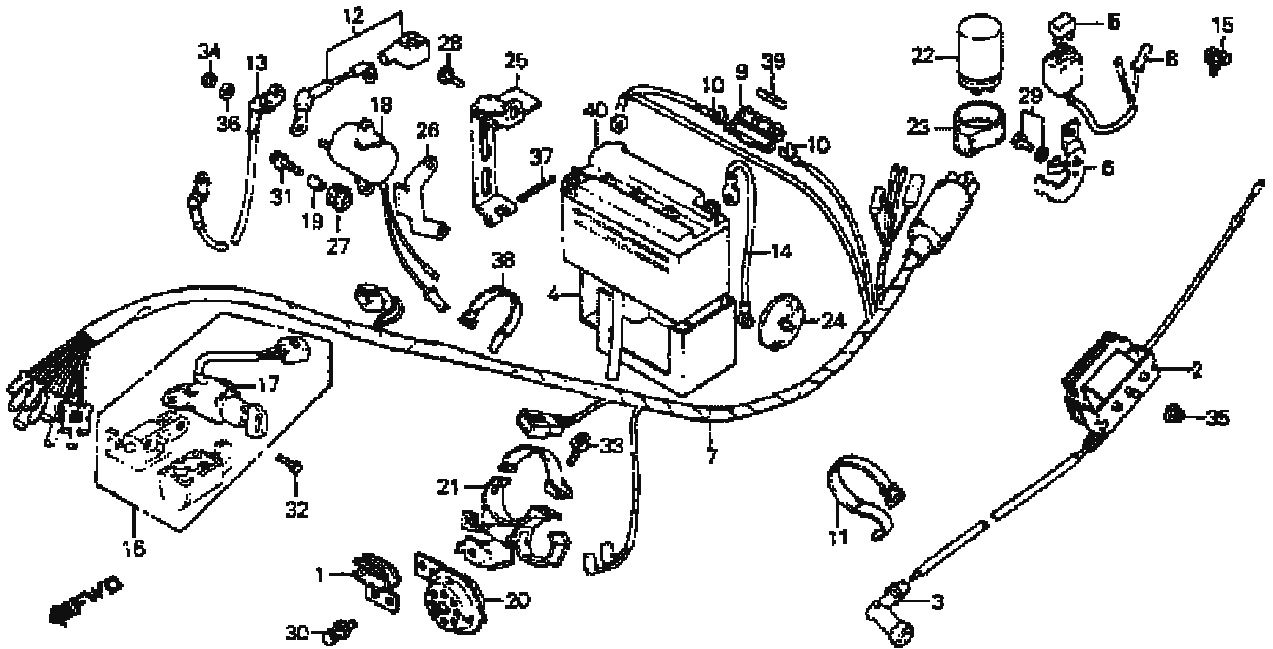


1981 Honda C70 Passport Parts Catalog

81 Turn Signal parts List

Diagram No.	Description	Honda Part No.
1	SUB-CABLE A	32111-174-670
2	TURN SIGNAL, R. FR.	33400-174-771
3	LENS, TURN SIGNAL	33402-195-003
4	BASE, TURN SIGNAL	33403-195-003
5	REFLECTOR COMP.	33404-174-771
6	WIRE, R. TURN SIGNAL	33410-166-013
8	COVER	33425-174-770
9	TURN SIGNAL, L. FR.	33450-174-771
10	WIRE, L. TURN SIGNAL	33460-166-013
12	TURN SIGNAL ASSY.	33600-174-772
12	TURN SIGNAL, L. RR.	33650-174-771
12	TURN SIGNAL, R. RR.	33600-174-771
12	WINKER LIGHT ASSY	33600-174-405
13	STAY, R. FR.	33607-174-770
14	STAY, L. FR.	33608-174-770
15	TURN SIGNAL ASSY.	33600-174-772
15	TURN SIGNAL, L. RR.	33650-174-771
15	TURN SIGNAL, R. RR.	33600-174-779
15	WINKER LIGHT ASSY	33600-174-405
16	BULB (6V17W)	34905-358-003
17	BOLT, HEX. (5X12)	92101-05012-0G
18	SCREW, OVAL (5X12)	93700-05012-0G
19	SCREW, TAP (4X16)	93901-14480
20	WASHER, PLAIN (5MM)	94101-05000
21	WASHER, SPRING (5MM)	94111-05000

Wiring Harness, Electrical parts Diagram



1981 Honda C70 Passport Parts Catalog

Wiring Harness, Electrical parts List

Diagram No.	Description	Honda Part No.
1	CLAMP, FUEL TUBE	17505-174-670
2	COIL ASSY., IGNITION	30500-179-711
2	COIL, A.C. IGNITION	30500-179-712
3	CAP ASSY.	30700-098-153
4	HOLDER, BATTERY	31505-174-670
5	RECTIFIER, SILICON	31700-124-003
6	BRACKET	31701-086-000
7	WIRE HARNESS	32100-174-670
8	SUB-HARNESS, SILICON	32105-086-000
9	CASE, FUSE CONNECTOR	32111-230-000
10	CONNECTOR, FUSE	32112-230-000
11	BAND A3, CABLE	95014-61300
11	BAND, WIRE HARNESS	32161-001-000
12	CABLE	32401-179-710
13	CABLE, STARTER MOTOR	32410-179-710
14	CABLE	32601-179-710
15	GROMMET, WIRE	32985-300-000
16	LOCK SET	35010-174-670
17	SWITCH, COMBINATION	35100-172-017
18	SWITCH ASSY.	35850-179-711
19	COLLAR	35852-179-710
20	HORN ASSY.	38110-086-721
21	BRACKET, HORN	38110-174-670
22	RELAY, TURN SIGNAL	38300-089-671
23	SUSPENSION	38306-292-000
24	RUBBER, BATTERY STAY	50326-003-000
25	BAND, BATTERY *NH1*	50373-086-690B
26	HOLDER, CONNECTOR	50374-086-690
27	RUBBER	84705-292-000
28	BOLT (6X12)	92301-06012-0A
28	BOLT, SLOT (6X12)	92300-06012
29	BOLT-WASHER (6X12)	93402-06012-00
30	BOLT-WASHER (6X16)	93413-06016-00
31	BOLT-WASHER (6X20)	93401-06020-00
32	SCREW, PAN (6X12)	93500-06012
33	SCREW-WASHER (6X22)	93891-06022-00
34	NUT, HEX. (6MM)	94002-06080
35	NUT, FLANGE (6MM)	94050-06000
36	WASHER, SPRING (6MM)	94111-06800

1981 Honda C70 Passport Parts Catalog

37	PIN, SPLIT (3.0X35)	94201-30350
38	BAND A3, CABLE	95014-61300
39	FUSE A (15A)	98200-11500
40	BATTERY (6N11)	31500-174-771
40	BATTERY (6N11-2D)	98203-64210
40	BATTERY (6V. 11AH)	31500-174-777