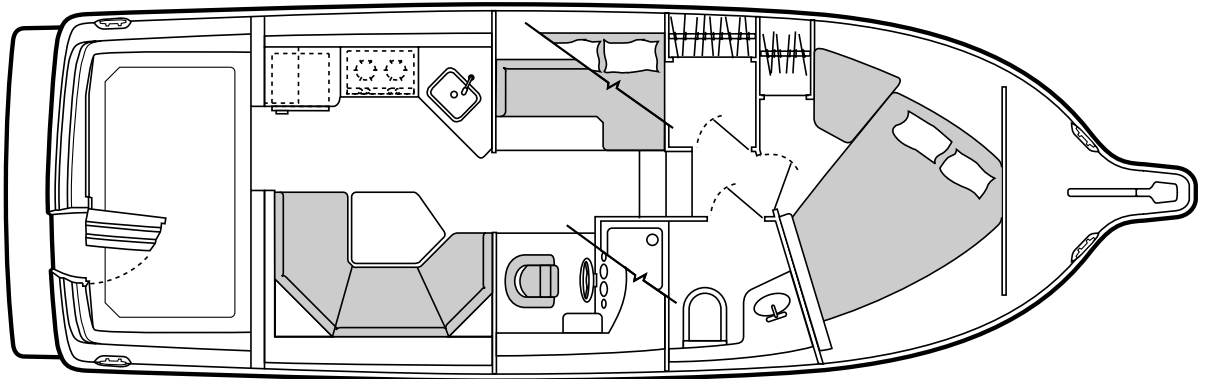


BAYLINER®

1997 PARTS CATALOG



3258 (ER) AVANTI COMMAND BRIDGE



**US MARINE
PARTS**

A Division of US Marine, a Brunswick Company

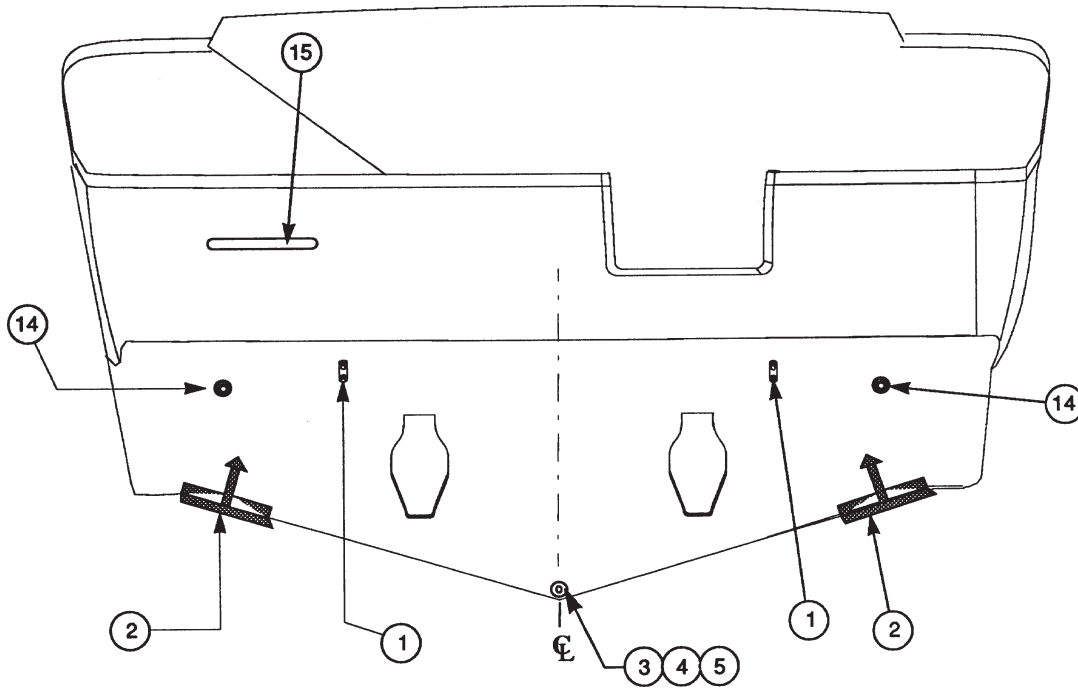
©US MARINE P.O. Box 9029 Everett, WA. 98206 Ph. (360) 435-5571 Printed in USA

ITEM NO.	PART NUMBER	PART DESCRIPTION	U/M	QTY.
1)		COVERINGS		2
		Vinyls, fabrics, gelcoat, wood, laminates, misc. materials		
2)		HULL HARDWARE		3
		Hull carpet, ext. hardware, swim step/platform, braces & ladder assy		
3)		DECK HARDWARE		6
		Gunnel, bow/taff/stern/grab/hand/consolerails, radarwing, bow platform, deck hatches & trim, deck carpet		
4)		COMMAND BRIDGE HARDWARE		11
		Rails, hardware, carpet, console		
6)		INTERIOR HARDWARE		13
		Table assy, propane system, port dash and helm console		
7)		UPHOLSTERY		16
		All uph, materials, foam, uph rails and hardware, carpet runners		
8)		TAPES AND LABELS		20
		Hull, interior, exterior, deck, C/B & H/T tapes and labels		
9)		WINDSHIELD/WINDSCREEN		22
		Windshield system, windscreen, aft bulkhead & related hardware		
10)		ELECTRICAL		25
		Wiring harness, gen. sys, air cond., int/ext lights, gauges, switches, panels console & instruments, audio-visual, communication, radar/autopilot		
11)		CANVAS		27
		Canvas is no longer available. Go to http://www.letastopshop.com		
12)		ENGINE AND CONTROL SYSTEMS		28
		Engine systems, shifter & control cables, steering sys, fuel sys, vent sys		
13)		MODULES		29
		Entertainment center assy, entry door & trim, drip rails, hanging locker, head, galley, exterior bulkhead, vanity assy, plex doors, wood assemblies		
14)		PLUMBING AND FIXTURES		36
		Bilge pump, baitwell, shower, marine head, fresh water, sink/deck/c/b drains systems		
15)		MANUFACTURING SUPPLIES		40
		Manuals, shipping materials, basic manufacturing supplies		
16)		FACTORY INSTALLED OPTIONS		41
18)		ENGINE OPTIONS		52
		Engine systems & related hardware		

ITEM NO.	PART NUMBER	PART DESCRIPTION	U/M	QTY.
HULL CARPET				
*	70129	CARPET-EAGLES LANDING	LY	
*	52594	HEADLINER- WHITE OPAL	LY	
*	36612	HULL LINER-CHARCOAL GRAY	LY	
*	61058	CARPET-KNOBHILL (CARPET RUNNERS)	LY	
*	63513	CARPET BINDING	YD	
DECK CARPET				
*	36612	HULL LINER-CHARCOAL	LY	
GELCOAT/PATCH PASTE/PAINT - HULL				
*	F7220	BASECOAT WHITE	QT	
*	F50-31943	GELCOAT WHITE/WHITE	QT	
*	F55-31943	PATCH PASTE, WHITE/WHITE	EA	
GELCOAT/PATCH PASTE/PAINT - DECK				
*	F50-55681	GELCOAT BLUE ESSENCE	QT	
*	F55-55681	PATCH PASTE, BLUE ESSENCE	EA	
*	F50-39853	GELCOAT DREAM WHITE '92	QT	
*	F55-39853	PATCH PASTE, DREAM WHITE	EA	
GELCOAT/PATCH PASTE/PAINT - DASH				
*	F7220	BASECOAT- WHITE	QT	
*	F50-58503	GELCOAT DRIFTWOOD SILK	QT	
*	F55-58503	PATCH PASTE, DRIFTWOOD SILK	EA	
MISC. WOODSHOP MATERIALS				
*	53532	1/2"-DREAM WHITE HDPE, 54" X	SF	
*	36276	1/2" WHITE E-LAM PLYWOOD	SF	
*	50185	1/2" LAM PLY-BLACK	SF	
*	31051	EDGEBAND-7/8" BLACK	FT	
*	59765	LAMPLY 5/8" CHARCOAL FUSION	SF	
*	59765-H	LAMINATE-CHARCOAL FUSION	SF	
*	59660	SEA RAIL,ASH	LF	
*	58348	1/2" PROLITE UPH. BRD. 48 X 96	SF	
*	59230	3/4" PROLITE UPH. BRD. 48 X 96	SF	
*	65789	5/8" LAMPLY, SAIL WHITE 4 X 8	SF	
*	65789-T	EDGE BAND - 15/16" SAIL WHITE GLOSS	FT	
*	55293-V	VE-NEUTRAL WHITE-GLOSS	SF	
*	54620	3/4" DREAM WHITE-HDPE 54 X 96	SF	
VINYL				
*	55185	WALL COVERING-IVORY PATINA	LY	
*	62737	VINYL-CUDDYMATE IVORY X	LY	
*	65958	VINYL-CARMELE	LY	
*	65092	VINYL-ULTRA LEATHER BUFF	LY	
*	65377	VINYL-MIDNIGHT BLUE	LY	
*	33897	VINYL- JET BLACK	LY	
*	55610	VINYL-DRIFTWOOD SILK	LY	
*	65375	VINYL-GEL WHITE DI-ELECTRIC	LY	
*	65864	VINYL-MICA FROST	LY	
*	61980	VINYL-GEL WHITE X	LY	
FABRIC				
*	65663	FABRIC - TERRANOVA SMOKE (PILLOWS)	LY	
*	66127	FABRIC - SHADOW MERLOT (PILLOWS)	LY	
*	59766	FABRIC,SANDWASH AQUA (PILLOWS)	LY	
CANVAS				
*	35250	BLACK SUNBRELLA	LY	
*	NOT SHOWN			
FOR VERIFICATION OF COLOR, REFER TO 1997 COLOR CHART.				

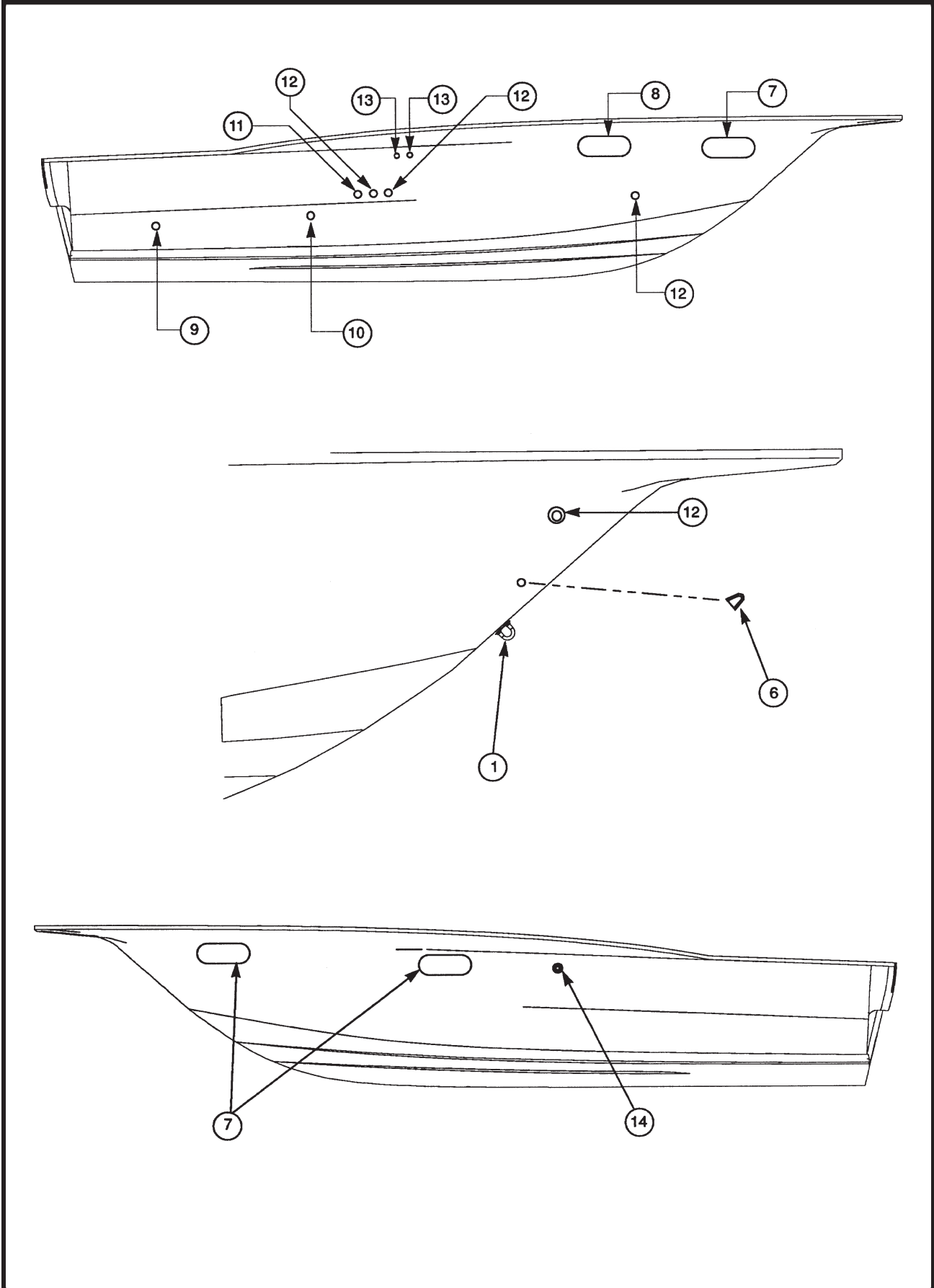
ITEM NO.	PART NUMBER	PART DESCRIPTION	U/M	QTY.
HULL EXT HARDWARE				
1	4456	1/2" X 3 7/16" BOW/STERN EYE	EA	3
2	39467	12X18 TRIM TAB W/RESTRICT FLO PUMP	ST	1 (1)
3	50993	GARBOARD DRAIN FLANGE	EA	1
4	2402	8 X 1 PFH SILICON BRONZE	EA	2
5	50994	GARBOARD DRAIN PLUG	EA	1
6	315-1	CLAM SHELLS MIDGET	EA	1
7	68268	PORTLIGHT, OPENING ALUM. (2 PT./1 STBD FWD)	EA	3
8	68277	PORTLIGHT, OPENING-FROSTED 3/4 D.W. (HEAD)	EA	1
9	8562	T-HULL, 1-1/8" (AFT BILGE OUT)	EA	1
10	706	T-HULL, 5/8" (A/C OPTION)	EA	1
11	6637	T-HULL, 1" (MASCERATOR)	EA	1
12	708	T-HULL, 3/4"	EA	4 (2)
13	1703	WATER/HOLDING TANK VENT FITTING	EA	2
14	709	T-HULL, 1-1/2" (DECK/GALLEY SINK DRAIN)	EA	3
15	52841	SWIM STEP GRAB RAIL WS/33852	EA	1

* NOT SHOWN

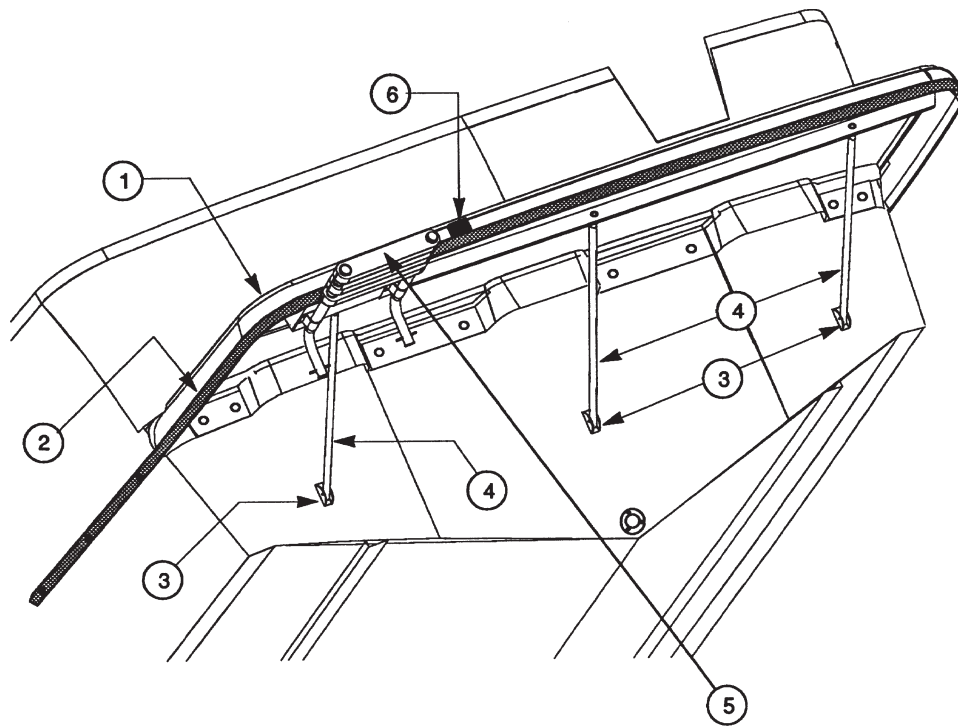


ADDITIONAL DRAWINGS ON FOLLOWING PAGE.

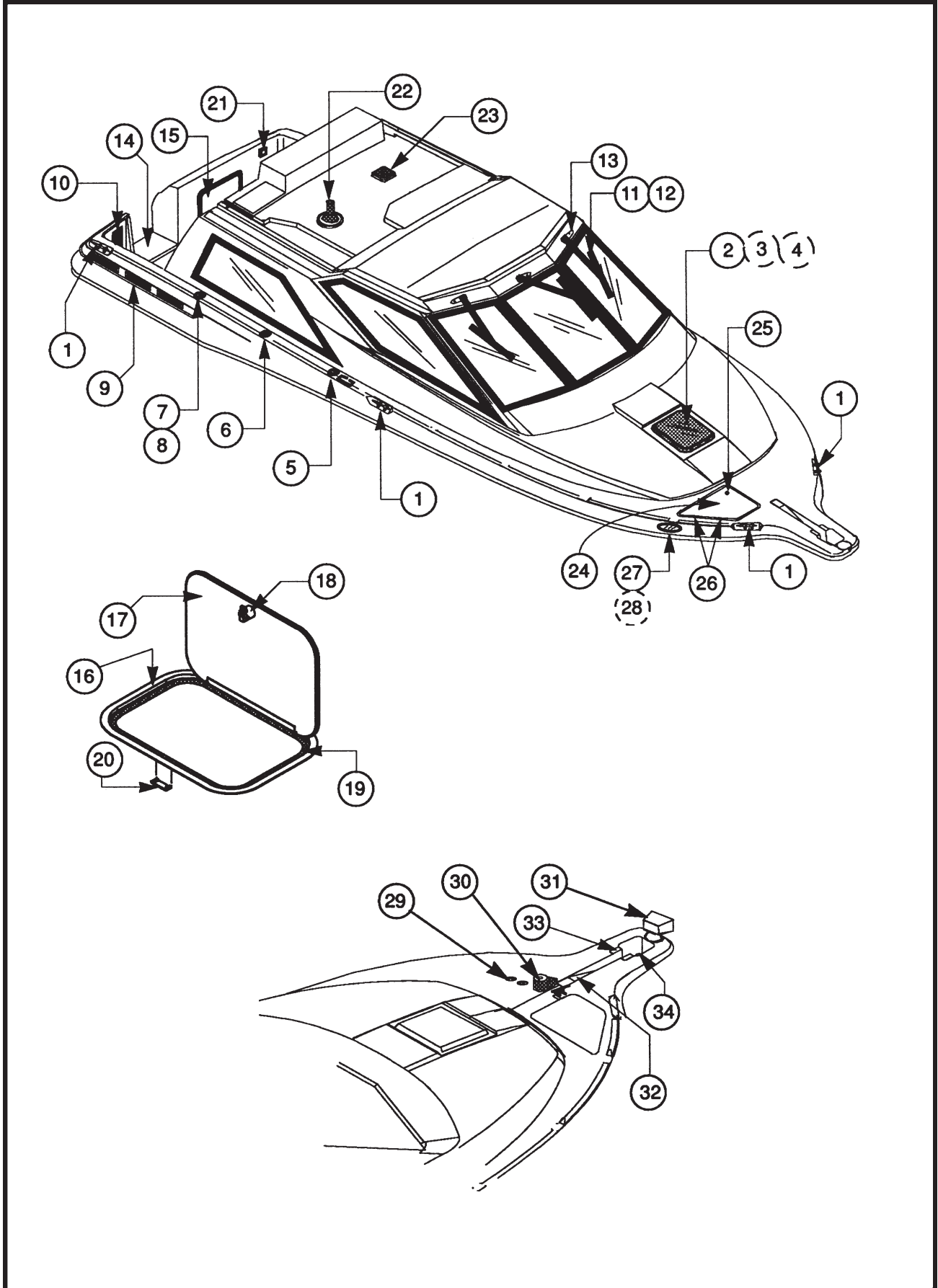
- (1) REFER TO MANUFACTURER FOR PARTS AND SERVICE - BENNETT MARINE
- (2) USED FOR FWD BILGE, SHWR SUMP, FWD HEAD SINK & CHAIN LOCKER DRAINS



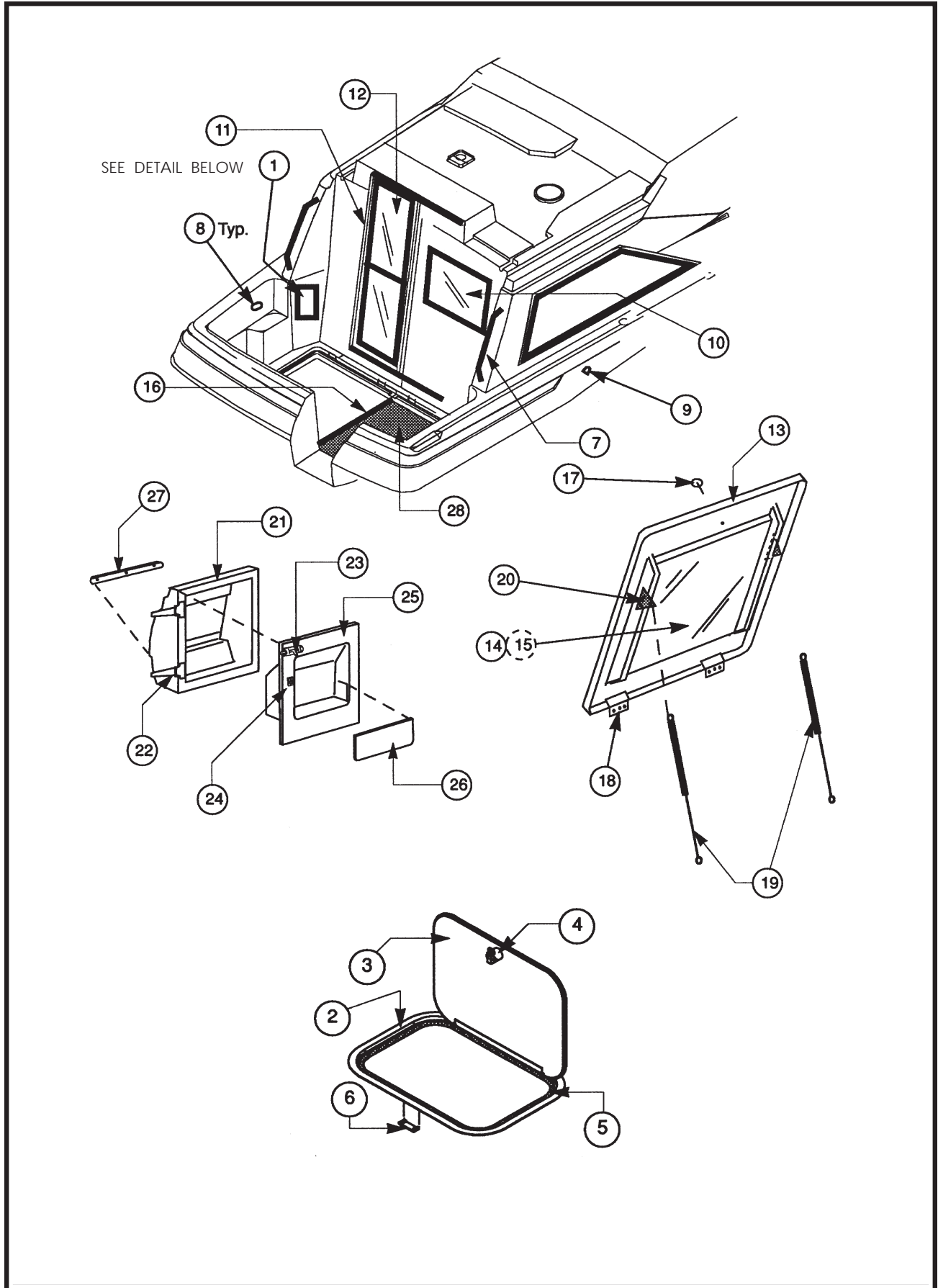
ITEM NO.	PART NUMBER	PART DESCRIPTION	U/M	QTY.
SWIM STEP/PLATFORM				
1	ER05703	LAMINATED SWIM PLATFORM W/TRIM	EA	1
2	58701	TRANSOM GD EXTRSN-BLK 20'	FT	20
3	2353	PIVOT BRACKET	EA	3
4	64145	BRACE-29.25" SWIM PLATFORM	EA	3
5	57627	LADDER,BOARDING,TELE-3STEP	EA	1
6	62962	LABEL, BOARDING LADDER WARNING	EA	1



ITEM NO.	PART NUMBER	PART DESCRIPTION	U/M	QTY.
DECK HARDWARE				
1	7769	CLEAT 10" 4-HOLE YACHT	EA	8
2	64491	HATCH,20.25"X20.25" WHT ACRYLIC	EA	1
3	64492	LRG TRIM RING 1" OFFWH. 13914-55722	EA	1
4	64493	LG. HATCH SCREEN FOR 13914 &55722	EA	1
5	11995	WASTE FITTING	EA	1
6	11993	WATER FILL FITTING	EA	1
7	11992	FUEL FILL (GAS OPTION)	EA	2
8	11994	DIESEL FILL (DIESEL OPTION)	EA	2
*	11997	REPLACEMENT FILL CAP	EA	2
9	57925	ENGINE VENT LOUVER	EA	6
10	53279	TRANSOM SHOWER	EA	1
*	57496	WIPER MOTOR ASSY	EA	3
*	58337	INT WIPER COVER	EA	3
*	13169	COUNTERSINK WASHER - CLEAR	EA	10
*	35236	SNAP CAP-PUTTY	EA	10
11	39249	WIPER BLADE 24" (DYNA)	EA	3
12	56292	WIPER ARM 24" BLACK DYNA	EA	3
13	57497	ADAPTER,PANTAGRAPH ASSY	EA	3
14	59817	TRANSOM THRESH.10' DRM WHT	FT	1
*	59856	TRIM,TRANSOM GATE, P&S,EP,ER	ST	1
15	59732	DOOR ASSY,16"X26" (AFT COCKPIT)	EA	1
16	59030	HATCH RING 16 X 26 DRM WHT/WHT	EA	1
17	59711	DOOR,D/W STBD,1/2" 15 1/2"X 25 5/8	EA	1
18	34579	GLASS DOOR LATCH/STRIKER	EA	1
19	38379	BLACK FOAM SEAL (BULB LOC)	FT	7
20	9852	ENTRY STRIKER PLATE F/ST	EA	1
21	274	POWER INLET	EA	1
22	61668	6" PEDESTAL BASE	EA	1
23	59639	TABLE BASE W/STUD	EA	1
24	86497	ROPE LOCKER HATCH	EA	1
25	3031	HATCH LIFT HANDLE	EA	1
26	54243	2 X 3 CHROME BUTT HINGE	EA	2
*	60032	HATCH CATCH	EA	1
*	35343-B	ANCHOR DEADEND	EA	1
27	58040	HORN	EA	1
28	58041	HORN GRILL	EA	1
29	36019	DECK SWITCH, WINDLASS (OWQ)	EA	1
30	59448	WINDLASS (OWQ)	EA	1
31	39918	REMOTE CONTROL SEARCHLIGHT (OWQ)	EA	1
BOW PLATFORM				
32	59466	CHAFE PLATE, BOW	EA	1
33	57382	BOW ROLLER BRACKET W/STUD	EA	2
34	57515	BOW ROLLER, 2 1/8" W/O PIN	EA	1
*	61132	BOW PULPIT FILLER (ER)	EA	1
GUNNEL				
*	8159	CHROME - 10952LOX T4 12' D&C/S	EA	7
HELM CONSOLE				
*	38200-A	COMPASS-3" DIAL FLSH MT W/PLUG	EA	1
*	60794	BLACK RIGID RUBRAIL, 12'	FT	12
* NOT SHOWN REFER TO FOLLOWING PAGE FOR DRAWINGS.				

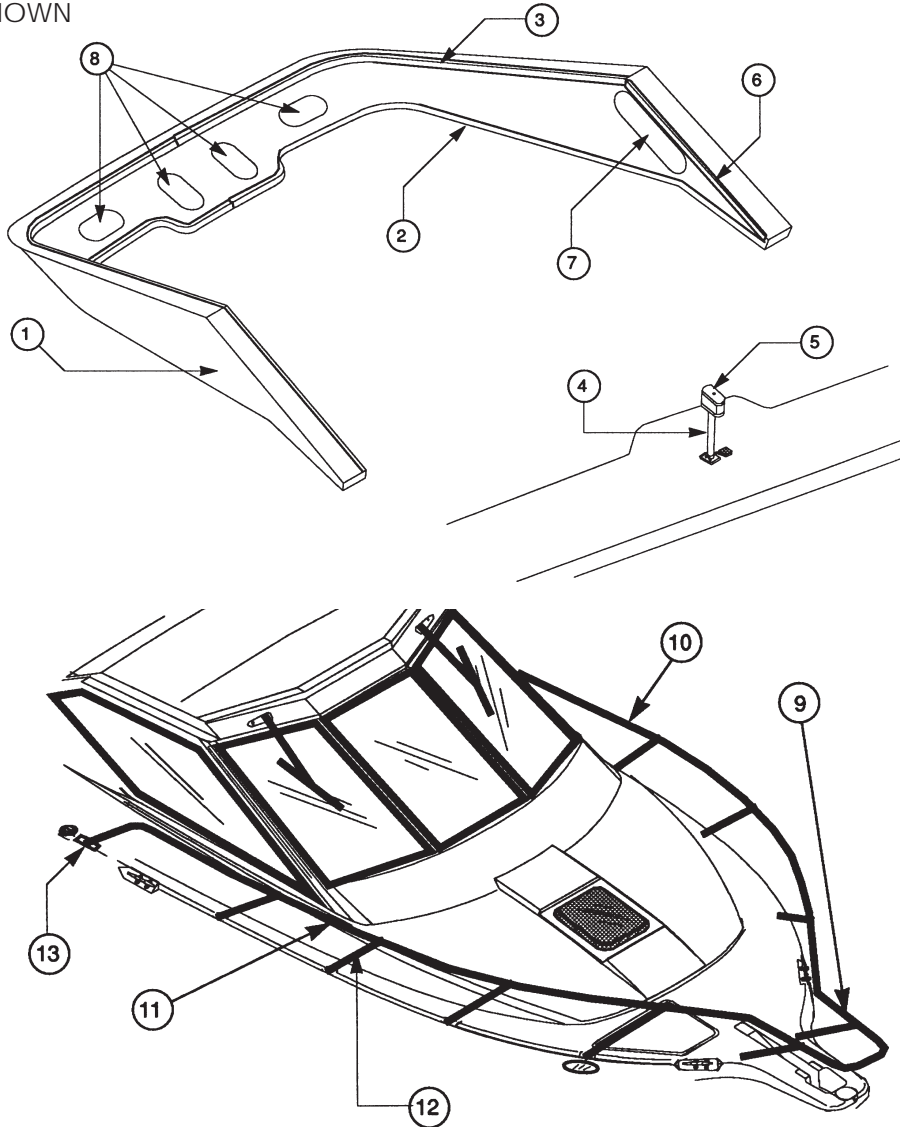


ITEM NO.	PART NUMBER	PART DESCRIPTION	U/M	QTY.
1	60660	DOOR ASSY-9.5 X 13.5 DW (BATTERY SWITCH)	EA	1
2	59891	HATCH RING 9.5X13.5 WH DRM WHT	EA	1
3	59152	TRANSOM STORAGE DOOR	EA	1
4	34579	GLASS DOOR LATCH/STRIKER	EA	1
5	38379	BLACK FOAM SEAL (BULB LOC)	FT	1
6	9852	ENTRY STRIKER PLATE F/ST	EA	1
*	60582	BATTERY SWITCH BOX FLOOR	EA	1
7	50663	GRAB HAND RAIL	EA	2
8	52928	STEP LIGHT	EA	2
9	1703	TANK VENT (TYP. PT & STBD.)	EA	2
10	59818	AFT BULKHEAD WINDOW	EA	1
11	64167	ENTRY DOOR JAM ASSY	EA	1
*	60574	THRESHOLD - ENTRY DOOR	EA	1
12	64165	AFT BULKHEAD DOOR ASSY	EA	1
*	64399	TALLEN DOOR LOCK-BLACK	EA	1
*	64340	DOOR SHIM WASHER	EA	1
*	65246	SALON DOOR COVER	EA	1
		ENGINE HATCH		
13	86498	LAMINATED ENGINE HATCH	EA	2
14	58351	1" ACOUSTICAL FOAM W/PSA	FT	3
15	4354	2" WIDE ALUM TAPE	RL	1
16	59447	ENGINE HATCH SUPPORT, 44"	EA	1
17	55352	HATCH LIFT 2.250"LONG	EA	2
18	54243	HINGE BUTT 2X3 CHROME	PR	4
*	35209	GAS STRUT "L" BRACKET (ON OUTBD HATCH BOSS)	EA	2
19	59901	GAS SPRING, 46 LBS	EA	4
20	59385	BRACKET,S/S FLUSH MOUNT	EA	6
*	33890	GRAY CANVAS WATER SEAL	FT	25
21	ER21204	TRANSOM DOOR ASSY	EA	1
21	87065	TRANSOM DOOR AND LINER	EA	1
22	8164	T-HINGE CHROME BRASS	PR	2
23	947 #2	BOLT BARREL	EA	1
*	13029	.44 X .20 TRANSPARENT DR.BUMPERS	EA	3
24	35057	DOOR STOP, CHROME, 2 3/8"	EA	1
25	59917	TRANSOM GATE LINER,DREAM WHT ABS	EA	1
26	59902	FIDDLE,TRANSOM GATE LINER,1/2" DW S	EA	1
27	ER2120401	TRANSOM DOOR GUNNEL CHROME	EA	1
	63524	REMOVEABLE CARPET RUNNER KIT		
*	63524P	PORT COCKPIT CARPET RUNNER	EA	1
28	63524S	STBD COCKPIT CARPET RUNNER	EA	1
*	61058	CARPET, KNOBHILL	LY	2
*	81	SNAP BUTTON	EA	12
*	82	SNAP SOCKET	EA	12
*	11563	SMALL BASE CANVAS STUD	EA	12
* NOT SHOWN				
REFER TO FOLLOWING PAGE FOR DRAWINGS.				

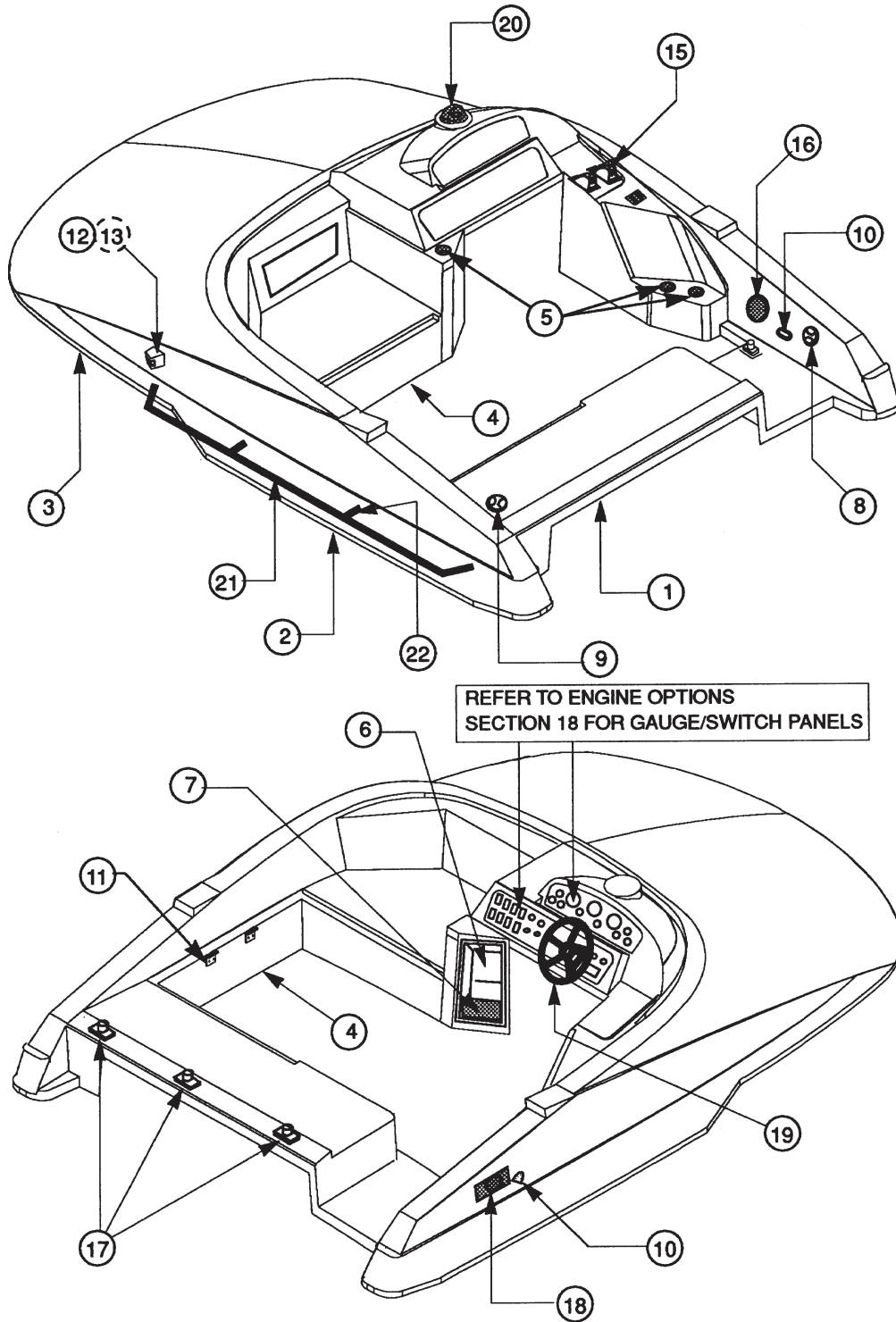


ITEM NO.	PART NUMBER	PART DESCRIPTION	U/M	QTY.
RADAR WING				
1	87143	LAMINATED RADAR WING ASSY	EA	1
2	39864	RADARWING TRIM 10'	EA	2
3	39865	RADARWING TRIM 8' LENGTH	EA	2
4	14276	48" ANCHOR LIGHT W/RATCHET BASE	EA	1
5	53754	COVER, BLACK PLASTIC	EA	1
6	38342	1/16 X 3/4 ALUM	FT	6
*	11765	3/8-16 X 3 HH SS-ALL THREAD	EA	6
7	60029	RADAR WING COVER, 1/4" D/W ABS	EA	2
8	61114	RADAR WING ACCESS COVERS,UPPER	EA	4
BOW RAIL ASSEMBLY				
9	60066	RAIL BOW DOLPHIN NOSE ER	EA	1
10	59593	RAIL BOW HEEL PORT	EA	1
11	59594	RAIL BOW HEEL STARB	EA	1
12	59582	STANCHION KIT 95 ER	EA	1
13	9826	30 DEG RAIL END SS 7/8	EA	2

* NOT SHOWN

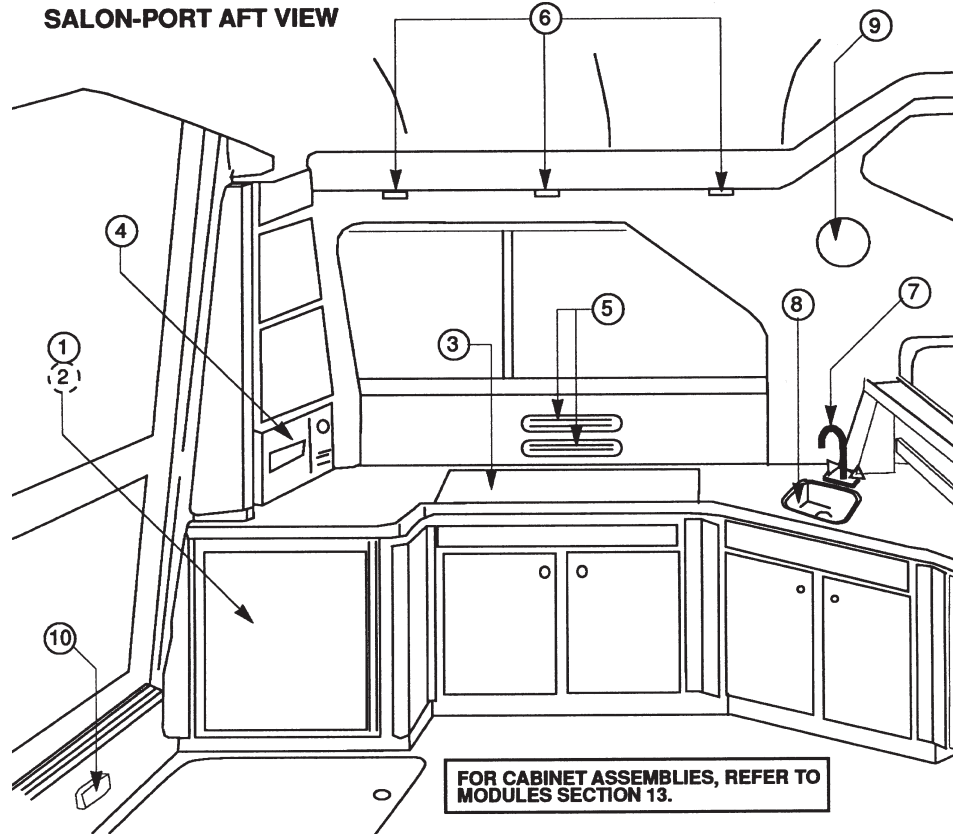


ITEM NO.	PART NUMBER	PART DESCRIPTION	U/M	QTY.
COMMAND BRIDGE HARDWARE				
1	60655	C/B VAC-FORM TRIM-ER	EA	1
2	1880	GUTTER W/LIP 12'	FT	24
3	60667	GUTTER W/O HOLES 12',T1	FT	12
*	10928	DRAIN TUBE, 5/16IDX7/16OD CLEAR	FT	1
4	1937	CHROME EDGE TRIM, 7/16" SCR 12'	FT	24
5	58750	CUPHOLDER DUAL STACK,SAND	EA	3
6	60336	C/B HELM STORAGE BOX,ER,DW ABS	EA	1
7	60543	C/B STOWAGE FIDDLE 3.5 X 8	EA	1
8	1374	DECK PLATE 4" WHITE	EA	1
9	1892	DECK PLATE-6" WHITE	EA	1
10	315-1	CLAM SHELLS MIDGET	EA	2
*	58040	HORN AM-80 UNDER DECK	EA	1
*	58041	HORN HIDDEN GRILL	EA	1
11	34530	TABLE BRACKET	ST	1
12	8028	SIDE LIGHT, PORT (RED)	EA	1
13	8027	SIDE LIGHT, STBD (GREEN)	EA	1
15	53545	SHIFT/THROTTLE	EA	1
16	60985	STEREO SPEAKER	PR	1
17	53573	90 DEGREE RECT. BASE	EA	3
18	9683	RATCHET MOUNT F/VHF ANT.	EA	1
19	61034	16" STEERING WHEEL	EA	1
COMMAND BRIDGE CONSOLE & INSTRUMENTS				
20	35978-A	COMPASS 4-1/2"DIAL SUPER SPORT	EA	1
*	4938	ROCKER SWITCH	EA	1
COMMAND BRIDGE RAILS				
21	60065	GRAB RAIL, CMND BRIDGE ER/EN (108")	EA	2
22	14418	1 3/8" RAIL STANDOFF F/ 7/8" TUBE	EA	4
*	59889	SEAT BACK RAIL	EA	1
*	59906	RAIL GRAB UPPER COMMAND (VENTURI)	EA	2
*	9826	30 DEG RAIL END SS 7/8	EA	2
COMMAND BRIDGE LADDER ASSEMBLY				
*	59853	RAIL LADDER BRIDGE ER 95	EA	1
*	56573	90 DEG RECT BASE 1" SS	EA	3
*	60816	STEP,C/B LADDER 3"X 16-3/4"	EA	5
*	ER2300102	COMMAND BRIDGE TABLE ASSY	EA	1
*	52996	TABLE MOLDING-DREAM WHITE	FT	10
*	52956	TBL TUBE INSRT,DRM WHT	FT	10
*	13156	ROUND TABLE SUPPORT	EA	1
*	59639	TABLE BASE W/STUD ANODIZE	EA	1
*	52571	TABLE BASE PLUG	EA	2
*	39727	26" LEG W/THREADS & FLANGE	EA	1
*	34530	TABLE BRACKET	ST	1
* NOT SHOWN				
REFER TO FOLLOWING PAGE FOR DRAWINGS.				

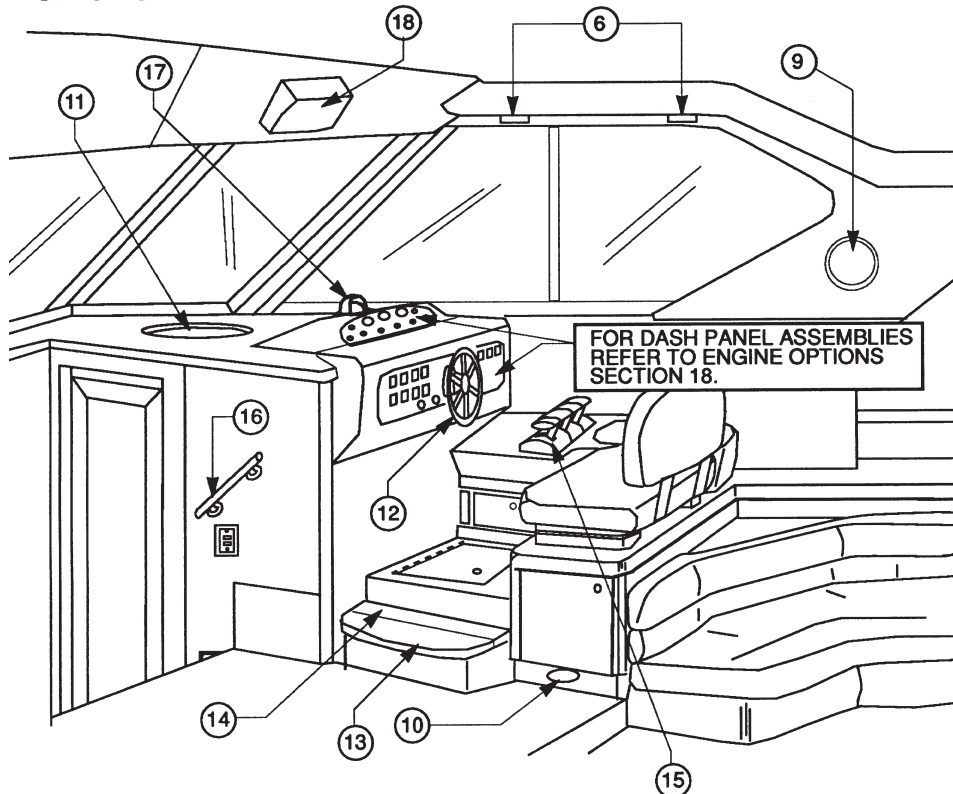


ITEM NO.	PART NUMBER	PART DESCRIPTION	U/M	QTY.
HULL INT ASSY HARDWARE				
1	59494	REFRIGERATOR-FLUSH MOUNT	EA	1
2	ER2311005	REFRIGERATOR FACE	EA	1
*	60784	STRAIN RELIEF FITTING	EA	1
*	36192	LOCK NUT F/36000	EA	1
3	10846	ALCOHOL ELECTRIC STOVE GLASS TOP	EA	1
4	64502	MICROWAVE .4 CF WHITE FRONT	EA	1
*	60126-01	BLIND, FWD PORT 3258ER	EA	1
*	60126-02	BLIND, FWD STBD 3258ER	EA	1
*	60126-03	BLIND,AFT,3258ER	EA	1
5	58475	LOUVER,D/WHITE,NON DIR,2X15	EA	2
6	58245	RECESSED LIGHT	EA	8
7	31078	GALLEY FAUCET	EA	1
8	59717	GALLEY SINK	EA	1
9	60984	DUAL CONE, WHITE STEREO SPEAKER	PR	1
10	52928	COURTESY LIGHT, DREAM WHITE	EA	2
11	59215	INTERIOR SKYLIGHT GLASS 3/16 GRY RND	EA	2
12	61034	16" STEERING WHEEL	EA	1
13	ER2311103	OUTBD HELM STEP, TEAK	EA	1
14	ER2311104	INBD HELM STEP, TEAK	EA	1
15	53546	LOWER STATION SHIFT/THROTTLE	EA	2
16	59904	RAILHAND,COMPANIONWAY	EA	1
17	38200-A	COMPASS	EA	1
18	58337	WIPER MOTOR COVER	EA	3
19	55955	RECESSED CEILING LIGHT	EA	3
TABLE ASSEMBLY (CHARCOAL FUSION - #59765)				
20	ER2311303	SALON TABLE ASSY	EA	1
21	59659	CORNER PIECE,ASH	EA	3
22	59660	SEA RAIL,ASH	LF	11
23	14991	ASH TRIM #24	FT	7
24	60668	LEG SUPPORT 10-1/2"	EA	1
25	39729	30" TABLE LEG W/THREADS & FLANGE	EA	1
26	13156	ROUND TABLE SUPPORT	EA	1
27	59639	TABLE BASE W/STUD ANODIZE	EA	1
*	52571	TABLE BASE PLUG	EA	1
*	1199 #1	HOOK TABLE, SHORT	EA	1
* NOT SHOWN				
REFER TO THE FOLLOWING PAGE FOR DRAWINGS.				

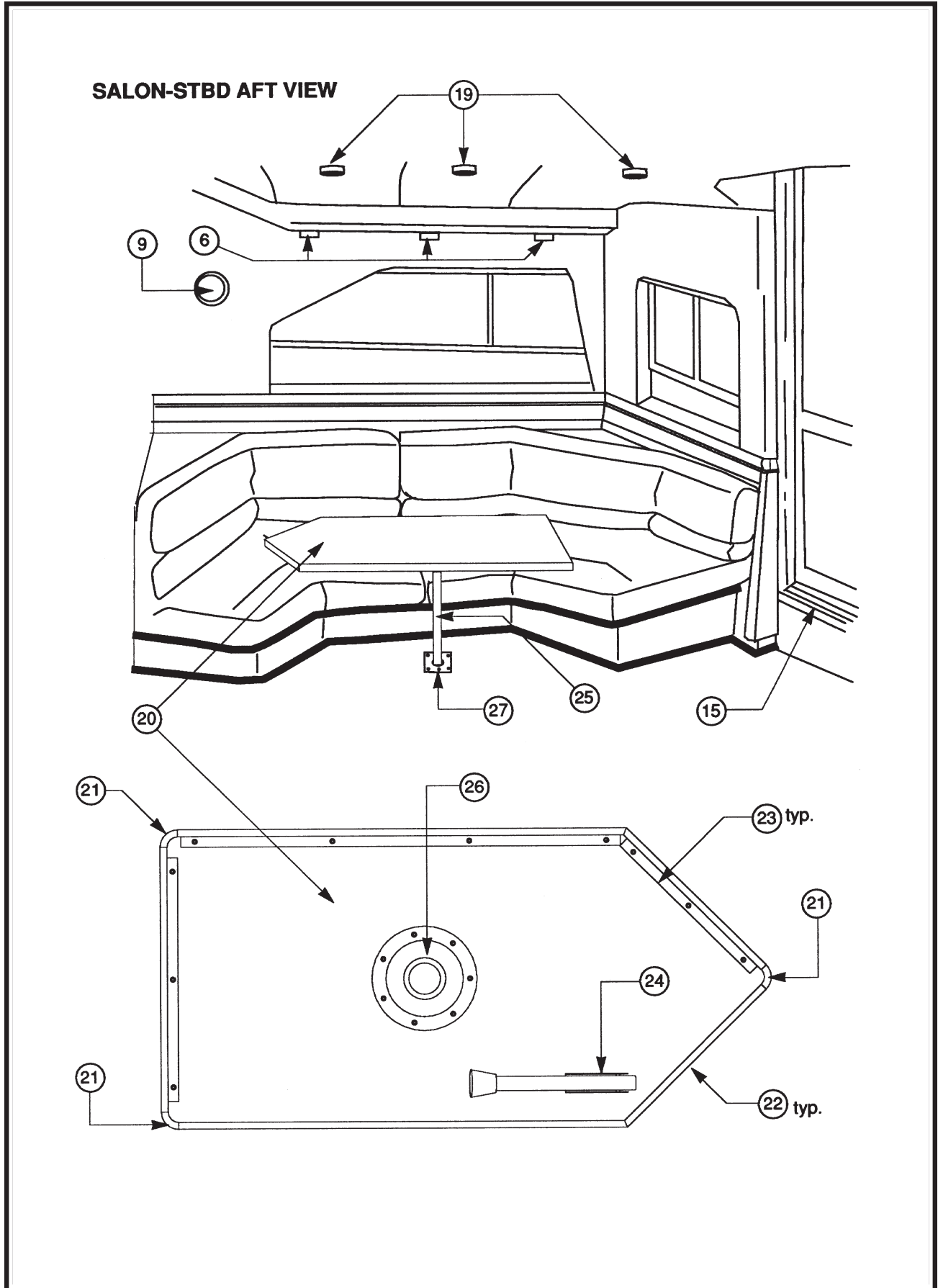
SALON-PORT AFT VIEW



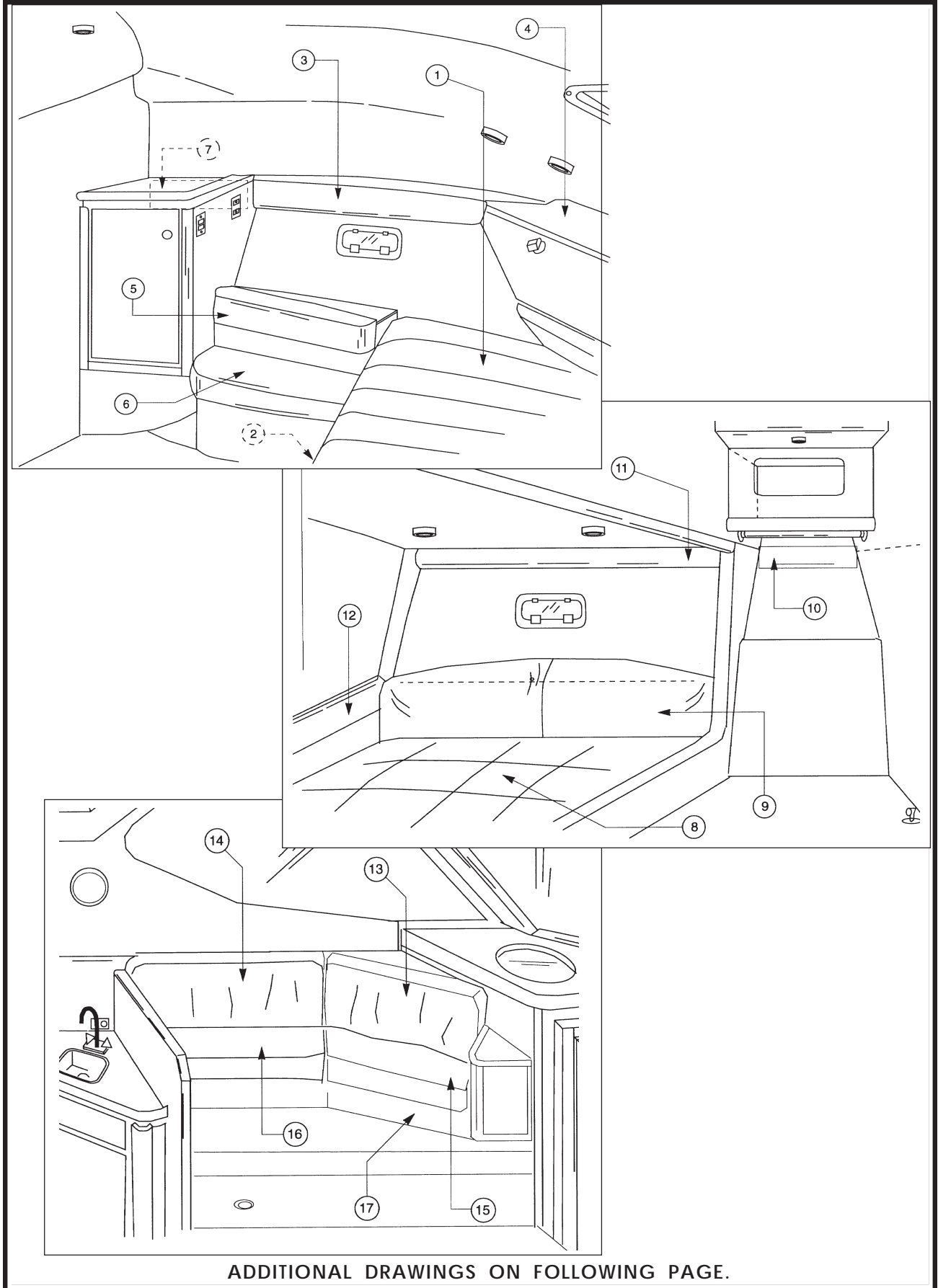
SALON-STBD FWD VIEW

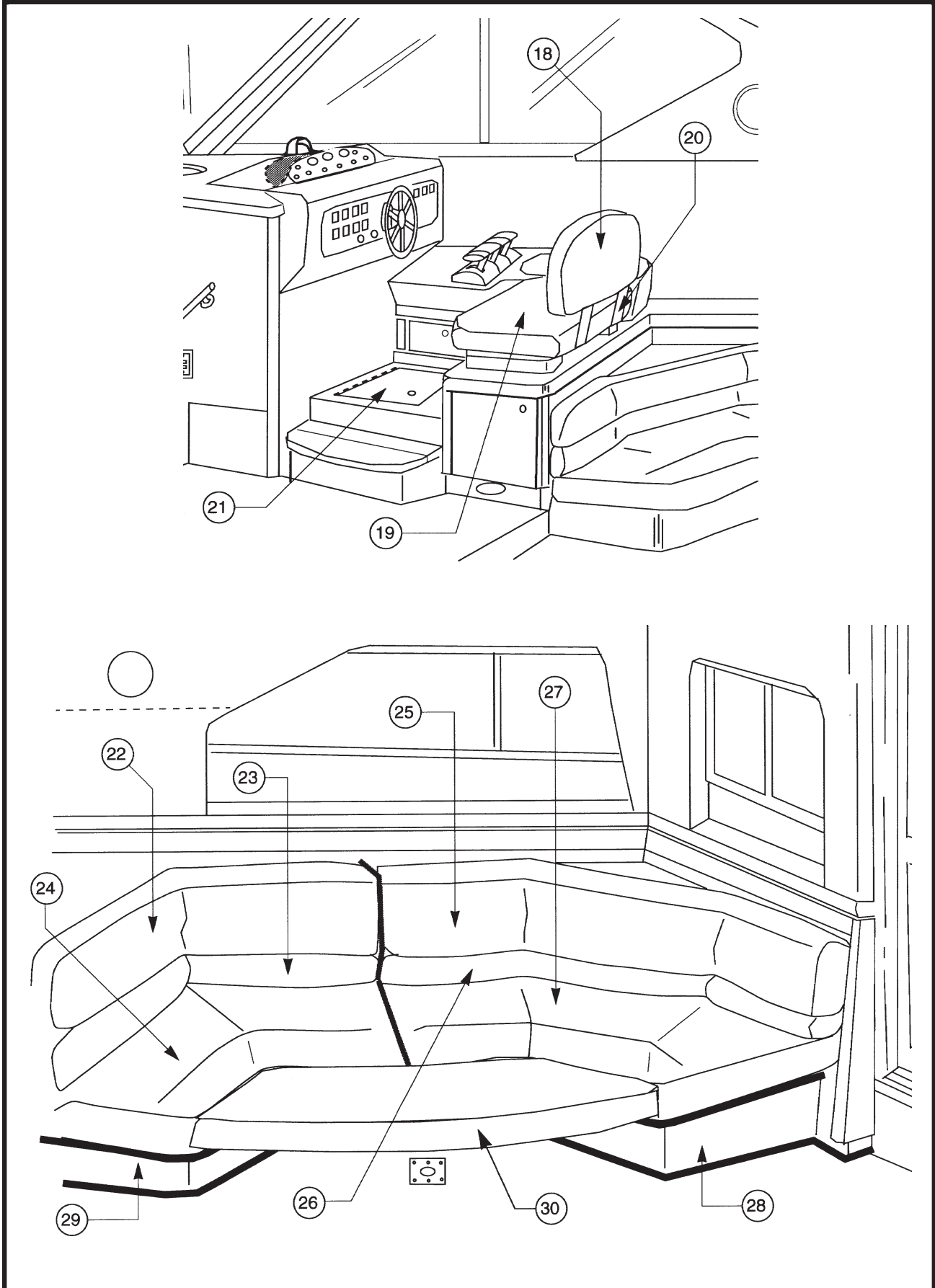


ADDITIONAL DRAWINGS ON FOLLOWING PAGE.

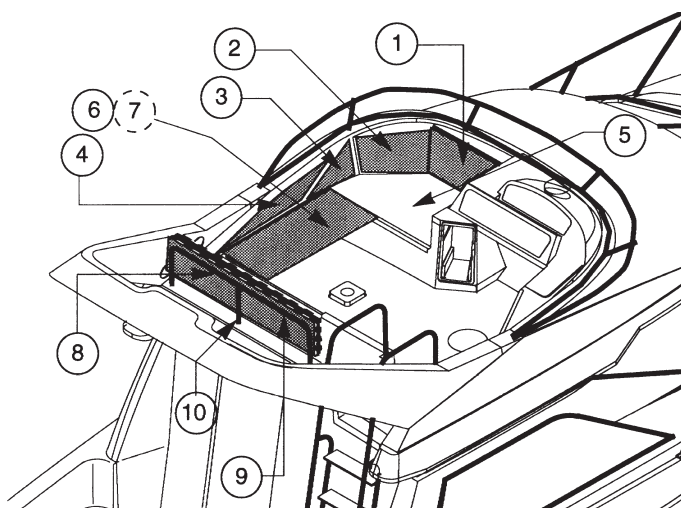


ITEM NO.	PART NUMBER	PART DESCRIPTION	U/M	QTY.
V-BERTH				
1	89649	MATTRESS	EA	1
2	89650	BUNK RISER BOLSTER PAD	EA	1
3	89651	PORT GUNWALE PAD	EA	1
*	89652	STBD GUNWALE PAD	EA	1
4	89653	ROPE LOCKER UPPER PAD	EA	1
5	89654	V-BERTH SEAT BACK	EA	1
6	89655	V-BERTH SEAT CUSHION	EA	1
7	89656	PORT AFT GUNNEL PAD (INSIDE H/L)	EA	1
PILLOW ASSEMBLIES				
*	66308	AVANTI PILLOWS/SHADOW MERLOT	EA	1
*	66309	AVANTI PILLOWS TERRANOVA SHADOW	EA	1
MID BERTH				
8	89657	MID BERTH MATTRESS	EA	1
9	89658	MID BERTH HEADBOARD	EA	1
10	89659	MID BERTH FWD GUNNEL PAD	EA	1
11	89660	MID BERTH AFT GUNNEL PAD	EA	1
*	89661	MID BERTH OVERHEAD LIGHT BOX	EA	1
*	89662	MID BERTH STORAGE CABINET	EA	1
12	89663	MID BERTH LOWER AFT BOLSTER	EA	1
MATE SEAT				
13	89664	FWD MATE BACK	EA	1
14	89665	AFT MATE BACK	EA	1
15	89666	FWD MATE CUSHION	EA	1
16	89667	AFT MATE CUSHION	EA	1
17	89668	RISER FACE PAD	EA	1
*	89669	MATE SEAT BACK CORNER SHELF	EA	1
INTERIOR HELM SEAT				
18	89671	HELM SEAT BACK	EA	1
19	89672	HELM SEAT CUSHION	EA	1
20	60656	SEAT BACK BRACE	EA	2
*	60381	ASSY-SEAT SLIDER	EA	1
*	60783	SHIM, 1/4", 1 3/4 X 9	EA	2
21	89673	HELM RISER BASE HATCH	EA	1
DINETTE				
22	89674	FWD DINETTE BACK	EA	1
23	89675	FWD DINETTE BACK INSERT	EA	1
24	89676	FWD DINETTE CUSHION	EA	1
25	89677	AFT DINETTE BACK	EA	1
26	89678	AFT DINETTE BACK INSERT	EA	1
27	89679	AFT DINETTE CUSHION	EA	1
28	89680	DINETTE RISER AFT BOLSTER	EA	1
29	89681	DINETTE RISER FWD BOLSTER	EA	1
30	89682	DINETTE FILLER CUSHION	EA	1
*	55692	CLEAT,SEAT 4"	EA	4
*	89683	FWD SALON VALANCE	EA	1
*	35236	SNAP CAP-PUTTY	EA	4
*	13168	SNAP CAP-BLACK	EA	6
*	13169	COUNTERSINK WASHER - CLEAR	EA	10
*	89701	GALLEY GUNNEL PAD	EA	1
*	89702	HEAD FWD GUNNEL PAD	EA	1
*	89703	STBD OVERHEAD VALANCE	EA	1
* NOT SHOWN				
FOR UPHOLSTERY SKINS ADD: -1 TO THE PART NUMBER. EX:				
14	89665-1	MATE SEAT AFT BACK SKIN	EA	1
REFER TO FOLLOWING PAGE FOR DRAWINGS.				





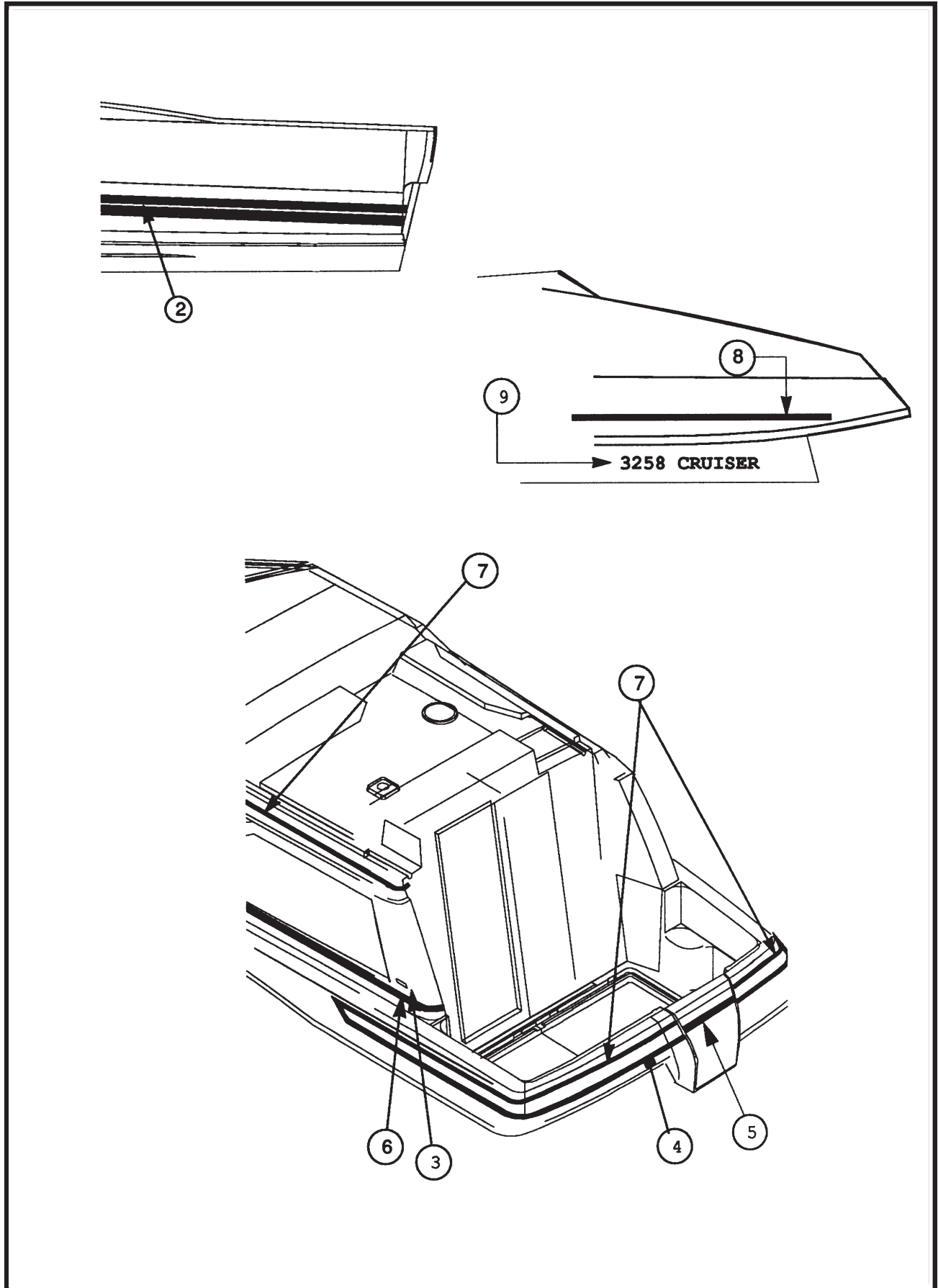
ITEM NO.	PART NUMBER	PART DESCRIPTION	U/M	QTY.
*	89684	COMMAND BRIDGE HELM SEAT ASSY	EA	1
*	89685	HELM SEAT CUSHION	EA	1
*	89686	HELM SEAT BACKINSERT	EA	1
*	89687	HELM SEAT HEADREST INSERT	EA	1
*	89688	HELM SEAT SHELL WRAP	EA	1
*	59762	SEAT SLIDER, 9 1/2" TRAVEL	EA	1
*	61668	6" PED BASE 2-7/8 DIA	EA	1
*	9111	SEAT BASE REINF PLATE-HEX	EA	1
*	32553	LOCK COLLAR F/HELM SEAT	EA	1
		COMMAND BRIDGE LOUNGE ASSY		
1	89689	FWD HINGING C/B BACK	EA	1
*	331	HINGE FLAT 1 1/2" (SOLD IN 6'L)	EA	1
2	89690	FWD/OUTBD C/B BACK	EA	1
3	89691	PORT OUTBD FWD SIDE PANEL	EA	1
4	89692	PORT OUTBD AFT SIDE PANEL	EA	1
5	89693	FWD C/B CUSHION	EA	1
6	89694	PORT OUTBD FILLER CUSHION	EA	1
*	60613	LADDER-LOCKS	PR	1
*	60534	C/B LOUNGE FILLER ASSY 20 X 42	EA	1
7	89695	AFT C/B CUSHION	EA	1
8	89696	AFT C/B BACK	EA	1
		UPH RAIL ASSEMBLY		
9	59889	RAIL BRIDGE SEAT BACK ER	EA	1
10	56573	90 DEG RECT BASE 1" SS	EA	3
*	89697	SHIFTER COVER	EA	1
*	89698	UPPER HELM CONSOLE CURTAIN	EA	1
*	89699	DASH PAD	EA	1
		MISC. UPHOLSTERY ITEMS		
*	14953	SNAP CAP-WHITE	EA	
*	13169	COUNTERSINK WASHER - CLEAR	EA	
*	35236	SNAP CAP-PUTTY	EA	
*	53957	SOCKET—FASNAP	EA	
*	53958	STUD—FASNAP	EA	
*	53959	CAP—FASTSNAP	EA	
*	NOT SHOWN			



FOR UPHOLSTERY SKINS ADD: -1 TO THE PART NUMBER. EX:

5	86993-1	FWD C/B CUSHION SKIN	EA	1
---	---------	----------------------	----	---

ITEM NO.	PART NUMBER	PART DESCRIPTION	U/M	QTY.
HULL INT LABELS				
*	3885-A	BATT INSTALLATION/COMPL LABEL	EA	2
*	14430	'DO NOT STEP' LABEL	EA	3
*	OIL DEC	OIL DISCHARGE DECAL	EA	2
*	48034	USM SUBASSY QUALITY DECAL	EA	1
*	39331	GARBAGE DISCHARGE PLACARDS	EA	1
HULL EXT TAPES & LABELS				
2	67572	WATERLINE TAPE 95	FT	65
*	11024	SLING LABEL	EA	4
DECK TAPES & LABELS				
3	6336	LABEL SEOUT. LIFT HULL	EA	2
*	63031	CARBON MONOXIDE HAZARD LABEL	EA	1
*	55662	LABEL,USM THANKS/5YEAR/NMMA CLEAR	EA	1
4	8033	MARINE CORE LABEL	EA	1
5	67565	TAPE,NAVY,3 1/2"	FT	3
6	65352	DECK STRIPE,AVANTI, 9/16"	FT	49
7	65353	STRIPE, 3/8 BLUE ESSENCE	FT	60
9	68203	LOGO,3258 CRUISER	EA	2
*	61414	STICKER, PPG FIBERGLASS	EA	1
C/B TAPES & LABELS				
8	65352	DECK STRIPE,AVANTI, 9/16"	FT	20
*	63461	#700 BRIDGE CAPACITY LABEL	EA	1
*	65170	TRIM TAB INS LABEL	EA	1
*	62711	LABEL, YACHT CERTIFICATION	EA	1
*	NOT SHOWN			
REFER TO FOLLOWING PAGE FOR DRAWINGS.				



ITEM NO.	PART NUMBER	PART DESCRIPTION	U/M	QTY.
WINDSCREEN & FASTENERS				
*	59760	WINDSHIELD VENTURI ER	EA	1
*	59760-XC	CENTER PANEL	EA	1
*	50113	CURVED GLAZ. VINYL	FT	14
*	3981	1/8" X 1/2" SS RIVET	EA	2
*	14665	GLAZING VINYL .56" WIDE-90/G	FT	2
*	5735	VNYL VTR-267 RGD BLK	FT	2
*	6618	1/8X3/4X20 FT W/S TAPE	FT	2
*	59760-XF	PORT FRONT/WING PANEL	EA	1
*	58077-02	PLEX CORNER VENTURI PAT 2111 GREEN	EA	1
*	59760-04	WING GLASS 1/8 EVERGREEN VENT	EA	1
*	30667	SSD 43 BS POP RIVET	EA	2
*	3981	1/8" X 1/2" SS RIVET	EA	2
*	1573	8 X 1-1/4" PFH SS	EA	1
*	50113	CURVED GLAZ. VINYL	FT	9
*	14665	GLAZING VINYL .56" WIDE-90/G	FT	1
*	5735	VNYL VTR-267 RGD BLK	FT	1
*	6618	1/8X3/4X20 FT W/S TAPE	FT	2
*	59760-XH	STBD FRONT/WING PANEL	EA	1
*	58077-02	PLEX CORNER VENTURI PAT 2111 GREEN	EA	1
*	59760-04	WING GLASS 1/8 EVERGREEN VENT	EA	1
*	30667	SSD 43 BS POP RIVET	EA	2
*	3981	1/8" X 1/2" SS RIVET	EA	2
*	1573	8 X 1-1/4" PFH SS	EA	1
*	50113	1CURVED GLAZ. VINYL PVC 70 A,	FT	9
*	14665	GLAZING VINYL .56" WIDE-90/G-89/C	FT	1
*	6618	1/8X3/4X20 FT W/S TAPE	FT	2
*	NOT SHOWN			

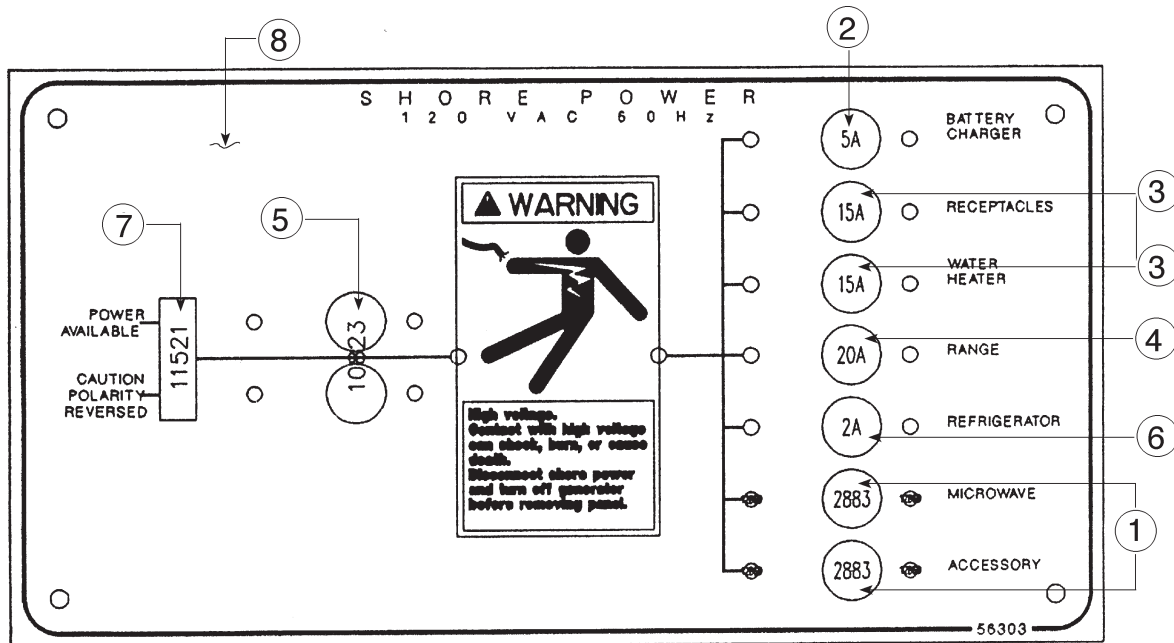
ITEM NO.	PART NUMBER	PART DESCRIPTION	U/M	QTY.
		WINDSHIELD SYSTEM		
*	58081	WINDSHIELD SYSTEM 3258ER	EA	1
*	58081-XC	CENTER PANEL		
*	52850	5/16 ROUND BUTYL 12CS	FT	13
*	9109	YACHT FRONT PANEL VINYL (800'/BOX)	FT	13
*	58081-01	CENTER PANEL GLASS ER 3/16 CLEAR	EA	1
*	58081-XF	PORT FRONT PANEL		
*	52850	5/16 ROUND BUTYL 12CS	FT	13
*	9109	YACHT FRONT PANEL VINYL (800'/BOX)	FT	13
*	58081-02	FRONT PANEL GLASS ER 3/16 CLEAR	EA	1
*	58081-XH	STBD FRONT PANEL		
*	52850	5/16 ROUND BUTYL 12CS	FT	13
*	9109	YACHT FRONT PANEL VINYL (800'/BOX)	FT	13
*	58081-02	FRONT PANEL GLASS ER 3/16 CLEAR	EA	1
*	58081-XJ	PORT WING SECT I		
*	5741	STAN PRO FLOX CHNL	FT	33
*	58081-04	WING GLASS SECT.1 FWD ER 3/16 GRAY	EA	1
*	58081-05	WING GLASS SECT.1 AFT 3/16 GRY ER	EA	1
*	5745L	SLIDER LOCK ASSY, LEFT	EA	1
*	11100	SLIDER KNOB ASSY	EA	1
*	58081-XL	PORT WING SECT II		
*	5741	STAN PRO FLOX CHNL-800/CS(MIN-8.8M)	FT	30
*	5743	PILE GRAY, 3000'/REEL; 2 REELS/PKG	FT	4
*	5745L	SLIDER LOCK ASSY	EA	1
*	11100	WINDOW KNOB ASSY	EA	2
*	58081-06	WING GLASS SECT.2 FWD 3/16 GRY ER	EA	1
*	58081-07	WING GLASS SEC II AFT GRY 3/16	EA	1
*	58081-XN	STBD WING SECT I (FWD)		
*	5741	STAN PRO FLOX CHNL	FT	33
*	58081-04	WING GLASS SECT.1 FWD ER 3/16 GRAY	EA	1
*	58081-05	WING GLASS SECT.1 AFT 3/16 GRY ER	EA	1
*	5745R	SLIDER LOCK ASSY, RIGHT	EA	1
*	11100	SLIDER KNOB ASSY	EA	1
*	58081-XP	STBD WING SECT II		
*	5741	STAN PRO FLOX CHNL-800/CS(MIN-8.8M)	FT	30
*	5743	PILE GRAY, 3000'/REEL; 2 REELS/PKG	FT	4
*	5745R	SLIDER LOCK ASSY-RIGHT	EA	1
*	11100	WINDOW KNOB-BLACK PLASTIC	EA	2
*	58081-06	WING GLASS SECT.2 FWD 3/16 GRY ER	EA	1
*	58081-07	WING GLASS SEC II AFT GRY 3/16	EA	1
-		WINDOW SCREEN ASSY		
*	58081-XS2P	PORT WINDOW SCREEN	EA	1
*	58081-XS2S	STBD WINDOW SCREEN	EA	1
*	NOT SHOWN			

ITEM NO.	PART NUMBER	PART DESCRIPTION	U/M	QTY.
*	64167	DOOR JAM ASSY ER	EA	1
*	9338	PILOT HOUSE DOOR SEAL GRAY	FT	11
*	5743	PILE GRAY, 3000'/REEL; 2 REELS/PKG	FT	11
*	59818	AFT BULKHEAD WINDOW ER	EA	1
		AFT WINDOW SLIDER ASSY		
*	59818-01	AFT WINDOW GLASS 3/16 GREY	EA	2
*	60731	FLANGE MOUNT SLIDER AE 12' T4	FT	12
*	5741	STAN PRO FLOX CHNL-800/CS(MIN-8.8M)	FT	24
*	5745	SLIDER LOCK ASSY	EA	1
*	8462	.194X.625X.125 BLK WASHER	EA	2
*	5819	RUBR GRMT F/KNOB M25000	EA	2
*	11100	WINDOW KNOB-BLACK PLASTIC	EA	2
*	5743	PILE GRAY, 3000'/REEL; 2 REELS/PKG	FT	3
*	64165	AFT BULKHEAD DOOR ASSY ER	EA	1
*	641650-XU	DOOR CATCH KIT	K T	1(1)
		MISC. PARTS		
*	59820-20	DOOR GLASS LOWER 3/16 GRY ER	EA	1
*	59820-21	DOOR GLASS UPPER 3/16 GRY ER	EA	1
*	54075	SLIDER TRACK ASSY	EA	1
*	64339	TALLEN DOOR LOCK	EA	1
*	52850	5/16 ROUND BUTYL 12CS	FT	20
*	9109	YACHT FRONT PANEL VINYL	FT	20
*	38473	LATCH TRIM	EA	1
*	58255	DOOR SEAL 5/8	FT	7
*	61898	BLK TRIM, 1/2" X 3/4" (ENTRY DOOR OPENING)	FT	6
*	NOT SHOWN			

1) INCLUDES CATCH, CATCH BLOCK, DOOR STOP, STRIKER PLATE AND FASTENERS

ITEM NO.	PART NUMBER	PART DESCRIPTION	U/M	QTY.
BOAT ELEC WIRING				
*	59643	HARNESS, FWD DECK (ER)	EA	1
*	59646	HARNESS, DOCKSIDE (ER)	EA	1
*	59644-A	HARNESS, CABIN TOP (ER)	EA	1
*	59645	HARNESS, DECK (LAM) (ER)	EA	1
*	68887	PANEL ASSY,MACERATOR SWITCH PANEL	EA	1
*	10894	SWITCH SPST-OFF(ON) (HORN)	EA	2
*	66430	PANEL BLANK, MACERATOR	EA	1
*	D56303	PANEL ASSY, DOCKSIDE, 110V/60HZ CIRCUIT BREAKER PANEL	EA	1
*	2883	5/8" DOMED HOLE PLUG	EA	2
*	10740	5 AMP BRKR RED HNDL	EA	1
*	10742	15 AMP BRKR RED HNDL	EA	2
*	10743	20 AMP BRKR RED HNDL	EA	1
*	10823	30 AMP DBL POLE BRKR-RED	EA	1
*	11520	2 AMP BREAKER-RED	EA	1
*	11521	POLARITY LIGHT	EA	1
*	11527	BUSS BAR 3 1/2" 5 HOLE	EA	1
*	12869	RIVET BLACK D3001410604 .144-.154	EA	4
*	33732	BUSS BAR ASSY 20 PRONG	EA	1
*	56303	PANEL,BLANK,SHORE POWER	EA	1
*	56639	6-32 X 1/4 PPH MACHINE SCREW-STAIN.	EA	14
*	56638	6-32 X 1/2 PPH MACHINE SCREW-STAIN.	EA	2
*	11533	6-32 HEX NUT	EA	2
*	10742	15 AMP BRKR RED HNDL	EA	1
*	56639	6-32 X 1/4 PPH MACHINE SCREW-STAIN.	EA	2

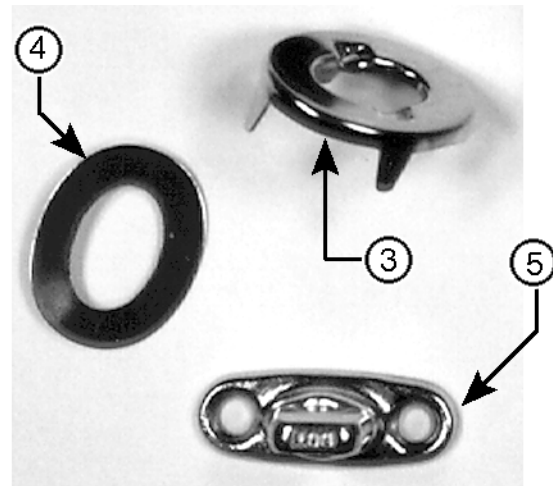
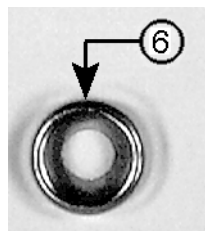
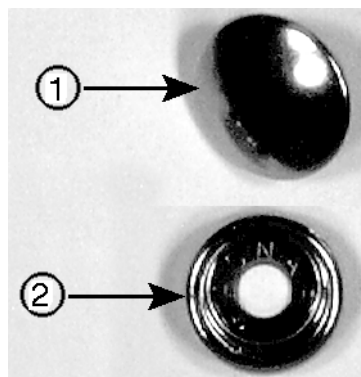
* NOT SHOWN



ITEM NO.	PART NUMBER	PART DESCRIPTION	U/M	QTY.
*	71843	PANEL ASSY,3 LIGHT SWITCH (BEIGE)	EA	1
*	71842	PANEL BLANK,3 LIGHT SWITCH (BEIGE)	EA	1
*	72122	SWITCH,SPST,ON-OFF,BEIGE	EA	3
*	71841	PANEL ASSY,2 LIGHT SWITCH (BEIGE)	EA	5
*	71840	PANEL BLANK,2 LIGHT SWITCH (BEIGE)	EA	1
*	72122	SWITCH,SPST,ON-OFF,BEIGE	EA	2
*	35608	LIGHT SWITCH BOX PUTTY	EA	3
*	13169	COUNTERSINK WASHER - CLEAR	EA	12
*	13168	SNAP CAP-BLACK	EA	12
*	10896	SWITCH-SPDT ON-ON	EA	4
INTERIOR LIGHTS				
*	12530	DOME LIGHT-5 1/2" W/O SWITCH	EA	1
*	61161	READING LIGHT,WHITE	EA	2
*	58244	SRFCE.MT.LT.W/HLGN BULB	EA	6
*	59657	DOORMOLDING,ASH	LF	13
*	55955	RECESS LT W/5 WATT BLB D.WHT	EA	5
*	58245	RECESSED LT W/ HALOGEN BULB	EA	15
*	52686	EXTERIOR LIGHTS (WHITE/WHITE)1 EACH	EA	4
ELECTRICAL HARDWARE				
*	274	POWER INLET 30AMP	EA	1
*	275	CORDW/RING 50'(30 AMP)	EA	1
*	61545	15AMP 110VOLT BATTERY CHARGER	EA	1
*	51512	GROUND FAULT RECEPTACLE	EA	1
*	9015	COVER PLATE F/GFR	EA	1
*	51628	WALL BOX F/GFI (FIBRE)	EA	1
*	60597	ZINC SAVER 30 AMP	EA	1
*	4685	12-10 GA 1/4" RING	EA	1
*	56838	BATTERY SWITCH, 1/2/BOTH/OFF	EA	2
*	13237	STARBOARD ENGINE LABEL	EA	1
*	13236	PORT ENGINE LABEL	EA	1
*	232	BLANK PLATE	EA	1
*	1704	DUPLEX RECEP IVORY	EA	5
*	1713	COVER PLATE	EA	5
*	7090	WALL BOX	EA	6
EXTERIOR LIGHTS				
*	52686	EXTERIOR LIGHTS (WHITE/WHITE)1 EACH	EA	3
NAV & ANCHOR LIGHTS				
*	8028	SIDE LIGHT PORT RED SM	EA	1
*	8027	SIDE LIGHT STBD GREEN SM	EA	1
AUDIO VISUAL EQUIPMENT				
*	60986	AM/FM CASSETTE STEREO WS 52959	EA	1
*	3612	MARINE ANTENNA	EA	1
*	60985	COAX SPEAKER 6.5" WHITE WS 59220	PR	2
*	60984	DUAL CONE 6.5" WHT SPKR WS 59219	PR	1
COMMUNICATION EQUIPMENT				
*	9683	RATCHET MOUNT FOR ANTENNA OPT PART	EA	1
*	1621	1/4 FLAT WASHER SS	EA	4
*	63321	ANTENNA 8' VHF	EA	1
*	315-1	CLAM SHELLS MIDGET	EA	1
*	13187	LIGHT POLE STORAGE CLIP	EA	1
*	62452	VHF RADIO-ECLIPSE	EA	1
DEPTH SOUNDER SYSTEM				
*	61485	DEPTH SOUNDER,CHROME BEZEL	EA	1
*	NOT SHOWN			

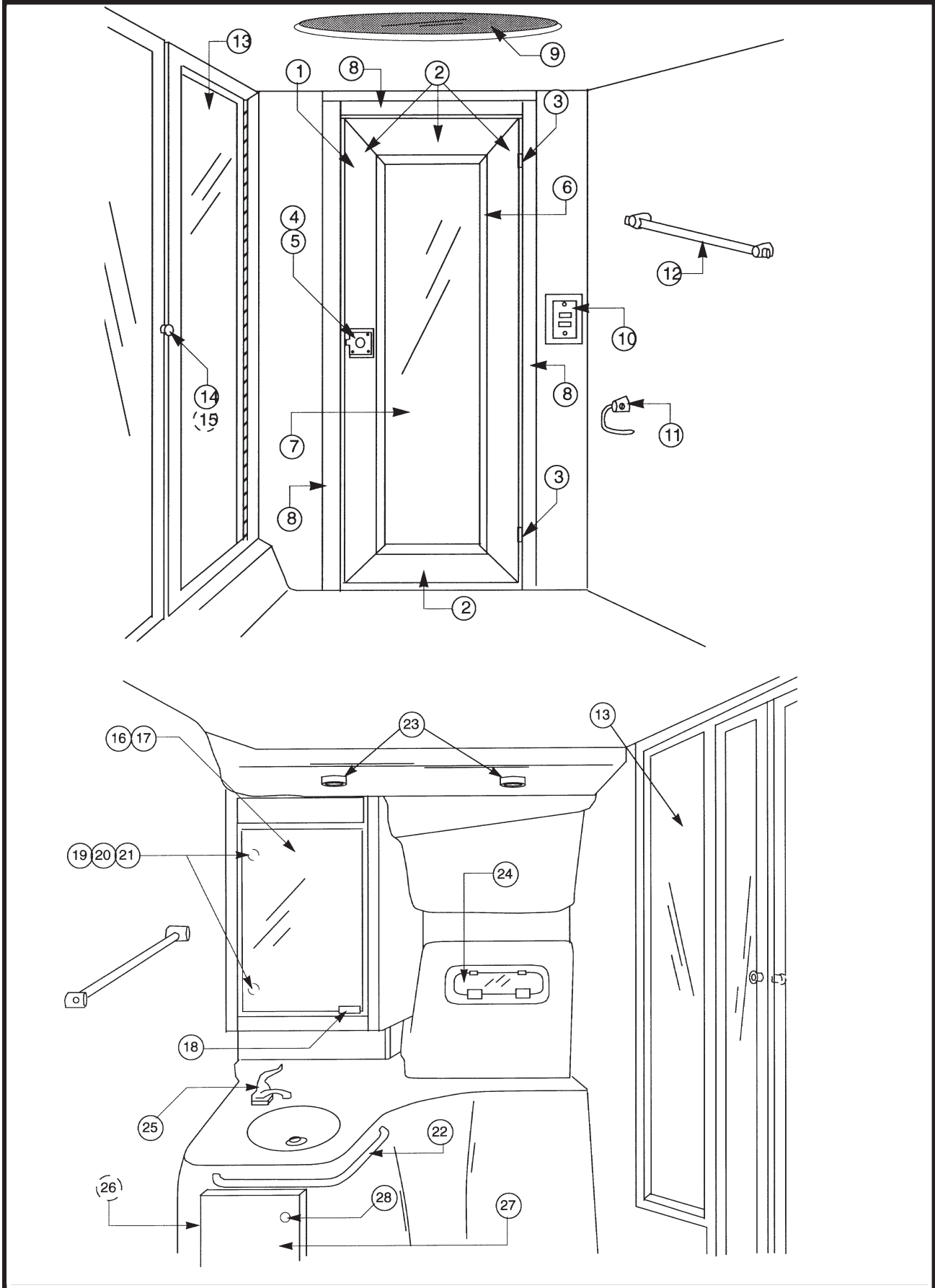
ITEM NO.	PART NUMBER	PART DESCRIPTION	U/M	QTY.
BRIDGE COVER				
*	66972	BRIDGE COVER-3258ER	EA	1
*	52911	BRIDGE COVER SUPPORT	EA	1
DOOR COVER				
*	66976	SALON DOOR COVER-3258ER	EA	1
WINDSHIELD COVER				
*	66977	FWD SIDE WINDOW COVER-3258ER	PR	1
*	66973	WINDSHIELD COVER-3258ER	EA	1
MISC CANVAS HARDWARE				
*	66175	CANVAS-NAVY SUNBRELLA 60"	LY	9
*	59634	3/4" VELCRO LOOP BLACK	LY	1
*	59635	3/4" VELCRO HOOK BLACK	LY	1
1	81	SNAP BUTTON	EA	7
2	82	SNAP SOCKET	EA	7
3	88	TURNBUCKLE EYE	EA	7
4	89	TURNBUCKLE WASHER	EA	7
5	90	TURNBUCKLE STUD	EA	7
6	11563	SMALL BASE CANVAS STUD	EA	7

* NOT SHOWN



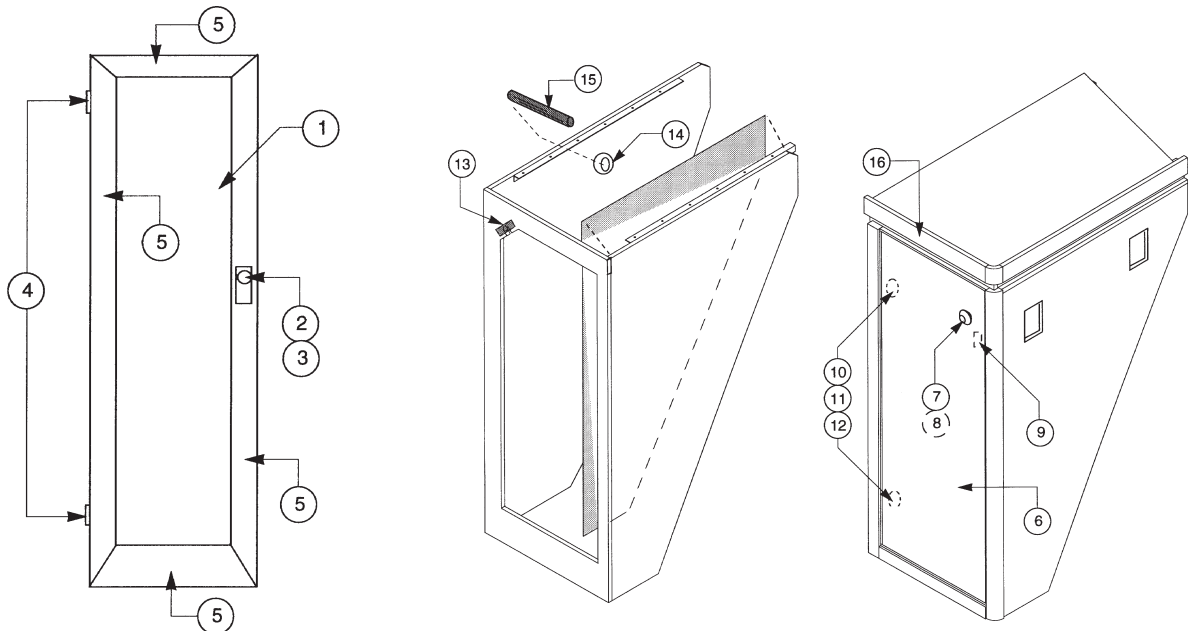
ITEM NO.	PART NUMBER	PART DESCRIPTION	U/M	QTY.
SHIFTER & CONTROL CABLE				
*	53545	SHIFT/THROT W/NEUTRAL SAFETY SWITCH	EA	2
*	53546	SHIFT/THROTTLE W/O NEUTRAL SAFETY S	EA	2
*	9028	SHIFTER LABEL-PORT SHFT/STBD THROT.	EA	2
*	9025	SHIFTER LABEL-PORT THROT./STBD SHFT.	EA	2
*	14693	MERC CABLE CONNECTOR KIT	KT	2
*	53558	DUAL STATION CONNECTION KIT	EA	2
STEERING SYSTEM				
*	61034	WHEEL, 15.5" S/S	EA	2
*	11958	STEERING HELM ASSY	EA	2
*	11959	90 DEG BEZEL KIT	EA	2
*	56615	DUAL STATION STEERING KIT	EA	1
ENGINE FUEL SYSTEM				
*	11992	FUEL FILL CHROME BRASS	EA	2
*	625	HOSE, FUEL FILL 1-1/2 " 5	FT	8
*	59690	FUEL TANK,90 GAL. ALUM. (PORT)	EA	1
*	59691	FUEL TANK,90 GAL. ALUM (STBD)	EA	1
*	623	HOSE,FUEL VENT,5/8"	FT	10
*	1703	FUEL TANK VENT	EA	2
*	62966A	FUEL WARNING LABEL	EA	2
*	65745	LABEL, FUEL FILL, GAS, ISO	EA	2
ENGINE VENT SYSTEM				
*	57925	LOUVER,BLACK NON DIR 2 X 15	EA	6
*	10994	8 X 3/4 PPH BLK OX/SS	EA	24
*	59008	COLLECTOR BOX, 2 OVAL CUT	EA	1
*	59007	COLLECTOR BOX,RECT.CUT ABS	EA	5
*	54608	FLANGE, 4" OVAL	EA	2
*	279	HOSE VENT 4"	FT	12
*	56772	4" BLOWER (WATERPROOF)	EA	1
*	NOT SHOWN			

ITEM NO.	PART NUMBER	PART DESCRIPTION	U/M	QTY.
HEAD/SHOWER ASSEMBLY				
1	ER2310401	HEAD DOOR ASSEMBLY	EA	1
2	70000-A	DOOR FRAME MOLDING ,ASH	LF	16
3	3669	2X2 CHROME BUTT HINGE	EA	2
4	57690	RIM LATCH W/FLAT STRIKER	EA	1
5	35734	LATCH SHIM BLK ABS W/ROVEL CAP	EA	1
6	58986	MIRROR TRIM, # 10 ASH (ORDER BY LENGTH)	LF	8
7	63110	MIRROR, 12.75 X 63, VINYL BK	EA	1
8	59005	JAM DOOR ASH	FT	15
9	59215	SKYLIGHT GLASS	EA	1
10	71841	2-LIGHT SWITCH PLATE ASSY	EA	1
11	60931	TP HOLDER, WHITE	EA	1
12	36555	TOWEL ROD 23"BRUSHED ALMNW/WHT END	EA	1
*	36554	TOWEL ROD KIT - WHITE	EA	1
13	60293	SHOWER DOOR,3258ER	EA	1
14	59301	DOOR PULL,SILVER,TWO PIECE	EA	1
15	59302	M4 MULTI-HEAD SCREW	EA	1
16	65789-B-028	15.5 X 28.5 SAIL WHITE DOOR	EA	1
17	60105	MIRROR, 15-3/8 X 28-1/2 VINYL BK	EA	1
18	12430	STAINLESS CABINET HANDLE	EA	1
*	36327	WHITE CATCH F/HATCH HINGE	EA	2
19	12228	CABNT HINGE W/BLK CAP-1006VZ	EA	2
20	12239	ANGLE BASEPLATE FOR 1006-VZ	EA	2
21	53498	SPACER FOR 12228 HINGE .125	EA	2
22	59899	RAIL,HEAD SINK GRAB ER	EA	1
23	58245	RECESSED LIGHT	EA	2
24	68277	OPENING PORTLIGHT, FROSTED	EA	1
25	36188	HEAD FAUCET	EA	1
26	59890	TRIM RING 7 X 13.5" DRM/WHT ER	EA	1
27	65789-B-027	VANITY DOOR, 9.75 X 17 SAIL WHITE PANEL	EA	1
28	55318	PULL, DREAM WHITE	EA	1
*	334	DOOR HINGE, FLAT 3/4" (SOLD IN 6' LNGTHS/16" USED)	EA	1
*	31051	EDGE BAND-7/8" BLACK	FT	1
* NOT SHOWN				
REFER TO FOLLOWING PAGE FOR DRAWING.				

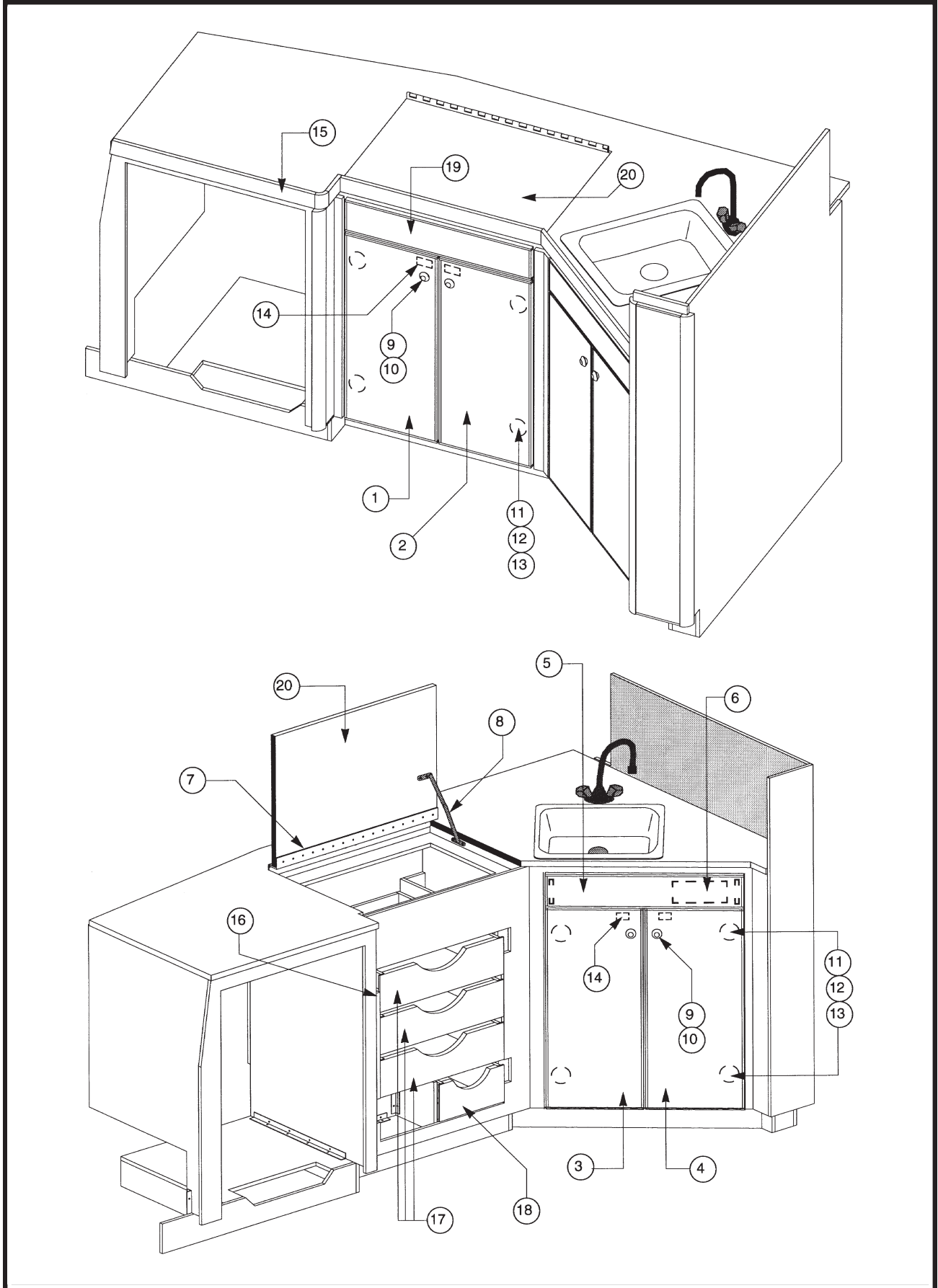


ITEM NO.	PART NUMBER	PART DESCRIPTION	U/M	QTY.
V-BERTH/MID BERTH DOOR ASSY				
1	ER2310109	V-BERTH DOOR ASSY	EA	1
2	12394	RIM LATCH REVERSABLE	EA	1
3	35734	LATCH SHIM BLK ABS W/ROVEL CAP	EA	1
4	3669	2X2 CHROME BUTT HINGE	EA	2
5	59665	DOOR FRAME ASH	LF	20
*	55543	DOOR STOP	EA	2
1	ER2310701	MID BERTH DOOR ASSY	EA	1
2	12394	RIM LATCH-REVERSIBLE	EA	1
3	35734	LATCH SHIM BLK ABS W/ROVEL CAP	EA	1
4	3669	2X2 CHROME BUTT HINGE	EA	2
HANGING LOCKER ASSEMBLY				
6	58968-6-69	15.5 X 40 ASH DOOR	EA	1
7	59301	DOOR PULL,SILVER,TWO PIECE	EA	1
8	59302	M4 MULTI-HEAD SCREW	EA	1
9	6199	NYLATCH ROLL CATCH W/STKR	EA	1
10	12228	CABNT HINGE W/BLK CAP-1006VZ	EA	2
11	12239	ANGLE BASEPLATE FOR 1006-VZ	EA	2
12	53498	SPACER FOR 12228 HINGE .125	EA	2
13	9954	DOOR MOMENTARY SWITCH	EA	1
14	#W1323-35	CLOSET POLE SOCKETS	ST	2
15	6059	1 5/16" DOWEL	LF	5
16	59660	SEA RAIL,ASH	LF	8

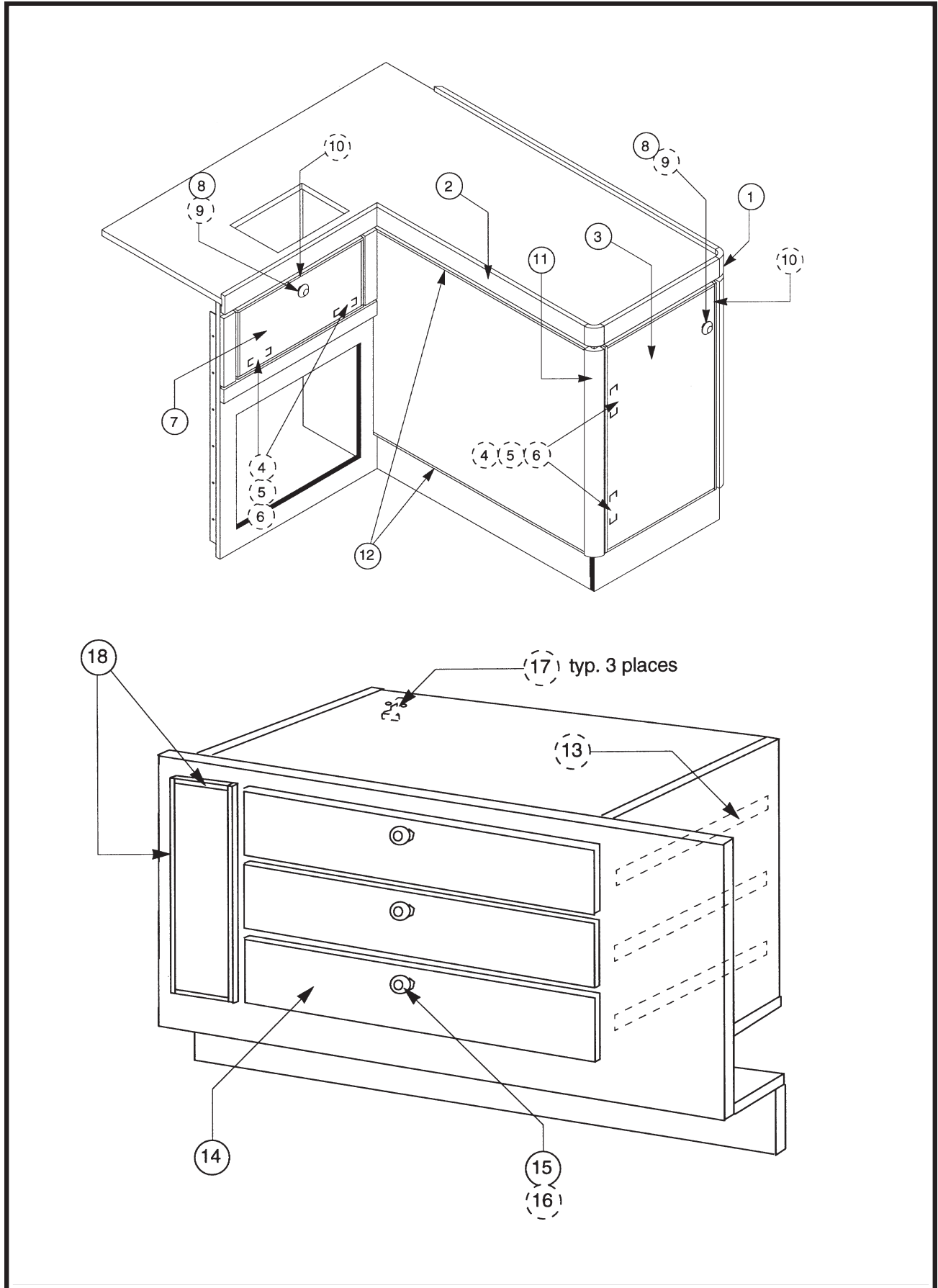
* NOT SHOWN



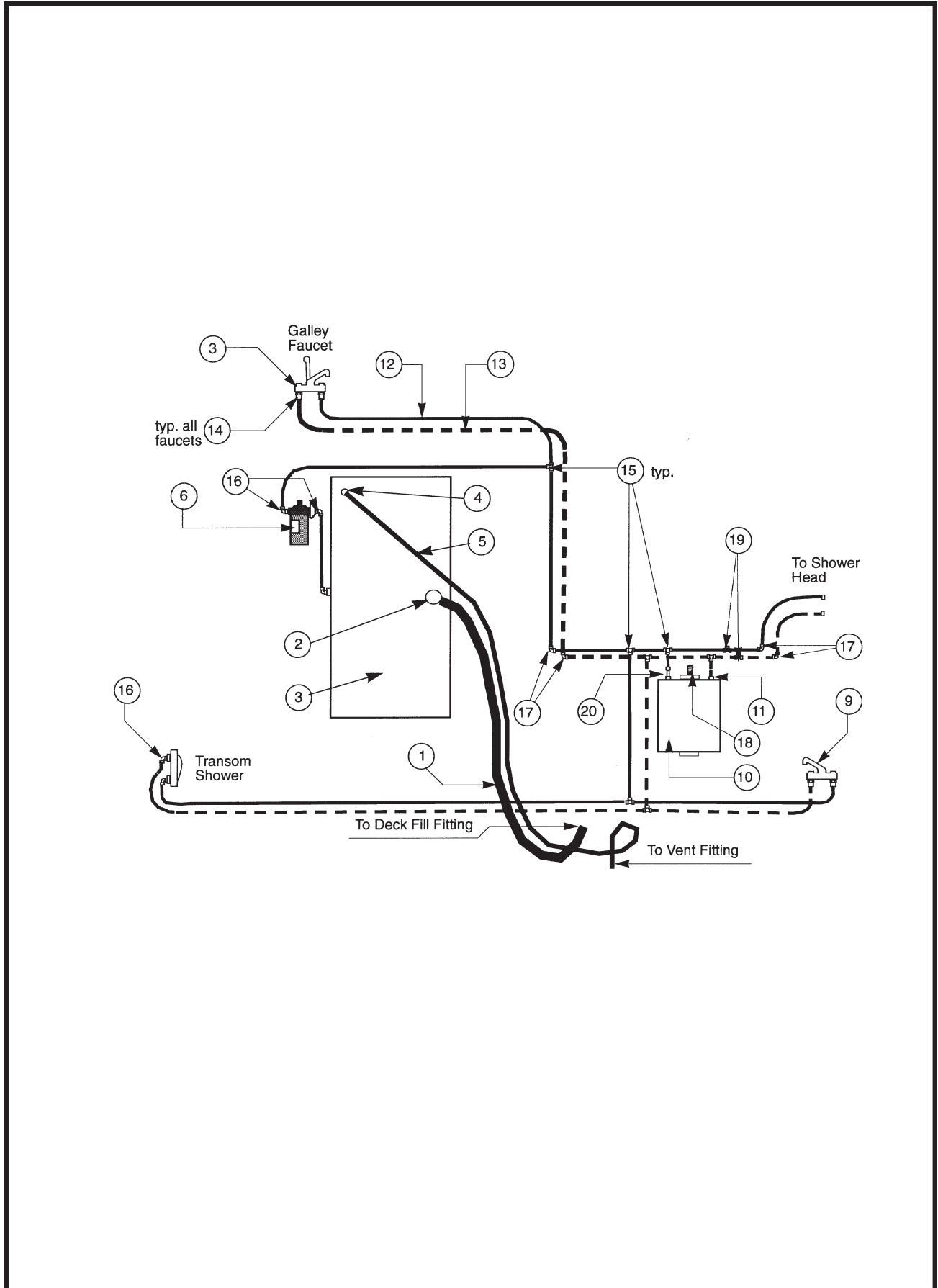
ITEM NO.	PART NUMBER	PART DESCRIPTION	U/M	QTY.
GALLEY ASSEMBLY				
1	58968-3L-55	11.875 X 26.75 ASH DOOR	EA	1
2	58968-3R-55	11.875 X 26.75 ASH DOOR	EA	1
3	58968-3R-54	12.25 X 26.75 ASH DOOR	EA	1
4	58968-3L-54	12.25 X 26.75 ASH DOOR	EA	1
5	58968-0-1Y	24.625 X 4.5 5/8 ASH PANEL	EA	1
6	36920	SINK TRAY & HINGES WHT.	EA	1
*	59658	END CAP,ASH	LF	7
7	60075	HINGE,SS BUTTERFLY,26")	EA	1
8	60076	HATCH BRACE #1 RH (COOKTP LID ER)	EA	1
*	12408	RACK SACK-15 LTR/3GALLON	EA	1
*	59661	CORNER POST,ASH	LF	4
9	59301	DOOR PULL,SILVER,TWO PIECE	EA	6
10	59302	M4 MULTI-HEAD SCREW	EA	6
11	12228	CABNT HINGE W/BLK CAP-1006VZ	EA	12
12	12239	ANGLE BASEPLATE FOR 1006-VZ	EA	12
13	53498	SPACER FOR 12228 HINGE .125	EA	12
14	6199	NYLATCH ROLL CATCH W/STKR	EA	6
*	59110	ASH-DOOR STRIPS	LF	15
*	59659	CORNER PIECE,ASH	EA	3
15	59660	SEA RAIL,ASH	LF	21
*	14991	ASH #24	FT	5
16	58212	20" DELUXE SLIDE MT, WHITE	PR	8
17	ER1100301.044	GALLEY DRAWER FACE, LARGE	EA	3
18	ER1100301.049	GALLEY DRAWER FACE, SMALL	EA	2
19	58968-0-1X	23.875 X 4.5 5/8" ASH PANEL	EA	1
20	ER1100301.057	GALLEY TOP	EA	1
*	58968-3-57	16.5 X 10 ASH DOOR (PORT AFT GLY CAB. UPPER)	EA	1
*	58968-3-56	18 X 11 ASH DOOR (PORT AFT GLY CAB. LOWER)	EA	1
* NOT SHOWN				
REFER TO FOLLOWING PAGE FOR DRAWINGS.				



ITEM NO.	PART NUMBER	PART DESCRIPTION	U/M	QTY.
HELM CABINET ASSEMBLY				
1	59659	CORNER PIECE,ASH	EA	2
2	59660	SEA RAIL,ASH	LF	10
3	58968-6-70	14.25 X 22.5 ASH DOOR	EA	1
4	12228	CABNT HINGE W/BLK CAP-1006VZ	EA	4
5	12239	ANGLE BASEPLATE FOR 1006-VZ	EA	4
6	53498	SPACER FOR 12228 HINGE .125	EA	4
7	58968-3-59	15.875 X 7.5 ASH DOOR	EA	1
8	59301	DOOR PULL,SILVER,TWO PIECE	EA	2
9	59302	M4 MULTI-HEAD SCREW	EA	2
10	6199	NYLATCH ROLL CATCH W/STKR	EA	2
11	59661	CORNER POST,ASH	LF	5
12	59110	ASH TRIM (ORDER LENGTH NEEDED)	LF	10
*	31051	EDGE BAND-7/8" BLACK	FT	11
HELM RISER BASE ASSY				
*	ER2411101.11	SALON RISER BASE HATCH	EA	1
*	333	HATCH HINGE BUTTERFLY (6' LENGTH)	EA	1
*	3031	HATCH LIFT HANDLE	EA	1
V-BERTH BUNK DRAWER CABINET ASSEMBLY				
13	57428	DRAWER SLIDE 14" WHITE	PR	3
14	58968-0-2B	26.750 X 6.750 5/8 ASH PANEL	EA	3
15	59301	DOOR PULL,SILVER,TWO PIECE	EA	3
16	59302	M4 MULTI-HEAD SCREW	EA	3
17	36327	WHITE CATCH F/HATCH HINGE	EA	3
18	59110	ASH TRIM (ORDER BY LENGTH NEEDED)	LF	10
MISC WOOD SHOP ASSY'S				
*	36327	WHITE CATCH F/HATCH HINGE	EA	1
*	59301	DOOR PULL,SILVER,TWO PIECE	EA	3
*	59302	M4 MULTI-HEAD SCREW	EA	3
*	57428	DRAWER SLIDE 14" WHITE	PR	3
*	59657	ASH WOODTAPE, 3/4"	LF	1
*	60582	BATTERY SWITCH BOX FLOOR	EA	1
*	334	HINGE FLAT 3/4" (6' LENGTH)	EA	1
* NOT SHOWN				
REFER TO FOLLOWING PAGE FOR DRAWINGS.				

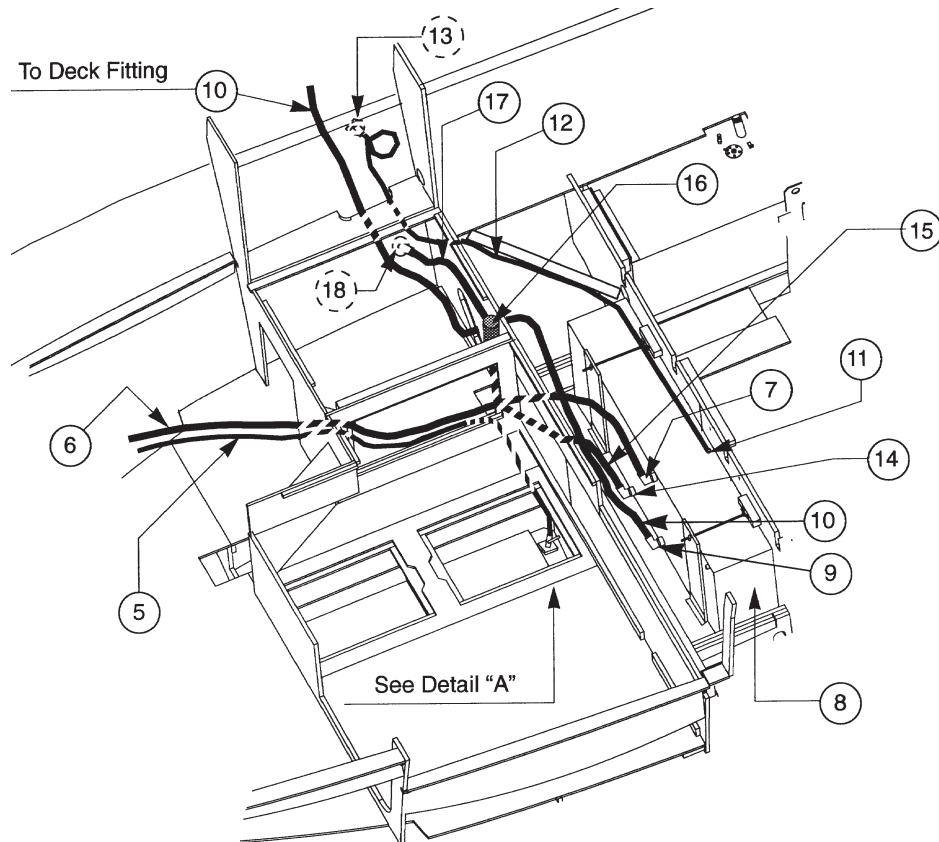


ITEM NO.	PART NUMBER	PART DESCRIPTION	U/M	QTY.
FRESH WATER SYSTEM				
*	62961	POTABLE WATER WARNING LABEL	EA	1
*	11993	WATER FILL CHROME BRASS	EA	1
1	1300	FILL HOSE 1.5" WHITE VINYL	FT	9
2	13190-A	1.5" NYLON STRAIGHT ML ADPT	EA	1
3	59631	52 GALLON,PLASTIC,WATER TANK	EA	1
*	331	HINGE FLAT 1 1/2" (SECURES TANK)	EA	12
*	2816-1	CHROME EYE STRAP (SECURES TANK)	EA	2
*	562-11	MACH J-BOLT 1/4 X 11" (SECURES TANK)	EA	2
4	4P-MP-IN9E	1/2 90D PL IN M ADP	EA	1
5	1271	HOSE, WATERTANK VENT, 9/16" CLEAR	FT	12
*	1703	TANK VENT	EA	1
6	39974	FRESH WATER PUMP W/FILTER	EA	1
*	59094	SHOWER VALVE, LEVER HANDLE	EA	1
*	59095	HAND SHOWER W/60" HOSE @ WALL ELBOW	EA	1
*	60769	NIPPLE 1/2"X3"CHROME BRASS STRAIGHT	EA	1
*	52348	SHOWER HEAD CLAMP	EA	1
7	31078	CHROME BAR FAUCET	EA	1
8	64705	TRANSOM SHOWER, DREAM WHITE	EA	1
9	36188	FAUCET CHROME LAV SNGL LEVER	EA	1
*	7330	BACKING PLATE-ALUM SWITCH	EA	1
*	2000	ILUM ROCKER SWITCH	EA	1
*	1179	WATER PUMP LABEL	EA	1
*	57514	GARDEN HOSE X 3/8P ELBOW	EA	1
10	54379	HEATER WATER 6 GAL FWC/P	EA	1
11	1305	1/2" COUPLING	EA	1
*	39057	HOT WATER WARNING LABEL	EA	1
12	70156	H2O HOSE 5/8" BLUE STRP	FT	50
13	70157	H2O HOSE 5/8" RED STRP	FT	44
14	51896	STRAIGHT FEMALE ADAPTER	EA	6
15	50915	1/2 X 1/2 X 1/2 FL TEE	EA	7
*	50914	1/2FL X 1/2 FPT W/NUT 90 DEG. ELBOW	EA	2
16	50912	1/2 FL X 1/2 MPT 90 DEG. EL	EA	4
*	52123	ELBOW 1/2"NPT X 1/2" FLAIR	EA	2
17	50911	1/2 X 1/2 FL 90DEGREE ELBOW	EA	4
*	52124	ADAPTOR 1/2"NPT X 1/2 FLAIR	EA	1
18	50912	1/2 FL X 1/2 MPT 90DEGREE ELBOW	EA	1
19	51074	1/2" DRAIN CAP	EA	2
20	1307	1/2" CHECK VALVE	EA	1
* NOT SHOWN				
REFER TO FOLLOWING PAGE FOR DRAWING.				



ITEM NO.	PART NUMBER	PART DESCRIPTION	U/M	QTY.
MARINE HEAD SYSTEM				
1	57223	SEA STRAINER	EA	1
2	14486	3/4" BRZN THRU HULL CONN	EA	1
3	62445	3/4" BALL VALVE W/GND SCREW	EA	1
*	13229	HEAD PICK-UP LABEL	EA	1
4	31229	3/4" BRBX3/4"MIPT W/1.5" BARB	EA	1
5	1115	SFTWL H2O HOSE 3/4"	FT	10
*	1394	MARINE HEAD, RIGHT HAND	EA	1
6	13706	1-1/2" SANITATION HOSE	FT	10
7	13192	1.5" 90D NYLON MALE ADAPTER	EA	1
8	59631	52 GALLON,PLASTIC,HOLDING TANK	EA	1
*	331	HINGE FLAT 1 1/2" (SECURES TANK)	EA	12
*	2816-1	CHROME EYE STRAP (SECURES TANK)	EA	2
*	562-11	MACH J-BOLT 1/4 X 11" (SECURES TANK)	EA	2
9	13192	1.5" 90D NYLON MALE ADAPTER	EA	1
10	13706	1-1/2" SANITATION HOSE	FT	9
*	11995	DECK WASTE FITTING BRASS	EA	1
11	4P-MP-IN9E	1/2 90D PL IN M ADP	EA	1
12	1271	HOSE, HOLDING TANK VENT, 9/16" CLEAR	FT	9
13	1703	TANK VENT	EA	1
14	13192	1.5" 90D NYLON MALE ADAPTER	EA	1
15	13706	1-1/2" SANITATION HOSE	FT	5
16	4278-A	MACERATOR PUMP W/BARB	EA	1
17	12791	1" SANITATION HOSE	FT	2
18	6637	THRU HULL PLAS 1"	EA	1

* NOT SHOWN

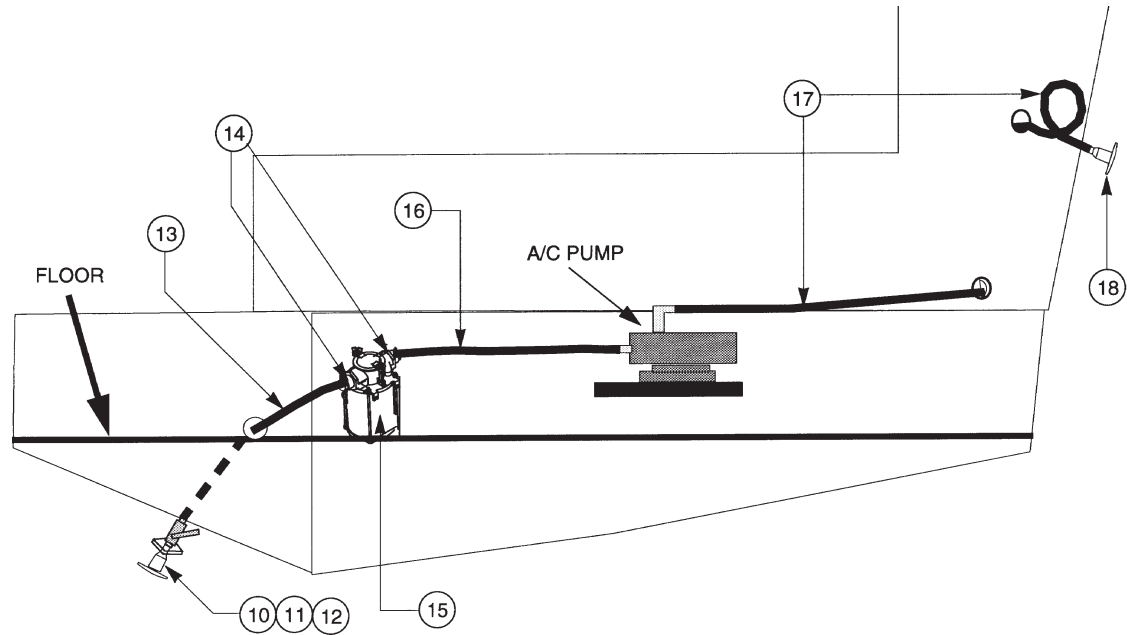
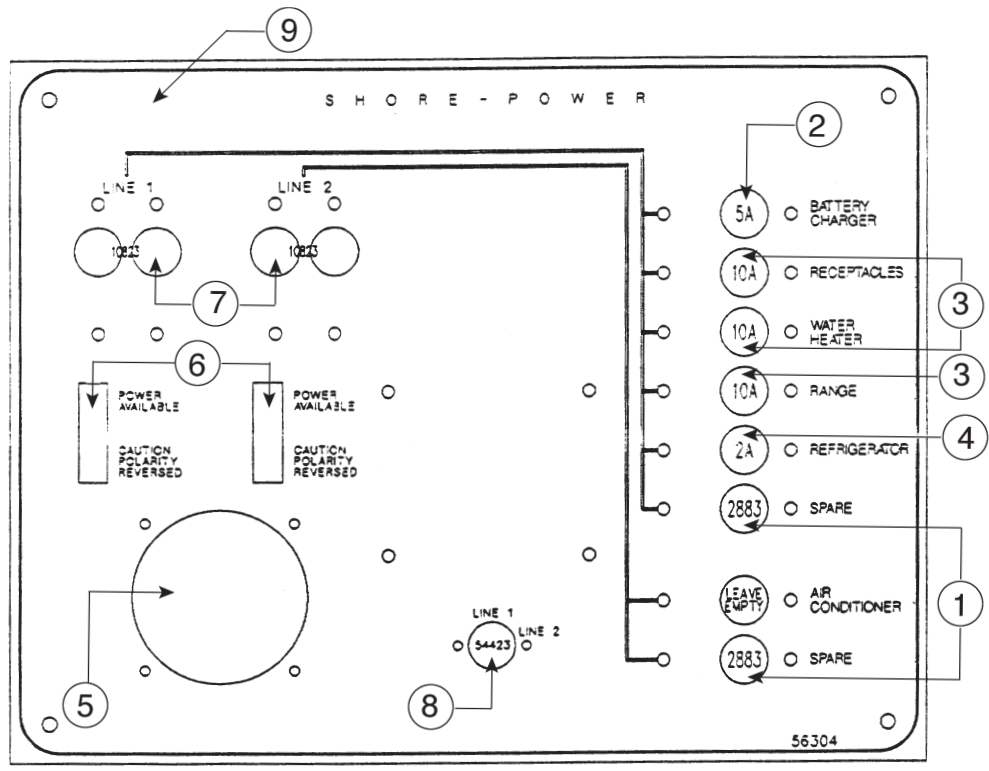


ITEM NO.	PART NUMBER	PART DESCRIPTION	U/M	QTY.
SHOWER DRAIN SYSTEM				
*	344	4"X1 1/2" SHWR DRAIN	EA	1
*	4790-E	DRAIN ELBOW ONLY	EA	1
*	4790-L	DRAIN LOCK NUT UN500	EA	1
*	57545	WASHER 1.30 I.D. X 1.80 O.D. X .125	EA	1
*	57544	DRAIN SLIP NUT	EA	1
*	1115	SFTWL H2O HOSE 3/4"	FT	4
*	60241	PUMP, SHOWER SUMP 750 GPH	EA	1
*	1115	SFTWL H2O HOSE 3/4"	FT	7
*	708	THRU HULL PLAS 3/4"	EA	1
*	36656	SECONDARY OVERCURR.PROTECTION LABEL	EA	1
BILGE PUMP SYSTEM - MIDSHIP				
*	60249	FLOAT SWITCH-SURE BAIL	EA	1
*	61039	BILGE PUMP, 500 GPH	EA	1
*	55609	3/4 BLACK BILGE HOSE	FT	7
*	708	THRU HULL PLAS 3/4"	EA	1
BILGE PUMP SYSTEM - AFT				
*	60249	FLOAT SWITCH-SURE BAIL	EA	1
*	61038	BILGE PUMP, 1250 GPH	EA	1
*	1691	HOSE,BILGE,1 1/8"	FT	7
*	8562	THRU HULL,PLASTIC 1 1/8"	EA	1
SINK DRAIN SYSTEM				
GALLEY				
*	59717	SINK,SS. 16"X18"	EA	1
*	59245	STRAINER,PLASTIC/SS 3.5"	EA	1
*	59246	WASTE ARM 1.5"X7" BLACK W/NUT	EA	1
*	57545	WASHER 1.30 I.D. X 1.80 O.D. X .125	EA	1
*	1300	DRAIN HOSE 1.5" WHITE VINYL	FT	2
*	709	THRUHULL PLAS 1.5"	EA	1
HEAD				
*	57543	SINK STRAINER, 2",S/S	EA	1
*	57545	WASHER 1.30 I.D. X 1.80 O.D. X .125	EA	1
*	4790-E	DRAIN ELBOW ONLY	EA	1
*	57544	DRAIN SLIP NUT	EA	1
*	1272	HOSE, CLEAR 3/4"ID X 1"OD	FT	2
*	708	THRU HULL PLAS 3/4"	EA	1
DECK DRAIN SYSTEM				
COCKPIT				
*	8492	THRU-HULL,REV FLANGE 1 1/2"	EA	2
*	1300	DRAIN HOSE 1.5" WHITE VINYL	FT	4
*	709	THRUHULL PLAS 1.5"	EA	2
ANCHOR LOCKER				
*	1372	THRU HULL 3/4 90 DEG EL	EA	1
*	1272	HOSE, CLEAR 3/4"ID X 1"OD	FT	1
*	5P-FP-IN9E	3/4 90D PL IN F ADP	EA	1
*	708	THRU HULL PLAS 3/4"	EA	1
*	NOT SHOWN			

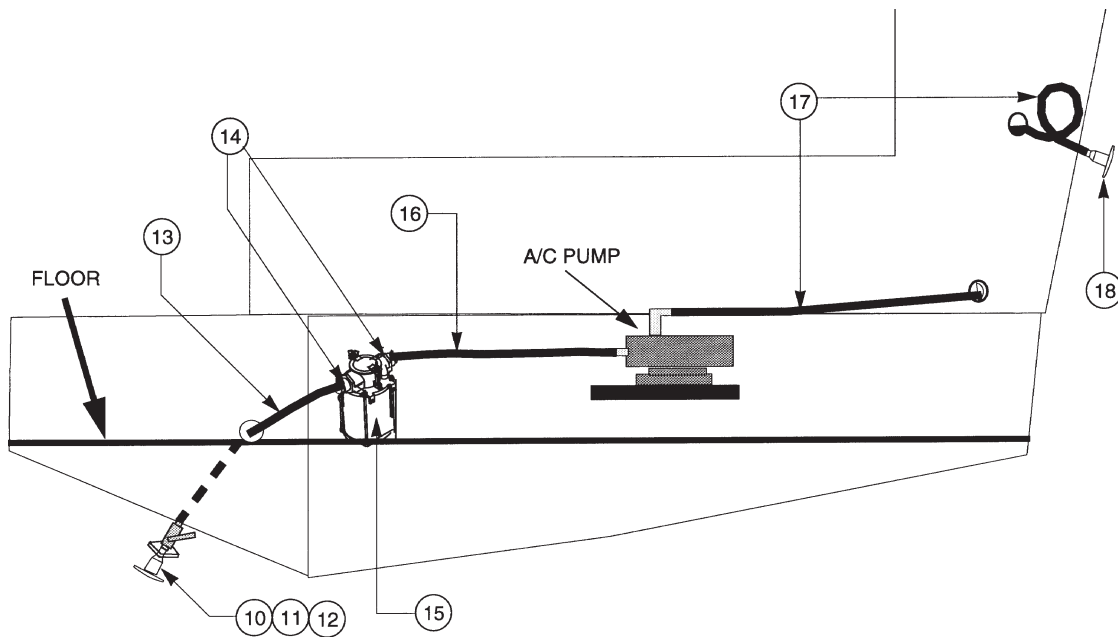
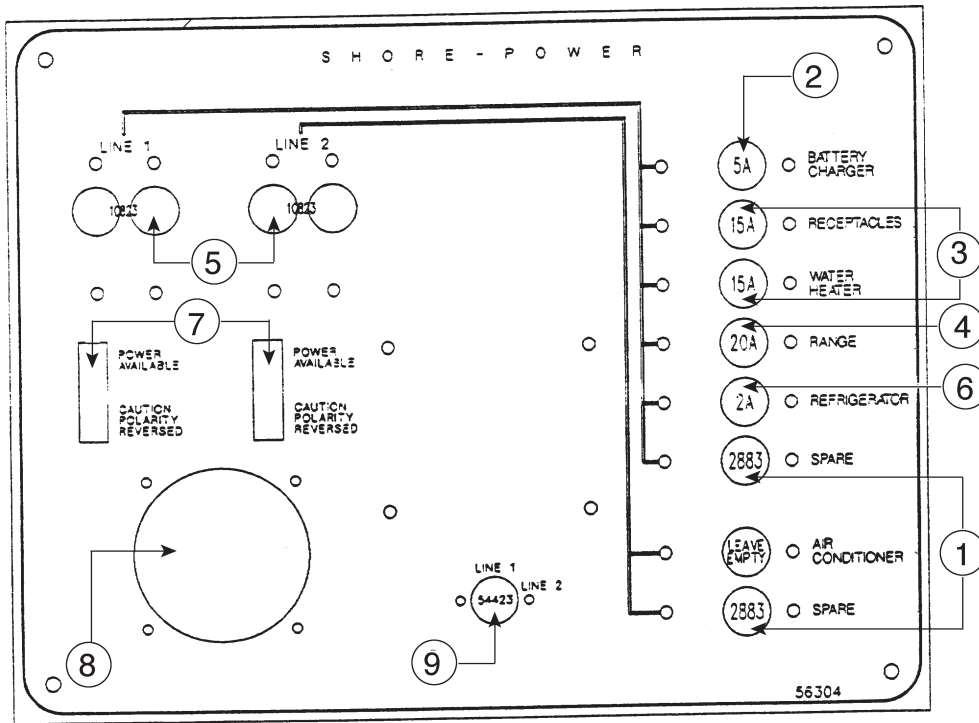


ITEM NO.	PART NUMBER	PART DESCRIPTION	U/M	QTY.
HULL BASIC HARDWARE				
*	58351	1" ACOUSTICAL FOAM W/PSA (UNDER SALON FLOOR)	FT	7
*	4354	2" WIDE ALUM TAPE (USED W/58351)	RL	1
*	13469	WIND-LOCK PLATE (SECURES FOAM)	EA	20
*	54645	DOW SILICONE 791 DREAM WHITE	TU	1
*	1272	HOSE, CLEAR 3/4"ID X 1"OD (USED F/CHAFE PROTECTION)	FT	6
MANUALS (ORDER FROM CUSTOMER SERVICE #360-435-8957)				
*	65494	OWNERS MANUAL-3258ER CRUISER	EA	1
*	69680	VINYL CARE & CLEANING-HANG TAG	EA	1
*	NOT SHOWN			

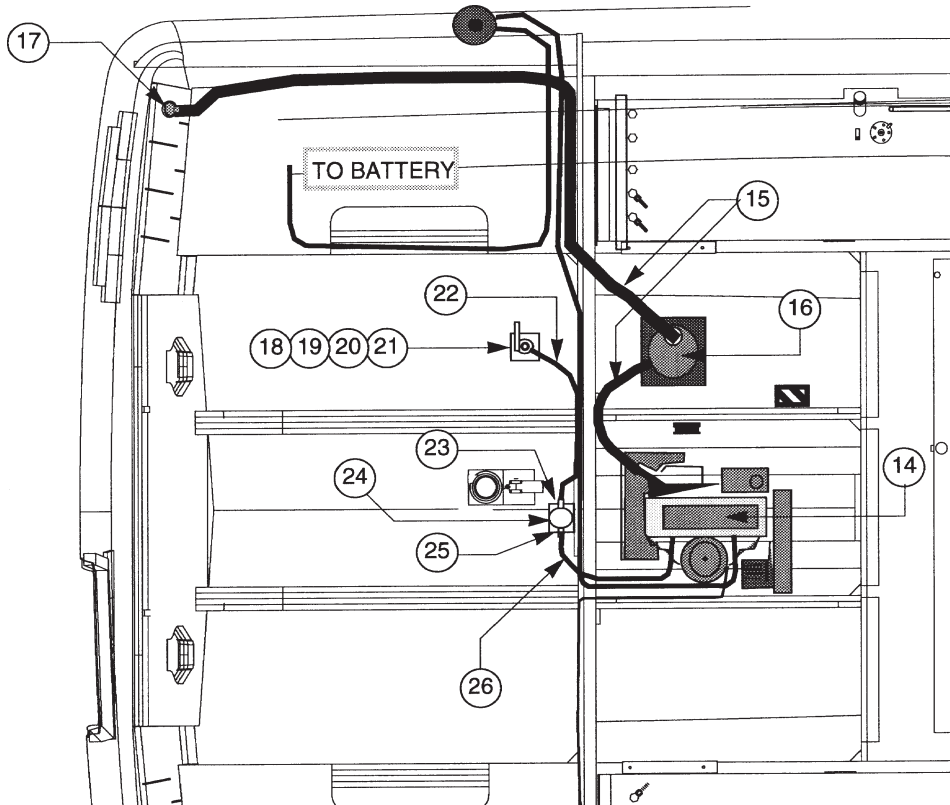
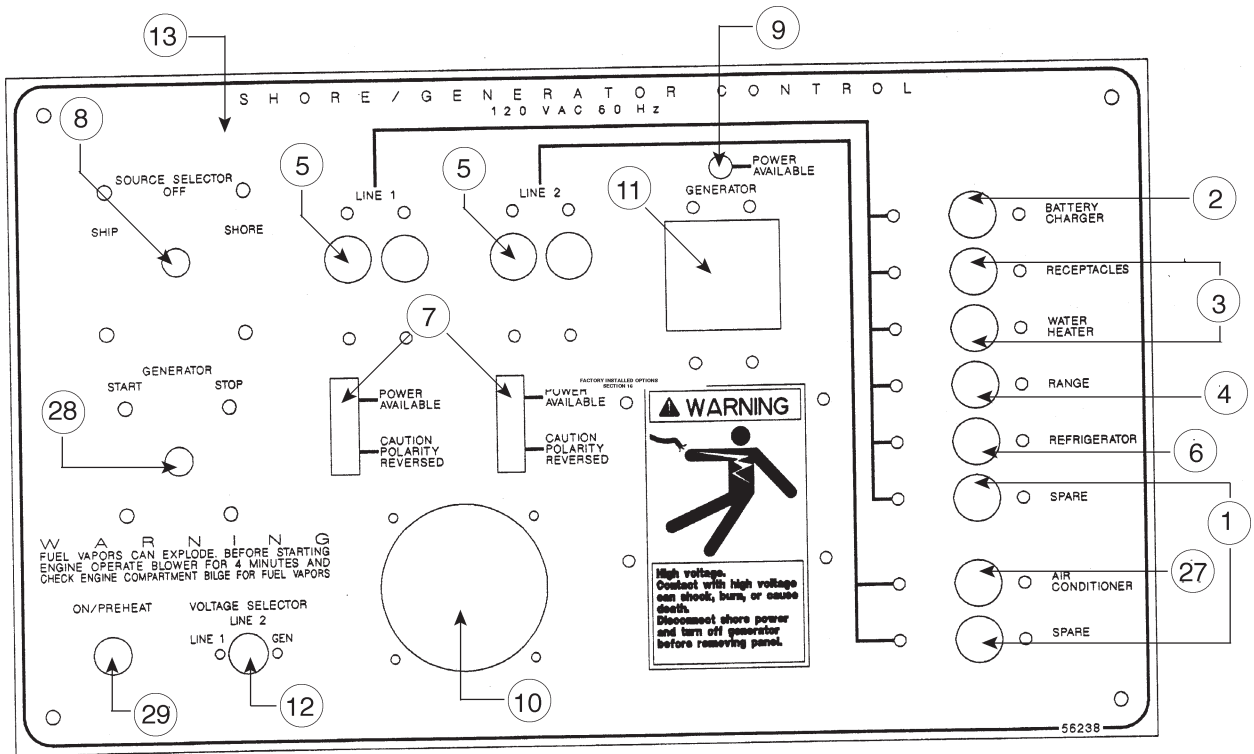
ITEM NO.	PART NUMBER	PART DESCRIPTION	U/M	QTY.
		220V AIR COND-16,000 BTU (OA5)		
		BOAT ELEC WIRING		
	E56304	PANEL ASSY, DOCKSIDE, 220V/50HZ	EA	1
		CIRCUIT BREAKER PANEL		
1	2883	5/8" DOMED HOLE PLUG	EA	2
2	10740	5 AMP BRKR RED HNDL	EA	1
3	10741	10 AMP BRKR RED HNDL	EA	3
4	11520	2 AMP BREAKER-RED	EA	1
*	11527	BUSS BAR 3 1/2" 5 HOLE	EA	1
*	11533	6-32 HEX NUT	EA	4
*	12869	RIVET BLACK PLS #231-100841-01-20	EA	4
*	33732	BUSS BAR ASSY 20 PRONG	EA	2
5	34837	0-300 VOLT AC VOLTMETER	EA	1
6	34838	POLARITY LIGHT-250VOLT AC	EA	2
7	35398	15 AMP DBL POLE BRKR RED	EA	2
8	54423	VOLTMETER SWITCH-2P3T	EA	1
9	56304	PANEL,BLANK,SHORE POWER	EA	1
*	56638	6-32 X 1/2 PPH MACHINE SCREW-STAI	EA	4
*	56639	6-32 X 1/4 PPH MACHINE SCREW-STAI	EA	18
*	57002	LABEL,220 VAC,50 HZ, EXPORT	EA	1
		AIR CONDITIONING		
*	60810	220V,A/C, 16,000 BTU	KT	1
10	65 #5	3/4" HIGH SPEED PICKUP	EA	1
11	62445	3/4" BALL VALVE, W/GND SCREW	EA	1
12	31229	3/4" BRBX3/4"MIPT W/1.5" BARB	EA	1
13	8893	3/4" HARDWALL WATER HOSE	FT	3
14	31229	3/4" BRB X 3/4 MIPT W/1.5" BARB	EA	1
15	54235	SEA STRAINER	EA	1
14	31229	3/4" BRB X 3/4 MIPT W/1.5" BARB	EA	1
16	8893	3/4" HARDWALL WATER HOSE	FT	2
17	1114	HOSE,WATER 5/8" SOFTWALL	FT	20
18	706	ST THRU HULL 5/8"	EA	1
		HULL INT LABELS		
*	13228	AIR COND. WATER PICK-UP LABEL	EA	1
		ELECTRICAL HARDWARE		
*	34866	CORDW/RING 50'16AMP 220V/50HZ	EA	1
*	34865	POWER INLET 16AMP 220V/50H	EA	1
*	13254	LINE 1 LABEL	EA	1
*	13255	LINE 2 LABEL	EA	1
*	7090	WALL BOX	EA	1
*	232	BLANK PLATE	EA	1
*	10742	15 AMP BREAKER RED HANDLE	EA	1
*	NOT SHOWN			
REFER TO FOLLOWING PAGE FOR DRAWINGS.				



ITEM NO.	PART NUMBER	PART DESCRIPTION	U/M	QTY.
110V AIR COND-16,000 BTU (OBD)				
BOAT ELEC WIRING				
*	61235	HARNESS,DOCKSIDE,AIR COND.(ER)	EA	1
	D56304	PANEL ASSY, DOCKSIDE, 110V/60HZ	EA	1
CIRCUIT BREAKER PANEL				
1	2883	5/8" DOMED HOLE PLUG	EA	2
2	10740	5 AMP BRKR RED HNDL	EA	1
3	10742	15 AMP BRKR RED HNDL	EA	2
4	10743	20 AMP BRKR RED HNDL	EA	1
5	10823	30 AMP DBL POLE BRKR-RED	EA	2
6	11520	2 AMP BREAKER-RED	EA	1
7	11521	POLARITY LIGHT	EA	2
*	11527	BUSS BAR 3 1/2" 5 HOLE	EA	1
*	11533	6-32 HEX NUT	EA	4
*	12869	RIVET BLACK PLS #231-100841-01-20	EA	4
8	13728	0-150 AC VOLTMETER	EA	1
*	33732	BUSS BAR ASSY 20 PRONG	EA	2
9	54423	VOLTMETER SWITCH-2P3T	EA	1
*	56304	PANEL,BLANK,SHORE POWER	EA	1
*	56638	6-32 X 1/2 PPH MACHINE SCREW-STAI	EA	4
*	56639	6-32 X 1/4 PPH MACHINE SCREW-STAI	EA	18
AIR CONDITIONING				
*	60772	A/C, 16,000 BTU, 110V 3258ER	KT	1
10	65 #5	3/4" HIGH SPEED PICKUP	EA	1
11	62445	3/4" BALL VALVE, W/GNG SCREW	EA	1
12	31229	3/4" BRBX3/4"MIPT W/1.5" BARB	EA	1
13	8893	3/4" HARDWALL WATER HOSE	FT	3
14	31229	3/4" BRBX3/4"MIPT W/1.5" BARB	EA	1
15	54235	SEA WATER STRAINER	EA	1
14	31229	3/4" BRBX3/4"MIPT W/1.5" BARB	EA	1
16	8893	3/4" HARDWALL WATER HOSE	FT	2
17	1114	HOSE,WATER 5/8" SOFTWALL	FT	22
18	706	ST THRU HULL 5/8"	EA	1
HULL INT LABELS				
*	13228	AIR COND. WATER PICK-UP LABEL	EA	1
ELECTRICAL HARDWARE				
*	275	CORD W/RING 50'(30AMP)	EA	1
*	274	POWER INLET 30AMP	EA	1
*	13254	LINE 1 LABEL	EA	1
*	13255	LINE 2 LABEL	EA	1
*	7090	WALL BOX	EA	1
*	232	BLANK PLATE	EA	1
*	60597	ZINC SAVER 30 AMP	EA	1
*	10826	30 AMP BREAKER RED HANDLE	EA	1
* NOT SHOWN				
REFER TO FOLLOWING PAGE FOR DRAWINGS.				



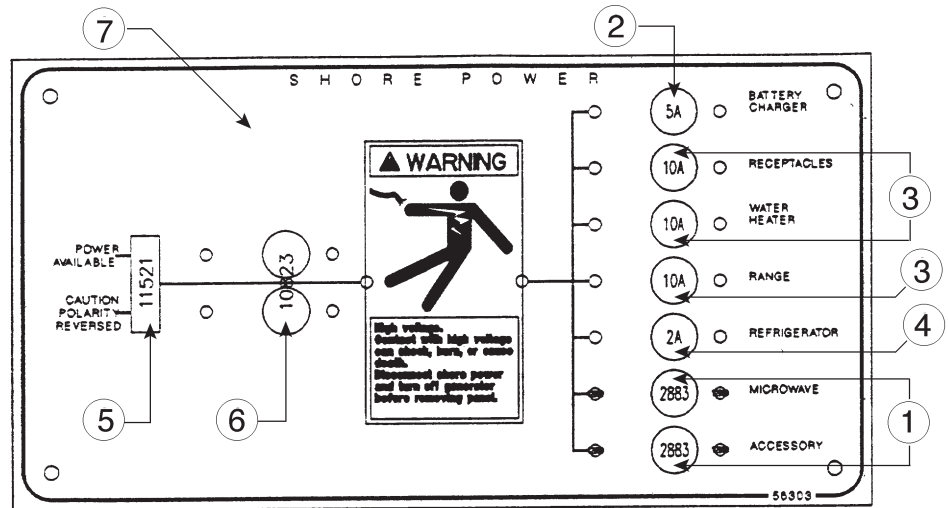
ITEM NO.	PART NUMBER	PART DESCRIPTION	U/M	QTY.
4.5KW 110V GAS GENERATOR (OGP)				
BOAT ELEC WIRING				
	D56238	PANEL ASSY, DOCKSIDE, 110V/60HZ	EA	1
*	61080	CABLE KIT, GENERATOR-WESTERBEKE	EA	1
CIRCUIT BREAKER PANEL				
1	2883	5/8" DOMED HOLE PLUG	EA	2
*	3644	TINNERMAN PUSH-ON CLIP	EA	1
2	10740	5 AMP BRKR RED HNDL	EA	1
3	10742	15 AMP BRKR RED HNDL	EA	2
4	10743	20 AMP BRKR RED HNDL	EA	1
5	10823	30 AMP DBL POLE BRKR-RED	EA	2
6	11520	2 AMP BREAKER-RED	EA	1
7	11521	POLARITY LIGHT	EA	2
8	11526	GEN SOURCE SELECTOR SWTCH	EA	1
*	11527	BUSS BAR 3 1/2" 5 HOLE	EA	1
*	11533	6-32 HEX NUT	EA	12
*	12869	RIVET BLACK PLS #231-100841-01-20	EA	4
9	13221	AC GREEN INDICATOR LT-LOW PROFILE	EA	1
10	13728	0-150 AC VOLTMETER	EA	1
*	33732	BUSS BAR ASSY 20 PRONG	EA	2
11	50152	50 AMP 2 POLE CRCIT BRKR	EA	1
12	54423	VOLTMETER SWITCH-2P3T	EA	1
13	56238	PANEL,BLANK, A/C	EA	1
MISC. WIRE ASSY				
27	10826	30 AMP BREAKER RED HANDLE	EA	1
28	12536	GEN START/STOP SWITCH - WESTERBEKE	EA	1
29	2983	1/2" DOMED HOLE PLUG	EA	1
*	13670	DPST-MOM TOGGLE SWITCH PREHEAT	EA	1
*	13952	10 PLACE GROUND/NEUTRAL BUSS BAR	EA	1
GENERATOR SYSTEMS				
*	61935	HARNESS GENERATOR, GAS	EA	1
14	62104	GENERATOR,GAS 4.5KW	EA	1
*	619	1" HARDWALL HOSE	FT	2
*	62365	SIPHON BREAK, 1"	EA	1
15	11866	2" HARDWALL EXH. HOSE	FT	10
16	54424	MUFFLER LIFT GEN SET	EA	1
17	13669	2" THRU-HULL W/FLAPPER-CHR BRASS	EA	1
18	57223	SEA STRAINER 10/	EA	1
19	14486	3/4" BRZN THRU HULL CONN	EA	1
20	62445	3/4" BALL VALVE, W/GND SCREW	EA	1
21	31230	1" BRBX3/4"MIPT W/1.5" BARB	EA	1
22	619	1" HARDWALL WATER HOSE	FT	3
23	31230	1" BRBX3/4"MIPT W/1.5" BARB	EA	1
24	2754	3/4" SEA STRAINER	EA	1
25	31229	3/4" BRBX3/4"MIPT W/1.5" BARB	EA	1
GENERATOR FUEL SYSTEMS				
*	624	HOSE,FUEL FEED,3/8"	FT	3
*	694-EC	3/8BRB X 1/4MIP BRS M ADP	EA	1
*	61232	GAS FUEL P/U 16 1/4" TUBE W/GEN OPT	EA	1
*	50-60002	ANTI-SIPHON VALVE	EA	1
HULL INT LABELS				
*	13226	GEN WATER PICK-UP LABEL	EA	1
*	3885-A	BATT INSTALLATION/COMPL LABEL	EA	1
*	NOT SHOWN	REFER TO DRAWINGS ON PAGE 46.		



ITEM NO.	PART NUMBER	PART DESCRIPTION	U/M	QTY.
3.5KW 220V GAS GENERATOR (OGQ)				
BOAT ELEC WIRING				
	E56238	PANEL ASSY, DOCKSIDE, 220V/50HZ	EA	1
*	61080	CABLE KIT, GENERATOR	EA	1
CIRCUIT BREAKER PANEL				
1	2883	5/8" DOMED HOLE PLUG	EA	2
*	3644	TINNERMAN PUSH-ON CLIP	EA	1
2	10740	5 AMP BRKR RED HNDL	EA	1
3	10741	10 AMP BRKR RED HNDL	EA	3
4	10742	15 AMP BRKR RED HNDL	EA	1
5	11520	2 AMP BREAKER-RED	EA	1
6	11526	GEN SOURCE SELECTOR SWTCH	EA	1
*	11527	BUSS BAR 3 1/2" 5 HOLE	EA	1
*	11533	6-32 HEX NUT	EA	12
*	12869	RIVET BLACK PLS #231-100841-01-20	EA	4
*	33732	BUSS BAR ASSY 20 PRONG	EA	2
7	34837	0-300 VOLT AC VOLTMETER	EA	1
8	34838	POLARITY LIGHT-250VOLT AC	EA	2
9	34839	AC GREEN IND LT-250 VOLT AC	EA	1
10	35398	15 AMP DBL POLE BRKR RED	EA	2
11	50152	50 AMP 2 POLE CRCIT BRKR	EA	1
12	54423	VOLTMETER SWITCH-2P3T	EA	1
13	56238	PANEL,BLANK, A/C	EA	1
MISC. WIRE ASSY				
*	57002	LABEL,220 VAC,50 HZ, EXPORT	EA	1
27	12536	GEN START/STOP SWITCH - WESTERBEKE	EA	1
28	2983	1/2" DOMED HOLE PLUG	EA	1
*	56838	BATTERY SWITCH, 1/2/BOTH/OFF	EA	1
*	13952	10 PLACE GROUND/NEUTRAL BUSS BAR	EA	1
*	13670	DPST-MOM TOGGLE SWITCH "PREHEAT"	EA	1
GENERATOR SYSTEMS				
*	61935	HARNESS, GENERATOR GAS	EA	1
14	62104	GENERATOR,GAS 3.5KW	EA	1
*	619	1" HARDWALL HOSE	FT	2
*	62365	SIPHON BREAK, 1"	EA	1
15	11866	2" HARDWALL EXH. HOSE	FT	9
16	54424	MUFFLER LIFT GEN SET	EA	1
17	13669	2" THRU-HULL W/FLAPPER-CHR BRASS	EA	1
18	57223	SEA STRAINER	EA	1
19	14486	3/4" BRZN THRU HULL CONN	EA	1
20	62445	3/4" BALL VALVE, 3/4" W/GND SCREW	EA	1
21	31230	1" BRBX3/4"MIPT W/1.5" BARB	EA	3
22	619	1" HARDWALL WATER HOSE	FT	3
23	2754	3/4" SEA STRAINER	EA	1
GENERATOR FUEL SYSTEMS				
*	624	HOSE,FUEL FEED,3/8"	FT	3
*	694-EC	3/8BRB X 1/4MIP BRS M ADP	EA	1
*	61232	GAS FUEL P/U 16 1/4" TUBE W/GEN OPT	EA	1
*	50-60002	ANTI-SIPHON VALVE	EA	1
*	702-EC	3/8BRB X 1/8MIP BRS M ADP	EA	1
HULL INT LABELS				
*	13226	GEN WATER PICK-UP LABEL	EA	1
*	3885-A	BATT INSTALLATION/COMPL LABEL	EA	1
* NOT SHOWN				
REFER TO DRAWINGS ON PAGE 46.				

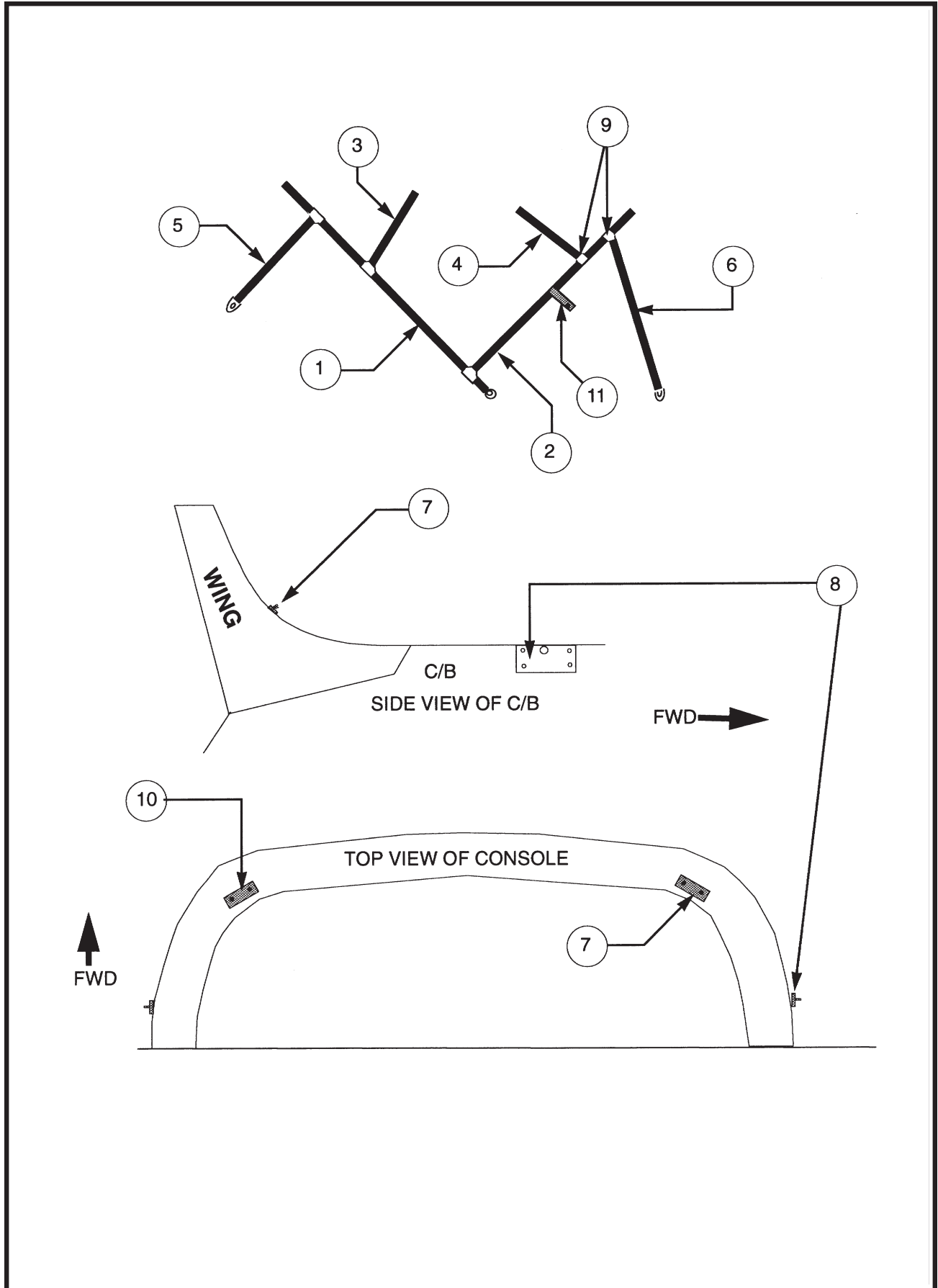
ITEM NO.	PART NUMBER	PART DESCRIPTION	U/M	QTY.
220V/50HZ ELECTRICAL CONVERSION (OVA) BOAT ELEC WIRING				
	E56303	PANEL ASSY, DOCKSIDE, 220V/50HZ CIRCUIT BREAKER PANEL	E A	1
1	2883	5/8" DOMED HOLE PLUG	EA	2
2	10740	5 AMP BRKR RED HNDL	EA	1
3	10741	10 AMP BRKR RED HNDL	EA	3
4	11520	2 AMP BREAKER-RED	EA	1
5	34838	POLARITY LIGHT, 250 VOLT AC	EA	1
*	11527	BUSS BAR 3 1/2" 5 HOLE	EA	1
*	12869	RIVET BLACK PLS #231-100841-01-20	EA	4
*	33732	BUSS BAR ASSY 20 PRONG	EA	1
6	35398	15 AMP DBL POLE BRKR RED	EA	1
7	56303	PANEL,BLANK,SHORE POWER	EA	1
*	56639	6-32 X 1/4 PPH MACHINE SCREW-STAI	EA	14
*	57002	LABEL,220 VAC,50 HZ, EXPORT	EA	1
*	56638	6-32 X 1/2 PPH MACHINE SCREW-STAI	EA	2
*	11533	6-32 HEX NUT	EA	2
HULL INT ASSY HARDWARE				
*	34864	A/E STOVE GLASS TOP 220/50HV2\	EA	1
*	59495	REFRIGE-FLSH MNT 220V/50HZ WS 53641	EA	1
*	64384	WHITE 220V MICROWAVE	EA	1
ELECTRICAL HARDWARE				
*	34865	POWER INLET 16AMP 220V/50H	EA	1
*	34866	CORD W/RING 50' 16AMP 220V/50HZ	EA	1
*	232	BLANK PLATE	EA	8
*	61546	15 AMP 22 BATTERY CHARGER	EA	1
*	7090	WALL BOX	EA	1
FRESH WATER SYSTEM				
*	54472	HEATER WATER 6 GAL 220V	EA	1

* NOT SHOWN

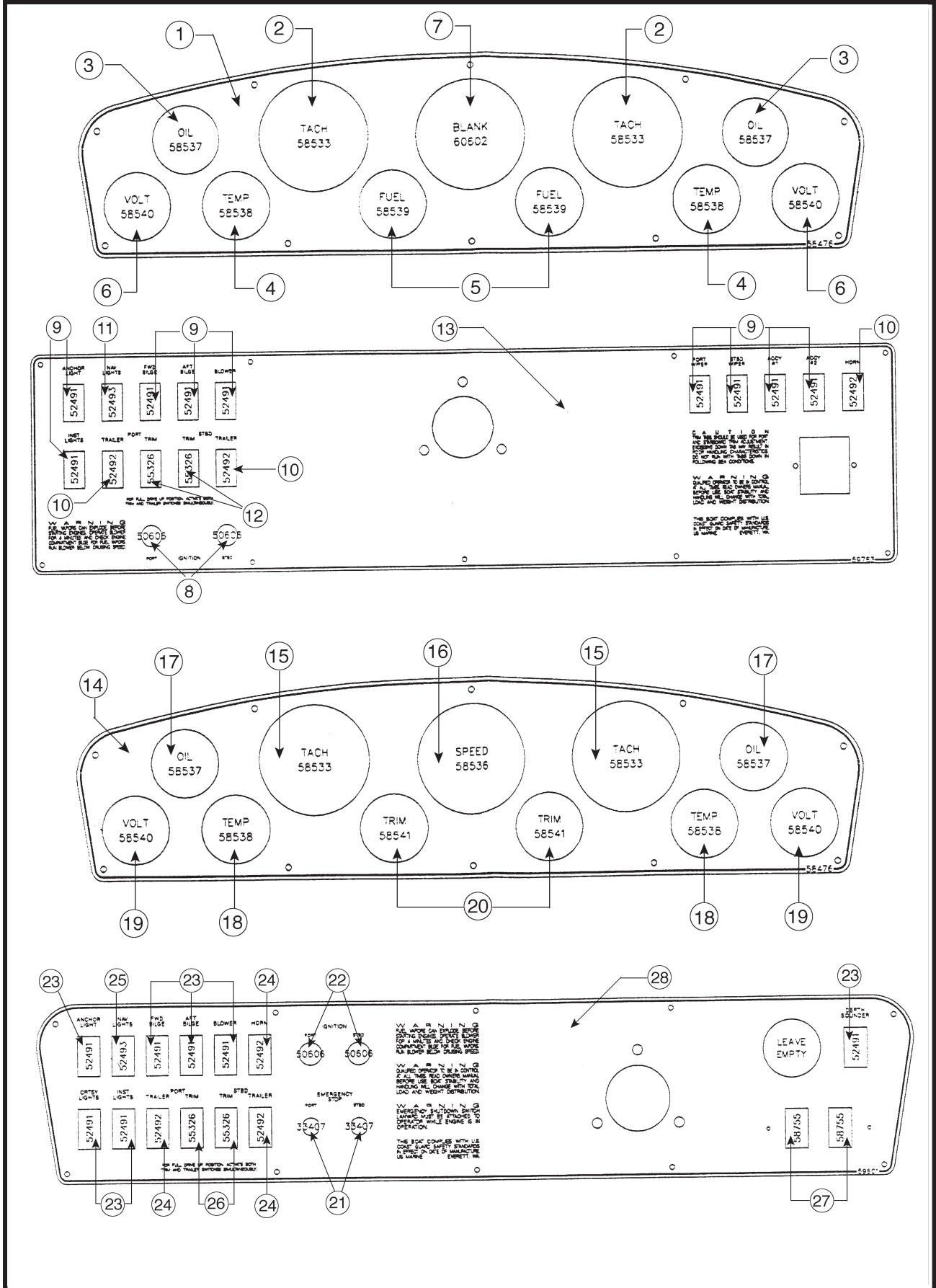


ITEM NO.	PART NUMBER	PART DESCRIPTION	U/M	QTY.
		EUROPEAN STEREO EXCHANGE OPTION (OVJ)		
		AUDIO VISUAL EQUIPMENT		
*	66142	STEREO AM/FM CASSETTE EURO SPEC 5/B	EA	1
		CD PLAYER EXCHANGE (OS1)		
		AUDIO VISUAL EQUIPMENT		
*	63720	12 DISC CHANGER	EA	1
		WINDLASS/SPOTLIGHT OPTION (OWQ)		
		BOAT ELEC WIRING		
*	60409	HARNESS/CABLE KIT, CRUISE PACK ER	EA	1
		SWITCH PANEL		
*	3644	TINNERMAN PUSH-ON CLIP	EA	1
*	13225	DC BLUE INDICATOR LT-LOW PROFILE	EA	1
*	33980	SWITCH - WINDLASS POWER	EA	1
*	55960	PANEL,BLANK,WINDLASS	EA	1
*	59490	CIRCUIT BREAKER,80A	EA	1
*	11558	STEREO SPEAKER BACK COVER	EA	1
		ELECTRICAL HARDWARE		
*	3497	BATTERY BOOT	EA	4
		DECK HARDWARE		
*	59448	WINDLASS,CONCEPT GYPSY SYSTEM-002	EA	1
*	36019	SAFETY DECK SWITCH	EA	2
*	7821	CLEAT 8" 4-HOLE CHROME	EA	1
		RADAR WING		
*	39918	REMOTE CNT'L SEARCHLITE 10' PIGTAIL	EA	1
		CANVAS		
*	50499	SPOTLIGHT COVER	EA	1
*	60167	WINCHCOVER	EA	1
		BOTTOM PAINT (OBP)		
		LAM HULL		
*	31148	BOTTOMKOTE FBGS-BLACK	GL	2
*	NOT SHOWN			

ITEM NO.	PART NUMBER	PART DESCRIPTION	U/M	QTY.
		BIMINI TOP OPTION (OBX)		
	89700	BIMINI TOP AND BOW COMPLETE ASSY	K T	1
*	66970	BIMINI TOP 3258ER	EA	1
*	66175	CANVAS-NAVY BLUE-SUNBRELLA 60"	LY	7
	61464	BIMINI TOP BOW ASSY 3258ER	EA	1
1	61464-A	#1 MAIN BOW	EA	1
2	61464-B	#2 TOP BOW	EA	1
3	61464-C	#3 TOP BOW	EA	1
4	61464-D	#4 TOP BOW	EA	1
5	61464-E	AFT BRACE	EA	2
6	61464-F	FWD BRACE	EA	2
7	55695	ANGLED DECK HINGE/CAP ASSY-1"W/PIN	EA	3
8	55696	DECK HINGE PLATE/CAP-1"SS 4-HOLE	EA	2
9	55697	TOP SLIDE/CAP ASSY 1"SS	EA	10
10	55698	90DG DECK HINGE/CAP ASSY 1"SS W/PIN	EA	1
11	53095	RETAINING STRAP (BLACK)	EA	2
		MISC TTOP CANVAS ASSY'S		
*	32244	1" BLACK NYLON WEBBING	FT	1
*	81	SNAP BUTTON	EA	1
*	82	SNAP SOCKET	EA	1
*	83	SNAP STUD	EA	1
*	84	SNAP EYE	EA	1
		BIMINI BOOT		
*	61466	BIMINI TOP BOOT 3258ER	EA	1
*	66175	CANVAS-BLUE SUNBRELLA 60"	LY	2
*	63196	48"WHT SEPERATING ZIPPER	EA	2
*	NOT SHOWN			
REFER TO FOLLOWING PAGE FOR DRAWING.				



ITEM NO.	PART NUMBER	PART DESCRIPTION	U/M	QTY.
TWIN 5.7L BRAVO II (ED4)				
BOAT ELEC WIRING				
*	59640-A	HARNESS, ENG/ACCY (ER GAS I/O FUSE BLOCK	E A	1
*	14789	14 PLACE FUSEBLOCK/AUTO STYLE FUS	EA	2
*	31265	5 AMP FUSE #P-3087	EA	4
*	31266	7.5 AMP FUSE #P-3087	EA	2
*	31267	10 AMP FUSE #P-3087	EA	17
*	31268	15 AMP FUSE #P-3087	EA	4
*	31269	20 AMP FUSE #P-3087	EA	1
MISC. WIRE ASSY				
*	6332	FUSE 20 AMP (AGC-20) #P-3087	EA	7
*	59641-A	DASH/HARNESS ASSY (L/S ER GAS)	E A	1
LOWER GAUGE PANEL				
1	58476	PANEL BLANK,INSTRUMENT	EA	1
2	58533	GAUGE,TACH I/O, RIV DRFTWD SILK	EA	2
3	58537	GAUGE,OIL,RIV DRIFTWOOD SILK	EA	2
4	58538	GAUGE,TEMP,RIV DRIFTWOOD SILK	EA	2
5	58539	GAUGE,FUEL,RIV DRIFTWOOD SILK	EA	2
6	58540	GAUGE,VOLT,RIV DRIFTWOOD SILK	EA	2
7	60602	GAUGE,LARGE BLNK,RIVIERA DRFTWD S	EA	1
LOWER SWITCH PANEL				
8	50606	IGNITION SWITCH FOR I/O	EA	2
9	52491	SWITCH SPST, ON-OFF	EA	9
10	52492	SWITCH SPST, MOMENTARY ON-OFF	EA	3
11	52493	SWITCH SPDT, ON-ON	EA	1
12	55326	SWITCH SPDT-MOMENTARY	EA	2
13	59783	PANEL BLANK,SWITCH, L/S (ER)	EA	1
*	59642-A	DASH/HARNESS ASSY (U/S ER GAS)	E A	1
UPPER GAUGE PANEL				
14	58476	PANEL BLANK,INSTRUMENT)	EA	1
15	58533	GAUGE,TACH I/O, RIV DRFTWD SILK	EA	2
16	58536	GAUGE,SPEEDO,RIVIERA DRIFTWOOD SI	EA	1
17	58537	GAUGE,OIL,RIV DRIFTWOOD SILK	EA	2
18	58538	GAUGE,TEMP,RIV DRIFTWOOD SILK	EA	2
19	58540	GAUGE,VOLT,RIV DRIFTWOOD SILK	EA	2
20	58541	GAUGE,TRIM,RIV DRIFTWOOD SILK	EA	2
UPPER SWITCH PANEL				
21	33407	ENGINE SHUT-OFF SWITCH	EA	2
22	50606	IGNITION SWITCH FOR I/O	EA	2
23	52491	SWITCH SPST, ON-OFF	EA	7
24	52492	SWITCH SPST, MOMENTARY ON-OFF	EA	3
25	52493	SWITCH SPDT, ON-ON	EA	1
26	55326	SWITCH SPDT-MOMENTARY	EA	2
27	58755	HOLE PLUG,SWITCH,CONTURA	EA	2
28	59601	PANEL BLANK, HELM, UPPER STA	EA	1
*	60406	CABLE KIT, BATTERY (GAS ER)	EA	1
*	55705	HARNESS, MERCATHODE	E A	1
*	6332	FUSE 20 AMP (AGC-20) #P-3087	EA	1
* NOT SHOWN				
REFER TO FOLLOWING PAGE FOR DRAWINGS.				



ITEM NO.	PART NUMBER	PART DESCRIPTION	U/M	QTY.
TWIN 5.7L BRAVO II cont'd.				
ENGINE SYSTEMS				
*	34101	5.7L MERC BRAVO II 2.0	EA	2
*	57466	ENGINE MOUNT CENTER, TWIN	EA	1
*	57268	MOTOR MOUNT KIT	PR	1
*	53944	1/2-13 X 5-1/2 HCS	EA	8
*	37487	MOTOR MOUNT WASHERS	EA	8
*	55066	18 1/4 X 19 SS PROP L.H.	EA	1
*	51728	18-1/4 X 19 PROP	EA	1
*	54201	3" RISER EXT. KIT BRAVO II	KT	2
*	36617	RISER ELBOW 5.0/5.7L	EA	2
*	13997	PERFECT SEAL #4 SEAL. COMP	PT	1
*	02031	TEMP SENDER DUAL 3/8 NPT	EA	2
*	02504-1	OIL SENDER DUAL	EA	2
SHIFTER & CONTROL CABLE				
*	1428	26' SUPREME CABLE (LOWER PORT THROTTLE)	EA	1
*	1426	24' SUPREME CABLE (LOWER PORT SHIFTER)	EA	1
*	1424	22' SUPREME CABLE (LOWER STBD THROTTLE)	EA	1
*	1422	20' SUPREME CABLE (LOWER STBD SHIFTER)	EA	1
*	1420	15' SUPREME CABLE (UPPER PORT THROTTLE/SHIFT)	EA	2
*	1420	15' SUPREME CABLE (UPPER STBD THROTTLE/SHIFT)	EA	2
STEERING SYSTEM				
*	34431	STEERING TIE BAR F/MERC	EA	1
*	11953	20' (RX-4) STR CABLE (UPPER STATION)	EA	1
*	11955	22' (RX-4) STR CABLE (LOWER STATION)	EA	1
ENGINE FUEL SYSTEM				
*	50-60002	ANTI-SIPHON VALVE	EA	2
*	624	HOSE,FUEL FEED,3/8"	FT	16
*	694-EC	3/8BRB X 1/4MIP BRS M ADP	EA	2
HULL INT LABELS				
*	13236	PORT ENGINE LABEL	EA	1
*	13237	STARBOARD ENGINE LABEL	EA	1
*	3885-A	BATT INSTALLATION/COMPL LABEL	EA	2
*	NOT SHOWN			

ITEM NO.	PART NUMBER	PART DESCRIPTION	U/M	QTY.
T-7.4L MERC BRAVO II (EF5)				
BOAT ELEC WIRING				
*	59640-A	HARNESS, ENG/ACCY (ER GAS I/O FUSE BLOCK	EA	1
*	14789	14 PLACE FUSEBLOCK/AUTO STYLE FUS	EA	2
*	31265	5 AMP FUSE #P-3087	EA	4
*	31266	7.5 AMP FUSE #P-3087	EA	2
*	31267	10 AMP FUSE #P-3087	EA	17
*	31268	15 AMP FUSE #P-3087	EA	4
*	31269	20 AMP FUSE #P-3087	EA	1
MISC. WIRE ASSY				
*	6332	FUSE 20 AMP (AGC-20) #P-3087	EA	7
*	66556	DASH ASSY,L/S (ER) GAS	EA	1
LOWER GAUGE PANEL				
1	58476	PANEL BLANK,INSTRUMENT	EA	1
2	66086	GAUGE,TACH,GAS(I/O &O/B)KRONOS ST	EA	2
3	66090	GAUGE,OIL PRESSURE,KRONOS STNLS	EA	2
4	66091	GAUGE,WATER TEMP,KRONOS STNLS	EA	2
5	66092	GAUGE,FUEL LEVEL,KRONOS STNLS	EA	2
6	66093	GAUGE,VOLTMETER,KRONOS STNLS	EA	2
7	66101	GAUGE,LARGE BLANK,KRONOS S.S.	EA	1
LOWER SWITCH PANEL				
8	62860	SWITCH,INBD,I/O IGNITION	EA	2
9	52491	SWITCH SPST, ON-OFF	EA	9
10	52492	SWITCH SPST, MOMENTARY ON-OFF	EA	3
11	52493	SWITCH DPDT, ON-ON	EA	1
12	55326	SWITCH SPDT-MOMENTARY	EA	2
13	59783	PANEL BLANK,SWITCH, L/S (ER)	EA	1
*	66557	DASH ASSY,U/S(ER) GAS	EA	1
UPPER GAUGE PANEL				
14	58476	PANEL BLANK,INSTRUMENT	EA	1
15	66086	GAUGE,TACH,GAS(I/O &O/B)KRONOS ST	EA	2
16	66089	GAUGE,SPEEDO,KRONOS STNL	EA	1
17	66090	GAUGE,OIL PRESSURE,KRONOS STNLS	EA	2
18	66091	GAUGE,WATER TEMP,KRONOS STNLS	EA	2
19	66093	GAUGE,VOLTMETER,KRONOS STNLS	EA	2
20	66095	GAUGE,TRIM INDICATOR,KRONOS,STNLS	EA	2
UPPER SWITCH PANEL				
21	33407	ENG.SHUT-OFF SWITCH	EA	2
22	62860	SWITCH,INBD,I/O IGNITION	EA	2
23	52491	SWITCH SPST, ON-OFF	EA	7
24	52492	SWITCH SPST, MOMENTARY ON-OFF	EA	3
25	52493	SWITCH DPDT, ON-ON	EA	1
26	55326	SWITCH SPDT-MOMENTARY	EA	2
27	58755	HOLE PLUG,SWITCH,CONTURA	EA	2
28	59601	PANEL BLANK, HELM, UPPER STA	EA	1
*	60406	CABLE KIT, BATTERY (GAS ER)	EA	1
*	55705	HARNESS, MERCATHODE	EA	1
*	6332	FUSE 20 AMP (AGC-20) #P-3087	EA	1
*	68876	HARNESS DASH,L/S (ER) GAS	EA	1
*	68877	HARNESS/DASH U/S (ER) GAS	EA	1
*	NOT SHOWN			
REFER TO DRAWINGS ON PAGE 52.				

ITEM NO.	PART NUMBER	PART DESCRIPTION	U/M	QTY.
ENGINE SYSTEMS				
*	34100	7.4L B2 2.0 SD	EA	2
*	57466	ENGINE MOUNT CENTER, TWIN	EA	1
*	57268	MOTOR MOUNT KIT	PR	1
*	53944	1/2-13 X 5-1/2 HCS	EA	8
*	37487	MOTOR MOUNT WASHERS	EA	8
*	39421	17 3/4 X 21 MERC PROP LH	EA	1
*	34329	17 3/4 X 21 PROP RH	EA	1
*	36315	3" RISER KIT	EA	2
*	36618	RISER ELBOW BRAVO V-8 7.4L	EA	2
*	13997	PERFECT SEAL #4 SEAL. COMP.	PT	1
*	02031	TEMP SENDER DUAL 3/8 NPT	EA	2
*	02504-1	OIL SENDER DUAL	EA	2
SHIFTER & CONTROL CABLE				
*	1428	26' SUPREME CABLE (LOWER PORT THROTTLE)	EA	1
*	1426	24' SUPREME CABLE (LOWER PORT SHIFTER)	EA	1
*	1424	22' SUPREME CABLE (LOWER STBD THROTTLE)	EA	1
*	1422	20' SUPREME CABLE (LOWER STBD SHIFTER)	EA	1
*	1420	15' SUPREME CABLE (UPPER PORT THROTTLE/SHIFT)	EA	2
*	1420	15' SUPREME CABLE (LOWER STBD THROTTLE/SHIFT)	EA	2
STEERING SYSTEM				
*	34431	STEERING TIE BAR F/MERC	EA	1
*	11955	22'(RX-4)STR CBL	EA	1
*	11953	20'(RX-4)STR CBL	EA	1
*	65289	BRASS PWR STEERING HOSE COUPLER	EA	1
ENGINE FUEL SYSTEM				
*	50-60002	1/4 NPTF X 3/8 ALUM ANTI-SYPHON VLV	EA	2
*	624	HOSE,FUEL FEED,3/8"	FT	16
*	694-EC	3/8BRB X 1/4MIP BRS M ADP	EA	2
HULL INT LABELS				
*	13236	PORT ENGINE LABEL	EA	1
*	13237	STARBOARD ENGINE LABEL	EA	1
*	3885-A	BATT INSTALLATION/COMPL LABEL	EA	2
*	NOT SHOWN			

ITEM NO.	PART NUMBER	PART DESCRIPTION	U/M	QTY.
		TWIN 7.4L BRAVO III (EH1)		
		BOAT ELEC WIRING		
*	59640-A	HARNESS, ENG/ACCY (ER GAS I/O	E A	1
		FUSE BLOCK		
*	14789	14 PLACE FUSEBLOCK/AUTO STYLE FUS	EA	2
*	31265	5 AMP FUSE #P-3087	EA	4
*	31266	7.5 AMP FUSE #P-3087	EA	2
*	31267	10 AMP FUSE #P-3087	EA	17
*	31268	15 AMP FUSE #P-3087	EA	4
*	31269	20 AMP FUSE #P-3087	EA	1
		MISC. WIRE ASSY		
*	6332	FUSE 20 AMP (AGC-20) #P-3087	EA	7
*	66556	DASH ASSY,L/S (ER) GAS	E A	1
		LOWER GAUGE PANEL		
1	58476	PANEL BLANK,INSTRUMENT	EA	1
2	66086	GAUGE,TACH,GAS(I/O &O/B)KRONOS ST	EA	2
3	66090	GAUGE,OIL PRESSURE,KRONOS STNLS	EA	2
4	66091	GAUGE,WATER TEMP,KRONOS STNLS	EA	2
5	66092	GAUGE,FUEL LEVEL,KRONOS STNLS	EA	2
6	66093	GAUGE,VOLTMETER,KRONOS STNLS	EA	2
7	66101	GAUGE,LARGE BLANK,KRONOS S.S.	EA	1
		LOWER SWITCH PANEL		
8	62860	SWITCH,INBD,I/O IGNITION	EA	2
9	52491	SWITCH SPST, ON-OFF	EA	9
10	52492	SWITCH SPST, MOMENTARY ON-OFF	EA	3
11	52493	SWITCH DPDT, ON-ON	EA	1
12	55326	SWITCH SPDT-MOMENTARY	EA	2
13	59783	PANEL BLANK,SWITCH, L/S (ER)	EA	1
*	66718	BACKCLAMP 2" GAUGE (FARIA)	EA	8
*	66557	DASH ASSY,U/S(ER) GAS	E A	1
		UPPER GAUGE PANEL		
14	58476	PANEL BLANK,INSTRUMENT	EA	1
15	66086	GAUGE,TACH,GAS(I/O &O/B)KRONOS ST	EA	2
16	66089	GAUGE,SPEEDO,KRONOS STNL	EA	1
17	66090	GAUGE,OIL PRESSURE,KRONOS STNLS	EA	2
18	66091	GAUGE,WATER TEMP,KRONOS STNLS	EA	2
19	66093	GAUGE,VOLTMETER,KRONOS STNLS	EA	2
20	66095	GAUGE,TRIM INDICATOR,KRONOS,STNLS	EA	2
		UPPER SWITCH PANEL		
21	33407	ENG.SHUT-OFF SWITCH	EA	2
22	62860	SWITCH,INBD,I/O IGNITION	EA	2
23	52491	SWITCH SPST, ON-OFF	EA	7
24	52492	SWITCH SPST, MOMENTARY ON-OFF	EA	3
25	52493	SWITCH DPDT, ON-ON	EA	1
26	55326	SWITCH SPDT-MOMENTARY	EA	2
27	58755	HOLE PLUG,SWITCH,CONTURA	EA	2
28	59601	PANEL BLANK, HELM, UPPER STA	EA	1
*	66718	BACKCLAMP 2" GAUGE (FARIA)	EA	8
*	11533	6-32 HEX NUT	EA	2
*	11532	#6-32X1/2 PPH BLK OX/SS	EA	2
*	60406	CABLE KIT, BATTERY (GAS ER)	EA	1
*	55705	HARNESS, MERCATHODE	E A	1
*	6332	FUSE 20 AMP (AGC-20) #P-3087	EA	1
*	68876	HARNESS DASH,L/S (ER) GAS	E A	1
*	68877	HARNESS/DASH U/S (ER) GAS	E A	1
*	NOT SHOWN	REFER TO DRAWINGS ON PAGE 52.		

ITEM NO.	PART NUMBER	PART DESCRIPTION	U/M	QTY.
ENGINE SYSTEMS				
*	59874	7.4L B3 2.0 SD	EA	2
*	57466	ENGINE MOUNT CENTER, TWIN	EA	1
*	57268	MOTOR MOUNT KIT	PR	1
*	53944	1/2-13 X 5-1/2 HCS	EA	8
*	37487	MOTOR MOUNT WASHERS	EA	8
*	60063	15-1/2 X 24 X 3 SS BIII PROP	EA	2
*	60062	14-1/4 X 24 X 3 SS BIII PROP	EA	2
*	36315	3" RISER KIT	EA	2
*	36618	RISER ELBOW BRAVO V-8 7.4L	EA	2
*	13997	PERFECT SEAL #4 SEAL. COMP.	PT	1
*	02031	TEMP SENDER DUAL 3/8 NPT	EA	2
*	02504-1	OIL SENDER DUAL	EA	2
SHIFTER & CONTROL CABLE				
*	1428	26' SUPREME CABLE (LOWER PORT THROTTLE)	EA	1
*	1426	24' SUPREME CABLE (LOWER PORT SHIFTER)	EA	1
*	1424	22' SUPREME CABLE (LOWER STBD THROTTLE)	EA	1
*	1422	20' SUPREME CABLE (LOWER STBD SHIFTER)	EA	1
*	1420	15' SUPREME CABLE (UPPER PORT THROTTLE/SHIFT)	EA	2
*	1420	15' SUPREME CABLE (LOWER STBD THROTTLE/SHIFT)	EA	2
STEERING SYSTEM				
*	34431	STEERING TIE BAR F/MERC	EA	1
*	11955	22'(RX-4)STR CBL	EA	1
*	11953	20'(RX-4)STR CBL	EA	1
*	65289	BRASS PWR STEERING HOSE COUPLER	EA	1
ENGINE FUEL SYSTEM				
*	50-60002	1/4 NPTF X 3/8 ALUM ANTI-SYPHON VLV	EA	2
*	624	HOSE,FUEL FEED,3/8"	FT	16
*	694-EC	3/8BRB X 1/4MIP BRS M ADP	EA	2
HULL INT LABELS				
*	13236	PORT ENGINE LABEL	EA	1
*	13237	STARBOARD ENGINE LABEL	EA	1
*	3885-A	BATT INSTALLATION/COMPL LABEL	EA	2
*	NOT SHOWN			

ITEM NO.	PART NUMBER	PART DESCRIPTION	U/M	QTY.
		T5.7LX BII (EK9)		
		BOAT ELEC WIRING		
*	59640-A	HARNESS, ENG/ACCY (ER GAS I/O FUSE BLOCK	EA	1
*	14789	14 PLACE FUSEBLOCK/AUTO STYLE FUS	EA	2
*	31265	5 AMP FUSE #P-3087	EA	4
*	31266	7.5 AMP FUSE #P-3087	EA	2
*	31267	10 AMP FUSE #P-3087	EA	17
*	31268	15 AMP FUSE #P-3087	EA	4
*	31269	20 AMP FUSE #P-3087	EA	1
		MISC. WIRE ASSY		
*	6332	FUSE 20 AMP (AGC-20) #P-3087	EA	7
*	66556	DASH ASSY,L/S (ER) GAS	EA	1
		LOWER GAUGE PANEL		
1	58476	PANEL BLANK,INSTRUMENT	EA	1
2	66086	GAUGE,TACH,GAS(I/O &O/B)KRONOS ST	EA	2
3	66090	GAUGE,OIL PRESSURE,KRONOS STNLS	EA	2
4	66091	GAUGE,WATER TEMP,KRONOS STNLS	EA	2
5	66092	GAUGE,FUEL LEVEL,KRONOS STNLS	EA	2
6	66093	GAUGE,VOLTMETER,KRONOS STNLS	EA	2
7	66101	GAUGE,LARGE BLANK,KRONOS S.S.	EA	1
		LOWER SWITCH PANEL		
8	62860	SWITCH,INBD,I/O IGNITION	EA	2
9	52491	SWITCH SPST, ON-OFF	EA	9
10	52492	SWITCH SPST, MOMENTARY ON-OFF	EA	3
11	52493	SWITCH DPDT, ON-ON	EA	1
12	55326	SWITCH SPDT-MOMENTARY	EA	2
13	59783	PANEL BLANK,SWITCH, L/S (ER)	EA	1
		MISC. WIRE ASSY		
*	66718	BACKCLAMP 2" GAUGE (FARIA)	EA	8
*	66557	DASH ASSY,U/S(ER) GAS	EA	1
		UPPER GAUGE PANEL		
14	58476	PANEL BLANK,INSTRUMENT	EA	1
15	66086	GAUGE,TACH,GAS(I/O &O/B)KRONOS ST	EA	2
16	66089	GAUGE,SPEEDO,KRONOS STNL	EA	1
17	66090	GAUGE,OIL PRESSURE,KRONOS STNLS	EA	2
18	66091	GAUGE,WATER TEMP,KRONOS STNLS	EA	2
19	66093	GAUGE,VOLTMETER,KRONOS STNLS	EA	2
20	66095	GAUGE,TRIM INDICATOR,KRONOS,STNLS	EA	2
		UPPER SWITCH PANEL		
21	33407	ENG.SHUT-OFF SWITCH	EA	2
22	62860	SWITCH,INBD,I/O IGNITION	EA	2
23	52491	SWITCH SPST, ON-OFF	EA	7
24	52492	SWITCH SPST, MOMENTARY ON-OFF	EA	3
25	52493	SWITCH DPDT, ON-ON	EA	1
26	55326	SWITCH SPDT-MOMENTARY	EA	2
27	58755	HOLE PLUG,SWITCH,CONTURA	EA	2
28	59601	PANEL BLANK, HELM, UPPER STA	EA	1
*	66718	BACKCLAMP 2" GAUGE (FARIA)	EA	8
*	60406	CABLE KIT, BATTERY (GAS ER)	EA	1
*	55705	HARNESS, MERCATHODE	EA	1
*	6332	FUSE 20 AMP (AGC-20) #P-3087	EA	1
*	68876	HARNESS DASH,L/S (ER) GAS	EA	1
*	68877	HARNESS/DASH U/S (ER) GAS	EA	1
*	NOT SHOWN			

REFER TO PAGE 52 FOR DRAWINGS.

ITEM NO.	PART NUMBER	PART DESCRIPTION	U/M	QTY.
ENGINE SYSTEMS				
*	62239	5.7LX B2 2.0 SD	EA	2
*	57466	ENGINE MOUNT CENTER, TWIN	EA	1
*	57268	MOTOR MOUNT KIT	PR	1
*	53944	1/2-13 X 5-1/2 HCS	EA	8
*	37487	MOTOR MOUNT WASHERS	EA	8
*	55066	18 1/4 X 19 SS PROP L.H.	EA	1
*	51728	18-1/4 X 19 RH PROP	EA	1
*	36315	3" RISER KIT	EA	2
*	64560	5.7 EXHAUST ELBOW,3"	EA	4
*	13997	PERFECT SEAL #4 SEAL. COMP.	PT	1
*	02031	TEMP SENDER DUAL 3/8 NPT	EA	2
*	02504-1	OIL SENDER DUAL	EA	2
SHIFTER & CONTROL CABLE				
*	1428	26' SUPREME CABLE (LOWER PORT THROTTLE)	EA	1
*	1426	24' SUPREME CABLE (LOWER PORT SHIFTER)	EA	1
*	1424	22' SUPREME CABLE (LOWER STBD THROTTLE)	EA	1
*	1422	20' SUPREME CABLE (LOWER STBD SHIFTER)	EA	1
*	1420	15' SUPREME CABLE (UPPER PORT THROTTLE/SHIFT)	EA	2
*	1420	15' SUPREME CABLE (LOWER STBD THROTTLE/SHIFT)	EA	2
STEERING SYSTEM				
*	34431	STEERING TIE BAR F/MERC	EA	1
*	11955	22'(RX-4)STR CBL	EA	1
*	11953	20'(RX-4)STR CBL	EA	1
*	65289	BRASS PWR STEERING HOSE COUPLER	EA	1
ENGINE FUEL SYSTEM				
*	50-60002	1/4 NPTF X 3/8 ALUM ANTI-SYPHON VLV	EA	2
*	624	HOSE,FUEL FEED,3/8"	FT	16
*	694-EC	3/8BRB X 1/4MIP BRS M ADP	EA	2
HULL INT LABELS				
*	13236	PORT ENGINE LABEL	EA	1
*	13237	STARBOARD ENGINE LABEL	EA	1
*	3885-A	BATT INSTALLATION/COMPL LABEL	EA	2
*	NOT SHOWN			

ITEM NO.	PART NUMBER	PART DESCRIPTION	U/M	QTY.
		TWIN 5.7L(210HP) BII MERC S/D (EM1)		
		BOAT ELEC WIRING		
*	59640-A	HARNESS, ENG/ACCY (ER GAS I/O FUSE BLOCK	EA	1
*	14789	14 PLACE FUSEBLOCK/AUTO STYLE FUS	EA	2
*	31265	5 AMP FUSE #P-3087	EA	4
*	31266	7.5 AMP FUSE #P-3087	EA	2
*	31267	10 AMP FUSE #P-3087	EA	17
*	31268	15 AMP FUSE #P-3087	EA	4
*	31269	20 AMP FUSE #P-3087	EA	1
		MISC. WIRE ASSY		
*	6332	FUSE 20 AMP (AGC-20) #P-3087	EA	7
*	66556	DASH ASSY,L/S (ER) GAS	EA	1
		LOWER GAUGE PANEL		
1	58476	PANEL BLANK,INSTRUMENT	EA	1
2	66086	GAUGE,TACH,GAS(I/O &O/B)KRONOS ST	EA	2
3	66090	GAUGE,OIL PRESSURE,KRONOS STNLS	EA	2
4	66091	GAUGE,WATER TEMP,KRONOS STNLS	EA	2
5	66092	GAUGE,FUEL LEVEL,KRONOS STNLS	EA	2
6	66093	GAUGE,VOLTMETER,KRONOS STNLS	EA	2
7	66101	GAUGE,LARGE BLANK,KRONOS S.S.	EA	1
		LOWER SWITCH PANEL		
8	62860	SWITCH,INBD,I/O IGNITION	EA	2
9	52491	SWITCH SPST, ON-OFF	EA	9
10	52492	SWITCH SPST, MOMENTARY ON-OFF	EA	3
11	52493	SWITCH DPDT, ON-ON	EA	1
12	55326	SWITCH SPDT-MOMENTARY	EA	2
13	59783	PANEL BLANK,SWITCH, L/S (ER)	EA	1
		MISC. WIRE ASSY		
*	66718	BACKCLAMP 2" GAUGE (FARIA)	EA	8
*	66557	DASH ASSY,U/S(ER) GAS	EA	1
		UPPER GAUGE PANEL		
14	58476	PANEL BLANK,INSTRUMENT	EA	1
15	66086	GAUGE,TACH,GAS(I/O &O/B)KRONOS ST	EA	2
16	66089	GAUGE,SPEEDO,KRONOS STNL	EA	1
17	66090	GAUGE,OIL PRESSURE,KRONOS STNLS	EA	2
18	66091	GAUGE,WATER TEMP,KRONOS STNLS	EA	2
19	66093	GAUGE,VOLTMETER,KRONOS STNLS	EA	2
20	66095	GAUGE,TRIM INDICATOR,KRONOS,STNLS	EA	2
		UPPER SWITCH PANEL		
21	33407	ENG.SHUT-OFF SWITCH	EA	2
22	62860	SWITCH,INBD,I/O IGNITION	EA	2
23	52491	SWITCH SPST, ON-OFF	EA	7
24	52492	SWITCH SPST, MOMENTARY ON-OFF	EA	3
25	52493	SWITCH DPDT, ON-ON	EA	1
26	55326	SWITCH SPDT-MOMENTARY	EA	2
27	58755	HOLE PLUG,SWITCH,CONTURA	EA	2
28	59601	PANEL BLANK, HELM, UPPER STA	EA	1
		MISC. WIRE ASSY		
*	66718	BACKCLAMP 2" GAUGE (FARIA)	EA	8
*	60406	CABLE KIT, BATTERY (GAS ER)	EA	1
*	55705	HARNESS, MERCATHODE	EA	1
*	6332	FUSE 20 AMP (AGC-20) #P-3087	EA	1
*	68876	HARNESS DASH,L/S (ER) GAS	EA	1
*	68877	HARNESS/DASH U/S (ER) GAS	EA	1
*	NOT SHOWN	REFER TO PAGE 52 FOR DRAWINGS.		

ITEM NO.	PART NUMBER	PART DESCRIPTION	U/M	QTY.
ENGINE SYSTEMS				
*	63103	5.7L B2 2.2 SD	EA	2
*	57466	ENGINE MOUNT CENTER, TWIN	EA	1
*	57268	MOTOR MOUNT KIT	PR	1
*	53944	1/2-13 X 5-1/2 HCS	EA	8
*	37487	MOTOR MOUNT WASHERS	EA	8
*	39421	17 3/4 X 21 MERC PROP LH	EA	1
*	34329	17 3/4 X 21 PROP RH	EA	1
*	36315	3" RISER KIT	EA	2
*	64560	5.7 EXHAUST ELBOW,3"	EA	4
*	13997	PERFECT SEAL #4 SEAL. COMP.	PT	1
*	02031	TEMP SENDER DUAL 3/8 NPT	EA	2
*	02504-1	OIL SENDER DUAL	EA	2
SHIFTER & CONTROL CABLE				
*	1428	26' SUPREME CABLE (LOWER PORT THROTTLE)	EA	1
*	1426	24' SUPREME CABLE (LOWER PORT SHIFTER)	EA	1
*	1424	22' SUPREME CABLE (LOWER STBD THROTTLE)	EA	1
*	1422	20' SUPREME CABLE (LOWER STBD SHIFTER)	EA	1
*	1420	15' SUPREME CABLE (UPPER PORT THROTTLE/SHIFT)	EA	2
*	1420	15' SUPREME CABLE (LOWER STBD THROTTLE/SHIFT)	EA	2
STEERING SYSTEM				
*	34431	STEERING TIE BAR F/MERC	EA	1
*	11955	22'(RX-4)STR CBL	EA	1
*	11953	20'(RX-4)STR CBL	EA	1
*	65289	BRASS PWR STEERING HOSE COUPLER	EA	1
ENGINE FUEL SYSTEM				
*	50-60002	1/4 NPTF X 3/8 ALUM ANTI-SYPHON VLV	EA	2
*	624	HOSE,FUEL FEED,3/8	FT	16
*	694-EC	3/8BRB X 1/4MIP BRS M ADP	EA	2
HULL INT LABELS				
*	13236	PORT ENGINE LABEL	EA	1
*	13237	STARBOARD ENGINE LABEL	EA	1
*	3885-A	BATT INSTALLATION/COMPL LABEL	EA	2
*	NOT SHOWN			

ITEM NO.	PART NUMBER	PART DESCRIPTION	U/M	QTY.
		T-280 M EF1/B2 (5.7LX GEN+) 2:1 (ER1)		
		BOAT ELEC WIRING		
*	59640-A	HARNESS, ENG/ACCY (ER GAS I/O FUSE BLOCK	EA	1
*	14789	14 PLACE FUSEBLOCK/AUTO STYLE FUS	EA	2
*	31265	5 AMP FUSE #P-3087	EA	4
*	31266	7.5 AMP FUSE #P-3087	EA	2
*	31267	10 AMP FUSE #P-3087	EA	17
*	31268	15 AMP FUSE #P-3087	EA	4
*	31269	20 AMP FUSE #P-3087	EA	1
		MISC. WIRE ASSY		
*	6332	FUSE 20 AMP (AGC-20) #P-3087	EA	7
*	66556	DASH ASSY,L/S (ER) GAS	EA	1
		LOWER GAUGE PANEL		
1	58476	PANEL BLANK,INSTRUMENT	EA	1
2	66086	GAUGE,TACH,GAS(I/O &O/B)KRONOS ST	EA	2
3	66090	GAUGE,OIL PRESSURE,KRONOS STNLS	EA	2
4	66091	GAUGE,WATER TEMP,KRONOS STNLS	EA	2
5	66092	GAUGE,FUEL LEVEL,KRONOS STNLS	EA	2
6	66093	GAUGE,VOLTMETER,KRONOS STNLS	EA	2
7	66101	GAUGE,LARGE BLANK,KRONOS S.S.	EA	1
		LOWER SWITCH PANEL		
8	62860	SWITCH,INBD,I/O IGNITION	EA	2
9	52491	SWITCH SPST, ON-OFF	EA	9
10	52492	SWITCH SPST, MOMENTARY ON-OFF	EA	3
11	52493	SWITCH DPDT, ON-ON	EA	1
12	55326	SWITCH SPDT-MOMENTARY	EA	2
13	59783	PANEL BLANK,SWITCH, L/S (ER)	EA	1
		MISC. WIRE ASSY		
*	66718	BACKCLAMP 2" GAUGE (FARIA)	EA	8
*	66557	DASH ASSY,U/S(ER) GAS	EA	1
		UPPER GAUGE PANEL		
14	58476	PANEL BLANK,INSTRUMENT	EA	1
15	66086	GAUGE,TACH,GAS(I/O &O/B)KRONOS ST	EA	2
16	66089	GAUGE,SPEEDO,KRONOS STNL	EA	1
17	66090	GAUGE,OIL PRESSURE,KRONOS STNLS	EA	2
18	66091	GAUGE,WATER TEMP,KRONOS STNLS	EA	2
19	66093	GAUGE,VOLTMETER,KRONOS STNLS	EA	2
20	66095	GAUGE,TRIM INDICATOR,KRONOS,STNLS	EA	2
		UPPER SWITCH PANEL		
21	33407	ENG.SHUT-OFF SWITCH	EA	2
22	62860	SWITCH,INBD,I/O IGNITION	EA	2
23	52491	SWITCH SPST, ON-OFF	EA	7
24	52492	SWITCH SPST, MOMENTARY ON-OFF	EA	3
25	52493	SWITCH DPDT, ON-ON	EA	1
26	55326	SWITCH SPDT-MOMENTARY	EA	2
27	58755	HOLE PLUG,SWITCH,CONTURA	EA	2
28	59601	PANEL BLANK, HELM, UPPER STA	EA	1
		MISC. WIRE ASSY		
*	66718	BACKCLAMP 2" GAUGE (FARIA)	EA	8
*	60406	CABLE KIT, BATTERY (GAS ER)	EA	1
*	55705	HARNESS, MERCATHODE	EA	1
*	6332	FUSE 20 AMP (AGC-20) #P-3087	EA	1
*	68876	HARNESS DASH,L/S (ER) GAS	EA	1
*	68877	HARNESS/DASH U/S (ER) GAS	EA	1
*	NOT SHOWN	REFER TO PAGE 52 FOR DRAWINGS.		

ITEM NO.	PART NUMBER	PART DESCRIPTION	U/M	QTY.
PROP				
*	55066	18 1/4 X 19 SS PROP L.H.	EA	1
*	51728	18-1/4 X 19 RH PROP	EA	1
ENGINE SYSTEMS				
*	69922	280M EFI/B2 (5.7LX GEN+) 2.0:1	EA	2
*	57466	ENGINE MOUNT CENTER, TWIN	EA	1
*	57268	MOTOR MOUNT KIT	PR	1
*	53944	1/2-13 X 5-1/2 HCS	EA	8
*	37487	MOTOR MOUNT WASHERS	EA	8
*	02031	TEMP SENDER DUAL 3/8 NPT	EA	2
*	02504-1	OIL SENDER DUAL	EA	2
SHIFTER & CONTROL CABLE				
*	1428	26' SUPREME CABLE (LOWER PORT THROTTLE)	EA	1
*	1426	24' SUPREME CABLE (LOWER PORT SHIFTER)	EA	1
*	1424	22' SUPREME CABLE (LOWER STBD THROTTLE)	EA	1
*	1422	20' SUPREME CABLE (LOWER STBD SHIFTER)	EA	1
*	1420	15' SUPREME CABLE (UPPER PORT THROTTLE/SHIFT)	EA	2
*	1420	15' SUPREME CABLE (LOWER STBD THROTTLE/SHIFT)	EA	2
STEERING SYSTEM				
*	34431	STEERING TIE BAR F/MERC	EA	1
*	11955	22'(RX-4)STR CBL	EA	1
*	11953	20'(RX-4)STR CBL	EA	1
*	65289	BRASS PWR STEERING HOSE COUPLER	EA	1
ENGINE FUEL SYSTEM				
*	50-60002	1/4 NPTF X 3/8 ALUM ANTI-SYPHON VLV	EA	2
*	624	HOSE,FUEL FEED,3/8"	FT	16
*	694-EC	3/8BRB X 1/4MIP BRS M ADP	EA	2
HULL INT LABELS				
*	13236	PORT ENGINE LABEL	EA	1
*	13237	STARBOARD ENGINE LABEL	EA	1
*	3885-A	BATT INSTALLATION/COMPL LABEL	EA	2
*	NOT SHOWN			