

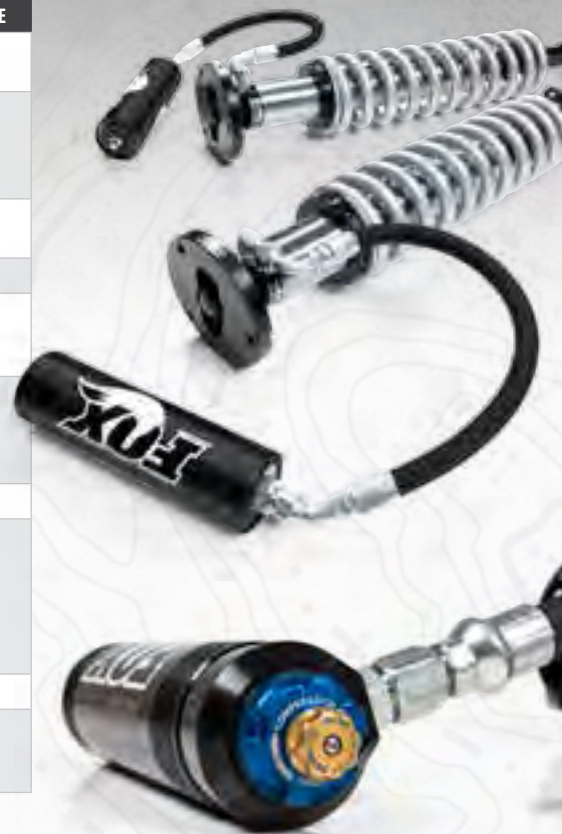
2.5 COILOVER SHOCKS & 2.5 DSC COILOVER SHOCKS



| APPLICATION | PART NUMBER | LIFT HEIGHT | REQ'D BRACKET | NOTE |
|---|----------------|-------------|---------------|------|
| 15-16 Chevy Colorado/GMC Canyon | 88302136 | 6" | N/A | 1,2 |
| | 88306136 (DSC) | 6" | N/A | 1,2 |
| 07-17 Chevy/GMC 1500 17-14 Tahoe, Yukon, Suburban, Avalanche 1500 | 88302135 | 4" | N/A | 1,2 |
| | 88306135 (DSC) | 4" | N/A | 1,2 |
| | 88302059 | 6" | N/A | 1,2 |
| | (DSC) 88306059 | 6" | N/A | 1,2 |
| 11-16 Chevy/GMC 2500/3500 | 88406128 (DSC) | 2.5" | N/A | 1,2 |
| | 88406155 (DSC) | 6.5" | N/A | 1,2 |
| 06-16 Dodge 1500 | 88302073 | 4-6" | N/A | 1,2 |
| 03-13 Dodge 2500/ 03-12 Dodge 3500 - Diesel | 88402109 | 3" | 122810 | 1,2 |
| | 88402096 | 6" | 122810 | 1,2 |
| | 88402097 | 8" | 122810 | 1,2 |
| 14-16 Ford F150 | 88302134 | 4" | N/A | 1,2 |
| | 88306134 (DSC) | 4" | N/A | 1,2 |
| | 88302114 | 6" | N/A | 1,2 |
| | 88306114 (DSC) | 6" | N/A | 1,2 |
| 09-13 Ford F150 | 88302063 | 6" | N/A | 1,2 |
| 11-16 Ford F250/F350 | 88402148 | 2.5" | 123212 | 1,2 |
| | 88402149 | 4" | 123212 | 1,2 |
| | 88402127 | 6" | 123612 | 1,2 |
| | 88406127 (DSC) | 6" | 123612 | 1,2 |
| | 88402143 | 8" | 123612 | 1,2 |
| 88406143 (DSC) | 8" | 123612 | 1,2 | |
| 05-16 Toyota Tacoma | 88302048 | 6" | N/A | 1,2 |
| 07-16 Toyota Tundra | 88302124 | 4.5" | N/A | 1,2 |
| | 88306124 (DSC) | 4.5" | N/A | 1,2 |
| | 88302057 | 7" | 128700 | 1,2 |

Notes

1. Designed to work with BDS Suspension lifts
2. Fully Adjustable Coilover Assembly



2.5 DSC COILOVER SHOCKS

Dual Speed Compression (DSC) technology improves the FOX coilover performance with easy adjustability to match your terrain. Same benefits of FOX 2.5 coilovers now with DSC for 12-points of high speed compression adjustment and 10-points of low speed adjustment to dial in the ride.



SPANNER WRENCH

The spanner wrench is a pin-style design that is precision machined to fit in the Fox 2.5 Coilover adjustment collar holes. This precise fit provides the best grip and reduces the chance of damage to the tool, adjustment collar and your knuckles. The tool was designed to accept any standard 1/2" drive ratchet (sold separately) for ease of use.

#BDS129600.....53BK31

FOX LIMITED WARRANTY FOX Factory, Inc., a California corporation having offices at 130 Hangar Way, Watsonville, CA 95076 ("FOX"), makes the following LIMITED WARRANTY with respect to its suspension products: LIMITED ONE (1) YEAR WARRANTY ON SUSPENSION PRODUCTS Subject to the limitations, terms and conditions hereof, FOX warrants, to the original retail owner of each new FOX suspension product, that the FOX suspension product, when new, is free from defects in materials and workmanship. Unless otherwise required by law, this warranty expires one (1) year from the date of the original FOX suspension product retail purchase from an authorized FOX dealer or from a FOX authorized Original Equipment Manufacturer where FOX suspension is included as original equipment on a purchased vehicle. If law requires a warranty duration of greater than one (1) year, then, subject to the other provisions hereof, this warranty will expire at the end of the minimum warranty period required by such law.

TERMS OF WARRANTY

This warranty is conditioned on the FOX suspension product being operated under normal conditions and properly maintained as specified by FOX. This warranty is only applicable to FOX suspensions purchased new from an authorized FOX source and is made only to the original retail owner of the new FOX suspension product and is not transferable to subsequent owners.

This warranty is void if the FOX suspension product is subjected to abuse, neglect, improper or unauthorized repair, improper or unauthorized service or maintenance, alteration, modification, accident or other abnormal, excessive, or improper use.

Should it be determined by FOX in its sole and final discretion, that a FOX suspension product is covered by this warranty, it will be repaired or replaced, by a comparable model, at FOX's sole option, which will be conclusive and binding. THIS IS THE EXCLUSIVE REMEDY UNDER THIS WARRANTY.

ANY AND ALL OTHER REMEDIES AND DAMAGES THAT MAY OTHERWISE BE APPLICABLE ARE EXCLUDED, INCLUDING, BUT NOT LIMITED TO, INCIDENTAL OR CONSEQUENTIAL DAMAGES OR PUNITIVE DAMAGES.

This limited warranty does not apply to normal wear and tear, malfunctions or failures that result from abuse, improper assembly, neglect, alteration, improper maintenance, crash, misuse or collision. This limited warranty gives the consumer specific legal rights. The consumer may also have other legal rights which vary from state to state or country to country. Some states and countries do not allow the exclusion or limitation of incidental or consequential damages or warranties, and if dictated by law the above limitations or exclusions may not apply to you. If it is determined by a court of competent jurisdiction that a certain provision of this limited warranty does not apply, such determination shall not affect any other provision of this limited warranty and all other provisions shall remain in full effect.

THIS IS THE ONLY WARRANTY MADE BY FOX ON ITS SUSPENSION PRODUCTS AND COMPONENTS, AND THERE ARE NO WARRANTIES WHICH EXTEND BEYOND THE DESCRIPTION HEREIN. ANY WARRANTIES THAT MAY OTHERWISE BE IMPLIED BY LAW INCLUDING, BUT NOT LIMITED TO, ANY IMPLIED WARRANTY OF MERCHANTABILITY OR FITNESS FOR A PARTICULAR PURPOSE ARE EXCLUDED.



2.0 PERFORMANCE SERIES SHOCK

DIRECT REPLACEMENT HIGH-PERFORMANCE 2" SHOCK ENGINEERED SPECIFICALLY FOR YOUR BDS SUSPENSION SYSTEM

APPLICATION SPECIFIC VALVING

- Fox and BDS joined forces to custom valve each application to work perfectly with each BDS Suspension system. The basic shock design is based on Fox Racing Shox race products, but re-designed to turn your BDS equipped truck or Jeep into an offroad machine.

HEAT-REDUCING DESIGN

- Cold-forged, metal impacted 6061 T6 aluminum shock body dissipates heat three times faster than a conventional steel body shock. The 2.0 Performance Series shock runs as cool as a 2.5 diameter shock on the same application.
- FOX Racing Shox formulated race shock oil developed for ultimate performance at variable temperatures.

TOUGH FINISH

- CNC machined aluminum components are Type II hard anodized to a scratch- and fade-free black finish.
- Heavy-duty 5/8" chrome shafts are induction case hardened to over 55 Rockwell C, virtually eliminating scratches caused by roost and debris.

FADE-FREE PERFORMANCE

- The Internal Floating Piston (IFP) design separates shock oil from the high pressure nitrogen charged gas chamber, eliminating oil aeration and cavitation, while providing a predictable ride — capable of handling the roughest conditions with fade-free performance.

CHEVROLET/GMC 4WD

| MODEL | YEAR | LIFT | FRONT SHOCK | REAR SHOCK | |
|---|-------|-------|-------------|------------|----------|
| Colorado/Canyon | 15-16 | 5.5" | n/a | 98224758 | |
| Truck K1500/C1500 | 14-17 | 0-2" | n/a | 98224719 | |
| | | 4" | n/a | 98224759 | |
| | | 6" | n/a | 98224759 | |
| Truck K1500/C1500 | 07-13 | 0" | n/a | 98224719 | |
| | | 4" | n/a | 98224758 | |
| | | 6" | n/a | 98224759 | |
| Truck K1500 | 99-06 | 4.5" | 98224602 | 98224758 | |
| | | 6.5" | 98224602 | 98224759 | |
| | | 88-98 | 6" | 98224620 | 98224662 |
| Truck K2500 HD & Non-HD | 11-16 | 2.5" | n/a | 98224758 | |
| | | 4.5" | 98224613 | 98224758 | |
| | | 6.5" | 98224613 | 98224769 | |
| | 01-10 | 4.5" | 98224605 | 98224759 | |
| | | 7" | 98224606 | 98224761 | |
| | | 7" | 98224606 | 98224761 | |
| Truck C2500 HD (2WD) | 01-10 | 7" | 98224606 | 98224761 | |
| Trailblazer/Envoy (2WD/4WD) | 02-09 | 2" | n/a | 98224619 | |
| Truck K10, 20, 30 | 73-87 | 2.5" | 98224620 | 98224629 | |
| | | 4" | 98224620 | 98224639 | |
| | | 6-8" | 98224650 | 98224639 | |
| | 69-72 | 4" | 98224620 | 98224660 | |
| | | 0-2" | n/a | 98224719 | |
| | | 4" | n/a | 98224719 | |
| Tahoe, Yukon, Suburban, Avalanche, 1500 | 07-14 | 6" | n/a | 98224759 | |
| | | 4.5" | 98224602 | 98224719 | |
| | | 6.5" | 98224602 | 98224759 | |
| | 00-06 | 6" | 98224620 | 98224662 | |
| | | 01-06 | 4.5" | 98224605 | 98224759 |
| | | 7" | 98224606 | 98224761 | |
| Suburban, Avalanche 2500 | 01-06 | 4.5" | 98224605 | 98224759 | |
| Blazer, Jimmy K5, Suburban 10, 20 | 73-91 | 2.5" | 98224620 | 98224629 | |
| | | 4" | 98224620 | 98224639 | |
| | | 6-8" | 98224650 | 98224639 | |
| | | 6-8" | 98224650 | 98224639 | |

Notes: 1. With BDS Suspension system

CHEVROLET/GMC 4WD WITH OE FRONT DUAL SHOCKS

| MODEL | YEAR | LIFT | FRONT SHOCK | FRONT AUXILIARY | REAR SHOCK |
|-----------------------------------|-------|------|-------------|-----------------|------------|
| Truck K10, 20, 30 | 81-87 | 2.5" | 98224620 | 98224620 | 98224629 |
| | | 4" | 98224620 | 98224650 | 98224639 |
| | | 6" | 98224650 | 98224650 | 98224639 |
| | | 8" | 98224650 | 98224660 | 98224639 |
| Blazer, Jimmy K5, Suburban 10, 20 | 81-91 | 2.5" | 98224620 | 98224620 | 98224629 |
| | | 4" | 98224620 | 98224650 | 98224639 |
| | | 6" | 98224650 | 98224650 | 98224639 |
| | | 8" | 98224650 | 98224660 | 98224639 |



CHEVROLET/GMC
DODGE
FORD
JEEP
SUZUKI
TOYOTA
PUSH-LOCK
SHOCKS/STEERING STABILIZERS
ACCESSORIES
APPAREL & PROMOTIONAL
PRODUCT SPECS
VEHICLE SPECS



DODGE 4WD

| MODEL | YEAR | LIFT | FRONT SHOCK | REAR SHOCK |
|-------------------------------|-------|-------------|-------------|------------------------------|
| Ram Truck 1/2-Ton | 09-16 | 4" | n/a | 98224758 - 98224712 Air Ride |
| | | 6" | n/a | 98224758 |
| | | 0" | n/a | 98224719 |
| | 06-08 | 4" | n/a | 98224758 |
| | | 6" | n/a | 98224769 |
| | | 2-3" | 98224700 | 98224759 |
| Ram Truck 1/2-Ton - Mega Cab | 06-08 | 6" | 98224750 | 98224761 |
| Ram Truck 1/2-Ton | 94-01 | 0-2" | 98224710 | 98224719 |
| | | 3" | 98224700 | 98224759 |
| | | 5" | 98224750 | 98224761 |
| Ram Truck 3/4-Ton | 14-16 | 2" | 98224710 | 98224705 |
| | | 3"/4" Gas | 98224700 | 98224705 |
| | | 4"/5.5" Gas | 98224752 | 98224756 |
| | | 6" | 98224752 | 98224756 - 98224753 Air Ride |
| | | 8" | 98224754 | 98224763 |
| Ram Truck 3/4-Ton | 03-13 | 2-3" | 98224700 | 98224759 |
| | | 6" | 98224750 | 98224761 |
| | | 8" | 98224751 | 98224761 |
| Ram Truck 1-Ton | 13-16 | 2" | 98224710 | 98224759 |
| | | 3"/4" Gas | 98224700 | 98224759 |
| | | 4" | 98224752 | 98224759 |
| | | 6"/5.5" Gas | 98224752 | 98224761 |
| Ram Truck 1-Ton | 03-12 | 8" | 98224754 | 98224761 |
| | | 2-3" | 98224700 | 98224759 |
| | | 6" | 98224750 | 98224761 |
| Ram Truck 3/4-Ton Power Wagon | 05-13 | 8" | 98224751 | 98224761 |
| Ram Truck 3/4-Ton | 94-02 | 4" | 98224710 | 98224719 |
| Ram Truck 3/4-Ton-8,800 GVW | 94-02 | 0-2" | 98224700 | 98224719 |
| Ram Truck 3/4-Ton | 94-02 | 4.5" | 98224750 | 98224761 |
| "W" Truck 1/2-Ton, 3/4-Ton | 69-93 | 5" | 98224650 | 98224760 |

FORD 4WD

| MODEL | YEAR | LIFT | FRONT SHOCK | REAR SHOCK |
|-----------------------|-------|------|-------------|------------|
| Expedition | 98-02 | 6" | 98224804 | 98224628 |
| F150 | 04-16 | 0" | n/a | 98224651 |
| | | 4" | n/a | 98224828 |
| | 97-03 | 6" | n/a | 98224760 |
| | | 6" | 98224804 | 98224860 |
| F250, F350 Super Duty | 2017 | 1-2" | 98224710 | 98224717 |
| | | 4" | 98224700 | 98224718 |
| | | 0-2" | 98224710 | 98224660 |
| | 05-16 | 2.5" | 98224710 | 98224760 |
| | | 4" | 98224700 | 98224760 |
| | | 6" | 98224750 | 98224760 |
| | | 8" | 98224751 | 98224765 |
| | | 2.5" | 98224650 | 98224660 |
| | | 4" | 98224650 | 98224760 |
| | 99-04 | 6" | 98224660 | 98224760 |
| | | 8" | 98224660 | 98224765 |
| | | 4" | 98224650 | 98224660 |
| F350 | 80-97 | 4" | 98224650 | 98224660 |
| Excursion | 00-05 | 4" | 98224650 | 98224662 |
| | | 6" | 98224650 | 98224762 |
| | | 8" | 98224660 | 98224762 |
| | | 10" | 98224660 | 98224766 |

JEEP 4WD

| MODEL | YEAR | LIFT | FRONT SHOCK | REAR SHOCK |
|---------------------|-------|-----------|------------------------|------------|
| CJ5, CJ7, Scrambler | 82-86 | 2.5" | 98224900 | 98224950 |
| | | 4" | 98224920 | 98224920 |
| CJ5, CJ6, M38A1 | 76-81 | 4" | 98224900 | 98224920 |
| | | 2.5" | 98224900 | 98224900 |
| Wrangler YJ | 87-95 | 3.5"-4.5" | 98224860 | 98224950 |
| | | 5-6" | 98224660* | 98224920 |
| Wrangler TJ | 97-06 | 2" | 98224979 | 98224972 |
| | | 3" | 98224965 | 98224980 |
| | | 4.5" | 98224967 | 98224976 |
| | | 6.5" | 98224962 | 98224974 |
| Wrangler JK | 07-17 | 2-3" | 98224921 | 98224951 |
| | | 4"-4.5" | 98224921 - 98224922 LA | 98224959 |
| | | 5.5" | 98224922 | 98224958 |
| | | 6.5" | 98224952 | 98224958 |
| | | 0-2" | 98224979 | 98224972 |
| Cherokee XJ | 84-01 | 3" | 98224965 | 98224980 |
| | | 4.5" | 98224965 | 98224974 |
| | | 6.5" | 98224961 | 98224920 |
| | | 8.5" | 98224962 | 98224974 |
| | | 3" | 98224965 | 98224920 |
| Comanche MJ | 86-92 | 0-1" | 98224979 | 98224900 |
| Grand Cherokee ZJ | 93-98 | 2" | 98224979 | 98224950 |
| | | 3" | 98224965 | 98224950 |
| | | 4.5" | 98224965 | 98224920 |
| | | 4" | 98224978 | 98224971 |

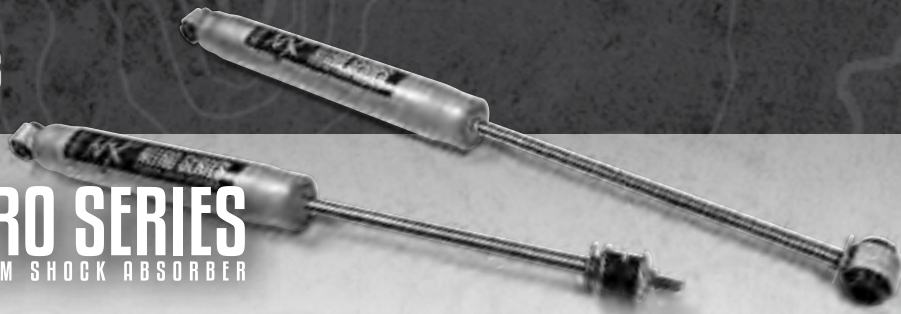
*Stem eliminator kit #124015 required for installation

TOYOTA 4WD

| MODEL | YEAR | LIFT | FRONT SHOCK | REAR SHOCK |
|---------------|-------|---------|-------------|------------|
| Toyota Tundra | 07-16 | 0"-3" | n/a | 98224700 |
| | | 4.5"-7" | n/a | 98224952 |
| Toyota Tacoma | 05-16 | 2-3" | n/a | 98224954 |
| | | 4" | n/a | 98224954 |
| | | 6" | n/a | 98224953 |
| | | 6" | n/a | 98224953 |

NX² SERIES SHOCK ABSORBERS

NX² NITRO SERIES PREMIUM SHOCK ABSORBER



These NX² shocks give high-end performance at an affordable price. They use a pressurized nitrogen charged twin-tube design with 10-stage velocity sensitive valving for lightning fast dampening adaptive to whatever terrain you find yourself traversing on or off-road. The 2" bodied shocks use a large 1-3/8" floun banded piston, self lubricating seals and a 14mm hardened chrome shaft to help resist rock chips and corrosion. The ends are dual welded for increased strength. Polyurethane bushings and metal sleeves are included to make swapping over your shocks a breeze. These shocks are offered in various stem and eyelet bushing configurations for custom applications and available to work with all current BDS lift kits. The exterior of the shocks are finished in a durable metallic silver paint with NX² branded decals. The NX² shocks will accept standard shock boots, which are available separately. Upgrade your vehicle's shocks with the NX² Nitro Series from BDS Suspension.

CHEVROLET/GMC 4WD

| MODEL | YEAR | LIFT | FRONT SHOCK | REAR SHOCK | NOTES |
|---|-------|------|-------------|--------------------------------|-------|
| Colorado/Canyon | 15-16 | 5.5" | n/a | 85758 | |
| Truck K1500/C1500 | 07-17 | 0" | n/a | 85719 | |
| Truck K1500/C1500 | 07-17 | 4" | n/a | 85758 (07-13) 85759 (14-17) | |
| Truck K1500/C1500 | 07-17 | 6" | n/a | 85759 | |
| Truck K1500 | 99-06 | 0" | 85612 | 85719 | |
| Truck K1500 | 99-06 | 4.5" | 85602 | 85758 | |
| Truck K1500 (Non HD) | 99-06 | 6" | 85602 | 85759 | |
| Truck C1500 (2WD-Non HD) | 99-06 | 6" | 85604 | 85759 | |
| Truck K2500 HD | 11-16 | 4.5" | 85613 | 85758 | |
| Truck K2500 HD | 11-16 | 6.5" | 85613 | 85769 | |
| Truck K2500 HD & Non-HD | 01-10 | 7" | 85606 | 85761 | |
| Truck K2500 HD & Non-HD | 01-10 | 4.5" | 85605 | 85759 | |
| Truck C2500 HD (2WD) | 01-10 | 7" | 85606 | 85761 | |
| Hummer H2 | 03-08 | 6" | 85605 | 85761 | |
| Truck K1500-3500 | 88-98 | 0-3" | 85601 | 85608 | 2 |
| Truck K1500 6 lug | 88-98 | 6" | 85600 | 85609 | |
| Truck K10, 20, 30 | 73-87 | 2.5" | 85620 | 85629 | |
| Truck K10, 20, 30 | 73-87 | 4" | 85620 | 85639 | |
| Truck K10, 20, 30 | 73-87 | 6-8" | 85650 | 85639 | |
| Truck K10, 20, 30 | 69-72 | 4" | 85620 | 85660 | |
| Tahoe, Yukon, Suburban, Avalanche, 1500 | 07-14 | 0-4" | n/a | 85719 | |
| Tahoe, Yukon, Suburban, Avalanche, 1500 | 07-14 | 6" | n/a | 85759 | |
| Tahoe, Yukon, Suburban, Avalanche, 1500 | 00-06 | 4.5" | 85602 | 85719 | |
| Tahoe, Yukon, Suburban, Avalanche, 1500 | 00-06 | 6.5" | 85602 | 85759 | |
| Suburban, Avalanche 2500 | 01-06 | 4.5" | 85605 | 85759 | |
| Suburban, Avalanche 2500 | 01-06 | 7" | 85606 | 85761 | |
| Tahoe, Yukon, Suburban 1500, 2500 6 lug | 92-98 | 0-3" | 85601 | 85608 | |
| Tahoe, Yukon, Suburban 1500, 2500 6 lug | 92-98 | 6" | 85600 | 85609 | |
| Blazer, Jimmy KS, Suburban 10, 20 | 73-91 | 2.5" | 85620 | 85629 | |
| Blazer, Jimmy KS, Suburban 10, 20 | 73-91 | 4" | 85620 | 85639 | |
| Blazer, Jimmy KS, Suburban 10, 20 | 73-91 | 6-8" | 85650 | 85639 | |
| Trailblazer | 02-09 | 2" | n/a | 85619 | |
| S-Series Blazer, Truck, ZR2 | 83-05 | 0-3" | 85603 | 85608 | |
| S-Series Blazer, Truck, ZR2 | 83-05 | 5" | 85610 | 85608 | 1 |

Notes

1. With BDS Suspension system

2. These applications are for newer body style K3500 with torsion bar front suspension.

CHEVROLET/GMC WITH OE FRONT DUAL SHOCKS 4WD

| MODEL | YEAR | LIFT | FRONT SHOCK | FRONT AUXILIARY | REAR SHOCK |
|-----------------------------------|-------|------|-------------|-----------------|------------|
| Truck K10, 20, 30 | 81-87 | 2.5" | 85620 | 85620 | 85629 |
| Truck K10, 20, 30 | 81-87 | 4" | 85620 | 85650 | 85639 |
| Truck K10, 20, 30 | 81-87 | 6" | 85650 | 85650 | 85639 |
| Truck K10, 20, 30 | 81-87 | 8" | 85650 | 85660 | 85639 |
| Blazer, Jimmy KS, Suburban 10, 20 | 81-91 | 2.5" | 85620 | 85620 | 85629 |
| Blazer, Jimmy KS, Suburban 10, 20 | 81-91 | 4" | 85620 | 85650 | 85639 |
| Blazer, Jimmy KS, Suburban 10, 20 | 81-91 | 6" | 85650 | 85650 | 85639 |
| Blazer, Jimmy KS, Suburban 10, 20 | 81-91 | 8" | 85650 | 85660 | 85639 |

Note: The front auxiliary is the inner long shock.

CHEVROLET/GMC
DODGE
FORD
JEEP
SUZUKI
TOYOTA
PUSH-LOCK
SHOCKS/STEERING STABILIZERS
ACCESSORIES
APPAREL & PROMOTIONAL
PRODUCT SPECS
VEHICLE SPECS

DODGE 4WD

| MODEL | YEAR | LIFT | FRONT SHOCK | REAR SHOCK |
|-------------------------------|-------------------------|-------------|---------------------|------------------------|
| Ram Truck 1/2 Ton | 09-16 | 4" | n/a | 85758 - 85719 Air Ride |
| Ram Truck 1/2 Ton | 09-16 | 6" | n/a | 85759 |
| Ram Truck 1/2 Ton | 06-08 | 0" | n/a | 85719 |
| Ram Truck 1/2 Ton | 06-08 | 4" | n/a | 85758 |
| Ram Truck 1/2 Ton | 06-08 | 6" | n/a | 85769 |
| Ram Truck 1/2 Ton - Mega Cab | 06-08 | 2-3" | 85700 | 85759 |
| Ram Truck 1/2 Ton - Mega Cab | 06-08 | 6" | 85750 | 85761 |
| Ram Truck 1/2 Ton | 02-05 | 4" | 85711 | 85758 |
| Ram Truck 1/2 Ton | 02-05 | 6" | 85711 | 85769 |
| Ram Truck 1/2 Ton | 94-01 | 0-2" | 85710 | 85719 |
| Ram Truck 1/2 Ton | 94-01 | 3" | 85700 | 85759 |
| Ram Truck 1/2 Ton | 94-01 | 5" | 85750 | 85761 |
| Ram Truck 3/4 Ton | 03-13 2500 / 03-12 3500 | 2-3" | 85700 | 85759 |
| Ram Truck 3/4 Ton, 1 Ton | 03-13 2500 / 03-12 3500 | 6" | 85750 | 85761 |
| Ram Truck 3/4 Ton, 1 Ton | 03-13 2500 / 03-12 3500 | 8" | 85751 | 85761 |
| Ram Truck 3/4 Ton | 14-16 | 3" | 85700 | 85755 |
| Ram Truck 3/4 Ton | 14-16 | 4" | 85752 - 85700 (Gas) | 85757 |
| Ram Truck 3/4 Ton | 14-16 | 6"/5.5" Gas | 85752 | 85756 - 85757 Air Ride |
| Ram Truck 3/4 Ton | 14-16 | 8" | 85754 | 85763 |
| Ram Truck 1 Ton | 13-16 | 3"/4" Gas | 85700 | 85759 |
| Ram Truck 1 Ton | 13-16 | 4" | 85752 | 85759 |
| Ram Truck 1 Ton | 13-16 | 6"/5.5" Gas | 85752 | 85761 |
| Ram Truck 1 Ton | 13-16 | 8" | 85754 | 85761 |
| Ram Truck 3/4 Ton Power Wagon | 05-12 | 4" | 85751 | 85761 |
| Ram Truck 3/4 Ton | 94-02 | 0-3" | 85710 | 85719 |
| Ram Truck 3/4 Ton-8,800 GVW | 94-02 | 0-3" | 85700 | 85719 |
| Ram Truck 3/4 Ton | 94-02 | 4-5" | 85750 | 85761 |
| "W" Truck 1/2, 3/4 Ton | 69-93 | 5" | 85650 | 85760 |

FORD 4WD

| MODEL | YEAR | LIFT | FRONT SHOCK | REAR SHOCK |
|-----------------------|-------|------|---------------|------------|
| Ranger | 83-97 | 4" | 85800 | 85829 |
| Ranger | 83-97 | 6" | 85820 | 85829 |
| Bronco II | 82-91 | 4" | 85800 | 85650 |
| Bronco II | 82-91 | 6" | 85820 | 85829 |
| Expedition | 98-02 | 6" | 85804 | 85628 |
| F150 | 04-16 | 0" | n/a | 85651 |
| F150 | 04-16 | 4" | n/a | 85828 |
| F150 | 04-16 | 6" | n/a | 85760 |
| F150 | 97-03 | 6" | 85804 | 85860 |
| F150 - 4WD | 80-96 | 1-2" | 85810 | 85620 |
| F150 - 4WD | 80-96 | 4" | 85800 | 85660 |
| F150 - 4WD | 80-96 | 6" | 85820 | 85660 |
| F150 - 2WD | 80-96 | 1-2" | 85810 | 85620 |
| F150 - 2WD | 80-96 | 4" | 85800 | 85650 |
| F150 - 2WD | 80-96 | 6" | 85820 | 85650 |
| F150 | 77-79 | 4" | 85820 | 85850 |
| F150 | 77-79 | 6" | 85850 | 85860 |
| F150 | 73-76 | 4" | 85875 | 85850 |
| F150 | 73-76 | 6" | 85877 | 85860 |
| Bronco | 80-96 | 1-2" | 85810 | 85620 |
| Bronco | 80-96 | 4" | 85800 | 85650 |
| Bronco | 80-96 | 6" | 85820 | 85650 |
| Bronco | 78-79 | 4" | 85850/85820** | 85650 |
| Bronco | 78-79 | 6" | 85860/85850** | 85650 |
| F250, F350 Super Duty | 2017 | 0-2" | 85710 | 85717 |
| F250, F350 Super Duty | 2017 | 4" | 85700 | 85718 |
| F250, F350 Super Duty | 05-16 | 0-2" | 85710 | 85660 |
| F250, F350 Super Duty | 05-16 | 4" | 85700 | 85760 |
| F250, F350 Super Duty | 05-16 | 6" | 85750 | 85760 |
| F250, F350 Super Duty | 05-16 | 8" | 85751 | 85765 |
| F250, F350 Super Duty | 99-04 | 0-2" | 85620 | 85660 |
| F250, F350 Super Duty | 99-04 | 2.5" | 85650 | 85660 |
| F250, F350 Super Duty | 99-04 | 4" | 85650 | 85760 |
| F250, F350 Super Duty | 99-04 | 6" | 85660 | 85760 |
| F250, F350 Super Duty | 99-04 | 8" | 85660 | 85765 |
| F250 | 87-96 | 4" | 85650 | 85660 |
| F250 | 80-86 | 4" | 85820 | 85660 |
| F350 | 80-97 | 4" | 85650 | 85660 |
| Excursion | 00-05 | 0-2" | 85620 | 85662 |
| Excursion | 00-05 | 4" | 85650 | 85662 |
| Excursion | 00-05 | 6" | 85650 | 85762 |
| Excursion | 00-05 | 8" | 85660 | 85762 |
| Excursion | 00-05 | 10" | 85660 | 85766 |

** Order one each front shock w/ staggered mounts.

FORD WITH OE FRONT DUAL SHOCKS 4WD

| MODEL | YEAR | LIFT | FRONT SHOCK | FRONT AUXILIARY | REAR SHOCK |
|--------------|-------|------|-------------|-----------------|------------|
| F150, Bronco | 80-96 | 1-2" | 85810 | 85800 | 85620 |
| F150 | 80-96 | 4" | 85800 | 85820 | 85660 |
| F150 | 80-96 | 6" | 85820 | 85819 | 85660 |
| F150 | 78-79 | 4" | 85820 | 85819 | 85850 |
| F150 | 78-79 | 6" | 85850 | 85860 | 85860 |
| Bronco | 80-96 | 4" | 85800 | 85820 | 85650 |
| Bronco | 80-96 | 6" | 85820 | 85819 | 85650 |

Note: Front auxiliary is the shock forward of the front axle.

JEEP 4WD

| MODEL | YEAR | LIFT | FRONT SHOCK | REAR SHOCK |
|------------------------|-------|----------|-------------|------------|
| CJ5, CJ6, M38A1 | 53-75 | 2.5" | 85900 | 85900 |
| CJ5, CJ7, Scrambler | 82-86 | 2.5" | 85900 | 85950 |
| CJ5, CJ7, Scrambler | 76-81 | 2.5" | 85910 | 85950 |
| CJ5, CJ7, Scrambler | 82-86 | 4" | 85920 | 85920 |
| CJ5, CJ7, Scrambler | 76-81 | 4" | 85900 | 85920 |
| J10, J20 Pioneer 4WD | 74-86 | 4" | 85875 | 85920 |
| Wagoneer 4WD Full Size | 74-89 | 4" | 85875 | 85920 |
| Wrangler YJ | 87-95 | 2" | 85945 | 85900 |
| Wrangler YJ | 87-95 | 3.5-4.5" | 85955 | 85950 |
| Wrangler YJ | 87-95 | 5-6" | 85660* | 85920 |
| Wrangler TJ | 97-06 | 0-1" | 85960 | 85969 |
| Wrangler TJ | 97-06 | 2" | 85979 | 85975 |
| Wrangler TJ | 97-06 | 3" | 85965 | 85980 |
| Wrangler TJ | 97-06 | 4.5" | 85967 | 85976 |
| Wrangler TJ | 97-06 | 6.5" | 85962 | 85974 |
| Wrangler JK | 07-17 | 0" | 85710 | 85980 |
| Wrangler JK | 07-17 | 2" | 85710 | 85951 |
| Wrangler JK | 07-17 | 3" | 85700 | 85951 |
| Wrangler JK | 07-17 | 4.5" | 85700 | 85959 |
| Wrangler JK | 07-17 | 5.5" | 85922 | 85958 |
| Wrangler JK | 07-17 | 6.5" | 85952 | 85958 |
| Cherokee XJ | 84-01 | 0-2" | 85979 | 85972 |
| Cherokee XJ | 84-01 | 3" | 85965 | 85980 |
| Cherokee XJ | 84-01 | 4.5" | 85965 | 85974 |
| Cherokee XJ | 84-01 | 6.5" | 85961* | 85920 |
| Cherokee XJ | 84-01 | 8.5" | 85962 | 85974 |
| Comanche MJ | 86-92 | 2" | 85960 | 85920 |
| Comanche MJ | 86-92 | 3" | 85965 | 85920 |
| Grand Cherokee ZJ | 93-98 | 0-1" | 85979 | 85900 |
| Grand Cherokee ZJ | 93-98 | 1.75-2" | 85979 | 85950 |
| Grand Cherokee ZJ | 93-98 | 3" | 85965 | 85950 |
| Grand Cherokee ZJ | 93-98 | 4.5" | 85965 | 85920 |
| Grand Cherokee ZJ | 93-98 | 6.5" | 85961* | 85829 |
| Grand Cherokee WJ | 99-04 | 2" | 85979 | 85970 |
| Grand Cherokee WJ | 99-04 | 4" | 85978 | 85971 |
| Grand Cherokee WK | 05-08 | 4" | n/a | 85977 |
| Liberty KJ | 02-07 | 2" | n/a | 85968 |

* Stem eliminator kit #124015 required for installation

** Bar pin eliminator kit #124025 required for installation

SUZUKI & TOYOTA 4WD

| MODEL | YEAR | LIFT | FRONT SHOCK | REAR SHOCK |
|-------------------------------|---------|--------|-------------|------------|
| Suzuki Sidekick / Geo Tracker | 88-98 | 4" | n/a | 85800 |
| Suzuki Samurai | 85-95 | 4" | 85800 | 85950 |
| Toyota T-100 | 93-98 | 4" | 85930 | 85939 |
| Toyota Truck | 86-95 | 4" | 85930 | 85939 |
| Toyota 4Runner | 10-16 | 3" | n/a | 85879 |
| Toyota 4Runner | 86-89 | 4" | 85930 | 85939 |
| Toyota FJ Cruiser | 07-14 | 3" | n/a | 85879 |
| Toyota Tundra | 07-16 | 0-3" | n/a | 85700 |
| Toyota Tundra | 07-15 | 4-7" | n/a | 85952 |
| Toyota Tacoma | 05-16 | 2.5-4" | n/a | 85954 |
| Toyota Tacoma | 05-16 | 6" | n/a | 85953 |
| Toyota Tacoma 4WD | 95.5-04 | 2.5" | n/a | 85878 |

Boots ordered separately



NX² SERIES SHOCK BOOTS

1-3/4" - 2"

| COLOR | RETAIL (1/PKG) | BULK |
|------------|----------------|--------|
| Red..... | 098270 | 098275 |
| Blue..... | 098500 | 098505 |
| Black..... | 098520 | 098525 |

2-3/8"

| COLOR | RETAIL (1/PKG) | BULK |
|-------------|----------------|--------|
| Red..... | 099270 | 099275 |
| Blue..... | 099500 | 099505 |
| Yellow..... | 099510 | 099515 |
| Black..... | 099520 | 099525 |

Note: All packaged boots include shock ties

NX² SERIES SHOCK ABSORBERS SPECIFICATIONS



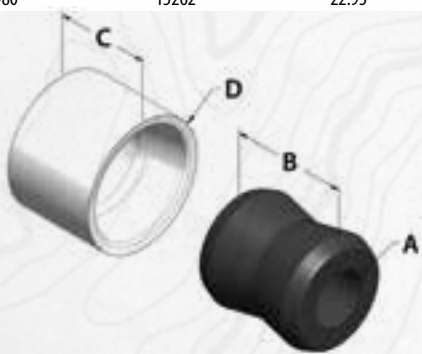
| PART # | RAW CYLINDER | EXTENDED LENGTH | COLLAPSED LENGTH | BODY DIAMETER | TOP MOUNT | BOTTOM MOUNT |
|--------|--------------|-----------------|------------------|---------------|-----------|-----------------|
| 85600 | 15263 | 24.84 | 14.82 | 2" | EB1-B | EB1-C |
| 85601 | 15244 | 19.50 | 13.17 | 2" | EB1-B | EB1-C |
| 85602 | 15240 | 21.50 | 13.75 | 2-3/8" | S1 | Special U Brkt. |
| 85603 | 15244 | 19.50 | 13.17 | 2" | EB1-B | EB1-B |
| 85604 | 15276 | 21.32 | 14.64 | 2" | S1 | EB1-A |
| 85605 | 15241 | 22.18 | 13.37 | 2" | S50 | EB1-C |
| 85606 | 15241 | 22.18 | 13.37 | 2" | S50 | EB1-D |
| 85608 | 15251 | 26.20 | 15.80 | 2-3/8" | BP8 | EB1-D |
| 85609 | 15550 | 30.95 | 18.17 | 2-3/8" | BP8 | EB1-A |
| 85610 | 15245 | 22.95 | 14.67 | 2" | EB1-B | EB1-B |
| 85612 | 15239 | 16.57 | 10.99 | 2-3/8" | S1 | Special U Brkt. |
| 85613 | 15241 | 21.80 | 13.40 | 2" | S50 | EB1 |
| 85619 | 15251 | 25.95 | 15.42 | 2" | EB1-B | EB1-B |
| 85620 | 15247 | 23.12 | 14.25 | 2-3/8" | EB1-A | EB1-A |
| 85628 | 15251 | 26.20 | 15.80 | 2-3/8" | EB1-A | EB1-A |
| 85629 | 15251 | 26.20 | 15.80 | 2-3/8" | EB1-A | EB1-D |
| 85639 | 15248 | 29.78 | 17.59 | 2-3/8" | EB1-A | EB1-D |
| 85650 | 15251 | 26.20 | 15.80 | 2-3/8" | EB1-A | EB1-A |
| 85651 | 15250 | 27.91 | 16.55 | 2-3/8" | EB1-A | EB1-A |
| 85660 | 15248 | 29.78 | 17.59 | 2-3/8" | EB1-A | EB1-A |
| 85662 | 15248 | 29.78 | 17.59 | 2-3/8" | BP8 | EB1-B |
| 85700 | 15345 | 25.22 | 15.22 | 2-3/8" | S50 | EB2 |
| 85710 | 15340 | 22.50 | 13.50 | 2-3/8" | S50 | EB2 |
| 85711 | 15276 | 21.32 | 14.64 | 2" | S1 | EB1-D |
| 85717 | 15248 | 29.80 | 17.60 | 2-3/8" | EB1 | EB1 |
| 85718 | 15249 | 33.00 | 19.25 | 2-3/8" | EB1 | EB1 |
| 85719 | 15251 | 26.20 | 15.80 | 2-3/8" | EB1-D | EB1-D |
| 85750 | 15371 | 27.40 | 16.22 | 2-3/8" | S50 | EB2 |
| 85751 | 15372 | 30.00 | 17.24 | 2-3/8" | S50 | EB2 |
| 85752 | 15373 | 27.45 | 16.17 | 2-3/8" | S50 | EB2 |
| 85755 | 15325 | 26.15 | 15.55 | 2-3/8" | S1 | EB1 |
| 85756 | 15250 | 27.91 | 16.55 | 2-3/8" | Special | EB1-D |
| 85758 | 15250 | 27.91 | 16.55 | 2-3/8" | EB1-D | EB1-D |
| 85759 | 15248 | 29.78 | 17.59 | 2-3/8" | EB1-D | EB1-D |
| 85760 | 15249 | 33.00 | 19.27 | 2-3/8" | EB1-B | EB1-B |
| 85761 | 15249 | 33.00 | 19.27 | 2-3/8" | EB1-D | EB1-D |
| 85762 | 15249 | 33.00 | 19.27 | 2-3/8" | BP8 | EB1-B |
| 85764 | 15263 | 19.30 | 12.20 | 2" | Special | EB1 |
| 85765 | 15252 | 35.50 | 20.40 | 2-3/8" | EB1-B | EB1-B |
| 85766 | 15252 | 35.50 | 20.42 | 2-3/8" | BP8 | EB1-B |
| 85769 | 15550 | 30.95 | 18.17 | 2-3/8" | EB1-D | EB1-D |
| 85800 | 15346 | 20.42 | 12.67 | 2-3/8" | S1 | EB1-A |
| 85804 | 15241 | 22.18 | 13.37 | 2" | S50 | EB1-D |
| 85810 | 15347 | 16.91 | 10.91 | 2-3/8" | S1 | EB1-A |
| 85819 | 15361 | 26.42 | 15.39 | 2" | S1 | EB1-C |
| 85820 | 15349 | 22.92 | 13.92 | 2-3/8" | S1 | EB1-A |
| 85829 | 15248 | 29.78 | 17.59 | 2-3/8" | EB1-A | EB1-A |
| 85850 | 15325 | 26.17 | 15.55 | 2-3/8" | S1 | EB1-A |
| 85860 | 15350 | 29.82 | 17.57 | 2-3/8" | S1 | EB1-A |
| 85875 | 15247 | 23.12 | 14.25 | 2-3/8" | EB1-A | EB1-A |
| 85877 | 15550 | 30.95 | 18.17 | 2-3/8" | EB1-A | EB1-A |
| 85878 | 15262 | 22.95 | 14.67 | 2" | EB1-C | EB1-C |
| 85879 | 15345 | 25.22 | 15.22 | 2-3/8" | S50 | EB2 |
| 85900 | 15243 | 21.70 | 13.42 | 2" | EB1-A | EB1-A |
| 85920 | 15266 | 25.95 | 15.42 | 2" | EB1-A | EB1-A |
| 85922 | 15371 | 27.40 | 16.22 | 2-3/8" | S50 | EB2 |
| 85930 | 15346 | 20.42 | 12.67 | 2-3/8" | S1 | EB1-A |
| 85939 | 15251 | 26.20 | 15.80 | 2-3/8" | EB1-C | EB1-C |

* Also available in 9500 Series

NX² SERIES SHOCK ABSORBERS SPECIFICATIONS, MOUNTING CODES

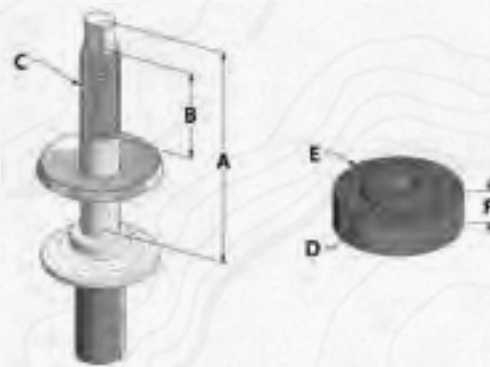
SHOCK ABSORBER SPECIFICATIONS

| PART # | RAW CYLINDER | EXTENDED LENGTH | COLLAPSED LENGTH | BODY DIAMETER | TOP MOUNT | BOTTOM MOUNT |
|--------|--------------|-----------------|------------------|---------------|-----------|--------------|
| 85945 | 15361 | 26.42 | 15.39 | 2" | S1 | EB1-B |
| 85950 | 15262 | 22.95 | 14.67 | 2" | EB1-A | EB1-B |
| 85951 | 15266 | 25.95 | 15.42 | 2" | BP18 | EB1-B |
| 85952 | 15371 | 27.40 | 16.20 | 2-3/8" | S50 | EB2 |
| 85953 | 15350 | 29.82 | 17.57 | 2-3/8" | S1 | EB1-A |
| 85955 | 15362 | 28.16 | 16.43 | 2" | S1 | EB1-B |
| 85958 | 15248 | 29.78 | 17.59 | 2-3/8" | BP18 | EB1-B |
| 85959 | 15250 | 28.00 | 16.50 | 2-3/8" | BP18 | EB1-A |
| 85960 | 15346 | 20.42 | 12.67 | 2-3/8" | S1 | BP7 |
| 85961 | 15251 | 26.20 | 15.80 | 2-3/8" | EB1-A | EB1-A |
| 85962 | 15350 | 29.82 | 17.57 | 2-3/8" | S1 | BP7 |
| 85965 | 15348 | 24.90 | 14.81 | 2-3/8" | S1 | BP7 |
| 85967 | 15325 | 26.17 | 15.55 | 2-3/8" | S1 | BP7 |
| 85968 | 15247 | 23.12 | 14.25 | 2-3/8" | EB1-B | EB1-B |
| 85969 | 15244 | 19.50 | 13.17 | 2" | BP18 | EB1-A |
| 85970 | 15262 | 22.95 | 14.67 | 2" | EB1-A | EB1-A |
| 85971 | 15251 | 26.20 | 15.80 | 2-3/8" | EB1-A | EB1-A |
| 85972 | 15243 | 21.70 | 13.42 | 2" | BP18 | EB1-A |
| 85974 | 15266 | 25.95 | 15.42 | 2" | BP18 | EB1-A |
| 85976 | 15247 | 23.12 | 14.25 | 2-3/8" | BP18 | EB1-A |
| 85977 | 15248 | 29.80 | 17.59 | 2-3/8" | EB1-C | EB1-C |
| 85978 | 15348 | 24.68 | 14.81 | 2-3/8" | S1 | EB1-A |
| 85979 | 15349 | 22.92 | 13.92 | 2-3/8" | S1 | BP7-A |
| 85980 | 15262 | 22.95 | 14.67 | 2" | BP18 | EB1-A |



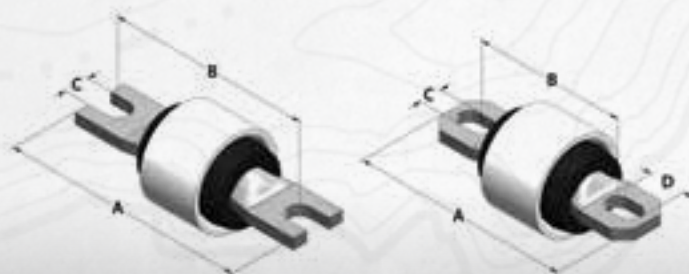
"EB" EYELET BUSHING MOUNTING DIMENSIONS

| Code | A | B | C | D (Dia) |
|-------|------|---------|--------|---------|
| EB1-A | 5/8" | 1-7/16" | 15/16" | 1-7/16" |
| EB1-B | 5/8" | 1-1/2" | 15/16" | 1-7/16" |
| EB1-C | 3/4" | 1-7/16" | 15/16" | 1-7/16" |
| EB1-D | 3/4" | 1-5/8" | 15/16" | 1-7/16" |
| EB1-E | 5/8" | 1-1/4" | 15/16" | 1-7/16" |
| EB2 | 3/4" | 1-5/8" | 1-1/4" | 1-3/4" |



"S" STEM BUSHING MOUNTING DIMENSIONS

| Code | A | B | C | D | E | F |
|------|--------|--------|---------|--------|--------|-------|
| S1 | 2-3/8" | 1-1/8" | 3/8"-24 | 3/4" | 1-1/4" | 1/2" |
| S50 | 3" | 1-1/4" | 1/2"-20 | 15/16" | 1-5/8" | 9/16" |

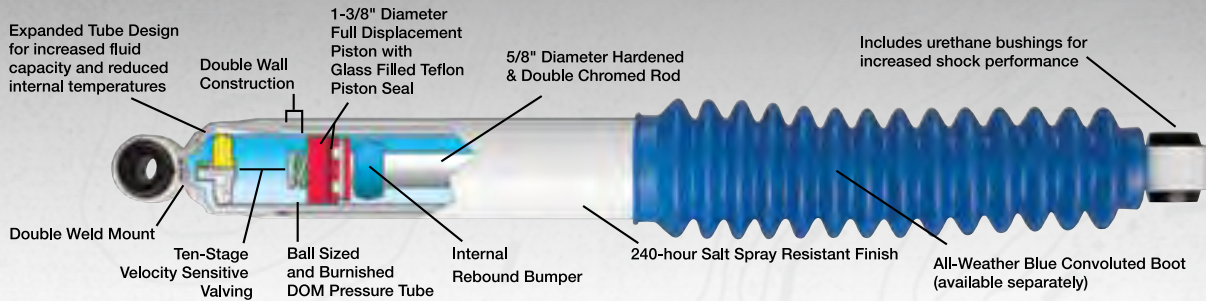


"BP" BAR PIN MOUNTING DIMENSIONS
EB1 WITH BUSHING AND BAR PIN

| Code | Style | A | B | C | D |
|------|--------|--------|--------|------|-------|
| BP7 | Closed | 3-1/4" | 2-1/2" | 3/8" | 7/16" |
| BP8 | Closed | 3-1/2" | 2-7/8" | 3/8" | 7/16" |
| BP18 | Open | 3-3/4" | 3-1/8" | 3/8" | - |

CHEVROLET/GMC
DODGE
FORD
JEEP
SUZUKI
TOYOTA
PUSH-LOK
SHOCKS/STEERING STABILIZERS
ACCESSORIES
APPAREL & PROMOTIONAL
PRODUCT SPECS
VEHICLE SPECS

5500 SERIES SHOCK ABSORBERS



Correct Application Valving Technology is based on extensive shock dyno and ride control research offering the most application specific part numbers available for on and off-road light trucks and SUV's.

THIS RESULTS IN:

- Increased stability for improved handling
- Longer front end and tire life
- Less nose dive on severe braking
- Less squat on hard acceleration
- Smoother ride—control without harshness

CHEVROLET/GMC 4WD

| MODEL | YEAR | LIFT | FRONT SHOCK | REAR SHOCK | NOTES |
|---|-------|------|-------------|------------|-------|
| Colorado/Canyon | 15-16 | 5.5" | n/a | 55758 | |
| Truck K1500/C1500 | 07-17 | 0" | n/a | 55719 | |
| Truck K1500/C1500 | 07-17 | 4" | n/a | 55758 | |
| Truck K1500/C1500 | 07-17 | 6" | n/a | 55759 | |
| Truck K1500 | 99-06 | 0" | 55612 | 55719 | |
| Truck K1500 | 99-06 | 4.5" | 55602 | 55758 | |
| Truck K1500 (Non HD) | 99-06 | 6" | 55602 | 55759 | |
| Truck C1500 (2WD-Non HD) | 99-06 | 6" | 55604 | 55759 | |
| Truck K2500 HD | 11-16 | 6.5" | 55613 | 55769 | |
| Truck K2500 HD & Non-HD | 01-10 | 7" | 55606 | 55761 | |
| Truck K2500 HD & Non-HD | 01-10 | 4.5" | 55605 | 55759 | |
| Truck C2500 HD (2WD) | 01-10 | 6" | 55605 | 55761 | |
| Hummer H2 | 03-08 | 6" | 55605 | 55761 | |
| Truck K1500-3500 | 88-98 | 0-3" | 55601 | 55608 | 2 |
| Truck K1500 6 lug | 88-98 | 6" | 55600 | 55609 | |
| Truck K10, 20, 30 | 73-87 | 2.5" | 55620 | 55629 | |
| Truck K10, 20, 30 | 73-87 | 4" | 55620 | 55639 | |
| Truck K10, 20, 30 | 73-87 | 6-8" | 55650 | 55639 | |
| Truck K10, 20, 30 | 69-72 | 4" | 55620 | 55660 | |
| Tahoe, Yukon, Suburban, Avalanche, 1500 | 07-13 | 0-3" | n/a | 55719 | |
| Tahoe, Yukon, Suburban, Avalanche, 1500 | 07-13 | 6" | n/a | 55759 | |
| Tahoe, Yukon, Suburban, Avalanche, 1500 | 00-06 | 4" | 55602 | 55758 | |
| Tahoe, Yukon, Suburban, Avalanche, 1500 | 00-06 | 6" | 55602 | 55759 | |
| Suburban, Avalanche 2500 | 01-06 | 7" | 55606 | 55761 | |
| Tahoe, Yukon, Suburban 1500, 2500 6 lug | 92-98 | 0-3" | 55601 | 55608 | |
| Tahoe, Yukon, Suburban 1500, 2500 6 lug | 92-98 | 6" | 55600 | 55609 | |
| Blazer, Jimmy K5, Suburban 10, 20 | 73-91 | 2.5" | 55620 | 55629 | |
| Blazer, Jimmy K5, Suburban 10, 20 | 73-91 | 4" | 55620 | 55639 | |
| Blazer, Jimmy K5, Suburban 10, 20 | 73-91 | 6-8" | 55650 | 55639 | |
| Trailblazer | 02-09 | 2" | n/a | 55619 | |
| S-Series Blazer, Truck, ZR2 | 83-05 | 0-3" | 55603 | 55608 | |
| S-Series Blazer, Truck, ZR2 | 83-05 | 5" | 55610 | 55608 | 1 |

Notes

1. With BDS Suspension system

2. These applications are for newer body style K3500 with torsion bar front suspension.

CHEVROLET/GMC WITH OE FRONT DUAL SHOCKS 4WD

| MODEL | YEAR | LIFT | FRONT SHOCK | FRONT AUXILIARY | REAR SHOCK |
|-----------------------------------|-------|------|-------------|-----------------|------------|
| Truck K10, 20, 30 | 81-87 | 2.5" | 55620 | 55620 | 55629 |
| Truck K10, 20, 30 | 81-87 | 4" | 55620 | 55650 | 55639 |
| Truck K10, 20, 30 | 81-87 | 6" | 55650 | 55650 | 55639 |
| Truck K10, 20, 30 | 81-87 | 8" | 55650 | 55660 | 55639 |
| Blazer, Jimmy K5, Suburban 10, 20 | 81-91 | 2.5" | 55620 | 55620 | 55629 |
| Blazer, Jimmy K5, Suburban 10, 20 | 81-91 | 4" | 55620 | 55650 | 55639 |
| Blazer, Jimmy K5, Suburban 10, 20 | 81-91 | 6" | 55650 | 55650 | 55639 |
| Blazer, Jimmy K5, Suburban 10, 20 | 81-91 | 8" | 55650 | 55660 | 55639 |

Note: The front auxiliary is the inner long shock.

DODGE 4WD

| MODEL | YEAR | LIFT | FRONT SHOCK | REAR SHOCK |
|-------------------------------|---------------------------|------|-------------|------------|
| Ram Truck 1/2 Ton | 09-16 | 4" | n/a | 55758 |
| Ram Truck 1/2 Ton | 09-16 | 6" | n/a | 55759 |
| Ram Truck 1/2 Ton | 06-08 | 0" | n/a | 55719 |
| Ram Truck 1/2 Ton | 06-08 | 4" | n/a | 55758 |
| Ram Truck 1/2 Ton | 06-08 | 6" | n/a | 55769 |
| Ram Truck 1/2 Ton - Mega Cab | 06-08 | 2-3" | 55700 | 55759 |
| Ram Truck 1/2 Ton - Mega Cab | 06-08 | 6" | 55750 | 55761 |
| Ram Truck 1/2 Ton | 02-05 | 6" | 55711 | 55769 |
| Ram Truck 1/2 Ton | 94-01 | 0-2" | 55710 | 55719 |
| Ram Truck 1/2 Ton | 94-01 | 3" | 55700 | 55759 |
| Ram Truck 1/2 Ton | 94-01 | 5" | 55750 | 55761 |
| Ram Truck 3/4 Ton | 03-13 (2500) 03-12 (3500) | 2-3" | 55700 | 55759 |
| Ram Truck 3/4 Ton, 1 Ton | 03-13 (2500) 03-12 (3500) | 6" | 55750 | 55761 |
| Ram Truck 3/4 Ton, 1 Ton | 03-13 (2500) 03-12 (3500) | 8" | 55751 | 55761 |
| Ram Truck 3/4 Ton | 14-16 | 0-2" | 55713 | 55705 |
| Ram Truck 3/4 Ton | 14-16 | 3" | 55700 | 55705 |
| Ram Truck 3/4 Ton | 14-16 | 4" | 55752 | 55757 |
| Ram Truck 3/4 Ton | 14-16 | 6" | 55752 | 55756 |
| Ram Truck 1 Ton | 13-16 | 0-2" | 55713 | 55759 |
| Ram Truck 1 Ton | 13-16 | 3" | 55700 | 55759 |
| Ram Truck 1 Ton | 13-16 | 4" | 55752 | 55759 |
| Ram Truck 1 Ton | 13-16 | 6" | 55752 | 55761 |
| Ram Truck 1 Ton | 13-16 | 8" | 55754 | 55761 |
| Ram Truck 3/4 Ton Power Wagon | 05-12 | 4" | 55751 | 55761 |
| Ram Truck 3/4 Ton | 94-02 | 0-2" | 55710 | 55719 |
| Ram Truck 3/4 Ton-8,800 GVW | 94-02 | 0-2" | 55700 | 55719 |
| Ram Truck 3/4 Ton | 94-02 | 4-5" | 55750 | 55761 |
| "W" Truck 1/2, 3/4 Ton | 69-93 | 5" | 55650 | 55760 |

FORD 4WD

| MODEL | YEAR | LIFT | FRONT SHOCK | REAR SHOCK |
|-----------------------|-------|------|---------------|------------|
| Ranger | 83-97 | 4" | 55800 | 55829 |
| Ranger | 83-97 | 6" | 55820 | 55829 |
| Bronco II | 82-91 | 4" | 55800 | 55650 |
| Bronco II | 82-91 | 6" | 55820 | 55829 |
| Expedition | 98-02 | 6" | 55804 | 55628 |
| F150 | 04-16 | 0" | n/a | 55651 |
| F150 | 04-16 | 4" | n/a | 55828 |
| F150 | 04-16 | 6" | n/a | 55760 |
| F150 | 97-03 | 6" | 55804 | 55860 |
| F150 - 4WD | 80-96 | 1-2" | 55810 | 55620 |
| F150 - 4WD | 80-96 | 4" | 55800 | 55660 |
| F150 - 4WD | 80-96 | 6" | 55820 | 55660 |
| F150 - 2WD | 80-96 | 1-2" | 55810 | 55620 |
| F150 - 2WD | 80-96 | 4" | 55800 | 55650 |
| F150 - 2WD | 80-96 | 6" | 55820 | 55650 |
| F150 | 77-79 | 4" | 55820 | 55850 |
| F150 | 77-79 | 6" | 55850 | 55860 |
| F150 | 73-76 | 4" | 55875 | 55850 |
| F150 | 73-76 | 6" | 55877 | 55860 |
| Bronco | 80-96 | 1-2" | 55810 | 55620 |
| Bronco | 80-96 | 4" | 55800 | 55650 |
| Bronco | 80-96 | 6" | 55820 | 55650 |
| Bronco | 78-79 | 4" | 55850/55820** | 55650 |
| Bronco | 78-79 | 6" | 55860/55850** | 55650 |
| F250, F350 Super Duty | 05-16 | 0-2" | 55710 | 55660 |
| F250, F350 Super Duty | 05-16 | 2.5" | 55713 | 55760 |
| F250, F350 Super Duty | 05-16 | 4" | 55700 | 55760 |
| F250, F350 Super Duty | 05-16 | 6" | 55750 | 55760 |
| F250, F350 Super Duty | 05-16 | 8" | 55751 | 55765 |
| F250, F350 Super Duty | 99-04 | 0-2" | 55620 | 55660 |
| F250, F350 Super Duty | 99-04 | 2.5" | 55650 | 55660 |
| F250, F350 Super Duty | 99-04 | 4" | 55650 | 55760 |
| F250, F350 Super Duty | 99-04 | 6" | 55660 | 55760 |
| F250, F350 Super Duty | 99-04 | 8" | 55660 | 55765 |
| F250 | 87-96 | 4" | 55650 | 55660 |
| F250 | 80-86 | 4" | 55820 | 55660 |
| F350 | 80-97 | 4" | 55650 | 55660 |
| Excursion | 00-05 | 0-2" | 55620 | 55662 |
| Excursion | 00-05 | 4" | 55650 | 55762 |
| Excursion | 00-05 | 6" | 55650 | 55762 |
| Excursion | 00-05 | 8" | 55660 | 55762 |
| Excursion | 00-05 | 10" | 55660 | 55766 |

** Order one each front shock w/ staggered mounts.

FORD WITH OE FRONT DUAL SHOCKS 4WD

| MODEL | YEAR | LIFT | FRONT SHOCK | FRONT AUXILIARY | REAR SHOCK |
|--------------|-------|------|-------------|-----------------|------------|
| F150, Bronco | 80-96 | 1-2" | 55810 | 55800 | 55620 |
| F150 | 80-96 | 4" | 55800 | 55820 | 55660 |
| F150 | 80-96 | 6" | 55820 | 55819 | 55660 |
| F150 | 78-79 | 4" | 55820 | 55819 | 55850 |
| F150 | 78-79 | 6" | 55850 | 55860 | 55860 |
| Bronco | 80-96 | 4" | 55800 | 55820 | 55650 |
| Bronco | 80-96 | 6" | 55820 | 55819 | 55650 |

Note: Front auxiliary is the shock forward of the front axle.

JEEP 4WD

| MODEL | YEAR | LIFT | FRONT SHOCK | REAR SHOCK |
|------------------------|-------|----------|-------------|------------|
| CJ5, CJ6, M38A1 | 53-75 | 2.5" | 55900 | 55900 |
| CJ5, CJ7, Scrambler | 82-86 | 2.5" | 55900 | 55950 |
| CJ5, CJ7, Scrambler | 76-81 | 2.5" | 55910 | 55950 |
| CJ5, CJ7, Scrambler | 82-86 | 4" | 55920 | 55920 |
| CJ5, CJ7, Scrambler | 76-81 | 4" | 55900 | 55920 |
| J10, J20 Pioneer 4WD | 74-86 | 4" | 55875 | 55920 |
| Wagoneer 4WD Full Size | 74-89 | 4" | 55875 | 55920 |
| Wrangler YJ | 87-95 | 2" | 55945 | 55900 |
| Wrangler YJ | 87-95 | 3.5-4.5" | 55955 | 55950 |
| Wrangler YJ | 87-95 | 5-6" | 55660* | 55920 |
| Wrangler TJ | 97-06 | 0-1" | 55960 | 55969 |
| Wrangler TJ | 97-06 | 2" | 55979 | 55975 |
| Wrangler TJ | 97-06 | 3" | 55965 | 55980 |
| Wrangler TJ | 97-06 | 4.5" | 55967 | 55976 |
| Wrangler TJ | 97-06 | 6.5" | 55962 | 55974 |
| Wrangler JK | 07-17 | 0" | 55710 | 55980 |
| Wrangler JK | 07-17 | 2" | 55710 | 55951 |
| Wrangler JK | 07-17 | 3" | 55700 | 55951 |
| Wrangler JK | 07-17 | 4.5" | 55700 | 55959 |
| Wrangler JK | 07-17 | 5.5" | 55922 | 55958 |
| Wrangler JK | 07-17 | 6.5" | 55952 | 55958 |
| Cherokee XJ | 84-01 | 0-2" | 55979 | 55972 |
| Cherokee XJ | 84-01 | 3" | 55965 | 55980 |
| Cherokee XJ | 84-01 | 4.5" | 55965 | 55974 |
| Cherokee XJ | 84-01 | 6.5" | 55961* | 55920 |
| Comanche MJ | 86-92 | 2" | 55960 | 55920 |
| Comanche MJ | 86-92 | 3" | 55965 | 55920 |
| Grand Cherokee ZJ | 93-98 | 0-1" | 55979 | 55900 |
| Grand Cherokee ZJ | 93-98 | 1.75-2" | 55979 | 55950 |
| Grand Cherokee ZJ | 93-98 | 3" | 55965 | 55950 |
| Grand Cherokee ZJ | 93-98 | 4.5" | 55965 | 55920 |
| Grand Cherokee ZJ | 93-98 | 6.5" | 55961* | 55829 |
| Grand Cherokee WJ | 99-04 | 2" | 55979 | 55970 |
| Grand Cherokee WJ | 99-04 | 4" | 55978 | 55971 |
| Grand Cherokee WK | 05-08 | 4" | n/a | 55977 |
| Liberty KJ | 02-07 | 2" | n/a | 55968 |

* Stem eliminator kit #124015 required for installation
 ** Bar pin eliminator kit #124025 required for installation

SUZUKI & TOYOTA 4WD

| MODEL | YEAR | LIFT | FRONT SHOCK | REAR SHOCK |
|-------------------------------|---------|------|-------------|------------|
| Suzuki Sidekick / Geo Tracker | 88-98 | 4" | n/a | 55800 |
| Suzuki Samurai | 85-95 | 4" | 55800 | 55950 |
| Toyota Tacoma 4WD | 95.5-04 | 2.5" | n/a | 55878 |
| Toyota T-100 | 93-98 | 4" | 55930 | 55939 |
| Toyota Truck | 86-95 | 4" | 55930 | 55939 |
| Toyota 4Runner | 86-89 | 4" | 55930 | 55939 |
| Toyota FJ Cruiser | 07-15 | 3" | n/a | 55879 |
| Toyota Tundra | 07-15 | 0" | n/a | 55700 |
| Toyota Tundra | 07-15 | 4" | n/a | 55952 |
| Toyota Tacoma | 05-15 | 3" | n/a | 55954 |
| Toyota Tacoma | 05-15 | 4" | n/a | 55953 |

Boots ordered separately



5500 SERIES SHOCK BOOTS

1-3/4" - 2"

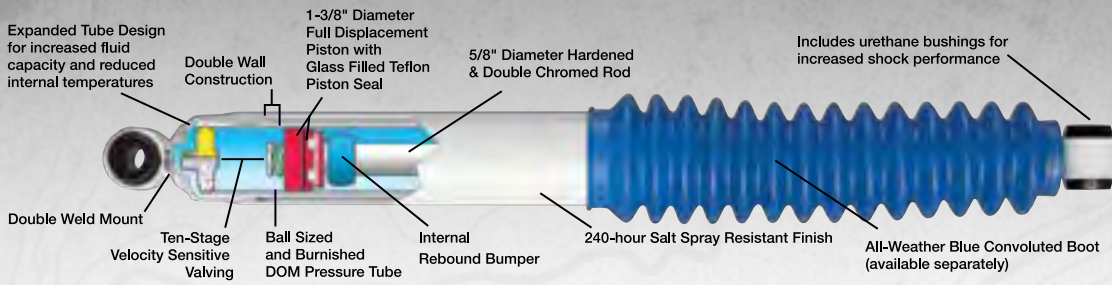
| COLOR | RETAIL (1/PKG) | BULK |
|-------------|----------------|--------|
| Red..... | 098270 | 098275 |
| Blue | 098500 | 098505 |
| Black | 098520 | 098525 |

2-3/8"

| COLOR | RETAIL (1/PKG) | BULK |
|--------------|----------------|--------|
| Red..... | 099270 | 099275 |
| Blue | 099500 | 099505 |
| Yellow | 099510 | 099515 |
| Black | 099520 | 099525 |

Note: All packaged boots include shock ties

5500 SERIES SHOCK ABSORBERS SPECIFICATIONS



| PART # | RAW CYLINDER | EXTENDED LENGTH | COLLAPSED LENGTH | BODY DIAMETER | TOP MOUNT | BOTTOM MOUNT |
|--------|--------------|-----------------|------------------|---------------|-----------|-----------------|
| 55600 | 5263 | 24.84 | 14.82 | 2" | EB1-B | EB1-C |
| 55601 | 5244 | 19.50 | 13.17 | 2" | EB1-B | EB1-C |
| 55602 | 5240 | 21.50 | 13.75 | 2-3/8" | S1 | Special U Brkt. |
| 55603 | 5244 | 19.50 | 13.17 | 2" | EB1-B | EB1-B |
| 55604 | 5276 | 21.32 | 14.64 | 2" | S1 | EB1-A |
| 55605 | 5241 | 22.18 | 13.37 | 2" | S50 | EB1-C |
| 55606 | 5241 | 22.18 | 13.37 | 2" | S50 | EB1-D |
| 55608 | 5251 | 26.20 | 15.80 | 2-3/8" | BP8 | EB1-D |
| 55609 | 5550 | 30.95 | 18.17 | 2-3/8" | BP8 | EB1-A |
| 55610 | 5245 | 22.95 | 14.67 | 2" | EB1-B | EB1-B |
| 55612 | 5239 | 16.57 | 10.99 | 2-3/8" | S1 | Special U Brkt. |
| 55613 | 5241 | 21.80 | 13.40 | 2" | S50 | EB1 |
| 55619 | 5251 | 25.95 | 15.42 | 2" | EB1-B | EB1-B |
| 55620 | 5247 | 23.12 | 14.25 | 2-3/8" | EB1-A | EB1-A |
| 55628 | 5251 | 26.20 | 15.80 | 2-3/8" | EB1-A | EB1-A |
| 55629 | 5251 | 26.20 | 15.80 | 2-3/8" | EB1-A | EB1-D |
| 55639 | 5248 | 29.78 | 17.59 | 2-3/8" | EB1-A | EB1-D |
| 55650 | 5251 | 26.20 | 15.80 | 2-3/8" | EB1-A | EB1-A |
| 55651 | 5250 | 27.91 | 16.55 | 2-3/8" | EB1-A | EB1-A |
| 55660 | 5248 | 29.78 | 17.59 | 2-3/8" | EB1-A | EB1-A |
| 55662 | 5248 | 29.78 | 17.59 | 2-3/8" | BP8 | EB1-B |
| 55700 | 5345 | 25.22 | 15.22 | 2-3/8" | S50 | EB2 |
| 55710 | 5340 | 22.50 | 13.50 | 2-3/8" | S50 | EB2 |
| 55711 | 5276 | 21.32 | 14.64 | 2" | S1 | EB1-D |
| 55713 | 5342 | 23.5 | 14.20 | 2-3/8" | S50 | EB2 |
| 55719 | 5251 | 26.20 | 15.80 | 2-3/8" | EB1-D | EB1-D |
| 55750 | 5371 | 27.40 | 16.22 | 2-3/8" | S50 | EB2 |
| 55751 | 5372 | 30.00 | 17.24 | 2-3/8" | S50 | EB2 |
| 55752 | 5373 | 27.45 | 16.17 | 2-3/8" | S50 | EB2 |
| 55755 | 5325 | 26.15 | 15.55 | 2-3/8" | S1 | EB1 |
| 55756 | 5250 | 27.91 | 16.55 | 2-3/8" | Special | EB1-D |
| 55758 | 5250 | 27.91 | 16.55 | 2-3/8" | EB1-D | EB1-D |
| 55759 | 5248 | 29.78 | 17.59 | 2-3/8" | EB1-D | EB1-D |
| 55760 | 5249 | 33.00 | 19.27 | 2-3/8" | EB1-B | EB1-B |
| 55761 | 5249 | 33.00 | 19.27 | 2-3/8" | EB1-D | EB1-D |
| 55762 | 5249 | 33.00 | 19.27 | 2-3/8" | BP8 | EB1-B |
| 55765 | 5252 | 35.50 | 20.40 | 2-3/8" | EB1-B | EB1-B |
| 55766 | 5252 | 35.50 | 20.42 | 2-3/8" | BP8 | EB1-B |
| 55769 | 5550 | 30.95 | 18.17 | 2-3/8" | EB1-D | EB1-D |
| 55800 | 5346 | 20.42 | 12.67 | 2-3/8" | S1 | EB1-A |
| 55804 | 5241 | 22.18 | 13.37 | 2" | S50 | EB1-D |
| 55810 | 5347 | 16.91 | 10.91 | 2-3/8" | S1 | EB1-A |
| 55819 | 5361 | 26.42 | 15.39 | 2" | S1 | EB1-C |
| 55820 | 5349 | 22.92 | 13.92 | 2-3/8" | S1 | EB1-A |
| 55829 | 5248 | 29.78 | 17.59 | 2-3/8" | EB1-A | EB1-A |
| 55850 | 5325 | 26.17 | 15.55 | 2-3/8" | S1 | EB1-A |
| 55860 | 5350 | 29.82 | 17.57 | 2-3/8" | S1 | EB1-A |
| 55875 | 5247 | 23.12 | 14.25 | 2-3/8" | EB1-A | EB1-A |
| 55877 | 5550 | 30.95 | 18.17 | 2-3/8" | EB1-A | EB1-A |
| 55878 | 5262 | 22.95 | 14.67 | 2" | EB1-C | EB1-C |
| 55879 | 5345 | 25.22 | 15.22 | 2-3/8" | S50 | EB2 |
| 55900 | 5243 | 21.70 | 13.42 | 2" | EB1-A | EB1-A |
| 55920 | 5266 | 25.95 | 15.42 | 2" | EB1-A | EB1-A |
| 55922 | 5371 | 27.40 | 16.22 | 2-3/8" | S50 | EB2 |
| 55930 | 5346 | 20.42 | 12.67 | 2-3/8" | S1 | EB1-A |
| 55939 | 5251 | 26.20 | 15.80 | 2-3/8" | EB1-C | EB1-C |

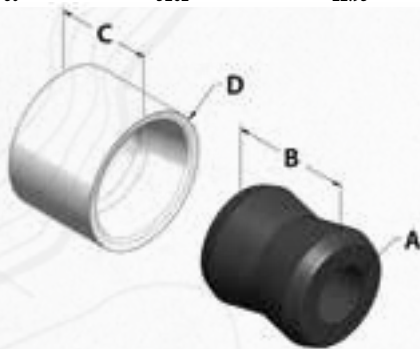
* Also available in 9500 Series

CHEVROLET/GMC
 DODGE
 FORD
 JEEP
 SUZUKI
 TOYOTA
 POSI-LOK
 SHOCKS/STEERING STABILIZERS
 ACCESSORIES
 APPAREL & PROMOTIONAL
 PRODUCT SPECS
 VEHICLE SPECS

5500 SERIES SHOCK ABSORBERS SPECIFICATIONS, MOUNTING CODES

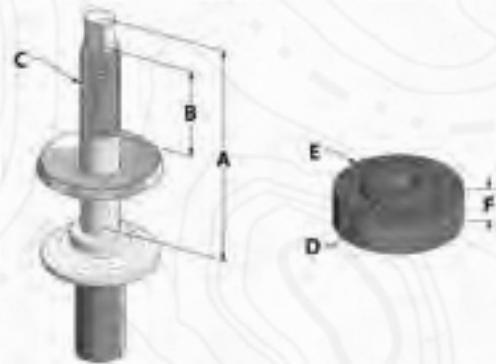
SHOCK ABSORBER SPECIFICATIONS

| PART # | RAW CYLINDER | EXTENDED LENGTH | COLLAPSED LENGTH | BODY DIAMETER | TOP MOUNT | BOTTOM MOUNT |
|--------|--------------|-----------------|------------------|---------------|-----------|--------------|
| 55945 | 5361 | 26.42 | 15.39 | 2" | S1 | EB1-B |
| 55950 | 5262 | 22.95 | 14.67 | 2" | EB1-A | EB1-B |
| 55951 | 5266 | 25.95 | 15.42 | 2" | BP18 | EB1-B |
| 55952 | 5371 | 27.40 | 16.20 | 2-3/8" | S50 | EB2 |
| 55953 | 5350 | 29.82 | 17.57 | 2-3/8" | S1 | EB1-A |
| 55955 | 5362 | 28.16 | 16.43 | 2" | S1 | EB1-B |
| 55958 | 5248 | 29.78 | 17.59 | 2-3/8" | BP18 | EB1-B |
| 55959 | 5250 | 28.00 | 16.50 | 2-3/8" | BP18 | EB1-A |
| 55960 | 5346 | 20.42 | 12.67 | 2-3/8" | S1 | BP7 |
| 55961 | 5251 | 26.20 | 15.80 | 2-3/8" | EB1-A | EB1-A |
| 55962 | 5350 | 29.82 | 17.57 | 2-3/8" | S1 | BP7 |
| 55965 | 5348 | 24.90 | 14.81 | 2-3/8" | S1 | BP7 |
| 55967 | 5325 | 26.17 | 15.55 | 2-3/8" | S1 | BP7 |
| 55968 | 5247 | 23.12 | 14.25 | 2-3/8" | EB1-B | EB1-B |
| 55969 | 5244 | 19.50 | 13.17 | 2" | BP18 | EB1-A |
| 55970 | 5262 | 22.95 | 14.67 | 2" | EB1-A | EB1-A |
| 55971 | 5251 | 26.20 | 15.80 | 2-3/8" | EB1-A | EB1-A |
| 55972 | 5243 | 21.70 | 13.42 | 2" | BP18 | EB1-A |
| 55974 | 5266 | 25.95 | 15.42 | 2" | BP18 | EB1-A |
| 55976 | 5247 | 23.12 | 14.25 | 2-3/8" | BP18 | EB1-A |
| 55977 | 5248 | 29.80 | 17.59 | 2-3/8" | EB1-C | EB1-C |
| 55978 | 5348 | 24.68 | 14.81 | 2-3/8" | S1 | EB1-A |
| 55979 | 5349 | 22.92 | 13.92 | 2-3/8" | S1 | BP7-A |
| 55980 | 5262 | 22.95 | 14.67 | 2" | BP18 | EB1-A |



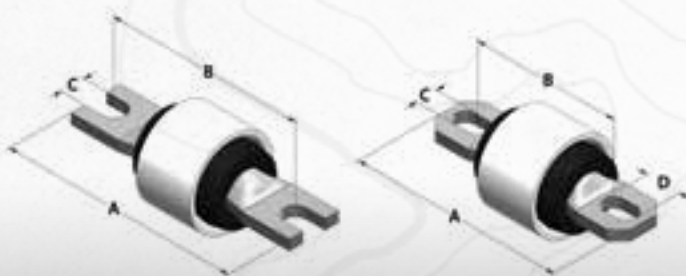
"EB" EYELET BUSHING MOUNTING DIMENSIONS

| Code | A | B | C | D (Dia) |
|-------|------|---------|--------|---------|
| EB1-A | 5/8" | 1-7/16" | 15/16" | 1-7/16" |
| EB1-B | 5/8" | 1-1/2" | 15/16" | 1-7/16" |
| EB1-C | 3/4" | 1-7/16" | 15/16" | 1-7/16" |
| EB1-D | 3/4" | 1-5/8" | 15/16" | 1-7/16" |
| EB1-E | 5/8" | 1-1/4" | 15/16" | 1-7/16" |
| EB2 | 3/4" | 1-5/8" | 1-1/4" | 1-3/4" |



"S" STEM BUSHING MOUNTING DIMENSIONS

| Code | A | B | C | D | E | F |
|------|--------|--------|---------|--------|--------|-------|
| S1 | 2-3/8" | 1-1/8" | 3/8"-24 | 3/4" | 1-1/4" | 1/2" |
| S50 | 3" | 1-1/4" | 1/2"-20 | 15/16" | 1-5/8" | 9/16" |



**"BP" BAR PIN MOUNTING DIMENSIONS
EB1 WITH BUSHING AND BAR PIN**

| Code | Style | A | B | C | D |
|------|--------|--------|--------|------|-------|
| BP7 | Closed | 3-1/4" | 2-1/2" | 3/8" | 7/16" |
| BP8 | Closed | 3-1/2" | 2-7/8" | 3/8" | 7/16" |
| BP18 | Open | 3-3/4" | 3-1/8" | 3/8" | - |

NX² SERIES STEERING STABILIZER MOUNTING SYSTEMS



FEATURES INCLUDE:

- Heavy-duty gusseted construction
- Durable black finish for long life
- All hardware and instructions included
- Single and dual systems available for most lifted applications

INSTALLATION OF COMPLETE SYSTEM WILL...

- Enhance vehicle control with reduced steering shimmy and bumpsteer
- Improve tire wear and front-end component life
- Lessen side-to-side motion caused by wide tires and road conditions

CHEVROLET/GMC 4WD

| MODEL | YEAR | SINGLE | | DUAL | | NOTES |
|--|-------|----------|-------------|-----------|-------------|-------|
| | | CYLINDER | BRACKET KIT | CYLINDER* | BRACKET KIT | |
| Truck Silverado/Sierra 1/2 Ton | 99-06 | 85402 | 55327 | | | |
| Truck Silverado/Sierra 1/2 Ton | 99-06 | | | | 55354 | 3,7 |
| Truck K2500 HD 2WD & 4WD | 2016 | 85430 | 55379 | | | 18,19 |
| Truck K2500 HD 2WD & 4WD | 11-15 | 85425 | | | | |
| Truck K2500 HD – OE Replacement | 01-10 | 85411 | | | | |
| Truck K2500 HD 2WD & 4WD | 01-10 | | | 85423 | 55363 | 3,7 |
| Suburban, Avalanche 2500 | 01-06 | 55411 | | | | |
| Suburban, Avalanche 2500 | 01-06 | | | 85423 | 55363 | 3,7 |
| Truck K1500, K2500 – w/ OE Stabilizer | 88-98 | 85401 | 55328 | | | |
| Truck K1500, K2500 – w/o OE Stabilizer | 88-98 | 85401 | 55326 | | | 9 |
| Truck K1500, K2500 | 88-98 | | | | 55362 | 1,2 |
| Truck 1/2, 3/4, 1 ton - w/ OE Stabilizer | 73-87 | 85402 | 55310 | 85405 | 55374 | 3,6,8 |
| Truck 1/2, 3/4, 1 ton – OE Replacement | 73-87 | 85404 | | 85402 | 55361 | 2,6,8 |
| Truck 1/2, 3/4, 1 ton – w/ 3" diameter axle tube | 69-72 | 85402 | 55310 | | | |
| Truck S-Series & ZR2 | 95-04 | | | | | 4 |
| Truck S-Series & ZR2 – OE Replacement | 83-04 | 85401 | | | | |
| Truck S-Series – w/o OE Stabilizer | 83-97 | 85401 | 55326 | | | 9 |
| Tahoe, Yukon, Suburban 1500 | 00-06 | 85402 | 55327 | | | |
| Tahoe, Yukon, Suburban 1500 | 00-06 | | | | 55354 | 3,7 |
| Tahoe, Yukon, Suburban – w/ OE Stabilizer | 92-98 | 85401 | 55328 | | | |
| Tahoe, Yukon, Suburban – w/o OE Stabilizer | 92-98 | 85401 | 55326 | | | 9 |
| Tahoe, Yukon, Suburban | 92-98 | | | | 55362 | 1,3 |
| Blazer, Jimmy, Suburban – Stacked | 69-91 | 85404 | | 85402 | 55361 | 2,6,8 |
| Blazer, Jimmy, Suburban – End-to-End | 69-91 | 85402 | 55310 | 85405 | 55374 | 3,6,8 |
| Blazer, Jimmy S-Models & ZR2 | 95-04 | | | | | 4 |
| Blazer, Jimmy S-Models & ZR2 – OE Replacement | 83-94 | 85401 | | | | |
| Blazer, Jimmy S-Models – w/o OE Stabilizer | 83-94 | 85401 | 55326 | | | 9 |

DODGE 4WD

| MODEL | YEAR | SINGLE | | DUAL | | NOTES |
|--|-------|----------|-------------|-----------|-------------|-------|
| | | CYLINDER | BRACKET KIT | CYLINDER* | BRACKET KIT | |
| Truck Ram 1500 | 06-12 | 85419 | 55311 | 85419 | 55311 | 11 |
| Truck Ram 1500 - Mega Cab - Y-Style Steering | 06-08 | 85424 | | 85405 | 55357 | 3,8 |
| Truck Ram 1500 | 02-05 | 85419 | 55311 | 85419 | 55311 | 11 |
| Truck Ram 1500 – OE Replacement | 2001 | 85406 | | 85429 | 55377 | 3,6,8 |
| Truck Ram 1500 – OE Replacement | 94-00 | 85417 | | 85429 | 55377 | 3,6,8 |
| Truck Ram 2500 – OE Replacement | 94-00 | 85417 | | 85429 | 55377 | 3,6,8 |
| Truck Ram 2500, 3500 | 01-02 | 85406 | | 85429 | 55377 | 3,6,8 |
| Truck Ram 2500, 3500 - Y-Style Steering | 03-08 | 85424 | | 85405 | 55357 | 3,8 |
| Truck Ram 2500, 3500 - T-Style Steering – OE 4-Link Trucks | 09-13 | 85422 | | 85422 | 55371 | |
| Truck Ram 2500, 3500 OE Radius Arm Trucks | 13-16 | 85427 | | 85422 | 55370 | |
| Ramcharger, Trailduster | 60-93 | | 55310 | 85402 | 55361 | 2,6,8 |
| Truck 1/2, 3/4, 1 Ton | 60-93 | | 55310 | 85402 | 55361 | 2,6,8 |

FORD 4WD

| MODEL | YEAR | SINGLE | | DUAL | | NOTES |
|---|-------|----------|-------------|-----------|-------------|--------|
| | | CYLINDER | BRACKET KIT | CYLINDER* | BRACKET KIT | |
| Ranger | 83-97 | 85402 | 55337 | 85402 | 55324 | 2,8,10 |
| Bronco II | 83-90 | 85402 | 55337 | 85402 | 55324 | 2,8,10 |
| F150 4WD | 97-03 | 85412 | | | | 7 |
| Expedition | 98-02 | 85412 | | | | 7 |
| F150 4WD w/ BDS Replacement Strut Kits | 04-08 | 85402 | 55338 | 85402 | 55339 | 11 |
| F150 4WD w/ BDS Strut Spacer Kits | 04-08 | 85402 | 55312 | 85402 | 55367 | 11 |
| F150 – Excluding Quad Shocks | 80-96 | 85402 | 55337 | 85402 | 55325 | 2,8 |
| F150 – w/ Quad Shocks | 80-96 | 85402 | 55306 | 85402 | 55365 | 3,8 |
| F100, F150 – OE Replacement | 70-79 | | | | | |
| F100, F150 – w/o anti-sway bar | 70-79 | | | 85402 | 55361 | 2,5,8 |
| Explorer | 90-94 | 85402 | 55337 | | | |
| Bronco – Excluding Quad Shocks | 80-96 | 85402 | 55337 | 85402 | 55325 | 2,8 |
| Bronco – w/ Quad Shocks | 80-96 | 85402 | 55306 | 85402 | 55365 | 3,8 |
| Bronco – OE Replacement | 70-79 | | | | | |
| Bronco – w/o anti-sway bar | 78-79 | | | 85402 | 55361 | 2,8 |
| Bronco – OE Replacement | 66-69 | 85404 | | | | |
| F250, F350 Super Duty | 05-10 | 85415 | 55309 | 85405 | 55358 | 3, 12 |
| F250, F350 Super Duty | 11-16 | 85415 | 55368 | 85405 | 55358 | 3, 12 |
| F250, F350 Super Duty, Excursion – OE Replacement | 99-04 | 85428 | 55372 | 85428 | 55373 | 3,8 |
| F250, F350 – Excluding Monobeam F350 | 80-96 | 85402 | 55337 | | | |
| F350 – w/ Monobeam | 86-96 | 85402 | 55310 | | | 3,6,8 |

Boots ordered separately

JEEP

| MODEL | YEAR | SINGLE | | DUAL | | NOTES |
|--|-------|----------|-------------|-----------|-------------|----------|
| | | CYLINDER | BRACKET KIT | CYLINDER* | BRACKET KIT | |
| Wrangler JK | 07-17 | 85421 | 55376 | | | 14 |
| Wrangler JK | 07-17 | 85401 | | 85405 | 55378 | 13, 17 |
| Wrangler TJ – OE Replacement | 97-06 | 85407 | | 85405 | 55375 | 3, 8 |
| Wrangler YJ – OE Replacement | 87-96 | 85407 | | 85402 | 55353 | 2, 8 |
| CJ5, CJ7, CJ8 – OE Replacement | 76-86 | | | | | |
| CJ2A, CJ3A, CJ3B, CJ5, CJ6, CJ7, CJ8 | 42-86 | 85402 | 55307** | | | |
| MB, M38, M38A1 | 41-75 | 85402 | 55307** | | | |
| Grand Cherokee ZJ – OE Replacement | 93-98 | 85401 | | 85405 | 55375 | 3, 8, 16 |
| Grand Cherokee WJ – OE Replacement | 99-04 | 85409 | | 85426 | 55366 | 3, 8 |
| Cherokee XJ – OE Replacement | 84-01 | 85401 | | 85405 | 55375 | 8 |
| Comanche MJ – OE Replacement | 86-92 | 85401 | | | | |
| Truck, Cherokee, Wagoneer – OE Replacement | 74-91 | 85404 | | | | |

SUZUKI

| MODEL | YEAR | SINGLE | | DUAL | | NOTES |
|---------|-------|----------|-------------|-----------|-------------|-------|
| | | CYLINDER | BRACKET KIT | CYLINDER* | BRACKET KIT | |
| Samurai | 85-95 | | | | | |

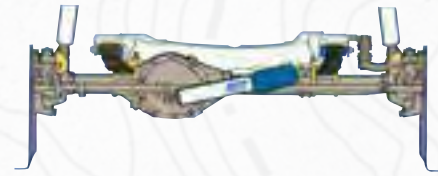
* When ordering dual stabilizer kit, you must order two (2) cylinders and one (1) bracket kit.

** Will not fit with factory sway bar

Boots ordered separately

Notes

- Dual stabilizer kit only works in combination with the 6" BDS suspension system.
- Dual stabilizer kit is a stacked design (over/under).
- Dual stabilizer kit is an end-to-end design.
- 55414 stabilizer kit only works in combination with the 5" BDS suspension system.
- 1976-77 models with power steering and inverted "Y" steering linkage must be converted to a 1978-79 inverted "I" style in order to install dual steering stabilizers.
- For 3" axle tube diameter – some ¾, 1 ton trucks may have larger axles, measure first
- Will not work with suspension lifts that use a modified steering link and will not fit stock height vehicles.
- Dual stabilizer kit will work on stock height applications.
- Single bracket kit 55326 will work on stock height only.
- Will not work with vehicles equipped with factory front sway bar.
- Single and dual kits will only work in combination with the 4"-6" BDS Suspension systems.
- Dual system will not work for vehicles with 2" of lift or less.
- For use with BDS kits 4" of lift or higher.
- For use with 3" of lift or less.
- For 3" axle tube diameter – some ¾, 1 ton trucks may have larger axles, measure first
- Will not fit V8 Grand Cherokee ZJ models due to larger tie rod diameter.
- #55378 bracket requires front 2" bump stop extensions
- Designed for models that are not equipped with steering stabilizer mount from the factory
- Works for all stock and lifted applications where the center link remains in the stock location.



NX² SERIES STEERING STABILIZER SPECIFICATIONS

| PART # | CYLINDER | EXTENDED | COLLAPSED | CYLINDER DIAMETER | BODY MOUNT | ROD MOUNT | AVAILABLE IN 9500 |
|--------|----------|----------|-----------|-------------------|------------|-----------|-------------------|
| 55401 | 8623 | 19.26 | 12.17 | 2" | EB1-A | EB1-A | |
| 55402 | 8402 | 20.11 | 11.86 | 2-3/8" | S1 | S1 | |
| 55403 | 8622 | 22.36 | 12.99 | 2" | S1 | S1 | |
| 55404 | 8621 | 23.92 | 14.30 | 2" | EB1-A | EB1-A | X |
| 55405 | 8621 | 23.92 | 14.30 | 2" | EB1-A | EB1-A | X |
| 55406 | 8621 | 23.92 | 14.30 | 2" | EB1-A | EB1-A | X |
| 55407 | 8624 | 19.75 | 12.13 | 1-3/4" | EB1-A | EB1-A | X |
| 55408 | 8621 | 23.92 | 14.30 | 2" | EB1-A | EB1-A | X |
| 55409 | 8624 | 19.75 | 12.13 | 1-3/4" | EB1-A | EB1-A | X |
| 55410 | 8620 | 17.06 | 10.48 | 1-3/4" | S1 | EB1-A | |
| 55411 | 8623 | 19.26 | 12.17 | 2" | EB1-A | EB1-A | |
| 55412 | 8623 | 19.26 | 12.17 | 2" | EB1-A | EB1-A | |
| 55414 | 8620 | 17.06 | 10.48 | 1-3/4" | S1 | EB1-A | |
| 55415 | 8621 | 23.92 | 14.30 | 2" | EB1-A | EB1-A | X |
| 55405 | 8621 | 23.92 | 14.30 | 2" | EB1-A | EB1-A | X |
| 55417 | 8621 | 23.92 | 14.30 | 2" | EB1-A | EB1-A | X |
| 55419 | 8623 | 19.26 | 12.17 | 2" | EB1-A | EB1-A | |
| 55420 | 8623 | 19.26 | 12.17 | 2" | EB1-A | EB1-A | |
| 55421 | 8624 | 19.26 | 12.17 | 2" | EB1-A | EB1-A | X |
| 55422 | 8621 | 23.92 | 14.3 | 2" | EB1-A | EB1-A | X |
| 55423 | 8624 | 19.75 | 12.13 | 1-3/4" | EB1-A | EB1-A | |
| 55424 | 8621 | 23.92 | 14.30 | 2" | EB1-A | EB1-A | X |
| 55425 | 8621 | 23.92 | 14.30 | 2" | EB1-A | EB1-A | X |
| 55426 | 8624 | 19.75 | 12.13 | 1-3/4" | EB1-A | EB1-A | X |
| 55427 | 8621 | 23.92 | 14.3 | 2" | EB1-A | EB1-B | X |

5500 SERIES STEERING STABILIZER MOUNTING SYSTEMS



FEATURES INCLUDE:

- Heavy-duty gusseted construction
- Durable black finish for long life
- All hardware and instructions included
- Single and dual systems available for most lifted applications

INSTALLATION OF COMPLETE SYSTEM WILL...

- Enhance vehicle control with reduced steering shimmy and bumpsteer
- Improve tire wear and front-end component life
- Lessen side-to-side motion caused by wide tires and road conditions

CHEVROLET/GMC 4WD

| MODEL | YEAR | SINGLE | | DUAL | | NOTES |
|--|-------|----------|-------------|-----------|-------------|-------|
| | | CYLINDER | BRACKET KIT | CYLINDER* | BRACKET KIT | |
| Truck Silverado/Sierra 1/2 Ton | 99-06 | 55402 | 55327 | | | |
| Truck Silverado/Sierra 1/2 Ton | 99-06 | | | 55410 | 55354 | 3,7 |
| Truck K2500 HD 2WD & 4WD | 11-15 | 55425 | | | | |
| Truck K2500 HD – OE Replacement | 01-10 | 55411 | | | | |
| Truck K2500 HD 2WD & 4WD | 01-10 | | | 55423 | 55363 | 3,7 |
| Suburban, Avalanche 2500 | 01-06 | 55411 | | | | |
| Suburban, Avalanche 2500 | 01-06 | | | 55423 | 55363 | 3,7 |
| Truck K1500, K2500 – w/ OE Stabilizer | 88-98 | 55401 | 55328 | | | |
| Truck K1500, K2500 – w/o OE Stabilizer | 88-98 | 55401 | 55326 | | | 9 |
| Truck K1500, K2500 | 88-98 | | | 55410 | 55362 | 1,2 |
| Truck 1/2, 3/4, 1 ton – w/ OE Stabilizer | 73-87 | 55402 | 55310 | 55405 | 55374 | 3,6,8 |
| Truck 1/2, 3/4, 1 ton – OE Replacement | 73-87 | 55404 | | 55402 | 55361 | 2,6,8 |
| Truck 1/2, 3/4, 1 ton – w/ 3" diameter axle tube | 69-72 | 55402 | 55310 | | | |
| Truck S-Series & ZR2 | 95-04 | 55414 | | | | 4 |
| Truck S-Series & ZR2 – OE Replacement | 83-04 | 55401 | | | | |
| Truck S-Series – w/o OE Stabilizer | 83-97 | 55401 | 55326 | | | 9 |
| Tahoe, Yukon, Suburban 1500 | 00-06 | 55402 | 55327 | | | |
| Tahoe, Yukon, Suburban 1500 | 00-06 | | | 55410 | 55354 | 3,7 |
| Tahoe, Yukon, Suburban – w/ OE Stabilizer | 92-98 | 55401 | 55328 | | | |
| Tahoe, Yukon, Suburban – w/o OE Stabilizer | 92-98 | 55401 | 55326 | | | 9 |
| Tahoe, Yukon, Suburban | 92-98 | | | 55410 | 55362 | 1,3 |
| Blazer, Jimmy, Suburban – Stacked | 69-91 | 55404 | | 55402 | 55361 | 2,6,8 |
| Blazer, Jimmy, Suburban – End-to-End | 69-91 | 55402 | 55310 | 55405 | 55374 | 3,6,8 |
| Blazer, Jimmy S-Models & ZR2 | 95-04 | 55414 | | | | 4 |
| Blazer, Jimmy S-Models & ZR2 – OE Replacement | 83-94 | 55401 | | | | |
| Blazer, Jimmy S-Models – w/o OE Stabilizer | 83-94 | 55401 | 55326 | | | 9 |

DODGE 4WD

| MODEL | YEAR | SINGLE | | DUAL | | NOTES |
|--|-------|----------|-------------|-----------|-------------|-------|
| | | CYLINDER | BRACKET KIT | CYLINDER* | BRACKET KIT | |
| Truck Ram 1500 | 06-12 | 55419 | 55311 | 55419 | 55311 | 11 |
| Truck Ram 1500 - Mega Cab - Y-Style Steering | 06-08 | 55424 | | 55405 | 55357 | 3,8 |
| Truck Ram 1500 | 02-05 | 55419 | 55311 | 55419 | 55311 | 11 |
| Truck Ram 1500 – OE Replacement | 2001 | 55406 | | 55429 | 55377 | 3,6,8 |
| Truck Ram 1500 – OE Replacement | 94-00 | 55417 | | 55429 | 55377 | 3,6,8 |
| Truck Ram 2500 – OE Replacement | 94-00 | 55417 | | 55429 | 55377 | 3,6,8 |
| Truck Ram 2500, 3500 | 01-02 | 55406 | | 55429 | 55377 | 3,6,8 |
| Truck Ram 2500, 3500 - Y-Style Steering | 03-08 | 55424 | | 55405 | 55357 | 3,8 |
| Truck Ram 2500, 3500 - T-Style Steering – OE 4-Link Trucks | 09-13 | 55422 | | 55422 | 55371 | |
| Truck Ram 2500, 3500 OE Radius Arm Trucks | 13-16 | 55427 | | 55422 | 55370 | |
| Ramcharger, Trailduster | 60-93 | 55403 | 55310 | 55402 | 55361 | 2,6,8 |
| Truck 1/2, 3/4, 1 Ton | 60-93 | 55403 | 55310 | 55402 | 55361 | 2,6,8 |

FORD 4WD

| MODEL | YEAR | SINGLE | | DUAL | | NOTES |
|---|-------|----------|-------------|-----------|-------------|--------|
| | | CYLINDER | BRACKET KIT | CYLINDER* | BRACKET KIT | |
| Ranger | 83-97 | 55402 | 55337 | 55402 | 55324 | 2,8,10 |
| Bronco II | 83-90 | 55402 | 55337 | 55402 | 55324 | 2,8,10 |
| F150 4WD | 97-03 | 55412 | | | | 7 |
| Expedition | 98-02 | 55412 | | | | 7 |
| F150 4WD w/ BDS Replacement Strut Kits | 04-08 | 55402 | 55338 | 55402 | 55339 | 11 |
| F150 4WD w/ BDS Strut Spacer Kits | 04-08 | 55402 | 55312 | 55402 | 55367 | 11 |
| F150 – Excluding Quad Shocks | 80-96 | 55402 | 55337 | 55402 | 55325 | 2,8 |
| F150 – w/ Quad Shocks | 80-96 | 55402 | 55306 | 55402 | 55365 | 3,8 |
| F100, F150 – OE Replacement | 70-79 | 55403 | | | | |
| F100, F150 – w/o anti-sway bar | 70-79 | | | 55402 | 55361 | 2,5,8 |
| Explorer | 90-94 | 55402 | 55337 | | | |
| Bronco – Excluding Quad Shocks | 80-96 | 55402 | 55337 | 55402 | 55325 | 2,8 |
| Bronco – w/ Quad Shocks | 80-96 | 55402 | 55306 | 55402 | 55365 | 3,8 |
| Bronco – OE Replacement | 70-79 | 55403 | | | | |
| Bronco – w/o anti-sway bar | 78-79 | | | 55402 | 55361 | 2,8 |
| Bronco – OE Replacement | 66-69 | 55404 | | | | |
| F250, F350 Super Duty | 05-10 | 55415 | 55309 | 55405 | 55358 | 3, 12 |
| F250, F350 Super Duty | 11-16 | 55415 | 55368 | 55405 | 55358 | 3, 12 |
| F250, F350 Super Duty, Excursion - OE Replacement | 99-04 | 55428 | 55372 | 55428 | 55373 | 3,8 |
| F250, F350 – Excluding Monobeam F350 | 80-96 | 55402 | 55337 | | | |
| F350 – w/ Monobeam | 86-96 | 55402 | 55310 | | | 3,6,8 |

Boots ordered separately

JEEP

| MODEL | YEAR | SINGLE | | DUAL | | NOTES |
|--|-------|----------|-------------|-----------|-------------|----------|
| | | CYLINDER | BRACKET KIT | CYLINDER* | BRACKET KIT | |
| Wrangler JK | 07-17 | 55421 | 55376 | | | 14 |
| Wrangler JK | 07-17 | 55401 | | 55405 | 55378 | 13, 17 |
| Wrangler TJ – OE Replacement | 97-06 | 55407 | | 55405 | 55375 | 3, 8 |
| Wrangler YJ – OE Replacement | 87-96 | 55407 | | 55402 | 55353 | 2, 8 |
| CJ5, CJ7, CJ8 – OE Replacement | 76-86 | 55410 | | | | |
| CJ2A, CJ3A, CJ3B, CJ5, CJ6, CJ7, CJ8 | 42-86 | 55402 | 55307** | | | |
| MB, M38, M38A1 | 41-75 | 55402 | 55307** | | | |
| Grand Cherokee ZJ – OE Replacement | 93-98 | 55401 | | 55405 | 55375 | 3, 8, 16 |
| Grand Cherokee WJ – OE Replacement | 99-04 | 55409 | | 55426 | 55366 | 3, 8 |
| Cherokee XJ – OE Replacement | 84-01 | 55401 | | 55405 | 55375 | 8 |
| Comanche MJ – OE Replacement | 86-92 | 55401 | | | | |
| Truck, Cherokee, Wagoneer – OE Replacement | 74-91 | 55404 | | | | |

SUZUKI

| MODEL | YEAR | SINGLE | | DUAL | | NOTES |
|---------|-------|----------|-------------|-----------|-------------|-------|
| | | CYLINDER | BRACKET KIT | CYLINDER* | BRACKET KIT | |
| Samurai | 85-95 | 55403 | 55307 | | | |

* When ordering dual stabilizer kit, you must order two (2) cylinders and one (1) bracket kit.
 ** Will not fit with factory sway bar

Boots ordered separately

Notes

- Dual stabilizer kit only works in combination with the 6" BDS suspension system.
- Dual stabilizer kit is a stacked design (over/under).
- Dual stabilizer kit is an end-to-end design.
- 55414 stabilizer kit only works in combination with the 5" BDS suspension system.
- 1976-77 models with power steering and inverted "Y" steering linkage must be converted to a 1978-79 inverted "T" style in order to install dual steering stabilizers.
- For 3" axle tube diameter – some ¾, 1 ton trucks may have larger axles, measure first
- Will not work with suspension lifts that use a modified steering link and will not fit stock height vehicles.
- Dual stabilizer kit will work on stock height applications.
- Single bracket kit 55326 will work on stock height only.
- Will not work with vehicles equipped with factory front sway bar.
- Single and dual kits will only work in combination with the 4"-6" BDS Suspension systems.
- Dual system will not work for vehicles with 2" of lift or less.
- For use with BDS kits 4" of lift or higher.
- For use with 3" of lift or less.
- For 3" axle tube diameter – some ¾, 1 ton trucks may have larger axles, measure first
- Will not fit V8 Grand Cherokee ZJ models due to larger tie rod diameter.
- #55378 bracket requires front 2" bump stop extensions



5500 SERIES STEERING STABILIZER SPECIFICATIONS

| PART # | CYLINDER | EXTENDED | COLLAPSED | CYLINDER DIAMETER | BODY MOUNT | ROD MOUNT | AVAILABLE IN 9500 |
|--------|----------|----------|-----------|-------------------|------------|-----------|-------------------|
| 55401 | 5623 | 19.26 | 12.17 | 2" | EB1-A | EB1-A | |
| 55402 | 5402 | 20.11 | 11.86 | 2-3/8" | S1 | S1 | |
| 55403 | 5622 | 22.36 | 12.99 | 2" | S1 | S1 | |
| 55404 | 5621 | 23.92 | 14.30 | 2" | EB1-A | EB1-A | X |
| 55405 | 5621 | 23.92 | 14.30 | 2" | EB1-A | EB1-A | X |
| 55406 | 5621 | 23.92 | 14.30 | 2" | EB1-A | EB1-A | X |
| 55407 | 5624 | 19.75 | 12.13 | 1-3/4" | EB1-A | EB1-A | X |
| 55408 | 5621 | 23.92 | 14.30 | 2" | EB1-A | EB1-A | X |
| 55409 | 5624 | 19.75 | 12.13 | 1-3/4" | EB1-A | EB1-A | X |
| 55410 | 5620 | 17.06 | 10.48 | 1-3/4" | S1 | EB1-A | |
| 55411 | 5623 | 19.26 | 12.17 | 2" | EB1-A | EB1-A | |
| 55412 | 5623 | 19.26 | 12.17 | 2" | EB1-A | EB1-A | |
| 55414 | 5620 | 17.06 | 10.48 | 1-3/4" | S1 | EB1-A | |
| 55415 | 5621 | 23.92 | 14.30 | 2" | EB1-A | EB1-A | X |
| 55405 | 5621 | 23.92 | 14.30 | 2" | EB1-A | EB1-A | X |
| 55417 | 5621 | 23.92 | 14.30 | 2" | EB1-A | EB1-A | X |
| 55419 | 5623 | 19.26 | 12.17 | 2" | EB1-A | EB1-A | |
| 55420 | 5623 | 19.26 | 12.17 | 2" | EB1-A | EB1-A | |
| 55421 | 5624 | 19.26 | 12.17 | 2" | EB1-A | EB1-A | X |
| 55422 | 5621 | 23.92 | 14.3 | 2" | EB1-A | EB1-A | X |
| 55423 | 5624 | 19.75 | 12.13 | 1-3/4" | EB1-A | EB1-A | |
| 55424 | 5621 | 23.92 | 14.30 | 2" | EB1-A | EB1-A | X |
| 55425 | 5621 | 23.92 | 14.30 | 2" | EB1-A | EB1-A | X |
| 55426 | 5624 | 19.75 | 12.13 | 1-3/4" | EB1-A | EB1-A | X |
| 55427 | 5621 | 23.92 | 14.3 | 2" | EB1-A | EB1-B | X |



FOX 2.0 PERFORMANCE SERIES STEERING STABILIZERS

FEATURING FOX 50/50 VALVED 2.0 ALUMINUM CYLINDERS FOR IMPROVED CONTROL



CHEVY/GMC 4WD

| Model | Year | SINGLE | | DUAL | | |
|-----------------------------|-------|----------|-------------|-----------|-------------|-------|
| | | Cylinder | Bracket Kit | Cylinder* | Bracket Kit | Notes |
| GM Trucks (1/2, 3/4, 1-ton) | 73-87 | | | 98224011 | 55374 | 1,2,3 |
| GM SUVs (1/2, 3/4, 1-ton) | 73-91 | | | 98224011 | 55374 | 1,2,3 |

DODGE 4WD

| Model | Year | SINGLE | | DUAL | | |
|-----------------------------|-------|----------|-------------|-----------|-------------|-------|
| | | Cylinder | Bracket Kit | Cylinder* | Bracket Kit | Notes |
| Ram 1500 | 94-01 | | | 98224012 | 55377 | 2 |
| Ram 2500/3500 | 94-02 | | | 98224012 | 55377 | 2 |
| Ram 2500 - T-Style Steering | 08-13 | | | 98224016 | 55371 | 4 |
| | 14-16 | 98224018 | | 98224016 | 55370 | |
| Ram 3500 - T-Style Steering | 08-12 | | | 98224016 | 55371 | 4 |
| | 13-16 | 98224018 | | 98224016 | 55370 | |

FORD 4WD

| Model | Year | SINGLE | | DUAL | | |
|-----------|-------|----------|-------------|-----------|-------------|-------|
| | | Cylinder | Bracket Kit | Cylinder* | Bracket Kit | Notes |
| F250/F350 | 99-04 | 98224014 | 55372 | 98224014 | 55373 | |
| | 05-16 | | | 98224019 | 55358 | 1,5 |

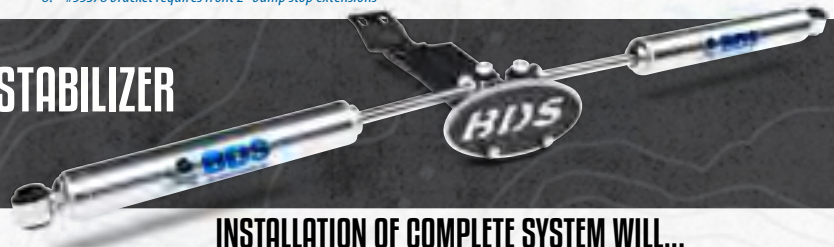
JEEP 4WD

| Model | Year | SINGLE | | DUAL | | |
|-------------------|-------|----------|-------------|-----------|-------------|-------|
| | | Cylinder | Bracket Kit | Cylinder* | Bracket Kit | Notes |
| Wrangler JK | 07-17 | 98224013 | 55376 | 98224010 | 55378 | 6,8 |
| Wrangler TJ | 97-06 | 98224017 | | 98224012 | 55375 | |
| Cherokee XJ | 84-01 | 98224017 | | 98224012 | 55375 | |
| Grand Cherokee ZJ | 93-98 | 98224017 | | 98224012 | 55375 | 7 |

* When ordering dual stabilizer kit, you must order two (2) cylinders and one (1) bracket kit.

- Notes
1. Dual stabilizer kit is an end-to-end design.
 2. For 3" axle tube diameter - some trucks may have larger axles, measure first
 3. Dual stabilizer will work on stock height applications
 4. Must have "T" style steering, older "Y" style steering must be converted to "T"
 5. This dual system will not work on vehicles with 2" of lift or less.
 6. #55376 bracket required only if vehicle not currently equipped with BDS front track bar relocation bracket
 7. Will not fit V8 Grand Cherokee ZJ models due to larger tie rod diameter.
 8. #55378 bracket requires front 2" bump stop extensions

9500 SERIES STEERING STABILIZER MOUNTING SYSTEMS



FEATURES INCLUDE:

- Hydraulic stabilizer cylinders with a brushed stainless appearance and a top clear coat
- Heavy-duty gusseted mounting brackets
- All hardware and instructions included

INSTALLATION OF COMPLETE SYSTEM WILL...

- Enhance vehicle control with reduced steering shimmy and bump steer
- Improve tire wear and front-end component life
- Lessen side-to-side motion caused by wide tires and road conditions

DODGE 4WD

| MODEL | YEAR | SINGLE | | DUAL | | |
|--|-------|----------|-------------|-----------|-------------|-------|
| | | CYLINDER | BRACKET KIT | CYLINDER* | BRACKET KIT | NOTES |
| Truck Ram 1500 - Mega Cab | 06-08 | 95406 | | 95405 | 55357 | 1,3 |
| Truck Ram 1500 - OE Replacement | 2001 | 95406 | | 95404 | 55377 | 1,2,3 |
| Truck Ram 1500 - OE Replacement | 94-00 | 95417 | | 95404 | 55377 | 1,2,3 |
| Truck Ram 2500 - OE Replacement | 94-00 | 95417 | | 95404 | 55377 | 1,2,3 |
| Truck Ram 2500, 3500 | 01-02 | 95406 | | 95404 | 55377 | 1,2,3 |
| Truck Ram 2500, 3500 - Y-Style Steering | 03-08 | 95424 | | 95405 | 55357 | 1,3,5 |
| Truck Ram 2500, 3500 - OE 4-Link Trucks - T-Style Steering | 09-13 | 95422 | | 95422 | 55371 | 1,5 |
| Truck Ram 2500, 3500 OE Radius Arm Trucks | 13-16 | 95427 | | 95422 | 55370 | 1 |

FORD 4WD

| MODEL | YEAR | SINGLE | | DUAL | | |
|----------------------------------|-------|----------|-------------|-----------|-------------|-------|
| | | CYLINDER | BRACKET KIT | CYLINDER* | BRACKET KIT | NOTES |
| F250, F350 Super Duty | 12-15 | 95415 | 55368 | 95405 | 55358 | 1,6 |
| F250, F350 Super Duty | 05-11 | 95415 | 55309 | 95405 | 55358 | 1,6 |
| F250, F350 Super Duty, Excursion | 99-04 | 95405 | | 95408 | 55373 | 1,3 |
| F350 - w/ Monobeam | 86-96 | | | 95404 | 55351 | 1,3 |

JEEP 4WD

| MODEL | YEAR | SINGLE | | DUAL | | |
|--------------------------------------|-------|----------|-------------|-----------|-------------|-------|
| | | CYLINDER | BRACKET KIT | CYLINDER* | BRACKET KIT | NOTES |
| Wrangler JK | 07-17 | 95421 | 55376 | 95405 | 55378 | 1,4,8 |
| Wrangler TJ, XJ, ZJ - OE Replacement | 97-06 | 95407 | | 95429 | 55375 | 1,3,7 |
| Wrangler YJ | 87-96 | 95407 | | | | |
| Grand Cherokee WJ - OE Replacement | 99-04 | 95409 | | 95426 | 55366 | 1,3 |

* When ordering dual stabilizer kit, you must order two (2) cylinders and one (1) bracket kit.

- Notes
1. Dual stabilizer kit is an end-to-end design.
 2. For 3-1/4" axle tube diameter only. Does not fit Dana 60 front axle.
 3. Dual stabilizer kit will work on stock height applications.
 4. Dual system work with BDS 4" of lift or higher.
 5. 55357 bracket kit is designed for trucks with Y-style steering. 55369 bracket kit is designed for trucks with T-style steering.
 6. Dual system will not work with 2" lift or less.
 7. Will not fit V8 Grand Cherokee ZJ models due to larger tie rod diameter.
 8. #55378 bracket requires front 2" bump stop extensions

Boots ordered separately