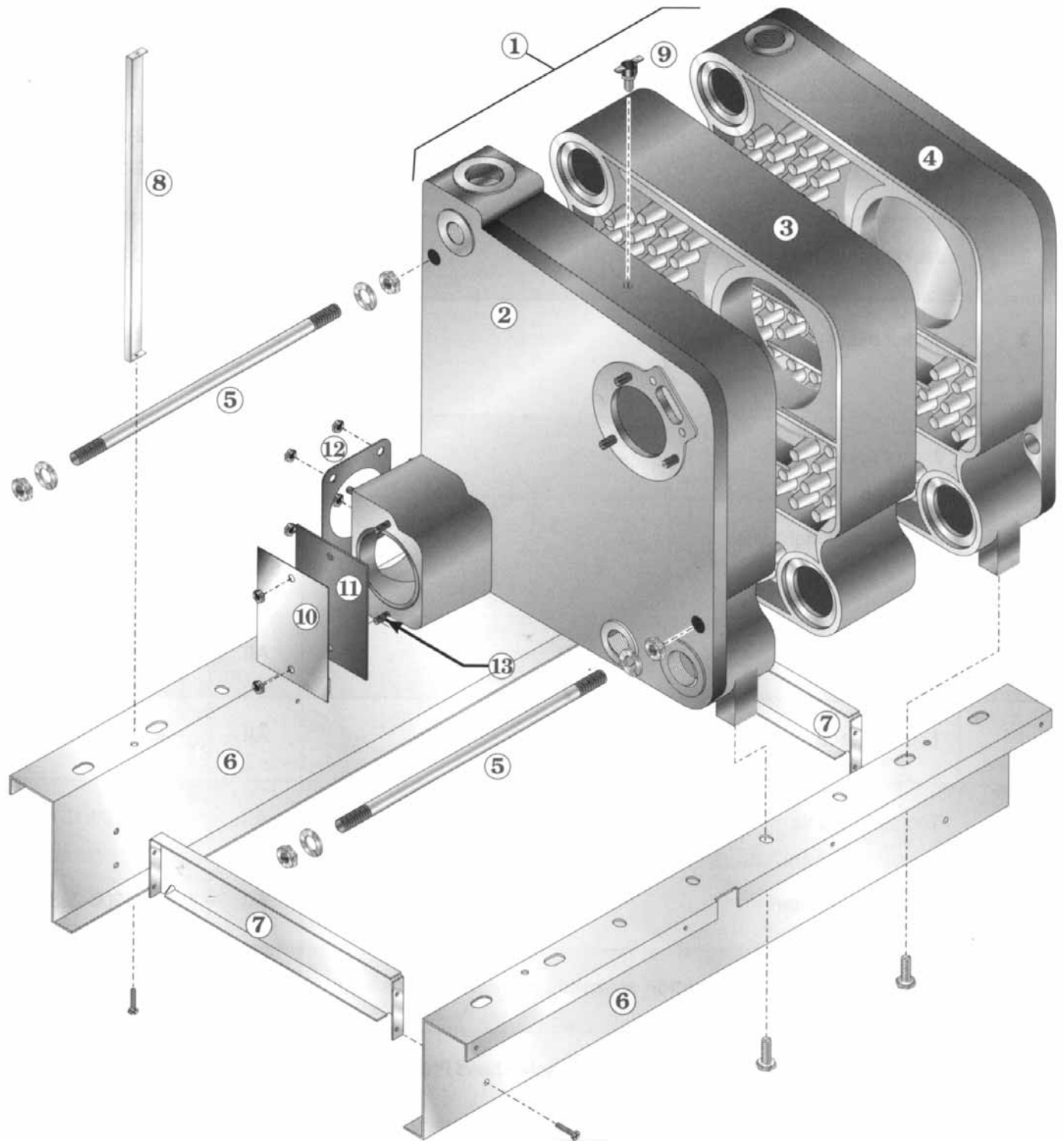


# GV Series 3 Section Assembly

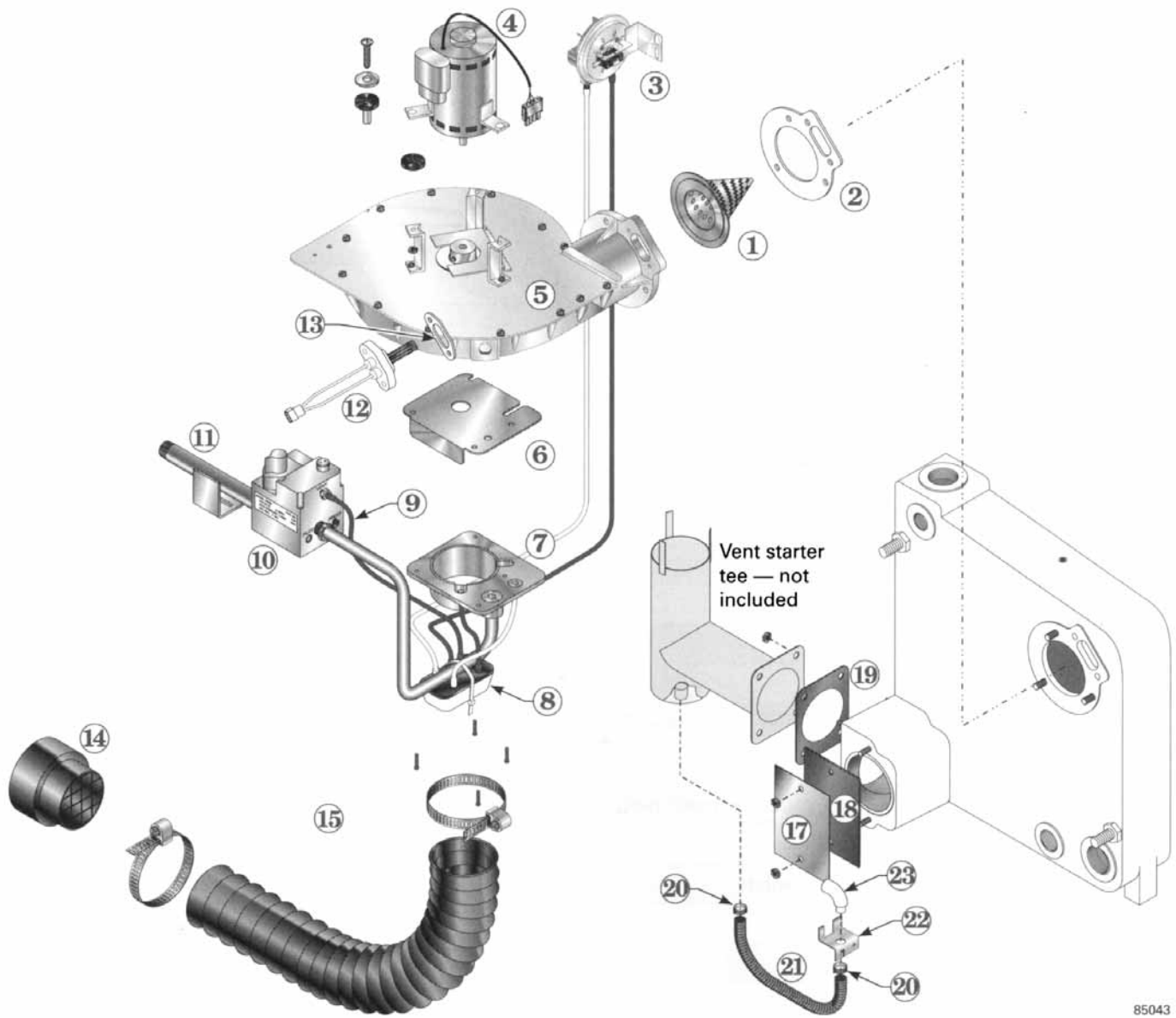


## GV Series 3 Section Assembly

Fig. No.	Part No.	Description	Size	Notes
1	322-200-280	Section Assembly, GV-3 (Repair Kit Required)	3	
1	322-200-281	Section Assembly, GV-4 (Repair Kit Required)	4	
1	322-200-282	Section Assembly, GV-5 (Repair Kit Required)	5	
1	322-200-283	Section Assembly, GV-6 (Repair Kit Required)	6	
	382-200-391	Repair Kit, Block Repair Kit, (Includes water tubing – pump to return, male adapter 1" N.P.T., blower flange gasket, igniter, igniter gasket, screws, studs, nuts, washers)		■
2	312-200-150	Front Section 3913 (Repair Kit Required)	All	
3	312-200-110	Intermediate Section 3915 (Repair Kit Required)	All	
4	312-200-130	Back Section 3918 (Repair Kit Required)	All	
	382-200-301	Repair Kit, Front Section (Includes square cut seals, silicone sealant, tie rod washers, water tubing – pump to return, male adapters 1" N.P.T., blower flange gasket, igniter, igniter gasket, screws, studs, washers, nuts) Series 3 only		
	382-200-305	Repair Kit, Intermediate/ Back Sections (Includes square cut seals, silicone sealant, tie rod nuts, tie rod washers – 1 kit per joint)		
5	560-234-499	7/16" Tie Rod w/o Nut (2 per Boiler): GV-3 (10-1/2")	3	
5	560-234-525	7/16" Tie Rod w/o Nut (2 per Boiler): GV-4 (14")	4	
5	560-234-503	7/16" Tie Rod w/o Nut (2 per Boiler): GV-5 (18")	5	
5	560-234-504	7/16" Tie Rod w/o Nut (2 per Boiler): GV-6 (21")	6	
	561-928-235	Regular Hex Nut 7/16" (2 per Tie Rod)	All	
	562-248-684	Washer, Medium Plain Split Lock 7/16 (1 per Tie Rod)	All	
6	452-100-170	Base Rail Leg, GV-3 & 4	3 & 4	
6	452-100-172	Base Rail Leg, GV-5 & 6	5 & 6	
7	452-100-080	Base Rail Brace	All	
8	452-100-111	Blower Housing Support	All	
9	382-200-375	Block Temperature Limit Switch Kit 350° Open - 250° Close	All	
10	560-907-629	Inspection Port Cover	All	
11	590-317-628	Inspection Port Gasket	All	
12	590-317-629	Starter Tee Gasket	All	
13	560-340-581	Stud, 5/16" – 18 x 1.25	All	
13A	Obtain locally	5/16-182 P nuts with nylon		

■ Block Repair Kit is required if replacing the entire block

# GV Series 3 Blower Assembly Components



85043

## GV Series 3 Blower Assembly Components

Fig. No.	Part No.	Description	Mfr.	Mfr.'s Part No.	Notes
1	382-200-320	Burner Replacement Kit GV-3 (Includes burner cone and ring assembly, blower flange gasket, igniter, igniter screws, igniter washers, igniter gasket)	Weil-McLain		
1	382-200-325	Burner Replacement Kit GV-4 (Includes items listed above)	Weil-McLain		
1	382-200-330	Burner Replacement Kit GV-5 (Includes items listed above)	Weil-McLain		
1	382-200-335	Burner Replacement Kit GV-6 (Includes items listed above)	Weil-McLain		
2	590-317-610	Blower Flange Gasket	Weil-McLain		
3	511-624-520	Air Pressure Switch (0 – 5500' Elevation)	Tridelta	FS6330-527	
3	382-200-317	Air Pressure Switch Kit – High Altitude (5500 – 10,000' Elevation)	Tridelta	FS7008-1269	
4	382-200-345	Blower Motor Replacement Kit (Includes Blower motor, motor mount grommets, screws, lock nuts, alan wrench). Fasco 7162-2941	Weil-McLain		
5	382-200-340	Blower Housing Assembly Replacement Kit (Includes blower housing, observation port window, blower housing cover plate, blower motor mounting brackets, washer hold down bracket, lock nuts, motor mount grommets, blower motor, blower wheel, magnetic washer, silicone sealant, screws, blower flange gasket, igniter, igniter screws, igniter washers, igniter gasket)	Weil-McLain		
6	510-811-600	Conversion Kit, Nat. to Propane (Includes propane orifice plate, label) GV-3	Weil-McLain		
6	510-811-605	Conversion Kit, Nat. to Propane (Includes propane orifice plate, label) GV-4	Weil-McLain		
6	510-811-610	Conversion Kit, Nat. to Propane (Includes propane orifice plate, label) GV-5	Weil-McLain		
6	510-811-615	Conversion Kit, Nat. to Propane (Includes propane orifice plate, label) GV-6	Weil-McLain		
6	510-811-620	Conversion Kit, Propane to Nat. (Includes natural orifice plate, label) GV-3	Weil-McLain		
6	510-811-625	Conversion Kit, Propane to Nat. (Includes natural orifice plate, label) GV-4	Weil-McLain		
6	510-811-630	Conversion Kit, Propane to Nat. (Includes natural orifice plate, label) GV-5	Weil-McLain		
6	510-811-635	Conversion Kit, Propane to Nat. (Includes natural orifice plate, label) GV-6	Weil-McLain		
7	382-200-355	Gas/Air Manifold Assembly (Includes Gas/Air manifold, gas tubing, washer, hose barbs, o-rings, condensate trap, hoses, and bracket)	Weil-McLain		
8	382-200-409	Sense Line Condensate Kit (Includes condensate trap, hoses)	Weil-McLain		
9	590-317-647	Gas Valve Tubing to Gas/Air Manifold	Weil-McLain		
10	382-200-410	Gas Valve Replacement Kit (Includes gas valve, manifold, bracket)	Weil-McLain		
11	591-126-800	Gas Manifold Assembly (Includes gas supply manifold, bracket)	Weil-McLain		
12	511-330-148	Igniter Replacement Kit (Includes igniter, gasket)	Weil-McLain		
13	590-317-599	Igniter Gasket (Included in Igniter Replacement Kit)			
14	560-907-635	Inlet Air Fitting	Weil-McLain		
15	382-200-315	Inlet Air Kit (includes Inlet Air Hose, Hose Clamp, 3")	Weil-McLain		
17	560-907-629	Inspection Port Cover	Weil-McLain		
18	590-317-628	Inspection Port Gasket	Weil-McLain		
19	590-317-629	Starter Tee Gasket	Weil-McLain		
20	382-200-385	Hose Trap Replacement Kit	Weil-McLain		
21		Condensate Trap Hose (Included in Hose Trap Replacement Kit)			
22	452-100-112	Drain Bracket	Weil-McLain		
23	560-907-650	Drain Ell			
	382-200-406	Condensate drain line check valve kit			
	382-200-430	Vent/Air Intake Terminal Kit S.S. (Includes Intake/Exhaust Cap, Coupling, Mounting and Backing Plate, Exhaust Tube Spacer, Anchors, Screws, and Washers)	Weil-McLain		
	590-317-599	Igniter Gasket	Weil-McLain		

See page 63 for vent starter studs and nuts

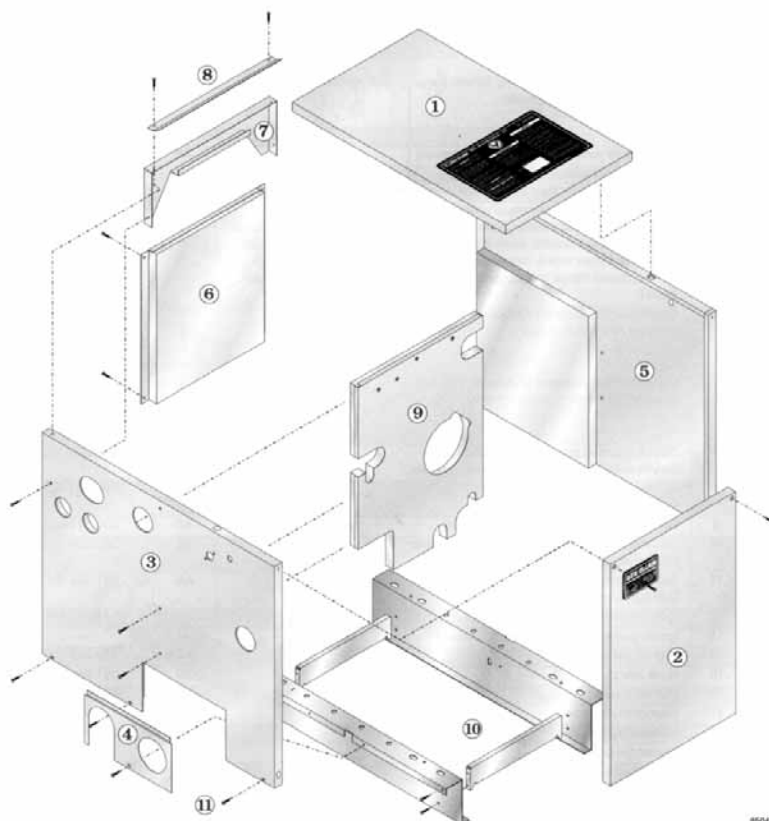
# GV Series 3 Trim



## GV Series 3 Trim

Fig. No.	Part No.	Description	Mfr.	Mfr.'s Part No.	Notes
1	510-312-021	High Limit Temperature Control, SPST, Automatic Recycle, 160-220°F Range, 30°F Fixed Subtractive Differential, 1/2" N.P.T. Brass Control Well	Honeywell	L4080D1226	
2	511-546-920	ASME Pressure Relief Valve, Set to Relieve at 30 PSIG, 1/4" N.P.T. Male Inlet, Brass, Side Outlet	Watts	M330	
3	510-218-099	Combination Pressure-Temperature Gauge, 2-1/2" Dial, 0-60 PSIG, 70-250°F, Short Shank, Back Connection, 1/4" N.P.T.	ENFM	4104	
3	510-218-099	Combination Pressure-Temperature Gauge, 2-1/2" Dial, 0-60 PSIG, 70-250°F, Short Shank, Back Connection, 1/4" N.P.T. Spec. 199994	Ametek	PT 1088	
3	510-218-047	Combination Pressure-Temperature Gauge, 2-1/2" Dial, 0-60 PSIG, 70-250°F, Short Shank, Back Connection, 1/4" N.P.T. Spec. 199994, with shut-off	ENFM	4104-3-1/2-60	
4	511-210-392	Drain Valve, 1/4" N.P.T	Hammond	710	
5	511-405-113	System Circulator, 1/25 HP, 120/60/1 Motor, 1,750 RPM, 0.75 Amps	Taco	007F	
	511-405-113	Bypass Circulator, 1/25 HP, 120/60/1 Motor, 1,750 RPM, 0.75 Amps	Taco	007F	
6	590-317-543	Circulator Gasket	Taco	110-339	
7	381-354-525	1" Universal Hardware Kit (Includes Flange, Gasket, Screws, Nuts)	Weil-McLain		
8	591-391-824	Wiring Harness, Dual Circulators to Control Module	Weil-McLain		
NS	560-742-938	Copper return bend, 1", Requires 2 - 1" N.P.T. x 1" sweat adapters which can be obtained locally	Weil-McLain		
	511-330-089	Return Water Temperature Sensor (with clip)	UT	JW4465	
	511-330-089	Return Water Temperature Sensor (with clip)	Keystone	JW4465	
11	382-200-375	Block Temperature Switch 350° Open - 250° Close	Elmwood	2455 RC-174-113	
<b>ADDITIONAL WATER TRIM COMPONENTS</b>					
12	510-148-565	Coin Vent, 1/8" N.P.T. (Reducing Coupling Required)	Keeney	#4SN	
13	510-632-088	Fill-Trol Diaphragm Expansion Tank, (Tank Only) with "O" Ring and Machine Thread Connection to Fill Valve	Amtrol	109	
13	510-632-089	Fill-Trol Diaphragm Expansion Tank, (Tank Only) with "O" Ring and Machine Thread Connection to Fill Valve	Amtrol	110	
14	511-210-433	Fill Valve, Angle Style-90°, with Built-In Strainer, Pressure Reducer, Check Valve, and Manual Shut-off	Conbraco	MX3907	
	382-200-420	Fill-Trol Package Tank Kit with Fittings	Amtrol	109	
	382-200-425	Fill-Trol Package Tank Kit with Fittings	Amtrol	110	

## GV Series 3 Jackets



85642

Fig. No.	Part No.	Description	Boiler Size	Notes
	569-928-025	Jacket Hardware	All	
1	422-200-146	Jacket Panel, Top	3 & 4	
1	422-200-150	Jacket Panel, Top	5 & 6	
2	422-200-140	Jacket Panel, Front (order front pocket, if required)	All	
	422-200-139	Jacket Panel, Front Pocket (order with item 2, if required)	All	
3	422-200-234	Jacket Panels, left and right side	3 & 4	
3	422-200-236	Jacket Panels, left and right side	5 & 6	
4	422-200-230	Jacket Panel, Access	All	
5		Jacket Panels, left and right side (see figure # 3)	3 & 4	
5		Jacket Panels, left and right side (see figure # 3)	5 & 6	
6	422-200-135	Jacket Panel, Rear	All	
7	422-200-232	Top Rail Brace	All	
8	422-200-137	Top Rail Cross Tie	All	
9	422-200-228	Jacket Panel, Interior	All	
10		Base Rail Assembly – See Boiler Parts List for Components (PG.3)		
	592-000-000	Gold Touch Up Paint	All	

# GV Series 3 Ignition Controls

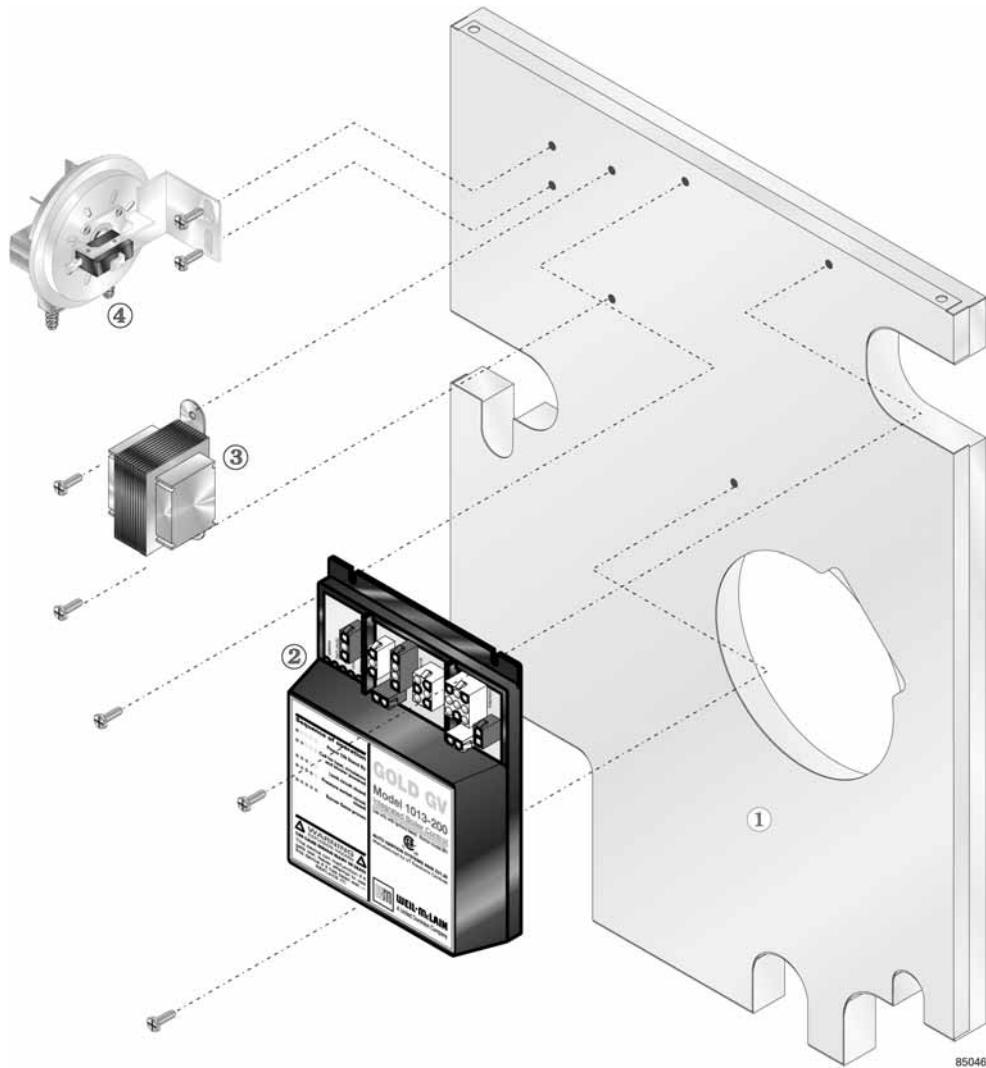


Fig. No.	Part No.	Description	Mfr.	Mfr.'s Part No.	Notes
2	382-200-448	Gold Module Conversion Kit	UT	1013-200	
3	511-842-370	Control Transformer, 120/24 Volt with Plug-In Connectors	Honeywell	AT140B1297	
3	511-842-370	Control Transformer, 120/24 Volt with Plug-In Connectors	Basler	BE111640GDD	
3	511-842-370	Control Transformer, 120/24 Volt with Plug-In Connectors	Products Unlimited	4000-01V18R223	
4	511-624-520	Air Pressure Switch (0-5500' Elevation)	Tridelta	FS6330-527	
5	591-391-821	Wiring Harness, Control Module to Junction Box	Weil-McLain		
6	591-391-819	Wiring Harness, Control Module to Hot Surface Igniter	Weil-McLain		
7	591-391-824	Wiring Harness, Control Module to System and By-Pass Circulators	Weil-McLain		
8	591-391-892	Wiring Harness, Control Module to Controls	Weil-McLain		