

A photograph of a roasted rack of lamb, sliced into portions, with a sprig of fresh rosemary in the foreground. The background is dark and textured. The text 'ALFRESCO KITCHEN RANGE' is overlaid in a white box.

**ALFRESCO
KITCHEN
RANGE**



ALFRESCO KITCHENS

NEW - ALFRESCO KITCHENS BY PRINCIPAL

Whether you're looking for a holiday getaway in your backyard or an entertainer's dream area, the new Alfresco Kitchen range from Principal will make it happen.

Take advantage of the many options including a beverage fridge and a variety of cabinet configurations, we make sure you can have all the creature comforts brought out doors with you.

Designed and manufactured from hard wearing materials that are water resistant ensure your Alfresco Kitchen will still be looking good even after many years of cooking and entertaining.

Featuring Australian made cabinets, premium Häfele hardware and Australian manufactured compact laminate benchtops and doors, the range is durable, antibacterial, water resistant and hard wearing.

With two door colours and four Benchtop colours to choose from, your Alfresco Kitchen can make a statement or sit unassumingly within your Alfresco area.

From morning to night, a family dinner or large gathering, the Alfresco kitchen is ready for it all.

www.principalkitchens.com.au

Principal. Kitchens



GOOSENECK MIXER TAP
PULL OUT NOZZLE
 > Features: Stainless Steel
4 Star WELS
Rating 7 litres per minute



FLAT PLATE BBQ
HEATLIE 600 OR 850
 > Features: Flame failure as standard
Auto ignition
Fully assembled
LPG or Natural gas options
Hood and grill plate options available
Made in Australia

SINGLE BOWL
SQUARELINE
 > Features: Single bowl
Watermark certified designer waste
Top mount fixing clips
32L bowl capacity



> High quality Salice European hinges with adaptor for soft close function

> Drawers with soft close function as standard



BEVERAGE FRIDGE
60CM OUTDOORS
 > Material: Stainless Steel 304 with glass
 > Features: Triple glazed heated glass door to prevent condensation. Single Zone, 118L capacity
IPX4 Outdoor rating
Internal LED strip lighting
Electronic controls
Temperature range 0-10°C Tropical rating:
Ambient temp up to 43°C



MADE IN GERMANY
CLEANING AGENT
SINK PULL OUT UNIT
 > Features: Base mounted, under sink pull out unit. All plastic elements are detachable for easy cleaning and are dishwasher safe. One piece base with streamlined wire surround.
 > Material: Steel frame and runner, steel and plastic modular elements



MADE IN GERMANY
TANDEM 30
2 X 15 LITRE CAPACITY
 > Material: Bin holder mounting components and runners: steel
Lid and pails: Plastic
 > Features: Designed to be withdrawn from the cabinet whilst the lid lifts and remains in the cabinet
The frame incorporates its own runners and is secured to the carcass base

BENCHTOP COLOUR RANGE

AUSTRALIAN MANUFACTURED COMPACT LAMINATE

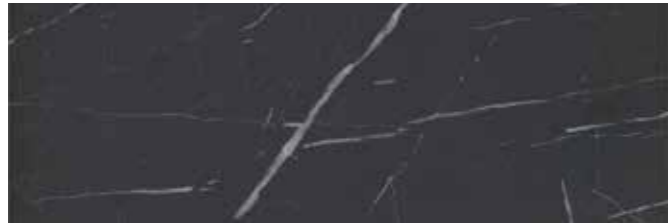
Compact 12 mm Laminate is durable, antibacterial, water resistant and hard wearing. Benchtops available in 4 colours, Calcutta Grey, White Cement, Catalina Marble, Metallic Texture



CALCUTTA GREY



WHITE CEMENT



CATALINA MARBLE



METALLIC TEXTURE

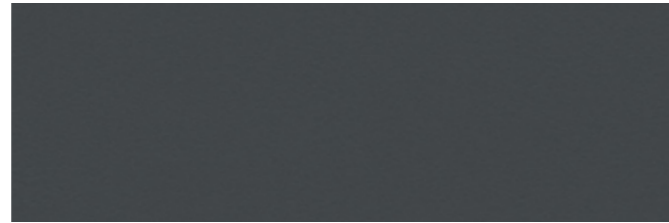
DOOR COLOUR RANGE

AUSTRALIAN MANUFACTURED COMPACT LAMINATE

Compact Laminate is durable, antibacterial, water resistant and hard wearing. Doors available in 2 colours, Black and Charcoal



BLACK



CHARCOAL



PLANNING AND INSTALLATION

When planning your Alfresco Kitchen the following points need to be considered.

- The positioning of the Alfresco Kitchen must be undercover. Avoid direct sunlight and weather. The materials used are resistant to weather but prolonged exposure to the weather will cause permanent damage.
- Our Alfresco Kitchen has compact laminate door and drawer fronts and compact laminate benchtops so if the Alfresco Kitchen will be installed on an elevated deck or balcony the integrity and load capacity of the structure is paramount. Engage a Qualified Trades person or Engineer to ensure the structure can support this additional weight.
- If the Alfresco Kitchen will be backing onto a wall, the wall material must be non-combustible, i.e. Cement Sheet (Blue board), Masonry/brick
- Plan any outdoor power outlets and have installed prior to your Alfresco Kitchen installation, particularly if a Beverage Fridge or Outdoor Canopy will be installed.
- If a hood upgrade is required please note this must be purchased together with the Alfresco Kitchen as deeper bench-tops and end panels are required to allow the hood to open.
- If a grill plate upgrade is required please note this must be purchased at the time of the Alfresco Kitchen and the BBQ will be supplied with the grill plate in lieu of the flat plate.

USE OUTDOORS ONLY

This appliance shall only be used in an above ground open-air situation with natural ventilation, without stagnant areas, where gas leakage and products of combustion are rapidly dispersed by wind and natural convection. Any outdoor enclosure in which the appliance is used shall comply with one of the following:

- An enclosure with wall on all sides, but at least one permanent opening at ground level and no overhead cover. See Figure 1.
- Within a partial enclosure that includes an overhead cover and no more than two walls. See Figure 2 & 3.
- Within a partial enclosure that includes an overhead cover and more than two walls, the following shall apply: At least 25% of the total wall area is completely open and unrestricted. See Figure 4 & 5. At least 30% of the remaining wall area is open and unrestricted. See Figure 4 & 5.
- In the case of balconies, at least 20% of the total of the side, back and front wall areas shall be and remain open and unrestricted.

The following diagrams provide a diagrammatic representation of outdoor areas. Rectangular areas have been used in these figures - the same principles apply to any other shaped area.

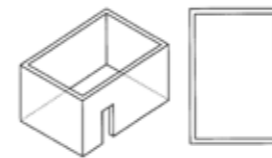


Figure 1: Enclosure with walls on all sides but no overhead cover

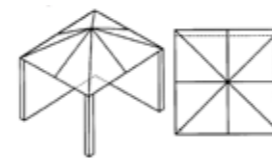


Figure 2: Partial enclosure with overhead cover and no more than two walls

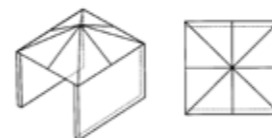


Figure 3: Partial enclosure with overhead cover and no more than two walls

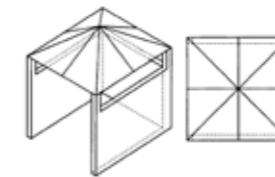


Figure 4: Open side at least 25% of total wall area. 30% or more in total of the remaining wall area is open and unrestricted.

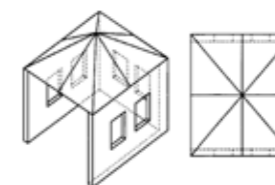


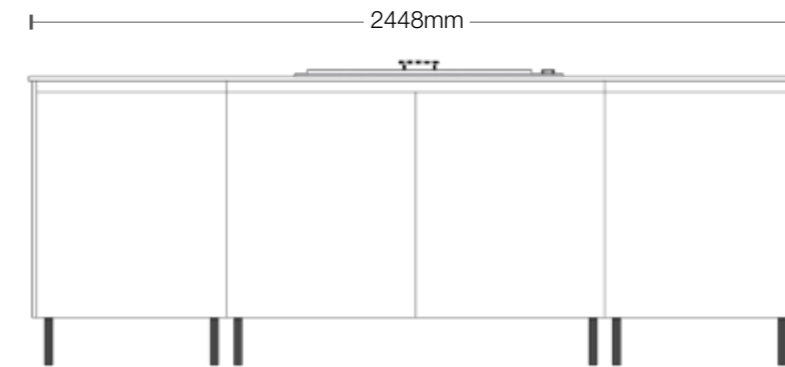
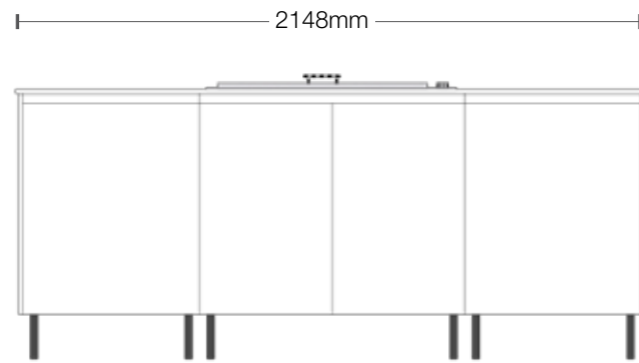
Figure 5: Open side at least 25% of total wall area. 30% or more in total of the remaining wall area is open and unrestricted.





CONFIGURATIONS VERSION 1 900MM

CONFIGURATIONS VERSION 1 1200MM



900MM BBQ CABINET SET

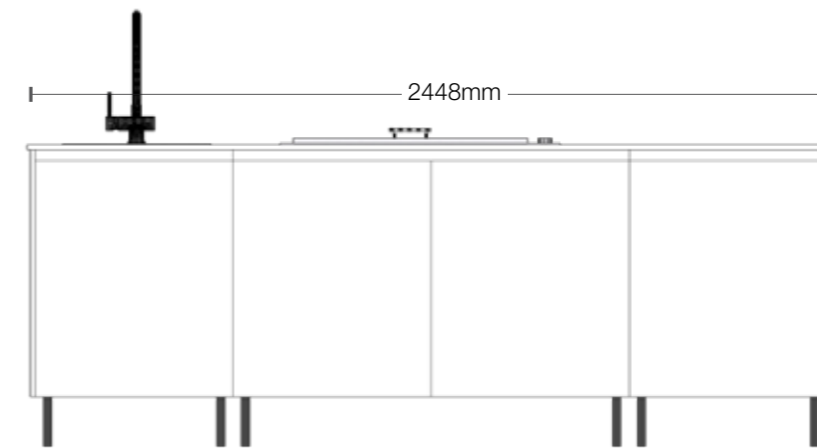
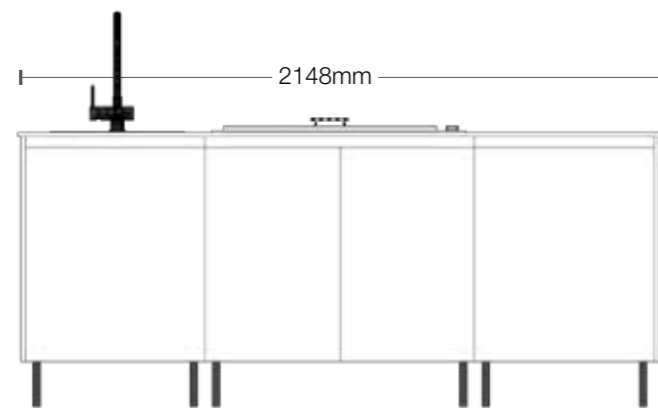
1200MM BBQ CABINET SET

Description	Calcutta Grey	White Cement	Catalina Marble	Metallic Texture
Charcoal	561.16.030	561.16.060	561.16.031	561.16.090
Black	561.16.043	561.16.045	561.16.044	561.16.046

Description	Calcutta Grey	White Cement	Catalina Marble	Metallic Texture
Charcoal	561.16.035	561.16.036	561.16.037	561.16.038
Black	561.16.051	561.16.053	561.16.052	561.16.054

Cabinets included: Cabinet with shelf, 900mm BBQ Cabinet, Gas Bottle Cabinet

Cabinets included: Cabinet with Shelf, 1200mm BBQ Cabinet, Gas bottle Cabinet



Sink and tap must be purchased separately.

Sink and tap must be purchased separately.

900MM BBQ CABINET SET WITH SINK & TAP CUT OUT LH

1200MM BBQ CABINET SET WITH SINK & TAP CUT OUT LH

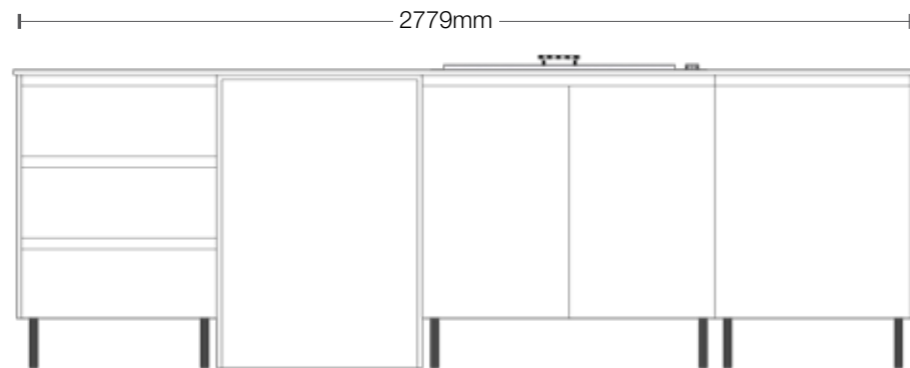
Description	Calcutta Grey	White Cement	Catalina Marble	Metallic Texture
Charcoal	561.16.032	561.16.061	561.16.033	561.16.034
Black	561.16.047	561.16.049	561.16.048	561.16.050

Description	Calcutta Grey	White Cement	Catalina Marble	Metallic Texture
Charcoal	561.16.039	561.16.041	561.16.040	561.16.042
Black	561.16.055	561.16.056	561.16.057	561.16.059

Cabinets included: Cabinet with Shelf, 900mm BBQ Cabinet, Gas Bottle Cabinet

Cabinets included: Cabinet with Shelf, 1200mm BBQ Cabinet, Gas Bottle Cabinet

CONFIGURATIONS VERSION 2 900MM & 1200MM

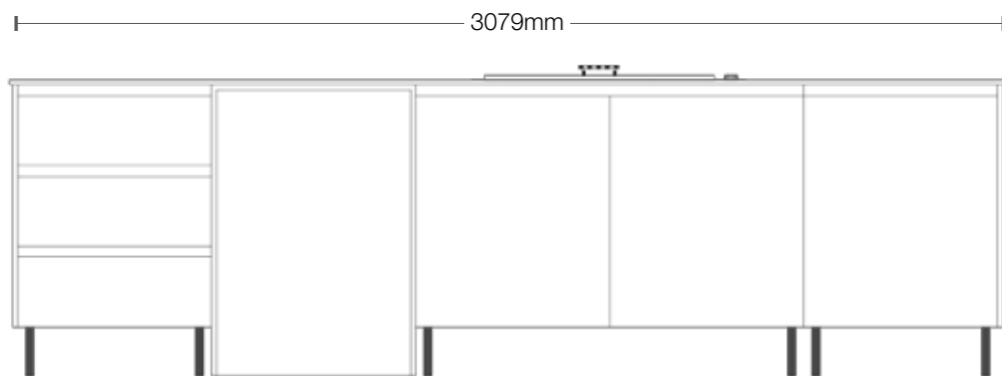


900MM BBQ CABINET SET

Description	Calcutta Grey	White Cement	Catalina Marble	Metallic Texture
Charcoal	561.16.058	561.16.063	561.16.062	561.16.064
Black	561.16.069	561.16.070	561.16.072	561.16.071

Cabinets included: Drawer Cabinet, Fridge Cabinet, 900mm BBQ Cabinet, Gas Bottle Cabinet

Version 2 available with sink and tap cabinet in place of the drawer cabinet



1200MM BBQ CABINET SET

Description	Calcutta Grey	White Cement	Catalina Marble	Metallic Texture
Charcoal	561.16.065	561.16.066	561.16.067	561.16.068
Black	561.16.073	561.16.074	561.16.075	561.16.076

Cabinets included: Drawer Cabinet, Fridge Cabinet, 1200mm BBQ Cabinet, Gas Bottle Cabinet

Version 2 available with sink and tap cabinet in place of the drawer cabinet



ISLAND GOURMET ELITE BY HEATLIE

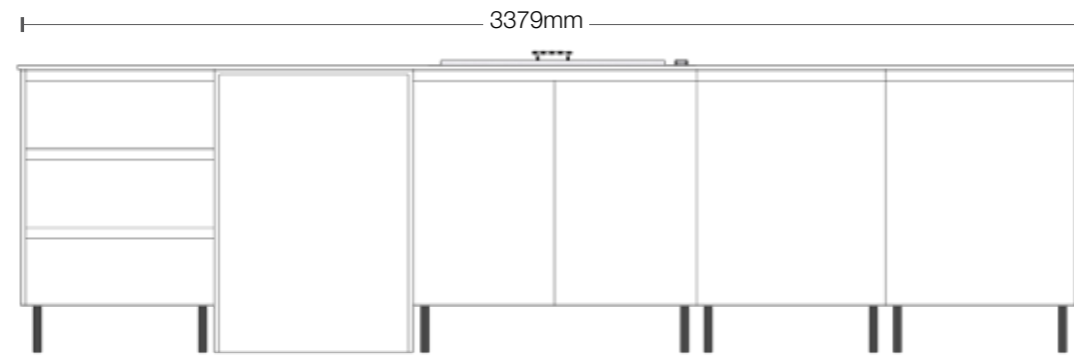
The Island Gourmet Elite is Heatlie's Australian made, outdoor kitchen BBQ solution. Drop this built-in BBQ into your benchtop with minimal fuss and start entertaining your friends and family with ease. The Island Gourmet Elite comes in two sizes, the 600 and the 850, and has some serious versatility.

Sitting level with minimal obstruction, this outdoor kitchen BBQ features innovative Zero Clearance technology that allows for the barbecue to be built into any outdoor benchtop, including combustible materials (a first of its kind!). This leads to a stylish look that is cohesive with any design aesthetic whilst providing you with a high-quality Alfresco cooking experience.

FEATURES

- Sleek and stylish flat plate design
- Perfect for outdoor alfresco areas
- Almost no assembly, just drop in and start cooking
- Flat lid and handle included to protect plate
- Exceptional power and even heat coverage
- Handy plate lifting tool for easy cleaning
- Hood and grill plate upgrade available
- 10-year manufacturer's warranty*

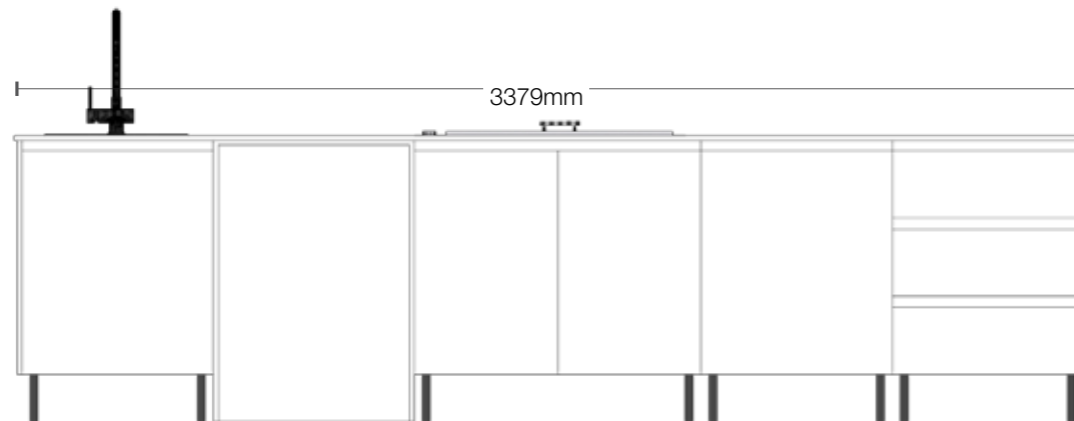
CONFIGURATIONS VERSION 3 900MM



900MM BBQ CABINET SET

Description	Calcutta Grey	White Cement	Catalina Marble	Metallic Texture
Charcoal	561.16.077	561.16.078	561.16.080	561.16.079
Black	561.16.102	561.16.104	561.16.103	561.16.105

Cabinets included: Drawer Cabinet, Fridge Cabinet, 900mm BBQ Cabinet, Gas Bottle Cabinet, Cabinet with Shelf

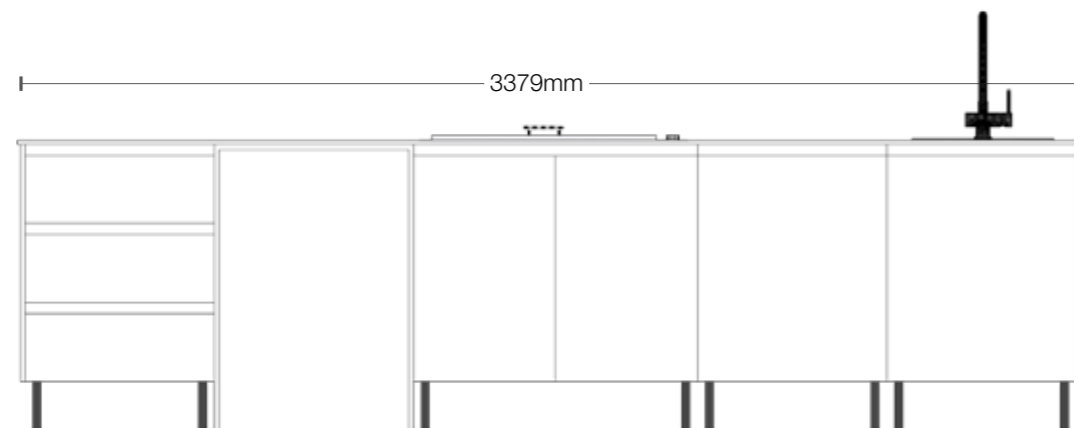


Sink and tap must be purchased separately.

900MM BBQ CABINET SET WITH SINK & TAP CUT OUT LH

Description	Calcutta Grey	White Cement	Catalina Marble	Metallic Texture
Charcoal	561.16.081	561.16.082	561.16.084	561.16.083
Black	561.16.106	561.16.107	561.16.108	561.16.110

Cabinets included: Cabinet with Shelf, Fridge Cabinet, 900mm BBQ Cabinet, Gas Bottle Cabinet, Drawer Cabinet



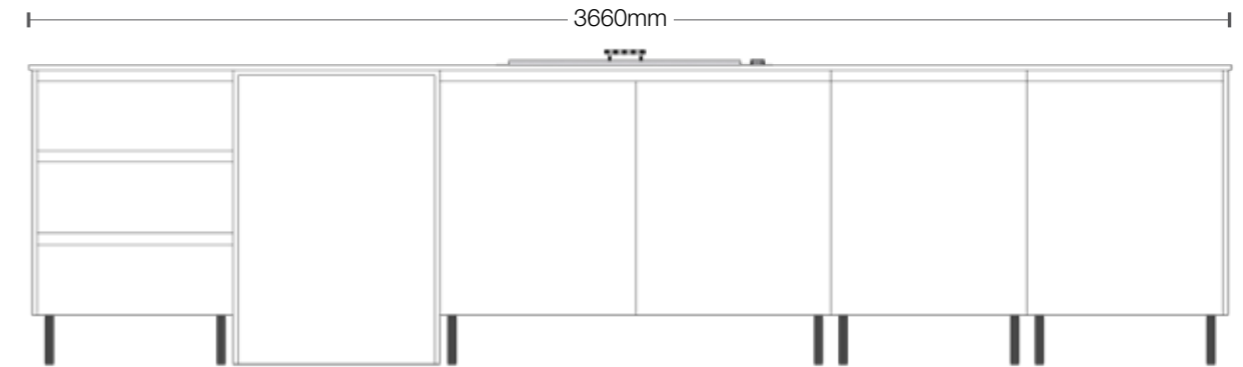
Sink and tap must be purchased separately.

900MM BBQ CABINET SET WITH SINK & TAP CUT OUT RH

Description	Calcutta Grey	White Cement	Catalina Marble	Metallic Texture
Charcoal	561.16.085	561.16.087	561.16.086	561.16.088
Black	561.16.109	561.16.112	561.16.111	561.16.113

Cabinets included: Drawer Cabinet, Fridge Cabinet, 900mm BBQ Cabinet, Gas Bottle Cabinet, Cabinet with Shelf

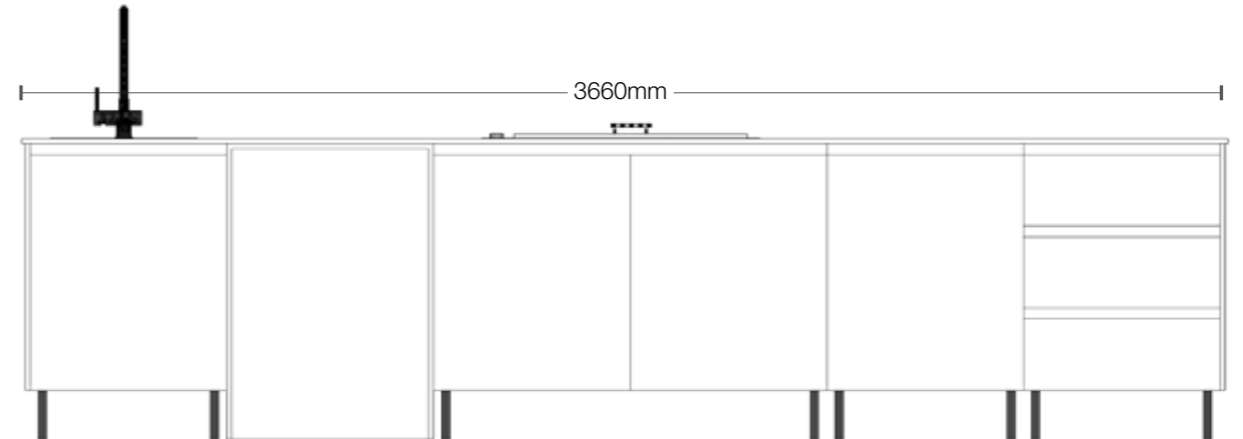
CONFIGURATIONS VERSION 3 1200MM



1200MM BBQ CABINET

Description	Calcutta Grey	White Cement	Catalina Marble	Metallic Texture
Charcoal	561.16.089	561.16.091	561.16.092	561.16.093
Black	561.16.114	561.16.115	561.16.116	561.16.118

Cabinets included: Drawer Cabinet, Fridge Cabinet, 1200mm BBQ Cabinet, Gas Bottle Cabinet, Cabinet with Shelf

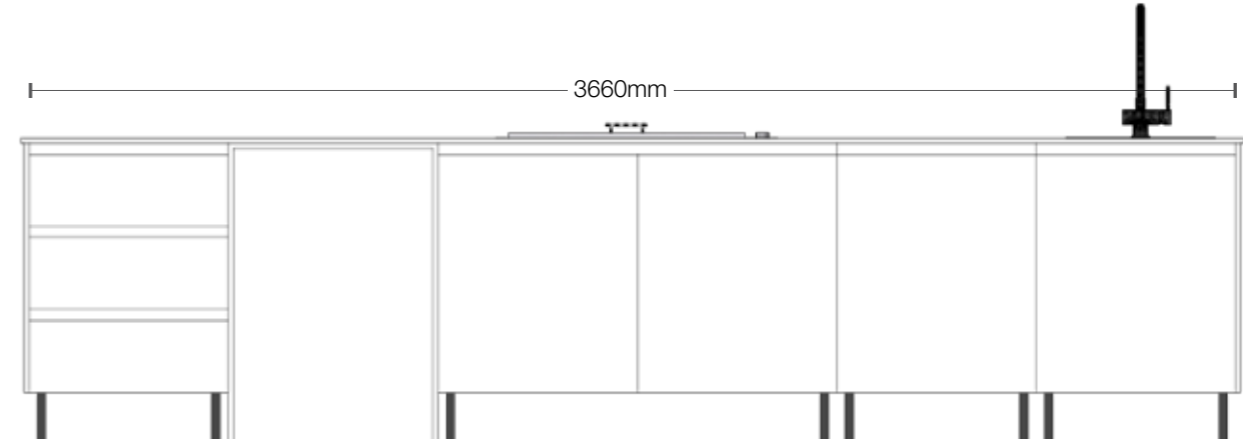


Sink and tap must be purchased separately.

1200MM BBQ CABINET SET WITH SINK & TAP CUT OUT LH

Description	Calcutta Grey	White Cement	Catalina Marble	Metallic Texture
Charcoal	561.16.094	561.16.096	561.16.095	561.16.098
Black	561.16.117	561.16.119	561.16.120	561.16.122

Cabinets included: Cabinet with Shelf, Fridge Cabinet, 1200mm BBQ Cabinet, Gas Bottle Cabinet, Drawer Cabinet



Sink and tap must be purchased separately.

1200MM BBQ CABINET SET WITH SINK & TAP CUT OUT RH

Description	Calcutta Grey	White Cement	Catalina Marble	Metallic Texture
Charcoal	561.16.097	561.16.099	561.16.100	561.16.101
Black	561.16.121	561.16.124	561.16.123	561.16.125

Cabinets included: Drawer Cabinet, Fridge Cabinet, 1200mm BBQ Cabinet, Gas Bottle Cabinet, Cabinet with Shelf





ALFRESCO ACCESSORIES

**120CM OUTDOOR BOX CANOPY RANGEHOOD****ART. NO. 539.80.159**

- Stainless Steel 304
- Airflow 2000 m3/hr
- 6 rotatable LED lights
- 3 speed push button control
- 8 dishwasher safe baffle filters

**BEVERAGE FRIDGE**

60CM OUTDOORS

ART. NO. 539.10.000

- Triple glazed heated glass door to prevent condensation
- Single Zone, 118L capacity
- IPX4 Outdoor rating
- Internal LED strip lighting
- Electronic controls
- Temperature range 0-10°C
- Tropical rated: Ambient temp up to 43°C

**SINGLE BOWL**

SQUARELINE

ART. NO. 567.33.306

- Single bowl
- Watermark certified designer waste
- Top mount fixing clips
- 32L bowl capacity

**GOOSENECK MIXER TAP**

PULL OUT NOZZLE

ART. NO. 569.41.030

- Stainless steel
- 4 Star WELS Rating
- 7 litres per minute

ALFRESCO ACCESSORIES

**CLEANING AGENT**

SINK PULL OUT UNIT

ART. NO. 549.24.912

- Base mounted, under sink pull out unit
- All plastic elements are detachable for easy cleaning and are dishwasher safe
- One piece base with streamlined wire surround.

**TANDEM 30**

2 X 15 LITRE CAPACITY

ART. NO. 502.70.252

- Designed to be withdrawn from the cabinet whilst the lid lifts and remains in the cabinet
- The frame incorporates its own runners and is secured to the carcass base

**SURFACE CLEANER**

SUPER MATTE LAMINATE CLEANER

ART. NO. 007.32.053

- Cleans Super Matte leaving it Fingerprint and streak free
- Cleans safely and is biodegradable
- Environmentally friendly
- A good quality Specialist Cleaner is necessary to keep this surface free from fingerprints watermarks etc

**STAINLESS STEEL CUTLERY TRAY**

FOR HÄFELE ALTO DRAWER

ART. NO. 554.98.072

- Suitable for Häfele Alto drawers with a depth of 500mm
- Cutlery tray configurations will not fit the entire drawer width, but have been designed to provide a space left or right of the tray for long utensils

Principal.
Kitchens