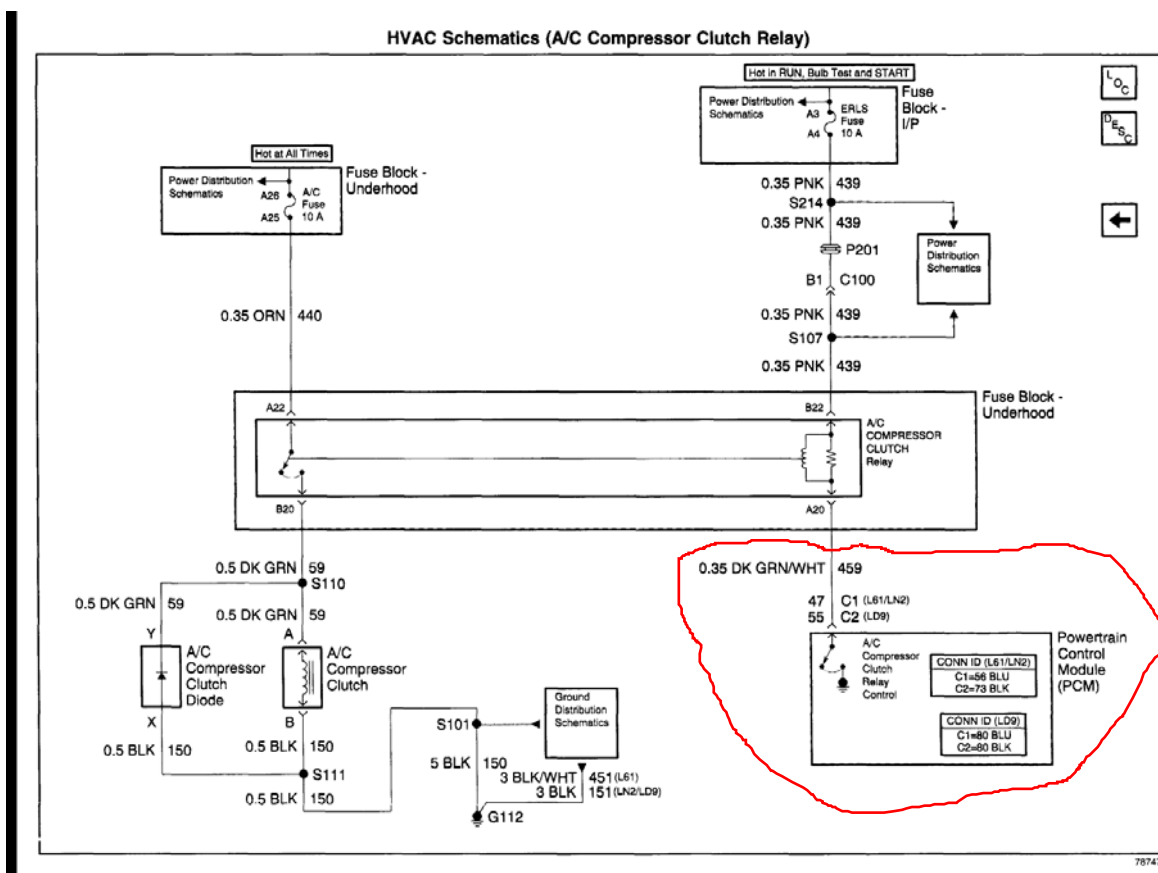


# CANOPI.ME

Home Category

Home » Wiring Diagrams » 2002 Pontiac Sunfire Wiring Diagram

## 2002 PONTIAC SUNFIRE WIRING DIAGRAM



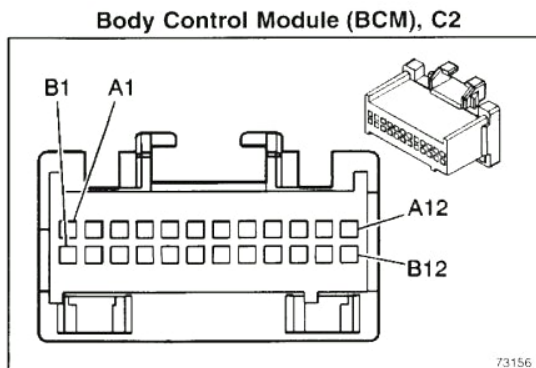
### Troubleshooting The 2002 Pontiac Sunfire A C System Problem And Wiring Diagram

On this website we recommend many images about **2002 Pontiac Sunfire Wiring Diagram** that we have collected from various sites from many image inspiration, and of course what we recommend is the most excellent of image for **wiring diagram for 2002 pontiac sunfire** . If you like the image on our website, please do not hesitate to visit again and get inspiration from all the houses in the image of our web image.

And if you want to see more images, we recommend the gallery below. You can see

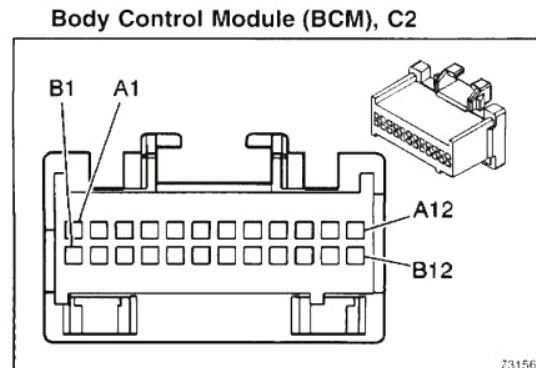
the picture as a reference image from your **2002 Pontiac Sunfire Wiring Diagram**.

Thank you for seeing gallery of 2002 Pontiac Sunfire Wiring Diagram, we would be very happy if you come back.



73156

| Connector Part Information |            | <ul style="list-style-type: none"> <li>• 12110088</li> <li>• 24-Way F Micro-Pack 100 Series (GRY)</li> </ul> |  |
|----------------------------|------------|--|--|
| Pin                        | Wire Color | Circuit No.  | Function   |
| A1                         | —          | —  | Not Used   |
| A2                         | WHT        | 682  | Door Lock Lock/Unlock Signal                       |
| A3                         | YEL/BLK    | 1138   | DRL Ambient Light Sensor Low Reference             |
| A4                         | —          | —  | Not Used   |
| A5                         | PNK        | 1200   | Headlamp High Beam Signal                          |
| A6                         | BLK        | 1835   | Security System Sensor Low Reference-Domestic Only |
| A7                         | BLK        | 1576   | Trunk Release Switch Signal                        |
| A8                         | LT GRN     | 696  | Cruise Control Cancel Signal-Oldsmobile Only       |
| A9                         | LT BLU     | 1134   | Park Brake Switch Signal                           |
| A10-A11                    | —          | —  | Not Used   |
| A12                        | PNK/BLK    | 1379   | Oil Life/TPM Reset Switch Signal                   |
| B1                         | ORN        | 1732   | Courtesy Lamps Supply Voltage                      |
| B2                         | LT GRN/BLK | 1137   | DRL Ambient Light Sensor Signal                    |
| B3                         | —          | —  | Not Used   |
| B4                         | DK BLU     | 1201   | Headlamp Low Beam Signal                           |
| B5                         | —          | —  | Not Used   |



73156

| Connector Part Information |            | <ul style="list-style-type: none"> <li>• 12110088</li> <li>• 24-Way F Micro-Pack 100 Series (GRY)</li> </ul> |  |
|----------------------------|------------|--|--|
| Pin                        | Wire Color | Circuit No.  | Function                               |
| B6                         | YEL        | 1836   | Security System Sensor Signal-Domestic |
|                            | —          | —  | Not Used-Export                        |
| B7                         | LT BLU     | 187  | Rear Fog Lamp Switch Signal-Export     |
|                            | —          | —  | Not Used-Domestic                      |
| B8                         | BRN        | 9  | Park Lamp Supply Voltage               |
| B9                         | PNK        | 439  | Ignition 1 Voltage                     |
| B10                        | LT BLU     | 395  | Passenger Door Ajar Switch Signal      |
| B11                        | BLK/WHT    | 238  | Seat Belt Switch - Left                |
| B12                        | LT GRN     | 80   | Key In Ignition Switch Signal          |

**Unique Radio Wiring Diagram 2005 Pontiac Sunfire Chevy 1500 New 2002**

### 1996 J-BODY WIRING SCHEMATIC

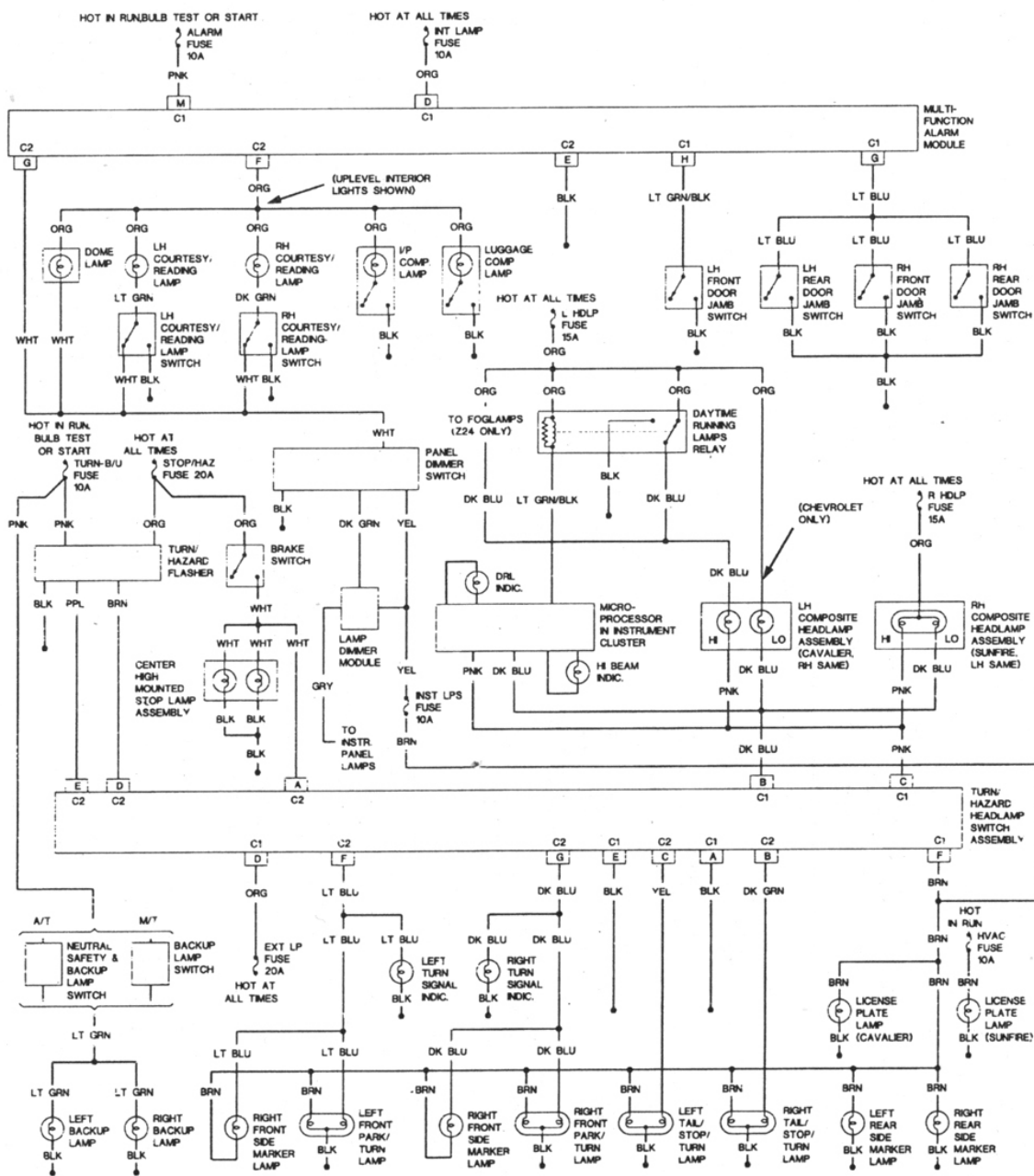
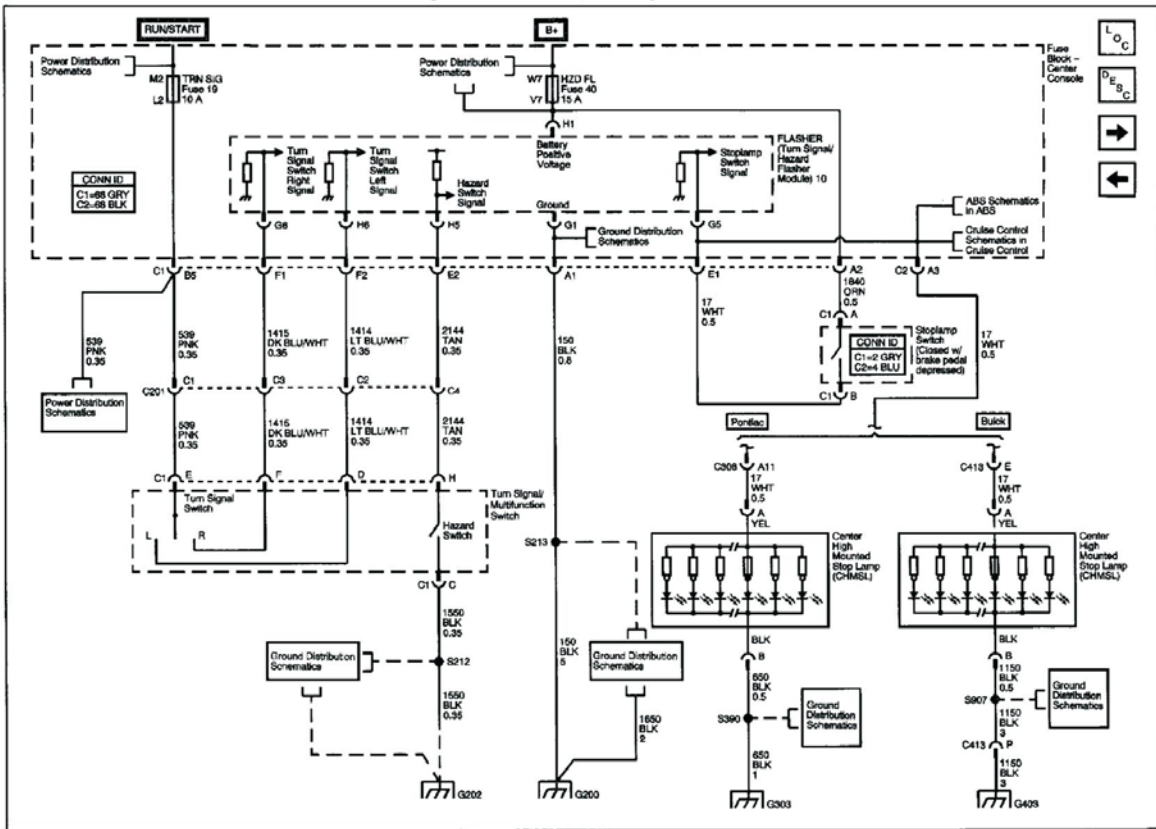


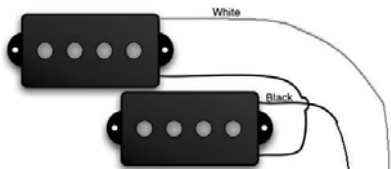
DIAGRAM 12

91146T08

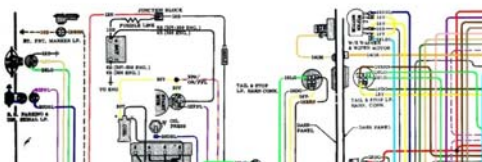
Repair Guides Wiring Diagrams AutoZone Com With 2002 Pontiac Sunfire Diagram



2000 Pontiac Sunfire Wiring Diagram Fuse Box Auto Genius Rear Throughout 2002



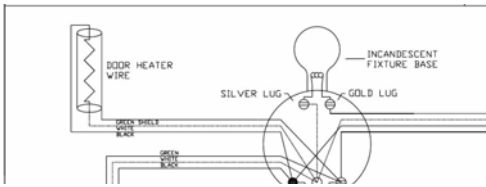
Ibanez Bass Guitar Wiring Diagram



1974 Chevy Truck Wiring Diagram

| Connector | Pin # | Description / Signal            | Connection           | Wire Color | Wiring Gauge | Function Abbreviation | Connector | Pin |
|-----------|-------|---------------------------------|----------------------|------------|--------------|-----------------------|-----------|-----|
| X11175    | 1     | Ground                          | Ground Connector     | BLK/W      | 0.5          | 2142                  | X11175    | 1   |
| X11175    | 2     | Signal battery charge indicator | Engine and connector | B          | 0.5          | 1414, 1415            | X11175    | 2   |
| X11175    | 3     | Engine Start signal Feedback    | Connector Voltage    | SW/GRN     | 0.5          | 1, 300                | X11175    | 3   |
| X11175    | 4     | Terminal 30                     | Fuse F42             | RT/GRN     | 0.5          | 3043                  | X11175    | 4   |
| X11175    | 5     | Terminal 31                     | Fuse F43             | GRN        | 0.5          | 3044                  | X11175    | 5   |

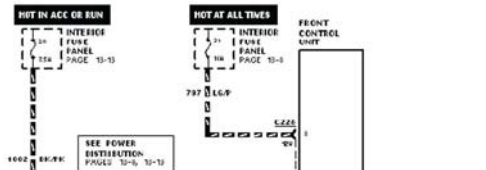
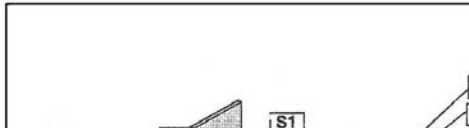
E46 M3 Wiring Diagram



Walk In Freezer Defrost Timer Wiring Diagram

1989 - 1994 EZGO Pre-Medalist with Curtis 12

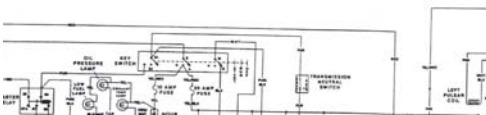
1987 Ez Go Golf Cart Wiring Diagram



1987 Ford Ranger Radio Wiring Diagram

ICE MANUAL

Simplicity Regent Wiring Diagram

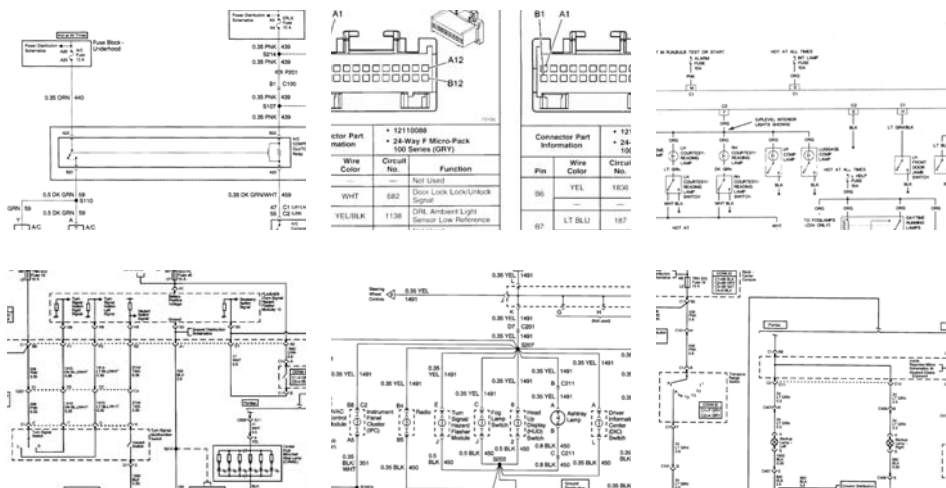


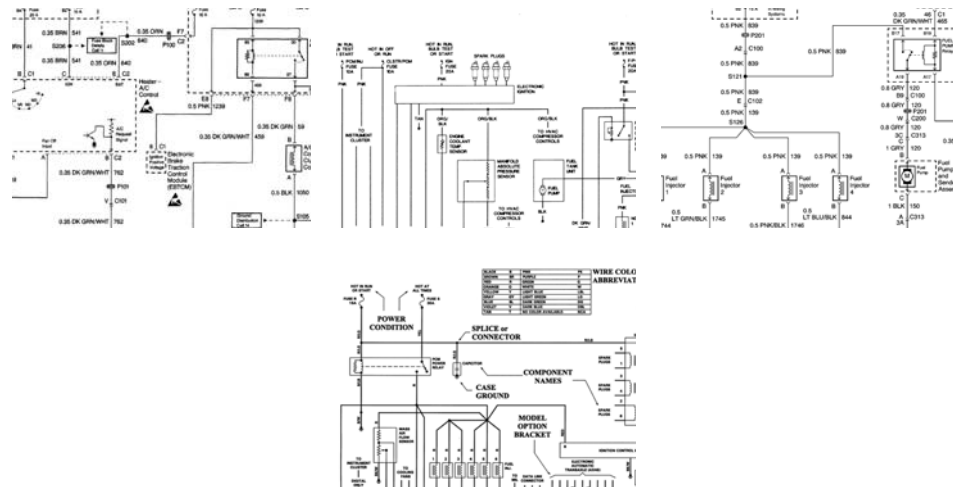
Prev

### 2002 PONTIAC SUNFIRE WIRING DIAGRAM

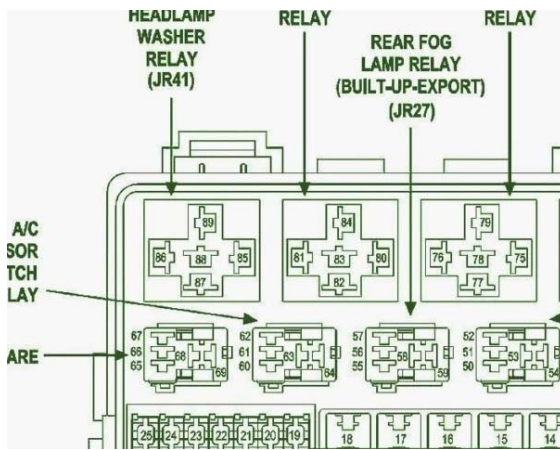
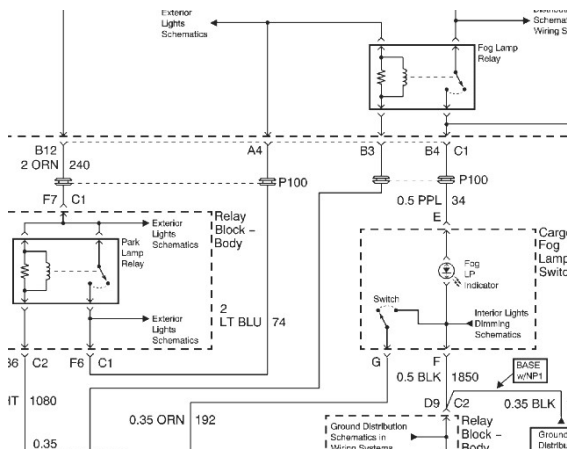
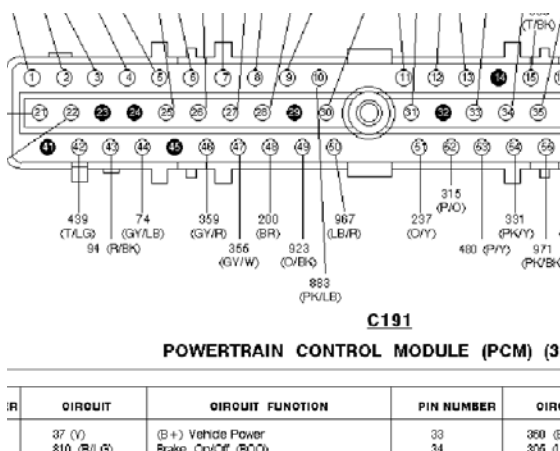
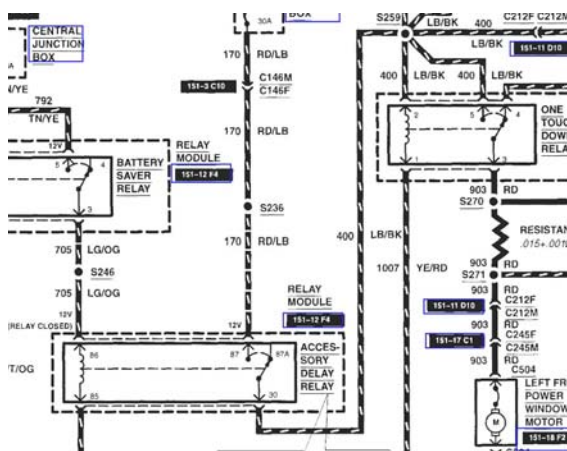
Next

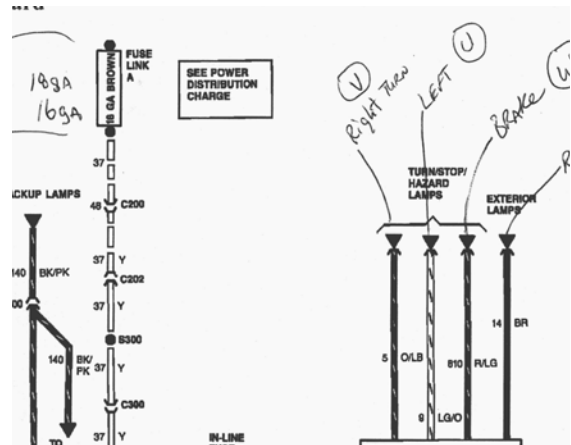
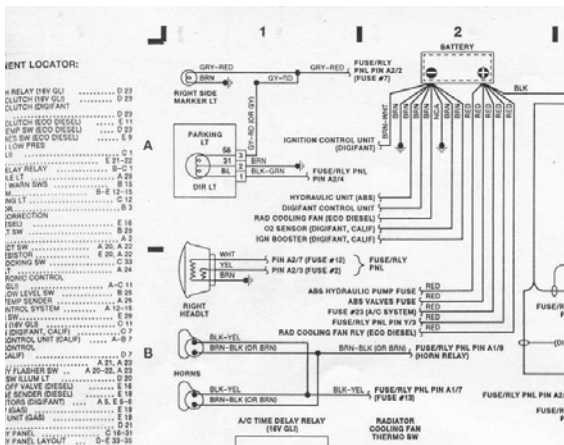
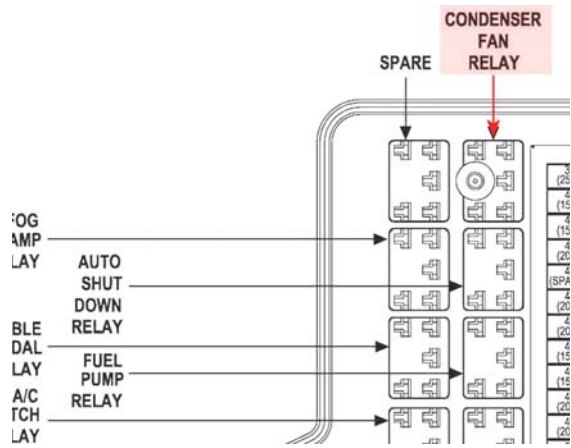
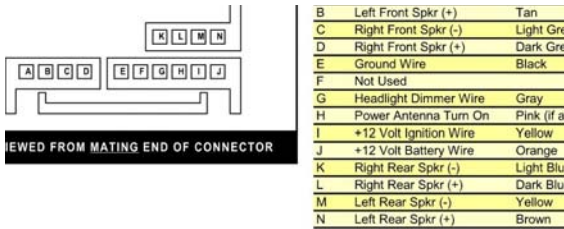
## GALLERY OF 2002 PONTIAC SUNFIRE WIRING DIAGRAM





**RELATED POST FROM 2002 PONTIAC SUNFIRE WIRING DIAGRAM**

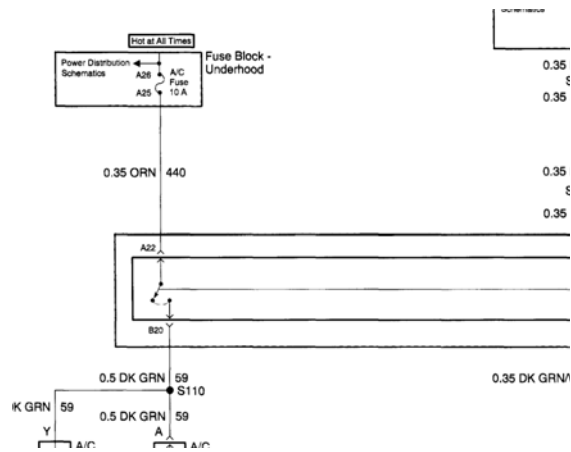


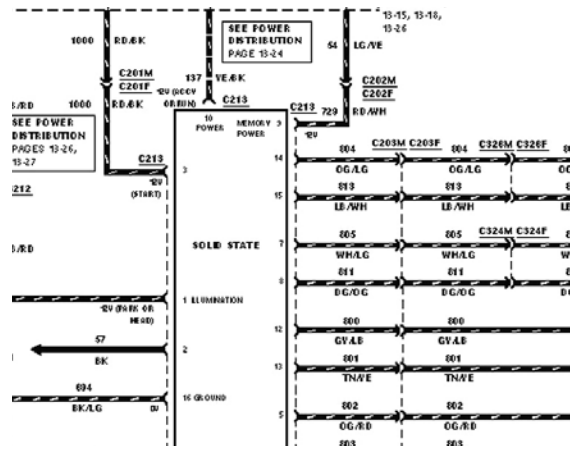
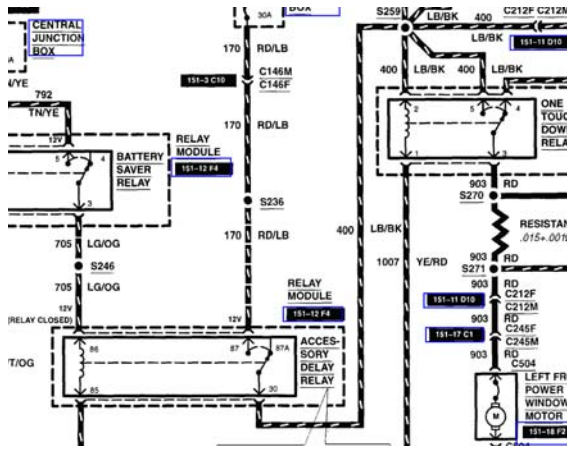


# WIRING

## TABLE OF CONTENTS

|                             |         |                               |
|-----------------------------|---------|-------------------------------|
| WIRING DIAGRAM INFORMATION  | 8W-01-1 | REAR WINDOW DEFROSTER         |
| WIRING INDEX                | 8W-02-1 | OVERHEAD CONSOLE              |
| POWER DISTRIBUTION MODULE   | 8W-13-1 | FRONT LIGHTING                |
| POWER DISTRIBUTION          | 8W-15-1 | REAR LIGHTING                 |
| COMMUNICATIONS              | 8W-18-1 | TURN SIGNALS                  |
| IGNITION SYSTEM             | 8W-20-1 | WIPERS                        |
| IGNITION SYSTEM             | 8W-21-1 | TRAILER TOW                   |
| TRANSMISSION CONTROL SYSTEM | 8W-30-1 | NAVIGATION/TELECOMMUNICATIONS |
| CRUISE SPEED CONTROL        | 8W-31-1 | POWER WINDOWS                 |
| ANTI-LOCK BRAKES            | 8W-33-1 | POWER DOOR LOCKS              |
| ANTI-LOCK BRAKES            | 8W-34-1 | POWER MIRRORS                 |
| ANTI-LOCK BRAKES            | 8W-35-1 | POWER SEAT                    |





[Privacy Policy](#) [About](#) [Earnings Disclaimer](#) [Contact US](#) [Terms of Use](#)

© 2018 canopi.me.