

2007 YARIS ELECTRICAL WIRING DIAGRAM

	Section Code	Page
INTRODUCTION	A	2
HOW TO USE THIS MANUAL	B	3
TROUBLESHOOTING	C	12
ABBREVIATIONS	D	17
GLOSSARY OF TERMS AND SYMBOLS	E	18
RELAY LOCATIONS	F	20
ELECTRICAL WIRING ROUTING	G	46
SYSTEM CIRCUITS	H	67
GROUND POINT	I	244
POWER SOURCE (Current Flow Chart)	J	252
CONNECTOR LIST	K	258
PART NUMBER OF CONNECTORS	L	276
OVERALL ELECTRICAL WIRING DIAGRAM .	M	280

A INTRODUCTION

This manual consists of the following 13 sections:

No.	Section	Description
A	INDEX	Index of the contents of this manual.
	INTRODUCTION	Brief explanation of each section.
B	HOW TO USE THIS MANUAL	Instructions on how to use this manual.
C	TROUBLE-SHOOTING	Describes the basic inspection procedures for electrical circuits.
D	ABBREVIATIONS	Defines the abbreviations used in this manual.
E	GLOSSARY OF TERMS AND SYMBOLS	Defines the symbols and functions of major parts.
F	RELAY LOCATIONS	Shows position of the Electronic Control Unit, Relays, Relay Block, etc. This section is closely related to the system circuit.
G	ELECTRICAL WIRING ROUTING	Describes position of Parts Connectors, Splice points, Ground points, etc. This section is closely related to the system circuit.
H	INDEX	Index of the system circuits.
	SYSTEM CIRCUITS	Electrical circuits of each system are shown from the power supply through ground points. Wiring connections and their positions are shown and classified by code according to the connection method. (Refer to the section, "How to use this manual"). The "System Outline" and "Service Hints" useful for troubleshooting are also contained in this section.
I	GROUND POINT	Shows ground positions of all parts described in this manual.
J	POWER SOURCE (Current Flow Chart)	Describes power distribution from the power supply to various electrical loads.
K	CONNECTOR LIST	Describes the form of the connectors for the parts appeared in this book. This section is closely related to the system circuit.
L	PART NUMBER OF CONNECTORS	Indicates the part number of the connectors used in this manual.
M	OVERALL ELECTRICAL WIRING DIAGRAM	Provides circuit diagrams showing the circuit connections.

This manual provides information on the electrical circuits installed on vehicles by dividing them into a circuit for each system.

The actual wiring of each system circuit is shown from the point where the power source is received from the battery as far as each ground point. (All circuit diagrams are shown with the switches in the OFF position.)

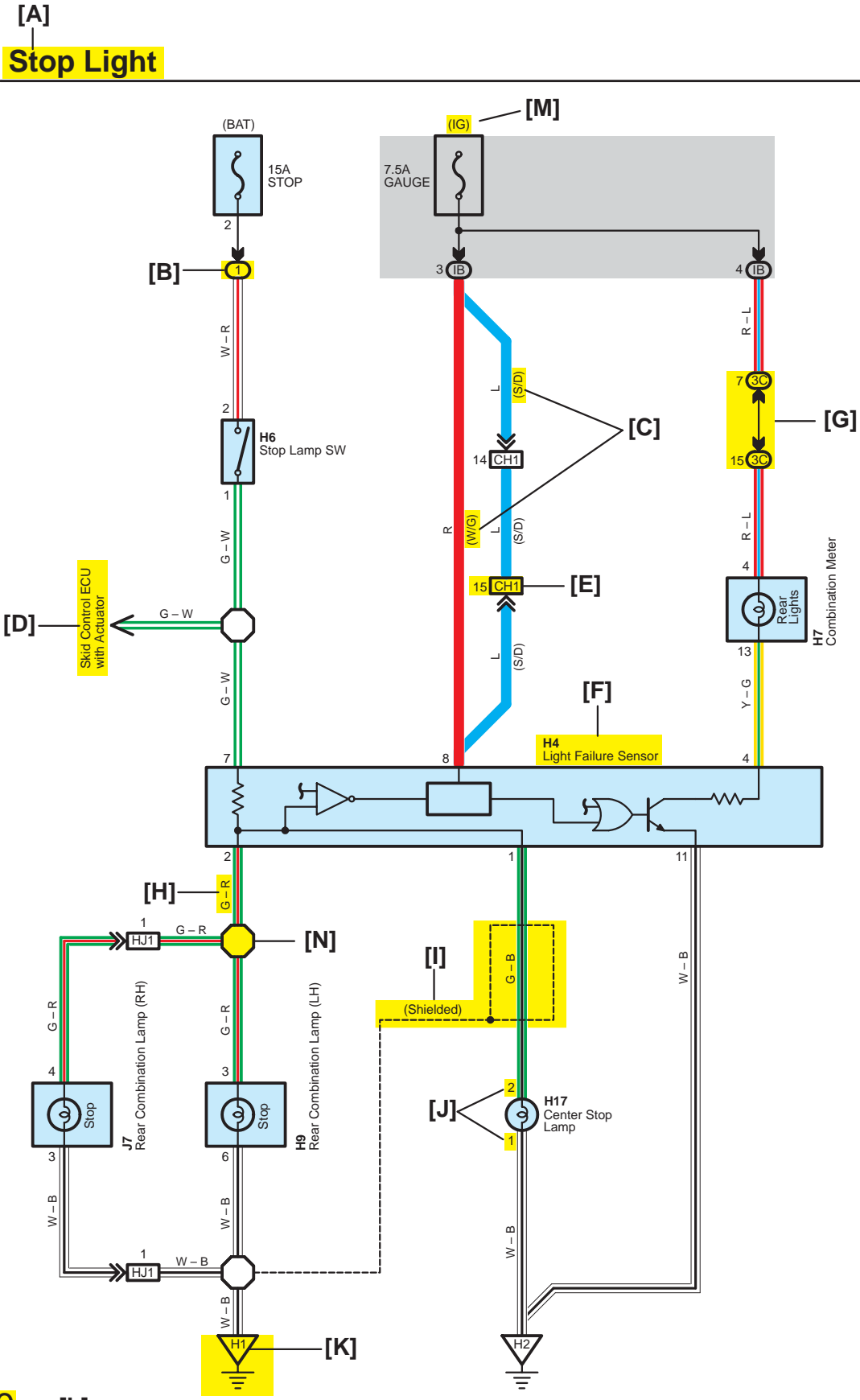
When troubleshooting any problem, first understand the operation of the circuit where the problem was detected (see System Circuit section), the power source supplying power to that circuit (see Power Source section), and the ground points (see Ground Point section). See the System Outline to understand the circuit operation.

When the circuit operation is understood, begin troubleshooting of the problem circuit to isolate the cause. Use Relay Location and Electrical Wiring Routing sections to find each part, junction block and wiring harness connectors, wiring harness and wiring harness connectors and ground points of each system circuit. Internal wiring for each junction block is also provided for better understanding of connection within a junction block.

Wiring related to each system is indicated in each system circuit by arrows (from__, to__). When overall connections are required, see the Overall Electrical Wiring Diagram at the end of this manual.

B HOW TO USE THIS MANUAL

* The system shown here is an EXAMPLE ONLY. It is different to the actual circuit shown in the SYSTEM CIRCUITS SECTION.



[A] : System Title

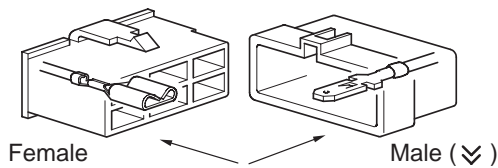
[B] : Indicates a Relay Block. No shading is used and only the Relay Block No. is shown to distinguish it from the J/B

Example: ① Indicates Relay Block No.1

[C] : () is used to indicate different wiring and connector, etc. when the vehicle model, engine type, or specification is different.

[D] : Indicates related system.

[E] : Indicates the code for the (male and female) connectors which are used to join two wire harnesses. The connector code consists of two alphabetical and one numerical characters.



The first character of the connector code indicates the alphabetical code allocated to the wire harness which has the female connector, and the second shows that of the wire harness which has the male connector.

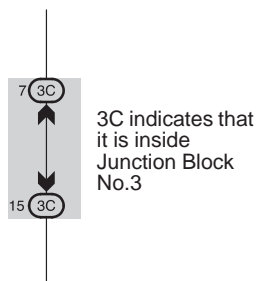
The third character indicates a serial number used to distinguish between the wire harness combinations in cases when more than one of the same combination of wire harnesses exist (e.g. CH1 and CH2).

Symbol (∇) indicates the male terminal connector. Numbers outside connector codes indicate the pin numbers of both male and female connectors.

[F] : Represents a part (all parts are shown in sky blue). The code is the same as the code used in parts position.

[G] : Junction Block (The number in the circle is the J/B No. and the connector code is shown beside it). Junction Blocks are shaded to clearly separate them from other parts.

Example:



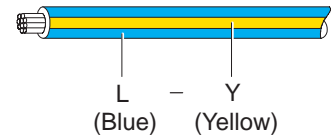
[H] : Indicates the wiring color.

Wire colors are indicated by an alphabetical code.

- B = Black W = White BR = Brown
- L = Blue V = Violet SB = Sky Blue
- R = Red G = Green LG = Light Green
- P = Pink Y = Yellow GR = Gray
- O = Orange

The first letter indicates the basic wire color and the second letter indicates the color of the stripe.

Example: L - Y



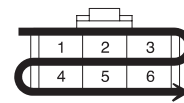
[I] : Indicates a shielded cable.



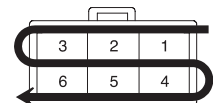
[J] : Indicates the pin number of the connector. The numbering system is different for female and male connectors.

Example: Numbered in other from upper left to lower right

Numbered in other from upper right to lower left



Female



Male

[K] : Indicates the ground point. The code consists of the two characters: A letter and number.

The first character of the code indicates the alphabetical code allocated to the wire harness. The second character indicates a serial number used to distinguish between the ground points in cases when more than one ground point exist on the same wire harness.

[L] : Page No.

[M] : Indicates the ignition key position(s) when the power is supplied to the fuse(s).

[N] : Indicates a wiring Splice Point.

Example:



B HOW TO USE THIS MANUAL

[O] System Outline

Current is applied at all times through the STOP fuse to TERMINAL 2 of the stop lamp SW.
When the ignition SW is turned on, current flows from the GAUGE fuse to TERMINAL 8 of the light failure sensor, and also flows through the rear lights warning light to TERMINAL 4 of the light failure sensor.

Stop Light Disconnection Warning

When the ignition SW is turned on and the brake pedal is pressed (Stop lamp SW on), if the stop light circuit is open, the current flowing from TERMINAL 7 of the light failure sensor to TERMINALS 1, 2 changes, so the light failure sensor detects the disconnection and the warning circuit of the light failure sensor is activated.

As a result, the current flows from TERMINAL 4 of the light failure sensor to TERMINAL 11 to GROUND and turns the rear lights warning light on. By pressing the brake pedal, the current flowing to TERMINAL 8 of the light failure sensor keeps the warning circuit on and holds the warning light on until the ignition SW is turned off.

[P] ○ : Parts Location

Code	See Page	Code	See Page	Code	See Page
H4	36	H7	36	H17	38
H6	36	H9	38	J7	38

[Q] ○ : Relay Blocks

Code	See Page	Relay Blocks (Relay Block Location)
1	18	R/B No.1 (Instrument Panel Brace LH)

[R] ○ : Junction Block and Wire Harness Connector

Code	See Page	Junction Block and Wire Harness (Connector Location)
3C	22	Instrument Panel Wire and J/B No.3 (Instrument Panel Brace LH)
IB	20	Instrument Panel Wire and Instrument Panel J/B (Lower Finish Panel)

[S] □ : Connector Joining Wire Harness and Wire Harness

Code	See Page	Joining Wire Harness and Wire Harness (Connector Location)
CH1	42	Engine Room Main Wire and Instrument Panel Wire (Left Kick Panel)
HJ1	50	Instrument Panel Wire and Floor Wire (Right Kick Panel)

[T] ▽ : Ground Points

Code	See Page	Ground Points Location
H1	50	Under the Left Center Pillar
H2	50	Back Panel Center

[O] : Explains the system outline.

[P] : Indicates reference pages showing the parts locations in the system circuit on the vehicle.

Example : Code "H4" (Light Failure Sensor) is on page 36 of the manual.

* The first character of the code indicates the alphabetical code allocated to the wire harness, and the second character indicates the serial number of the parts connected to the wire harness.

Example : H 4
 └──┬── Serial number for the connected parts
 └── Code for the wire harness

[Q] : Indicates the reference page showing the position on the vehicle of Relay Block Connectors in the system circuit.

Example : Connector "1" is described on page 18 of this manual and is installed on the left side of the instrument panel.

[R] : Indicates the reference page showing the position on the vehicle of J/B and Wire Harness in the system circuit.

Example : Connector "3C" connects the Instrument Panel Wire and J/B No.3. It is described on page 22 of this manual, and is installed on the instrument panel left side.

[S] : Indicates the reference page describing the wiring harness and wiring harness connector (the female wiring harness is shown first, followed by the male wiring harness).

Example : Connector "CH1" connects the Engine Room Main Wire (female) and Instrument Panel Wire (male). It is described on page 42 of this manual, and is installed on the left side kick panel.

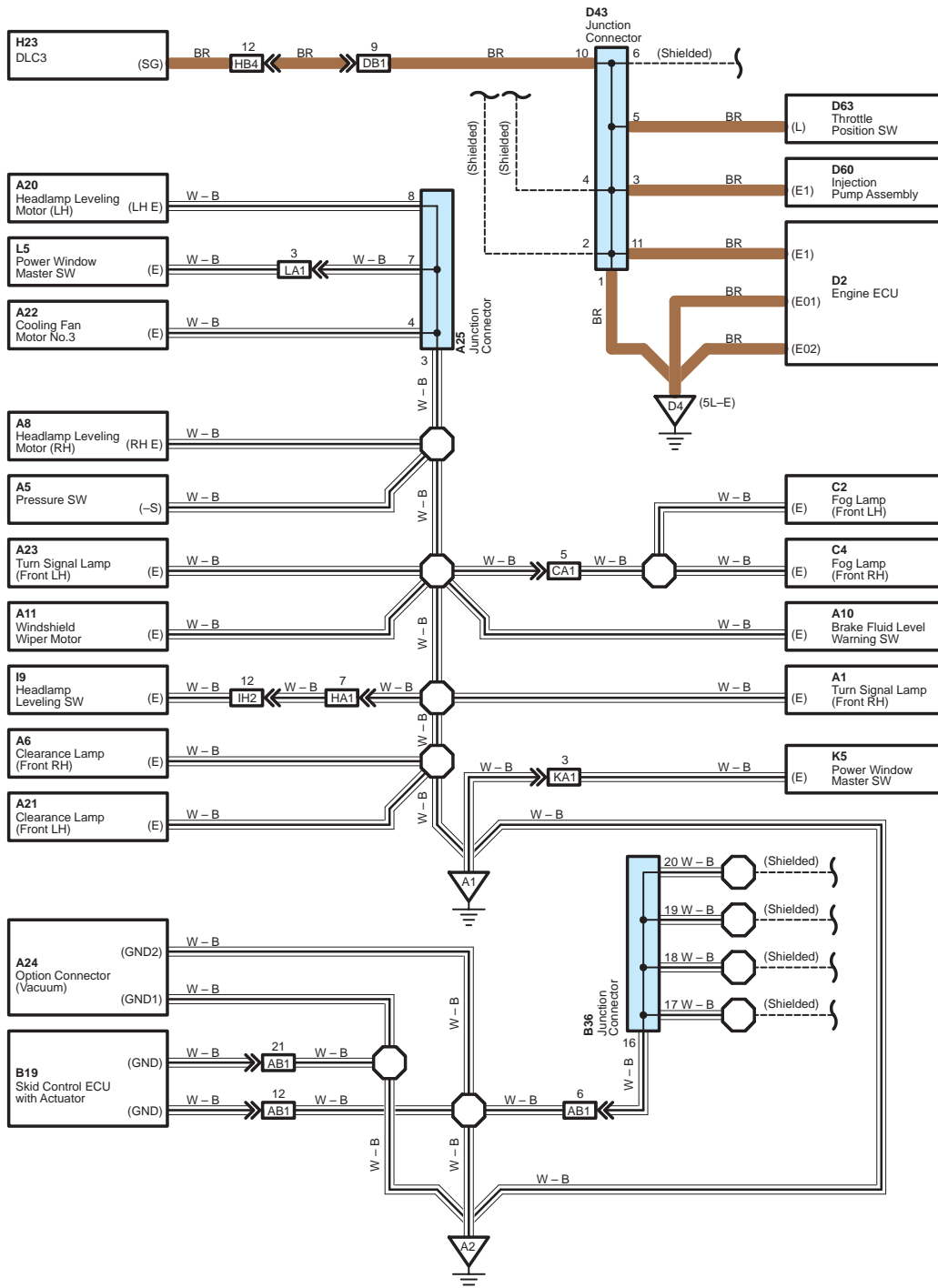
[T] : Indicates the reference page showing the position of the ground points on the vehicle.

Example : Ground point "H2" is described on page 50 of this manual and is installed on the back panel center.

B HOW TO USE THIS MANUAL

The ground points circuit diagram shows the connections from all major parts to the respective ground points. When troubleshooting a faulty ground point, checking the system circuits which use a common ground may help you identify the problem ground quickly. The relationship between ground points ($\nabla A1$, $\nabla A2$ and $\nabla D4$ shown below) can also be checked this way.

I GROUND POINT

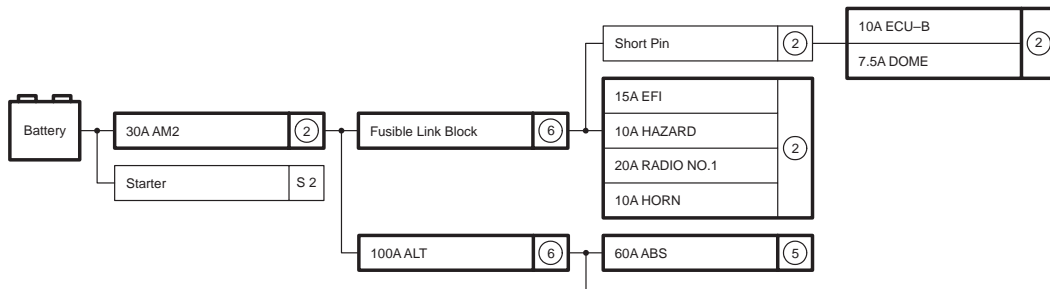


* The system shown here is an EXAMPLE ONLY. It is different to the actual circuit shown in the SYSTEM CIRCUITS SECTION.

The "Current Flow Chart" section, describes which parts each power source (fuses, fusible links, and circuit breakers) transmits current to. In the Power Source circuit diagram, the conditions when battery power is supplied to each system are explained. Since all System Circuit diagrams start from the power source, the power source system must be fully understood.

J POWER SOURCE (Current Flow Chart)

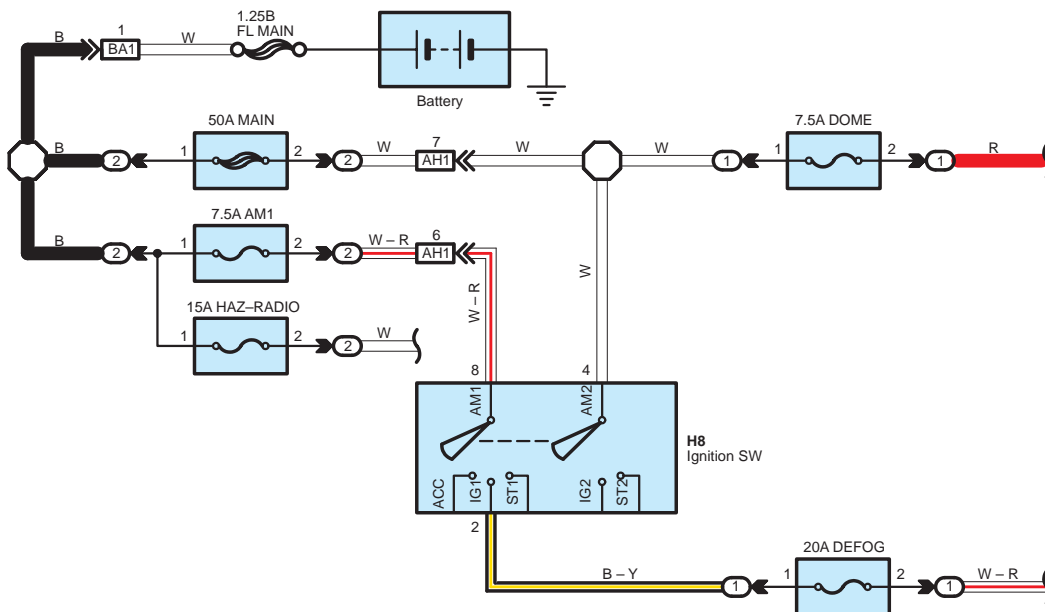
The chart below shows the route by which current flows from the battery to each electrical source (Fusible Link, Circuit Breaker, Fuses, etc.) and other parts



Engine Room R/B (See Page 20)

Fuse	System	Page	
20A	STOP	ABS	194
		ABS and Traction Control	187
		Cruise Control	180
		Electronically Controlled Transmission	166
		Multiplex Communication System	210
10A	DOME	Cigarette Lighter	214
		Combination Meter	230
		Headlight	112
		Interior Light	122
		Key Reminder and Seat Belt Warning	
		Light Auto Turn Off System	

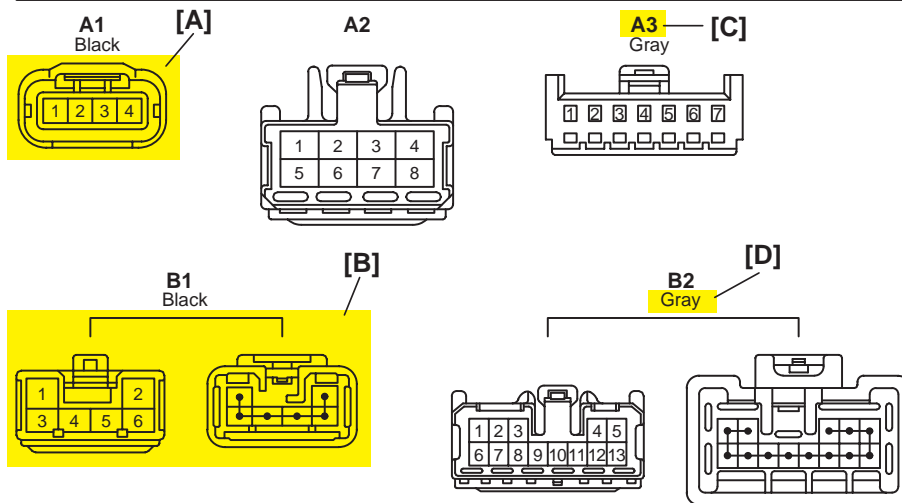
Power Source



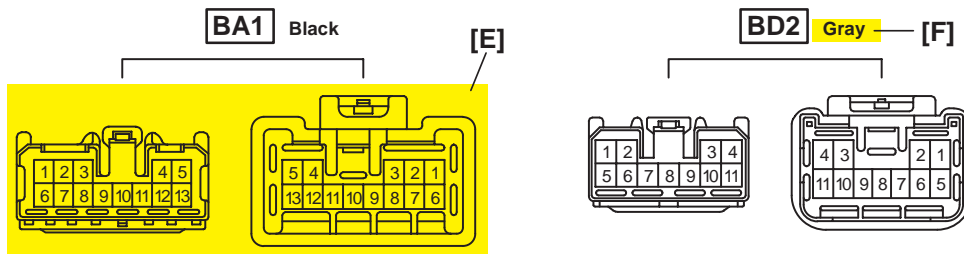
* The system shown here is an EXAMPLE ONLY. It is different to the actual circuit shown in the SYSTEM CIRCUITS SECTION.

B HOW TO USE THIS MANUAL

K CONNECTOR LIST

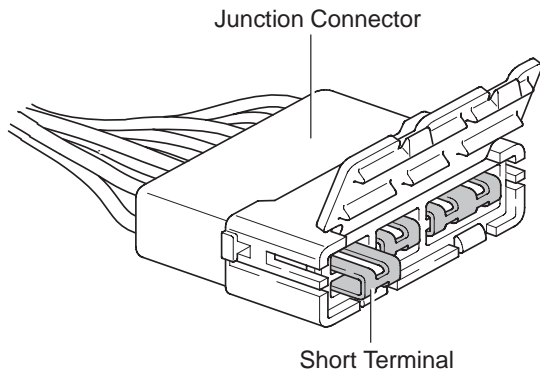


K CONNECTOR LIST



[A] : Indicates connector to be connected to a part. (The numeral indicates the pin No.)

[B] : Junction Connector
Indicates a connector which is connected to a short terminal.



Junction connector in this manual include a short terminal which is connected to a number of wire harnesses. Always perform inspection with the short terminal installed.

[C] : Parts Code
The first letter of the code is taken from the first letter of part, and the numbers indicates its order in parts which start with the same letter.

[D] : Connector Color
Connectors not indicated are milky white in color.

[E] : Indicates the connector shapes which are used to join wire harnesses.
On Left : Female connector shapes
On Right : Male connector shapes
Numbers indicate pin numbers.

[F] : Indicates connector colors. (Connectors with not indicated colors are white)

L PART NUMBER OF CONNECTORS

Code	Part Name	Part Number	Code	Part Name	Part Number
A1	Turn Signal Lamp (Front RH)	90980-11019	B22	Door Courtesy SW (Front LH)	90980-12470
A2	Inlet Air Temp. Sensor	90980-11163	B23	Front Seat Outer Belt (LH)	90980-12253
A3	Air Flow Meter	90980-12292	B24	Blower SW (Rear Heater)	90980-10463
A4	A/C Pressure Sensor	90980-10845	B25	Front Seat Outer Belt (RH)	90980-12253
A5	Pressure SW	90980-10943	B26	Door Courtesy SW (Front RH)	90980-12470
A6	Clearance Lamp (Front RH)	90980-11156	B27	Cooling Fan ECU No.1	90980-10841
[A]	Headlamp [B] (LH)	909-[C] 314	B28	Cooling Fan ECU No.2	
A8	Headlamp Leveling Motor (RH)	90980-11016	B29	Water Temp. Sensor (Radiator)	90980-10735
A9	Brake Vacuum Warning SW	90980-11252	B30	Fuel Filter Warning SW	90980-11003
A10	Brake Fluid Level Warning SW	90980-11207	B32	Door Control Relay (LH)	90980-10789
A11	Windshield Washer Motor	90980-11599	B33	Step Lamp (LH)	90980-10121
A12	Airbag Sensor (Front RH)	90980-11856	B34	Junction Connector	
A13	Airbag Sensor (Front LH)	90980-12490	B35	Junction Connector	90980-11398

[A] : Part Code

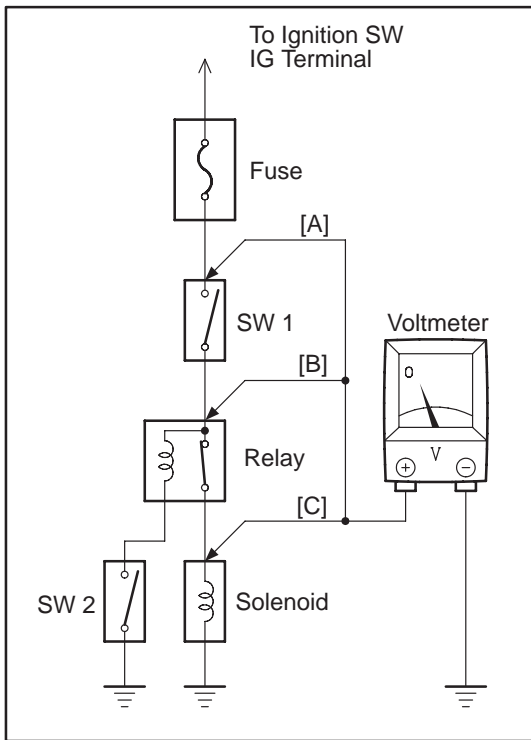
[B] : Part Name

[C] : Part Number

Toyota Part Number are indicated.

Not all of the above part numbers of the connector are established for the supply.

C TROUBLESHOOTING



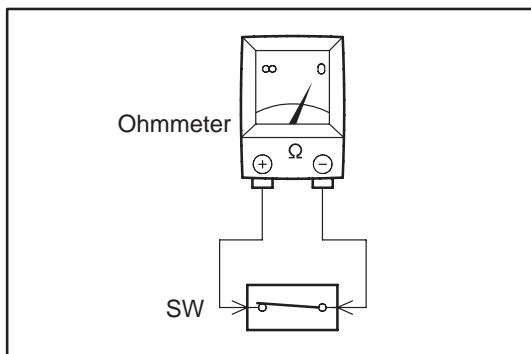
VOLTAGE CHECK

- (a) Establish conditions in which voltage is present at the check point.

Example:

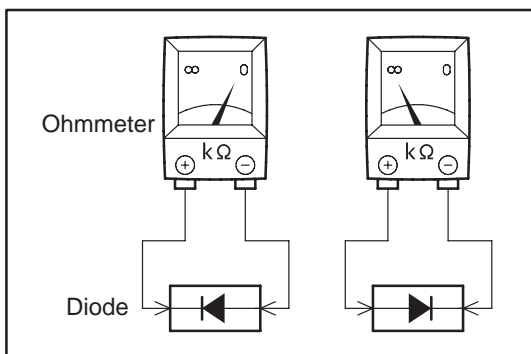
- [A] – Ignition SW on
- [B] – Ignition SW and SW 1 on
- [C] – Ignition SW, SW 1 and Relay on (SW 2 off)

- (b) Using a voltmeter, connect the negative lead to a good ground point or negative battery terminal, and the positive lead to the connector or component terminal.
This check can be done with a test light instead of a voltmeter.



CONTINUITY AND RESISTANCE CHECK

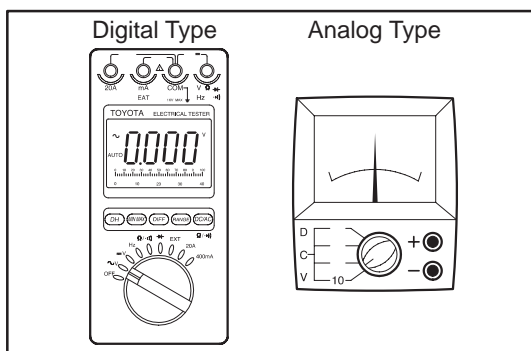
- (a) Disconnect the battery terminal or wire so there is no voltage between the check points.
(b) Contact the two leads of an ohmmeter to each of the check points.



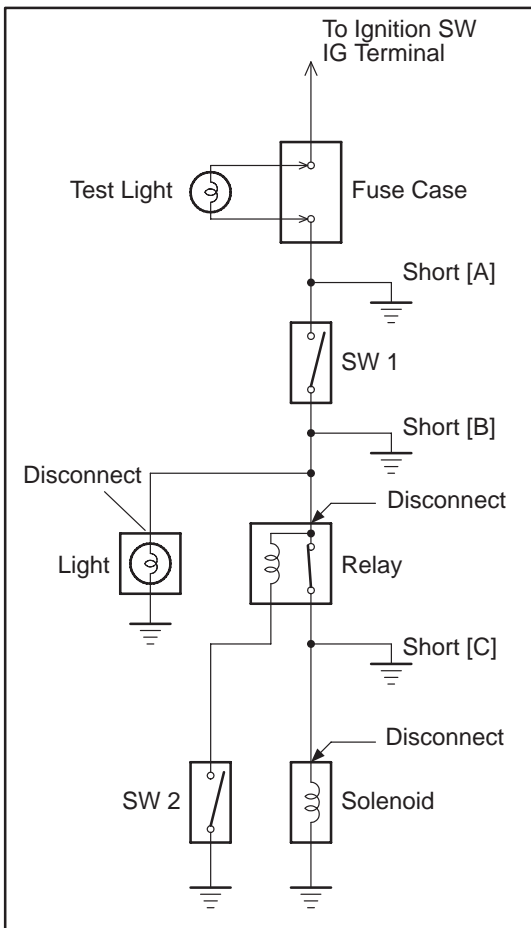
If the circuit has diodes, reverse the two leads and check again.

When contacting the negative lead to the diode positive side and the positive lead to the diode negative side, there should be continuity.

When contacting the two leads in reverse, there should be no continuity.



- (c) Use a volt/ohmmeter with high impedance (10 k Ω /V minimum) for troubleshooting of the electrical circuit.



FINDING A SHORT CIRCUIT

- Remove the blown fuse and disconnect all loads of the fuse.
- Connect a test light in place of the fuse.
- Establish conditions in which the test light comes on.

Example:

- [A] – Ignition SW on
- [B] – Ignition SW and SW 1 on
- [C] – Ignition SW, SW 1 and Relay on (Connect the Relay) and SW 2 off (or Disconnect SW 2)

- Disconnect and reconnect the connectors while watching the test light. The short lies between the connector where the test light stays lit and the connector where the light goes out.
- Find the exact location of the short by lightly shaking the problem wire along the body.

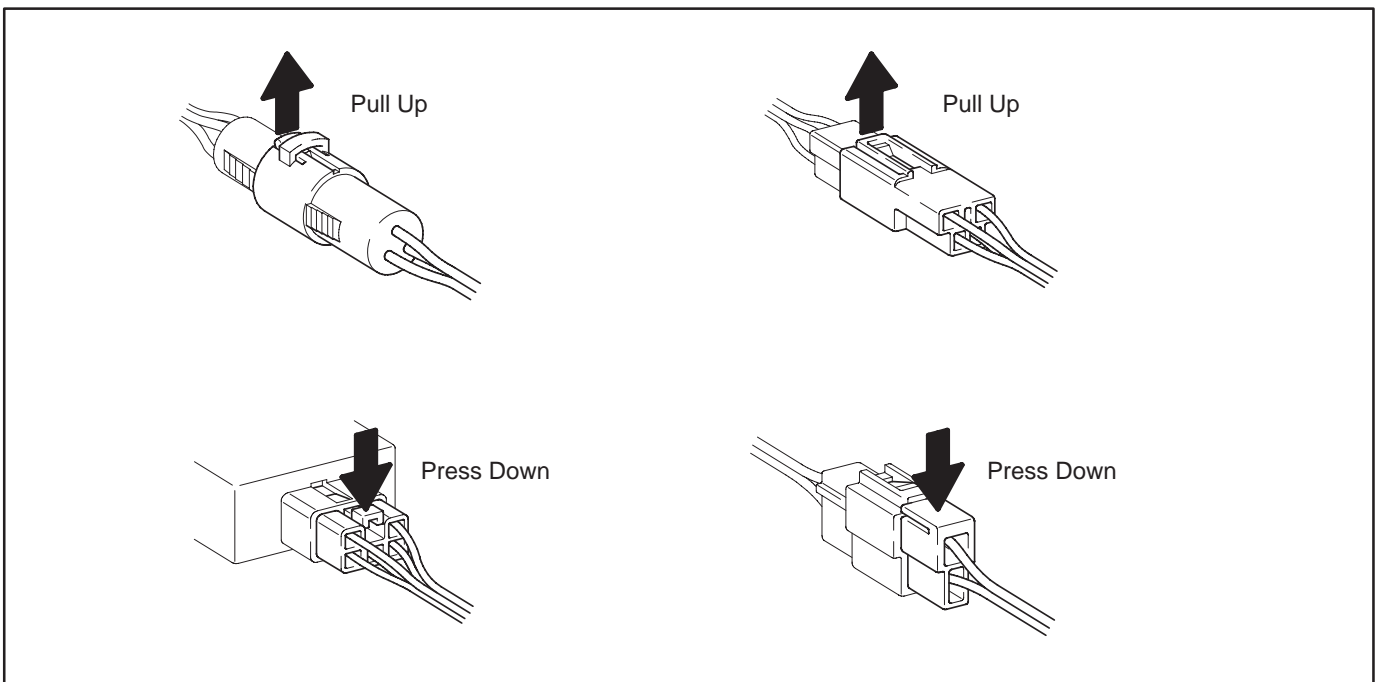
CAUTION:

- Do not open the cover or the case of the ECU unless absolutely necessary. (If the IC terminals are touched, the IC may be destroyed by static electricity.)
- When replacing the internal mechanism (ECU part) of the digital meter, be careful that no part of your body or clothing comes in contact with the terminals of leads from the IC, etc. of the replacement part (spare part).

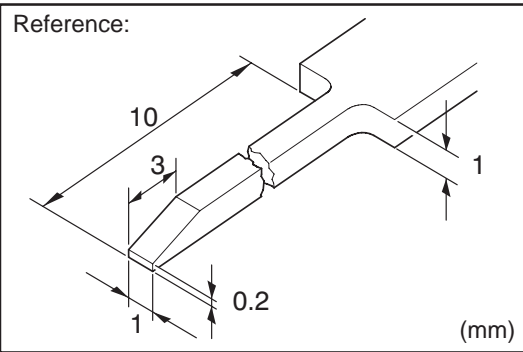
DISCONNECTION OF MALE AND FEMALE CONNECTORS

To pull apart the connectors, pull on the connector itself, not the wire harness.

HINT: Check to see what kind of connector you are disconnecting before pulling apart.



C TROUBLESHOOTING



HOW TO REPLACE TERMINAL (with terminal retainer or secondary locking device)

1. PREPARE THE SPECIAL TOOL

HINT : To remove the terminal from the connector, please construct and use the special tool or like object shown on the left.

2. DISCONNECT CONNECTOR

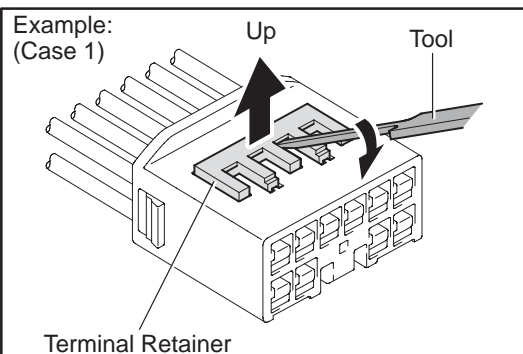
3. DISENGAGE THE SECONDARY LOCKING DEVICE OR TERMINAL RETAINER.

(a) Locking device must be disengaged before the terminal locking clip can be released and the terminal removed from the connector.

(b) Use a special tool or the terminal pick to unlock the secondary locking device or terminal retainer.

NOTICE:

Do not remove the terminal retainer from connector body.

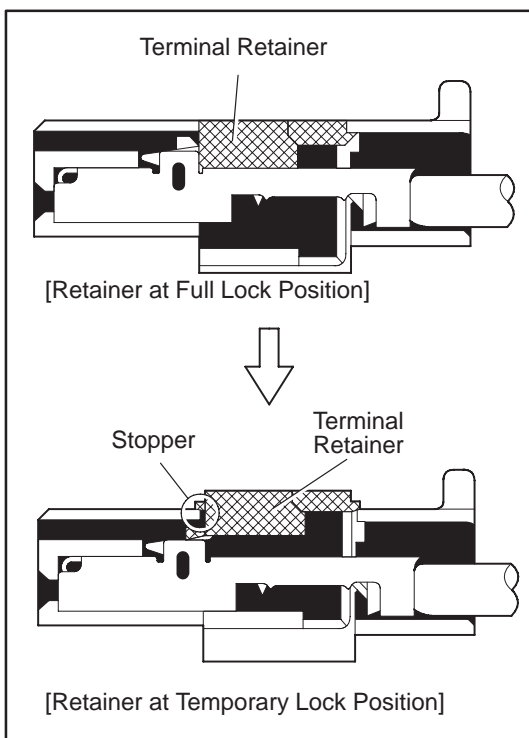


[A] For Non-Waterproof Type Connector

HINT : The needle insertion position varies according to the connector's shape (number of terminals etc.), so check the position before inserting it.

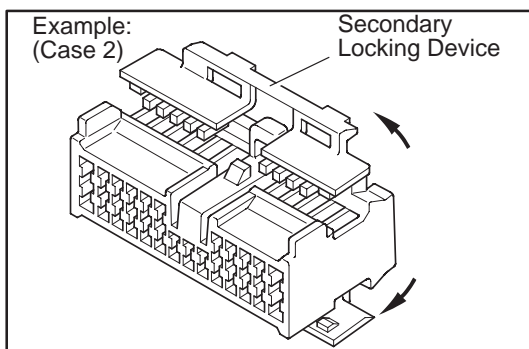
"Case 1"

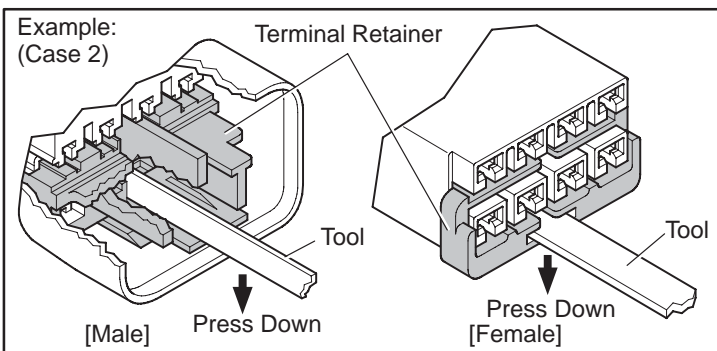
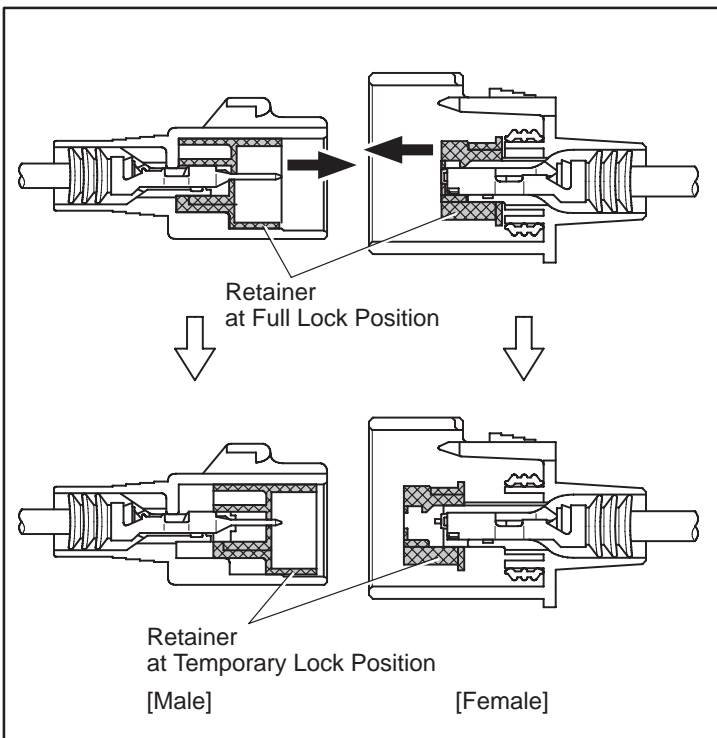
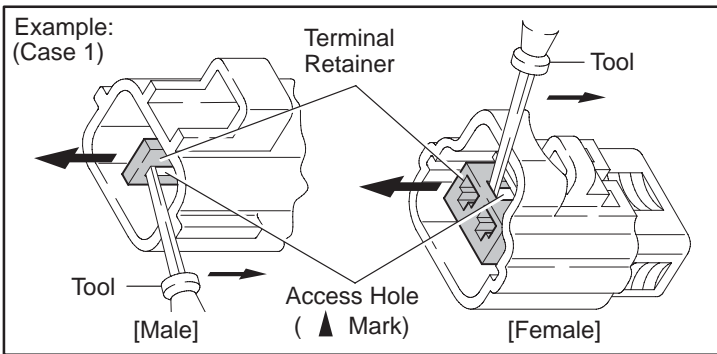
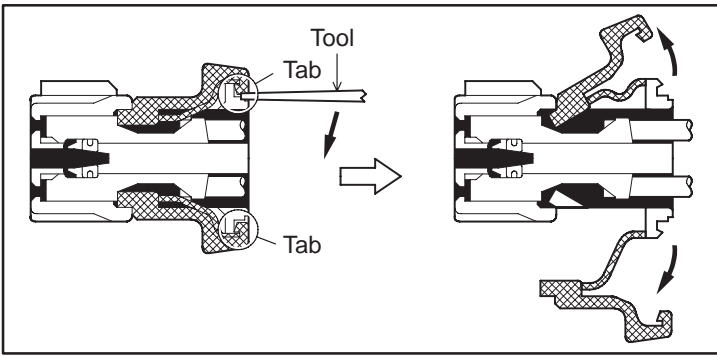
Raise the terminal retainer up to the temporary lock position.



"Case 2"

Open the secondary locking device.





[B] For Waterproof Type Connector

HINT : Terminal retainer color is different according to connector body.

Example:

Terminal Retainer	Connector Body
Black or White	Gray
Black or White	Dark Gray
Gray or White	Black

"Case 1"

Type where terminal retainer is pulled up to the temporary lock position (Pull Type).

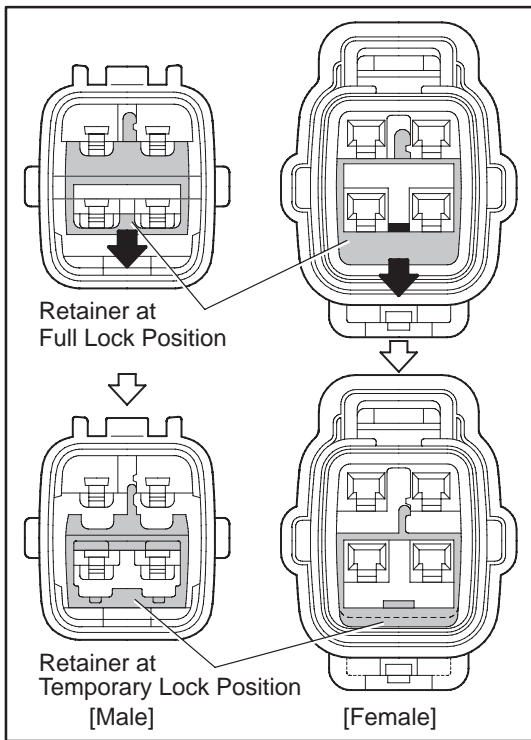
Insert the special tool into the terminal retainer access hole (▲Mark) and pull the terminal retainer up to the temporary lock position.

HINT : The needle insertion position varies according to the connector's shape (Number of terminals etc.), so check the position before inserting it.

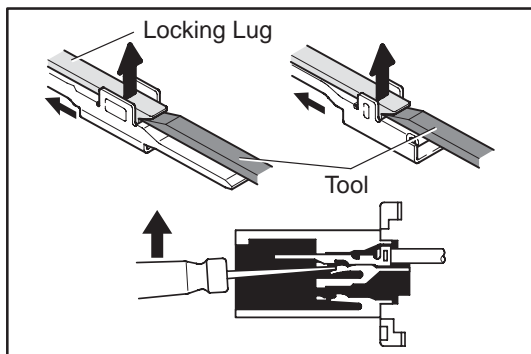
"Case 2"

Type which cannot be pulled as far as Power Lock insert the tool straight into the access hole of terminal retainer as shown.

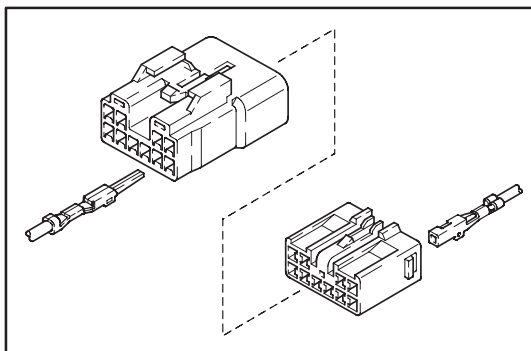
C TROUBLESHOOTING



Push the terminal retainer down to the temporary lock position.



(c) Release the locking lug from terminal and pull the terminal out from rear.

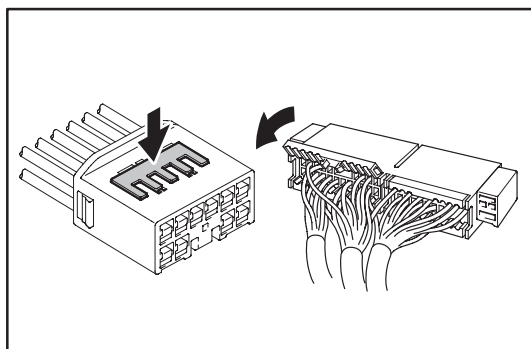


4. INSTALL TERMINAL TO CONNECTOR

(a) Insert the terminal.

HINT:

1. Make sure the terminal is positioned correctly.
2. Insert the terminal until the locking lug locks firmly.
3. Insert the terminal with terminal retainer in the temporary lock position.



(b) Push the secondary locking device or terminal retainer in to the full lock position.

5. CONNECT CONNECTOR

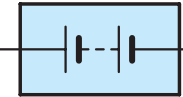

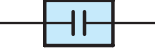
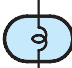


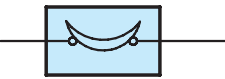


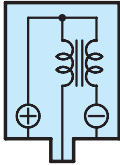




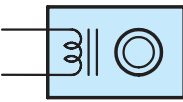

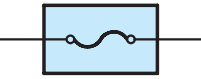

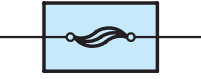
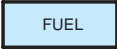

ABBREVIATIONS

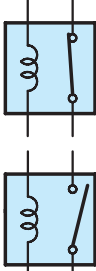

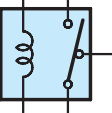
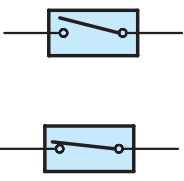
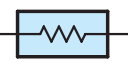
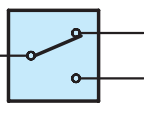
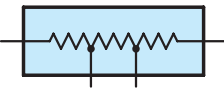
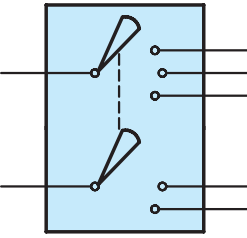
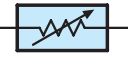
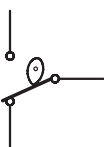

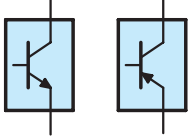

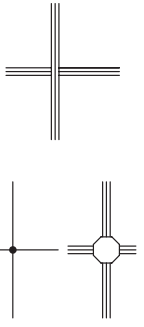
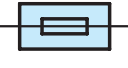
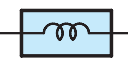
The following abbreviations are used in this manual.

A/C	=	Air Conditioning
A/T	=	Automatic Transaxle
ABS	=	Anti-Lock Brake System
CAN	=	Controller Area Network
CPU	=	Central Processing Unit
EBD	=	Electronic Brake Force Distribution
ECU	=	Electronic Control Unit
EPS	=	Electric Motor Power Steering
H/B	=	Hatchback Type
IC	=	Integrated Circuit
J/B	=	Junction Block
LED	=	Light Emitting Diode
LH	=	Left-Hand
M/T	=	Manual Transaxle
PTC	=	Positive Temperature Coefficient
R/B	=	Relay Block
RH	=	Right-Hand
S/D	=	Sedan Type
SRS	=	Supplemental Restraint System
SW	=	Switch
TEMP.	=	Temperature
VSV	=	Vacuum Switching Valve
w/	=	With
w/o	=	Without

* The titles given inside the components are the names of the terminals (terminal codes) and are not treated as being abbreviations.

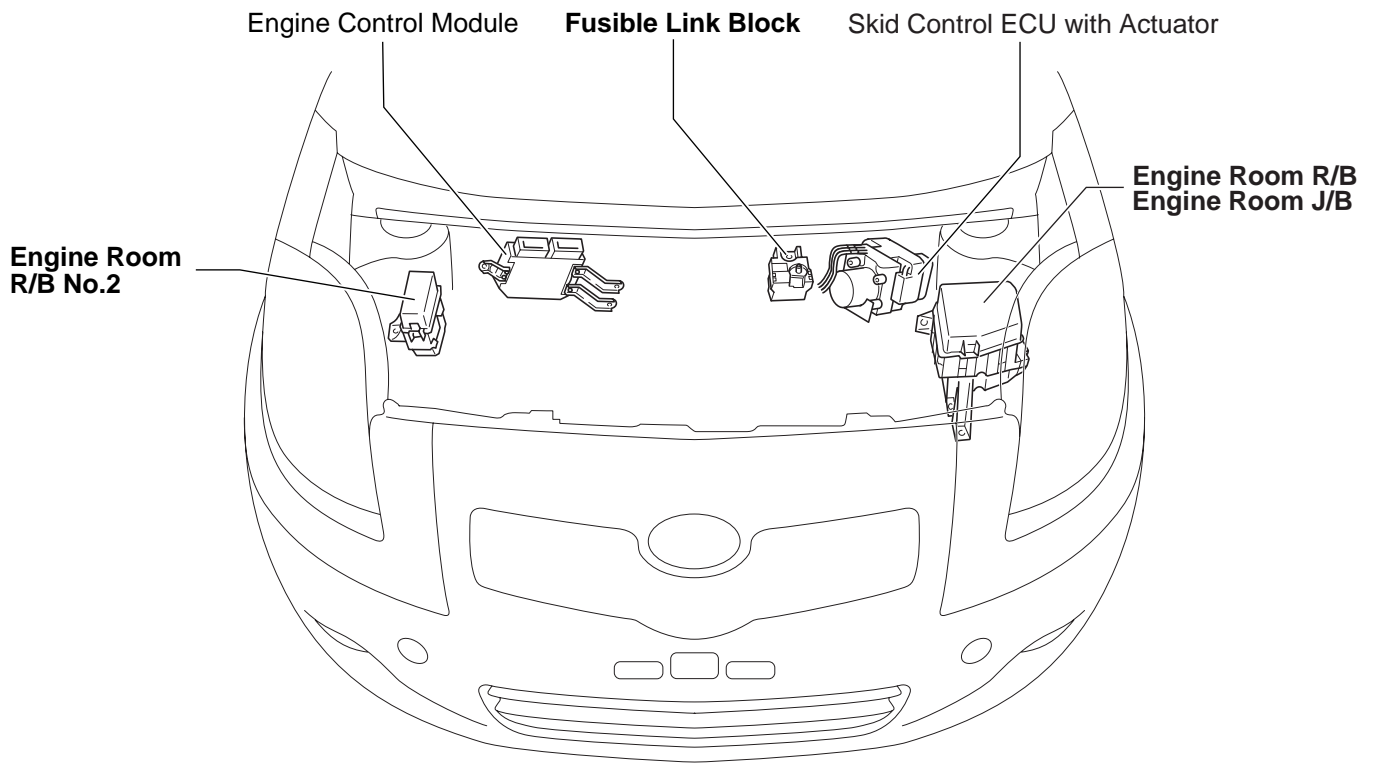
E GLOSSARY OF TERMS AND SYMBOLS

 <p>BATTERY Stores chemical energy and converts it into electrical energy. Provides DC current for the auto's various electrical circuits.</p>	 <p>GROUND The point at which wiring attaches to the Body, thereby providing a return path for an electrical circuit; without a ground, current cannot flow.</p>
 <p>CAPACITOR (Condenser) A small holding unit for temporary storage of electrical voltage.</p>	<p>HEADLIGHTS Current flow causes a headlight filament to heat up and emit light. A headlight may have either a single (1) filament or a double (2) filament</p> <p>1. SINGLE FILAMENT </p> <p>2. DOUBLE FILAMENT </p>
 <p>CIGARETTE LIGHTER An electric resistance heating element.</p>	
 <p>CIRCUIT BREAKER Basically a reusable fuse, a circuit breaker will heat and open if too much current flows through it. Some units automatically reset when cool, others must be manually reset.</p>	 <p>HORN An electric device which sounds a loud audible signal.</p>
 <p>DIODE A semiconductor which allows current flow in only one direction.</p>	 <p>IGNITION COIL Converts low-voltage DC current into high-voltage ignition current for firing the spark plugs.</p>
 <p>DIODE, ZENER A diode which allows current flow in one direction but blocks reverse flow only up to a specific voltage. Above that potential, it passes the excess voltage. This acts as a simple voltage regulator.</p>	 <p>LIGHT Current flow through a filament causes the filament to heat up and emit light.</p>
 <p>PHOTODIODE The photodiode is a semiconductor which controls the current flow according to the amount of light.</p>	 <p>LED (LIGHT EMITTING DIODE) Upon current flow, these diodes emit light without producing the heat of a comparable light.</p>
 <p>DISTRIBUTOR, IIA Channels high-voltage current from the ignition coil to the individual spark plugs.</p>	 <p>METER, ANALOG Current flow activates a magnetic coil which causes a needle to move, thereby providing a relative display against a background calibration.</p>
 <p>FUSE A thin metal strip which burns through when too much current flows through it, thereby stopping current flow and protecting a circuit from damage.</p>  <p>FUSIBLE LINK (for Medium Current Fuse) A heavy-gauge wire placed in high amperage circuits which burns through on overloads, thereby protecting the circuit. The numbers indicate the crosssection surface area of the wires.</p>  <p>(for High Current Fuse or Fusible Link)</p>	 <p>METER, DIGITAL Current flow activates one or many LED's, LCD's, or fluorescent displays, which provide a relative or digital display.</p>
	 <p>MOTOR A power unit which converts electrical energy into mechanical energy, especially rotary motion.</p>

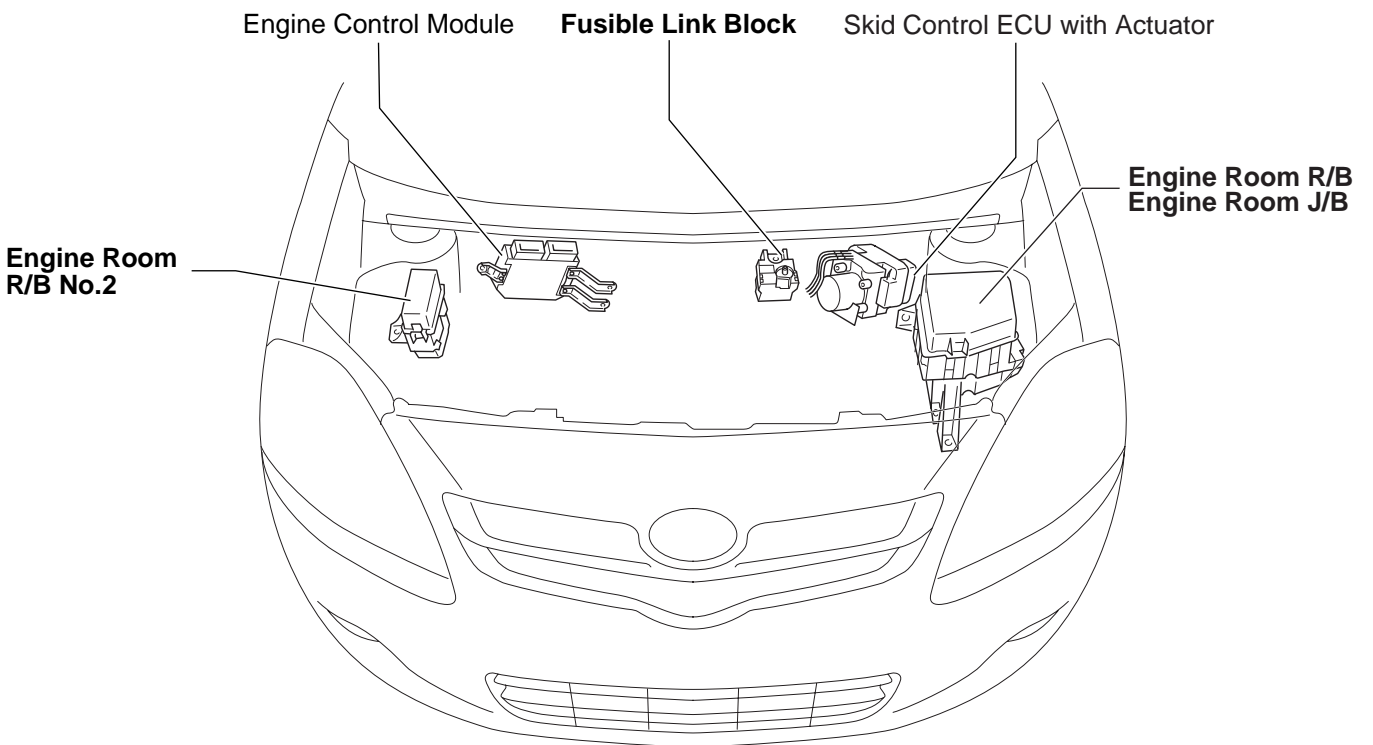
 <p>RELAY Basically, an electrically operated switch which may be normally closed (1) or open (2). Current flow through a small coil creates a magnetic field which either opens or closes an attached switch.</p> <p>1. NORMALLY CLOSED</p> <p>2. NORMALLY OPEN</p>	 <p>SPEAKER An electromechanical device which creates sound waves from current flow.</p>
 <p>RELAY, DOUBLE THROW A relay which passes current through one set of contacts or the other.</p>	<p>SWITCH, MANUAL Opens and closes circuits, thereby stopping (1) or allowing (2) current flow.</p>  <p>1. NORMALLY OPEN</p> <p>2. NORMALLY CLOSED</p>
 <p>RESISTOR An electrical component with a fixed resistance, placed in a circuit to reduce voltage to a specific value.</p>	<p>SWITCH, DOUBLE THROW A switch which continuously passes current through one set of contacts or the other.</p> 
 <p>RESISTOR, TAPPED A resistor which supplies two or more different non adjustable resistance values.</p>	<p>SWITCH, IGNITION A key operated switch with several positions which allows various circuits, particularly the primary ignition circuit, to become operational.</p> 
 <p>RESISTOR, VARIABLE or RHEOSTAT A controllable resistor with a variable rate of resistance. Also called a potentiometer or rheostat.</p>	<p>SWITCH, WIPER PARK Automatically returns wipers to the stop position when the wiper switch is turned off.</p> 
 <p>SENSOR (Thermistor) A resistor which varies its resistance with temperature.</p>	<p>TRANSISTOR A solidstate device typically used as an electronic relay; stops or passes current depending on the voltage applied at "base".</p> 
 <p>SENSOR, SPEED Uses magnetic impulses to open and close a switch to create a signal for activation of other components. (Reed Switch Type)</p>	<p>WIRES Wires are always drawn as straight lines on wiring diagrams. Crossed wires (1) without a black dot at the junction are not joined; crossed wires (2) with a black dot or octagonal (○) mark at the junction are spliced (joined) connections.</p>  <p>(1) NOT CONNECTED</p> <p>(2) SPLICED</p>
 <p>SHORT PIN Used to provide an unbroken connection within a junction block.</p>	
 <p>SOLENOID An electromagnetic coil which forms a magnetic field when current flows, to move a plunger, etc.</p>	

F RELAY LOCATIONS

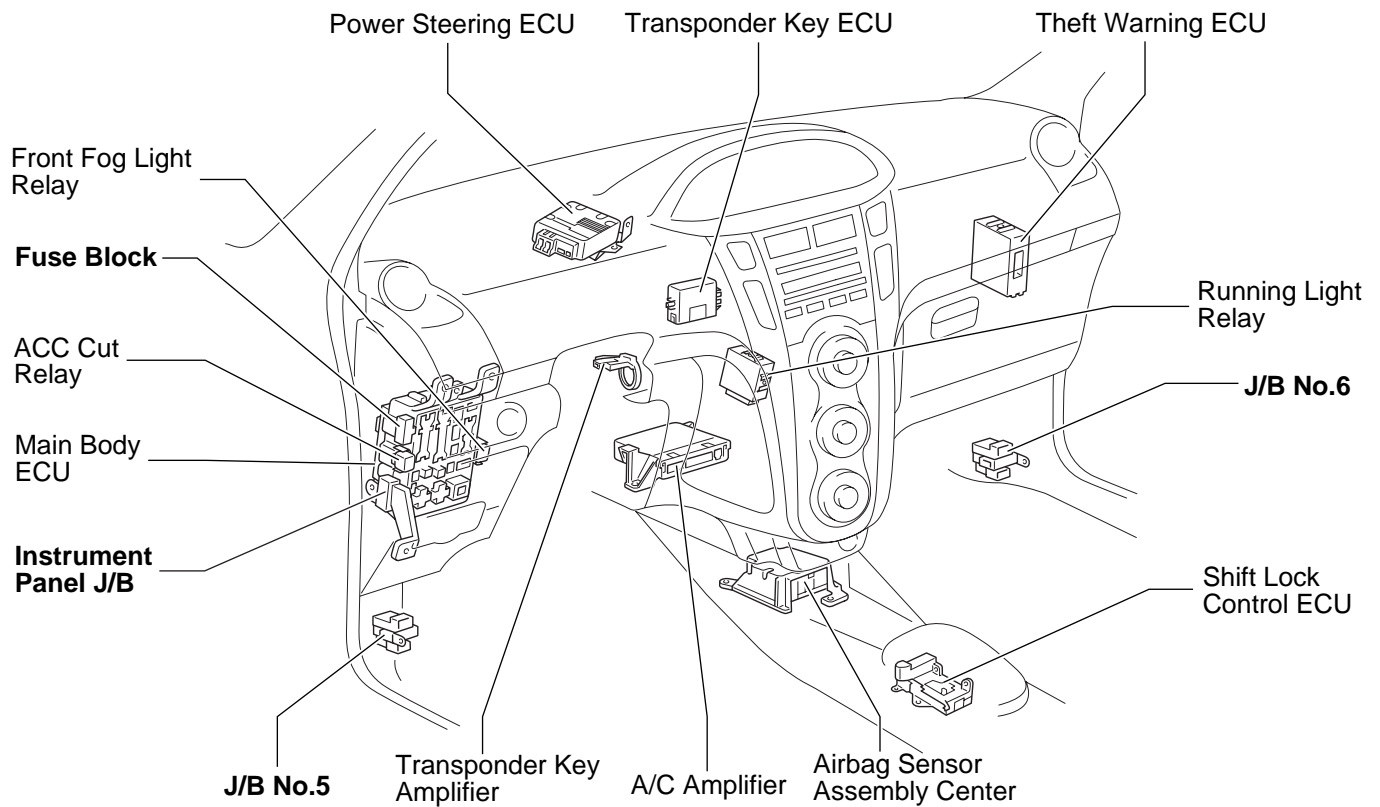
[Engine Compartment] (H/B)



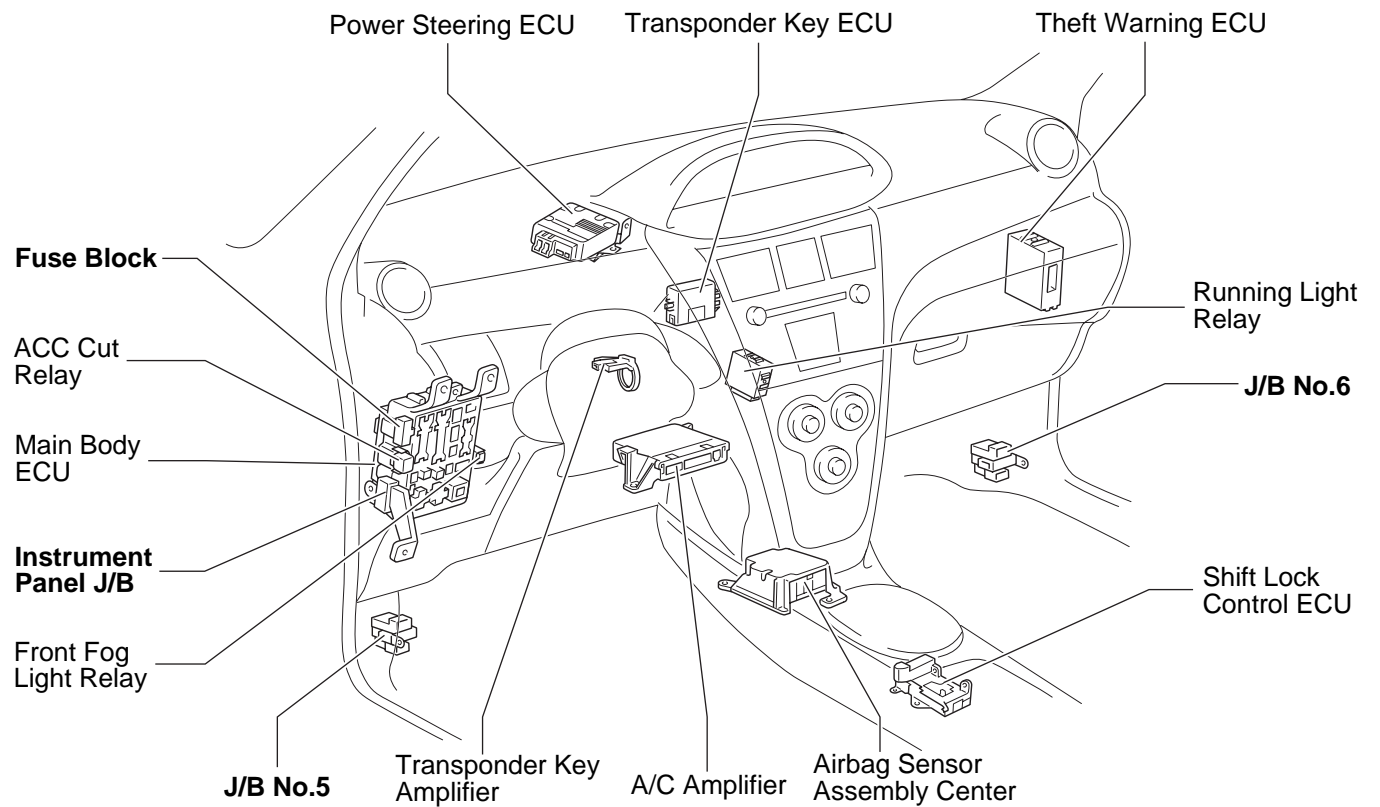
(S/D)



**[Instrument Panel]
(H/B)**

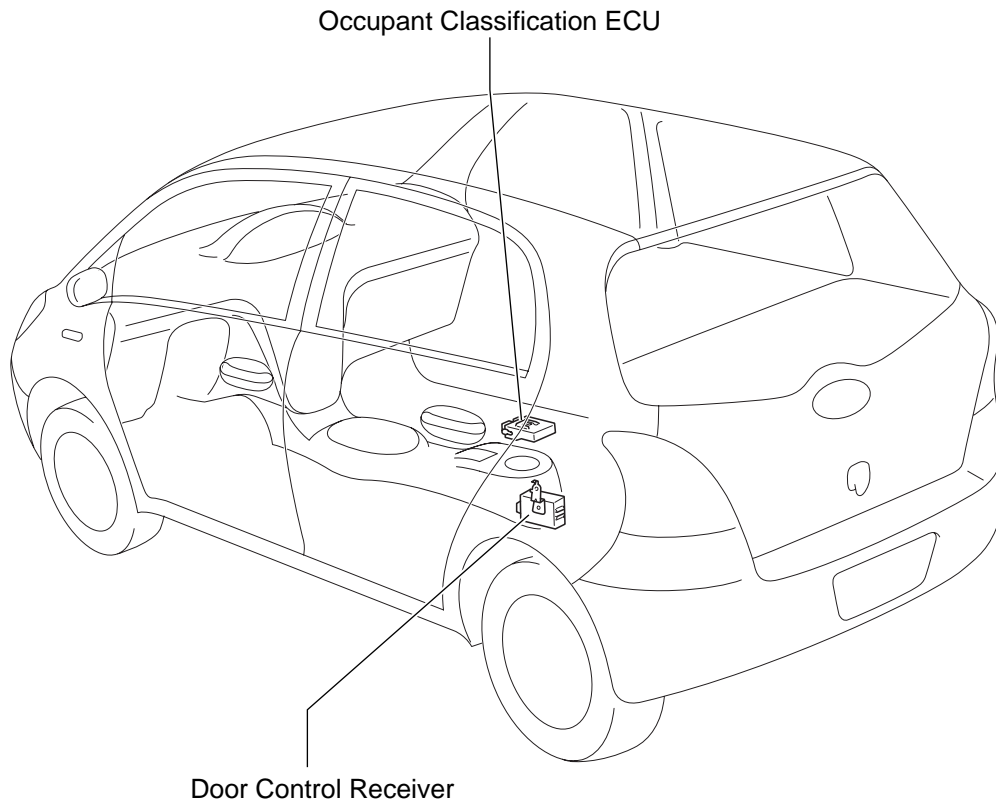


(S/D)

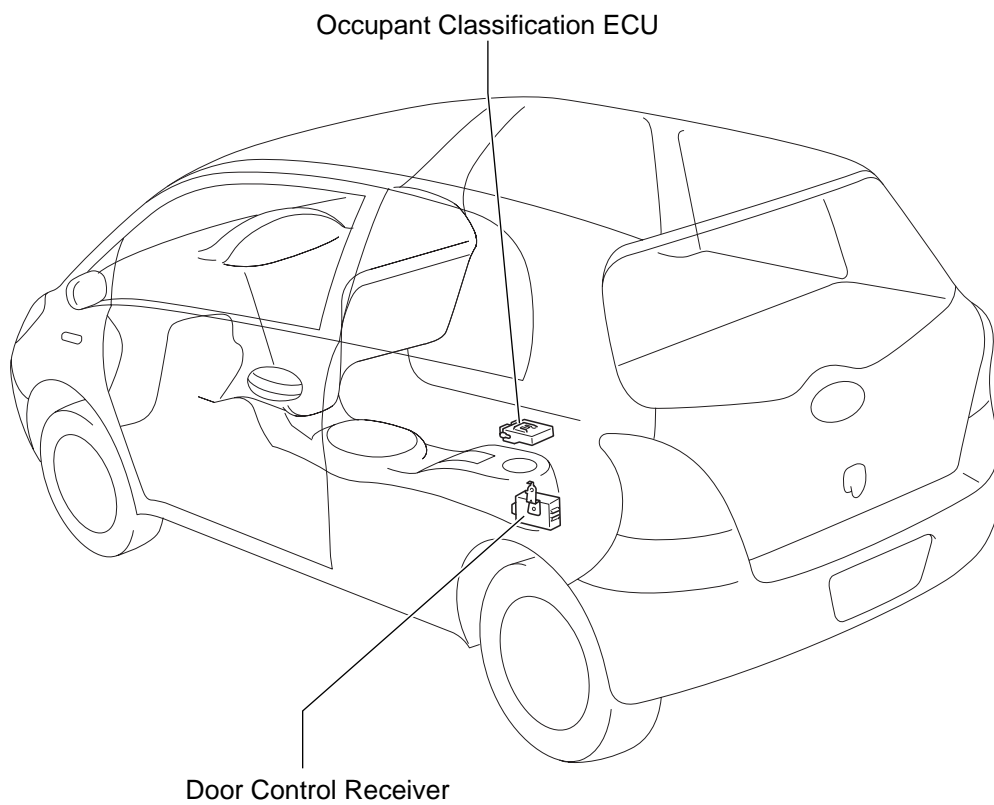


F RELAY LOCATIONS

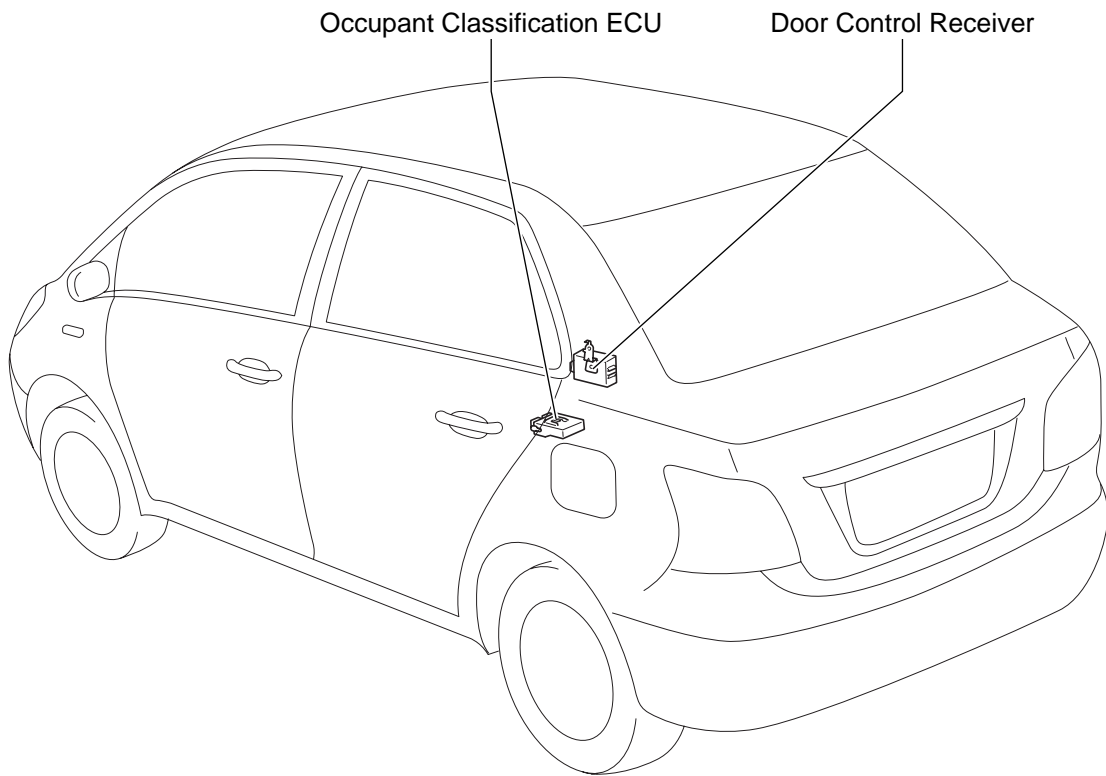
[Body]
(5-Door)



(3-Door)



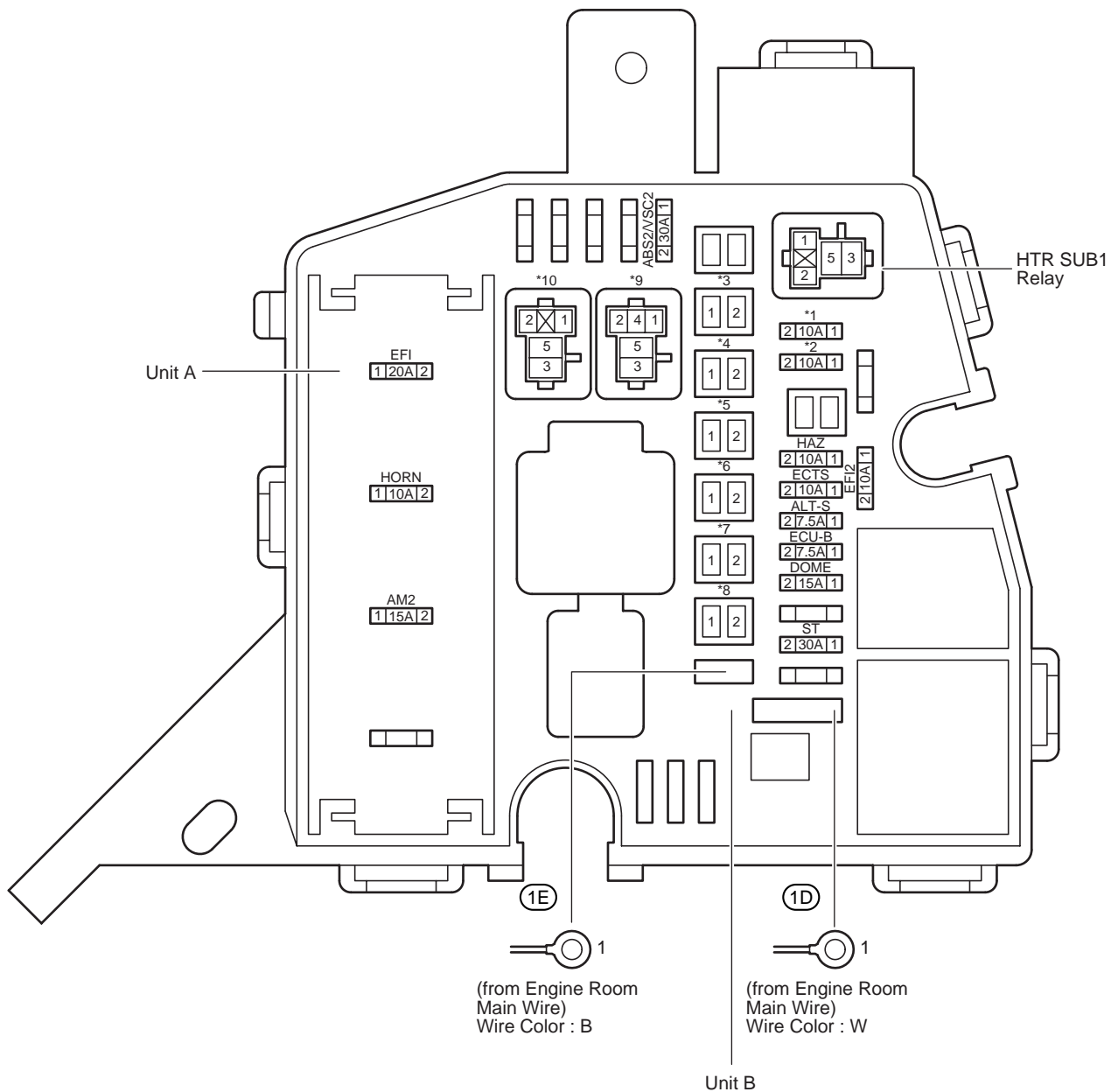
(4-Door)

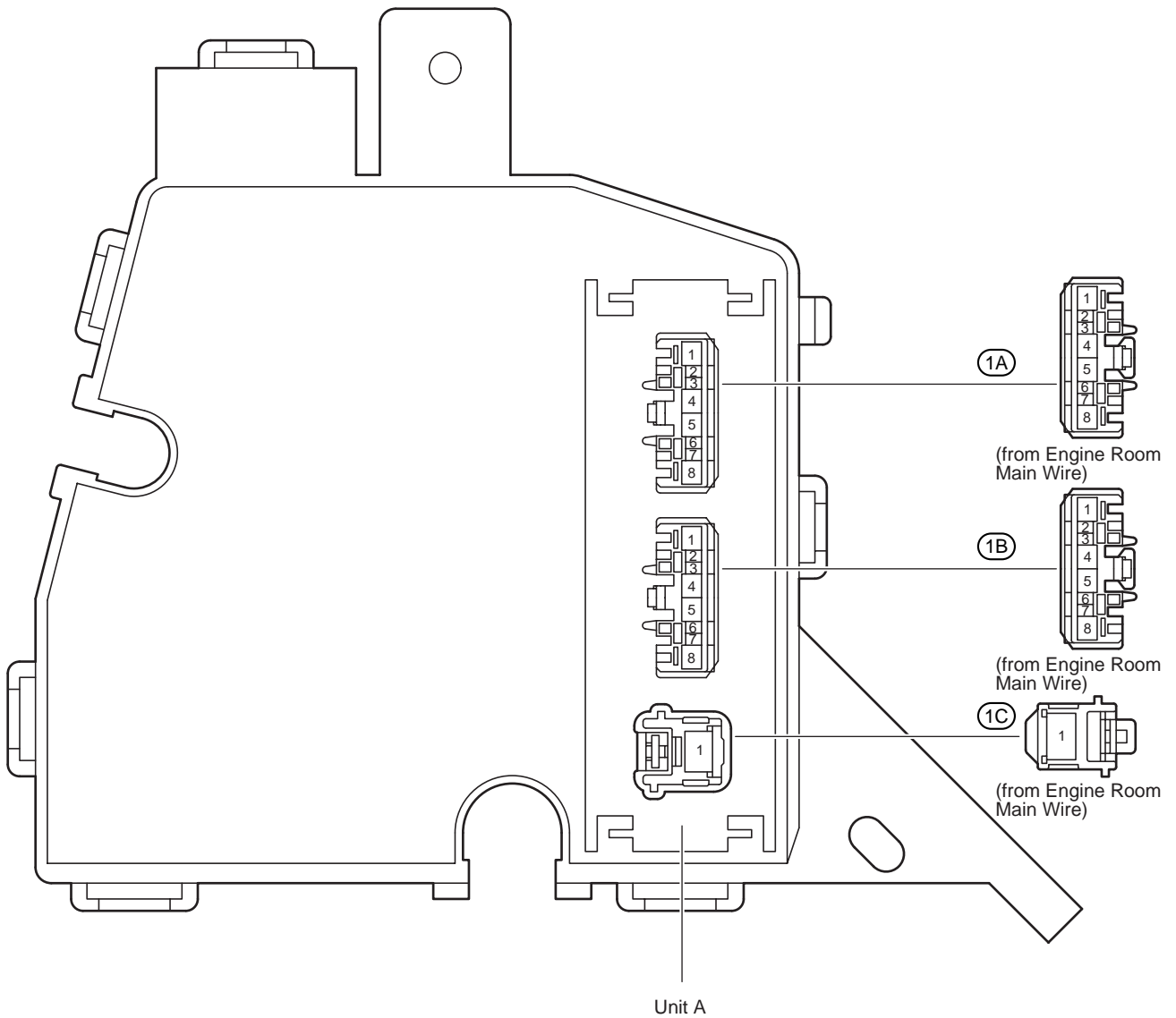


F RELAY LOCATIONS

① : Engine Room R/B ○ : Engine Room J/B	Engine Compartment Left (See Page 20)
--	--

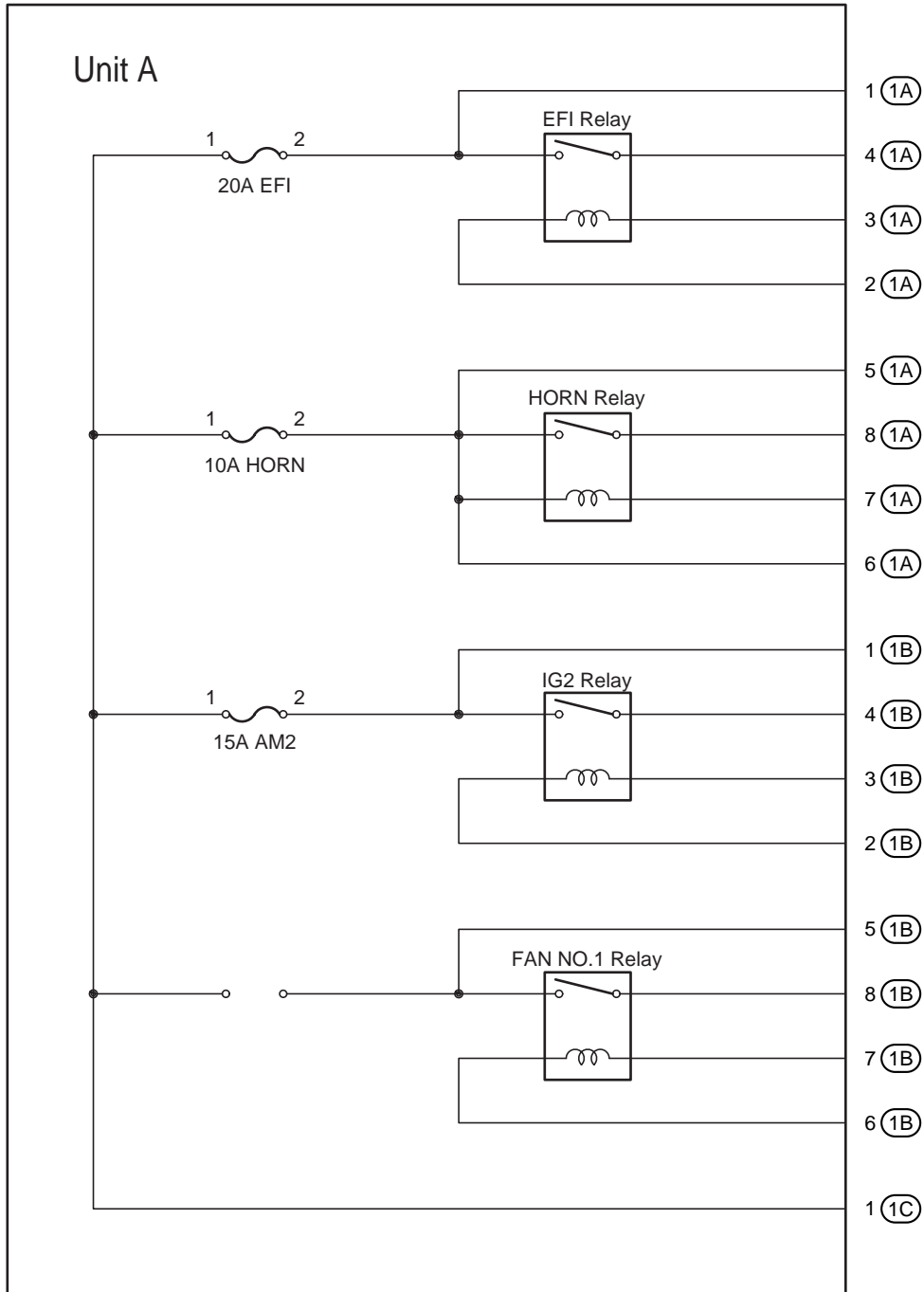
- * 1:H-LP LH/H-LP LO LH
- * 2:H-LP RH/H-LP LO RH
- * 3:30A HTR SUB1 (for High Current)
- * 4:30A RDI (for High Current)
- * 5:40A HTR (for High Current)
- * 6:50A ABS1/VSC1 (for High Current)
- * 7:50A EPS (for High Current)
- * 8:40A HTR SUB2 (for High Current)
- * 9:FAN NO.2 Relay
- * 10:ST Relay

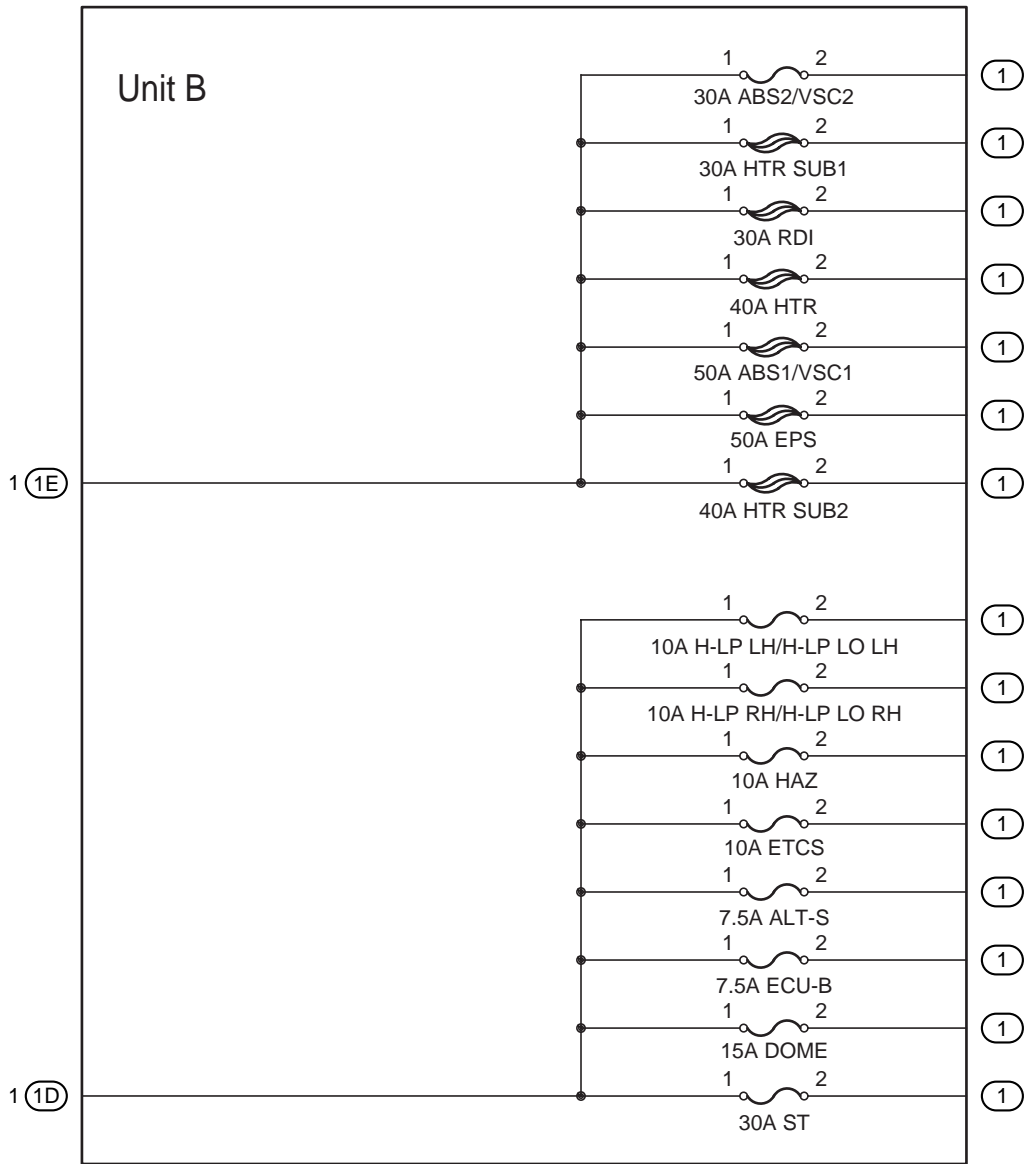




F RELAY LOCATIONS

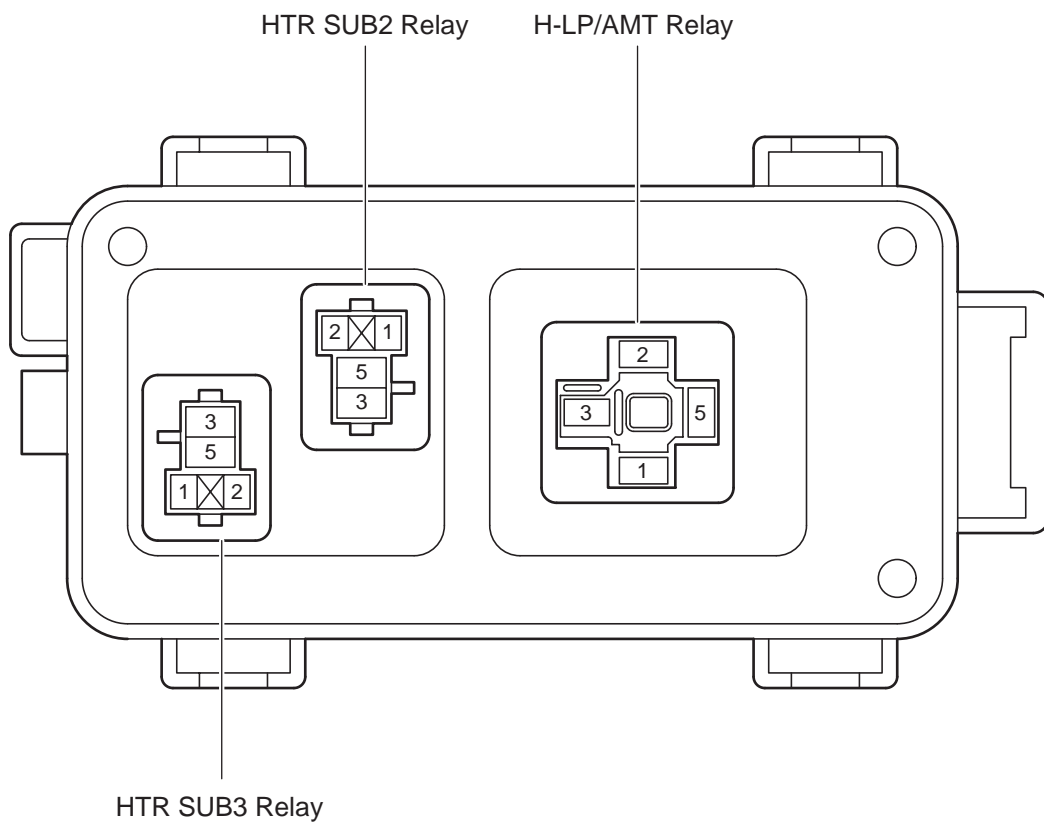
[Engine Room R/B and Engine Room J/B Inner Circuit]





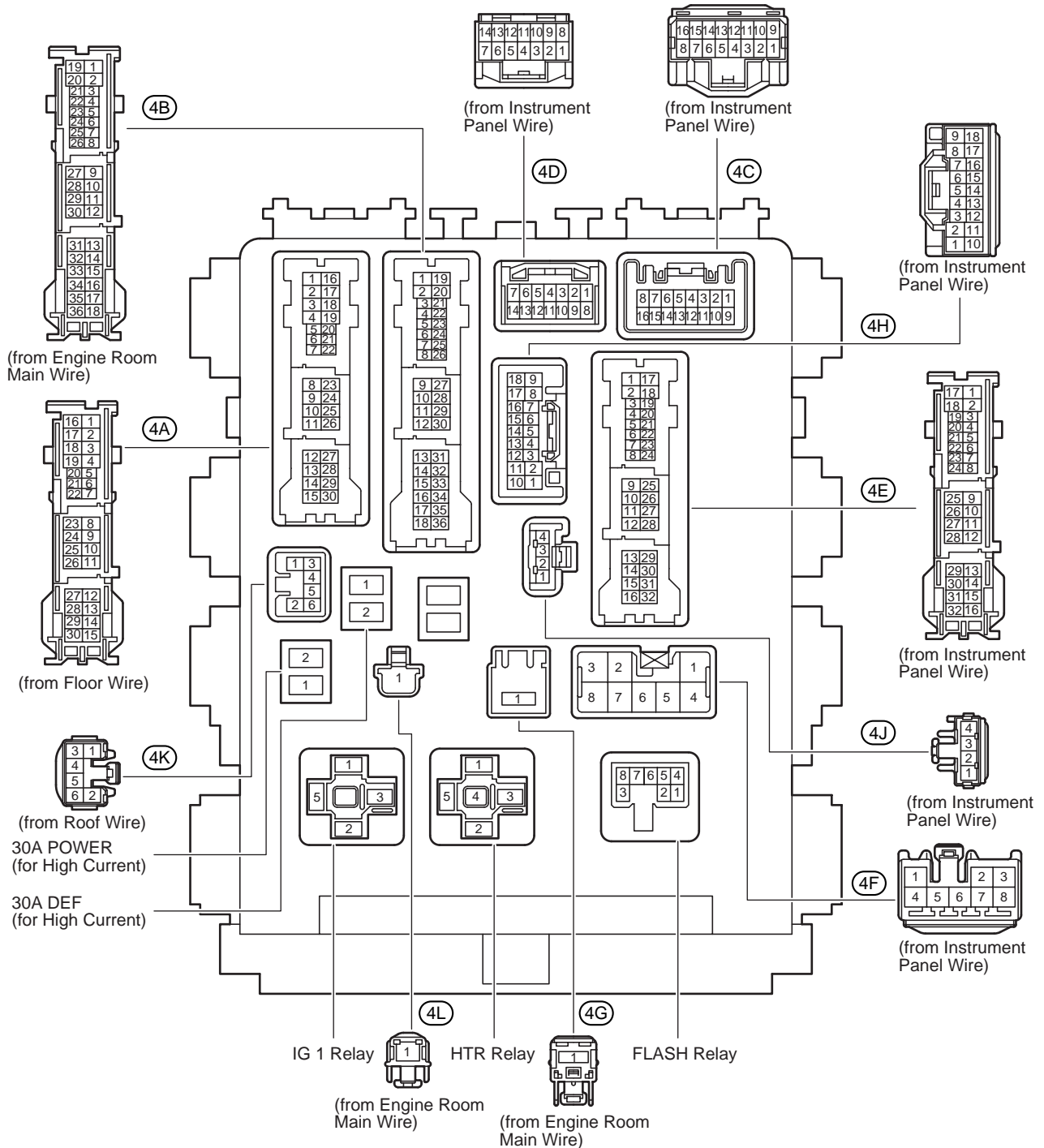
F RELAY LOCATIONS

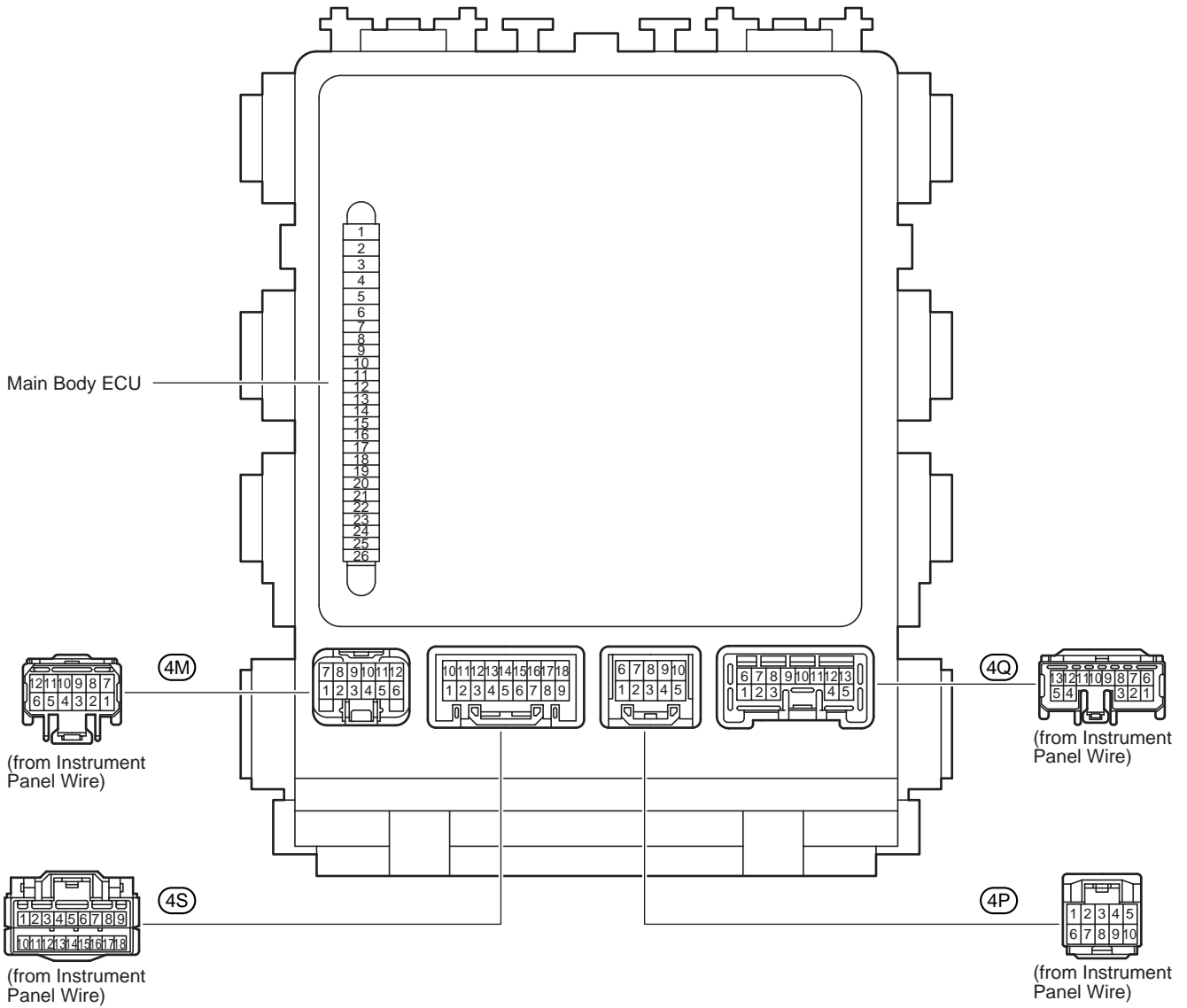
② : Engine Room R/B No.2 | Engine Compartment Right (See Page 20)



F RELAY LOCATIONS

○ : Instrument Panel J/B Lower Finish Panel (See Page 21)

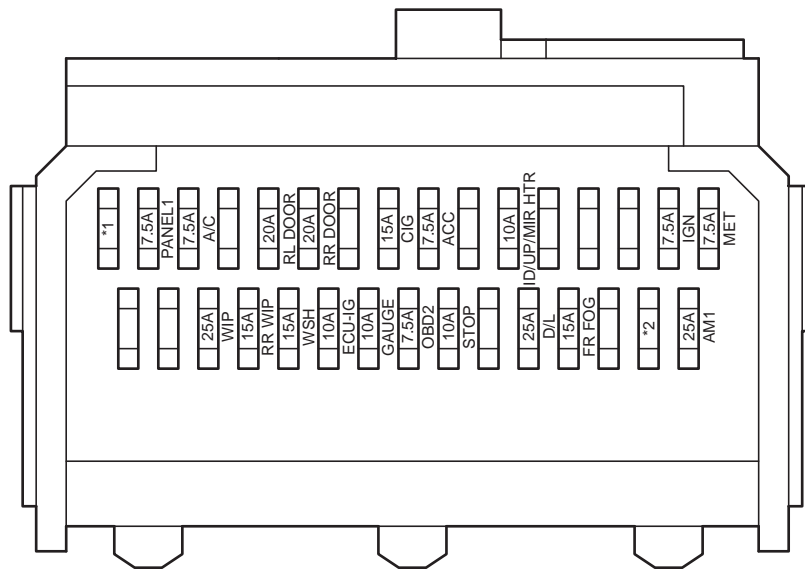




F RELAY LOCATIONS

○ : Instrument Panel J/B Lower Finish Panel (See Page 21)

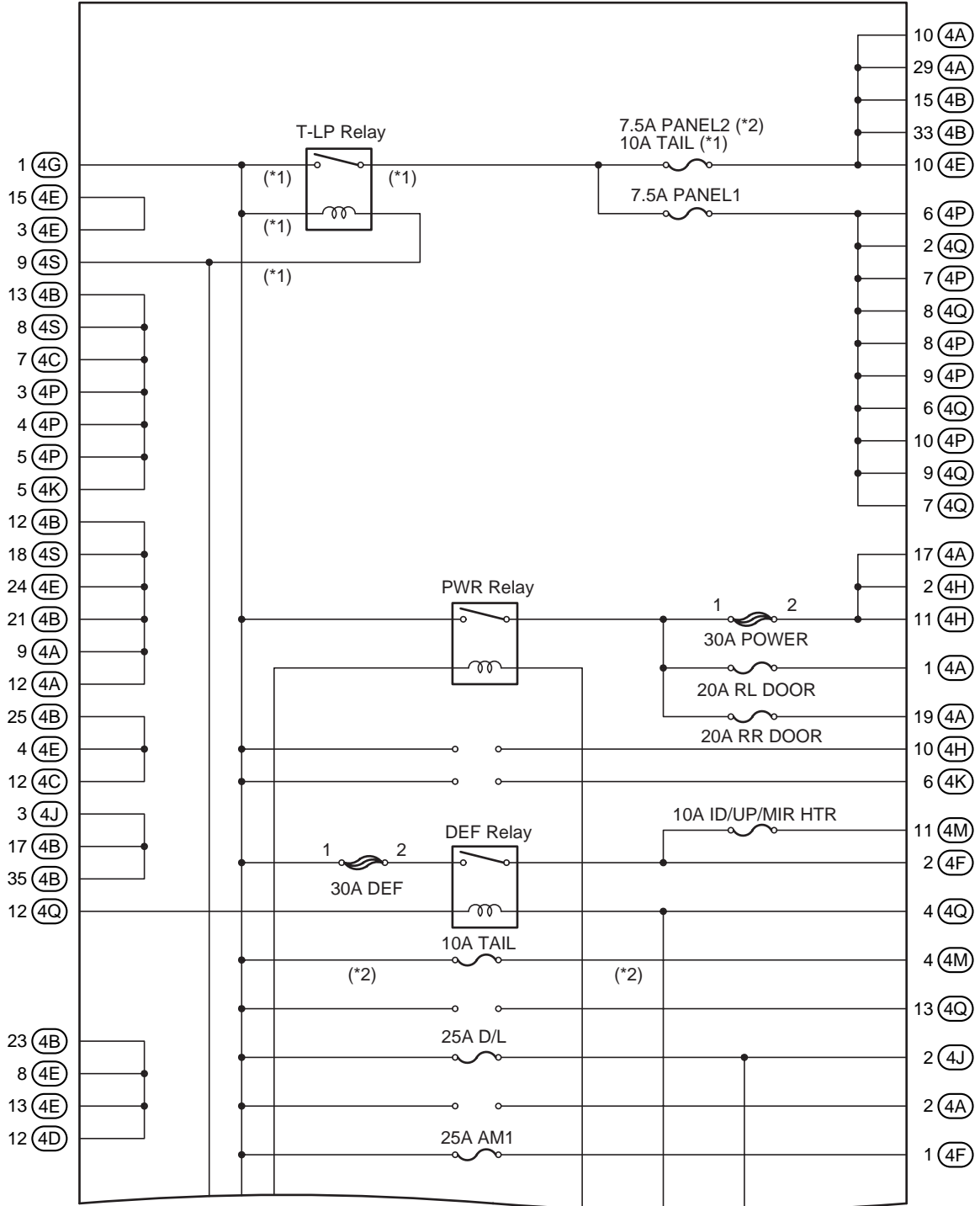
- * 1:10A TAIL (H/B, S/D *3)
7.5A PANEL 2 (*4)
- * 2:10A TAIL (*4)
- * 3: Cold Area Spec., w/ Engine Immobiliser System, w/ ABS, w/ Rear Window Defogger, w/ Door Lock Control, w/ Daytime Running Light, w/ Remote Control Mirror, w/ Air Conditioning
- * 4: Except H/B, S/D *3



F RELAY LOCATIONS

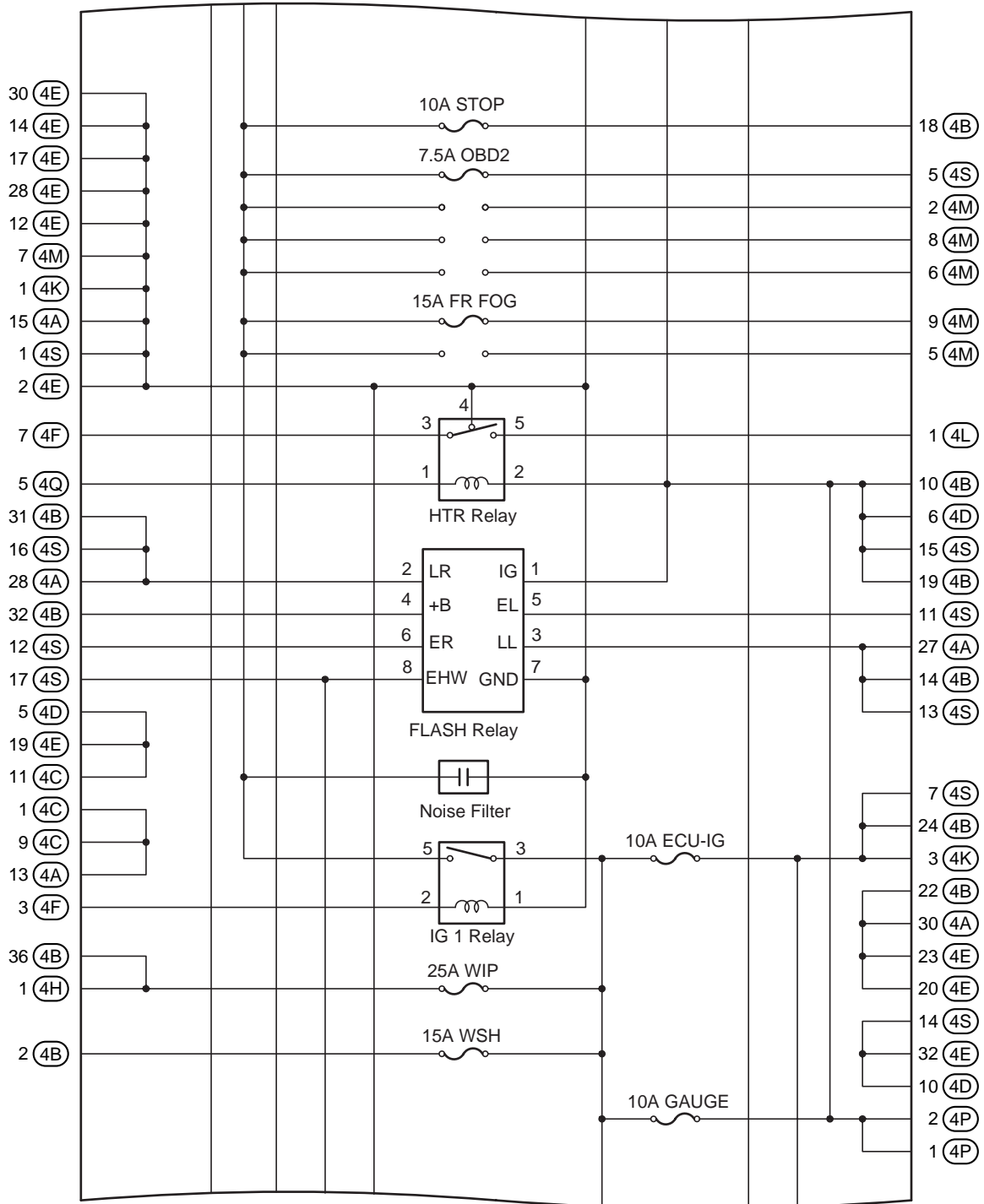
[Instrument Panel J/B Inner Circuit]

- * 1:H/B, S/D *3
- * 2:Except *1
- * 3: Cold Area Spec., w/ Engine Immobiliser System, w/ ABS, w/ Rear Window Defogger, w/ Door Lock Control, w/ Daytime Running Light, w/ Remote Control Mirror, w/ Air Conditioning



(Cont. Next Page)

(Cont'd)

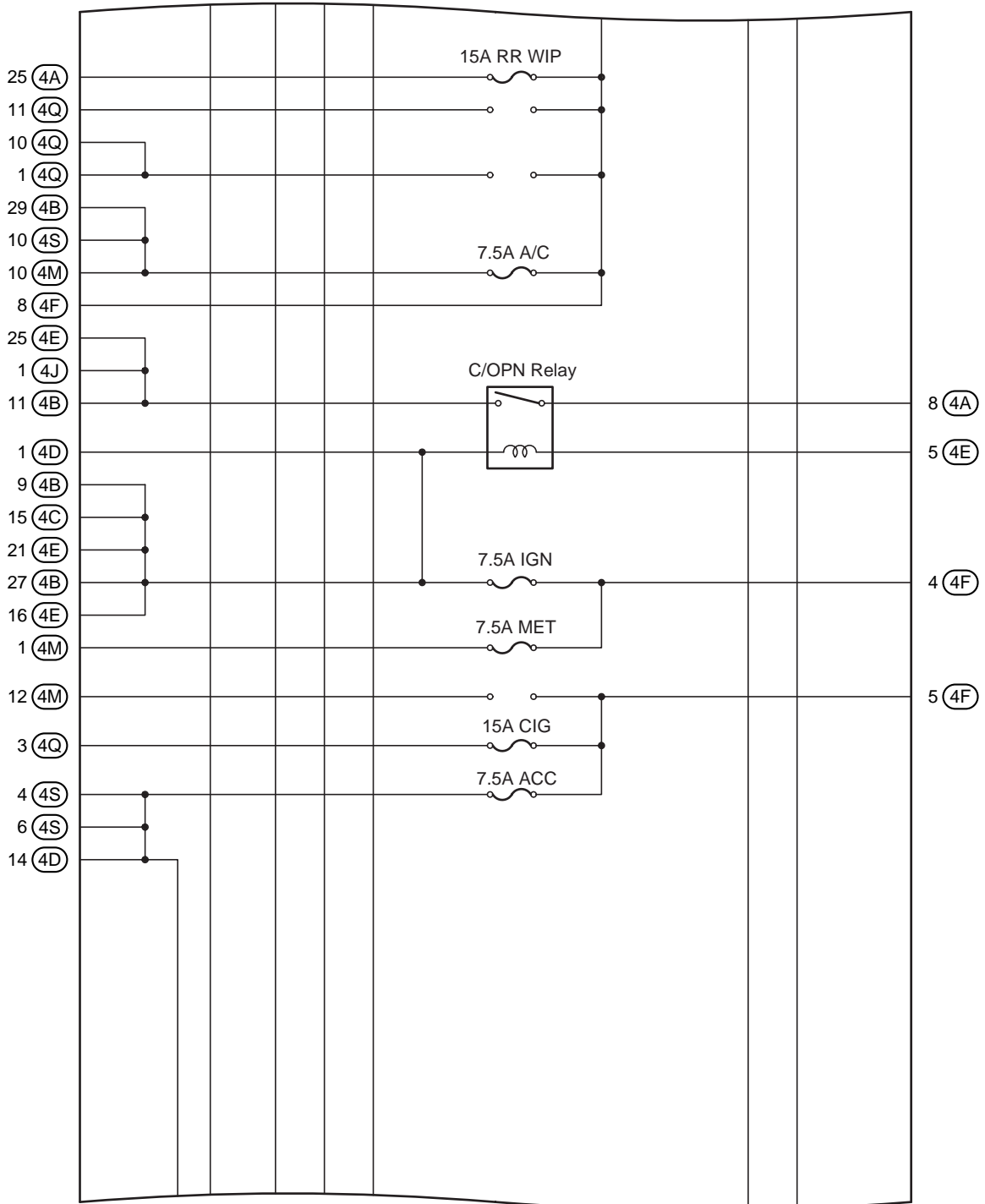


(Cont. Next Page)

F RELAY LOCATIONS

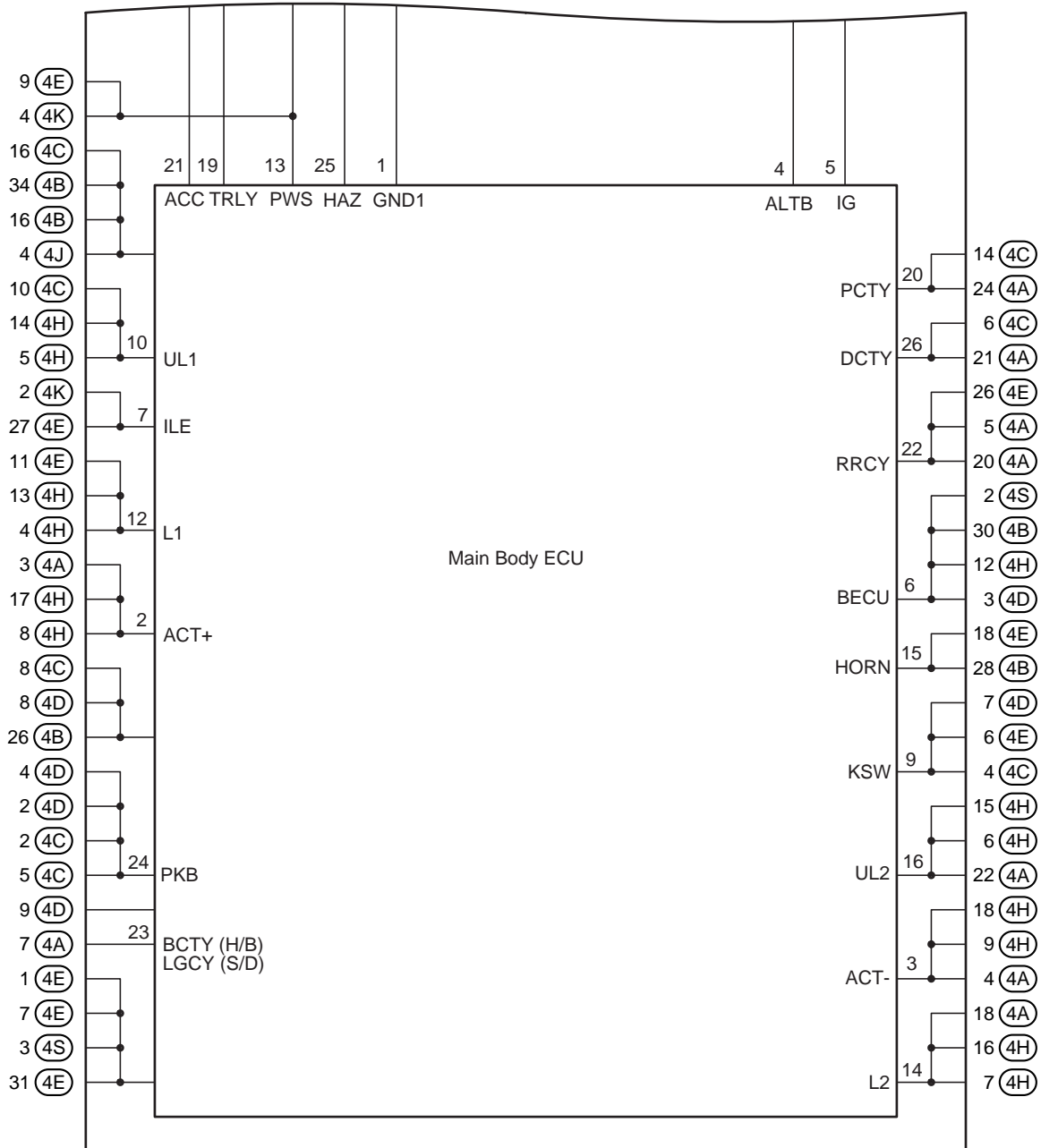
[Instrument Panel J/B Inner Circuit]

(Cont'd)



(Cont. Next Page)

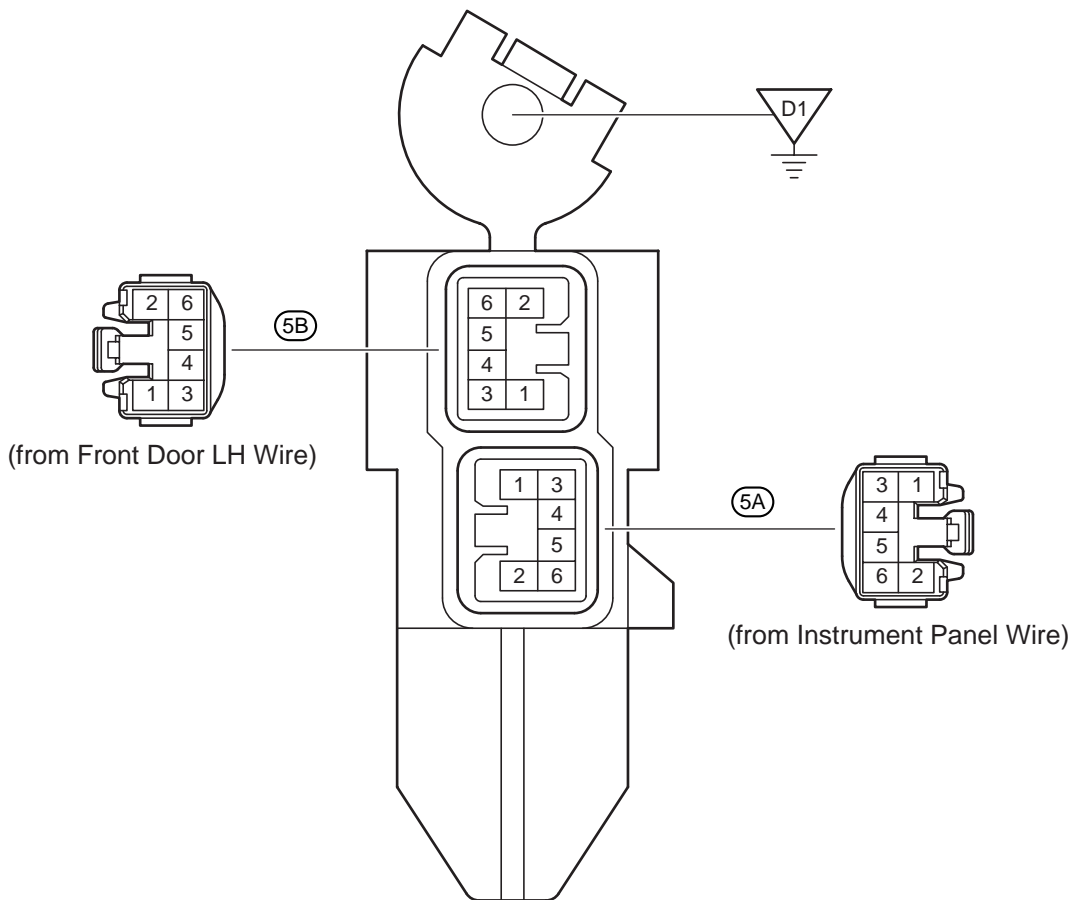
(Cont'd)



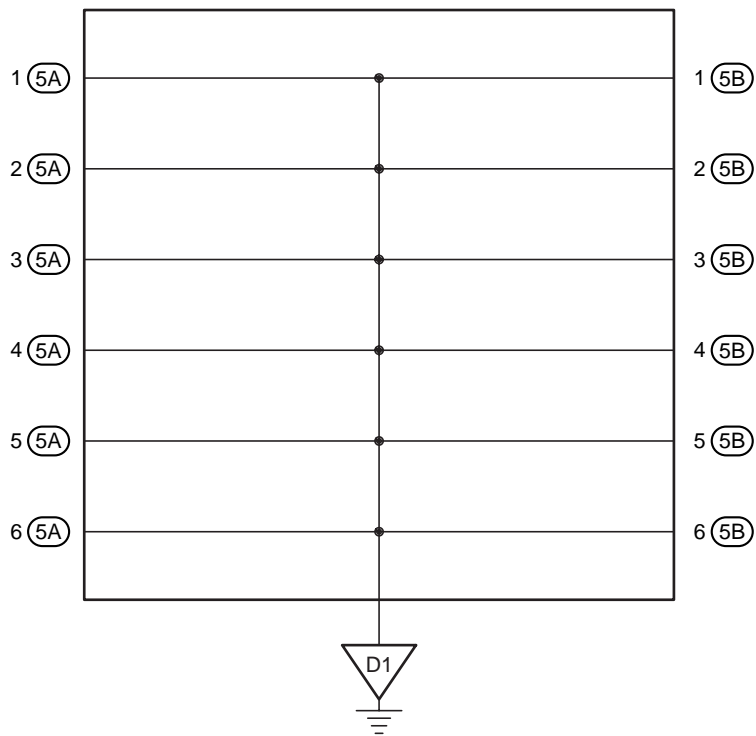
F RELAY LOCATIONS

○ : J/B No.5

Left Kick Panel (See Page 21)



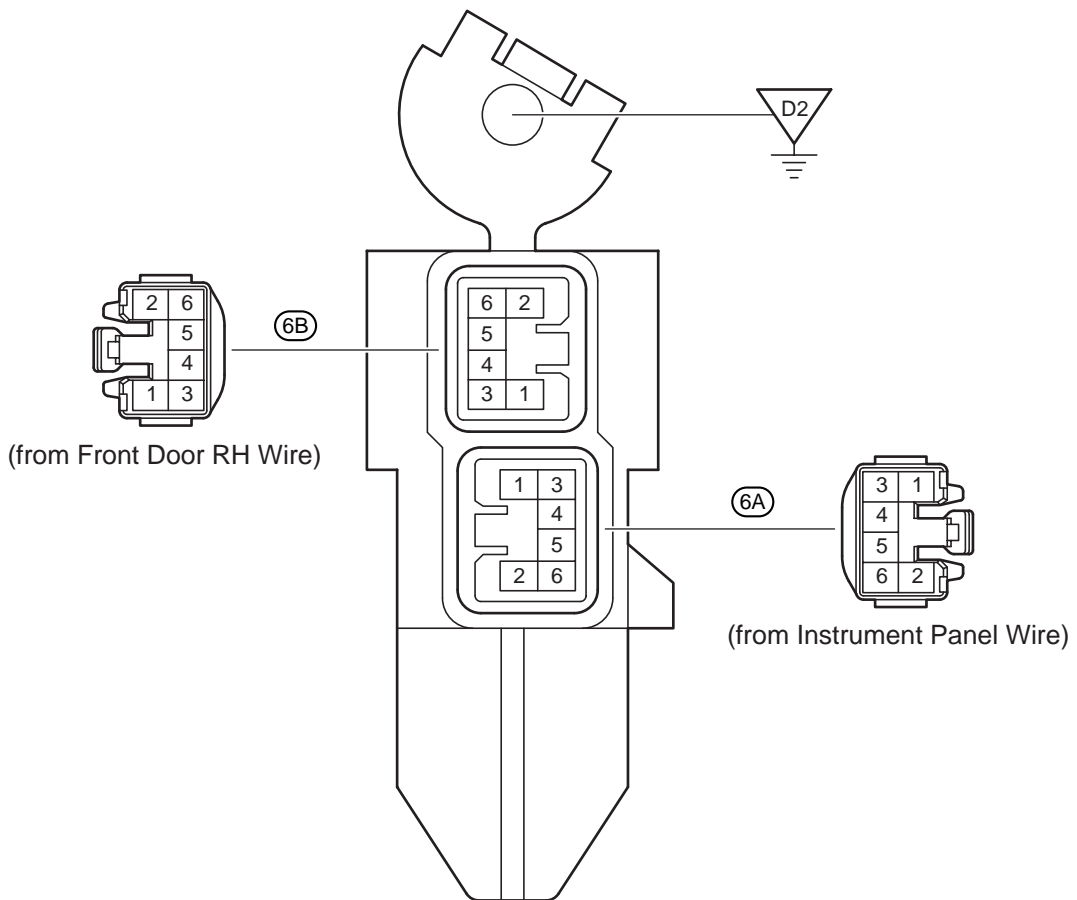
[J/B No.5 Inner Circuit]



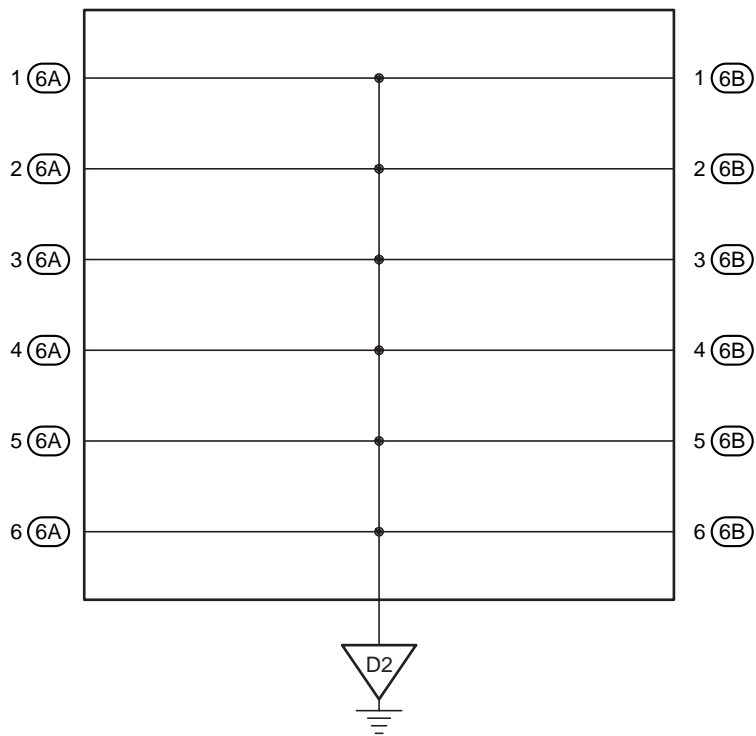
F RELAY LOCATIONS

○ : J/B No.6

Right Kick Panel (See Page 21)



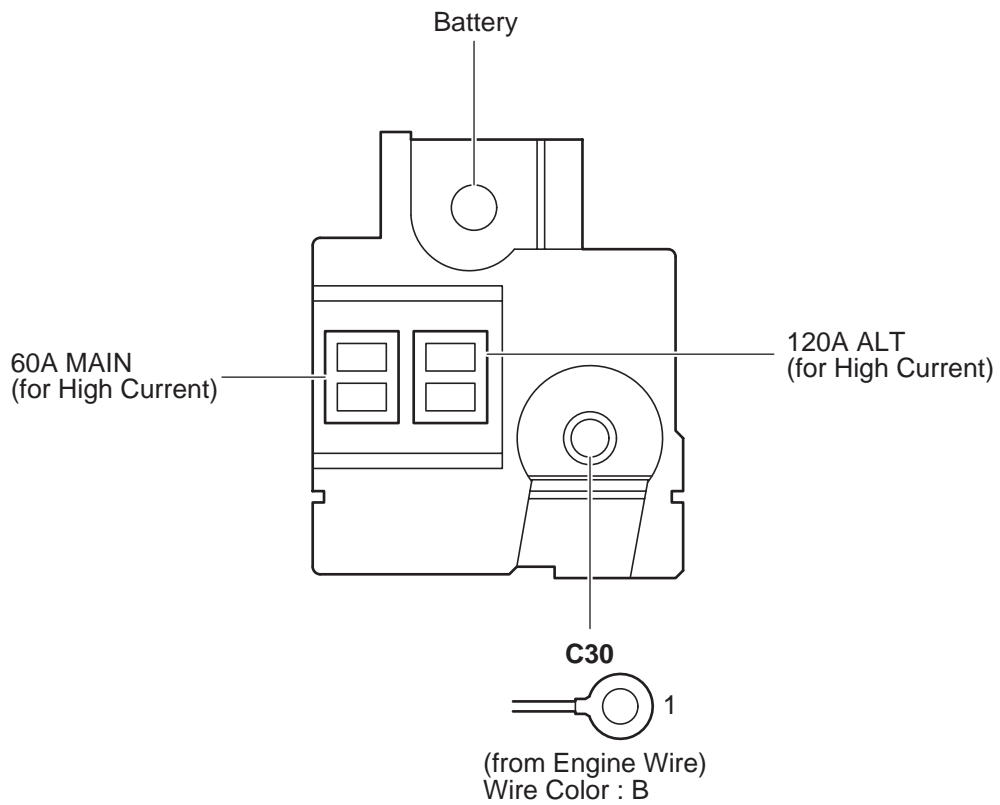
[J/B No.6 Inner Circuit]

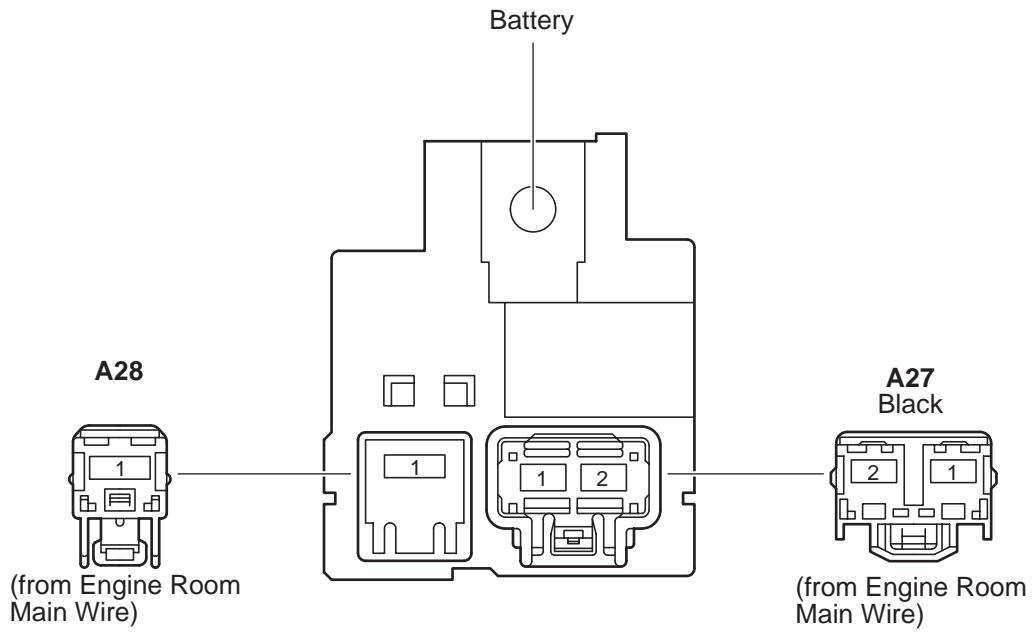


F RELAY LOCATIONS

Fusible Link Block

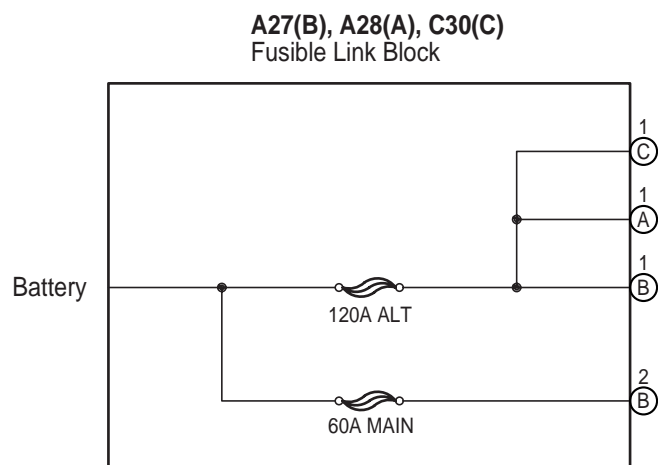
Near the Battery (See Page 20)

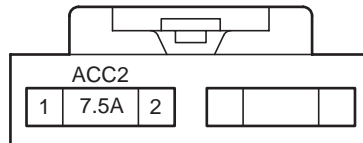




F RELAY LOCATIONS

[Fusible Link Block Inner Circuit]

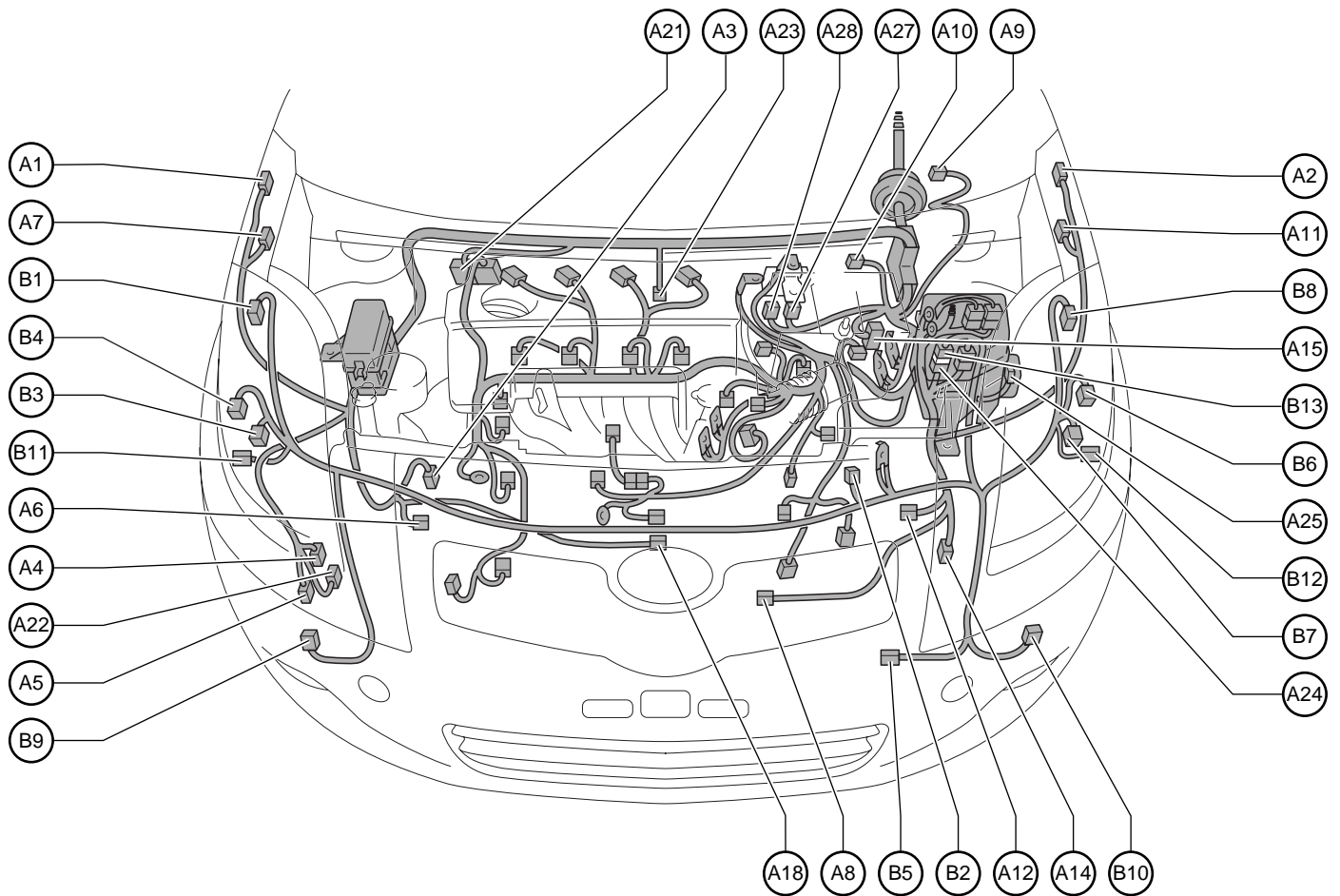


Fuse Block**Near the Instrument Panel J/B (See Page 21)**

G ELECTRICAL WIRING ROUTING

Position of Parts in Engine Compartment

[H/B]

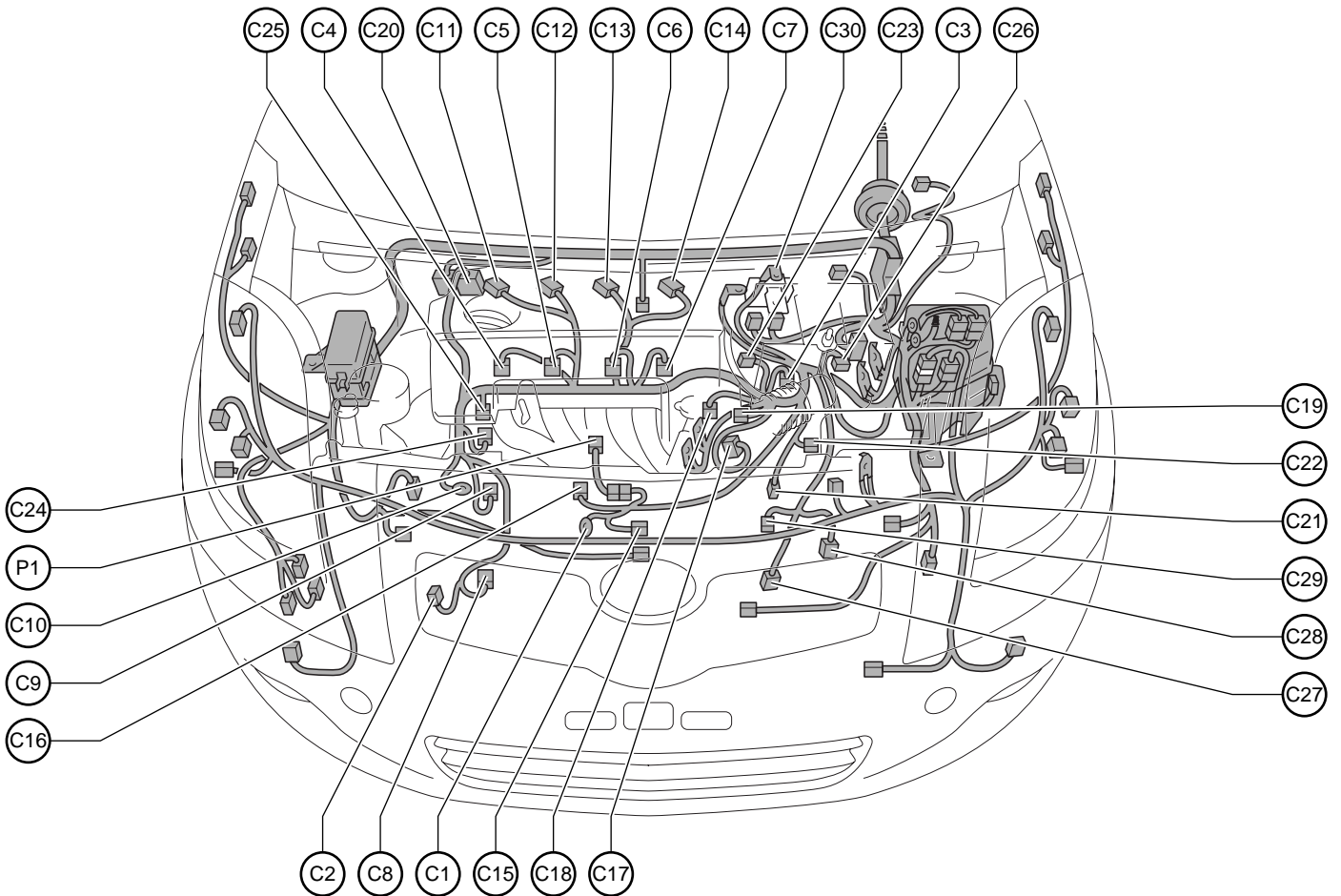


- A 1 Turn Signal Lamp (Front Side RH)
- A 2 Turn Signal Lamp (Front Side LH)
- A 3 A/C Pressure Sensor
- A 4 Rear Washer Motor
- A 5 Windshield Washer Motor
- A 6 Airbag Sensor (Front RH)
- A 7 Speed Sensor (Front RH)
- A 8 Cooling Fan Motor
- A 9 Windshield Wiper Motor
- A 10 Brake Fluid Level Warning SW
- A 11 Speed Sensor (Front LH)
- A 12 Airbag Sensor (Front LH)
- A 14 Radiator Fan Resistor
- A 15 Skid Control ECU with Actuator
- A 18 Engine Hood Courtesy SW
- A 21 Engine Control Module
- A 22 Water Level Warning SW
- A 23 Security Horn
- A 24 Junction Connector
- A 25 Junction Connector
- A 27 Fusible Link Block
- A 28 Fusible Link Block

- B 1 Turn Signal Lamp (Front RH)
- B 2 Horn
- B 3 Parking Lamp (RH)
- B 4 Headlamp (RH)
- B 5 Ambient Temp. Sensor
- B 6 Headlamp (LH)
- B 7 Parking Lamp (LH)
- B 8 Turn Signal Lamp (Front LH)
- B 9 Fog Lamp (Front RH)
- B 10 Fog Lamp (Front LH)
- B 11 Side Marker Lamp (Front RH)
- B 12 Side Marker Lamp (Front LH)
- B 13 Junction Connector

Position of Parts in Engine Compartment

[H/B]



C 1 Starter
 C 2 Crankshaft Position Sensor
 C 3 VSV (Purge)
 C 4 Fuel Injector (No.1)
 C 5 Fuel Injector (No.2)
 C 6 Fuel Injector (No.3)
 C 7 Fuel Injector (No.4)
 C 8 A/C Compressor
 C 9 Generator
 C10 Generator
 C11 Ignition Coil (No.1)
 C12 Ignition Coil (No.2)
 C13 Ignition Coil (No.3)
 C14 Ignition Coil (No.4)
 C15 Starter
 C16 Engine Oil Pressure SW

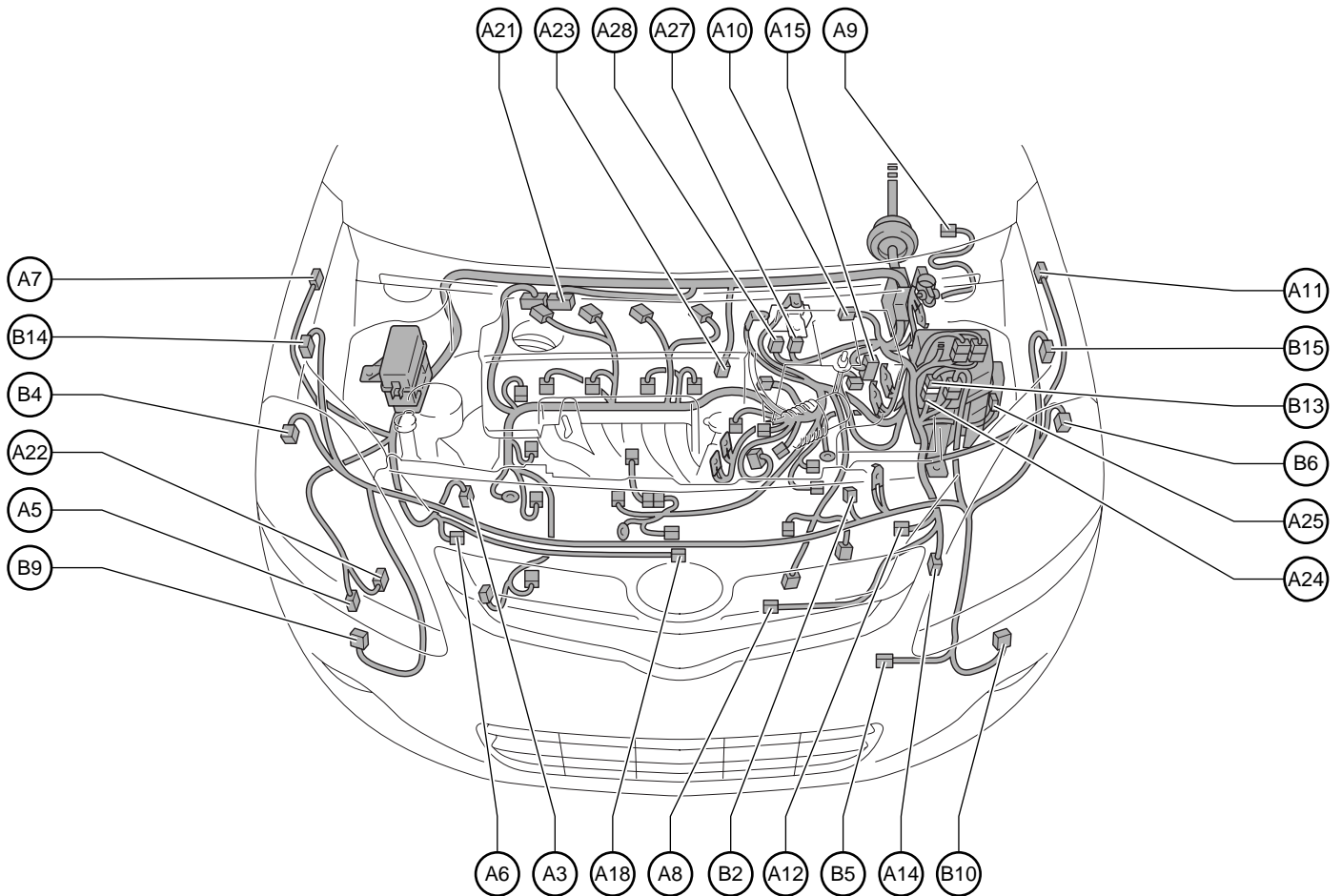
C17 Throttle Body Assembly
 C18 Camshaft Position Sensor
 C19 Engine Coolant Temp. Sensor
 C20 Engine Control Module
 C21 Speed Sensor
 C22 Back-Up Lamp SW
 C23 Air Fuel Ratio Sensor (Bank 1 Sensor 1)
 C24 Camshaft Timing Oil Control Valve
 C25 Noise Filter
 C26 Mass Air Flow Meter
 C27 Park/Neutral Position SW
 C28 Electronically Controlled Transmission Solenoid
 C29 Speed Sensor (Turbine)
 C30 Fusible Link Block

P 1 Knock Control Sensor (Bank 1)

G ELECTRICAL WIRING ROUTING

Position of Parts in Engine Compartment

[S/D]

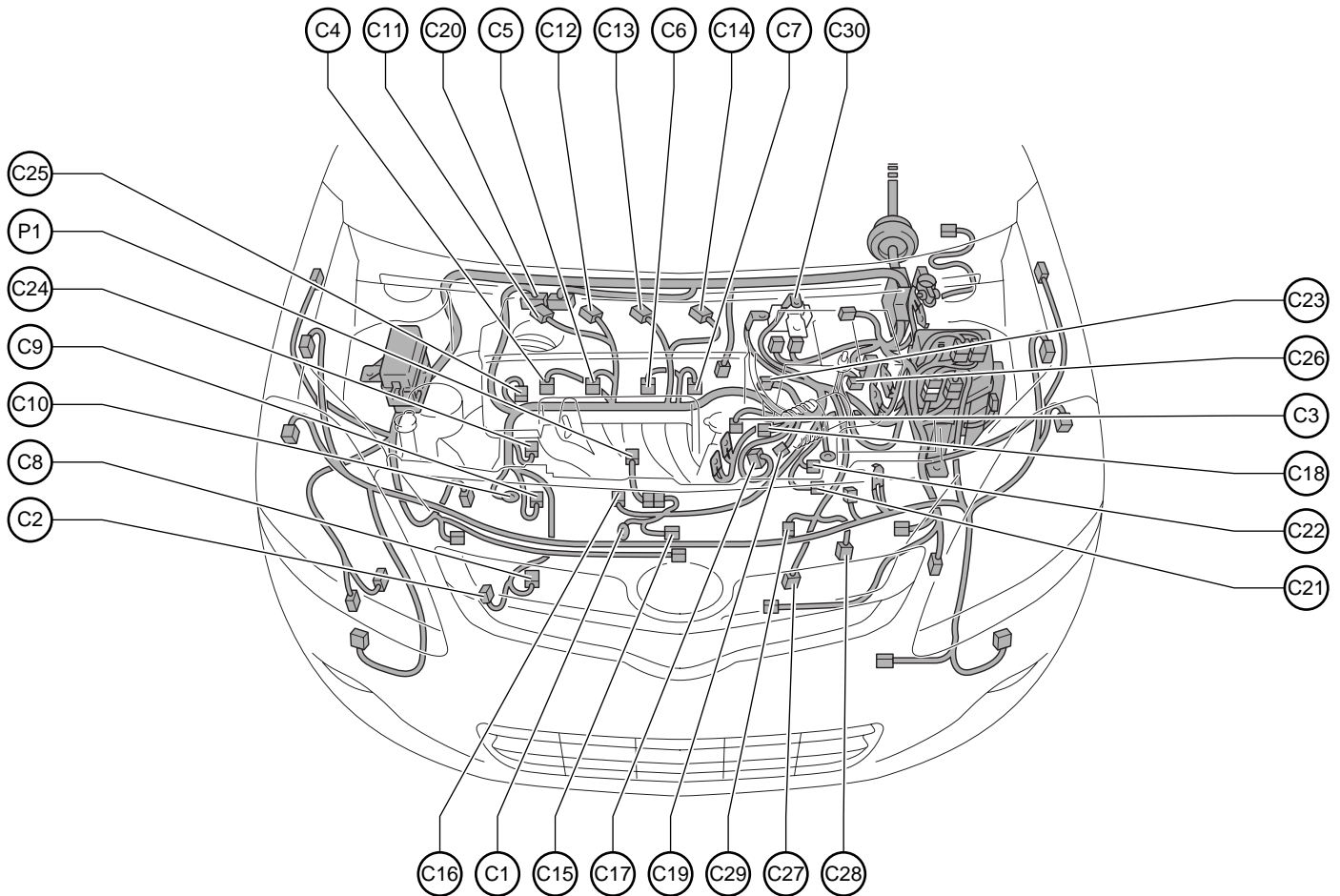


- A 3 A/C Pressure Sensor
- A 5 Windshield Washer Motor
- A 6 Airbag Sensor (Front RH)
- A 7 Speed Sensor (Front RH)
- A 8 Cooling Fan Motor
- A 9 Windshield Wiper Motor
- A 10 Brake Fluid Level Warning SW
- A 11 Speed Sensor (Front LH)
- A 12 Airbag Sensor (Front LH)
- A 14 Radiator Fan Resistor
- A 15 Skid Control ECU with Actuator
- A 18 Engine Hood Courtesy SW
- A 21 Engine Control Module
- A 22 Water Level Warning SW
- A 23 Security Horn
- A 24 Junction Connector
- A 25 Junction Connector
- A 27 Fusible Link Block
- A 28 Fusible Link Block

- B 2 Horn
- B 4 Headlamp (RH)
- B 5 Ambient Temp. Sensor
- B 6 Headlamp (LH)
- B 9 Fog Lamp (Front RH)
- B 10 Fog Lamp (Front LH)
- B 13 Junction Connector
- B 14 Turn Signal, Side Marker and Parking Lamp (RH)
- B 15 Turn Signal, Side Marker and Parking Lamp (LH)

Position of Parts in Engine Compartment

[S/D]



C 1 Starter
 C 2 Crankshaft Position Sensor
 C 3 VSV (Purge)
 C 4 Fuel Injector (No.1)
 C 5 Fuel Injector (No.2)
 C 6 Fuel Injector (No.3)
 C 7 Fuel Injector (No.4)
 C 8 A/C Compressor
 C 9 Generator
 C10 Generator
 C11 Ignition Coil (No.1)
 C12 Ignition Coil (No.2)
 C13 Ignition Coil (No.3)
 C14 Ignition Coil (No.4)
 C15 Starter
 C16 Engine Oil Pressure SW

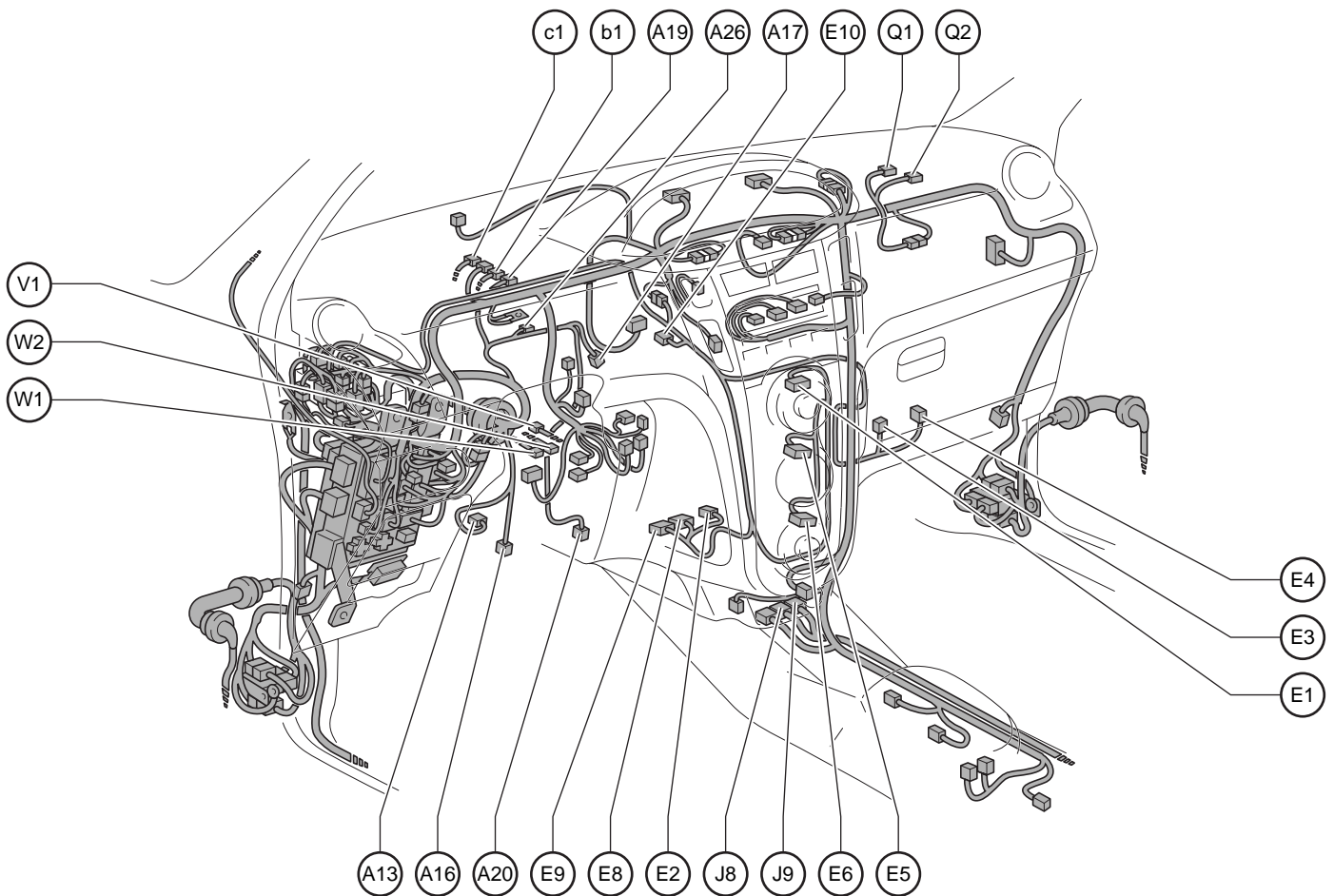
C17 Throttle Body Assembly
 C18 Camshaft Position Sensor
 C19 Engine Coolant Temp. Sensor
 C20 Engine Control Module
 C21 Speed Sensor
 C22 Back-Up Lamp SW
 C23 Air Fuel Ratio Sensor (Bank 1 Sensor 1)
 C24 Camshaft Timing Oil Control Valve
 C25 Noise Filter
 C26 Mass Air Flow Meter
 C27 Park/Neutral Position SW
 C28 Electronically Controlled Transmission Solenoid
 C29 Speed Sensor (Turbine)
 C30 Fusible Link Block

P 1 Knock Control Sensor (Bank 1)

G ELECTRICAL WIRING ROUTING

Position of Parts in Instrument Panel

[H/B]



A13 Stop Lamp SW
 A16 Clutch Start SW
 A17 PTC Heater
 A19 Power Steering ECU
 A20 Accelerator Position Sensor
 A26 Junction Connector

E 1 Blower SW
 E 2 A/C Thermistor No.1
 E 3 Blower Resistor
 E 4 Blower Motor
 E 5 A/C SW
 E 6 Rear Window Defogger SW
 E 8 A/C Amplifier
 E 9 A/C Amplifier
 E10 Junction Connector

J 8 Airbag Sensor Assembly Center
 J 9 Airbag Sensor Assembly Center

Q 1 Airbag Squib (Front Passenger's Airbag Assembly)
 Q 2 Airbag Squib (Front Passenger's Airbag Assembly)

V 1 Spiral Cable
 Steering Pad SW

W 1 Airbag Squib (Steering Wheel Pad)
 Spiral Cable

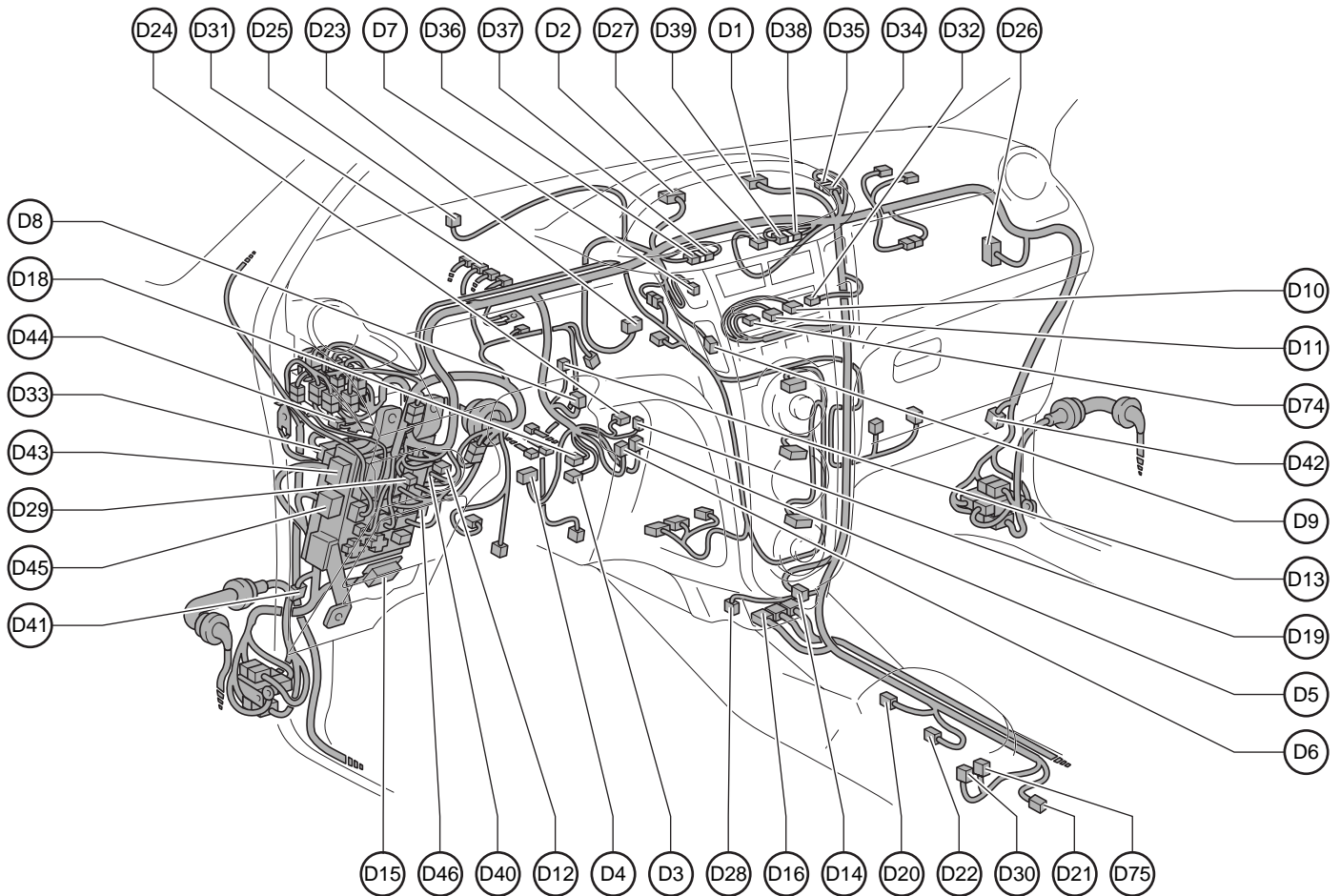
W 2 Airbag Squib (Steering Wheel Pad)
 Spiral Cable

b 1 Power Steering ECU
 Power Steering Motor

c 1 Power Steering ECU
 Power Steering Torque Sensor

Position of Parts in Instrument Panel

[H/B]



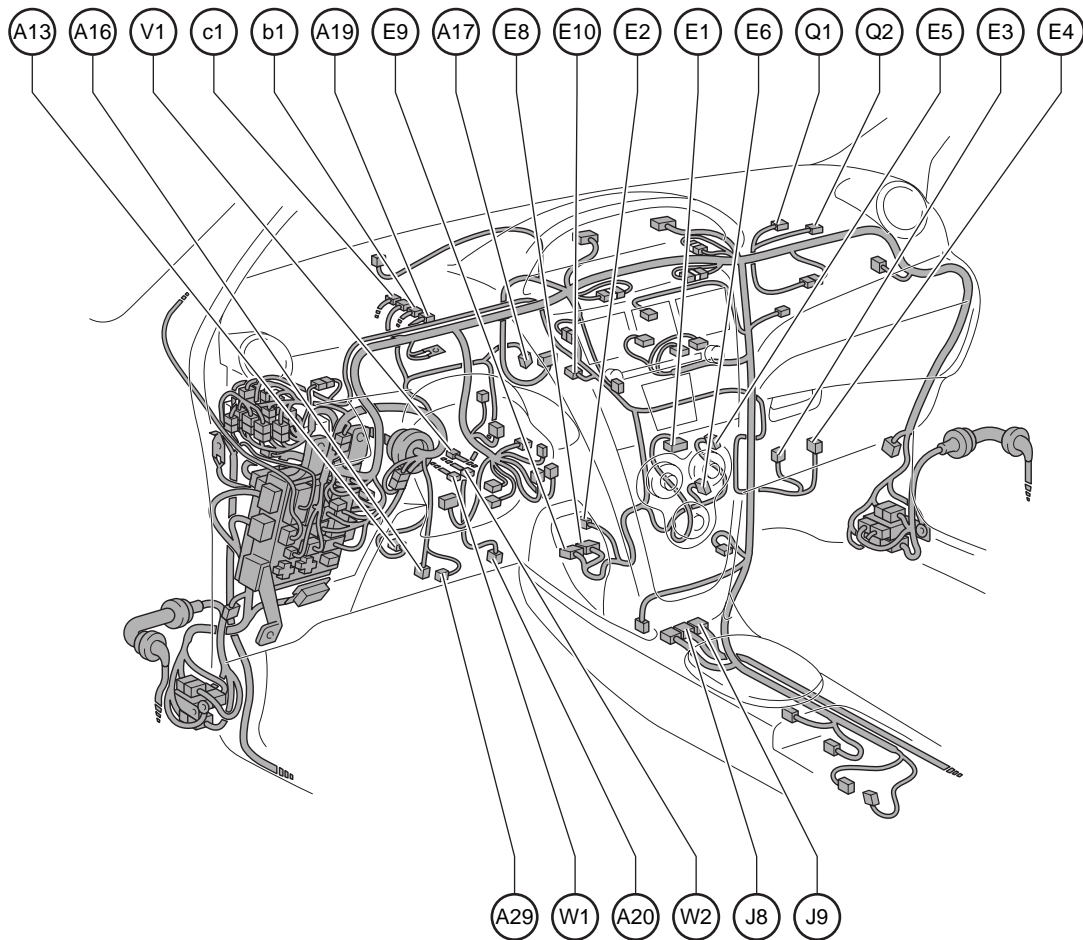
D 1 Combination Meter
 D 2 Combination Meter
 D 3 Spiral Cable
 D 4 Headlamp Dimmer SW Assembly
 D 5 Windshield Wiper SW Assembly
 D 6 Windshield Wiper SW Assembly
 D 7 Hazard Warning Signal SW
 D 8 Ignition SW
 D 9 Running Light Relay
 D10 Radio Receiver Assembly
 D11 Radio Receiver Assembly
 D12 Outer Mirror SW
 D13 Key Interlock Solenoid
 D14 Cigarette Lighter or Power Outlet
 D15 Data Link Connector 3
 D16 Airbag Sensor Assembly Center
 D18 Spiral Cable
 D19 Unlock Warning SW
 D20 A/T Shift Lever Illumination
 D21 Parking Brake SW
 D22 Shift Lock Control ECU
 D23 Transponder Key ECU
 D24 Transponder Key Amplifier
 D25 Security Indicator Lamp

D26 Theft Warning ECU
 D27 Passenger Seat Belt Warning Lamp
 D28 Oxygen Sensor (Bank 1 Sensor 2)
 D29 Light Control Rheostat
 D30 Door Lock Control SW
 D31 Power Steering ECU
 D32 Antenna Amplifier
 D33 Main Body ECU
 D34 Junction Connector
 D35 Junction Connector
 D36 Junction Connector
 D37 Junction Connector
 D38 Junction Connector
 D39 Junction Connector
 D40 Junction Connector
 D41 Junction Connector
 D42 Junction Connector
 D43 Fuse Block
 D44 Diode (Starter)
 D45 ACC Cut Relay
 D46 Front Fog Light Relay
 D74 Radio Receiver Assembly
 D75 Stereo Jack Adapter

G ELECTRICAL WIRING ROUTING

Position of Parts in Instrument Panel

[S/D]



A13 Stop Lamp SW
 A16 Clutch Start SW
 A17 PTC Heater
 A19 Power Steering ECU
 A20 Accelerator Position Sensor
 A29 Cruise Control Clutch SW

E 1 Blower SW
 E 2 A/C Thermistor No.1
 E 3 Blower Resistor
 E 4 Blower Motor
 E 5 A/C SW
 E 6 Rear Window Defogger SW
 E 8 A/C Amplifier
 E 9 A/C Amplifier
 E10 Junction Connector

J 8 Airbag Sensor Assembly Center
 J 9 Airbag Sensor Assembly Center

Q 1 Airbag Squib (Front Passenger's Airbag Assembly)
 Q 2 Airbag Squib (Front Passenger's Airbag Assembly)

V 1 Cruise Control SW
 Spiral Cable
 Steering Pad SW

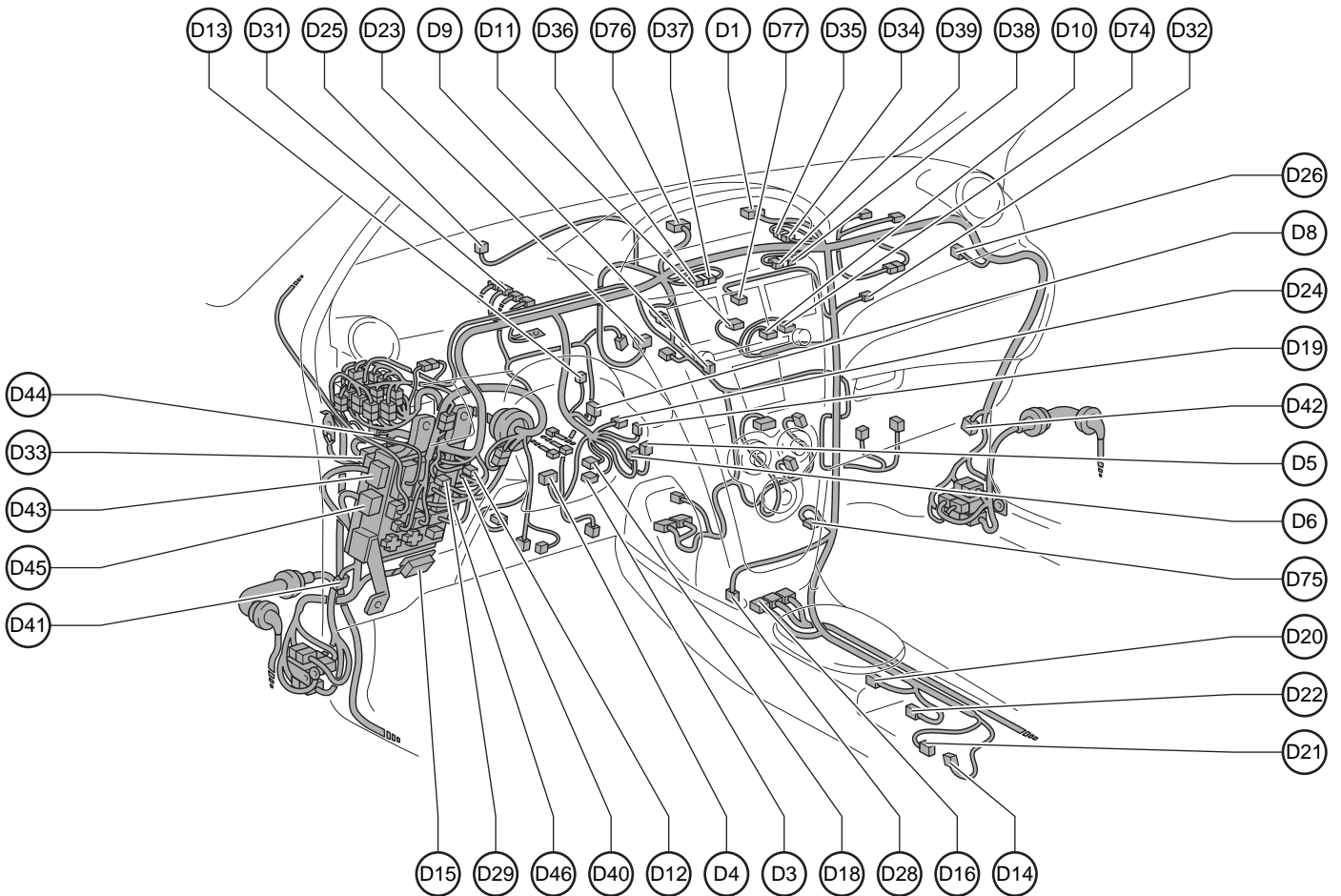
W 1 Airbag Squib (Steering Wheel Pad)
 Spiral Cable
 W 2 Airbag Squib (Steering Wheel Pad)
 Spiral Cable

b 1 Power Steering ECU
 Power Steering Motor

c 1 Power Steering ECU
 Power Steering Torque Sensor

Position of Parts in Instrument Panel

[S/D]

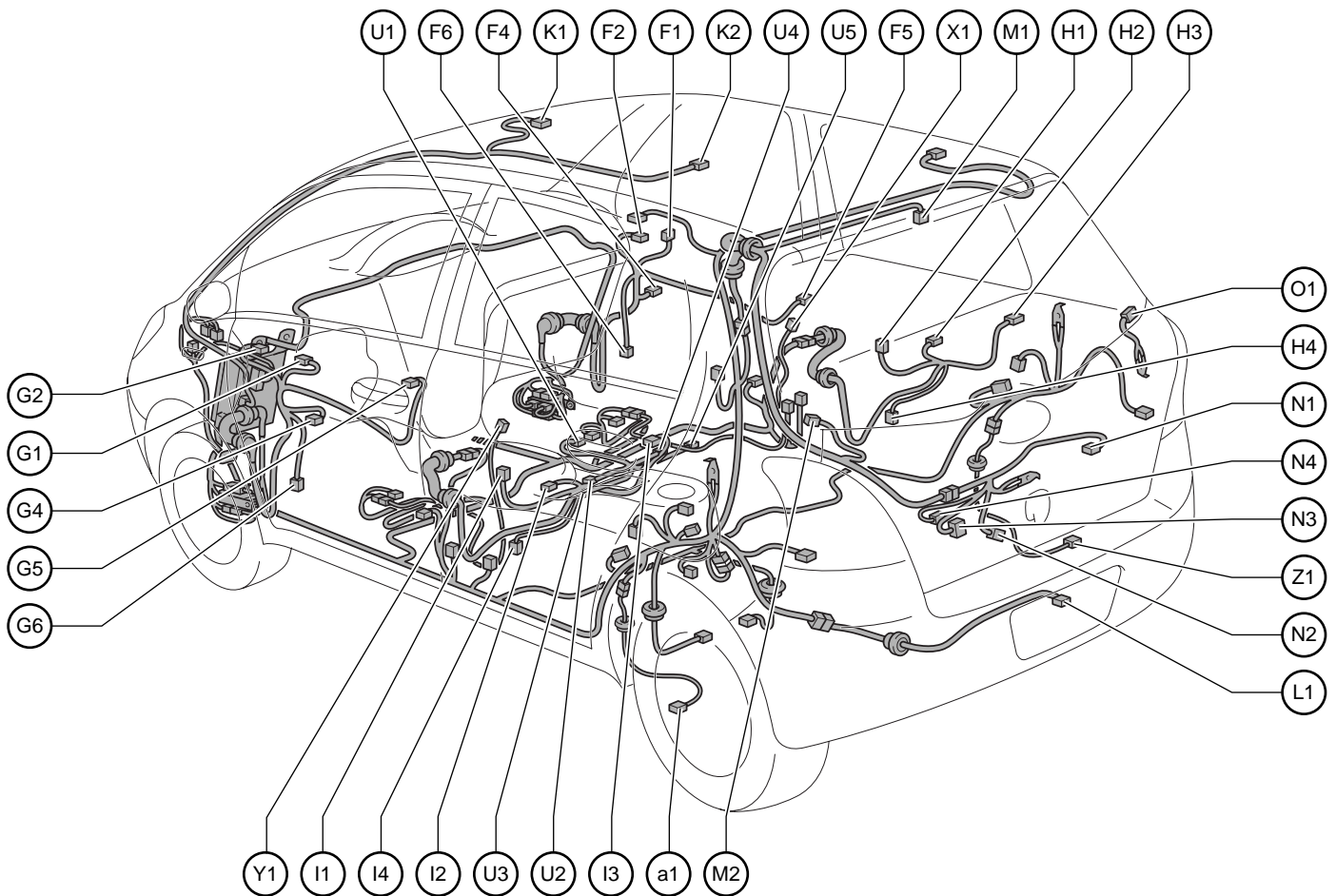


- | | | | |
|-----|-----------------------------------|-----|---------------------------------|
| D 1 | Combination Meter | D28 | Oxygen Sensor (Bank 1 Sensor 2) |
| D 3 | Spiral Cable | D29 | Light Control Rheostat |
| D 4 | Headlamp Dimmer SW Assembly | D31 | Power Steering ECU |
| D 5 | Windshield Wiper SW Assembly | D32 | Antenna Amplifier |
| D 6 | Windshield Wiper SW Assembly | D33 | Main Body ECU |
| D 8 | Ignition SW | D34 | Junction Connector |
| D 9 | Running Light Relay | D35 | Junction Connector |
| D10 | Radio Receiver Assembly | D36 | Junction Connector |
| D11 | Radio Receiver Assembly | D37 | Junction Connector |
| D12 | Outer Mirror SW | D38 | Junction Connector |
| D13 | Key Interlock Solenoid | D39 | Junction Connector |
| D14 | Cigarette Lighter or Power Outlet | D40 | Junction Connector |
| D15 | Data Link Connector 3 | D41 | Junction Connector |
| D16 | Airbag Sensor Assembly Center | D42 | Junction Connector |
| D18 | Spiral Cable | D43 | Fuse Block |
| D19 | Unlock Warning SW | D44 | Diode (Starter) |
| D20 | A/T Shift Lever Illumination | D45 | ACC Cut Relay |
| D21 | Parking Brake SW | D46 | Front Fog Light Relay |
| D22 | Shift Lock Control ECU | D74 | Radio Receiver Assembly |
| D23 | Transponder Key ECU | D75 | Stereo Jack Adapter |
| D24 | Transponder Key Amplifier | D76 | Combination Meter |
| D25 | Security Indicator Lamp | D77 | Hazard Warning Signal SW |
| D26 | Theft Warning ECU | | |

G ELECTRICAL WIRING ROUTING

Position of Parts in Body

[5-Door]



- F 1 Power Window SW (Front RH)
- F 2 Outer Rear View Mirror (RH)
- F 4 Power Window Regulator Motor (Front RH)
- F 5 Door Lock Assembly (Front Passenger's Side)
- F 6 Speaker (Front Door RH)

- G 1 Power Window Master SW
- G 2 Outer Rear View Mirror (LH)
- G 4 Power Window Regulator Motor (Front LH)
- G 5 Door Lock Assembly (Driver's Side)
- G 6 Speaker (Front Door LH)

- H 1 Power Window SW (Rear RH)
- H 2 Power Window Regulator Motor (Rear RH)
- H 3 Door Lock Assembly (Rear RH)
- H 4 Speaker (Rear RH)

- I 1 Power Window SW (Rear LH)
- I 2 Power Window Regulator Motor (Rear LH)
- I 3 Door Lock Assembly (Rear LH)
- I 4 Speaker (Rear LH)

- K 1 Map Lamp
- K 2 Room Lamp (Center)

- L 1 License Plate Lamp
- M 1 Center Stop Lamp
- M 2 Rear Window Defogger

- N 1 Rear Wiper Motor Assembly
- N 2 Back Door Courtesy SW
- N 3 Back Door Lock Assembly
- N 4 Back Door Position SW

- O 1 Rear Window Defogger

- U 1 Occupant Classification ECU
- U 2 Occupant Classification Sensor (Front LH)
- U 3 Occupant Classification Sensor (Rear LH)
- U 4 Occupant Classification Sensor (Front RH)
- U 5 Occupant Classification Sensor (Rear RH)

- X 1 Side Airbag Squib (RH)

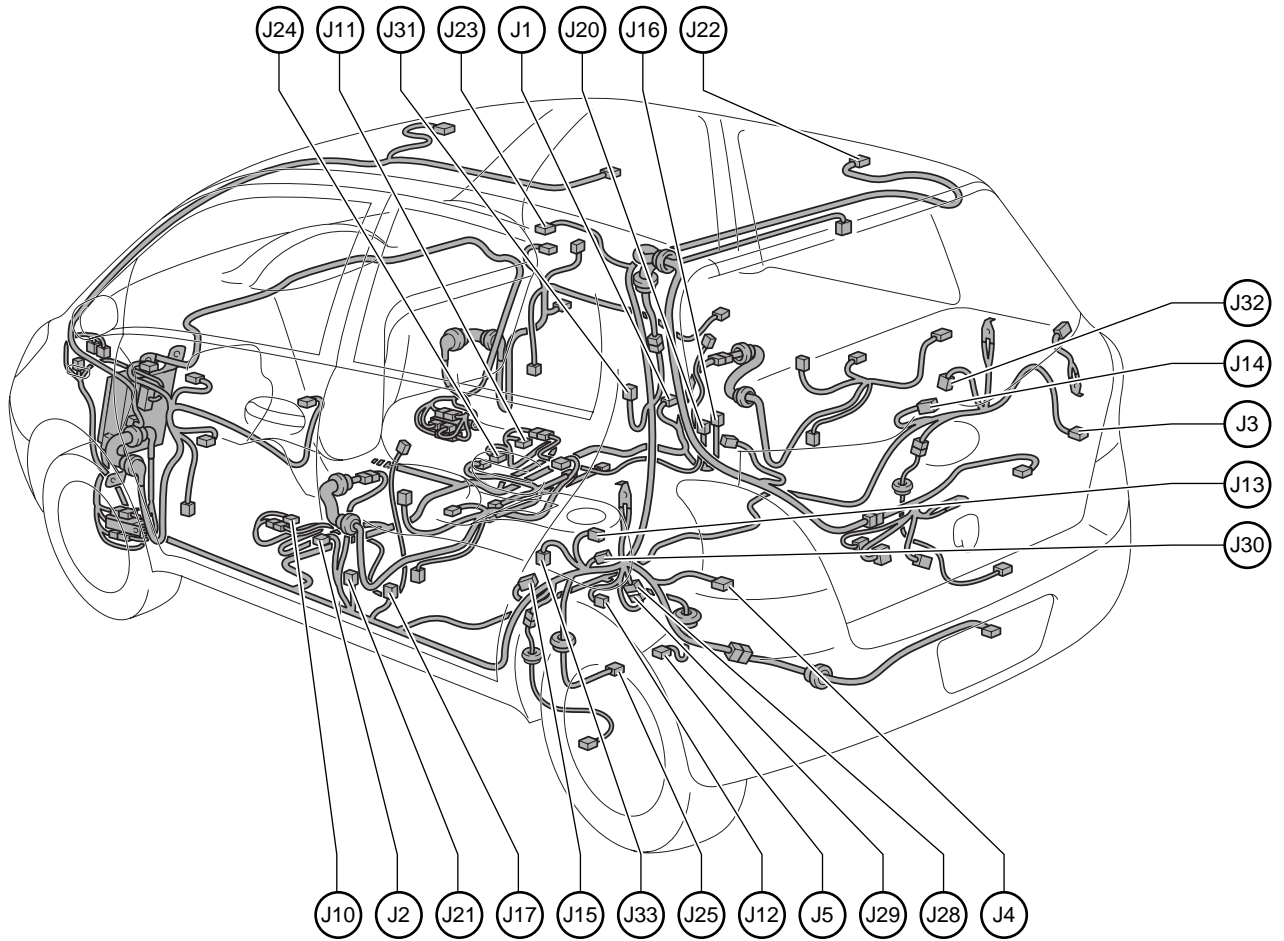
- Y 1 Side Airbag Squib (LH)

- Z 1 Speed Sensor (Rear RH)

- a 1 Speed Sensor (Rear LH)

Position of Parts in Body

[5-Door]

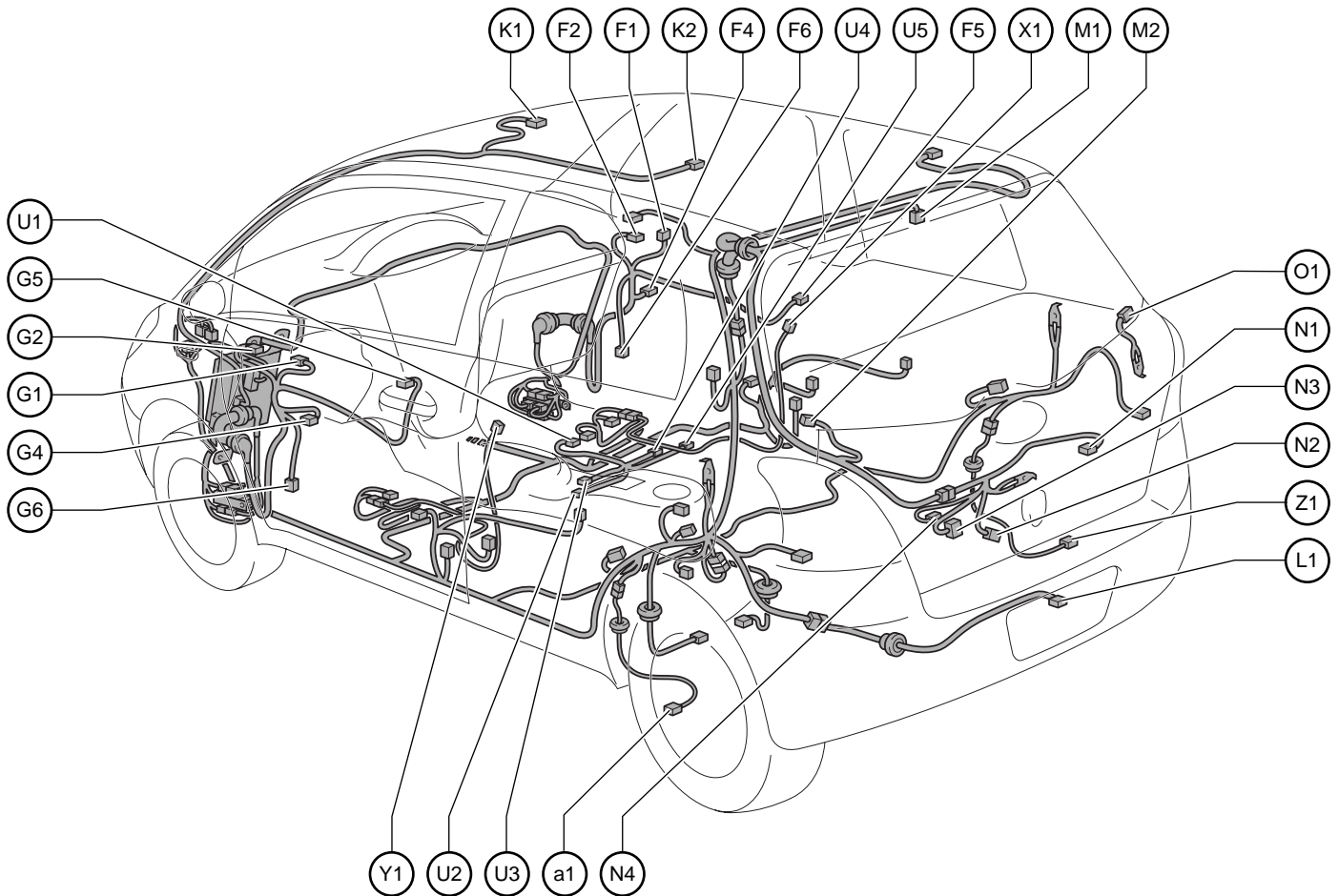


- | | |
|--|---------------------------------------|
| J 1 Door Courtesy SW (Front RH) | J 20 Pretensioner (RH) |
| J 2 Door Courtesy SW (Front LH) | J 21 Pretensioner (LH) |
| J 3 Rear Combination Lamp (RH) | J 22 Curtain Shield Airbag Squib (RH) |
| J 4 Rear Combination Lamp (LH) | J 23 Curtain Shield Airbag Squib (LH) |
| J 5 Fuel Suction Pump and Gage Assembly | J 24 Occupant Classification ECU |
| J 10 Front Seat Inner Belt (Driver's Side) | J 25 Canister Pump Module |
| J 11 Front Seat Inner Belt Assembly (Front RH) | J 28 Junction Connector |
| J 12 Room Lamp (Luggage) | J 29 Junction Connector |
| J 13 Door Control Receiver | J 30 Diode (Room Lamp) |
| J 14 Airbag Sensor (Rear RH) | J 31 Noise Filter |
| J 15 Airbag Sensor (Rear LH) | J 32 Door Courtesy SW (Rear RH) |
| J 16 Side Airbag Sensor (RH) | J 33 Door Courtesy SW (Rear LH) |
| J 17 Side Airbag Sensor (LH) | |

G ELECTRICAL WIRING ROUTING

Position of Parts in Body

[3-Door]



F 1 Power Window SW (Front RH)
 F 2 Outer Rear View Mirror (RH)
 F 4 Power Window Regulator Motor (Front RH)
 F 5 Door Lock Assembly (Front Passenger's Side)
 F 6 Speaker (Front Door RH)

G 1 Power Window Master SW
 G 2 Outer Rear View Mirror (LH)
 G 4 Power Window Regulator Motor (Front LH)
 G 5 Door Lock Assembly (Driver's Side)
 G 6 Speaker (Front Door LH)

K 1 Map Lamp
 K 2 Room Lamp (Center)

L 1 License Plate Lamp

M 1 Center Stop Lamp
 M 2 Rear Window Defogger

N 1 Rear Wiper Motor Assembly
 N 2 Back Door Courtesy SW
 N 3 Back Door Lock Assembly
 N 4 Back Door Position SW

O 1 Rear Window Defogger

U 1 Occupant Classification ECU
 U 2 Occupant Classification Sensor (Front LH)
 U 3 Occupant Classification Sensor (Rear LH)
 U 4 Occupant Classification Sensor (Front RH)
 U 5 Occupant Classification Sensor (Rear RH)

X 1 Side Airbag Squib (RH)

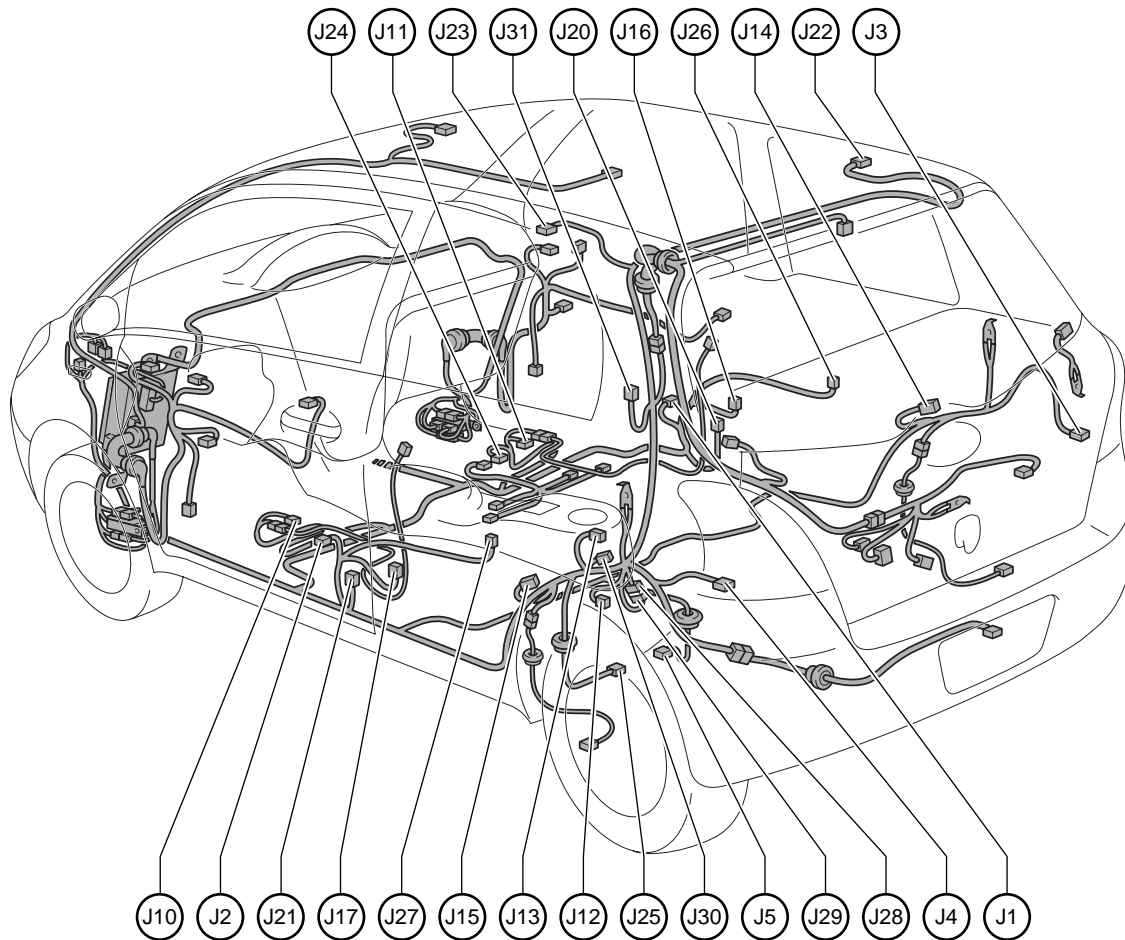
Y 1 Side Airbag Squib (LH)

Z 1 Speed Sensor (Rear RH)

a 1 Speed Sensor (Rear LH)

Position of Parts in Body

[3-Door]

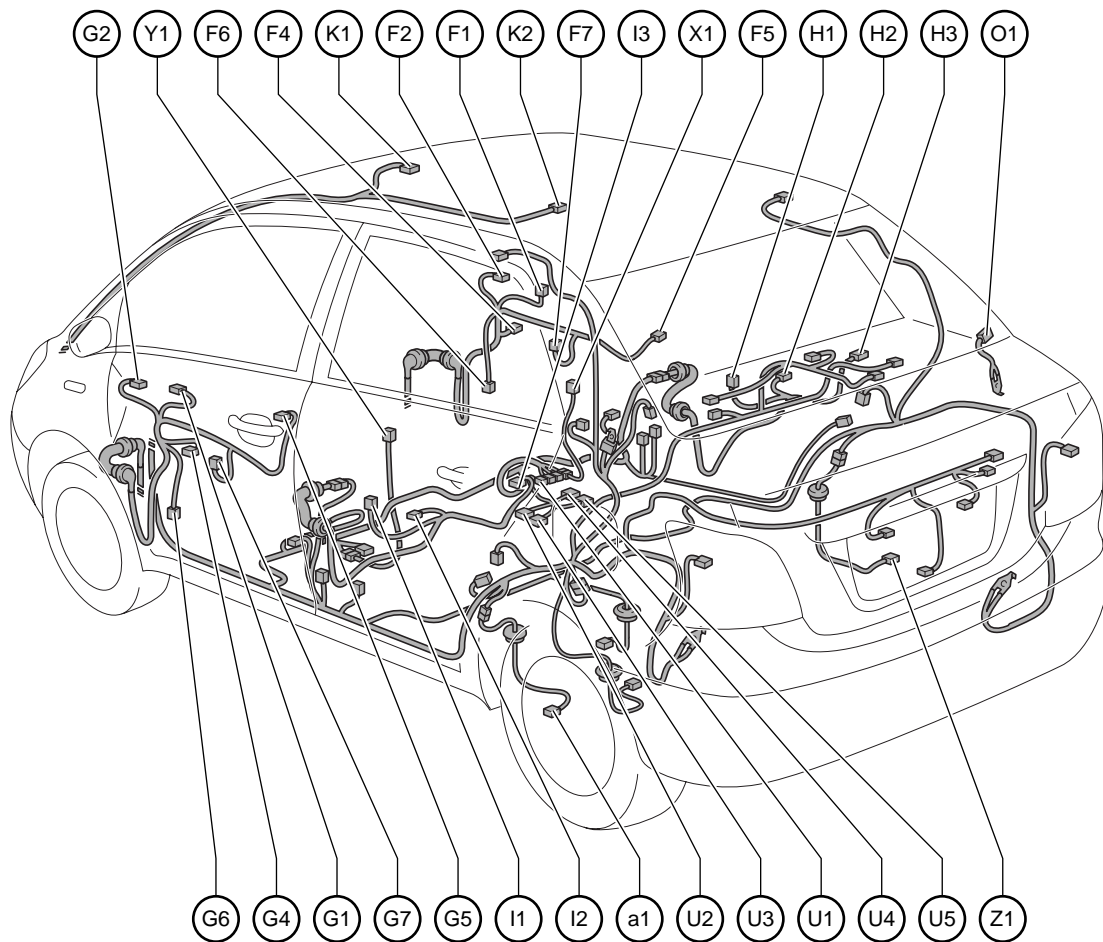


- | | |
|--|---------------------------------------|
| J 1 Door Courtesy SW (Front RH) | J 20 Pretensioner (RH) |
| J 2 Door Courtesy SW (Front LH) | J 21 Pretensioner (LH) |
| J 3 Rear Combination Lamp (RH) | J 22 Curtain Shield Airbag Squib (RH) |
| J 4 Rear Combination Lamp (LH) | J 23 Curtain Shield Airbag Squib (LH) |
| J 5 Fuel Suction Pump and Gage Assembly | J 24 Occupant Classification ECU |
| J 10 Front Seat Inner Belt (Driver's Side) | J 25 Canister Pump Module |
| J 11 Front Seat Inner Belt Assembly (Front RH) | J 26 Speaker (Rear RH) |
| J 12 Room Lamp (Luggage) | J 27 Speaker (Rear LH) |
| J 13 Door Control Receiver | J 28 Junction Connector |
| J 14 Airbag Sensor (Rear RH) | J 29 Junction Connector |
| J 15 Airbag Sensor (Rear LH) | J 30 Diode (Room Lamp) |
| J 16 Side Airbag Sensor (RH) | J 31 Noise Filter |
| J 17 Side Airbag Sensor (LH) | |

G ELECTRICAL WIRING ROUTING

Position of Parts in Body

[4-Door]



- F 1 Power Window SW (Front RH)
- F 2 Outer Rear View Mirror (RH)
- F 4 Power Window Regulator Motor (Front RH)
- F 5 Door Lock Assembly (Front Passenger's Side)
- F 6 Speaker (Front Door RH)
- F 7 Door Lock Control SW (Front Passenger's Side)

- G 1 Power Window Master SW
- G 2 Outer Rear View Mirror (LH)
- G 4 Power Window Regulator Motor (Front LH)
- G 5 Door Lock Assembly (Driver's Side)
- G 6 Speaker (Front Door LH)
- G 7 Door Lock Control SW (Driver's Side)

- H 1 Power Window SW (Rear RH)
- H 2 Power Window Regulator Motor (Rear RH)
- H 3 Door Lock Assembly (Rear RH)

- I 1 Power Window SW (Rear LH)
- I 2 Power Window Regulator Motor (Rear LH)
- I 3 Door Lock Assembly (Rear LH)

- K 1 Map Lamp
- K 2 Room Lamp (Center)
- O 1 Rear Window Defogger

- U 1 Occupant Classification ECU
- U 2 Occupant Classification Sensor (Front LH)
- U 3 Occupant Classification Sensor (Rear LH)
- U 4 Occupant Classification Sensor (Front RH)
- U 5 Occupant Classification Sensor (Rear RH)

- X 1 Side Airbag Squib (RH)

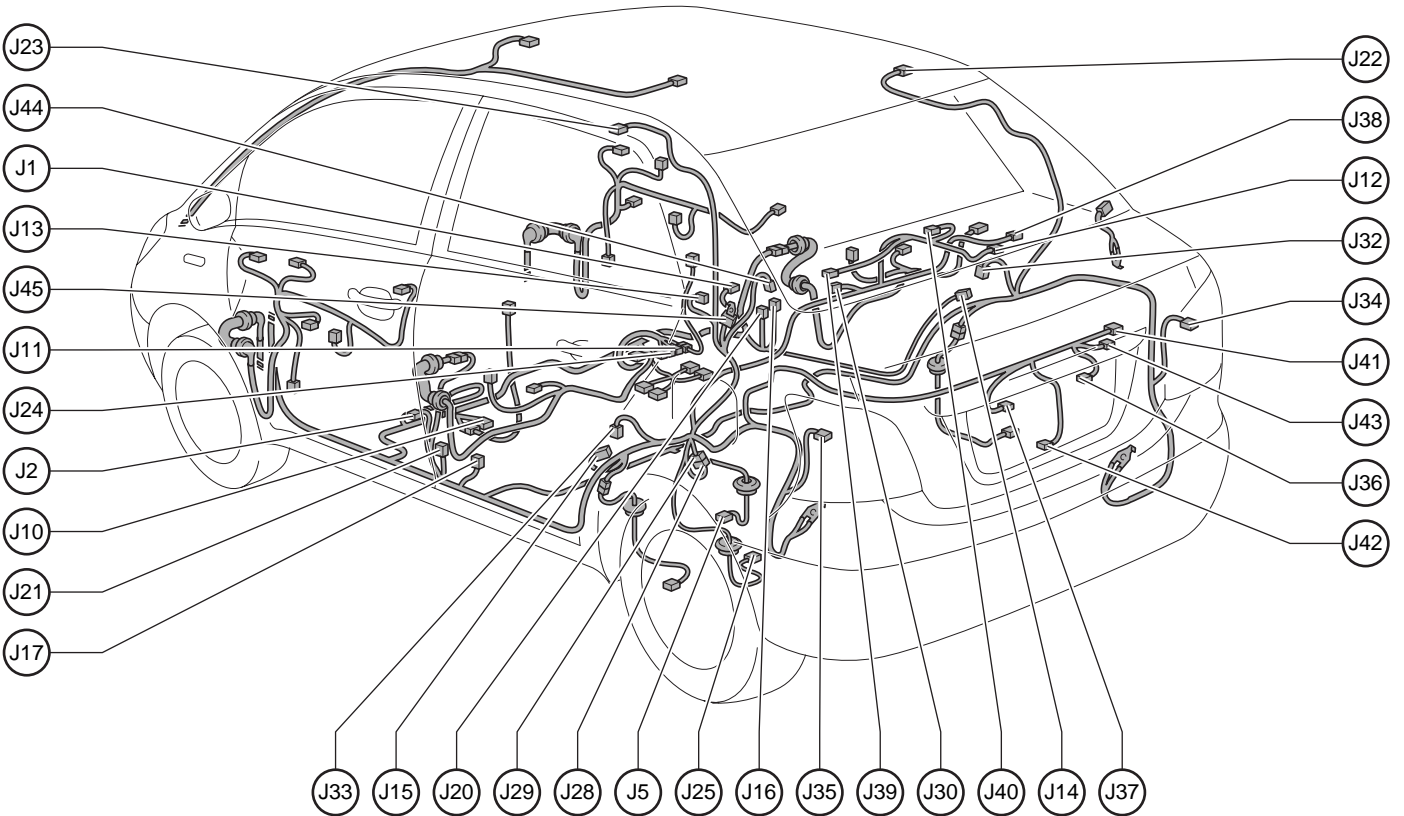
- Y 1 Side Airbag Squib (LH)

- Z 1 Speed Sensor (Rear RH)

- a 1 Speed Sensor (Rear LH)

Position of Parts in Body

[4-Door]



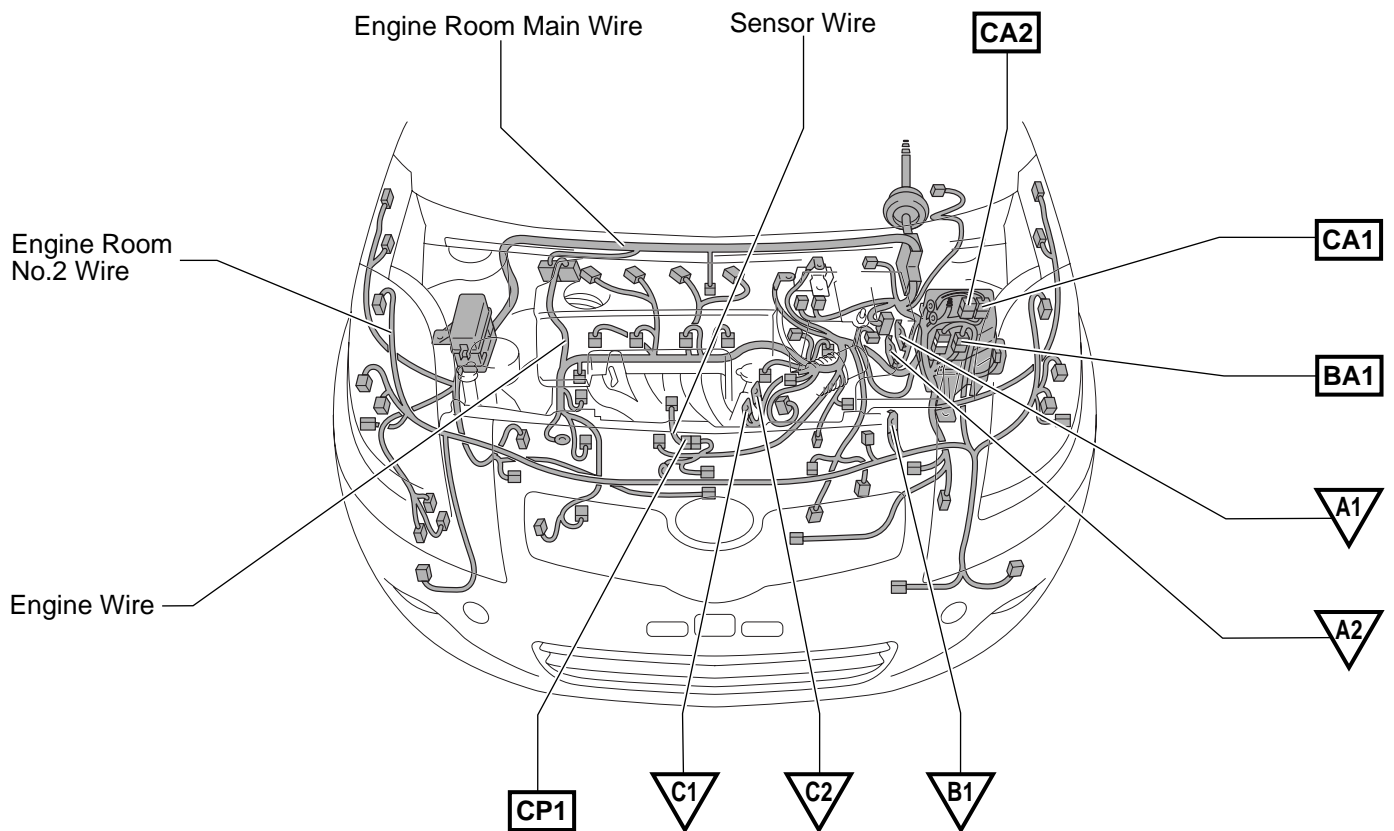
- | | |
|--|-----------------------------------|
| J 1 Door Courtesy SW (Front RH) | J 28 Junction Connector |
| J 2 Door Courtesy SW (Front LH) | J 29 Junction Connector |
| J 5 Fuel Suction Pump and Gage Assembly | J 30 Diode (Room Lamp) |
| J 10 Front Seat Inner Belt (Driver's Side) | J 32 Door Courtesy SW (Rear RH) |
| J 11 Front Seat Inner Belt Assembly (Front RH) | J 33 Door Courtesy SW (Rear LH) |
| J 12 Room Lamp (Luggage) | J 34 Rear Combination Lamp (RH) |
| J 13 Door Control Receiver | J 35 Rear Combination Lamp (LH) |
| J 14 Airbag Sensor (Rear RH) | J 36 License Plate Lamp (RH) |
| J 15 Airbag Sensor (Rear LH) | J 37 License Plate Lamp (LH) |
| J 16 Side Airbag Sensor (RH) | J 38 Speaker (Rear RH) |
| J 17 Side Airbag Sensor (LH) | J 39 Speaker (Rear LH) |
| J 20 Pretensioner (RH) | J 40 High Mounted Stop Light |
| J 21 Pretensioner (LH) | J 41 High Mounted Stop Light |
| J 22 Curtain Shield Airbag Squib (RH) | J 42 Door Lock Assembly (Luggage) |
| J 23 Curtain Shield Airbag Squib (LH) | J 43 Door Lock Assembly (Luggage) |
| J 24 Occupant Classification ECU | J 44 Rear Window Defogger |
| J 25 Canister Pump Module | J 45 Noise Filter |

G ELECTRICAL WIRING ROUTING

□ : Location of Connector Joining Wire Harness and Wire Harness

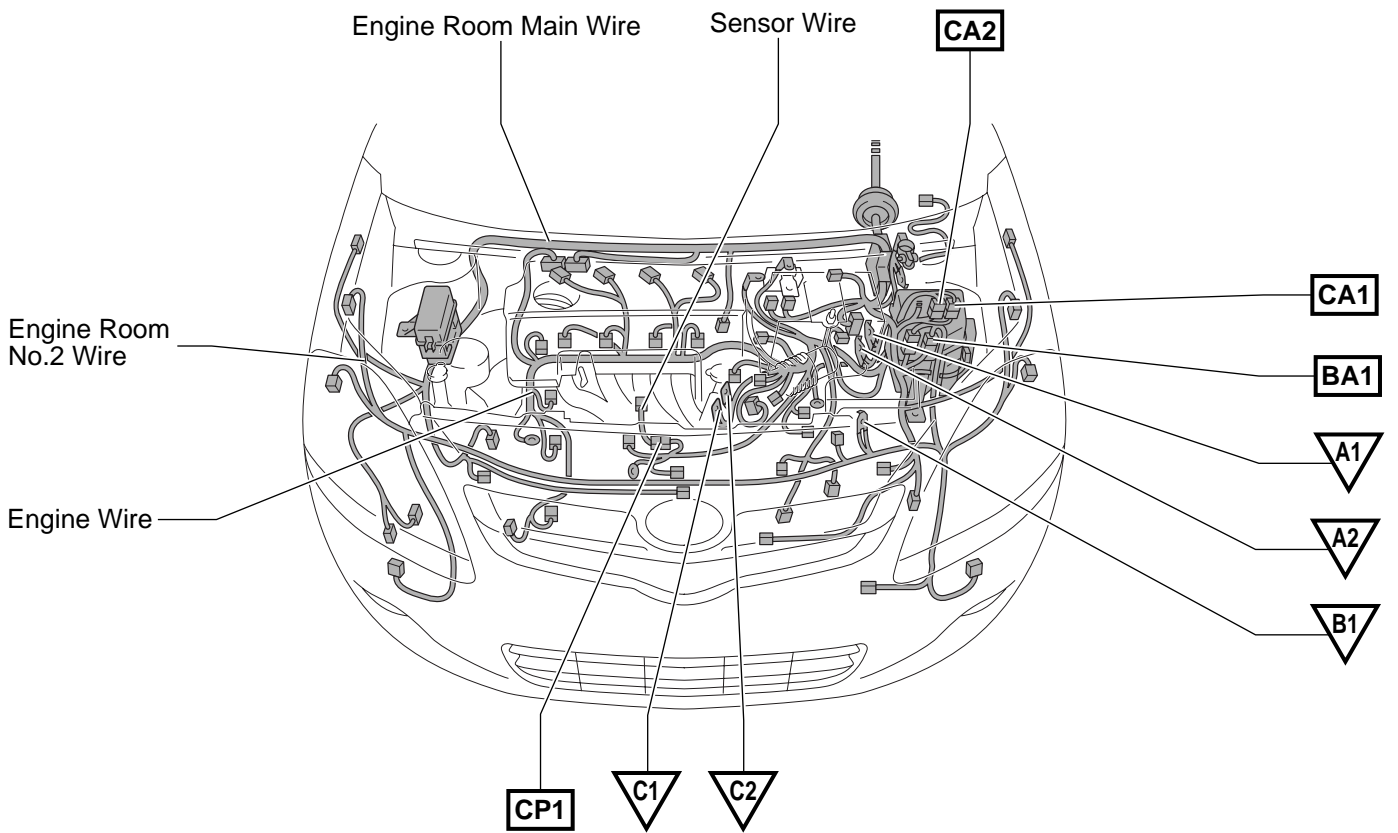
▽ : Location of Ground Points

[H/B]



□ : Location of Connector Joining Wire Harness and Wire Harness
▽ : Location of Ground Points

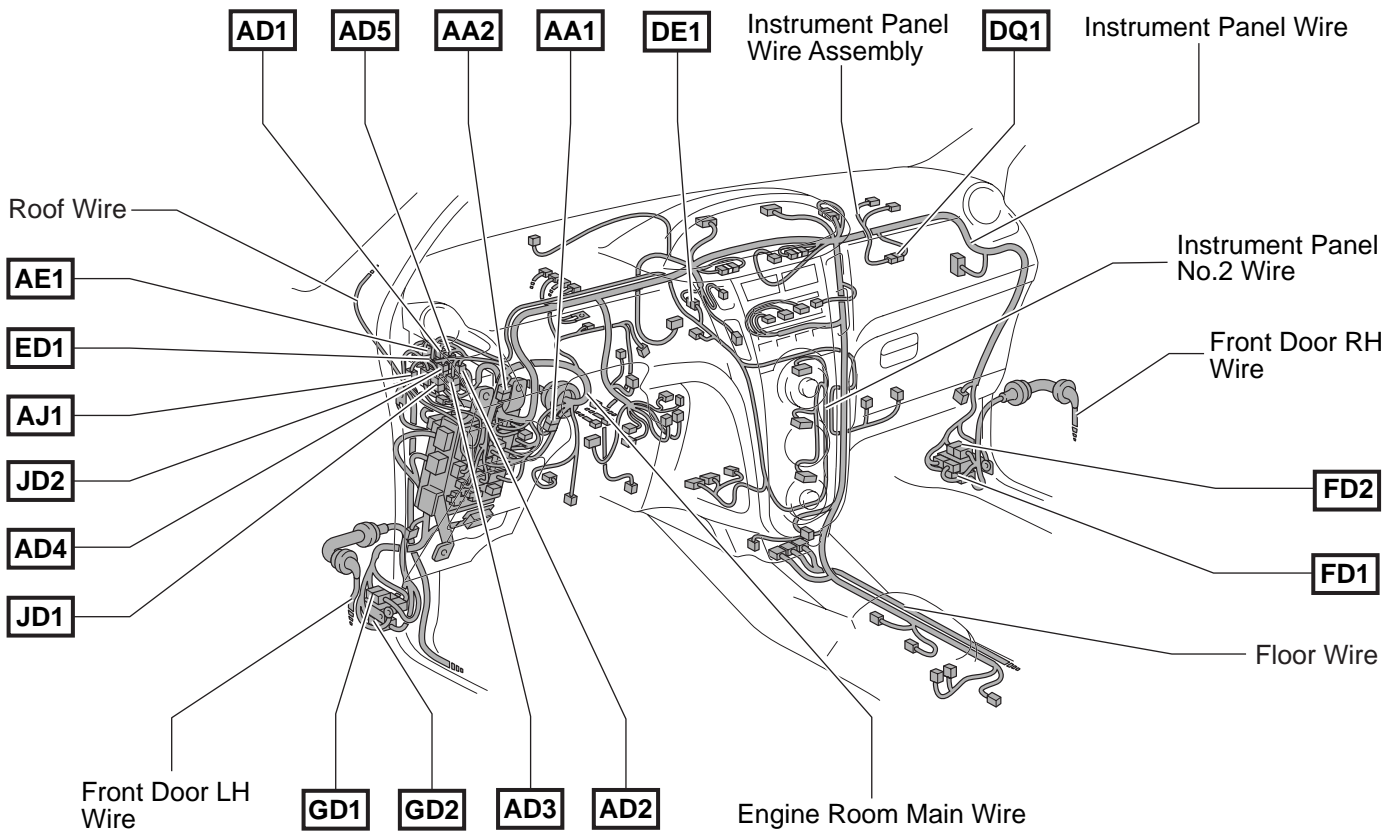
[S/D]



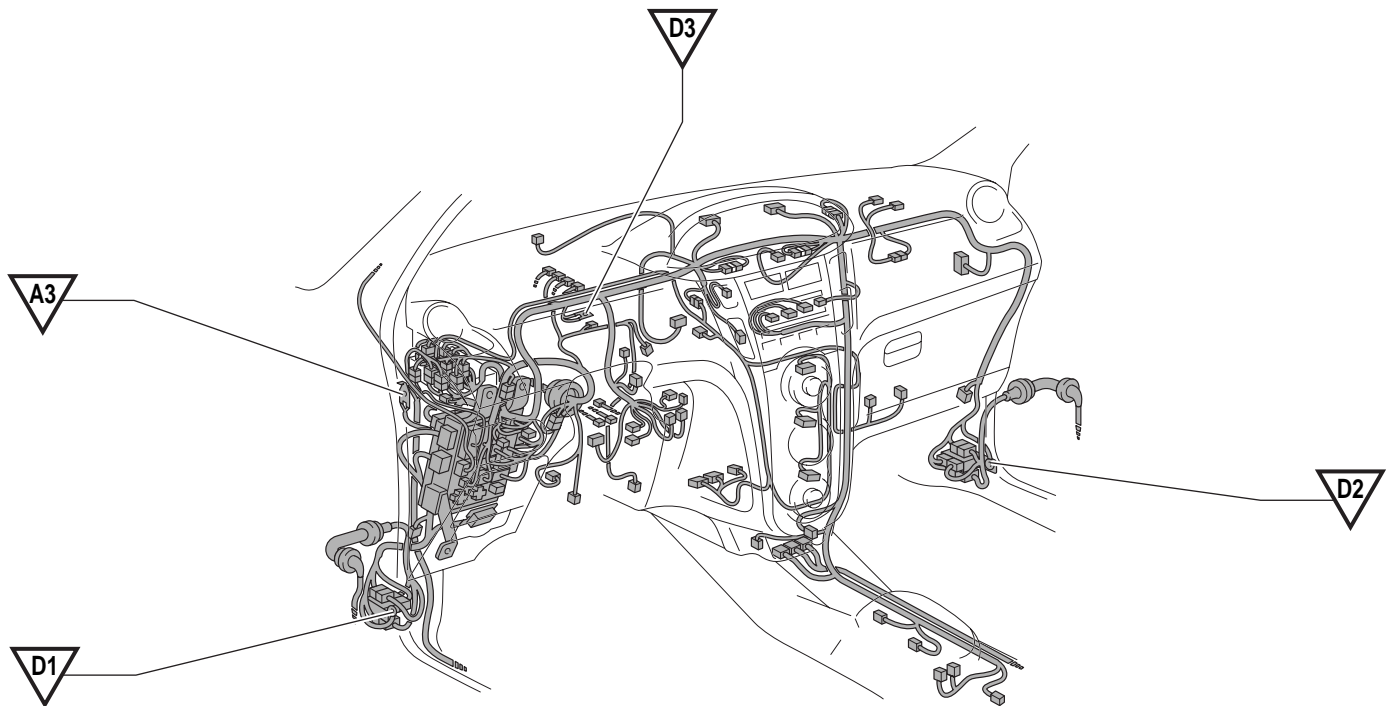
G ELECTRICAL WIRING ROUTING

□ : Location of Connector Joining Wire Harness and Wire Harness

[H/B]

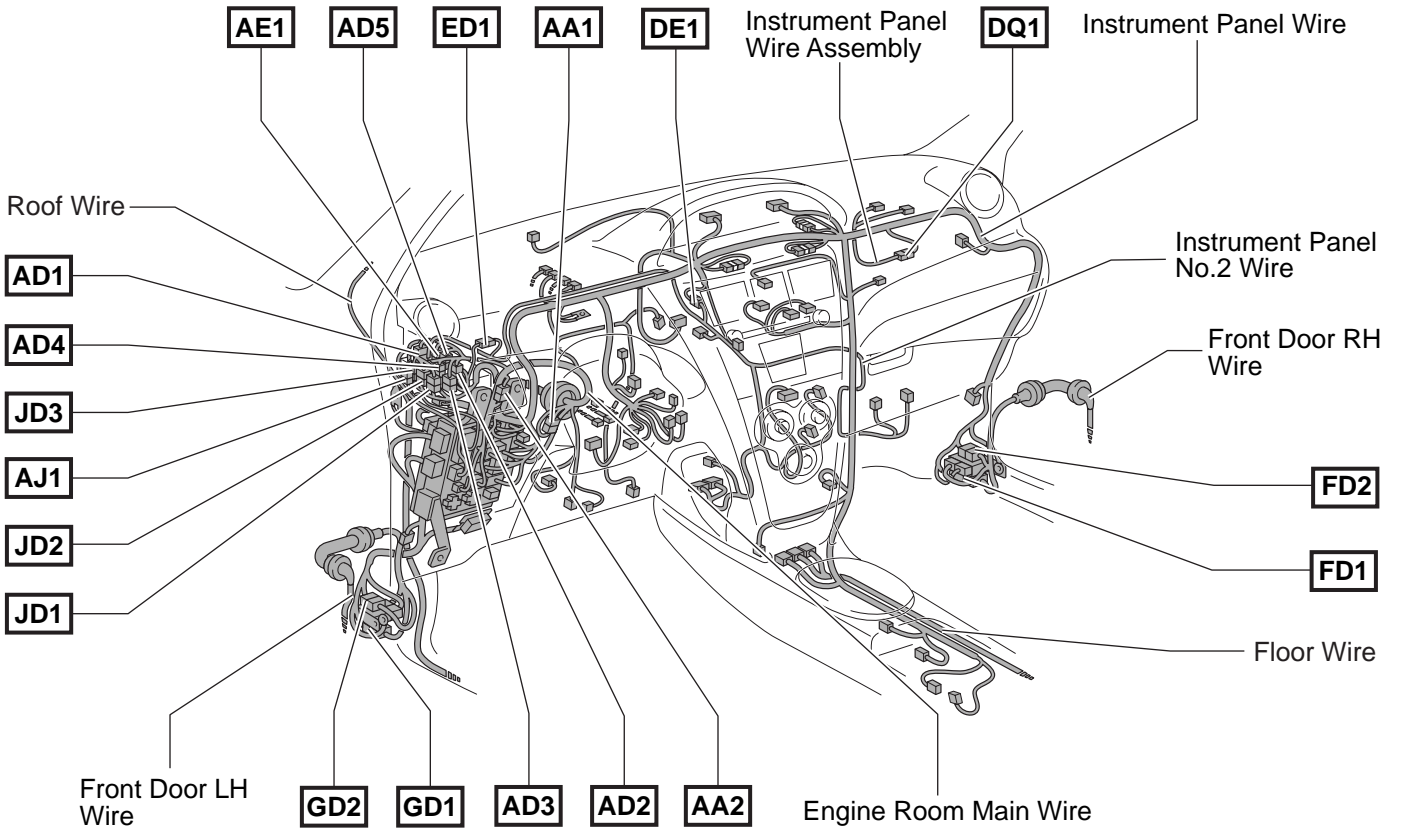


▽ : Location of Ground Points

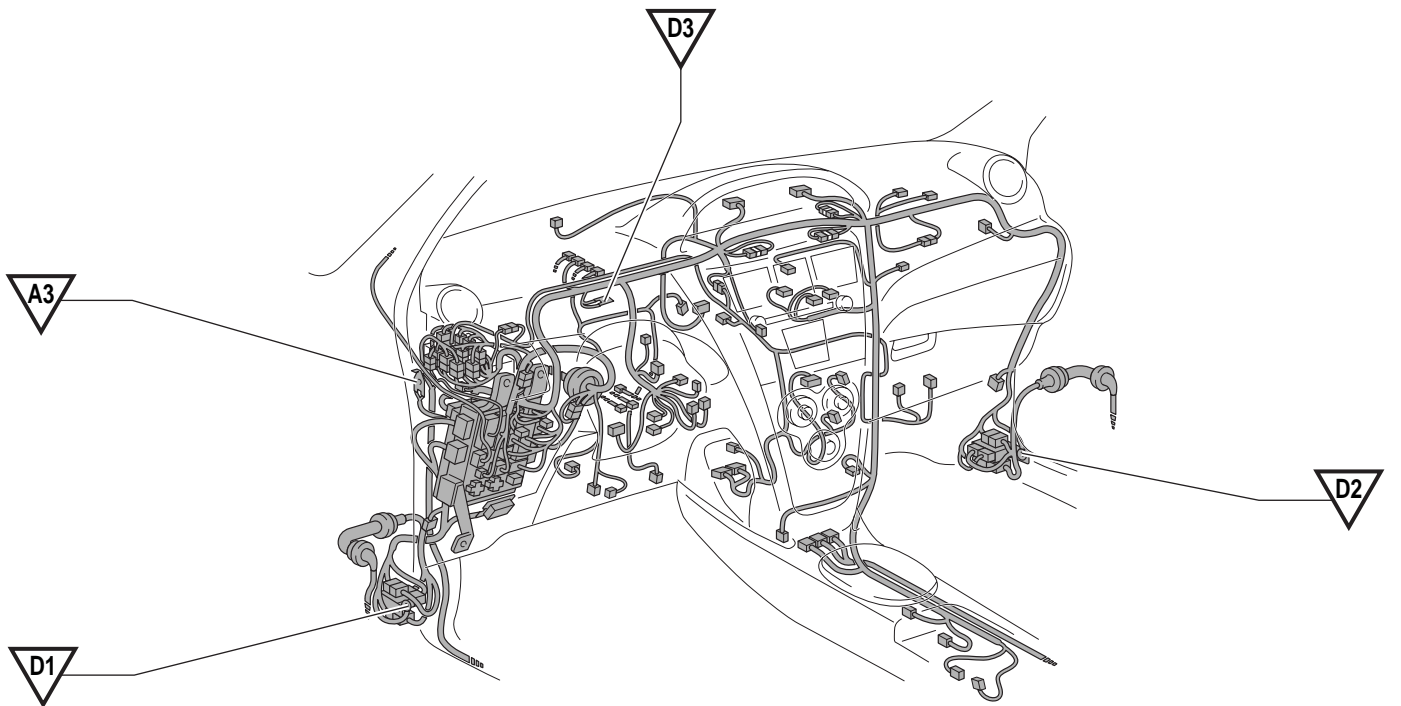


□ : Location of Connector Joining Wire Harness and Wire Harness

[S/D]



▽ : Location of Ground Points

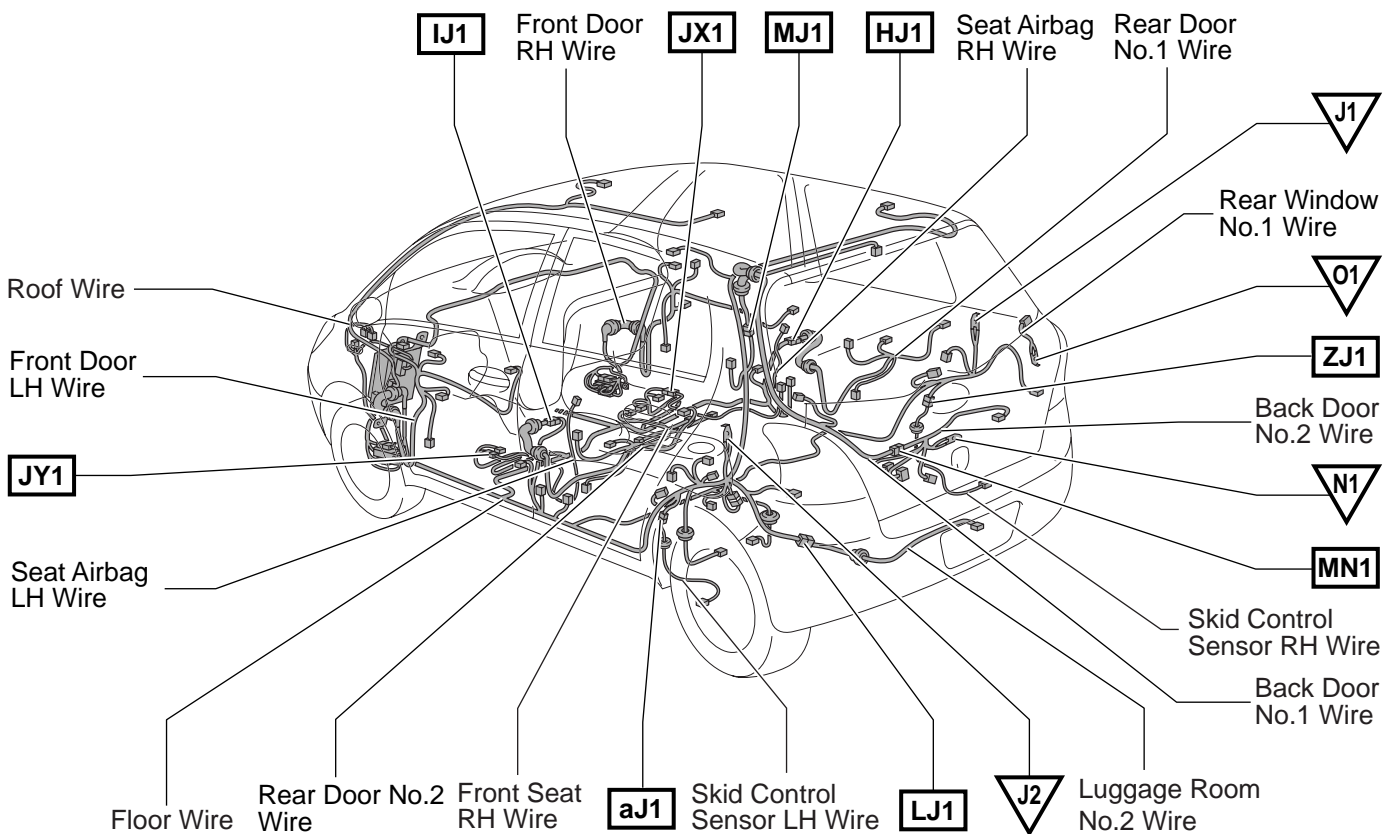


G ELECTRICAL WIRING ROUTING

□ : Location of Connector Joining Wire Harness and Wire Harness

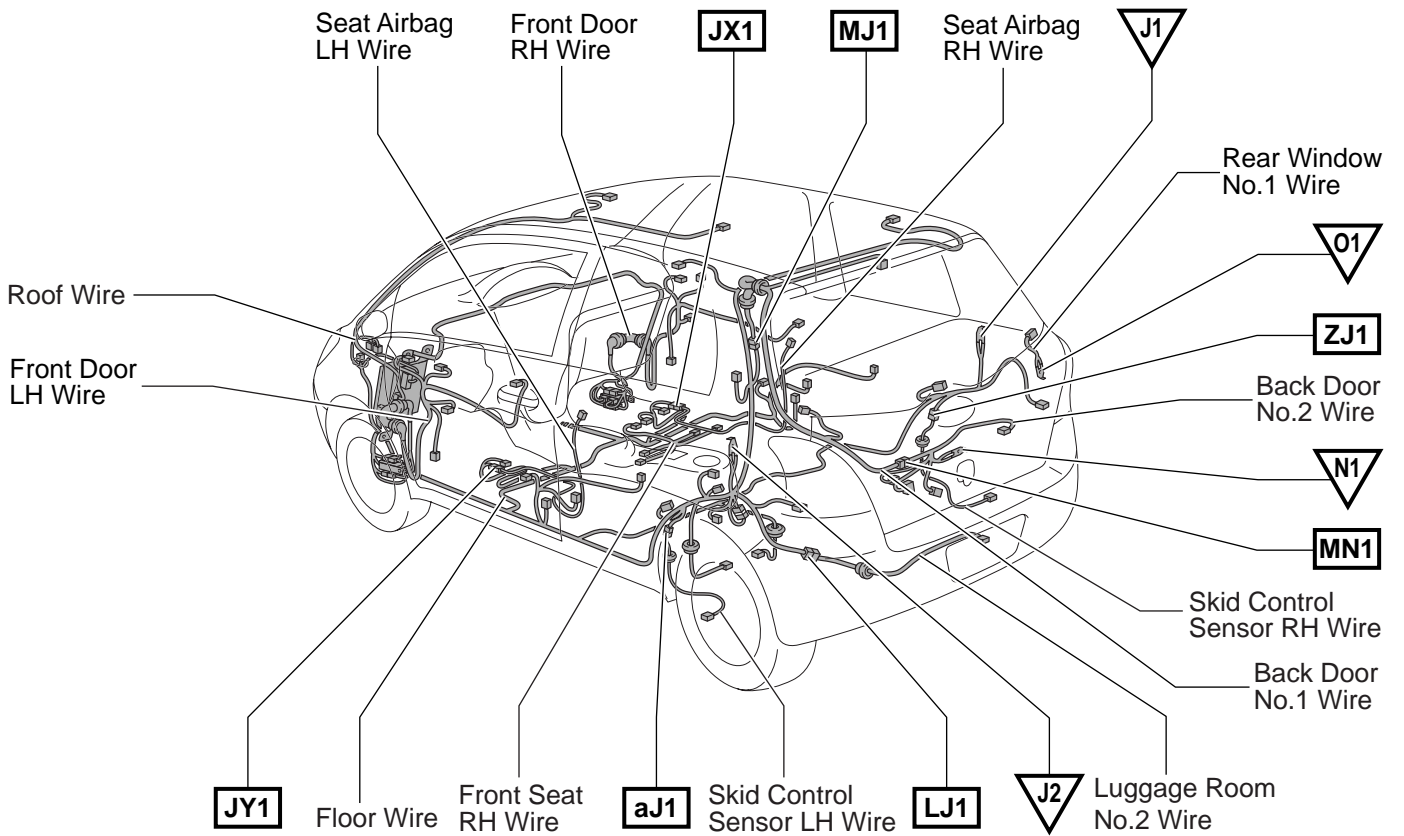
▽ : Location of Ground Points

[5-Door]



□ : Location of Connector Joining Wire Harness and Wire Harness
 ▽ : Location of Ground Points

[3-Door]



G ELECTRICAL WIRING ROUTING

□ : Location of Connector Joining Wire Harness and Wire Harness

▽ : Location of Ground Points

[4-Door]

