

A Planning Guide for Accessible Restrooms

*An Introduction to Basic ADA Requirements
and Bobrick's ADA-Compliant Products*

30 x 48
760 x 1220
Clear floor space
at lavatory

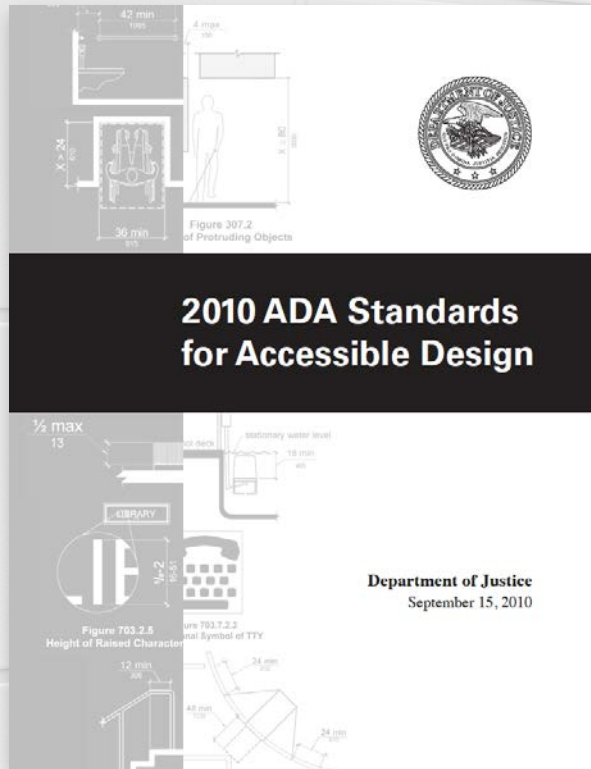
Vertical grab



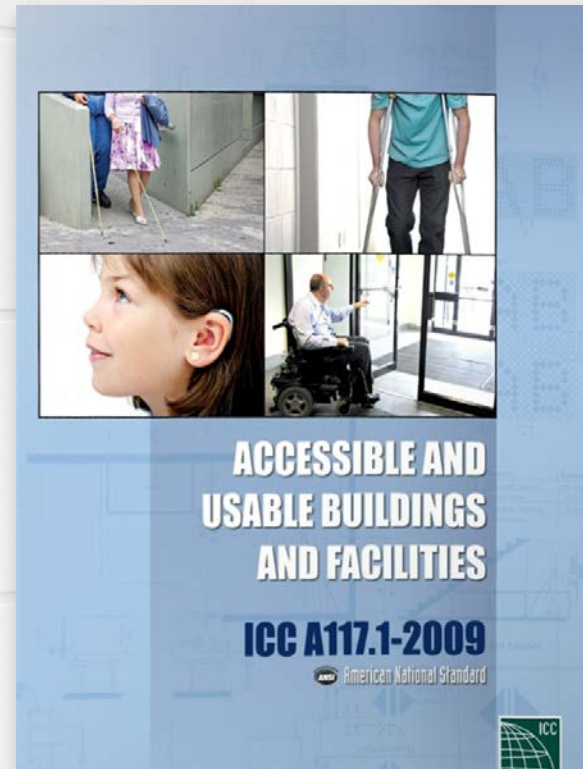
BUILDING VALUE SINCE 1906

A free copy of this guide is available at bobrick.com

2010 ADA Standards



2009 ICC/ANSI Standards



- When working on projects with ADA, ICC A117.1 and state accessibility standards, the most stringent of the standards should be followed

Essential Bobrick Amenities for Satisfying Occupant Needs & Code Requirements



Bobrick's SureFlo® Automatic Soap Dispensers can be activated from a wheelchair



Bobrick's ADA-compliant vendor is the only model to unquestionably meet ADA Guidelines



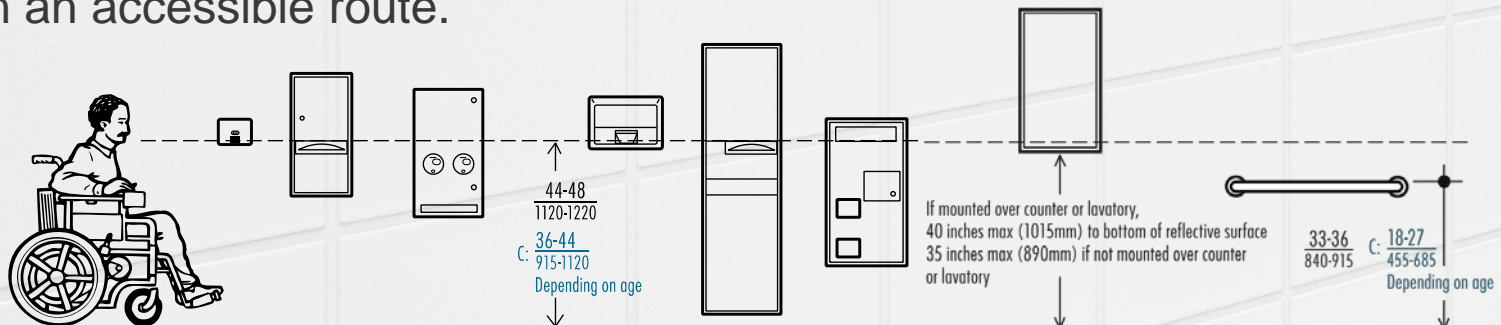
Bobrick's recessed accessories conform to protruding objects guidelines



Bobrick's grab bars meet ADA-compliant layouts

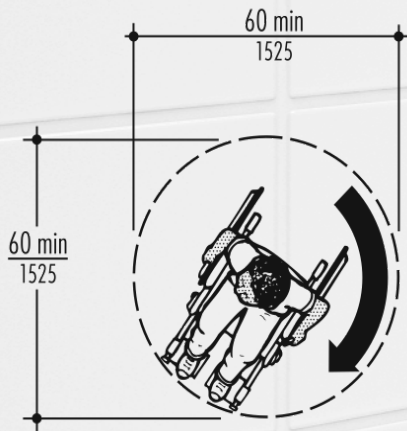
Mounting Heights

- “Operable parts” of accessories other than toilet tissue dispensers no more than 48" above the floor.
- Operable portions of toilet tissue dispensers to no lower than 15".
- Where accessories are mounted above an obstruction, they must be located between 44" and 48".
- Account for side and forward approach.
- Position one set of each type of dispenser outside the toilet compartment, on an accessible route.

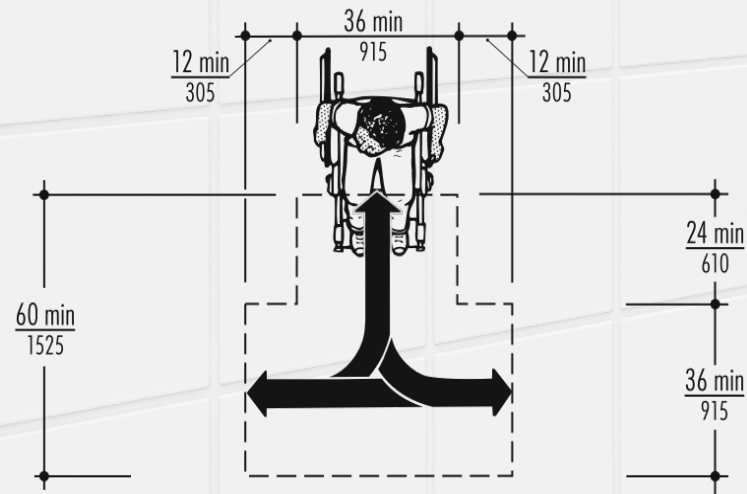


Turning Spaces

- Circular turning space
 - Allows 180-degree or 360-degree turn
- T-shaped turning space
 - Allows 3-point turn
 - Can conserve space
- Portion of 60" space can be under fixtures, lavatories or accessories as long as knee and toe clearance is provided.



60" Diameter Turning Space



T-Shaped Turning Space

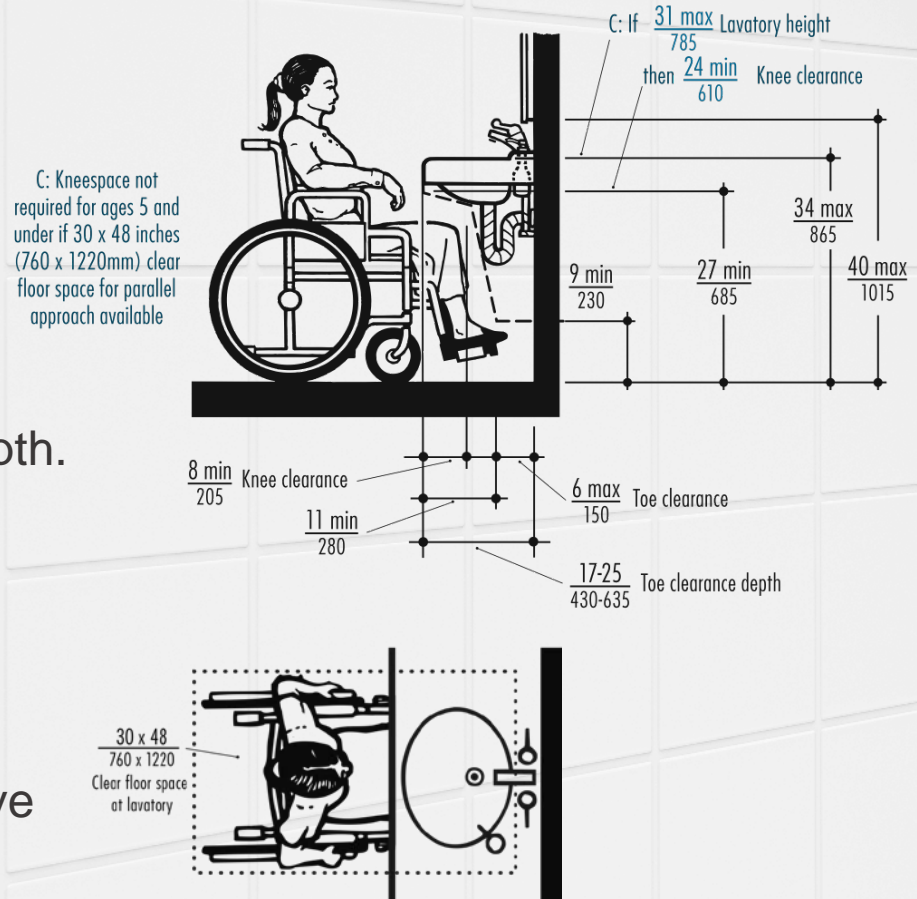
Special Considerations for Lavatories

- Place lavatory as close as possible to front edge of countertop.
- 34" max above finish floor
- Knee clearance of 27" min. from bottom of apron to finish floor.
- Knee clearance must extend 8" min. under front edge of lavatory.



Special Considerations for Lavatories

- Clear floor space in front and under lavatory:
 - 30" wide by 48" deep min.
 - Toe clearance 17" min. to 25" max.
 - Toe clearance at least 9" above finish floor for full depth.
- Water supply, drain pipes and exposed surfaces:
 - Insulated to protect against contact
 - Install removable protective panel under lavatory.



Controls & Operating Mechanisms

Operable parts:

- Push buttons
- Valves
- Knobs
- Levers
- Controls must be operable with one hand, without tight grasping, pinching of the fingers, or twisting of wrist and require less than 5 lbs. of force.
- Controls centered over sufficient clear floor space for both left- and right-hand approaches.



Bobrick Accessories to Meet ADA Control & Operability Requirements



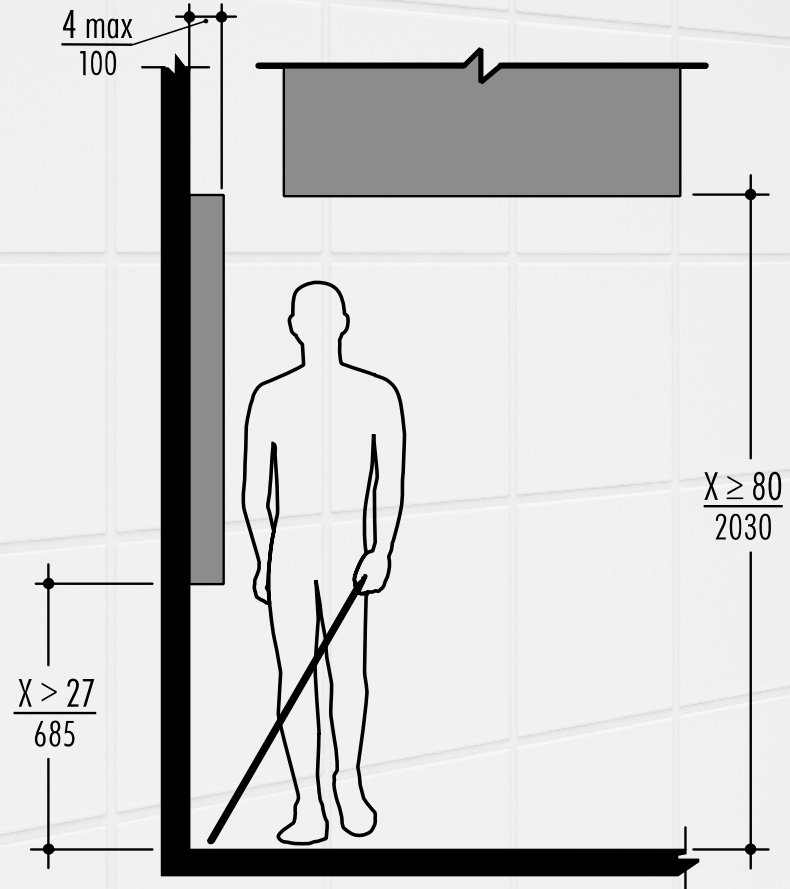
Soap Dispensers

- Soap dispenser mounting height is 44" max. above finish floor.
- Space lavatory-mounted soap dispensers and lever-handle faucets apart to avoid interference with their operations.



Accessory Leading Edges

- Limit protrusion to 4" maximum between 27" to 80" above floor.
 - Ensures detection by a cane.
- Locate units protruding more than 4" in corners, alcoves or between structural elements.
- Use fully recessed accessories to eliminate protrusion from wall compliance issues and ensure accessibility.



Bobrick Accessories to Meet ADA Leading Edges Requirements



B-3725



B-7125



B-3706

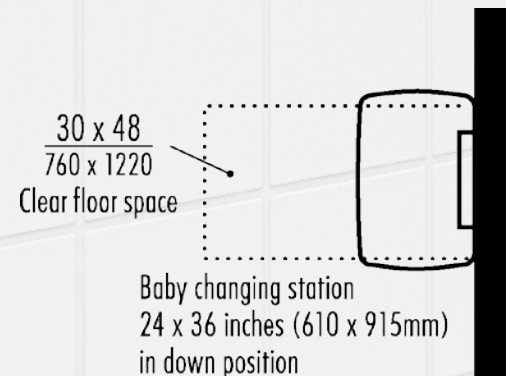
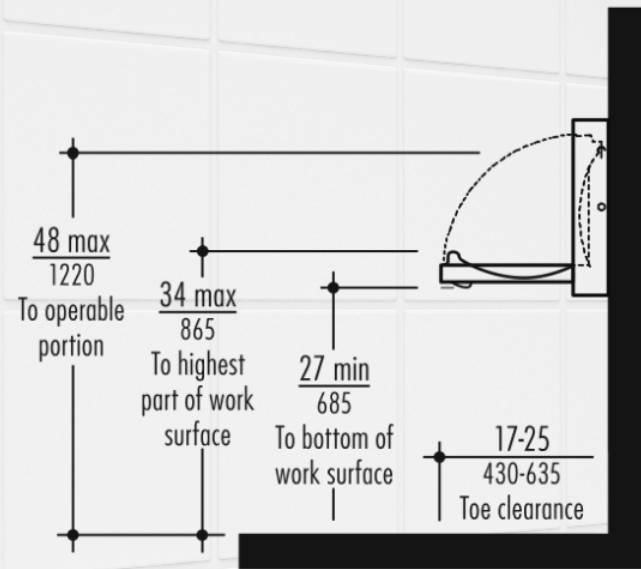
Paper Towel, Waste Receptacle & Hand Dryer

- Locate in an area that is accessible to people using wheelchairs, preferably adjacent to an accessible lavatory.
- Install towel dispenser/waste receptacle unit with the paper towel dispenser opening, the operable part, 48" above floor.
- Install hand dryers with start button, or sensor, the operable part, 44" maximum above floor.



Baby Changing Stations

- Increasingly found in men's, women's and family restrooms.
- Not mandatory but widely regarded as important or essential feature in many facilities.
- Locate to provide for needs of users but not prevent other patrons (including those in wheelchairs) access to fixtures and dispensers in restroom.
- Position baby changing stations in corners or add screens on open sides that extend below 27" above floor for the full depth of the open changing bed.

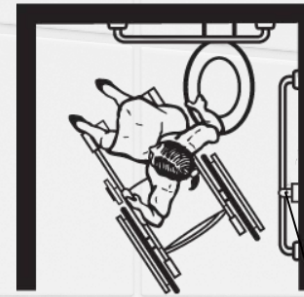


Baby Changing Stations From Koala Kare Products

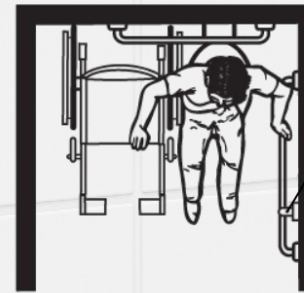


Accessible Toilet Compartments

- Required in all public restrooms.
- Two basic toilet compartment designs:
 - Wheelchair Accessible Toilet Compartment
 - Accommodates people who use wheelchairs
 - Ambulatory Accessible Toilet Compartment
 - Accommodates people who use canes, crutches, or walkers
- Three common transfer positions onto a toilet:
 - Diagonal
 - Side
 - Perpendicular

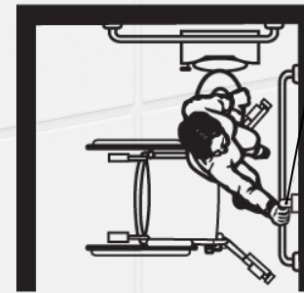


Reverse Diagonal Approach



Vertical grab bars 18 inches (455mm) long (ICC/ANSI)

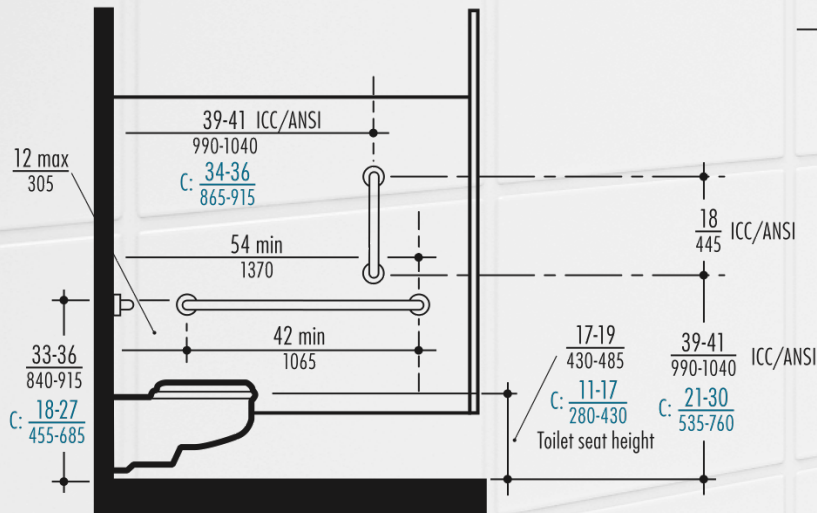
Side Approach



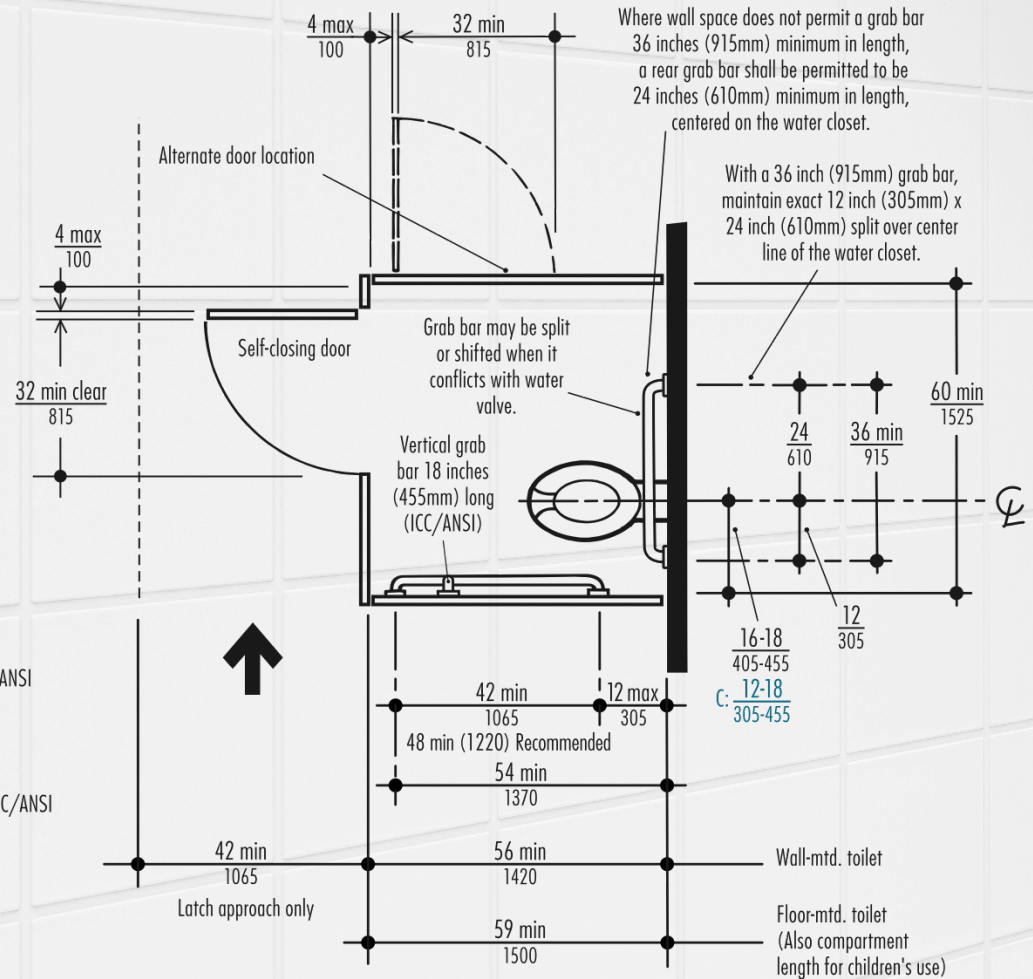
Perpendicular Transfer

Wheelchair Accessible Toilet Compartment

- Check local codes; some jurisdictions have different requirements for wheelchair accessible toilet compartment size and configuration.

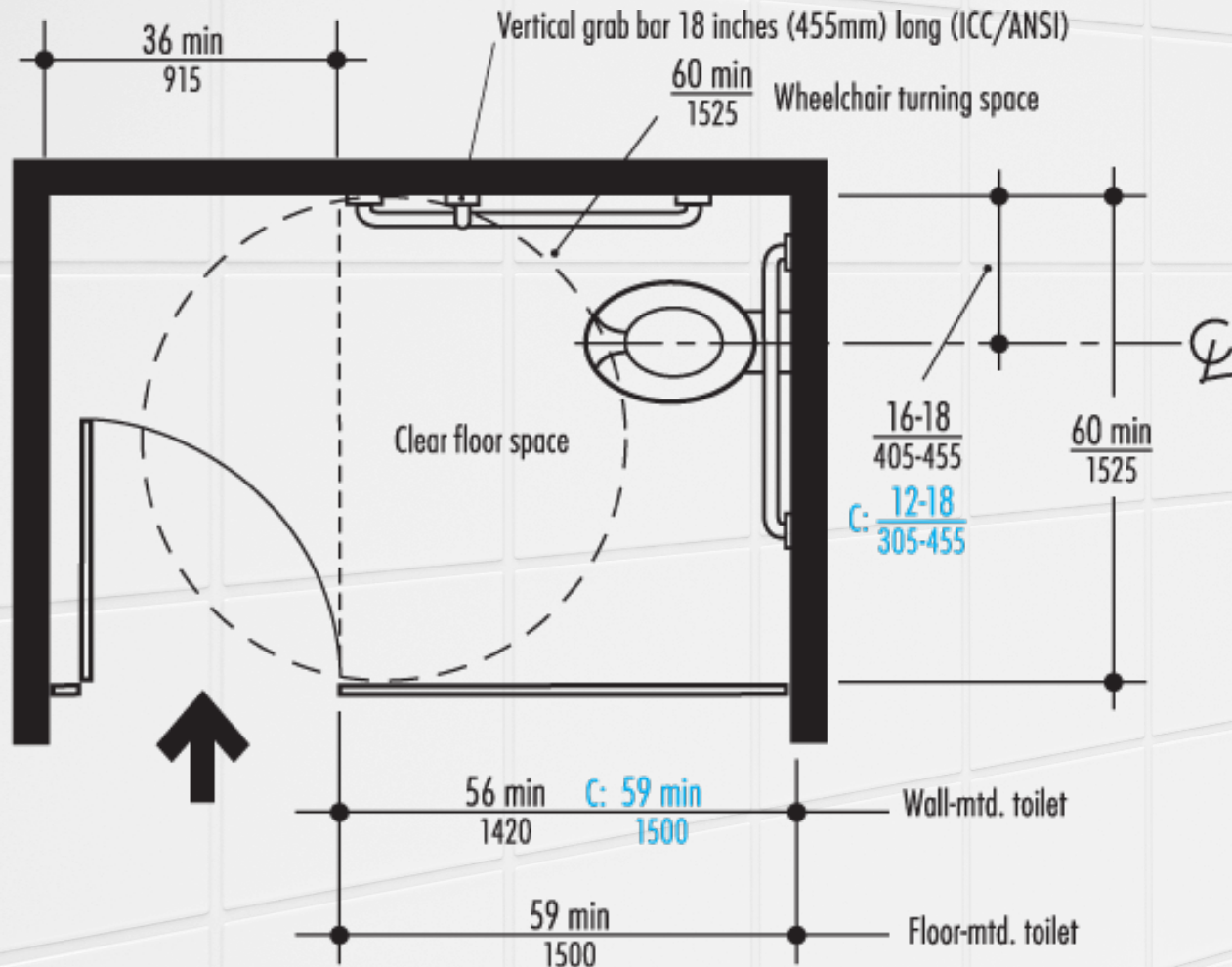


Grab Bar Locations

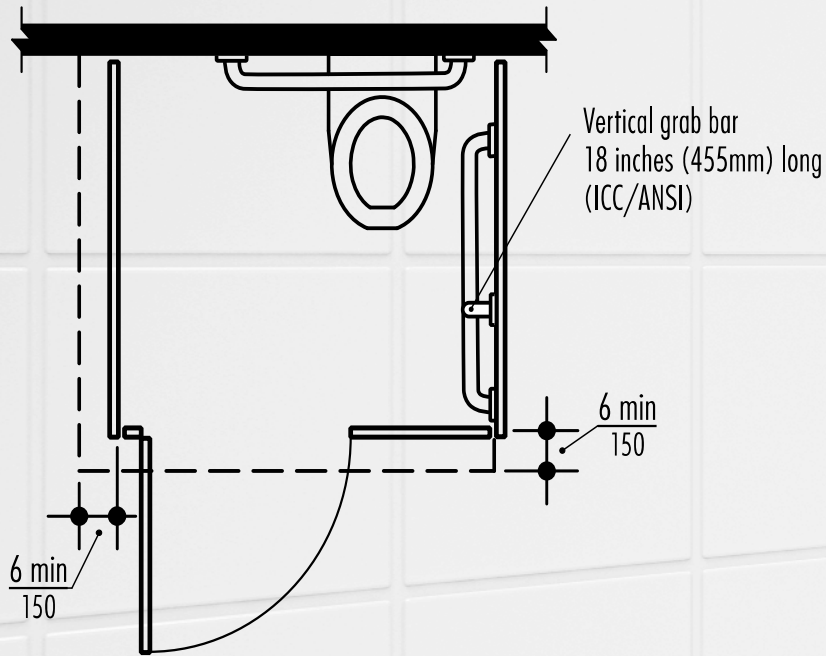


Wheelchair Accessible Toilet Compartment

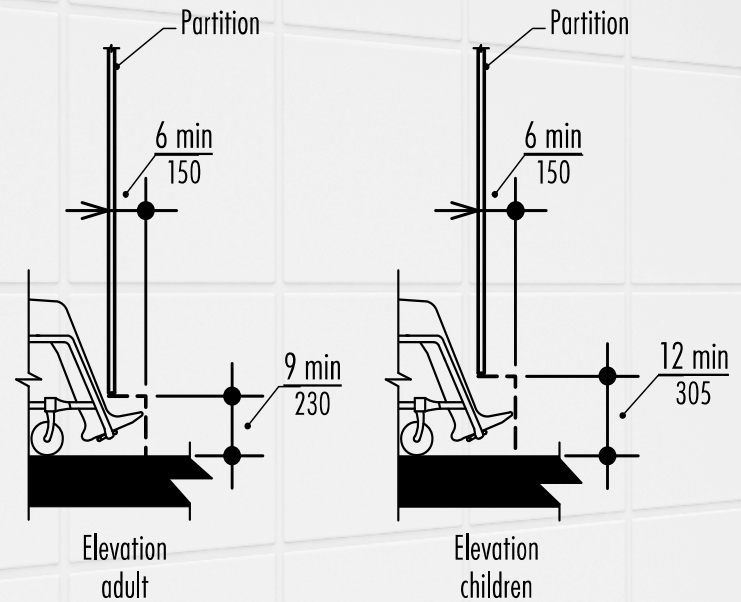
Large Wheelchair Accessible, Side Door Access



Toe Clearance



Horizontal Toe Clearance



Vertical Toe Clearance

- Front toe clearance not required if compartment depth is greater than 62" deep with a wall-hung toilet or 65" deep with a floor-mounted toilet.
- Side toe clearance not required in compartments greater than 66" wide.

Doors

- All accessible toilet compartment doors must include door pull hardware and self-closer.

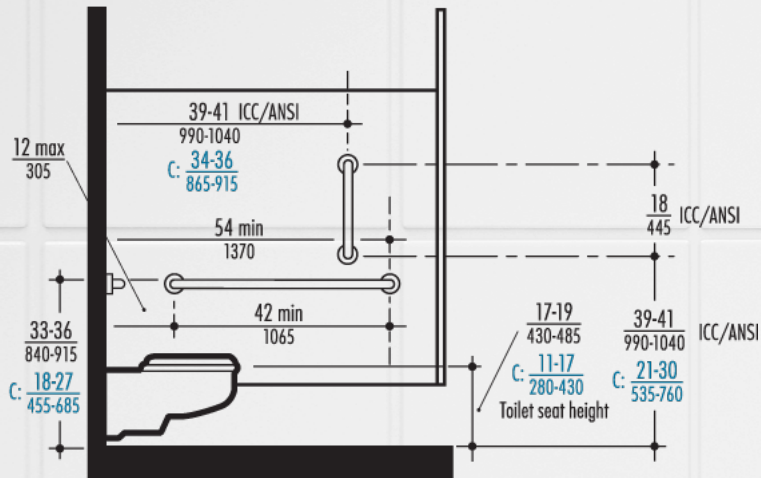


View from Outside an End-of-Room Toilet Compartment

- All out-swinging doors should close completely so as not to encroach into required maneuvering clearances and impede access.



Grab Bars Required in All Compartments



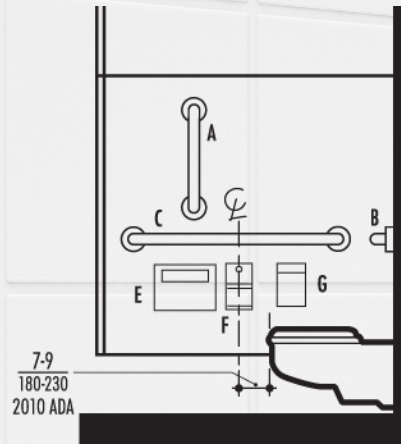
Grab Bar Locations

- Use a 48" long side wall grab bar to eliminate installation compliance problems.

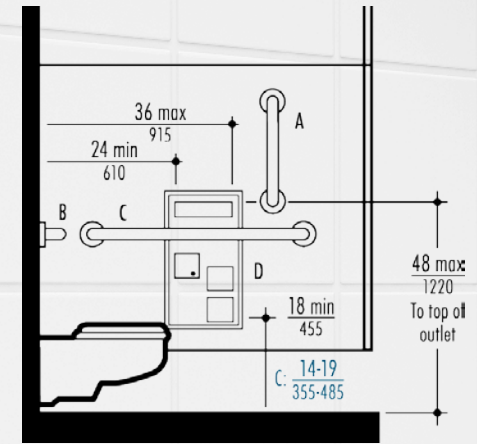


Accessories Complete Specification

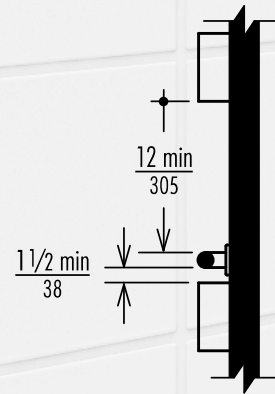
- All accessories must be located on a side wall or partition, nearest toilet in accessible compartments and just in front of leading edge of toilet.
- No accessory should interfere with maneuvering space or access to grab bars.
- ICC A117.1 includes an Exception allowing recessed units behind grab bars with less than 1-½” absolute grab bar wall clearance as an alternative to the 2010 ADA requirement.



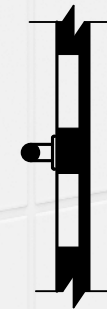
Surface Mounted Dispensers



Recessed Dispensers



Protruding Objects Mounted Near Grab Bars



Recessed Objects Mounted Near Grab Bars

Toilet Tissue Dispensers

- Roll toilet dispensers that allow continuous paper flow are required.
- 2010 ADA Standards – 7" to 9" in front of toilet
- 2009 ICC/ANSI Standards – 24" to 42" from rear wall



Dispensers & Disposals

- Sanitary napkin disposals and toilet seat cover dispensers are recommended
- Recessed combination units organize and unify installations:
 - Toilet tissue dispensers
 - Toilet seat-cover dispensers
 - Sanitary napkin disposals



**Thank you for your interest in this Planning Guide for
Accessible Restrooms.**

**Please contact Bobrick Washroom Equipment, Inc. If you
have questions related to the information presented
within this program.**

**A free copy of this guide is available for download at
bobrick.com.**



BUILDING VALUE SINCE 1906