

2011 BERETTA GUN ACCESSORIES CATALOG





GUN ACCESSORIES

Beretta's Gun Accessories offers a wide selection of parts for your shotgun, pistol or Sako or Tikka rifle. The Pistol Pro Shop offers a variety of grips and magazines for many Beretta pistols. Now you can order accessories to customize your U22 Neos.

Choose from a wide range of chokes for your Beretta over-and-under or semiautomatic shotgun.

A range of Gel-Tek pads are available for all shooting environments. You can also find additional Optilock rings and bases for your Sako or Tikka Rifle as well as extra magazines. Beretta continues to develop Pro Shop accessories to complement our product line of firearms.

CONTENTS

PISTOLS	01–14
SHOTGUNS	15–36
RIFLES / CARBINES	37–49
GUN CARE PRODUCTS	50–52
SPARE KIT PARTS	53–54

PISTOLS

PAGES 01 - 14



BERETTA

500 YEARS. ONE PASSION.

GUN ACCESSORIES: 92 SERIES

Model	Product Code	Description
Beretta <u>Solid</u> Steel Recoil Spring Guide & Recoil Spring "Gold Finish"	E00189	Replaces factory Recoil Rod and Spring. Fits all Beretta 90 series pistols. Steel Recoil Rod and Titanium Nitride coated recoil spring. Nitride coating reduces friction and fights corrosion. It does not fit the 92A1, 96A1, and the 90-Two.
Beretta Steel Recoil Spring Guide & Recoil Spring "Gold Finish"	EU00031	

**E00189****EU00031**

Beretta Plastic Magazine Bottom with Steel Insert (C57058)

Heavy duty plastic magazine bottom with steel insert for the Model 92/96 10 or 15 round magazine



Beretta 92/96 Adjustable Rear Sight (Billenium) (E00205)

This rear sight was developed for the Billenium, now it is available as an improvement part for any 92 series pistol. Applicability: Model 92/96 Series pistols Interchangeable leaves included: 3.4, 3.6 or 3.8 mm.



92 / 96 Target Adjustable Rear Sight (E00169)

Rear adjustable sight. Installs easily into dovetail. Includes all installation and adjustment tools. Fits all 92/96 series pistols. White dot configuration.

**C57058**

Beretta 92 / 96 / 98 Elite II Hammer (UD5A0584)

The perfect part to give your Model 92/96/98 an aggressive look! This skeletonized hammer is Beretta factory original and not only looks cool but can improve cycle time because of the lighter weight.

GUN ACCESSORIES: 92 SERIES

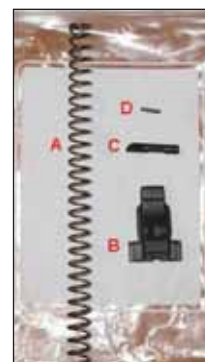
Oversize Steel Magazine Release Button (C86992)
Oversize Magazine Release Button 92/96 Series SS (UD8A0203)

Replaces smaller factory Magazine Release. Does not include bushings and spring. Requires re-use of your bushings and spring



Beretta 92/96 Locking Block Kit (LE9201)

The perfect kit to keep your Model 92/96 in perfect working condition after years of faithful use! This kit includes the following components: Recoil Spring (A), Beretta 3rd Generation Locking Block (B), 3rd Generation Locking Block Plunger (C) and a Locking Block Pin (D). Items B and C must be used together. Fits the following model firearms: Beretta 92-92S-92F-92FS-96-Billennium-Vertec-Centurion The 3rd Generation Locking Block Components are the latest improvements in Beretta's Model 92/96 locking system.



Model 92 Magazine Spring and Follower (E00190 / E00191)

Replaces factory Magazine Spring and Follower. Fits all Beretta 92 series pistols. Titanium Nitride magazine spring and follower. Nitride finish reduces friction and fights corrosion.



Beretta Allen/Hex Pistol Grip Screws Kit (EU00015)

4 Beretta grip screws and 4 washers. Finish is mat black. Fits on 92 series and 80 series.



GUN ACCESSORIES: PX4 STORM SERIES



PX4 Storm Rear Sight Kit (4 PCS) (E00339)

Beretta PX4 Storm Rear Sight Kit (4 PCS)

High: 0.267" (6.8 mm) – 0.279" (7.1 mm) – 0.303 (7.7 mm) – 0.314" (8 mm)



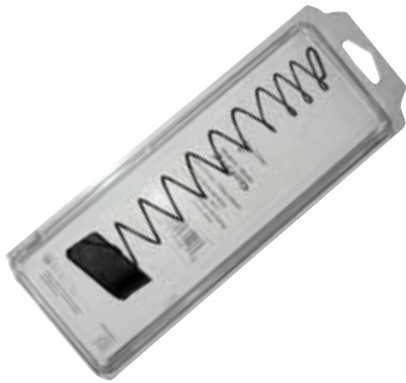
PX4 Series, Adjustable Rear Sight & Front Sight (E00457)

Adjustable Rear Sight & Front Sight for PX4 series.

Three white dot system.

Adjustment key included.

Fits on: PX4 Full Size, Compact, Sub-Compact, Special Duty.



PX4 Series Magazine Pad Extended & Spring 9 mm (E00345)

Magazine Pad Extension and spring, increasing the capacity of the 17 rounds magazine (9mm) to 20 rounds.

PX4 Series Magazine Pad Extended & Spring .40 S&W (E00344)

Magazine Pad Extension plus spring, increase the capacity of the 14 rounds magazine (.40 S&W) to 17 rounds.



PX4 Storm Floor-plate with Steel Insert (C75489)

PX4 Storm Floor-plate with steel insert

GUN ACCESSORIES: PX4 STORM SERIES

PX4 Magazine Release Kit (3pcs) High, Medium, & Low (E00343)

PX4 Magazine Release kit (3pcs) High, Medium, and Low

**Px4 Storm Back Straps Thin (C5B791)**

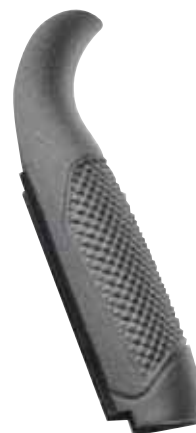
Replacement back straps for your Px4 Storm. Available in thin/ small and large.

**Px4 Storm Back Straps Medium (STD) (C5B700)**

Px4 Storm Back Straps Medium (comes standard on the pistol).

Px4 Storm Back Straps Large (C5B790)

Replacement back straps for your Px4 Storm. Available in small and large.

**PX4 Hammer Cap Spring with Lanyard Loop (C5B771)****PX4 Hammer Cap Spring FLUSH (without Lanyard Loop) (C5B733)**

GUN ACCESSORIES: U22 NEOS



Beretta U22 Neos Carbine Kit .22LR (JU22CKI)

New for 2010, the U22 Neos Carbine Kit adds another level of performance and modularity to the U22 Neos product line. The Kit allows the user to transform the pistol into a handy “plinker” carbine or lightweight “camp gun”.

The Kit may be disassembled for easy and compact transportation. The kit consists of a barrel/fore-end/top rail assembly and a stock unit that easily replaces the pistol's barrel and grip using the supplied multi-purpose tool.

A **TRUGLO** orange fiber optic front sight is standard, as well as a fully adjustable aperture rear sight, to provide fast target acquisition. Both sights are removable and replaceable. The barrel features a built-in machined aluminum Weaver-style rail that allows mounting of optics using standard mounts. The stock features a rubber butt plate, as well as attachment slots for future accessories. Every U22 Neos pistol and carbine may be accessorized with a complete line of products.

- Kit to convert your U22 Neos pistol into a light and compact carbine
- Kit includes barrel and stock assemblies and multi-purpose tool
- Aluminum Weaver-style top rail allows mounting of optics
- Rubber butt plate
- TRUGLO orange fiber optic front sight, fully adjustable aperture rear sight
- Uses pistol's magazine, slide and receiver assembly
- Now approved for sale in California

NOTE: A rifle with a barrel less than 16 inches in length is classified as a “short barreled rifle” and must be registered as such with the ATF in accordance with the National Firearms Act. Consult your local ATF office for registration information (some states do not allow registration of short barreled rifles; consult your local authorities for more information).



GRIPS: 80 CHEETAH SERIES

Product Code	Description	Model
EO0306	Wood Grips (right handed)	87 Target
EO0307	Wood Grips (left handed)	87 Target
JG84FW	Wood Grips	84F
JG85FW	Wood Grips	85F
JG85W	Wood Grips (old version)	82/85/87
JG87W	Wood Grips	87 Target
JG85FP	Plastic Grips	82F/85F
JG84FP	Plastic Grips	84FS/85FS

**E00306 / E00307****JG84FW / JG85FW / JG85W****JG85FP / JG84FP****JG87W**

GRIPS: POCKET PISTOLS

Product Code	Description	Model
JG2IP	Replacement Grips for model 21 Bobcat	21 Bobcat Plastic
JG32P	Replacement Grips for model 3032 Tomcat	3032 Tomcat Plastic
UD6A0354		3032 Tomcat Walnut Wood

**UD6A0354****JG2IP / JG32P**

GRIPS: 92 SERIES

92 SERIES OVER MOLD LASER GRIPS (JG92LG302)

The Beretta Laser Grips have dual side-activation buttons, rubber over mold construction, fully adjustable windage and elevation, a Master On/Off switch and a **Beretta Trident logo!** Technical specifications: Beam intensity - 5mw peak, 633nm, Class IIIa laser - the maximum output allowable by federal law and technology.

Dot Size - Approximately 0.5" diameter at 50 feet. Power Source - Two #2032 lithium batteries (included); over four hours of on-time use with a five year shelf life. **Applicable for Beretta Models 92 and 96 large frame, including Centurion, Elite II and Brigadier.**



Product Code	Description	Finish
E00219	92 Series Wood Grips	Walnut
JG92FSR2	92 Series Rubber Grips	Rubber
JG92FSP	Beretta 92FS / 96 Series Original Grips	Plastic
E5C199	Beretta 92-Two Thin Unit Grip	Plastic
JG92FSW	Beretta 92 Series Wood Grips	Palnut



E00219



JG92FSR2



JG92FSP



E5C199



JG92FSW

GRIPS: U22 NEOS SERIES

Code	Description
JGU22P01P	Beretta U22 Neos Grip Black
JGU22P03P	Beretta U22 Neos Grip Red
JGU22P04P	Beretta U22 Neos Grip Grey
JGU22P02P	Beretta U22 Neos Grip Light Blue
JGU22R01P	Beretta U22 Neos DLX Grips Black/Gray
JGU22R03P	Beretta U22 Neos DLX Grips Black/Beretta Blue

**JGU22P01P****JGU22P03P****JGU22P04P****JGU22P02P****JGU22R01P****JGU22R03P**

MAGAZINES: 80 CHEETAH

SPECIFICATIONS

Product Code	Description	Caliber	Capacity	Finish	Packaging
C85888	Beretta 81 FS-81BB Magazine	.32	13	Black	Yes
JM80396HC	Beretta Factory 84-84F-84FS Magazine	.380AUTO	13	Black	Yes
JM84F	Beretta Factory 84-84F-84FS Magazine	.380AUTO	10	Black	Yes
JM85F	Beretta Factory 85-85F-85FS- 86 Magazine	.380AUTO	8	Black	Yes
JM87T	Beretta Factory, 87 Target Magazine	.22LR	10	Black	Yes
JM87	Beretta Factory 87 Magazine	.22LR	8	Black	Yes



C85888 / JM80396HC



JM84F



JM85F



JM87T / JM87

Picture does not show the rubber pad.

MAGAZINES: 92 SERIES

SPECIFICATIONS

Product Code	Description	Caliber	Capacity	Finish	Packaging
JM909P17	Beretta Factory 90-TWO Magazine	9mm	17	Blue	Yes
JM904P12	Beretta Factory 90-TWO Magazine	.40 S&W	12	Blue	Yes
JM92HCB	Beretta Factory 92FS Magazine	9mm	15	Black	Yes
C8602I	Beretta Factory 92FS Magazine	9mm	15	Black	No
JM80399HC	Beretta Factory 96 Magazine	.40 S&W	11	Black	Yes
C86006	Beretta Factory 96 Magazine	.40 S&W	11	Black	No
JM9A115	M9A1 – 92FS Magazine Sand Resistant	9mm	15	Special PVD-Dark Grey	Yes
JM96	Beretta Factory 96 Magazine	.40 S&W	10	Blue	Yes
JM92F	Beretta Factory 92FS Magazine	9mm	10	Black	Yes
JM86751HC	Beretta Factory Billenium / 92FS Magazine	9mm	15	Nickel	Yes
I385979/I	Beretta Factory 92FS Magazine	9mm	20	Black	Yes
JM9022PK	Beretta Factory 92FS Practice Kit Magazine	.22LR	10	Black	Yes
C8600I	Beretta Factory 96 Magazine	.40S&W	10	Black	No



JM909P17 / JM904P12



C8602I



JM80399HC / C86006 / JM96



JM9A115



C8600I



JM9022PK



JM92F



I385979/I

MAGAZINES ACCESSORIES



Beretta Magazine Speed Loader (JMSLDS)

This pistol speed loader is compact, lightweight and easy to use. The Beretta Magazine Speed Loader is a speed loader that makes it easy to load magazines to the maximum capacity. No more leaving the last round out because it is too hard to get in. And you will load them faster and easier, to maximize your shooting enjoyment. It's designed to load most 9mm & .40 S&W caliber, double stack magazines, of any length.

MAGAZINES: POCKET PISTOLS

SPECIFICATIONS

Product Code	Description	Caliber	Capacity	Finish	Packaging
JM32P	Beretta Factory 3032 Tomcat Magazine	.32ACP	7	Blued	Yes
JM21P	Beretta Factory 21 Bobcat Magazine	.22lr	7	Blued	Yes
JM25	Beretta Factory 21 Bobcat Magazine 8 Rds	.25ACP	8	Blued	Yes
JM955	Beretta Factory 950 Jetfire Magazine .25ACP 8 Rds	.25ACP	8	Blued	Yes



JM32P



JM21P



JM25



JM955

MAGAZINES: U22 NEOS



Beretta Factory U22 Neos Magazine .22lr 10 Rds (JMU22)

Stainless steel magazine replacement or spare magazine for the U22 Neos.

MAGAZINES: Px4 STORM SERIES

SPECIFICATIONS

Product Code	Description	Caliber	Capacity	Finish	Packaging
JM4PX920	Beretta Factory Px4 Storm Magazine	9mm	20	Black	Yes
JM4PX917	Beretta Factory Px4 Storm Magazine	9mm	17	Black	Yes
JM4PX915	Beretta Factory Px4 Storm Magazine	9mm	15	Black	Yes
JM4PX910	Px4 Storm Magazine	9mm	10	Black	Yes
JM4PX4010	Px4 Storm Magazine	.40 S&W	10	Black	Yes
JM4PX4017	Beretta Factory Px4 Storm Magazine	.40 S&W	17	Black	Yes
JM4PX4014	Beretta Factory Px4 Storm Magazine	.40 S&W	14	Black	Yes
I383438	Beretta Factory Px4 Storm Magazine (bulk pack)	9mm	17	Black	Yes
C89132	Px4 Storm Magazine (bulk pack)	.40 S&W	14	Black	Yes
JMPX4S9E	Px4 Storm Sub-Compact Magazine SNAP GRIP	9mm	13	Black	Yes
JMPX4S9F	Px4 Storm Sub-Compact Magazine Standard	9mm	13	Black	Yes
UD8A0271	Px4 Storm Sub-Compact Magazine (Bulk Pack)	9mm	13	Black	Yes
JMPX4510	Px4 Storm SD Magazine Heavy Duty	.45ACP	10	Chromed	Yes
JMPX459	Px4 Storm SD .45ACP Magazine 9 Rds Standard	.45ACP	9	Black	Yes



JM4PX920
(20 rounds)



JM4PX917 / JM4PX915
(15-17 rounds)



JM4PX910 / JM4PX4010



JM4PX4017
(17 rounds)



JM4PX4014
(14 rounds)



I383438



C89132



JMPX4S9E



JMPX4S9F / UD8A0271



JMPX4510



JMPX459



BERETTA
500 YEARS. ONE PASSION.

MAGAZINES: PX4 STORM SERIES CONT.

SPECIFICATIONS

Product Code	Description	Caliber	Capacity	Finish	Packaging
JM88400	PX4 Compact 9mm Factory Magazine 15RD	9mm	15	Black	Yes
JM88510	PX4 Compact 9mm Factory Magazine 10RD	9mm	10	Black	Yes
JM88404	PX4 Compact .40S&W Factory Magazine 12RD	.40 S&W	12	Black	Yes
JMPX4S4E	Px4 Storm Sub-Compact .40S&W Magazine 10RD SNAP GRIP	.40 S&W	10	Black	Yes
JMPX4S4F	Px4 Storm Sub-Compact .40S&W Magazine 10RD	.40 S&W	10	Black	Yes
C89134	Beretta Px4 Storm .40 S&W Magazine 10RD	.40 S&W	10	Black	Yes
C89133	Beretta Factory Px4 Storm 9mm Magazine 10RD	9mm	10	Black	Yes



JM88400 / JM88510 / JM88404



JM88404



JMPX4S4F



C89134 / C89133

SHOTGUNS

PAGES 15 – 36



CHOKE TUBES



These choke tubes are factory OEM replacements for 12 gauge shotguns with the Mobilchoke system.

Beretta Mobilchoke tubes are available in two versions:

- Internal for 12, 20, and 28 Gauge
- Prolongued with length +25mm and +50mm for 12 Gauge

They have been designed in order to resist to the stress and ensure long durability. Treatments to which they have been subject protect them against corrosion.

MOBILECHOKE®

Code	Gauge	Constriction	Type
JCTUBE13	12	F	Flush
JCTUBE14	12	IM	Flush
JCTUBE15	12	M	Flush
JCTUBE16	12	IC	Flush
JCTUBE18	12	CL	Flush
JCTUBE17	12	SK	Flush

Code	Gauge	Constriction	Type
JCTUBE21	20	F	Flush
JCTUBE22	20	IM	Flush
JCTUBE23	20	M	Flush
JCTUBE24	20	IC	Flush
JCTUBE28	20	CL	Flush
JCTUBE27	20	SK	Flush

Code	Gauge	Constriction	Type
JCTUBE33	28	F	Flush
JCTUBE34	28	IM	Flush
JCTUBE35	28	M	Flush
JCTUBE36	28	IC	Flush
JCTUBE38	28	CL	Flush
JCTUBE37	28	SK	Flush

Code	Gauge	Constriction	Type
JCTUBE43	.410	F	Flush
JCTUBE44	.410	IM	Flush
JCTUBE45	.410	M	Flush
JCTUBE46	.410	IC	Flush
JCTUBE48	.410	CL	Flush
JCTUBE47	.410	SK	Flush

CHOKE TUBES

MOBILCHOKE® VICTORY

Code	Gauge	Constriction	Type
JCMEV13	12	F	1" Extended
JCMEV03	12	LF	1" Extended
JCMEV14	12	IM	1" Extended
JCMEV15	12	M	1" Extended
JCMEV05	12	LM	1" Extended
JCMEV16	12	IC	1" Extended
JCMEV17	12	SK USA	1" Extended
JCMEV18	12	CL	1" Extended

Code	Gauge	Constriction	Type
C61686	20	F	1" Extended
C61687	20	IM	1" Extended
C61688	20	M	1" Extended
C61689	20	IC	1" Extended
C61690	20	SK USA	1" Extended
C61691	20	CL	1" Extended



These Competition chokes can be used on all Mobilchoke barrels. Made of high quality steel, they are of a great stress resistance due to heat treatments. They are subjected to a special coating that guarantees high protection to corrosion. They are extended by 25mm-0.98" and their external shape has been studied in order to guarantee installation and de-installation without specific tools. The end of the choke is identified by a colored alloy stripe for fast and easy indication of the constriction.

MOBILCHOKE® UPLAND

Code	Gauge	Constriction	Type
E62119	12	TURKEY / F	1" Extended
E62123	12	DUCK / IM	1" Extended
E62122	12	PHEASANT / M	1" Extended
E62124	12	QUAIL / IC	1" Extended
E62120	12	DOVE / C	1" Extended



This new hunting choke fits all 12 gauge Mobilchoke shotgun barrels. Manufactured of high quality steel, heat-treated and specially coated to withstand the rigors of steel shot. The tube length extends 20 mm past the muzzle to provide easy identification, installation and removal. Each tube is fitted with a durable metal alloy band that is color coded and engraved with a game scene to identify the constriction. The engraved game scene allows the hunter to make the best choice of choke while in the field. This choke now features recessed tool notches for the standard Beretta choke wrench.

CHOKE TUBES



These Optima Choke tubes are available in internal and external versions for 12 gauge shotguns. They are longer and slimmer than conventional Mobilchoke tubes. Thanks to the elongated cone they minimize pellet deformation and improve shot patterns. The various versions are fully interchangeable on 12 gauge guns with Optima Bore barrels. These choke tubes are for 12 gauge shotguns with the Optima-Choke system only.

OPTIMACHOKE®

Code	Gauge	Constriction	Type
JCOCEI3	12	F	1" Extended
JCOCE03	12	LF	1" Extended
JCOCEI4	12	IM	1" Extended
JCOCEI5	12	M	1" Extended
JCOCE05	12	LM	1" Extended
JCOCEI6	12	IC	1" Extended
JCOCEI7U	12	SK USA	1" Extended
JCOCEI8	12	CL	1" Extended
JCOCEI7	12	SK	1" Extended



These Optima Choke tubes are available in internal and external versions for 12 gauge shotguns. They are longer and slimmer than conventional Mobilchoke tubes. Thanks to the elongated cone they minimize pellet deformation and improve shot patterns. The various versions are fully interchangeable on 12 gauge guns with Optima Bore barrels. These choke tubes are for 12 gauge shotguns with the Optima-Choke system only.

OPTIMACHOKE®

Code	Gauge	Constriction	Type
JCOCN13	12	F	Flush
JCOCN03	12	LF	Flush
JCOCN14	12	IM	Flush
JCOCN15	12	M	Flush
JCOCN05	12	LM	Flush
JCOCN16	12	IC	Flush
JCOCN18	12	CL	Flush
JCOCN17	12	SK	Flush

CHOKE TUBES

OPTIMACHOKE® PORTED

Code	Gauge	Constriction	Type
E62128	12	F	1" Extended
E62134	12	LF	1" Extended
E62129	12	IM	1" Extended
E62130	12	M	1" Extended
E62135	12	LM	1" Extended
E62131	12	IC	1" Extended
E62136	12	SK USA	1" Extended
E62132	12	C	1" Extended
E62133	12	SK EU	1" Extended



These chokes are for 12 gauge shotguns only. This new competition choke fits Optimachoke Competition 12 gauge shotgun barrels. Features carefully designed ports to counteract the perceived feel of recoil.

The tube length extends 25 mm past the muzzle to provide easy installation and removal without specific tools. Each choke tube is color coded with a durable metal alloy band for quick identification of the constriction during competition.

OPTIMACHOKE® PLUS

Code	Gauge	Constriction	Type
JCOPN12	12	EF	Flush
JCOPN13	12	F	Flush
JCOPN03	12	LF	Flush
JCOPN14	12	IM	Flush
JCOPN15	12	M	Flush
JCOPN05	12	LM	Flush
JCOPN16	12	IC	Flush
JCOPN17	12	SK USA	Flush
JCOPN18	12	CL	Flush



Optimachoke Plus are the latest news in terms of chokes and the best in term of performance, resistance and reliability. Thanks to an elongated cone, Optimachoke Plus guaranties an excellent shot pattern. The new shape improves resistance to the pressure and speed created by 3.5" cartridges with steel shot. The special heat treatment assures a high level of durability.

CHOKETUBES



Optimachoke Plus are the latest news in terms of chokes and the best in term of performance, resistance and reliability. Thanks to an elongated cone, Optimachoke Plus guaranties an excellent shot pattern. The new shape improves resistance to the pressure and speed created by 3.5" cartridges with steel shot. The special heat treatment assures a high level of durability.

OPTIMACHOKE® PLUS

Code	Gauge	Constriction	Type
JCOPEI2	12	EF (TURKEY)	1 3/4" Extended
JCOPEI3	12	F	3/4" Extended
JCOPE03	12	LF	3/4" Extended
JCOPEI4	12	IM	3/4" Extended
JCOPEI5	12	M	3/4" Extended
JCOPE05	12	LM	3/4" Extended
JCOPEI6	12	IC	3/4" Extended
JCOPEI7	12	SK USA	3/4" Extended
JCOPEI8	12	C	3/4" Extended



Beretta Optima-Choke® HP tubes stand up to the heat of competition. Manufactured from high strength steel and finished in a nickel-alloy coating, these chokes guarantee significant corrosion resistance and have the ability to withstand the rigors of steel shot. Optima-Choke® HP tubes are fully interchangeable on all Beretta barrels that are threaded for Optima-Choke® HP.

OPTIMACHOKE® HP

Code	Gauge	Constriction	Type
C62070	12	F	Flush
C62071	12	IM	Flush
C62072	12	M	Flush
C62073	12	IC	Flush
C62074	12	CL	Flush

OPTIMACHOKE® HP

Code	Gauge	Constriction	Type
C62139	12	F	1" Extended
C62140	12	IM	1" Extended
C62141	12	M	1" Extended
C62142	12	IC	1" Extended
C62143	12	CL	1" Extended
C62144	12	SK	1" Extended

CHOKE TUBES

OPTIMACHOKE® HP



Code	Gauge	Constriction	Type
C62178	12	F	3/4" extended
C62179	12	IM	3/4" extended
C62180	12	M	3/4" extended
C62181	12	IC	3/4" extended
C62182	12	CL	3/4" extended
C62183	12	SK	3/4" extended

Beretta Optima-Choke® HP tubes stand up to the heat of competition. Manufactured from high strength steel and finished in a nickel-alloy coating, these chokes guarantee significant corrosion resistance and have the ability to withstand the rigors of steel shot. Optima-Choke® HP tubes are fully interchangeable on all Beretta barrels that are threaded for Optima-Choke® HP.



OPTIMACHOKE® HP

Code	Gauge	Constriction	Type
C61848	20	F	Flush
C61849	20	IM	Flush
C61850	20	M	Flush
C61851	20	IC	Flush
C61852	20	C	Flush

Beretta Optima-Choke® HP tubes stand up to the heat of competition. Manufactured from high strength steel and finished in a nickel-alloy coating, these chokes guarantee significant corrosion resistance and have the ability to withstand the rigors of steel shot. Optima-Choke® HP tubes are fully interchangeable on all Beretta barrels that are threaded for Optima-Choke® HP.

TACTICAL CHOKE TUBES

Beretta TX4 Stand Off Device Optima HP Choke Tube CL (JCTACI)

Six Point Hex Breacher made from 6061 Mil Spec Aircraft Aluminum for light weight. This unit was designed for its radical look. It is a full functioning muzzle brake / recoil reducer, but do not let the looks fool you, it is still a functional breacher for occasional use.



BARRELS

390 / 390I Barrels

Code	Description	Frame	Rib	Finish
JB390126M	390 12/26/3/MC3	12	FLD	Matte
JB390128M	390 12/28/3/MC3	12	FLD	Matte
JB390224M	390 20/24/3/MC3	20	FLD	Matte
A6278111407000	390 20/26/3/MC2	20	FLD	Matte
JB390G28F2	390 20/28/3/MC	20	FLD	Matte

39I Urika / Teknys Barrels*

Code	Description	Frame	Rib	Finish
JB3911926V	39I 12/26/3/OB+	12	FLD	All Purpose
JB3913026V	39I 12/26/3/OB+	12	FLD	Blue
JB3911526V	39I 12/26/3/OB+	12	FLD	Matte
JB3911726V	39I 12/26/3/OB+	12	FLD	Hardwoods
JB3911528V	39I 12/28/3/OB+	12	FLD	Matte
JB3911828V	39I 12/28/3/OB+	12	FLD	Max-4
JB3917428V	39I 12/28/3/OB+	12	SPT/SK	Blue
JB3913028V	39I 12/28/3/OB+	12	FLD	Blue
JB3917628V	39I 12/28/3/OB	12 (TEKNYS SPT)	SPT/SK	Blue
JB3915728V	39I 12/28/3/OB	12	TRAP	Blue
JB3917430V	39I 12/30/3/OB	12	SPT/SK	Blue
JB3917630V	39I 12/30/3/OB	12 (TEKNYS SPT&TARGET)	SPT/SK	Blue
JB3915630V	39I 12/30/3/OB	12 (TEKNYS TRAP)	TRAP	Blue
JB3915730V	39I 12/30/3/OB	12	TRAP	Blue
JB3915632V	39I 12/32/3/OB	12 (TEKNYS TRAP)	TRAP	Blue
JB3915732V	39I 12/32/3/OB	12	TRAP	Blue
JB3912024	39I 20/24/3/MC	20	FLD	Blue
JB3912026	39I 20/26/3/MC	20	FLD	Blue
JB3912028	39I 20/28/3/MC	20	FLD	Blue
JB3918228	39I 20/28/3/MC	20	SPT/SK	Blue
JB3918428	39I 20/28/3/MC	20 (TEKNYS SPT)	SPT/SK	Blue
JB3918230	39I 20/30/3/MC	20	SPT/SK	Blue
JB3918430	39I 20/30/3/MC	20 (TEKNYS SPT)	SPT/SK	Blue

* Teknys BBLs have removable ribs

NOTES for O/U barrels:

All O/U barrels require fitting by a qualified gunsmith.

Sub-gauge barrels listed w/sideplate means these barrels can be fitted without the addition of a new forend. All other sub-gauge barrels will require the fitting of a new forend (wood and iron) in the proper size for frame and barrel gauge.

12 gauge frames can be fitted with 20 or 28 gauge barrels. 410 gauge is no longer an option 20 gauge frames can be fitted with 28 gauge barrels. 410 gauge is not an option. 28/410 gauge frames can be fitted with either 28 or 410 gauge barrels.

BARRELS

391 Xtrema 2 Barrels (Fits Xtrema 1 Also)

Code	Description	Frame	Rib	Finish
JB391X2P26	XTREMA2 12/26/3.5/OB+	12	FLD	All Purpose
JB391X2M24	XTREMA2 12/24/3.5/OB+	12	FLD	Hardwoods
JB391X2M26	XTREMA2 12/26/3.5/OB+	12	FLD	Hardwoods
JB391X2H26	XTREMA2 12/26/3.5/OB+	12	FLD	Max-4
JB391X2B26	XTREMA2 12/26/3.5/OB+	12	FLD	Matte
JB391X2H28	XTREMA2 12/28/3.5/OB+	12	FLD	Max-4
JB391X2B28	XTREMA2 12/28/3.5/OB+	12	FLD	Matte

A400 Barrels

Code	Description	Frame	Rib	Finish
JB400BF26	A400 12/26" 3.5" /HP	12	FLD	Matte
JB400BF28	A400 12/28" 3.5" /HP	12	FLD	Matte
JB400BF30	A400 12/30" 3.5 / HP	12	FLD	Matte
JB400X26	A400 Light 12/26" 3" OB	12	FLD	Matte
JB400X28	A400 Light 12/28" 3" OB	12	FLD	Matte

SV10 Series Barrels

Code	Description	Frame	Rib	Finish
JBSV10BF26	SV10 12/26/3/HP MATTE FLD	12	FLD	Matte
JBSV10BF28	SV10 12/28/3/HP MATTE FLD	12	FLD	Matte
JBSV10BF30	SV10 12/30/3/HP MATTE FLD	12	FLD	Matte
JBSV10BS26	SV10 12/26/3/HP MATTE SPT	12	SPT/SK	Matte
JBSV10BS28	SV10 12/28/3/HP MATTE SPT	12	SPT/SK	Matte
JBSV10BS30	SV10 12/30/3/HP MATTE SPT	12	SPT/SK	Matte

NOTES for O/U barrels:

All O/U barrels require fitting by a qualified gunsmith.

Sub-gauge barrels listed w/sideplate means these barrels can be fitted without the addition of a new forend. All other sub-gauge barrels will require the fitting of a new forend (wood and iron) in the proper size for frame and barrel gauge.

12 gauge frames can be fitted with 20 or 28 gauge barrels. 410 gauge is no longer an option 20 gauge frames can be fitted with 28 gauge barrels. 410 gauge is not an option. 28/410 gauge frames can be fitted with either 28 or 410 gauge barrels.



BERETTA
500 YEARS. ONE PASSION.

BARRELS

680 Series Barrels

Code	Description	Frame	Rib	Finish
A8NT6I43P001II	682 12/28/3/OB GLD E SKT	12	SPT/SK	Matte
A8NR6I43P001II	682 12/28/3/OB GLD E SPTG	12	SPT/SK	Matte
A8NT6I435001II	682 12/30/3/OB GLD E SKT	12	SPT/SK	Matte
A8NR6I435001II	682 12/30/3/OB GLD E SPTG	12	SPT/SK	Matte
A8NP6I435001II	682 12/30/3/OB GLD E TRP	12	TRAP	Matte
A8NR6I43F001II	682 12/32/3/OB GLD E SPTG	12	SPT/SK	Matte
A8NP6I43A001II	682 12/32/3/OB GLD E TRP	12	TRAP	Matte
7NA6I122002II	686 12/26/3/MC	12	FLD	Blue
7NA6I123002II	686 12/28/3/MC	12	FLD	Blue
7N32I123004II	686 12/28/3.5/MC ONYX	12	FLD	Matte
7N36I123002II	686 12/28/3/MC ONYX	12	FLD	Matte
A7N38I123002II	686 20/28/3/MC	20	FLD	Matte
A7N18I4I9002II	686 20/28/3/MC	20	SPT/SK	Blue
A7N18I4IA001II	686 20/30/3/MC	20	SPT/SK	Blue
A7N18I42A006II	686 20/30/3/MC	20	SPT/SK	Matte
A7N18I4IA002II	686 20/30/3/MC	20	SPT/SK	Blue
A7N66I12002II	687 12/26/3/MC EELL	12	FLD	Blue
7N66I123004II	687 12/28/3/MC EELL	12	FLD	Blue
A8NR6I43M001II	687 12/28/3/MC EELL	12	SPT/SK	Blue
7NI5I4IH00BII	687 12/30/3/MC EELL	12	SPT/SK	Blue
A7N68I12004II	687 20/26/3/MC EELL	20	FLD	Blue
A7N68I123002II	687 20/28/3/MC EELL	20	FLD	Blue
A7N2EII13009II	687 20/28/3/MC JUBILEE	20	SPT/SK	Blue
A7N68I124004II	687 20/30/3/MC EELL	20	SPT/SK	Blue
7N65I12004II	687 28/26/MC EELL	28/410	FLD	Blue
A7N65I123002II	687 28/28/MC EELL	28/410	FLD	Blue
A7N65I125002II	687 28/30/MC EELL	28/410	SPT/SK	Blue
A7N6GII12004II	687 410/26/MC EELL	28/410	FLD	Blue
A7N6GII13007II	687 410/28/MC EELL	28/410	FLD	Blue
A7N9GII1H009II	687 410/30/MC	28/410	SPT/SK	Blue

NOTES for O/U barrels:

All O/U barrels require fitting by a qualified gunsmith.

Sub-gauge barrels listed w/sideplate means these barrels can be fitted without the addition of a new forend. All other sub-gauge barrels will require the fitting of a new forend (wood and iron) in the proper size for frame and barrel gauge.

12 gauge frames can be fitted with 20 or 28 gauge barrels. 410 gauge is no longer an option 20 gauge frames can be fitted with 28 gauge barrels. 410 gauge is not an option. 28/410 gauge frames can be fitted with either 28 or 410 gauge barrels.

BARRELS

680 Series Barrels (Sub-Gauge Barrels)

Code	Description	Frame	Rib	Finish
A8N9D142V7711I	682 20/26/3/MC W/S.PLATE	12	FLD	Matte
A8N7D142Z0021I	682 20/28/3/MC W/S.PLATE	12	FLD	Matte
A8N7D142R0021I	682 20/30/3/MC W/S.PLATE	12	SPT/SK	Matte
A8NRB142Z0021I	682 28/28//MC W/S.PLATE	12	FLD	Matte
A8NRB142R0021I	682 28/30//MC W/S.PLATE	12	SPT/SK	Matte
A7N6E11120021I	687 28/26//MC	20	FLD	Blue
A7N6E11130021I	687 28/28//MC	20	FLD	Blue
A7N15141H00B1I	687 28/30//MC	20	SPT/SK	Matte



DT10 Barrels

Code	Description	Frame	Rib	Finish
A8NM6143P0021I	DT10 12/28/3/OB SPT/SKT	12	SPT/SK	Blue
A8NE614350021I	DT10 12/30/3/OB SPT	12	SPT/SK	Blue
A8NE6143A0021I	DT10 12/32/3/OB SPT	12	SPT/SK	Blue
A8NEA14380022I	DT10 20/30/3/MC SPT	12	SPT/SK	Blue
A8NX6143500N1I	DT10 12/30/3/OB TRAP	12	TRAP	Blue
A8NX6143F00N1I	DT10 12/32/3/OB TRAP	12	TRAP	Blue
8NW614370991I	DT10 12/34/3/OB UNSINGLE	12	TRAP	Blue
A8NV614369091I	DT10 12/34/3/OB TOP SINGLE	12	TRAP	Blue

NOTES for O/U barrels:

All O/U barrels require fitting by a qualified gunsmith.

Sub-gauge barrels listed w/sideplate means these barrels can be fitted without the addition of a new forend. All other sub-gauge barrels will require the fitting of a new forend (wood and iron) in the proper size for frame and barrel gauge.

12 gauge frames can be fitted with 20 or 28 gauge barrels. 410 gauge is no longer an option 20 gauge frames can be fitted with 28 gauge barrels. 410 gauge is not an option. 28/410 gauge frames can be fitted with either 28 or 410 gauge barrels.

BARRELS

SO Series Barrels

Code	Description	Frame	Rib	Finish
A4G66I433002II	SO5 12/30/OC	12	SPT/SK	Blue
A4G66I435002II	SO5 12/32/OC	12	SPT/SK	Blue
A4G6I1435002II	SO5 12/32/MC	12	SPT/SK	Blue
A4G8I1436\$IIII	SO6 12/30MC	12	SPT/SK	Blue
A4G6I1433006II	SO6 12/30/MC EELL	12	SPT/SK	Blue
A4GA5I13E4\$IIII	SO9 28/26/ IC/IC	12	SPT/SK	Blue

47I Barrels

Code	Description	Frame	Rib	Finish
A7NP6I11842III	47I 12/26/3 IC/IM	12	FLD	Blue
A7NP8I11800III	47I 20/26/3/MC	20	FLD	Blue
A7NP8I11500III	47I 20/28/3/MC	20	FLD	Blue

NOTES for O/U barrels:

All O/U barrels require fitting by a qualified gunsmith.

Sub-gauge barrels listed w/sideplate means these barrels can be fitted without the addition of a new forend. All other sub-gauge barrels will require the fitting of a new forend (wood and iron) in the proper size for frame and barrel gauge.

12 gauge frames can be fitted with 20 or 28 gauge barrels. 410 gauge is no longer an option 20 gauge frames can be fitted with 28 gauge barrels. 410 gauge is not an option. 28/410 gauge frames can be fitted with either 28 or 410 gauge barrels.

STOCKS AND FORE ENDS

Competition Semiautomatic Stocks

Code	Description	Fits on Shotguns
C83737	Stock for AL391 Teknys Gold Target	J39IT00
C71925	Stock for AL391 Teknys Gold Sporting	J39IT70 / J39IT78
C71927	Stock for AL391 Teknys Gold Sporting	J39IT80 / J39IT88
C5D133	Stock for AL391 Urika 2 Sporting X-TRA GRAIN	J39TJ10 / J39TJ18
C5D137	Stock for AL391 Urika 2 Sporting X-TRA GRAIN	J39TJ20 / J39TJ28
C5B061	Stock for AL391 Urika 2 Gold Sporting	J39TK10 / J39TK18
C5D135	Stock for AL391 Urika 2 Parallel Target RL X-TRA GRAIN	J39TMI0 / J39TMI8
C5D136	Stock for AL391 Urika 2 Parallel Target SL X-TRA GRAIN	J39TNI0 / J39TNI2
C5D165	Stock for AL391 Urika 2 Gold Parallel Target SL	J39TPI0 / J39TPI2
C89945	Stock for AL391 Urika 2 Sporting KO Synthetic	J39TX10
C8A135	Stock for UGB Gold Sporting	JUX5S10 / JUX5S12
C87876	Stock for UGB25 Xcel Trap	JUX5T10

Competition Over and Under Stocks

Code	Description	Fits on Shotguns
C81440	Stock for 682 Gold E, Trap, Bottom Single Combo	J682E20 / J682E22 / J682E25
C81822	Stock for 682 Gold E, Trap, Combo Top Single	J682E30 / J682E32
C81825	Stock for 682 Gold E, Skeet, Adj. Stock	J682E40 / J682E42
C5A121	Stock for 682 Gold E, Sporting	J682E72 / J682E74
C5C420	Stock for 686 White Onyx, Sporting	J6868A0 / J6868A2
C84859	Stock for 687 Silver Pigeon II, Sporting	J687406 / J687416 / J687418
C83144	Stock for 687 Silver Pigeon II, Sporting	J687425 / J687435 / J687437
C84573	Stock for 687 EELL Diamond Pigeon, Sporting	J687966 / J687976
C83156	Stock for 687 EELL Diamond Pigeon, Sporting	J687980
C83219	Stock for 687 EELL Diamond Pigeon, Sporting	J687985 / J687990
C8A030	Stock for SV10 Prevail Sporting	JV28E10 / JV28E12
C8A034	Stock for SV10 Prevail Sporting w/KO	JV28F10 / JV28F12
C8A096	Stock for SV10 Prevail Game Scene Sporting	JV28R10 / JV28R12
C8A098	Stock for SV10 Prevail Game Scene Sporting w/KO	JV28T10 / JV28T12

STOCKS AND FORE ENDS

Hunting Semiautomatic Stocks

Code	Description	Fits on Shotguns
R54140	Stock for 390I Target RL 12/26 (wood)	J390Y16
UD5A0004	Stock for 390I Target RL 12/28 (plastic)	J390Y18
C89923	Stock for A39I Xtrema2 Synthetic/AL39I Urika 2 Synthetic	J39IA26 / J39TTI8
C89924	Stock for A39I Xtrema2 MAX-4/AL39I Urika 2 MAX-4	J39IC26 / J39TUI8
C8A286	Stock for A39I Xtrema2 MAX-4	J39IC28-I
C89945	Stock for A39I Xtrema2 KO Synthetic/AL39I Urika 2 KO Synthetic	J39ID26 / J39ID28 / J39TDI8
C89946	Stock for A39I Xtrema2 KO Max-4/AL39I Urika 2 KO MAX-4	J39IF26 / J39IF28 / J39TEI8
C89065	Stock for A39I Xtrema2 AP/AL39I Urika 2 AP	J39IJ26 / J39TVI6
C89048	Stock for A39I Xtrema2 KO AP/AL39I Urika 2 KO AP	J39IK26 / J39TRI6
C5DI12	Stock for AL39I Urika 2 X-TRA GRAIN	J39TA16 / J39TAI8
C5DI13	Stock for AL39I Urika 2 X-TRA GRAIN	J39TA26 / J39TA28
C5D232	Stock for AL39I Urika 2 Youth X-TRA GRAIN	J39TC24
C8A150	Stock for XPLORE LIGHT	J40LA16 / J40LA18
E8A316	Stock for XPLORE LIGHT KO	J40LY16 / J40LY18
C71763	Stock for AL39I Teknys Gold King Ranch	JS39IKR1 / JS39IKR2
C71764	Stock for AL39I Teknys Gold King Ranch	JS39IKR3 / JS39IKR4

Hunting Side-By-Side Stocks

Code	Description	Fits on Shotguns
C81923	Stock for 47I Silver Hawk (English Stock, Splinter Fore-end)	J47I200 / J47I210
C81932	Stock for 47I Silver Hawk (English Stock, Splinter Fore-end)	J47I225 / J47I235
C81900	Stock for 47I Silver Hawk (Pistol Grip, Beaver tail Fore-end)	J47I240 / J47I250
C81906	Stock for 47I Silver Hawk (Pistol Grip, Beaver tail Fore-end)	J47I260 / J47I270

STOCKS AND FORE ENDS

Hunting Over-and Under Stocks

Code	Description	Fits on Shotguns
C84667	Stock for 686 White Onyx	J6862J6 / J6862J8
C83345	Stock for 686 White Onyx	J6862K6 / J6862K8 / J6862M6 / J6862M8
C5E274	Stock for 686 Silver Pigeon I	J6863J6 / J6863J8
C5A176	Stock for 687 Ultralight Matte	J687559
C59907	Stock for 687 Ultralight Deluxe	J687575
C84838	Stock for 687 Silver Pigeon II	J687105 / J687115
C83144	Stock for 687 Silver Pigeon II	J687135 / J687145 / J687155
C83883	Stock for 687 Silver Pigeon III	J6871G6 / J6871G8
C83888	Stock for 687 Silver Pigeon III	J6871J6 / J6871J8
C83892	Stock for 687 Silver Pigeon III	J6871K6 / J6871K8
C83013	Stock for 687 Silver Pigeon V	J6871N6 / J6871N8
C83026	Stock for 687 Silver Pigeon V	J6871Q6 / J6871Q8
C83017	Stock for 687 Silver Pigeon V (English Stock)	J6871Q8S
C83616	Stock for 687 Silver Pigeon V	J6871R6 / J6871S8 / J6871R8
C83618	Stock for 687 Silver Pigeon V (English Stock)	J6871R8S / J6871S8S
C84802	Stock for 687 EELL Diamond Pigeon/687 EELL Diamond Pigeon King Ranch	J687300 / J687310 / JS687KR6
C83156	Stock for 687 EELL Diamond Pigeon/687 EELL Diamond Pigeon King Ranch	J687320 / J687340 / J687385 / JS687KR8
C83219	Stock for 687 EELL Diamond Pigeon/687 EELL Diamond Pigeon King Ranch	J687390 / J687395 / J6873A0 / JS687KR10 / JS687KR12
C5C828	Stock for 686 Silver Pigeon S King Ranch	JS686KR1 / JS686KR2 / JS686KR3 / JS686KR4
C88721	Stock for SV10 Perennia III	JVI3A16 / JVI3A18
C88725	Stock for SV10 Perennia III KO	JVI3B18

Competition Semiautomatic Fore End

Code	Description	Fits on Shotguns
C81912	Fore end for AL391 Teknys Gold Target/AL391 Teknys Gold Sporting	J391T00 / J391T70 / J391T78
C81967	Fore end for AL391 Teknys Gold Sporting	J391T80 / J391T88
C83917	Fore end for AL391 Urika 2 Sporting X-TRA GRAIN AL391 Urika 2 Parallel Target RL X-TRA GRAIN	J39TJ10 / J39TJ18 / J39TMI0 / J39TMI8 / J39TNI0 / J39TNI2
C83919	Fore end for AL391 Urika 2 Sporting X-TRA GRAIN	J39TJ20 / J39TJ28
C81772	Fore end for AL391 Urika 2 Gold Sporting AL391 Urika 2 Gold Parallel Target SL	J39TK10 / J39TK18 / J39TPI0 / J39TPI2
C81297	Fore end for AL391 Urika 2 Sporting KO Synthetic	J39TX10
C5D953	Fore end for UGB Gold Sporting	JUX5S10 / JUX5S12
C5C022	Fore end for UGB25 Xcel Trap	JUX5T10

STOCKS AND FORE ENDS

Competition Over-and-Under Fore End

Code	Description	Fits on Shotguns
C5D203	Fore end for 682 Gold E, Trap, Bottom Single/Single Combo	J682E20 / J682E22 / J682E25
C5A119	Fore end for 682 Gold E, Trap, Combo Top Single/Skeet, Adj. Stock	J682E30 / J682E32 / J682E40 / J682E42
C5A120	Fore end for 682 Gold E, Sporting	J682E72 / J682E74
C54455	Fore end for 686 White Onyx, Sporting/687 Silver Pigeon II, Sporting	J6868A0 / J6868A2 / J687406 / J687416 / J687418
C55303	Fore end for 687 Silver Pigeon II, Sporting	J687425 / J687435 / J687437
C55443	Fore end for 687 EELL Diamond Pigeon, Sporting	J687966 / J687976
C5D019	Fore end for 687 EELL Diamond Pigeon, Sporting	J687980
C57697	Fore end for 687 EELL Diamond Pigeon, Sporting	J687985
C5A007	Fore end for 687 EELL Diamond Pigeon, Sporting	J687990
C5D617	Fore end for SV10 Prevail Sporting	JV28E10 / JV28E12 / JV28F10 / JV28F12
C5D799	Fore end for SV10 Prevail Game Scene Sporting	JV28R10 / JV28R12 / JV28T10 / JV28T12

Hunting Semiautomatic Fore End

Code	Description	Fits on Shotguns
R70182	Fore end for 3901 Target RL 12/26 (wood)	J390Y16
UD5A0005	Fore end for 3901 Target RL 12/28 (plastic)	J390Y18
C87928	Fore end for A391 Xtrema2 KO Synthetic/A391 Xtrema2 Synthetic	J391D26 / J391D28 / J391A26
C87930	Fore end for A391 Xtrema2 KO Max-4/A391 Xtrema2 MAX-4	J391F26 / J391F28 / J391C26 / J391C28-I
C88308	Fore end for A391 Xtrema2 AP	J391J26 / J391K26
C83917	Fore end for AL391 Urika 2 X-TRA GRAIN	J39TA16 / J39TA18
C83919	Fore end for AL391 Urika 2 X-TRA GRAIN	J39TA26 / J39TA28 / J39TC24
C81297	Fore end for AL391 Urika 2 KO Synthetic/AL391 Urika 2 Synthetic	J39TD18 / J39TT18
C83946	Fore end for AL391 Urika 2 KO MAX-4/AL391 Urika 2 MAX-4	J39TE18 / J39TUI8
C83945	Fore end for AL391 Urika 2 KO AP/AL391 Urika 2 AP	J39TRI6 / J39TVI6
C8A151	Fore end for XPLOR LIGHT	J40LA16 / J40LA18 / J40LY16 / J40LY18
C83707	Fore end for AL391 Teknys Gold King Ranch	JS39IKR1 / JS39IKR2
C83708	Fore end for AL391 Teknys Gold King Ranch	JS39IKR3 / JS39IKR4

STOCKS AND FORE ENDS

Hunting Side-by-Side Fore End

Code	Description	Fits on Shotguns
C58011	Fore end for 471 Silver Hawk (English Stock, Splinter Fore-end)	J471200 / J471210 / J471225 / J471235
C58161	Fore end for 471 Silver Hawk (Pistol Grip, Beaver tail Fore-end)	J471240 / J471250
C5A390	Fore end for 471 Silver Hawk (Pistol Grip, Beaver tail Fore-end)	J471260 / J471270

Hunting Over-and-Under Fore End

Code	Description	Fits on Shotguns
C54418	Fore end for 687 Ultralight Deluxe	J687575
C54429	Fore end for 686 Silver Pigeon I/687 Silver Pigeon II	J6863J6 / J6863J8 / J687105J687115
C55297	Fore end for 687 EELL Diamond Pigeon King Ranch	JS687KR6
C55303	Fore end for 687 Silver Pigeon II	J687135 / J687145
C55304	Fore end for 686 Silver Pigeon II Combo	J687155
C55393	Fore end for 687 Silver Pigeon II Combo	J687155
C57469	Fore end for 687 EELL Diamond Pigeon King Ranch	JS687KR8
C57697	Fore end for 687 EELL Diamond Pigeon Combo 687 EELL Diamond Pigeon King Ranch	J6873A0 / JS687KR10
C58246	Fore end for 686 White Onyx	J6862J6 / J6862J8
C59827	Fore end for 686 White Onyx	J6862K6 / J6862K8
C59843	Fore end for 686 White Onyx	J6862M6 / J6862M8
C5A007	Fore end for 686 EELL Diamond Pigeon Combo 687 EELL Diamond Pigeon King Ranch	J6873A0 / JS687KR12
C5A161	Fore end for 687 Ultralight Matte	J687559
C5A809	Fore end for 687 Silver Pigeon V	J687IN6 / J687IN8
C5A810	Fore end for 687 Silver Pigeon V	J687IQ6 / J687IQ8 / J687IQ8S
C5C253	Fore end for 687 EELL Diamond Pigeon	J687320 / J687340 / J687385
C5C256	Fore end for 687 EELL Diamond Pigeon	J687300 / J687310
C5C354	Fore end for 687 Silver Pigeon V	J687IR6 / J687IR8 / J687IR8S
C5C363	Fore end for 687 Silver Pigeon V	J687IS8 / J687IS8S
C5C829	Fore end for 686 Silver Pigeon S King Ranch	JS686KR1 / JS686KR2
C5C830	Fore end for 686 Silver Pigeon S King Ranch	JS686KR3 / JS686KR4
C5D021	Fore end for 687 EELL Diamond Pigeon Combo	J687385
C5D022	Fore end for 687 EELL Diamond Pigeon	J687390 / J687395
C5D087	Fore end for 687 Silver Pigeon III	J687IG6 / J687IG8
C5D088	Fore end for 687 Silver Pigeon III	J687IJ6 / J687IJ8
C5D090	Fore end for 687 Silver Pigeon III	J687IK6 / J687IK8
C5D496	Fore end for SV10 Perennia III	JVI3A16 / JVI3A18 / JVI3B18

STOCKS AND FORE ENDS

Competition Semiautomatic Set

Code	Description	Fits on Shotguns
C88410	set AL391 Teknys Gold Target	J39IT00
C87091	set AL391 Teknys Gold Sporting	J39IT70 / J39IT78
C87494	set AL391 Teknys Gold Sporting	J39IT80 / J39IT88
C88385	set AL391 Urika 2 Sporting X-TRA GRAIN	J39TJ10 / J39TJ18
C88220	set AL391 Urika 2 Sporting X-TRA GRAIN	J39TJ20 / J39TJ28
C87081	set AL391 Urika 2 Gold Sporting	J39TK10 / J39TK18
C88387	set AL391 Urika 2 Parallel Target RL X-TRA GRAIN	J39TM10 / J39TM18
C88389	set AL391 Urika 2 Parallel Target SL X-TRA GRAIN	J39TN10 / J39TN12
C88395	set AL391 Urika 2 Gold Parallel Target SL	J39TP10 / J39TP12
C89991	set UGB Gold Sporting	JUX5S10 / JUX5S12
C87877	set UGB25 Xcel Trap	JUX5T10

Competition Over-and-Under Set

Code	Description	Fits on Shotguns
C89064	set 682 Gold E, Trap, Bottom Single/Single Combo	J682E20 / J682E22 / J682E25
C86090	set 682 Gold E, Trap, Combo Top Single	J682E30 / J682E32
C86093	set 682 Gold E, Skeet, Adj. Stock	J682E40 / J682E42
C86097	set 682 Gold E, Sporting	J682E72 / J682E74
C87919	set 686 White Onyx, Sporting	J6868A0 / J6868A2
C84064	set 687 Silver Pigeon II, Sporting	J687406 / J687416 / J687418
C84312	set 687 Silver Pigeon II, Sporting	J687425 / J687435
C86269	set 687 Silver Pigeon II, Sporting	J687437
C84209	set 687 EELL Diamond Pigeon, Sporting	J687966 / J687976
C89404	set 687 EELL Diamond Pigeon, Sporting	J687980
C84364	set 687 EELL Diamond Pigeon, Sporting	J687985
C85812	set 687 EELL Diamond Pigeon, Sporting	J687990
C8A032	set SV10 Prevail Sporting	JV28E10 / JV28E12
C8A036	set SV10 Prevail Sporting w/KO	JV28F10 / JV28F12
C8A112	set SV10 Prevail Game Scene Sporting	JV28R10 / JV28R12
C8A114	set SV10 Prevail Game Scene Sporting w/KO	JV28T10 / JV28T12

Hunting Semiautomatic Set

Code	Description	Fits on Shotguns
C88197	set AL391 Urika 2 X-TRA GRAIN	J39TA16 / J39TA18
C88199	set AL391 Urika 2 X-TRA GRAIN	J39TA26 / J39TA28
C88215	set AL391 Urika 2 Youth X-TRA GRAIN	J39TC24
C8A147	set XPLOR LIGHT	J40LA16 / J40LA18
C8A317	set XPLOR LIGHT KO	J40LY16 / J40LY18
C87955	set AL391 Teknys Gold King Ranch	JS39IKR1 / JS39IKR2
C87956	set AL391 Teknys Gold King Ranch	JS39IKR3 / JS39IKR4

STOCKS AND FORE ENDS

Hunting Side-by-Side Set

Code	Description	Fits on Shotguns
C87102	set 471 Silver Hawk (English Stock, Splinter Fore-end)	J471200 / J471210
C87111	set 471 Silver Hawk (English Stock, Splinter Fore-end)	J471225 / J471235
C87061	set 471 Silver Hawk (Pistol Grip, Beaver tail Fore-end)	J471240 / J471250
C87067	set 471 Silver Hawk (Pistol Grip, Beaver tail Fore-end)	J471260 / J471270

Hunting Over-and-Under Set

Code	Description	Fits on Shotguns
C84348	set 686 White Onyx	J6862J6 / J6862J8
C84347	set 686 White Onyx	J6862K6 / J6862K8
C87390	set 686 White Onyx	J6862M6 / J6862M8
C8A319	set 686 Silver Pigeon I	J6863J6 / J6863J8
C86990	set 687 Ultralight Matte	J687559
C85481	set 687 Ultralight Deluxe	J687575
C84051	set 687 Silver Pigeon II	J687105 / J687115
C84312	set 687 Silver Pigeon II	J687135 / J687145
C85948	set 687 Silver Pigeon II Combo	J687155
C88144	set 687 Silver Pigeon III	J6871G6 / J6871G8
C88149	set 687 Silver Pigeon III	J6871J6 / J6871J8
C88158	set 687 Silver Pigeon III	J6871K6 / J6871K8
C87289	set 687 Silver Pigeon V	J6871N6 / J6871N8
C87293	set 687 Silver Pigeon V	J6871Q6 / J6871Q8
C87292	set 687 Silver Pigeon V (English Stock)	J6871Q8S
C87767	set 687 Silver Pigeon V	J6871R6 / J6871R8
C87769	set 687 Silver Pigeon V (English Stock)	J6871R8S
C87836	set 687 Silver Pigeon V	J6871S8
C87838	set 687 Silver Pigeon V (English Stock)	J6871S8S
C89352	set 687 EELL Diamond Pigeon	J687300 / J687310
C89368	set 687 EELL Diamond Pigeon	J687320 / J687340
C89499	set 687 EELL Diamond Pigeon Combo	J687385
C89457	set 687 EELL Diamond Pigeon	J687390 / J687395
C87336	set 687 EELL Diamond Pigeon Combo	J6873A0
C87957	set 686 Silver Pigeon S King Ranch	JS686KR1 / JS686KR2
C87958	set 686 Silver Pigeon S King Ranch	JS686KR3 / JS686KR4
C84364	set 687 EELL Diamond Pigeon King Ranch	JS687KR10
C85812	set 687 EELL Diamond Pigeon King Ranch	JS687KR12
C84163	set 687 EELL Diamond Pigeon King Ranch	JS687KR6
C84326	set 687 EELL Diamond Pigeon King Ranch	JS687KR8
C88726	set SV10 Perennia III	JVI3A16 / JVI3A18
C88728	set SV10 Perennia III KO	JVI3B18

MISCELLANEOUS



Beretta Competition Balance System (E00377)

Beretta has introduced a special system called BBS (Beretta Balance System) for the shooters who want to keep a forward balance and add weight, by simply replacing the fore-end cap with an extra cap.

- The fore-end cap mounted on the shotgun is the lighter one, marked LT (light).
- The extra cap (marked M) is the medium weight cap, and the second spare cap (marked H) is the heavy cap.
- Choose your ideal balance by mounting the caps to the fore-end.
- BBS can be mounted on all AL391 Urika/Teknys Semiauto Series.
- BBS also comes with a plastic case.



Over&Under Adjustable Trigger Kit (E00168) / (E00167)

Single trigger, derived from the S682 Gold Evolution, and applicable to all Over-&-Unders (Series S680). The trigger is adjustable in three positions and it gives the possibility to adapt the shotgun to shooters' hand and shooting style.

The set is available in two versions (right hand trigger and left hand trigger). The set includes all the parts needed for installation on single selective and non selective trigger shotguns.

Part Number	Gauge	Description
E00167	12	Adjustable trigger set with right hand trigger
E00168	12	Adjustable trigger set with left hand trigger



Scope Base for AL391/A391 Shotguns Camo Finishing (E00337)

This base allows the installation of a scope to your AL319/A391 shotgun. Weaver interface. Camouflage Realtree Hardwoods(r) HD



Scope Base for AL391/A391 Shotguns (C61275)

This base allows the installation of a scope to your AL319/A391 shotgun. Weaver interface. Matt black finish.



Grip Kit B-Warm, fits Xtrema & Urika Synthetic Stocks (C62193)

The bags require from 10' to 15' minutes for activation. They instantly start to heat up when they come in contact with air.

The bags will feel extremely warm to the touch when they are ready for use.

One bag in the Grip B-Warmer lasts 4 to 5 hours



B-Warm Bag (C62173)

B-Warm replacement Bag.

MISCELLANEOUS

Beretta Xtrema Fore-end Cap w/ swivel stud & 1 Stock Stud (black) (E8A157)

Beretta Xtrema Fore-end Cap w/ swivel stud & 2 stock studs (black) The perfect Kit for updating your Xtrema with a Sling.



Beretta Xtrema Fore-end Cap w/ swivel stud & 1 stock stud Max4 (E8A303)

Beretta Xtrema Fore-end Cap w/ swivel stud & 2 stock studs (black) The perfect Kit for updating your Xtrema with a Sling.



Beretta MICRO-CORE Field Recoil Pad (E7300)

SOFT, LIGHT AND FITTABLE! A further step forward in performance. Soft, light and able to slide during shouldering.

MICRO CORE is an innovative recoil pad developed by Beretta thanks to its experience matured over decades on competition fields around the world. Thanks to the open cell technopolymer, softer, lighter and fittable.

MICRO CORE expands gradually and instantly, increasing its surface area on the shoulder and giving the shotgun secure and precise support.

Code	Application	Thickness
E73004	Field	.79"
E73005	Field	.59"
E73006	Field	.40"
E73021	Skeet	.40"
E73022	Skeet	.79"
E73023	Skeet	.59"
E73024	Trap	.40"
E73025	Trap	.79"
E73026	Trap	.59"

RECOIL SYSTEMS



Beretta Kick-Off® SYSTEM Xtrema (C87927)

Beretta's new Kick-Off hydraulic dampening reduction system reduces recoil an astounding 44% more than its closest rival by using two hydraulic recoil dampers incorporated into the stock "spacer" unit. The recoil energy is gradually dissipated by the hydraulic dampers, resulting in superior comfort for the shooter. This version fits on the Xtrema, Xtrema2 and Urika.



RECOIL SYSTEMS



A400 Xplor, Kick Off Unit (C88306)

Laboratory tests have shown two distinct peaks in recoil. The explosion of the ammunition is the first the impact of the bolt against the receiver is the second. Kick-Off 3 is a third hydraulic damper that cushions this stress on the mechanical components and further reduces recoil by an additional 10% for a total recoil reduction of 70%.

Kick-Off® is the only recoil reduction in the world that uses two hydraulic dampeners very similar to those in automobile suspensions. All the other systems on the market are based on the deformation of soft materials like rubber, polyurethane or polymer inserts. The difference? 70% less recoil than the nearest competitor.



Field Recoil Pad Spacer Kit (C61866)

Beretta Field Recoil Pad Spacer Kit, fits on all the FIELD stocks and short stocks for X-Trema Shotguns.



Gel-Tek Cheek Protector 3mm (E00378)

Gel-Tek Cheek Protector 6mm (E00489)

Beretta has an exclusive on this item and its so unique!

Features and Benefits:

- The pad can be moved from gun to gun and put back into the package for use later.
- It can be used on slug guns or trap guns if a shooter needs to raise the comb or point of impact.
- It can be put on wood or synthetic stocks. It also eliminates bruised cheeks that trap shooters sometimes get.
- Its opaque in color so you can still see the stock thru it. It can be on hundreds of stocks and still works.

SIGHTS



Hunting and Competition Seven Piece Sight Set (7 pcs) (E00192)

Hunting and Competition Seven-Piece Front Sight Kit for Beretta Shotguns. This kit includes the following sights:

Style	Height	Diameter	Width
Round metal	0.07"	0.06"	N/A
Round metal	0.10"	0.10"	N/A
Bradley White Color	0.10"	0.13"	N/A
Bradley White Color	0.10"	0.11"	N/A
"Light" Red Color	0.10"	0.15"	0.47"
"Light" Red Color	0.10"	0.14"	0.49"
"Light" Red Color	0.10"	0.11"	0.31"

RIFLES & CARBINES

PAGES 37 – 49



BERETTA
500 YEARS. ONE PASSION.

CX4 STORM ACCESSORIES



CX4 Storm Cocking Handle (C79898)

Beretta CX4 Cocking Handle. It's Reversible, and it can be installed on both sides simultaneously.



CX4 Storm Stock Spacer (C5A674)

Adjust the length of pull of your CX4 to your specifications with this stock spacer.



CX4 Storm Magazine Release

Product Code	Description
C89110	CX4 Storm, Magazine Release 8000 SERIES
C89109	CX4 Storm, Magazine Release 92 / 96 SERIES
C89210	CX4 Storm, Magazine Release PX4 SERIES (not .45ACP)



CX4 Magazine Insert

This magazine well insert for the Beretta Cx4 carbine will allow the shooter to utilize Beretta pistol magazines. The ability to use the same magazines in both the pistol and carbine is not only convenient, but also saves the shooter the expense of purchasing extra, model-specific magazines for the carbine.

Product Code	Description
C5A670	CX4 Magazine Insert for Model 8000 8040
C5A511	CX4 Magazine Insert for 92/96 Series
C5C620	CX4 Magazine Insert for PX4 Series (not .45ACP)
C89210	CX4 Magazine Insert for PX4 Series (not .45ACP)

CX4 RAILS



Beretta CX4 Top Picatinny Rail (E00268)

The Beretta CX4 Picatinny Top Rail is designed of Aluminum and finished with Black Anodizing. Comes with three mounting screws and two Nutplates. Ideal for Scopes, Lights, Lasers, Grips Etc. Super Light Weight. Color: Black



Beretta CX4 Bottom and Side Accessory Rail Kit (E00270)

The Beretta CX4 Bottom and Side Accessory Rail Kit is designed of Black Polymer and comes with four mounting screws. Used with the side rail provided with the CX4 Storm carbine, this kit finishes out the two side rail positions and adds the bottom rail for a vertical grip ? Allows for attachment of any Weaver Mount Assembly ? Ideal for Scopes, Lights, Lasers, Grips Etc. ? Super Light Weight Color: Black

CX4 RAILS

Long Aluminum CX4 Storm Picatinny Side Rail (EU00007)

Retractable forward accessory rail extends out from the fore-end, allowing quick mounting of tactical light or laser unit.

**CX4 Storm Side Accessory Rail Kit (E00269)**

Retractable forward accessory rail extends out from the fore-end, allowing quick mounting of tactical light or laser unit.



CX4 STORM GRIPS

Beretta CX4 Storm Vertical Grip Long (EU00004)

The Beretta CX4 Bi Function Vertical Grip is designed for mounting onto a standard Picatinny or Weaver rail system.

- Allows Natural "Fighting Stance" hold on your Cx4 Storm.
- Waterproof Compartment for Batteries.
- Molded from Reinforced Plastic Composite.
- Super Light Weight
- Color: Black.

**Beretta CX4 Short Grip with Beretta logo (EU00005)**

The Beretta CX4 Vertical Commando Grip is designed for mounting onto a standard Picatinny or Weaver rail system - Allows Natural "Fighting Stance" hold on your Cx4 Storm - Improved Performance in Reaction, "On Target" time and Muzzle Control During Rapid Fire - Molded from Reinforced Plastic Composite - Super Light Weight Color: Black

**Beretta CX4 Vertical/Folding Grip (EU00006)**

The Beretta CX4 Vertical/Folding Grip is designed for mounting onto a standard Picatinny or Weaver rail system.

Allows Natural "Fighting Stance" hold on your Cx4 Storm.
Molded from Reinforced Plastic Composite.
Super Light Weight Color: Black.



CX4 STORM GRIPS



Beretta CX4 Storm Folding Grip, 4 Position (EU00025)

Beretta CX4 Storm 4 Position Folding Steady Grip. The 4 Position Folding Steady Grip Locks at horizontal, vertical, 45° & 135° positions. Beretta Trident Logo. Improved performance during rapid fire. Easy to fit & secure. Fits Picatinny / Weaver Rail. Lightweight Molded from reinforced polymer composite. Length in vertical position: 4.5 inches/11.5cm No gunsmithing required

CX4 STORM ACCESSORIES



CX4 Adjustable Bipod w/ Picatinny Rail (EU00012)

Beretta Trident logo on leg release buttons on Beretta CX4 version. Versatile bipod, mounts onto a Picatinny rail in seconds. Legs can be attached/detached with two swift movements. The 3" Picatinny Rail allows the addition of a foregrip without taking up more space on the handguard. New recessed design allows legs to be mounted higher, giving a lower and more stable center of gravity. Comfortable rubber covers legs allowing a non-slip grip.

- Quick release push button leg extension
- Legs manufactured from stainless steel
- Legs numbered for reference
- No External Springs
- Strong lightweight design
- Redesigned feet provide increased stability



Beretta Cx4 Storm Barrel Shroud 9mm .40S&W .45ACP (EU00029)

Patented Design. – 100% Made in the USA! – The main body is made of 6061-T6 AIRCRAFT GRADE ALUMINUM. – Precision CNC machined from billet. – Lettering is INDEXABLE / ADJUSTABLE in position. Fits on all the Cx4 models. – Weight: 8.2 ounces! – Mil. Spec. Acid Etched (anti-glare) – Mil. Spec. Anodized to give the unit a semi flat finish. – Professionally Laser Engraved. NOTE: These do NOT suppress sound in any way and are 100% legal for the regular civilian to own in all 50 US States.

TIKKA SCOPE MOUNTS

Model	Product Code	Tube Diameter	Length	Finish
Tikka Optilock Base	SI32R916	N/A	Universal	Stainless
Tikka Optilock Base	SI320916	N/A	Universal	Blue
Tikka Ring Mounts	SI322967	1" (40 MM Object max)	M595-695 & T3	Blue
Tikka Ring Mounts	SI32R967	1" (40 MM Object max)	M595-695 & T3	Silver Gray



SI320916

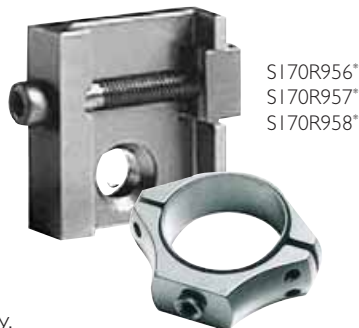
SI320916
SI322967

SI32R967

*Rings are sold separately.

SAKO BASES

Product Code	Model	Color	Action	Version
SI700956	Sako 85 & 75, L461/L691, S491 M591	Blued	I-III Short	Standard
SI700957		Blued	IV-V Long	Standard
SI700958		Blued	IV-V Long	Extended
SI70R956		Stainless Steel	I-III Short	Standard
SI70R957		Stainless Steel	IV-V Long	Standard
SI70R958		Stainless Steel	IV-V Long	Extended

SI700956*
SI700957*
SI700958*SI70R956*
SI70R957*
SI70R958*

*Rings are sold separately.

SAKO RINGS

Model	Product Code	Diameter	Ring Type	Mount Height	Scope Outer Max. Diameter
Sako 85 Sako 75 TRG-S TRG-21 TRG-22 TRG-41 TRG-41	SI300924	1"	1" LO	Low 30.5 mm	63 mm
	SI300961	1"	1" ME	Medium 35.5 mm	73 mm
	SI300925	1"	1" HI	High 40.5 mm	83 mm
	SI300929	30 mm	30 mm LO	Low 32.5 mm	67 mm
	SI300964	30 mm	30 mm ME	Medium 36.5 mm	75 mm
	SI300930	30 mm	30 mm HI	High 40.5 mm	83 mm
	SI30R924	1"	1" LO S/S	Low 30.5 mm	63 mm
	SI30R961	1"	1" ME S/S	Medium 35.5 mm	73 mm
	SI30R929	30 mm	30 mm LO S/S	Low 32.5 mm	67 mm
	SI30R964	30 mm	30 mm ME S/S	Medium 36.5 mm	75 mm
	SI30R923	1"	X-Low	Xtra-Low Stainless 28.5 mm	63 mm
	SI30R928	30 mm	X-Low	Xtra-Low Stainless 30.5 mm	75 mm
	SI300923	1"	X-Low	Xtra-Low 28.5 mm	63 mm
	SI300928	30 mm	X-Low	Xtra-Low 30.5 mm	67 mm



SI300924*
SI300961*
SI300925*
SI300929*
SI300964*
SI300930*
SI30R923*
SI30R928*
SI300923*
SI300928*

*Bases are sold separately.



SI30R924*
SI30R961*
SI30R929*
SI30R964*

QUICK MOUNTS



Model	Product Code	Color	Tube Diameter	Mount Height	Scope Outer Max Diameter
Sako 85 Sako 75	SI900902	Black	25.4/26 mm	Low 30.5 mm	55 / 63 mm
Sako III-V				Med 35.5 mm	65 / 73 mm
Sako L61R Sako L69I	SI900912	Black	30 mm	Low 32.5 mm	59 / 67 mm
Sako M995 Sako TRG-S				Med 36.5	67 / 75 mm

The innovative new design has all the advantages of Sako Optilock scope mounts joined to new practical quick-acting levers. Levers are adjustable, making the removal and remounting of the scope precise and easy. Levers can be adjusted to the desired position.

RING MOUNTS

Model	Product Code	Color	Tube Diameter	Mount Height	Scope Outer Max Diameter
Sako 85 / Sako 75	S1701900	Black	26 mm/1"	27 mm Low	48 / 56 mm
TRG-S	S1701904	Black	30 mm	29 mm Low	52 / 60 mm
Finnfire	S1802912	Black	26 mm/1"	27 mm Low	48 / 56 mm



Optilock ring mounts are precisely machined out of solid steel to ensure perfect mating with our integral receiver tapered scope mount rails and optimal scope alignment. Optilock ring mounts come packed in pairs all tools for assembly included in the box. Ring mounts are available in two diameters and available also made of stainless steel.

SAKO MAGAZINES

Sako 85 Blued

Product Code	Magazine Type	Action	Caliber	Capacity
S5A60385	A	S	22-250	6
S5A60382	B	SM	270 WSM, 7mm WSM, 300 WSM	4
S5A60384	C	S	22-250 Rem, 243 Win, 260 Rem, 7mm-08 Rem, 308 Win, 338 Federal	5
S5A60386	D	M	25-06 Rem, (6.5x55 SE), 270 Win, (7x64), 30-06 Sprg, (9.3x62), (9.3x66 Sako)	5
S5A60387	E	M	370	4
S5A60389	F	L	7mm Rem Mag, 300 Win Mag, 338 Win Mag, 375 H&H	4
S5A60388	G	M	6.5	4

*Sako 85 Stainless*

Product Code	Magazine Type	Action	Caliber	Capacity
S5AR0381	A	XS	204 Ruger, 223 Rem	6
S5AR0384	B	S	22-250 Rem, 243 Win, 260 Rem, 7mm-08 Rem, 308 Win, 338 Federal	5
S5AR0382	C	SM	270 WSM, 7mm WSM, 300 WSM	4
S5AR0386	D	M	25-06 Rem, (6.5x55 SE), 270 Win, (7x64), 30-06 Sprg, (9.3x62), (9.3x66 Sako)	5
S5AR0388	F	M	6.5	4
S5AR0389	G	L	7mm Rem Mag, 300 Win Mag, 338 Win Mag, 375 H&H	4

*Sako 85 Stainless*

Product Code	Magazine Type	Caliber	Capacity
S5C60382	A	Magazine S Action 270 WSM, 300 WSM	3
S5C60384	B	Magazine S Action 308 Win, 7mm-08 Win, 243 Win., 338 Federal	3
S5C60385	C	Magazine S Action 22-250 Rem.	3
S5C60386	D	Magazine M Action 30-06, 25-09, 270 Win.	3
S5C60387	E	Magazine M Action 300 Win. Mag	3
S5C60389	F	Magazine M Action 7mm Rem. Mag	3



SAKO MAGAZINES



Sako Quad

Product Code	Caliber	Capacity
SQM17/22	22WMHR/I7HMR	5
SQM22/I7	22LR/I7M2	5
S5950367	22LR/I7M2	10
S5950369	22WMR/I7HMR	9

TIKKA MAGAZINES

Product Code	Description	Caliber	Capacity	Action
S5850376	Tikka T3 Extended Magazine	223 Rem	6	T3
S5850374	Tikka T3 Extended Magazine	22-250 Rem, 243 Win, 308 Win	5	T3
S5850375	Tikka T3 Extended Magazine	25-06 Rem, 6.5x55 Swed Mauser, 270 Win, 30-06 Sprg, 7mm Rem Mag, 300 Win Mag, 338 Win Mag	5	T3
S5850371	Tikka T3 Flush Magazines	270 WSM, 300 WSM	3	T3
S5850373	Tikka T3 Flush Magazines	25-06 Rem, 6.5x55 Swed Mauser, 270 Win, 30-06 Sprg, 7mm Rem Mag, 300 Win Mag, 338 Win Mag	3	T3
S5850372	Tikka T3 Flush Magazines	22-250 Rem, 243 Win, 308 Win	3	T3
S5850370	Tikka T3 Flush Magazines	223 Rem	4	T3



S5850376
S5850374
S5850375



S5850371
S5850373
S5850372
S5850370

SAKO TRG ACCESSORIES

Sako TRG 22/42 Muzzle Brake (S5740412)

Screw-on flash eliminator/muzzle brake. Asymmetrical construction minimizes sand/dust puffing when shooting.

**Sako TRG 22/42 Bipod (S5740495)**

This bipod lets the rifle "hang" below the hinge-point offering very steady shooting position even with large and heavy scopes on the rifle.

**Sako TRG Magazine, Blued (S574038)**

Sako TRG magazines are available in the following configurations. In order to select the proper magazine, chose your model and caliber from the drop-down box below.

Model	Code	Action	Capacity	Caliber
TRG 22	S5740384	TRG 22	10	308 Win
TRG 42	S5740387	TRG 42	7	300 Win Mag
TRG 42	S5740385	TRG 42	5	338 Lapura Mag

**Sako TRG I.T.R.S. (Integrated Tactical Rail System) Accessory Rail (S150W808)**

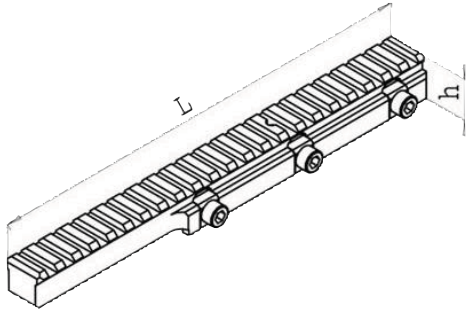
Sako TRG 22/42 I.T.R.S. (Integrated Tactical Rail System) Accessory Rail.

Aluminum construction – attachment platform for the Sako TRG22/42 weapon system. Made up of three MILSTD-1913 Picatinny rails attaches around the rifle barrel. Installing this system allows the use of different tactical accessories.

Standard Picatinny or Weaver mounts can be used. All mounting screws and sling swivel attachment included



SAKO TRG ACCESSORIES



Sako TRG TACTICAL RAIL (S15IW231)

This Sako rail is an accessory Picatinny adapter for Sako TRG, compatible with USA Mil-Std 1913.

By installing this adapter on the top of the Sako TRG action, on the rifle can be used scope mounts built for the Picatinny rail.

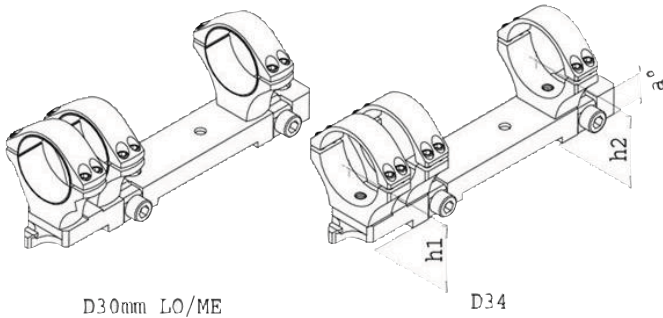
Code	Rail Length (mm)	Rail Height (mm)
S15IW231	225	21



Sako TRG Scope Mount, 3 Ring (S15IF972 / S15IF922 / S15IF917)

Sako TRG scope mount, 30mm Diameter, Medium Height, 38/38 mm, Phosphate finishing.

- Special scope mount to be used with tactical rifle scopes/30 mm tube diameter.
- 3-optilock rings for reliable fastening of heavy, large rifle scopes.
- Can be removed and remounted without change in POI.
- Steel construction, with polymer inner ring collars.
- Surface finish: Phosphatizing.
- Integral front attachment for mirage strap.
- Base with 0.5°/30 MOA forward angle increases maximum scope elevation for long range shooting.



D30mm LO/ME

D34

Code	Ring Type	Tube Diameter (d) mm	Mount Height (h1/h2) mm	Scope Outer Max Diameter (D) mm	Base Angle ° / MOA
S15IF972	34mm	34	36/37	68	0.5°/30
S15IF922	30mm LO	30	33/34	60	0.5°/30
S15IF917	30MM me	30	37/38	70	0.5°/30

SAKO TRG ACCESSORIES

Product Code	Description	Height	Width
S5740327	Sako TRG Quick Detachable Optilock Scope Mounts Medium Height	35.5 mm	1 inch diameter
S5740328	Sako TRG Quick Detachable Optilock Scope Mounts Medium Height	36.5 mm	30 mm diameter
S5740326	Sako TRG Quick Detachable Optilock Scope Mounts H/L	40.5 mm	1 inch diameter
S5740325	Sako TRG Quick Detachable Optilock Scope Mounts H/L	32.5 mm	30 mm diameter



SAKO TRG Picatinny Rail LOW PROFILE (STRLPP)

This Low Profile SAKO rail is an accessory Picatinny adapter for Sako TRG, compatible with USA Mil-Std 1913. By installing this adapter on the top of the Sako TRG action, on the rifle can be used scope mounts built for the Picatinny rail.



Sako TRG 22/42 Emergency Front Sight (S5740321)

Steel construction. Adjusts for windage and elevation. Adjusting tool and all mounting screws included. Note: This sight will only fit the Sako TRG 22/42 rifles with the phosphatized finish. The barrel on the phosphatized models is machined with a groove to allow for the fitting of the Emergency Front Sight.



Sako TRG 22/42 Emergency Rear Sight (S5740311)

Steel construction. Two position, folding peep aperture. Features recoil stop and mirage strap attachment capabilities. Note: This sight will only fit the Sako TRG 22/42 rifles.



SAKO TRG ACCESSORIES



Sako TRG 22/42 Factory Carrying Sling (209524)

Sako TRG Factory Carrying Sling.



Sako Tactical Shooting Sling (209521)

40mm Black Nylon, Mil-Std Hooks, Adjustable length, Max extension 44".



Sako TRG 22/42 Match Site Mounting Set, Hammerli (S5740336)

Match Site Mounting Set, Hammerli, Includes Mirage Band.



Sako TRG 22/42 Muzzle Thread Protector (S5740405)

Steel construction. Protect your barrel threads at the muzzle when no muzzle break is present.

SAKO TRG ACCESSORIES

Sako TRG 22/42 Cheek piece spacer (S5740394)

10mm, Black. Designed for the TRG 22/42, allows for more precise adjustment of the adjustable cheek piece. Includes one 10mm black spacer and longer fastening screw. **WILL NOT FIT THE FOLDING STOCK MODELS**



Product Code	Description
S584S420	Sako TRG 22/42 Straight Butt Spacer
S584S422	Sako TRG 22/42 Downwards Angled Butt Spacer
S584S421	Sako TRG 22/42 Upwards Angled Butt Spacer



Product Code	Description
STRFSG	Sako TRG 22/42 Folding Rear Stock
S250D66IFM	Sako TRG 22/42 Folding Rear Stock

- Accessory folding rear stock is available for green and tan Sako TRG models.
- Stock is hinged behind the pistol grip and folds to the left side and locks into position.
- Butt plate is adjustable in length and the cheek piece in height.
- Folding stock can be retrofitted to all green and tan Sako TRG models.



GUN CARE PRODUCTS

PAGES 50 – 52

BERETTA



BERETTA

500 YEARS. ONE PASSION.

LONG GUN TOOLS

Beretta Multiple gauges Choke Wrench 12&20 Ga (E00459)

The Beretta Multiple gauges Choke Wrench 12&20 can be used with the below listed mobil chokes:

	12 GAUGE		20 GAUGE	
	Flush	Extended	Flush	Extended
MobilChoke	✓	✓	✓	✓
OptimaChoke®	✓	✗	✗	✗
OptimaChoke® Plus	✓	✗	✗	✗
High Performance	✓	✓	✓	✗



Product Code	Description
E00333	12 Gauge Choke Tube Wrench with Thread Chaser
E00334	20 Gauge Choke Tube Wrench with Thread Chaser

The perfect tool for your Beretta shotgun! This combination choke tube wrench and thread chaser is the perfect way to properly maintain the choke system on your Beretta shotgun. Durable steel body with brass thread chaser and thread protector cap.



Choke Tube Key for 12 Gauge Extended Choke Tubes (C61358)

Choke Tube Key for 12 Gauge Extended Choke Tubes. This tool can be used for the installation/removal of 12 Gauge Optima-Choke, Mobilchoke Hunting and Victory extended choke tubes.



Choke Tube Tool for 28 and .410 Gauge Internal Chokes (JC28/410W)



LONG GUN TOOLS

Choke Tube Tool for 12/20 Gauge Internal Chokes



Product Code	Description
JCW12	Choke Tube Tool for 12 Gauge Internal Chokes
JCW20	Choke Tube Tool for 20 Gauge Internal Chokes

PISTOL TOOLS



Sight Adjustment Tool

Product Code	Description	Models
UD6A0027	Sight Adjustment Tool	PX4 Storm and 8000 Series
ZPS92FTOOL	Sight Adjustment Tool	92/96 Series

Designed to push the rear sight and not mar the handgun. Includes instructions.

SPARE KIT PARTS

PAGES 53 – 54

BERETTA



BERETTA

500 YEARS. ONE PASSION.

SPARE KIT PARTS

Code	Description	Parts
EK68617	Kit Spare Parts For Pistols PX4 Storm Series	33
EK68615	Kit Spare Parts For Pistols 92 Series	27
EK68612	Kit Spare Parts For Over & Under Shotguns	27
EK39112	Kit Spare Parts For Semi Auto from A301 to AL391	49





BERETTA

17601 Beretta Drive
Accokeek, MD 20607
800-BERETTA (800-237-3882)
www.berettausa.com

BERETTA GALLERY

www.berettagallery.com

NEW YORK

718 Madison Avenue
New York, NY 10065 USA
Tel. 212 319 3235
Fax 212 888 0653

DALLAS

41 Highland Park Village
Dallas, TX 75205 USA
Tel. 214 559 9800
Fax 214 559 9805

BUENOS AIRES

Arenales 1654 / 56
1061 Capital Federal
Buenos Aires, Argentina
Tel. +54 114 8139 258
Fax +54 114 8166 828

PARIS

57, Rue Pierre Charon
75008 Paris, France
Tel. +33 (0) 1 56 88 59 59
Fax +33 (0) 1 56 88 59 60

MILANO

Via Durini, 5
20122 Milano, Italia
Tel. +39 (02) 7602 8325
Fax +39 (02) 7639 4864

LONDON

36, St. James's Street
London, SW1A 1JD, UK
Tel. +44 (0) 207 408 4411
Fax +44 (0) 207 491 8772