



2012 Florida Accessibility Code for Building Construction

HISTORY

ANSI A117.1

ABA – Architectural Barriers Act

ADA – Americans with Disabilities Act

- 2004 ADA/ABA Guidelines
- 2010 ADA Standards

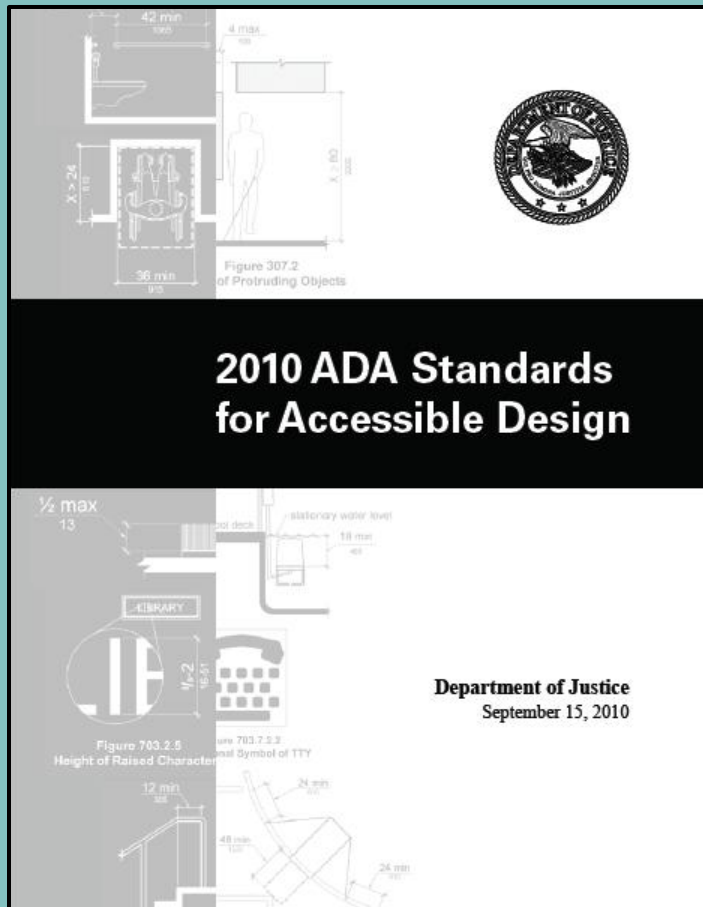
2010 ADA Standards - DOJ

Title II – State & Local Government

- The 2010 Standards for State and local governments, which consist of the Title II regulations at 28 CFR 35.151 and the 2004 ADAAG at 36 CFR part 1191, appendices B and D;

Title III – Public Accommodations & Commercial Facilities

- The 2010 Standards for public accommodations and commercial facilities, which consist of the Title III regulations at 28 CFR part 36, subpart D, and the 2004 ADAAG at 36 CFR part 1191, appendices B and D.



ADA and ABA 2004

(US Access Board)

2010 ADA Standards

(DOJ)

	<u>Effective Date</u>
Postal Facilities	Oct. 1, 2005
GSA Facilities	May 8, 2006
DOT	November 29, 2006
DOD	October 31, 2008
HUD	Not decided
DOJ	September 15, 2010
IBC 2006/2009	included as ANSI 117.1
Florida	March 15, 2012

■ What does this mean for Existing Buildings?

Barrier Removal of Existing Facilities

- Update must be done if “readily achievable” to the maximum feasible.
- Legal obligation rests with both the tenant and the landlord.

Safe Harbor

- You are ok if already compliant with elements from 1991 Standards. (This is an element by element comparison. If there are additional rules, you must comply.)

Employee Work Areas

- Defined as all or any portion of a space used solely by employees and used only for work, this is not required to be accessible.
- Toilet rooms, corridors, kitchenettes and break rooms are not employee work areas so they must comply.
- Accessibility is only required to enter, approach and exit employee work areas
- Employees with disabilities are entitled to reasonable accommodations.

■ Exiting Building cont.

- You do not need to upgrade to 2010 if you already have built for 1991 Standards on existing elements. **New elements** will have to be accommodated.
- You will still be allowed to do the best you can if there is a hardship.
- Disproportionality: If costs are more than 20% of total to provide accessible path to primary function, than do only what you can.

■ **PRIORITY LIST:**

1. Accessible entrance
2. Accessible route
3. Accessible restroom
4. Telephone
5. Drinking fountains
6. Parking, storage, alarms

Graphic Conventions For Figures

Convention	Description
	dimension showing English units (in inches unless otherwise specified) above the line and SI units (in millimeters unless otherwise specified) below the line
	dimension for small measurements
	dimension showing a range with minimum - maximum
min	minimum
max	maximum
>	greater than
≥	greater than or equal to
<	less than
≤	less than or equal to
	boundary of clear floor space or maneuvering clearance
	centerline
	a permitted element or its extension
	direction of travel or approach
	a wall, floor, ceiling or other element cut in section or plan
	a highlighted element in elevation or plan
	location zone of element, control or feature

Figure 104

■ Building Blocks

- Clear Floor Space
- Toe and Knee Clearances
- Turning Spaces
- Forward Reach
- Side Reach
- Operable Parts



■ Building Blocks

Minimum Clear Floor Space

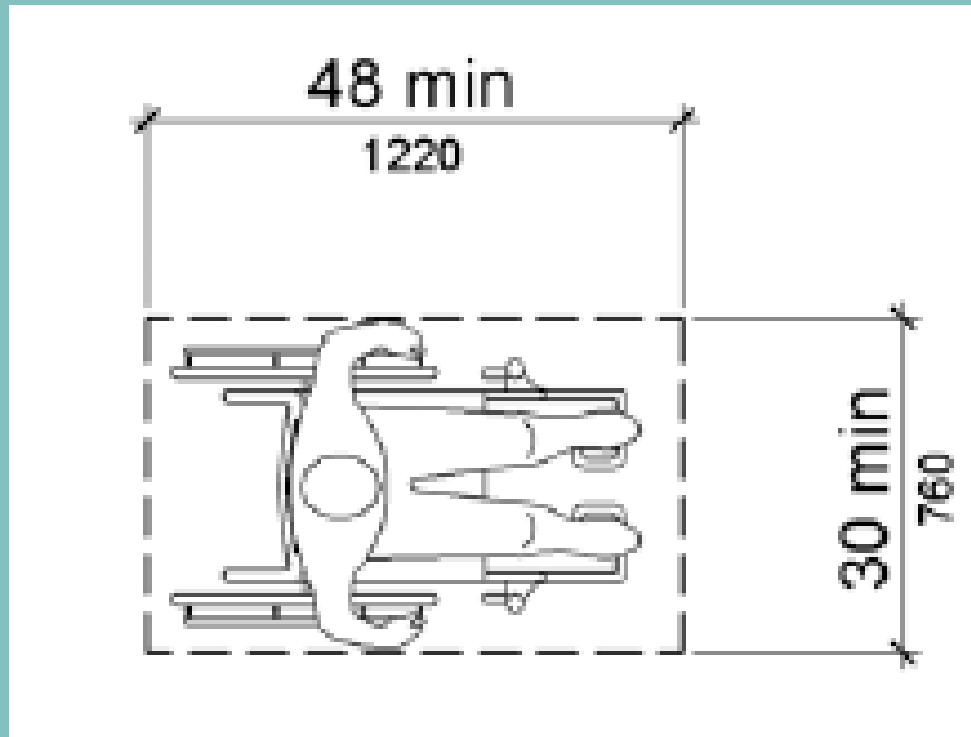
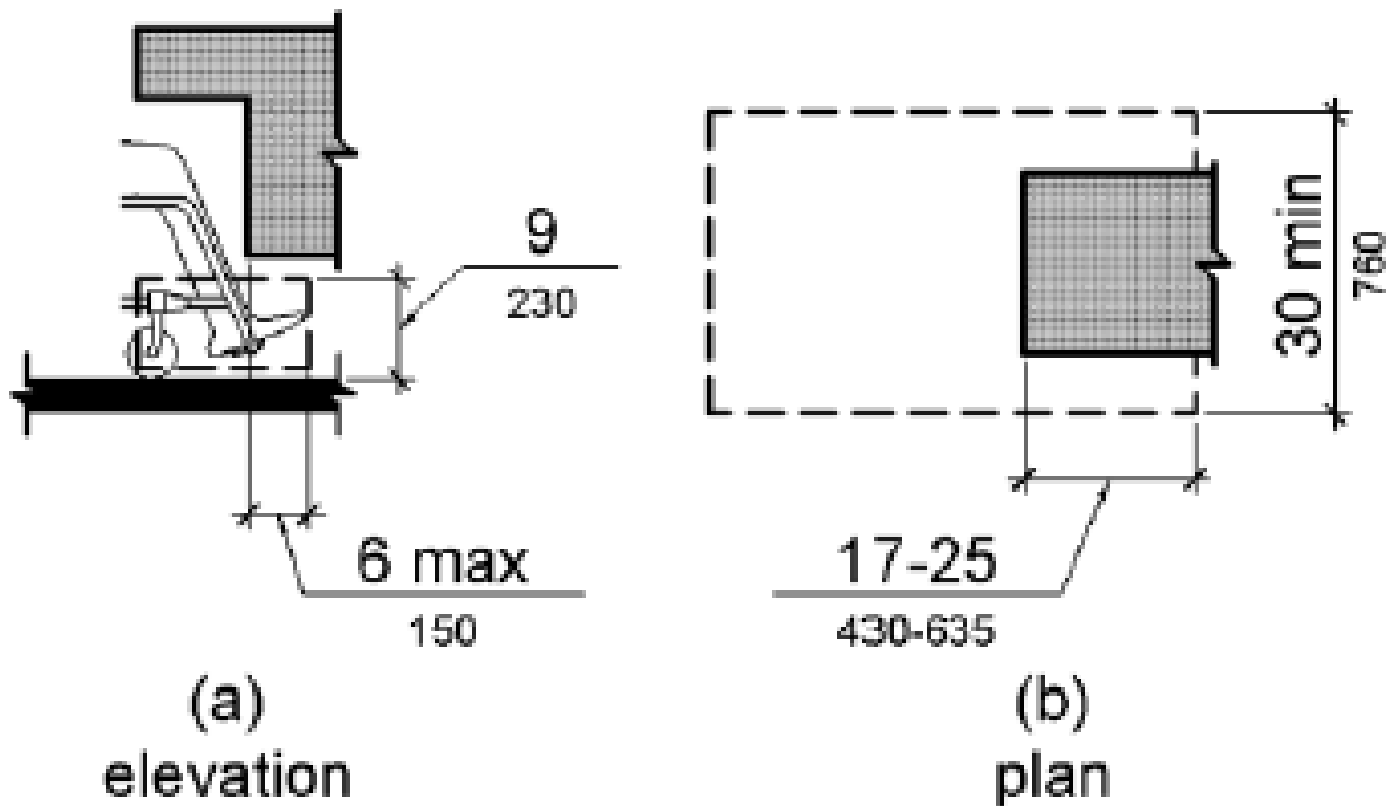


Figure 305.3

Building Blocks

Toe Clearance



Building Blocks

Knee Clearance

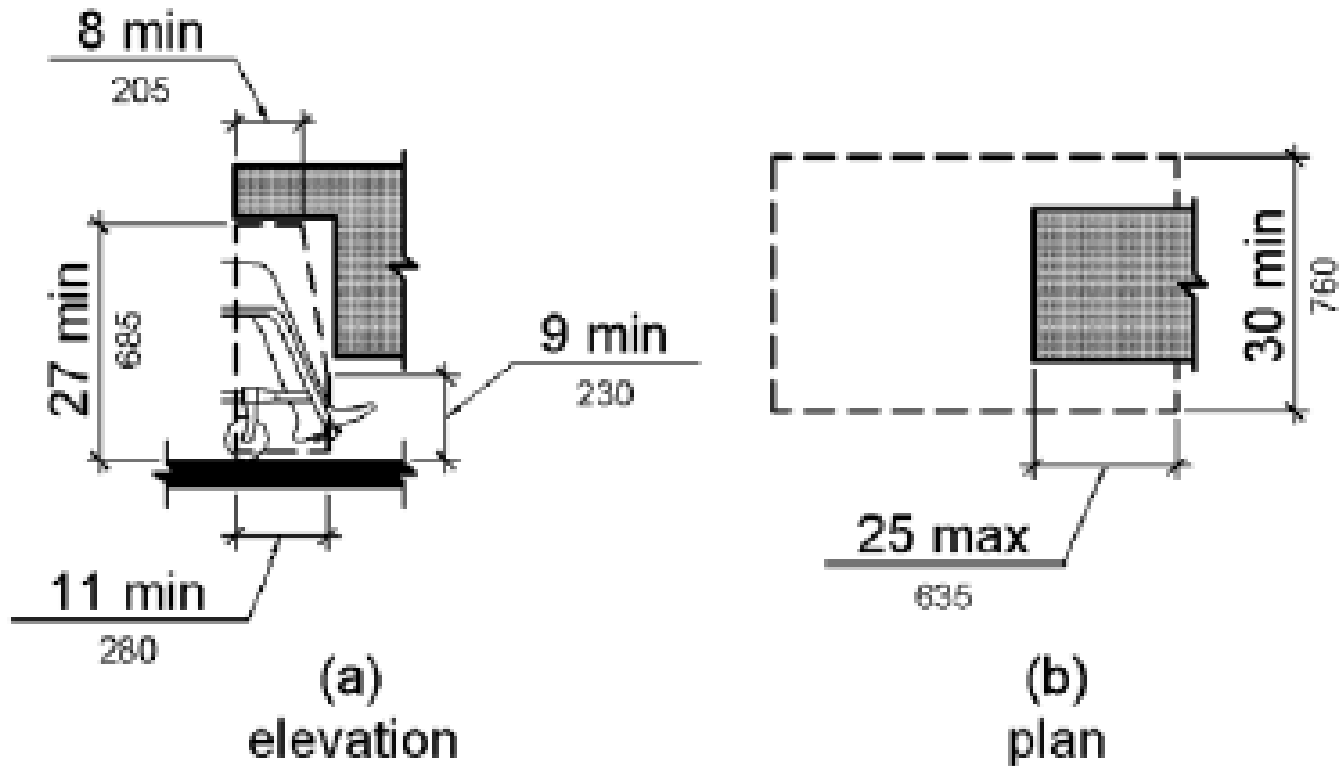


Figure 306.3

Building Blocks

Wheelchair Turning Space

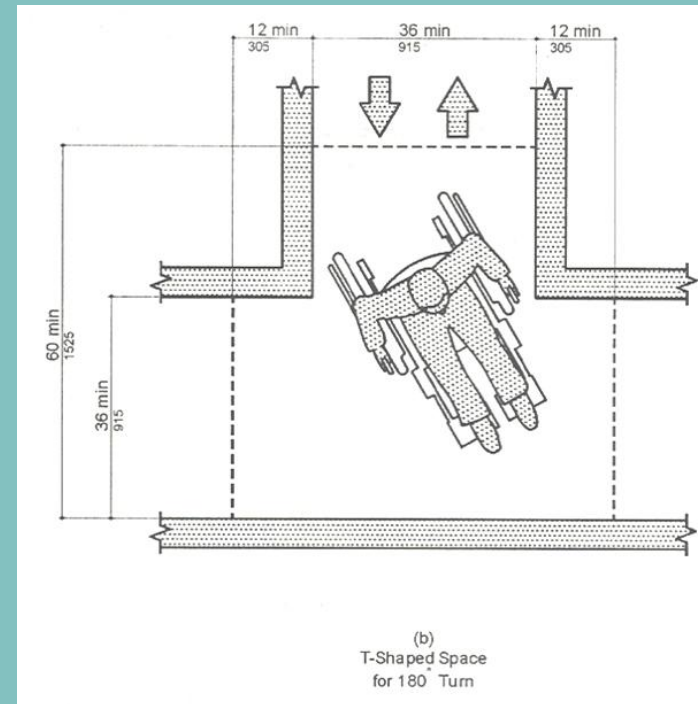
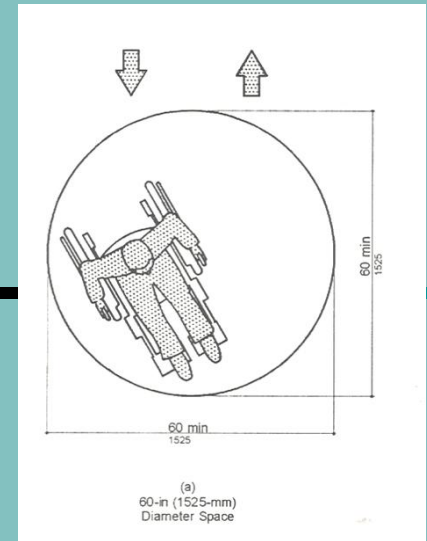
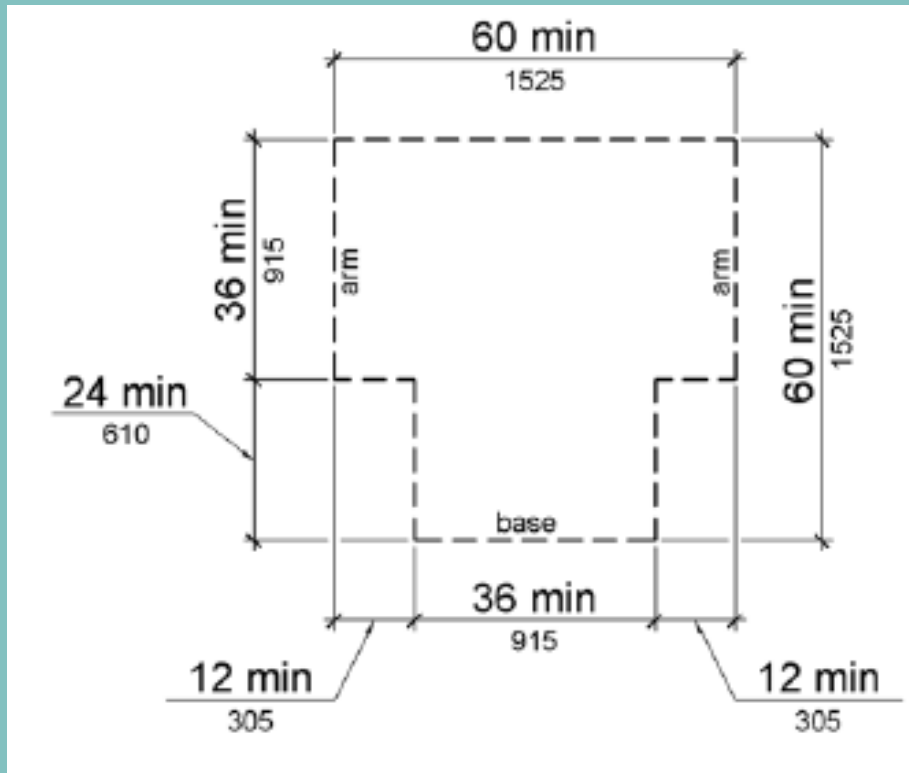


Figure 304.3.2

■ Building Blocks

Forward/Parallel Approach

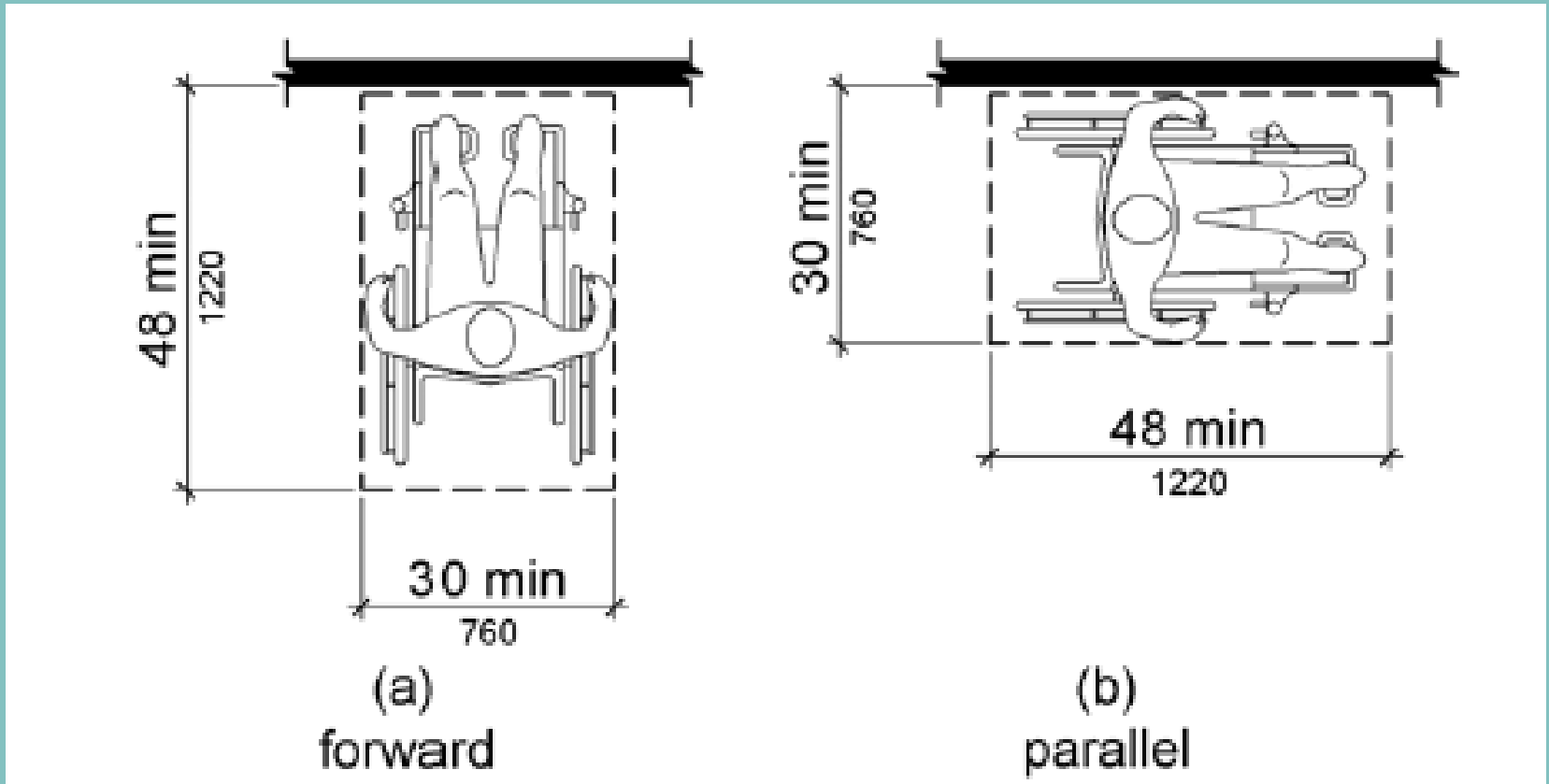


Figure 305.5

■ Building Blocks

Clear Floor Space at Alcoves

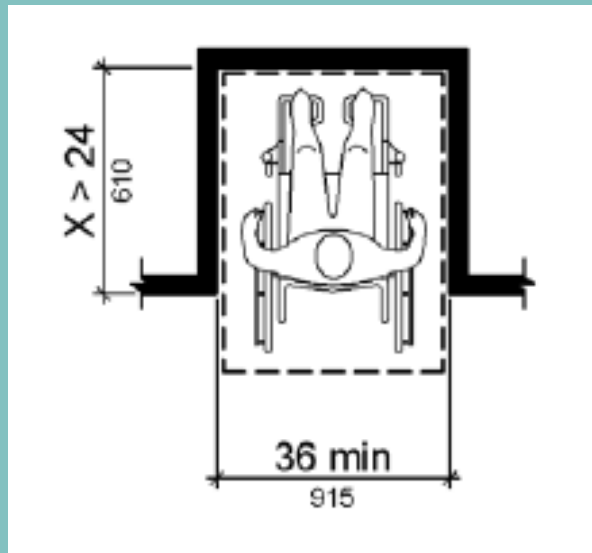


Figure 305.7.1

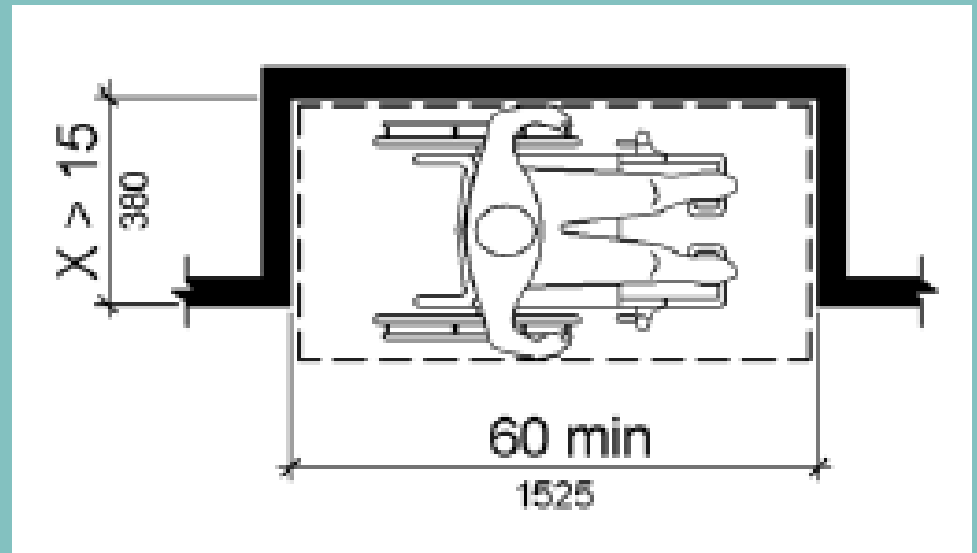


Figure 305.7.2

Building Blocks



Forward Reach

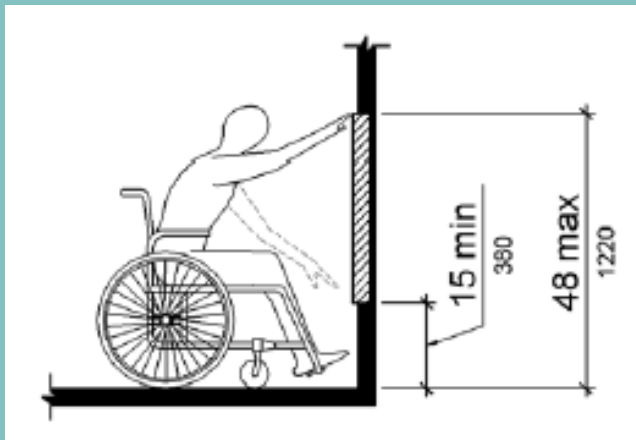


Figure 308.2.1

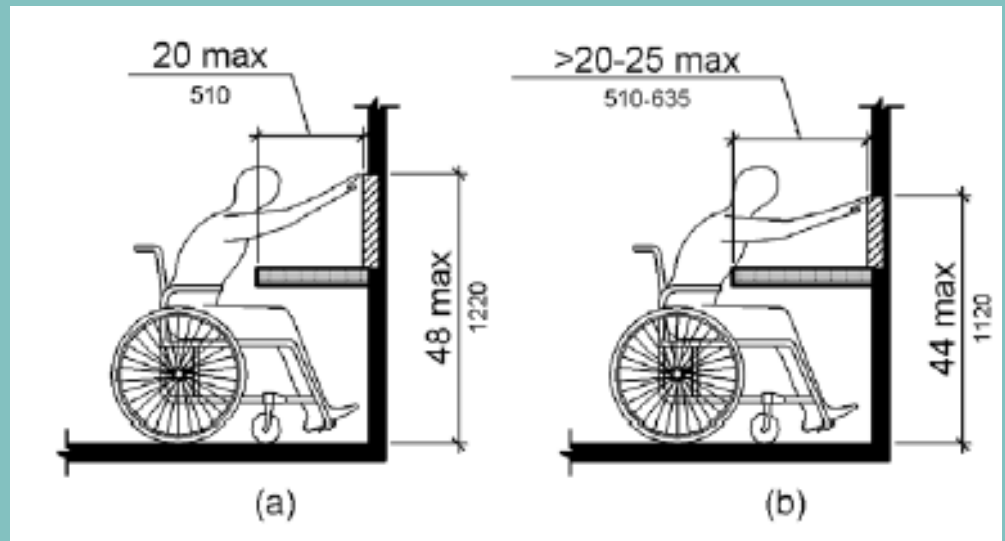


Figure 308.2.2

Building Blocks

Side Reach

NEW

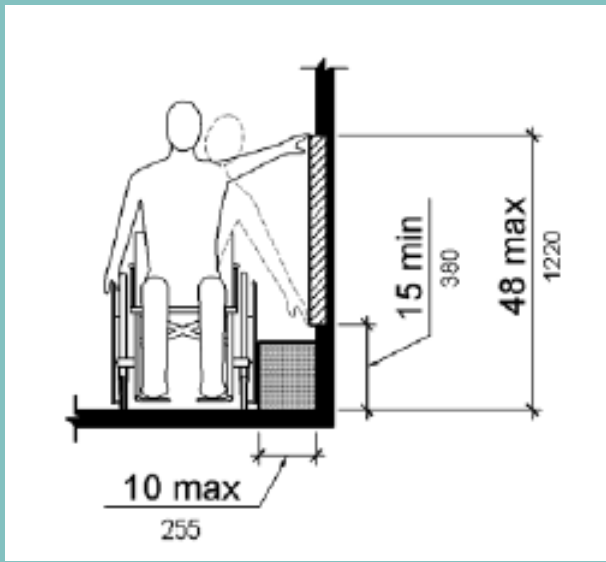


Figure 308.3.1

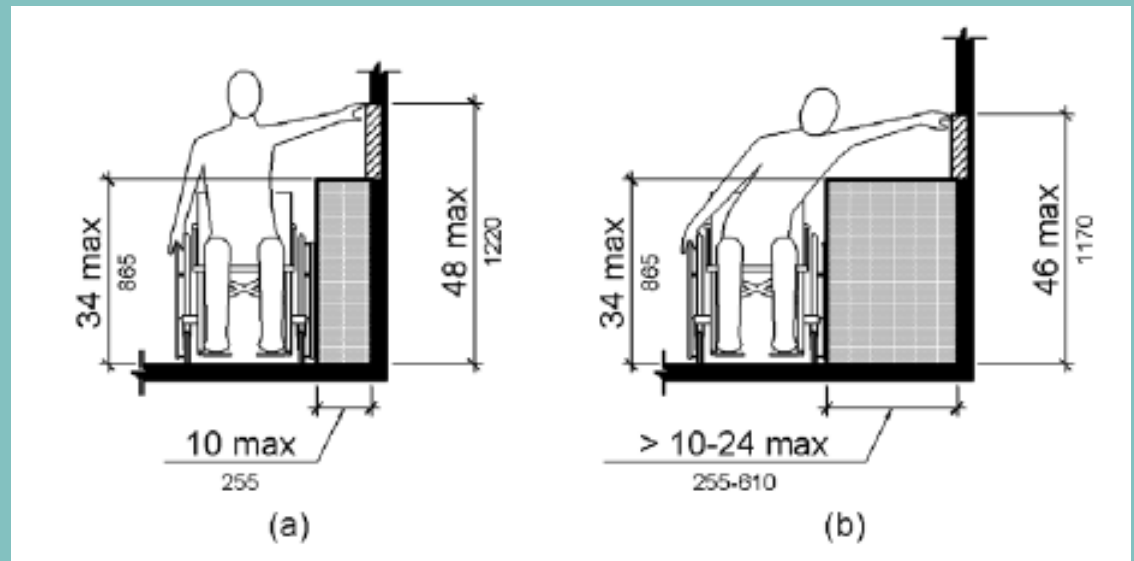


Figure 308.3.2

Building Blocks

Operable Parts

- Clear Floor Space according to 305
- Reach Ranges according to 308
- Controls that require:
 - Only one hand
 - No tight grasping
 - No pinching
 - No twisting of the wrist
- Examples: light switches, circuit breakers, duplex outlets, appliance controls, thermostats, plumbing fixture controls, security and intercom systems



Accessible Route

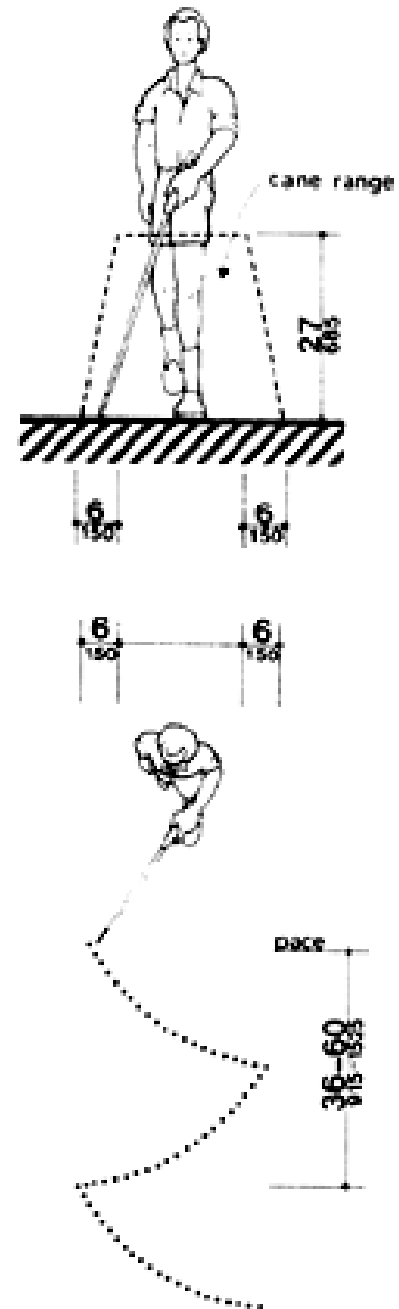
A continuous and unobstructed path connecting all accessible elements and spaces in a building or facility.

Including:

- Corridors/Aisles
- Ramps
- Protruding Objects
- Clear Floor Space at Fixtures
- Raised Platforms
- Doorways
- Elevators/Lifts
- Floors Surface

Exception: employee work areas less than 1000 sq. ft. with permanent walls

The New ADA Guidelines by Donna Kirby, FASID



Accessible Route

Clear Width

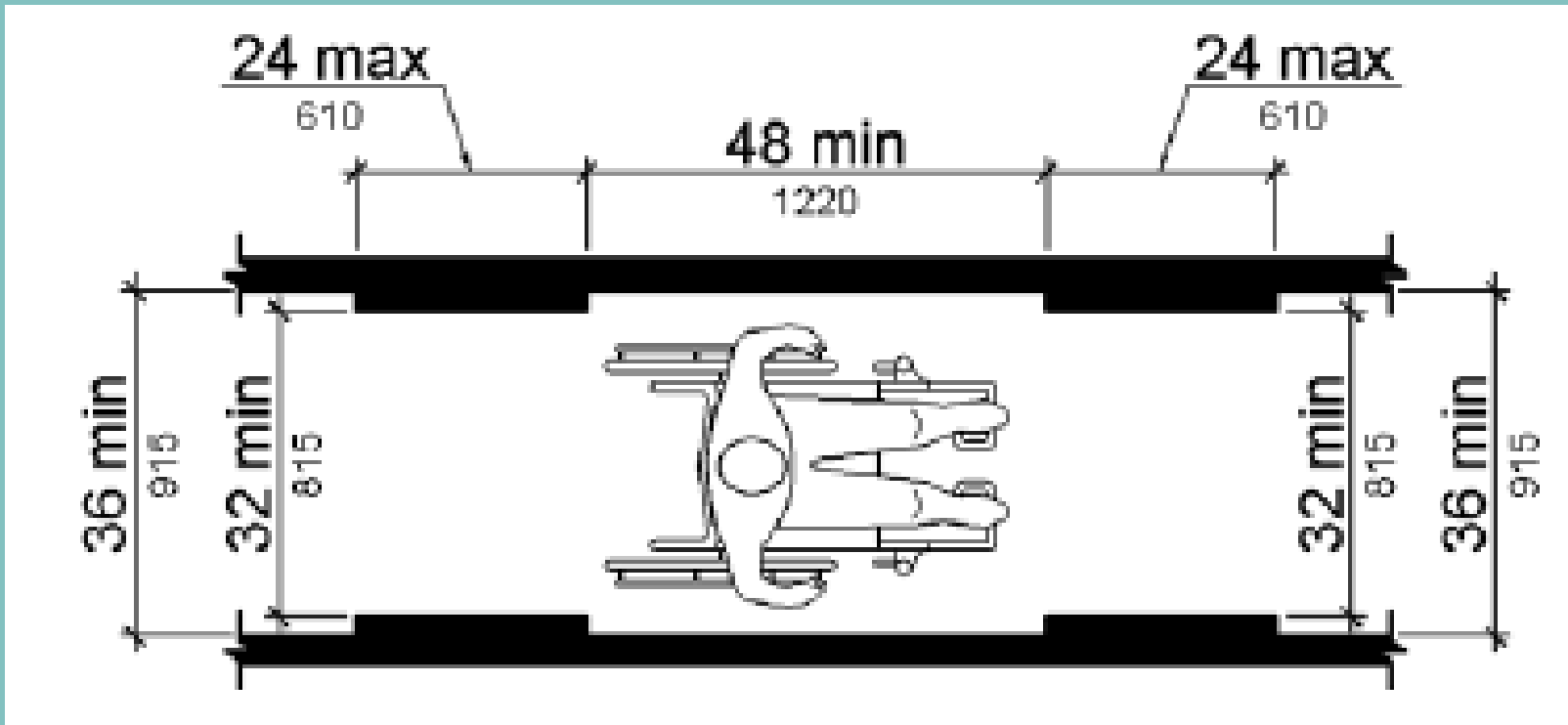
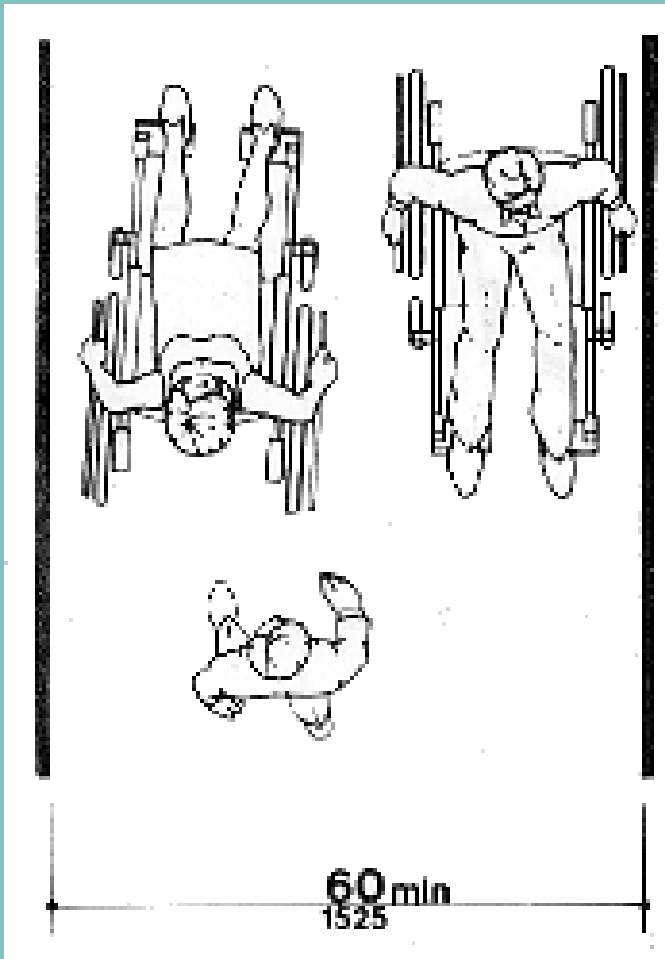


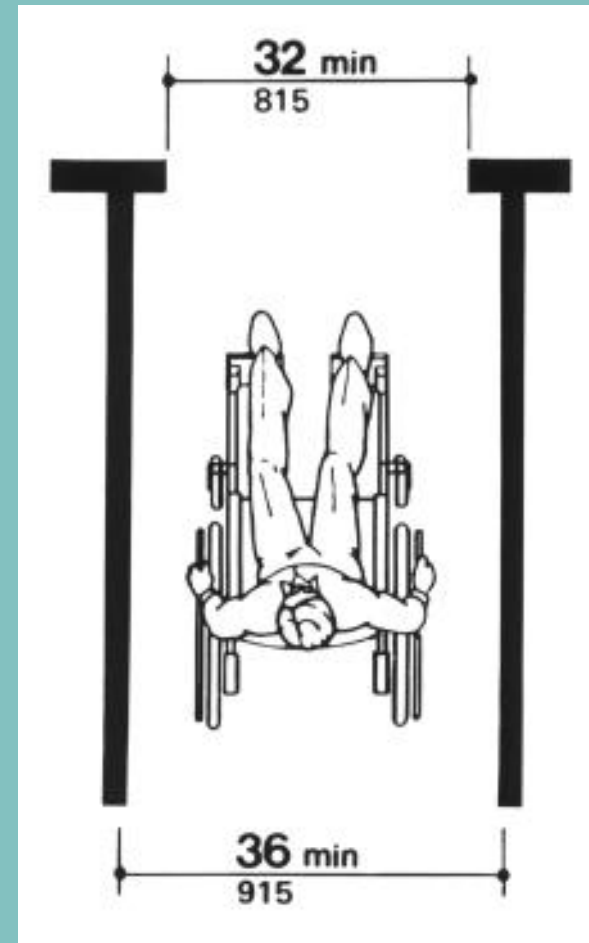
Figure 403.5.1

Accessible Route

Passing Width



Clear Doorway Width



Accessible Route

Change in Level

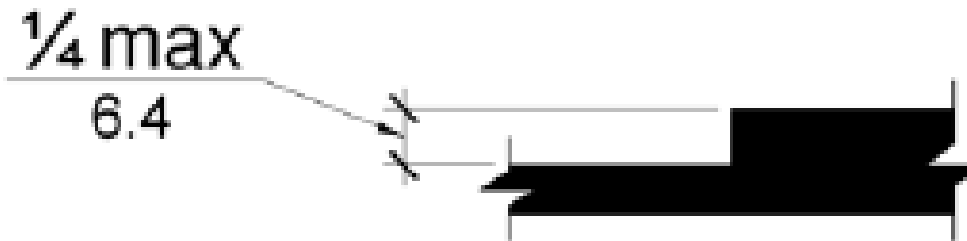


Figure 303.2

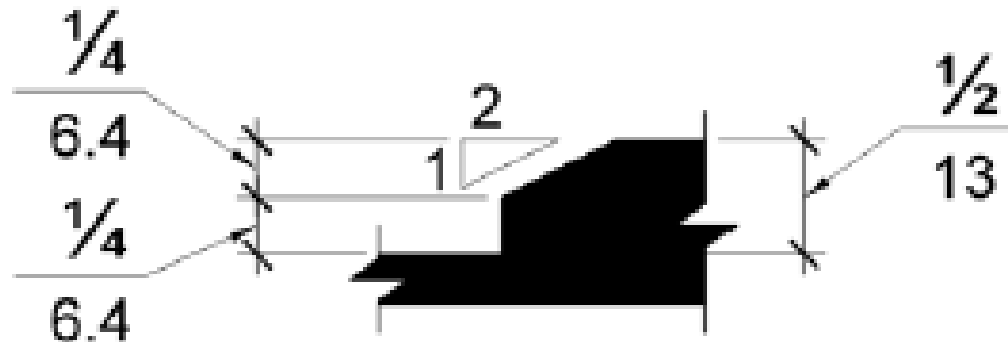
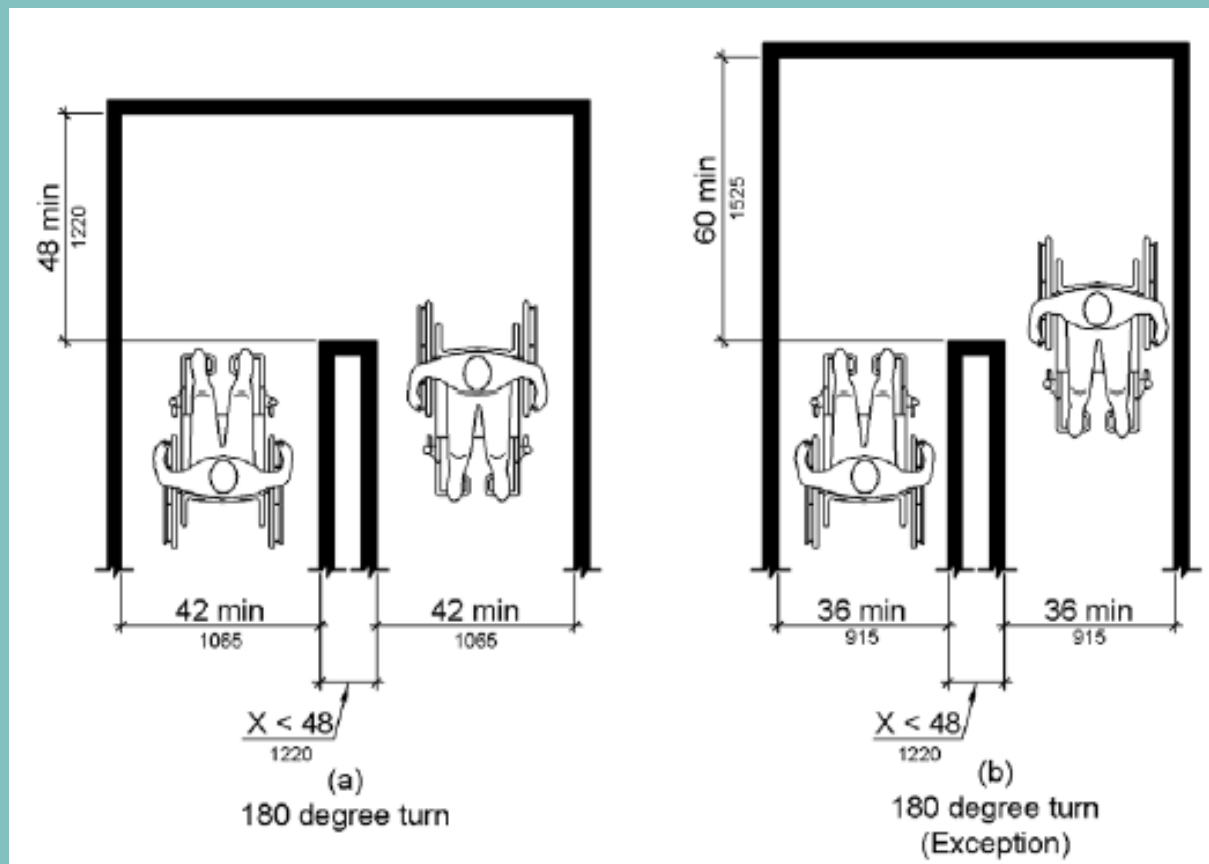


Figure 303.3

Accessible Route

Clear Width at Turns



Turns around an obstruction

Figure 403.5.2

Accessible Route

Protruding Objects & Vertical Clearance

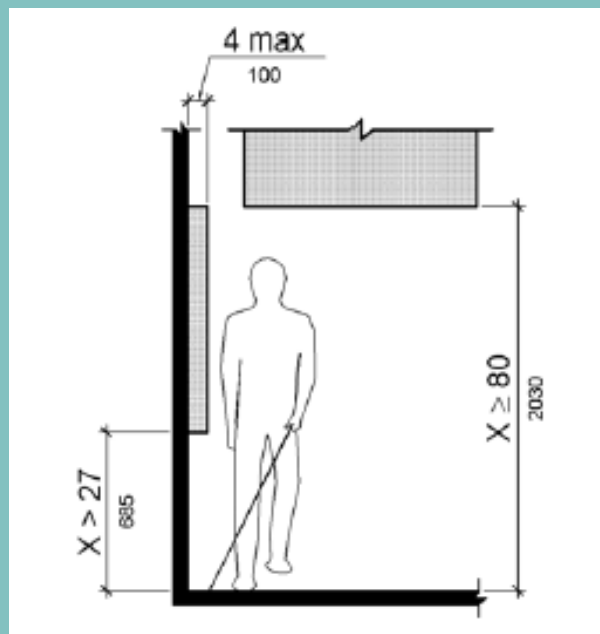


Figure 307.2

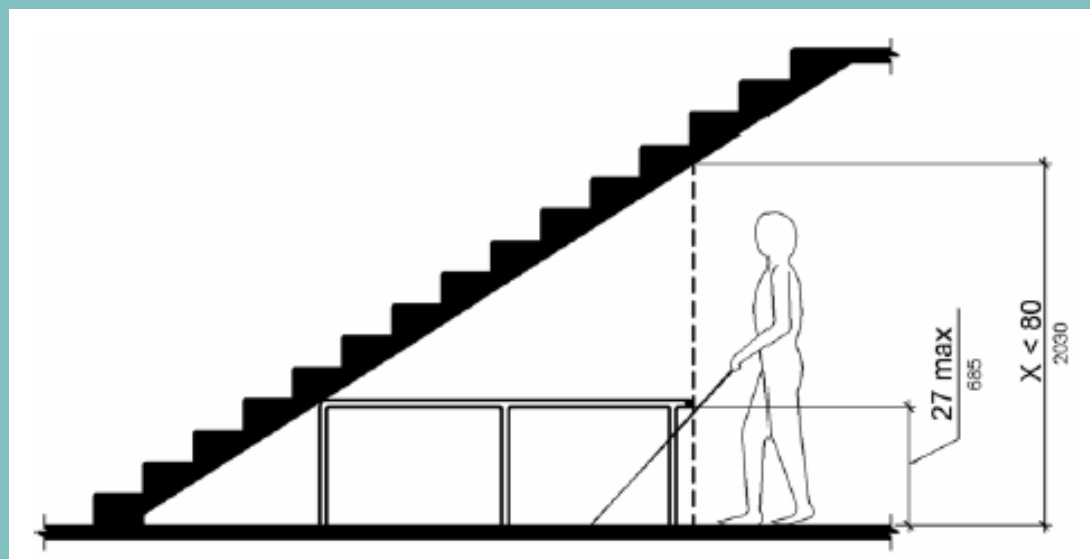


Figure 307.4

Accessible Route

Flooring

Slip resistant

Stable

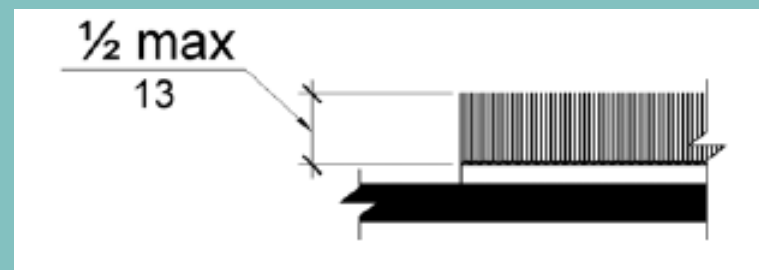
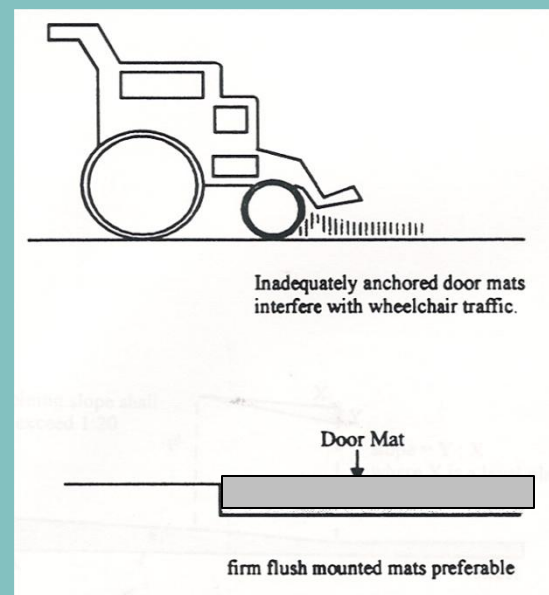
Firm

Carpeting

Firm cushion/ no cushion

1/2" pile max.

Securely attached



Accessible Route

Floor Grates

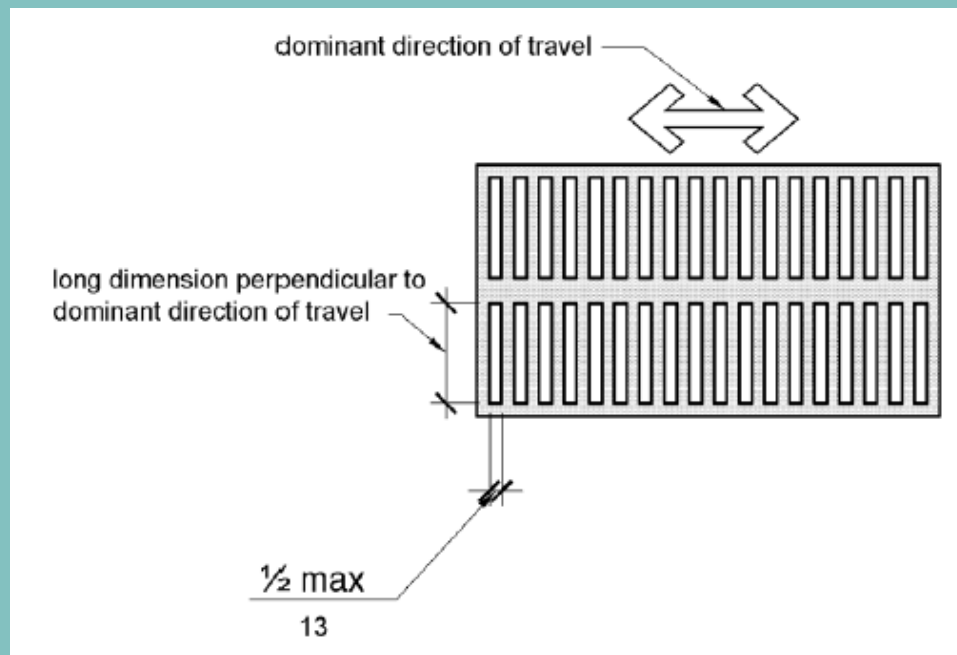
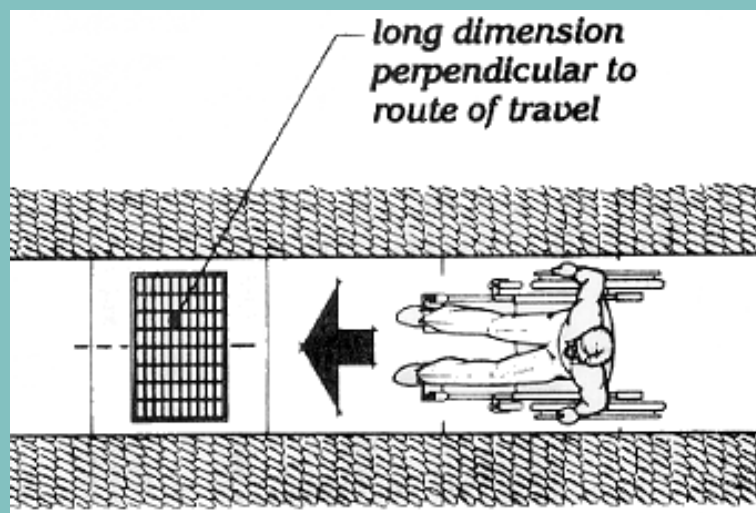


Figure 302.3

Accessible Route

Clear Width and Maneuvering Space at Doorways

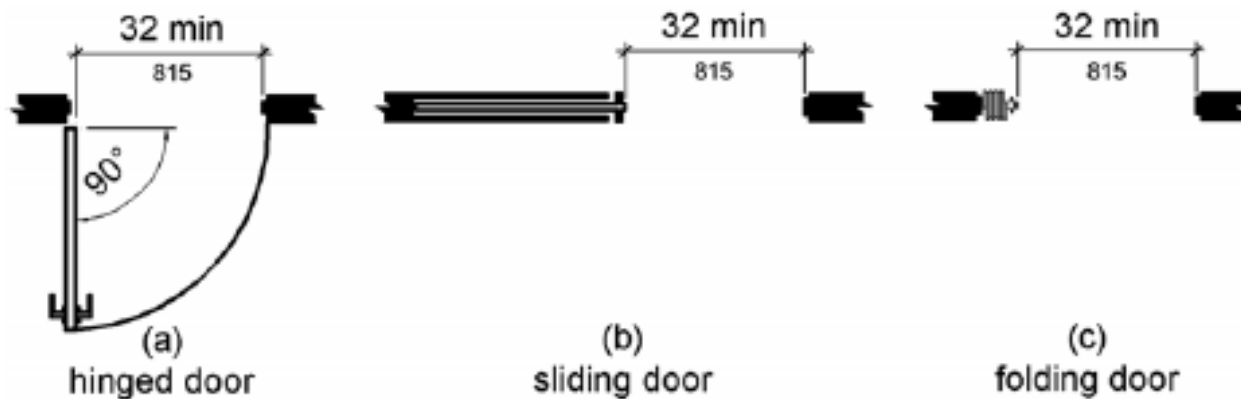
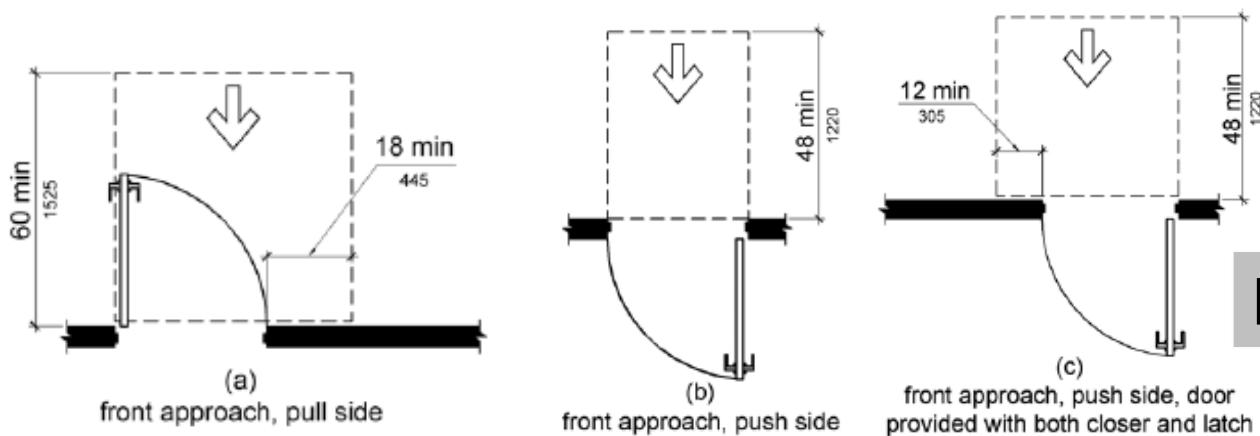


Figure 404.2.3

↓ Direction of approach - Front Approach

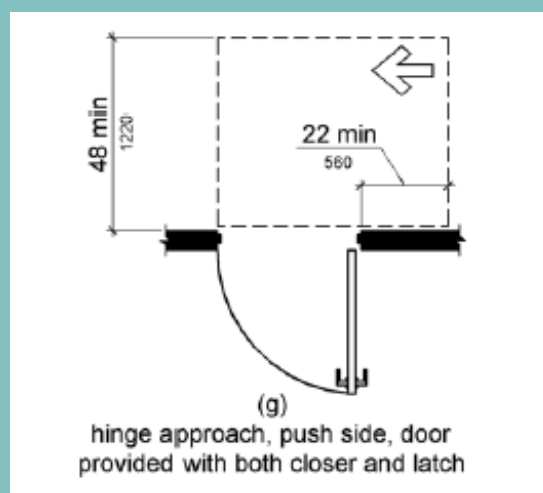
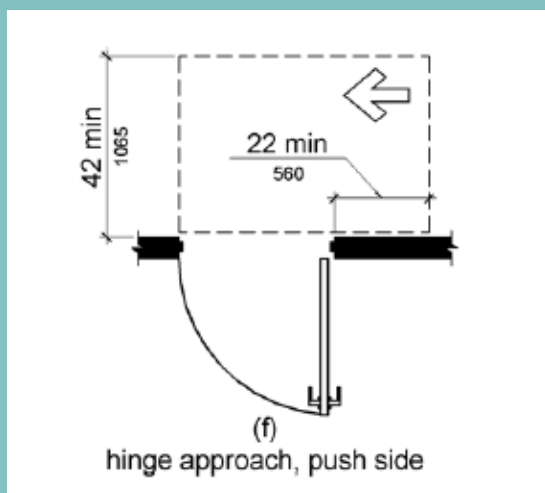
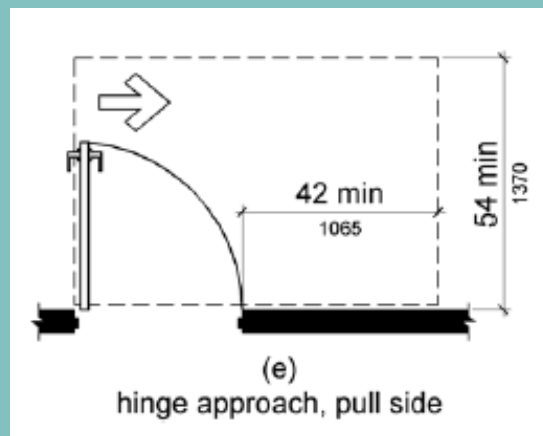
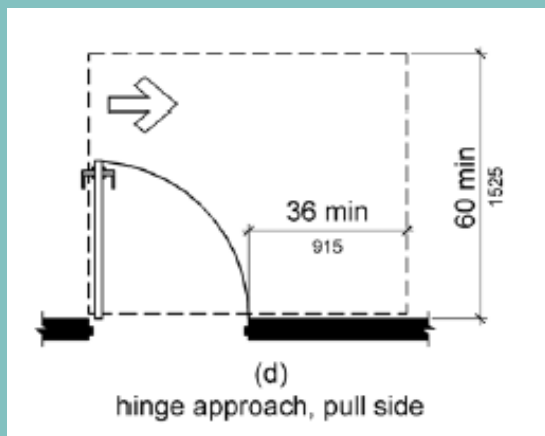


Figures 404.2.4.1

Accessible Route

Maneuvering Space at Doorways

Hinge Approach

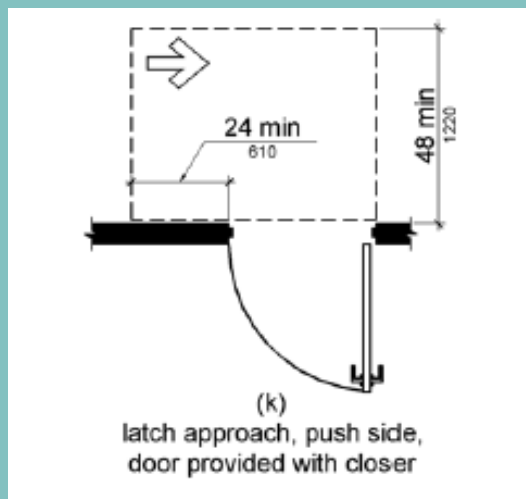
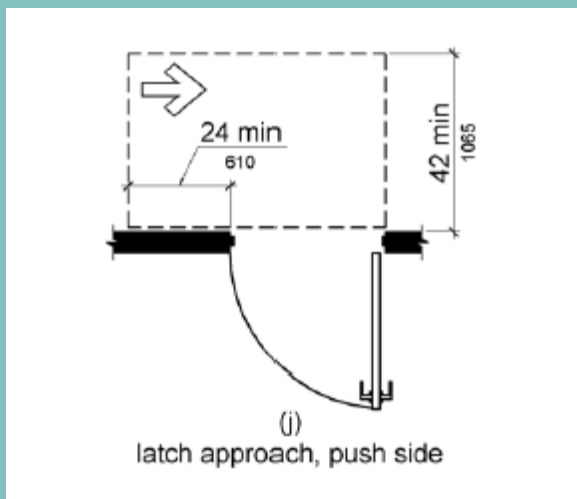
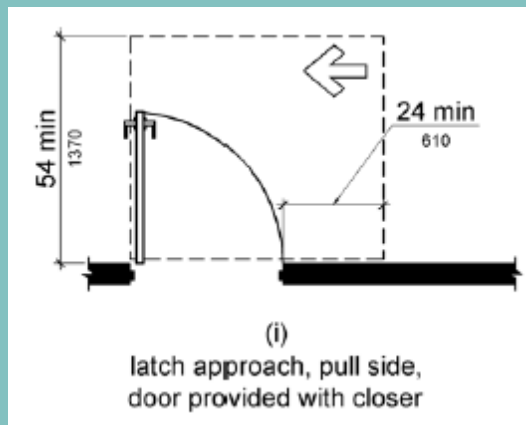
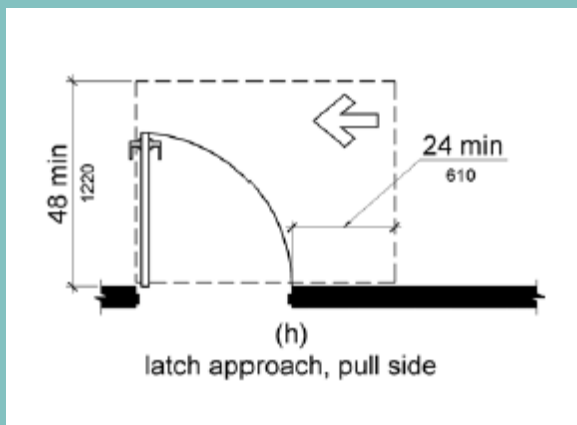


Figures 404.2.4.1

Accessible Route

Maneuvering Space at Doorways

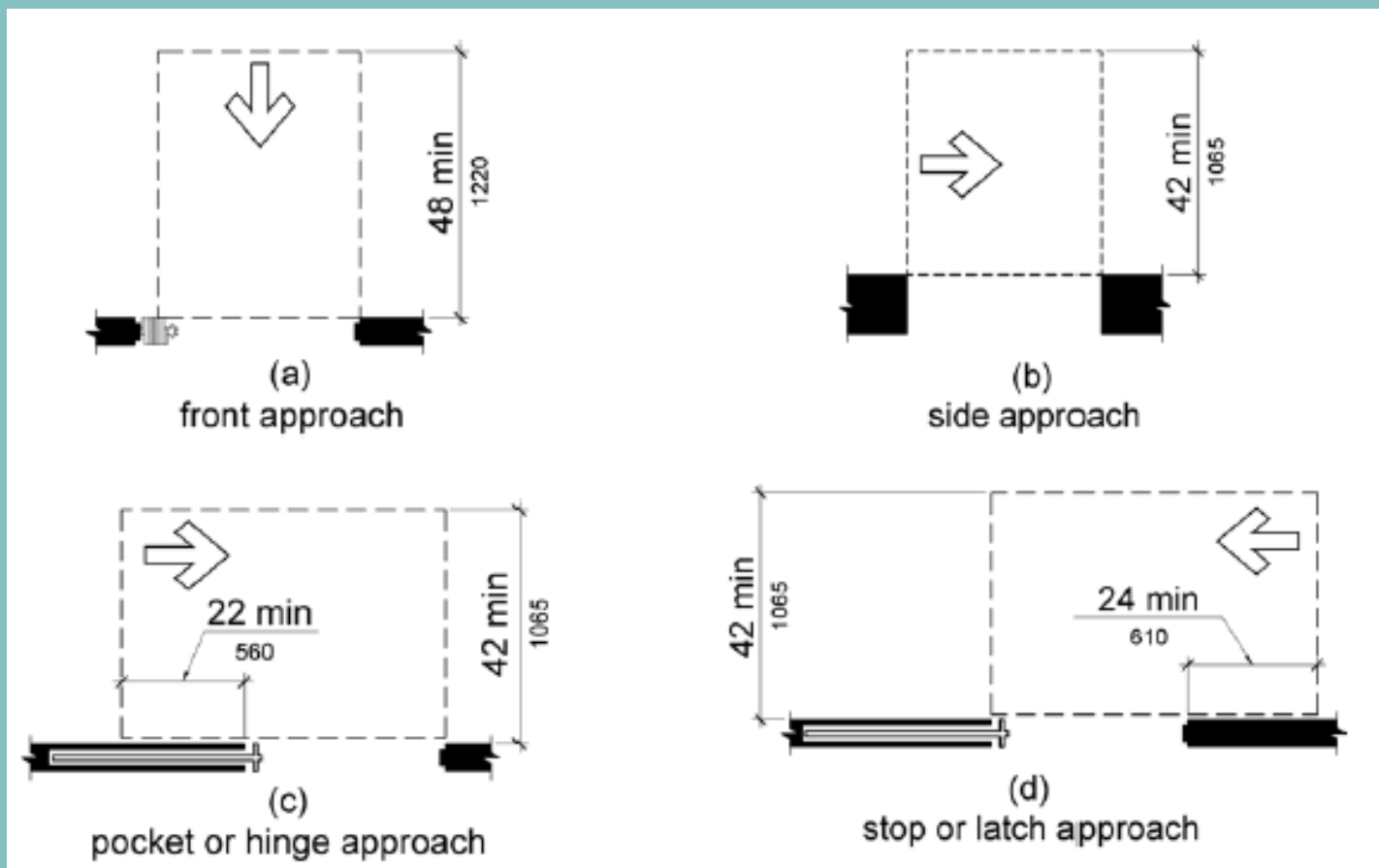
Latch Approach



Figures 404.2.4.1

Accessible Route

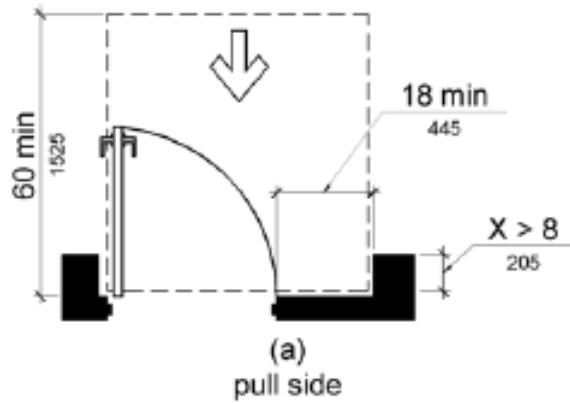
Clearances at Doorways, Sliding Doors & Folding Doors



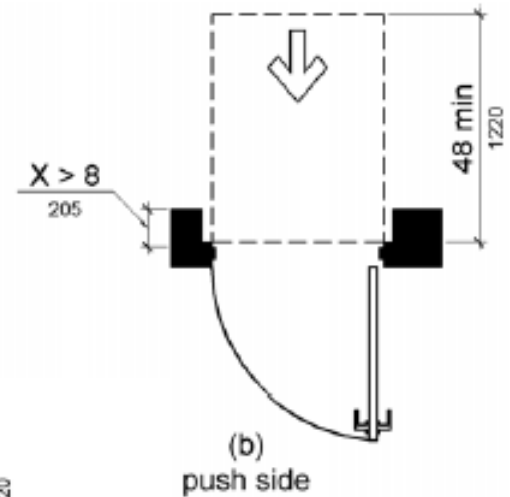
Figures 404.2.4.2

Accessible Route

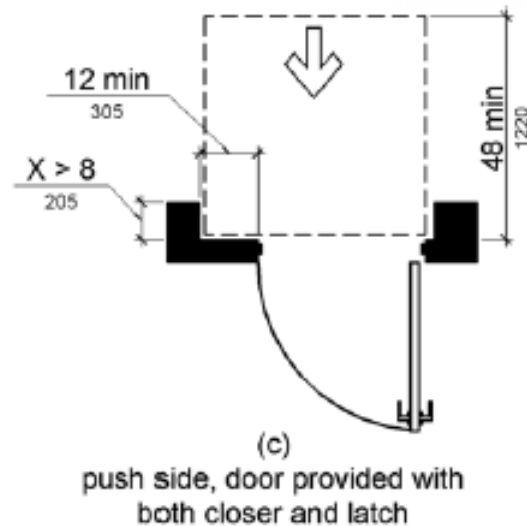
Maneuvering Clearance at Recessed Doors & Gates



(a)
pull side



(b)
push side

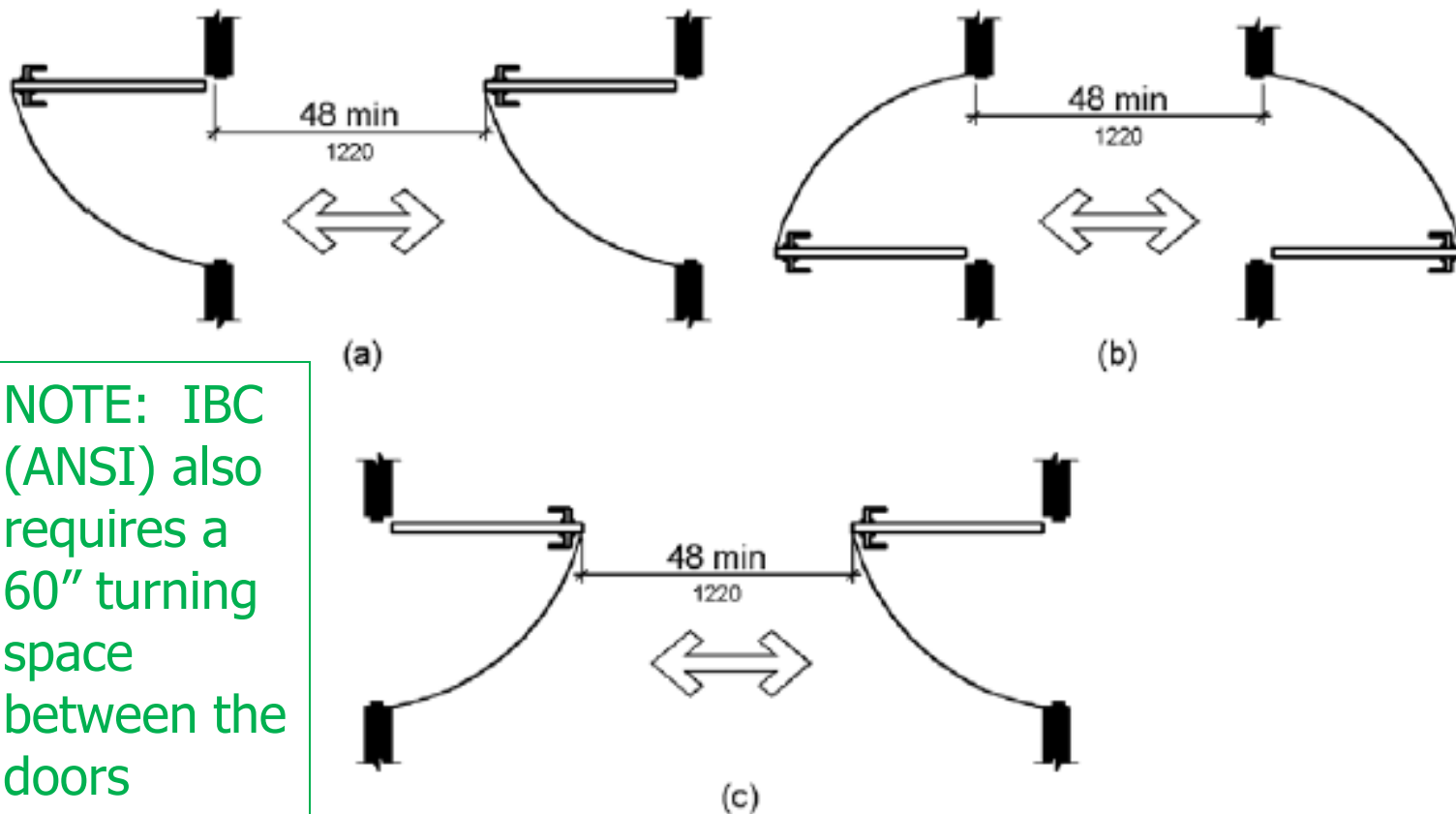


(c)
push side, door provided with
both closer and latch

Figures 404.2.4.3

Accessible Route

Doors or Gates in a Series

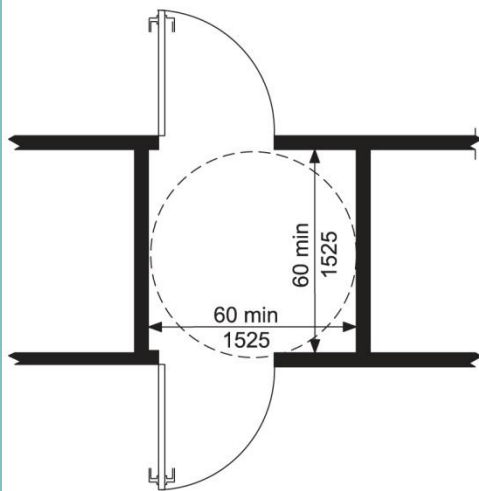


NOTE: IBC (ANSI) also requires a 60" turning space between the doors

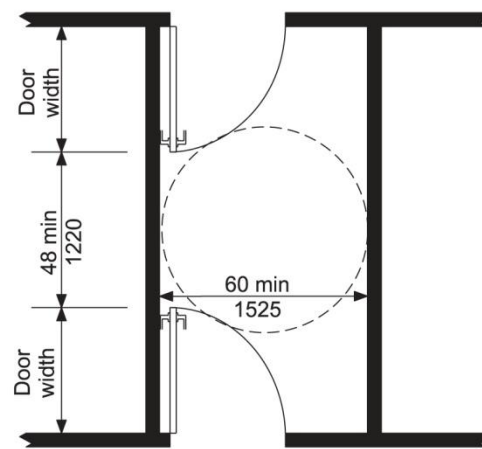
Figures 404.2.6

Accessible Route

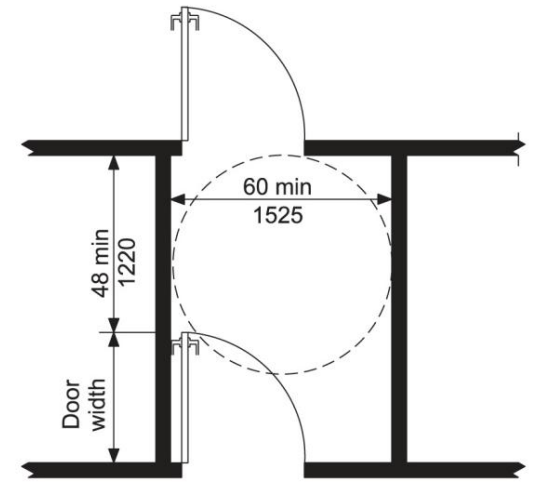
ANSI – Doors in a Series



(a)



(b)



(c)

Fig. 404.2.5
Two Doors in a Series

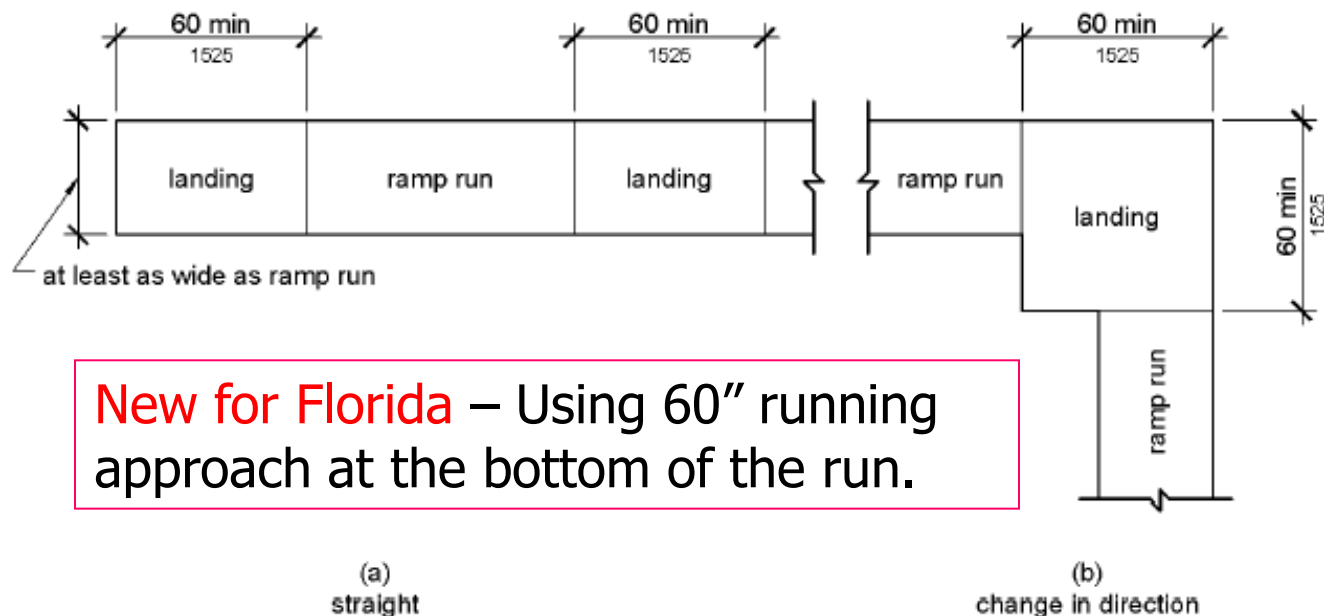
ANSI requires a turning radius between the doors

Accessible Route

Ramps and Landings

Ramp defined - any slope greater than 1:20

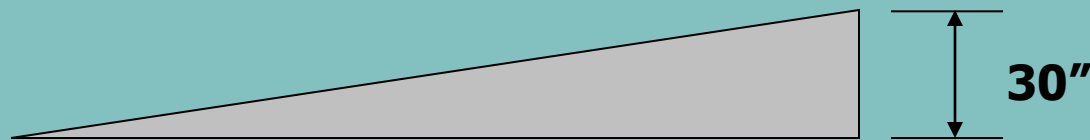
Figure 405.7



New for Florida – Using 60" running approach at the bottom of the run.

**Ramp Rise
1:12 – 1:20**

Maximum rise without an intermittent landing is 30"



Accessible Route

Edge Protection

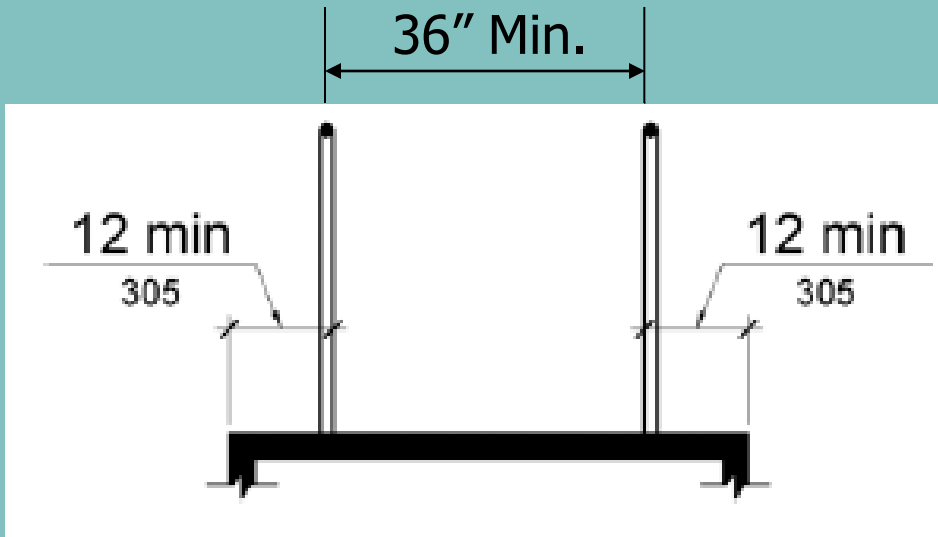


Figure 405.9.1

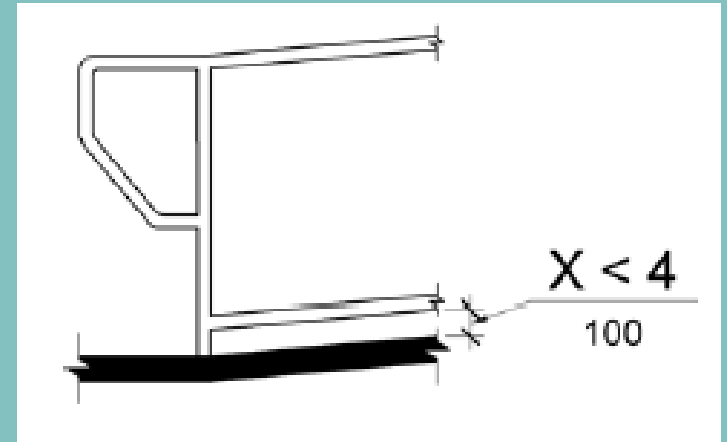


Figure 405.9.2

Handrail extensions at Top & Bottom of Ramps & Stairs

Accessible Route

New for Florida

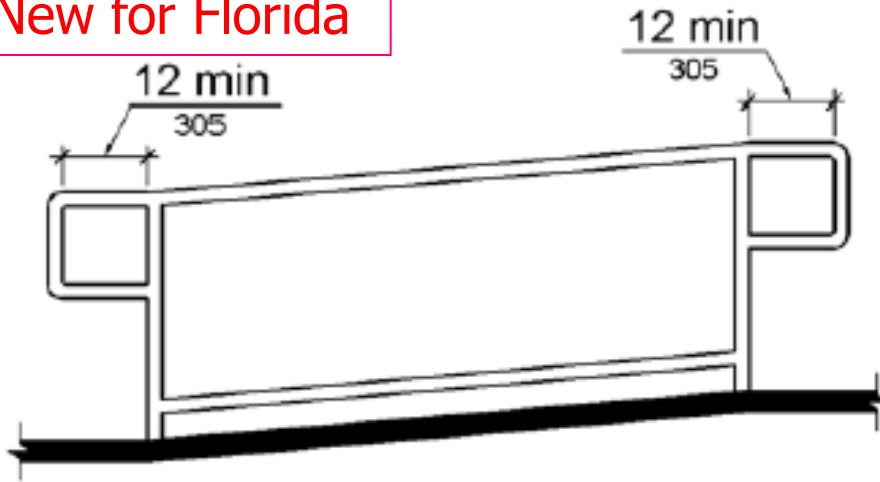


Figure 505.10.1

NEW

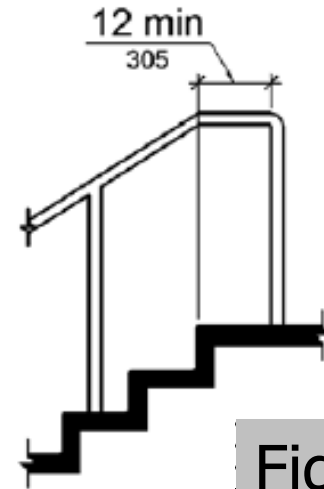
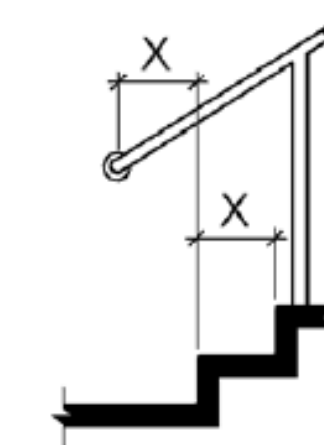


Figure 505.10.2



Note: X = tread depth

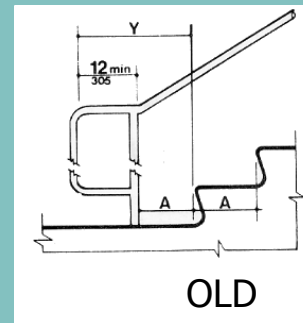


Figure 505.10.3

Accessible Route

Handrail Height

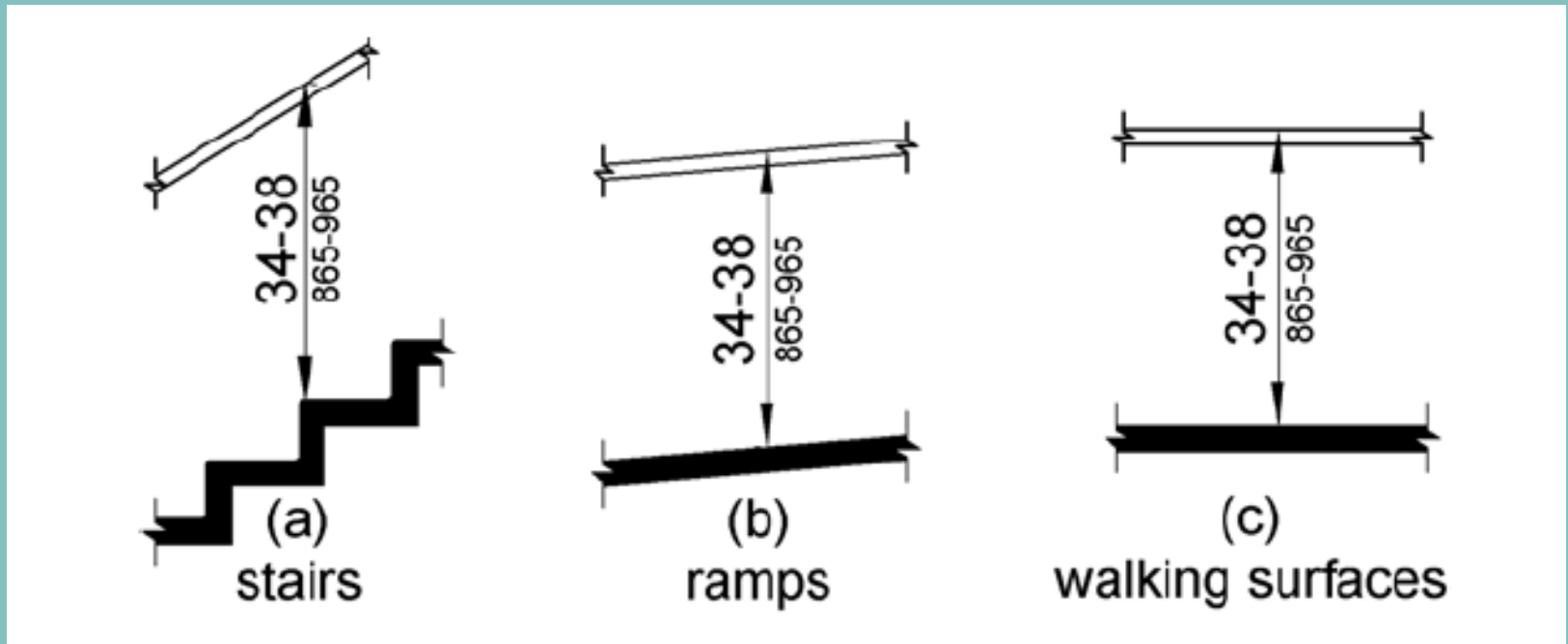
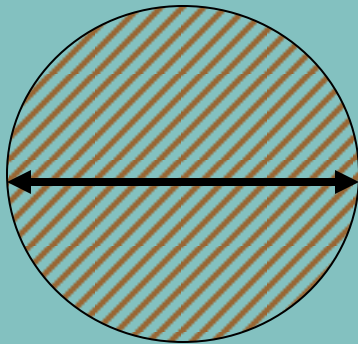


Figure 505.4

Accessible Route

Grab bars and Handrails

NEW



1 1/4" – 2" dia.

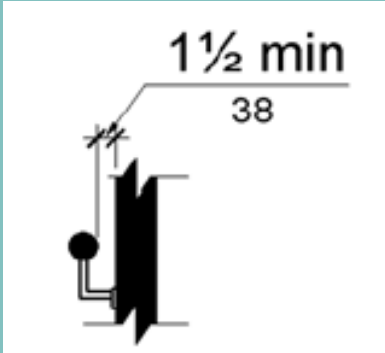


Figure 505.5

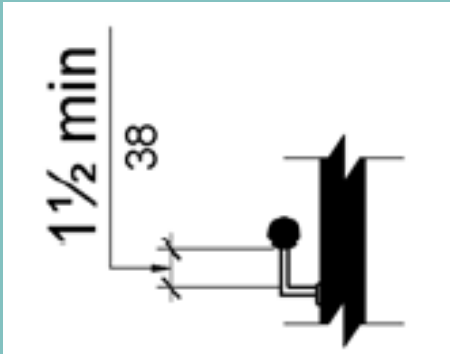


Figure 505.6

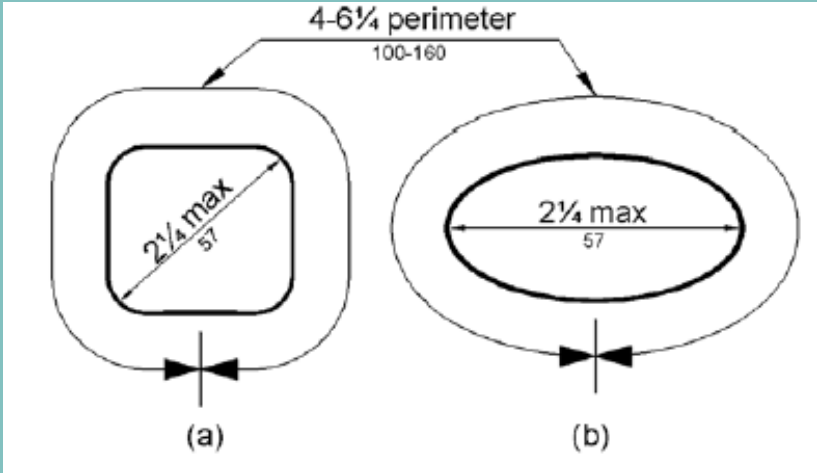
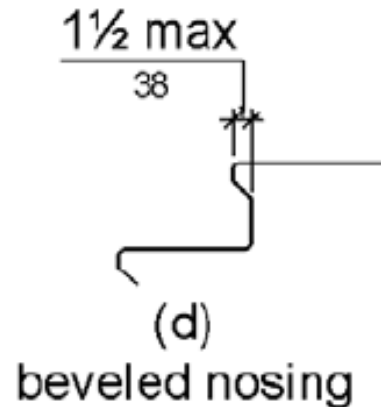
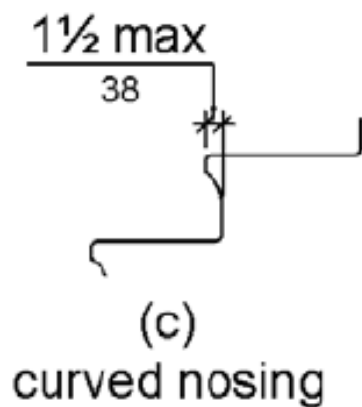
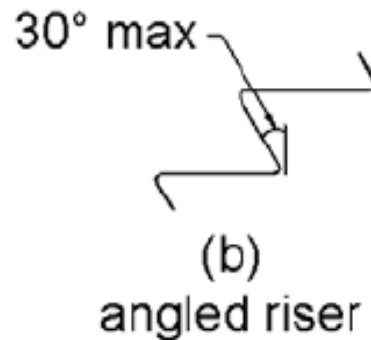
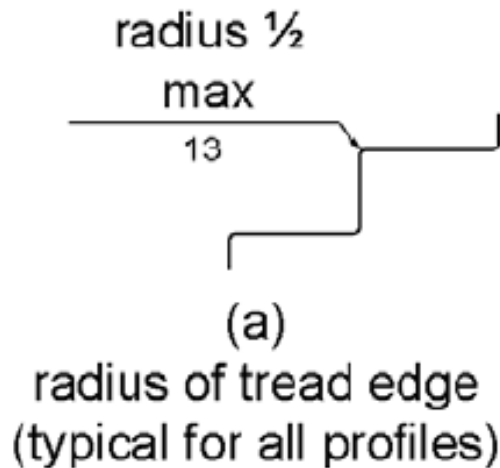


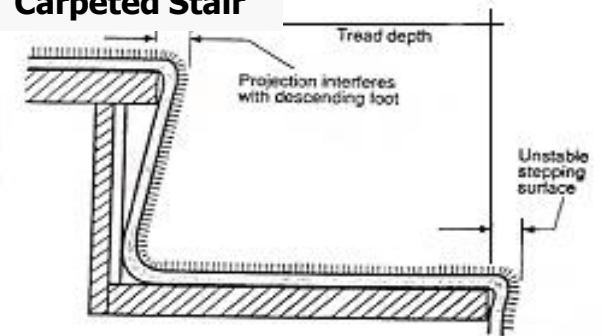
Figure 505.7.2

Building Elements

Stair Nosings



Carpeted Stair



Unstable stepping surface
at leading edge

Figure 504.5

■ Plumbing Elements

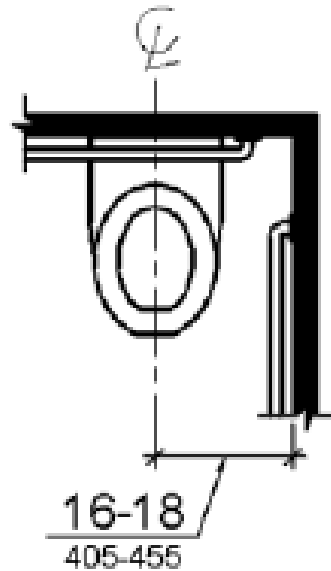
- Drinking Fountains
- Restrooms
- Showers & Tubs
- Grab Bars and Handrails
- Washer/Dryer



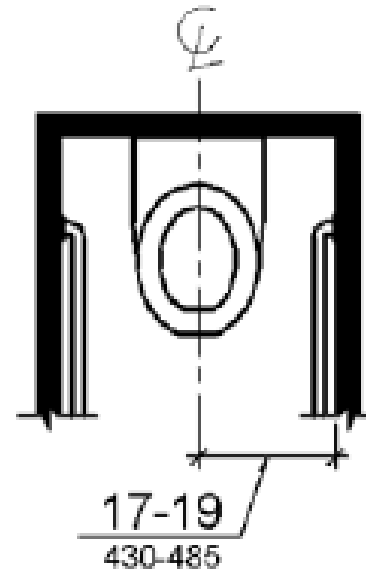
■ Plumbing Elements

Water Closet Location

NEW



(a)
wheelchair
accessible
water closets

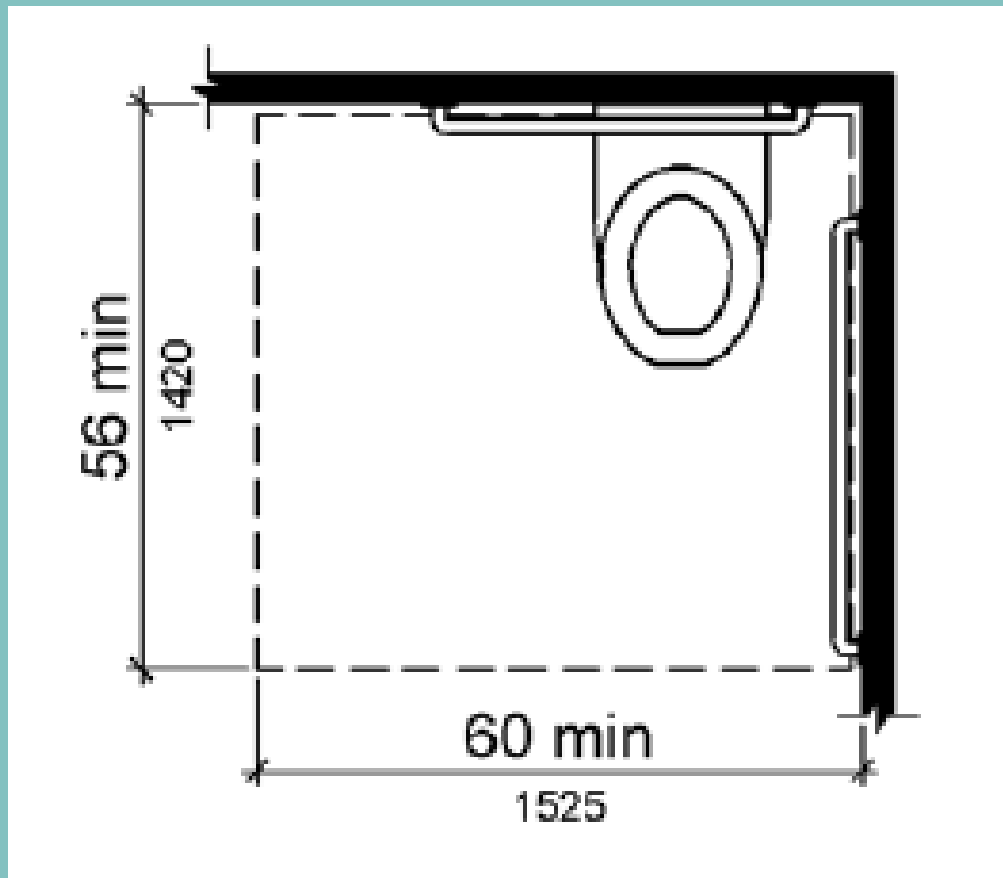


(b)
ambulatory
accessible water
closets

Figure 604.2

Plumbing Elements

Clearance at Water Closets



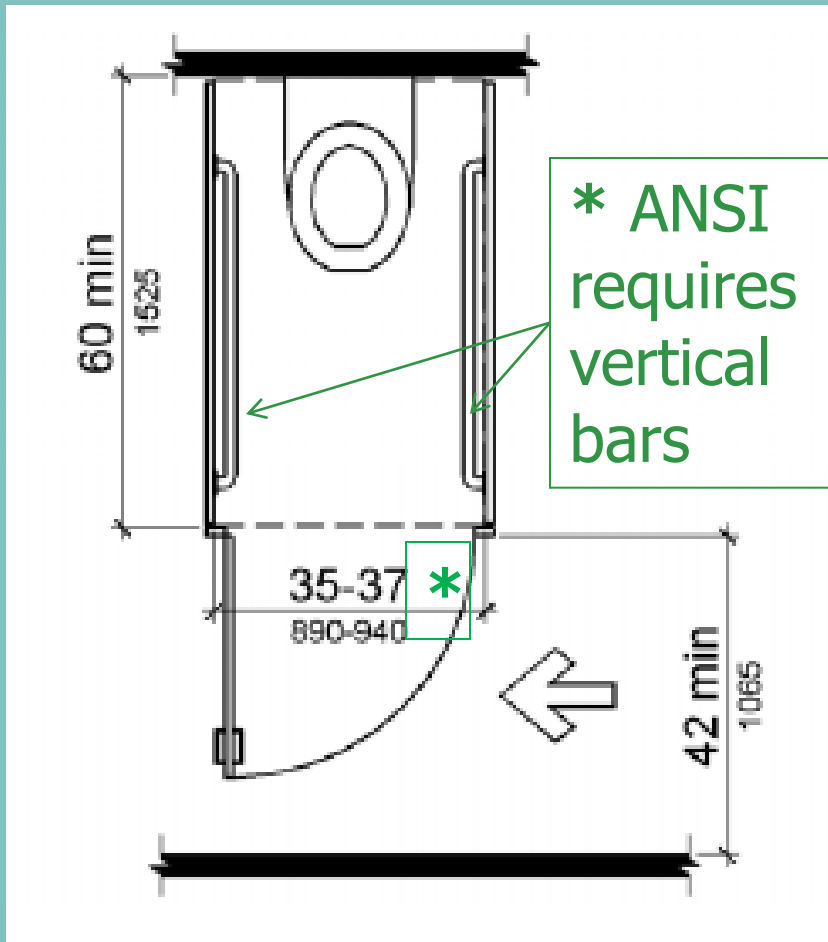
NEW:
This is now the only choice for clear floor space around the toilet.

Figure 604.3.1

■ Plumbing Elements

Ambulatory Stall

NEW



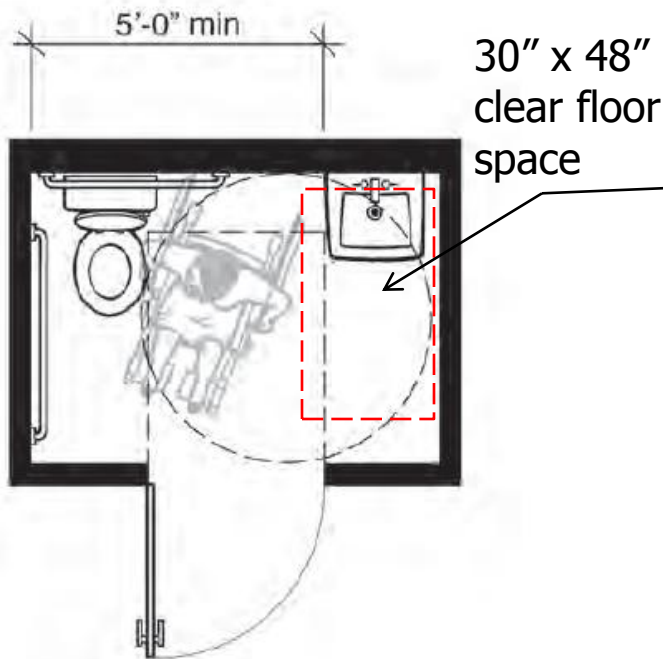
* ANSI requires exactly 36" wide.

Figure 604.8.2

Door may not swing into clear floor space for any fixture.

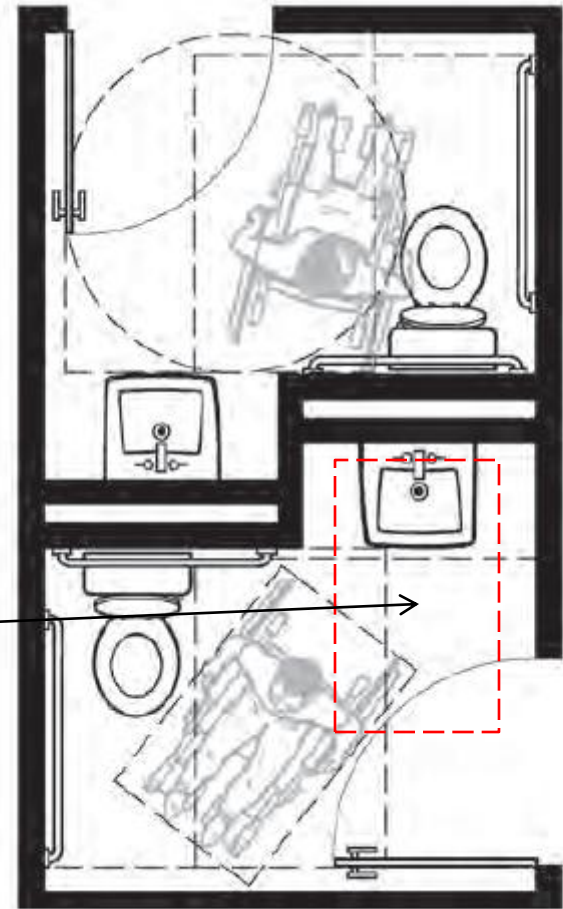
Exception for single use restroom.

2010 Standards



Plan-1B: 2010 Standards Minimum with Out-Swinging Door

7'-0" x 5'-0" • 35.00 Square Feet

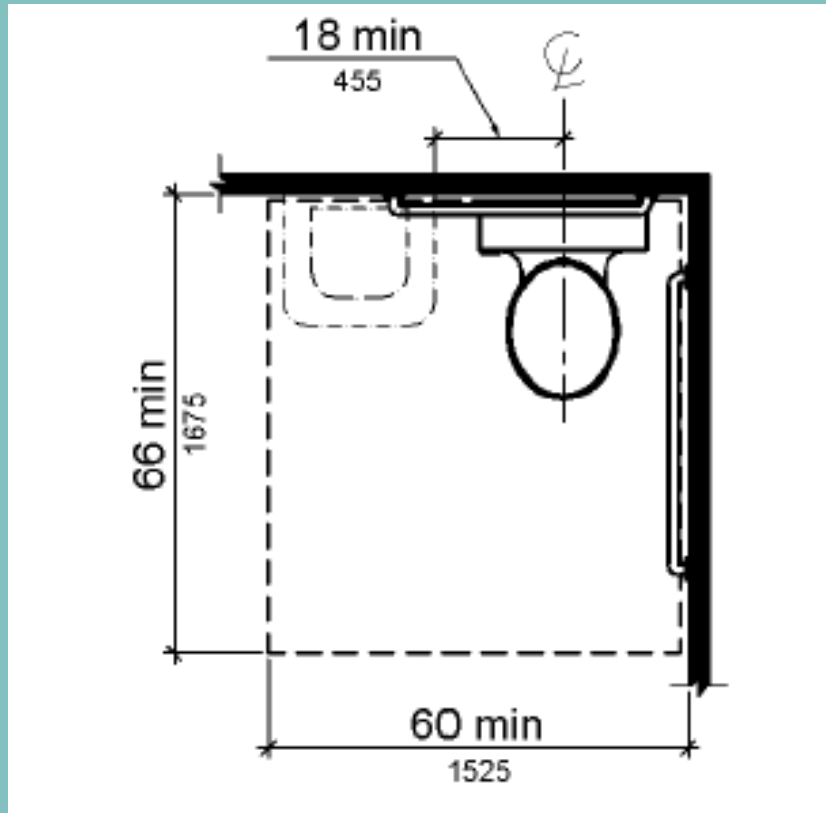


Plan-2C Pair: 2010 Standards with In-Swinging Doors

**Two 7'-2" x 6'-6" Rooms -
82.00 Square Feet Total**

■ Plumbing Elements

Toilet Clearance Overlap in Residential Dwelling Units



This is not
transient lodging

Figure 604.3.2

Plumbing Elements

Grab Bars

wall hung

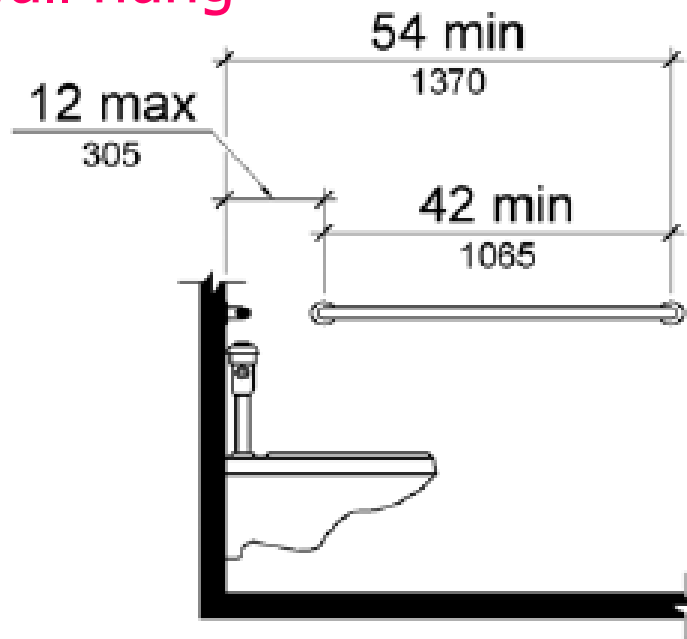


Figure 604.5.1

floor mount

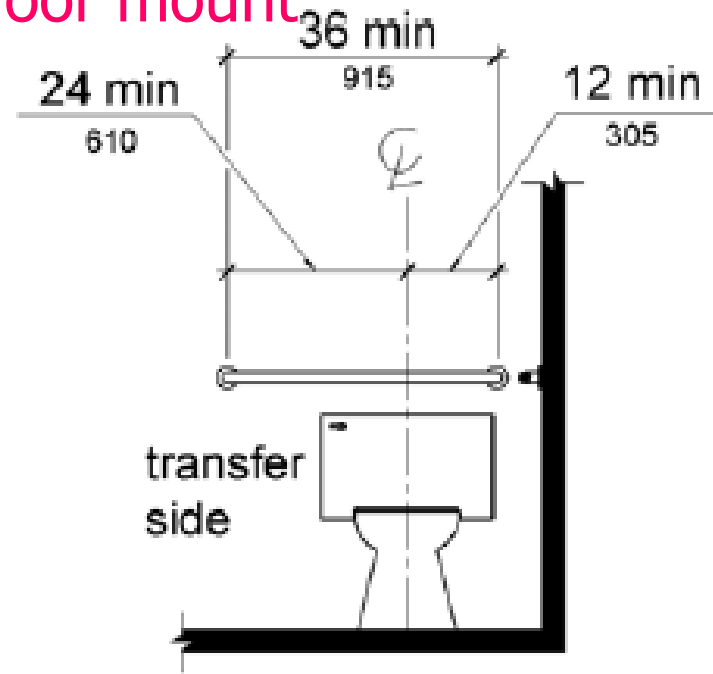


Figure 604.5.2

Note: IBC (ANSI) Requires vertical grab bar on side.

Plumbing Elements

ANSI - Grab Bars

* ANSI adds a vertical grab bar on the side

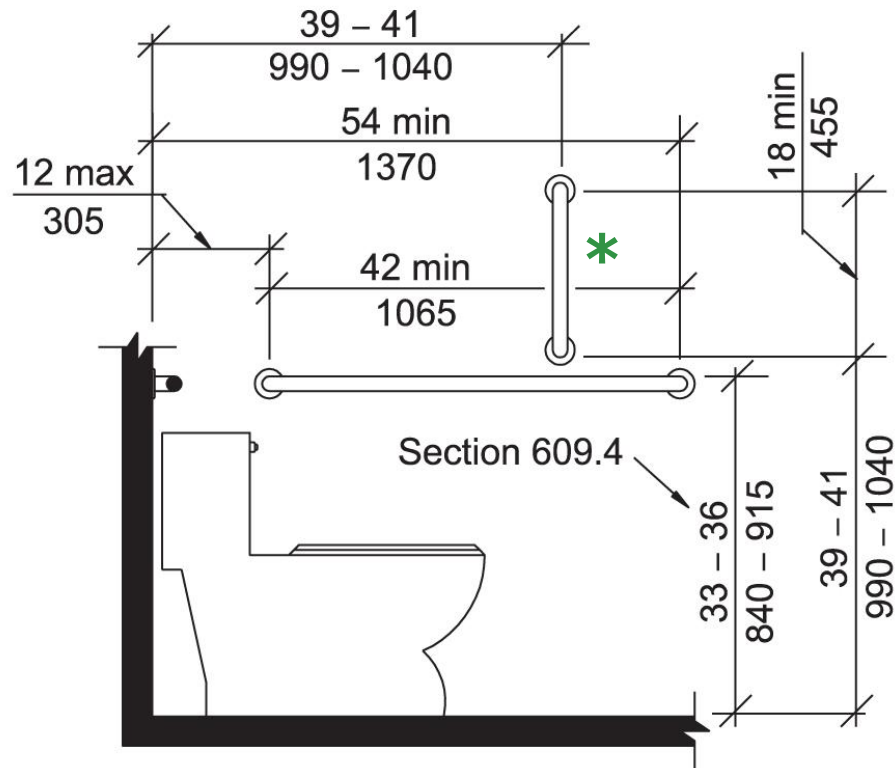


Fig. 604.5.1
Side Wall Grab Bar for Water Closet

NOTE: Diagram from
ANSI A II7.1

Plumbing Elements

Dispenser Outlet Location

NEW

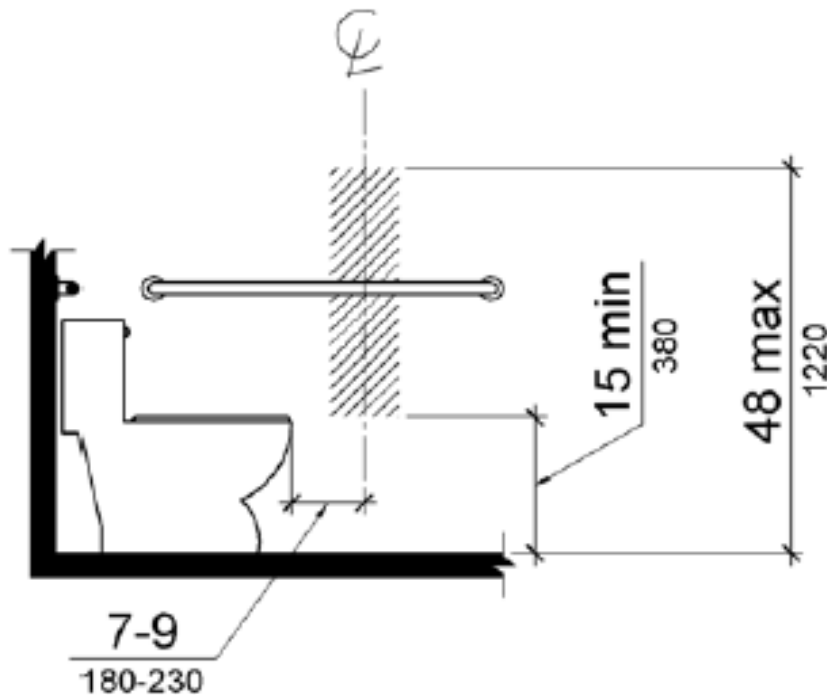


Figure 604.7

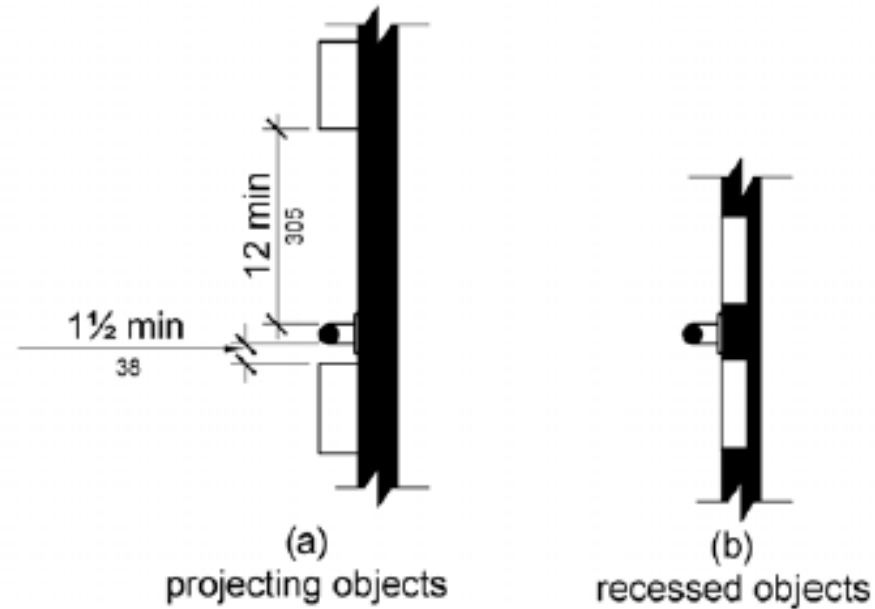
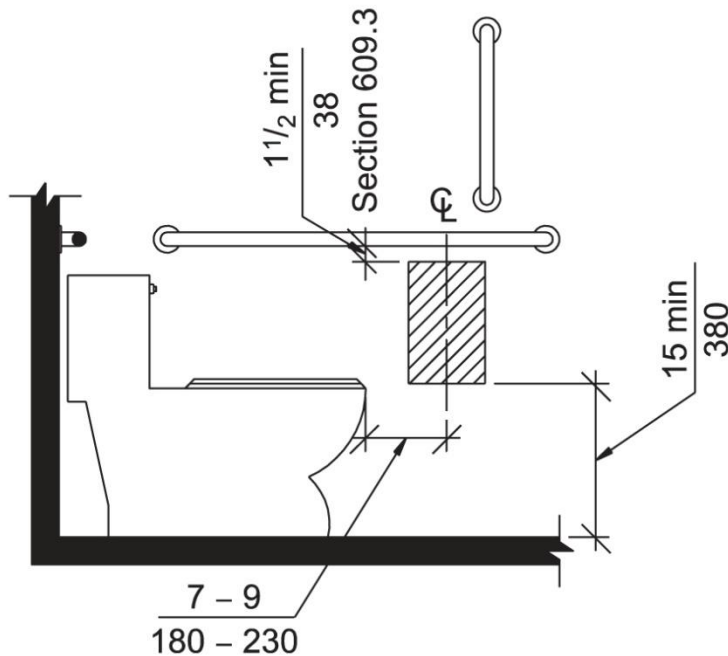


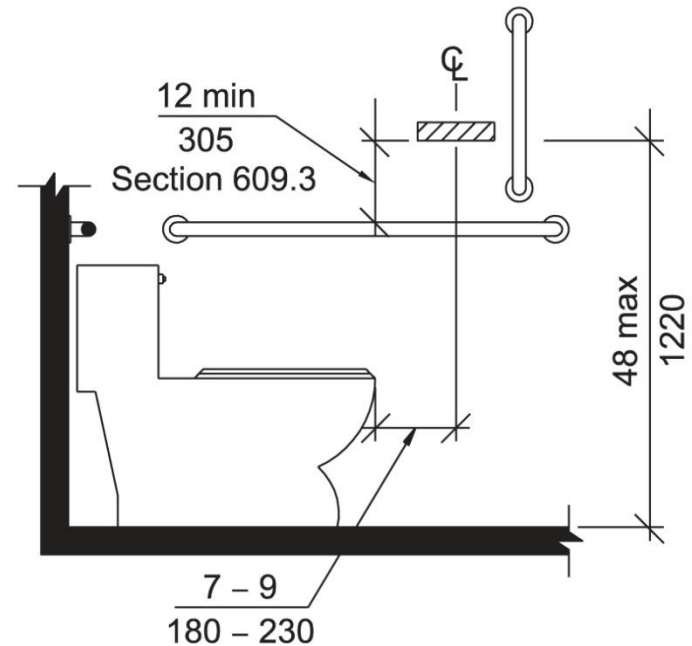
Figure 609.3

Plumbing Elements

ANSI – Dispenser Location



(a) Below Grab Bar



(b) Above Grab Bar

Fig. 604.7
Dispenser Location

Plumbing Elements

Wheelchair Accessible Toilet Compartment

NOT FOR NEW CONSTRUCTION
also consider a unisex restroom if technically infeasible .

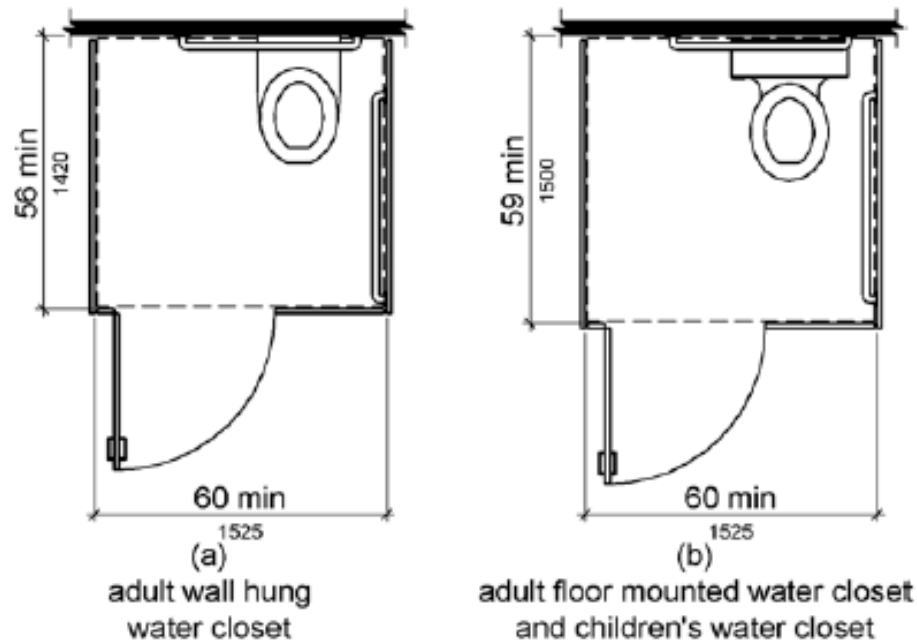


Figure 604.8.1.1

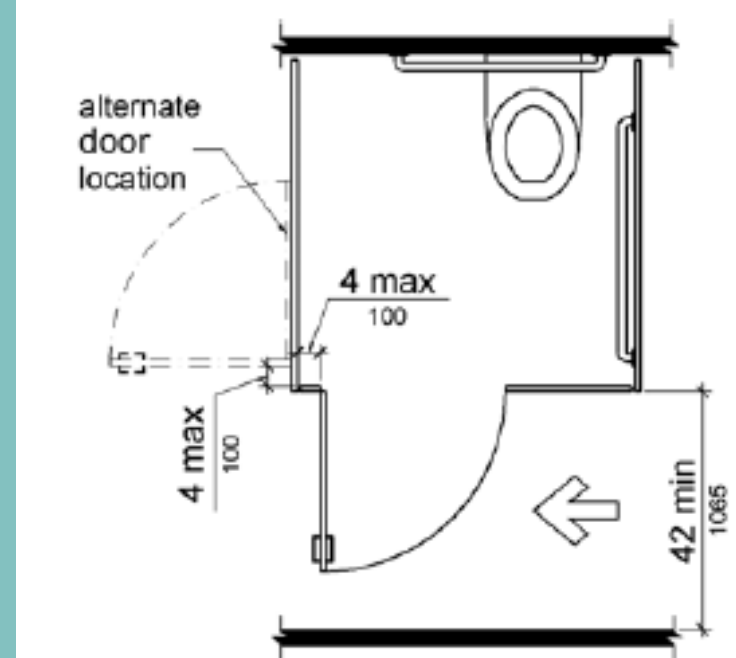


Figure 604.8.1.2

Plumbing Elements

Stall Toe Clearance

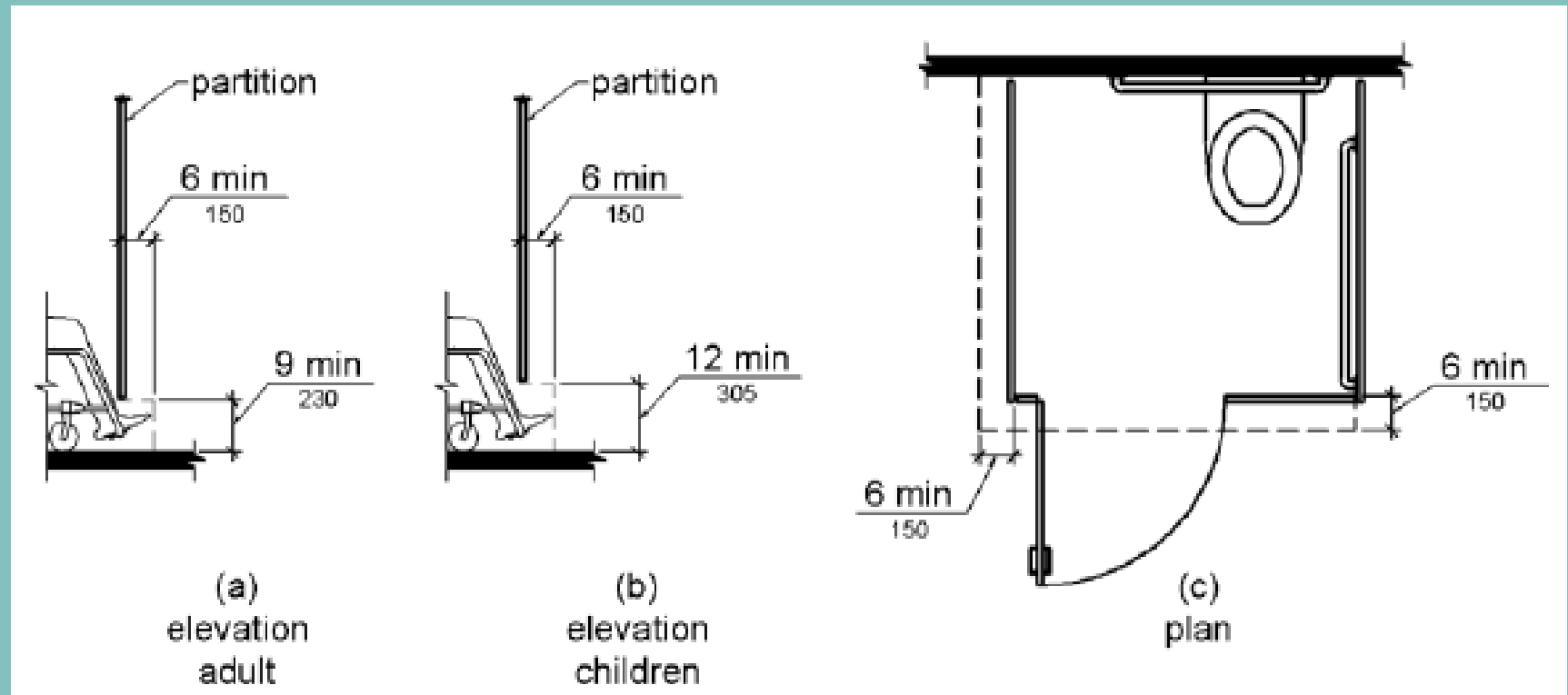
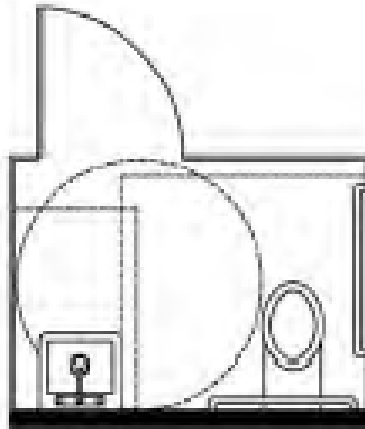


Figure 604.8.1.4

Plumbing Elements

Accessible Toilet Stall New Construction

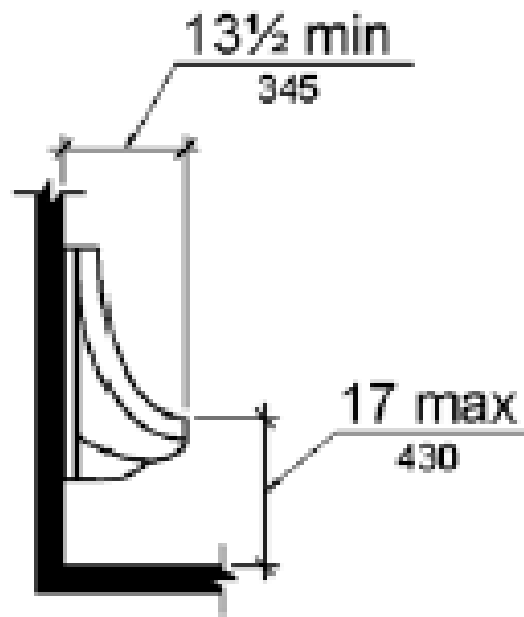
Figure 604.8.1.6



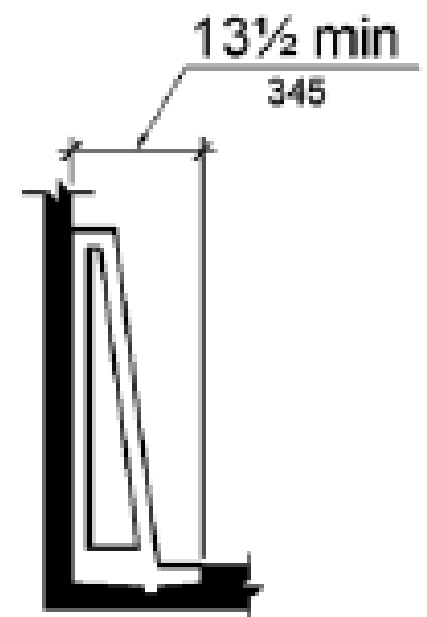
- ❑ In new construction a lavatory shall be provided within the accessible stall, at least 19" w x 17" d and wall hung
- ❑ The lavatory shall not encroach into the required clear floor space for the water closet.
- ❑ The water closet shall be located in the corner diagonal to the door.
- ❑ The toilet stall door shall not swing into the required clear floor space for any fixture.
- ❑ Self-closing door and min. 42" w approach

Plumbing Elements

Urinals



(a)
wall hung type



(b)
stall type

Figure 605.2

■ Plumbing Elements

Lavatories & Mirrors

NEW



❑ 606.2 LAVATORIES

- Forward approach required.
- Remember building block sizes for knees and toes.

❑ 604.8.1.6

- Wall hung Lav required.
- Lav 19" w. min. X 17" d min.

❑ 603.3 MIRRORS

- Mirrors over lavatories - bottom edge at 40" AFF. max.
- Mirrors not over lavs – 35" AFF max.
- Mirror tops at least 74" high

■ Plumbing Elements

Drinking Fountains and Water Coolers

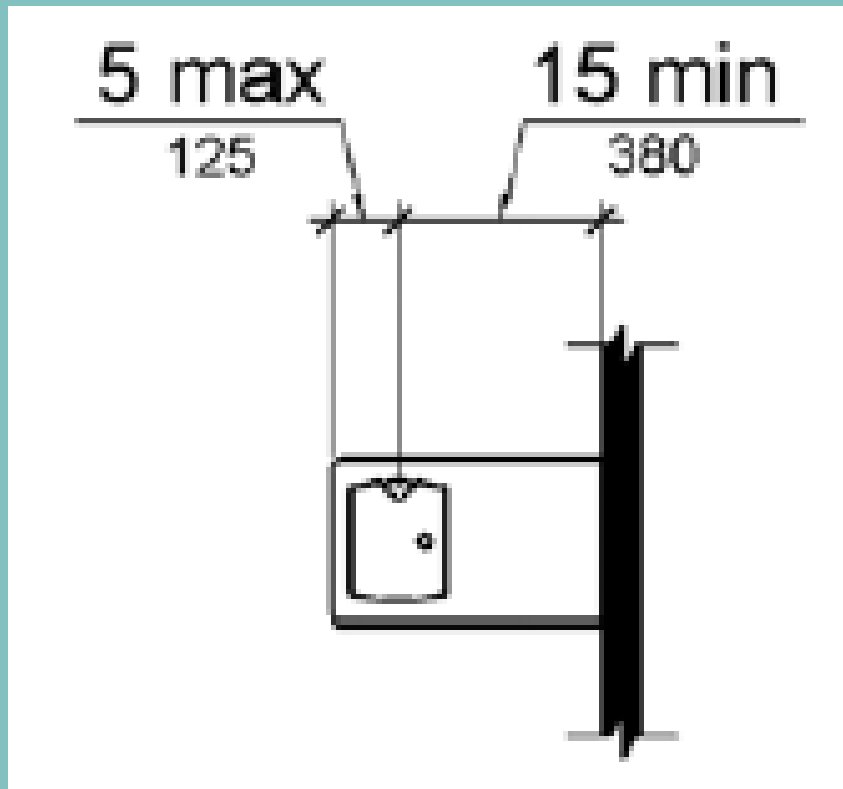


Figure 602.5



- One of each height is required (standing & seated)
- Spout height: 36" max
- NEW:** Spout height for standing use: 38"- 43"
- NEW:** Only forward approach is allowed now.

■ Plumbing Elements

Transfer Shower

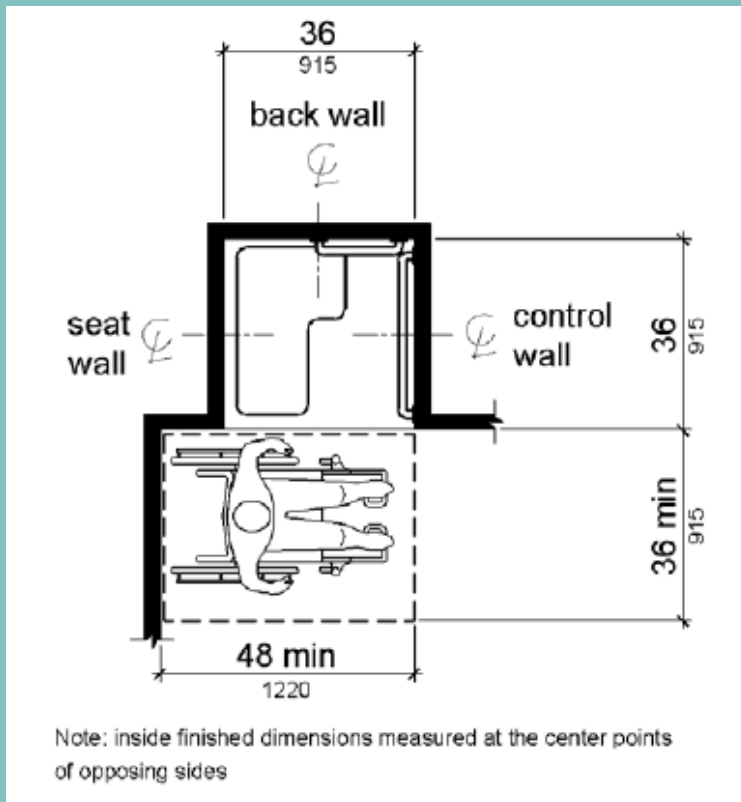
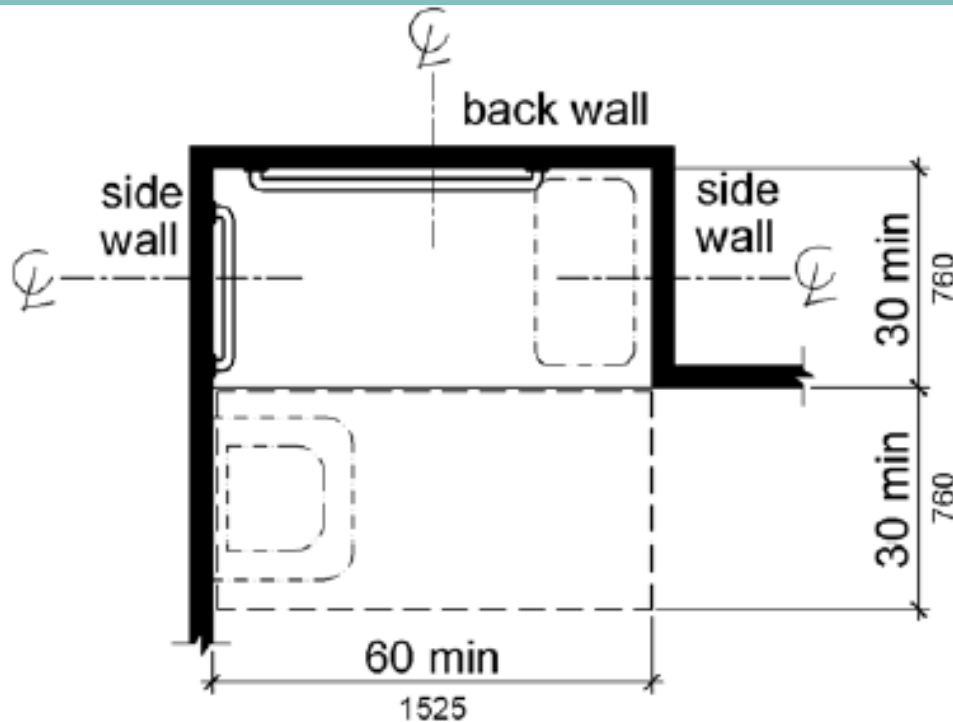


Figure 608.2.1

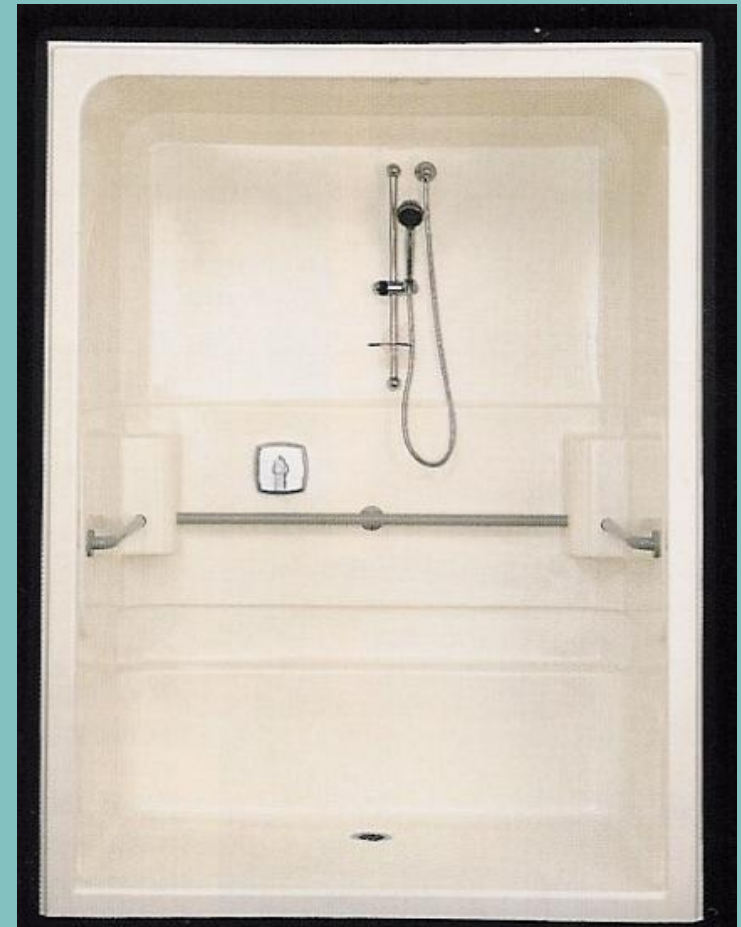
Plumbing Elements

Roll-in Shower



Note: inside finished dimensions measured at the center points of opposing sides

Figure 608.2.2



Plumbing Elements

Shower Seat

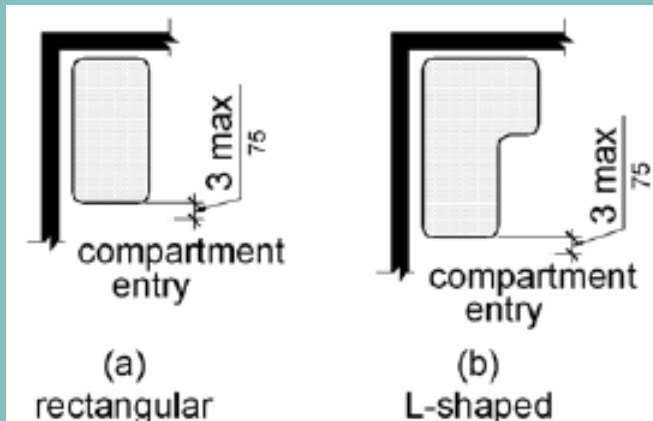
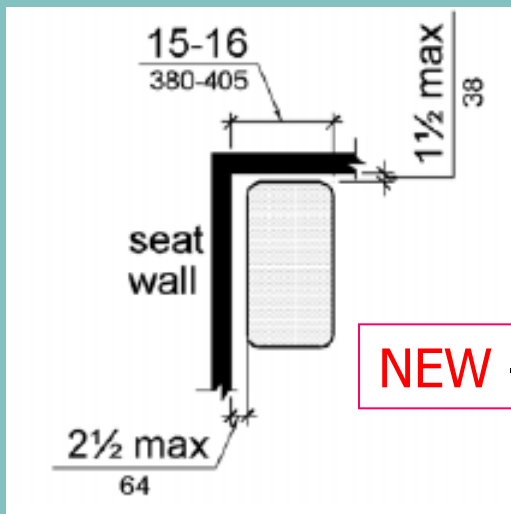


Figure 610.3



NEW - SHAPE

Figure 610.3.1

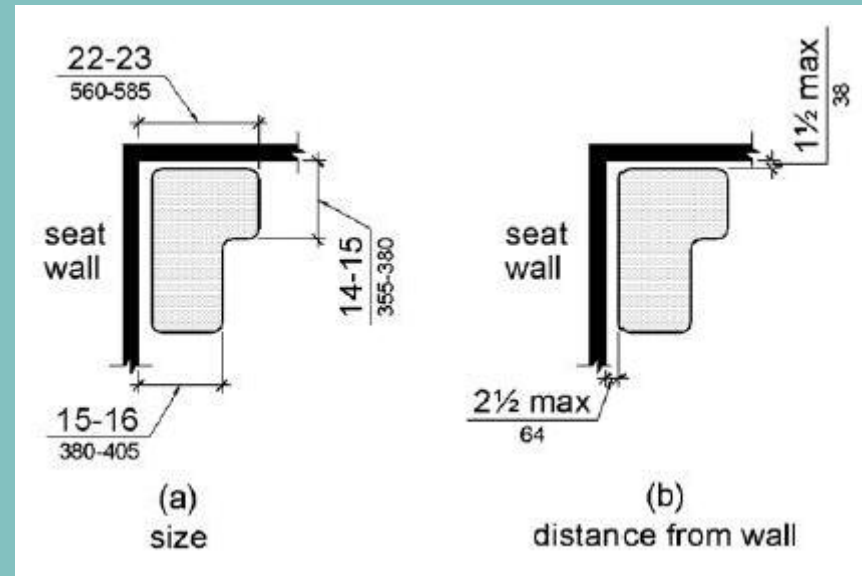


Figure 610.3.2

Plumbing Elements

Grab Bars At Showers

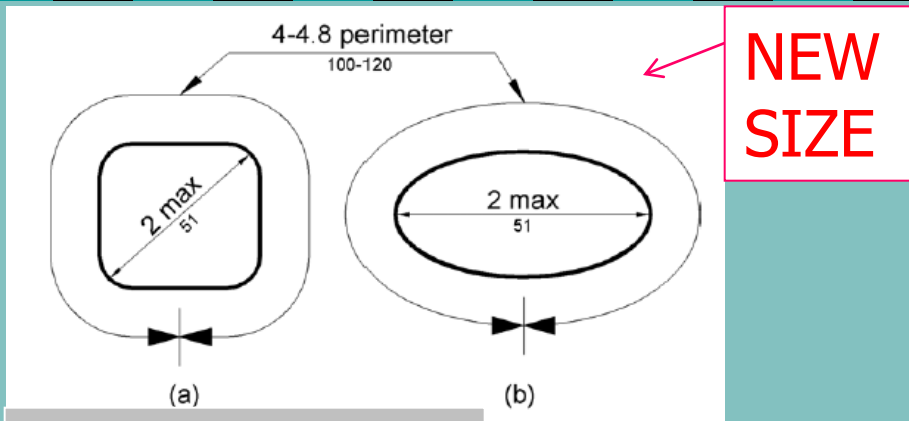


Figure 609.2.2

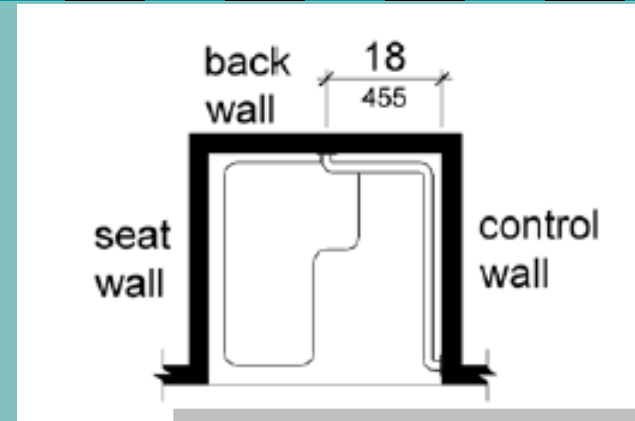


Figure 608.3.1

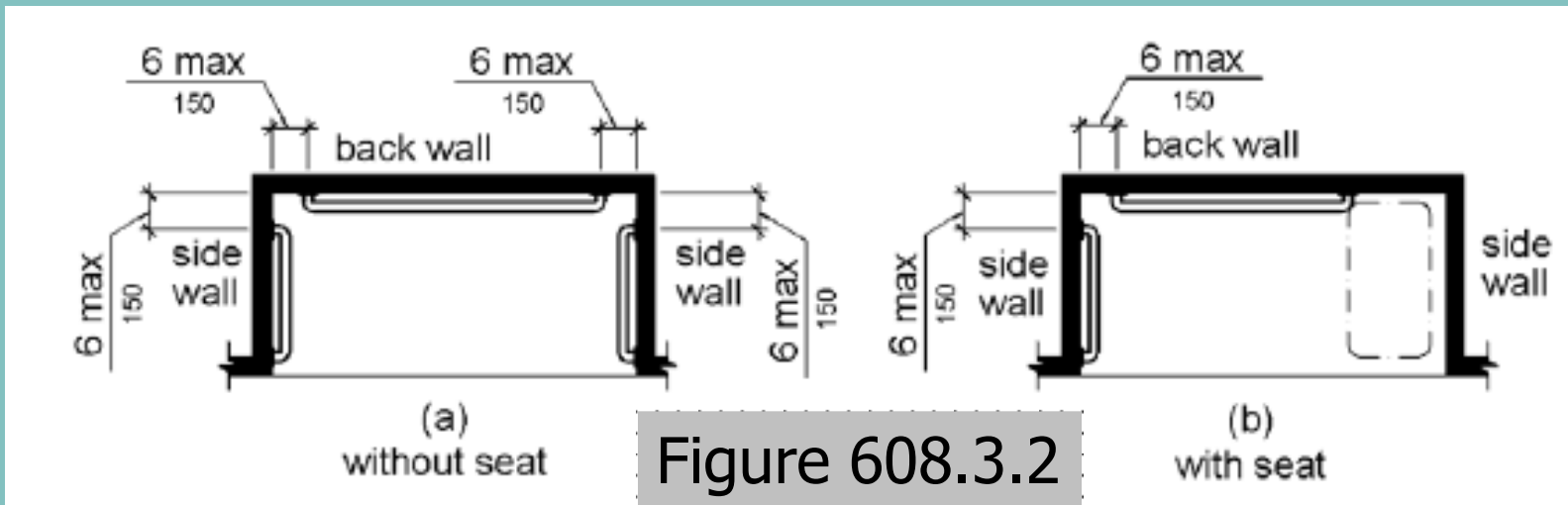


Figure 608.3.2

■ Plumbing Elements

ANSI - Grab Bars and Controls

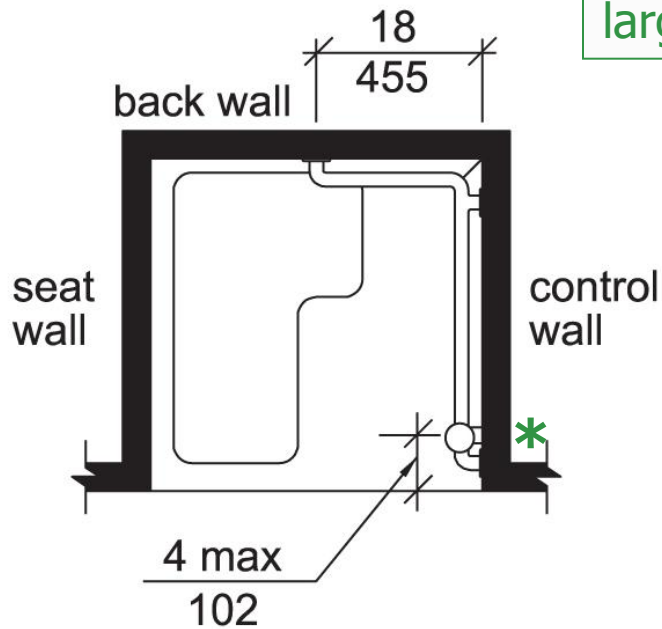


Fig. 608.3.1
Grab Bars in Transfer-Type Showers

larger control area

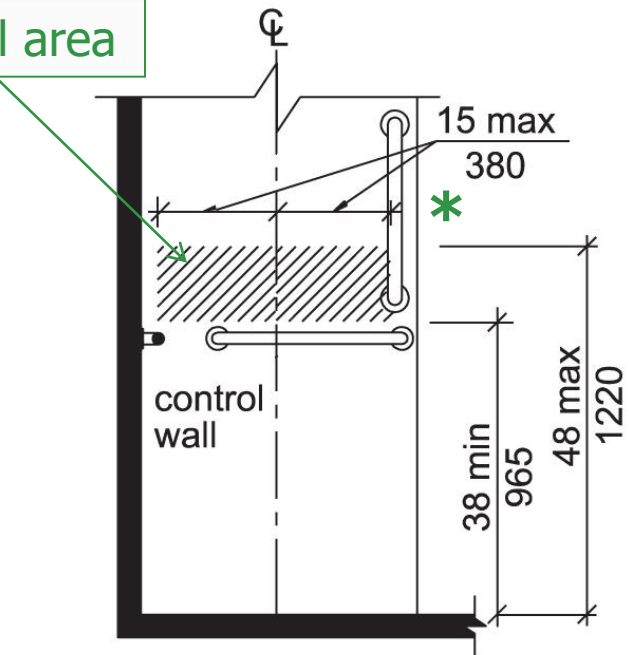


Fig. 608.5.1
Transfer-Type Shower
Controls and Handshowers Location

Plumbing Elements

Shower Controls

Transfer

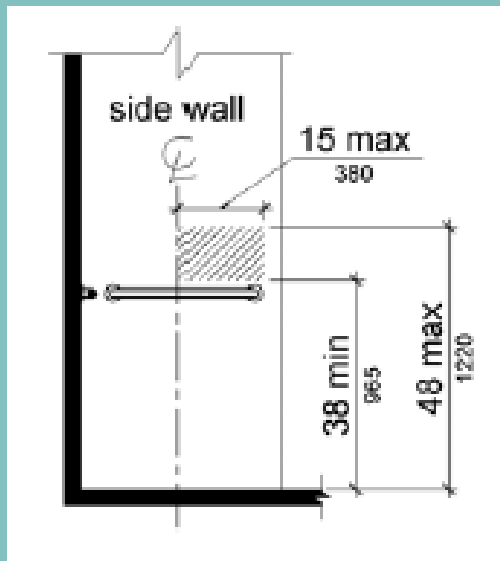


Figure 608.5.1

Roll-in

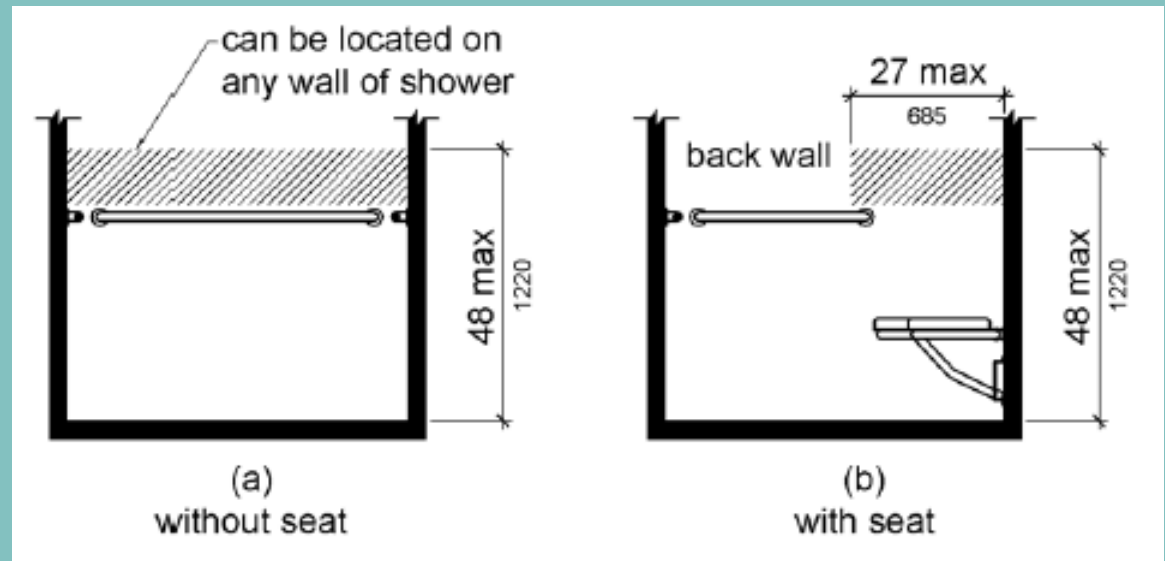


Figure 608.5.2

■ Plumbing Elements

Transient or Alternate Shower

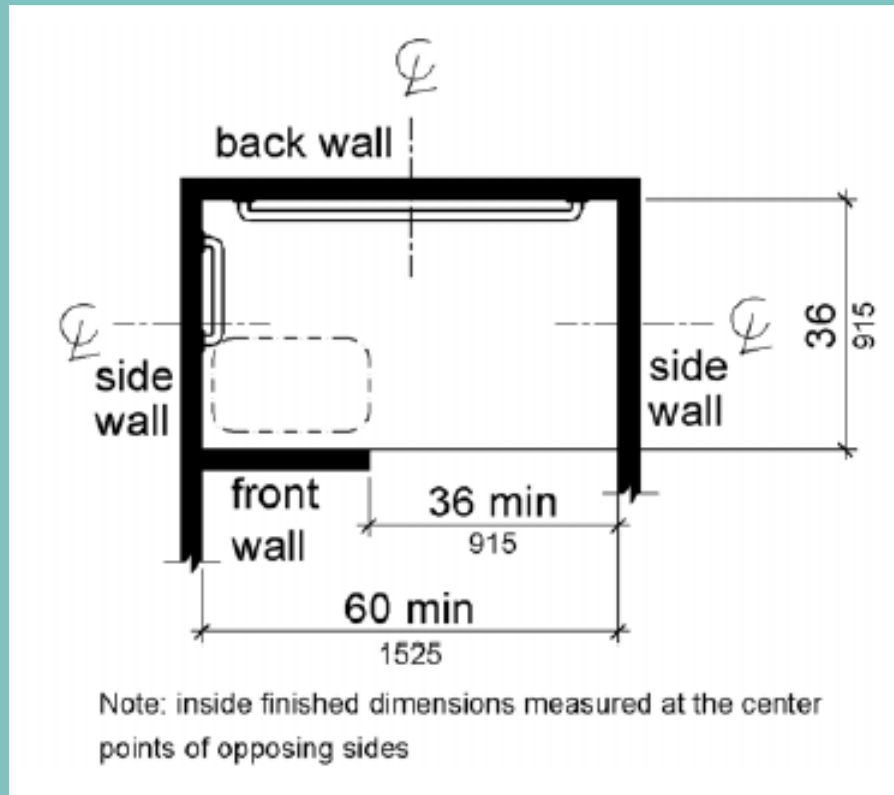


Figure 608.2.3

Plan view

Grab Bars

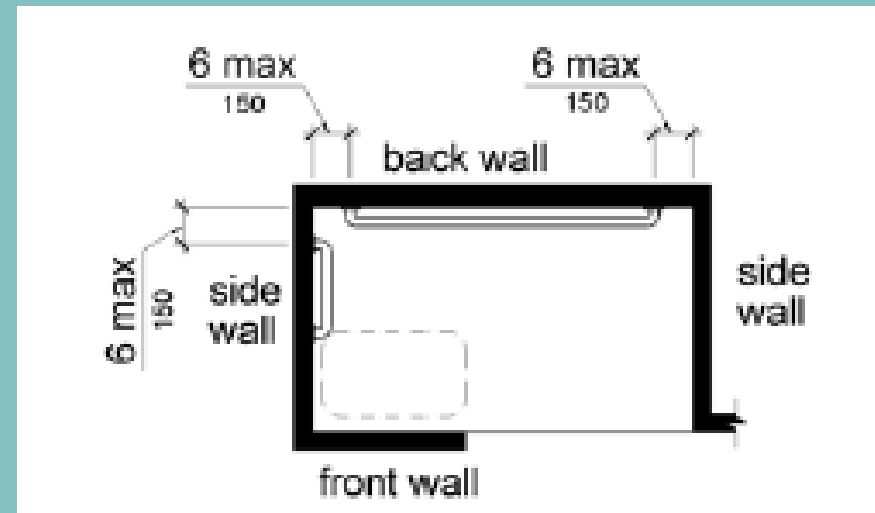


Figure 608.3.3

Plumbing Elements

Shower Controls

Alternate design of roll-in shower

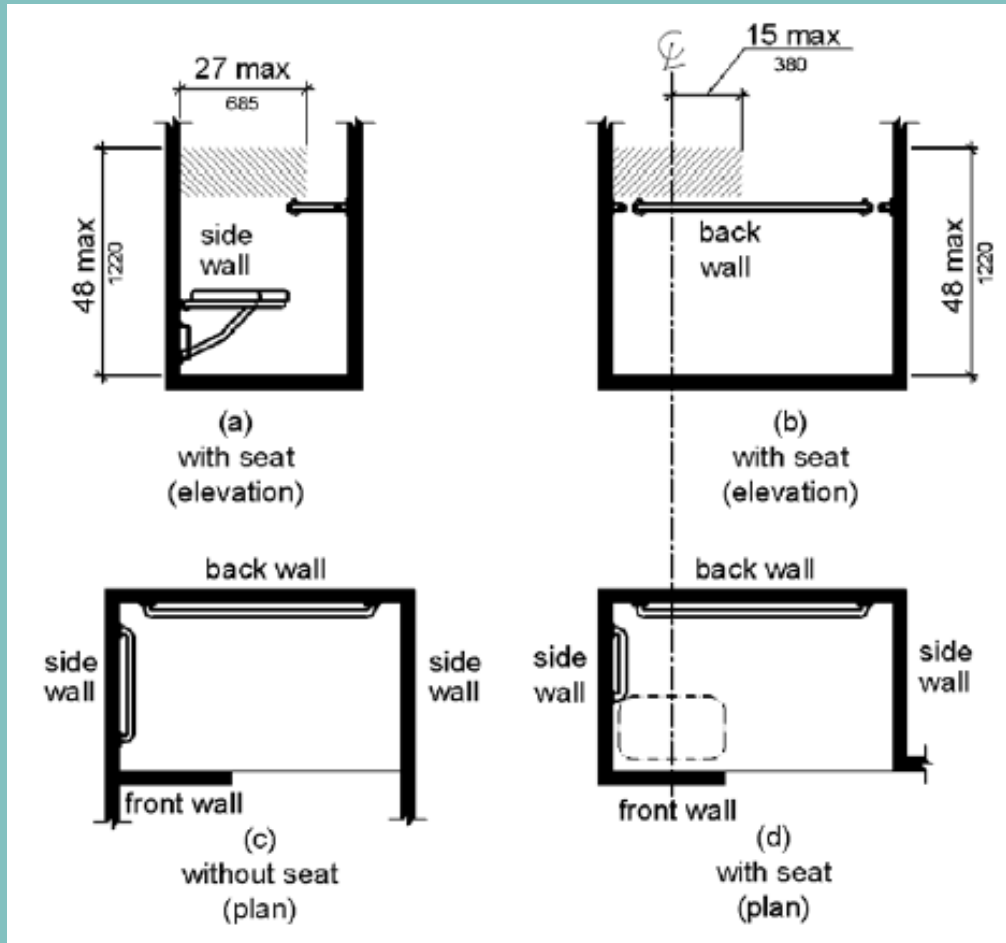


Figure 608.5.3

■ Plumbing Elements

Clear Floor Space at Bathtubs

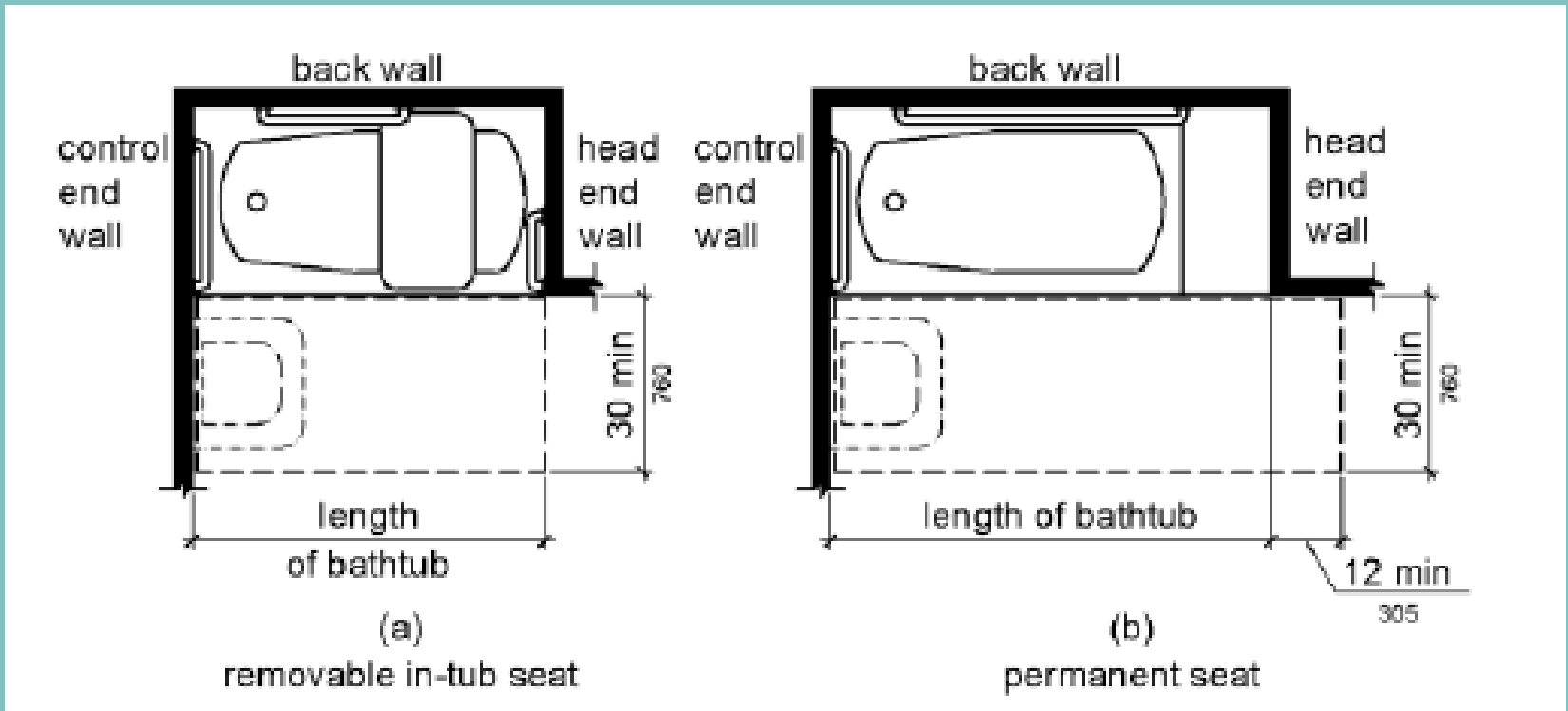


Figure 607.2

■ Plumbing Elements

Bathtub Seats

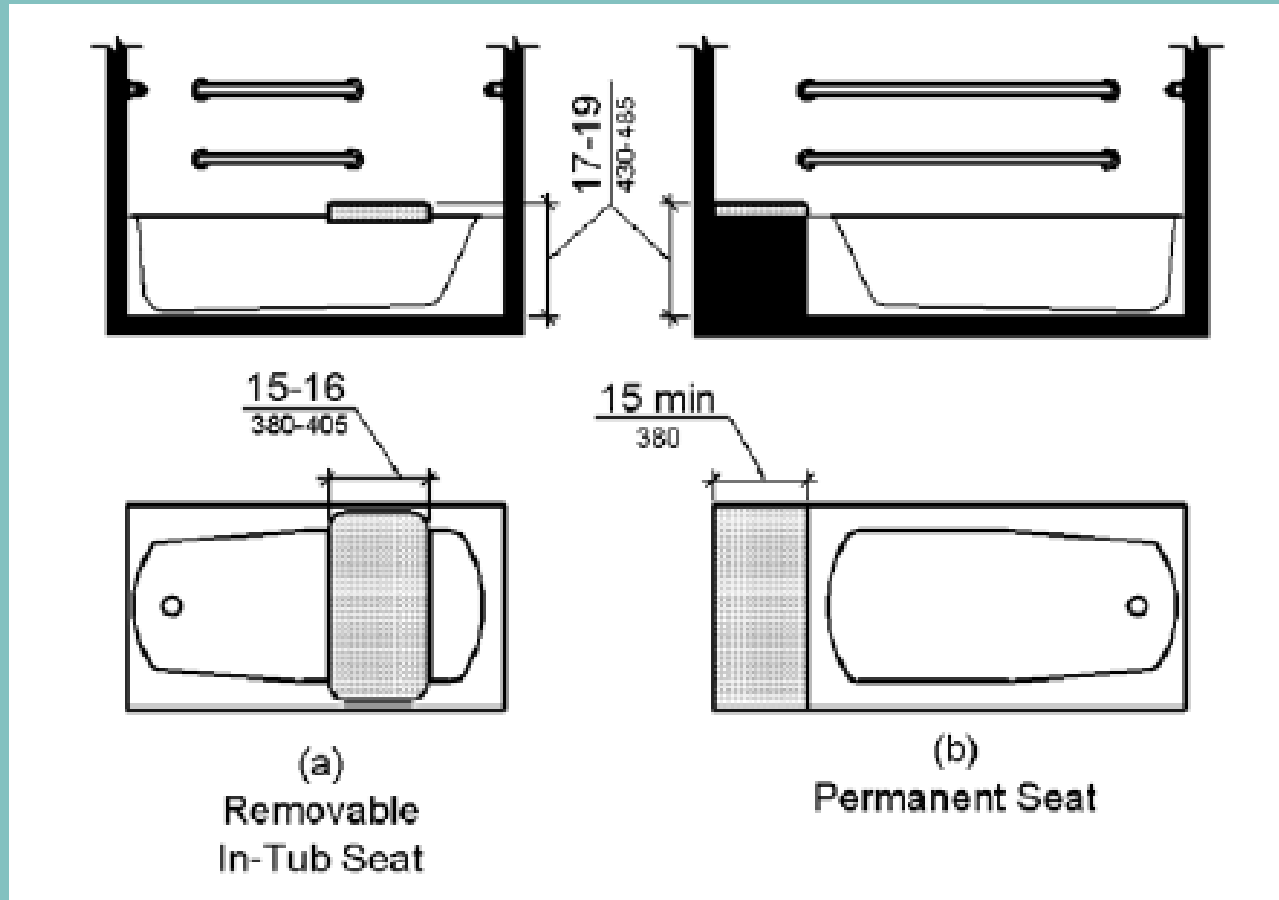


Figure 610.2

Plumbing Elements

Grab Bars for Bathtubs

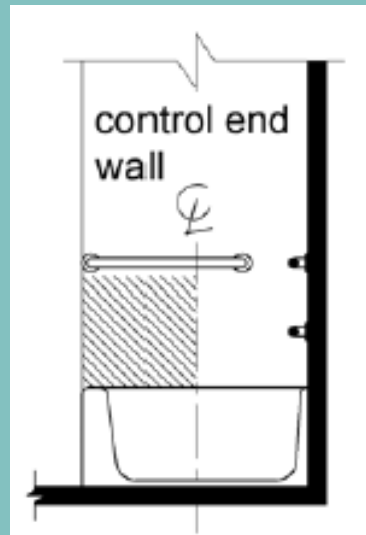
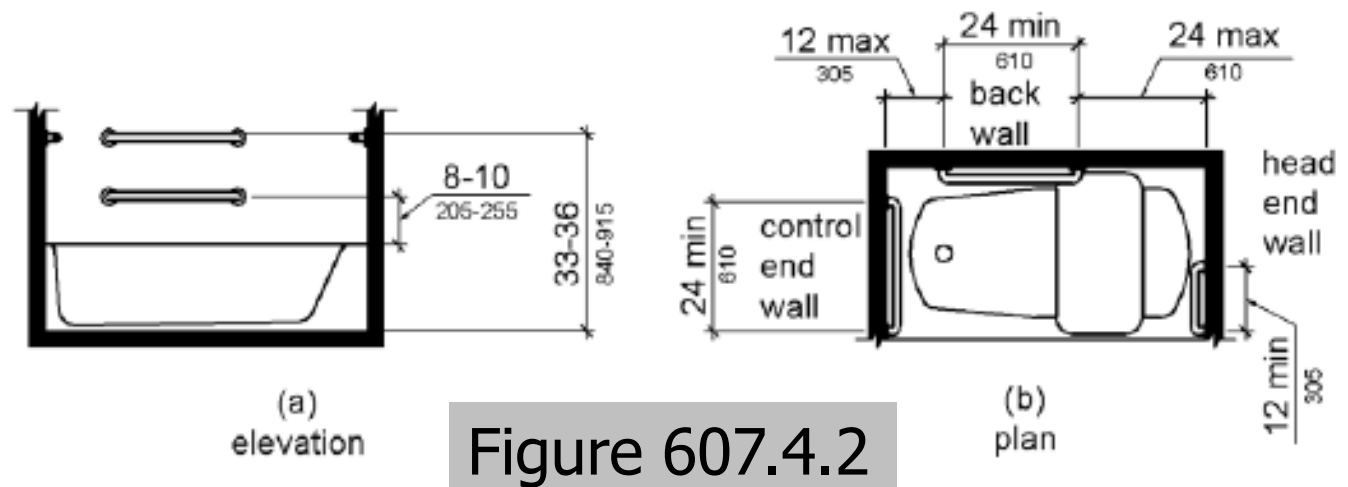
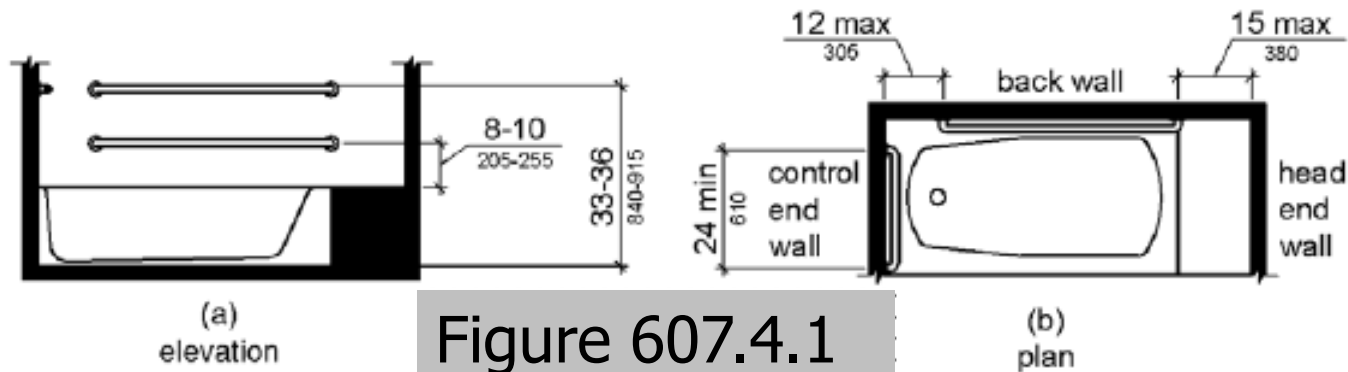


Figure 607.5

■ Plumbing Elements

Laundry Opening

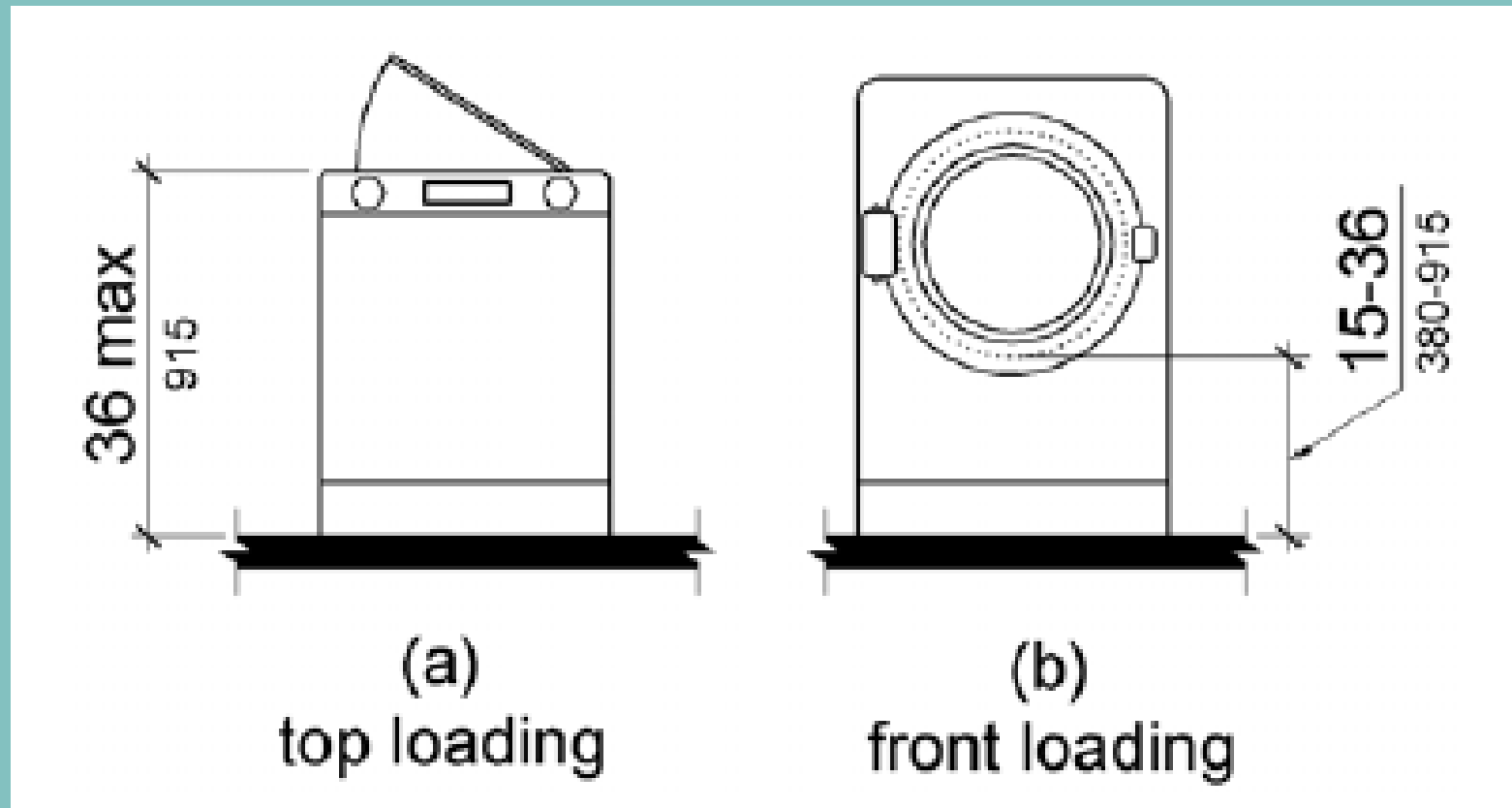


Figure 611.4

Communications

Signage



There are many subtle changes to signage and many more detailed descriptions than before. Talk to your signage professional for compliance.

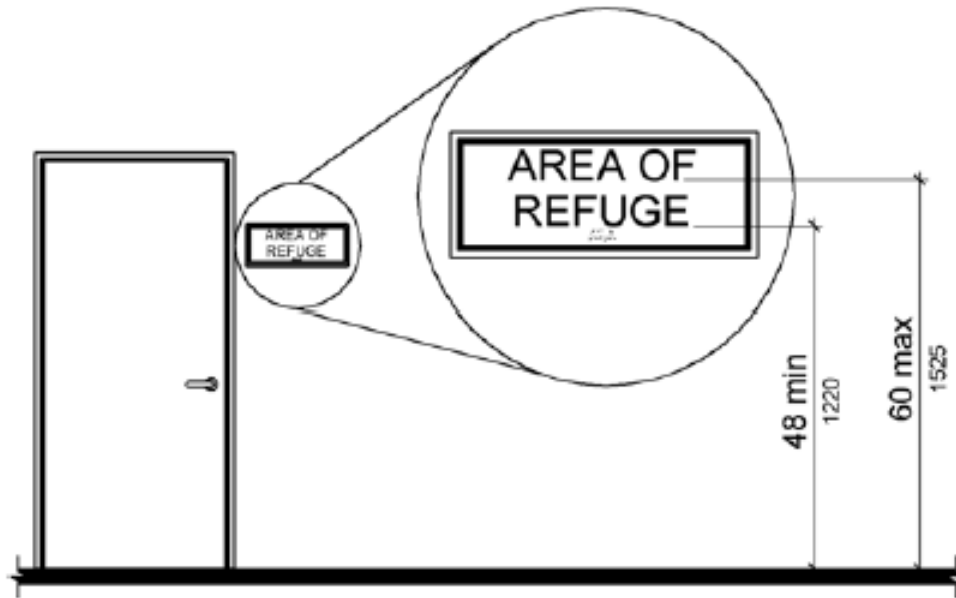
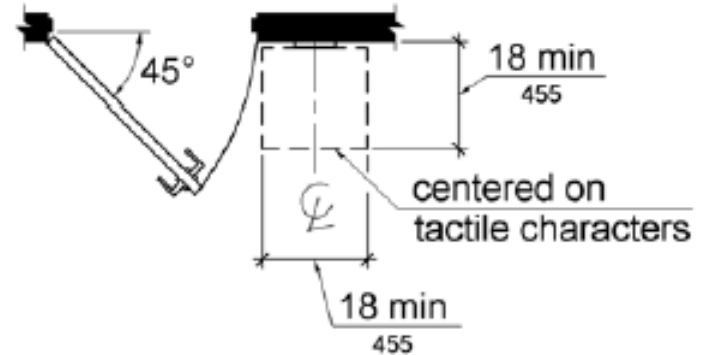


Communications

Location/Height of Tactile Signs

Figure 703.4.2

Location of tactile signs



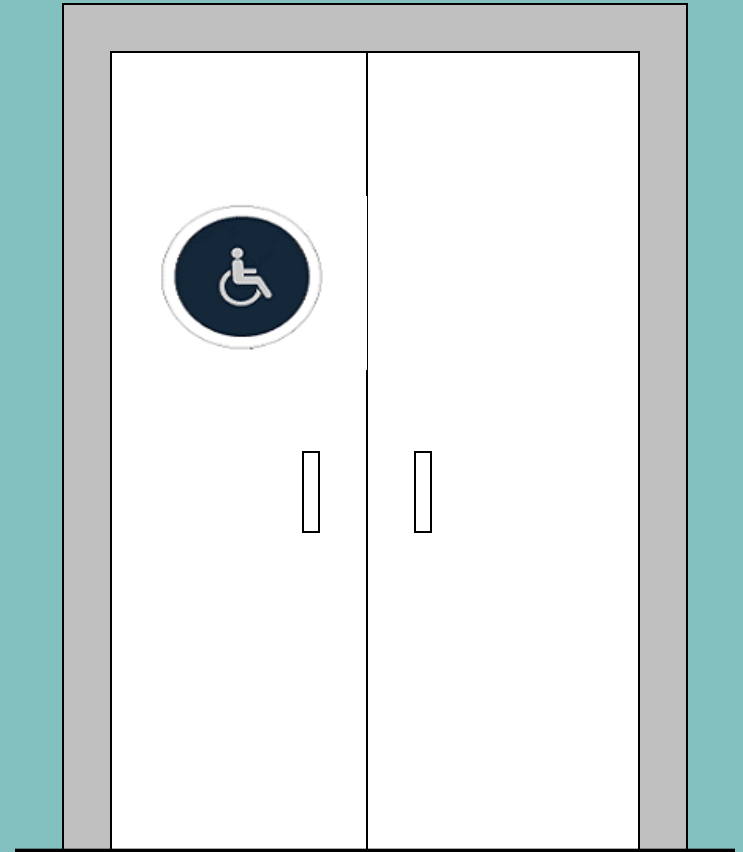
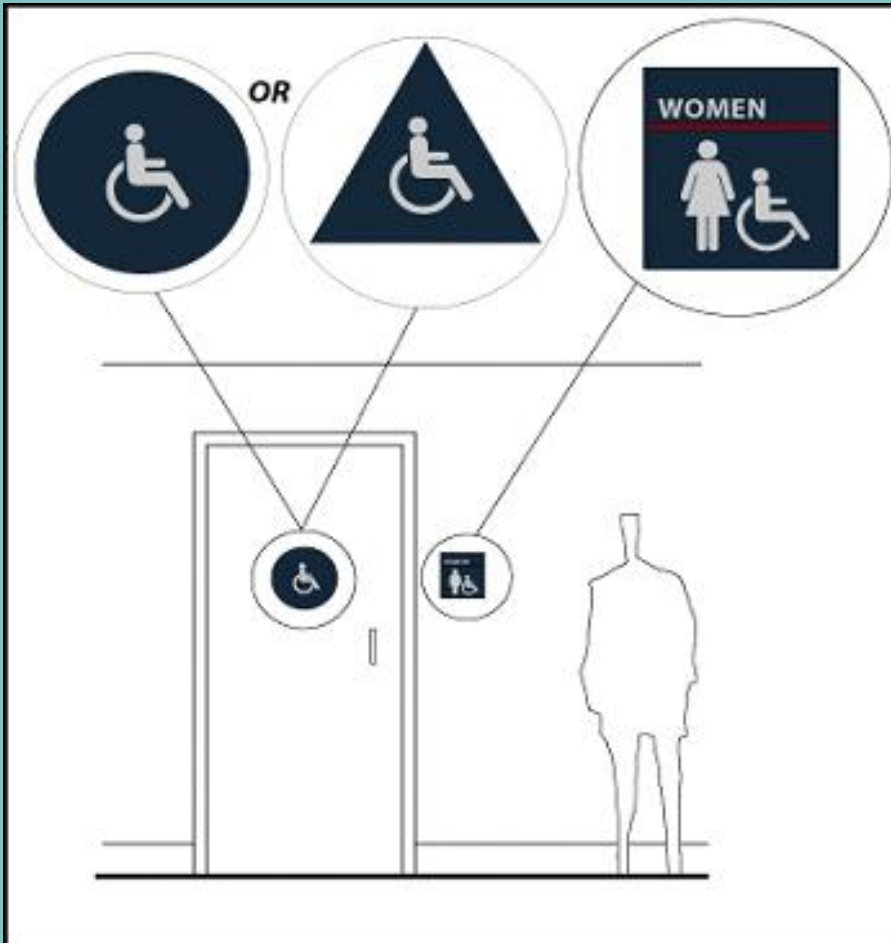
NEW

Figure 703.4.1

Height of tactile signs

■ Communications

Additional Tactile Sign Locations



Communications

Visual Character Height

NEW

Character Height based on the viewing distance

703.5.5 Visual Character Height (text version)		
Height to Finish Floor or Ground From Baseline of Character	Horizontal Viewing Distance	Minimum Character Height
40 inches (1015 mm) to less than or equal to 70 inches (1780 mm)	less than 72 inches (1830 mm)	5/8 inch (16 mm)
	72 inches (1830 mm) and greater	5/8 inch (16 mm), plus 1/8 inch (3.2 mm) per foot (305 mm) of viewing distance above 72 inches (1830 mm)
Greater than 70 inches (1780 mm) to less than or equal to 120 inches (3050 mm)	less than 180 inches (4570 mm)	2 inches (51 mm)
	180 inches (4570 mm) and greater	2 inches (51 mm), plus 1/8 inch (3.2 mm) per foot (305 mm) of viewing distance above 180 inches (4570 mm)
greater than 120 inches (3050 mm)	less than 21 feet (6400 mm)	3 inches (75 mm)
	21 feet (6400 mm) and greater	3 inches (75 mm), plus 1/8 inch (3.2 mm) per foot (305 mm) of viewing distance above 21 feet (6400 mm)


Communications

Light Reflectance Chart


LIGHT REFLECTANCE CONTRAST CALCULATOR

ADA guidelines recommend a contrast of 70% or higher for optimal legibility.

Select **Graphics Color**

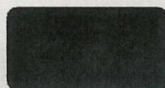


Select **Background Color**



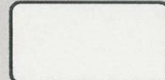
Graphics Color

A02 Black



Background Color

A01 White



Contrast 95%

<http://www.apcosigns.com/lrv.swf>

Special Rooms and Spaces

- Assembly Areas
- Transient Lodging
- Kitchens & Kitchenettes



Special Rooms and Spaces

Wheelchair Spaces

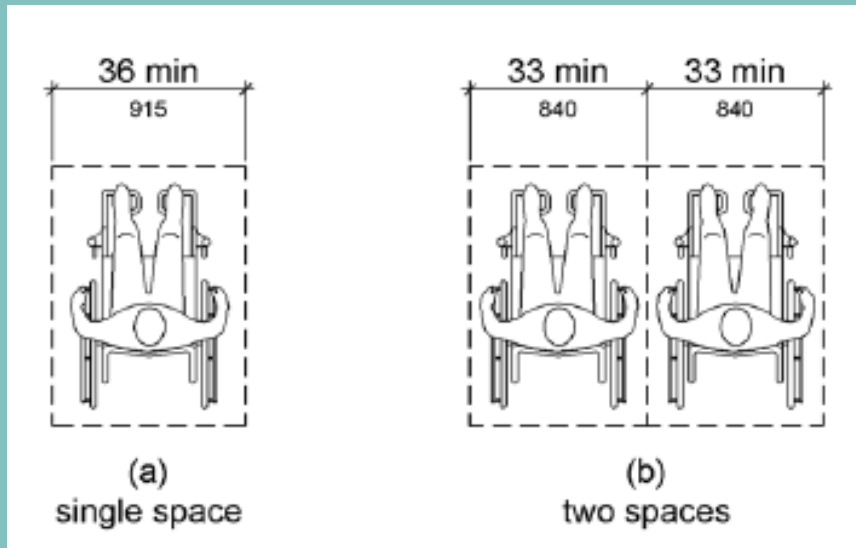


Figure 802.1.2

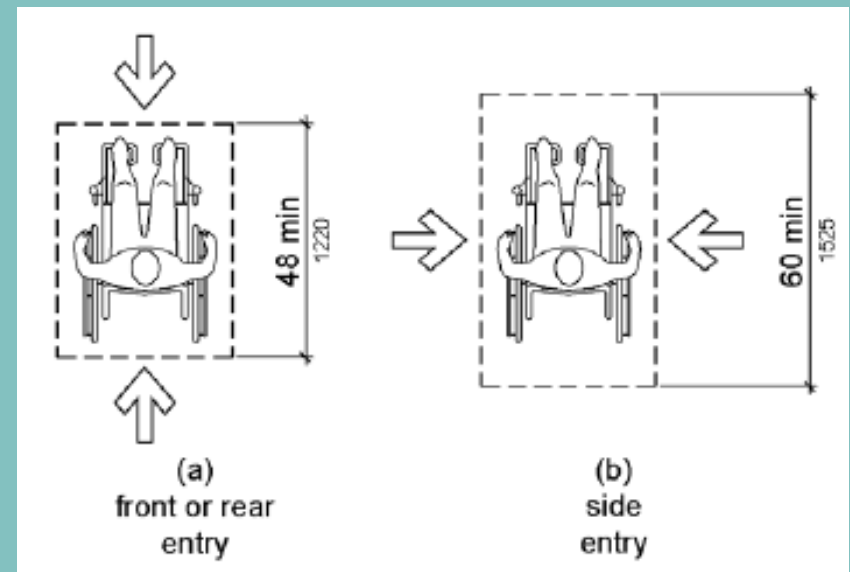


Figure 802.1.3

Special Rooms and Spaces

Assembly Seating



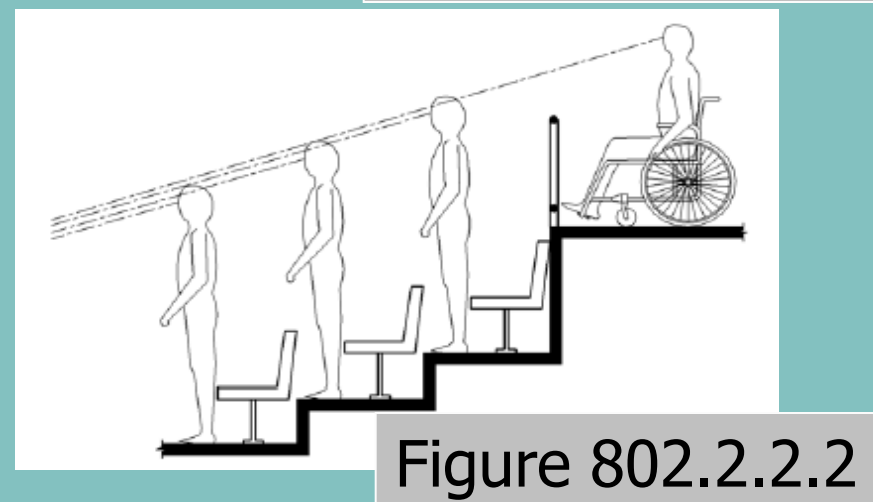
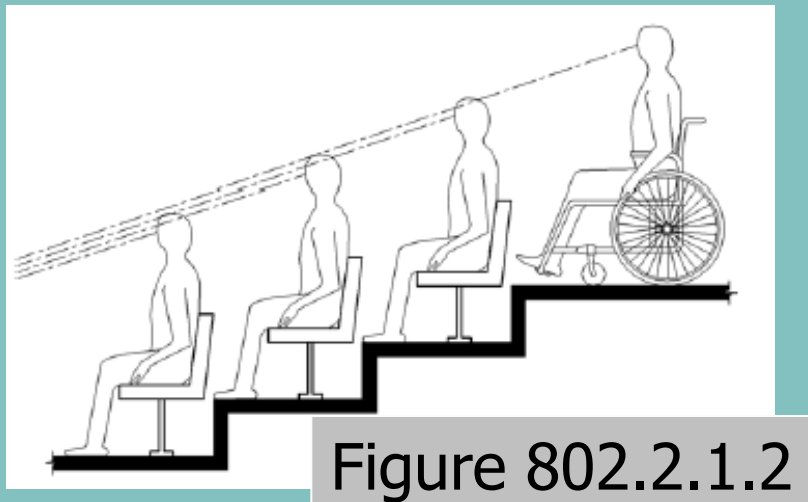
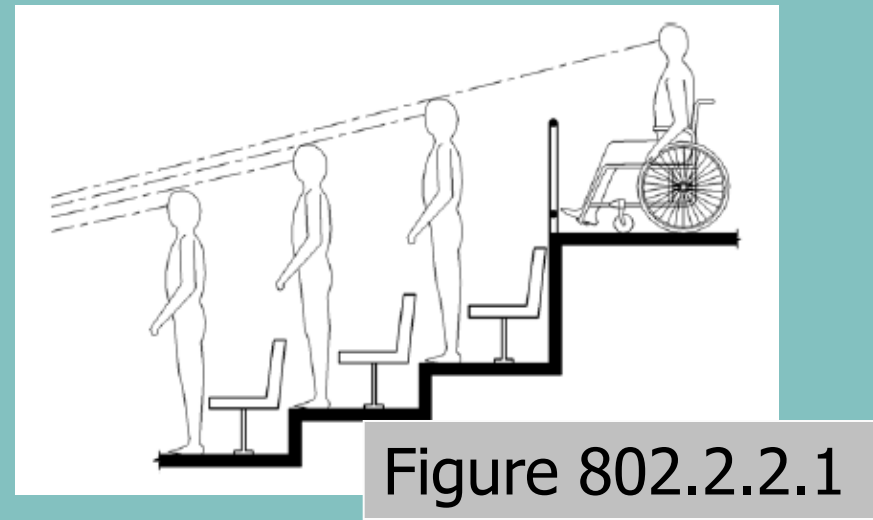
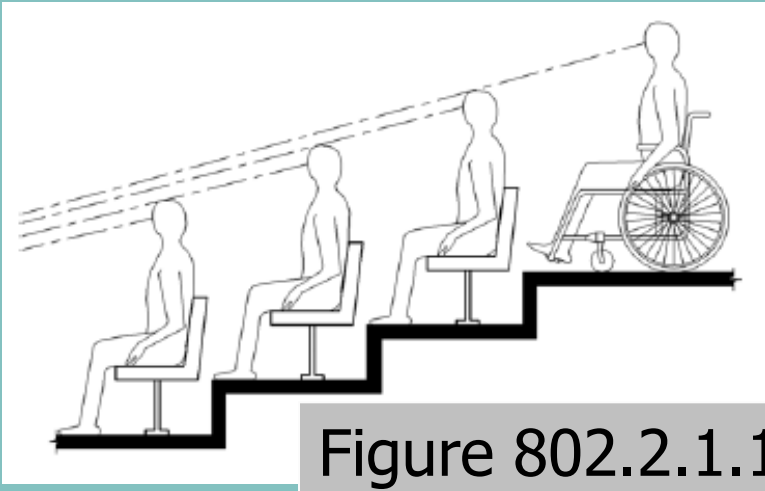
NEW - These numbers are slightly less than before

221.2.1.1 Number of Wheelchair Spaces in Assembly Areas

Number of Seats	Minimum Number of Required Wheelchair Spaces
4 to 25	1
26 to 50	2
51 to 150	4
151 to 300	5
301 to 500	6
501 to 5000	6, plus 1 for each 150, or fraction thereof, between 501 through 5000
5001 and over	36, plus 1 for each 200, or fraction thereof, over 5000

Special Rooms and Spaces

Line of Sight With Seated Spectators and Standing Spectators



Special Rooms and Spaces

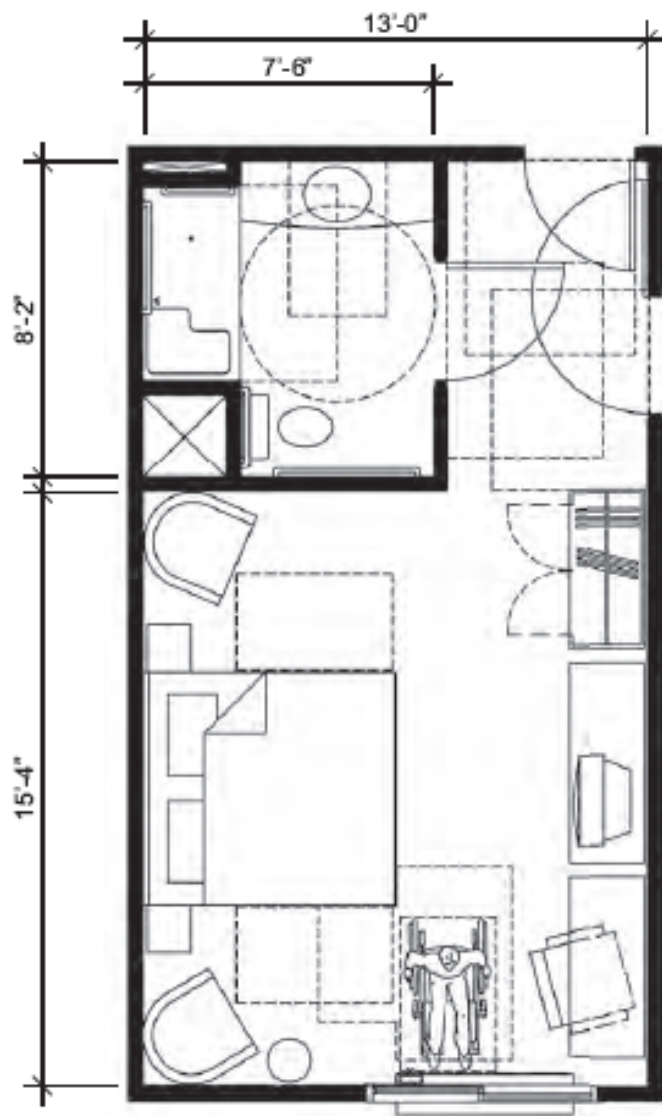
Transient Lodging

224.2 Guest Rooms with Mobility Features. In *transient lodging facilities*, guest rooms with mobility features complying with 806.2 shall be provided in accordance with Table 224.2.

TABLE 224.2 GUEST ROOMS WITH MOBILITY FEATURES

	Minimum Number of Required Rooms Without Roll-in Showers	Minimum Number of Required Rooms With Roll-in Showers	Total Number of Required Rooms	Florida 5%
1 to 25	1	0	1	See Section 224.2
26 to 50	2	0	2	
51 to 75	3	1	4	
76 to 100	4	1	5	
101 to 150	5	2	7	
151 to 200	6	2	8	
201 to 300	7	3	10	
301 to 400	8	4	12	
401 to 500	9	4	13	
501 to 1000	2 percent of total	1 percent of total	3 percent of total	
1001 and over	20, plus 1 for each 100, or fraction thereof, over 1000	10, plus 1 for each 100, or fraction thereof, over 1000	30, plus 2 for each 100, or fraction thereof, over 1000	

806.3 Communication Features - see table 224.4



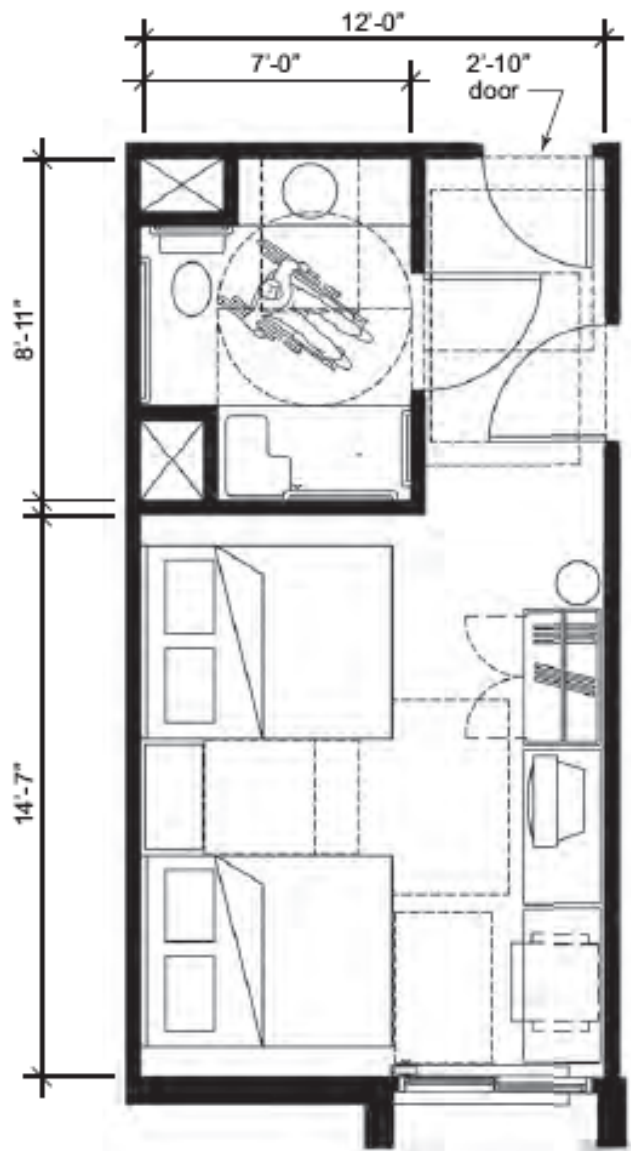
The following accessible features are provided in the bathroom:

- Comparable vanity counter top space (section 806);
- Standard roll-in type shower with folding seat (section 608.2.2);
- Recessed roll-in shower location permits shorter rear grab bar at water closet (section 604.5.2);
- Clear floor space adjacent to shower min. 30 inches wide by 60 inches long (section 608.2.2);
- Circular turning space in room (section 603.2.1);
- Required clear floor spaces at fixtures and turning space overlap (section 603.2.2);
- Turning space includes knee and toe clearance at lavatory (section 304.3);
- Water closet clearance is 60 inches at back wall and 56 inches deep (section 604.3);
- Centerline of the water closet at 16-18 inches from side wall (section 604.2); and
- No other fixtures or obstructions located within required water closet clearance (section 604.3).

The following accessible features are provided in the living area:

- T-shaped turning space (section 304.3.2);
- Accessible route (section 402);
- ✓ Clear floor space on both sides of the bed (section 806.2.3);
- Maneuvering clearances at all doors (section 404.2);
- Accessible operable window (section 309); and
- Accessible controls for the heat and air conditioning (section 309).

13' Hotel/Motel Example



The following accessible features are provided in the bathroom:

- Comparable vanity counter top space (section 806);
- Standard roll-in type shower with folding seat (section 608.2.2);
- Recessed lavatory with vanity counter top permits shorter rear grab bar at water closet (section 604.5.2);
- Clear floor space adjacent to shower min. 30 inches wide by 60 inches long (section 608.2.2);
- Circular turning space in room (section 603.2.1);
- Required clear floor spaces at fixtures and turning space overlap (section 603.2.2);
- Turning space includes knee and toe clearance at lavatory (section 304.3);
- Water closet clearance is 60 inches at back wall and 56 inches deep (section 604.3);
- Centerline of the water closet at 16-18 inches from side wall (section 604.2); and
- No other fixtures or obstructions located within required water closet clearance (section 604.3).

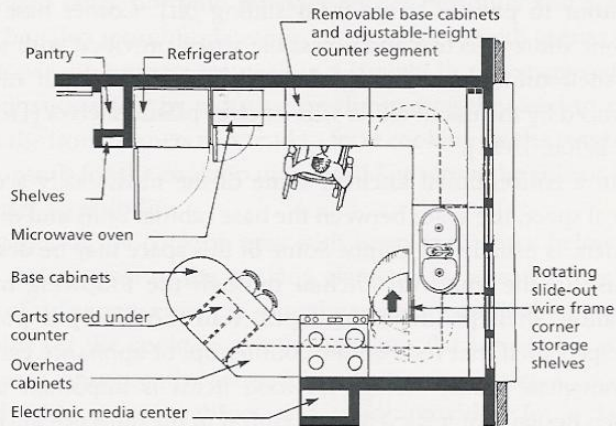
The following accessible features are provided in the living area:

- T-shaped turning space (section 304.3.2);
- Accessible route (section 402);
- Clear floor space between beds (section 806.2.3);
- Maneuvering clearances at all doors (section 404.2);
- Accessible operable window (section 309); and
- Accessible controls for the heat and air conditioning (section 309).

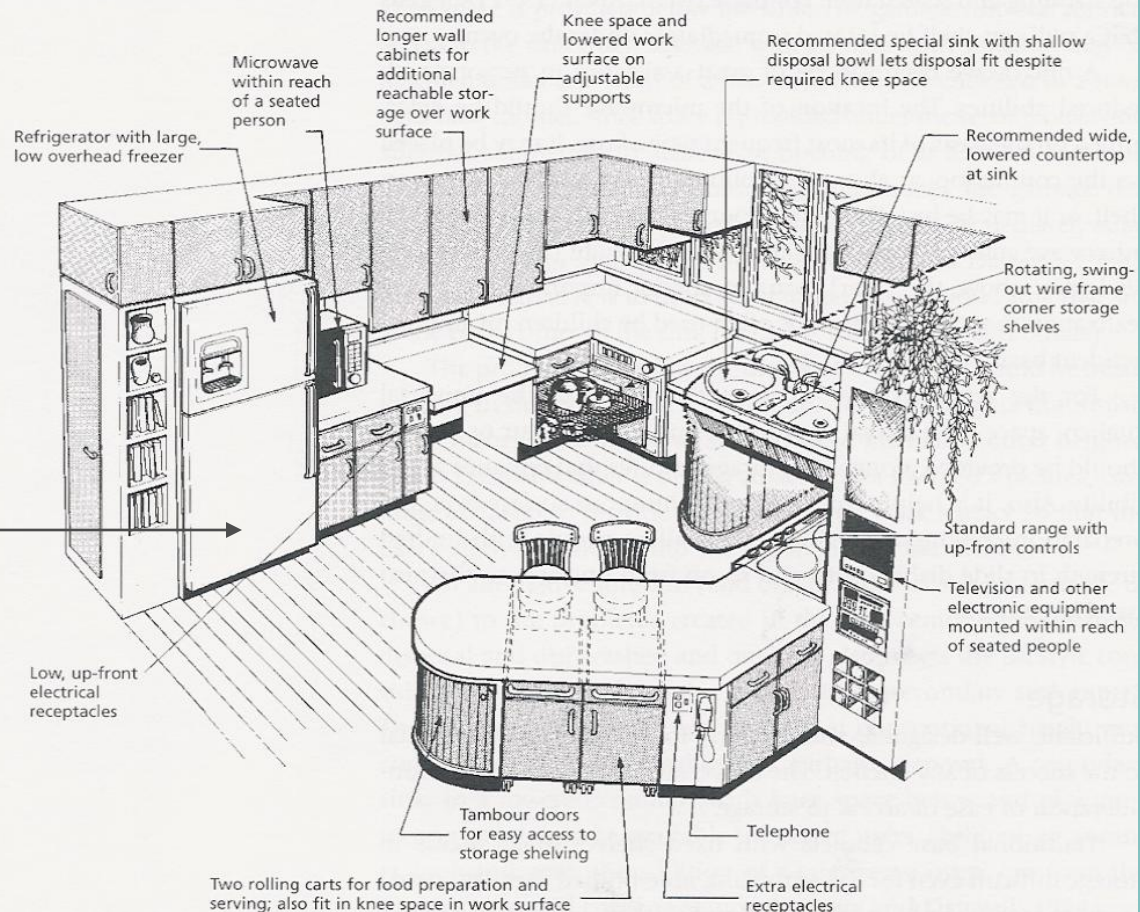
12' Hotel/Motel Example

Special Rooms and Spaces

Kitchens & Kitchenettes



Side by side refrigerator is better



Special Rooms and Spaces

Kitchens & Kitchenettes

NEW 804.3 One work surface at least 30" long by 34" high for forward approach or a variable height counter ranging from 29" - 36" high

804.6.1 Clear floor space at all appliances

NEW 804.4 Sinks complying with lavatory clearances and heights (forward approach)

804.6.3 Clear floor space adjacent to the dishwasher but not in the sink floor space

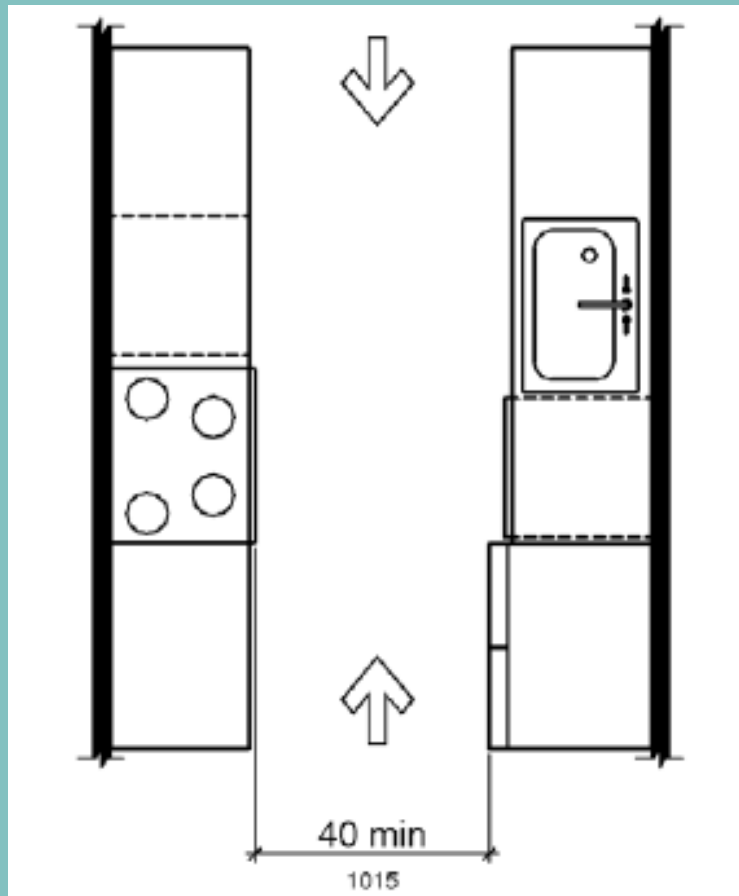
804.6.5 Side hinged ovens with required counter on latch side or bottom hinged ovens with required counter on either side



Exception: If no range or cook top, parallel approach ok at sink.

Special Rooms and Spaces

Kitchens & Kitchenettes

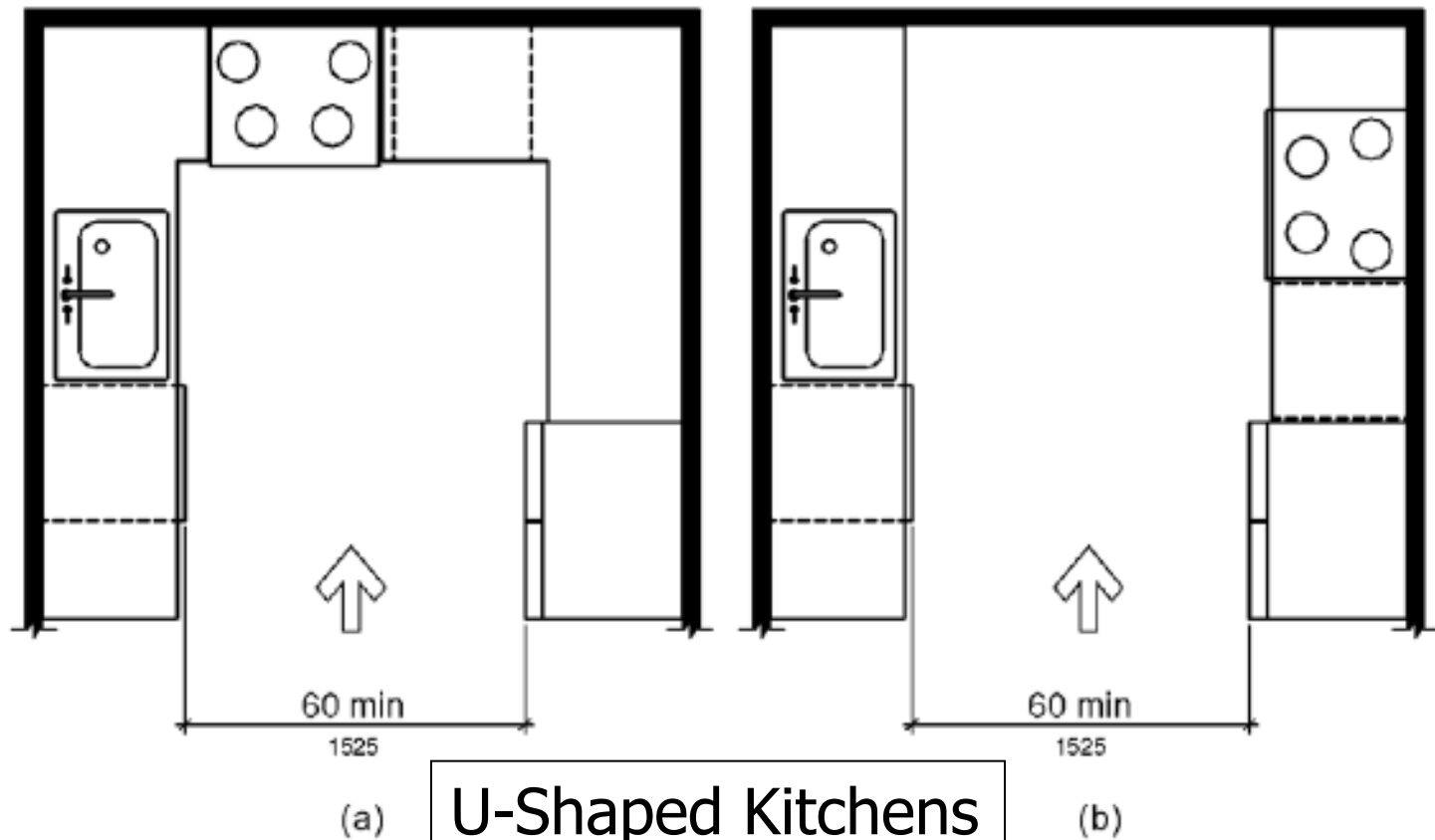


Pass Through Kitchens only require 40" of clear width. If there is no cook top or stove. It can be reduced to 36". (allowed but not suggested)

Figure 804.2.1

Special Rooms and Spaces

Kitchens & Kitchenettes



Residential Building Elements Overview

Residential Units Required to have Mobility Features

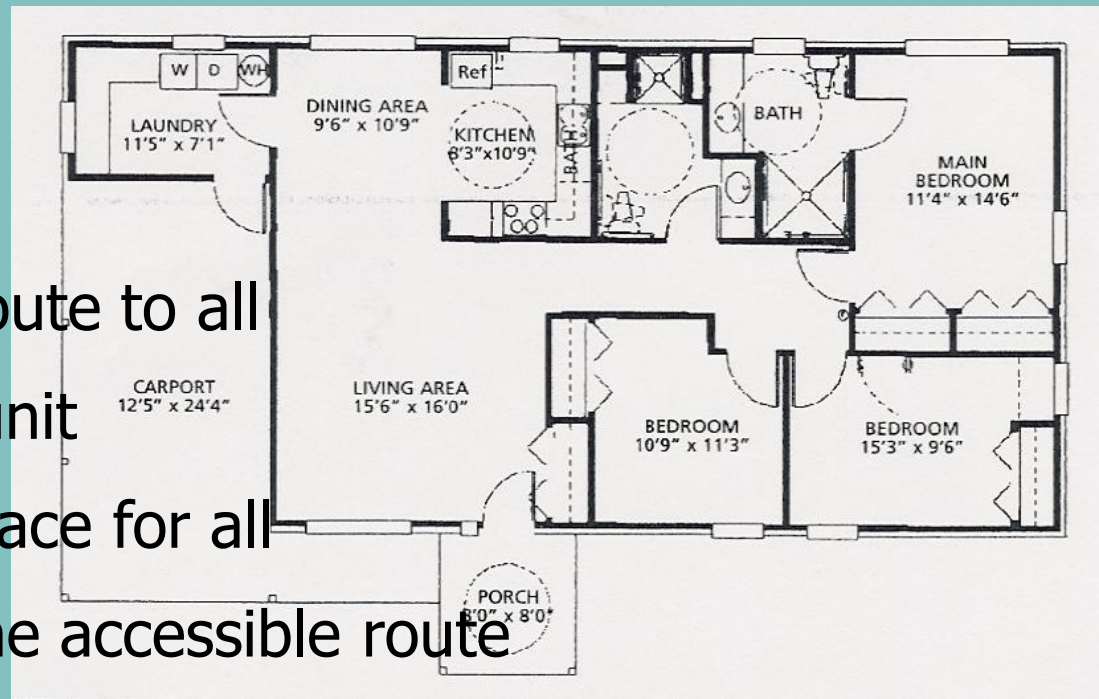
206.4.6 Accessible entrance

809.2 Accessible route to all parts of the dwelling unit

809.2.2 Turning space for all rooms connected to the accessible route

809.3 Accessible kitchen

809.4 One accessible bathroom with toilet, sink, tub or shower



Built-in Elements

Sales/Service cont.

NEW

904.4.1 Parallel Approach: Counter height 36" high max. and 36" long minimum

904.4.2 Forward Approach: Counter height 36" high max. and 30" long minimum, with appropriate knee/toe space.



EXCEPTION: Where the selling space is under 5000 square feet (465 m²) no more than one check-out aisle complying with 904.3 shall be required.

**TABLE 227.2
CHECK-OUT AISLES**

Number of Check-Out Aisles of Each Function	Minimum Number of Check-Out Aisles of Each Function Required to Comply with 904.3
1 to 4	1
5 to 8	2
9 to 15	3
16 and over	3, plus 20 percent of additional aisles

Built-in Elements

Sales/Service

Checkout Aisle Counters

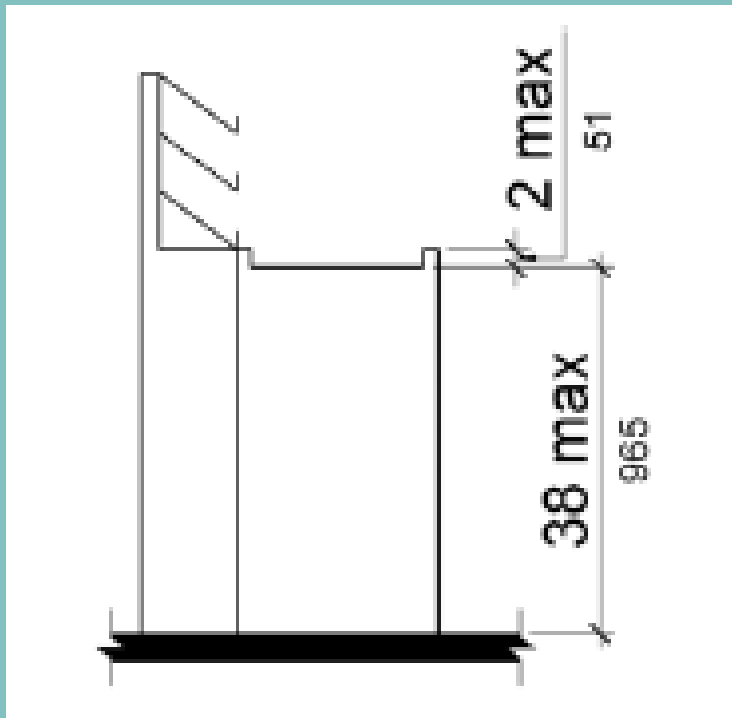


Figure 904.3.2

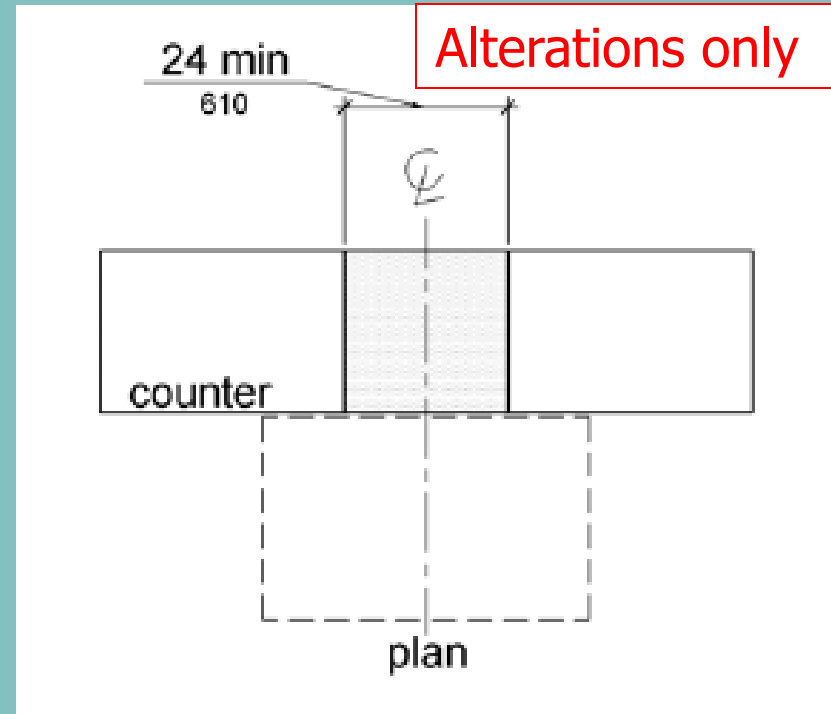
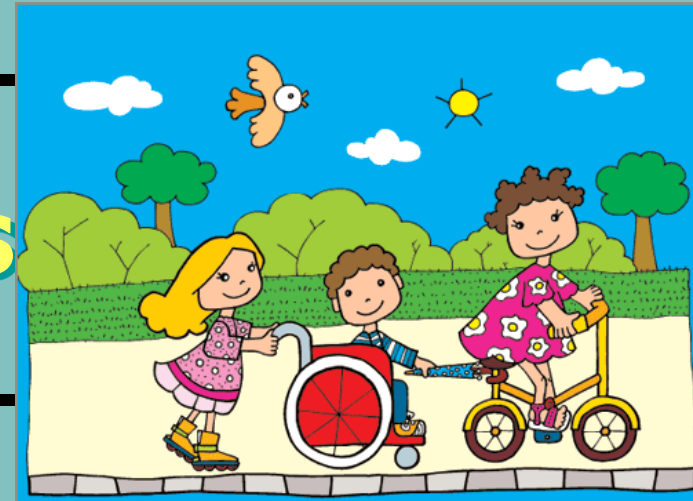


Figure 904.4

Children's Guidelines

Toilet Rooms

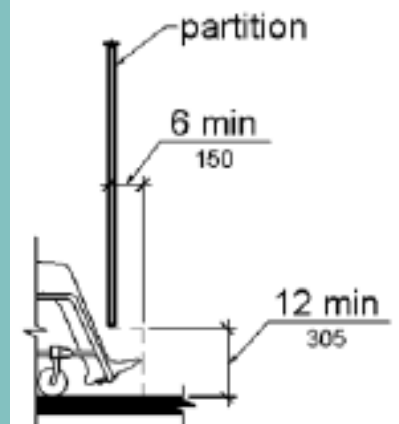


Water Closets, Grab Bars, Dispenser Height

Advisory 604.9 Water Closets and Toilet Compartments for Children's Use. The requirements in 604.9 are to be followed where the exception for children's water closets in 604.1 is used. The following table provides additional guidance in applying the specifications for water closets for children according to the age group served and reflects the differences in the size, stature, and reach ranges of children ages 3 through 12. The specifications chosen should correspond to the age of the primary user group. The specifications of one age group should be applied consistently in the installation of a water closet and related elements.

Advisory Specifications for Water Closets Serving Children Ages 3 through 12

	Ages 3 and 4	Ages 5 through 8	Ages 9 through 12
Water Closet Centerline	12 inches (305 mm)	12 to 15 inches (305 to 380 mm)	15 to 18 inches (380 to 455 mm)
Toilet Seat Height	11 to 12 inches (280 to 305 mm)	12 to 15 inches (305 to 380 mm)	15 to 17 inches (380 to 430 mm)
Grab Bar Height	18 to 20 inches (455 to 510 mm)	20 to 25 inches (510 to 635 mm)	25 to 27 inches (635 to 685 mm)
Dispenser Height	14 inches (355 mm)	14 to 17 inches (355 to 430 mm)	17 to 19 inches (430 to 485 mm)



(b)
elevation
children

Toilet Partition Toe Space

Children's Guidelines

Toilet Rooms

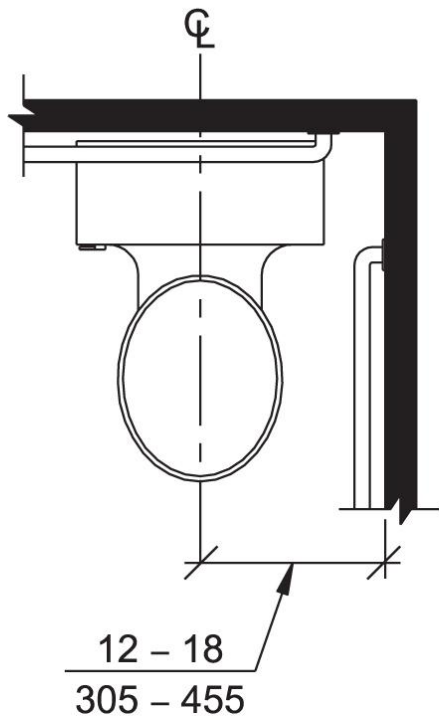


Fig. 604.10.2
Children's Water Closet Location

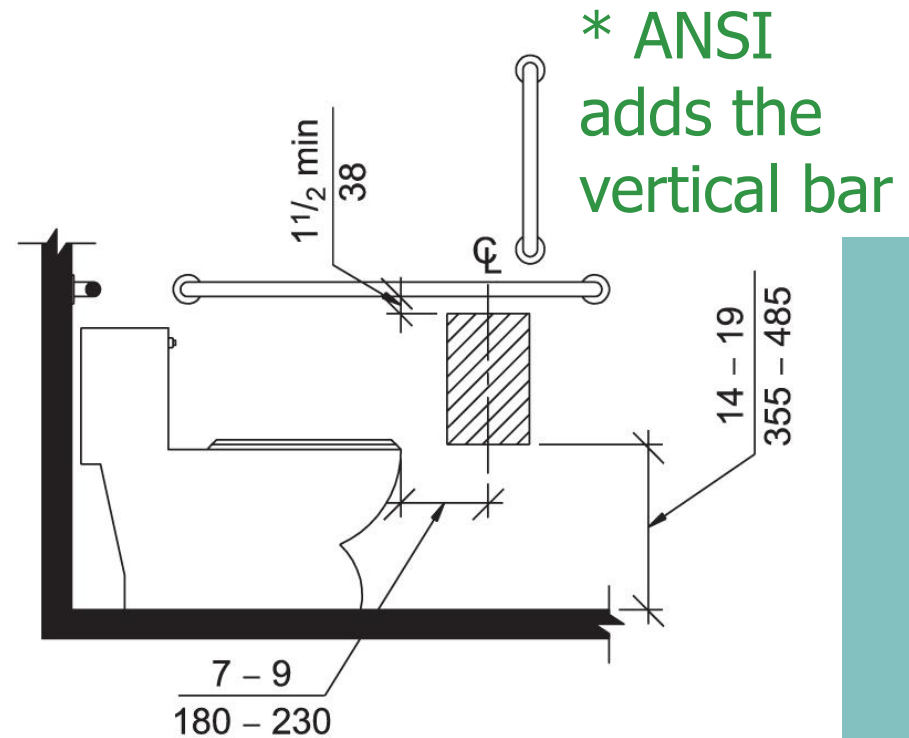


Fig. 604.10.7
Children's Dispenser Location

Children's Guidelines

Handrails/Lavatories/Tables

- ❑ **505.4 Adv.** Handrails at Ramps and Stairs: When children are the primary users of a space, a second handrail at a maximum height of 28" with at least 9" between the top and second handrail is recommended.
- ❑ **606.2** Lavatories: A parallel approach is permitted at lavatories for children 5 years old and younger.
- ❑ **902.4.2** Dining and Work Surfaces: Table tops and counters shall be 26" – 30" above the floor. Knee clearance to 24" is permitted.

Children's Guidelines

Reach Ranges



White House photo by Paul Morse

Advisory 308.1 General. The following table provides guidance on reach ranges for children according to age where building elements such as coat hooks, lockers, or operable parts are designed for use primarily by children. These dimensions apply to either forward or side reaches. Accessible elements and operable parts designed for adult use or children over age 12 can be located outside these ranges but must be within the adult reach ranges required by 308.

Children's Reach Ranges			
Forward or Side Reach	Ages 3 and 4	Ages 5 through 8	Ages 9 through 12
High (maximum)	36 in (915 mm)	40 in (1015 mm)	44 in (1120 mm)
Low (minimum)	20 in (510 mm)	18 in (455 mm)	16 in (405 mm)

Bibliography

2012 Florida Accessibility Code for Building Construction

ADA Standards 2010

Americans with Disabilities Act, July 23, 2004

<http://www.access-board.gov/ada-aba/index.htm>

Americans with Disabilities Act, July 26, 1990

American National Standards Institute A117.1 1998, 2003, and 2009

Fair Housing Act, June 15, 1990

<http://www.hud.gov/offices/fheo/disabilities/fhefhag.cfm>

Bibliography Continued

Photographs and Images

www.accessforblind.org

<http://www.apcosigns.com/lrv.swf>

http://www.ap.buffalo.edu/idea/bright_idea/gallery/gallery.htm

<http://belgrade.usembassy.gov/press/2002/021009cartoon.html>

<http://208.179.83.100/Bobrick/BarrierFreeGuide/82455.pdf>

www.bradleycorp.com

<http://www.design.ncsu.edu/cud/>

http://www.easterseals.com/site/PageServer?pagename=ntlc_easyaccesshousing_tour

<http://www.ramfixture.com/subpage.html>

<http://www.universaldesignonline.com/pages/764807/index.htm>

<http://www.whitehouse.gov/president/gallery/photoessay/index.html>

http://www.zeeland.k12.mi.us/zpac/d_seatingpics.htm