

Fig. 11: View Of Surge Tank Outlet Hose & Surge Tank
Courtesy of GENERAL MOTORS COMPANY

1. Install the surge tank inlet hose (1) to the surge tank.
2. Position the surge tank inlet hose clamp to the surge tank.

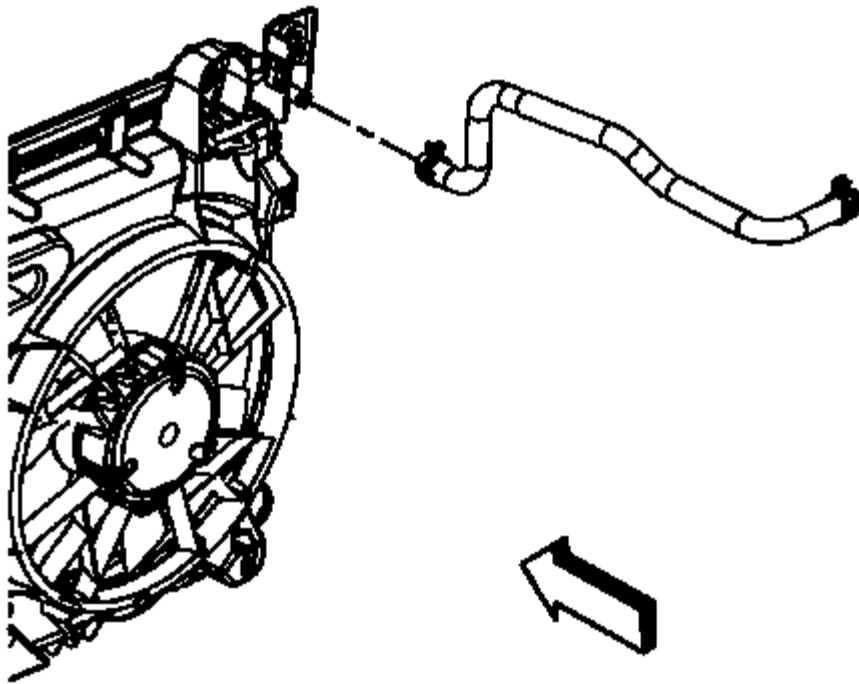


Fig. 12: View Of Surge Tank Inlet Hose & Clamps
Courtesy of GENERAL MOTORS COMPANY

3. Install the surge tank inlet hose to the radiator.
4. Position the surge tank inlet hose clamp to the radiator.
5. Fill the cooling system. Refer to **Cooling System Draining and Filling (Static Fill)**.

RADIATOR SURGE TANK INLET HOSE/PIPE REPLACEMENT (HP2)

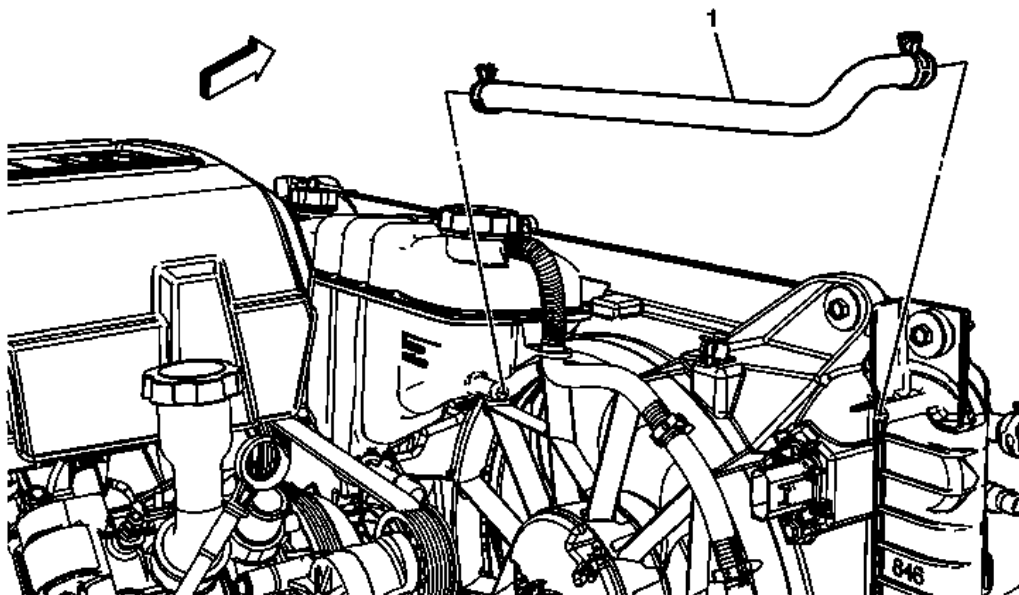


Fig. 13: Radiator Surge Tank Inlet Hose/Pipe (HP2)

Courtesy of GENERAL MOTORS COMPANY

Radiator Surge Tank Inlet Hose/Pipe Replacement (HP2)

Callout	Component Name
Preliminary Procedures Partially drain the cooling system. Refer to Cooling System Draining and Filling (Static Fill) .	
1	Radiator Surge Tank Inlet Hose/Pipe TIP: Using J 38185 hose clamp pliers , reposition the radiator surge tank inlet hose/pipe clamps. Special Tools J 38185 Hose Clamp Pliers

RADIATOR SURGE TANK OUTLET HOSE/PIPE REPLACEMENT (HP2)

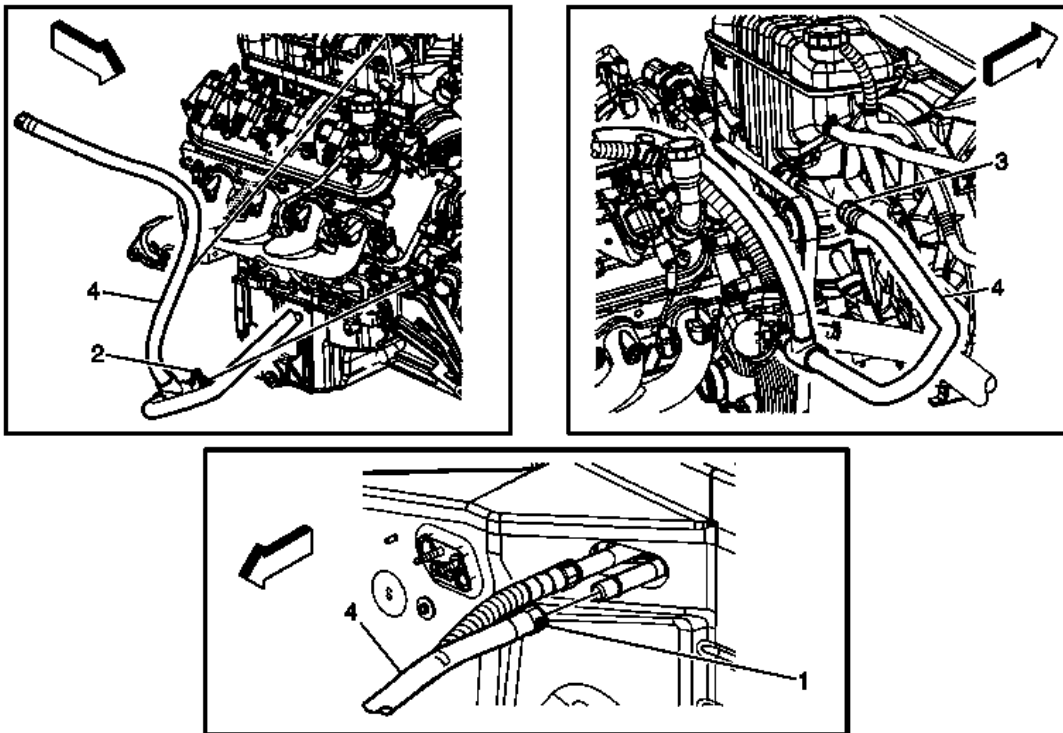


Fig. 14: Radiator Surge Tank Outlet Hose/Pipe (HP2)

Courtesy of GENERAL MOTORS COMPANY

Radiator Surge Tank Outlet Hose/Pipe Replacement (HP2)

Callout	Component Name
<p>Preliminary Procedure</p> <ol style="list-style-type: none"> 1. Drain the cooling system. Refer to Cooling System Draining and Filling (Static Fill). 2. Remove the upper intake manifold sight shield. Refer to Upper Intake Manifold Sight Shield Replacement. 3. Remove the air cleaner. Refer to AIR CLEANER ASSEMBLY REPLACEMENT. 4. Remove the air cleaner resonator outlet duct. Refer to AIR CLEANER RESONATOR OUTLET DUCT REPLACEMENT. 	
<p>1</p>	<p>Radiator Surge Tank Outlet Hose Quick Disconnect</p> <p>Procedure</p> <ol style="list-style-type: none"> 1. Squeeze the plastic retainer release tabs and pull the connection apart. 2. The joint should audibly click upon reassembly and the technician should pull back on the joint to ensure it is engaged properly.
<p>2</p>	<p>Radiator Surge Tank Outlet Hose Clamp</p> <p>Procedure</p> <p>Using J 38185 hose clamp pliers , reposition the radiator surge tank outlet hose clamps.</p> <p>Special Tools</p>

	J 38185 Hose Clamp Pliers
3	Radiator Surge Tank Outlet Hose Quick Disconnect Procedure 1. Squeeze the plastic retainer release tabs and pull the connection apart. 2. The joint should audibly click upon reassembly and the technician should pull back on the joint to ensure it is engaged properly.
4	Radiator Surge Tank Outlet Hose TIP: Radiator surge tank outlet hose and the heater outlet hose are molded as one hose.

RADIATOR SURGE TANK OUTLET HOSE/PIPE REPLACEMENT (5.3L, 6.2L)

Special Tools

J 43181 Heater Line Quick Connect Release Tool

Removal Procedure

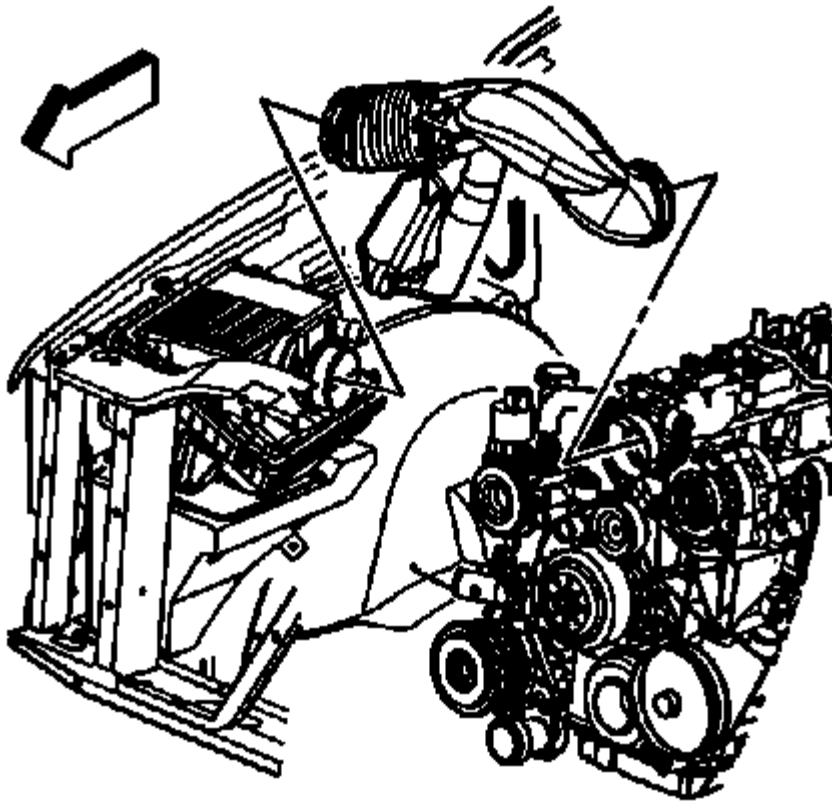


Fig. 15: View Of Air Cleaner Outlet Duct

Courtesy of GENERAL MOTORS COMPANY

1. Drain the cooling system. Refer to **Cooling System Draining and Filling (Static Fill)**.
2. Loosen the air cleaner outlet duct clamps at the following locations:
 - Throttle body
 - Mass airflow/intake air temperature (MAF/IAT) sensor
3. Remove the air cleaner outlet duct.

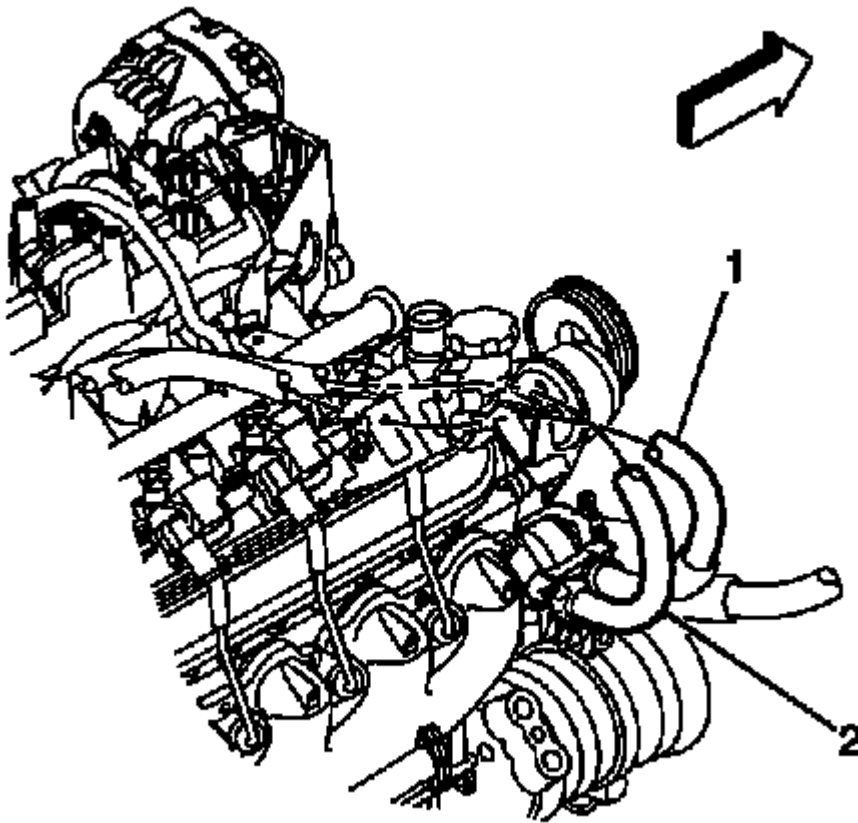


Fig. 16: View Of Surge Tank/Heater Outlet Hose To Mounting Clip (W/O RPO C36)
Courtesy of GENERAL MOTORS COMPANY

4. If equipped without regular production option (RPO) C36 auxiliary heater, remove the surge tank/heater outlet hose (1) from the mounting clip.