



# 2014 MURANO

OWNER'S MANUAL

For your safety, read carefully and keep in this vehicle.

# Foreword

Welcome to the growing family of new NISSAN owners. This vehicle is delivered to you with confidence. It was produced using the latest techniques and strict quality control.

This manual was prepared to help you understand the operation and maintenance of your vehicle so that you may enjoy many miles of driving pleasure. Please read through this manual before operating your vehicle.

**A separate Warranty Information Booklet explains details about the warranties covering your vehicle. The NISSAN Service and Maintenance Guide explains details about maintaining and servicing your vehicle. Additionally, a separate Customer Care/Lemon Law Booklet (U.S. only) will explain how to resolve any concerns you may have with your vehicle, as well as clarify your rights under your state's lemon law.**

In addition to factory installed options, your vehicle may also be equipped with additional accessories installed by NISSAN or by your NISSAN dealer prior to delivery. It is important that you familiarize yourself with all disclosures, warnings, cautions and instructions concerning proper use of such accessories prior to operating the vehicle and/or accessory. See a NISSAN dealer for details concerning the particular

accessories with which your vehicle is equipped.

Your NISSAN dealer knows your vehicle best. When you require any service or have any questions, we will be glad to assist you with the extensive resources available to us.

## READ FIRST — THEN DRIVE SAFELY

Before driving your vehicle, read your Owner's Manual carefully. This will ensure familiarity with controls and maintenance requirements, assisting you in the safe operation of your vehicle.



## WARNING

### IMPORTANT SAFETY INFORMATION REMINDERS FOR SAFETY!

Follow these important driving rules to help ensure a safe and comfortable trip for you and your passengers!

- **NEVER** drive under the influence of alcohol or drugs.
- **ALWAYS** observe posted speed limits and never drive too fast for conditions.
- **ALWAYS** give your full attention to driving and avoid using vehicle features or taking other actions that

could distract you.

- **ALWAYS** use your seat belts and appropriate child restraint systems. Pre-teen children should be seated in the rear seat.
- **ALWAYS** provide information about the proper use of vehicle safety features to all occupants of the vehicle.
- **ALWAYS** review this Owner's Manual for important safety information.

## ON-PAVEMENT AND OFF-ROAD DRIVING

This vehicle will handle and maneuver differently from an ordinary passenger car because it has a higher center of gravity. As with other vehicles with features of this type, failure to operate this vehicle correctly may result in loss of control or an accident. Be sure to read "On-pavement and off-road driving precautions", "Avoiding collision and roll-over" and "Driving safety precautions" in the "5. Starting and driving" section of this manual.



## MODIFICATION OF YOUR VEHICLE

**This vehicle should not be modified. Modification could affect its performance, safety or durability, and may even violate governmental regulations. In addition, damage or performance problems resulting from modification may not be covered under NISSAN warranties.**

## WHEN READING THE MANUAL

**This manual includes information for all options available on this model. Therefore, you may find some information that does not apply to your vehicle.**

All information, specifications and illustrations in this manual are those in effect at the time of printing. NISSAN reserves the right to change specifications or design at any time without notice.

## IMPORTANT INFORMATION ABOUT THIS MANUAL

You will see various symbols in this manual. They are used in the following ways:



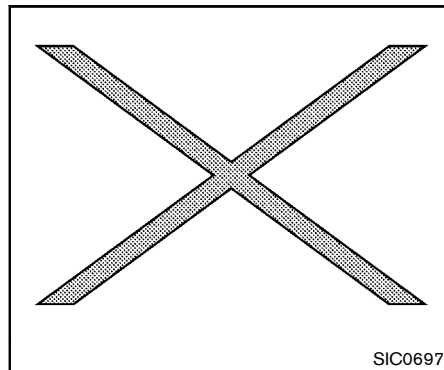
### WARNING

**This is used to indicate the presence of a hazard that could cause death or serious personal injury. To avoid or reduce the risk, the procedures must be followed precisely.**



### CAUTION

**This is used to indicate the presence of a hazard that could cause minor or moderate personal injury or damage to your vehicle. To avoid or reduce the risk, the procedures must be followed carefully.**



SIC0697

If you see the symbol above, it means **“Do not do this”** or **“Do not let this happen”**.



If you see a symbol similar to those above in an illustration, it means the arrow points to the front of the vehicle.



Arrows in an illustration that are similar to those above indicate movement or action.



Arrows in an illustration that are similar to those

above call attention to an item in the illustration.

## CALIFORNIA PROPOSITION 65 WARNING



**Engine exhaust, some of its constituents, and certain vehicle components contain or emit chemicals known to the State of California to cause cancer and birth defects or other reproductive harm. In addition, certain fluids contained in vehicles and certain products of component wear contain or emit chemicals known to the State of California to cause cancer and birth defects or other reproductive harm.**

## CALIFORNIA PERCHLORATE ADVISORY

**Some vehicle parts, such as lithium batteries, may contain perchlorate material. The following advisory is provided: "Perchlorate Material - special handling may apply, See [www.dtsc.ca.gov/hazardouswaste/perchlorate](http://www.dtsc.ca.gov/hazardouswaste/perchlorate)."**



Bluetooth® is a trademark owned by Bluetooth SIG, Inc. and licensed to Visteon Corporation and Clarion Co., Ltd.



SiriusXM Satellite Radio requires subscription, sold separately. Not available in Alaska, Hawaii or Guam. For more information, visit [www.siriusxm.com](http://www.siriusxm.com).

© 2012 NISSAN MOTOR CO., LTD.

All rights reserved. No part of this Owner's Manual may be reproduced or stored in a retrieval system, or transmitted in any form, or by any means, electronic, mechanical, photocopying, recording or otherwise, without the prior written permission of Nissan Motor Co., Ltd.

## **NISSAN CUSTOMER CARE PROGRAM**

### **NISSAN CARES ...**

Both NISSAN and your NISSAN dealer are dedicated to serving all your automotive needs. Your satisfaction with your vehicle and your NISSAN dealer are our primary concerns. Your NISSAN dealer is always available to assist you with all your automobile sales and service needs.

However, if there is something that your NISSAN dealer cannot assist you with or you would like to provide NISSAN directly with comments or questions, please contact the NISSAN Consumer Affairs Department using our toll-free number:

**For U.S. customers**

**1-800-NISSAN-1**

**(1-800-647-7261)**

**For Canadian customers**

**1-800-387-0122**

The Consumer Affairs Department will ask for the following information:

- Your name, address, and telephone number
- Vehicle identification number (attached to the top of the instrument panel on the driver's side)
- Date of purchase
- Current odometer reading
- Your NISSAN dealer's name
- Your comments or questions

OR

You can write to NISSAN with the information at:

**For U.S. customers**

**Nissan North America, Inc.**

**Consumer Affairs Department**

**P.O. Box 685003**

**Franklin, TN 37068-5003**

**or via e-mail at:**

**[nnaconsumeraffairs@nissan-usa.com](mailto:nnaconsumeraffairs@nissan-usa.com)**

**For Canadian customers**

**Nissan Canada Inc.**

**5290 Orbitor Drive**

**Mississauga, Ontario L4W 4Z5**

**or via e-mail at:**

**[information.centre@nissancanada.com](mailto:information.centre@nissancanada.com)**

If you prefer, visit us at:

**[www.nissanusa.com](http://www.nissanusa.com)** (for U.S. customers) or

**[www.nissan.ca](http://www.nissan.ca)** (for Canadian customers)

We appreciate your interest in NISSAN and thank you for buying a quality NISSAN vehicle.



# Table of Contents

|   |           |
|---|-----------|
| <b>Illustrated table of contents</b>  | <b>0</b>  |
| <b>Safety — Seats, seat belts and supplemental restraint system</b>                 | <b>1</b>  |
| <b>Instruments and controls</b>   | <b>2</b>  |
| <b>Pre-driving checks and adjustments</b>   | <b>3</b>  |
| <b>Monitor, heater, air conditioner, audio, phone and voice recognition systems</b> | <b>4</b>  |
| <b>Starting and driving</b>   | <b>5</b>  |
| <b>In case of emergency</b>   | <b>6</b>  |
| <b>Appearance and care</b>  | <b>7</b>  |
| <b>Maintenance and do-it-yourself</b>   | <b>8</b>  |
| <b>Technical and consumer information</b>   | <b>9</b>  |
| <b>Index</b>  | <b>10</b> |

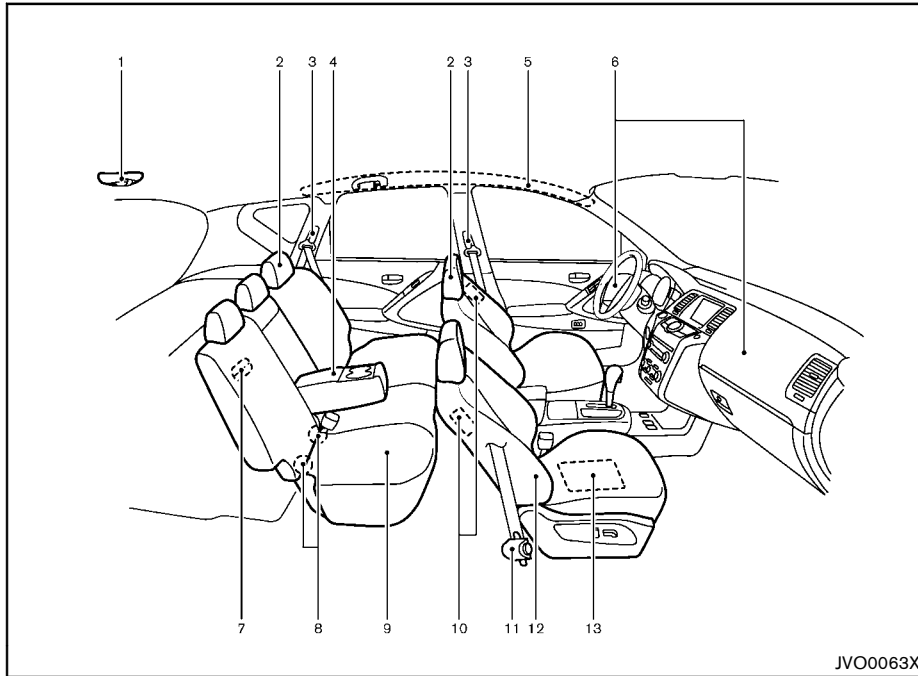




# 0 Illustrated table of contents

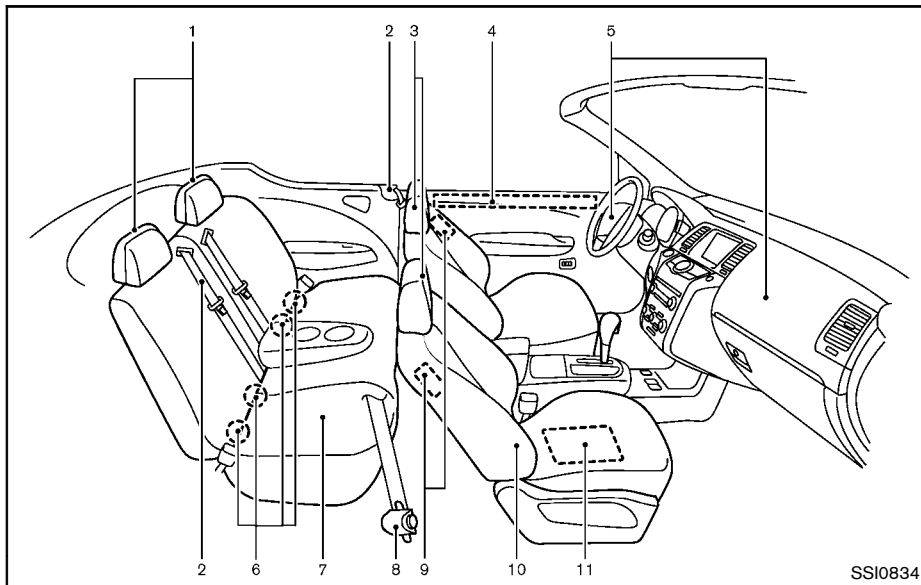
|   |     |                                    |      |
|---|-----|------------------------------------|------|
| Seats, seat belts and Supplemental Restraint System (SRS) ..... | 0-2 | Passenger compartment .....        | 0-8  |
| Hardtop models .....  | 0-2 | Hardtop models .....               | 0-8  |
| CrossCabriolet models .....                                     | 0-3 | CrossCabriolet models .....        | 0-9  |
| Exterior front .....  | 0-4 | Cockpit .....                      | 0-10 |
| Hardtop models .....  | 0-4 | Instrument panel .....             | 0-12 |
| CrossCabriolet models .....                                     | 0-5 | Meters and gauges .....            | 0-13 |
| Exterior rear .....   | 0-6 | Engine compartment .....           | 0-14 |
| Hardtop models .....  | 0-6 | VQ35DE engine .....                | 0-14 |
| CrossCabriolet models .....                                     | 0-7 | Warning and indicator lights ..... | 0-15 |

## SEATS, SEAT BELTS AND SUPPLEMENTAL RESTRAINT SYSTEM (SRS)



### HARDTOP MODELS

1. Rear center seat belt (P.1-23)
2. Head restraints (P.1-11)
  - Front-seat Active Head Restraints (P.1-14)
3. Seat belts (P.1-15)
4. Armrest (P.1-15)
5. Roof-mounted curtain side-impact and rollover supplemental air bags (P.1-46)
6. Supplemental front-impact air bags (P.1-46)
7. Child restraint anchor points (for top tether strap child restraint) (P.1-42)
8. LATCH (Lower Anchors and Tethers for Children) system (P.1-31)
9. Rear seats (P.1-9)
  - Child restraints (P.1-29)
10. Front seat-mounted side-impact supplemental air bags (P.1-46)
11. Seat belt pretensioner (P.1-59)
12. Front seats (P.1-3)
13. Occupant classification sensor (pattern sensor)
  - Advanced Air Bag System (P.1-52)

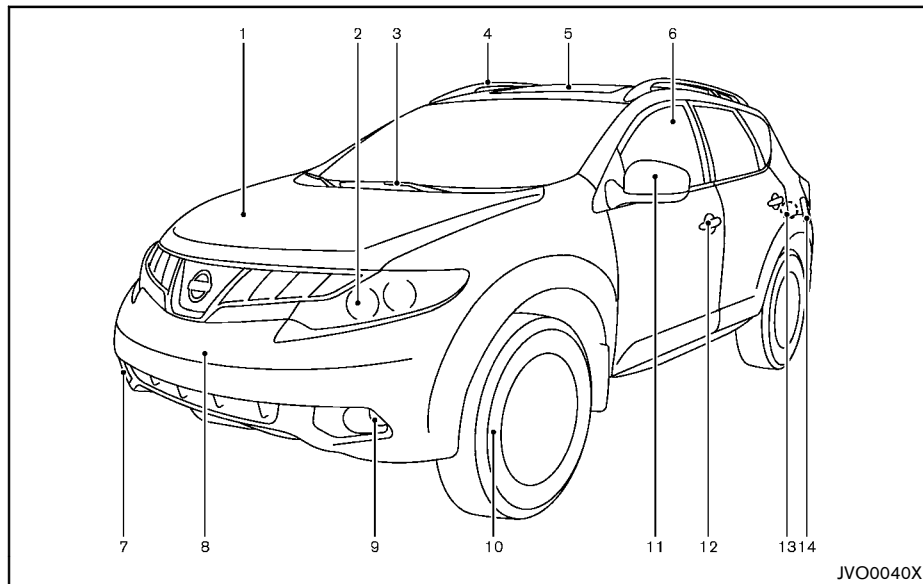


- 10. Front seats (P.1-3)
- 11. Occupant classification sensor (pattern sensor)
  - Advanced Air Bag System (P.1-52)

## CROSSCABRIOLET MODELS

- 1. Dual pop-up roll bar system (P.1-62)
- 2. Seat belts (P.1-15)
- 3. Head restraints (P.1-11)
  - Front-seat Active Head Restraints (P.1-14)
- 4. Door-mounted curtain side-impact and rollover supplemental air bags (P.1-46)
- 5. Supplemental front-impact air bags (P.1-46)
- 6. LATCH (Lower Anchors for CHildren) system (P.1-31)
- 7. Rear seats
  - Child restraints (P.1-29)
- 8. Seat belt pretensioner (P.1-59)
- 9. Front seat-mounted side-impact supplemental air bags (P.1-46)

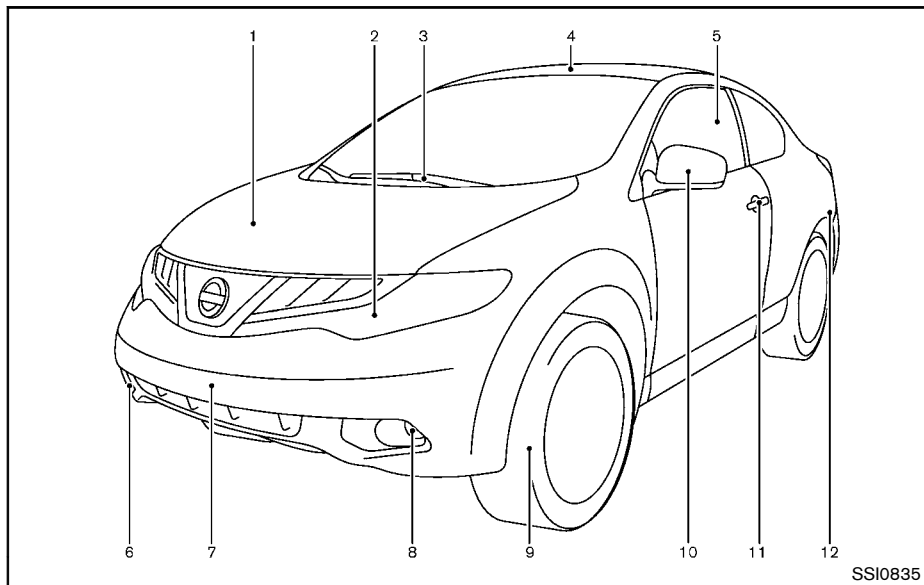
## EXTERIOR FRONT



### HARDTOP MODELS

1. Hood (P.3-20)
2. Headlight and turn signal lights
  - Switch operation (P.2-37)
  - Bulb replacement (P.8-27)
3. Windshield wiper and washer
  - Switch operation (P.2-32)
4. Roof rack (rail)\* (P.2-54)
5. Moonroof\* (P.2-58)
6. Power windows (P.2-55)
7. Recovery hook (P.6-22)
8. License plate installation (P.9-12)
9. Fog lights\*
  - Switch operation (P.2-41)
  - Bulb replacement (P.8-29)
10. Tires
  - Wheel and tires (P.8-32, P.9-7)
  - Flat tire (P.6-3)
  - Tire Pressure Monitoring System (TPMS) (P.2-14, P.5-4)
11. Outside mirrors (P.3-49)
12. Doors
  - Keys (P.3-3)
  - Door locks (P.3-5)
  - Intelligent Key system (P.3-8)
  - Security system (P.2-29)
13. Child safety rear door lock (P.3-8)
14. Fuel-filler door
  - Operation (P.3-44)
  - Fuel recommendation (P.9-3)

- \*: if so equipped

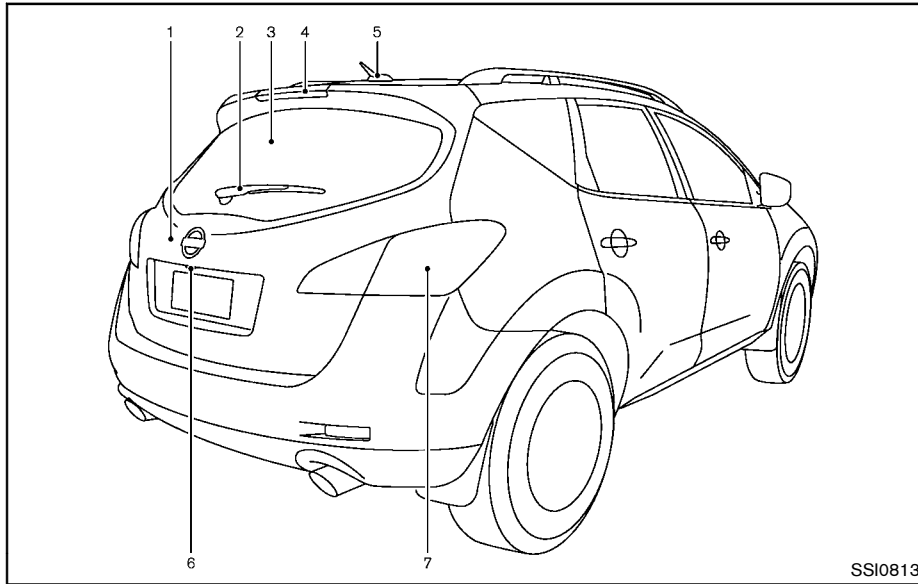


## CROSSCABRIOLET MODELS

- |  |  |
|--|--|
| <ol style="list-style-type: none"> <li>1. Hood (P.3-20)</li> <li>2. Headlight and turn signal lights             <ul style="list-style-type: none"> <li>— Switch operation (P.2-37)</li> <li>— Bulb replacement (P.8-27)</li> </ul> </li> <li>3. Windshield wiper and washer             <ul style="list-style-type: none"> <li>— Switch operation (P.2-32)</li> </ul> </li> </ol> | <ul style="list-style-type: none"> <li>— Blade replacement (P.8-18)</li> <li>— Window washer fluid (P.8-13)</li> </ul> <ol style="list-style-type: none"> <li>4. Soft top (P.3-28)</li> <li>5. Power windows (P.2-55)</li> <li>6. Recovery hook (P.6-22)</li> <li>7. License plate installation (P.9-12)</li> <li>8. Fog lights</li> </ol> |
|--|--|

- Switch operation (P.2-41)
  - Bulb replacement (P.8-29)
9. Tires
    - Wheel and tires (P.8-32, P.9-7)
    - Flat tire (P.6-3)
    - Tire Pressure Monitoring System (TPMS) (P.2-14, P.5-4)
  10. Outside mirrors (P.3-49)
  11. Doors
    - Keys (P.3-3)
    - Door locks (P.3-5)
    - Intelligent Key system (P.3-8)
    - Security system (P.2-29)
  12. Fuel-filler door
    - Operation (P.3-44)
    - Fuel recommendation (P.9-3)

## EXTERIOR REAR



### HARDTOP MODELS

1. Lift gate (P.3-20)
  - Remote keyless entry system (P.3-16)
  - Intelligent Key system (P.3-8)
2. Rear window wiper and washer
  - Switch operation (P.2-35)
  - Window washer fluid (P.8-13)
3. Rear window defroster (P.2-36)
4. High-mounted stop light (P.8-29)
5. Antenna (P.4-87)
  - Satellite radio antenna\* (P.4-47)
6. Rear view camera\*
  - RearView monitor\* (P.4-23)
  - Rear and rear-wide view monitor with Moving

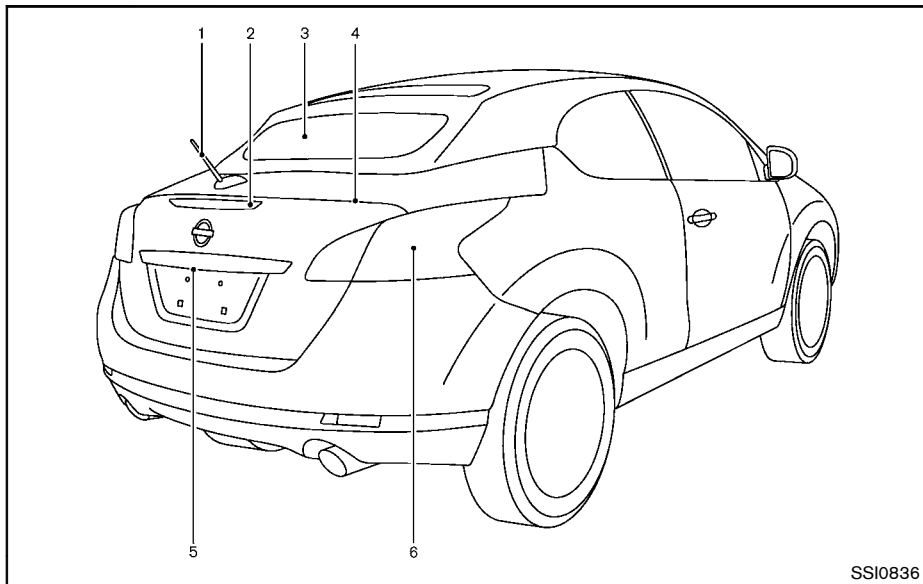
Object Detection (MOD)\* (P.4-30)

- Lane Departure Warning (LDW) system\* (P.5-20)
- Blind Spot Warning (BSW) system\* (P.5-20)

7. Rear combination light
  - Bulb replacement (P.8-29)

\*: if so equipped

SSI0813



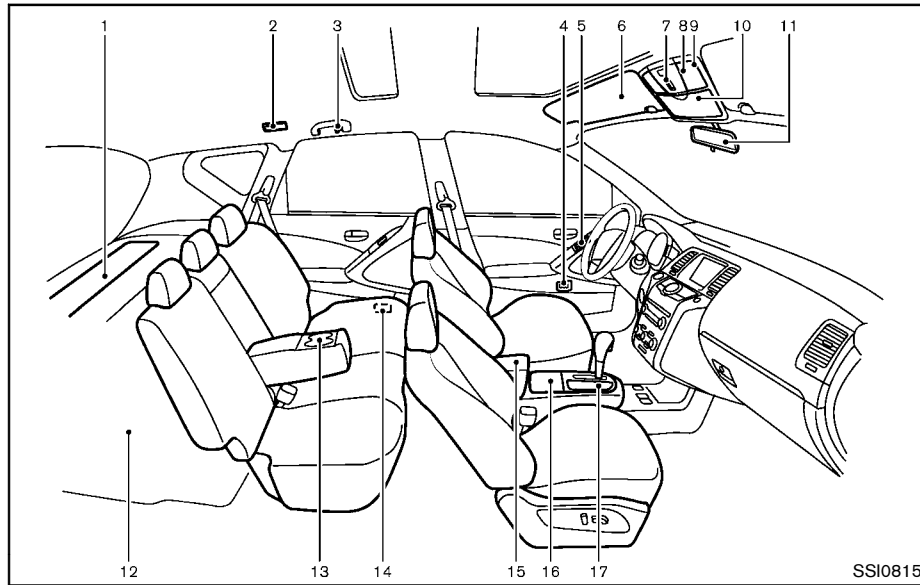
SSI0836

## CROSSCABRIOLET MODELS

1. Antenna (P.4-87)
  - Satellite radio antenna (P.4-47)
2. High-mounted stop light (P.8-29)
3. Rear window defroster (P.2-36)
4. Trunk (P.3-25)
  - Remote keyless entry system (P.3-16)
  - Intelligent Key system (P.3-8)
5. Rear view camera (P.4-23)
6. Rear combination light
  - Bulb replacement (P.8-29)



## PASSENGER COMPARTMENT

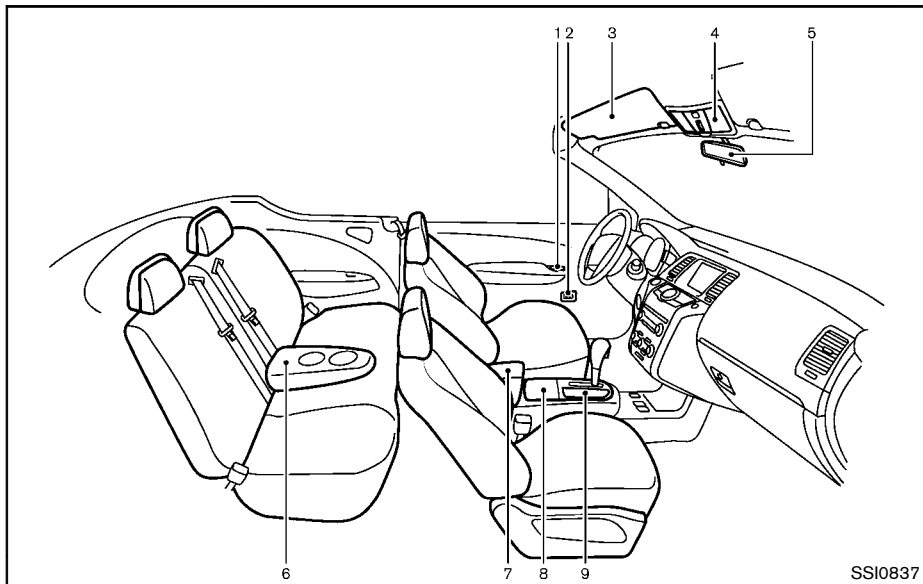


### HARDTOP MODELS

1. Cargo cover\* (P.2-52)
2. Rear personal light (P.2-60)
3. Coat hooks (P.2-55)
4. Automatic drive positioner switch\* (P.3-51)
5. Door armrest
  - Power window switch (P.2-55)

- Power door lock switch (P.3-7)
- Outside mirror remote control switch (P.3-49)
- 6. Sun visors (P.3-47)
- 7. Moonroof\* (P.2-58)
- 8. Front map lights (P.2-60)
- 9. Mood light (P.2-62)

10. Sunglasses holder (P.2-48)
  11. Inside rearview mirror (P.3-48)
    - HomeLink® universal transceiver\* (P.2-63)
    - Compass\* (P.2-8)
  12. Cargo area
    - Storages (P.2-50)
    - Luggage hooks (P.2-53)
    - Cargo light (P.2-63)
    - Spare tire (P.6-5)
  13. Rear cup holders (P.2-47)
  14. Heated seat switch (rear)\* (P.2-42)
  15. Console box (P.2-49)
    - Power outlet (P.2-45)
    - Auxiliary input jacks\* (P.4-83)
    - iPod® connector\* (P.4-81)
    - USB connector\* (P.4-72)
  16. Front cup holders (P.2-47)
  17. Storage box\* (P.2-50) or Cigarette lighter/Ashtray\* (P.2-46)
- \*: if so equipped



SSI0837

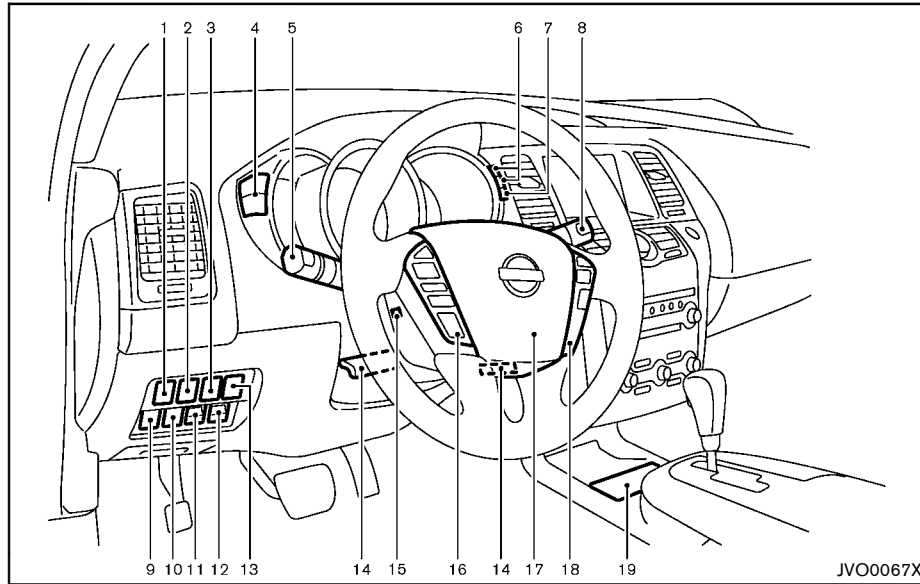
## CROSSCABRIOLET MODELS

1. Door armrest
  - Power window switch (P.2-55)
  - Power door lock switch (P.3-7)
  - Outside mirror remote control switch (P.3-49)
2. Automatic drive positioner switch (P.3-51)

3. Sun visors (P.3-47)
4. Front map lights (P.2-60)
5. Inside rearview mirror (P.3-48)
  - HomeLink® universal transceiver (P.2-63)
  - Compass\* (P.2-8)
6. Rear cup holders (P.2-47)
7. Console box (P.2-49)

- Power outlet (P.2-45)
  - Auxiliary input jacks (P.4-83)
  - iPod® connector (P.4-81)
  - USB connector (P.4-72)
8. Front cup holders (P.2-47)
  9. Storage box (P.2-50)
- \*: if so equipped

## COCKPIT

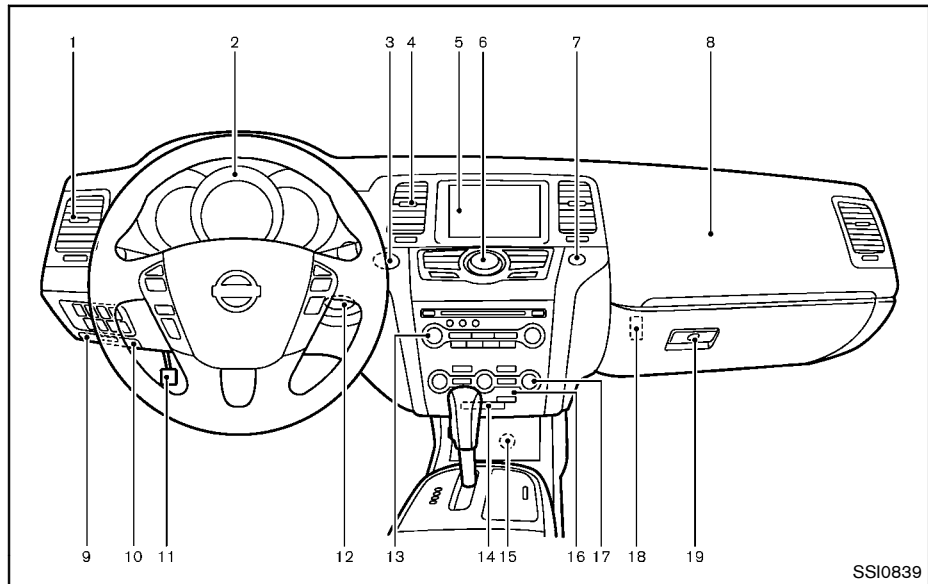


- |  |   |  |
|--|---|--|
| 1. Heated steering wheel switch* (P.2-41)  | — Blind Spot Warning (BSW) system* (P.5-20)   | 7. TRIP/RESET switch (P.2-6)   |
| 2. Power lift gate switch* (Hardtop models) (P.3-20) or trunk lid release switch (Cross-Cabriolet models) (P.3-25) | 4. Instrument brightness control switch (P.2-40)  | 8. Wiper and washer switch (P.2-32)  |
| 3. Warning systems switch* (P.2-43)<br>— Lane Departure Warning (LDW) system* (P.5-20)                             | 5. Headlight, fog light and turn signal switch<br>— Headlight (P.2-37)<br>— Turn signal light (P.2-40)<br>— Fog light* (P.2-41) | 9. Vehicle Dynamic Control (VDC) off switch (P.2-44, P.5-39)   |
|  | 6. Trip computer switch (P.2-25)  | 10. Power lift gate main switch* (Hardtop models) (P.3-20) or All-Wheel Drive (AWD) LOCK switch (CrossCabriolet models) (P.5-33)   |
|  |   | 11. Power rear seatback switch* (Hardtop models) (P.1-9)   |
|  |   | 12. Power rear seatback switch* (Hardtop models) (P.1-9) or Remote walk-in switch (CrossCabriolet models) (P.1-7)  |
|  |   | 13. Fuel-filler door opener switch (P.3-44)  |
|  |   | 14. Manual tilting/telescopic steering wheel lever* (P.3-46)   |
|  |   | 15. Electric tilting/telescopic steering wheel switch* (P.3-47)  |
|  |   | 16. Steering-wheel-mounted controls (left side)*<br>— Audio control* (P.4-86)<br>— Bluetooth® Hands-Free Phone System control (models with navigation system)* (P.4-88)<br>— Bluetooth® Hands-Free Phone System control (models without navigation system)* (P.4-99) |
|  |   | 17. Steering wheel<br>— Horn (P.2-41)<br>— Driver supplemental air bag (P.1-46)<br>— Power steering system (P.5-37)  |
|  |   | 18. Steering-wheel-mounted controls (right side)<br>— Cruise control switches (P.5-30)   |
|  |   | 19. Center-console mounted controls  |

- Heated seat switches\* (P.2-42)
- All-Wheel Drive (AWD) LOCK switch\* (Hardtop models) (P.5-33)
- Soft top operating switch (CrossCabriolet models) (P.3-28)

\*: if so equipped

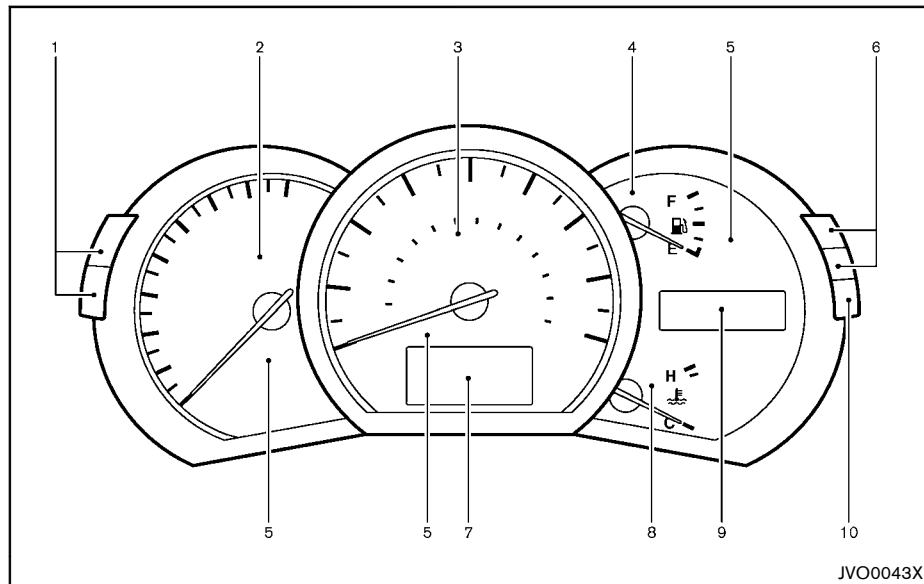
## INSTRUMENT PANEL



1. Side ventilator (P.4-40)
2. Meters and gauges (P.2-5)
3. Push-button ignition switch (P.5-11)
4. Center ventilator (P.4-40)
5. Center display
  - Center color display\* (P.4-3)
  - Navigation system\*\*
6. Heater/air conditioner control (P.4-41) or Center multi-function control panel\* (P.4-3)
  - Navigation system\*\*
  - Vehicle information and setting buttons\* (P.4-9)
  - Bluetooth® Hands-Free Phone System (models with navigation system)\* (P.4-88)

- Bluetooth® Hands-Free Phone System (models without navigation system)\* (P.4-99)
7. Hazard warning flasher switch (P.6-2)
  8. Front passenger supplemental air bag (P.1-46)
  9. Hood release handle (P.3-20)
  10. Fuse box cover (P.8-21)
  11. Parking brake (P.5-19)
  12. Intelligent Key port (P.5-14)
  13. Audio system (P.4-46)
    - Clock\* (P.2-44)
  14. Front passenger air bag status light (P.1-54)
  15. Power outlet (P.2-45)
  16. Rear window and outside mirror\* defroster switch (P.2-36)
  17. Heater/air conditioner control (P.4-41) or Audio system (P.4-46)
  18. Trunk release power cancel switch (Cross-Cabriolet models) (P.3-26)
  19. Glove box (P.2-49)
- \*: if so equipped  
\*\*: Refer to the separate Navigation System Owner's Manual (if so equipped).

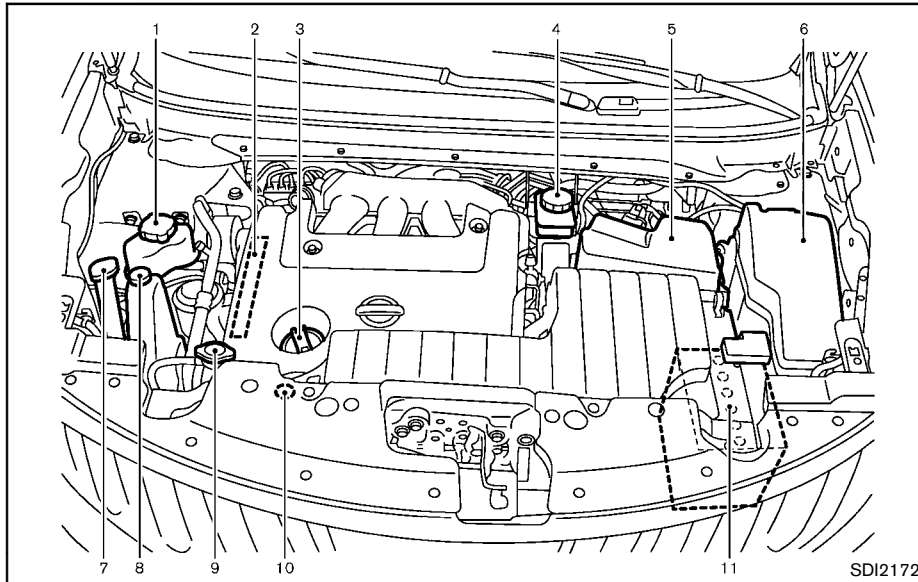
## METERS AND GAUGES



1. Instrument brightness control switch (P.2-40)
2. Tachometer (P.2-7)
3. Speedometer (P.2-6)
4. Fuel gauge (P.2-8)
5. Warning/indicator lights (P.2-11)
6. Trip computer switch (P.2-25)
7. Dot matrix liquid crystal display (P.2-20)
8. Engine coolant temperature gauge (P.2-7)
9. Odometer/twin trip odometer (P.2-6)/Continuously Variable Transmission (CVT) position indicator (P.2-17)
10. RESET switch for trip odometer (P.2-6)

— Trip computer (P.2-40)


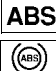

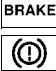
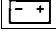
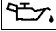
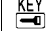






## ENGINE COMPARTMENT



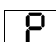
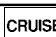


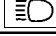



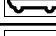

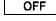


### VQ35DE ENGINE

- |  |   |
|--|---|
| 1. Power steering fluid reservoir (P.8-11) | 7. Window washer fluid reservoir (P.8-13) |
| 2. Drive belt location (P.8-15)            | 8. Engine coolant reservoir (P.8-7)       |
| 3. Engine oil filler cap (P.8-8)           | 9. Radiator filler cap (P.8-7)            |
| 4. Brake fluid reservoir (P.8-12)          | 10. Engine oil dipstick (P.8-8)           |
| 5. Air cleaner (P.8-17)                    | 11. Battery (P.8-13)                      |
| 6. Fuse/fusible link holder (P.8-20)       |   |

## WARNING AND INDICATOR LIGHTS

| Warning light   | Name  | Page |
|---|---|------|
|  | All-Wheel Drive (AWD) warning light (AWD models)* | 2-12 |
|  | Anti-lock Braking System (ABS) warning light      | 2-12 |
|  | Blind Spot Warning (BSW) light (orange)*          | 2-13 |
|  | Brake warning light                               | 2-13 |
|  | Charge warning light                              | 2-13 |
|  | Engine oil pressure warning light                 | 2-14 |
|  | Intelligent Key warning light                     | 2-14 |
|  | Lane Departure Warning (LDW) light (orange)*      | 2-14 |
|  | Low tire pressure warning light                   | 2-14 |
|  | Master warning light                              | 2-16 |
|  | Seat belt warning light                           | 2-16 |
|  | Supplemental air bag warning light                | 2-16 |
|  | Vehicle Dynamic Control (VDC) warning light       | 2-16 |

| Indicator light   | Name  | Page |
|---|---|------|
|  | All-Wheel Drive (AWD) LOCK indicator light (AWD models)*          | 2-17 |
|  | Blind Spot Warning (BSW) light (green)*                           | 2-17 |
|  | Continuously Variable Transmission (CVT) position indicator light | 2-17 |
|  | Cruise indicator light  | 2-17 |
|  | Exterior light indicator  | 2-17 |
|  | Front passenger air bag status light                              | 2-17 |
|  | High beam indicator light   | 2-17 |
|  | Lane Departure Warning (LDW) light (green)*                       | 2-18 |
|  | Malfunction Indicator Light (MIL)                                 | 2-18 |
|  | Overdrive off indicator light                                     | 2-19 |
|  | Soft top indicator light (Cross-Cabriolet models)*                | 2-19 |
|  | Turn signal/hazard indicator lights                               | 2-19 |
|  | Vehicle Dynamic Control (VDC) off indicator light                 | 2-19 |

\*: if so equipped

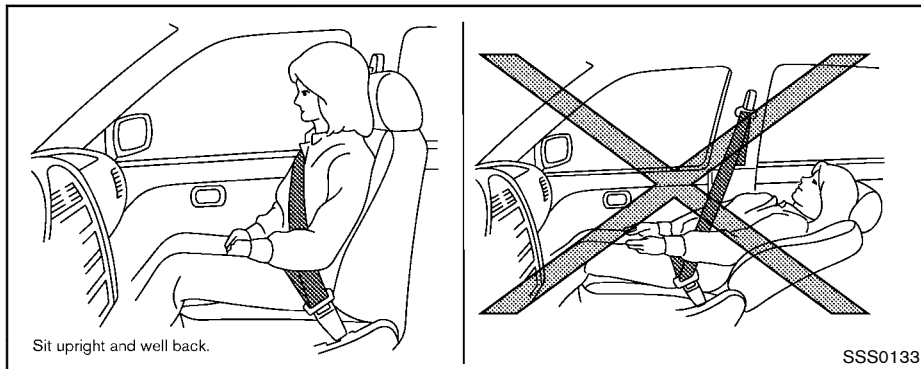


## **MEMO**

# 1 Safety — Seats, seat belts and supplemental restraint system

|   |      |   |      |
|---|------|---|------|
| Seats .....   | 1-2  | Forward-facing child restraint installation using LATCH (Hardtop models only) .....   | 1-37 |
| Front seats .....   | 1-3  | Forward-facing child restraint installation using the seat belts .....  | 1-39 |
| Rear seats (Hardtop models) .....                                   | 1-9  | Installing top tether strap (Hardtop models) .....  | 1-42 |
| Head restraints .....   | 1-11 | Booster seats .....   | 1-42 |
| Armrest (Hardtop models) .....                                      | 1-15 | Supplemental restraint system .....   | 1-46 |
| Seat belts .....  | 1-15 | Precautions on supplemental restraint system .....  | 1-46 |
| Precautions on seat belt usage .....                                | 1-15 | NISSAN Advanced Air Bag System (front seats) .....  | 1-52 |
| Pregnant women .....  | 1-18 | Front seat-mounted side-impact supplemental air bag and roof-mounted curtain side-impact and rollover supplemental air bag (Hardtop models) or door-mounted curtain side-impact and rollover supplemental air bag (CrossCabriolet models) systems ..... | 1-58 |
| Injured persons .....   | 1-18 | Seat belts with pretensioners (front seats) .....   | 1-59 |
| Three-point type seat belt .....                                    | 1-18 | Supplemental air bag warning labels .....   | 1-61 |
| Seat belt extenders .....   | 1-26 | Supplemental air bag warning light .....  | 1-61 |
| Seat belt maintenance .....   | 1-26 | Repair and replacement procedure .....  | 1-61 |
| Child safety .....  | 1-27 | Dual pop-up roll bar system (CrossCabriolet models) .....   | 1-62 |
| Infants .....   | 1-28 |   |      |
| Small children .....  | 1-28 |   |      |
| Larger children .....   | 1-28 |   |      |
| Child restraints .....  | 1-29 |   |      |
| Precautions on child restraints .....                               | 1-29 |   |      |
| LATCH Lower Anchors System .....                                    | 1-31 |   |      |
| Rear-facing child restraint installation using LATCH .....          | 1-33 |   |      |
| Rear-facing child restraint installation using the seat belts ..... | 1-34 |   |      |

## SEATS



### WARNING

- Do not ride in a moving vehicle when the seatback is reclined. This can be dangerous. The shoulder belt will not be against your body. In an accident, you could be thrown into it and receive neck or other serious injuries. You could also slide under the lap belt and receive serious internal injuries.
- For the most effective protection when the vehicle is in motion, the seat should be upright. Always sit

well back in the seat with both feet on the floor and adjust the seat properly. See “Precautions on seat belt usage” later in this section.

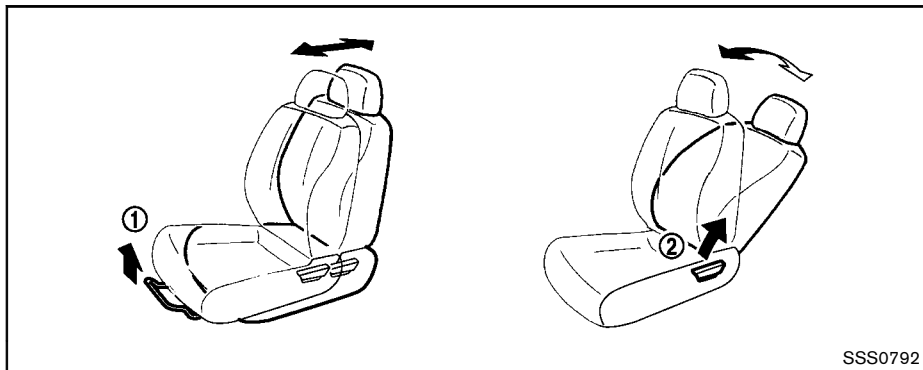
- After adjustment, gently rock in the seat to make sure it is securely locked.
- Do not leave children unattended inside the vehicle. They could unknowingly activate switches or controls. Unattended children could become involved in serious accidents.

- The seatback should not be reclined any more than needed for comfort. Seat belts are most effective when the passenger sits well back and straight up in the seat. If the seatback is reclined, the risk of sliding under the lap belt and being injured is increased.



### CAUTION

When adjusting the seat positions, be sure not to contact any moving parts to avoid possible injuries and/or damages.



SSS0792

## FRONT SEATS

### Manual seat adjustment

#### **Forward and backward:**

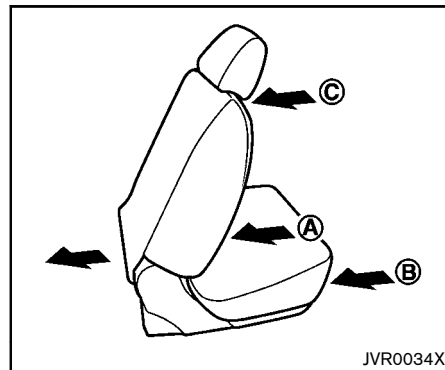
Pull the lever ① up and hold it while you slide the seat forward or backward to the desired position. Release the lever to lock the seat in position.

#### **Reclining:**

To recline the seatback, pull the lever ② up and lean back. To bring the seatback forward, pull the lever up and lean your body forward. Release the lever to lock the seatback in position.

The reclining feature allows adjustment of the

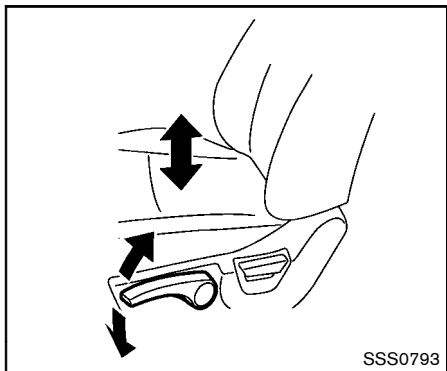
seatback for occupants of different sizes for added comfort and to help obtain proper seat belt fit. (See "Precautions on seat belt usage" later in this section.) Also, the seatback can be reclined to allow occupants to rest when the vehicle is stopped and the transmission in the P (Park) position.



JVR0034X

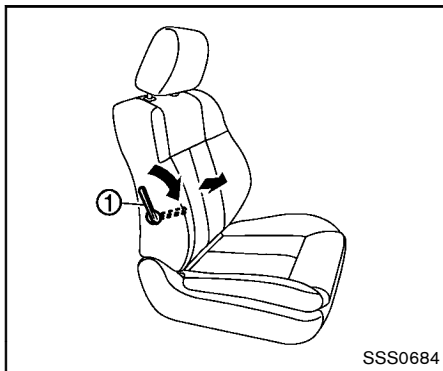
#### **Sliding front passenger seat (CrossCabriolet models):**

To slide the front passenger seat from the front most position to the rear most position, push the bottom half of the seatback (A) or the front seat cushion (B). If you push the top half of the seatback (C), it will lock the seat in the front most position.



**Seat lifter (if so equipped):**

Pull up or push down the adjusting lever to adjust the seat height until the desired position is achieved.



**Lumbar support (if so equipped):**

The lumbar support feature provides lower back support to the driver.

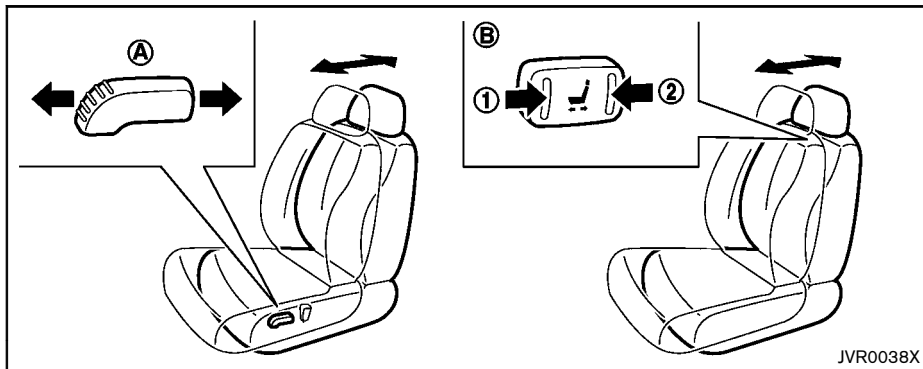
Move the lever ① up or down to adjust the seatback lumbar area.

**Power seat adjustment**

**Operating tips:**

- The power seat motor has an auto-reset overload protection circuit. If the motor stops during operation, wait 30 seconds, then reactivate the switch.
- Do not operate the power seat switch for a long period of time when the engine is off. This will discharge the battery.

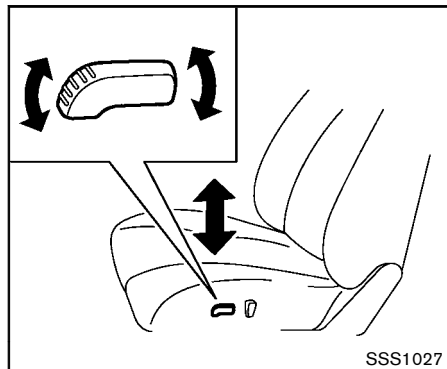
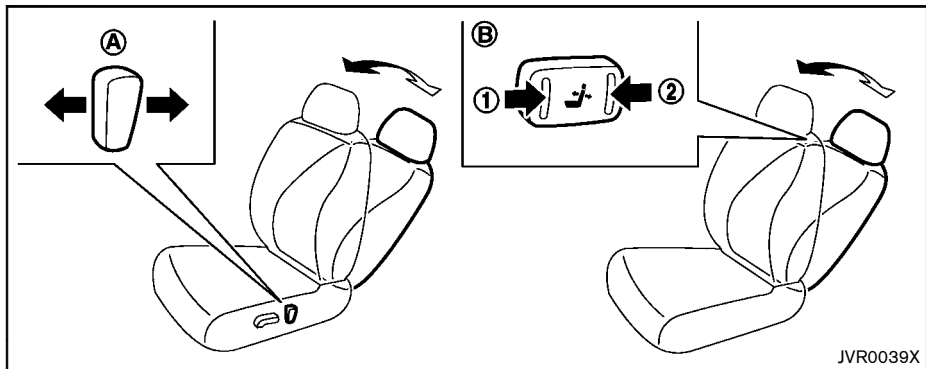
See "Automatic drive positioner" in the "3. Pre-driving checks and adjustments" section for the seat position memory function (if so equipped).



**Forward and backward:**

Moving the switch **(A)** forward or backward will slide the seat forward or backward to the desired position.

Pushing the front **(1)** or back **(2)** end of the slide switch **(B)** will slide the driver seat forward or backward to the desired position (Cross-Cabriolet models driver's seat only).



**Reclining:**

Move the recline switch (A) backward until the desired angle is obtained. To bring the seatback forward again, move the switch (A) forward.

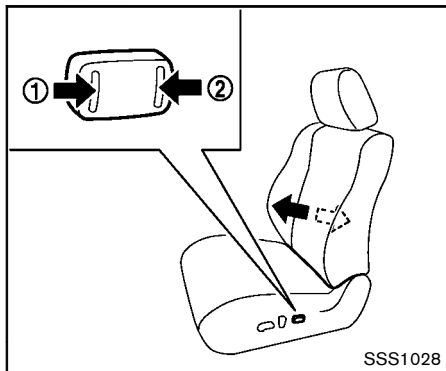
Push and hold the back (2) end of the reclining switch (B) until the desired angle is obtained. To bring the seatback forward again, push and hold the front (1) end of the switch (Cross-Cabriolet models driver's seat only).

The reclining feature allows adjustment of the seatback for occupants of different sizes for added comfort and to help obtain proper seat belt fit. (See "Precautions on seat belt usage" later in this section.) Also, the seatback can be reclined to allow occupants to rest when the

vehicle is stopped and the transmission is in the P (Park) position.

**Seat lifter (if so equipped):**

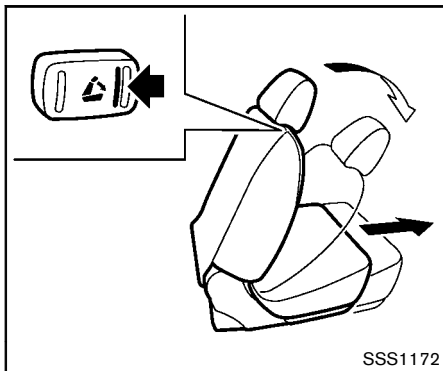
Push the front or rear end of the switch up or down to adjust the angle of the front portion or height of the seat.



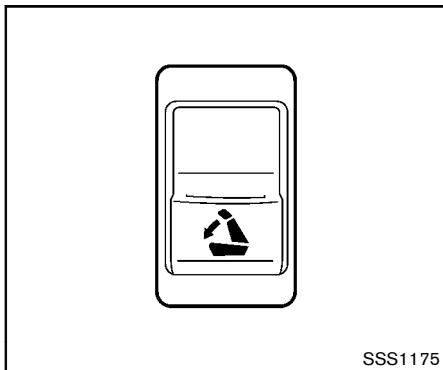
#### Lumbar support (if so equipped):

The lumbar support feature provides lower back support to the driver.

Push the front ① or back ② end of the switch to adjust the seatback lumbar area.



Front passenger's seatback switch



Remote walk-in switch

Walk-in function (front passenger seat, CrossCabriolet models):

#### ⚠ CAUTION

- When operating the walk-in function, be sure not to contact any moving parts to avoid possible injuries and/or damages.
- When operating the walk-in function, be sure that the front passenger seat is not occupied by a passenger and/or any objects to avoid possible injuries and/or damages.
- After operating the walk-in function, be sure to return the seat to the rearmost position and then tilt up the seatback until it latches.

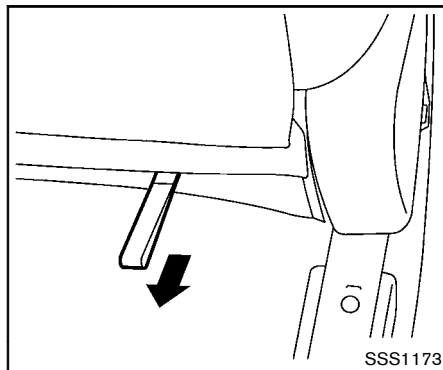
This feature makes it easier to get in and out of the rear seat. Use the following procedure when getting in and out of the rear seat on the passenger's side. If the sun visor is used, close it to the original position before operating the walk-in feature.

1. Push the front passenger's seatback switch to fold down the seatback and unlock the seat position.



Alternatively, you can push the remote walk-in switch located on the instrument panel to fold down the front passenger's seatback and unlock the seat position.

2. Slide the seat forward to the foremost position manually.
3. Get in or out the vehicle.
4. Return the front passenger seat to the rearmost position. To slide the front passenger seat, see "Manual seat adjustment" earlier in this section.



#### Driver's seatback release (CrossCabriolet models)

To exit the rear seat from the driver's side, pull the strap behind the driver's seat to release the driver's seatback. The driver's seatback will tilt forward so that you can exit the vehicle.

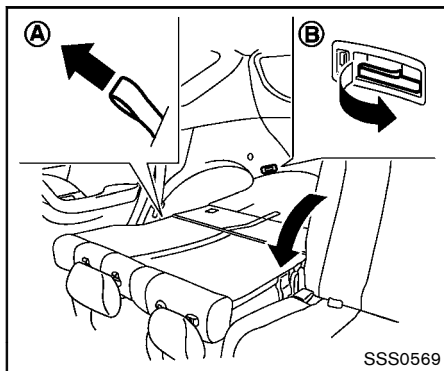
#### **NOTE:**

**Pulling the strap behind the driver's seat does not slide the driver's seat forward. You cannot slide the driver's seat manually.**



#### **WARNING**

**Before using the driver's seatback release, be sure that the driver's seat is not occupied by a driver and/or any objects to avoid possible injuries and/or damage.**



## REAR SEATS (Hardtop models)

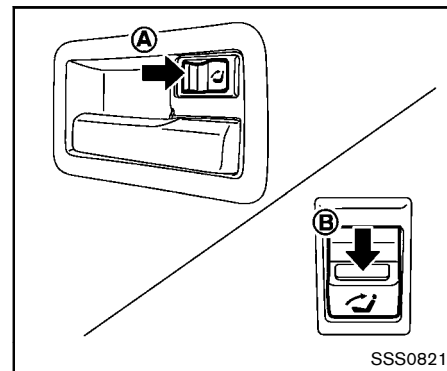
### Folding

#### Before folding the rear seats:

- Secure the seat belts on the seat belt hooks on the side wall. (See “Seat belt hooks (Hardtop models)” later in this section.)
- Disconnect and stow the center seat belt and tongue into the retractor base. (See “Rear center seat belt (Hardtop models)” later in this section.)
- Always reconnect the center seat belt when the seat is returned to the upright position.
- Remove drink containers from the rear cup holder.

#### To fold down the seatbacks:

Pull the strap on the rear seat (A) . Pull the lever (B) beside the cargo area and fold the seatback.



#### To return the seatbacks:

Manual operation:

Lift up each seatback and push it to the upright position until it is latched.

Power operation (if so equipped):

Push and hold the corresponding switch located on the lower side of the instrument panel (B) or the right or left side in the cargo area (A) .

A beep sounds once and the seatback will be returned automatically.

A beep sounds twice when the seatback is fully returned to the seating position.

If the control unit detects any obstacle or malfunctions while in the power operation, a

beep sounds for 4 seconds and the seatback will return to the folded position automatically. Check if there are any obstacles caught that prevent seats from returning to the folded position. See a NISSAN dealer if the beep still sounds.



## CAUTION

When operating the rear power seatback return, make sure that the vehicle is stopped and the transmission is in the P (Park) position.



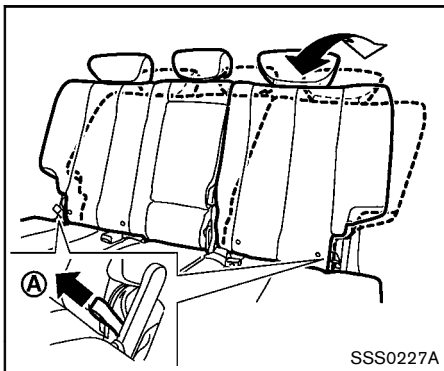
## WARNING

- Never allow anyone to ride in the cargo area or on the rear seats when they are in the fold-down position. In a collision, people riding in these areas are more likely to be seriously injured or killed.
- Do not allow people to ride in any area of your vehicle that is not equipped with seats and seat belts. Be sure everyone in your vehicle is in a seat and using a seat belt properly.

- Do not fold down the rear seats when occupants are in the rear seat area or any luggage is on the rear seats.
- When folding or returning the seatbacks to the upright position, to avoid injury to yourself and others:
  - Make sure that the seat path is clear before moving the seat.
  - Be careful not to allow hands or feet to get caught or pinched in the seat.
- Properly secure all cargo to help prevent it from sliding or shifting. Do not place cargo higher than the seatbacks. In a sudden stop or collision, unsecured cargo could cause personal injury.
- When returning the seatbacks, be sure to attach the rear center seat belt connector.
- Do not unfasten the rear center seat belt connector except when folding down the rear seat.
- When attaching the rear center seat belt connector, be certain that the seatbacks are completely secured in the latched position and the rear

center seat belt connector is completely secured.

- If the rear center seat belt connector and the seatbacks are not secured in the correct position, serious personal injury may result in an accident or sudden stop.



## Reclining

Pull the reclining strap **A** and position the seatback at the desired angle. Release the reclining strap after positioning the seat at the desired angle.

The reclining feature allows adjustment of the seatback for occupants of different sizes to help obtain proper seat belt fit. (See “Precautions on seat belt usage” later in this section.) The seatback may also be reclined to allow occupants to rest when the vehicle is parked.

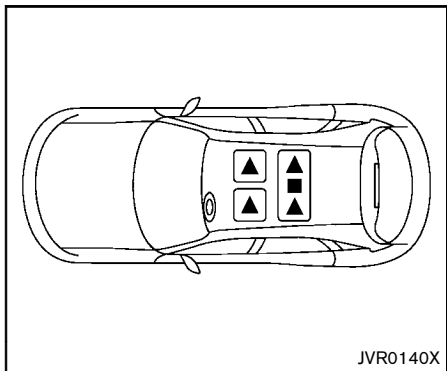
## WARNING

- Do not ride in a moving vehicle when the seatback is reclined. This can be dangerous. The shoulder belt will not be against your body. In an accident, you could be thrown into it and receive neck or other serious injuries. You could also slide under the lap belt and receive serious internal injuries.
- For the most effective protection when the vehicle is in motion, the seat should be upright. Always sit well back in the seat with both feet on the floor and adjust the seat belt properly. See “Precautions on seat belt usage” later in this section.
- After adjustment, check to be sure the seat is securely locked.

## HEAD RESTRAINTS

### WARNING

Head restraints supplement the other vehicle safety systems. They may provide additional protection against injury in certain rear end collisions. Adjust the head restraints properly, as specified in this section. Check the adjustment after someone else uses the seat. Do not attach anything to the head restraint stalks or remove the head restraint. Do not use the seat if the head restraint has been removed. If the head restraint was removed, install and properly adjust the head restraint before an occupant uses the seating position. Failure to follow these instructions can reduce the effectiveness of the head restraints. This may increase the risk of serious injury or death in a collision.



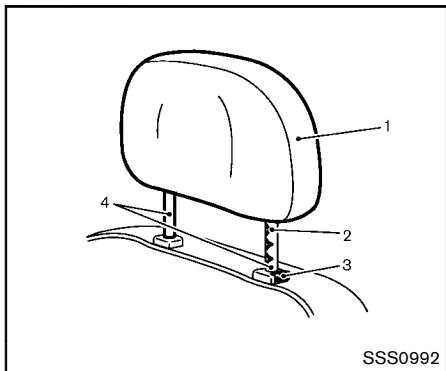
The illustration shows the seating positions with head restraints and headrest.

For Hardtop models, the head restraints and the headrest are adjustable.

For CrossCabriolet models, the front head restraints are adjustable and the rear head restraints are not removable or adjustable.

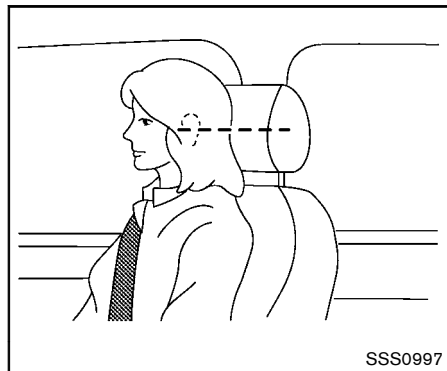
▲ Indicates the seating position is equipped with a head restraint.

■ Indicates the seating position is equipped with an adjustable headrest (for Hardtop models).



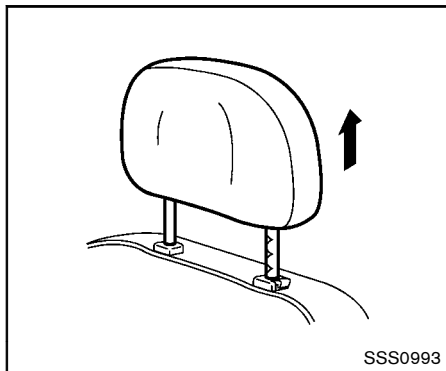
### Components

1. Head restraint
2. Adjustment notches
3. Lock knob
4. Stalks

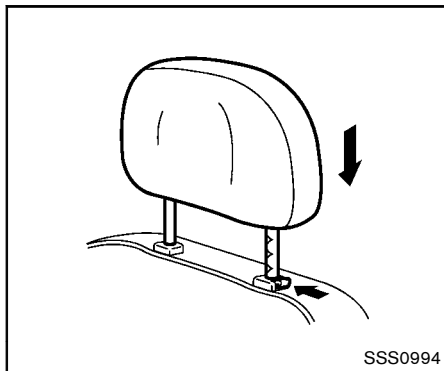


### Adjustment

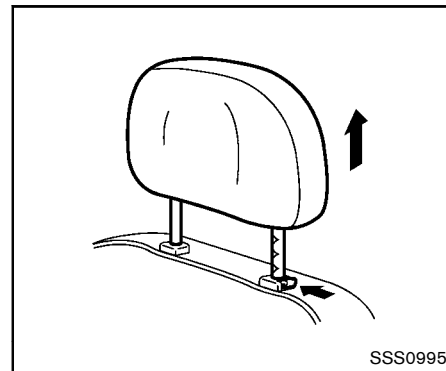
Adjust the head restraint so the center is level with the center of your ears.



To raise the head restraint, pull it up.



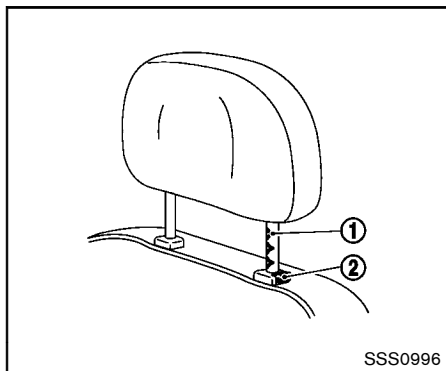
To lower, push and hold the lock knob and push the head restraint down.



### Removal

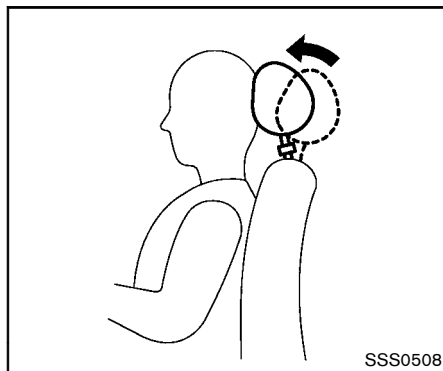
Use the following procedure to remove the adjustable head restraints.

1. Pull the head restraint up to the highest position.
2. Push and hold the lock knob.
3. Remove the head restraint from the seat.
4. Store the head restraint properly in a secure place so it is not loose in the vehicle.
5. Reinstall and properly adjust the head restraint before an occupant uses the seating position.



### Install

1. Align the head restraint stalks with the holes in the seat. Make sure that the head restraint is facing the correct direction. The stalk with the adjustment notches ① must be installed in the hole with the lock knob ②.
2. Push and hold the lock knob and push the head restraint down.
3. Properly adjust the head restraint before an occupant uses the seating position.



### Front-seat Active Head Restraint

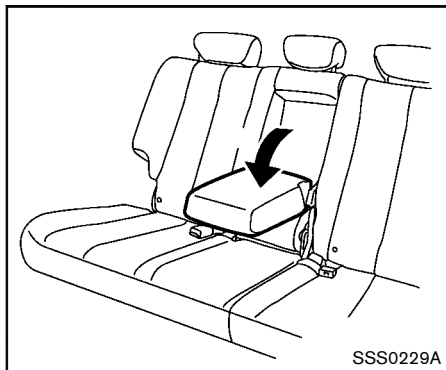
The Active Head Restraint moves forward utilizing the force that the seatback receives from the occupant in a rear-end collision. The movement of the head restraint helps support the occupant's head by reducing its backward movement and helping absorb some of the forces that may lead to whiplash-type injuries.

Active Head Restraints are effective for collisions at low to medium speeds in which it is said that whiplash injury occurs most.

Active Head Restraints operate only in certain rear-end collisions. After the collision, the head restraints return to their original position.

Adjust the Active Head Restraints properly as described earlier in this section.

## SEAT BELTS



### ARMREST (Hardtop models)

Rear armrest

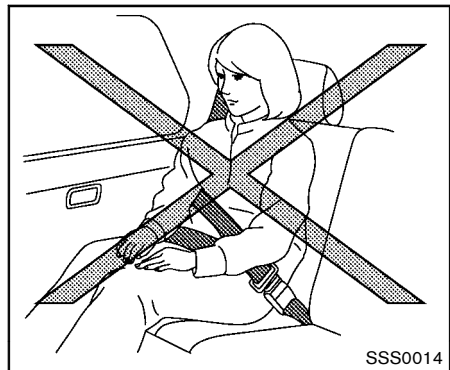
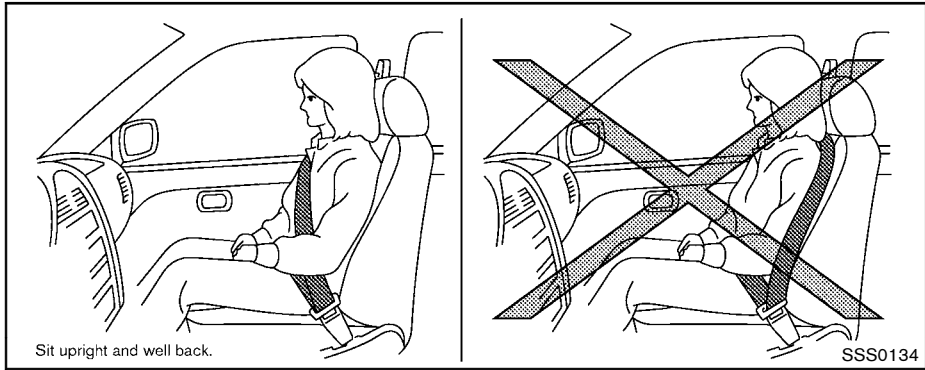
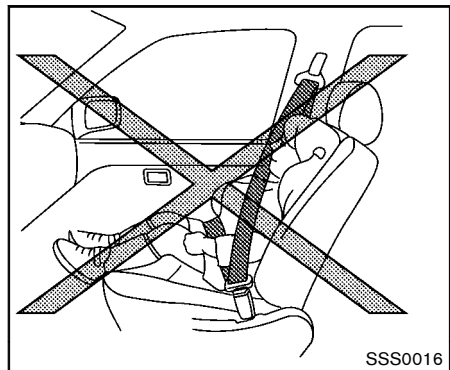
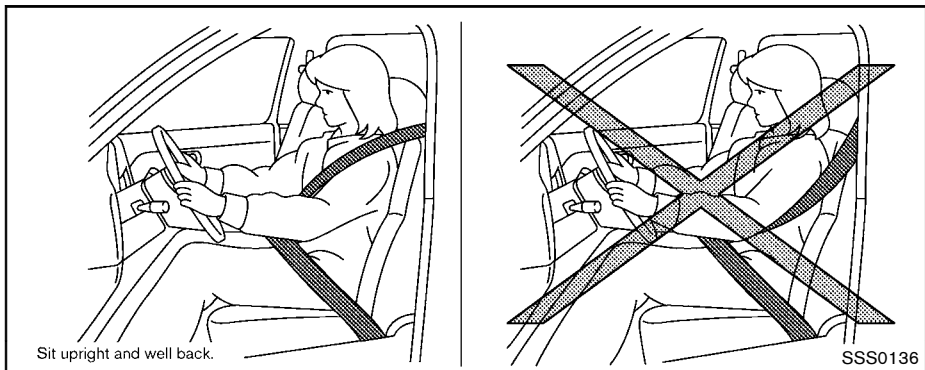
Pull the armrest forward until it is horizontal.

### PRECAUTIONS ON SEAT BELT USAGE

If you are wearing your seat belt properly adjusted, and you are sitting upright and well back in your seat with both feet on the floor, your chances of being injured or killed in an accident and/or the severity of injury may be greatly reduced. NISSAN strongly encourages you and all of your passengers to buckle up every time you drive, even if your seating position includes a supplemental air bag.

**Most U.S. states and Canadian provinces or territories specify that seat belts be worn at all times when a vehicle is being driven.**







## **WARNING**

- Every person who drives or rides in this vehicle should use a seat belt at all times. Children should be properly restrained in the rear seat and, if appropriate, in a child restraint.
- The seat belt should be properly adjusted to a snug fit. Failure to do so may reduce the effectiveness of the entire restraint system and increase the chance or severity of injury in an accident. Serious injury or death can occur if the seat belt is not worn properly.
- Always route the shoulder belt over your shoulder and across your chest. Never put the belt behind your back, under your arm or across your neck. The belt should be away from your face and neck, but not falling off your shoulder.
- Position the lap belt as low and snug as possible **AROUND THE HIPS, NOT THE WAIST**. A lap belt worn too high could increase the risk of internal injuries in an accident.

- Be sure the seat belt tongue is securely fastened to the proper buckle.
- Do not wear the seat belt inside out or twisted. Doing so may reduce its effectiveness.
- Do not allow more than one person to use the same seat belt.
- Never carry more people in the vehicle than there are seat belts.
- If the seat belt warning light glows continuously while the ignition is pushed to the ON position with all doors closed and all seat belts fastened, it may indicate a malfunction in the system. Have the system checked by a NISSAN dealer.
- No changes should be made to the seat belt system. For example, do not modify the seat belt, add material, or install devices that may change the seat belt routing or tension. Doing so may affect the operation of the seat belt system. Modifying or tampering with the seat belt system may result in serious personal injury.

- Once a seat belt pretensioner has activated, it cannot be reused and must be replaced together with the retractor. See a NISSAN dealer.
- Removal and installation of the pretensioner system components should be done by a NISSAN dealer.
- All seat belt assemblies, including retractors and attaching hardware, should be inspected after any collision by a NISSAN dealer. NISSAN recommends that all seat belt assemblies in use during a collision be replaced unless the collision was minor and the belts show no damage and continue to operate properly. Seat belt assemblies not in use during a collision should also be inspected and replaced if either damage or improper operation is noted.
- All child restraints and attaching hardware should be inspected after any collision. Always follow the restraint manufacturer's inspection instructions and replacement recommendations. The child restraints should be replaced if they are

**damaged.**

### PREGNANT WOMEN

NISSAN recommends that pregnant women use seat belts. The seat belt should be worn snug, and always position the lap belt as low as possible around the hips, not the waist. Place the shoulder belt over your shoulder and across your chest. Never run the lap/shoulder belt over your abdominal area. Contact your doctor for specific recommendations.

### INJURED PERSONS

NISSAN recommends that injured persons use seat belts. Check with your doctor for specific recommendations.

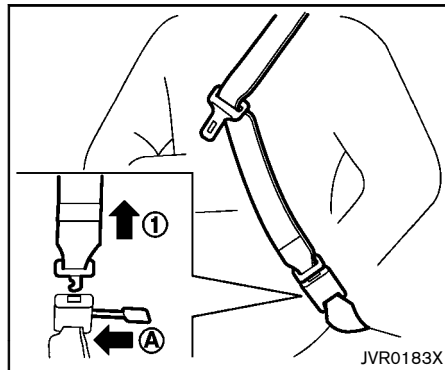
### THREE-POINT TYPE SEAT BELT

#### **WARNING**

- Every person who drives or rides in this vehicle should use a seat belt at all times.
- Do not ride in a moving vehicle when the seatback is reclined. This can be dangerous. The shoulder belt will not be against your body. In an accident, you could be thrown into it and receive neck or other serious

injuries. You could also slide under the lap belt and receive serious internal injuries.

- For the most effective protection when the vehicle is in motion, the seat should be upright. Always sit well back in the seat with both feet on the floor and adjust the seat belt properly.



#### **WARNING**

Do not allow children to play with the seat belts. Most seating positions are equipped with Automatic Locking Retractor (ALR) mode seat belts. If the seat belt becomes wrapped around a child's neck with the ALR mode activated, the child can be seriously injured or killed if the seat belt retracts and becomes tight. This can occur even if the vehicle is parked. Unbuckle the seat belt to release the child. For the center of the rear seat, the connector tongue

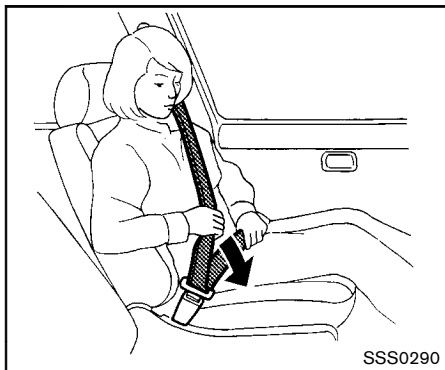
① may also be released. Release the connector tongue by inserting a suitable tool (such as a key) into the connector buckle ①. If the seat belt cannot be unbuckled or is already unbuckled, release the child by cutting the seat belt with a suitable tool (such as a knife or scissors) to release the seat belt.



retractor.

### Fastening the seat belts

1. Adjust the seat. (See “Seats” earlier in this section.)
2. Slowly pull the seat belt out of the retractor and insert the tongue into the buckle until you hear and feel the latch engage.
  - **The retractor is designed to lock during a sudden stop or on impact. A slow pulling motion permits the belt to move and allows you some freedom of movement in the seat.**
  - **If the seat belt cannot be pulled from its fully retracted position, firmly pull the belt and release it. Then smoothly pull the belt out of the**



3. Position the lap belt portion **low and snug on the hips** as shown.
4. Pull the shoulder belt portion toward the retractor to take up extra slack. Be sure the shoulder belt is routed over your shoulder and across your chest.

The front passenger seat and the rear seating positions three-point seat belts have two modes of operation:

- Emergency Locking Retractor (ELR)
- Automatic Locking Retractor (ALR)

The Emergency Locking Retractor (ELR) mode allows the seat belt to extend and retract to allow the driver and passengers some freedom

of movement in the seat. The ELR locks the seat belt when the vehicle slows down rapidly or during certain impacts.

The Automatic Locking Retractor (ALR) mode (child restraint mode) locks the seat belt for child restraint installation.

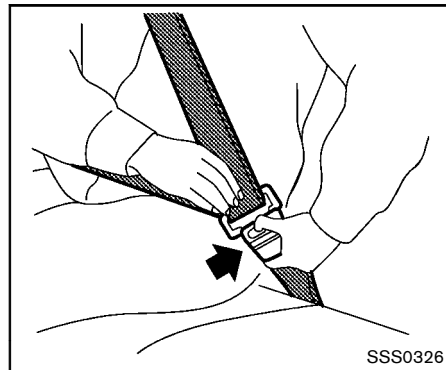
When ALR mode is activated the seat belt cannot be extended again until the seat belt tongue is detached from the buckle and fully retracted. The seat belt returns to the ELR mode after the seat belt fully retracts. For additional information, see "Child restraints" later in this section.

**The ALR mode should be used only for child restraint installation. During normal seat belt use by an occupant, the ALR mode should not be activated. If it is activated, it may cause uncomfortable seat belt tension.**



## WARNING

**When fastening the seat belts, be certain that seatbacks are completely secured in the latched position. If they are not completely secured, passengers may be injured in an accident or sudden stop.**



### Unfastening the seat belts

To unfasten the seat belt, push the button on the buckle. The seat belt automatically retracts.

### Checking seat belt operation

Seat belt retractors are designed to lock seat belt movement by two separate methods:

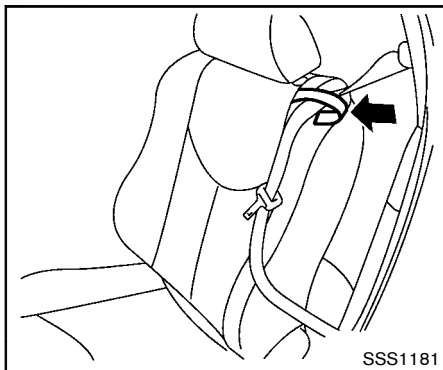
- When the belt is pulled quickly from the retractor.
- When the vehicle slows down rapidly.

To increase your confidence in the seat belts, check the operation as follows:

- Grasp the shoulder belt and pull forward quickly. The retractor should lock and

restrict further belt movement.

If the retractor does not lock during this check or if you have any question about seat belt operation, see a NISSAN dealer.



Seat belt guide (front seats, CrossCabriolet models)

When the seat belt guide is used with the front seat, the seat belt can easily be pulled out.

Release the seat belt guide, clip the seat belt and install the seat belt guide again.

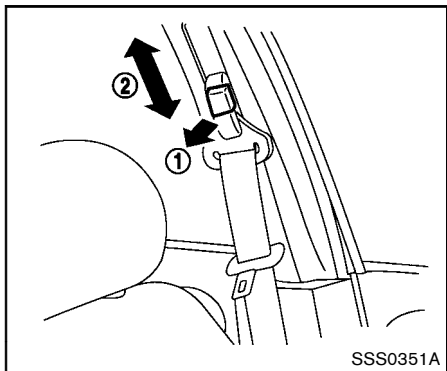
When using the seat belt guide, do not allow it to twist.

## WARNING

When using the seat belt guide, make sure that the seat belt guide is securely installed to the seat. Otherwise, the seat belt may slip and result in personal injury.

## CAUTION

- When entering or exiting the rear seat, or inserting or retrieving luggage with the seatback folded down, always release the seat belt guide. Otherwise, the seat belt guide may be damaged.
- Do not fold the seat forward or pull it backward by holding the seat belt guide in your hand. Doing so may damage the seat belt guide.



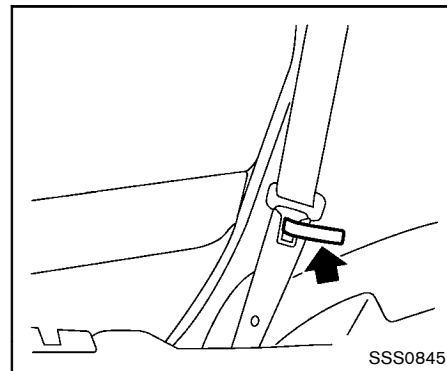
### Shoulder belt height adjustment (Hard-top models)

The shoulder belt anchor height should be adjusted to the position best for you. (See “Precautions on seat belt usage” earlier in this section.)

To adjust, pull the adjustment button ①, and then move the shoulder belt anchor to the desired position ②, so that the belt passes over the center of the shoulder. The belt should be away from your face and neck, but not falling off of your shoulder. Release the adjustment button to lock the shoulder belt anchor into position.

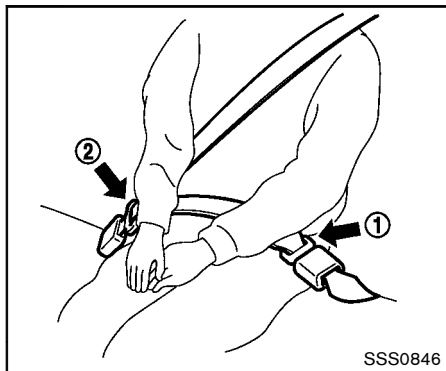
## **WARNING**

- After adjustment, release the adjustment button and try to move the shoulder belt anchor up and down to make sure it is securely fixed in position.
- The shoulder belt anchor height should be adjusted to the position best for you. Failure to do so may reduce the effectiveness of the entire restraint system and increase the chance or severity of injury in an accident.



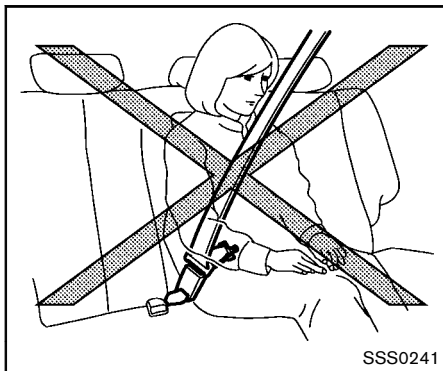
### Seat belt hooks (Hardtop models)

When the rear seat belts are not in use and when folding down the rear seats, hook the rear outer seat belts on the seat belt hooks.



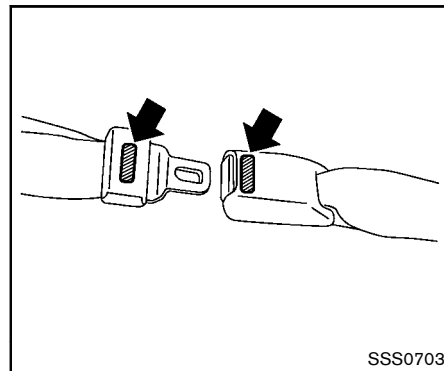
### Rear center seat belt (Hardtop models)

The rear center seat belt has a connector tongue (1) and a seat belt tongue (2). Both the connector tongue and the seat belt tongue must be securely latched for proper seat belt operation.



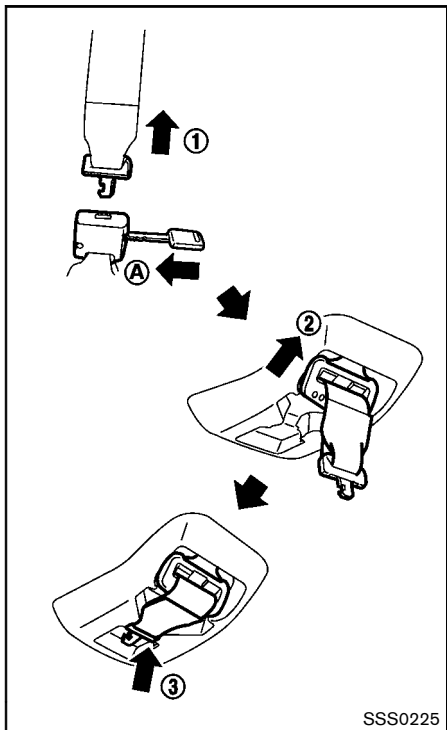
### **WARNING**

- **Always fasten the connector tongue and the seat belt in the order shown.**
- **Always make sure both the connector tongue and the seat belt tongue are secured when using the seat belt or installing a child restraint. Do not use the seat belt or child restraint with only the seat belt tongue attached. This could result in serious personal injury in case of an accident or a sudden stop.**



The center seat belt buckle and the tongue are identified by the CENTER mark. The center seat belt tongue can be fastened only into the center seat belt buckle.





### Stowing rear center seat belt:

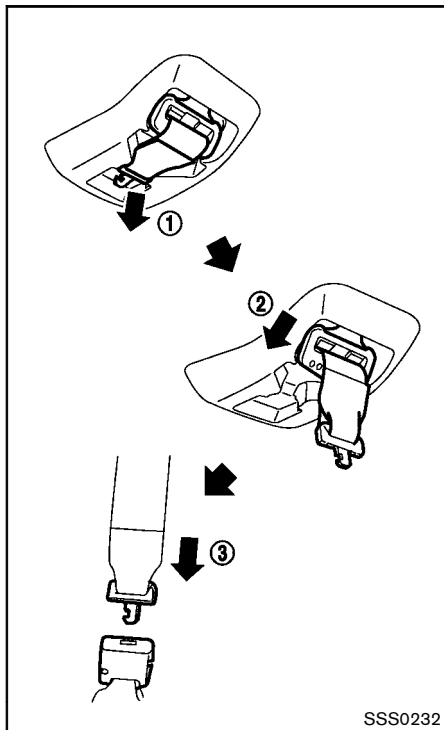
When folding down the rear seat, the rear center seat belt can be retracted into a stowed position as follows:

1. Hold the connector tongue (1) so that the seat belt does not retract suddenly when the tongue is released from the connector buckle. Release the connector tongue by inserting a suitable tool such as key (A) into the connector buckle.
2. Insert the seat belt tongue into the retractor base first (2).
3. Then secure the connector tongue into the retractor base (3).

### WARNING

- Do not unfasten the rear center seat belt connector except when folding down the rear seat.
- When attaching the rear center seat belt connector, be certain that the seatbacks are completely secured in the latched position and the rear center seat belt connector is completely secured.
- If the rear center seat belt connector and the seatbacks are not secured

**in the correct position, serious personal injury may result in an accident or sudden stop.**



### Attaching rear center seat belt:

Always be sure the rear center seat belt connector tongue and connector buckle are attached. Disconnect only when folding down the rear seat.

To connect the buckle:

1. Pull out the connector tongue from the retractor base ①.
2. Pull out the seat belt tongue from the retractor base ②.
3. Pull the seat belt and secure the connector buckle until it clicks ③.

The center seat belt connector tongue and buckle are indicated by the ▼ and ▲ mark.

The center seat belt connector tongue can be attached only into the rear center seat belt connector buckle.

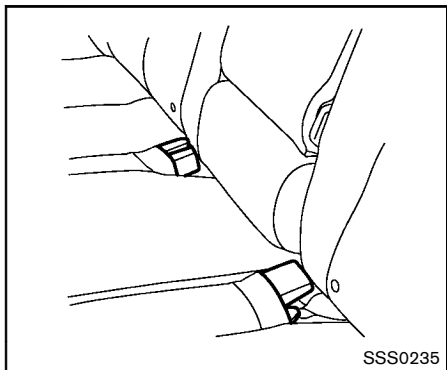
To fasten the seat belt, see "Fastening the seat belts" earlier in this section.

**seatbacks are completely secured in the latched position and the rear center seat belt connector is completely secured.**

- **If the rear center seat belt connector and the seatbacks are not secured in the correct position, serious personal injury may result in an accident or sudden stop.**

### WARNING

- **Do not unfasten the rear center seat belt connector except when folding down the rear seat.**
- **When attaching the rear center seat belt connector, be certain that the**



### Storing rear seat belt buckles (Hardtop models)

Before folding down the seat, put the buckles in the storage of the seat cushion to avoid dropping it under the seat cushion.

### SEAT BELT EXTENDERS

If, because of body size or driving position, it is not possible to properly fit the lap-shoulder belt and fasten it, an extender that is compatible with the installed seat belts is available that can be purchased. The extender adds approximately 8 in (200 mm) of length and may be used for either the driver or front passenger seating position. See a NISSAN dealer for assistance with

purchasing an extender if an extender is required.

### **WARNING**

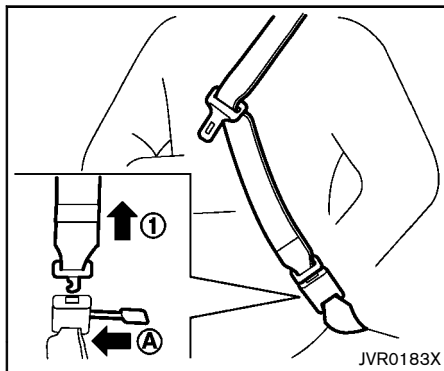
- **Only NISSAN seat belt extenders, made by the same company which made the original equipment seat belts, should be used with NISSAN seat belts.**
- **Adults and children who can use the standard seat belt should not use an extender. Such unnecessary use could result in serious personal injury in the event of an accident.**
- **Never use seat belt extenders to install child restraints. If the child restraint is not secured properly, the child could be seriously injured in a collision or a sudden stop.**

### SEAT BELT MAINTENANCE

- **To clean the seat belt webbing**, apply a mild soap solution or any solution recommended for cleaning upholstery or carpets. Then wipe with a cloth and allow the seat belts to dry in the shade. Do not allow the seat belts to retract until they are completely dry.

- **If dirt builds up in the shoulder belt guide** of the seat belt anchors, the seat belts may retract slowly. Wipe the shoulder belt guide with a clean, dry cloth.
- **Periodically check to see that the seat belt and the metal components**, such as buckles, tongues, retractors, flexible wires and anchors, work properly. If loose parts, deterioration, cuts or other damage on the webbing is found, the entire seat belt assembly should be replaced.

## CHILD SAFETY



### WARNING

**Do not allow children to play with the seat belts. Most seating positions are equipped with Automatic Locking Retractor (ALR) mode seat belts. If the seat belt becomes wrapped around a child's neck with the ALR mode activated, the child can be seriously injured or killed if the seat belt retracts and becomes tight. This can occur even if the vehicle is parked. Unbuckle the seat belt to release the child. For the center of the rear seat, the connector tongue**

**may also be released. Release the connector tongue ① by inserting a suitable tool (such as a key) into the connector buckle ②. If the seat belt cannot be unbuckled or is already unbuckled, release the child by cutting the seat belt with a suitable tool (such as a knife or scissors) to release the seat belt.**

**Children need adults to help protect them. They need to be properly restrained.**

In addition to the general information in this manual, child safety information is available from many other sources, including doctors, teachers, government traffic safety offices, and community organizations. Every child is different, so be sure to learn the best way to transport your child.

There are three basic types of child restraint systems:

- Rear-facing child restraint
- Forward-facing child restraint
- Booster seat

The proper restraint depends on the child's size. Generally, infants up to about 1 year and less than 20 lbs (9 kg) should be placed in rear-facing child restraints. Forward-facing child restraints are available for children who outgrow

rear-facing child restraints and are at least 1 year old. Booster seats are used to help position a vehicle lap/shoulder belt on a child who can no longer use a forward-facing child restraint.



### WARNING

**Infants and children need special protection. The vehicle's seat belts may not fit them properly. The shoulder belt may come too close to the face or neck. The lap belt may not fit over their small hip bones. In an accident, an improperly fitting seat belt could cause serious or fatal injury. Always use appropriate child restraints.**

All U.S. states and Canadian provinces or territories require the use of approved child restraints for infants and small children. See "Child restraints" later in this section.

A child restraint may be secured in the vehicle by using either the LATCH (Lower Anchor and Tethers for CHildren) system or with the vehicle seat belt. See "Child restraints" later in this section for more information.

**NISSAN recommends that all pre-teens and children be restrained in the rear seat. Studies show that children are safer when**

**properly restrained in the rear seat than in the front seat.**

**This is especially important because your vehicle has a supplemental restraint system (Air bag system) for the front passenger. See “Supplemental restraint system” later in this section.**

## INFANTS

Infants up to at least 1 year old should be placed in a rear-facing child restraint. NISSAN recommends that infants be placed in child restraints that comply with Federal Motor Vehicle Safety Standards or Canadian Motor Vehicle Safety Standards. You should choose a child restraint that fits your vehicle and always follow the manufacturer’s instructions for installation and use.

## SMALL CHILDREN

Children that are over 1 year old and weigh at least 20 lbs (9 kg) should remain in a rear-facing child restraint as long as possible up to the height or weight limit of the child restraint. Children who outgrow the height or weight limit of the rear-facing child restraint and are at least 1 year old should be secured in a forward-facing child restraint with a harness. Refer to the manufacturer’s instructions for minimum and maximum weight and height recommendations. NISSAN recommends that small children be

placed in child restraints that comply with Federal Motor Vehicle Safety Standards or Canadian Motor Vehicle Safety Standards. You should choose a child restraint that fits your vehicle and always follow the manufacturer’s instructions for installation and use.

## LARGER CHILDREN

Children should remain in a forward-facing child restraint with a harness until they reach the maximum height or weight limit allowed by the child restraint manufacturer.

Once a child outgrows the height or weight limit of the harness-equipped forward-facing child restraint, NISSAN recommends that the child be placed in a commercially available booster seat to obtain proper seat belt fit. For a seat belt to fit properly, the booster seat should raise the child so that the shoulder belt is properly positioned across the chest and the top, middle portion of the shoulder. The shoulder belt should not cross the neck or face and should not fall off the shoulder. The lap belt should lie snugly across the lower hips or upper thighs, not the abdomen.

A booster seat can only be used in seating positions that have a three-point type seat belt. The booster seat should fit the vehicle seat and have a label certifying that it complies with Federal Motor Vehicle Safety Standards or Canadian Motor Vehicle Safety Standards.

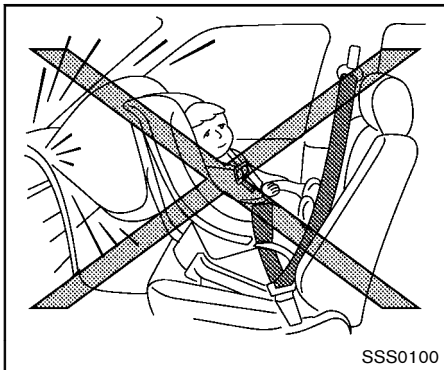
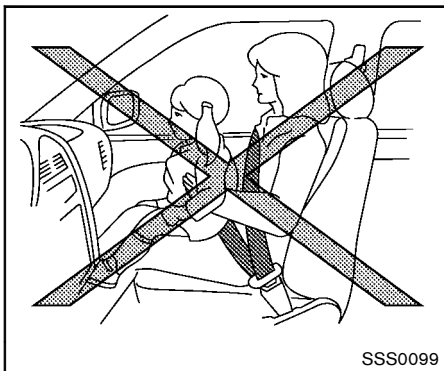
Once the child has grown so the shoulder belt is no longer on or near the face and neck, and the lap belt can be positioned properly across the lower hips or upper thighs, use the seat belt without the booster seat.



## WARNING

**Never let a child stand or kneel on any seat and do not allow a child in the cargo area. The child could be seriously injured or killed in a sudden stop or collision.**

## CHILD RESTRAINTS



### PRECAUTIONS ON CHILD RESTRAINTS

#### **WARNING**

- **CrossCabriolet models are not equipped with top tethers. A child restraint system requiring a top tether strap cannot be properly installed and should not be used in your vehicle.**
- **Failure to follow the warnings and instructions for proper use and installation of child restraints could result in serious injury or death of a child or other passengers in a sudden stop or collision:**
  - **The child restraint must be used and installed properly. Always follow all of the child restraint manufacturer's instructions for installation and use.**
  - **Infants and children should never be held on anyone's lap. Even the strongest adult cannot resist the forces of a collision.**
  - **Do not put a seat belt around both a child and another pas-**

senger.

- **NISSAN recommends that all child restraints be installed in the rear seat. Studies show that children are safer when properly restrained in the rear seat than in the front seat. If you must install a forward-facing child restraint in the front seat, see "Forward-facing child restraint installation using the seat belts" later in this section.**
- **Even with the NISSAN Advanced Air Bag System, never install a rear-facing child restraint in the front seat. An inflating air bag could seriously injure or kill a child. A rear-facing child restraint must only be used in the rear seat.**
- **Be sure to purchase a child restraint that will fit the child and vehicle. Some child restraints may not fit properly in your vehicle.**
- **Child restraint anchor points are designed to withstand loads from child restraints that are**

properly fitted.

- Never use the anchor points for adult seat belts or harnesses.
- A child restraint with a top tether strap should not be used in the front passenger seat.
- Keep seatbacks as upright as possible after fitting the child restraint.
- Infants and children should always be placed in an appropriate child restraint while in the vehicle.
- When the child restraint is not in use, keep it secured with the LATCH system or a seat belt. In a sudden stop or collision, loose objects can injure occupants or damage the vehicle.



## CAUTION

A child restraint in a closed vehicle can become very hot. Check the seating surface and buckles before placing a child in the child restraint.

This vehicle is equipped with a universal child restraint anchor system, referred to as the LATCH (Lower Anchors and Tethers for Children) system. Some child restraints include rigid or webbing-mounted attachments that can be connected to these anchors.

For details, see “LATCH Lower Anchors System” later in this section.

LATCH child restraints generally require the use of a top tether strap. If your vehicle does not have top tether anchor locations, do not install a child restraint in your vehicle that requires the use of a top tether strap.

If you do not have a LATCH compatible child restraint, the vehicle seat belts can be used.

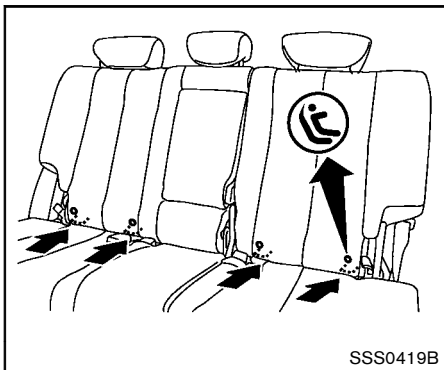
Several manufacturers offer child restraints for infants and small children of various sizes. When selecting any child restraint, keep the following points in mind:

- Choose only a restraint with a label certifying that it complies with Federal Motor Vehicle Safety Standard 213 or Canadian Motor Vehicle Safety Standard 213.
- Check the child restraint in your vehicle to be sure it is compatible with the vehicle’s seat and seat belt system.
- If the child restraint is compatible with your vehicle, place your child in the child restraint and check the various adjustments to be

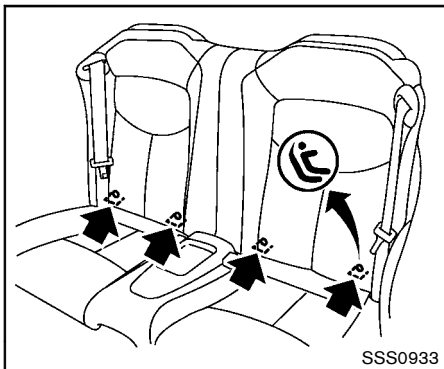
sure the child restraint is compatible with your child. Choose a child restraint that is designed for your child’s height and weight.

Always follow all recommended procedures.

**All U.S. states and Canadian provinces or territories require that infants and small children be restrained in an approved child restraint at all times while the vehicle is being operated. Canadian law requires the top tether strap on forward-facing child restraints to be secured to the designated anchor point on the vehicle.**



LATCH label location (Hardtop models)



LATCH label location (CrossCabriolet models)

## LATCH Lower Anchors SYSTEM

Your vehicle is equipped with special anchor points that are used with the LATCH (Lower Anchors and Tethers for Children) system compatible child restraints. This system may also be referred to as the ISOFIX or ISOFIX compatible system. With this system, you do not have to use a vehicle seat belt to secure the child restraint.

The LATCH anchor points are provided to install child restraints in the rear outboard seating positions only.

LATCH lower anchor

## WARNING

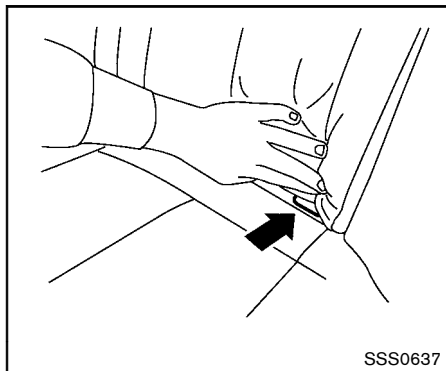
Failure to follow the warnings and instructions for proper use and installation of child restraints could result in serious injury or death of a child or other passengers in a sudden stop or collision:

- Attach LATCH system compatible child restraints only at the locations shown in the illustration.
- Do not secure a child restraint in the center rear seating position using the LATCH lower anchors. The child

restraint will not be secured properly.

- Inspect the lower anchors by inserting your fingers into the lower anchor area. Feel to make sure there are no obstructions over the anchors such as seat belt webbing or seat cushion material. The child restraint will not be secured properly if the lower anchors are obstructed.

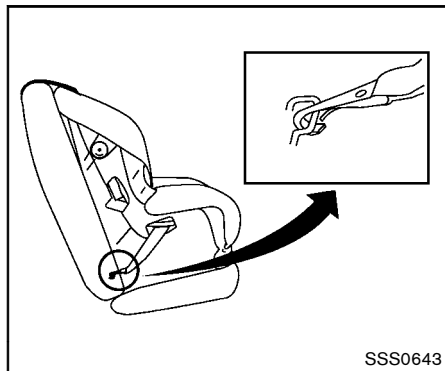




**LATCH lower anchor location**

### LATCH lower anchor location

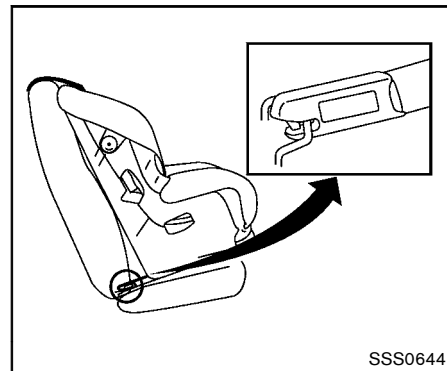
The LATCH anchors are located at the rear of the seat cushion near the seatback. A label is attached to the seatback to help you locate the LATCH anchors.



**LATCH webbing-mounted attachment**

### Installing child restraint LATCH lower anchor attachments

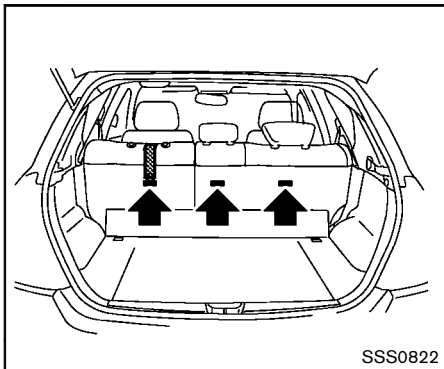
LATCH compatible child restraints include two rigid or webbing-mounted attachments that can be connected to two anchors located at certain seating positions in your vehicle. With this system, you do not have to use a vehicle seat belt to secure the child restraint. Check your child restraint for a label stating that it is compatible with LATCH. This information may also be in the instructions provided by the child restraint manufacturer.



**LATCH rigid-mounted attachment**

If your vehicle is equipped with a top tether anchor, it must be used when installing child restraints with the LATCH lower anchor attachments or seat belts. See “Top tether anchor (Hardtop models)” later in this section for installation instructions (Hardtop models).

When installing a child restraint, carefully read and follow the instructions in this manual and those supplied with the child restraint.



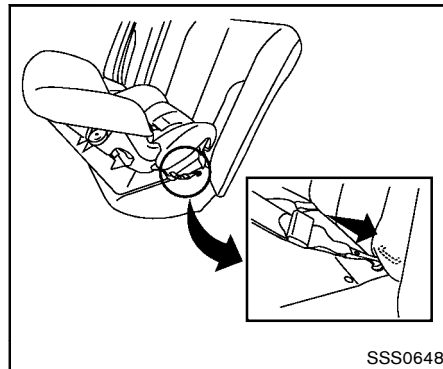
Top tether anchor (Hardtop models)

**WARNING**

- If the cargo cover (if so equipped) contacts the top tether strap when it is attached to the top tether anchor, remove the cargo cover from the vehicle or secure it on the cargo floor below its attachment location. If the cargo cover is not removed, it may damage the top tether strap during a collision. Your child could be seriously injured or killed in a collision if the child restraint top

tether strap is damaged.

- Do not allow cargo to contact the top tether strap when it is attached to the top tether anchor. Properly secure the cargo so it does not contact the top tether strap. Cargo that is not properly secured or cargo that contacts the top tether strap may damage the top tether strap during a collision. Your child could be seriously injured or killed in a collision if the child restraint top tether strap is damaged.



Rear-facing web-mounted — step 2

**Top tether anchor point locations:**

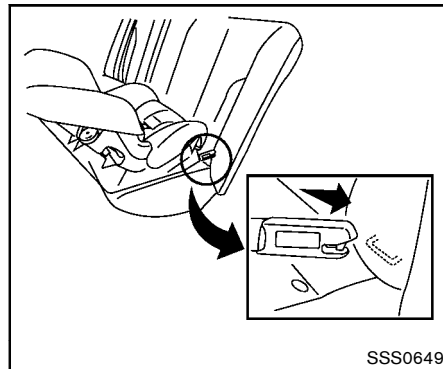
Anchor points are located on the back side of the seatbacks.

**REAR-FACING CHILD RESTRAINT INSTALLATION USING LATCH**

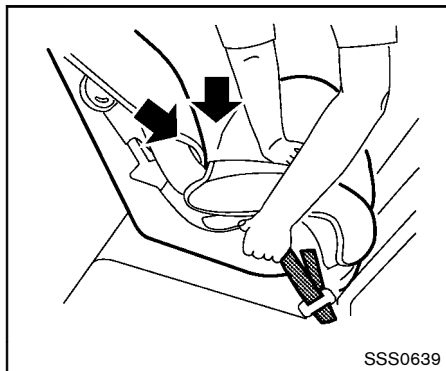
Refer to all Warnings and Cautions in the “Child safety” and “Child restraints” sections before installing a child restraint.

Follow these steps to install a rear-facing child restraint using the LATCH system:

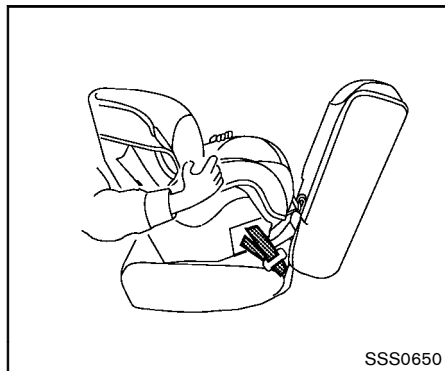
1. Position the child restraint on the seat. Always follow the child restraint manufacturer’s instructions.



Rear-facing rigid-mounted — step 2



Rear-facing — step 3



Rear-facing — step 4

2. Secure the child restraint anchor attachments to the LATCH lower anchors. Check to make sure the LATCH attachment is properly attached to the lower anchors.
3. For child restraints that are equipped with webbing-mounted attachments, remove any additional slack from the anchor attachments. Press downward and rearward firmly in the center of the child restraint with your hand to compress the vehicle seat cushion and seatback while tightening the webbing of the anchor attachments.

4. After attaching the child restraint, test it before you place the child in it. Push it from side to side while holding the child restraint near the LATCH attachment path. The child restraint should not move more than 1 inch (25 mm), from side to side. Try to tug it forward and check to see if the LATCH attachment holds the restraint in place. If the restraint is not secure, tighten the LATCH attachment as necessary, or put the restraint in another seat and test it again. You may need to try a different child restraint or try installing by using the vehicle seat belt (if applicable). Not all child restraints fit in all types of vehicles.

5. Check to make sure the child restraint is properly secured prior to each use. If the child restraint is loose, repeat steps 1 through 4.

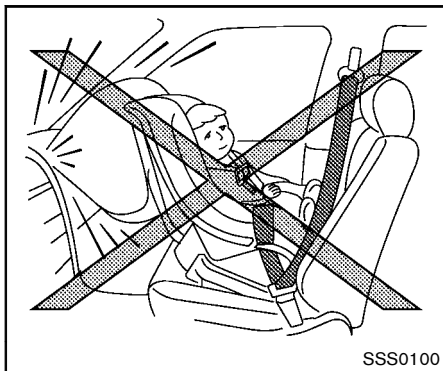
### REAR-FACING CHILD RESTRAINT INSTALLATION USING THE SEAT BELTS



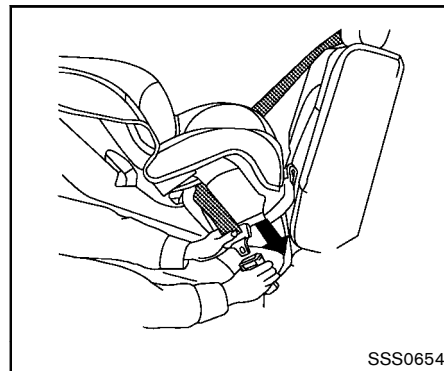
### WARNING

- **The three-point seat belt with Automatic Locking Retractor (ALR) must be used when installing a child restraint. Failure to use the ALR mode will result in the child restraint not being properly secured. The restraint could tip over or be loose and cause injury to a child in a sudden stop or collision. Also, it can change the operation of the front passenger air bag. See “Front passenger air bag and status light” later in this section.**
- **When installing a child restraint system in the rear center position, both the center seat belt connector tongue and buckle tongue must be secured. See “Rear center seat belt (Hardtop models)” earlier in this**

section. (Hardtop models)



Rear-facing — step 1



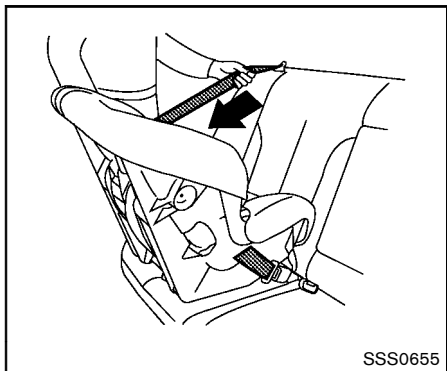
Rear-facing — step 2

Refer to all Warnings and Cautions in the “Child safety” earlier in this section and “Child restraints” earlier in this section before installing a child restraint.

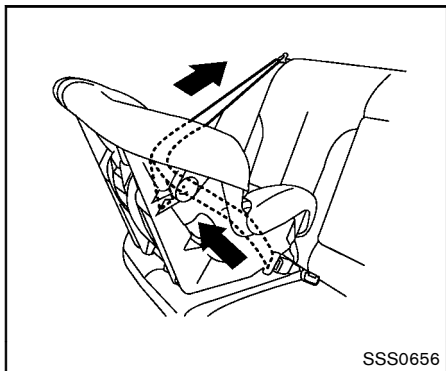
Follow these steps to install a rear-facing child restraint using the vehicle seat belts in the rear seats:

1. **Child restraints for infants must be used in the rear-facing direction and therefore must not be used in the front seat.** Position the child restraint on the seat. Always follow the restraint manufacturer's instructions.

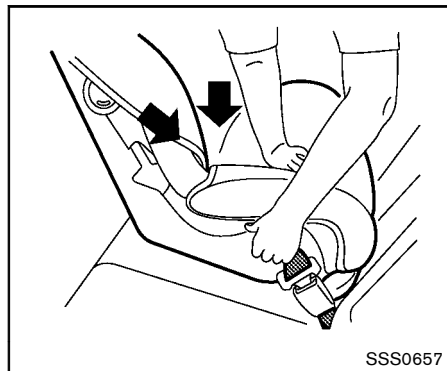
2. Route the seat belt tongue through the child restraint and insert it into the buckle until you hear and feel the latch engage. Be sure to follow the child restraint manufacturer's instructions for belt routing.



**Rear-facing — step 3**

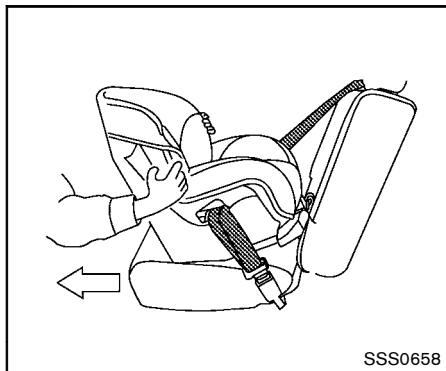


**Rear-facing — step 4**



**Rear-facing — step 5**

3. Pull the shoulder belt until the belt is fully extended. At this time, the seat belt retractor is in the Automatic Locking Retractor (ALR) mode (child restraint mode). It reverts to the Emergency Locking Retractor (ELR) mode when the seat belt is fully retracted.
4. Allow the seat belt to retract. Pull up on the shoulder belt to remove any slack in the belt.
5. Remove any additional slack from the seat belt; press downward and rearward firmly in the center of the child restraint to compress the vehicle seat cushion and seatback while pulling up on the seat belt.



**Rear-facing — step 6**

6. After attaching the child restraint, test it before you place the child in it. Push it from side to side while holding the child restraint near the seat belt path. The child restraint should not move more than 1 inch (25 mm), from side to side. Try to tug it forward and check to see if the belt holds the restraint in place. If the restraint is not secure, tighten the seat belt as necessary, or put the restraint in another seat and test it again. You may need to try a different child restraint. Not all child restraints fit in all types of vehicles.
7. Check to make sure that the child restraint is properly secured prior to each use. If the

seat belt is not locked, repeat steps 1 through 6.

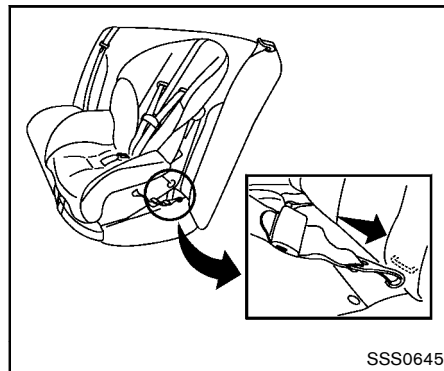
After the child restraint is removed and the seat belt fully retracted, the ALR mode (child restraint mode) is canceled.

### FORWARD-FACING CHILD RESTRAINT INSTALLATION USING LATCH (Hardtop models only)

Refer to all Warnings and Cautions in the “Child safety” and “Child restraints” sections before installing a child restraint.

Follow these steps to install a forward-facing child restraint using the LATCH system:

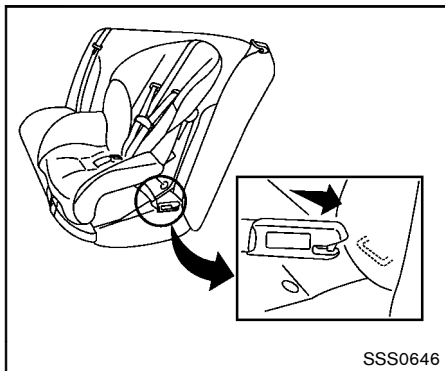
1. Position the child restraint on the seat. Always follow the child restraint manufacturer’s instructions.



**Forward-facing web-mounted — step 2**

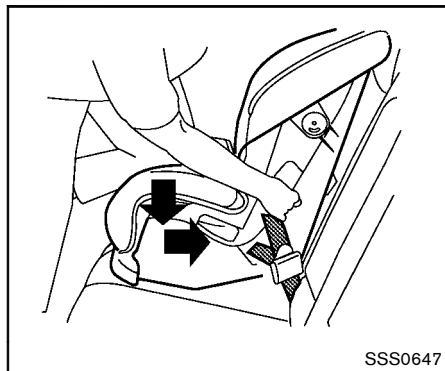
2. Secure the child restraint anchor attachments to the LATCH lower anchors. Check to make sure the LATCH attachment is properly attached to the lower anchors.

If the child restraint is equipped with a top tether strap, route the top tether strap and secure the tether strap to the tether anchor point. See “Installing top tether strap (Hardtop models)” later in this section. Do not install child restraints that require the use of a top tether strap in seating positions that do not have a top tether anchor.



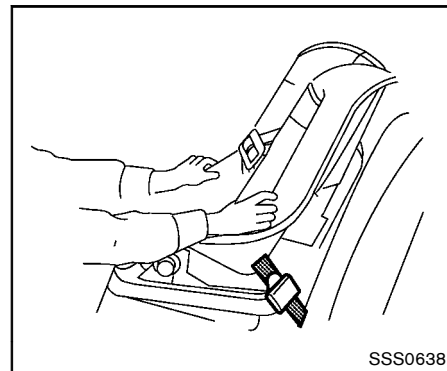
SSS0646

**Forward-facing rigid-mounted — step 2**



SSS0647

**Forward-facing — step 4**



SSS0638

**Forward-facing — step 6**

3. The back of the child restraint should be secured against the vehicle seatback.

If necessary, adjust or remove the head restraint to obtain the correct child restraint fit. If the head restraint is removed, store it in a secure place. **Be sure to reinstall the head restraint when the child restraint is removed.** See "Head restraints" earlier in this section for head restraint adjustment information.

If the seating position does not have an adjustable head restraint and it is interfering with the proper child restraint fit, try another seating position or a different child restraint.

4. For child restraints that are equipped with webbing-mounted attachments, remove any additional slack from the anchor attachments. Press downward and rearward firmly in the center of the child restraint with your knee to compress the vehicle seat cushion and seatback while tightening the webbing of the anchor attachments.
5. Tighten the tether strap according to the manufacturer's instructions to remove any slack.

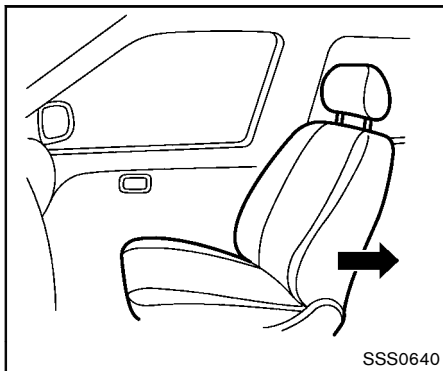
6. After attaching the child restraint, test it before you place the child in it. Push it from side to side while holding the child restraint near the LATCH attachment path. The child restraint should not move more than 1 inch (25 mm), from side to side. Try to tug it forward and check to see if the LATCH attachment holds the restraint in place. If the restraint is not secure, tighten the LATCH attachment as necessary, or put the restraint in another seat and test it again. You may need to try a different child restraint. Not all child restraints fit in all types of vehicles.
7. Check to make sure the child restraint is properly secured prior to each use. If the

child restraint is loose, repeat steps 1 through 6.

## FORWARD-FACING CHILD RESTRAINT INSTALLATION USING THE SEAT BELTS

### WARNING

- The three-point seat belt with Automatic Locking Retractor (ALR) must be used when installing a child restraint. Failure to use the ALR mode will result in the child restraint not being properly secured. The restraint could tip over or be loose and cause injury to a child in a sudden stop or collision. Also, it can change the operation of the front passenger air bag. See “Front passenger air bag and status light” later in this section.
- When installing a child restraint system in the rear center position, both the center seat belt connector tongue and buckle tongue must be secured. See “Rear center seat belt (Hardtop models)” earlier in this section. (for Hardtop models)



Forward-facing (front passenger seat) — step 1

Refer to all Warnings and Cautions in the “Child safety” and “Child restraints” sections before installing a child restraint.

Follow these steps to install a forward-facing child restraint using the vehicle seat belt in the rear seats or in the front passenger seat:

1. **If you must install a child restraint in the front seat, it should be placed in a forward-facing direction only. Move the seat to the rearmost position. Child restraints for infants must be used in the rear-facing direction and, therefore, must not be used in the front seat.**

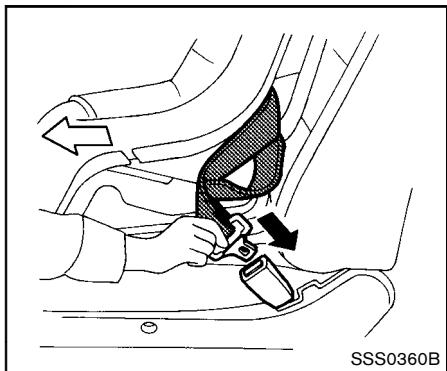
2. Position the child restraint on the seat. Always follow the child restraint manufacturer’s instructions.

The back of the child restraint should be secured against the vehicle seatback.

If necessary, adjust or remove the head restraint or headrest to obtain the correct child restraint fit. If the head restraint or headrest is removed, store it in a secure place. **Be sure to reinstall the head restraint or headrest when the child restraint is removed.** See “Head restraints” earlier in this section for head restraint or headrest adjustment, removal and installation information.

If the seating position does not have an adjustable head restraint or headrest and it is interfering with the proper child restraint fit, try another seating position or a different child restraint.

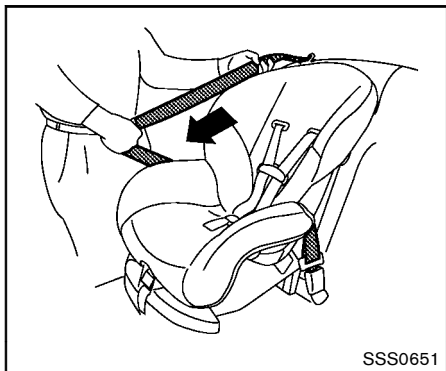




**Forward-facing — step 3**

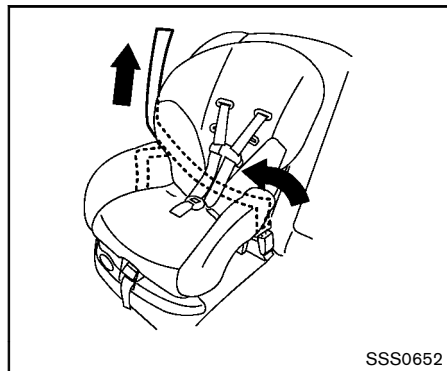
3. Route the seat belt tongue through the child restraint and insert it into the buckle until you hear and feel the latch engage. Be sure to follow the child restraint manufacturer's instructions for belt routing.

If the child restraint is equipped with a top tether strap, route the top tether strap and secure the tether strap to the tether anchor point (rear seat installation only, Hardtop models). See "Installing top tether strap (Hardtop models)" later in this section. Do not install child restraints that require the use of a top tether strap in seating positions that do not have a top tether anchor.



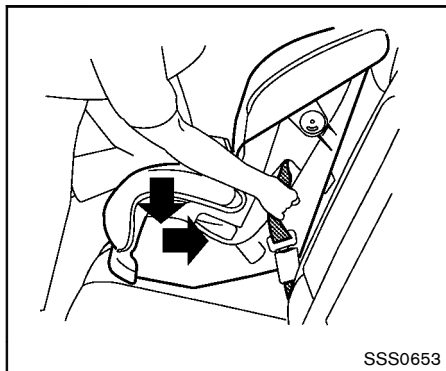
**Forward-facing — step 4**

4. Pull the shoulder belt until the belt is fully extended. At this time, the seat belt retractor is in the Automatic Locking Retractor (ALR) mode (child restraint mode). It reverts to Emergency Locking Retractor (ELR) mode when the seat belt is fully retracted.



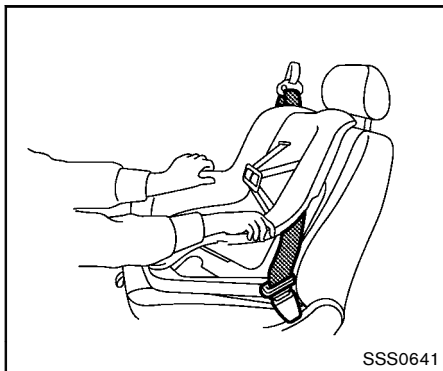
**Forward-facing — step 5**

5. Allow the seat belt to retract. Pull up on the shoulder belt to remove any slack in the belt.



**Forward-facing — step 6**

6. Remove any additional slack from the seat belt; press downward and rearward firmly in the center of the child restraint with your knee to compress the vehicle seat cushion and seatback while pulling up on the seat belt.
7. Tighten the tether strap according to the manufacturer's instructions to remove any slack.



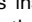
**Forward-facing — step 8**

8. After attaching the child restraint, test it before you place the child in it. Push it from side to side while holding the child restraint near the seat belt path. The child restraint should not move more than 1 inch (25 mm), from side to side. Try to tug it forward and check to see if the belt holds the restraint in place. If the restraint is not secure, tighten the seat belt as necessary, or put the restraint in another seat and test it again. You may need to try a different child restraint. Not all child restraints fit in all types of vehicles.
9. Check to make sure the child restraint is properly secured prior to each use. If the

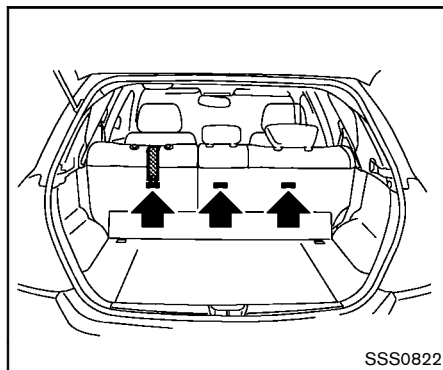
seat belt is not locked, repeat steps 2 through 8.



**Forward-facing — step 10**

10. If the child restraint is installed in the front passenger seat, place the ignition switch in the ON position. The front passenger air bag status light  should illuminate. If this light is not illuminated, see “Front passenger air bag and status light” later in this section. **Move the child restraint to another seating position.** Have the system checked by a NISSAN dealer.

After the child restraint is removed and the seat belt is fully retracted, the ALR mode (child restraint mode) is canceled.



**INSTALLING TOP TETHER STRAP (Hardtop models)**

First, secure the child restraint with the LATCH lower anchors (rear outboard seat positions only) or the seat belt, as applicable.

1. If necessary, raise or remove the head restraint or headrest to position the top tether strap over the top of the seatback. If the head restraint or headrest is removed, store it in a secure place. Be sure to reinstall the head restraint or headrest when the child restraint is removed.

See “Head restraints” earlier in this section for head restraint or headrest adjustment, removal and installation information.

Position the top tether strap over the top of the seatback.

2. Secure the top tether strap to the tether anchor point on the back of the seatback behind the child restraint.
3. Refer to the appropriate child restraint installation procedure steps in this section before tightening the tether strap.

**If you have any questions when installing a top tether strap, consult your NISSAN dealer for details.**

**BOOSTER SEATS**

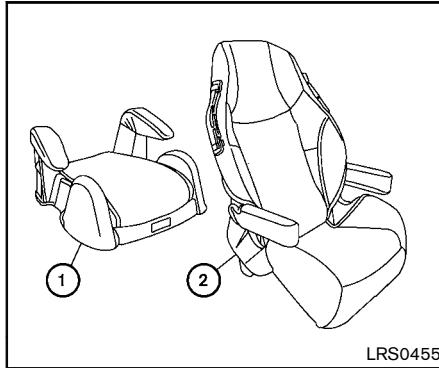
Precautions on booster seats



**If a booster seat and seat belt are not used properly, the risk of a child being injured in a sudden stop or collision greatly increases:**

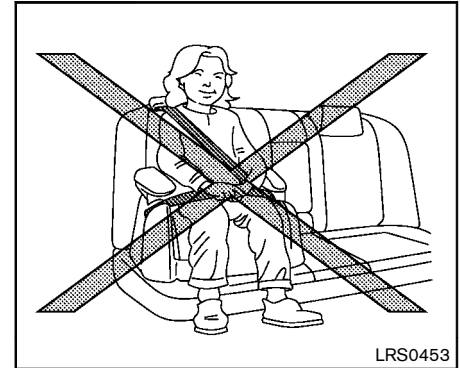
- **Make sure the shoulder portion of the belt is away from the child’s face and neck and the lap portion of the belt does not cross the stomach.**
- **Make sure the shoulder belt is not behind the child or under the child’s arm.**

- A booster seat must only be installed in a seating position that has a lap/shoulder belt.

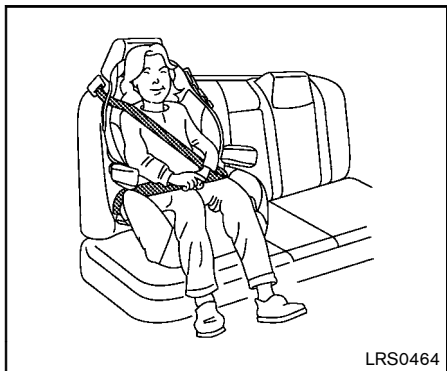


Booster seats of various sizes are offered by several manufacturers. When selecting any booster seat, keep the following points in mind:

- Choose only a booster seat with a label certifying that it complies with Federal Motor Vehicle Safety Standard 213 or Canadian Motor Vehicle Safety Standard 213.
- Check the booster seat in your vehicle to be sure it is compatible with the vehicle's seat and seat belt system.



- Make sure the child's head will be properly supported by the booster seat or vehicle seat. The seatback must be at or above the center of the child's ears. For example, if a low back booster seat ① is chosen, the vehicle seatback must be at or above the center of the child's ears. If the seatback is lower than the center of the child's ears, a high back booster seat ② should be used.
- If the booster seat is compatible with your vehicle, place your child in the booster seat and check the various adjustments to be sure the booster seat is compatible with your child. Always follow all recommended procedures.



**All U.S. states and Canadian provinces or territories require that infants and small children be restrained in an approved child restraint at all times while the vehicle is being operated.**

The instructions in this section apply to booster seat installation in the rear seats or the front passenger seat.

Booster seat installation



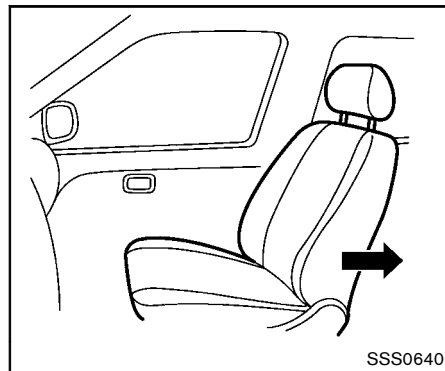
## CAUTION

**Do not use the lap/shoulder belt Automatic Locking Retractor (ALR) mode**

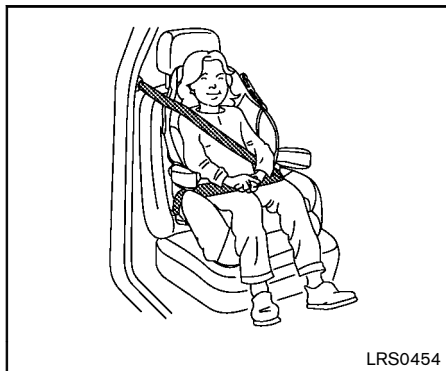
### when using a booster seat with the seat belts.

Refer to all Warnings and Cautions in the “Child safety” earlier in this section, “Child restraints” earlier in this section and “Booster seats” earlier in this section before installing a child restraint.

Follow these steps to install a booster seat in the rear seat or in the front passenger seat:



1. **If you must install a booster seat in the front seat, move the seat to the rear-most position.**
2. Position the booster seat on the seat. Only place it in a forward-facing direction. Always follow the booster seat manufacturer's instructions.



Front passenger position

3. The booster seat should be positioned on the vehicle seat so that it is stable.

If necessary, adjust or remove the head restraint or headrest to obtain the correct booster seat fit. If the head restraint or headrest is removed, store it in a secure place. **Be sure to reinstall the head restraint or headrest when the booster seat is removed.** See "Head restraints" earlier in this section for head restraint or headrest adjustment, removal and installation information.

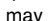
If the seating position does not have an adjustable head restraint or headrest and it

is interfering with the proper booster seat fit, try another seating position or a different booster seat.

4. Position the lap portion of the seat belt low and snug on the child's hips. Be sure to follow the booster seat manufacturer's instructions for adjusting the seat belt routing.
5. Pull the shoulder belt portion of the seat belt toward the retractor to take up extra slack. Be sure the shoulder belt is positioned across the top, middle portion of the child's shoulder. Be sure to follow the booster seat manufacturer's instructions for adjusting the seat belt routing.
6. Follow the warnings, cautions and instructions for properly fastening a seat belt shown in "Seat belts" earlier in this section.

PASSENGER  
AIR BAG  OFF

SSS0823

7. If the booster seat is installed in the front passenger seat, place the ignition switch in the ON position. The front passenger air bag status light  may or may not illuminate depending on the size of the child and the type of booster seat used. See "Front passenger air bag and status light" later in this section.

## SUPPLEMENTAL RESTRAINT SYSTEM

### PRECAUTIONS ON SUPPLEMENTAL RESTRAINT SYSTEM

This Supplemental Restraint System (SRS) section contains important information concerning the following systems:

- Driver and passenger supplemental front-impact air bag (NISSAN Advanced Air Bag System)
- Front seat-mounted side-impact supplemental air bag
- Roof-mounted curtain side-impact and rollover supplemental air bag (for Hardtop models)
- Door-mounted curtain side-impact and rollover supplemental air bag (for CrossCabriolet models)
- Seat belt pretensioner

#### **Supplemental front-impact air bag system:**

The NISSAN Advanced Air Bag System can help cushion the impact force to the head and chest of the driver and front passenger in certain frontal collisions.

#### **Front seat-mounted side-impact supplemental air bag system:**

This system can help cushion the impact force to the chest area of the driver and front passenger in certain side impact collisions. The side air bags are designed to inflate on the side where the vehicle is impacted.

#### **Roof-mounted curtain side-impact and rollover supplemental air bag system (for Hardtop models):**

This system can help cushion the impact force to the head of occupants in front and rear outboard seating positions in certain side impact or rollover collisions. In a side impact, the curtain and rollover air bags are designed to inflate on the side where the vehicle is impacted. In a rollover, the curtain and rollover air bags on both sides are designed to inflate. Under both side-impact and rollover situations, the curtain air bags will remain inflated for a short period of time.

#### **Door-mounted curtain side-impact and rollover supplemental air bag system (for CrossCabriolet models):**

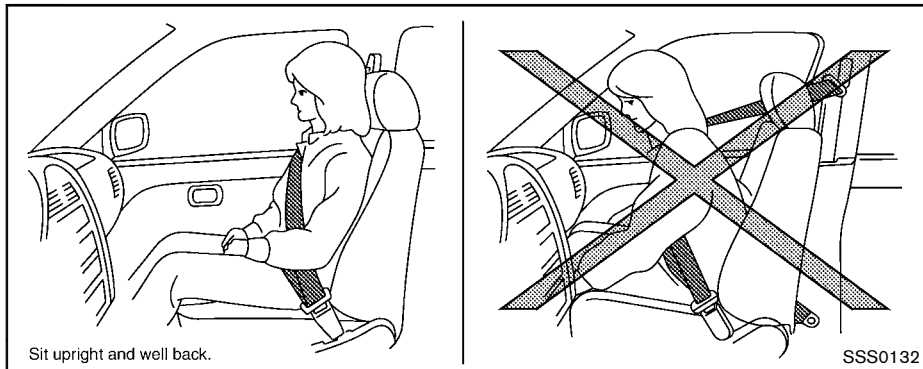
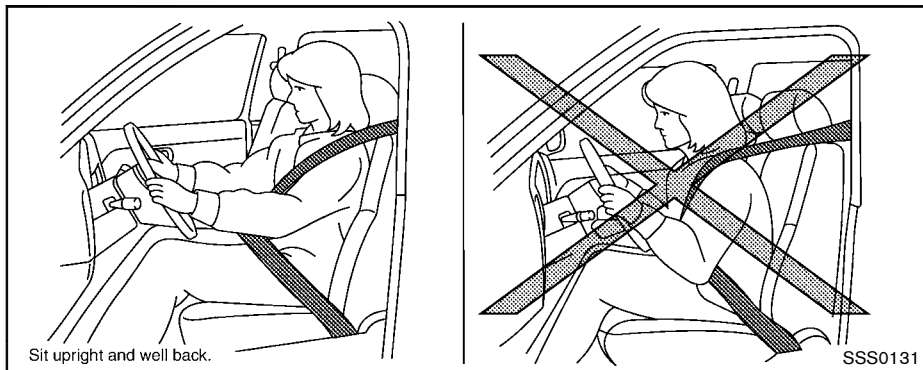
This system can help cushion the impact force to the heads of the driver and front passenger in certain side-impact or rollover collisions. In a side impact, the curtain and rollover air bags are designed to inflate on the side where the vehicle is impacted. In a rollover, the curtain and rollover air bags on both sides are designed to inflate. Under both side-impact and rollover situations, the curtain air bags will remain inflated for a short period of time.

These supplemental restraint systems are designed to **supplement** the crash protection provided by the driver and passenger seat belts and are **not a substitute** for them. Seat belts

should always be correctly worn and the occupant seated a suitable distance away from the steering wheel, instrument panel and door finishers. (See “Seat belts” earlier in this section for instructions and precautions on seat belt usage.)

**The supplemental air bags operate only when the ignition switch is in the ON position.**

**After pushing the ignition switch to the ON position, the supplemental air bag warning light illuminates. The supplemental air bag warning light will turn off after about 7 seconds if the systems are operational.**



## **WARNING**

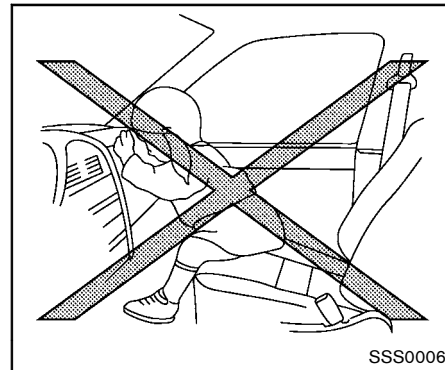
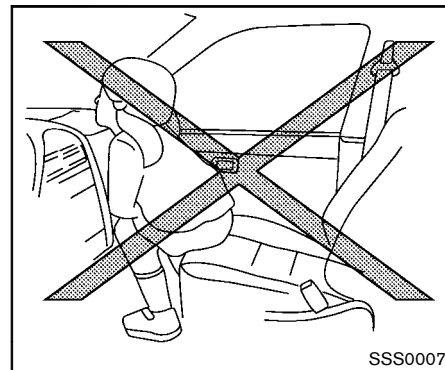
- The front air bags ordinarily will not inflate in the event of a side impact, rear impact, rollover, or lower severity frontal collision. Always wear your seat belts to help reduce the risk or severity of injury in various kinds of accidents.
- The front passenger air bag will not inflate if the passenger air bag status light is lit or if the front passenger seat is unoccupied. See “Front passenger air bag and status light” later in this section.
- The seat belts and the front air bags are most effective when you are sitting well back and upright in the seat with both feet on the floor. The front air bags inflate with great force. Even with the NISSAN Advanced Air Bag System, if you are unrestrained, leaning forward, sitting sideways or out of position in any way, you are at greater risk of injury or death in a crash. You may also receive serious or fatal injuries from the front air bag if you are up against it when it inflates. Always sit

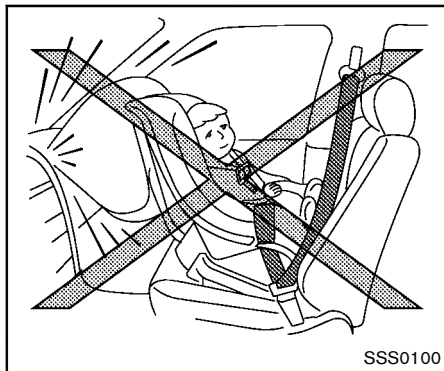
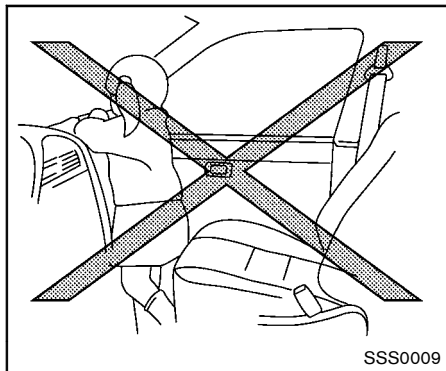
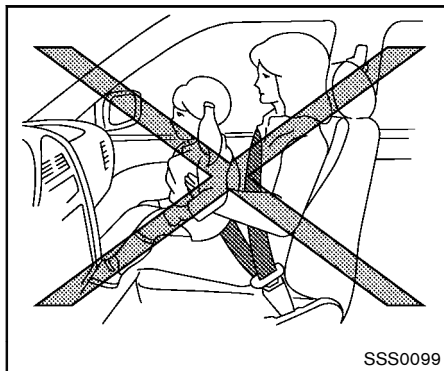
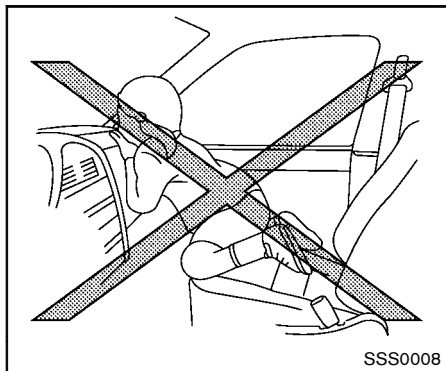


back against the seatback and as far-away as practical from the steering wheel or instrument panel. Always use the seat belts.

- The driver and front passenger seat belt buckles are equipped with sensors that detect if the seat belts are fastened. The Advanced Air Bag System monitors the severity of a collision and seat belt usage then inflates the air bags as needed. Failure to properly wear seat belts can increase the risk or severity of injury in an accident.
- The front passenger seat is equipped with an occupant classification sensor (pattern sensor) that turns the front passenger air bag OFF under some conditions. This sensor is only used in this seat. Failure to be properly seated and wearing the seat belt can increase the risk or severity of injury in an accident. See “Front passenger air bag and status light” later in this section.
- Keep hands on the outside of the steering wheel. Placing them inside the steering wheel rim could in-

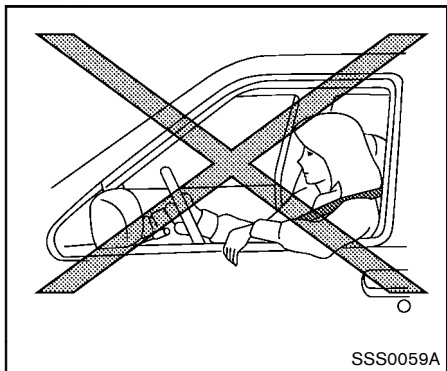
crease the risk that they are injured if the front air bag inflates.



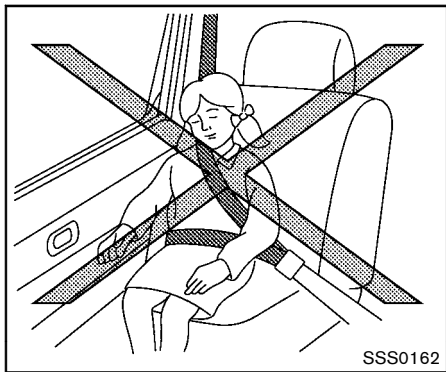
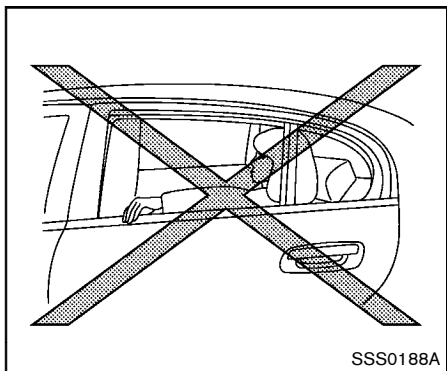
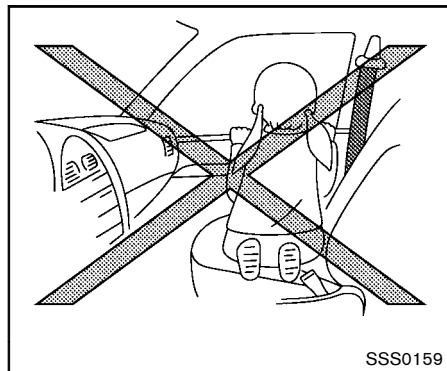
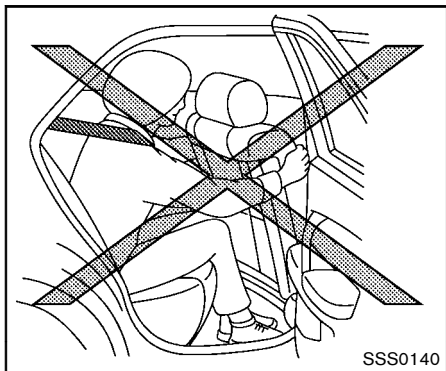


## WARNING

- Never let children ride unrestrained or extend their hands or face out of the window. Do not attempt to hold them in your lap or arms. Some examples of dangerous riding positions are shown in the illustrations.
- Children may be severely injured or killed when the front air bags, side air bags or curtain and rollover air bags inflate if they are not properly restrained. Pre-teens and children should be properly restrained in the rear seat, if possible.
- Even with the NISSAN Advanced Air Bag System, never install a rear-facing child restraint in the front seat. An inflating front air bag could seriously injure or kill your child. See “Child restraints” earlier in this section for details.



Do not lean against doors or windows.



 **WARNING**

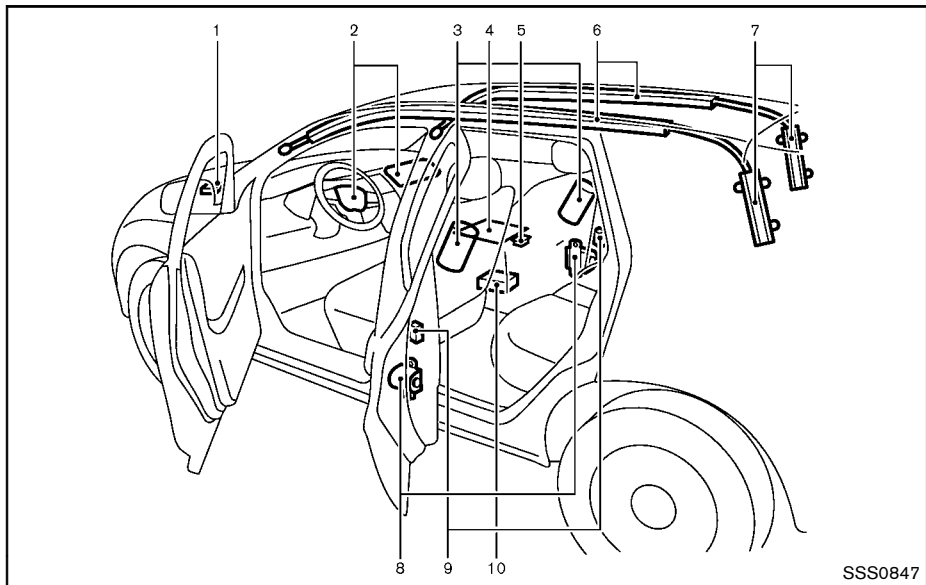
Front seat-mounted side-impact supplemental air bags and roof-mounted curtain side-impact and rollover supplemental air bags (Hardtop models) or door-mounted curtain side-impact and rollover supplemental air bags (Cross-Cabriolet models):

- The side air bags and curtain air bags ordinarily will not inflate in the event of a frontal impact, rear impact or lower severity side collision. Always wear your seat belts to help

reduce the risk or severity of injury in various kinds of accidents.

- The seat belts and air bags are most effective when you are sitting well back and upright in the seat with both feet on the floor. The air bags inflate with great force. Do not allow anyone to place their hand, leg or face near the side air bag on the side of the seatback of the front seat, near the side roof rails (Hard-top models), or near the top of the door finisher (CrossCabriolet models). Do not allow anyone sitting in the front seats or rear outboard seats to extend their hand out of the window or lean against the door. Some examples of dangerous riding positions are shown in the previous illustrations.
- When sitting in the rear seat, do not hold onto the seatback of the front seat. If the side air bag inflates, you may be seriously injured. Be especially careful with children, who should always be properly restrained. Some examples of dangerous riding positions are shown in the illustrations.

- Do not use seat covers on the front seatbacks. They may interfere with side air bag inflation.



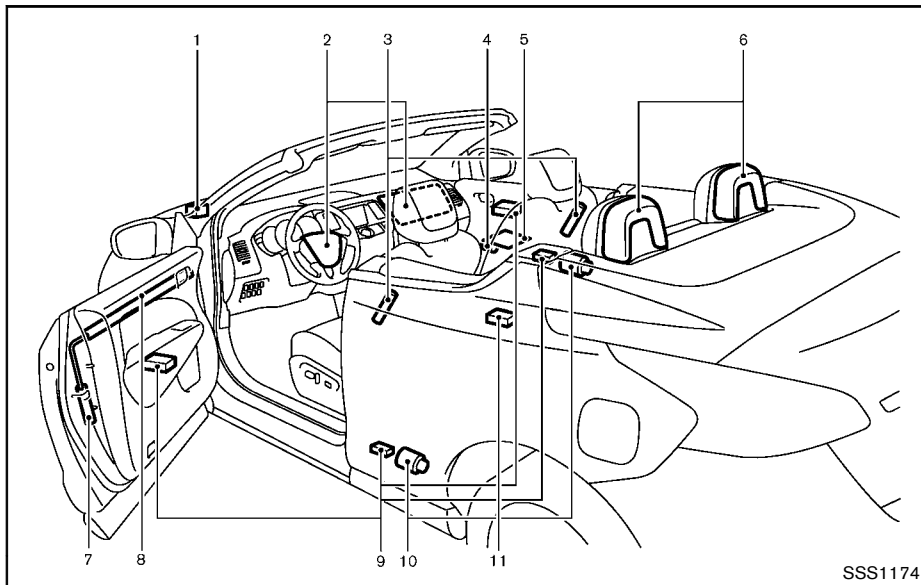
10. Air bag Control Unit (ACU)

Hardtop models

SSS0847

### NISSAN ADVANCED AIR BAG SYSTEM (front seats)

- |  |   |
|--|---|
| 1. Crash zone sensor   | 6. Roof-mounted curtain side-impact and rollover supplemental air bags          |
| 2. Supplemental front-impact air bag modules                   | 7. Roof-mounted curtain side-impact and rollover supplemental air bag inflators |
| 3. Front seat-mounted side-impact supplemental air bag modules | 8. Seat belt pretensioners  |
| 4. Occupant classification sensor (pattern sensor)             | 9. Satellite sensors  |
| 5. Occupant classification system control unit                 |   |



CrossCabriolet models

SSS1174

- |   |   |
|---|---|
| 1. Crash zone sensor                                    | 7. Door-mounted curtain side-impact and rollover supplemental air bag inflators |
| 2. Supplemental front-impact air bag modules            | 8. Door-mounted curtain side-impact and rollover supplemental air bags          |
| 3. Front seat-mounted side-impact supplemental air bags | 9. Satellite sensors  |
| 4. Occupant classification system control unit          | 10. Seat belt pretensioners   |
| 5. Occupant classification sensor (pattern sensor)      | 11. Air bag Control Unit (ACU)  |
| 6. Dual pop-up roll bars                                |   |

This vehicle is equipped with the NISSAN Advanced Air Bag System for the driver and front passenger seats. This system is designed to meet certification requirements under U.S. regulations. It is also permitted in Canada. **However, all of the information, cautions and warnings in this manual still apply and must be followed.**

The driver supplemental front-impact air bag is located in the center of the steering wheel; the passenger supplemental front-impact air bag is mounted in the instrument panel above the glove box. The front air bags are designed to inflate in higher severity frontal collisions, although they may inflate if the forces in another type of collision are similar to those of a higher severity frontal impact. They may not inflate in certain frontal collisions. Vehicle damage (or lack of it) is not always an indication of proper front air bag operation.

The NISSAN Advanced Air Bag System has dual stage air bag inflators. The system monitors information from the crash zone sensor, satellite sensor, Air bag Control Unit (ACU), seat belt buckle sensors and occupant classification sensor (pattern sensor). Inflator operation is based on the severity of a collision and seat belt usage for the driver. For the front passenger, the occupant classification sensor is also monitored. Based on information from the sensors, only one

front air bag may inflate in a crash, depending on the crash severity and whether the front occupants are belted or unbelted. Additionally, the front passenger air bag may be automatically turned OFF under some conditions, depending on the information provided by the occupant classification sensor. If the front passenger air bag is OFF, the passenger air bag status light will be illuminated (if the seat is unoccupied, the light will not be illuminated, but the air bag will be off). (See “Front passenger air bag and status light” later in this section for further details.) One front air bag inflating does not indicate improper performance of the system.

If you have any questions about your air bag system, contact NISSAN or a NISSAN dealer. If you are considering modification of your vehicle due to a disability, you may also contact NISSAN. Contact information is contained in the front of this Owner’s Manual.

When a front air bag inflates, a fairly loud noise may be heard, followed by release of smoke. This smoke is not harmful and does not indicate a fire. Care should be taken not to inhale it, as it may cause irritation and choking. Those with a history of a breathing condition should get fresh air promptly.

Front air bags, along with the use of seat belts, help to cushion the impact force on the head

and chest of the front occupants. They can help save lives and reduce serious injuries. However, an inflating front air bag may cause facial abrasions or other injuries. Front air bags do not provide restraint to the lower body.

Even with NISSAN Advanced Air Bags, seat belts should be correctly worn and the driver and passenger seated upright as far as practical away from the steering wheel or instrument panel. The front air bags inflate quickly in order to help protect the front occupants. Because of this, the force of the front air bag inflating can increase the risk of injury if the occupant is too close to, or is against, the air bag module during inflation.

The front air bags will deflate quickly after a collision.

**The front air bags operate only when the ignition switch is in the ON position.**

**After pushing the ignition switch to the ON position, the supplemental air bag warning light illuminates. The supplemental air bag warning light will turn off after about 7 seconds if the system is operational.**



Front passenger air bag status light

Front passenger air bag and status light




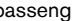


## WARNING

**The front passenger air bag is designed to automatically turn OFF under some conditions. Read this section carefully to learn how it operates. Proper use of the seat, seat belt and child restraints is necessary for most effective protection. Failure to follow all instructions in this manual concerning the use of seats, seat belts and child restraints can increase the risk or severity of injury in**

an accident.

### Status light:

The front passenger air bag status light  is located on the instrument panel below the air conditioner controls. After the ignition switch is placed in the ON position, the front passenger air bag status light illuminates for about 7 seconds and then turns off or illuminates depending on the front passenger seat occupied status. The light operates as follows:

- Unoccupied passenger seat: The  light is OFF and the front passenger air bag is OFF and will not inflate in a crash.
- Passenger's seat occupied by a small adult, child or child restraint as outlined in this section: The  light illuminates to indicate that the front passenger air bag is OFF and will not inflate in a crash.
- Occupied passenger seat and the passenger meets the conditions outlined in this section: The  light is OFF to indicate that the front passenger air bag is operational.

### Front passenger air bag:

The front passenger air bag is designed to automatically turn OFF when the vehicle is operated under some conditions as described

below as permitted by U.S. regulations. If the front passenger air bag is OFF, it will not inflate in a crash. The driver air bag and other air bags in your vehicle are not part of this system.

The purpose of the regulation is to help reduce the risk of injury or death from an inflating air bag to certain front passenger seat occupants, such as children, by requiring the air bag to be automatically turned OFF.

The occupant classification sensor (pattern sensor) is in the front passenger seat cushion and is designed to detect an occupant and objects on the seat. For example, if a child is in the front passenger seat, the Advanced Air Bag System is designed to turn the passenger air bag OFF in accordance with the regulations. Also, if a child restraint of the type specified in the regulations is on the seat, the occupant classification sensor can detect it and cause the air bag to turn OFF.

Front passenger seat adult occupants who are properly seated and using the seat belt as outlined in this manual should not cause the passenger air bag to be automatically turned OFF. For small adults it may be turned OFF, however, if the occupant does not sit in the seat properly (for example, by not sitting upright, by sitting on an edge of the seat, or by otherwise being out of position), this could cause the

sensor to turn the air bag OFF. Always be sure to be seated and wearing the seat belt properly for the most effective protection by the seat belt and supplemental air bag.

NISSAN recommends that pre-teens and children be properly restrained in a rear seat. NISSAN also recommends that appropriate child restraints and booster seats be properly installed in a rear seat. If this is not possible, the occupant classification sensor is designed to operate as described above to turn the front passenger air bag OFF for specified child restraints. Failing to properly secure child restraints and to use the Automatic Locking Retractor (ALR) mode (child restraint mode) may allow the restraint to tip or move in an accident or sudden stop. This can also result in the passenger air bag inflating in a crash instead of being OFF. (See "Child restraints" earlier in this section for proper use and installation.)

If the front passenger seat is not occupied, the passenger air bag is designed not to inflate in a crash. However, heavy objects placed on the seat could result in air bag inflation, because of the object being detected by the occupant classification sensor. Other conditions could also result in air bag inflation, such as if a child is standing on the seat, or if two children are on the seat, contrary to the instructions in this manual. Always be sure that you and all vehicle



occupants are seated and restrained properly.

Using the passenger air bag status light, you can monitor when the front passenger air bag is automatically turned OFF with the seat occupied. The light will not illuminate when the front passenger seat is unoccupied.


If an adult occupant is in the seat but the passenger air bag status light is illuminated (indicating that the air bag is OFF), it could be that the person is a small adult, or is not sitting on the seat properly.

If a child restraint must be used in the front seat, the passenger air bag status light may or may not be illuminated, depending on the size of the child and the type of child restraint being used. If the air bag status light is not illuminated (indicating that the air bag might inflate in a crash), it could be that the child restraint or seat belt is not being used properly. Make sure that the child restraint is installed properly, the seat belt is used properly and the occupant is positioned properly. If the air bag status light is not illuminated, reposition the occupant or child restraint in a rear seat.

If the passenger air bag status light will not illuminate even though you believe that the child restraint, the seat belts and the occupant are properly positioned, the system may be sensing an unoccupied seat (in which case the air bag is

OFF). Your NISSAN dealer can check that the system is OFF by using a special tool. However, until you have confirmed with your dealer that your air bag is working properly, reposition the occupant or child restraint in a rear seat.

The air bag system and passenger air bag status light will take a few seconds to register a change in the passenger seat status. However, if the seat becomes unoccupied, the air bag status light will remain off.

If a malfunction occurs in the front passenger air bag system, the supplemental air bag warning light  , located in the meter and gauges area, will blink. Have the system checked by a NISSAN dealer.

Other supplemental front-impact air bag precautions



## WARNING

- **Do not place any objects on the steering wheel pad or on the instrument panel. Also, do not place any objects between any occupant and the steering wheel or instrument panel. Such objects may become dangerous projectiles and cause injury if the front air bags inflate.**

- **Do not place objects with sharp edges on the seat. Also, do not place heavy objects on the seat that will leave permanent impressions in the seat. Such objects can damage the seat or occupant classification sensor (pattern sensor). This can affect the operation of the air bag system and result in serious personal injury.**
- **Do not use water or acidic cleaners (hot steam cleaners) on the seat. This can damage the seat or occupant classification sensor. This can also affect the operation of the air bag system and result in serious personal injury.**
- **Immediately after inflation, several front air bag system components will be hot. Do not touch them; you may severely burn yourself.**
- **No unauthorized changes should be made to any components or wiring of the supplemental air bag system. This is to prevent accidental inflation of the supplemental air bag or damage to the supplemental air bag system.**

- **Do not make unauthorized changes to your vehicle's electrical system, suspension system or front end structure. This could affect proper operation of the front air bag system.**
- **Tampering with the supplemental air bag system may result in serious personal injury. Tampering includes changes to the steering wheel and the instrument panel assembly by placing material over the steering wheel pad and above the instrument panel or by installing additional trim material around the air bag system.**
- **Modifying or tampering with the front passenger seat may result in serious personal injury. For example, do not change the front seats by placing material on the seat cushion or by installing additional trim material, such as seat covers, on the seat that is not specifically designed to assure proper air bag operation. Additionally, do not stow any objects under the front passenger seat or the seat cushion and seatback. Such objects may interfere with the proper operation of the occupant**

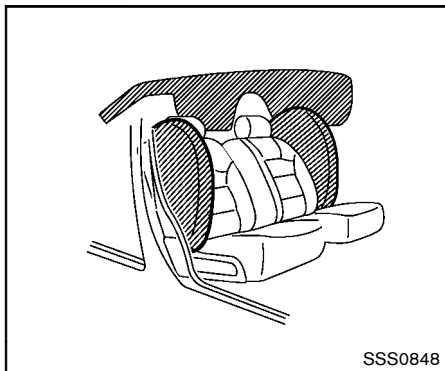
**classification sensor.**

- **No unauthorized changes should be made to any components or wiring of the seat belt system. This may affect the front air bag system. Tampering with the seat belt system may result in serious personal injury.**
- **Work on and around the front air bag system should be done by a NISSAN dealer. Installation of electrical equipment should also be done by a NISSAN dealer. The Supplemental Restraint System (SRS) wiring harnesses\* should not be modified or disconnected. Unauthorized electrical test equipment and probing devices should not be used on the air bag system.**
- **A cracked windshield should be replaced immediately by a qualified repair facility. A cracked windshield could affect the function of the supplemental air bag system.**

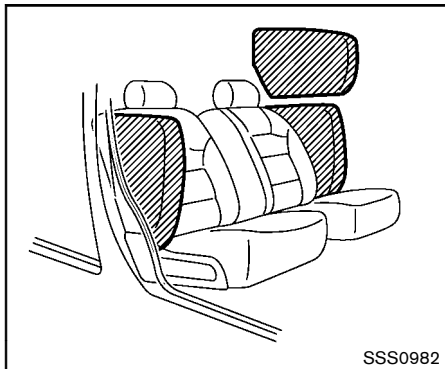
\* **The SRS wiring harness connectors are yellow and orange for easy identification.**

When selling your vehicle, we request that you

inform the buyer about the front air bag system and guide the buyer to the appropriate sections in this Owner's Manual.



Hardtop models



CrossCabriolet models

### FRONT SEAT-MOUNTED SIDE-IMPACT SUPPLEMENTAL AIR BAG AND ROOF-MOUNTED CURTAIN SIDE-IMPACT AND ROLLOVER SUPPLEMENTAL AIR BAG (Hardtop models) OR DOOR-MOUNTED CURTAIN SIDE-IMPACT AND ROLLOVER SUPPLEMENTAL AIR BAG (CrossCabriolet models) SYSTEMS

The side air bags are located in the outside of the seatback of the front seats. The curtain air bags are located in the side roof rails (Hardtop models) or upper side of the door trim (CrossCabriolet models). These systems are designed to meet voluntary guidelines to help reduce the risk of injury to out-of-position occupants. **However, all of the information, cautions and warnings in this manual still apply and must be followed.** The side air bags and curtain and rollover air bags are designed to inflate in higher severity side collisions, although they may inflate if the forces in another type of collision are similar to those of a higher severity side impact. They are designed to inflate on the side where the vehicle is impacted. They may not inflate in certain side collisions. Curtain and rollover air bags are also designed to inflate in certain types of rollover collisions or near rollovers.

Vehicle damage (or lack of it) is not always an indication of proper side air bag and curtain and rollover air bag operation.

When the side air bags and curtain and rollover air bags inflate, a fairly loud noise may be heard, followed by release of smoke. This smoke is not harmful and does not indicate a fire. Care should be taken not to inhale it, as it may cause irritation and choking. Those with a history of a breathing condition should get fresh air promptly.

Side air bags, along with the use of seat belts, help to cushion the impact force on the chest and pelvic area of the front occupants. Curtain and rollover air bags help to cushion the impact force to the heads of occupants in the front and rear outboard seating positions (Hardtop models) or the heads of the driver and front passenger (CrossCabriolet models). They can help save lives and reduce serious injuries. However, side air bags and curtain and rollover air bags may cause abrasions or other injuries. Side air bags and curtain and rollover air bags do not provide restraint to the lower body.

The seat belts should be correctly worn and the driver and passenger seated upright as far as practical away from the side air bags. Rear seat passengers should be seated as far away as practical from the door finishers and side roof rails. The side air bags and curtain and rollover

air bags inflate quickly in order to help protect the occupants. Because of this, the force of the side air bags and curtain and rollover air bags inflating can increase the risk of injury if the occupant is too close to, or is against, these air bag modules during inflation. In a rollover, the curtain and rollover air bags on both sides are designed to inflate. Under both side-impact and rollover situations, the curtain air bags will remain inflated for a short period of time.

**The side air bags and curtain and rollover air bags operate only when the ignition switch is in the ON position.**

**After pushing the ignition switch to the ON position, the supplemental air bag warning light illuminates. The supplemental air bag warning light will turn off after about 7 seconds if the systems are operational.**



## **WARNING**

- **Do not place any objects near the seatback of the front seats. Also, do not place any objects (an umbrella, bag, etc.) between the front door finisher and the front seat. Such objects may become dangerous projectiles and cause injury if a side air bag or door-mounted curtain air**

**bag (CrossCabriolet model) inflates.**

- **Right after inflation, several side air bag and curtain and rollover air bag system components will be hot. Do not touch them; you may severely burn yourself.**
- **No unauthorized changes should be made to any components or wiring of this side air bag and curtain and rollover air bags. This is to prevent damage to or accidental inflation of the side-impact air bag and curtain side-impact and rollover air bag systems.**
- **Do not make unauthorized changes to your vehicle's electrical system, suspension system, door panel, door trim, or side panel. This could affect proper operation of the side air bag and curtain and rollover air bag systems.**
- **Tampering with the supplemental air bag system may result in serious personal injury. For example, do not change the front seats by placing material near the seatbacks or by installing additional trim material, such as seat covers, around the side air bag.**

- **Work around and on the side air bag and curtain and rollover air bag systems should be done by a NISSAN dealer. Installation of electrical equipment should also be done by a NISSAN dealer. The Supplemental Restraint System (SRS) wiring harnesses\* should not be modified or disconnected. Unauthorized electrical test equipment and probing devices should not be used on the side air bag and curtain and rollover air bag systems.**

\* **The SRS wiring harness connectors are yellow and orange for easy identification.**

When selling your vehicle, we request that you inform the buyer about the side air bag and curtain and rollover air bag systems and guide the buyer to the appropriate sections in this Owner's Manual.

**SEAT BELTS WITH PRETENSIONERS**  
(front seats)



## **WARNING**

- **The pretensioners cannot be reused after activation. They must be re-**

placed together with the retractor and buckle as a unit.

- **If the vehicle becomes involved in a collision but a pretensioner is not activated, be sure to have the pretensioner system checked and, if necessary, replaced by a NISSAN dealer.**
- **No unauthorized changes should be made to any components or wiring of the pretensioner system. This is to prevent damage to or accidental activation of the pretensioners. Tampering with the pretensioner system may result in serious personal injury.**
- **Work around and on the pretensioner system should be done by a NISSAN dealer. Installation of electrical equipment should also be done by a NISSAN dealer. Unauthorized electrical test equipment and probing devices should not be used on the pretensioner system.**
- **If you need to dispose of a pretensioner or scrap the vehicle, contact a NISSAN dealer. Correct pretensioner disposal procedures are set forth in the appropriate NISSAN**


**Service Manual. Incorrect disposal procedures could cause personal injury.**

The pretensioner system may activate with the supplemental air bag system in certain types of collisions. Working with the seat belt retractor, it helps tighten the seat belt when the vehicle becomes involved in certain types of collisions, helping to restrain front seat occupants.

The pretensioner is encased with the seat belt retractor. These seat belts are used the same way as conventional seat belts.

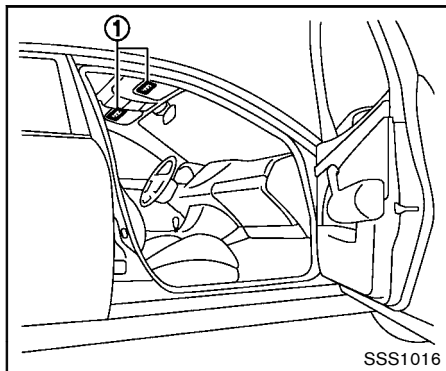
When a pretensioner activates, smoke is released and a loud noise may be heard. The smoke is not harmful and does not indicate a fire. Care should be taken not to inhale it, as it may cause irritation and choking. Those with a history of a breathing condition should get fresh air promptly.

After pretensioner activation, load limiters allow the seat belt to release webbing (if necessary) to reduce forces against the chest.

The supplemental air bag warning light  is used to indicate malfunctions in the pretensioner system. (See "Supplemental air bag warning light" later in this section for more details.) If the operation of the supplemental air bag warning light indicates there is a malfunction, have the

system checked by a NISSAN dealer.

When selling your vehicle, we request that you inform the buyer about the pretensioner system and guide the buyer to the appropriate sections in this Owner's Manual.



## SUPPLEMENTAL AIR BAG WARNING LABELS


Warning labels about the supplemental front-impact air bag system are placed in the vehicle as shown in the illustration.

### SRS air bag

The warning labels ① are located on the surface of the sun visors.



## SUPPLEMENTAL AIR BAG WARNING LIGHT

The supplemental air bag warning light, displaying  in the instrument panel, monitors the circuits for the air bag systems, pretensioner seat belt system and all related wiring.

When the ignition switch is in the ON position, the supplemental air bag warning light illuminates for about 7 seconds and then turns off. This means the SRS air bag systems are operational.

If any of the following conditions occur, the air bags and/or pretensioner systems need servicing:

- The supplemental air bag warning light remains on after approximately 7 seconds.
- The supplemental air bag warning light flashes intermittently.
- The supplemental air bag warning light does not come on at all.

Under these conditions, the air bags and/or pretensioner systems may not operate properly. They must be checked and repaired. Take your vehicle to the nearest NISSAN dealer.



## WARNING

**If the supplemental air bag warning light is on, it could mean that the air bags and/or pretensioner systems will not operate in an accident. To help avoid injury to yourself or others, have your vehicle checked by a NISSAN dealer as soon as possible.**

## REPAIR AND REPLACEMENT PROCEDURE

The front air bags, side air bags, curtain and rollover air bags and pretensioners are designed to activate on a one-time-only basis. As a reminder, unless it is damaged, the supplemental air bag warning light will remain illuminated after inflation has occurred. Repair and replace

ment of these systems should be done only by a NISSAN dealer.

When maintenance work is required on the vehicle, the front air bags, side air bags, curtain and rollover air bags and pretensioners and related parts should be pointed out to the person performing the maintenance. The ignition switch should always be in the LOCK position when working under the hood or inside the vehicle.

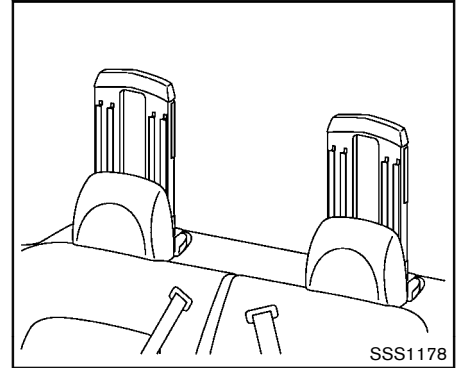


## WARNING

- **Once a front air bag, side air bag or curtain and rollover air bag has inflated, the air bag module will not function again and must be replaced. Additionally, the activated pretensioners must also be replaced. The air bag module and pretensioner system should be replaced by a NISSAN dealer. The air bag modules and pretensioner system cannot be repaired.**
- **The front air bag, side air bag and curtain and rollover air bag systems, and pretensioner system should be inspected by a NISSAN dealer if there is any damage to the front**

**end or side portion of the vehicle.**

- **If you need to dispose of a supplemental air bag or pretensioner systems, or scrap the vehicle, contact a NISSAN dealer. Correct supplemental air bag and pretensioner system disposal procedures are set forth in the appropriate NISSAN Service Manual. Incorrect disposal procedures could cause personal injury.**



### DUAL POP-UP ROLL BAR SYSTEM (CrossCabriolet models)

The dual pop-up roll bars are designed to deploy only during rollover collisions. The dual pop-up roll bars are located behind the rear seatback and deploy when the Air bag Control Unit (ACU) judges that the vehicle will overturn.

The dual pop-up roll bars, with proper seat belt usage, help preserve occupant headroom in a rollover collision and can help reduce the risk of occupant injury.



## **WARNING**

Failure to follow the warnings and instructions in this section may result in serious injury or death.

- The dual pop-up roll bars deploy upward at a high speed when activated. Keep hands and other body parts away from the dual pop-up roll bars.
- Never place objects (such as umbrellas or accessories) near the dual pop-up roll bars, which deploy from the top of rear seatback. Such objects can become dangerous projectiles when dual pop-up roll bars deploy.
- Tampering with the dual pop-up roll bars may cause them to unintentionally deploy or operate abnormally.
- Never open the dual pop-up roll bar covers or modify or disassemble the dual pop-up roll bars.
- Do not sit, place a heavy object, or apply a strong load on the dual pop-up roll bar cover. Doing so could cause damage to the cover or cause

the dual pop-up roll bar to not operate properly.

- Never allow anyone other than a NISSAN dealer to retract or repair the dual pop-up roll bars. Always contact a NISSAN dealer after dual pop-up roll bars deploy.



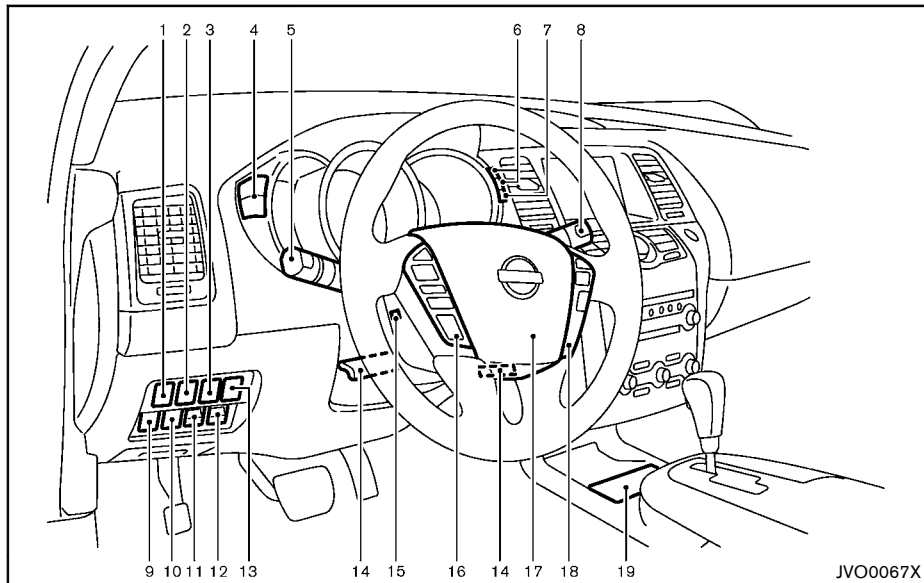
**MEMO**

## 2 Instruments and controls

|   |      |  |      |
|---|------|--|------|
| Cockpit .....   | 2-3  | Rear window and outside mirror defroster switch .....        | 2-36 |
| Instrument panel .....  | 2-4  | Headlight and turn signal switch .....                       | 2-37 |
| Meters and gauges .....                                       | 2-5  | Xenon headlights (if so equipped) .....                      | 2-37 |
| Speedometer and odometer .....                                | 2-6  | Headlight switch .....                                       | 2-37 |
| Tachometer .....  | 2-7  | Turn signal switch .....                                     | 2-40 |
| Engine coolant temperature gauge .....                        | 2-7  | Fog light switch (if so equipped) .....                      | 2-41 |
| Fuel gauge .....  | 2-8  | Horn .....   | 2-41 |
| Compass (if so equipped) .....                                | 2-8  | Heated steering wheel (if so equipped) .....                 | 2-41 |
| Zone variation change procedure .....                         | 2-10 | Heated seats (if so equipped) .....                          | 2-42 |
| Warning/indicator lights and audible reminders .....          | 2-11 | Warning systems switch (if so equipped) .....                | 2-43 |
| Checking bulbs .....  | 2-12 | Clock .....  | 2-44 |
| Warning lights .....  | 2-12 | Models with color display .....                              | 2-44 |
| Indicator lights .....  | 2-17 | Models without color display .....                           | 2-44 |
| Audible reminders .....                                       | 2-20 | Vehicle Dynamic Control (VDC) OFF switch .....               | 2-44 |
| Dot matrix liquid crystal display .....                       | 2-20 | Power outlet .....   | 2-45 |
| Operational indicators .....                                  | 2-21 | Cigarette lighter and ashtray (if so equipped) .....         | 2-46 |
| Maintenance indicators .....                                  | 2-24 | Storage .....  | 2-47 |
| Trip computer .....   | 2-25 | Cup holders .....  | 2-47 |
| Security systems .....  | 2-29 | Sunglasses holder (Hardtop models) .....                     | 2-48 |
| Vehicle security system (if so equipped) .....                | 2-30 | Glove box .....  | 2-49 |
| NISSAN Vehicle Immobilizer System .....                       | 2-31 | Console box .....  | 2-49 |
| Windshield wiper and washer switch .....                      | 2-32 | Storage box (if so equipped) .....                           | 2-50 |
| Rain-sensing auto wiper system (if so equipped) .....         | 2-34 | Cargo floor box (if so equipped for<br>Hardtop models) ..... | 2-50 |
| Rear window wiper and washer switch<br>(Hardtop models) ..... | 2-35 | Luggage side box (Hardtop models) .....                      | 2-51 |

|   |      |   |      |
|---|------|---|------|
| Cargo cover (if so equipped for Hardtop models) ..... | 2-52 | Mood lights (Hardtop models) .....  | 2-62 |
| Luggage hooks (Hardtop models) .....                  | 2-53 | Vanity mirror lights .....  | 2-62 |
| Luggage cover (CrossCabriolet models) .....           | 2-53 | Cargo lights (Hardtop models) .....   | 2-63 |
| Roof rack (if so equipped for Hardtop models) .....   | 2-54 | Trunk light (CrossCabriolet models) .....                                       | 2-63 |
| Coat hooks (Hardtop models) .....                     | 2-55 | HomeLink <sup>®</sup> Universal Transceiver (if so equipped) .....              | 2-63 |
| Windows .....   | 2-55 | Programming HomeLink <sup>®</sup> .....   | 2-64 |
| Power windows .....                                   | 2-55 | Programming HomeLink <sup>®</sup> for Canadian customers and gate openers ..... | 2-65 |
| Moonroof (if so equipped for Hardtop models) .....    | 2-58 | Operating the HomeLink <sup>®</sup> Universal Transceiver .....                 | 2-66 |
| Automatic moonroof and sunshades .....                | 2-59 | Programming troubleshooting .....   | 2-66 |
| Interior lights .....                                 | 2-60 | Clearing the programmed information .....                                       | 2-66 |
| Map lights .....                                      | 2-60 | Reprogramming a single HomeLink <sup>®</sup> button .....                       | 2-66 |
| Personal lights (Hardtop models) .....                | 2-61 | If your vehicle is stolen .....   | 2-67 |
| Interior light control switch .....                   | 2-61 |   |      |

## COCKPIT

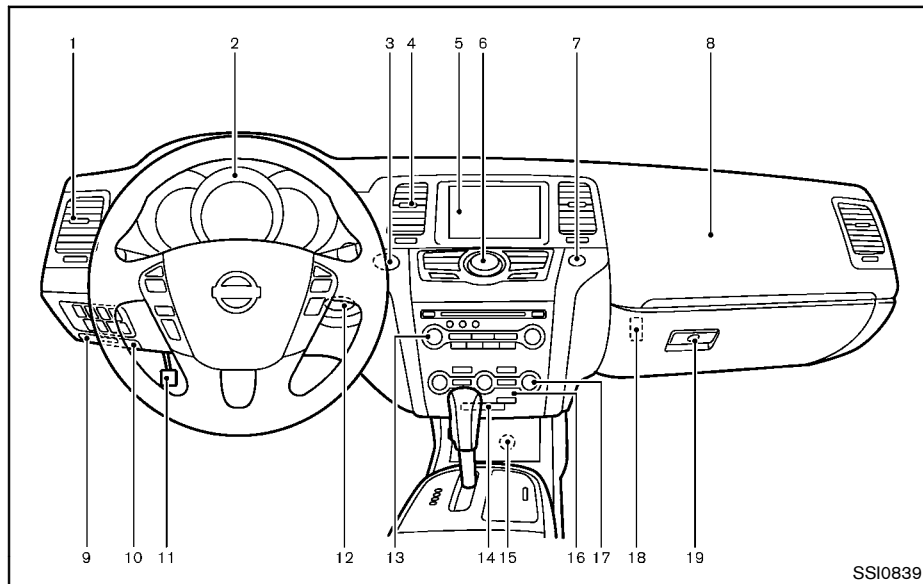


1. Heated steering wheel switch\*
2. Power lift gate switch\* (Hardtop models) or trunk lid release switch (CrossCabriolet models)
3. Warning systems switch\*
  - Lane Departure Warning (LDW) system\*
  - Blind Spot Warning (BSW) system\*
4. Instrument brightness control switch

5. Headlight, fog light and turn signal switch
  - Headlight
  - Turn signal light
  - Fog light\*
6. Trip computer switch
7. TRIP/RESET switch
8. Wiper and washer switch

9. Vehicle Dynamic Control (VDC) off switch
  10. Power lift gate main switch\* (Hardtop models) or All-Wheel Drive (AWD) LOCK switch (CrossCabriolet models)
  11. Power rear seatback switch\* (Hardtop models)
  12. Power rear seatback switch\* (Hardtop models) or Remote walk-in switch (CrossCabriolet models)
  13. Fuel-filler door opener switch
  14. Manual tilting/telescopic steering wheel lever\*
  15. Electric tilting/telescopic steering wheel switch\*
  16. Steering-wheel-mounted controls (left side)\*
    - Audio control\*
    - Bluetooth® Hands-Free Phone System control (models with navigation system)\*
    - Bluetooth® Hands-Free Phone System control (models without navigation system)\*
  17. Steering wheel
    - Horn
    - Driver supplemental air bag
    - Power steering system
  18. Steering-wheel-mounted controls (right side)
    - Cruise control switches
  19. Center-console mounted controls
    - Heated seat switches\*
    - All-Wheel Drive (AWD) LOCK switch\* (Hardtop models)
    - Soft top operating switch (CrossCabriolet models)
- \*: if so equipped

## INSTRUMENT PANEL



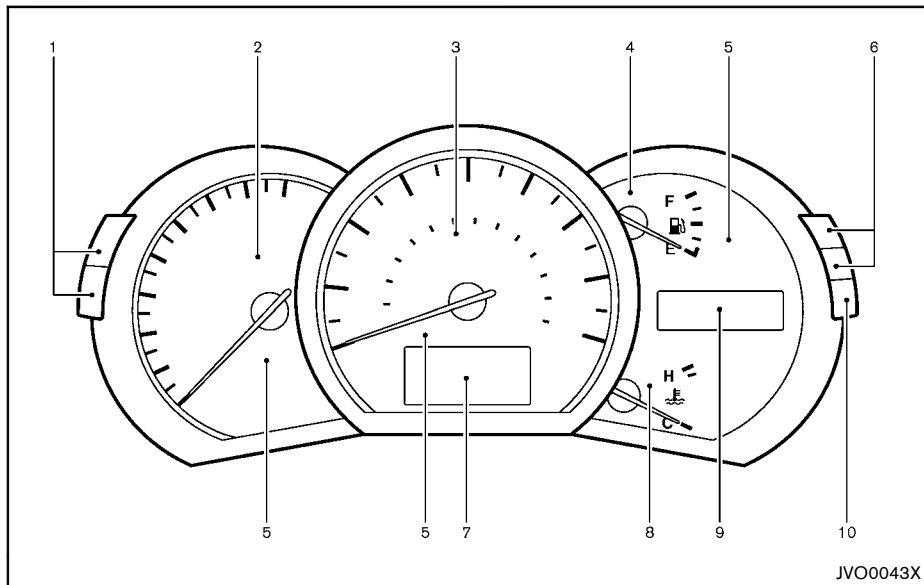
1. Side ventilator
2. Meters and gauges
3. Push-button ignition switch
4. Center ventilator
5. Center display
  - Center color display\*
  - Navigation system\*\*

6. Heater/air conditioner control or Center multi-function control panel\*
  - Navigation system\*\*
  - Vehicle information and setting buttons\*
  - Bluetooth® Hands-Free Phone System\* (models with navigation system)
  - Bluetooth® Hands-Free Phone System\*

(models without navigation system)

7. Hazard warning flasher switch
  8. Front passenger supplemental air bag
  9. Hood release handle
  10. Fuse box cover
  11. Parking brake
  12. Intelligent Key port
  13. Audio system
    - Clock\*
  14. Front passenger air bag status light
  15. Power outlet
  16. Rear window and outside mirror\* defroster switch
  17. Heater/air conditioner control or Audio system
  18. Trunk release power cancel switch (Cross-Cabriolet models)
  19. Glove box
- \*: if so equipped  
\*\*: Refer to the separate Navigation System Owner's Manual (if so equipped).

## METERS AND GAUGES



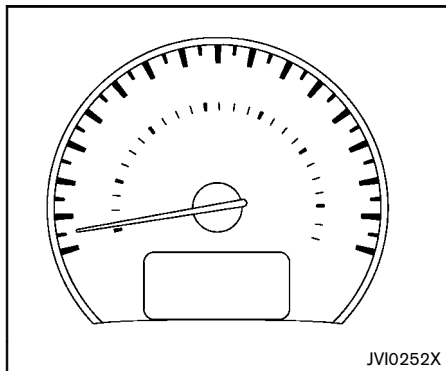
1. Instrument brightness control switch
2. Tachometer
3. Speedometer
4. Fuel gauge
5. Warning/indicator lights
6. Trip computer switch
7. Dot matrix liquid crystal display
8. Engine coolant temperature gauge
9. Odometer/twin trip odometer/Continuously Variable Transmission (CVT) position indicator
10. RESET switch for trip odometer

**The needle indicators may move slightly after the ignition switch is pushed to the**

**LOCK position. This is not a malfunction.**

### CAUTION

- For cleaning, use a soft cloth, dampened with water. Never use a rough cloth, alcohol, benzine, thinner or any kind of solvent or paper towel with a chemical cleaning agent. They will scratch or cause discoloration to the lens.
- Do not spray any liquid such as water on the meter lens. Spraying liquid may cause the system to malfunction.

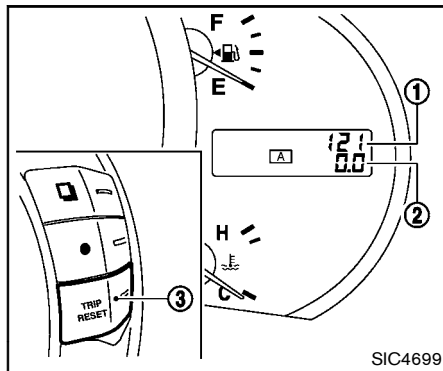


Speedometer

## SPEEDOMETER AND ODOMETER

### Speedometer

The speedometer indicates vehicle speed in miles per hour (MPH) and kilometers per hour (km/h).



Odometer/twin trip odometer

### Odometer/twin trip odometer

The odometer ① and twin trip odometer ② are displayed when the ignition switch is in the ON position.

The odometer records the total distance the vehicle has been driven.

The twin trip odometer records the distance of individual trips.

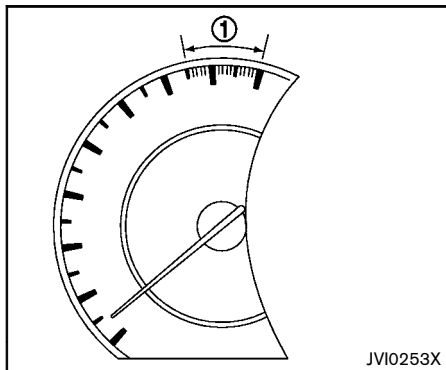
### Changing the display:

Pushing the TRIP RESET switch ③ on the right side of the combination meter panel changes the display as follows:

TRIP A → TRIP B → TRIP A

### Resetting the trip odometer:

Pushing the TRIP RESET switch ③ for more than 1 second resets the trip odometer to zero.



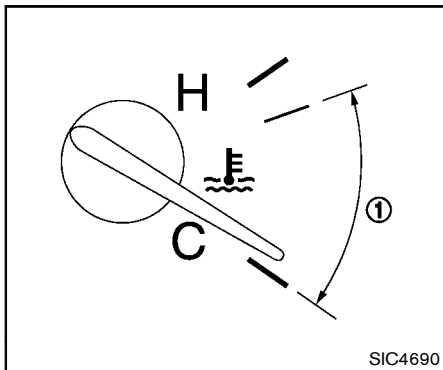
JVI0253X

## TACHOMETER

The tachometer indicates engine speed in revolutions per minute (RPM). **Do not rev the engine into the red zone ①.**

### CAUTION

**When engine speed approaches the red zone, shift to a higher gear or reduce engine speed. Operating the engine in the red zone may cause serious engine damage.**



SIC4690

## ENGINE COOLANT TEMPERATURE GAUGE

The gauge indicates the engine coolant temperature.

The engine coolant temperature is within the normal range when the gauge needle points within the zone ① shown in the illustration.

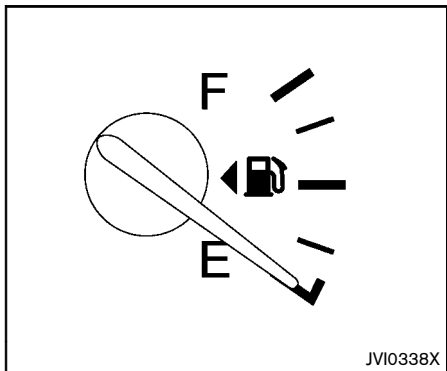
The engine coolant temperature varies with the outside air temperature and driving conditions.

### CAUTION

**If the gauge indicates engine coolant temperature near the hot (H) end of the**

**normal range, reduce vehicle speed to decrease temperature. If gauge is over the normal range, stop the vehicle as soon as safely possible and let the engine idle. If the engine is overheated, continued operation of the vehicle may seriously damage the engine. See “If your vehicle overheats” in the “6. In case of emergency” section for immediate action required.**






## FUEL GAUGE

The gauge indicates the **approximate** fuel level in the tank.


The gauge may move slightly during braking, turning, acceleration, or going up or down hills.

The gauge needle returns to E (Empty) after the ignition switch is pushed to the OFF position.



**Refill the fuel tank before the gauge registers “E” (Empty).**

The low fuel warning  appears on the dot matrix liquid crystal display when the fuel level in the tank is getting low. Refuel as soon as it is convenient, preferably before the gauge reaches “E”. There will be a small reserve of fuel in the

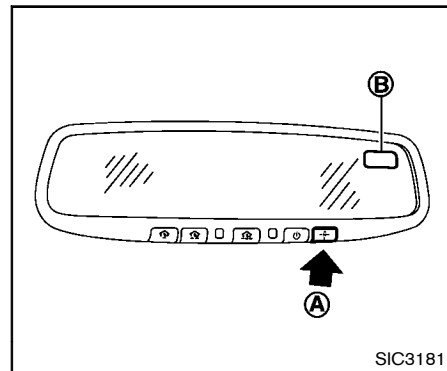
tank when the fuel gauge needle reaches “E”.

The  indicates that the fuel-filler door is located on the driver’s side of the vehicle.

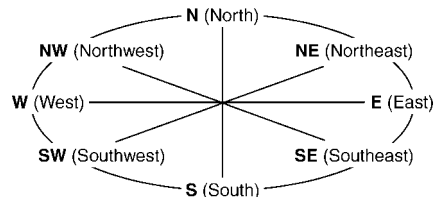
## CAUTION

- If the vehicle runs out of fuel, the  malfunction indicator light (MIL) may come on. Refuel as soon as possible. After a few driving trips, the  light should turn off. If the light remains on after a few driving trips, have the vehicle inspected by a NISSAN dealer.
- For additional information, see “Malfunction Indicator Light (MIL)” later in this section.

## COMPASS (if so equipped)




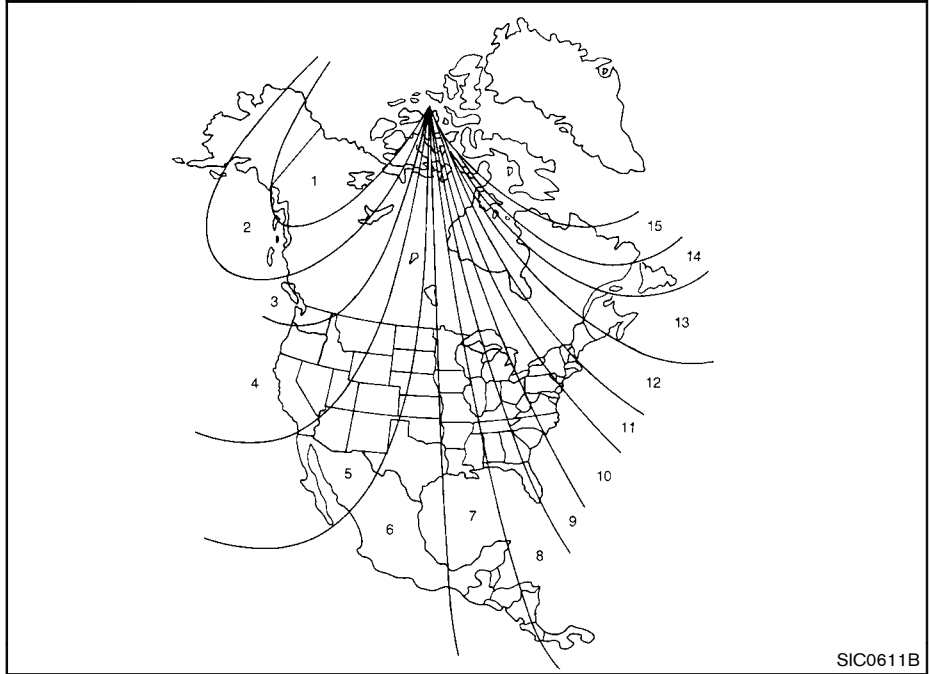
When the ignition switch is pushed to the ON position, the compass display (B) will indicate the direction of the vehicle’s heading.



If the display reads “C”, calibrate the compass by driving the vehicle in 3 complete circles at less than 5 MPH (8 km/h). You can also calibrate the compass by driving your vehicle

on your everyday route. The compass will be calibrated once it has tracked 3 complete circles.

To turn on and off the compass manually, push the  switch **(A)** while the ignition switch is in the ON position.




SIC0611B

**Zone map**


## ZONE VARIATION CHANGE PROCEDURE

The difference between magnetic north and geographical north is known as variance. In some areas, this difference can sometimes be great enough to cause false compass readings. Follow these instructions to set the variance for your particular location if this happens:

1. Push the  switch for more than 3 seconds. The current zone number will appear in the display.
2. Find your current location and variance number on the zone map.

### NOTE:

**Use zone number 5 for Hawaii.**

3. Push the  switch repeatedly until the new zone number appears in the display, then release the switch. After you release the switch, the display will show a compass direction within a few seconds.
  - If the compass deviates from the correct indication soon after repeated adjustment, have the compass checked at a NISSAN dealer.
  - The compass may not indicate the correct compass point in tunnels or while driving up or down a steep hill.

(The compass returns to the correct com-






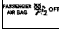










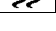
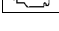
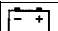


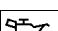
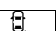

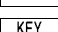
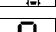
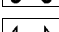
pass point when the vehicle moves to an area where the geomagnetism is stabilized.)



## CAUTION



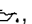


- **Do not install a ski rack, antenna, etc., which are attached to the vehicle by means of a magnet. They affect the operation of the compass.**
- **When cleaning the mirror, use a paper towel or similar material dampened with glass cleaner. Do not spray glass cleaner directly on the mirror as it may cause the liquid cleaner to enter the mirror housing.**

## WARNING/INDICATOR LIGHTS AND AUDIBLE REMINDERS

|  |   |   |   |   |   |
|--|---|---|---|---|---|
|  | All-Wheel Drive (AWD) warning light (AWD models)* |  | Low tire pressure warning light                                   |  | Exterior light indicator                          |
|  | Anti-lock Braking System (ABS) warning light      |  | Master warning light  |  | Front passenger air bag status light              |
|  | Anti-lock Braking System (ABS) warning light      |  | Seat belt warning light   |  | High beam indicator light                         |
|  | Blind Spot Warning (BSW) light (orange)*          |  | Supplemental air bag warning light                                |  | Lane Departure Warning (LDW) light (green)*       |
|  | Brake warning light                               |  | Vehicle Dynamic Control (VDC) warning light                       |  | Malfunction Indicator Light (MIL)                 |
|  | Charge warning light                              |  | All-Wheel Drive (AWD) LOCK indicator light (AWD models)           |  | Overdrive off indicator light                     |
|  | Engine oil pressure warning light                 |  | Blind Spot Warning (BSW) light (green)*                           |  | Soft top indicator light (CrossCabriolet models)  |
|  | Intelligent Key warning light                     |  | Continuously Variable Transmission (CVT) position indicator light |  | Turn signal/hazard indicator lights               |
|  | Lane Departure Warning (LDW) light (orange)*      |  | Cruise indicator light  |  | Vehicle Dynamic Control (VDC) off indicator light |

## CHECKING BULBS

With all doors closed, apply the parking brake and push the ignition switch to the ON position without starting the engine. The following lights will come on (if so equipped):

 , BRAKE OR  ,  ,  ,  , AWD, CRUISE


The following lights come on briefly and then go off (if so equipped):

 , ABS or  ,  ,  , (L) ,  ,  ,  ,  , 

If any light does not come on, it may indicate a burned-out bulb or an open circuit in the electrical system. Have the system checked by a NISSAN dealer.

Some indicators and warnings are also displayed on the dot matrix crystal display on the speedometer. (See “Dot matrix liquid crystal display” later in this section.)

## WARNING LIGHTS

 All-Wheel Drive (AWD) warning light (AWD models)

The light comes on when the ignition switch is pushed to ON. It turns off soon after the engine is started.

If the AWD system malfunctions, or the diameter of the front and the rear wheels are different, the warning light will either remain illuminated or blink. (See “All-Wheel Drive (AWD)” in the “5. Starting and driving” section.)



### CAUTION



- **If the warning light comes on while driving there may be a malfunction in the AWD system. Reduce the vehicle speed and have your vehicle checked by a NISSAN dealer as soon as possible.**
- **If the AWD warning light blinks when you are driving:**
  - **blinks rapidly (about twice a second):**  
**Pull off the road in a safe area, and idle the engine. The driving mode will change to 2WD to prevent the AWD system from**

**malfunctioning. If the warning light turns off, you can drive again.**

- **blinks slowly (about once every 2 seconds):**

**Pull off the road in a safe area, and idle the engine. Check that all tire sizes are the same, tire pressure is correct and tires are not worn.**

- **If the warning light is still on after the above operations, have your vehicle checked by a NISSAN dealer as soon as possible.**

 or  Anti-lock Braking System (ABS) warning light

When the ignition switch is in the ON position, the Anti-lock Braking System (ABS) warning light illuminates and then turns off. This indicates the ABS is operational.

If the ABS warning light illuminates while the engine is running, or while driving, it may indicate the ABS is not functioning properly. Have the system checked by a NISSAN dealer.

If an ABS malfunction occurs, the anti-lock function is turned off. The brake system then operates normally, but without anti-lock assis-

tance. (See “Brake system” in the “5. Starting and driving” section.)



**Blind Spot Warning (BSW) light** (orange; if so equipped)

When the ignition switch is placed in the “ON” position, the light will first illuminate in orange and turn green. This indicates that the Blind Spot Warning (BSW) system is operational.

If the light comes on in orange and remains on, it may indicate that the BSW system is not functioning properly. Have the system checked by a NISSAN dealer. See “Blind Spot Warning (BSW)/Lane Departure Warning (LDW) systems” in the “5. Starting and driving” section.



**Brake warning light**

This light functions for both the parking brake and the foot brake systems.

#### **Parking brake indicator:**

When the ignition switch is in the ON position, the light comes on when the parking brake is applied.

#### **Low brake fluid warning light:**

When the ignition switch is in the ON position, the light warns of a low brake fluid level. If the light comes on while the engine is running with the parking brake not applied, stop the vehicle and perform the following:

1. Check the brake fluid level. Add brake fluid as necessary. (See “Brake fluid” in the “8. Maintenance and do-it-yourself” section.)
2. If the brake fluid level is correct, have the warning system checked by a NISSAN dealer.

#### **Anti-lock Braking System (ABS) warning indicator:**

When the parking brake is released and the brake fluid level is sufficient, if both the brake warning light and the Anti-lock Braking System (ABS) warning light illuminate, it may indicate the ABS is not functioning properly. Have the brake system checked, and if necessary repaired, by a NISSAN dealer promptly. (See “Anti-lock Braking System (ABS) warning light” earlier in this section.)



#### **WARNING**

- **Your brake system may not be working properly if the warning light is on. Driving could be dangerous. If you judge it to be safe, drive carefully to the nearest service station for repairs. Otherwise, have your vehicle towed because driving it could be dangerous.**

- **Pressing the brake pedal with the engine stopped and/or low brake fluid level may increase your stopping distance and braking will require greater pedal effort as well as pedal travel.**
- **If the brake fluid level is below the minimum or MIN mark on the brake fluid reservoir, do not drive until the brake system has been checked at a NISSAN dealer.**



**Charge warning light**

If the light comes on while the engine is running, it may indicate the charging system is not functioning properly. Turn the engine off and check the alternator belt. If the belt is loose, broken, missing or if the light remains on, see a NISSAN dealer immediately.



#### **CAUTION**

**Do not continue driving if the alternator belt is loose, broken or missing.**



### Engine oil pressure warning light

This light warns of low engine oil pressure. If the light flickers or comes on during normal driving, pull off the road in a safe area, stop the engine **immediately** and call a NISSAN dealer or other authorized repair shop.

**The engine oil pressure warning light is not designed to indicate a low oil level. Use the dipstick to check the oil level.** (See “Engine oil” in the “8. Maintenance and do-it-yourself” section.)



### CAUTION

**Running the engine with the engine oil pressure warning light on could cause serious damage to the engine almost immediately. Such damage is not covered by warranty. Turn off the engine as soon as it is safe to do so.**



### Intelligent Key warning light

After the ignition switch is pushed to the ON position, this light comes on for about 2 seconds and then turns off.

This light warns of a malfunction with the Intelligent Key system.

If the light comes on while the engine is

stopped, it may be impossible to start the engine. If the light comes on while the engine is running, you can drive the vehicle. However in these cases, contact a NISSAN dealer for repair as soon as possible.



### Lane Departure Warning (LDW) light (orange; if so equipped)

When the ignition switch is placed in the ON position, the light will come on in orange and turn green. This indicates that the Lane Departure Warning (LDW) system is operational.

While the LDW system is on, the light will blink in orange and a warning chime will sound if the vehicle is traveling close to either the left or the right of a traveling lane with detectable lane markers.

If the light comes on in orange and remains on, it may indicate that the LDW system is not functioning properly. Have the systems checked by a NISSAN dealer.

See “Blind Spot Warning (BSW)/Lane Departure Warning (LDW) systems” in the “5. Starting and driving” section.



### Low tire pressure warning light

Your vehicle is equipped with a Tire Pressure Monitoring System (TPMS) that monitors the tire pressure of all tires except the spare.

The low tire pressure warning light warns of low tire pressure or indicates that the TPMS is not functioning properly.

After the ignition switch is pushed ON, this light illuminates for about 1 second and turns off.

#### Low tire pressure warning:

If the vehicle is being driven with low tire pressure, the warning light will illuminate. A CHECK TIRE PRESSURE warning also appears on the dot matrix liquid crystal display.

When the low tire pressure warning light illuminates, you should stop and adjust the tire pressure to the recommended COLD tire pressure shown on the Tire and Loading Information label. The low tire pressure warning light does not automatically turn off when the tire pressure is adjusted. After the tire is inflated to the recommended pressure, the vehicle must be driven at speeds above 16 MPH (25 km/h) to activate the TPMS and turn off the low tire pressure warning light. Use a tire pressure gauge to check the tire pressure.

The CHECK TIRE PRESSURE warning appears each time the ignition switch is placed in the ON

position as long as the low tire pressure warning light remains illuminated.

For additional information, see “Dot matrix liquid crystal display” later in this section, “Tire Pressure Monitoring System (TPMS)” in the “5. Starting and driving” section and “Tire Pressure Monitoring System (TPMS)” in the “6. In case of emergency” section.

#### **TPMS malfunction:**

If the TPMS is not functioning properly, the low tire pressure warning light will flash for approximately 1 minute when the ignition switch is pushed ON. The light will remain on after the 1 minute. Have the system checked by a NISSAN dealer. The CHECK TIRE PRESSURE warning does not appear if the low tire pressure warning light illuminates to indicate a TPMS malfunction.

For additional information, see “Tire Pressure Monitoring System (TPMS)” in the “5. Starting and driving” section. For the CHECK TIRE PRESSURE warning, see “Dot matrix liquid crystal display” later in this section.



#### **WARNING**

- **If the light does not illuminate with the ignition switch pushed ON, have the vehicle checked by a NISSAN**

**dealer as soon as possible.**

- **If the light illuminates while driving, avoid sudden steering maneuvers or abrupt braking, reduce vehicle speed, pull off the road to a safe location and stop the vehicle as soon as possible. Driving with under-inflated tires may permanently damage the tires and increase the likelihood of tire failure. Serious vehicle damage could occur and may lead to an accident and could result in serious personal injury. Check the tire pressure for all four tires. Adjust the tire pressure to the recommended COLD tire pressure shown on the Tire and Loading Information label to turn the low tire pressure warning light OFF. If the light still illuminates while driving after adjusting the tire pressure, a tire may be flat. If you have a flat tire, replace it with a spare tire as soon as possible.**
- **When a spare tire is mounted or a wheel is replaced, the TPMS will not function and the low tire pressure warning light will flash for approximately 1 minute. The light will**

**remain on after 1 minute. Contact your NISSAN dealer as soon as possible for tire replacement and/or system resetting.**

- **Replacing tires with those not originally specified by NISSAN could affect the proper operation of the TPMS.**



#### **CAUTION**

- **The TPMS is not a substitute for the regular tire pressure check. Be sure to check the tire pressure regularly.**
- **If the vehicle is being driven at speeds of less than 16 MPH (25 km/h), the TPMS may not operate correctly.**
- **Be sure to correctly install the specified size of tires to the four wheels.**



### Master warning light

When the ignition switch is in the ON position, the master warning light illuminates if any of the following are displayed on the dot matrix liquid crystal display:

- No key warning
- Low fuel warning
- Low washer fluid warning
- Parking brake release warning
- Door/lift gate open warning (Hardtop models)
- Door/trunk open warning (CrossCabriolet models)
- Loose fuel cap warning
- Check tire pressure warning
- Extended storage fuse warning

See “Dot matrix liquid crystal display” later in this section.

### Seat belt warning light

The light and chime remind you to fasten seat belts. The light illuminates whenever the ignition switch is pushed to the ON position, and will remain illuminated until the driver's seat belt is fastened.

The seat belt warning light for the front passenger will illuminate if the seat belt is not fastened when the front passenger's seat is

occupied. For approximately 5 seconds after the ignition switch is in the ON position, the system does not activate the warning light for the front passenger.

See “Seat belts” in the “1. Safety — Seats, seat belts and supplemental restraint system” section for precautions on seat belt usage.

### Supplemental air bag warning light

After pushing the ignition switch to the ON position, the supplemental air bag warning light will illuminate. The supplemental air bag warning light will turn off after about 7 seconds if the SRS air bag systems are operational.

If any of the following conditions occur, the air bags and/or pretensioner systems need servicing and your vehicle must be taken to your nearest NISSAN dealer.

- The supplemental air bag warning light remains on after approximately 7 seconds.
- The supplemental air bag warning light flashes intermittently.
- The supplemental air bag warning light does not come on at all.

Unless checked and repaired, the Supplemental Restraint Systems (air bag systems) and/or the pretensioners may not function properly.

For additional information, see “Supplemental restraint system” in the “1. Safety — Seats, seat

belts and supplemental restraint system” section.



## WARNING

**If the supplemental air bag warning light is on, it could mean that the air bags and/or pretensioner systems will not operate in an accident. To help avoid injury to yourself or others, have your vehicle checked by a NISSAN dealer as soon as possible.**



### Vehicle dynamic control (VDC) warning light

The light will blink when the Vehicle Dynamic Control (VDC) system or the traction control system is operating, thus alerting the driver that the vehicle is nearing its traction limits. The road surface may be slippery.

If the VDC warning light comes on and stays on while the VDC system is on, this light alerts the driver to the fact that the VDC system's fail-safe mode is operating, for example the VDC system may not be functioning properly. Have the system checked by a NISSAN dealer. If a malfunction occurs in the system, the VDC system function will be canceled but the vehicle


is still driveable. For additional information, see “Vehicle Dynamic Control (VDC) system” in the “5. Starting and driving” section of this manual.

## INDICATOR LIGHTS

 All-Wheel Drive (AWD) LOCK indicator light (AWD models)

This light illuminates when the ignition switch is placed in the ON position, and turns off within 1 second.


When selecting the LOCK mode while the engine is running, this light will illuminate. (See “All-Wheel Drive (AWD)” in the “5. Starting and driving” section.)

 Blind Spot Warning (BSW) light (green; if so equipped)


The Blind Spot Warning (BSW) light (green) will illuminate when the BSW system is turned on. The light turns off when the system is turned off. (See “Blind Spot Warning (BSW)/Lane Departure Warning (LDW) systems” in the “5. Starting and driving” section.)

### NOTE:

**This light is common with the Blind Spot Warning (BSW) light (orange). (See “Blind Spot Warning (BSW) light” earlier in this section.)**

 Continuously Variable Transmission (CVT) position indicator light

When the ignition switch is pushed to the ON position, the indicator shows the automatic selector shift position. (See “Continuously Variable Transmission (CVT)” in the “5. Starting and driving” section.)

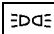
 Cruise indicator light



### Cruise main switch indicator:

This light illuminates when the cruise control main switch is pushed. The light turns off when the main switch is pushed again. When the cruise main switch indicator light illuminates, the cruise control system is operational. (See “Cruise control” in the “5. Starting and driving” section.)

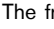
### Cruise malfunction:

If the cruise indicator light blinks while the engine is running, it may indicate the cruise control system is not functioning properly. Have the system checked by a NISSAN dealer. (See “Cruise control” in the “5. Starting and driving” section.)


 Exterior light indicator

This indicator illuminates when the headlight switch is turned to the AUTO (if so equipped),  or  position and the front parking lights, instrument panel lights, tail lights, license plate lights or headlights are on. The indicator turns off when these lights are turned off.

 Front passenger air bag status light

The front passenger air bag status light  will be lit and the passenger front air bag will be OFF depending on how the front passenger seat is being used.

For front passenger air bag status light operation, see “NISSAN Advanced Air Bag System (front seats)” in the “1. Safety — Seats, seat belts and supplemental restraint system” section of this manual.

 High beam indicator light

This light comes on when the headlight high beam is on and goes out when the low beam is selected.



Lane Departure Warning (LDW) light (green; if so equipped)

The Lane Departure Warning (LDW) light (green) will illuminate when the LDW system is turned on. The light turns off when the system is turned off. (See “Blind Spot Warning (BSW)/ Lane Departure Warning (LDW) systems” in the “5. Starting and driving” section.)

**NOTE:**


**This light is common with the Lane Departure Warning (LDW) light (orange). (See “Lane Departure Warning (LDW) light” earlier in this section.)**



Malfunction Indicator Light (MIL)

If the malfunction indicator light comes on steady or blinks while the engine is running, it may indicate a potential emission control and/or Continuously Variable Transmission (CVT) malfunction.



The malfunction indicator light may also come on steady if the fuel-filler cap is loose or missing, or if the vehicle runs out of fuel. Check to make sure the fuel-filler cap is installed and closed tightly, and that the vehicle has at least 3 US gallons (11.4 liters) of fuel in the fuel tank.

After a few driving trips, the  light should turn off if no other potential emission control system malfunction exists.

If this indicator light remains on for 20 seconds and then blinks for 10 seconds when the engine is not running, it indicates that the vehicle is not ready for an emission control system inspection/maintenance test. (See “Readiness for Inspection/Maintenance (I/M) test” in the “9. Technical and consumer information” section.)

**Operation:**

The malfunction indicator light will come on in one of two ways:

- Malfunction indicator light on steady — An emission control system and/or CVT malfunction has been detected. Check the fuel-filler cap if the LOOSE FUEL CAP warning appears on the dot matrix liquid crystal display. If the fuel-filler cap is loose or missing, tighten or install the cap and continue to drive the vehicle. The  light should turn off after a few driving trips. If the  light does not turn off after a few driving trips, have the vehicle inspected by a NISSAN dealer. You do not need to have your vehicle towed to the dealer.
- Malfunction indicator light blinking — An engine misfire has been detected which may damage the emission control system. To reduce or avoid emission control system damage:

- Do not drive at speeds above 45 MPH (72 km/h).
- Avoid hard acceleration or deceleration.
- Avoid steep uphill grades.
- If possible, reduce the amount of cargo being hauled or towed.

The malfunction indicator light may stop blinking and remain on.

Have the vehicle inspected by a NISSAN dealer. You do not need to have your vehicle towed to the dealer.



**CAUTION**

**Continued vehicle operation without having the emission control system and/or CVT system checked and repaired as necessary could lead to poor driveability, reduced fuel economy, and possible damage to the emission control system.**



### Overdrive off indicator light

The overdrive off indicator light illuminates when the overdrive off mode is selected.

For additional information, see “Continuously Variable Transmission (CVT)” in the “5. Starting and driving” section of this manual.



### Soft top indicator light (Cross-Cabriolet models)

This light illuminates when the soft top is being operated or it is stopped before reaching a full open/close state. When the top is fully opened or closed, the light will turn off.

The light blinks while the soft top is not fully opened or closed under the following conditions:

- When the vehicle is driven.
- When the shift lever is in the R (Reverse) position.

Be sure to fully open or close the soft top when driving the vehicle.

The soft top can be moved with the soft top operating switch only under all of the following conditions:

- When the vehicle is stopped.
- When the ignition switch is ON.
- When the trunk is closed.

- When the luggage cover is pulled out and hooked so that the roof storage area is separated from the trunk.
- When the shift lever is in a position other than the R (Reverse) position.



## CAUTION

**Operate the soft top with the engine running to prevent a discharged battery.**

When the soft top is operating, if any of the above conditions are discontinued or any of the following conditions are met, the top will stop operating.

- When the shift lever is in the R (Reverse) position.
- When the vehicle moves at a speed of 3 MPH (5 km/h) or more.
- When the battery voltage is extremely low.
- When the temperature of the soft top system becomes extremely high.

Release the operating switch, and push it again under the above conditions until the top is fully opened or closed. The soft top indicator light will turn off when the top operation is completely finished.

If the soft top indicator light illuminates with the

ignition switch ON, it may indicate the electric soft top control unit is not functioning properly. Have your vehicle checked by a NISSAN dealer as soon as possible.

For more details about the electric soft top operation, see “Soft top (CrossCabriolet models)” in the “3. Pre-driving checks and adjustments” section.



### Turn signal/hazard indicator lights

The light flashes when the turn signal switch lever or hazard switch is turned on.



### Vehicle Dynamic Control (VDC) off indicator light



The light comes on when the Vehicle Dynamic Control (VDC) off switch is pushed to OFF. This indicates that the VDC system is not operating. For additional information, see “Vehicle Dynamic Control (VDC) system” in the “5. Starting and driving” section of this manual.

## AUDIBLE REMINDERS

### Key reminder chime

A chime will sound if the driver side door is opened while the ignition switch is pushed to the ACC position or pushed to the OFF or LOCK position with the Intelligent Key left in the Intelligent Key port. Make sure the ignition switch is pushed to the OFF position, and take the Intelligent Key with you when leaving the vehicle.

### Light reminder chime

A chime will sound when the driver side door is opened with the light switch in the  or  position and the ignition switch in the ACC or OFF position.

Turn the light switch off when you leave the vehicle.

### Parking brake reminder chime

The chime will sound if the vehicle is driven at more than 4 MPH (7 km/h) with the parking brake applied. Stop the vehicle and release the parking brake.

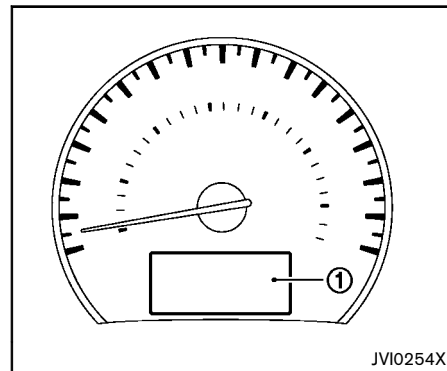
### Seat belt warning chime


The chime will sound for about 6 seconds unless the driver's seat belt is securely fastened.

### Brake pad wear warning

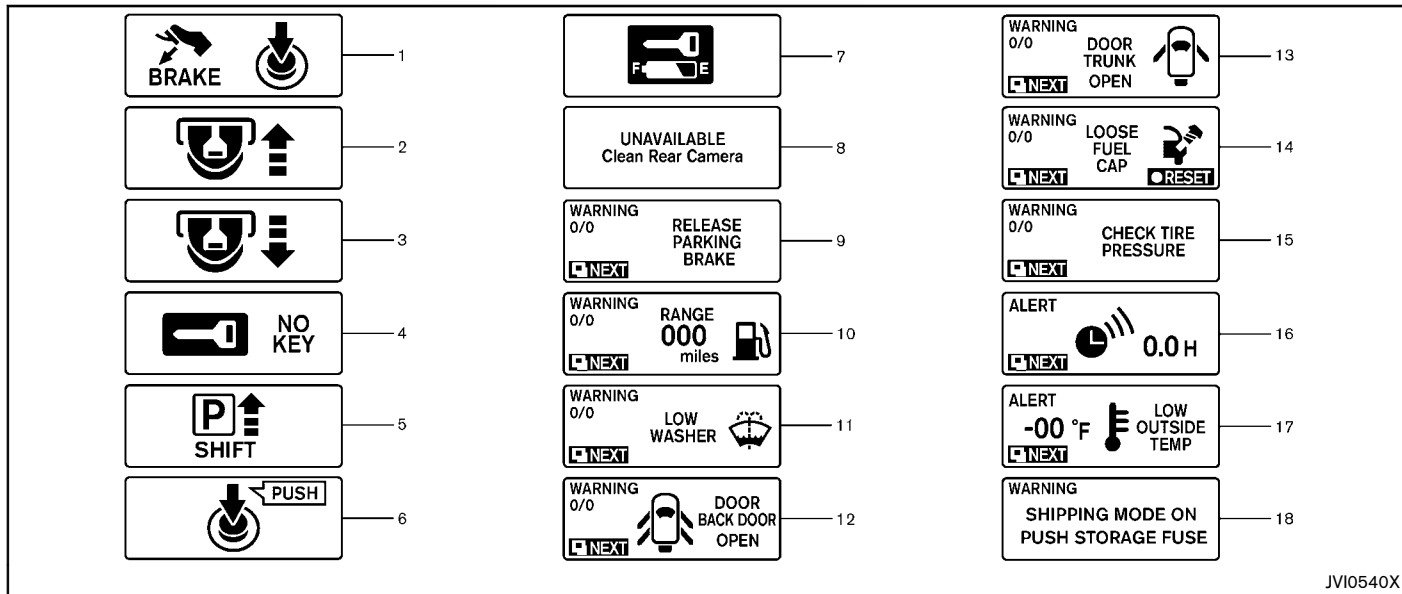
The disc brake pads have audible wear warnings. When a brake pad requires replacement, it will make a high pitched scraping sound when the vehicle is in motion. This scraping sound will first occur only when the brake pedal is depressed. After more wear of the brake pad, the sound will always be heard even if the brake pedal is not depressed. Have the brakes checked as soon as possible if the warning sound is heard.

## DOT MATRIX LIQUID CRYSTAL DISPLAY



The dot matrix liquid crystal display  is located in the speedometer, and it displays, the key operation information and other warnings and information.

For the detail about the Intelligent Key System, see "Intelligent Key system" in the "3. Pre-driving checks and adjustments" section.



JVI0540X

## OPERATIONAL INDICATORS

### 1. Engine start operation indicator

This indicator appears when the shift lever is in the P (Park) position.

This indicator means that the engine will start by

pushing the ignition switch with the brake pedal depressed.

You can start the engine directly in any position.

### 2. Key insertion indicator

This indicator appears when the key needs to be inserted into the key port. (For example, the Intelligent Key battery is discharged.)

If this indicator appears, insert the key into the key port in the correct direction. (See “Push-

button ignition switch" in the "5. Starting and driving" section.)

### 3. Key removal indicator

This indicator appears when the driver's door is opened with the ignition switch in the OFF or LOCK position and the key placed in the key port. A key reminder chime also sounds.

If this indicator appears, remove the key from the key port and take it with you when leaving the vehicle.

### 4. NO KEY warning

This warning appears in either of the following conditions.

#### **No key inside the vehicle:**

The warning appears when the door is closed with the Intelligent Key left outside the vehicle and the ignition switch in the ACC or ON position. Make sure that the Intelligent Key is inside the vehicle.

#### **Unregistered key:**

The warning appears when the ignition switch is pushed from the LOCK position and the key cannot be recognized by the system. You cannot start the engine with an unregistered key. Use the registered key.

See "Intelligent Key system" in the "3. Pre-driving checks and adjustments" section for

more details.

### 5. SHIFT "P" warning

This warning appears when the ignition switch is pushed to stop the engine with the shift lever in any position except the P (Park) position.

If this warning appears, move the shift lever to the P (Park) position or push the ignition switch to the ON position.

An inside warning chime will also sound. (See "Intelligent Key system" in the "3. Pre-driving checks and adjustments" section.)

### 6. "PUSH" warning

This warning appears when the shift lever is moved to the P (Park) position with the ignition switch in the ACC position after the SHIFT "P" warning appears.

To push the ignition switch to the OFF position, perform the following procedure:

**SHIFT "P" warning** → (Move the shift lever to "P") → **PUSH warning** → (Push the ignition switch → ignition switch position is turned to ON) → **PUSH warning** → (Push the ignition switch → ignition switch position is turned to OFF)

### 7. Key battery discharge indicator

This indicator appears when the key battery is running out of power.

If this indicator appears, replace the battery with a new one. (See "Intelligent Key battery replacement" in the "8. Maintenance and do-it-yourself" section.)

### 8. Clean Rear Camera warning (if so equipped)

This warning appears if dirt, rain or snow accumulates on the rear camera and cannot be removed by the automatic washer and blower. See "Blind Spot Warning (BSW)/Lane Departure Warning (LDW) systems" in the "5. Starting and driving" section.

### 9. Parking brake release warning

This warning appears when the vehicle speed is above 4 MPH (7 km/h) and the parking brake is applied. Stop the vehicle and release the parking brake.

### 10. Low fuel warning

This warning appears when the fuel level in the tank is getting low. Refuel as soon as it is convenient, preferably before the fuel gauge reaches the empty (E) position.

**There is a small reserve of fuel remaining in the tank when the fuel gauge reaches**

## **the empty (E) position.**

### **11. Low washer fluid warning**

This warning appears when the washer tank fluid is at a low level. Add washer fluid as necessary. (See "Window washer fluid" in the "8. Maintenance and do-it-yourself" section.)

### **12. Door/lift gate open warning (ignition switch is in the ON position) (Hardtop models)**

This warning appears if any of the doors and/or the lift gate are open or not closed securely. The vehicle icon indicates which door is open on the display.

### **13. Door/trunk open warning (ignition switch is in the ON position) (Cross-Cabriolet models)**

This warning appears if any of the doors and/or the trunk are open or not closed securely. The vehicle icon indicates which door is open on the display.

### **14. Loose fuel cap warning**

This warning appears when the fuel-filler cap is not tightened correctly after the vehicle has been refueled. (See "Fuel-filler cap" in the "3. Pre-driving checks and adjustments" section.)

### **15. Check tire pressure warning**

This warning appears when the low tire pressure warning light in the meter illuminates and low tire pressure is detected. The warning appears each time the ignition switch is placed in the ON position as long as the low tire pressure warning light remains illuminated. If this warning appears, stop the vehicle and adjust the tire pressure to the recommended COLD tire pressure shown on the Tire and Loading Information label. (See "Low tire pressure warning light" earlier in this section and "Tire Pressure Monitoring System (TPMS)" in the "5. Starting and driving" section.)

### **16. "TIMER" indicator**

This indicator appears when the set "TIMER" indicator activates. You can set the time for up to 6 hours. (See "Trip computer" later in this section.)

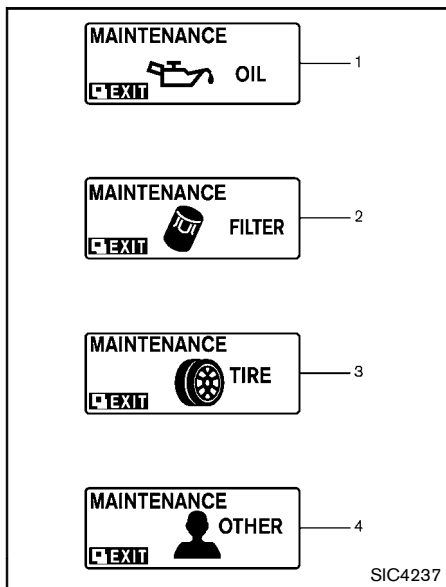
### **17. Low outside temperature warning**

This warning appears if the outside temperature is below 37°F (3°C). The warning can be set not to be displayed. (See "Trip computer" later in this section.)

### **18. Extended storage fuse warning**

This warning may appear if the extended storage fuse switch is not pushed in (switched on). When this warning appears, push in (switch on) the extended storage fuse switch to turn off the warning. For more information, see "Extended storage fuse switch" in the "8. Maintenance and do-it-yourself" section.





## MAINTENANCE INDICATORS

### 1. Engine oil replacement indicator

This indicator appears when the customer set time comes for changing the engine oil. You can set or reset the distance for changing the engine oil. (See "Trip computer" later in this section.)

### 2. Oil filter replacement indicator

This indicator appears when the customer set time comes for replacing the oil filter. You can set or reset the distance for replacing the oil filter. (See "Trip computer" later in this section.)

### 3. Tire replacement indicator

This indicator appears when the customer set distance comes for replacing tires. You can set or reset the distance for replacing tires. (See "Trip computer" later in this section.)



## WARNING

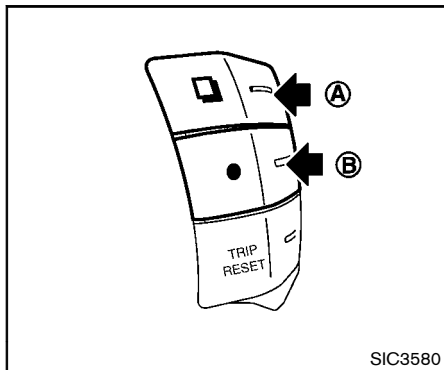
**The tire replacement indicator is not a substitute for regular tire checks, including tire pressure checks. See "Changing wheels and tires" in the "8. Maintenance and do-it-yourself" section. Many factors including tire inflation, alignment, driving habits and road conditions affect tire wear and when**

**tires should be replaced. Setting the tire replacement indicator for a certain driving distance does not mean your tires will last that long. Use the tire replacement indicator as a guide only and always perform regular tire checks. Failure to perform regular tire checks, including tire pressure checks could result in tire failure. Serious vehicle damage could occur and may lead to a collision, which could result in serious personal injury or death.**

### 4. "OTHER" indicator

This indicator appears when the customer set time comes for replacing items other than the engine oil, oil filter and tires. You can set or reset the distance for replacing the items. (See "Trip computer" later in this section.)



More maintenance reminders are also available on the center display (if so equipped). (See "How to use INFO button" in the "4. Monitor, heater, air conditioner, audio, phone and voice recognition systems" section.)





Elapsed time and trip odometer → Distance to empty (dte) → Outside air temperature (ICY) → Setting → Warning check

## TRIP COMPUTER

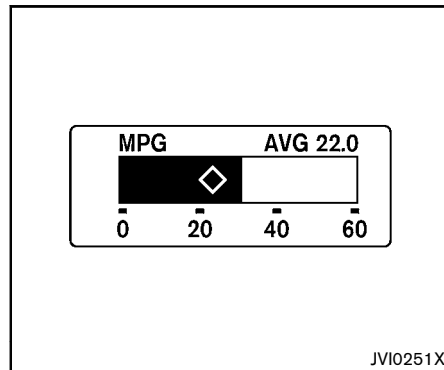
Switches for the trip computer are located on the right side of the combination meter panel. To operate the trip computer, push the side or front of the switches as shown above.

- Ⓐ  switch
- Ⓑ  switch

When the ignition switch is pushed to the ON position, modes of the trip computer can be selected by pushing the  switch Ⓐ.

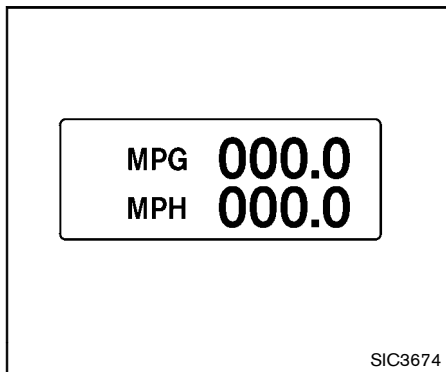
Each time the  switch Ⓐ is pushed, the display will change as follows:

Current and average fuel consumption →  
Average fuel consumption and speed →



Current and average fuel consumption (MPG, l (liter)/100 km)

The current and average fuel consumption mode shows the current and average fuel consumption.



Average fuel consumption (MPG, l/100 km) and speed (MPH or km/h)

**Fuel consumption:**

The average fuel consumption mode shows the average fuel consumption since the last reset. Resetting is done by pushing the ● switch (B) for longer than 1 second. (The average speed is also reset at the same time.)

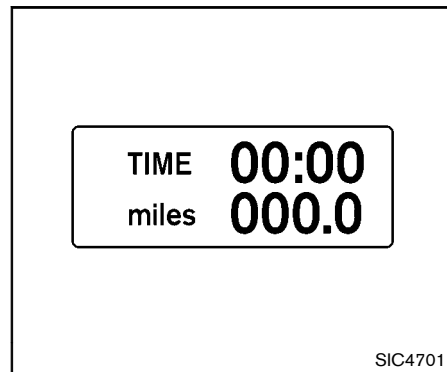
The display is updated every 30 seconds. At about the first 1/3 mile (500 m) after a reset, the display shows "—".

**Speed:**

The average speed mode shows the average vehicle speed since the last reset. Resetting is

done by pushing the ● switch (B) for longer than 1 second. (The average fuel consumption is also reset at the same time.)

The display is updated every 30 seconds. The first 30 seconds after a reset, the display shows "—".



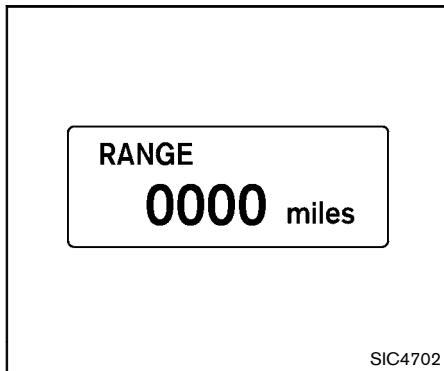
Elapsed time and trip odometer (miles or km)

**Elapsed time:**

The elapsed time mode shows the time since the last reset. The displayed time can be reset by pushing the ● switch (B) for longer than 1 second. (The trip odometer is also reset at the same time.)

**Trip odometer:**

The trip odometer mode shows the total distance the vehicle has been driven since the last reset. Resetting is done by pushing the ● switch (B) for longer than 1 second. (The elapsed time is also reset at the same time.)



pushed to the OFF position may continue to be displayed.

- When driving uphill or rounding curves, the fuel in the tank shifts, which may momentarily change the display.

### Distance to empty (dte — miles or km)

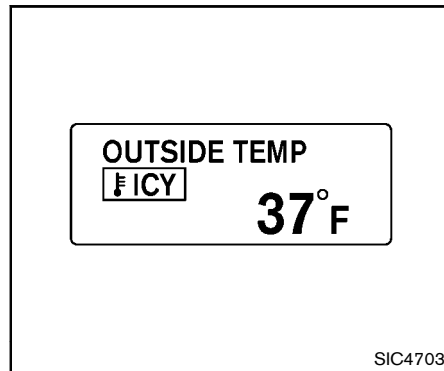
The distance to empty (dte) mode provides you with an estimation of the distance that can be driven before refueling. The dte is constantly being calculated, based on the amount of fuel in the fuel tank and the actual fuel consumption.

The display is updated every 30 seconds.

The dte mode includes a low range warning feature. If the fuel level is low, the warning is displayed on the screen.

When the fuel level drops even lower, the dte display will change to “—”.

- If the amount of fuel added is small, the display just before the ignition switch is

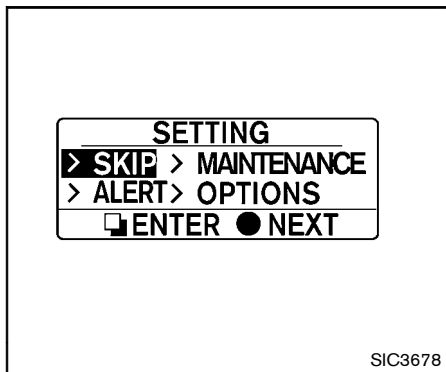


### Outside air temperature (ICY — °F or °C)

The outside air temperature is displayed in °F or °C in the range of -22 to 140°F (-30 to 60°C).



The outside air temperature mode includes a low temperature warning feature. If the outside air temperature is below 37°F (3°C), the warning is displayed on the screen.

The outside temperature sensor is located in front of the radiator. The sensor may be affected by road or engine heat, wind directions and other driving conditions. The display may differ from the actual outside temperature or the temperature displayed on various signs or billboards.




## Setting

**Setting cannot be made while driving. A message “Setting can only be operated when stopped” is also displayed on the dot matrix crystal display.**

The  switch (A) and  switch (B) are used in the setting mode to select and decide a menu.

### SKIP:

Push the  switch (A) to move to the warning check mode.

Push the  switch (B) to select other menus.

### ALERT:

Alert menu can be set to notify the following items.

- TIMER  
Select this submenu to specify when the “TIMER” indicator activates.
- ICY  
Select this submenu to display the low outside temperature warning.

To return to the top page of the setting mode, select “BACK”.

### MAINTENANCE:

The maintenance intervals of the following items can be set or reset for the reminders.

- OIL  
Select this submenu to set or reset the distance for changing the engine oil.
- FILTER  
Select this submenu to set or reset the distance for replacing the oil filter.
- TIRE  
Select this submenu to set or reset the distance for replacing tires.
- OTHER  
Select this submenu and set or reset the distance for replacing items other than the engine oil, oil filter and tires.

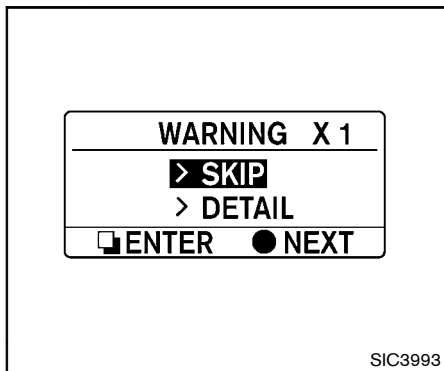
To return to the top page of the setting mode, select “BACK”.

### OPTIONS:

The following option menus can be set to your preference.

- LANGUAGE  
Select this submenu to choose English, French or Spanish for display.
- UNIT  
Select this submenu to choose the unit from MPG or l/100 km.
- EFFECTS  
Select this menu to set the dial effects described below to on or off.
  - The indicator needles sweep in the meters and the ring illumination will be brightened gradually when the engine is started.

To return to the top page of the setting mode, select “BACK”.



### Warning check

To see if there are any of the following warnings and corresponding details, select this menu.

- No key warning
- Low fuel warning
- Low washer fluid warning
- Parking brake release warning
- Door/lift gate open warning (Hardtop models)
- Door/trunk open warning (CrossCabriolet models)
- Loose fuel cap warning

- Check tire pressure warning

#### SKIP:

Push the  switch (A) to exit the warning check display.

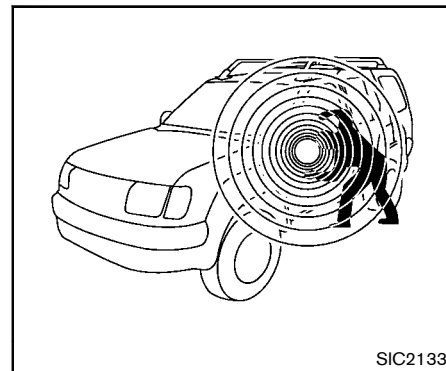
Push the  switch (B) to select DETAIL menu.

#### DETAIL:

This item is available only when a warning is displayed.

Select this menu to see the details of warnings.

## SECURITY SYSTEMS



Your vehicle has two types of security systems, as follows:

- Vehicle security system (if so equipped)
- NISSAN Vehicle Immobilizer System

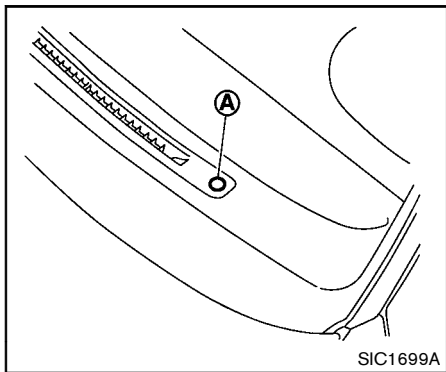
The security condition will be shown by the security indicator light.

## VEHICLE SECURITY SYSTEM (if so equipped)


The vehicle security system provides visual and audio alarm signals if someone opens the doors or lift gate/trunk when the system is armed. It is not, however, a motion detection type system that activates when a vehicle is moved or when a vibration occurs.

The system helps deter vehicle theft but cannot prevent it, nor can it prevent the theft of interior or exterior vehicle components in all situations. Always secure your vehicle even if parking for a brief period. Never leave your keys in the vehicle, and always lock it when unattended. Be aware of your surroundings, and park in secure, well-lit areas whenever possible.

Many devices offering additional protection, such as component locks, identification markers, and tracking systems, are available at auto supply stores and specialty shops. Your NISSAN dealer may also offer such equipment. Check with your insurance company to see if you may be eligible for discounts for various theft protection features.



### How to arm the vehicle security system

1. Close all windows.
- The system can be armed even if the windows are open.**
2. Push the ignition switch to the OFF position.
3. Carry the Intelligent Key.
4. Close all doors and lift gate/trunk. Lock all door. The doors can be locked with:
  - the lock button  on the Intelligent Key
  - any request switch
  - the power door lock switch
  - the key — master or mechanical

5. Confirm that the security indicator light **(A)** comes on. The security indicator light stays on for about 30 seconds. The vehicle security system is now pre-armed. After about 30 seconds the vehicle security system automatically shifts into the armed phase. The security light begins to flash once every approximately 3 seconds. If, during this 30-second pre-arm time period, the door is unlocked, or the ignition switch is pushed to ACC or ON, the system will not arm.

**Even when the driver and/or passengers are in the vehicle, the system will activate with all doors and lift gate/trunk locked with the ignition switch in the LOCK position. When pushing the ignition switch to the ACC or ON position, the system will be released.**

### Vehicle security system activation


The vehicle security system will give the following alarm:

- The headlights blink and the horn sounds intermittently.
- The alarm automatically turns off after approximately 1 minute. However, the alarm reactivates if the vehicle is tampered with again.

The alarm is activated by:

- Unlocking the door or opening the lift gate/trunk without using the button on the Intelligent Key, the request switch or the key. (Even if the door is opened by releasing the door inside lock knob, the alarm will activate.)

### How to stop an activated alarm

The alarm will stop by unlocking a door by pushing the unlock button  on the Intelligent Key, pushing the request switch or using the key. The alarm will not stop if the ignition switch is placed in the ACC or ON position.

**If the system does not operate as described above, have it checked by a NISSAN dealer.**

## NISSAN VEHICLE IMMOBILIZER SYSTEM

The NISSAN Vehicle Immobilizer System will not allow the engine to start without the use of the registered key. **Never leave these keys in the vehicle.**

### For USA:

**This device complies with Part 15 of the FCC Rules. Operation is subject to the following two conditions:**

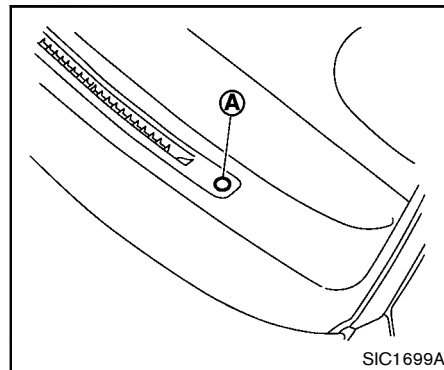
**(1) This device may not cause harmful interference, and (2) this device must accept any interference received, including interference that may cause undesired operation.**

**Note: Changes or modifications not expressly approved by the party responsible for compliance could void the user's authority to operate the equipment.**


### For Canada:

**This device complies with RSS-210 of Industry Canada. Operation is subject to the following two conditions:**

**(1) this device may not cause interference, and (2) this device must accept any interference, including interference that may cause undesired operation of the device.**



### Security indicator light

The security indicator light  indicates the status of the NISSAN Vehicle Immobilizer System.

The light blinks after the ignition switch was in the ACC, OFF and LOCK position. This function indicates the security systems equipped on the vehicle are operational.

If the NISSAN Vehicle Immobilizer System is malfunctioning, this light will remain on while the ignition switch is in the ON position.

**If the light still remains on and/or the engine will not start, see a NISSAN dealer for NISSAN Vehicle Immobilizer System**



service as soon as possible. Please bring all registered keys that you have when visiting a NISSAN dealer for service.

## WINDSHIELD WIPER AND WASHER SWITCH



### WARNING

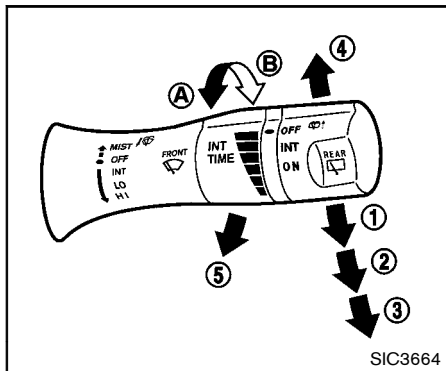
In freezing temperatures the washer solution may freeze on the windshield and obscure your vision which may lead to an accident. Warm windshield with the defroster before you wash the windshield.



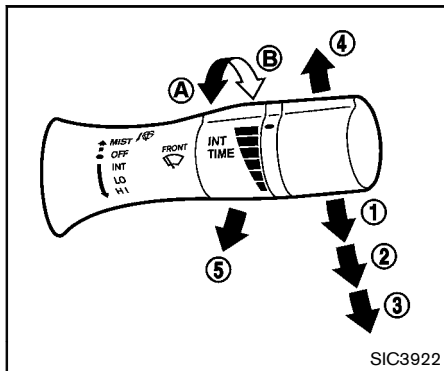
### CAUTION

- Do not operate the washer continuously for more than 30 seconds.
- Do not operate the washer if the reservoir tank is empty.
- Do not fill the window washer reservoir tank with washer fluid concentrates at full strength. Some methyl alcohol based washer fluid concentrates may permanently stain the grille if spilled while filling the window washer reservoir tank.
- Pre-mix washer fluid concentrates with water to the manufacturer's recommended levels before pouring the fluid into the window washer

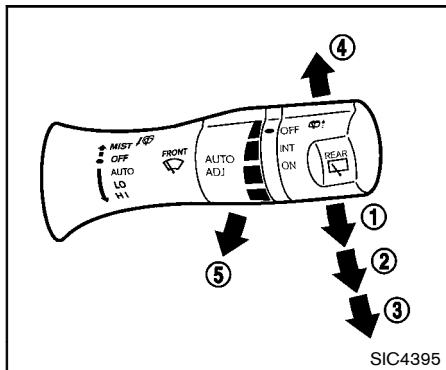
reservoir tank. Do not use the window washer reservoir tank to mix the washer fluid concentrate and water.



Type A



Type C



Type B

washer. Then the wiper will also operate several times.

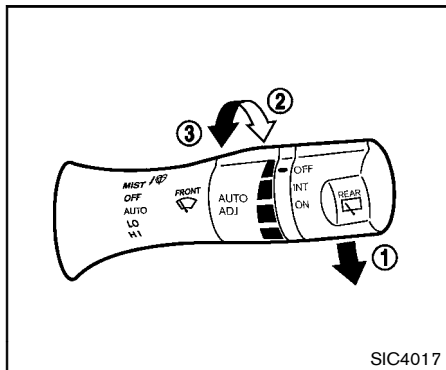
The windshield wiper and washer operates when the ignition switch is in the ON position.

Push the lever down to operate the wiper at the following speed:

- ① INT (Type A or Type C) — intermittent operation can be adjusted by turning the knob toward **A** (Slower) or **B** (Faster).
- ① AUTO (Type B) — For models with the rain-sensing auto wiper system, see "Rain-sensing auto wiper system" later in this section.
- ② LO — continuous low speed operation
- ③ HI — continuous high speed operation

Push the lever up **④** (MIST) to have one sweep operation of the wiper.

Pull the lever toward you **⑤** to operate the



## RAIN-SENSING AUTO WIPER SYSTEM (if so equipped)

The rain-sensing auto wiper system can automatically turn on the wipers and adjust the wiper speed depending on the rainfall and the vehicle speed by using the rain sensor located on the upper part of the windshield.

To set the rain-sensing auto wiper system, push the lever down to the AUTO position ①. The wiper will sweep once while the ignition switch is in the ON position.

The rain sensor sensitivity level can be adjusted by turning the knob toward the front ② (High) or toward the rear ③ (Low).

- High — High sensitive operation
- Low — Low sensitive operation

To turn the rain-sensing auto wiper system off, push up the lever to the OFF position, or pull down the lever to the LO or HI position.



### CAUTION

Do not touch the rain sensor and around it when the wiper switch is in the AUTO position and the ignition switch is in the ON position. The wipers may operate unexpectedly and cause to an injury or a wiper damage.

- The rain-sensing auto wipers are intended for use during rain. If the switch is left in the AUTO position, the wipers may operate unexpectedly when dirt, fingerprints, oil film or insects are stuck on or around the sensor. The wipers may also operate when exhaust gas or moisture affect the rain sensor.
- When the windshield glass is coated with water repellent, the speed of the rain-sensing auto wipers may be higher even though the amount of the rainfall is small.

- Be sure to turn off the rain-sensing auto wiper system when you use a car wash.
- The rain-sensing auto wipers may not operate if rain does not hit the rain sensor even if it is raining.
- Using genuine wiper blades is recommended for proper operation of the rain-sensing auto wiper system. (See “Windshield wiper blades” in the “8. Maintenance and do-it-yourself” section for wiper blade replacement.)

## REAR WINDOW WIPER AND WASHER SWITCH (Hardtop models)

### WARNING

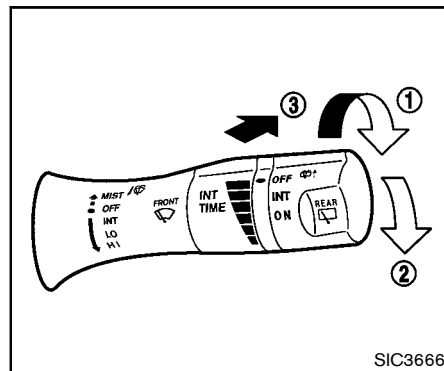
In freezing temperatures the washer solution may freeze on the rear window glass and obscure your vision. Warm the rear window with the defroster before you wash the rear window.

### CAUTION

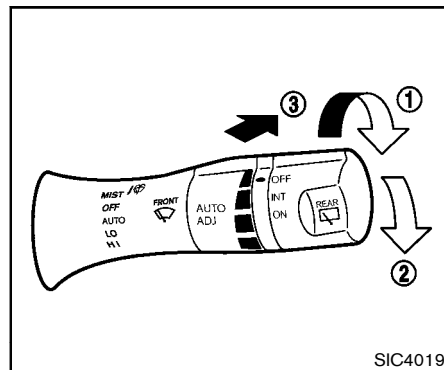
- Do not operate the washer continuously for more than 30 seconds.
- Do not operate the washer if the reservoir tank is empty.
- Do not fill the window washer reservoir tank with washer fluid concentrates at full strength. Some methyl alcohol based washer fluid concentrates may permanently stain the grille if spilled while filling the window washer reservoir tank.
- Pre-mix washer fluid concentrates with water to the manufacturer's recommended levels before pouring the fluid into the window washer reservoir tank. Do not use the

window washer reservoir tank to mix the washer fluid concentrate and water.

If the rear window wiper operation is interrupted by snow or ice, the wiper may stop moving to protect its motor. If this occurs, turn the wiper switch to the OFF position and remove the snow or ice that is on and around the wiper arms. In approximately 1 minute, turn the switch on again to operate the wiper.



Type A



Type B

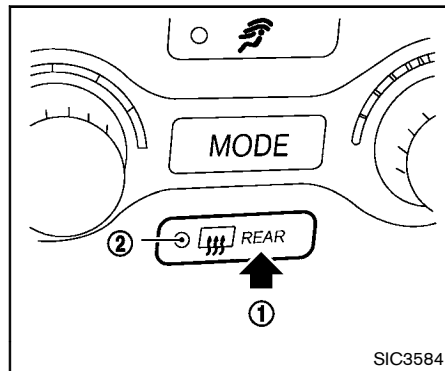
## REAR WINDOW AND OUTSIDE MIRROR DEFROSTER SWITCH

The rear window wiper and washer operate when the ignition switch is in the ON position.

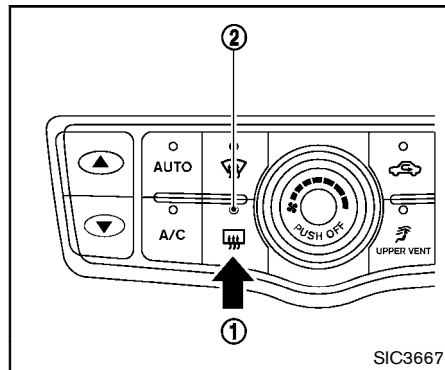
Turn the switch clockwise from the OFF position to operate the wiper.

- ① Intermittent (INT) — intermittent operation (not adjustable)
- ② Low (ON) — continuous low speed operation

Push the switch forward ③ to operate the washer. Then the wiper will also operate several times.



Type A



Type B

To defog/defrost the rear window glass and outside mirrors (if so equipped), start the engine and push the switch ① on. The indicator light ② will come on. Push the switch again to turn the defroster off.

It will automatically turn off in approximately 15 minutes.

### CAUTION

- When cleaning the inner side of the rear window, be careful not to scratch or damage the rear window defroster.
- Do not use the rear window defroster switch while the soft top is being operated or fully opened. The heat may damage the soft top material and/or components (CrossCabriolet models).

## HEADLIGHT AND TURN SIGNAL SWITCH

XENON HEADLIGHTS (if so equipped)



### WARNING



#### HIGH VOLTAGE

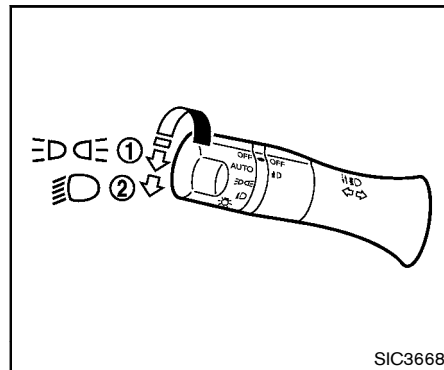
- When xenon headlights are on, they produce a high voltage. To prevent an electric shock, never attempt to modify or disassemble. Always have your xenon headlights replaced at a NISSAN dealer.
- Xenon headlights provide considerably more light than conventional headlights. If they are not correctly aimed, they might temporarily blind an oncoming driver or the driver ahead of you and cause a serious accident. If headlights are not aimed correctly, immediately take your vehicle to a NISSAN dealer and have the headlights adjusted correctly.

When the xenon headlight is initially turned on, its brightness or color varies slightly. However, the color and brightness will soon stabilize.

- **The life of xenon headlights will be shortened by frequent on-off operation. It is generally desirable not to turn**

**off the headlights for short intervals (for example, when the vehicle stops at a traffic signal).**

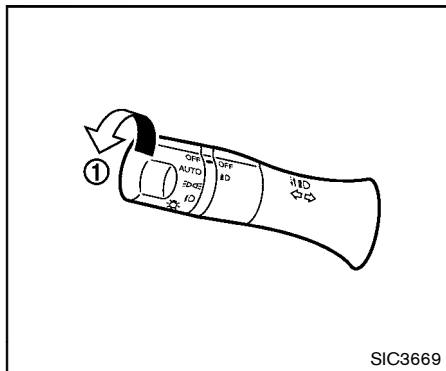
- If the xenon headlight bulb is close to burning out, the brightness will drastically decrease, the light will start blinking, or the color of the light will become reddish. If one or more of the above signs appear, contact a NISSAN dealer.



## HEADLIGHT SWITCH

### Lighting

- ① Turn the switch to the **OFF** position. The front parking, side marker, tail, license plate and instrument lights will come on.
- ② Turn the switch to the **D** position. Headlights will come on and all the other lights remain on.


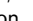


### Autolight system (if so equipped)

The autolight system allows the headlights to be set so they turn on and off automatically.

To set the autolight system:

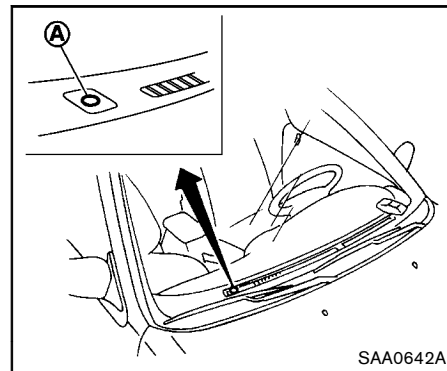
1. Make sure the headlight switch is in the AUTO position ①.
2. Push the ignition switch to the ON position.
3. The autolight system automatically turns the headlights on and off.

To turn the autolight system off, turn the switch to the OFF,  or  position.

The autolight system can turn on the headlights automatically when it is dark and turn off the

headlights when it is light.

If the ignition switch is pushed to the OFF position and one of the doors is opened and this condition is continued, the headlights remain on for a period of time.



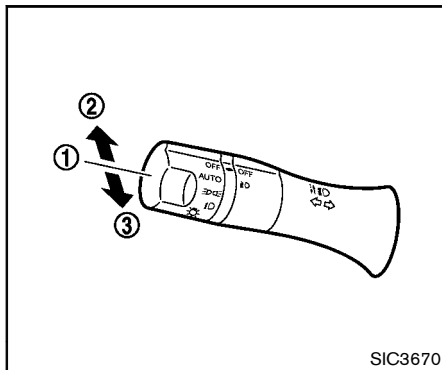
**Be sure not to put anything on top of the photo sensor **A** located on the top of the instrument panel. The photo sensor controls the autolight; if it is covered, the photo sensor reacts as if it is dark and the headlights will illuminate.**

### **Automatic headlights off delay:**


You can keep the headlights on for up to 180 seconds after you push the ignition switch to OFF and open any door then close all the doors.

You can adjust the period of the automatic headlights off delay from 0 seconds (OFF) to 180 seconds. The factory default setting is 45 seconds.



For automatic headlights off delay setting, see “Vehicle information and settings” in the “4. Monitor, heater, air conditioner, audio, phone and voice recognition systems” section.

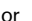
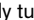


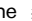
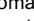
### Headlight beam select

- ① To select the low beam, put the lever in the neutral position as shown.
- ② To select the high beam, push the lever forward while the switch is in the  position. Pull it back to select the low beam.
- ③ Pulling the lever toward you will flash the headlight high beam even when the headlight switch is in the OFF position.

### Battery saver system

A chime will sound when the driver side door is opened with the light switch in the  or  position and the ignition switch in the ACC, OFF or LOCK position.

When the headlight switch is in the  or  position while the ignition switch is in the ON position, the lights will automatically turn off after a period of time when the ignition switch has been pushed to the OFF position.

When the headlight switch remains in the  or  position after the lights automatically turn off, the lights will turn on when the ignition switch is pushed to the ON position.

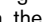

### CAUTION

- **When you turn on the headlight switch again after the lights automatically turn off, the lights will not turn off automatically. Be sure to turn the light switch to the OFF position when you leave the vehicle for extended periods of time, otherwise the battery will be discharged.**
- **Never leave the light switch on when the engine is not running for extended periods of time even if the**



### headlights turn off automatically.

#### Daytime running light system (Canada only)

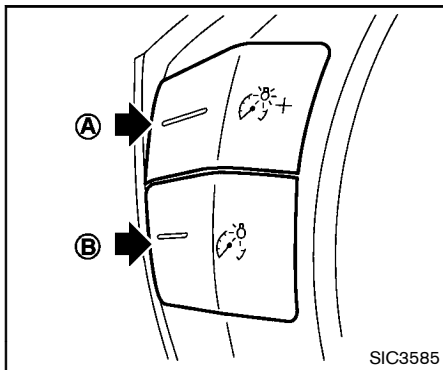
The daytime running lights automatically illuminate when the engine is started with the parking brake released. The daytime running lights operate with the headlight switch in the OFF position or in the  position. Turn the headlight switch to the  position for full illumination when driving at night.

If the parking brake is applied before the engine is started, the daytime running lights do not illuminate. The daytime running lights illuminate once the parking brake is released. The daytime running lights will remain on until the ignition switch is pushed to the OFF position.



### WARNING

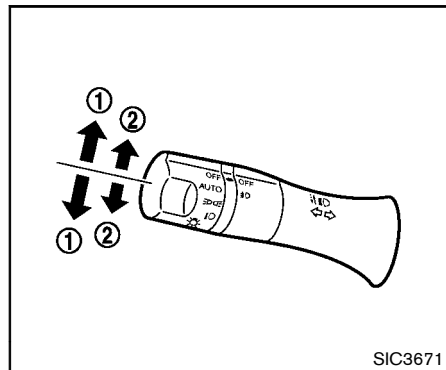
**When the daytime running light system is active, tail lights on your vehicle are not on. It is necessary at dusk to turn on your headlights. Failure to do so could cause an accident injuring yourself and others.**



#### Instrument brightness control

The instrument brightness control operates when the ignition switch is in the ON position.

To adjust the brightness of instrument panel lights, push the control switches. Pushing the upper switch (A) will brighten the lights. When the brightness (A) reaches the maximum level, a beep will sound. The lower switch (B) dims the lights. Repeatedly pushing the lower switch will turn the lights off and a beep will sound.



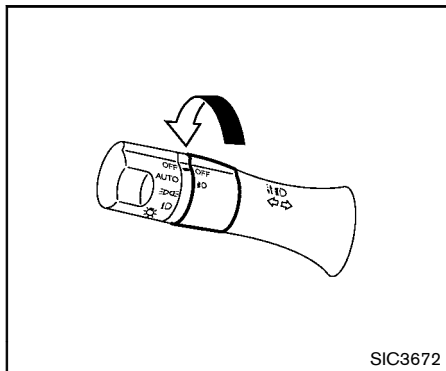
#### TURN SIGNAL SWITCH

##### ① Turn signal



Move the lever up or down to signal the turning direction. When the turn is completed, the turn signals cancel automatically.

##### ② Lane change signal

To indicate a lane change, move the lever up or down to the point where lights begin flashing.

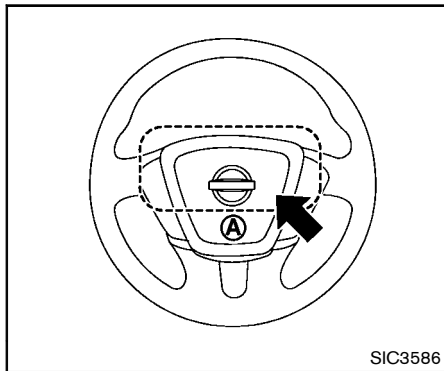


### FOG LIGHT SWITCH (if so equipped)

To turn the fog lights on, turn the headlight switch to the  position, then turn the switch to the  position. To turn them off, turn the switch to the OFF position.

The headlights must be on for the fog lights to operate.

### HORN

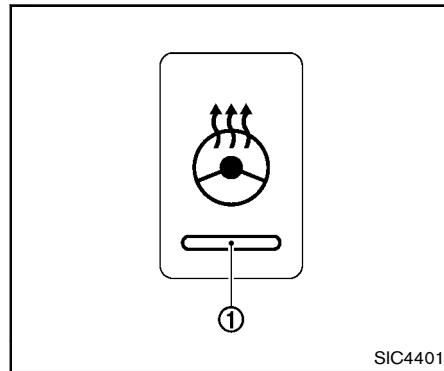


To sound the horn, push the pad area **A** of the steering wheel.

### WARNING

**Do not disassemble the horn. Doing so could affect proper operation of the supplemental front air bag system. Tampering with the supplemental front air bag system may result in serious personal injury.**

### HEATED STEERING WHEEL (if so equipped)



The heated steering wheel system is designed to operate only when the surface temperature of the steering wheel is below 68°F (20°C).

Push the heated steering wheel switch to warm the steering wheel after the engine starts. The indicator light **1** on the switch will illuminate.

If the surface temperature of the steering wheel is below 68°F (20°C), the system will heat the steering wheel and cycle off and on to maintain a temperature above 68°F (20°C). The indicator light will remain on as long as the system is on.

Push the switch again to turn the heated steering wheel system off manually. The indicator light will turn off.

## HEATED SEATS (if so equipped)

### NOTE:

If the surface temperature of the steering wheel is above 68°F (20°C) when the switch is turned on, the system will not heat the steering wheel. This is not a malfunction.



### WARNING

Do not use or allow occupants to use the seat heater if you or the occupants cannot monitor elevated seat temperatures or have an inability to feel pain in body parts that contact the seat. Use of the seat heater by such people could result in serious injury.

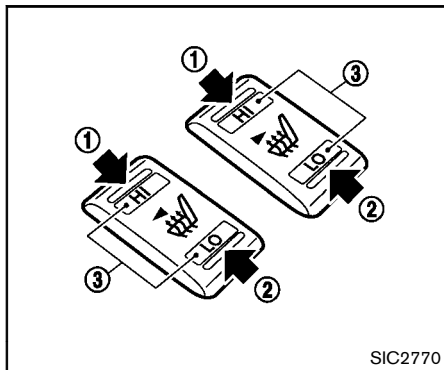


### CAUTION

- The battery could run down if the seat heater is operated while the engine is not running.
- Do not use the seat heater for extended periods or when no one is using the seat.
- Do not put anything on the seat which insulates heat, such as a blanket, cushion, seat cover, etc. Otherwise, the seat may become overheated.
- Do not place anything hard or heavy on the seat or pierce it with a pin or similar object. This may result in

damage to the heater.

- Any liquid spilled on the heated seat should be removed immediately with a dry cloth.
- When cleaning the seat, never use gasoline, thinner, or any similar materials.
- If any malfunctions are found or the heated seat does not operate, turn the switch off and have the system checked by a NISSAN dealer.



The seats are warmed by built-in heaters. The switches located on the center console and rear doors (if so equipped for rear seats) can be operated independently of each other.

1. Start the engine.
2. Select heat range.
  - ① For high heat, push the HI (High) side of the switch.
  - ② For low heat, push the LO (Low) side of the switch.

The indicator light in the switch ③ will illuminate when the heater is on.

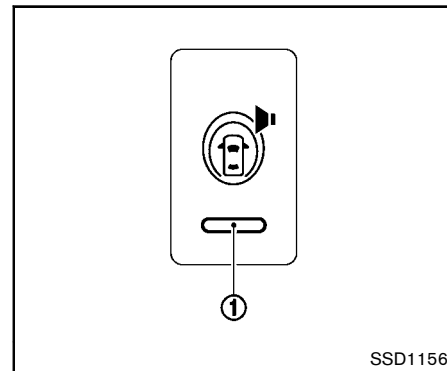
3. To turn off the heater, return the switch to the level position. Make sure the indicator

light goes off.

The heater is controlled by a thermostat, automatically turning the heater on and off. The indicator light will remain on as long as the switch is on.

When the vehicle's interior is warmed, or before you leave the vehicle, be sure to turn off the switch.

## WARNING SYSTEMS SWITCH (if so equipped)



The warning systems switch is used to temporarily turn off the warning systems (Lane Departure Warning (LDW) and Blind Spot Warning (BSW) systems) that are activated on the center display.

When the warning systems switch is turned off, the indicator ① on the switch is off. The indicator will also be off if all of the warning systems are deactivated using the center display.

The BSW system will turn on the Blind Spot Indicator lights, located inside the outside mirrors, if a vehicle is located in the detection zone. If the turn signal is activated in the direction of the detected vehicle, a chime

sounds twice and the Blind Spot Indicator light will flash. For additional information, see “Blind Spot Warning (BSW)/Lane Departure Warning (LDW) systems” in the “5. Starting and driving” section.

The LDW system will sound a warning chime and the LDW light (orange) in the instrument panel blinks to alert the driver if the vehicle is traveling close to either the left or the right of a traveling lane when detected by the camera unit. For additional information, see “Blind Spot Warning (BSW)/Lane Departure Warning (LDW) systems” in the “5. Starting and driving” section.

## CLOCK

### MODELS WITH COLOR DISPLAY

To adjust the clock on the front color display, use the SETTING button on the center multi-function control panel. See “How to use SETTING button” in the “4. Monitor, heater, air conditioner, audio, phone and voice recognition systems” section.

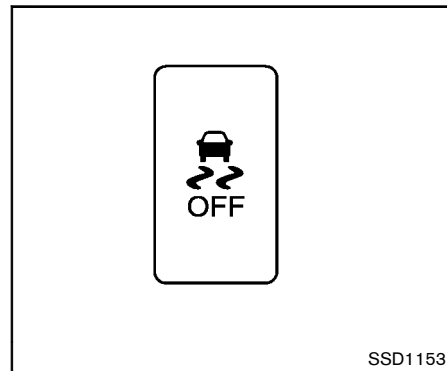
The clock settings display cannot be operated while driving. Stop the vehicle in a safe place and apply the parking brake before setting the clock.

### MODELS WITHOUT COLOR DISPLAY

The digital clock (in the audio unit) displays the time when the ignition switch is in the ACC or ON position.


To adjust the clock, see “FM-AM radio with Compact Disc (CD) changer” in the “4. Monitor, heater, air conditioner, audio, phone and voice recognition systems” section.

## VEHICLE DYNAMIC CONTROL (VDC) OFF SWITCH



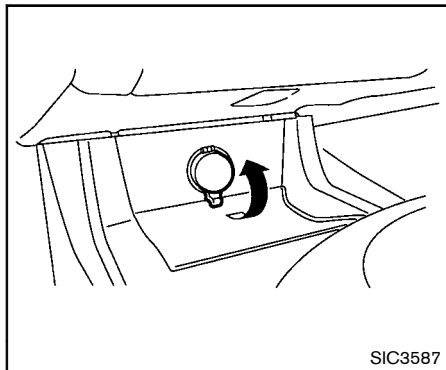
The vehicle should be driven with the Vehicle Dynamic Control (VDC) system on for most driving conditions.

If the vehicle is stuck in mud or snow, the VDC system reduces the engine output to reduce wheel spin. The engine speed will be reduced even if the accelerator is depressed to the floor. If maximum engine power is needed to free a stuck vehicle, turn the VDC system off.

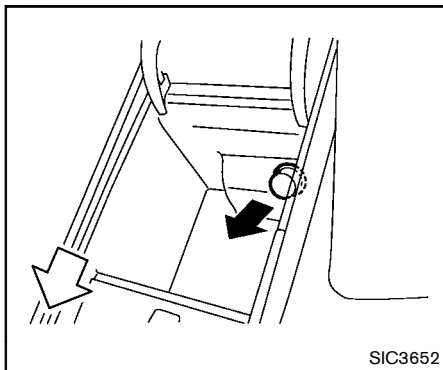
To turn off the VDC system, push the VDC OFF switch. The  indicator will illuminate.

Push the VDC OFF switch again or restart the engine to turn on the system. (See “Vehicle Dynamic Control (VDC) system” in the “5. Starting and driving” section.)

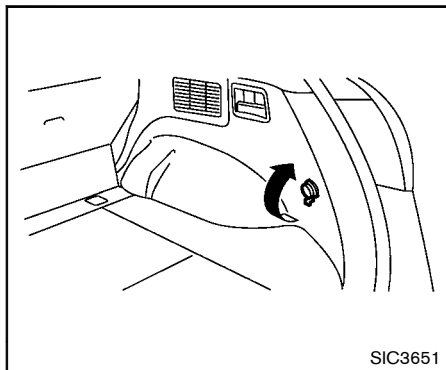
## POWER OUTLET



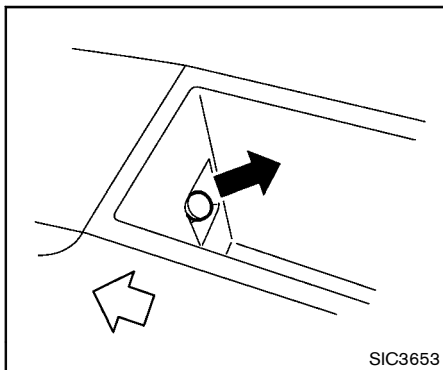
Center console



Console box — Type A



Cargo area (Hardtop models)



Console box — Type B

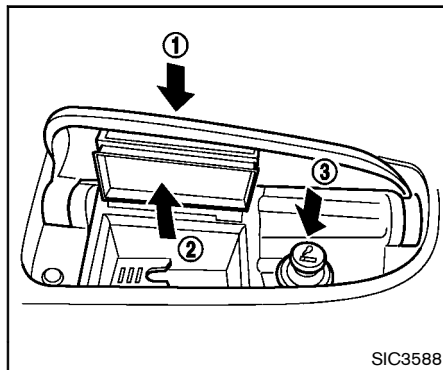
To use the power outlet, pull the cover as illustrated.

### CAUTION

- The outlet and plug may be hot during or immediately after use.
- Do not use with accessories that exceed a 12 volt, 120W (10A) power draw. Do not use double adapters or more than one electrical accessory.
- Use power outlet with the engine running to avoid discharging the vehicle battery.
- Avoid using power outlet when the air conditioner, headlights or rear window defroster is on.
- This power outlet is not designed for use with a cigarette lighter unit.
- Push the plug in as far as it will go. If good contact is not made, the plug may overheat or the internal temperature fuse may open.
- Before inserting or disconnecting a plug, be sure the electrical accessory being used is turned OFF.

## CIGARETTE LIGHTER AND ASHTRAY (if so equipped)

- When not in use, be sure to close the cap. Do not allow water or any liquid to contact the outlet.



To open the ashtray lid, push the lid down and release it ①.

To empty the ashtray, pull out ②.

The cigarette lighter operates when the ignition switch is in the ON position.

Push the lighter in all the way ③, then release it. When the lighter is heated, it will spring out. Return the lighter to its original position after use.



- The cigarette lighter socket is a power source for the cigarette light-

er element only. The use of the cigarette lighter socket as a power source for any other accessory is not recommended.

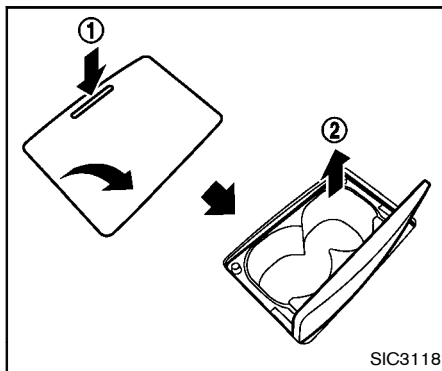
- Do not use any other power outlet for an accessory lighter.

## STORAGE

### CUP HOLDERS

#### CAUTION

- Avoid abrupt starting and braking when the cup holder is being used to prevent spilling the drink. If the liquid is hot, it can scald you or your passenger.
- Use only soft cups in the cup holder. Hard objects can injure you in an accident.

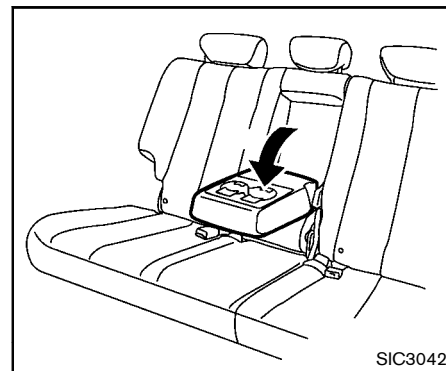


Front

#### Front

To open the cup holder, push the lid ① .

To remove the inner tray for cleaning, pull it up as illustrated ② .

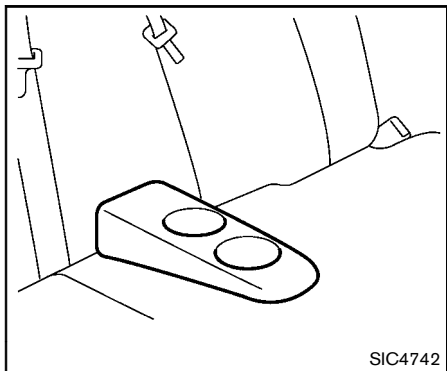


Hardtop models

#### Rear

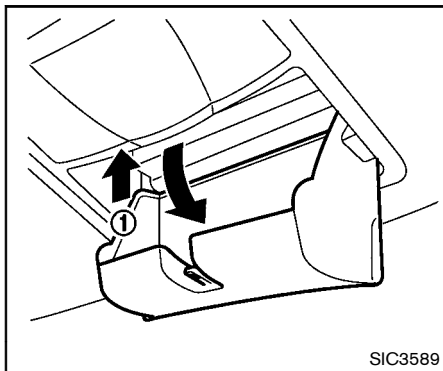
Pull the armrest forward until it is horizontal.





**CrossCabriolet models**

The cup holders are located on the center of rear seat.



**SUNGLASSES HOLDER (Hardtop models)**

**! WARNING**

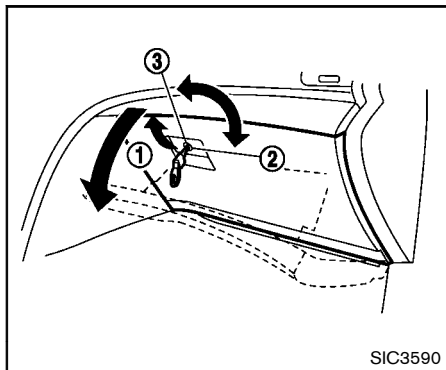
**Keep the sunglasses holder closed while driving to prevent an accident.**

To open the sunglasses holder, push ①.

**! CAUTION**

- **Do not use for anything other than glasses.**

- **Do not leave glasses in the sunglasses holder while parking in direct sunlight. The heat may damage the glasses.**



## GLOVE BOX



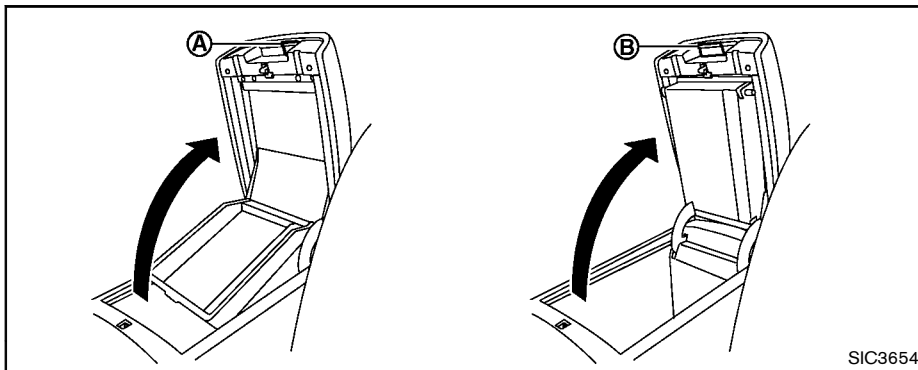
### WARNING

**Keep glove box lid closed while driving to help prevent injury in an accident or a sudden stop.**

To open the glove box, pull the handle ①.

To close, push the lid in until the lock latches.

To lock ② /unlock ③ the glove box, use the mechanical key. For the mechanical key usage, see “Keys” in the “3. Pre-driving checks and adjustments” section.

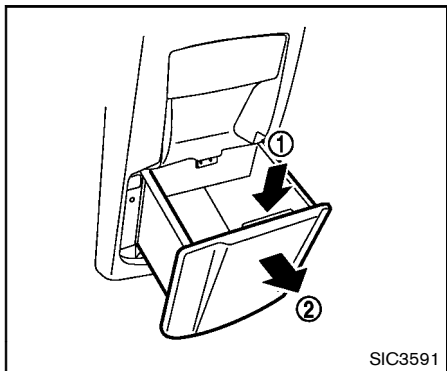


Front

## CONSOLE BOX

Front

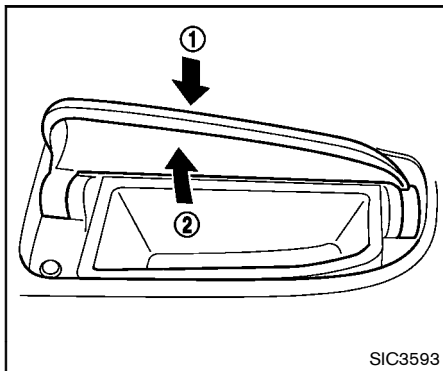
When the lever ① (driver's seat side) is pulled, the upper case is available for storing some small items. When the lever ② (front passenger's seat side) is pulled, the bottom case is available for storing some larger ones.



Rear

Rear (Hardtop models)

To open, push the knob ① and pull out ②.



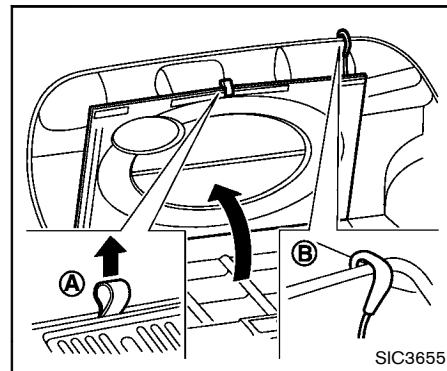
STORAGE BOX (if so equipped)

To open, push the storage box lid ① as illustrated.

The inner tray can be removed ② as illustrated.

**Do not place valuable items in the storage box.**

**Do not use the storage box as an ashtray.**

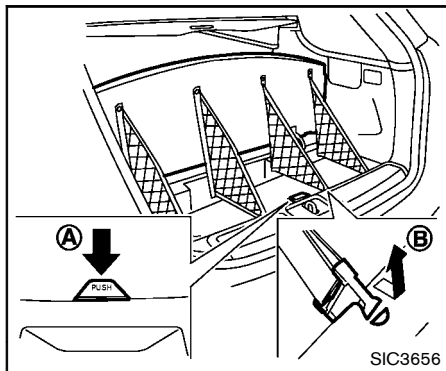


Type A

CARGO FLOOR BOX (if so equipped for Hardtop models)

Type A

1. To open the cargo floor box, pull the strap ①.
2. Remove the strap ② from the back side of the board and hang it on the lip of the lift gate.



Type B

### Type B

To open the cargo floor box, push (A). To close, push the lid until the lock latches.

The net partitions can be removed (B) to make a larger storage space.

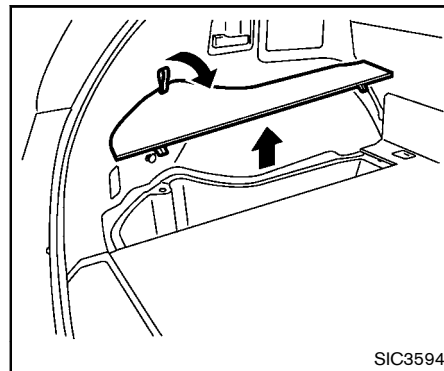
The cargo floor box needs to be removed when you need a spare tire. (See "Flat tire" in the "6. In case of emergency" section.)



### CAUTION

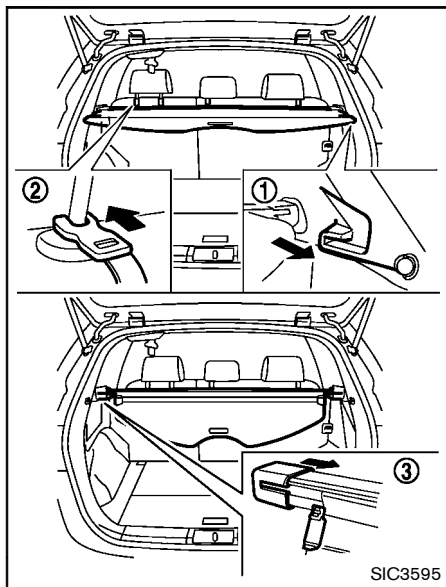
To avoid damage, do not load more than 22 lbs (10 kg) of cargo into the

### cargo floor box.



### LUGGAGE SIDE BOX (Hardtop models)

To open the luggage side box, pull up the strap.



### CARGO COVER (if so equipped for Hardtop models)

The cargo cover keeps the contents in the cargo area hidden from the outside.

To use the cargo cover, pull it out and hang both sides on the hooks ①.

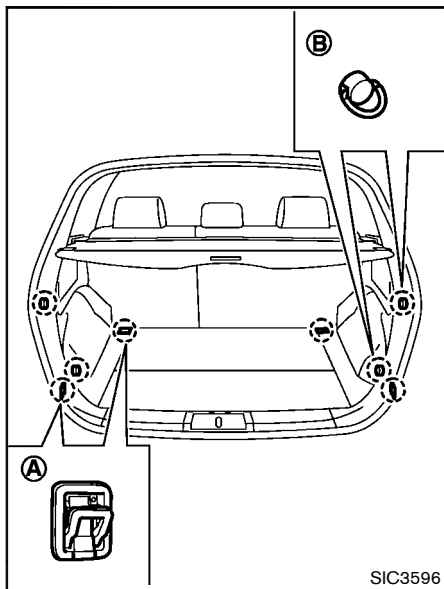
To use the sub cover, hang the straps on the back of the head restraint ②.

To stow the cargo cover, remove it from the hooks and hold until it is retracted.

To remove the cargo cover, stow the cover and pull the left side of the holder to the opposite side ③.

### WARNING

- Never put anything on the cargo cover, no matter how small. Any object on it could cause an injury in an accident or sudden stop.
  - Close the cargo cover when folding the rear seat.
  - Do not leave the cargo cover in the vehicle with it disengaged from the holder.
  - Properly secure all cargo with ropes or straps to help prevent it from sliding or shifting. Do not place cargo higher than the seatbacks. In a sudden stop or collision, unsecured cargo could cause personal injury.
  - Your child could be seriously injured or killed in a collision if the child restraint top tether strap is damaged.
- If the cargo cover contacts the top tether strap when it is attached to the top tether anchor, remove the cargo cover from the vehicle or secure it on the cargo floor below its attachment location. If the cargo cover is not removed, it may damage the top tether strap during a collision.
  - Do not allow cargo to contact the top tether strap when it is attached to the top tether anchor. Properly secure the cargo so it does not contact the top tether strap. Cargo that is not properly secured or that contacts the top tether strap may damage the top tether strap during a collision.



LUGGAGE HOOKS (Hardtop models)

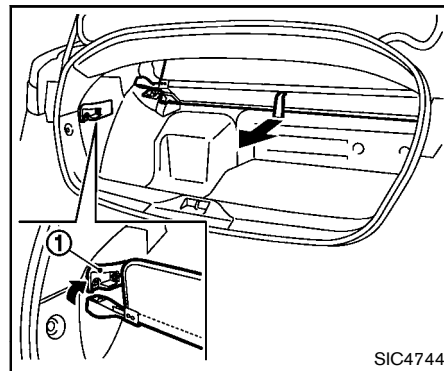
**WARNING**

- Always make sure that the cargo is properly secured. Use the suitable ropes and hooks.

- Unsecured cargo can become dangerous in an accident or sudden stop.

**CAUTION**

Do not apply a total load of more than 22 lb (10 kg) **A** or 7 lb (3 kg) **B** to a single hook.



LUGGAGE COVER (CrossCabriolet models)

A luggage cover is used to separate the trunk and the top storage area.

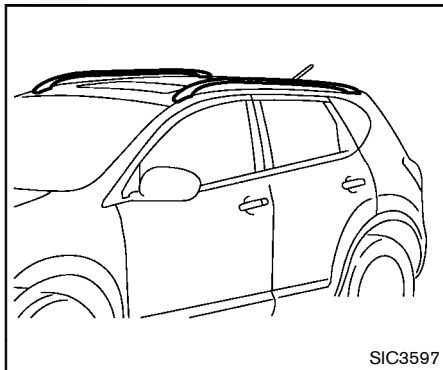
To use the luggage cover, pull it out and hang both sides on the hooks **1**.

To stow the luggage cover, remove it from the hooks and hold it until it is retracted.

The luggage cover must be pulled out and hung on hooks **1** for the soft top to operate. (See "Soft top (CrossCabriolet models)" in the "3. Pre-driving checks and adjustments" section.)

## **WARNING**

- Do not place anything over the luggage cover during soft top operation.
- Do not place or leave objects under the cover that may push the cover up.
- Do not place items on sides that intrude into luggage cover area.



### ROOF RACK (if so equipped for Hard-top models)

Always distribute the luggage evenly on the roof rack. Do not load more than 165 lb (75 kg) (black) or 220 lb (100 kg) (silver) on the roof rails. Observe the maximum load limit shown on the crossbars or roof carriers when you attach them on the roof rails. Contact a NISSAN dealer for crossbar or other equipment information. Be careful that your vehicle does not exceed the Gross Vehicle Weight Rating (GVWR) or its Gross Axle Weight Rating (GAWR front and rear). The GVWR and GAWR are located on the F.M.V.S.S. or C.V.M.S.S. certification label (located on the driver's door pillar). For more

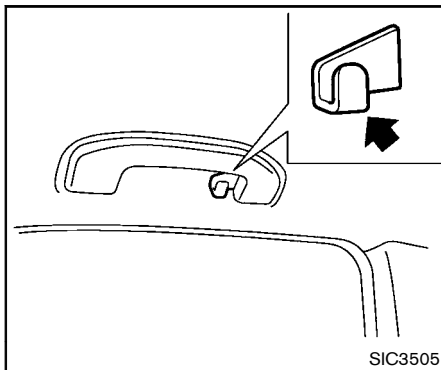
information regarding GVWR and GAWR, see "Vehicle loading information" in the "9. Technical and consumer information" section.

## **WARNING**

- Drive extra carefully when the vehicle is loaded at or near the cargo carrying capacity, especially if the significant portion of that load is carried on the roof rack.
- Heavy loading of the roof rack has the potential to affect the vehicle stability and handling during sudden or unusual handling maneuvers.
- Roof rack load should be evenly distributed.
- Do not exceed maximum roof rack load weight capacity.
- Properly secure all cargo with ropes or straps to help prevent it from sliding or shifting. In a sudden stop or collision, unsecured cargo could cause personal injury.

## CAUTION

Use care when placing or removing items from the roof rack. If you cannot comfortably lift the items onto the roof rack from the ground, use a ladder or stool.



### COAT HOOKS (Hardtop models)

The coat hooks are equipped beside the rear personal lights.

## CAUTION

**Do not place items which are more than 2 lb (1 kg) on the hook.**

## WINDOWS

### POWER WINDOWS

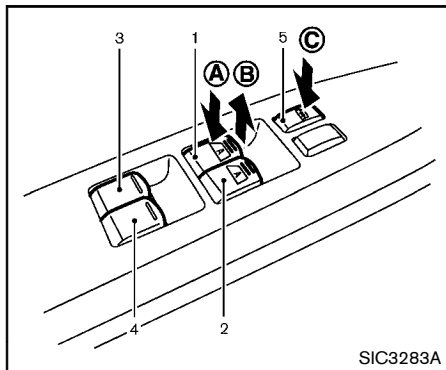
## WARNING

- Make sure that all passengers have their hands, etc. inside the vehicle while it is in motion and before closing the windows. Use the window lock switch to prevent unexpected use of the power windows.
- Do not leave children unattended inside the vehicle. They could unknowingly activate switches or controls and become trapped in the window. Unattended children could become involved in serious accidents.

The power windows operate when the ignition switch is in the ON position or for about 45 seconds after the ignition switch is pushed to the OFF position. If the driver's or front passenger's door is opened during this period of about 45 seconds, power to the windows is canceled.

The power window switches will be deactivated during soft top operation (CrossCabriolet models).





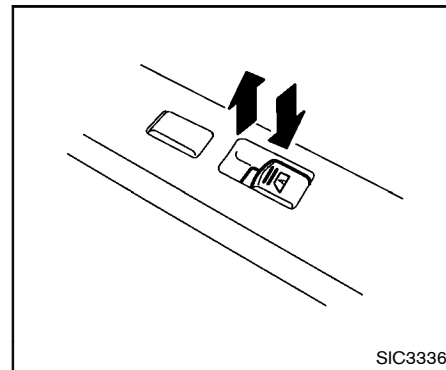
1. Driver side window
2. Front passenger side window
3. Rear left passenger side window
4. Rear right passenger side window
5. Window lock button

### Main power window switch (driver's side)

To open or close the window, push down (A) or pull up (B) the switch and hold it. The main switch (driver side switches) will open or close all the windows.

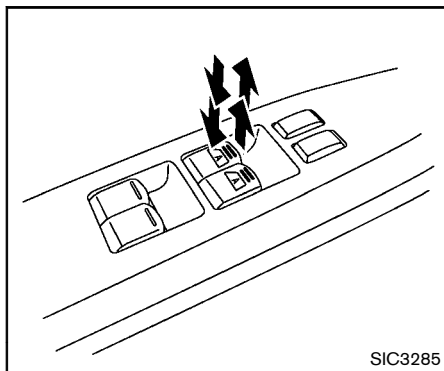
### Locking passengers' windows

When the lock button (C) is pushed in, only the driver side window can be opened or closed. Push it in again to cancel.

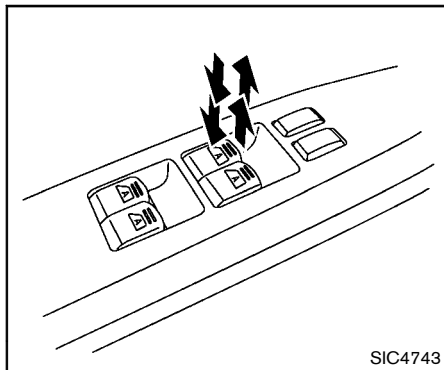


### Passenger side power window switch

The passenger side switch will open or close only the corresponding window. To open or close the window, push down or pull up the switch and hold it.



Hardtop models



CrossCabriolet models

### Automatic operation

The automatic function is available for the switch that has an **A** mark on its surface.

To fully open or close the window, completely push down or pull up the switch and release it; it need not be held. The window will automatically open or close all the way. To stop the window, just push or lift the switch in the opposite direction.

A light push or pull on the switch will cause the window to open or close until the switch is released.

The rear window automatic operation is for the opening function only (CrossCabriolet models).

### Simultaneous operation of all four windows (CrossCabriolet models)



### WARNING

**Make sure that all passengers have their hands, etc. inside the vehicle before closing the windows.**

When the driver's and passenger's door window switches (driver's side) are pushed down or pulled up simultaneously, all four windows are opened or closed.

### Auto reverse function



### WARNING

**There are some small distances immediately before the closed position which cannot be detected. Make sure that all passengers have their hands, etc., inside the vehicle before closing the window.**

If the control unit detects something caught in the window as it is closing, the window will be immediately lowered.

The auto reverse function can be activated when the window is closed by automatic operation when the ignition switch is in the ON position or for 45 seconds after the ignition switch is pushed to the OFF position.

**Depending on the environment or driving conditions, the auto reverse function may be activated if an impact or load similar to something being caught in the window occurs.**

### Automatic window lowering (CrossCabriolet models)

When the soft top operating switch is pressed, the power windows will automatically be lowered completely. The windows do not rise automatically after the soft top open/close operation is completed. Use the power window switches to raise them.

### Automatic adjusting function (CrossCabriolet models)

#### CAUTION

**When the battery cable is removed from the battery terminal, do not close either of the front doors. The automatic window adjusting function will not work and the side roof panel may be damaged.**

The power window has an automatic adjusting function. When the door is being opened, the window is automatically lowered slightly to avoid contact between the window and the top side rail. When the door is closed, the window is automatically raised slightly.

While the automatic adjusting function does not work, the window will be controlled as follows:

#### 2-58 Instruments and controls

- When the door is opened, the window lowers for approximately 0.39 in (10 mm).
- While the door is open, the window cannot be raised.

If the windows do not close automatically

If the power window automatic function (closing only) does not operate properly, perform the following procedure to initialize the power window system.

1. Push the ignition switch to the ON position.
2. Close the door and soft top (CrossCabriolet models).
3. Open the window completely by operating the power window switch.
4. Pull the power window switch and hold it to close the window, and then hold the switch more than 3 seconds after the window is closed completely.
5. Release the power window switch. Operate the window by the automatic function to confirm the initialization is complete.
6. Perform steps 2 through 5 above for other windows.

If the power window automatic function does not operate properly after performing the procedure above, have your vehicle checked by a NISSAN dealer.

### MOONROOF (if so equipped for Hardtop models)

#### WARNING

- **In an accident you could be thrown from the vehicle through an open moonroof. Always use seat belts and child restraints.**
- **Do not allow anyone to stand up or extend any portion of their body out of the moonroof opening while the vehicle is in motion or while the moonroof is closing.**

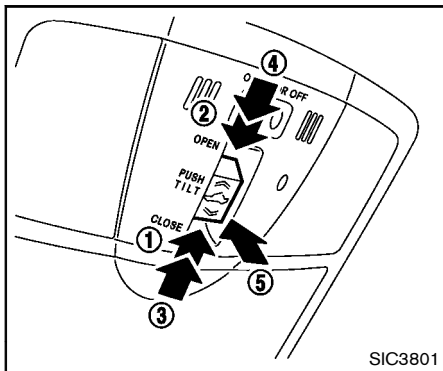
#### CAUTION

- **Remove water drops, snow, ice or sand from the moonroof before opening.**
- **Do not place any heavy object on the moonroof or surrounding area.**
- **Do not push or pull on the sunshade. Doing so can damage the sunshade.**

## AUTOMATIC MOONROOF AND SUNSHADES

The moonroof and sunshades only operates when the ignition switch is in the ON position.

The automatic moonroof and sunshades are operational for about 45 seconds, even if the ignition switch is pushed to the OFF position. If the driver's door or the passenger's door is opened during this period of about 45 seconds, power to the moonroof and sunshades is canceled.



### Sliding sunshade and moonroof

When the moonroof switch is pushed to the OPEN position ①, the front and rear sunshades will fully open. When the switch is pushed again, the moonroof will fully open.

When the moonroof switch is pushed to the CLOSE position ②, the moonroof will automatically close. Push the switch again, and the front and rear sunshades will close.

When the moonroof switch is pushed to the second detent to the OPEN ③ or CLOSE ④ position, both the sunshade and moonroof will open or close.

To stop the sunshades or moonroof during the

operation, push the moonroof switch to either of the OPEN ①, CLOSE ② or UP ⑤ position.

### Tilting moonroof

To tilt up the moonroof, push the moonroof switch to the UP position ⑤.

To tilt down the moonroof, push the switch to the UP position ⑤ or push the switch to the CLOSE position ②.

When the moonroof is tilted up, push the moonroof switch to the second detent to the CLOSE position ④. The moonroof will tilt down and the sunshades will close.

### Auto reverse function



**There are some small distances immediately before the closed position which cannot be detected. Make sure that all passengers have their hands, etc., inside the vehicle before closing the moonroof.**

If the control unit detects something caught in the moonroof and sunshades when they are closing, the moonroof will be immediately opened.

The auto reverse function can be activated when the moonroof and sunshades are closed by automatic operation when the ignition switch is in the ON position or for about 45 seconds after the ignition switch is pushed to the OFF position.

If the moonroof and sunshades cannot be closed automatically when the auto reverse function activates due to a malfunction, push and hold the switch to the CLOSE position ②.

**Depending on the environment or driving conditions, the auto reverse function may be activated if an impact or load similar to something being caught in the moonroof occurs.**

If the moonroof does not operate

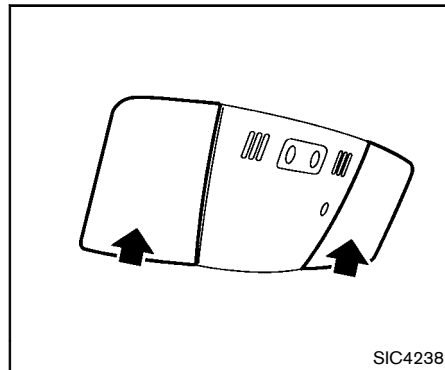
If the moonroof does not operate properly, perform the following procedure to initialize the moonroof operation system.

1. If the moonroof is open, close it fully by pushing the switch to the CLOSE position ②.
2. Push and hold the switch to the CLOSE position ②.
3. Release the moonroof switch after the moonroof or sunshade moves slightly to the closed position.

4. Push and hold the switch to the CLOSE position ② for 10 seconds.
5. The moonroof and sunshades will fully open and then close.
6. Check if the moonroof switch operates normally.

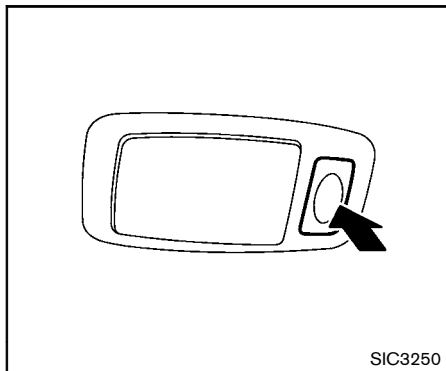
If the moonroof does not operate properly after performing the procedure above, have your vehicle checked by a NISSAN dealer.

## INTERIOR LIGHTS



### MAP LIGHTS

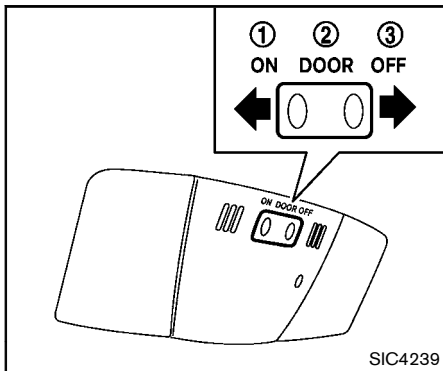
Push the button as illustrated to turn the light on or off.



## PERSONAL LIGHTS (Hardtop models)

Rear

Push the button as illustrated to turn the light on or off.



## INTERIOR LIGHT CONTROL SWITCH

The interior light control switch has three positions: ON, DOOR and OFF.

### ON position

When the switch is in the ON position ① the map lights and rear personal lights will illuminate.

### DOOR position

When the switch is in the DOOR position ②, the map lights and rear personal lights will illuminate under the following conditions:

- ignition switch is switched to the LOCK position

- remain on for about 15 seconds.
- doors are unlocked by pushing the UN-LOCK button on the Intelligent Key or door handle request switch with the ignition switch in the LOCK position
  - remain on for about 15 seconds.
- any door is opened and then closed with the ignition switch in the LOCK position
  - remain on for about 15 seconds.
- any door is opened with the ignition switch in the ACC or ON position
  - remain on while the door is opened. When the door is closed, the lights go off.

**The lights will also turn off after a period of time when the lights remain illuminated after the ignition switch has been pushed to the OFF or LOCK position to prevent the battery from becoming discharged.**

Models with color display:

When the auto interior illumination is set to the OFF position (see “Vehicle information and settings” in the “4. Monitor, heater, air conditioner, audio, phone and voice recognition systems” section), the lights will illuminate under the following condition:

- any door is opened with the ignition switch in any position

— remain on while the door is opened.  
When the door is closed, the lights go off.

#### OFF position

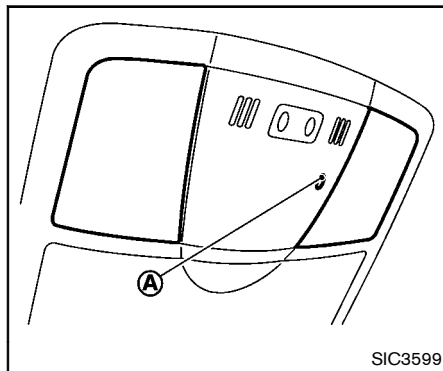
When the switch is in the OFF position ③, the lights will not illuminate, regardless of the condition.



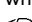

### CAUTION

**Do not use for extended periods of time with the engine stopped. This could result in a discharged battery.**

## MOOD LIGHTS (Hardtop models)



Map lights

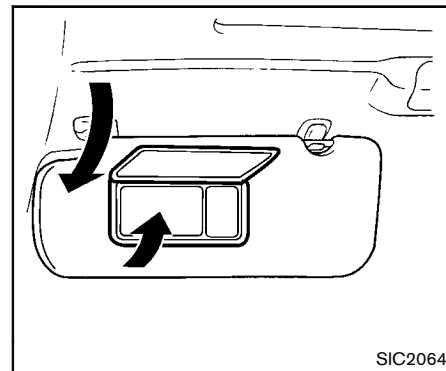
The mood lights (A) located in the following positions will illuminate whenever the headlight switch is in the  or  position.

- next to the map lights
- under the instrument panel
- under the driver's power window switch

The brightness of the mood lights can be adjusted with the illumination control buttons.

See "Instrument brightness control" earlier in this section.

## VANITY MIRROR LIGHTS

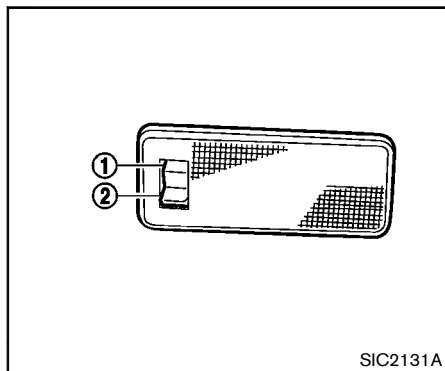


The light on the vanity mirror will turn on when the cover on the vanity mirror is opened.

When the cover is closed, the light will turn off.

**The lights will turn off after a period of time when the lights remain illuminated to prevent the battery from becoming discharged.**

## CARGO LIGHTS (Hardtop models)



When the switch is in the ON position ①, the light illuminates while the lift gate is opened. When the lift gate is closed, the light will turn off.

When the switch is in the OFF position ②, the light will turn off.

**The lights will turn off after a period of time when the light remain illuminated to prevent the battery from becoming discharged.**

## TRUNK LIGHT (CrossCabriolet models)

The light illuminates when the trunk lid is opened. When the trunk lid is closed, the light will turn off.

**The light will also turn off after a period of time when the light remains illuminated after the ignition switch has been pushed to the OFF or LOCK position to prevent the battery from becoming discharged.**

## HomeLink<sup>®</sup> UNIVERSAL TRANSCEIVER (if so equipped)

The HomeLink<sup>®</sup> Universal Transceiver provides a convenient way to consolidate the functions of up to three individual hand-held transmitters into one built-in device.

HomeLink<sup>®</sup> Universal Transceiver:

- Will operate most Radio Frequency (RF) devices such as garage doors, gates, home and office lighting, entry door locks and security systems.
- Is powered by your vehicle's battery. No separate batteries are required. If the vehicle's battery is discharged or is disconnected, HomeLink<sup>®</sup> will retain all programming.

**When the HomeLink<sup>®</sup> Universal Transceiver is programmed, retain the original transmitter for future programming procedures (Example: new vehicle purchases). Upon sale of the vehicle, the programmed HomeLink<sup>®</sup> Universal Transceiver buttons should be erased for security purposes. For additional information, refer to "Programming HomeLink<sup>®</sup>" later in this section.**



## WARNING

- Do not use the HomeLink® Universal Transceiver with any garage door opener that lacks safety stop and reverse features as required by federal safety standards. (These standards became effective for opener models manufactured after April 1, 1982). A garage door opener which cannot detect an object in the path of a closing garage door and then automatically stop and reverse, does not meet current federal safety standards. Using a garage door opener without these features increases the risk of serious injury or death.
- During the programming procedure your garage door or security gate will open and close (if the transmitter is within range). Make sure that people or objects are clear of the garage door, gate, etc. that you are programming.
- Your vehicle's engine should be turned off while programming the HomeLink® Universal Transceiver. Do not breathe exhaust gases; they

contain colorless and odorless carbon monoxide. Carbon monoxide is dangerous. It can cause unconsciousness or death.

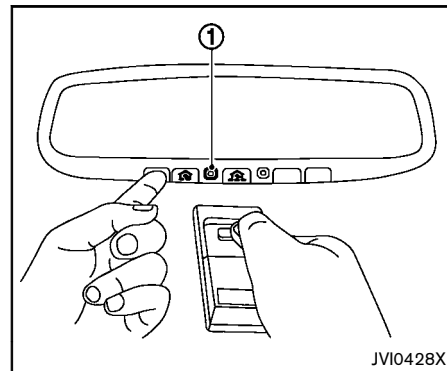
### PROGRAMMING HomeLink®

If you have any questions or are having difficulty programming your HomeLink® buttons, refer to the HomeLink® web site at: [www.homelink.com](http://www.homelink.com) or call 1-800-355-3515.

#### NOTE:

**It is also recommended that a new battery be placed in the hand-held transmitter of the device being programmed to HomeLink® for quicker programming and accurate transmission of the radio-frequency.**

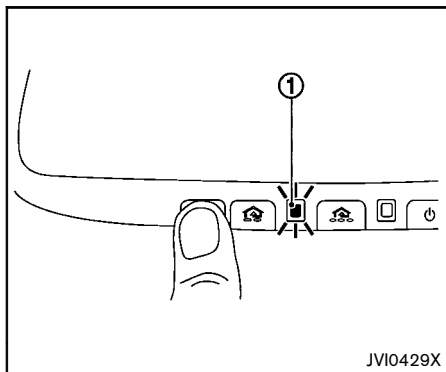
1. Position the end of your hand-held transmitter 1-3 in (26-76 mm) away from the HomeLink® surface, keeping the HomeLink® indicator light ① in view.



2. Using both hands, simultaneously press and hold the desired HomeLink® button and handheld transmitter button. DO NOT release until the HomeLink® indicator light ① flashes slowly and then rapidly. When the indicator light flashes rapidly, both buttons may be released. (The rapid flashing indicates successful programming.)

#### NOTE:

**Some devices to be programmed may require you to replace Step 2 with the cycling procedure noted in the “Programming HomeLink® for Canadian customers and gate openers” later in this section.**



3. Press and hold the programmed HomeLink<sup>®</sup> button and observe the indicator light.
  - If the indicator light ① is solid/continuous, programming is complete and your device should activate when the HomeLink<sup>®</sup> button is pressed and released.
  - If the indicator light ① blinks rapidly for two seconds and then turns to a solid/continuous light, continue with Steps 4-6 for a rolling code device. A second person may make the following steps easier. Use a ladder or other device. Do not stand on your vehicle to perform the next steps.

4. At the receiver located on the garage door opener motor in the garage, locate the “learn” or “smart” button (the name and color of the button may vary by manufacturer but it is usually located near where the hanging antenna wire is attached to the unit). If there is difficulty locating the button, reference the garage door opener’s manual.

5. Press and release the “learn” or “smart” button.

**NOTE:**

**Once the button is pressed, you have approximately 30 seconds to initiate the next step.**

6. Return to the vehicle and firmly press and hold the programmed HomeLink<sup>®</sup> button for two seconds and release. Repeat the “press/hold/release” sequence up to 3 times to complete the programming process. HomeLink<sup>®</sup> should now activate your rolling code equipped device.
7. If you have any questions or are having difficulty programming your HomeLink<sup>®</sup> buttons, refer to the HomeLink<sup>®</sup> web site at: [www.homelink.com](http://www.homelink.com) or call 1-800-355-3515.

## PROGRAMMING HomeLink<sup>®</sup> FOR CANADIAN CUSTOMERS AND GATE OPENERS

Canadian radio-frequency laws require transmitter signals to “time-out” (or quit) after several seconds of transmission – which may not be long enough for HomeLink<sup>®</sup> to pick up the signal during programming. Similar to this Canadian law, some U.S. gate operators are designed to “time-out” in the same manner.

If you live in Canada or you are having difficulties programming a gate operator or garage door opener by using the “Programming HomeLink<sup>®</sup>” procedures, replace “Programming HomeLink<sup>®</sup>” Step 2 with the following:

**NOTE:**

**When programming a garage door opener, etc., unplug the device during the “cycling” process to prevent possible damage to the garage door opener components.**

Step 2: Using both hands, simultaneously press and hold the desired HomeLink<sup>®</sup> button and the hand-held transmitter button. During programming, your hand-held transmitter may automatically stop transmitting. Continue to press and hold the desired HomeLink<sup>®</sup> button while you press and re-press (“cycle”) your hand-held transmitter every two seconds until the frequency signal has been learned. The HomeLink<sup>®</sup>

indicator light will flash slowly and then rapidly after several seconds upon successful programming. **DO NOT** release until the HomeLink® indicator light flashes slowly and then rapidly. When the indicator light flashes rapidly, both buttons may be released. The rapid flashing indicates successful programming.

Proceed with “Programming HomeLink®” step 3 to complete.

Remember to plug the device back in when programming is completed.

## OPERATING THE HomeLink® UNIVERSAL TRANSCEIVER

The HomeLink® Universal Transceiver, after it is programmed, can be used to activate the programmed device. To operate, simply press and release the appropriate programmed HomeLink® Universal Transceiver button. The amber indicator light will illuminate while the signal is being transmitted.

For convenience, the hand-held transmitter of the device may also be used at any time.

## PROGRAMMING TROUBLESHOOTING

If the HomeLink® does not quickly learn the hand-held transmitter information:

- replace the hand-held transmitter batteries with new batteries.
- position the hand-held transmitter with its battery area facing away from the HomeLink® surface.
- press and hold both the HomeLink® and hand-held transmitter buttons without interruption.
- position the hand-held transmitter 1-3 in (26-76 mm) away from the HomeLink® surface. Hold the transmitter in that position for up to 15 seconds. If HomeLink® is not programmed within that time, try holding the transmitter in another position - keeping the indicator light in view at all times.

If you have any questions or are having difficulty programming your HomeLink® buttons, refer to the HomeLink® web site at: [www.homelink.com](http://www.homelink.com) or 1-800-355-3515.

## CLEARING THE PROGRAMMED INFORMATION

The following procedure clears the programmed information from both buttons. Individual buttons cannot be cleared. However, individual buttons can be reprogrammed, see “Reprogramming a single HomeLink® button” later in this section.

### To clear all programming

1. Press and hold the two outer HomeLink® buttons until the indicator light begins to flash in approximately 10 seconds. Do not hold for longer than 20 seconds.
2. Release both buttons.

HomeLink® is now in the programming mode and can be programmed at any time beginning with “Programming HomeLink®” - Step 1.

## REPROGRAMMING A SINGLE HomeLink® BUTTON

To reprogram a HomeLink® Universal Transceiver button, complete the following.

1. Press and hold the desired HomeLink® button. **DO NOT** release the button.
2. The indicator light will begin to flash after 20 seconds. Without releasing the HomeLink® button, proceed with “Programming HomeLink®” - Step 1.

For questions or comments, contact HomeLink®

at: [www.homelink.com](http://www.homelink.com) or 1-800-355-3515.

The HomeLink® Universal Transceiver button has now been reprogrammed. The new device can be activated by pushing the HomeLink® button that was just programmed. This procedure will not affect any other programmed HomeLink® buttons.

#### **IF YOUR VEHICLE IS STOLEN**

If your vehicle is stolen, you should change the codes of any non-rolling code device that has been programmed into HomeLink®. Consult the Owner's Manual of each device or call the manufacturer or retailer of those devices for additional information.

**When your vehicle is recovered, you will need to reprogram the HomeLink® Universal Transceiver with your new transmitter information.**

#### **FCC Notice:**

##### **For USA:**

**This device complies with Part 15 of the FCC Rules. Operation is subject to the following two conditions: (1) This device may not cause harmful interference, and (2) this device must accept any interference received, including interference that may cause undesired operation.**

#### **NOTE:**

**Changes or modifications not expressly approved by the party responsible for compliance could void the user's authority to operate the equipment.**

##### **For Canada:**

**This device complies with RSS-210 of Industry Canada. Operation is subject to the following two conditions: (1) this device may not cause interference, and (2) this device must accept any interference, including interference that may cause undesired operation of the device.**

**MEMO**

# 3 Pre-driving checks and adjustments

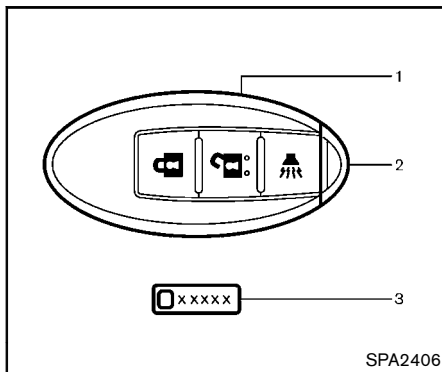
|  |      |  |      |
|--|------|--|------|
| Keys .....   | 3-3  | Auto closure .....                                   | 3-24 |
| Intelligent Key system .....                                 | 3-3  | Lift gate release .....                              | 3-25 |
| Mechanical key .....   | 3-4  | Trunk lid (CrossCabriolet models) .....              | 3-25 |
| Valet hand-off .....   | 3-5  | Trunk lid release switch .....                       | 3-25 |
| Doors .....  | 3-5  | Trunk open request switch .....                      | 3-26 |
| Locking with mechanical key .....                            | 3-5  | Trunk button .....                                   | 3-26 |
| Opening and closing windows with the<br>mechanical key ..... | 3-6  | Opening with key .....                               | 3-26 |
| Locking with inside lock knob .....                          | 3-6  | Trunk release power cancel switch .....              | 3-26 |
| Locking with power door lock switch .....                    | 3-7  | Interior trunk lid release .....                     | 3-27 |
| Automatic door locks .....                                   | 3-7  | Soft top (CrossCabriolet models) .....               | 3-28 |
| Child safety rear door lock (Hardtop models) .....           | 3-8  | Before operating the top .....                       | 3-28 |
| Intelligent Key system .....                                 | 3-8  | When operating the top .....                         | 3-32 |
| Intelligent Key operating range .....                        | 3-10 | Luggage cover .....                                  | 3-33 |
| Door locks/unlocks precaution .....                          | 3-10 | Soft top indicator light .....                       | 3-33 |
| Intelligent Key operation .....                              | 3-11 | Automatic window lowering .....                      | 3-34 |
| Battery saver system .....                                   | 3-14 | Opening the top .....                                | 3-34 |
| Warning signals .....  | 3-14 | Closing the top .....                                | 3-35 |
| Troubleshooting guide .....                                  | 3-15 | Opening the top using the Intelligent Key .....      | 3-35 |
| Remote keyless entry system .....                            | 3-16 | Troubleshooting guide .....                          | 3-37 |
| How to use remote keyless entry system .....                 | 3-17 | If the top does not open or close electrically ..... | 3-38 |
| Hood .....   | 3-20 | Care of the soft top and the vehicle body .....      | 3-43 |
| Lift gate (Hardtop models) .....                             | 3-20 | Fuel-filler door .....                               | 3-44 |
| Operating manual lift gate .....                             | 3-21 | Opening fuel-filler door .....                       | 3-44 |
| Operating power lift gate (if so equipped) .....             | 3-21 | Fuel-filler cap .....                                | 3-44 |

|                                |      |   |      |
|--------------------------------|------|---|------|
| Tilt/telescopic steering ..... | 3-46 | Mirrors .....                                     | 3-48 |
| Manual operation .....         | 3-46 | Inside mirror .....                               | 3-48 |
| Electric operation .....       | 3-47 | Outside mirrors .....                             | 3-49 |
| Sun visors .....               | 3-47 | Vanity mirror .....                               | 3-51 |
| Hardtop models .....           | 3-47 | Automatic drive positioner (if so equipped) ..... | 3-51 |
| CrossCabriolet models .....    | 3-48 | Entry/exit function (for Hardtop models) .....    | 3-51 |
|                                |      | Memory storage .....                              | 3-52 |
|                                |      | System operation .....                            | 3-53 |

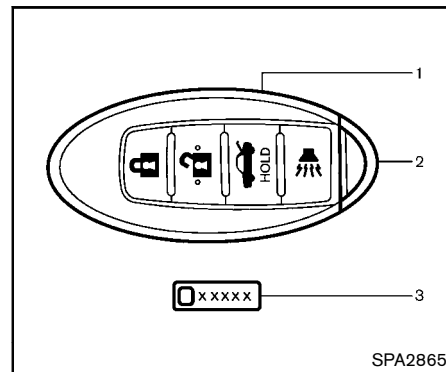
## KEYS

A key number plate is supplied with your keys. Record the key number and keep it in a safe place (such as your wallet), not in the vehicle. If you lose your keys, see a NISSAN dealer for duplicates by using the key number. NISSAN does not record any key numbers so it is very important to keep track of your key number plate.

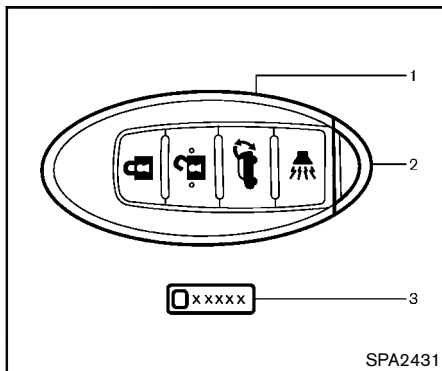
A key number is only necessary when you have lost all keys and do not have one to duplicate from. If you still have a key, this key can be duplicated by a NISSAN dealer.



Type A



Type C



Type B

1. Intelligent Key (2)
2. Mechanical key (inside the key) (2)
3. Key number plate (1)

## INTELLIGENT KEY SYSTEM

Your vehicle can only be driven with the Intelligent Keys which are registered to your vehicle's Intelligent Key system components and NISSAN Vehicle Immobilizer System components. As many as 4 Intelligent Keys can be registered and used with one vehicle. The new keys must be registered by a NISSAN dealer prior to use with the Intelligent Key system and NISSAN Vehicle Immobilizer System of your vehicle. Since the registration process requires erasing all memory in the Intelligent Key compo-

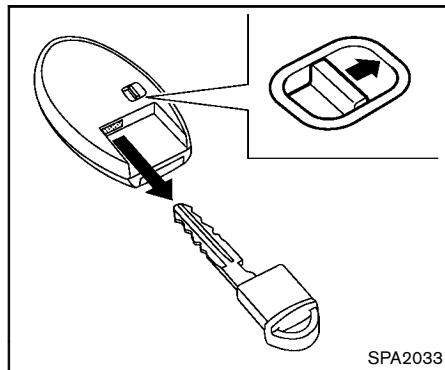


nents when registering new keys, be sure to take all Intelligent Keys that you have to the NISSAN dealer.

## CAUTION

- **Be sure to carry the Intelligent Key with you when driving. The Intelligent Key is a precision device with a built-in transmitter. To avoid damaging it, please note the following.**
  - The Intelligent Key is water resistant; however, wetting may damage the Intelligent Key. If the Intelligent Key gets wet, immediately wipe until it is completely dry.
  - Do not bend, drop or strike it against another object.
  - If the outside temperature is below 14°F (-10°C), the battery of the Intelligent Key may not function properly.
  - Do not place the Intelligent Key for an extended period in a place where temperatures exceed 140°F (60°C).

- **Do not change or modify the Intelligent Key.**
  - **Do not use a magnet key holder.**
  - **Do not place the Intelligent Key near an electric appliance such as a television set, personal computer or cellular phone.**
  - **Do not allow the Intelligent Key to come into contact with water or salt water, and do not wash it in a washing machine. This could affect the system function.**
- **If an Intelligent Key is lost or stolen, NISSAN recommends erasing the ID code of that Intelligent Key. This will prevent the Intelligent Key from unauthorized use to unlock the vehicle. For information regarding the erasing procedure, please contact a NISSAN dealer.**



## MECHANICAL KEY

To remove the mechanical key, release the lock knob at the back of the key.

To install the mechanical key, firmly insert it into the key until the lock knob returns to the lock position.

Use the mechanical key to lock or unlock the doors and glove box, if they are equipped with a key cylinder.

See "Doors" later in this section and "Storage" in the "2. Instruments and controls" section.

## CAUTION

**Always carry the mechanical key installed in the key.**

### VALET HAND-OFF

When you have to leave a key with a valet, give them the Intelligent Key itself after removing the mechanical key to protect your belongings.

To prevent the glove box or the trunk (CrossCabriolet models) from being opened during valet hand-off, follow the procedures below.

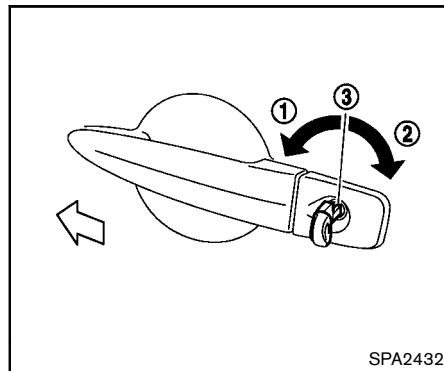
1. Push the trunk release power cancel switch to the OFF side (CrossCabriolet models).
2. Remove the mechanical key from the Intelligent Key.
3. Lock the glove box with the mechanical key.
4. Hand the Intelligent Key to the valet, keeping the mechanical key in your pocket or bag. Insert the mechanical key into the Intelligent Key when you retrieve your vehicle.

See glove box and “Storage” in the “2. Instruments and controls” section and “Trunk lid (CrossCabriolet models)” later in this section.

## DOORS

## WARNING

- **Always have the doors locked while driving. Along with the use of seat belts, this provides greater safety in the event of an accident by helping to prevent persons from being thrown from the vehicle. This also helps keep children and others from unintentionally opening the doors, and will help keep out intruders.**
- **Before opening any door, always look for and avoid oncoming traffic.**
- **Do not leave children unattended inside the vehicle. They could unknowingly activate switches or controls. Unattended children could become involved in serious accidents.**



SPA2432

### LOCKING WITH MECHANICAL KEY

The power door lock system allows you to lock or unlock all doors simultaneously using the mechanical key.

#### Hardtop models

- Turning the driver's door key cylinder to the front of the vehicle ① will lock all doors.
- Turning the driver's door key cylinder once to the rear of the vehicle ② will unlock the driver's door. After returning the key to the neutral position ③, turning it to the rear again within 5 seconds will unlock all doors.

### Crosscabriolet models

- Turning the driver's door key cylinder to the rear of the vehicle ② will lock all doors.
- Turning the driver's door key cylinder to the front of the vehicle ① will unlock the driver's door. After returning the key to the neutral position ③, turning it to the front again within 5 seconds will unlock all doors.

#### Models with color display:

You can switch the lock system to the mode that allows you to open all the doors when the key is turned once. (See "How to use SETTING button" in the "4. Monitor, heater, air conditioner, audio, phone and voice recognition systems" section.)

### OPENING AND CLOSING WINDOWS WITH THE MECHANICAL KEY

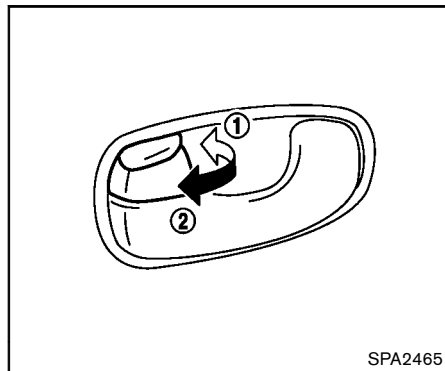
The driver's door key operation also allows you to open and close the window that is equipped with the automatic open/close function. (See "Power windows" in the "2. Instruments and controls" section).

To open the windows, turn the driver's door key cylinder to unlock for **longer than 1 second**. The door is unlocked and the window keeps opening while turning the key.

This function can also be performed by pushing and holding the door UNLOCK button of the

key. (See "Remote keyless entry system" later in this section.)

To close the windows, turn the driver's door key cylinder to lock for **longer than 1 second**. The door is locked and the window keeps closing while turning the key.



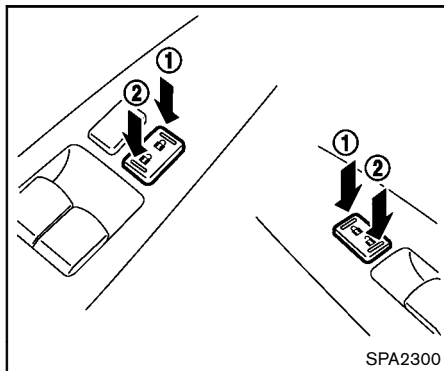
SPA2465

### LOCKING WITH INSIDE LOCK KNOB

To lock the door individually, move the inside lock knob to the lock position ① then close the door.

To unlock, move the inside lock knob to the unlock position ②.

**When locking the door without Intelligent Key, be sure not to leave the Intelligent Key inside the vehicle.**



## LOCKING WITH POWER DOOR LOCK SWITCH

Operating the power door lock switch will lock or unlock all the doors. The switches are located on the driver's and front passenger's door armrests.

To lock the doors, push the power door lock switch to the lock position ① with the driver's or front passenger's door open, then close the door.

**When locking the door this way, be certain not to leave the Intelligent Key inside the vehicle.**

To unlock the doors, push the power door lock

switch to the unlock position ②.

## Lockout protection

When the power door lock switch (driver or front passenger) is moved to the lock position with the Intelligent Key in the port and any door open, all doors will lock and unlock automatically. With the Intelligent Key left in the vehicle (not in the Intelligent Key port) and any door open, all doors will unlock automatically and a chime will sound after the door is closed.


These functions help to prevent the Intelligent Key from being accidentally locked inside the vehicle.

## AUTOMATIC DOOR LOCKS

- All doors will be locked automatically when the vehicle speed reaches 15 MPH (24 km/h).
- All doors will be unlocked automatically when the ignition switch is placed in the OFF position.

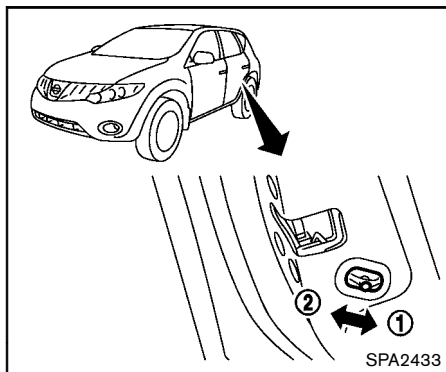
**The automatic unlock function can be deactivated or activated.** To deactivate or activate the automatic door unlock system, perform the following procedure:

1. Close all doors.
2. Place the ignition switch in the ON position.

3. Within 20 seconds of performing Step 2, push and hold the power door lock switch to the  position (UNLOCK) for more than 5 seconds.
4. When activated, the hazard indicator will flash twice. When deactivated, the hazard indicator will flash once.
5. The ignition switch must be placed in the OFF and ON position again between each setting change.

When the automatic door unlock system is deactivated, the doors do not unlock when the ignition switch is placed in the OFF position. To unlock the door manually, use the inside lock knob or the power door lock switch (driver's or front passenger's side).

## INTELLIGENT KEY SYSTEM



### CHILD SAFETY REAR DOOR LOCK (Hardtop models)

The child safety rear door locks help prevent doors from being opened accidentally, especially when small children are in the vehicle.

**When the levers are in the lock position ①, the rear doors can be opened only from the outside.**

To disengage, move the levers to the unlock position ②.

### WARNING

- Radio waves could adversely affect electric medical equipment. Those who use a pacemaker should contact the electric medical equipment manufacturer for the possible influences before use.
- The Intelligent Key transmits radio waves when the buttons are pushed. The FAA advises that radio waves may affect aircraft navigation and communication systems. **Do not operate the Intelligent Key while on an airplane. Make sure the buttons are not operated unintentionally when the unit is stored for a flight.**

The Intelligent Key system can operate all the door (including the lift gate) and the trunk lid locks using the remote keyless function or pushing the request switch on the vehicle without taking the key out from a pocket or purse. The operating environment and/or conditions may affect the Intelligent Key system operation.

Be sure to read the following before using the Intelligent Key system.

### CAUTION

- Be sure to carry the Intelligent Key with you when operating the vehicle.
- Never leave the Intelligent Key in the vehicle when you leave the vehicle.

The Intelligent Key is always communicating with the vehicle as it receives radio waves. The Intelligent Key system transmits weak radio waves. Environmental conditions may interfere with the operation of the Intelligent Key system under the following operating conditions.

- When operating near a location where strong radio waves are transmitted, such as a TV tower, power station and broadcasting station.
- When in possession of wireless equipment, such as a cellular telephone, transceiver, and CB radio.
- When the Intelligent Key is in contact with or covered by metallic materials.
- When any type of radio wave remote control is used nearby.
- When the Intelligent Key is placed near an electric appliance such as a personal

computer.

- When the vehicle is parked near a parking meter.

In such cases, correct the operating conditions before using the Intelligent Key function or use the mechanical key.

Although the life of the battery varies depending on the operating conditions, the battery's life is approximately 2 years. If the battery is discharged, replace it with a new one.

When the Intelligent Key battery is almost discharged, insert the Intelligent Key into the Intelligent Key port to start the engine. Replace the discharged battery with a new one as soon as possible. For more details, see "Push-button ignition switch" in the "5. Starting and driving" section.

Since the Intelligent Key is continuously receiving radio waves, if the key is left near equipment which transmits strong radio waves, such as signals from a TV and personal computer, the battery life may become shorter.

For information regarding replacement of a battery, see "Intelligent Key battery replacement" in the "8. Maintenance and do-it-yourself" section.

As many as 4 Intelligent Keys can be registered and used with one vehicle. For information about the purchase and use of additional Intelligent

Keys, contact a NISSAN dealer.



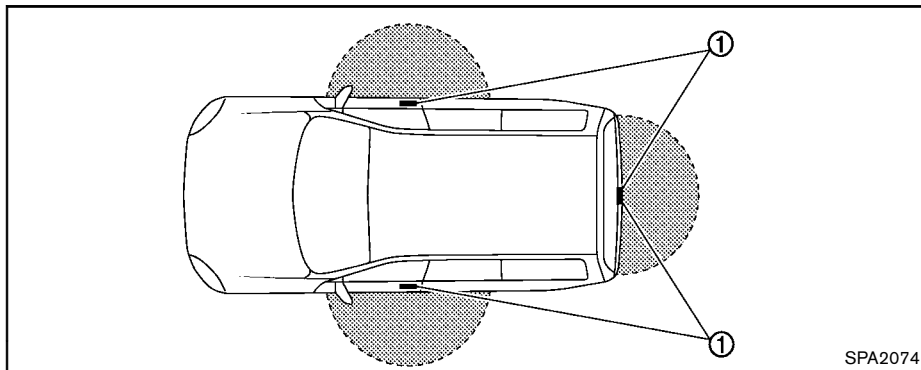
## CAUTION

- **Do not allow the Intelligent Key, which contains electrical components, to come into contact with water or salt water. This could affect the system function.**
- **Do not drop the Intelligent Key.**
- **Do not strike the Intelligent Key sharply against another object.**
- **Do not change or modify the Intelligent Key.**
- **Wetting may damage the Intelligent Key. If the Intelligent Key gets wet, immediately wipe until it is completely dry.**
- **If the outside temperature is below 14°F (-10°C), the battery of the Intelligent Key may not function properly.**
- **Do not place the Intelligent Key for an extended period in an area where temperatures exceed 140°F (60°C).**
- **Do not attach the Intelligent Key with a key holder that contains a magnet.**

- **Do not place the Intelligent Key near equipment that produces a magnetic field, such as a TV, audio equipment, personal computer or cellular phone.**

If an Intelligent Key is lost or stolen, NISSAN recommends erasing the ID code of that Intelligent Key from the vehicle. This may prevent the unauthorized use of the Intelligent Key to operate the vehicle. For information regarding the erasing procedure, contact a NISSAN dealer.

The Intelligent Key function can be disabled. For information about disabling the Intelligent Key function, contact a NISSAN dealer.



### INTELLIGENT KEY OPERATING RANGE

The Intelligent Key functions can only be used when the Intelligent Key is within the specified operating range from the request switch ①.

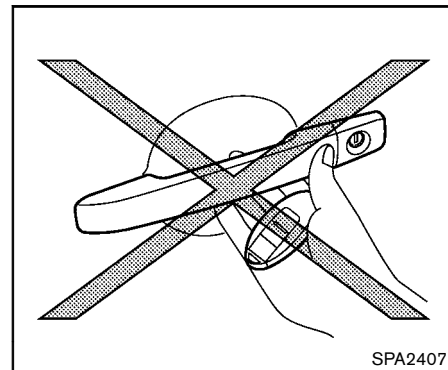
When the Intelligent Key battery is discharged or strong radio waves are present near the operating location, the Intelligent Key system's operating range becomes narrower, and the Intelligent Key may not function properly.

The operating range is within 31.50 in (80 cm) from each request switch ①.

If the Intelligent Key is too close to the door glass, handle or rear bumper the request

switches may not function.

When the Intelligent Key is within the operating range, it is possible for anyone who does not carry the Intelligent Key to push the request switch to lock/unlock the doors including the lift gate and open the trunk lid.

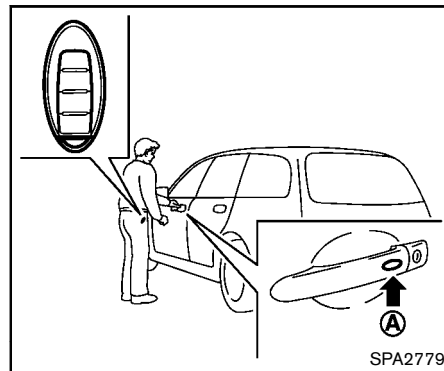
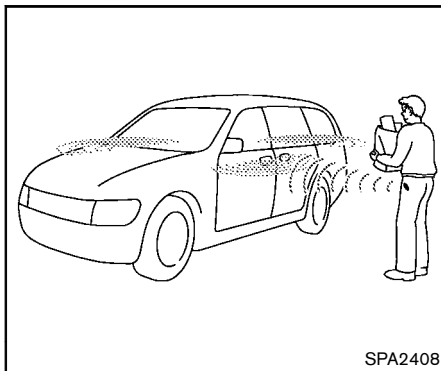


### DOOR LOCKS/UNLOCKS PRECAUTION

- Do not push the door handle request switch with the Intelligent Key held in your hand as illustrated. The close distance to the door handle will cause the Intelligent Key system to have difficulty recognizing that the Intelligent Key is outside the vehicle.
- After locking with the door handle request switch, verify the doors are securely locked by testing them.
- When locking the doors using the door handle request switch, make sure to have the Intelligent Key in your possession before operating the door handle request switch to

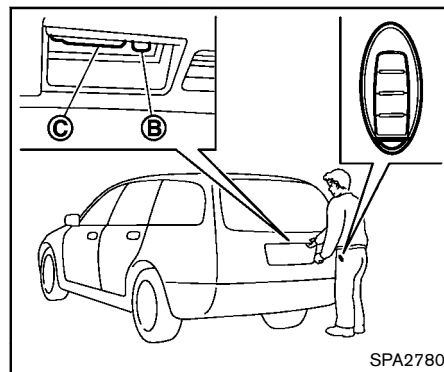
prevent the Intelligent Key from being left in the vehicle.

- The door handle request switch is operational only when the Intelligent Key has been detected by the Intelligent Key system.
- To prevent the Intelligent Key from being left inside the vehicle or the trunk, make sure you carry the key with you and then lock the doors or the trunk.
- Do not pull the door handle before pushing the door handle request switch. The door will be unlocked but will not open. Release the door handle once and pull it again to open the door.
- The Intelligent Key system (opening/closing doors with the door handle request switch) can be set to remain inactive on the center display (if so equipped). (See "Vehicle information and settings" in the "4. Monitor, heater, air conditioner, audio, phone and voice recognition systems" section.)



### INTELLIGENT KEY OPERATION

You can lock or unlock the doors without taking the key out from your pocket or bag.



Hardtop models



When you carry the Intelligent Key with you, you can lock or unlock all doors by pushing the door handle request switch **(A)** (driver's or front passenger's) or the lift gate request switch **(B)** within the range of operation.

When you lock or unlock the doors or the lift gate/trunk lid, the hazard indicator will flash and the horn (or the outside chime) will sound as a confirmation. For details, see "Setting hazard indicator and horn mode" later in this section.

### Locking doors

1. Move the shift lever to the P (Park) position, push the ignition switch to the OFF position and make sure you carry the Intelligent Key with you.\*1
2. Close all the doors and the lift gate.\*2
3. Push the door handle request switch **(A)** or lift gate request switch **(B)** while carrying the Intelligent Key with you.\*3
4. All the doors and the lift gate will lock.
5. The hazard indicator flashes twice and the outside chime sounds twice.

\*1: Doors will lock with the Intelligent Key while the ignition switch is in the ACC or ON position.

\*2: Doors will not lock by pushing the door handle request switch while any door (including the lift gate) is open.

\*3: Doors will not lock by pushing the door handle

## 3-12 Pre-driving checks and adjustments

request switch with the Intelligent Key inside the vehicle.

However, when an Intelligent Key is inside the vehicle, doors can be locked with another registered Intelligent Key.



### CAUTION

- **After locking the doors using the request switch, make sure that the doors have been securely locked by operating the door handles.**
- **When locking the doors using the request switch, make sure to have the Intelligent Key in your possession before operating the request switch to prevent the Intelligent Key from being left in the vehicle.**
- **The request switch is operational only when the Intelligent Key has been detected by the Intelligent Key system.**

### Lockout protection:

To prevent the Intelligent Key from being accidentally locked in the vehicle, lockout protection is equipped with the Intelligent Key system.

When the driver's side door is open, the doors

are locked, and then the Intelligent Key is put inside the vehicle and all the doors are closed; the lock will automatically unlock and the door buzzer sounds.

### NOTE:

**The doors may not lock when the Intelligent Key is in the same hand that is operating the request switch to lock the door. Put the Intelligent Key in a purse, pocket or your other hand.**



### CAUTION

**The lockout protection may not function under the following conditions:**

- **When the Intelligent Key is placed on top of the instrument panel.**
- **When the Intelligent Key is placed inside the glove box or a storage bin.**
- **When the Intelligent Key is placed inside the door pockets.**
- **When the Intelligent Key is placed on or under the spare tire area.**
- **When the Intelligent Key is placed on the outer side of trunk area.**

- **When the Intelligent Key is placed inside or near metallic materials.**

## Unlocking doors

1. Push the door handle request switch **(A)** or the lift gate request switch **(B)** once while carrying the Intelligent Key with you.
2. The hazard indicator flashes once and the outside chime sounds once. The corresponding door or the lift gate will unlock.
3. Push the request switch again within 1 minute.
4. The hazard indicator flashes once and the outside chime sounds once again. All the doors and the lift gate will unlock.

All doors will be locked automatically unless one of the following operations is performed within 1 minute after pushing the request switch while the doors are locked. If during this 1-minute time period, the request switch is pushed, all doors will be locked automatically after another 1 minute.

- Opening any door (including the lift gate)
- Pushing the ignition switch
- Inserting the Intelligent Key into the Intelligent Key port

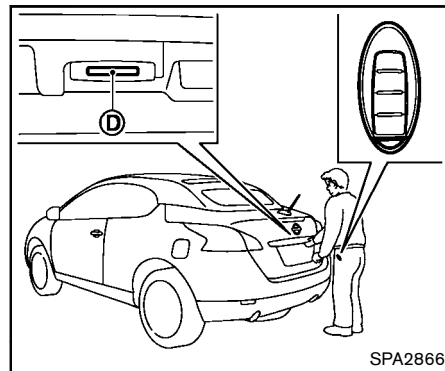
During this 1-minute time period, if the UNLOCK

**i** button on the Intelligent Key is pushed, all doors will be locked automatically after another 1 minute.

## Power lift gate open (if so equipped)

1. Carry the Intelligent Key.
2. Push the power lift gate opener switch **(C)**.
3. The lift gate will unlock and automatically open.
4. The hazard indicator flashes 4 times and the outside chime sounds.

To close the lift gate, push the power lift gate button on the key, or power lift gate switch on the instrument panel or lower part of the lift gate. (See "Lift gate (Hardtop models)" in the "3. Pre-driving checks and adjustments" section.)



**CrossCabriolet models**

## Opening trunk lid (CrossCabriolet models)

1. Push the trunk open request switch **(D)** for more than 1 second.
2. The trunk will unlatch. An outside chime will sound four times.
3. Raise the trunk lid to open the trunk.

### **Lockout protection:**

To prevent the Intelligent Key from being accidentally locked in the trunk, lockout protection is equipped with the Intelligent Key system.

When the trunk lid is closed with the Intelligent Key inside the trunk, the outside buzzer will

sound and the trunk will open.

## BATTERY SAVER SYSTEM

When all the following conditions are met for a period of time, the battery saver system will cut off the power supply to prevent battery discharge.

- The ignition switch is in the ACC position, and
- All doors are closed, and
- The shift lever is in the P (Park) position.


## WARNING SIGNALS

To help prevent the vehicle from moving unexpectedly by erroneous operation of the Intelligent Key listed on the following chart or to help prevent the vehicle from being stolen, chime or beep sounds inside and outside the vehicle and a warning displays in the dot matrix liquid crystal display.

When a chime or beep sounds or the warning displays, be sure to check the vehicle and Intelligent Key.

See “Troubleshooting guide” later in this section and “Dot matrix liquid crystal display” in the “2. Instruments and controls” section.

## TROUBLESHOOTING GUIDE

|  | Symptom  | Possible cause   | Action to take  |
|--|--|--|---|
| When pushing the ignition switch to stop the engine  | The SHIFT P warning appears on the display and the inside warning chime sounds continuously.                                       | The shift lever is not in the P (Park) position.   | Shift the shift lever to the P (Park) position.   |
| When shifting the shift lever to the P (Park) position.  | The inside warning chime sounds continuously.  | The ignition switch is in the ACC or ON position.  | Push the ignition switch to the OFF position.   |
| When opening the driver's door to get out of the vehicle   | The inside warning chime sounds continuously.  | The ignition switch is in the ACC position.  | Push the ignition switch to the OFF position.   |
|  |  | The Intelligent Key is in the Intelligent Key port.  | Remove the Intelligent Key from the Intelligent Key port.                                       |
| When closing the door after getting out of the vehicle   | The NO KEY warning appears on the display, the outside chime sounds 3 times and the inside warning chime sounds for a few seconds. | The ignition switch is in the ACC or ON position.  | Push the ignition switch to the OFF position.   |
|  | The SHIFT P warning appears on the display and the outside chime sounds continuously.  | The ignition switch is in the ACC or OFF position and the shift lever is not in the P (Park) position. | Move the shift lever to the P (Park) position and push the ignition switch to the OFF position. |
| When closing the door with the inside lock knob turned to LOCK   | The outside chime sounds for a few seconds and all the doors unlock.   | The Intelligent Key is inside the vehicle or cargo/trunk room area.                                    | Carry the Intelligent Key with you.   |
| When pushing the request switch or the LOCK  button on the Intelligent Key to lock the door | The outside chime sounds for a few seconds.  | The Intelligent Key is inside the vehicle or cargo/trunk room area.                                    | Carry the Intelligent Key with you.   |
|  |  | A door is not closed securely.   | Close the door securely.  |
| When closing the trunk lid (CrossCabriolet models)   | The outside chime sounds for approximately 10 seconds and the trunk lid opens.   | The Intelligent Key is inside the trunk.   | Carry the Intelligent Key with you.   |

## REMOTE KEYLESS ENTRY SYSTEM



### WARNING

The Intelligent Key transmits radio waves when the buttons are pushed. The FAA advises that radio waves may affect aircraft navigation and communication systems. Do not operate the Intelligent Key while on an airplane. Make sure the buttons are not operated unintentionally when the unit is stored for a flight.

It is possible to lock/unlock all doors and the lift gate/trunk lid, activate the panic alarm and open the windows and lift gate/trunk lid (if so equipped) by pushing the buttons on the Intelligent Key from outside the vehicle.

**Before locking the doors, make sure the Intelligent Key is not left in the vehicle.**

The LOCK/UNLOCK button on the Intelligent Key can operate at a distance of approximately 33 ft (10 m) from the vehicle. (The effective distance depends upon the conditions around the vehicle.) As many as 4 Intelligent Keys can be used with one vehicle. For information concerning the purchase and use of additional Intelligent Keys, contact a NISSAN dealer.

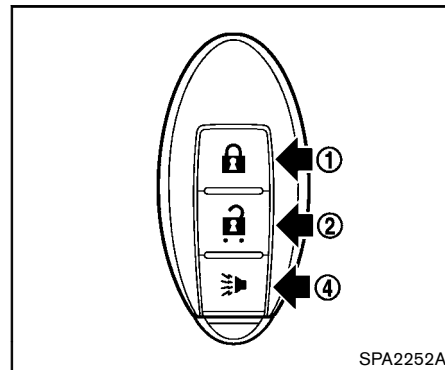
The lock and unlock buttons will not operate  
3-16 **Pre-driving checks and adjustments**

when:

- the distance between the Intelligent Key and the vehicle is over 33 ft (10 m).
- the Intelligent Key battery is discharged.

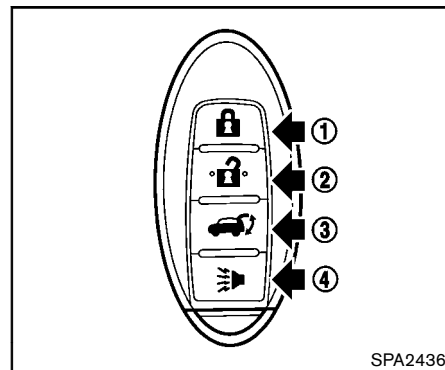
After locking with the remote keyless entry function, pull the door handle to make sure the doors are securely locked.

The LOCK/UNLOCK operating range varies depending on the environment. To securely operate the lock and unlock buttons, approach the vehicle to about 3 ft (1 m) from the door.



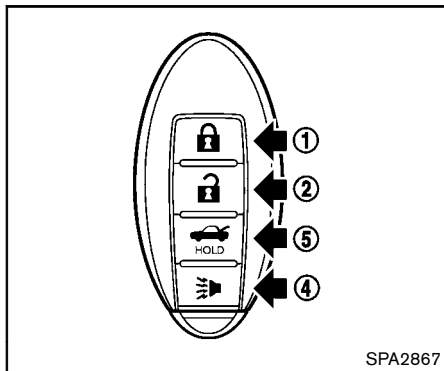
Type A





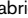
SPA2252A



Type B

SPA2436




- ① LOCK button 
- ② UNLOCK button 
- ③ Power lift gate button  (if so equipped)
- ④ PANIC button 
- ⑤ TRUNK button  (CrossCabriolet models)

## HOW TO USE REMOTE KEYLESS ENTRY SYSTEM



When you lock or unlock the doors or the lift gate/trunk lid, the hazard indicator will flash and the horn (or the outside chime) will sound as a confirmation. For details, see "Setting hazard indicator and horn mode" later in this section.

### Locking doors

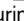
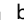
1. Move the shift lever to the P (Park) position and push the ignition switch to the OFF position. Make sure you carry the Intelligent Key with you.\*
2. Close all the doors and lift gate.
3. Push the LOCK  button ①.
4. All the doors and the lift gate will lock.
5. The hazard indicator flashes twice and the horn chirps once.

\*: Doors will lock while the ignition switch is in the ACC or ON position.

### Unlocking doors


1. Push the UNLOCK  button ② once.
2. The hazard indicator flashes once. The driver's door will unlock.
3. Push the UNLOCK  button ② again within 1 minute.


4. The hazard indicator flashes once again. All the doors and the lift gate will unlock.


All doors will be locked automatically unless one of the following operations is performed within 1 minute after pushing the UNLOCK  button ② while the doors are locked. If during this 1-minute time period, the UNLOCK  button ② is pushed, all doors will be locked automatically after another 1 minute.

- Opening any door (including the lift gate) or trunk
- Pushing the ignition switch


### Opening windows


The UNLOCK  button ② operation also allows you to open the window that is equipped with the automatic open/close function. (See "Power windows" in the "2. Instruments and controls" section).

To open the windows, push the door UNLOCK  button ② for **about 3 seconds** after the door is unlocked.

To stop opening, release the UNLOCK  button ②.


Windows cannot be closed using the button on the Intelligent Key.

If the window open operation is stopped in mid-operation while pushing the UNLOCK  button ②, release and push the UNLOCK


 button ② again until the window opens completely.

The door windows can be opened or closed by turning the mechanical key in a door lock. (See “Doors” earlier in this section.)


### Opening/closing lift gate (if so equipped)


1. Push the power lift gate  button ③ for more than 1 second.
2. The lift gate will automatically open.

The hazard indicator flashes 4 times and the outside chime sounds for approximately 3 seconds.

To close the lift gate, push the power lift gate  button ③.



The lift gate will automatically close.

If the power lift gate  button ③ is pushed while the lift gate is being opened or closed, the lift gate will reverse.


The power lift gate  button ③ cannot be operated when the ignition switch is in the ON position.

### Using panic alarm

If you are near your vehicle and feel threatened, you can activate the alarm according to the following procedure to call attention.



1. Push the PANIC  button ④ for **more than 1 second**.
2. The theft warning alarm will sound and the headlights will flash for 25 seconds.
3. The panic alarm stops under either of the following conditions.
  - It has run for 25 seconds, or
  - Any of the buttons is pushed. (Note: the PANIC  button ④ should be pushed for more than 1 second.)

### Opening trunk lid (CrossCabriolet models)



1. Push the TRUNK  button ⑤ on the Intelligent Key for more than 1 second.
2. The trunk will unlatch.
3. Raise the trunk lid to open the trunk.

### Setting hazard indicator and horn mode




This vehicle is set in hazard indicator and horn mode when you first receive the vehicle.

In hazard indicator and horn mode, when the LOCK  button ① is pushed, the hazard indicator flashes twice and the horn chirps once. When the UNLOCK  button ② is pushed, the hazard indicator flashes once.




If horns are not necessary, the system can be switched to the hazard indicator mode.

In hazard indicator mode, when the LOCK  button ① is pushed, the hazard indicator flashes twice. When the UNLOCK  button ② is pushed, neither the hazard indicator nor the horn operates.



### Hazard indicator and horn mode:

|   | DOOR LOCK  | DOOR UNLOCK  | TRUNK UNLOCK  |
|---|--|--|---|
| <b>Intelligent Key system</b><br>(Using door handle or lift gate/<br>trunk request switch)  | HAZARD - <b>twice</b><br>OUTSIDE CHIME -<br><b>twice</b> | HAZARD - <b>once</b><br>OUTSIDE CHIME -<br><b>once</b> | HAZARD - none<br>OUTSIDE CHIME - <b>4</b><br><b>times</b> |
| <b>Remote keyless entry system</b><br>(Using  ,  or  button) | HAZARD - <b>twice</b><br>HORN - <b>once</b>              | HAZARD - <b>once</b><br>HORN - none                    | HAZARD - none<br>HORN - none                              |

### Hazard indicator mode:

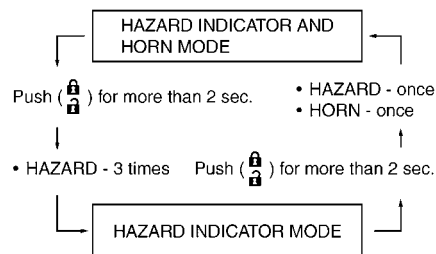
|   | DOOR LOCK  | DOOR UNLOCK                              | TRUNK UNLOCK                             |
|---|--|--|--|
| <b>Intelligent Key system</b><br>(Using door handle or lift gate/<br>trunk request switch)  | HAZARD - <b>twice</b><br>OUTSIDE CHIME -<br>none | HAZARD - none<br>OUTSIDE CHIME -<br>none | HAZARD - none<br>OUTSIDE CHIME -<br>none |
| <b>Remote keyless entry system</b><br>(Using  ,  or  button) | HAZARD - <b>twice</b><br>HORN - none             | HAZARD - none<br>HORN - none             | HAZARD - none<br>HORN - none             |

### Switching procedure:

Push the LOCK  ① and UNLOCK  ② buttons simultaneously for more than 2 seconds to switch the mode from one to the other.

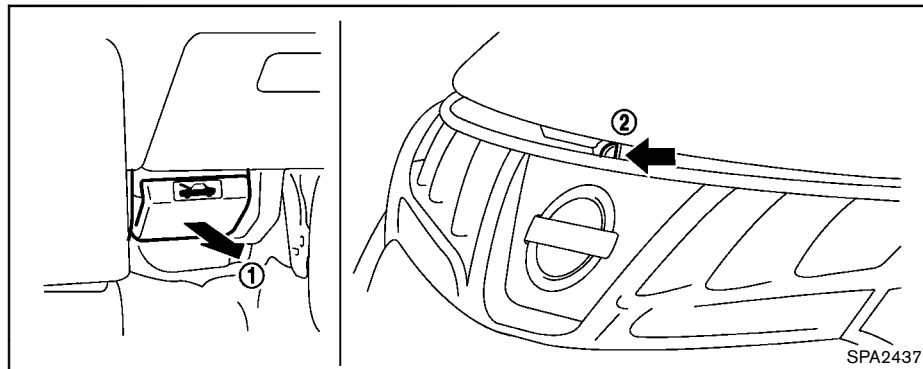
When pushing the buttons to set the hazard indicator mode, the hazard indicator flashes 3 times.

When pushing the buttons to set the hazard indicator and horn mode, the hazard indicator flashes once and the horn chirps once.





## HOOD



1. Pull the hood lock release handle ① located below the instrument panel; the hood will then spring up slightly.
2. Pull the lever ② up at the front of the hood with your fingertips and raise the hood.
3. When closing the hood, slowly close the hood down and make sure it locks into place.

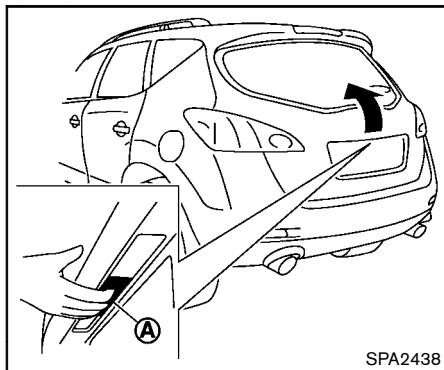
### WARNING

- Make sure the hood is completely closed and latched before driving. Failure to do so could cause the

## LIFT GATE (Hardtop models)

### WARNING


- Always be sure the lift gate has been closed securely to prevent it from opening while driving.
- Do not drive with the lift gate open. This could allow dangerous exhaust gases to be drawn into the vehicle. See “Exhaust gas (carbon monoxide)” in the “5. Starting and driving” section of this manual.
- Do not leave children unattended inside the vehicle. They could unknowingly activate switches or controls. Unattended children could become involved in serious accidents.
- Always be sure that hands and feet are clear of the door frame to avoid injury while closing the lift gate.



## OPERATING MANUAL LIFT GATE

To open the lift gate, unlock it and push the opener switch **(A)**. Pull up the lift gate to open.

The lift gate can be unlocked by:

- pushing the unlock button  on the Intelligent Key twice.
- pushing the lift gate request switch (if so equipped).
- pushing the door handle request switch twice (if so equipped).
- pushing the power door lock switch to the unlock position.
- inserting the mechanical key into the driver's door key cylinder and turning it to the rear of

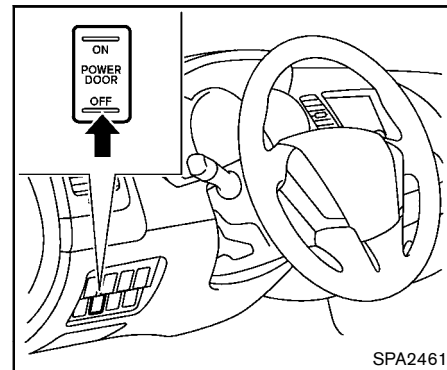
the vehicle twice.

To close the lift gate, pull down until it securely locks.

## OPERATING POWER LIFT GATE (if so equipped)

To operate the power lift gate, the shift lever must be in the P (Park) position.

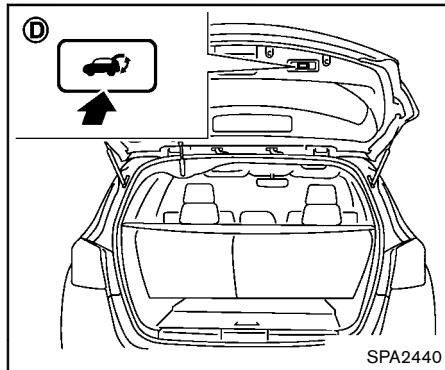
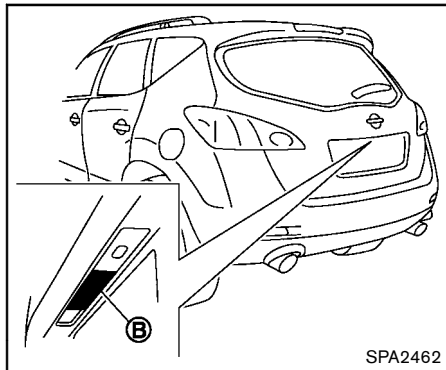
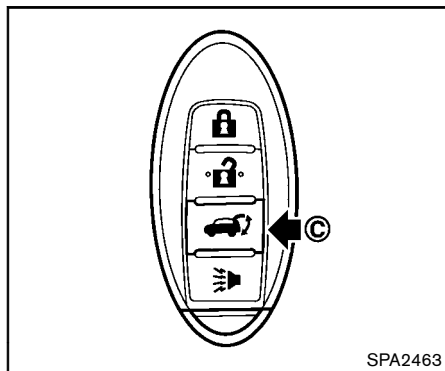
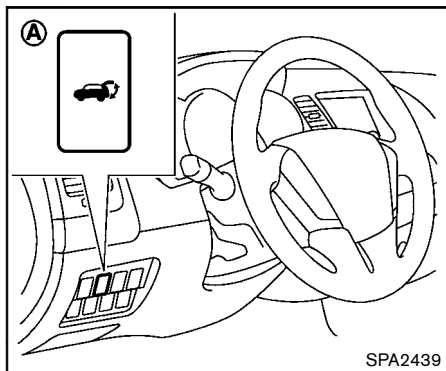
The power lift gate will not operate if the battery voltage is low.



## Power lift gate main switch

The power lift gate operation can be turned on or off by the power lift gate main switch on the instrument panel.

When the power lift gate main switch is pushed to the "OFF" position, the power operation is not available by the power lift gate switch on the lift gate and lift gate opener switch.



### Power open

When the lift gate is fully closed, the lift gate will fully open automatically by:

- pushing the power lift gate switch (A) on the instrument panel
- pushing the lift gate opener switch (B)
- pushing the power lift gate button (C) on the Intelligent Key for more than 1 second

The hazard flashes 4 times and the outside chime sounds when the lift gate starts opening.

### NOTE:

**The lift gate can be opened by the power lift gate switch (A) or the lift gate button (C) even if the lift gate is locked. The lift gate will individually unlock and open. Once the lift gate is closed, its lock will align to the vehicle's lock or unlock status.**

### Power close


When the lift gate is fully opened, the lift gate will fully close automatically by:

- pushing the power lift gate switch (A) on the instrument panel
- pushing the power lift gate switch (D) on the lower part of the lift gate
- pushing the lift gate release button (C) on the Intelligent Key for more than 1 second


The hazard flashes 4 times and the outside chime sounds when the lift gate starts closing.

### Reverse function

The power lift gate will reverse immediately if one of the following actions is performed during power open or power close.

- pushing the power lift gate switch **(A)** on the instrument panel
- pushing the lift gate switch **(D)** on the lower part of the lift gate
- pushing the lift gate button  **(C)** on the Intelligent Key.

The outside chime sounds when the lift gate starts to reverse.

The power lift gate button  **(C)** on the Intelligent Key cannot be operated when the ignition switch is in the ON position.

### Auto reverse function

The auto-reverse function enables the lift gate to automatically reverse when something is caught in the lift gate as it is opening or closing. When the control unit detects an obstacle, the lift gate will reverse and return to the full open or full close position.

If a second obstacle is detected, the lift gate motion will stop and the drive motor will disengage. The lift gate will enter the manual

mode.

A pinch sensor is mounted on each side of the lift gate. If an obstacle is detected by the pinch sensor during power close, the lift gate will reverse and return to the full open position immediately.

#### **NOTE:**

**If the pinch sensor is damaged or removed, the power close function will not operate.**



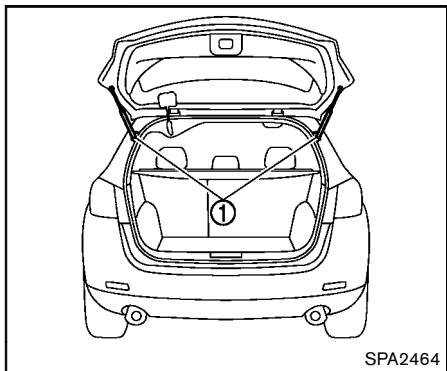
### **WARNING**

**There is a small distance immediately before the closed position that cannot be detected. Make sure that all passengers keep their hands, etc., clear from the lift gate opening before closing the lift gate.**

### Manual mode

If power operation is not available, the lift gate can be operated manually. Power operation may not be available if multiple obstacles have been detected in a single power cycle or if the battery voltage is low. When the power lift gate main switch is in the OFF position, the lift gate can be opened manually by pushing the lift gate opener switch. If the power lift gate opener switch is

pushed during power open or close, the power operation will be canceled and the lift gate can be operated manually.



### Safe Mode

If the gas stays of the lift gate ① lose pressure, the power lift gate safe mode is activated. When the safe mode is activated, the lift gate intermittently closes. Then the lift gate will be pulled to the closed and latched position by a motor.

The power lift gate cannot be opened using the switches at any time in the safe mode.

Do not operate the lift gate again until it is checked by a NISSAN dealer.

### CAUTION

- If the power lift gate does not stay open or if the lift gate unexpectedly closes at any time, do not operate the lift gate. There may be a pressure loss in one or both of the lift gate gas stays. Have the lift gate inspected by a NISSAN dealer.
- Do not activate the power lift gate if one or both of the lift gate gas stays are removed. Damage to the lift gate or power lift gate mechanisms may occur.

### CAUTION

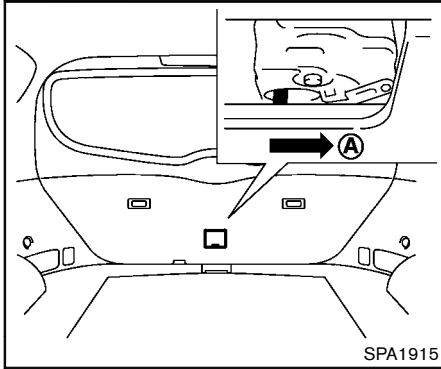
- The lift gate will automatically close from a partly open position. To avoid pinching, keep hands and fingers away from lift gate opening.
- Do not let children operate the lift gate.

### AUTO CLOSURE

If the lift gate is pulled down to a partly open position, the lift gate will pull itself to the closed position.

**Do not apply excessive force when the auto closure is operating. Excessive force applied may cause the mechanism to malfunction.**

## TRUNK LID (CrossCabriolet models)



### LIFT GATE RELEASE

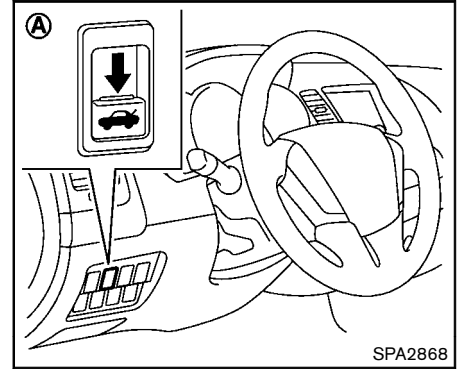
If the lift gate cannot be opened due to a discharged battery, follow these steps.

1. Remove the cover inside of the lift gate with a suitable tool.
2. Move the lever toward the direction **(A)** as illustrated to open the lift gate.

Have the vehicle checked by a NISSAN dealer.

### WARNING

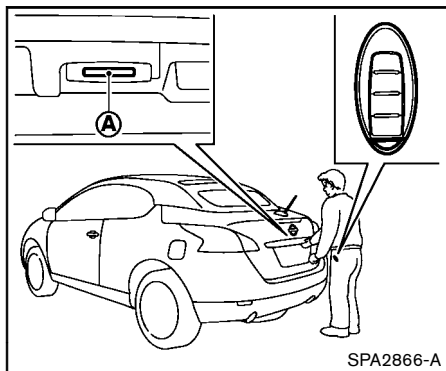
- Do not drive with the trunk lid open. This could allow dangerous exhaust gases to be drawn into the vehicle. See “Exhaust gas (carbon monoxide)” in the “5. Starting and driving” section of this manual.
- Closely supervise children when they are around cars to prevent them from playing and becoming locked in the trunk where they could be seriously injured. Keep the car locked, with the trunk closed, when not in use, and prevent children’s access to Intelligent Keys.



### TRUNK LID RELEASE SWITCH

The trunk lid release switch **(A)** is located on the instrument panel.

To open the trunk lid, push the release switch down as illustrated. To close, push the trunk lid down.




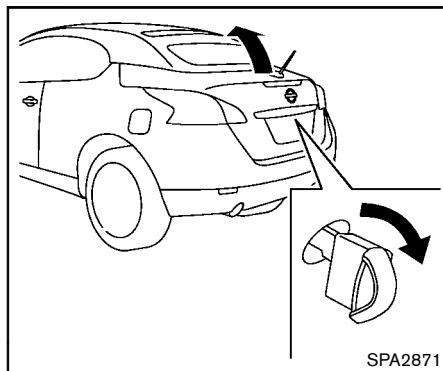
SPA2866-A

### TRUNK OPEN REQUEST SWITCH

The trunk lid can be opened by pushing the trunk open request switch (A) when the Intelligent Key is within the operating range of the trunk lock/unlock function regardless of the inside lock knob position. (See “Intelligent Key system” earlier in this section.)

### TRUNK BUTTON

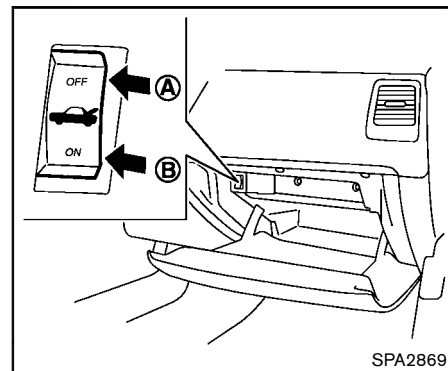
The trunk lid can be opened by pushing the TRUNK button  on the Intelligent Key for more than 1 second.



SPA2871

### OPENING WITH KEY

To open the trunk lid, insert the mechanical key to the trunk key cylinder and turn the key to the right side of the vehicle. To close, remove the key and push the trunk lid down.



SPA2869

### TRUNK RELEASE POWER CANCEL SWITCH

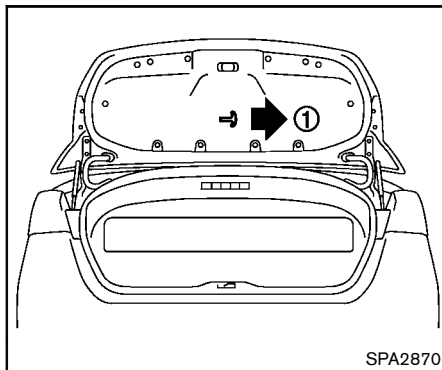
When the switch located inside the glove box is in the OFF position (A), the power to the trunk lid will be canceled and the trunk lid cannot be opened by the trunk lid release switch, the trunk open request switch with the Intelligent Key carried with you or the TRUNK button on the Intelligent Key.

When you have to leave the vehicle with a valet and want to keep your belongings safe in the glove box and the trunk, push this switch to OFF and lock the glove box with the mechanical key. Then leave the vehicle and the Intelligent Key with the valet and keep the mechanical key with

you.

See “Keys” earlier in this section.

To connect the power to the trunk lid, push the switch to the ON **(B)** position.



#### INTERIOR TRUNK LID RELEASE



#### WARNING

**Closely supervise children when they are around cars to prevent them from playing and becoming locked in the trunk where they could be seriously injured. Keep the car locked, with the trunk lid securely latched, when not in use, and prevent children’s access to Intelligent Keys.**

The interior trunk lid release mechanism allows opening of the trunk lid in the event that people

become locked inside the trunk or in the event of the loss of electrical power such as a discharged battery.

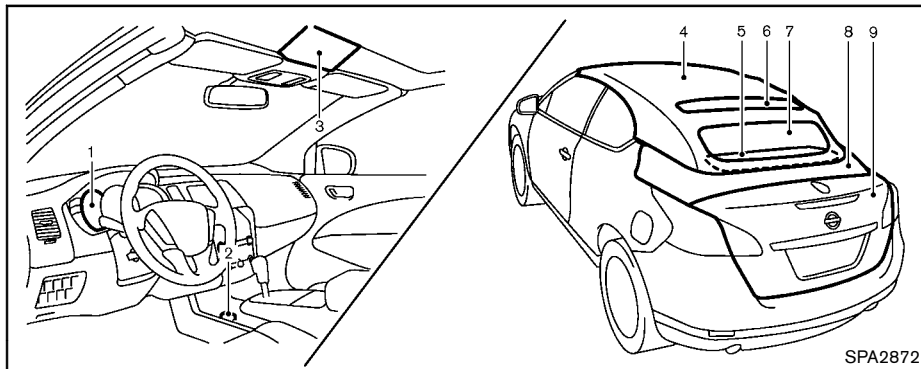
#### Releasing inside the trunk

To open the trunk lid from the inside, pull the release handle **(1)** until the lock releases and push up on the trunk lid. The release lever is made of a material that glows in the dark after a brief exposure to ambient light.

The handle is located on the back of the trunk lid as illustrated.



## SOFT TOP (CrossCabriolet models)



Interior/exterior view

1. Soft top indicator light (on the combination meter)
2. Soft top operating switch
3. Top lock hole
4. Soft top
5. Rear parcel shelf
6. Skylight glass
7. Rear window
8. Top storage lid
9. Trunk lid

### BEFORE OPERATING THE TOP

The soft top of this vehicle is electrically operated. You can fully open or close the top only by pressing the operating switch located on the center console.

Only operate the soft top operating switch under all of the following conditions:

- When the trunk is closed.
- When the vehicle is stopped.
- When the engine is running or when the ignition switch is in the ON position.
- When the luggage cover is pulled out and hooked so that the roof storage area is separated from the trunk.  
(See "Luggage cover (CrossCabriolet models)" in the "2. Instruments and controls" section.)
- When the shift lever is in a position other than the R (Reverse) position.

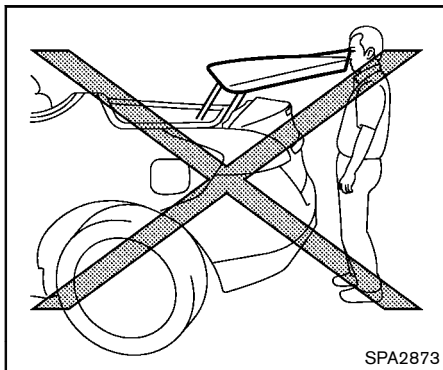


### CAUTION

**Always keep the engine running while operating the soft top. The top will also operate when the ignition switch is in the ON position, but run the engine to prevent a discharged battery.**

Be sure to follow the operating instructions, and all the warnings and cautions in this section.

**Improper operation of the top could cause a system malfunction, damage, or deterioration of the top material and related parts.**

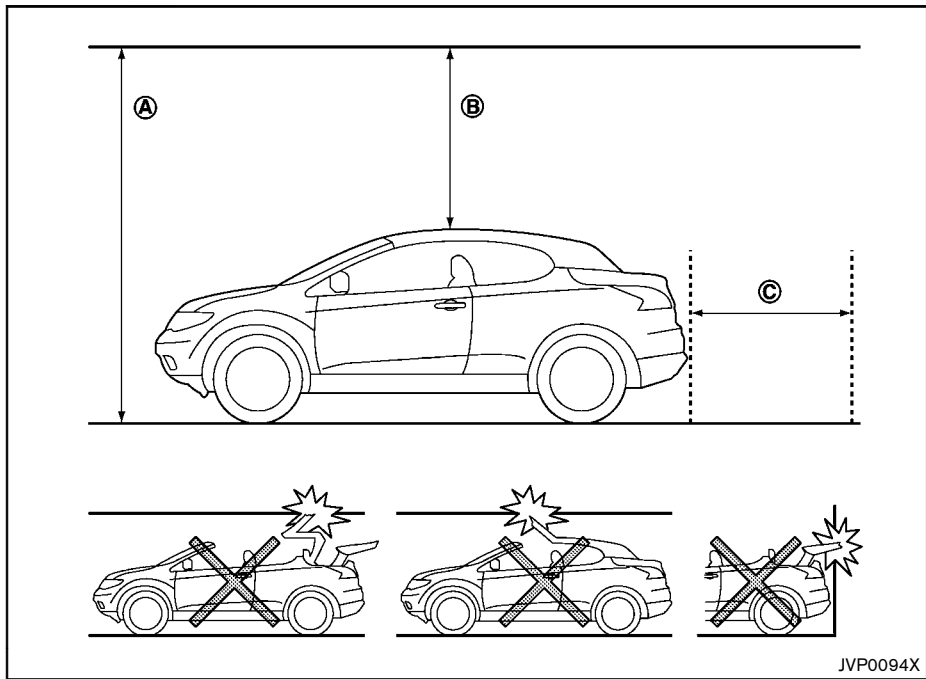


## WARNING

- Do not operate the top when there is not enough clearance behind the vehicle. Someone could become trapped between the top storage lid and another object (for example a wall) which could result in serious injury.
- Park the vehicle in a safe and level place and apply the parking brake.
- Do not operate the top in a strong wind. It could be blown by the wind, striking someone or damaging the

top.

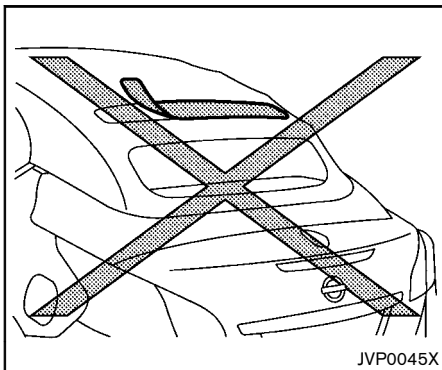
- Do not allow anyone to stand up or extend any portion of their body out of the opening while the vehicle is in motion or while the top is being operated.
- In an accident you could be thrown from the vehicle with an open top. Always use seat belts and proper child restraints.



JVP0094X

## CAUTION

- Make sure the parking area is clear of obstacles and there is enough clearance over the top (for example, in a garage or a covered area). More than approximately 10 ft (3 m) from the ground **A**, more than approximately 5.5 ft (1.7 m) from the top of the roof **B** and more than approximately 4.9 ft (1.5 m) from the rear of the vehicle **C** is required to open or close the top safely. Otherwise, the top may damage any objects above it while moving. The top operating system could also be damaged.

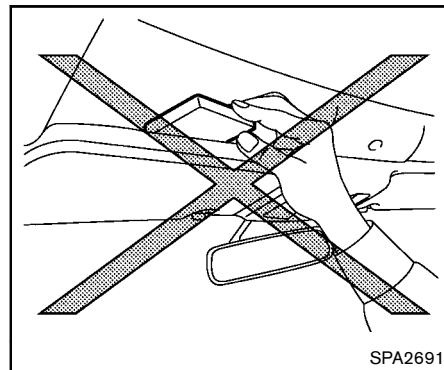


### WARNING

- Never install a cover or film (for example window tint) on the skylight glass. This may cause the dual pop-up roll bars to operate improperly and could result in serious injury or death in the event of a rollover. (see “Dual pop-up roll bar system (CrossCabriolet models)” in the “1. Safety — Seats, seat belts and supplemental restraint system” section.)

### CAUTION

- Do not operate the top when the temperature is below 32°F (0°C). This may result in damage to the top material or operating system.
- Remove water drops, snow, ice or sand from the top, and dry the surface of the top completely before opening it.
- Do not open the top when it is wet or damp. This may cause interior water damage, stains or mildew on the top material.
- Be sure to turn off the rear window defroster switch. Never turn it on while the top is being operated or fully opened. The heat may damage the top material.



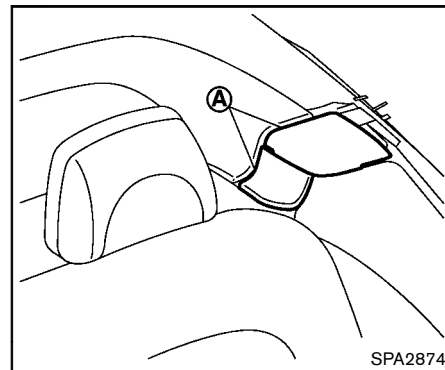
### CAUTION

- Do not place any objects between the top cloth and the structure. Doing so could interfere with top operation and cause damage to the top operating system or the objects.
- Do not place anything on the top, rear parcel shelf, inner flaps and trunk lid. Even small items may interfere with the top operation and could cause damage to the top or the vehicle body.

- Do not place anything in the top storage area. The top will not fit there properly, and this could damage the top and/or the vehicle body.
- Do not sit or place anything on the top, rear parcel shelf, inner flaps, storage lid and trunk lid, especially when the top is being operated. The top may be damaged.
- Do not drive the vehicle with the top partially opened. Always make sure the top is either fully opened or closed before driving.
- Secure items so that they cannot be blown from the vehicle while driving with the top open.
- Do not operate the top manually except for emergency cases. Manual operation may damage the top.
- Be sure to fully open or fully close the top. Do not release the switch half way through the roof opening or closing process. If the top is only partially opened, significant damage to the top could occur.
- Do not operate the top if the dual pop-up roll bars have been acti-

vated. Extended dual pop-up roll bars may interfere with top operation and could cause damage to the top or the vehicle body.

Make sure the trunk lid is securely closed before operating the top.



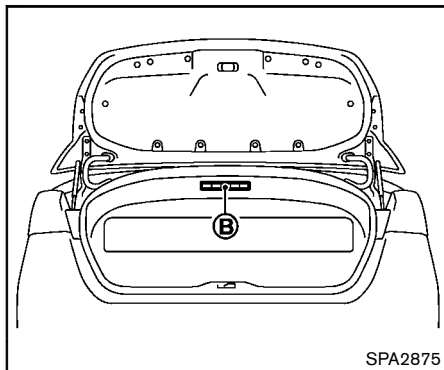
SPA2874

WHEN OPERATING THE TOP



**WARNING**

Keep hands and other parts of the body away from moving parts such as the top, storage lid, inner flap (A) and power windows.



## CAUTION

- Keep all parts of the top linkage clear of obstructions, or the top latch may not be securely locked.
- Do not place anything in the top storage area. Cargo that contacts the top could damage the top and/or the vehicle body. See Caution label **B** attached in the trunk.

### NOTE:

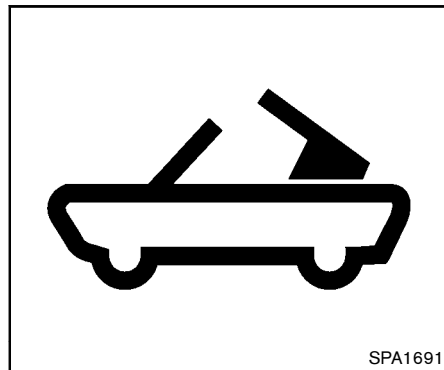
- In case of low battery or low temperature, the top may temporarily stop moving during the operation. This functions to protect the top control mechanism, and it is not a malfunction.
- The top operation may be automatically stopped to protect the system under the following conditions:
  - Immediately after the engine is started.
  - If the top or power windows are operated repeatedly in a short period of time.
  - If the top is left partially open for a long period of time before the top is fully opened.

**Wait for approximately 5 minutes before operating the top again.**

### LUGGAGE COVER

The soft top can be operated only when the trunk is separated by the luggage cover. The luggage cover must be pulled out and hung on the hooks or the top will not operate.

(See “Luggage cover (CrossCabriolet models)” in the “2. Instruments and controls” section).



### SOFT TOP INDICATOR LIGHT

The soft top indicator light in the instrument panel shows the conditions of top operation. The light illuminates when the soft top is being operated or if it is stopped before reaching the fully opened or closed position. When the top is fully opened or closed, the light will turn off.

The light blinks while the soft top is not fully opened or closed under the following conditions:

- When the vehicle is driven.
- When the shift lever is in the R (Reverse) position.

Only drive the vehicle when the soft top is in the

fully opened or fully closed position.

When the soft top is operating, and any of the following conditions occur, the top will stop operating.

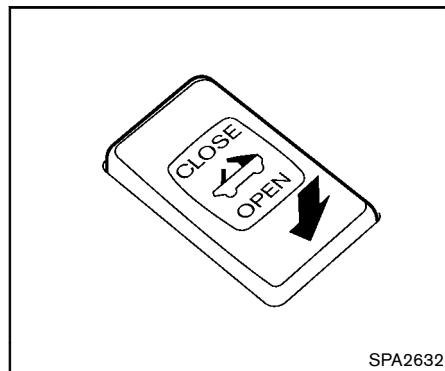
- When the shift lever is in the R (Reverse) position.
- When the vehicle moves at a speed of 3 MPH (5 km/h) or more.
- When the battery voltage is extremely low.
- When the temperature of the soft top system becomes extremely high.

Release the soft top operating switch, and push the switch again to move the top to the fully opened or closed position. The soft top indicator light will turn off when the top operation is completely finished.

If the soft top indicator light illuminates with the ignition switch ON (whether the top is operated or not, and when the top is engaged), it may indicate the top operating system is not functioning properly. Have your vehicle checked by a NISSAN dealer as soon as possible.

## AUTOMATIC WINDOW LOWERING

When the soft top operating switch is pressed, the power windows will automatically be lowered completely. The windows do not rise automatically after the top operation is completed. Use the power window switches to raise them.

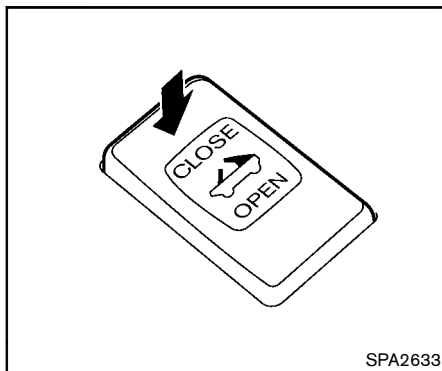


## OPENING THE TOP

1. Start the engine.
2. Push OPEN on the soft top operating switch and hold it until the top is fully opened.
  - The soft top indicator light will illuminate while the top is in motion. (In about 20 seconds, the opening movement will finish and the indicator light turns off.)
  - Windows will automatically be fully opened.
3. Release the switch when the top is fully opened. (The indicator light turns off.)

**NOTE:**

If you release the switch and press it again while the top is being opened, the top will slightly move to the closing direction, then start moving to the opening direction again. The top is designed to move in this way. It is not a malfunction.

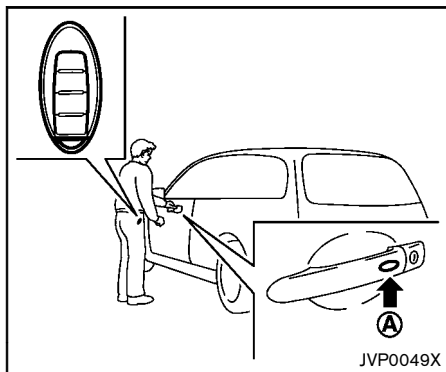
**OPENING THE TOP USING THE INTELLIGENT KEY**

The soft top can be opened using the door handle request switch.

**CLOSING THE TOP**

1. Start the engine.
2. Push CLOSE on the soft top operating switch and hold it until the top is fully closed.
  - The soft top indicator light will illuminate while the top is in motion. (In about 20 seconds, the closing movement will finish.)
  - Windows will automatically be fully opened.
3. Release the switch when the top is fully closed. (The indicator light will turn off.)





### Opening the soft top

Push the ignition switch to the OFF position and make sure to carry the Intelligent Key with you. Make sure that the trunk luggage cover is pulled out and hung on the hooks. Push the door handle request switch (driver's or passenger's) **(A)** and hold it until the soft top is fully open.

## TROUBLESHOOTING GUIDE

If the soft top stops halfway during operation or does not operate normally, follow the procedures shown in the following table. If the procedures in the following table do not solve the symptom, immediately contact a NISSAN dealer for the inspection.

| Symptom  | Beep                | Possible cause  | Possible solution   |
|--|---------------------|---|---|
| The OPEN side of the soft top operating switch is pushed, but the soft top does not operate. | Sounds twice        | The OPEN side of the soft top operating switch is pushed while the soft top is fully open, or the CLOSE side of the soft top operating switch is pushed while the soft top is fully closed. | Push the CLOSE side of the soft top operating switch when the soft top is fully open. Push the OPEN side of the soft top operating switch when the soft top is fully closed.                                    |
|  | Sounds twice        | The shift lever is in the R (Reverse) position.   | Shift the shift lever to the P (Park) or N (Neutral) position, and then operate the soft top.   |
|  | Sounds twice        | The trunk lid is opened.  | Fully close the trunk lid.  |
|  | Does not sound      | The battery voltage is low.   | Start the engine again and operate the soft top.  |
|  | Does not sound      | The operation stops to protect the system.  | Wait for approximately 5 minutes.   |
| The soft top stops halfway during operation.   | Sounds twice        | Objects are trapped in the moving structure of the soft top.  | Check that an object is not trapped inside the rear parcel shelf, inner flap and soft top. After the check, turn the ignition switch to the OFF position, start the engine again and then operate the soft top. |
|  | Sounds twice        | The battery voltage is low.   | Start the engine again and operate the soft top.  |
| When the vehicle is being driven, the beep sounds.   | Sounds continuously | The soft top is partially opened.   | Immediately park the vehicle in a safe location and fully open or fully close the soft top.   |

## IF THE TOP DOES NOT OPEN OR CLOSE ELECTRICALLY

If you cannot operate the soft top with the operating switch, first check whether all the following operating conditions are met.

- Vehicle is stopped
- Ignition switch is ON (Run the engine when operating the top.)
- The trunk is closed
- The shift lever is in a position other than the R (Reverse) position
- The luggage cover is pulled out and hooked so that the roof storage area is separated from the trunk.

If the top still does not move under the above conditions or has any system malfunction, see a NISSAN dealer as soon as possible. When you must close the top by yourself, in the event of emergency or when an immediate dealer service is not available, close the top manually according to the procedures shown in this section.

When closing the soft top manually:

- Move the vehicle to a safe place, away from traffic.
- Two people should perform this procedure, as some of the top parts are extremely heavy.

The top cannot be opened manually.

### 3-38 Pre-driving checks and adjustments

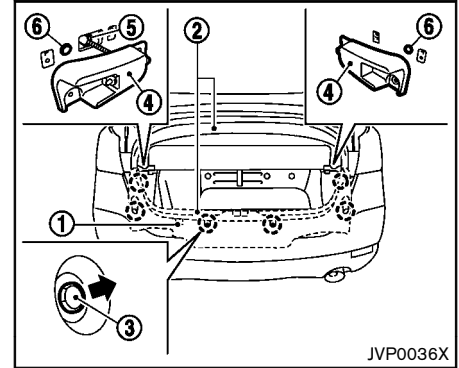
#### **WARNING**

- **Do not drive with the top partially opened.**
- **If the top cannot be operated properly, see a NISSAN dealer as soon as possible to have your vehicle checked.**

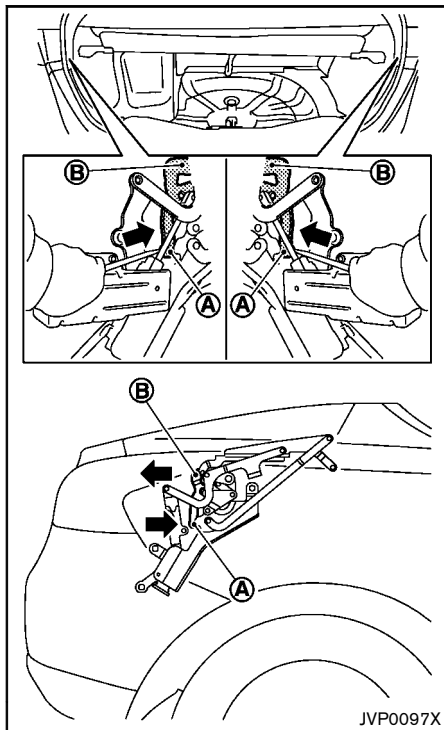
#### **CAUTION**

**The storage lid is extremely heavy. The storage lid should be manually opened or closed by two people.**

1. Open the trunk lid. In the event of a discharged battery, the secondary trunk release mechanism should be operated. (See "Trunk lid (CrossCabriolet models)" earlier in this section.)
2. Open the top storage lid.



- a. Remove the trunk light (1).
- b. Remove the lower trim clips (3) and remove the upper and lower trim pieces (2).
- c. Remove the two luggage cover hooks (4) on the left and right side of the trunk. Then disconnect the connector (5) on the left side luggage cover hook.
- d. Remove the clips (6) behind the luggage cover hooks.

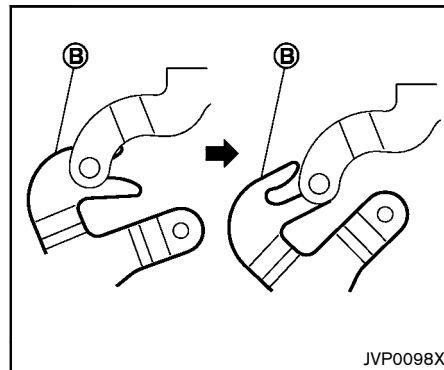


e. Release the storage lid locks.

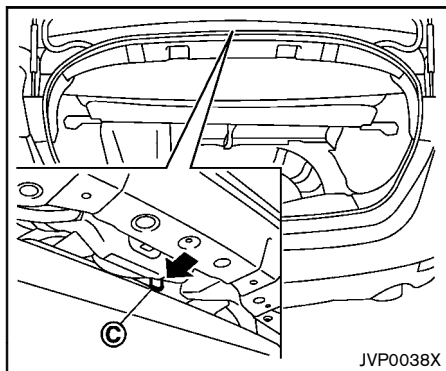
Pull back the left and right side trim in the trunk room. Push linkage (A) on the left and right using the wheel nut wrench or suitable tool to release the storage lid locks (B).

**CAUTION**

Use gloves or a cloth to protect your hands when releasing the storage lid locks.



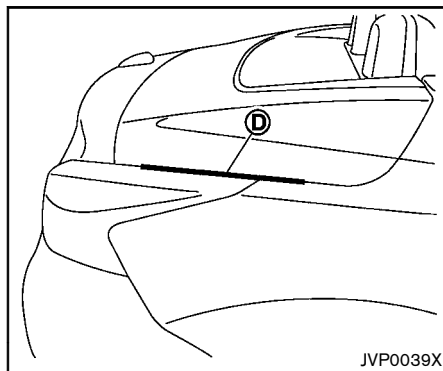
Make sure that both the left and right locks (B) are moved to the released position as shown.



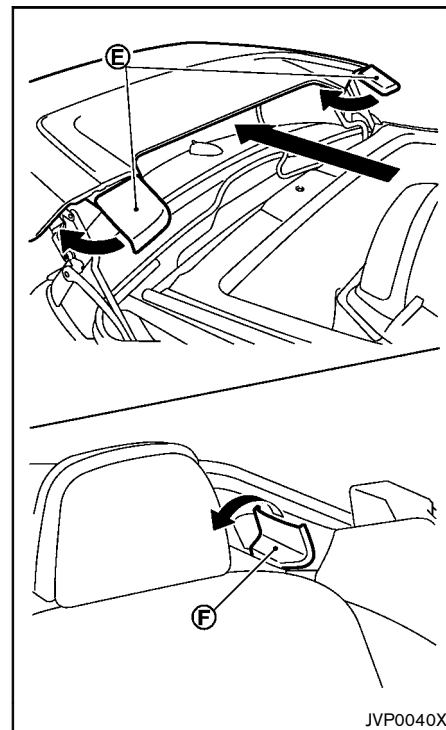
- f. Push and hold the lever **C** toward the front of the vehicle to release the storage lid.
- g. Close the trunk lid.

**⚠ CAUTION**

**Make sure to close the trunk lid before opening the storage lid. The storage lid may contact the trunk lid and damage it.**

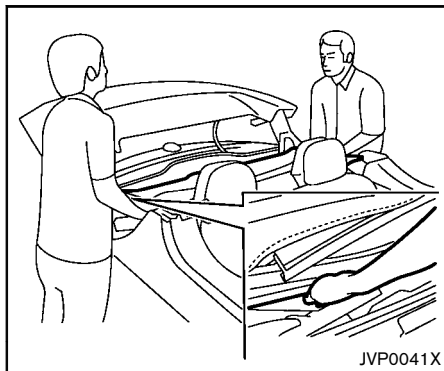


- h. With two people, manually lift the storage lid by hand on the left and right side of the vehicle at lid edge **D**.

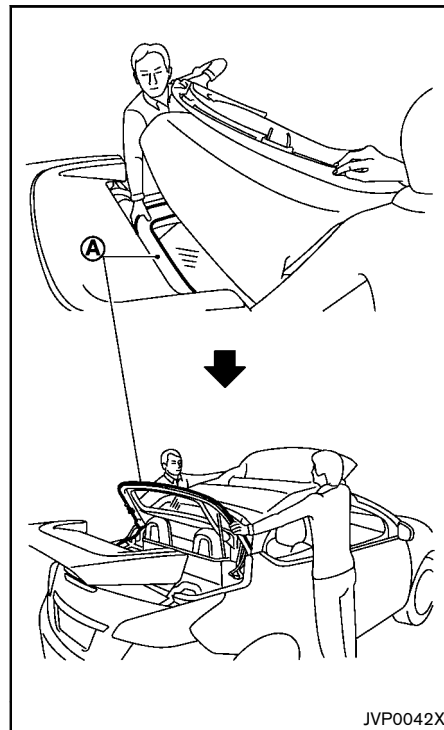


- i. Move the storage lid in the direction marked by the arrow to open it.

- j. Move the inner flap **(E)** and **(F)** in the direction of the arrows, then secure the flaps with tape or string.
3. Close the soft top.

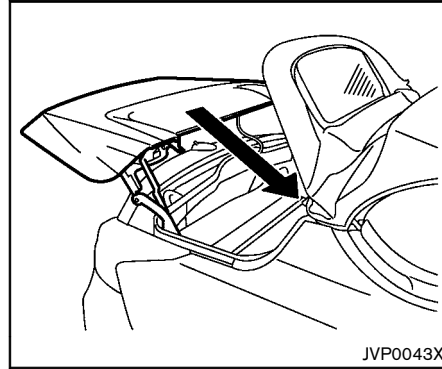


- a. Pull up the soft top simultaneously from the right and left side of the vehicle.



- b. Lift the rear side of the soft top **(A)** until it is out of the storage area, then open the

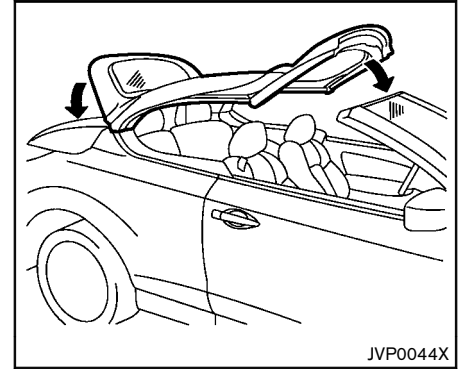
soft top forward all the way.



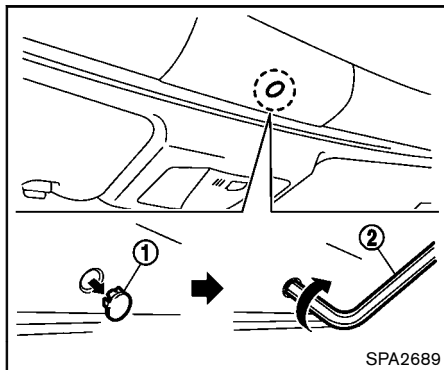
c. Close the storage lid.



**Make sure to close the storage lid completely. The storage lid may contact the soft top and damage it.**



d. Close the front and rear parts of the soft top at the same time as illustrated.



4. Lock the front part of the soft top.
  - a. Remove the cap ① as illustrated.
  - b. Insert tool ② (located in the trunk) into the hole and turn clockwise.

### CAUTION

- After closing the top manually, have the system checked and/or repaired by a NISSAN dealer as soon as possible.
- Avoid leaving the vehicle outside for long periods or driving at high speeds. The rear of the top is not

**locked completely, and this may allow wind and rain to get into your vehicle.**

### CARE OF THE SOFT TOP AND THE VEHICLE BODY

To use your CrossCabriolet safely and comfortably, you need to observe all the warnings and cautions shown in the previous pages. Also, to maintain a good appearance of the soft top and the vehicle body, you need to care for them by cleaning and/or washing properly.

### CAUTION

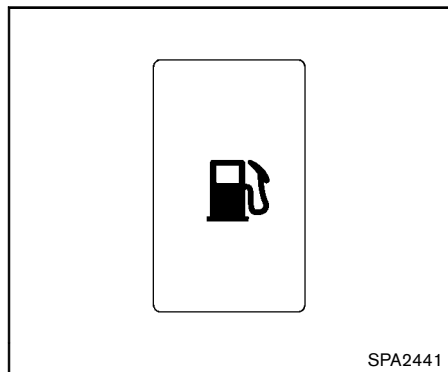
- Do not use an automatic car wash or a high-pressure car wash to clean your vehicle. The top may be damaged and water may leak into the inside of the vehicle.
- Store the vehicle with the top closed if it is not to be used for long periods. Keeping the top stowed for long periods may cause wrinkles on the surface of the top.

See "Cleaning exterior" in the "7. Appearance and care" section for detailed instructions.

- A protective clear tape is applied to the top storage lid painted surface where the soft top contacts the surface. When the top is fully closed, the tape may transmit some light, visible from the inside of the vehicle. This does not affect the water and air tightness of the seal.
- The inner surface of the trunk and top storage lids may show a fibrous, or marbled pattern. This is the normal appearance of the material used in these parts.



## FUEL-FILLER DOOR



### OPENING FUEL-FILLER DOOR

To open the fuel-filler door, push the opener switch located below the instrument panel. To lock, close the fuel-filler door securely.

## FUEL-FILLER CAP



### WARNING





- Gasoline is extremely flammable and highly explosive under certain conditions. You could be burned or seriously injured if it is misused or mishandled. Always stop engine and do not smoke or allow open flames or sparks near the vehicle when refueling.
- Do not attempt to top off the fuel tank after the fuel pump nozzle shuts off automatically. Continued refueling may cause fuel overflow, resulting in fuel spray and possibly a fire.
- Use only an original equipment type fuel-filler cap as a replacement. It has a built-in safety valve needed for proper operation of the fuel system and emission control system. An incorrect cap can result in a serious malfunction and possible injury. It could also cause the malfunction indicator light to come on.

- Never pour fuel into the throttle body to attempt to start your vehicle.
- Do not fill a portable fuel container in the vehicle or trailer. Static electricity can cause an explosion of flammable liquid, vapor or gas in any vehicle or trailer. To reduce the risk of serious injury or death when filling portable fuel containers:
  - Always place the container on the ground when filling.
  - Do not use electronic devices when filling.
  - Keep the pump nozzle in contact with the container while you are filling it.
  - Use only approved portable fuel containers for flammable liquid.




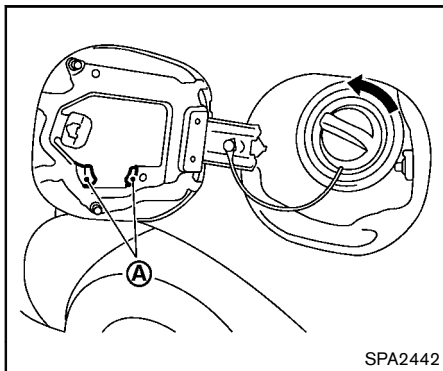
### CAUTION

- If fuel is spilled on the vehicle body, flush it away with water to avoid paint damage.


- Insert the cap straight into the fuel-filler tube, then tighten the fuel-filler cap until a single click is heard. Failure to tighten the fuel-filler cap properly may cause the  malfunction indicator light (MIL) to illuminate. If the  light illuminates because the fuel-filler cap is loose or missing, tighten or install the cap and continue to drive the vehicle. The  light should turn off after a few driving trips. If the  light does not turn off after a few driving trips, have the vehicle inspected by a NISSAN dealer.

For additional information, see “Malfunction Indicator Light (MIL)” in the “2. Instruments and controls” section.

- The **LOOSE FUEL CAP** warning will appear if the fuel-filler cap is not properly tightened. It may take a few driving trips for the message to be displayed. Failure to tighten the fuel-filler cap properly after the **LOOSE FUEL CAP** warning appears may cause the  Malfunction Indicator Light (MIL) to illuminate.

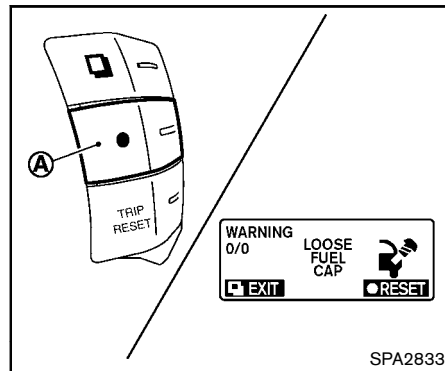


To remove the fuel-filler cap:

1. Turn the fuel-filler cap counterclockwise to remove.
2. Put the fuel-filler cap on the cap holder  while refueling.


To install the fuel-filler cap:

1. Insert the fuel-filler cap straight into the fuel-filler tube.
2. Turn the fuel-filler cap clockwise until a single click is heard.



### LOOSE FUEL CAP warning

The **LOOSE FUEL CAP** warning appears on the dot matrix liquid crystal display when the fuel-filler cap is not tightened correctly after the vehicle has been refueled. It may take a few driving trips for the message to be displayed. To turn off the warning, perform the following steps:

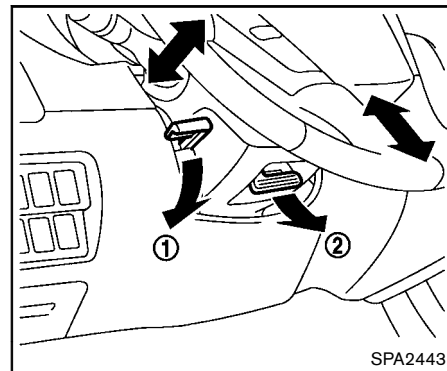
1. Remove and install the fuel-filler cap as soon as possible. (See “Fuel-filler cap” earlier in this section.)
2. Tighten the fuel-filler cap until a single click is heard.
3. Push the reset switch  on the right side of the combination meter for about 1 second

## TILT/TELESCOPIC STEERING

to turn off the LOOSE FUEL CAP warning after tightening the fuel cap.

### **WARNING**

- Do not adjust the steering wheel while driving. You could lose control of your vehicle and cause an accident.
- Do not adjust the steering wheel any closer to you than is necessary for proper steering operation and comfort. The driver's air bag inflates with great force. If you are unrestrained, leaning forward, sitting sideways or out of position in any way, you are at greater risk of injury or death in a crash. You may also receive serious or fatal injuries from the air bag if you are up against it when it inflates. Always sit back against the seatback and as far away as practical from the steering wheel. Always use the seat belts.



### MANUAL OPERATION

#### Manual operation

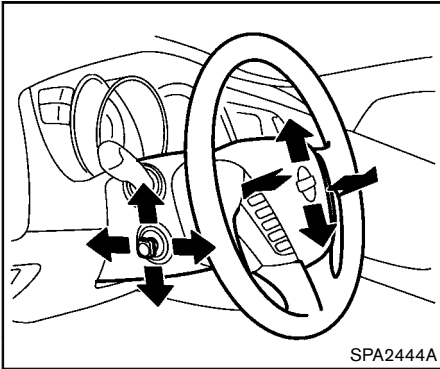
Pull the lock lever ① down and adjust the steering wheel forward or rearward to the desired position.

Push the lock lever up securely to lock the steering wheel in place.

Pull the lock lever ② and adjust the steering wheel up or down to the desired position.

Release the lock lever to lock the steering wheel in place.

## SUN VISORS



### ELECTRIC OPERATION

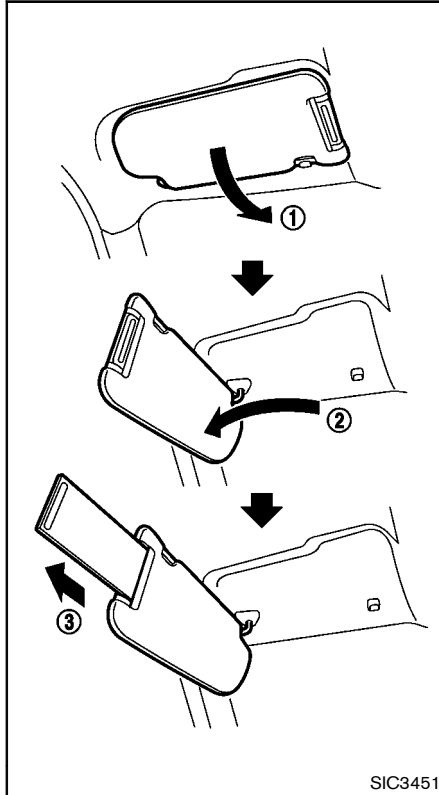
#### Tilt or telescopic operation

Move the lever to adjust the steering wheel up or down, forward or rearward to the desired position.

#### Entry/Exit function operation:

The automatic drive positioner system will make the steering wheel move up automatically when the driver's door is opened with the ignition switch in the LOCK position. This lets the driver get into and out of the seat more easily.

For more information, see "Automatic drive positioner" later in this section.



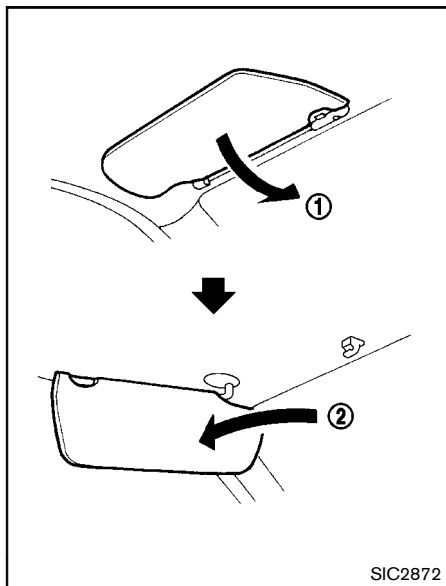
## HARDTOP MODELS

### CAUTION

- Do not store the main sun visor before storing the extension sun visor.
- Do not pull the extension sun visor forcedly downward.

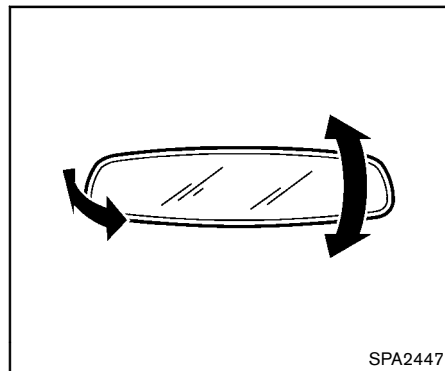
1. To block out glare from the front, swing down the main sun visor ①.
2. To block glare from the side, remove the main sun visor from the center mount and swing it to the side ②.
3. Draw out the extension sun visor ③ from the main sun visor to block from further glare.

## MIRRORS



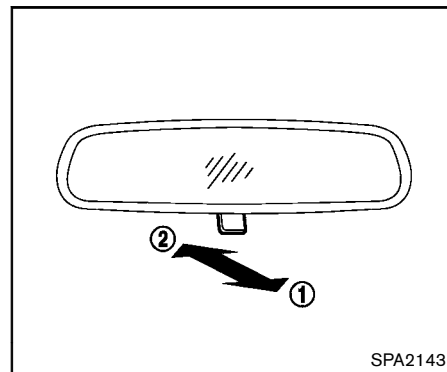
### CROSSCABRIOLET MODELS

1. To block out glare from the front, swing down the sun visor ①.
2. To block glare from the side, remove the sun visor from the center mount and swing it to the side ②.



### INSIDE MIRROR

Adjust the height and the angle of the inside mirror to the desired position.



### Manual anti-glare type

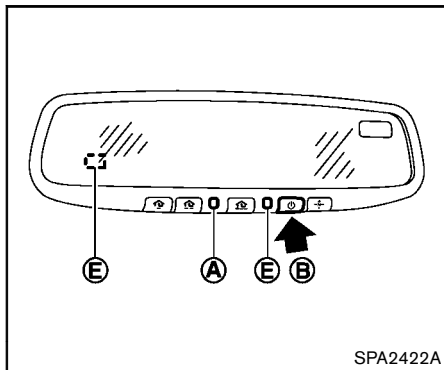
The night position ① will reduce glare from the headlights of vehicles behind you at night.

Use the day position ② when driving in daylight hours.

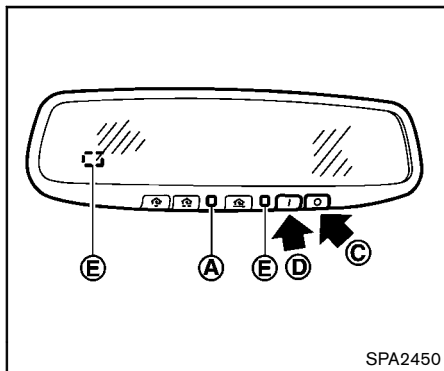


### WARNING

**Use the night position only when necessary, because it reduces rear view clarity.**



Type A




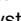
Type B

### Automatic anti-glare type

The inside mirror is designed so that it automatically changes reflection according to the intensity of the headlights of the following vehicle.

The anti-glare system will be automatically turned on when the ignition switch is pushed to the ON position.

When the anti-glare system is turned on, the indicator light (A) will illuminate and excessive glare from the headlights of the vehicle behind you will be reduced.

Type A: Push the  switch (B) to make the inside rearview mirror operate normally and the indicator light will turn off. Push the  switch again to turn the system on.

Type B: Push the "O" switch (C) to make the inside rearview mirror operate normally. The indicator light will turn off. Push the "I" switch (D) to turn the system on.

**Do not allow any object to cover the sensors (E) or apply glass cleaner on them. Doing so will reduce the sensitivity of the sensor, resulting in improper operation.**

For the compass (if so equipped) operation, see "Compass" in the "2. Instruments and controls" section.

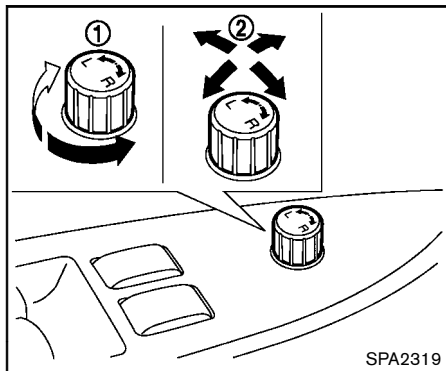
For the HomeLink® Universal Transceiver operation, see "HomeLink® Universal Transceiver" in the "2. Instruments and controls" section.

### OUTSIDE MIRRORS



### WARNING

**Objects viewed in the outside mirror on the passenger side are closer than they appear. Be careful when moving to the right. Using only this mirror could cause an accident. Use the inside mirror or glance over your shoulder to properly judge distances to other objects.**



### Adjusting outside mirrors

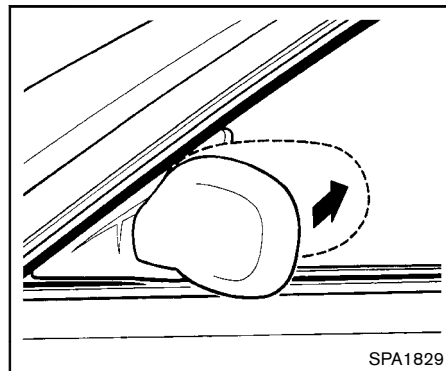
The outside mirror control switch is located on the armrest.

The outside mirror will operate only when the ignition switch is in the ACC or ON position.

Turn the switch right or left to select the right or left side mirror ①, then adjust using the control switch ②.

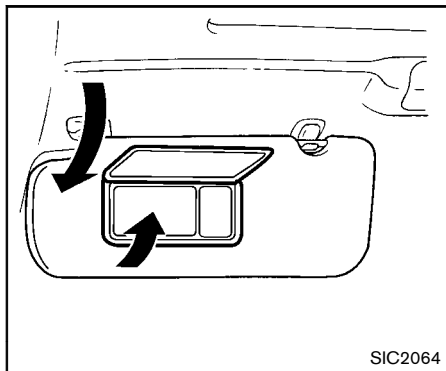
### Defrosting outside mirrors (if so equipped)

The outside mirrors will be heated when the rear window defroster switch is operated.



### Foldable outside mirrors

Fold the outside mirror by pushing it toward the rear of the vehicle.



## VANITY MIRROR

To use the front vanity mirror, pull down the sun visor and pull up the cover.

## AUTOMATIC DRIVE POSITIONER (if so equipped)

The automatic drive positioner system has two features:

- Entry/exit function (for Hardtop models)
- Memory storage

### ENTRY/EXIT FUNCTION (for Hardtop models)

This system is designed so that the driver's seat and steering column will automatically move when the shift lever is in the P (Park) position. This allows the driver to get into and out of the driver's seat more easily.

The driver's seat will slide backward and the steering wheel will move up when the driver's door is opened with the ignition switch in the LOCK position and the Intelligent Key not inserted in the Intelligent Key port.

The driver's seat and steering wheel will return to the previous positions when the ignition switch is pushed to the ACC position.

The driver's seat will not return to the previous positions if the seat or steering adjusting switch is operated when the seat is at the exit position.

### Cancel or activate entry/exit function

The shift lever must be in the P (Park) position with the ignition switch in the OFF position.

The entry/exit function can be activated or canceled by pressing and holding the SET switch for more than 10 seconds.

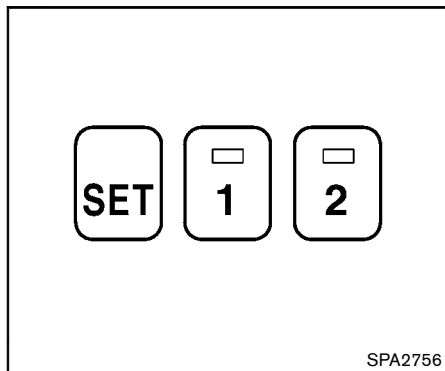
The indicator lights on the memory switches (1 and 2) will blink once when the function is canceled, and the indicator lights will blink twice when the function is activated. Note that the indicator lights may illuminate after 5 seconds while holding the SET switch. This indicates readiness for linking the Intelligent Key to a stored memory position. Keep the SET switch pressed for more than 10 seconds to turn on or off the entry/exit function.

The entry/exit function can also be activated or canceled if the "Lift Steering Wheel on Exit" key or "Slide Driver Seat Back on Exit" key is turned to ON or OFF in the "Comfort" settings. (See "Vehicle information and settings" in the "4. Monitor, heater, air conditioner, audio, phone and voice recognition systems" section.)



### Initialize entry/exit function

If the battery cable is disconnected, or if the fuse opens, the entry/exit function will not work though this function was set on before. In such a case, after connecting the battery or replacing with a new fuse, open and close the driver's door more than two times after the ignition switch is placed in the LOCK position from the ON position. The entry/exit function will be activated.



### MEMORY STORAGE

Two positions for the driver's seat, steering column (if so equipped) and outside mirrors can be stored in the automatic drive positioner memory. Follow these procedures to use the memory system.

1. Move the shift lever to the P (Park) position.
2. Push the ignition switch to the ON position.
3. Adjust the driver's seat, steering column (if so equipped) and outside mirrors to the desired positions by manually operating each adjusting switch. For additional information, see "Seats" in the "1. Safety — Seats, seat belts and supplemental restraint

system" section and "Tilt/telescopic steering" earlier in this section and "Outside mirrors" earlier in this section.



4. Push the SET switch and, within 5 seconds, push the memory switch (1 or 2).

The indicator light for the pushed memory switch will stay on for approximately 5 seconds after pushing the switch.


If memory is stored in the same memory switch, the previous memory will be deleted.

### Linking Intelligent Key to a stored memory position

The Intelligent Key can be linked to a stored memory position with the following procedure.

1. Follow one of the steps for storing a memory position.
  - While the indicator light for the memory switch being set is illuminated for 5 seconds, push the  button on the Intelligent Key.
  - Push the ignition switch to the OFF position, and then push the SET switch. Push the  button while pushing the memory button while the indicator light stays on for approximately 5 seconds.

If the indicator light blinks, the Intelligent Key is linked to that memory setting.

Push the ignition switch to the OFF position, and then push the  button on the Intelligent Key. The driver's seat, steering wheel (if so equipped) and outside mirrors will move to the memorized position.

### Confirming memory storage

- Push the ignition switch to the ON position and push the SET switch. If the main memory has not been stored, the indicator light will come on for approximately 0.5 second. When the memory has stored in position, the indicator light will stay on for approximately 5 seconds.
- If the battery cable is disconnected, or if the fuse opens, the memory will be canceled. In this case, reset the desired position using the previous procedure.
- If optional keys are added to your vehicle, the memory storage procedure to switch 1 or 2 and linking Intelligent Key procedure to a stored memory position should be performed again for each Intelligent Key. For additional Intelligent Key information, see "Keys" earlier in this section.

### Selecting the memorized position

1. Move the shift lever to the P (Park) position.
2. Use one of the following methods to move the driver's seat, the outside mirrors and the steering wheel (if so equipped) .
  - Push the ignition switch to the ON position and push the memory switch (1 or 2).
  - Within 45 seconds of opening the driver's door, push the memory switch (1 or 2).

The driver's seat, steering column (if so equipped) and outside mirrors will move to the memorized position with the indicator light flashing, and then the light will stay on for approximately 5 seconds.

### SYSTEM OPERATION

The automatic drive positioner system will not work or will stop operating under the following conditions:

- When the vehicle speed is above 4 MPH (7 km/h) (entry/exit function).
- When the vehicle is driven (memory storage).
- When the adjusting switch for the driver's seat and steering column (if so equipped) is turned on while the automatic drive positioner is operating.

- When the seat, steering column (if so equipped) and outside mirrors have already been moved to the memorized position.
- When no position is stored in the memory switch.
- When the engine is started while moving the automatic drive positioner.
- When the shift lever is moved from the P (Park) position to any other position. (However, it will not be canceled while the seat and steering column are returning to the previous positions (entry/exit function).)
- When the driver's door remains open for more than 45 seconds and the ignition switch is not in the ON position.

**MEMO**

# 4 Monitor, heater, air conditioner, audio, phone and voice recognition systems

|   |      |   |      |
|---|------|---|------|
| Safety note .....   | 4-3  | How to adjust the screen .....  | 4-37 |
| Center multi-function control panel (models with color display screen) .....              | 4-3  | Operating tips .....  | 4-37 |
| How to use multi-function controller .....  | 4-5  | Moving Object Detection (MOD) function .....  | 4-37 |
| How to use touch screen (models with navigation system) .....                             | 4-5  | Ventilators .....   | 4-40 |
| Menu options (models with navigation system) .....  | 4-7  | Heater and air conditioner .....  | 4-41 |
| How to select menus on the screen .....   | 4-8  | Automatic operation .....   | 4-43 |
| Vehicle information and settings (if so equipped) .....                                   | 4-9  | Manual operation .....  | 4-44 |
| How to use STATUS button .....  | 4-9  | To turn the system ON/OFF .....   | 4-45 |
| How to use brightness control and display ON/OFF button .....                             | 4-9  | Operating tips .....  | 4-45 |
| How to use INFO button .....  | 4-9  | In-cabin microfilter .....  | 4-45 |
| How to use SETTING button .....   | 4-13 | Servicing air conditioner .....   | 4-45 |
| RearView monitor (if so equipped) .....   | 4-23 | Audio system .....  | 4-46 |
| How to read the displayed lines .....   | 4-24 | Audio operation precautions .....   | 4-46 |
| How to park with predictive course lines .....  | 4-24 | FM-AM radio with Compact Disc (CD) changer .....                                    | 4-60 |
| Difference between predictive and actual distances .....                                  | 4-26 | FM-AM-SAT radio with Compact Disc (CD) player .....                                 | 4-65 |
| Predictive course line settings .....   | 4-28 | DVD (Digital Versatile Disc) player operation (models with navigation system) ..... | 4-69 |
| How to adjust the screen .....  | 4-28 | USB memory operation (if so equipped) .....   | 4-72 |
| Operating tips .....  | 4-28 | Bluetooth® streaming audio (models with navigation system) .....                    | 4-76 |
| Rear and rear-wide view monitor with Moving Object Detection (MOD) (if so equipped) ..... | 4-30 | iPod® player operation (if so equipped) .....                                       | 4-81 |
| How to switch the display .....   | 4-31 | Auxiliary input jacks (if so equipped) .....  | 4-83 |
| How to park with predictive course lines .....  | 4-33 | CD/DVD/USB memory care and cleaning .....   | 4-84 |

|  |      |  |       |
|--|------|--|-------|
| Steering-wheel-mounted controls for audio (if so equipped) .....         | 4-86 | Bluetooth® Hands-Free Phone System (models without navigation system) (if so equipped) ..... | 4-99  |
| Antenna .....  | 4-87 | Regulatory information .....   | 4-100 |
| Car phone or CB radio .....  | 4-88 | Control buttons .....  | 4-101 |
| Bluetooth® Hands-Free Phone System (models with navigation system) ..... | 4-88 | Voice recognition system .....   | 4-101 |
| Regulatory information .....   | 4-90 | Pairing procedure .....  | 4-105 |
| Voice commands .....   | 4-90 | Phonebook registration .....   | 4-106 |
| Control buttons .....  | 4-90 | Making a call .....  | 4-106 |
| Connecting procedure .....   | 4-91 | Receiving a call .....   | 4-107 |
| Phone selection .....  | 4-91 | During a call .....  | 4-107 |
| Quick Dial .....   | 4-91 | Phone settings .....   | 4-108 |
| Making a call .....  | 4-94 | Voice adaptation mode .....  | 4-111 |
| Receiving a call .....   | 4-95 | NISSAN voice recognition system (models with navigation system) .....                        | 4-112 |
| During a call .....  | 4-96 | NISSAN voice recognition Standard Mode .....   | 4-112 |
| Phone setting .....  | 4-96 | Using the system .....   | 4-115 |
| Troubleshooting guide .....  | 4-98 | NISSAN voice recognition Alternate Command Mode .....  | 4-124 |
|  |      | Using the system .....   | 4-133 |
|  |      | Troubleshooting guide .....  | 4-138 |

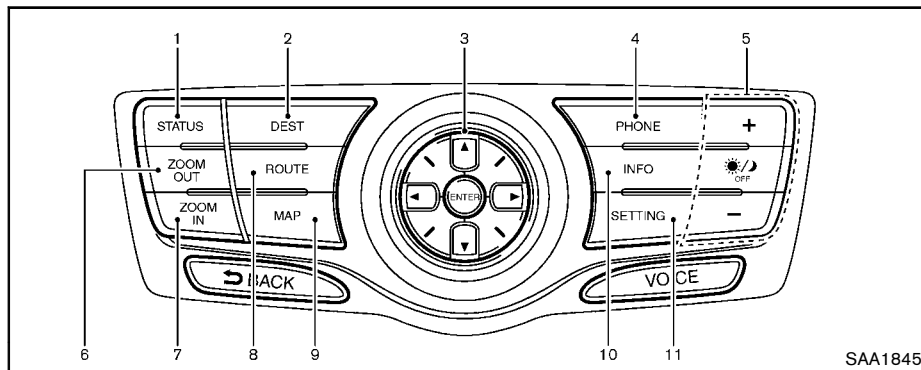
## SAFETY NOTE

### WARNING

- Do not disassemble or modify this system. If you do, it may result in accidents, fire, or electric shock.
- Do not use this system if you notice any abnormality, such as a frozen screen or lack of sound. Continued use of the system may result in accident, fire or electric shock.
- In case you notice any foreign object in the system hardware, spill liquid on it, or notice smoke or smell coming from it, stop using the system immediately and contact your nearest NISSAN dealer. Ignoring such conditions may lead to accidents, fire, or electric shock.
- Park the vehicle in a safe location and apply the parking brake to view the images on the front center display screen.

Do not attempt to operate the system in extreme temperature conditions [below  $-4^{\circ}\text{F}$  ( $-20^{\circ}\text{C}$ ) and above  $158^{\circ}\text{F}$  ( $70^{\circ}\text{C}$ )]. Operating this system under these conditions may result in system malfunctions.

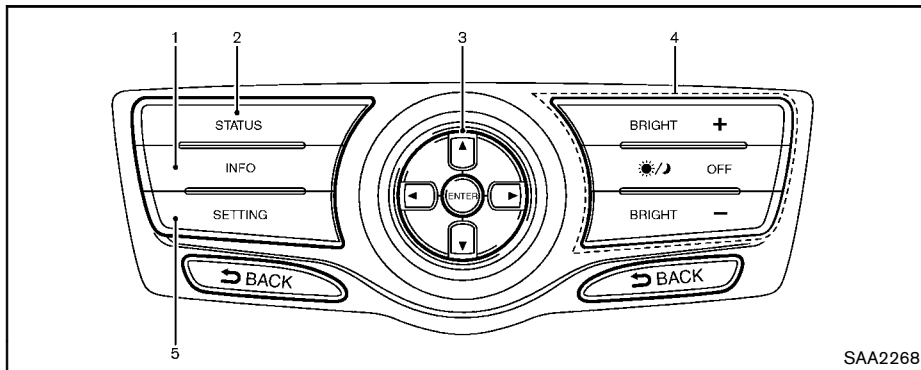
## CENTER MULTI-FUNCTION CONTROL PANEL (models with color display screen)



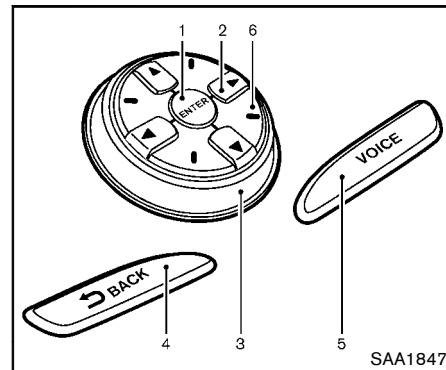
SAA1845

### With navigation system

1. "STATUS" status display button (P.4-9)
- 2, 6, 7, 8, 9. For navigation system control buttons (Refer to the separate Navigation System Owner's Manual.)
3. Multi-function controller (P.4-5)
4. "PHONE" Bluetooth<sup>®</sup> Hands-Free Phone System button (P.4-88)
5. "☀️ OFF" brightness control and display ON/OFF button (P.4-9)
10. "INFO" vehicle and navigation information button (P.4-9)
11. "SETTING" button (P.4-13)



Without navigation system

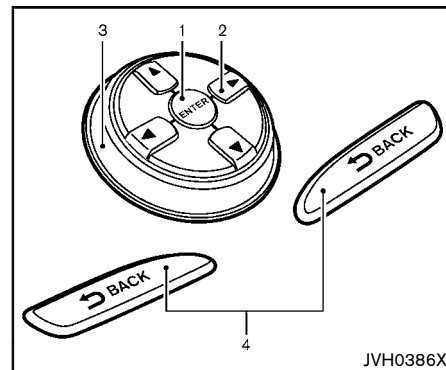


With navigation system

1. "INFO" vehicle and navigation information button (P.4-9)
2. "STATUS" status display button (P.4-9)
3. Multi-function controller (P.4-5)
4. "☀/🌙 OFF" brightness control and display ON/OFF button (P.4-9)
5. "SETTING" button (P.4-13)

When you use this system, make sure the engine is running.

**If you use the system with the engine not running (ignition ON or ACC) for a long time, it will discharge the battery and the engine may not start.**



Without navigation system

## HOW TO USE MULTI-FUNCTION CONTROLLER

Choose an item on the display using the main directional buttons ② (or additional directional buttons ⑥ with navigation system) or center dial ③, and push the **ENTER** button ① for operation.

If you push the **BACK** button ④ before the setup is completed, the setup will be canceled and/or the display will return to the previous screen. This button can also be used to delete characters that have been input.

After the setup is completed, push the **BACK** button ④ and return to the previous screen.

For the **VOICE** button ⑤ functions, refer to the separate Navigation System Owner's Manual.

## HOW TO USE TOUCH SCREEN (models with navigation system)



### CAUTION

- **The glass screen on the liquid crystal display may break if it is hit with a hard or sharp object. If the glass screen breaks, do not touch it. Doing so could result in an injury.**

- **To clean the display, use a soft, dry cloth. If additional cleaning is necessary, use a small amount of neutral detergent with a soft cloth. Never use a rough cloth, alcohol, benzene, thinner or any kind of solvent or paper towel with a chemical cleaning agent. They will scratch or deteriorate the panel.**
- **Do not splash any liquid such as water or car fragrance on the display. Contact with liquid will cause the system to malfunction.**

To ensure safe driving, some functions cannot be operated while driving.

The on-screen functions that are not available while driving will be "grayed out" or muted.

Park the vehicle in a safe location and then operate the navigation system.



### WARNING

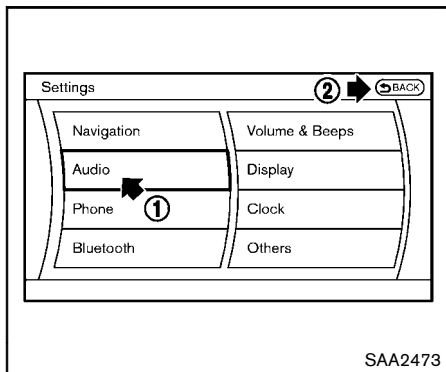
- **ALWAYS give your full attention to driving.**
- **Avoid using vehicle features that could distract you. If distracted, you could lose control of your**

**vehicle and cause an accident.**

## Touch screen operation

With this system, the same operations as those for the multi-function controller are possible using the touch screen operation.

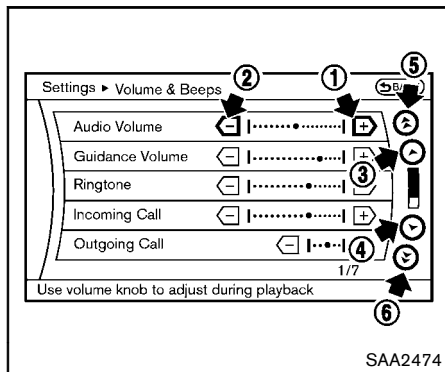




### Selecting the item:

Touch an item to select it. To select the “Audio” settings, touch the “Audio” area ① on the screen.

Touch the BACK ② key to return to the previous screen.

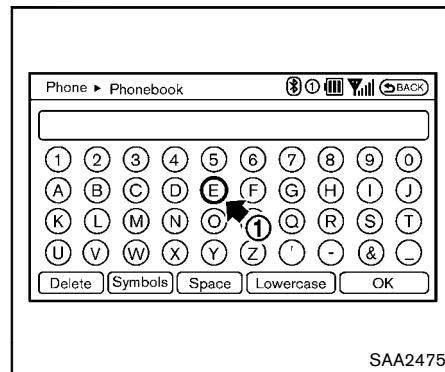


### Adjusting an item:

Touch the + ① or - ② key to adjust the settings.

Touch the < ③ or > ④ key to move to the previous or next item.

Touch the ⓧ ⑤ or Ⓞ ⑥ key to move to the previous or next page.



### Inputting characters:

Touch the letter or number ①.

There are some options available when inputting characters.

- **Uppercase:**  
Shows uppercase characters.
- **Lowercase:**  
Shows lowercase characters.
- **Symbols:**  
Shows symbols such as the question mark (?).
- **Space:**  
Inserts a space.

- **Delete:**

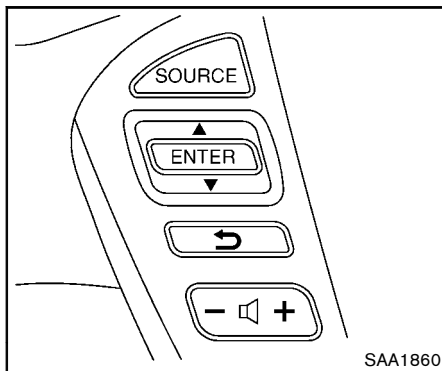
Deletes the last character that has been input with one touch. Push and hold the button to delete all of the characters.

- **OK:**

Completes character inputs.

### Touch screen maintenance

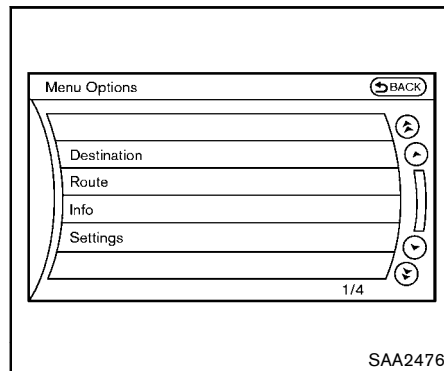
If you clean the display screen, use a dry, soft cloth. If additional cleaning is necessary, use a small amount of neutral detergent with a soft cloth. Never spray the screen with water or detergent. Dampen the cloth first, and then wipe the screen.



### MENU OPTIONS (models with navigation system)

The start menu can be displayed using the menu control switch on the steering-wheel-mounted controls.

1. While the MAP or STATUS screen is displayed, push and hold the menu control switch until the "Menu Options" screen appears.
2. Highlight the preferred item by tilting the menu control switch up or down, and then push the menu control switch to select it.



### Available items

#### **Destination/Route:**

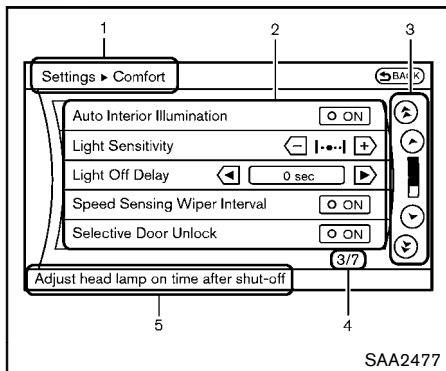
These items are for the navigation system. See the separate Navigation System Owner's Manual for details.

#### **Info:**

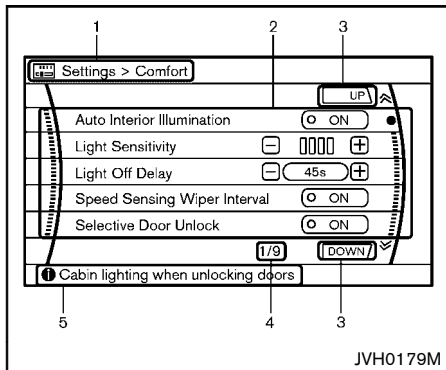
Displays the information screen. It is the same screen that appears when you push the INFO button.

#### **Settings:**

Displays the settings screen. It is the same screen that appears when you push the SETTING button.



**Models with navigation system**



**Models without navigation system**

## HOW TO SELECT MENUS ON THE SCREEN

Vehicle functions are viewed on the display screen in menus. To select each key item, highlight the preferred item using the multi-function controller and push the ENTER button.

Whenever a menu selection is made or menu item is highlighted, different areas on the screen provide you with important information. See the following for details.

- Header:**

Shows the path used to get to the current screen. (for example, push SETTING button > choose "Comfort" menu item.)
- Menu Selections:**

Shows the options to choose within that menu screen.
- UP/DOWN Movement indicator:**

Shows that the multi-function controller may be used to move UP/DOWN on the screen and select more options.
- Menu Items Counter:**

Shows the total number of items listed across all pages for the current menu (for example, 3/7).
- Footer/Information Line:**

Provides more information (if available)

about the menu selection currently highlighted. (for example, adjust head lamp on time after shut-off.)

## VEHICLE INFORMATION AND SETTINGS (if so equipped)

### HOW TO USE STATUS BUTTON

You can check information related to the audio, climate control system, fuel consumption and navigation system (if so equipped) by pushing the STATUS button repeatedly.

### HOW TO USE BRIGHTNESS CONTROL AND DISPLAY ON/OFF BUTTON

Push the "☀️/🌙 OFF" button to switch the display brightness to the daytime mode or the nighttime mode, and to adjust the display brightness using the multi-function controller while the indicator is displayed at the bottom of the screen.

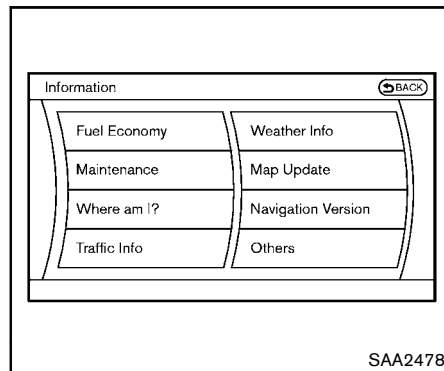
The display brightness can also be adjusted using the brightness UP button (+) or brightness DOWN button (-).

Push and hold the "☀️/🌙 OFF" button for more than 2 seconds to turn the display off. Push the button again to turn the display on.

### HOW TO USE INFO BUTTON

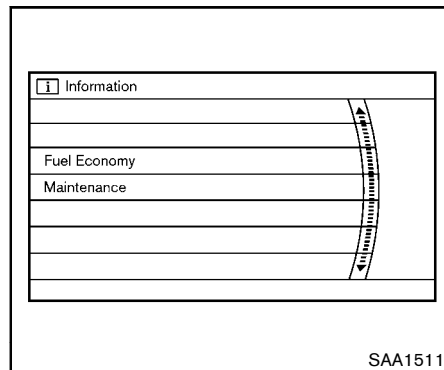
The display screen shows vehicle and navigation information for your convenience.

The information shown on the screen should be a guide to determine the condition of the vehicle. See the following for details.



SAA2478

Models with navigation system



SAA1511

Models without navigation system

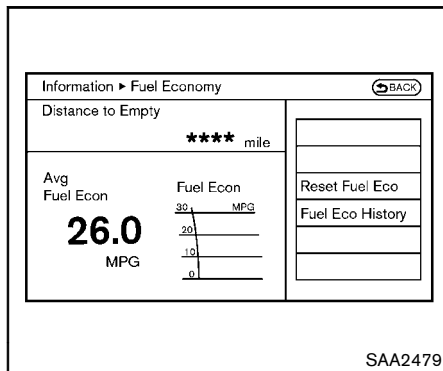
## Vehicle information display

1. Push the INFO button on the control panel.
2. Select an item from the INFO menu.
3. After viewing or adjusting the information on the following screens, push the BACK button to return to the INFO menu.

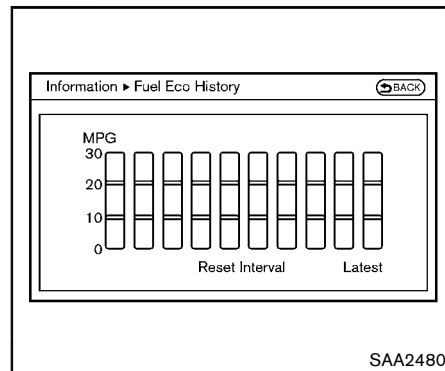
See the separate Navigation System Owner's Manual for the following items:

- Where am I?
- Traffic Info
- Weather Info
- Map Update
- Navigation Version

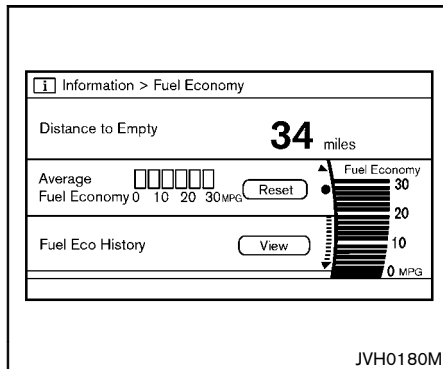
\*When the ignition switch is in the ON position, the "Navigation Version" key is displayed after selecting the "Others" key.



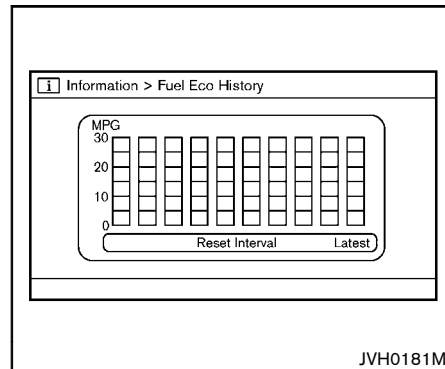
Models with navigation system



Models with navigation system



Models without navigation system



Models without navigation system

## Fuel Economy information

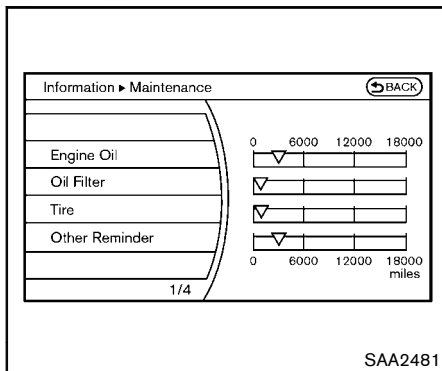
The approximate distance to empty, average fuel economy and current fuel economy will be displayed for reference.

To reset the average fuel economy (Avg Fuel Econ or Average Fuel Economy), select the "Reset Fuel Eco" or "Reset" key.

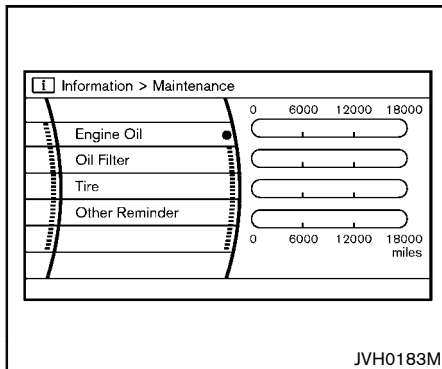
If the "Fuel Eco History" or "View" key is selected, the average fuel consumption history will be displayed in graph form along with the average for the previous Reset-to-Reset period.

The unit can be converted between "US" and "Metric". (See "How to use SETTING button" later in this section.)

The fuel economy information may differ from the information displayed on the dot matrix liquid crystal display. This is due to the timing difference in updating the information and does not indicate a malfunction.



Models with navigation system



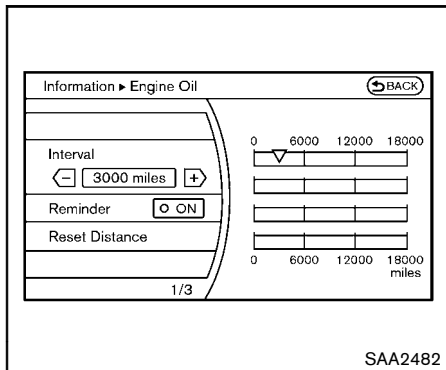
Models without navigation system

## Maintenance information

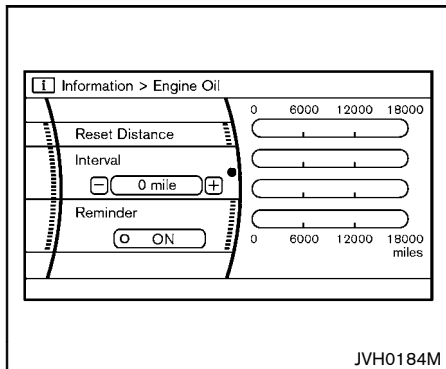
The maintenance intervals can be displayed for the engine oil, oil filter, tire and other reminders. To set a maintenance interval, select a preferred item from the list.

You can also set to display a message to remind you that the maintenance needs to be performed.

The following example shows how to set the engine oil maintenance information. Use the same steps to set the other maintenance information.



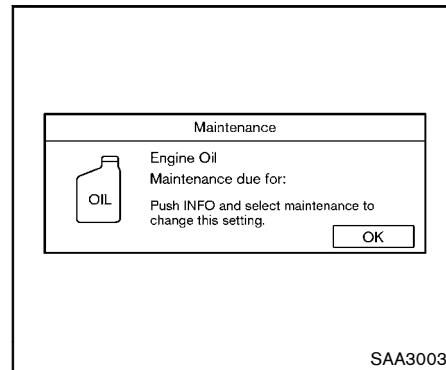
Models with navigation system



Models without navigation system

1. Set the interval (mileage) of the maintenance schedule. To determine the recommended maintenance interval, refer to your "NISSAN Service and Maintenance Guide".
2. To display the reminder automatically when the desired distance is reached, select the "Reminder" key.
3. Reset the driving distance to the new maintenance schedule.
4. To return to the previous screen, push the BACK button.

The unit can be converted between "US" and "Metric". (See "How to use SETTING button" later in this section.)



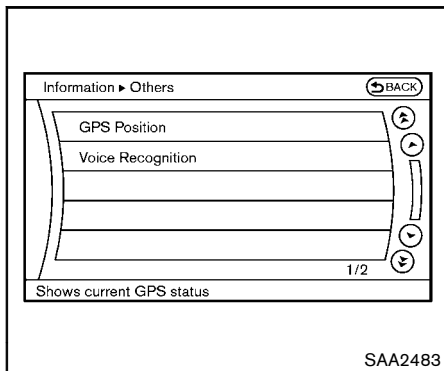
Example

The Reminder will be automatically displayed when the specified distance has been driven and every time the ignition switch is pushed to the ACC or ON position. The reminder will not appear while driving.

Select the "OK" key to hide the reminder for the rest of the current drive.

To stop the reminder from appearing, perform one of the following actions:

- Select the "Reset Distance".
- Deactivate the "Reminder".
- Increase the "Interval" distance to be more than the current distance being tracked.



Others information (models with navigation system)

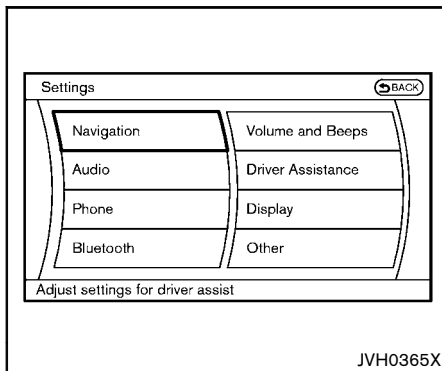
The Others information display will appear when pushing the INFO button and selecting the "Others" key.

**GPS Position:**

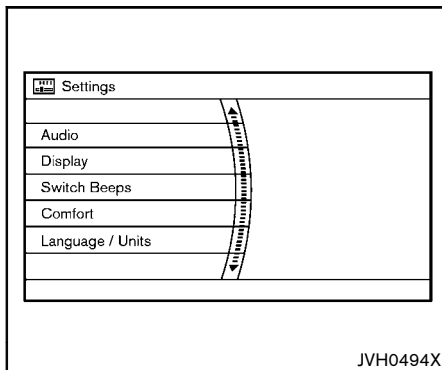
For the details of this item, see the separate Navigation System Owner's Manual.

**Voice Recognition:**

For the details of this item, see "NISSAN voice recognition system (models with navigation system)" later in this section.



**Models with navigation system**



**Models without navigation system**

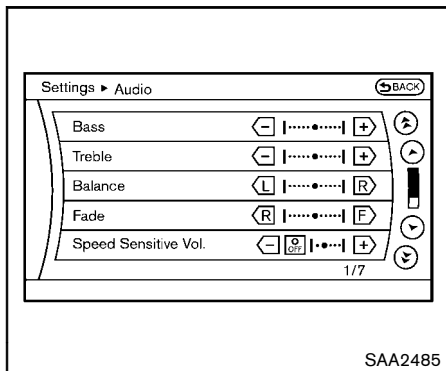
**HOW TO USE SETTING BUTTON**

The display as illustrated will appear when the SETTING button is pushed.

Items displayed on the screen may vary depending on the model.

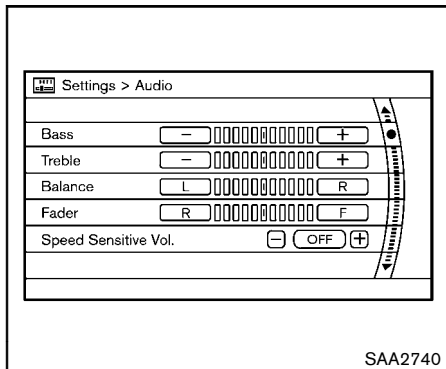
For navigation settings, refer to the separate Navigation System Owner's Manual.





SAA2485

**Models with navigation system**



SAA2740

**Models without navigation system**

## Audio settings

The display as illustrated will appear when pushing the SETTING button and selecting the "Audio" key.

### Bass/Treble/Balance/Fade:

To adjust the speaker tone quality and sound balance, select the "Bass", "Treble", "Balance" or "Fade" key and adjust it with the multi-function controller.

These items can also be adjusted by pushing and turning the AUDIO knob.

### Speed Sensitive Vol.:

The audio system's volume is increased with the vehicle speed. Select the "Speed Sensitive Vol." and adjust the effect level with the multi-function controller. The Speed Sensitive Volume function is turned off when the level is set to "OFF". Increasing the value will cause the volume to increase faster with vehicle speed.

### DivX<sup>®</sup> Registration Code (models with navigation system):

The registration code for a device that is used to download DivX<sup>®</sup> files will be displayed on the screen. If a disc is loaded or a USB memory is connected to the audio system, this function will not be activated.

### Display Album Cover Art (models with navigation system):

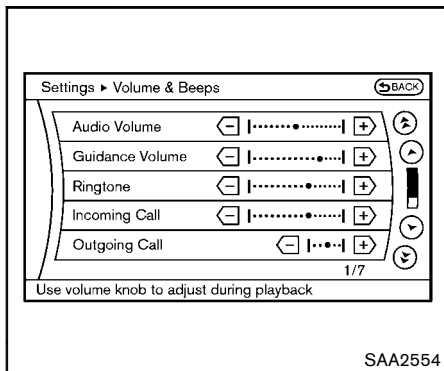
When this item is turned to ON, the album cover image is displayed when playing iPod<sup>®</sup> or MP3 music files through a CD, DVD or USB memory. When the image is not properly embedded in the file or device, the image will not be displayed.

### Phone settings (models with navigation system)

For details of the "Phone" settings, see "Bluetooth<sup>®</sup> Hands-Free Phone System (models with navigation system)" later in this section.

### Bluetooth<sup>®</sup> settings (models with navigation system)

For details of the "Bluetooth" settings, see "Bluetooth<sup>®</sup> Hands-Free Phone System (models with navigation system)" later in this section or "Bluetooth<sup>®</sup> streaming audio (models with navigation system)" later in this section.



Example

### Volume and Beeps settings (models with navigation system)

The display as illustrated will appear when pushing the SETTING button, selecting the "Volume & Beeps" key.

#### Audio Volume:

To increase or decrease the audio volume, select the "Audio Volume" and adjust it with the multi-function controller. You can also adjust the audio volume by turning the VOLUME control knob.

#### Guidance Volume:

To adjust the guidance voice volume, select the

"Guidance Volume" and adjust it with the multi-function controller.

You can also adjust the guidance voice volume by turning the VOLUME control knob while voice guidance is being announced.

#### Ringtone/Incoming Call/Outgoing Call:

For the details of these items, see "Bluetooth® Hands-Free Phone System (models with navigation system)" later in this section.

#### Switch Beeps:

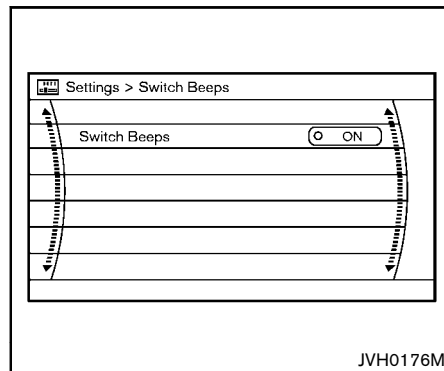
When this item is turned to ON, you will hear a beep sound when you use a button.

#### Guidance Voice:

When this item is turned to ON, you will hear voice guidance in the navigation operation or in other operations.

#### NOTE:

**When the voice guidance is being announced during audio playback, turning the volume knob does not adjust the music level; it adjusts the guidance volume level. If voice guidance is not being heard, please check the Guidance Volume level.**



JVH0176M

### Switch Beeps settings (models without navigation system)

The "Switch Beeps" screen will appear when pushing the SETTING button, selecting the "Switch Beeps" key with the multi-function controller and pushing the ENTER button.

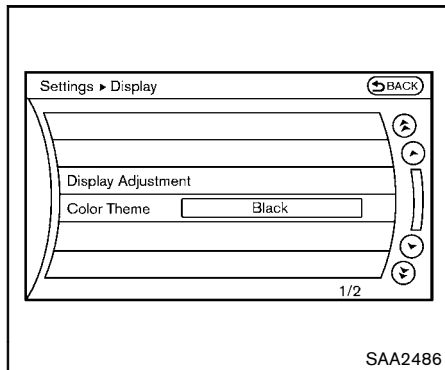
#### Switch Beeps:

When this item is turned to ON, you will hear a beep sound when you use a button.

## Driver Assistance settings (if so equipped)

For the details of the “Driver Assistance” settings, see the following items:

- “BSW system operation” in the “5. Starting and driving” section.
- “LDW system operation” in the “5. Starting and driving” section.
- “Moving Object Detection (MOD) function” later in this section.



### Display settings (models with navigation system)

The display as illustrated will appear when pushing the SETTING button and selecting the “Display” key.

#### Display Adjustment:

To adjust the display settings, select the “Display Adjustment” key. The following settings are available.

- Display

To turn off the screen, push the ENTER button and turn the “Display” indicator off. The other method is to push and hold the “\* OFF” button for more than 2 seconds.

When any mode button is pushed with the screen off, the screen turns on for further operation. The screen will turn off automatically 5 seconds after the operation is finished.

To turn on the screen, set this item to the ON position, or push and hold the “\* OFF” button.

- Brightness/Contrast/Background Color

To adjust the brightness and contrast of the screen, select the “Brightness” or “Contrast” key.

Then, you can adjust the brightness and the contrast using the multi-function controller.

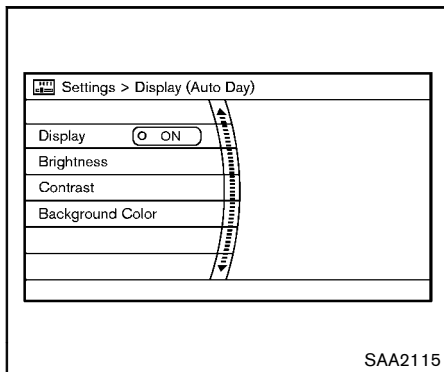
For information on the “Background Color” key, refer to the separate Navigation System Owner’s Manual.

For CrossCabriolet models:

Depending on the driver’s seat position, the display could be hard to read. Adjust the brightness and contrast of the display on the setting screen.

#### Color Theme:

Choose the theme color of the menu screen from “Black”, “Blue” or “Red”.



### Display settings (models without navigation system)

The "Display" screen will appear when pushing the SETTING button on the control panel.

#### Display:

To turn off the screen, push the ENTER button and turn the "ON" indicator off.

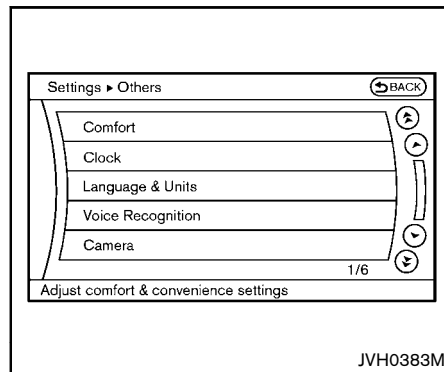
When any mode button is pushed with the screen off, the screen turns on for further operation. The screen will turn off automatically 5 seconds after the operation is finished.

To turn on the screen, set this item to the "ON" position or push the "☀️ OFF" button.

### Brightness/Contrast/Background Color:

To adjust the brightness, contrast and background color of the screen, select the appropriate "Brightness", "Contrast" or "Background Color" key and push the ENTER button.

You can then adjust the brightness and contrast using the multi-function controller. Switch the background color to the daytime mode or the nighttime mode by pushing the ENTER button.

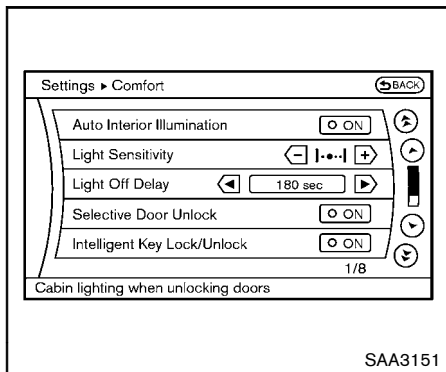


### Others settings (models with navigation system)

The Others settings display will appear when pushing the SETTING button and selecting the "Others" key.

The following items are available:

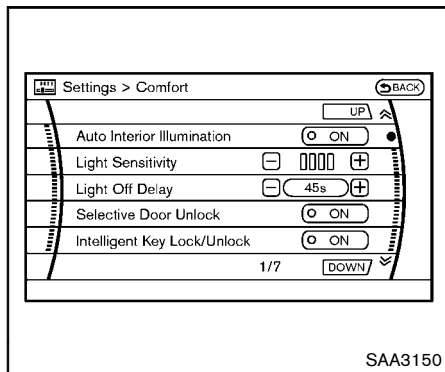
- Comfort
- Clock
- Language & Units
- Voice Recognition
- Camera
- Image Viewer



Models with navigation system

### Comfort settings

The display as illustrated will appear when pushing the SETTING button, selecting the "Others" key and then selecting the "Comfort" key. This key does not appear on the display until the ignition switch is pushed to the ON position.



Models without navigation system

The display as illustrated will appear when pushing the SETTING button and selecting the "Comfort" key. This key does not appear on the display until the ignition switch is pushed to the ON position.

#### Auto Interior Illumination:

When this item is turned to ON, the interior lights will illuminate if any door is unlocked.

#### Light Sensitivity:

Adjust the sensitivity of the automatic headlights higher (right) or lower (left).

#### Lift Steering Wheel on Exit (if so equipped):

When this item is turned to ON, the steering wheel moves upward for easy exit if the ignition switch is in the LOCK position and the driver's door is opened. After getting into the vehicle and pushing the ignition switch to the ACC position, the steering wheel moves to the previous position.

#### Slide Driver Seat Back on Exit (if so equipped):

When this item is turned to ON, the driver's seat moves backward for easy exit if the ignition switch is in the OFF position and the driver's door is opened. After getting into the vehicle and pushing the ignition switch to the ACC position, the driver's seat moves to the previous position.

#### Light Off Delay:

Choose the duration of the automatic headlight off timer from 0, 30, 45, 60, 90, 120, 150 and 180 second periods.

#### Selective Door Unlock:

When this item is turned to ON, only the driver's door is unlocked first after the door unlock operation. When the door handle request switch on the driver's or front passenger's side door is pushed to be unlocked, only the corresponding door is unlocked first. All the doors can be

unlocked if the door unlock operation is performed again within 60 seconds.

When this item is turned to OFF, all the doors will be unlocked after the door unlock operation is performed once.

### Intelligent Key Lock/Unlock:

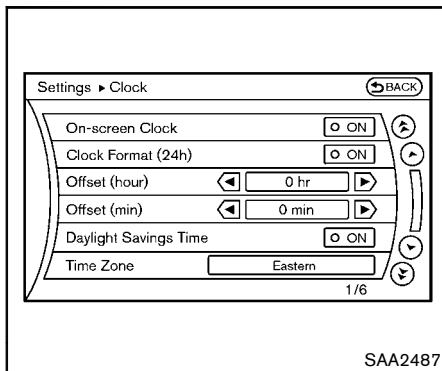
When this item is turned to ON, door lock/unlock function by pushing the door handle request switch will be activated.

### Return All Settings to Default:

Select this item and then select "YES" to return all settings to the default.

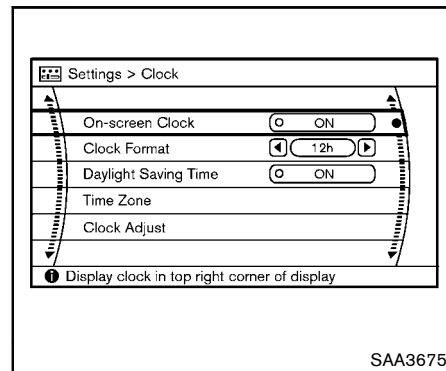
## Clock settings

The clock settings display cannot be operated while driving. Stop the vehicle in a safe place and apply the parking brake before setting the clock.



Models with navigation system

The display as illustrated will appear when pushing the SETTING button and selecting the "Others" key, and then selecting the "Clock" key.



Models without navigation system

The display as illustrated will appear when pushing the SETTING button and selecting the "Clock" key.

### On-screen Clock:

When this item is turned to ON, a clock is always displayed in the upper right corner of the screen.

This clock will indicate the time almost exactly because it is always adjusted by the GPS system (models with navigation system).

### Clock Format (24h):

When this item is turned to ON, the 24-hour clock is displayed. When this item is not turned

to ON, the 12-hour clock is displayed.

**Offset (hour)/(min) (models with navigation system)/Clock Adjust (models without navigation system):**

Adjust the time by increasing or decreasing per hour or per minute.

**Daylight Saving Time:**

Turn this item to ON for daylight saving time application.

**Time Zone:**

Choose the time zone from the following

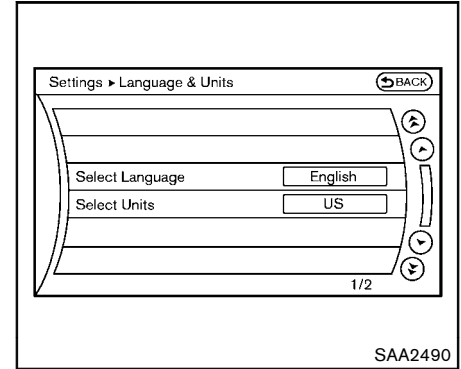
Models with navigation system

- Pacific
- Mountain
- Central
- Eastern
- Atlantic
- Newfoundland
- Hawaii
- Alaska

Models without navigation system

- Eniwetok, Kwajalein
- Midway Island, Samoa
- Hawaii
- Alaska

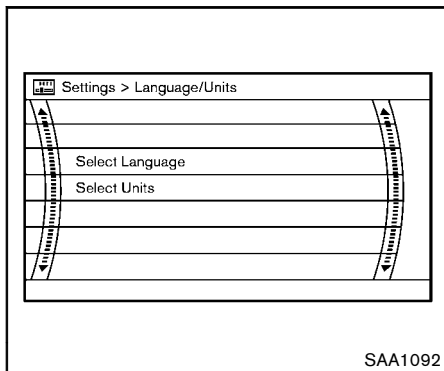
- Pacific



**Models with navigation system**

**Language & Units settings**

The Language & Units settings display will appear when pushing the SETTING button, selecting the "Others" key, and then selecting the "Language & Units" key.



**Models without navigation system**

The display illustrated will appear when pushing the SETTING button and selecting the “Language & Units” key.

**Select Language:**

Select the “Select Language” key. Choose “English”, “Français” or “Español” for your favorite display appearance.

If you select the “Français” key, the French language will be displayed, so please use the French Owner’s Manual. To obtain a French Owner’s Manual, see “Owner’s Manual/Service Manual order information” in the “9. Technical and consumer information” section.

**Select Units:**

Select the “Select Units” key. Choose “US” (Mile, °F, MPG) or “Metric” (km, °C, L/100 km) for your favorite display appearance.

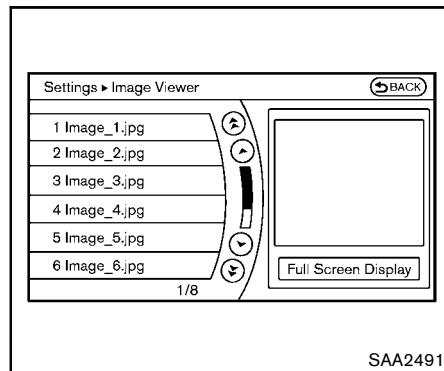
**Voice Recognition settings (models with navigation system)**

For details about the “Voice Recognition” settings, see “NISSAN voice recognition system (models with navigation system)” later in this section.

**CAMERA settings (if so equipped)**

The “CAMERA” screen will appear when selecting the “Camera” key.

For the details about the camera system operation, see “RearView monitor” later in this section.



**Image Viewer (models with navigation system)**

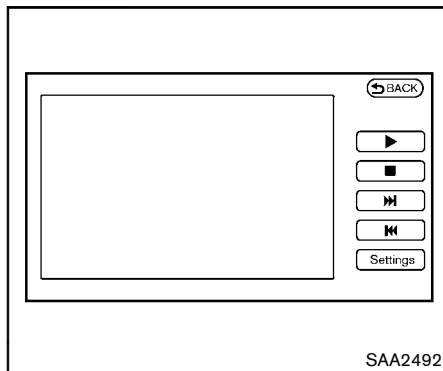
The image files in the USB memory will be displayed. To display the Image Viewer, push the SETTING button, select the “Other” key and then select the “Image Viewer” key. The image of the selected file is displayed on the right side of the screen.

When a number of folders are included in the USB memory, select a folder from the list to display the file list.

Images will not be shown on the display while the vehicle is in any drive position to reduce driver distraction. To view images, stop the







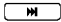
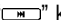
vehicle in a safe location and apply the parking brake.


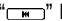


#### Full Screen Display:

The full screen display will appear when selecting the "Full Screen Display" key.

To operate the Image Viewer or to change the settings, select the desired key using the multi-function controller.

-  (Start)  
Select the "" key to start playing the slideshow.
-  (Stop)  
Select the "" key to stop the slideshow.
-  (Next)  
Select the "" key to display the next file.

-  (Previous)  
Select the "" key to display the previous file.

#### Setting the Image Viewer:

The Image Viewer setting display will appear when selecting the "Settings" key on the full screen display. The following settings are available for the full screen display.

- Slideshow Speed  
Select the "Slideshow Speed" key. From the following display, select the changing time from 5, 10, 30, 60 seconds or "No Auto Change".
- Slideshow Order  
Select the "Slideshow Order" key. From the following display, select "Random" or "Order List". For "Order List", the image order is the order of the files as stored on the USB memory.

#### Operating tips:

- Only files that meet the following conditions will be displayed.
  - Image type: JPEG
  - File Extensions: \*.jpg, \*jpeg
  - Maximum Resolution: 2048 × 1536 pixels

## REARVIEW MONITOR (if so equipped)

- Maximum Size: 2-MB
- Colors: 32768 (15-bit)
- Maximum File Name lengths: 253-Bytes
- Maximum Folders: 500
- Maximum Images per Folder: 1024
- If an electronic device (such as a digital camera) is directly connected to the vehicle using a USB cable, no image will be displayed on the screen.
- If the file name is too long, some file names may not be entirely displayed.
- When the total number of characters in the file name exceeds 100 or if 1 file name in a directory exceeds 100 characters, all files will show a shortened 8-character version. The image will still be displayed when selected.

The system is designed as an aid to the driver in situations such as slot parking or parallel parking.

When the shift lever is shifted into the R (Reverse) position, the monitor display shows a rearward view from the vehicle.



### WARNING

- **The RearView Monitor is a convenience but it is not a substitute to check behind the vehicle when backing up.**
- **The driver is always responsible for safety during parking and other maneuvers.**
- **Objects viewed in the RearView Monitor differ from actual distance because a wide-angle lens is used. Objects in the RearView Monitor will appear visually opposite than when viewed in the rearview and outside mirrors.**
- **Make sure that the lift gate or trunk is securely closed when backing up.**
- **Underneath the bumper and the corner areas of the bumper cannot be viewed on the RearView Monitor**

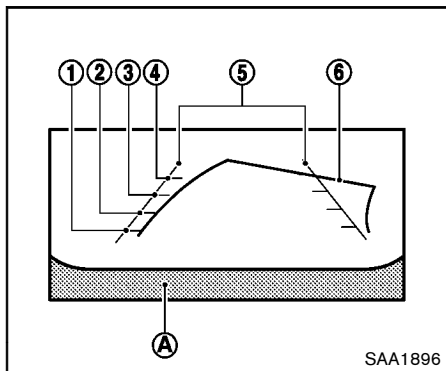
**because of its monitoring range limitation.**

- **Do not put anything on the RearView camera. The RearView camera is installed above the license plate.**
- **When washing the vehicle with high-pressure water, be sure not to spray it around the camera. Otherwise, water may enter the camera unit causing water condensation on the lens, a malfunction, fire or an electric shock.**
- **Do not strike the camera. It is a precision instrument. Otherwise, it may malfunction or cause damage resulting in a fire or an electric shock.**



### CAUTION

**Do not scratch the camera lens when cleaning dirt or snow from the lens.**



## HOW TO READ THE DISPLAYED LINES

Guiding lines which indicate the vehicle width and distances to objects with reference to the vehicle body line (A) are displayed on the monitor.

### Distance guide lines:

Indicate distances from the bumper.

- Red line ① : approx. 1.5 ft (0.5 m)
- Yellow line ② : approx. 3 ft (1 m)
- Green line ③ : approx. 7 ft (2 m)
- Green line ④ : approx. 10 ft (3 m)

### Vehicle width guide lines ⑤ :

Indicate the vehicle width when backing up.

### Predictive course lines ⑥ :

Indicate the predictive course when backing up. The predictive course lines will be displayed on the monitor when the shift lever is in the R (Reverse) position and the steering wheel is turned. The predictive course lines will move depending on how much the steering wheel is turned and will not be displayed while the steering wheel is in the neutral position.

## HOW TO PARK WITH PREDICTIVE COURSE LINES



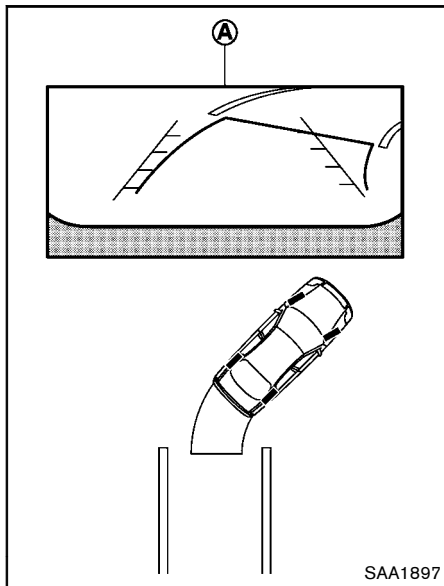
## WARNING

- **Always turn and check that it is safe to do so before backing up. Always back up slowly.**
- **Use the displayed lines as a reference. The lines are highly affected by the number of occupants, fuel level, vehicle position, road condition and road grade.**
- **If the tires are replaced with different sized tires, the predictive course line may be displayed incorrectly.**
- **On a snow-covered or slippery road, there may be a difference between the predictive course line and the**

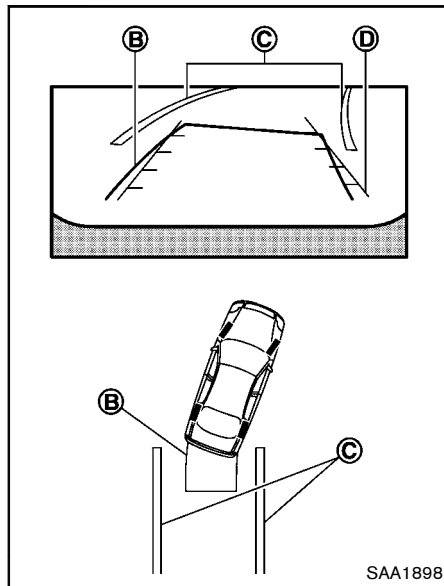
**actual course line.**

- **The displayed lines will appear slightly off to the right because the RearView camera is not installed in the rear center of the vehicle.**
- **The distance guide line and the vehicle width line should be used as a reference only when the vehicle is on a level paved surface. The distance viewed on the monitor is for reference only and may be different than the actual distance between the vehicle and displayed objects.**
- **When backing-up the vehicle up a hill objects viewed in the monitor are further than they appear. When backing-up the vehicle down a hill, objects viewed in the monitor are closer than they appear. Use the inside mirror or glance over your shoulder to properly judge distances to other objects.**

**The vehicle width and predictive course lines are wider than the actual width and course.**

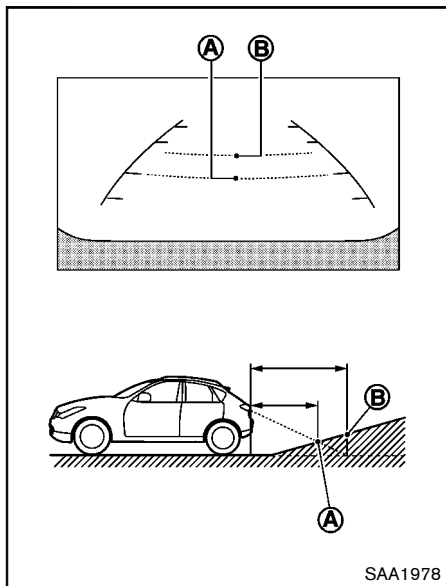


1. Visually check that the parking space is safe before parking your vehicle.
2. The rear view of the vehicle is displayed on the screen **(A)** when the shift lever is moved to the R (Reverse) position.



3. Slowly back up the vehicle adjusting the steering wheel so that the predictive course lines **(B)** enter the parking space **(C)**.
4. Maneuver the steering wheel to make the vehicle width guide lines **(D)** parallel to the parking space **(C)** while referring to the predictive course lines.

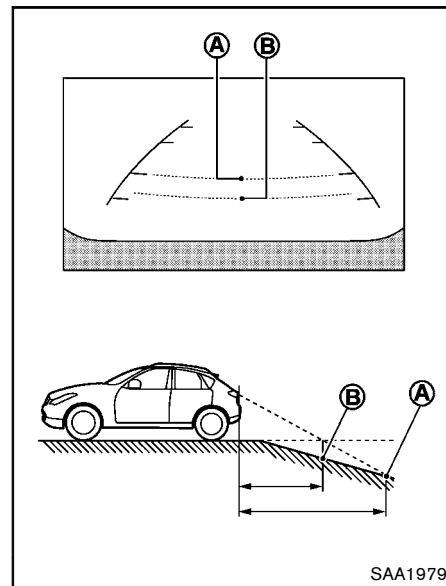
5. When the vehicle is parked in the space completely, move the shift lever to the P (Park) position and apply the parking brake.



## DIFFERENCE BETWEEN PREDICTIVE AND ACTUAL DISTANCES

### Backing up on a steep uphill

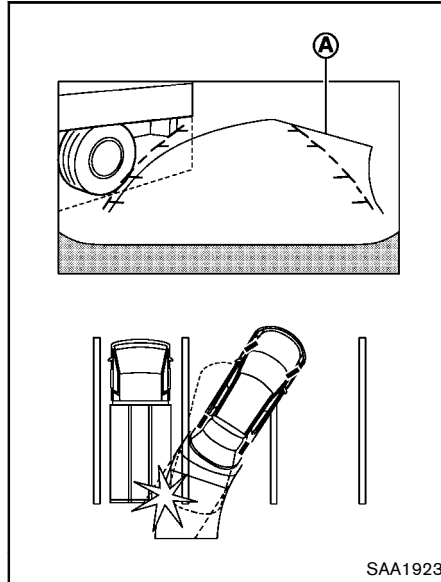
When backing up the vehicle up a hill, the distance guide lines and the vehicle width guide lines are shown closer than the actual distance. For example, the display shows 3 ft (1 m) to the place **(A)** , but the actual 3 ft (1 m) distance on the hill is the place **(B)** . Note that any object on the hill is viewed in the monitor further than it appears.



### Backing up on a steep downhill

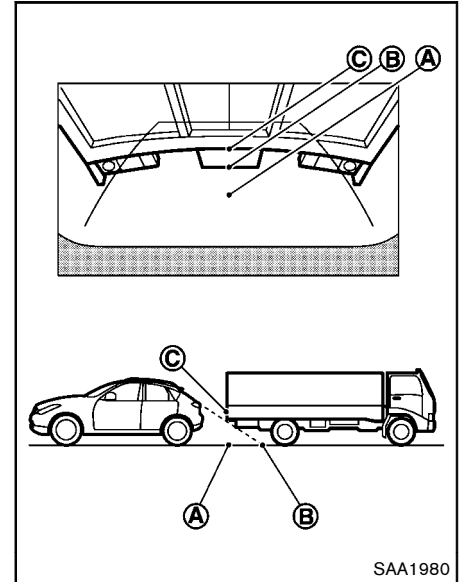
When backing up the vehicle down a hill, the distance guide lines and the vehicle width guide lines are shown further than the actual distance. For example, the display shows 3 ft (1 m) to the place **(A)** , but the actual 3 ft (1 m) distance on the hill is the place **(B)** . Note that any object on

the hill is viewed in the monitor closer than it appears.



#### Backing up near a projecting object

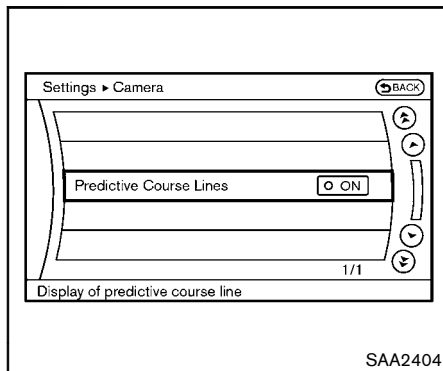
The predictive course lines (A) do not touch the object in the display. However, the vehicle may hit the object if it projects over the actual backing up course.



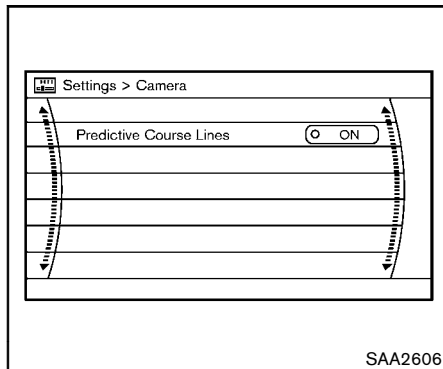
#### Backing up behind a projecting object

The position (C) is shown further than the position (B) in the display. However, the position (C) is actually at the same distance as the position (A). The vehicle may hit the object when backing up to the position (A) if the object projects over the actual backing up

course.



Models with navigation system



Models without navigation system

## PREDICTIVE COURSE LINE SETTINGS

To turn ON or OFF the predictive course line display, push the SETTING button, select the "Camera" key and push the ENTER button.

- Predictive Course Lines

When this item is turned to ON, the predictive course lines will be displayed on the monitor when the shift lever is in the "R" (Reverse) position.

## HOW TO ADJUST THE SCREEN

To adjust the Display ON/OFF, Brightness, Tint, Color, Contrast and Black Level of the RearView Monitor, push the SETTING button with the RearView Monitor on, select the item key and adjust the level using the multi-function controller.

Do not adjust the Brightness, Tint, Color, Contrast and Black Level of the RearView Monitor while the vehicle is moving. Make sure the parking brake is firmly applied.

## OPERATING TIPS

- When the shift lever is shifted to the R (Reverse) position, the monitor screen automatically changes to the RearView Monitor mode. However, the radio can be heard.
- When the view is switched, the display images on the screen may be displayed with some delay.

- When the temperature is extremely high or low, the screen may not clearly display objects. This is not a malfunction.
- When strong light is directly coming on the camera, objects may not be displayed clearly. This is not a malfunction.
- Vertical lines may be seen in objects on the screen. This is due to strong reflected light from the bumper. This is not a malfunction.
- The screen may flicker under fluorescent light. This is not a malfunction.
- The colors of objects on the RearView Monitor may differ somewhat from the actual color of objects. This is not a malfunction.
- Objects on the monitor may not be clear in a dark environment. This is not a malfunction.
- If dirt, rain or snow accumulates on the camera, the RearView Monitor may not display object clearly. Clean the camera.
- Do not use alcohol, benzine or thinner to clean the camera. This will cause discoloration. To clean the camera, wipe with a cloth dampened with diluted mild cleaning agent and then wipe with a dry cloth.
- Do not damage the camera as the monitor screen may be adversely affected.
- Do not use wax on the camera window. Wipe off any wax with a clean cloth dampened with mild detergent diluted with

water.



## **REAR AND REAR-WIDE VIEW MONITOR WITH MOVING OBJECT DETECTION (MOD) (if so equipped)**

When the shift lever is shifted into the R (Reverse) position, the monitor display shows view to the rear of the vehicle.

The system is designed as an aid to the driver in detecting large stationary objects to help avoid damaging the vehicle. The system will not detect small objects below the bumper and may not detect objects close to the bumper or on the ground.

### **Available views:**

- Rear View  
An approximately 150-degree view of the rear of the vehicle.
- Rear-Wide View  
An approximately 180-degree view of the rear of the vehicle.



### **WARNING**

- **The RearView Monitor is a convenience but it is not a substitute for proper backing up. Always turn and check that it is safe to do so before backing up. Always back up slowly.**
- **Objects viewed in the RearView Monitor differ from actual distance because a wide-angle lens is used. Objects viewed in the RearView**

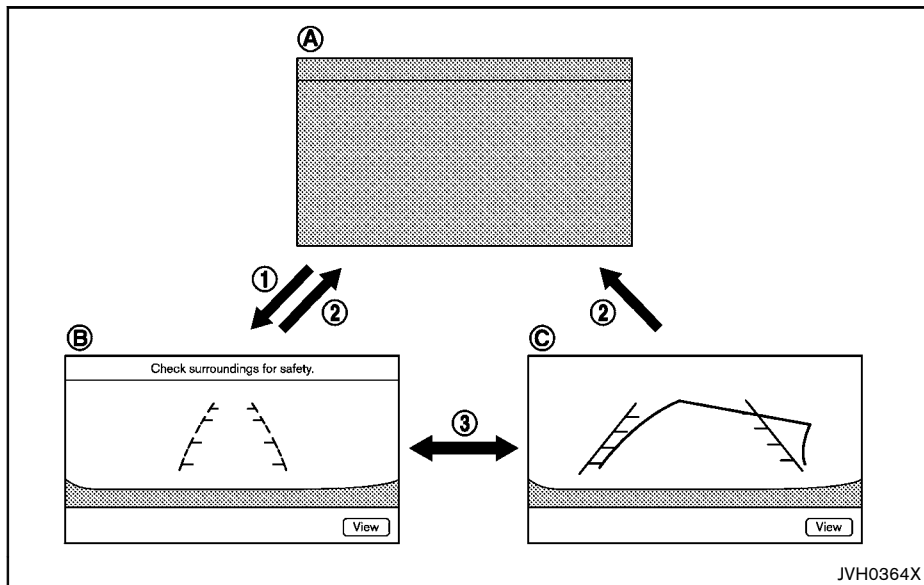
**Monitor appear visually opposite, just like ones viewed in the inside and outside rearview mirrors.**

- **Make sure that the lift gate is securely closed when backing up.**
- **Underneath the bumper and the corner areas of the bumper cannot be viewed on the RearView Monitor because of its monitoring range limitation.**
- **Do not put anything on the RearView camera. The RearView camera is installed above the license plate.**
- **When washing the vehicle with high-pressure water, be sure not to spray it around the camera. Otherwise, water may enter the camera unit causing water condensation on the lens, a malfunction, fire or an electric shock.**
- **Do not strike the camera. It is a precision instrument. Otherwise, it may malfunction or cause damage resulting in a fire or an electric shock.**



### **CAUTION**

**Do not scratch the camera lens when cleaning dirt or snow from the camera lens.**



### HOW TO SWITCH THE DISPLAY

Ⓐ : Original screen before the RearView Monitor is operated

Ⓑ : Rear-wide view screen

Ⓒ : Rear view screen

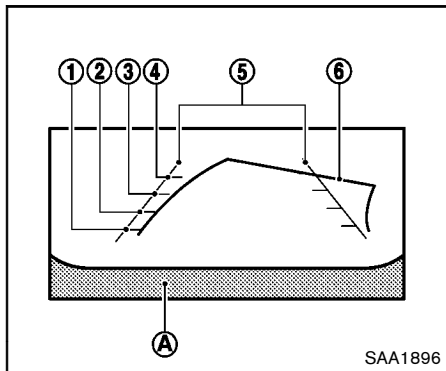
① : Shift lever is moved into the R(Reverse)

position

② : Shift lever is moved out of the R (Reverse) position

③ : Select the "View" key on the screen

- When the shift lever is moved into the R (Reverse) position ① while another screen Ⓐ is displayed, RearView Monitor operates and the rear-wide view Ⓑ is displayed.
- When selecting the "View" key on the screen using the multi-function controller and pushing the ENTER button ③, the view on the screen will change to the rearview screen Ⓒ. When the "View" key is pushed again ③, the rear-wide view Ⓑ is displayed.
- The rear-wide view screen and/or rear view screen switches to another screen Ⓐ when the shift lever is moved out of the R (Reverse) position ②.



### Rear view

Guiding lines which indicate the vehicle width and distances to objects with reference to the bumper line (A) are displayed on the monitor.

#### Distance guide lines:

Indicate distances from the bumper.

- Red line ① : approx. 1.5 ft (0.5 m)
- Yellow line ② : approx. 3 ft (1 m)
- Green line ③ : approx. 7 ft (2 m)
- Green line ④ : approx. 10 ft (3 m)

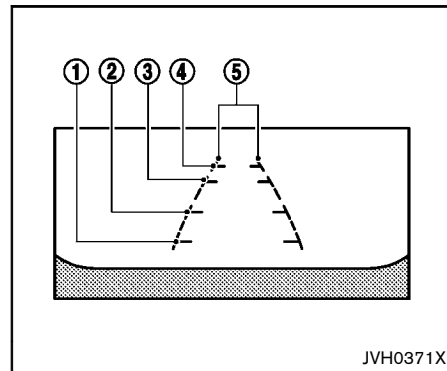
#### Vehicle width guide lines ⑤ :

Indicate the vehicle width when backing up.

#### Predictive course lines ⑥ (Rear view)

#### only):

Indicate the predictive course when backing up. The predictive course lines will be displayed on the monitor when the shift lever is in the R (Reverse) position and the steering wheel is turned. The predictive course lines will move depending on how much the steering wheel is turned and will not be displayed while the steering wheel is in the neutral position.



### Rear-wide view

The rear-wide view displays an approximately 180-degree area. The predictive course lines are not displayed on the rear-wide view.

#### Distance guide lines:

Indicates distances from the bumper.

- Red line ① : approx. 1.5 ft (0.5 m)
- Yellow line ② : approx. 3 ft (1 m)
- Green line ③ : approx. 7 ft (2 m)
- Green line ④ : approx. 10 ft (3 m)

#### Vehicle width guide lines ⑤ :

Indicates the vehicle width when backing up.

## HOW TO PARK WITH PREDICTIVE COURSE LINES



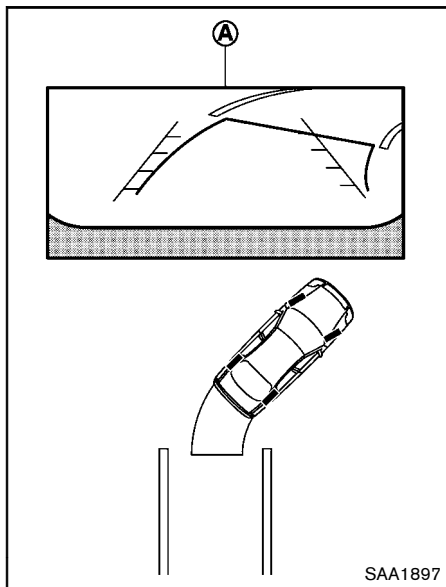
### WARNING

- Always turn and check that it is safe to park your car before backing up. Always back up slowly.
- Use the displayed lines as a reference. The lines are highly affected by the number of occupants, fuel level, vehicle position, road condition and road grade.
- If the tires are replaced with different sized tires, the predictive course line may not be displayed correctly.
- On a snow-covered or slippery road, there may be a difference between the predictive course line and the actual course line.
- If the battery is disconnected or becomes discharged, the predictive course lines may not be displayed correctly. If this occurs, perform the following procedures.
  - Drive the vehicle on a straight road for more than 5 minutes.

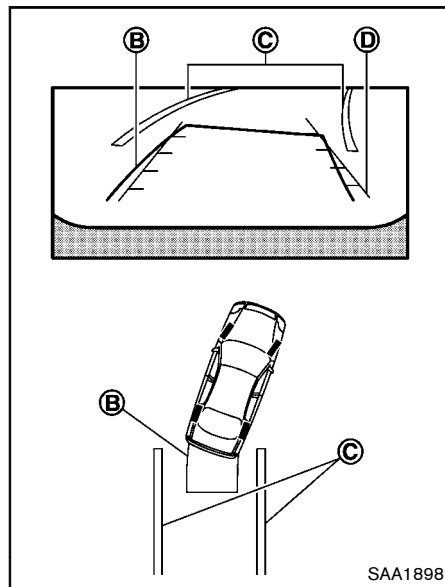
- When the steering wheel is turned with the ignition switch in the “ACC” position, the predictive course lines may not be displayed correctly.
- The displayed lines will appear slightly off to the right because the RearView camera is not installed in the rear center of the vehicle.
- The distance guide line and the vehicle width guide line should be used as a reference only when the vehicle is on a level paved surface. The distance viewed on the monitor is for reference only and may be different than the actual distance between the vehicle and displayed objects.
- When backing up the vehicle up a hill, objects viewed in the monitor are further than they appear. When backing up the vehicle down a hill, objects viewed in the monitor are closer than they appear. Use the inside mirror or glance over your shoulder to properly judge distances to other objects.

course.

The vehicle width and predictive course lines are wider than the actual width and

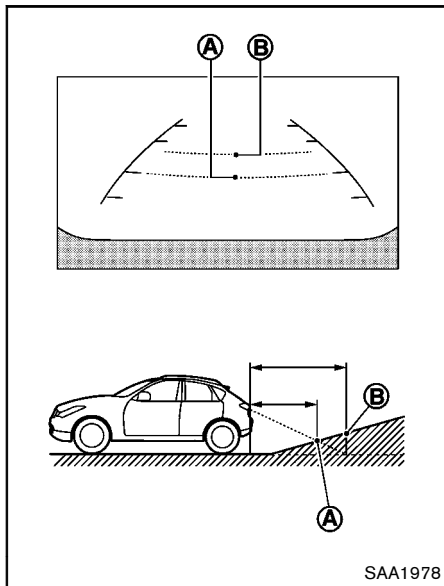


1. Visually check that the parking space is safe before parking your vehicle.
2. The rear view of the vehicle is displayed on the screen (A) as illustrated when the shift lever is moved to the R (Reverse) position.



3. Slowly back up the vehicle adjusting the steering wheel so that the predictive course lines (B) enter the parking space (C) .
4. Maneuver the steering wheel to make the vehicle width guide lines (D) parallel to the parking space (C) while referring to the predictive course lines.

5. When the vehicle is parked in the space completely, move the shift lever to the P (Park) position and apply the parking brake.

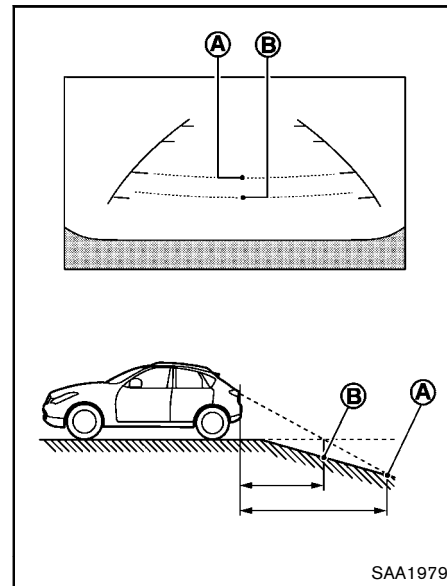


Difference between predictive and actual distances

**Backing up on a steep uphill:**

When backing up the vehicle up a hill, the distance guide lines and the vehicle width guide lines are shown closer than the actual distance.

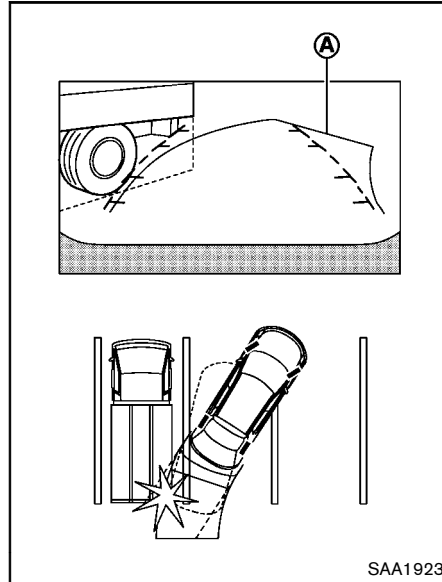
For example, the display shows 3 ft (1 m) to the place ①, but the actual 3 ft (1 m) distance on the hill is the place ②. Note that any object on the hill is viewed in the monitor further than it appears.



**Backing up on a steep downhill:**

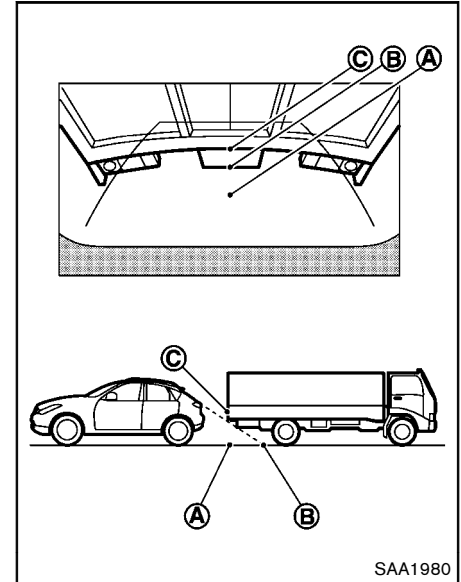
When backing up the vehicle down a hill, the distance guide lines and the vehicle width guide lines are shown further than the actual distance. For example, the display shows 3 ft (1 m) to the place ①, but the actual 3 ft (1 m) distance on the hill is the place ②. Note that any object on

the hill is viewed in the monitor closer than it appears.



#### Backing up near a projecting object:

The predictive course lines **A** do not touch the object in the display. However, the vehicle may hit the object if it projects over the actual backing up course.



#### Backing up behind a projecting object:

The position **C** is shown further than the position **B** in the display. However, the position **C** is actually at the same distance as the position **A**. The vehicle may hit the object when backing up to the position **A** if the object projects over the actual backing up

course.

## HOW TO ADJUST THE SCREEN

To adjust the Display ON/OFF, Brightness, Tint, Color, Contrast and Black Level of the RearView Monitor, push the SETTING button with the RearView Monitor on, select the item key and adjust the level using the multi-function controller.

Do not adjust the Brightness, Tint, Color, Contrast and Black Level of the RearView Monitor while the vehicle is moving. Make sure the parking brake is firmly applied.

## OPERATING TIPS

- When the shift lever is shifted to the R (Reverse) position, the monitor screen automatically changes to the RearView Monitor mode. However, the radio can be heard.
- When the temperature is extremely high or low, the screen may not clearly display objects. This is not a malfunction.
- When strong light directly enters the camera, objects may not be displayed clearly. This is not a malfunction.
- Vertical lines may be seen in objects on the screen. This is due to strong reflected light from the bumper. This is not a malfunction.
- The screen may flicker under fluorescent light. This is not a malfunction.

- The colors of objects on the RearView Monitor may differ somewhat from the actual color of objects. This is not a malfunction.
- Objects on the monitor may not be clear in a dark environment. This is not a malfunction.
- If dirt, rain or snow accumulates on the camera, the RearView Monitor may not display object clearly. Clean the camera.
- Do not use alcohol, benzine or thinner to clean the camera. This will cause discoloration. To clean the camera, wipe with a cloth dampened with diluted mild cleaning agent and then wipe with a dry cloth.
- Do not damage the camera as the monitor screen may be adversely affected.
- Do not use wax on the camera window. Wipe off any wax with a clean cloth dampened with mild detergent diluted with water.
- The MOD system will not operate if the washer fluid is at a low level. Refill the washer fluid if the level is low. (See “Window washer fluid” in the “8. Maintenance and do-it-yourself” section.)

## MOVING OBJECT DETECTION (MOD) FUNCTION

The Moving Object Detection (MOD) system can inform the driver of moving objects when driving out of garages, maneuvering into parking lots and in other such instances.

The MOD system detects moving objects by using image processing technology on the image shown in the display. The RearView camera is equipped with the automatic washer function using window washer fluid.

When the shift lever is in the R (Reverse) position and the vehicle speed is approximately 5 MPH (8 km/h) or less, the MOD system detects moving objects in the RearView Monitor. The MOD system will not operate if the lift gate/trunk is open or the washer fluid is at a low level.



## WARNING

- **The MOD system is not a substitute for proper vehicle operation and does not prevent contact with the objects surrounding the vehicle. When maneuvering, always use the outside mirror and RearView mirror and turn and look to check the surroundings to make sure it is safe to maneuver.**



- **The MOD system is not designed to detect surrounding stationary objects.**

If the MOD system detects moving objects behind the vehicle, a yellow frame will be displayed on the camera image and a chime sounds.

When the MOD system detects a moving object behind the vehicle, the yellow frame will be displayed on the view where the objects are detected and a chime will sound once. While the MOD system continues to detect moving objects, the yellow frame continues to be displayed.

When dirt is detected on the camera during driving, a camera washer operates automatically. The washer will stop operation after a period of time.



## **WARNING**

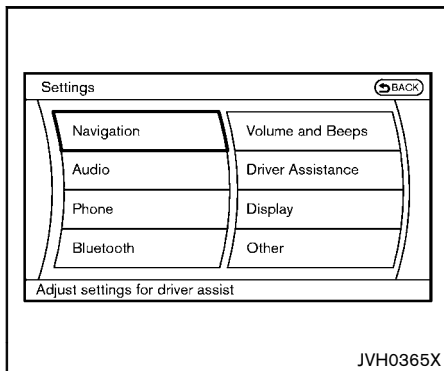
- **Do not use the MOD system when towing a trailer. The system may not function properly.**
- **Excessive noise (for example, audio system volume or open vehicle window) will interfere with the**

chime sound, and it may not be heard.

- **The MOD system performance will be limited according to environmental conditions and surrounding objects such as:**
  - **When there is low contrast between background and the moving objects**
  - **When there is blinking source of light.**
  - **When strong light such as another vehicle's headlight or sunlight is present.**
  - **When there is dirt, water drops or snow on the camera lens.**
  - **When the position of the moving objects in the display is not changed.**
- **The MOD system might detect something like flowing water droplets on the camera lens, white smoke from the muffler, moving shadows, etc.**
- **The MOD system may not function properly depending on the speed, direction, distance or shape of the**

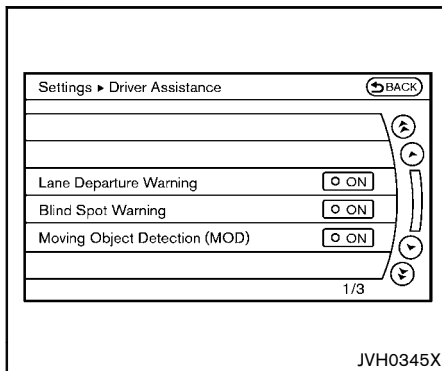
moving objects.

- **If your vehicle sustains damage to the parts where the camera is installed, leaving it misaligned or bent, the sensing zone may be altered and the MOD system may not detect objects properly.**

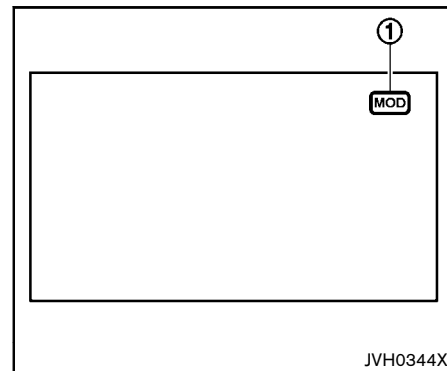


### Turning the MOD system on or off

1. Push the SETTING button, select the "Driver Assistance" key and push the ENTER button.



2. Then select the "Moving Object Detection (MOD)" key and push the ENTER button.



When the MOD system is turned on, the MOD icon ① is displayed.

### MOD malfunction

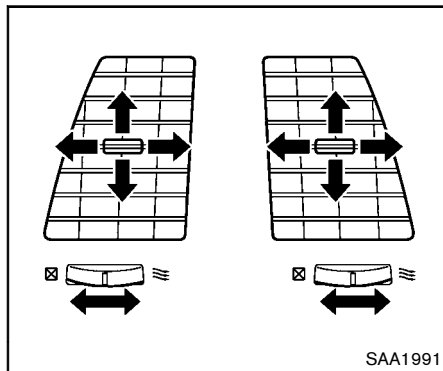
When the yellow MOD icon is displayed in the view, the system is not functioning properly. This will not hinder normal driving operation but the system should be inspected by a NISSAN dealer.

## VENTILATORS

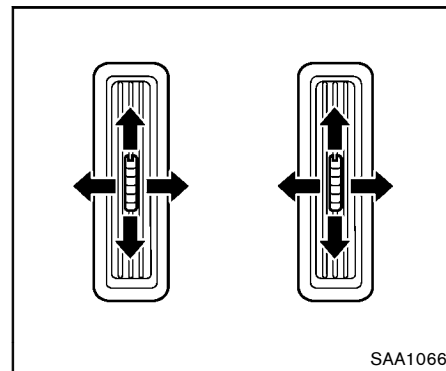
### Camera maintenance

If dirt, rain or snow accumulates on the camera, the MOD system may not operate properly. Clean the camera.

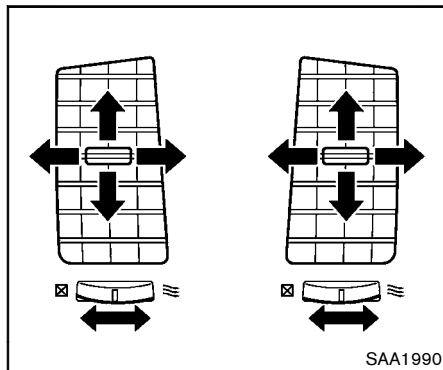
The camera washer operates automatically when dirt is detected on the camera during driving. The washer then stops operation after a period of time.



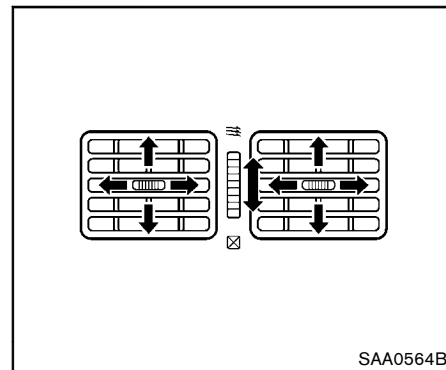
Center ventilators



Rear ventilators (for Hardtop models)



Side ventilators



Rear ventilators (for CrossCabriolet models)

## HEATER AND AIR CONDITIONER

Open or close, and adjust the air flow direction of ventilators.

☒ : This symbol indicates that the ventilators are closed.

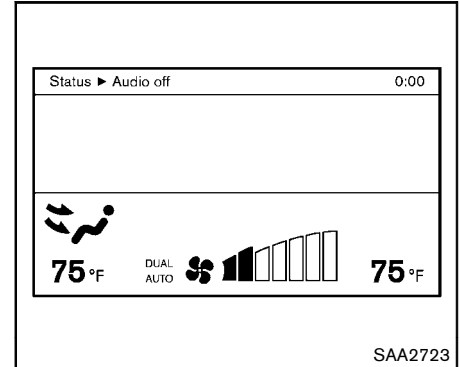
≡ : This symbol indicates that the ventilators are open.

### WARNING

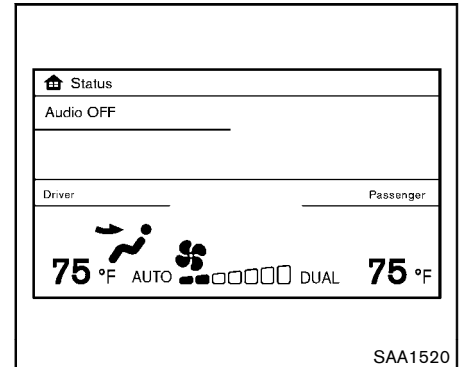
- **The air conditioner cooling function operates only when the engine is running.**
- **Do not leave children or adults who would normally require the support of others alone in your vehicle. Pets should not be left alone either. On hot, sunny days, temperatures in a closed vehicle could quickly become high enough to cause severe or possibly fatal injuries to people or animals.**
- **Do not use the recirculation mode for long periods as it may cause the interior air to become stale and the windows to fog up.**

Start the engine and operate the heater and air conditioner system.

You can individually set the driver and front passenger side temperature using each temperature control buttons.

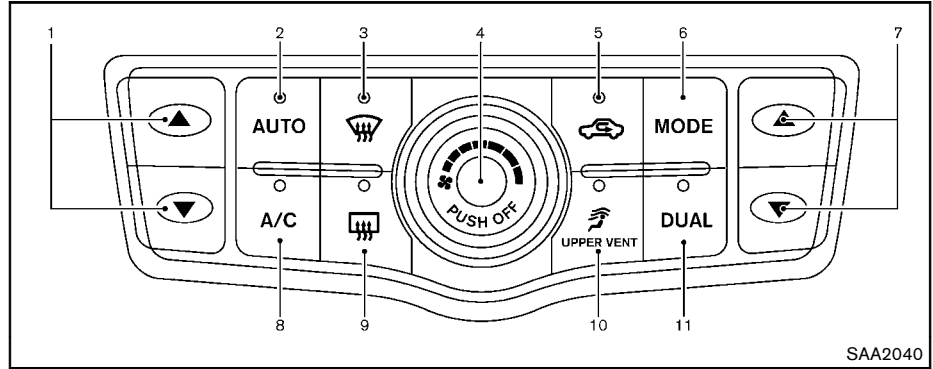


Models with navigation system



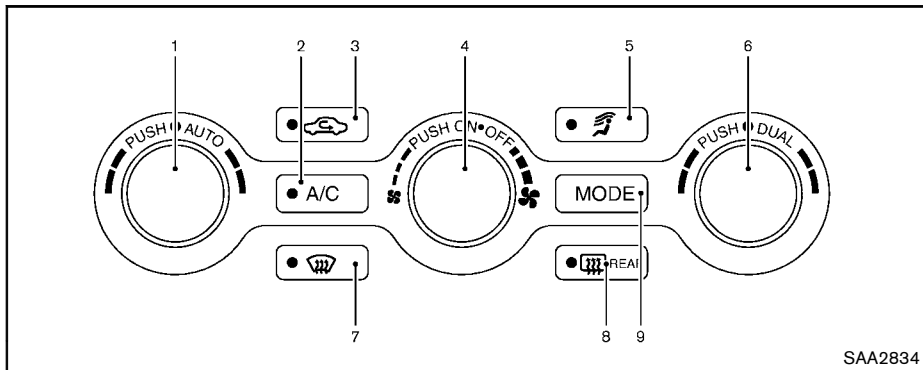
Models without navigation system

For the models with the color display screen, push the "STATUS" button to display the heater and air conditioner status screen. (See "How to use STATUS button" earlier in this section.)



Type A

1. Temperature control button (driver side)
2. "AUTO" automatic air conditioner ON button
3. " " front defroster button
4. " " fan speed control dial/OFF button
5. " " intake air control button
6. "MODE" manual air flow control button
7. Temperature control button (passenger side)
8. "A/C" air conditioner ON/OFF button
9. " " rear window defroster button (See "Rear window and outside mirror defroster switch" in the "2. Instruments and controls" section.)
10. " " upper vent system button
11. "DUAL" zone control ON/OFF button



**Type B**

1. "AUTO" automatic air conditioner ON button/ Temperature control dial (driver side)
2. "A/C" air conditioner ON/OFF button
3. " " intake air control button
4. " " fan speed control dial/ON/OFF button
5. " " upper vent system button
6. "DUAL" zone control ON/OFF button/Temperature control dial (passenger side)
7. " " front defroster button
8. " " rear window defroster button (See "Rear window and outside mirror defroster switch" in the "2. Instruments and controls" section.)
9. "MODE" manual air flow control button

## AUTOMATIC OPERATION

### Cooling and/or dehumidified heating (AUTO)

This mode may be used all year round. The system works automatically to control the inside temperature, air flow distribution and fan speed after the preferred temperature is set manually.

1. Push the "AUTO" button on. (The indicator on the button will illuminate and AUTO will be displayed.)
2. Operate the driver side temperature control buttons (type A) or dial (type B) to set the desired temperature.

Adjust the temperature to about 75°F (24°C) for normal operation.

- The temperature of the passenger compartment will be maintained automatically. Air flow distribution and fan speed will also be controlled automatically.
3. You can individually set driver and front passenger side temperature using each temperature control buttons (type A) or dial (type B). When the "DUAL" button is pushed or the passenger side temperature control buttons (type A) or dial (type B) is/are operated, the DUAL indicator will come on. To turn off the passenger side temperature control, push the "DUAL" button.

A visible mist may be seen coming from the ventilators in hot, humid conditions as the air is cooled rapidly. This does not indicate a malfunction.

## Heating (A/C OFF)

The air conditioner does not activate in this mode. When you need to heat only, use this mode.

1. Push the "A/C" button. (The A/C indicator will turn off.)
  2. Operate the temperature control buttons (type A) or dial (type B) to set the desired temperature.
- The temperature of the passenger compartment will be maintained automatically. Air flow distribution and fan speed are also controlled automatically.
  - Do not set the temperature lower than the outside air temperature. Otherwise the system may not work properly.
  - Not recommended if windows fog up.

## Dehumidified defrosting or defogging

1. Push the "☂" front defroster button. (The indicator light on the button will come on.)
2. Operate the temperature control buttons (type A) or dial (type B) to set the desired temperature.

- To quickly remove ice from the outside of the windows, turn the "☂" fan speed control dial and set it to the maximum position.
- As soon as possible after the windshield is clean, push the "AUTO" button to return to the auto mode.
- When the "☂" front defroster button is pushed, the air conditioner will automatically be turned on at outside temperatures above 23°F (-5°C) to defog the windshield, and the air recirculate mode will automatically be turned off.

Outside air is drawn into the passenger compartment to improve the defogging performance.

## MANUAL OPERATION

### Fan speed control

Turn the "☂" fan speed control dial to manually control the fan speed.

Push the "AUTO" button to return to automatic control of the fan speed.

### Air recirculation

Push the intake air control button "☂" to recirculate interior air inside the vehicle. The indicator light "☂" will come on.

The air recirculation mode cannot be activated when the air conditioner is in the front defrosting

mode "☂".

## Outside air circulation

Push the intake air control button "☂" to change the air circulation from the intake air to the outside air. The indicator light "☂" will turn off.

## Automatic air intake control


In the AUTO mode, the intake air will be controlled automatically. To manually control the intake air, push the intake air control button "☂". To return to the automatic control mode, push the intake air control button "☂" for about 2 seconds. The indicator lights will flash twice, and then the intake air will be controlled automatically.

## Air flow control


Pushing the "MODE" manual air flow control button selects the air outlet to:

- ☂ : Air flows from center and side ventilators.
- ☂ : Air flows from center and side ventilators and foot outlets.
- ☂ : Air flows mainly from foot outlets.
- ☂ : Air flows from defroster and foot outlets.

## Upper vent system

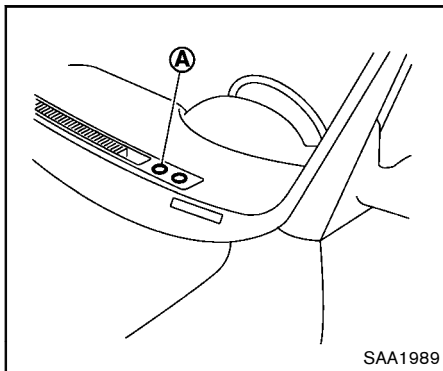
When the “” upper vent system button is pushed, the air flow against the driver's or passenger's upper body becomes gentle. The indicator light on the button will come on.

In this mode, air from the center ventilators flows both straight and upward in order to control the cabin temperature without blowing air directly on the occupants.

If you want strong air flow against your upper body, push the “” button to turn the indicator light off.

## TO TURN THE SYSTEM ON/OFF

Push the “OFF” or “ON-OFF” button when the heater and air conditioner is off. The system will turn on with the settings that were used immediately before the system was turned off.



## OPERATING TIPS

The sunload sensor (A) on the instrument panel helps maintain a constant temperature. Do not put anything on or around this sensor.

## IN-CABIN MICROFILTER

The air conditioning system is equipped with an in-cabin microfilter which collects dirt, pollen, dust, etc. To make sure the air conditioner heats, defogs, and ventilates efficiently, replace the filter in accordance with the maintenance schedule in the NISSAN Service and Maintenance Guide. To replace the filter, contact a NISSAN dealer.

**The filter should be replaced if air flow is**

**extremely decreased or when windows fog up easily when operating heater or air conditioning system.**

## SERVICING AIR CONDITIONER

The air conditioning system in your NISSAN is charged with a refrigerant designed with the environment in mind. **This refrigerant will not harm the earth's ozone layer.** However, special charging equipment and lubricant are required when servicing your NISSAN air conditioner. Using improper refrigerants or lubricants will cause severe damage to your air conditioning system. (See “Capacities and recommended fuel/lubricants” later in this section in the “9. Technical and consumer information” section for air conditioning system refrigerant and lubricant recommendations.)

Your NISSAN dealer will be able to service your environmentally friendly air conditioning system.



## WARNING

**The system contains refrigerant under high pressure. To avoid personal injury, any air conditioner service should be done only by an experienced technician with the proper equipment.**



## AUDIO SYSTEM

### AUDIO OPERATION PRECAUTIONS

#### Radio

Push the ignition switch to the ACC or ON position and push the radio band select button to turn on the radio. If you listen to the radio with the engine not running, the ignition switch should be pushed to the ACC position.

Radio reception is affected by station signal strength, distance from radio transmitter, buildings, bridges, mountains and other external influences. Intermittent changes in reception quality normally are caused by these external influences.

**Using a cellular phone in or near the vehicle may influence radio reception quality.**

#### Radio reception:

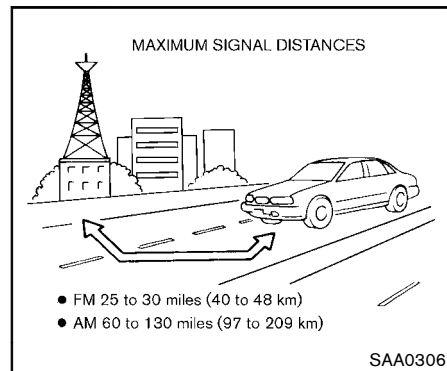
Your NISSAN radio system is equipped with state-of-the-art electronic circuits to enhance radio reception. These circuits are designed to extend reception range, and to enhance the quality of that reception.

However there are some general characteristics of both FM and AM radio signals that can affect radio reception quality in a moving vehicle, even when the finest equipment is used. These characteristics are completely normal in a given reception area, and do not indicate any mal-

function in your NISSAN radio system.

Reception conditions will constantly change because of vehicle movement. Buildings, terrain, signal distance and interference from other vehicles can work against ideal reception. Described below are some of the factors that can affect your radio reception.

Some cellular phones or other devices may cause interference or a buzzing noise to come from the audio system speakers. Storing the device in a different location may reduce or eliminate the noise.



#### FM radio reception:

Range: FM range is normally limited to 25 to 30 miles (40 to 48 km), with monaural (single channel) FM having slightly more range than stereo FM. External influences may sometimes interfere with FM station reception even if the FM station is within 25 miles (40 km). The strength of the FM signal is directly related to the distance between the transmitter and receiver. FM signals follow a line-of-sight path, exhibiting many of the same characteristics as light. For example they will reflect off objects.

Fade and drift: As your vehicle moves away from a station transmitter, the signals will tend to fade and/or drift.

**Static and flutter:** During signal interference from buildings, large hills or due to antenna position, usually in conjunction with increased distance from the station transmitter, static or flutter can be heard. This can be reduced by lowering the treble setting to reduce the treble response.

**Multipath reception:** Because of the reflective characteristics of FM signals, direct and reflected signals reach the receiver at the same time. The signals may cancel each other, resulting in momentary flutter or loss of sound.

#### **AM radio reception:**

AM signals, because of their low frequency, can bend around objects and skip along the ground. In addition, the signals can be bounced off the ionosphere and bent back to earth. Because of these characteristics, AM signals are also subject to interference as they travel from transmitter to receiver.

**Fading:** Occurs while the vehicle is passing through freeway underpasses or in areas with many tall buildings. It can also occur for several seconds during ionospheric turbulence even in areas where no obstacles exist.

**Static:** Caused by thunderstorms, electrical power lines, electric signs and even traffic lights.

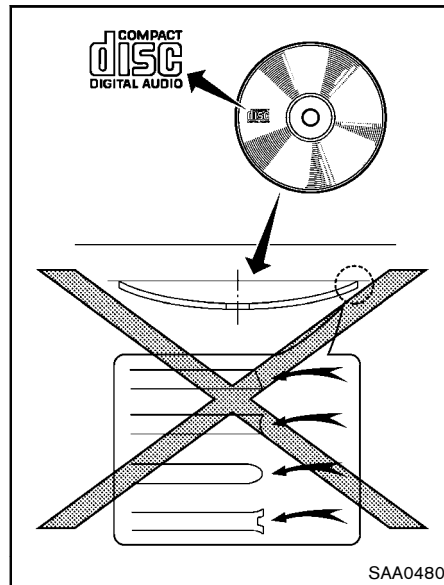
#### **Satellite radio reception (if so equipped):**

When the satellite radio is used for the first time or the battery has been replaced, the satellite radio may not work properly. This is not a malfunction. Wait more than 10 minutes with the satellite radio ON and the vehicle outside of any metal or large building for the satellite radio to receive all of the necessary data.

The satellite radio mode requires an active SiriusXM Satellite Radio subscription. The satellite radio is not available in Alaska, Hawaii and Guam.

A build up of ice on the satellite radio antenna can affect satellite radio performance. Remove the ice to restore satellite radio reception.

For Hardtop models: The satellite radio performance may be affected if cargo carried on the roof blocks the satellite radio signal. If possible, do not put cargo near the satellite antenna.



#### **Compact Disc (CD) player**

- Do not force a compact disc into the CD insert slot. This could damage the CD and/or CD changer/player.
- Trying to load a CD with the CD door closed could damage the CD and/or CD changer.

- During cold weather or rainy days, the player may malfunction due to the humidity. If this occurs, remove the CD and dehumidify or ventilate the player completely.
- The player may skip while driving on rough roads.
- The CD player sometimes cannot function when the passenger compartment temperature is extremely high. Decrease the temperature before use.
- Only use high quality 4.7 in (12 cm) round discs that have the "COMPACT disc DIGITAL AUDIO" logo on the disc or packaging.
- Do not expose the CD to direct sunlight.
- CDs that are of poor quality, dirty, scratched, covered with fingerprints, or that have pin holes may not work properly.
- The following CDs may not work properly:
  - Copy control compact discs (CCCD)
  - Recordable compact discs (CD-R)
  - Rewritable compact discs (CD-RW)
- Do not use the following CDs as they may cause the CD player to malfunction.
  - 3.1 in (8 cm) discs
  - CDs that are not round
  - CDs with a paper label
  - CDs that are warped, scratched, or have abnormal edges

- This audio system can only play prerecorded CDs. It has no capabilities to record or burn CDs.
- If the CD cannot be played, one of the following messages will be displayed.

**CHECK DISC:**

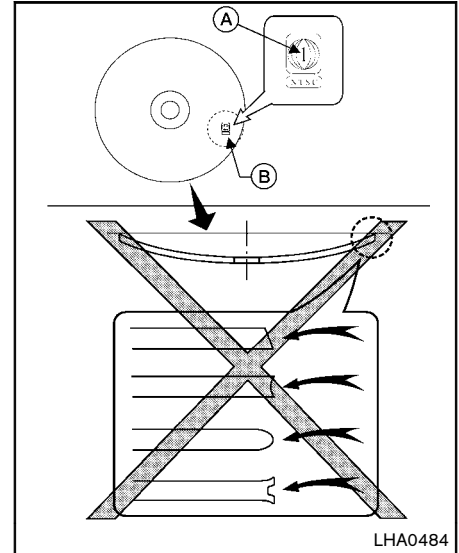
- Confirm that the CD is inserted correctly (the label side is facing up, etc.).
- Confirm that the CD is not bent or warped and it is free of scratches.

**PUSH EJECT:**

This is an error due to the temperature inside the player is too high. Remove the CD by pushing the EJECT button, and after a short time reinsert the CD. The CD can be played when the temperature of the player returns to normal.

**UNPLAYABLE:**

The file is unplayable in this audio system (only MP3 or WMA CD).



**DVD (Digital Versatile Disc) player (models with navigation system)**

- Do not force a compact disc into the CD/DVD insert slot. This could damage the CD/DVD player.
- During cold weather or rainy days, the player may malfunction due to humidity. If this occurs, remove the CD/DVD and dehumidify

- or ventilate the player completely.
- The player may skip while driving on rough roads.
- The CD/DVD player sometimes cannot function when the passenger compartment temperature is extremely high. Decrease the temperature before use.
- Only use high quality 4.7 in (12 cm) round discs that have the “COMPACT disc DIGITAL AUDIO” or “DVD Video” logo on the disc or packaging.
- Do not expose the CD/DVD to direct sunlight.
- CD/DVDs that are of poor quality, dirty, scratched, covered with fingerprints, or that have pinholes may not work properly.
- The following CD/DVDs are not guaranteed to play:
  - Copy control compact discs (CCCD)
  - Recordable compact discs (CD-R)
  - Rewritable compact discs (CD-RW)
  - Recordable DVDs (DVD±R, DVD±R DL)
  - Rewritable DVDs (DVD±RW, DVD±RW DL)
- Do not use the following CD/DVDs as they may cause the CD/DVD player to malfunction.


- 3.1 in (8 cm) discs
- CD/DVDs that are not round
- CD/DVDs with a paper label
- CD/DVDs that are warped, scratched or have abnormal edges
- This audio system can only play pre-recorded CD/DVDs. It has no capabilities to record or burn CD/DVDs.
- If the CD/DVD cannot be played, one of the following messages will be displayed.  
Disc Read Error:
  - Confirm that the CD/DVD is inserted correctly (the label side is facing up, etc.).
  - Confirm that the CD/DVD is not bent or warped and it is free of scratches.
- Please Eject Disc:
  - This may be an error due to the temperature inside the player being too high. Remove the CD/DVD by pushing the EJECT button, and after a short time reinsert the CD/DVD. The CD/DVD can be played when the temperature of the player returns to normal. If the error persists, consult your local dealership.
- Unplayable File:
  - The file may be copy protected.


- The file is not MP3, WMA, AAC, M4A or DivX<sup>®</sup> type.

#### Region Invalid:

- The DVD is not for region 1 or all regions. Use DVDs with a region code “1”, “ALL” or “1 included” for your DVD entertainment system. (The region code **(A)** is displayed as a small symbol printed on the top of the DVD **(B)**.) This vehicle-installed DVD player cannot play DVDs with a region code other than “1” or “ALL”.

#### Copyright and trademark:

- The technology protected by the U.S. patent and other intellectual property rights owned by Macrovision Corporation and other right holders is adopted for this system.
- This copyright protected technology cannot be used without a permit from Macrovision Corporation. It is limited to be personal use, etc., as long as the permit from Macrovision Corporation is not issued.
- Modifying or disassembling is prohibited.
- Dolby digital is manufactured under license from Dolby Laboratories, Inc.
- Dolby and the double D mark “” are trademarks of Dolby Laboratories, Inc.

- DTS and DTS 2.0 “

#### **Parental level (parental control):**

DVDs with the parental control setting can be played with this system. Please use your own judgement to set the parental control with the system.

#### **Disc selection:**

The following disc formats can be played with the DVD drive.

- DVD-VIDEO
- VIDEO-CD
- CD-DA (Conventional Compact Disc)
- DTS-CD

USB (Universal Serial Bus) (if so equipped)



### **WARNING**

**Do not connect or disconnect the USB device while driving. Doing so can be a distraction. If distracted you could lose control of your vehicle and cause an accident or serious injury.**



### **CAUTION**

- **Do not force the USB device into the USB port. Inserting the USB device tilted or up-side-down into the port may damage the USB device and the port. Make sure that the USB device is connected correctly into the USB port.**
- **Do not grab the USB port cover (if so equipped) when pulling the USB device out of the port. This could damage the port and the cover.**
- **Do not leave the USB cable in a place where it can be pulled unintentionally. Pulling the cable may break the wire, USB device or the port.**
- **To avoid damage and loss of function when using a USB device, note the following precautions.**
  - **Do not bend the cable excessively 1.6 in (40 mm) radius minimum.**
  - **Do not twist the cable excessively (more than 180 degrees).**

- **Do not pull or drop the cable.**
- **Do not hit or press the USB port or USB device with hands, feet, or objects.**
- **Do not store objects with sharp edges in the storage area where the cable is stored.**
- **Do not leave the USB device and attached devices in the vehicle compartment. When not in use for extended periods of time, store the cable and USB device in a clean, dust free environment at room temperature and without direct sun exposure.**
- **Do not use the cable for any other purposes than its intended use in the vehicle.**

The vehicle is not equipped with a USB device. USB devices should be purchased separately as necessary.

This system cannot be used to format USB devices. To format a USB device, use a personal computer.

In some states/area, the USB device for the front seats plays only sound without images for

regulatory reasons, even when the vehicle is parked.

This system supports various USB memory devices, USB hard drives and iPod® players. Some USB devices may not be supported by this system.

- Partitioned USB devices may not be played correctly.
- Some characters used in other languages (Chinese, Japanese, etc.) may not appear properly in the display. Using English language characters with a USB device is recommended.

#### **General notes for USB use:**

- The USB device may not function when the passenger compartment temperature is extremely high. Lower the temperature before use.
- During cold weather or rainy days, the player may malfunction due to humidity. If this occurs, remove the USB device and dehumidify or ventilate the USB player completely.
- Do not connect a USB device if a connector, cable or USB port is wet. Allow the connector, cable, and USB port to dry completely before connecting the USB device. (Wait for 24 hours or more until it is dry.) If the connector and USB port are

exposed to fluids other than water, evaporative residue may cause a short circuit between the connector pins and USB port. In this case, replace the cable and USB port. Otherwise damage to the USB device and a loss of function may occur.

- If the cable is damaged (insulation cut, connectors cracked, contamination such as liquids, dust, dirt, etc. in the connectors), do not use the cable. Replace the cable with a new one.
- Do not put a USB device in a location where static electricity occurs, electrical noise is generated or hot air from the air conditioner blows directly on it. Doing so may cause the data stored on the USB device to be corrupted.

#### **Notes for iPod® use:**

iPod® is a trademark of Apple Inc., registered in the U.S. and other countries.

- Improperly plugging in the iPod® may cause a checkmark to be displayed on and off (flickering). Always make sure that the iPod® is connected properly.
- An iPod nano® (1st Generation) may remain in fast forward or rewind mode if it is connected during a seek operation. In this case, please manually reset the iPod®.

- An iPod nano® (2nd Generation) will continue to fast-forward or rewind if it is disconnected during a seek operation.
- An incorrect song title may appear when the Play Mode is changed while using an iPod nano® (2nd Generation)
- Audiobooks may not play in the same order as they appear on an iPod®.
- Large video files cause slow responses in an iPod®. The vehicle center display may momentarily black out, but will soon recover.
- If an iPod® automatically selects large video files while in the shuffle mode, the vehicle center display may momentarily black out, but will soon recover.

#### **Compressed Audio Files (MP3/WMA/AAC)**

##### **Explanation of terms:**

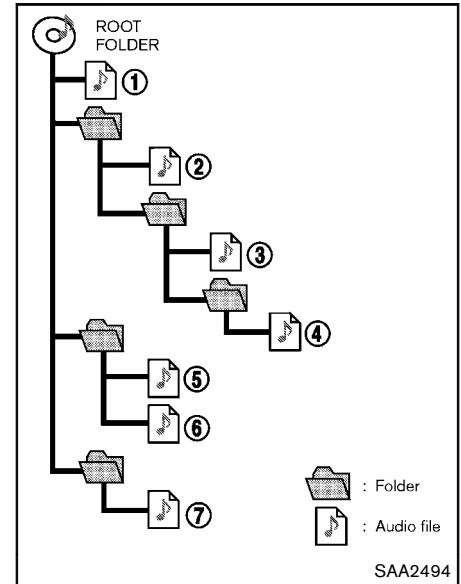
- MP3 — MP3 is short for Moving Pictures Experts Group Audio Layer 3. MP3 is the most well known compressed digital audio file format. This format allows for near "CD quality" sound, but at a fraction of the size of normal audio files. MP3 conversion of an audio track can reduce the file size by approximately a 10:1 ratio (Sampling: 44.1 kHz, Bit rate: 128 kbps) with virtually no perceptible loss in quality. The compression

reduces certain parts of sound that seem inaudible to most people.

- WMA — Windows Media Audio (WMA) is a compressed audio format created by Microsoft as an alternative to MP3. The WMA codec offers greater file compression than the MP3 codec, enabling storage of more digital audio tracks in the same amount of space when compared to MP3s at the same level of quality.
- AAC/M4A — Advanced Audio Coding (AAC) is a lossy audio compression format. Audio files that have been encoded with AAC are generally smaller in size and deliver a higher quality of sound than MP3.
- Bit rate — Bit rate denotes the number of bits per second used by a digital music file. The size and quality of a compressed digital audio file is determined by the bit rate used when encoding the file.
- Sampling frequency — Sampling frequency is the rate at which the samples of a signal are converted from analog to digital (A/D conversion) per second.
- Multisession — Multisession is one of the methods for writing data to media. Writing data once to the media is called a single session, and writing more than once is called a multisession.

- ID3/WMA Tag — The ID3/WMA tag is the part of the encoded MP3 or WMA file that contains information about the digital music file such as song title, artist, album title, encoding bit rate, track time duration, etc. ID3 tag information is displayed on the Album/Artist/Track title line on the display.

\* Windows® and Windows Media® are registered trademarks or trademarks of Microsoft Corporation in the United States of America and/or other countries.



#### Playback order:

- The folder names of folders not containing compressed audio files are not shown in the display.
- If there is a file in the top level of a disc/USB, "Root Folder" is displayed.

- The playback order is the order in which the files were written by the writing software, so the files might not play in the desired order.
- Music playback order of compressed audio files is as illustrated.



**Specification chart (for FM-AM radio with Compact Disc (CD) changer):**

|  |       |   |                           |
|--|-------|---|---------------------------|
| Supported media                              |       | CD, CD-R, CD-RW   |                           |
| Supported file systems                       |       | CD, CD-R, CD-RW: ISO9660 LEVEL1, ISO9660 LEVEL2, Romeo, Joliet<br>* ISO9660 Level 3 (packet writing) is not supported.<br>* Files saved using the Live File System component (on a Windows Vista-based computer) are not supported.     |                           |
| Supported versions*1                         | MP3   | Version   | MPEG1, MPEG2, MPEG2.5     |
|  |       | Sampling frequency  | 8 kHz - 48 kHz            |
|  |       | Bit rate  | 8 kbps - 320 kbps, VBR*4  |
|  | WMA*2 | Version   | WMA7, WMA8, WMA9          |
|  |       | Sampling frequency  | 32 kHz - 48 kHz           |
|  |       | Bit rate  | 32 kbps - 192 kbps, VBR*4 |
| Tag information (Song title and Artist name) |       | ID3 tag VER1.0, VER1.1, VER2.2, VER2.3, VER2.4 (MP3 only)<br>WMA tag (WMA only)   |                           |
| Folder levels                                |       | With navigation system:<br>Folder levels: 8, Folders: 255 (including root folder), Files: 512 (Max. 255 files for one folder)<br>Without navigation system:<br>Folder levels: 8, Folders and files: 999 (Max. 255 files for one folder) |                           |
| Displayable character codes*3                |       | 01: ASCII, 02: ISO-8859-1, 03: UNICODE (UTF-16 BOM Big Endian), 04: UNICODE (UTF-16 Non-BOM Big Endian), 05: UNICODE (UTF-8), 06: UNICODE (Non-UTF-16 BOM Little Endian)  |                           |

- \*1 Files created with a combination of 48 kHz sampling frequency and 64 kbps bit rate cannot be played.
- \*2 Protected WMA files (DRM) cannot be played.
- \*3 Available codes depend on what kind of media, versions and information are going to be displayed.
- \*4 When VBR files are played, the playback time may not be displayed correctly.

**Specification chart (for FM-AM-SAT radio with Compact Disc (CD) player):**

|  |          |   |                           |
|--|----------|---|---------------------------|
| Supported media                              |          | CD, CD-R, CD-RW, DVD-ROM*5, DVD±R*5, DVD±RW*5, DVD±R DL*5, USB2.0   |                           |
| Supported file systems                       |          | CD, CD-R, CD-RW, DVD-ROM*5, DVD±R, DVD±RW, DVD±R DL: ISO9660 LEVEL1, ISO9660 LEVEL2, Romeo, Joliet<br>* ISO9660 Level 3 (packet writing) is not supported.<br>* Files saved using the Live File System component (on a Windows Vista-based computer) are not supported.<br>UDF Bridge (UDF1.02+ISO9660), UDF1.5, UDF2.0<br>* VDF1.5/VDF2.0 (packet writing) is not supported.<br>USB memory: FAT16, FAT32 |                           |
| Supported versions*1                         | MP3      | Version   | MPEG1 Audio Layer 3       |
|  |          | Sampling frequency  | 8 kHz - 48 kHz            |
|  |          | Bit rate  | 8 kbps - 320 kbps, VBR*4  |
|  | WMA*2    | Version   | WMA7, WMA8, WMA9          |
|  |          | Sampling frequency  | 32 kHz - 48 kHz           |
|  |          | Bit rate  | 32 kbps - 192 kbps, VBR*4 |
|  | AAC*5    | Version   | MPEG-AAC                  |
| Sampling frequency                           |          | 8 kHz - 96 kHz  |                           |
|  | Bit rate | 16 kbps - 320 kbps, VBR*4   |                           |
| Tag information (Song title and Artist name) |          | ID3 tag (VER1.0, VER1.1, VER2.2, VER2.3, VER2.4 (MP3 only))<br>WMA tag (WMA only)   |                           |
| Folder levels                                |          | Models with navigation system:<br>Folder levels: 8, Folders: 512 (including root folder), Files: 5,000<br>Models without navigation system:<br>Folder levels: 8, Folders and files: 999 (Max. 255 files for one folder)   |                           |
| Displayable character codes*3                |          | 01: ASCII, 02: ISO-8859-1, 03: UNICODE (UTF-16 BOM Big Endian), 04: UNICODE (UTF-16 Non-BOM Big Endian), 05: UNICODE (UTF-8), 06: UNICODE (Non-UTF-16 BOM Little Endian), 07: SHIFT-JIS   |                           |

\*1 Files created with a combination of 48 kHz sampling frequency and 64 kbps bit rate cannot be played.

\*2 Protected WMA files (DRM) cannot be played.

- \*3 Available codes depend on what kind of media, versions and information are going to be displayed.
- \*4 When VBR files are played, the playback time may not be displayed correctly.
- \*5 Models with navigation system

## Troubleshooting guide:

| Symptom  | Cause and Countermeasure   |
|--|--|
| Cannot play  | Check if the disc or USB device was inserted correctly.  |
|  | Check if the disc is scratched or dirty.   |
|  | Check if there is condensation inside the player, and if there is, wait until the condensation is gone (about 1 hour) before using the player.   |
|  | If an error occurs due to an increase in temperature, the player will play correctly after it returns to the normal temperature.   |
|  | If there is a mixture of music CD files (CD-DA data) and compressed audio files on a CD, only the music CD files (CD-DA data) will be played.  |
|  | Files with extensions other than ".MP3 (.mp3)", ".WMA (.wma)", ".AAC (.aac)", ".M4A (.m4a)", or ".AA3 (.aa3)" cannot be played. In addition, the character codes and number of characters for folder names and file names should be in compliance with the specifications. |
|  | Check if the disc or the file is generated in an irregular format. This may occur depending on the variation or the setting of compressed audio writing applications or other text editing applications.   |
|  | Check if the finalization processes, such as session close and disc close, have been performed for the disc.   |
| Poor sound quality   | Check if the disc or USB device is protected by copyright.   |
| It takes a relatively long time before the music starts playing. | Check if the disc is scratched or dirty.   |
| Music cuts off or skips  | If there are many folder or file levels on the disc or USB device, some time may be required before the music starts playing.  |
| Skipping with high bit rate files                                | The writing software and hardware combination might not match, or the writing speed, writing depth, writing width, etc., might not match the specifications. Try using the slowest writing speed.  |
| System skips immediately to the next song when playing.          | Skipping may occur with large quantities of data, such as for high bit rate data.  |
| The songs do not play back in the desired order.                 | If an unsupported compressed audio file has been given a supported extension like .MP3, or when play is prohibited by copyright protection, the player will skip to the next song.   |
|  | The playback order is the order in which the files were written by the writing software, so the files might not play in the desired order. Random/Shuffle may be active on the audio system or on a USB device.  |

Compressed Video Files (models with navigation system)

**Explanation of terms:**

- DivX® - DivX® refers to the DivX® codec owned by DivX, Inc. used for a lossy compression of video based on MPEG-4.
- AVI - AVI stands for Audio Video Interleave. It is a standard file format originated by Microsoft Corporation. A ".divx" encoded file can be saved into the ".avi" file format for playback on this system if it meets the requirements stated in the table in this section. However, not all the ".avi" files are playable on this system since different encodings can be used than the DivX® codec.
- ASF - ASF stands for Advanced Systems Format. It is a file format owned by Microsoft Corporation. Note: Only ".asf" files that meet the requirements stated in the table in this section can be played.
- Bit rate — Bit rate denotes the number of bits per second used by a digital video file. The size and quality of a compressed digital audio file is determined by the bit rate used when encoding the file.

**Requirement for Supporting Video Playback:**

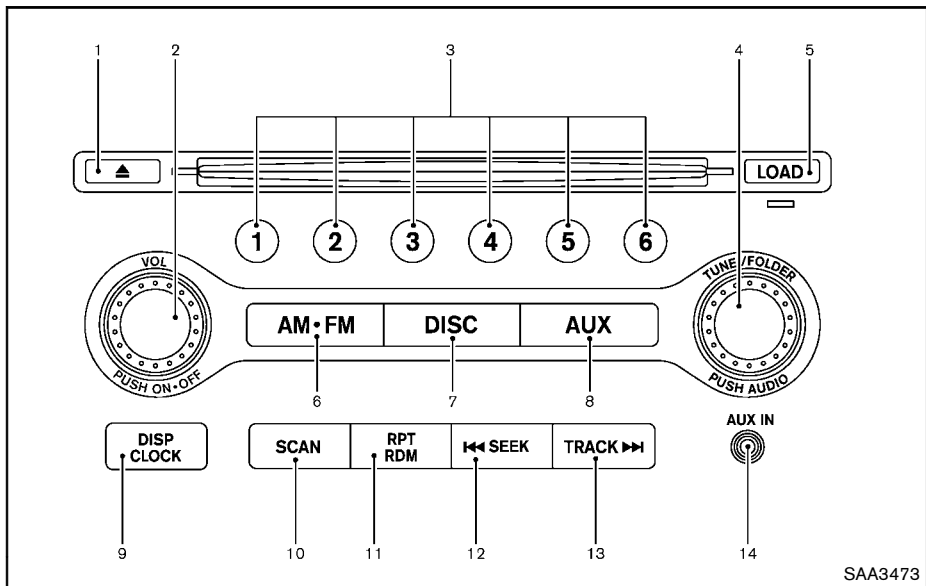
|              |  |  |                                      |
|--------------|--|--|--------------------------------------|
| Media        | CD, CD-R, CD-RW, DVD, DVD±R, DVD±RW, DVD±RW DL, USB 2.0 Memory |  |                                      |
| File Systems | CD, CD-R, CD-RW, DVD, DVD±R, DVD±RW, DVD±RW DL                 | ISO9660 LEVEL1, ISO9660 LEVEL2, Romeo, Joliet, UDF Bridge (UDF1.02+ISO9660), UDF1.5, UDF2.0<br>- ISO9660 Level 3 (packet writing) is not supported.<br>- Files saved using the Live File System component (on a Windows Vista-based computer) are not supported.<br>- VDF1.5/VDF2.0 (packet writing) is not supported. |                                      |
|              | USB Memory   | FAT16, FAT32   |                                      |
| File Types   | .divx, .avi  | Video Codecs   | DivX3, DivX4, DivX5, DivX6           |
|              |  | Audio Codecs   | MP3, MPEG2.5 Audio Layer3, AC3, LPCM |
|              | .asf   | Video Codec  | ISO-MPEG4                            |
|              |  | Audio Codec  | G.726                                |
| Bit Rates    | .divx, .avi  | Maximum Average  | 4Mbps                                |
|              |  | Maximum Peak   | 8Mbps                                |
| Resolution   | .divx, .avi  | Minimum  | 32 × 32                              |
|              |  | Maximum  | 720 × 480                            |
|              | .asf   | Minimum  | 32 × 32                              |
|              |  | Maximum  | 720 × 576                            |

## Bluetooth® Audio player (models with navigation system)



Bluetooth® is a trademark owned by Bluetooth SIG, Inc. and licensed to Clarion Co., Ltd.

- Some Bluetooth® audio devices may not be recognized by the in-vehicle audio system.
  - It is necessary to set up the wireless connection between a compatible Bluetooth® audio device and the in-vehicle Bluetooth® module before using the Bluetooth® audio player.
  - Operating procedure of the Bluetooth® audio player will vary depending on the device. Make sure you understand how to operate an audio device before using it with this system.
  - The Bluetooth® audio player may be stopped under the following conditions:
    - Receiving a hands-free call.
    - Checking the connection to the hands-free phone.
  - Do not place a Bluetooth® audio device in an area surrounded by metal or far away from the in-vehicle Bluetooth® module to prevent tone quality degradation and wireless connection disruption.
- While an audio device is connected through a Bluetooth® wireless connection, the battery power of the device may discharge quicker than usual.
  - This system supports the Bluetooth® Audio Distribution Profile (A2DP, AVRCP).
  - Wireless LAN (Wi-Fi) and the Bluetooth® functions share the same frequency band (2.4 GHz). Using the Bluetooth® and the wireless LAN functions at the same time may slow down or disconnect the communication and cause undesired noise. It is recommended that you turn off the wireless LAN (Wi-Fi) when using the Bluetooth® functions.



## FM-AM RADIO WITH COMPACT DISC (CD) CHANGER

1. CD EJECT button
2. ON-OFF/VOLUME control knob
3. Radio station and CD selector buttons
4. Radio tuning / MP3/WMA folder selector / AUDIO control knob

5. CD LOAD button
6. AM-FM band select button
7. DISC button
8. AUX button
9. DISP (display) change/CLOCK button
10. Radio/CD SCAN (tuning) button
11. CD RPT (repeat)/RDM (random) play button
12. REW (rewind) button for SEEK/TRACK
13. FF (fast forward) button for SEEK/TRACK
14. AUX IN jack

12. REW (rewind) button for SEEK/TRACK
13. FF (fast forward) button for SEEK/TRACK
14. AUX IN jack

For all operation precautions, see "Audio operation precautions" earlier in this section.

## Audio main operation

### Head unit:

The radio has an FM diversity reception system, which employs two antennas printed on the rear window (for Hardtop models). This system automatically switches to the antenna which is receiving less interference.

The auto loudness circuit enhances the low and high frequency ranges automatically in both radio reception and CD playback.

### ON-OFF/Volume control:

Push the ignition switch to the ACC or ON position, and then push the ON-OFF/VOLUME control knob while the system is off to call up the mode (radio, CD or AUX) which was playing immediately before the system was turned off. While the system is on, pushing the ON-OFF/VOLUME control knob turns the system off.

Turn the ON-OFF/VOLUME control knob to adjust the volume.

### Adjusting sound quality:

Push the Audio control knob to change the

selecting mode as follows.

Bass → Treble → Fade → Balance → Speed  
Sensitive Volume → Beep

Rotate the Audio control knob to adjust Bass, Treble, Fade and Balance to the desired level. Fade adjusts the sound level between the front and rear speakers and Balance adjusts the sound between the right and left speakers.


These items can also be adjusted by pushing the AUDIO button.

- Speed Sensitive Vol.  
Sound volume is increased according to the vehicle speed. Choose the effect level from "HIGH", "MID", "LOW" or "OFF".
- Beep tuning  
When this item is turned to ON, you will hear a beep sound when you use a button.

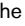
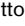
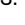
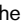
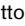
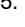
Once you have adjusted the sound quality to the desired level, push the Audio control knob repeatedly until the radio or CD display reappears. Otherwise, the radio or CD display will automatically reappear after about 5 seconds.

#### **CLOCK adjust:**

Push the CLOCK adjust button for more than 1.5 seconds to turn on the CLOCK display.

1. Push and hold the CLOCK button  for more than 2 seconds until the display shows

"Hour Adjust".

2. Turn the AUDIO knob  to adjust hours.
3. Push the CLOCK button  or AUDIO knob  to enter. The display will show "Minute Adjust".
4. Turn the AUDIO knob  to adjust minutes.
5. Push the CLOCK button  or AUDIO knob  to enter.

The display will return to the regular clock display after 10 seconds.

If the power supply is disconnected, the clock will not indicate the correct time.

Readjust the time.

#### AM-FM radio operation

##### **radio (FM/AM) band select:**

Pushing the radio band select button will change the band as follows:

AM → FM1 → FM2 → AM

When the radio band select button is pushed while the ignition switch is in the ACC or ON position, the radio will come on at the station last played.

The last station/channel played will also come on when the ON-OFF/VOL control knob is pushed to ON.

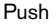
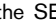
If another audio source is playing when the radio band select button is turned to ON, the audio source will automatically be turned off and the last radio station played will come on.

When the stereo broadcast signal is weak, the radio will automatically change from stereo to monaural reception.

#### **TUNE (Tuning):**

Turn the TUNE/FOLDER knob for manual tuning.

##### **SEEK tuning:**

Push the SEEK-CAT or TRACK button  or  to tune from low to high or high to low frequencies and to stop at the next broadcasting station.

##### **SCAN tuning:**

Push the SCAN tuning button to tune from low to high frequencies and stops at each broadcasting station for 5 seconds. Pushing the button again during this 5 seconds period will stop SCAN tuning and the radio will remain tuned to that station.

If the SCAN tuning button is not pushed within 5 seconds, SCAN tuning moves to the next station.



### ① to ⑥ Station memory operations:

12 stations/channels can be set for the FM band (6 for FM1, 6 for FM2) and 6 stations can be set for the AM band.

1. Choose the radio band AM, FM1 or FM2 using the radio band select button.
2. Tune to the desired station using the SEEK, SCAN or TUNE button.
3. Select the desired station/channel and keep pushing any of the desired station preset buttons ① to ⑥ until a beep sound is heard. (The radio mutes when the select button is pushed.)
4. The channel indicator will then come on and the sound will resume. Memorizing is now complete.
5. Other buttons can be set in the same manner.

If the battery cable is disconnected, or if the fuse blows, the radio memory will be erased. In that case, reset the desired stations.

### Compact Disc (CD) changer operation

Push the ignition switch to the ACC or ON position, push the LOAD button and insert the compact disc into the slot with the label side facing up. The compact disc will be guided automatically into the slot and start playing.

After loading the disc, the number of tracks on the disc and the play time will appear on the display.

If the radio is already operating, it will automatically turn off and the compact disc will play.

If the system has been turned off while the compact disc was playing, pushing the ON-OFF/VOL control knob will start the compact disc.

### LOAD CD LOAD:

To insert a CD in the CD changer, push the LOAD button for less than 1.5 seconds. Select the loading position by pushing the CD insert select button ① to ⑥, then insert the CD.

To insert 6 CDs to the CD changer in succession, push the LOAD button for more than 1.5 seconds.

The inserted slot numbers will illuminate on the display.

### DISC PLAY:

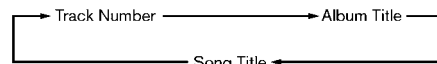
When the DISC (CD play) button is pushed with the system off and the compact disc loaded, the system will turn on and the compact disc will start to play.

When the DISC button is pushed with the compact disc loaded and the radio playing, the radio will automatically be turned off and the compact disc will start to play.

### DISP CLOCK CD PLAY INFORMATION:

When the DISP button is pushed for less than 1.5 seconds while the CD is being played, the disc information display will change as follows:

CD:



CD with MP3 or WMA:





### **FF (Fast Forward), REW (Re- wind)/APS (Automatic Program Search) FF, APS REW:**

Push the FF or REW button for more than 1.5 seconds while a CD is being played to fast forward or rewind through the track. When the button is released, the compact disc will return to normal play speed.

When the or button is pushed for less than 1.5 seconds while the compact disc is being played, the next track or the beginning of the current track on the CD will be played.

### **CD PLAY selection:**

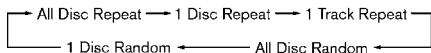
To change to another CD already loaded into the player, push the CD play select buttons to .



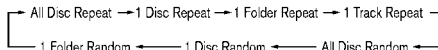
### **REPEAT (RPT), RANDOM (RDM):**

When the RPT button is pushed while the compact disc is played, the play pattern can be changed as follows:

(CD)



(CD with MP3 or WMA)



### **CD EJECT:**

When the CD EJECT button is pushed with the compact disc loaded, the compact disc will be ejected.

To eject the discs selected by the CD select button, push the EJECT button for less than 1.5 seconds.

To eject all the discs, push the EJECT button for more than 1.5 seconds.

When this button is pushed while the compact disc is being played, the compact disc will come out and the system will turn off.

**If the compact disc comes out and is not removed, it will be pulled back into the slot to protect it.**



### **SCAN tuning:**

When the SCAN tuning button is pushed for less than 1.5 seconds while the CD is being played, the beginning of all the tracks of CDs will be played for 10 seconds in sequence.

When the SCAN tuning button is pushed for more than 1.5 seconds while the CD is being

played, the first program in all the CDs will be played for 10 seconds.

Pushing the button again during this 10 second period will stop SCAN tuning.

If the SCAN tuning button is not pushed within 10 seconds, SCAN tuning moves to the next disc program.

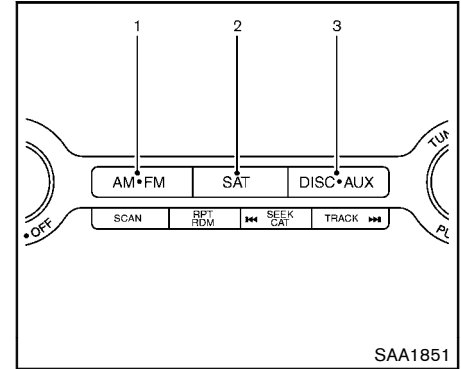
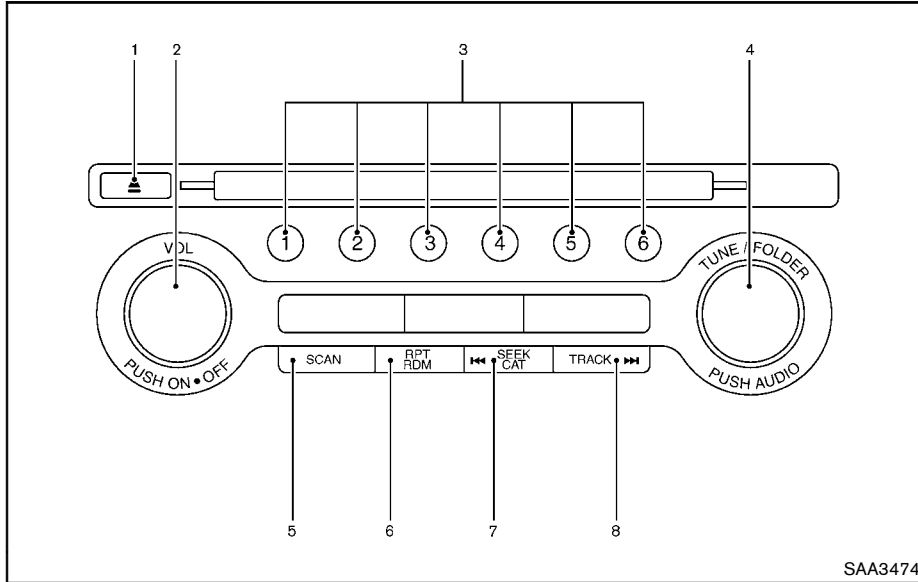
### **AUX (Auxiliary) input**

#### **AUX** **AUX (Auxiliary) button:**

The AUX IN jack is located on the audio unit. The AUX IN audio input jack accepts any standard analog audio input such as from a portable cassette tape/CD player, MP3 player or laptop computers.

Push the AUX button to play a compatible device when it is plugged into the AUX IN jack.

NISSAN strongly recommend using a stereo mini plug cable when connecting your music device to the audio system. Music may not be played properly when you use a monaural cable.

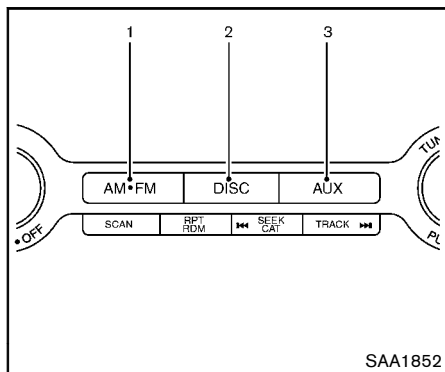


SAA1851

**With navigation system**

1. AM-FM band select button
2. SAT button
3. DISC-AUX button

1. CD EJECT button
2. ON-OFF/VOLUME control knob
3. Radio station and CD selector buttons
4. Radio tuning/AUDIO control knob
5. Radio SCAN (tuning) button
6. CD RPT (repeat)/RDM (random) play button
7. Radio CAT (category)/REW (rewind) button for SEEK/TRACK
8. FF (fast forward) button for SEEK/TRACK



**Without navigation system**

1. AM-FM band select button
2. DISC button
3. AUX/SAT band select button

**FM-AM-SAT RADIO WITH COMPACT DISC (CD) PLAYER**

For all operation precautions, see “Audio operation precautions” earlier in this section.

The satellite radio mode requires an active SiriusXM Satellite Radio subscription. The satellite radio is not available in Alaska, Hawaii and Guam.

It may take some time to receive the activation signal after subscribing the SiriusXM Satellite Radio. After receiving the activation signal, an

available channel list will be automatically updated in the radio. Push the ignition switch from LOCK to ACC to update the channel list.

**Audio main operation**

**Head unit:**

The auto loudness circuit enhances the low and high frequency ranges automatically in both radio reception and CD playback.

**ON-OFF/Volume control:**

Push the ignition switch to the ACC or ON position, and then push the ON-OFF button while the system is off to turn on the last audio source, which was playing immediately before the system was turned off. While the system is on, pushing the ON-OFF button turns the system off.

Turn the VOL control knob to adjust the volume.

**Adjusting tone quality and speaker balance:**

To adjust Bass, Treble, Balance and Fade, push the Audio control knob. When the display shows the setting you want to change (Bass, Treble, Balance and Fade), rotate the Audio control knob to set the desired setting. For the other setting methods, see “How to use SETTING button” earlier in this section.

This vehicle has some sound effect functions as

follows:

- Speed Sensitive Vol.
- For more details, see “Vehicle information and settings” earlier in this section.

**Switching the display:**

- Models with navigation system  
Pushing the DISC-AUX button will switch the displays as follows:  
iPod®/USB → CD/DVD → Bluetooth® Audio → AUX → iPod®/USB
- Models without navigation system  
Pushing the AUX button will switch the display as follows:  
USB/iPod® → XM1 → XM2 → XM3 → USB/iPod®

## FM-AM-SAT radio operation

### **FM•AM** radio (FM/AM) band select:

Pushing the radio band select button will change the band as follows:

AM → FM1 → FM2 → AM

### **SAT** radio (SAT) band select (models with navigation system):

Pushing the radio band select button will change the band as follows:

XM1 → XM2 → XM3 → XM1

When the radio band select button is pushed while the ignition switch is in the ACC or ON position, the radio will come on at the channel last played.

The last channel played will also come on when the ON-OFF button is pushed to ON.

The satellite radio is not available in Alaska, Hawaii and Guam.

If another audio source is playing when the radio band select button is turned to ON, the audio source will automatically be turned off and the last radio channel played will come on.

When the stereo broadcast signal is weak, the radio will automatically change from stereo to monaural reception.


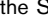
### **AUX** radio (SAT) band select (models without navigation system):

Push the satellite band select button to select the satellite radio mode XM1, XM2 or XM3.

### **TUNE (Tuning):**

- For AM and FM radio  
Turn the radio TUNE knob for manual tuning.
- For SiriusXM Satellite Radio  
Turn the radio TUNE knob to seek channels from all of the categories when any category is not selected.

### **SEEK tuning/CATEGORY (CAT):**

- For AM and FM radio  
Push the SEEK button  or  to tune from low to high or high to low frequencies and to stop at the next broadcasting station.
- For SiriusXM Satellite Radio  
Push the SEEK button  or  to tune to the first channel of the next or previous category.

During satellite radio reception, the following notices will be displayed under certain conditions.

- NO SIGNAL (No signal is received while the SAT tuner is connected.)

- OFF AIR (Broadcasting signed off)
- CHECK ANTENNA (Antenna connection error)
- LOADING (When the initial setting is performed)
- UPDATING (When the satellite radio subscription is not active)

### **SCAN** SCAN tuning:

Push the SCAN tuning button to tune from low to high frequencies and stop at each broadcasting station/channel for 5 seconds. Pushing the button again during this 5 seconds period will stop SCAN tuning and the radio will remain tuned to that station/channel.

If the SCAN tuning button is not pushed within 5 seconds, SCAN tuning moves to the next station/channel.

### **① to ⑥ Station memory operations:**

12 stations/channels can be set for the FM band (6 each for FM1 and FM2), 18 for SiriusXM Satellite Radio (6 each for XM1, XM2 and XM3) and 6 stations can be set for the AM band.

1. Choose the radio band using the radio band select button.
2. Tune to the desired station/channel using the SEEK/TRACK, SCAN button or the radio TUNE knob.

3. Push and hold the desired station preset button ① to ⑥ until the radio mutes.
4. The station indicator will then come on and the sound will resume. Memorizing is now complete.
5. Other buttons can be set in the same manner.

If the battery cable is disconnected, or if the fuse opens, the radio memory will be erased. In that case, reset the desired stations/channels.

#### **List (AM and FM radio) (models with navigation system):**

When the "List" key on the display is selected while the FM or AM radio is being played, the preset station list will be displayed.

If 1 of the 6 preset stations listed is touched and held, the current station will be stored as the new preset.

#### **Menu (SiriusXM Satellite Radio) (models with navigation system):**

When the "Menu" key on the display is selected while the SiriusXM Satellite Radio is being played, the menu list will be displayed.

The following items are available.

- Preset List  
Displays the preset channel list. If 1 of the 6 preset stations listed is touched and held,

the current station will be stored as the new preset.

- Customize Channel List  
Selects specific channels to skip while using the TUNE, SEEK/CATEGORY or Menu-Categories feature.
- Favorite Artists & Songs  
Stores the current artist or song that is being played. Touch the "Alert" key to be reminded when the stored artist or song is playing on a station while listening to SiriusXM Satellite Radio.
- Categories  
Selecting a category will go to the first channel in that category as defined by SiriusXM Satellite Radio.
- Direct Tune  
Inputs the channel number by using a keypad.

#### **Text (models without navigation system):**

When the "Text" key is selected with the multi-function controller on the display and then the ENTER button is pushed while the satellite radio is being played, the text information listed below will be displayed on the screen.

- CH Name
- Category

- Name
- Title
- Other

#### **Compact Disc (CD) player operation**

Push the ignition switch to the ACC or ON position and insert the Compact Disc (CD) into the slot with the label side facing up. The CD will be guided automatically into the slot and start playing.

After loading the CD, the number of tracks on the CD and the play time will appear on the display.

If the radio is already operating, it will automatically turn off and the CD will play.

If the system has been turned off while the CD was playing, pushing the ON-OFF button will start the CD.

Do not use 3.1 in (8 cm) discs.

**DISC AUX** or **DISC PLAY:**

When the DISC·AUX or DISC (CD play) button is pushed with the system off and the CD loaded, the system will turn on and the CD will start to play.

When the DISC·AUX or DISC button is pushed with the CD loaded and the radio playing, the radio will automatically be turned off and the CD

will start to play.

### Menu (models with navigation system):

When the "Menu" key on the display is selected while the CD is being played, the menu screen will be displayed. The following menu options are available.

- Folder List (for CD with compressed audio files)  
Displays the folder list.
- Track List  
Displays the track list.
- Play Mode  
Select a play mode from the following items.
  - Normal
  - 1 Folder Repeat (for CD with compressed audio files)
  - 1 Track Repeat
  - 1 Disc Random
  - 1 Folder Random (for CD with compressed audio files)

### Text (models without navigation system):

When the "Text" key is selected in the screen using the multi-function controller and then the ENTER button is pushed while the CD is being played, the music information below will be displayed on the screen.

CD:

- Disc title
  - Track title
- CD with compressed audio files:
- Folder title
  - File title
  - Song title
  - Album title
  - Artist



### Next/Previous Track and Fast Forward/Rewind:

Push the FF or REW button for more than 1.5 seconds while a CD is being played to fast forward or rewind through the track. When the button is released, the CD will return to normal play speed.

When the FF button is pushed for less than 1.5 seconds while a CD is being played, the next track on the CD will be played.

When the REW button is pushed for less than 1.5 seconds within 3 seconds after the current track started playing, the previous track will be played.

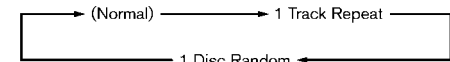
When the REW button is pushed for less than 1.5 seconds after 3 seconds from when the current track started playing, the beginning of the current track will be played.



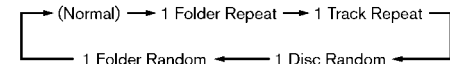
### REPEAT (RPT), RANDOM (RDM):

When the RPT button is pushed while the CD is played, the play pattern can be changed as follows:

(CD)



(CD with compressed audio files)



### CD EJECT:

When the CD EJECT button is pushed with the CD loaded, the CD will be ejected.

When this button is pushed while the CD is being played, the CD will be ejected.

**If the CD comes out and is not removed, it will be pulled back into the slot to protect it.**

## DVD (Digital Versatile Disc) PLAYER OPERATION (models with navigation system)

### Precautions

Start the engine when using the DVD entertainment system.

Movies will not be shown on the front display while the vehicle is in any drive position to reduce driver distraction. Audio is available when a movie is played. To view movies in the front display, stop the vehicle in a safe location, move the shift lever to the P (Park) position and apply the parking brake.

### WARNING

- **The driver must not attempt to operate the DVD system or wear the headphones while the vehicle is in motion so that full attention may be given to vehicle operation.**
- **Do not attempt to modify the system to display a movie on the front screen while the vehicle is being driven. Doing so may distract the driver and may cause a collision and serious personal injury or death.**

### CAUTION

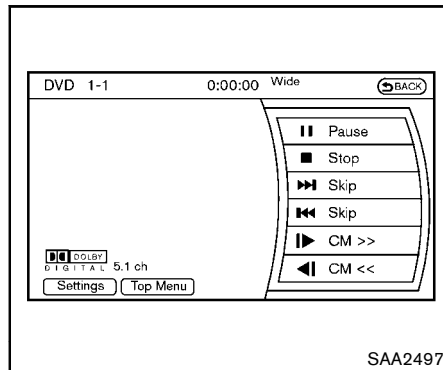
- **Only operate the DVD while the vehicle engine is running. Operating the DVD for extended periods of time with the engine OFF can discharge the vehicle battery.**
- **Do not allow the system to get wet. Excessive moisture such as spilled liquids may cause the system to malfunction.**
- **While playing VIDEO-CD media, this DVD player does not guarantee complete functionality of all VIDEO-CD formats.**

### Display settings

To adjust the front display mode, push the SETTING button while the DVD is being played.

To adjust the display ON/OFF, brightness, tint, color and contrast, select the "Display Adjustment" key and then select each key.

Then you can adjust each item using the multi-function controller. After changes have been made push the BACK button to save the setting.



### Playing a DVD

#### DISC-AUX button:

**Park the vehicle in a safe location for the front seat occupants to operate the DVD drive while watching the images.**

Push the DISC-AUX button on the instrument panel and turn the display to the DVD mode.

When a DVD is loaded, it will be replayed automatically.

The operation screen will be turned on when the DISC-AUX button located on the instrument panel is pushed while a DVD is being played, and it will turn off automatically after a period of time. To turn it on again, push the DISC-AUX



button again.

### DVD operation keys:

When the DVD is playing without the operation screen being shown, you may use the touch screen to select items from the displayed video. You may also use the multifunction controller to select an item from the displayed video. When the operation screen is being shown, use the multifunction controller or touch screen to select an item from the displayed menus.

#### || PAUSE:

Select the " || " key to pause the DVD. To resume playing the DVD, use the "PLAY" key.

#### ▶ PLAY:

Select the " ▶ " key to start playing the DVD, for example, after pausing the DVD.

#### ■ STOP:

Select the " ■ " key to stop playing the DVD.

#### ▶▶ / ◀◀ Next/Previous Chapter:

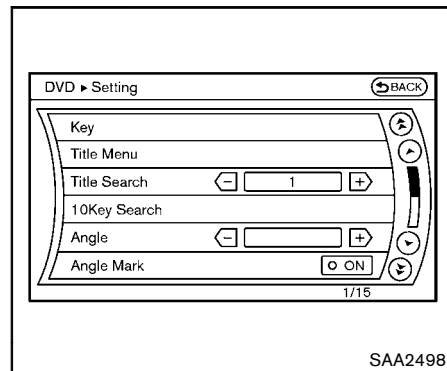
Select the " ▶▶ " or " ◀◀ " key to skip the chapter(s) of the disc forward/backward. The chapters will advance/go back the number of times this key is selected.

#### ▶ / ◀ Commercial Skip:

This function is only for DVD-VIDEO, DVD-VR. Select the " ▶ " or " ◀ " key to skip forward or backwards by the set amount as defined in the DVD Settings menu.

#### Top Menu:

When the "Top Menu" key is selected in the screen while a DVD is being played, the top menu specific to each disc will be displayed. For details, see the instructions on the disc.



Example

### DVD settings

Select the "Settings" key to adjust the following settings.

#### Key (DVD-VIDEO):

Keys for the DVD menu operation are displayed.

⊙ : Move the cursor to select a DVD menu.

Enter: Enter the selected menu.

Move: Change the display location by moving the operation key.

Back: Return to the previous screen.

◀▶ Hide: Hide the operation key.

**Title Menu (DVD-VIDEO):**

Some menus specific to each disc will be shown. For details, see the instructions on the disc.

**Title Search (DVD-VIDEO, DVD-VR):**

The scene with the specified title will be displayed each time the "+" side or "-" side is selected.

**Group Search (VIDEO CD):**

A scene in the specified group will be displayed each time the "+" side or "-" side is selected.

**10 Key Search (DVD-VIDEO, VIDEO-CD, CD-DA, DVD-VR):**

Select the "10 Key Search" key to open the number entry screen. Input the number to be searched and select the "OK" key. The specified Title/Chapter or Group/Track will be played.

**Select No. (VIDEO-CD):**

Select the "Select No." key to open the number entry screen. Input the number to be searched and select the "OK" key. The specified scene will be played.

**Angle (DVD-VIDEO):**

If the DVD contains different angles (such as moving images), the current image angle can be switched to another one. Select the "Angle" key. The angle will change each time the "+" side or

"-" side is selected.

**Angle Mark (DVD-VIDEO):**

When this item is turned on, an angle mark will be shown on the bottom of the screen if the scene can be seen from a different angle.

**Menu Skip (DVD-VIDEO):**

DVD menus are automatically configured and the contents will be played directly when the "Menu Skip" key is turned on. Note that some discs may not be played directly even if this item is turned on.

**CM Skip (DVD-VIDEO):**

Select the "CM Skip" key. Choose the setting time from 15, 30 or 60 seconds by selecting the "+" side or "-" side.

**DRC (DVD-VIDEO, DVD-VR):**

DRC (Dynamic Range Compression) automatically adjusts the soundtrack volume level to maintain a more even sound to the speakers.

**DVD Language (DVD-VIDEO, VIDEO-CD):**

Select the "DVD Language" key to open the number entry screen. Input the number corresponding to the preferred language and select the "OK" key. The DVD top menu language will be changed to the one specified.

**Display:**

To adjust the image quality of the screen, select the preferred adjustment items.

**Audio:**

Select the preferred language for audio.

**Subtitle (DVD-VIDEO, DVD-VR):**

Select the preferred language for subtitles.

**Display Mode (DVD-VIDEO, VIDEO-CD, DVD-VR):**

Select from the "Full", "Wide", "Normal" or "Cinema" modes.

**Title List (DVD-VR):**

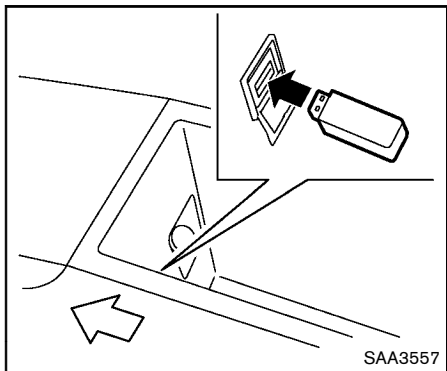
Select the preferred title from the list.

**Play Mode:**

Select the preferred play mode.

**PG/PL Mode (DVD-VR):**

Select the "PG" or "PL" mode.




USB MEMORY OPERATION (if so equipped)

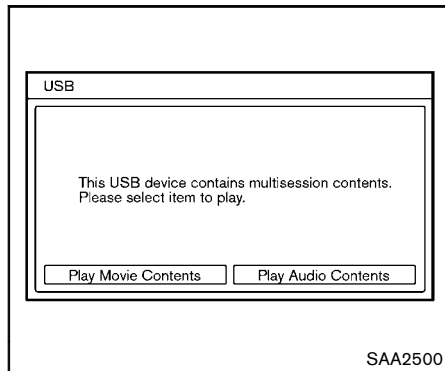
#### Audio main operation

Open the console lid and connect a USB memory as illustrated. Then, push the DISC-AUX or AUX button repeatedly to switch to the USB memory mode.

If the system has been turned off while the USB memory was playing, pushing the ON-OFF/VOL control knob will start the USB memory.

### CAUTION

- Depending on size and shape of USB device, the console lid may not fully close. Do not force console lid closed as this may damage USB device.
- Do not force the USB device into the USB port. Inserting the USB device tilted or up-side-down into the port may damage the USB device and the port. Make sure that the USB device is connected correctly into the USB port. (Some USB devices come with a  mark as a guide. Make sure that the mark is facing the correct direction before inserting the device.)
- Do not locate objects near the USB device to prevent the objects from leaning on the USB device and the port. Pressure from the objects may damage the USB device and the port.

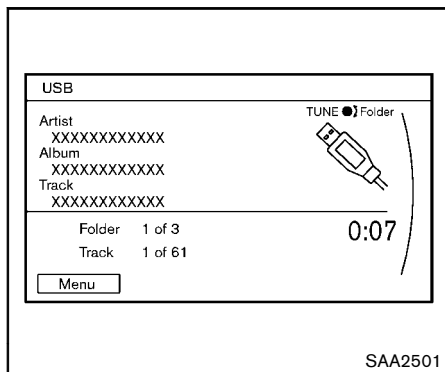


#### File selection (models with navigation system)

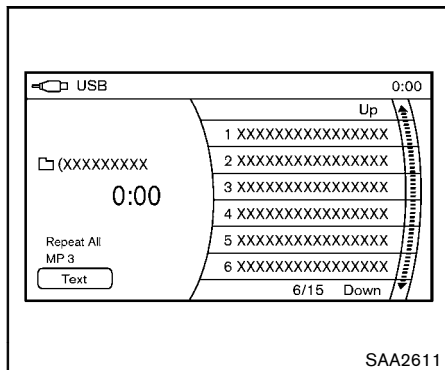
When there are both audio and movie files in the USB memory, the mode select screen is displayed. Select the preferred content to play.

When there is only one type of file, the audio or movie operation screen is displayed and the file will start to play.

If playback of a video file is restricted to a specific number of times, a confirmation screen will appear asking you if you want to play the file. Answer yes or no as requested by the display.



Models with navigation system



Models without navigation system

## Audio file operation

### **DISC-AUX** or **AUX** PLAY:

When the DISC-AUX or AUX button is pushed with the system off and the USB memory inserted, the system will turn on.

If another audio source is playing and a USB memory is inserted, push the DISC-AUX or AUX button repeatedly until the center display changes to the USB memory mode.

### **TRACK** **BECK CAT** **Next/Previous File and Fast Forward/Rewind:**

Push the FF or REW button for more than 1.5 seconds while a USB memory is being played to fast forward or rewind through a track. When the button is released, the USB memory will return to normal play speed.

When the FF button is pushed for less than 1.5 seconds while a USB memory is being played, the next track on the USB memory will be played.

When the REW button is pushed for less than 1.5 seconds within 3 seconds after the current track started playing, the previous track will be played.

When the REW button is pushed for less than 1.5 seconds after 3 seconds from when the

current track started playing, the beginning of the current track will be played.

The multi-function controller can also be used to select tracks when the USB memory is being played.

### **Folder selection:**

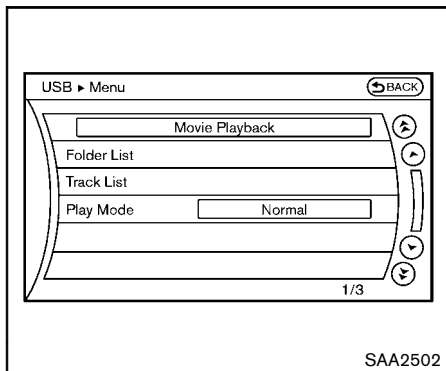
To change to another folder on the USB memory, turn the folder selector or choose a folder displayed on the screen using the multi-function controller.

### **RPT** **RDM** **REPEAT (RPT), RANDOM (RDM):**

When the RPT button is pushed while the USB memory is played, the play pattern can be changed as follows.

To change the play mode, push the RPT button repeatedly and the mode will change as follows.

Normal → 1 Folder Repeat → 1 Track Repeat → All Random → 1 Folder Random → Normal



### Menu (models with navigation system):

There are some options available during playback. Select one of the following options that are displayed on the screen if necessary. Refer to the following information for each item.

- **Movie Playback**

Switch to the movie playback mode. This item is displayed only when a USB memory contains movie files.

- **Folder List/Track List**

Displays the folder or track list. The "Movie Playback" key is also displayed in this list screen, and enables switching to the movie playback mode.

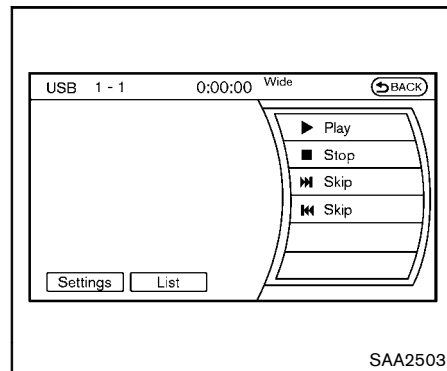
- **Play Mode**

Select the preferred play mode.

### Text (models without navigation system):

When the "Text" key is selected on the screen using the multi-function controller and then the ENTER button is pushed while a USB memory is being played, the music information listed below will be displayed on the screen.

- Folder title
- File title
- Song title
- Album Title
- Artist



Movie file operation (models with navigation system)

**Park the vehicle in a safe location for the front seat occupants to operate the USB memory while watching the images.**

### DISC AUX PLAY:

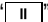

When the DISC-AUX button is pushed with the system off and the USB memory inserted, the system will turn on.

If another audio source is playing and a USB memory is inserted, push the DISC-AUX button repeatedly until the center display changes to the USB memory mode.


### Operation keys:

To operate the USB memory, select the desired key displayed on the operation screen using the multi-function controller.


#### **Pause**

Select the "" key to pause the movie file. To resume playing the movie file, select the "" key.


#### **Play**

Select the "" key to start playing a movie file, for example, after pausing a movie file.


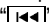
#### **STOP**

Select the "" key to stop playing a movie file.

#### **Skip (Next chapter)**

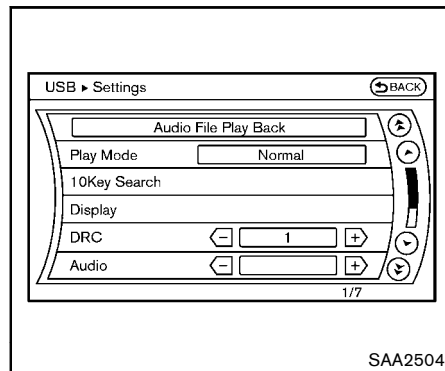
Select the "" key to skip the chapter(s) of the disc forward. The chapters will advance the number of times the ENTER button is pushed.

#### **Skip (Previous chapter)**

Select the "" key to skip the chapter(s) of the disc backward. The chapters will go back the number of times the "" key is selected.

### List:

Select the "List" key on the movie file operation screen to display the file list.



Example

### Settings:

Select the "Settings" key to adjust the following settings.

#### ● **Audio File Playback**

Switch to the audio playback mode. This item is displayed only when the USB memory contains the audio files.

#### ● **Play Mode**

Select the "Normal" or "1 Track Repeat" play mode.

#### ● **10 Key Search**

Select the "10 Key Search" key to open the number entry screen.

Input the number to be searched and select

the “OK” key.

The specified folder/file will be played.

- **Display**

To adjust the image quality of the screen, select the preferred adjustment items.

- **DRC**

DRC (Dynamic Range Compression) automatically adjusts the soundtrack volume level to maintain a more even sound to the speakers.

- **Audio**

Select the preferred language for audio.

- **Subtitle**

Select the preferred language for subtitle.

- **Display Mode**

Select the “Normal”, “Wide”, “Cinema” or “Full” mode.

## Bluetooth® STREAMING AUDIO (models with navigation system)

Your NISSAN is equipped with Bluetooth® Streaming Audio. If you have a compatible Bluetooth® device with streaming audio (A2DP profile), you can set up the wireless connection between your Bluetooth® device and the in-vehicle audio system. This connection allows you to listen to the audio from the Bluetooth® device using your vehicle speakers. It also may allow basic control of the device for playing and skipping audio files using the AVRCP Bluetooth® profile. All Bluetooth® Devices do not have the same level of controls for AVRCP. Please consult the manual for your Bluetooth® Device for more details.

Once your Bluetooth® device is connected to the in-vehicle audio system, it will automatically reconnect whenever the device is present in the vehicle and you select Bluetooth® Audio from your audio system. You do not need to manually reconnect for each usage.

Wireless LAN (Wi-Fi) and the Bluetooth® functions share the same frequency band (2.4 GHz). Using the Bluetooth® and the wireless LAN functions at the same time may slow down or disconnect the communication and cause undesired noise. It is recommended that you turn off the wireless LAN (Wi-Fi) when using the

Bluetooth® functions.

## Regulatory information

### FCC Regulatory information:

- **CAUTION:** To maintain compliance with FCC’s RF exposure guidelines, use only the supplied antenna. Unauthorized antenna, modification, or attachments could damage the transmitter and may violate FCC regulations.
- Operation is subject to the following two conditions:
  - 1) This device may not cause interference and
  - 2) This device must accept any interference, including interference that may cause undesired operation of the device

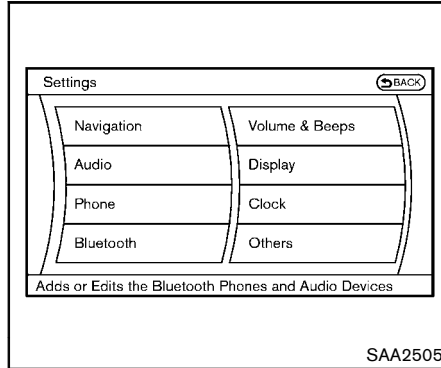
### IC Regulatory information:

- Operation is subject to the following two conditions:
  - 1) This device may not cause interference, and
  - 2) This device must accept any interference, including interference that may cause undesired operation of the device.
- This Class B digital apparatus meets all requirements of the Canadian Interference-Causing Equipment Regulations.

Bluetooth trademark:

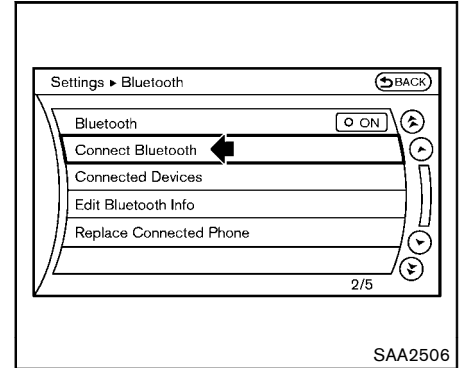


Bluetooth® is a trademark owned by Bluetooth SIG, Inc. and licensed to Clarion Co., Ltd.



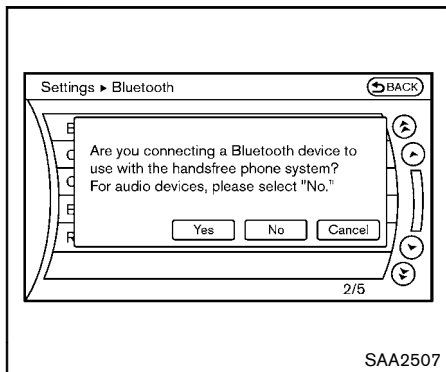
### Connecting procedure

1. Push the **SETTING** button and select the "Bluetooth" key.



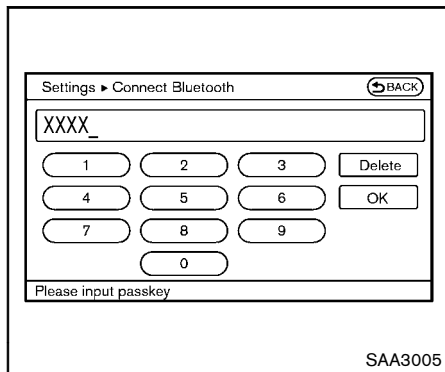
2. Select the "Connect Bluetooth" key.



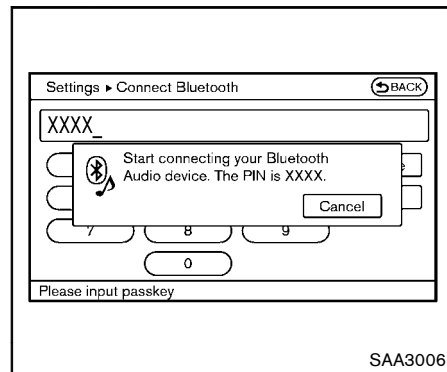


3. A confirmation screen will be displayed. Select "No".

Note: Selecting "Yes" will only connect the hands free phone portion of a Bluetooth® device.

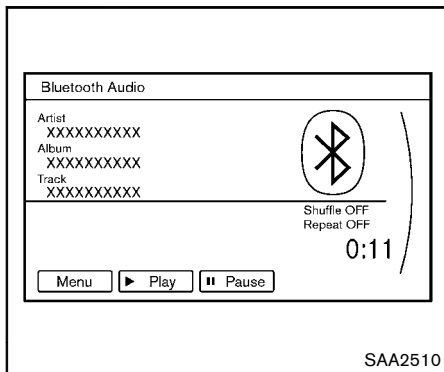


4. Choose a PIN code to use with the compatible Bluetooth® audio device using the number input screen. The PIN code will need to be entered into the Bluetooth® audio device after step 5. Select the "OK" key.



5. The standby message screen will appear. Operate the compatible Bluetooth® audio device. For the connecting procedure of the audio device, see the Bluetooth® audio instructions.

When the connecting is completed, the screen will return to the Bluetooth® setup display.



## Audio main operation

Push the ignition switch to the ACC or ON position. Then, push the DISC-AUX button repeatedly to switch to the Bluetooth® audio mode. If the system has been turned off while the Bluetooth® audio device was playing, pushing the ON-OFF/VOL control knob will start the Bluetooth® audio device.

The ability to pause, change tracks, fast forward, rewind, randomize and repeat music may be different between devices. Some or all of these functions may not be supported on each device.

### **DISC-AUX button:**

When the DISC-AUX button is pushed with the system off and the Bluetooth® audio device connected, the system will turn on. If another audio source is playing and the Bluetooth® audio device is connected, push the DISC-AUX button repeatedly until the display changes to the Bluetooth® audio mode.

### **Next/Previous Track and Fast Forward/Rewind:**

Push the FF or REW button for more than 1.5 seconds while a Bluetooth® file is being played to fast forward or rewind through the track. When the button is released, the Bluetooth® audio device will return to the normal play speed.

When the FF button is pushed for less than 1.5 seconds while the Bluetooth® audio device is being played, the next track will be played.


When the REW button is pushed for less than 1.5 seconds within 3 seconds after the current track started playing, the previous track will be played.

When the REW button is pushed for less than 1.5 seconds after 3 seconds from when the current track started playing, the beginning of the current track will be played.

The multi-function controller can also be used to

select tracks when the Bluetooth® audio is playing.

### **REPEAT (RPT), RANDOM (RDM):**


To change the play mode, push the  button repeatedly and the mode changes as follows.

Normal → Shuffle All Tracks → Shuffle Group → Repeat 1 Track → Repeat All Tracks → Repeat Group → Normal


### **Operation keys:**

To operate a Bluetooth® audio device, select a key displayed on the operation screen using the multi-function controller.

#### **Play**

Select the "" key to start playing when pausing. Select this key again to pause the audio play.

#### **Pause**

Select the "" key to pause the Bluetooth® audio device. Select this key again to resume playing.

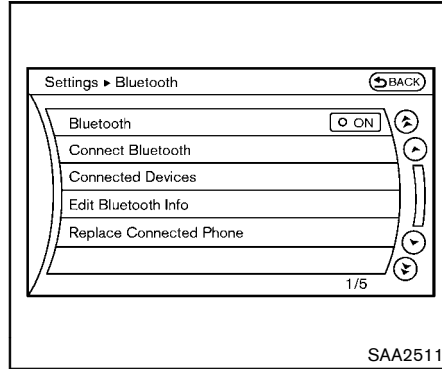
### **Play Mode:**

The play mode setting display will appear when the "Menu" key is selected.

Choose the preferred play mode from the

following items.

- **Shuffle**  
Choose “Shuffle OFF”, “Shuffle All Tracks” and “Shuffle Group”.
- **Repeat**  
Choose from “Repeat OFF”, “Repeat 1 Track”, “Repeat All Tracks” and “Repeat Group”.



### Bluetooth® settings

To set up the Bluetooth® device system to the preferred settings, push the SETTING button and select the “Bluetooth” key.

#### **Bluetooth:**

If this setting is turned off, the connection between the Bluetooth® devices and the in-vehicle Bluetooth® module will be canceled.

#### **Connect Bluetooth:**

Connects to the Bluetooth® device. See “Connecting procedure” earlier in this section. Up to 5 devices can be registered.

### **Connected Devices:**

Registered devices are shown on the list. Select a Bluetooth® device from the list, the following options will be available.

- **Select**

Select “Select” to connect the selected device to the vehicle. If there is a different device currently connected, the selected device will replace the current device.

- **Edit**

Rename the selected Bluetooth® device using the keypad displayed on the screen. (See “How to use touch screen (models with navigation system)” earlier in this section.)

- **Delete**

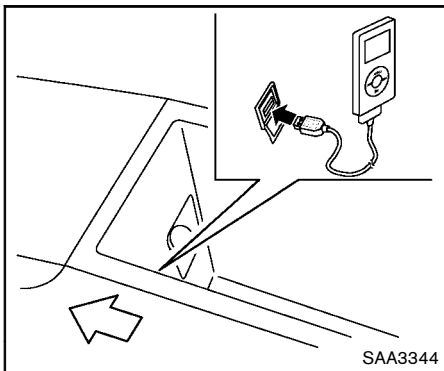
Delete the selected Bluetooth® device.

#### **Edit Bluetooth Info:**

Change the name broadcasted by this system over Bluetooth®. Change the PIN code that is entered when connecting a hands free device to this system.

#### **Replace Connected Phone:**

Replace the Bluetooth® connection with a connected Bluetooth® cellular phone. For details about Hands-Free Phone System, see “Bluetooth® Hands-Free Phone System (models with navigation system)” later in this section.



## iPod® PLAYER OPERATION (if so equipped)

### Connecting iPod®

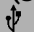
Open the console lid and connect the iPod® cable to the USB connector. If compatible, the battery of the iPod® is charged while the connection to the vehicle.

Depending on the version of the iPod®, the display on the iPod® shows a NISSAN or Accessory Attached screen when the connection is completed. When the iPod® is connected to the vehicle, the iPod® music library can only be operated by the vehicle audio controls.

\* iPod® is a trademark of Apple Inc., registered in

the U.S. and other countries.

### CAUTION

- Depending on size and shape of iPod® and iPod® cable, the console lid may not fully close. Do not force console lid closed as this may damage iPod® and iPod® cable.
  - Do not force the iPod® cable into the USB port. Inserting the iPod® cable tilted or up-side-down into the port may damage the iPod® cable and the port. Make sure that the iPod® cable is connected correctly into the USB port. (Some iPod® cable come with a  mark as a guide. Make sure that the mark is facing the correct direction before inserting the iPod® cable.)
  - Do not locate objects near the iPod® cable to prevent the objects from leaning on the iPod® cable and the port. Pressure from the objects may damage the iPod® cable and the port.
- #### Compatibility
- The following models are available:
- #### Models with navigation system:
- Fifth generation iPod® (firmware 1.2.3 or later)
  - iPod classic® (firmware 1.1.1 or later)
  - First generation iPod touch® (firmware 2.0.0 or later)
  - Second generation iPod touch® (firmware 1.2.3 or later)
  - First generation iPod nano® (firmware 1.3.1 or later)
  - Second generation iPod nano® (firmware 1.1.3 or later)
  - Third generation iPod nano® (firmware 1.1 or later)
  - Fourth generation iPod nano® (firmware 1.0.2 or later)
- #### Models without navigation system:
- Fifth generation iPod® (firmware version 1.3)
  - First generation iPod classic® (firmware version 1.1.2 PC)
  - Second generation iPod classic® (firmware version 2.0 PC)
  - First generation iPod touch® (firmware version 2.1)

- Second generation iPod touch® (firmware version 2.1.1)
- First generation iPod nano® (firmware version 1.3.1)
- Second generation iPod nano® (firmware version 1.1.3)
- Third generation iPod nano® (firmware version 1.1 PC)
- Third generation iPhone® (firmware version 2.1)

Make sure that the iPod® firmware is updated.

### Audio main operation

Push the ignition switch to the ACC or ON position. Then, push the DISC-AUX button repeatedly to switch to the iPod® mode.

If the system has been turned off while the iPod® was playing, pushing the ON-OFF button will start the iPod®.

### or play:

When the DISC-AUX or AUX button is pushed with the system off and the iPod® connected, the system will turn on. If another audio source is playing and the iPod® is connected, push the DISC-AUX or AUX button repeatedly until the center display changes to the iPod® mode.



### Interface:

The interface for iPod® operation shown on the vehicle center display is similar to the iPod® interface. Use the multi-function controller and the ENTER or BACK button to play the iPod® with your favorite settings.

The following items can be chosen from the menu list screen. For further information about each item, see the iPod® Owner's Manual.

- Now Playing
- Playlists
- Artists
- Albums
- Songs
- Podcasts
- Genres
- Composers
- Audiobooks
- Shuffle Songs

The following touch-panel buttons shown on the screen are also available:

-  : returns to the previous screen.
-  : plays/pauses the music selected.



### Next/Previous Track and Fast Forward/Rewind:

Push the FF or REW button for more than 1.5 seconds while the iPod® is playing to fast forward or rewind through a track. When the button is released, the iPod® will return to the normal play speed.

When the FF button is pushed for less than 1.5 seconds while the iPod® is being played, the next track will be played.

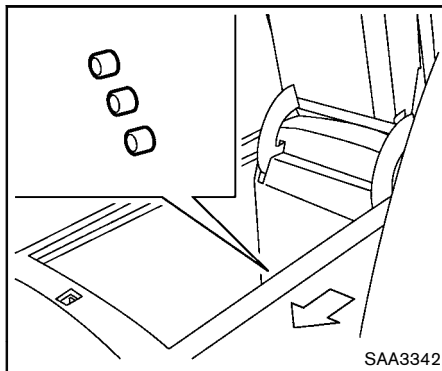
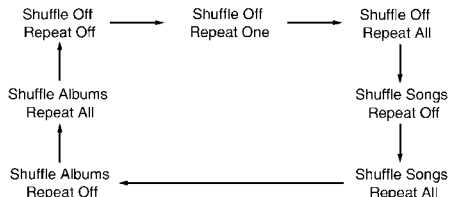
When the REW button is pushed for less than 1.5 seconds within 3 seconds after the current track started playing, the previous track will be played.

When the REW button is pushed for less than 1.5 seconds after 3 seconds from when the current track started playing, the beginning of the current track will be played.

The multi-function controller can also be used to select tracks when the iPod® is playing.

**RPT**  
**RDM** **REPEAT (RPT), RANDOM (RDM):**

When the RPT button is pushed while a track is being played, the play pattern can be changed as follows:



**AUXILIARY INPUT JACKS (if so equipped)**

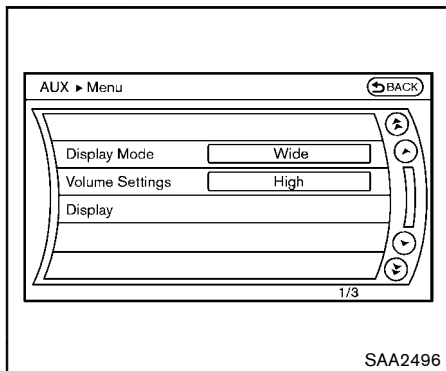
The auxiliary input jacks are located in the center console. NTSC compatible devices such as video games, camcorders and portable video players can be connected to the auxiliary jacks. Compatible audio devices, such as some MP3 players, can also be connected to the system through the auxiliary jacks.

The auxiliary jacks are color coded for identification purposes.

- Yellow - video input
- White - left channel audio input

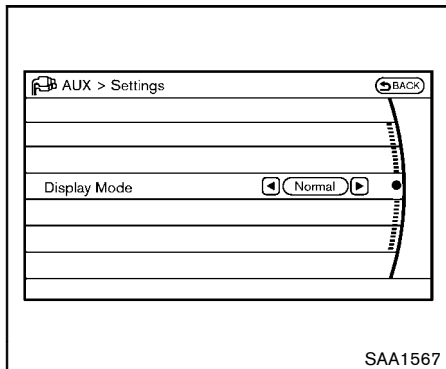
- Red - right channel audio input
- Before connecting a device to a jack, turn off the power of the portable device.

With a compatible device connected to the jacks, push the DISC-AUX or AUX button repeatedly until the display switches to the AUX mode.



SAA2496

**Models with navigation system**



SAA1567

**Models without navigation system**

## AUX Menu

When the “Menu” key on the display is selected while in the AUX mode, the menu screen will be displayed.

### Display Mode:

Choose the display mode from the following items.

- Normal
- Wide
- Cinema

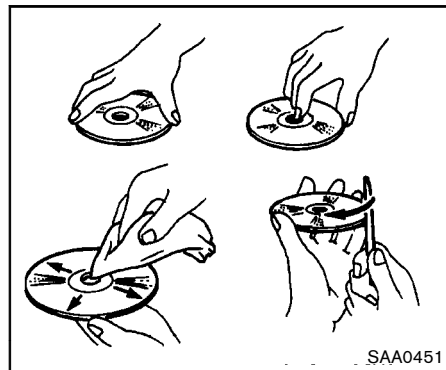
### Volume Settings (models with navigation system):

Choose the volume setting from the following items.

- Low
- Medium
- High

### Display (models with navigation system):

Adjust the image quality of the screen, select the preferred adjustment items.



SAA0451

## CD/DVD/USB MEMORY CARE AND CLEANING

### CD/DVD

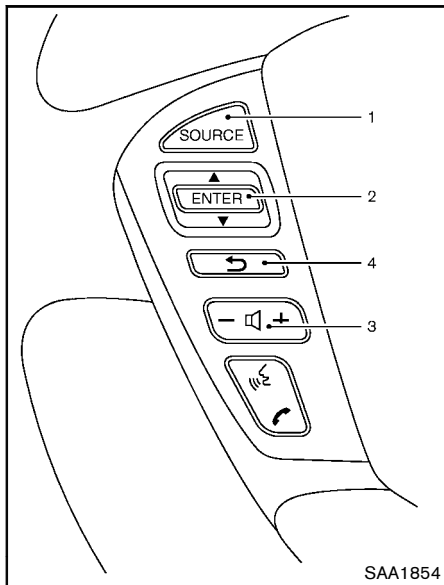
- Handle a CD/DVD by its edges. Never touch the surface of the disc. Do not bend the disc.
  - Always place the discs in the storage case when they are not being used.
  - To clean a disc, wipe the surface from the center to the outer edge using a clean, soft cloth. Do not wipe the disc using a circular motion.
- Do not use a conventional record cleaner or alcohol intended for industrial use.

- A new disc may be rough on the inner and outer edges. Remove the rough edges by rubbing the inner and outer edges with the side of a pen or pencil as illustrated.

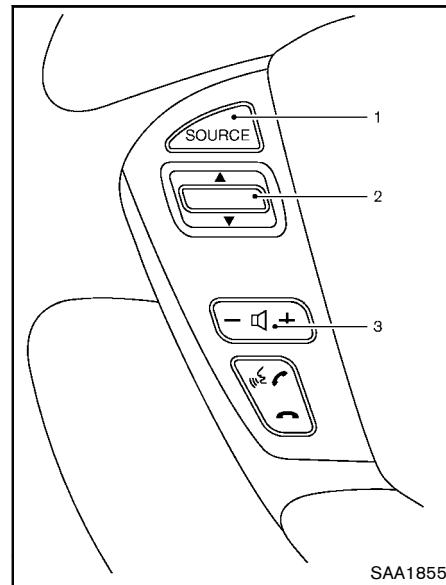
### USB memory

- Do not touch the terminal portion of the USB memory.
- Do not place heavy objects on the USB memory.
- Do not store the USB memory in highly humid locations.
- Do not expose the USB memory to direct sunlight.
- Do not spill any liquids on the USB memory.

Refer to the USB memory Owner's Manual for the details.



With navigation system



Without navigation system

1. Source select switch
2. Menu control switch (models with navigation system) or audio tuning switch (models without navigation system)
3. Volume control switch
4. BACK switch



## STEERING-WHEEL-MOUNTED CONTROLS FOR AUDIO (if so equipped)

Menu control switch (models with navigation system) or audio tuning switch (models without navigation system)

While the display is showing a MAP (navigation systems only), STATUS or Audio screen, tilt the switch upward or downward to select a station, track, CD or folder. For most audio sources, tilting the switch up/down for more than 1.5 seconds provides a different function than tilting up/down for less than 1.5 seconds.

### AM and FM radio:

- Tilting up/down for less than 1.5 seconds will skip up or down through the preset stations.
- Tilting up/down for more than 1.5 seconds will seek up or down to the next station.
- Pushing the menu control switch will show the list of preset stations.

### SiriusXM Satellite Radio:

- Tilting up/down for less than 1.5 seconds will skip up or down through the preset channels.
- Tilting up/down for more than 1.5 seconds will go to the next or previous category.

- Pushing the menu control switch will show the XM Menu.

### iPod®:

- Tilting up/down for less than 1.5 seconds will skip up or down through the tracks.
- Pushing the menu control switch will show the iPod Menu.

### CD:

- Tilting up/down for less than 1.5 seconds will skip up or down through the tracks.
- Tilting up/down for more than 1.5 seconds will skip up or down through the folders (if playing compressed audio files).
- Pushing the menu control switch will show the CD Menu.

### DVD (models with navigation system):

- Tilting up/down for less than 1.5 seconds will skip up or down through the tracks.
- Tilting up/down for more than 1.5 seconds will skip up or down through the titles.
- Pushing the menu control switch will select an item from the DVD display.
- When the transparent operation menu appears, the switch will control the menu.


### USB:

- Tilting up/down for less than 1.5 seconds will skip up or down through the tracks.

- Tilting up/down for more than 1.5 seconds will skip up or down through the folders.
- Pushing the menu control switch will show the USB Menu.

### Bluetooth® Audio (models with navigation system):

- Tilting up/down for less than 1.5 seconds will skip up or down through the tracks.

 BACK switch (models with navigation system)

Push this switch to go back to the previous screen or cancel the selection if it is not completed.

### Volume control switches

Push the upper (+) or lower (-) side switch to increase or decrease the volume.

### Source select switch

Push the source select switch to change the mode to available audio source.

## ANTENNA

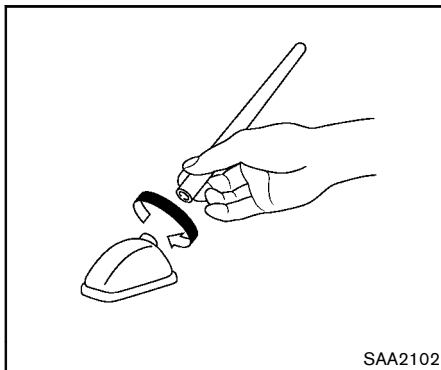
Window antenna (for Hardtop models)

The antenna pattern is printed inside the rear window.



### CAUTION

- Do not place metalized film near the rear window glass or attach any metal parts to it. This may cause poor reception or noise.
- When cleaning the inside of the rear window, be careful not to scratch or damage the rear window antenna. Lightly wipe along the antenna with a dampened soft cloth.



Roof antenna (for Hardtop models) and trunk mounted antenna (for CrossCabriolet models)

#### Removing the antenna:

You can remove the antenna if necessary.

Hold the bottom of the antenna and remove by turning counterclockwise.

To install the antenna, turn the antenna clockwise and tighten.



### CAUTION

- To avoid damaging or deforming the antenna, be sure to remove the antenna under the following conditions.
  - The vehicle enters an automatic car wash (for Hardtop models).
  - The vehicle enters a garage with a low ceiling.
  - The vehicle is covered with a car cover.
- Always properly tighten the antenna rod during installation. Otherwise, the antenna rod may break during vehicle operation.

## CAR PHONE OR CB RADIO

When installing a car phone or a CB radio in your vehicle, be sure to observe the following cautions, otherwise the new equipment may adversely affect the electronic control modules and electronic control system harness.



### WARNING

- A cellular phone should not be used for any purpose while driving so full attention may be given to vehicle operation. Some jurisdictions prohibit the use of cellular phones while driving.
- If you must make a call while your vehicle is in motion, the hands-free cellular phone operational mode (if so equipped) is highly recommended. Exercise extreme caution at all times so full attention may be given to vehicle operation.
- If a conversation in a moving vehicle requires you to take notes, pull off the road to a safe location and stop your vehicle before doing so.



### CAUTION

- Keep the antenna as far away as possible from the electronic control modules.
- Keep the antenna wire more than 8 in (20 cm) away from the electronic control system harness. Do not route the antenna wire next to any harness.
- Adjust the antenna standing-wave ratio as recommended by the manufacturer.
- Connect the ground wire from the CB radio chassis to the body.
- For details, consult a NISSAN dealer.



### WARNING

- Use a phone after stopping your vehicle in a safe location. If you have to use a phone while driving, exercise extreme caution at all times so full attention may be given to vehicle operation.
- If you find yourself unable to devote full attention to vehicle operation while talking on the phone, pull off the road to a safe location and stop your vehicle before doing so.



### CAUTION

To avoid draining the vehicle battery, use a phone after starting the engine.

Your NISSAN is equipped with Bluetooth® Hands-Free Phone System. If you are an owner of a compatible Bluetooth® enabled cellular phone, you can set up the wireless connection between your cellular phone and the in-vehicle phone module. With Bluetooth® wireless technology, you can make or receive a telephone call with your cellular phone in your pocket.

Once a cellular phone is connected to the in-vehicle phone module, no phone connecting procedure is required anymore. Your phone is automatically connected with the in-vehicle phone module when the ignition switch is pushed to the ON position with the registered cellular phone turned on and carried in the vehicle.

You can register up to 5 different Bluetooth® cellular phones in the in-vehicle phone module. However, you can talk on only one cellular phone at a time.

The NISSAN Voice Recognition system supports the phone commands, so dialing a phone number using your voice is possible. For more details, see “NISSAN voice recognition system (models with navigation system)” later in this section; page 4-112.

Before using the Bluetooth® Hands-Free Phone System, refer to the following notes.

- Wireless LAN (Wi-Fi) and the Bluetooth® functions share the same frequency band (2.4 GHz). Using the Bluetooth® and the wireless LAN functions at the same time may slow down or disconnect the communication and cause undesired noise. It is recommended that you turn off the wireless LAN (Wi-Fi) when using the Bluetooth® functions.

- Set up the wireless connection between a compatible cellular phone and the in-vehicle phone module before using the Bluetooth® Hands-Free Phone System.
- Some Bluetooth® enabled cellular phones may not be recognized by the in-vehicle phone module. Please visit [www.nissanusa.com/bluetooth](http://www.nissanusa.com/bluetooth) for a recommended phone list.
- You will not be able to use a hands-free phone under the following conditions:
  - Your vehicle is outside of the telephone service area.
  - Your vehicle is in an area where it is difficult to receive radio waves; such as in a tunnel, in an underground parking garage, behind a tall building or in a mountainous area.
  - Your cellular phone is locked in order not to be dialed.
- When the radio wave reception is not ideal or ambient sound is too loud, it may be difficult for the other party to hear your voice during a call. Please close the windows if possible.
- Immediately after the ignition switch is pushed to the ON position, it may be impossible to receive a call for a short period of time.
- Do not place the cellular phone in an area surrounded by metal or far away from the in-vehicle phone module to prevent tone quality degradation and wireless connection disruption.
- While a cellular phone is connected through the Bluetooth® wireless connection, the battery power of the cellular phone may discharge quicker than usual.
- If the Bluetooth® Hands-Free Phone System seems to be malfunctioning, please visit [www.nissanusa.com/bluetooth](http://www.nissanusa.com/bluetooth) for troubleshooting help.
- Some cellular phones or other devices may cause interference or a buzzing noise to come from the audio system speakers. Storing the device in a different location may reduce or eliminate the noise.
- Refer to the cellular phone Owner's Manual regarding the telephone pairing procedure specific to your phone, battery charging, cellular phone antenna, etc.
- The antenna display on the monitor will not coincide with the antenna display of some cellular phones.
- Keep the interior of the vehicle as quiet as possible to hear the caller's voice clearly as well as to minimize its echoes.

- If reception between callers is unclear, adjusting the incoming or outgoing call volume may improve the clarity.

## REGULATORY INFORMATION

### FCC Regulatory information

- **CAUTION:** To maintain compliance with FCC's RF exposure guidelines, use only the supplied antenna. Unauthorized antenna, modification, or attachments could damage the transmitter and may violate FCC regulations.
- Operation is subject to the following two conditions:
  1. this device may not cause interference and
  2. this device must accept any interference, including interference that may cause undesired operation of the device

### IC Regulatory information

- Operation is subject to the following two conditions: (1) this device may not cause interference, and (2) this device must accept any interference, including interference that may cause undesired operation of the device.
- This Class B digital apparatus meets all requirements of the Canadian Interference-Causing Equipment Regulations.

Bluetooth trademark:

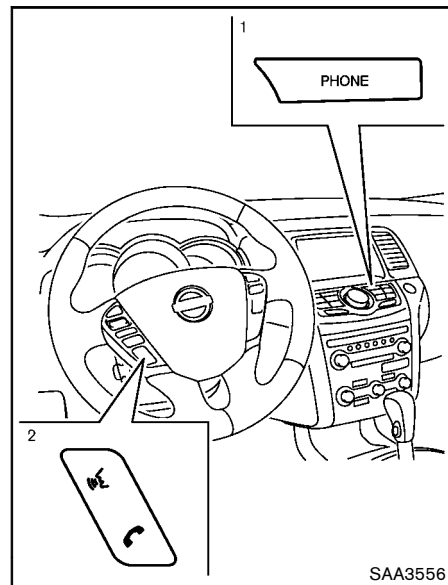


Bluetooth® is a trademark owned by Bluetooth SIG, Inc. and licensed to Clarion Co., Ltd.

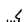

### VOICE COMMANDS

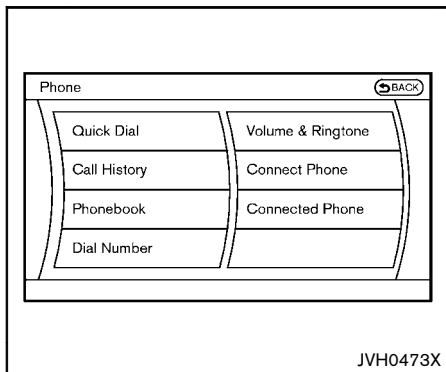
You can use voice commands to operate various Bluetooth® Hands-Free Phone System features using the NISSAN Voice Recognition system.

For more details, see "NISSAN voice recognition system (models with navigation system)" later in this section; page 4-112.




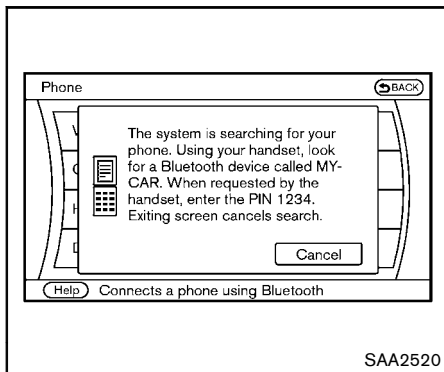
### CONTROL BUTTONS

1. PHONE button
2. TALK  /PHONE SEND  button



## CONNECTING PROCEDURE

1. Push the PHONE button or the  button, and select the "Connect Phone" key.



2. When a PIN code appears on the screen, operate the compatible Bluetooth® cellular phone to enter the PIN code.

The connecting procedure of the cellular phone varies according to each cellular phone. See the cellular phone Owner's Manual for the details. You can also visit [www.nissanusa.com/bluetooth](http://www.nissanusa.com/bluetooth) or call NISSAN Consumer Affairs Department for instructions on pairing NISSAN recommended cellular phones.

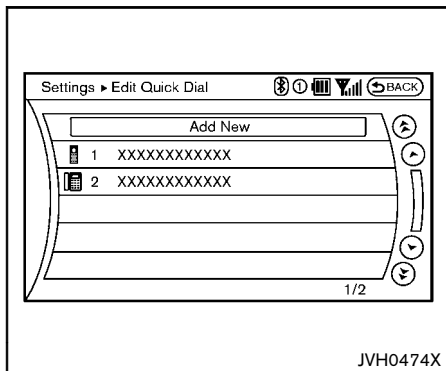
When the connection process is completed, the screen will return to the Phone menu display.

## PHONE SELECTION

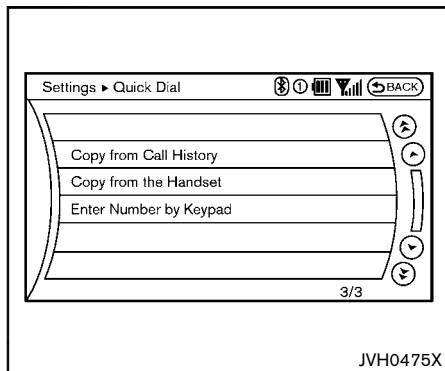
Up to 5 cellular phones can be registered to the system. To switch to connect another cellular phone, push PHONE button and select the "Connected Phones" key. The registered cellular phones are shown on the list. If you select a cellular phone that is different from the one currently connected, the newly selected phone will be connected to the system.

## QUICK DIAL

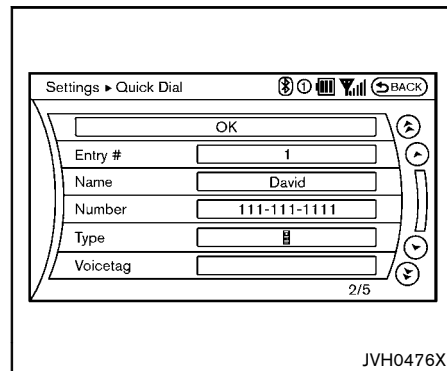
This vehicle has two phonebooks available for hands-free use. Depending on the phone, the system may automatically download the entire cell phone's phonebook into the "Phonebook". For the details about downloading a phonebook, see "Phone setting" later in this section. If a phonebook does not automatically download, up to 1,000 entries may be set in the navigation system as the Quick Dial. This Quick Dial allows the recording of a name to speak while using voice recognition.



1. Push the PHONE button and select the "Quick Dial" key.
2. Select the "Add New" key at the top of the screen.



3. Choose the method for entering the phone-book entry. For this example, select "Enter Number by Keypad".
4. Enter the digits and select the "OK" key. (See "How to use touch screen (models with navigation system)" earlier in this section.)



5. Select the "Voicetag" key to record a name to speak when using the NISSAN Voice Recognition system.
6. Select the "Store" key and prepare to speak the name after the tone.
7. When the voicetag is successfully saved, select the "OK" key to save the Quick Dial entry.
8. After the Quick Dial entry is saved, it will show a screen that is ready to call the number. Press the BACK button to return to the Quick Dial.

There are different methods to input a phone number. Select one of the following options

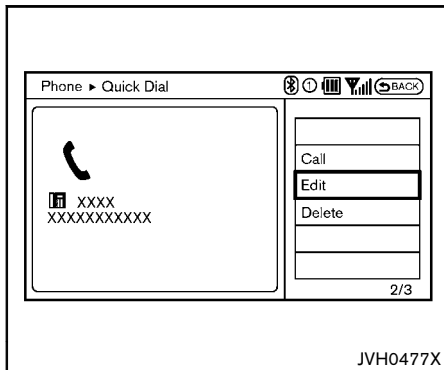
instead of “Enter Number by Keypad” in step 3.

- **Copy from Call History**

The system will show a list of incoming, outgoing or missed calls that were downloaded from the connected cellular phone (depending on the phone's compatibility). Select one of these entries to save in the Quick Dial.

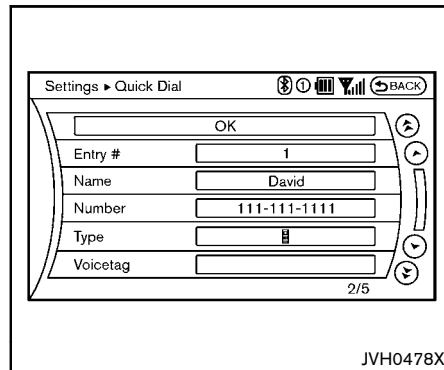
- **Copy from the Handset**

The system will show the connected cellular phone's phonebook that was downloaded (depending on the phone's compatibility). Select one of these entries to save in the Quick Dial.



### Editing the Quick Dial

1. Push the PHONE button and select the “Quick Dial” key.
2. Select the desired entry from the displayed list.
3. Select the “Edit” key.
4. Select the desired item to change.



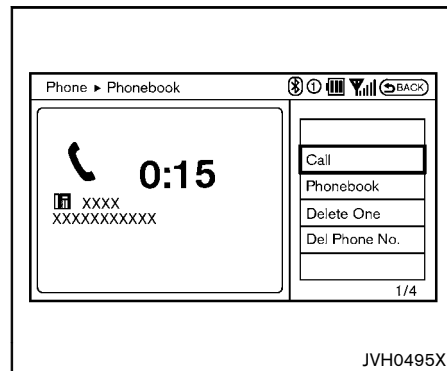
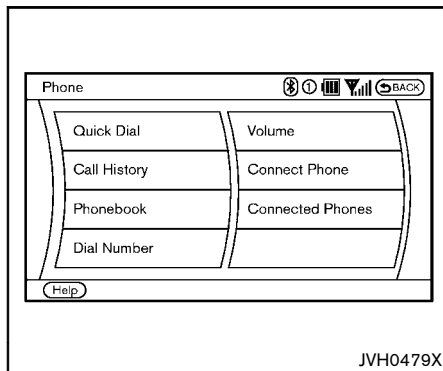
The following editing items are available:

- **Entry #**  
Changes the displayed number of the selected entry.
- **Name**  
Edit the name of the entry using the keypad displayed on the screen.
- **Number**  
Edit the phone number using the keypad displayed on the screen.
- **Type**  
Select an icon from the icon list.
- **Voicetag**  
Confirm and store the voicetag. Voicetags




allow easy dialing using the NISSAN Voice Recognition system. (See “NISSAN voice recognition system (models with navigation system)” later in this section.)

To delete an entry, select the “Delete” key at step 3.



## MAKING A CALL

To make a call, follow this procedure.

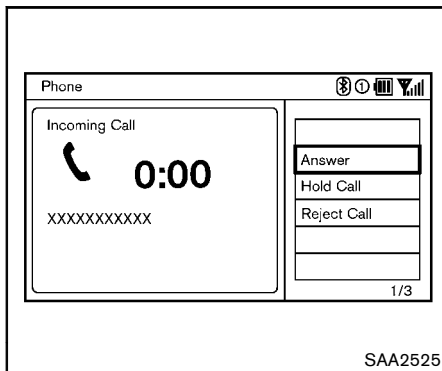
1. Push the PHONE button on the instrument panel or the  button on the steering wheel. The “Phone” screen will appear on the display.
2. Select the “Phonebook” key on the Phone menu.
3. Select the desired entry from the list.
4. Confirm the correct entry by selecting for the correct number from the list.

5. Select the “Call” key to start dialing the number.

There are different methods to make a call. Select one of the following options instead of “Phonebook” in step 2 above.

- **Quick Dial**  
Select an entry stored in the Quick Dial.
- **Call History**  
Select an outgoing, incoming or missed call downloaded from your cell phone (depending on your phone’s compatibility).
- **Dial Number**  
Input the phone number manually using the keypad displayed on the screen. (See “How

to use touch screen (models with navigation system)” earlier in this section.)




- **Hold Call**

Put an incoming call on hold.

- **Reject Call**


Reject an incoming call.

To finish the call, perform one of the following procedures listed below.

1. Select the “Hang up” key.
2. Push the PHONE button on the instrument panel.
3. Push the  button on the steering wheel.

## RECEIVING A CALL

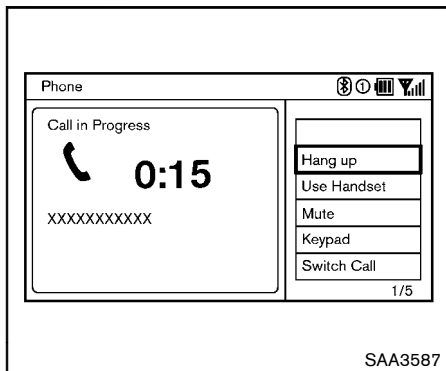
When you hear a phone ring, the display will change to the incoming call mode. To receive a call, perform one of the following procedures listed below.

1. Select the “Answer” key.
2. Push the PHONE button on the instrument panel.
3. Push the  button on the steering wheel.

There are some options available when receiving a call. Select one of the following displayed on the screen.

- **Answer**

Accept an incoming call to talk.



## DURING A CALL

There are some options available during a call. Select one of the following displayed on the screen if necessary.

- **Hang up**  
Finish the call.
- **Use Handset**  
Transfer the call to the cellular phone.
- **Mute**  
Mute your voice to the person.
- **Keypad**  
Using the touch tone, send digits to the connected party for using services such as voicemail.

- **Cancel Mute**

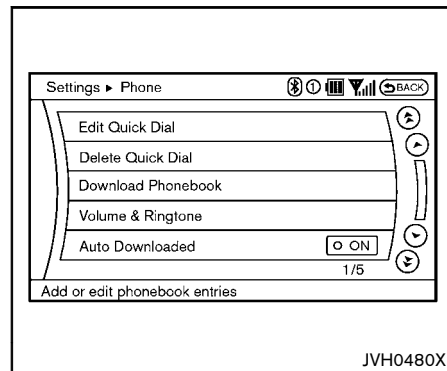
This will appear after "Mute" is selected. Mute will be canceled.

- **Switch Call\***

Select "Switch Call" to answer another incoming call. By selecting "Hang up", you can end a call and can speak to a caller who is on hold again.

\* This function may not be usable, depending on the model of phone.

To adjust the person's voice to be louder or quieter, push the volume control switch (+ or -) on the steering wheel or turn the volume control knob on the instrument panel while talking on the phone. This adjustment is also available in the SETTING mode.



## PHONE SETTING

To set up the Bluetooth® Hands-Free Phone System to your preferred settings, push the SETTING button on the instrument panel and select the "PHONE" key.

### Edit Quick Dial

To edit the Quick Dial, use the same procedure as described in "Quick Dial" earlier in this section.

## Delete Quick Dial

The Quick Dial entries can be deleted all at the same time or one by one.

## Download Phonebook

Download the contacts registered in a Bluetooth® cellular phone. Availability of this function depends on each cellular phone. The memory downloading procedure from the cellular phone also varies according to each cellular phone. See cellular phone Owner's Manual for details.

## Volume & Ringtone

The following kinds of phone volume can be set. Pushing the PHONE button and selecting the "Volume & Ringtone" key can also operate the same settings.

- **Ringtone/Incoming Call/Outgoing Call**

To increase or decrease the volume, select the "Ringtone", "Incoming Call" or "Outgoing Call" key and adjust it with the multi-function controller.

- **Automatic Hold**

When this function is activated, an incoming phone call is automatically held.

- **Vehicle Ringtone**

When this function is activated, a specific ringtone that is different from the cellular phone will sound when receiving a call.

## Auto Download

When this item is activated, the phonebook of a hands-free phone is automatically downloaded at the same time that the hands-free phone is connected.

## TROUBLESHOOTING GUIDE

The system should respond correctly to all voice commands without difficulty. If problems are encountered, try the following solutions.

Where the solutions are listed by number, try each solution in turn, starting with number 1, until the problem is resolved.

| Symptom  | Solution   |
|--|--|
| The system fails to interpret the command correctly. | 1. Ensure that the command is valid. (See "NISSAN voice recognition system (models with navigation system)" later in this section; page 4-112.)  |
|  | 2. Ensure that the command is spoken after the tone.   |
|  | 3. Speak clearly without pausing between words and at a level appropriate to the ambient noise level in the vehicle.   |
|  | 4. Ensure that the ambient noise level is not excessive (for example, windows open or defroster on). NOTE: If it is too noisy to use the phone, it is likely that the voice commands will not be recognized. |
|  | 5. If more than one command was said at a time, try saying the commands separately.  |
| The system consistently selects the wrong voicetag.  | 1. Ensure that the voicetag requested matches what was originally stored. (See "Quick Dial" earlier in this section.)  |
|  | 2. Replace one of the names being confused with a new name.  |
| The system cannot be operated.                       | Close the soft top (for CrossCabriolet models).  |

## **Bluetooth® HANDS-FREE PHONE SYSTEM (models without navigation system) (if so equipped)**



### **WARNING**

- **Use a phone after stopping your vehicle in a safe location. If you have to use a phone while driving, exercise extreme caution at all times so full attention may be given to vehicle operation.**
- **If you find yourself unable to devote full attention to vehicle operation while talking on the phone, pull off the road to a safe location and stop your vehicle before doing so.**



### **CAUTION**

**To avoid draining the vehicle battery, use a phone after starting the engine.**

Your vehicle is equipped with Bluetooth® Hands-Free Phone System. If you are an owner of a Bluetooth® enabled cellular phone, you can set up the wireless connection between your cellular phone and the in-vehicle phone module. With Bluetooth® wireless technology, you can make or receive a telephone call with your cellular phone in your pocket.

Once your cellular phone is paired to the in-vehicle phone module, no phone connecting procedure is required. Your phone is automatically connected with the in-vehicle phone module when the ignition switch is pushed to the "ON" position with the registered cellular phone turned on and carried in the vehicle.

You can register up to 5 different Bluetooth® cellular phones in the in-vehicle phone module. However, you can talk on only one cellular phone at a time.

When a call is active, the audio system and microphone (located in the ceiling in front of the rearview mirror) are used for the handsfree communications.

If the audio system is being used at the time, the audio mode will mute and will stay muted until the active call is ended.

The NISSAN Voice Recognition system supports the phone commands, so dialing a phone number using your voice is possible.

Before using the Bluetooth® Hands-Free Phone System, refer to the following notes.

- Wireless LAN (Wi-Fi) and the Bluetooth® functions share the same frequency band (2.4 GHz). Using the Bluetooth® and the wireless LAN functions at the same time may slow down or disconnect the communication and cause undesired noise. It is

recommended that you turn off the wireless LAN (Wi-Fi) when using the Bluetooth® functions.

- Set up the wireless connection between a cellular phone and the in-vehicle phone module before using the Bluetooth® Hands-Free Phone System.
- Some Bluetooth® enabled cellular phones may not be recognized by the in-vehicle phone module.
- You will not be able to use a hands-free phone under the following conditions:
  - Your vehicle is outside of the telephone service area.
  - Your vehicle is in an area where it is difficult to receive radio waves; such as in a tunnel, in an underground parking garage, behind a tall building or in a mountainous area.
  - Your cellular phone is locked in order not to be dialed.
- When the radio wave condition is not ideal or ambient sound is too loud, it may be difficult to hear the other person's voice during a call.
- Immediately after the ignition switch is pushed to the "ON" position, it may be impossible to receive a call for a short period of time.

- Do not place the cellular phone in an area surrounded by metal or far away from the in-vehicle phone module to prevent tone quality degradation and wireless connection disruption.
- While a cellular phone is connected through the Bluetooth® wireless connection, the battery power of the cellular phone may discharge quicker than usual.
- If the Bluetooth® Hands-Free Phone System seems to be malfunctioning, please contact a NISSAN dealer.
- Some cellular phones or other devices may cause interference or a buzzing noise to come from the audio system speakers. Storing the device in a different location may reduce or eliminate the noise.
- Refer to the cellular phone Owner's Manual regarding the telephone pairing procedure specific to your phone, battery charging, cellular phone antenna, etc.
- The antenna display on the monitor will not coincide with the antenna display of some cellular phones.
- Keep the interior of the vehicle as quiet as possible to hear the caller's voice clearly as well as to minimize its echoes.
- If reception between callers is unclear, adjusting the incoming or outgoing call

volume may improve the clarity.

- This wireless hands free car kit is based on Bluetooth® technology,
  - Frequency: 2402 MHz - 2480 MHz
  - Output Power: 4.14 dBm E.I.R.P
  - Modulation: FHSS GFSK 8DPSK,  $\pi/4$  DQPSK
  - Number of Channel: 79
  - This wireless equipment can't be used for any services related to safety because there is the possibility of radio interference.

## REGULATORY INFORMATION

### FCC Regulatory information

- CAUTION: To maintain compliance with FCC's RF exposure guidelines, use only the supplied antenna. Unauthorized antenna, modification, or attachments could damage the transmitter and may violate FCC regulations.
- Operation is subject to the following two conditions:
  - 1) this device may not cause interference and
  - 2) this device must accept any interference, including interference that may cause undesired operation of the device

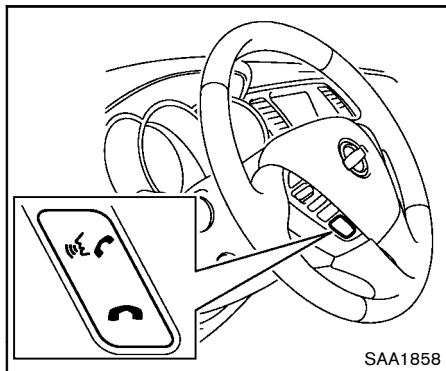
### IC Regulatory information

- Operation is subject to the following two conditions: (1) this device may not cause interference, and (2) this device must accept any interference, including interference that may cause undesired operation of the device.
- This Class B digital apparatus meets all requirements of the Canadian Interference-Causing Equipment Regulations.

Bluetooth trademark:



Bluetooth® is a trademark owned by Bluetooth SIG, Inc. and licensed to Visteon Corporation.



SAA1858

## CONTROL BUTTONS

### 1. PHONE SEND button

Push the button to initiate a VR session or answer an incoming call. You can also use the button to skip through system feedback and to enter commands during a call.

### 2. PHONE END button

Push the button to cancel a VR session or end a call.



## VOICE RECOGNITION SYSTEM

You can also use the Bluetooth® hands-free phone system with Voice Recognition System.

### INFO


- The available voice commands are only applicable to the relevant language set in the LANGUAGE setting screen. (See “How to use SETTING button” earlier in this section.)
- If the vehicle is in motion, some commands may not be available so full attention may be given to vehicle operation.
- The voice recognition system cannot be operated when the soft top (CrossCabriolet models) is open.

### Manual command selection

Commands can be selected manually. While the commands are displayed on the screen, select a command by operating the Tune switch, and then push the PHONE SEND  button. Once a command is manually selected, the voice command function is cancelled. To return to voice command mode, push the PHONE END  button to cancel the current operation, and then perform the first procedure of voice command.

### Using system

#### Initialization:

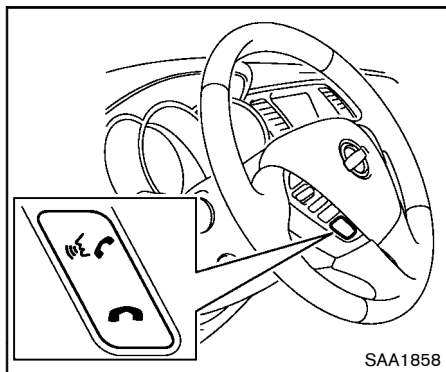
When the ignition switch is pushed to the ON position, Voice Recognition System is initialized, which may take up to one minute. When completed, the system is ready to accept voice commands. If the  switch on the steering wheel is pushed before the initialization completes, the system will not accept any command.

#### Before starting:

To get the best performance out of the Voice Recognition System, observe the following:

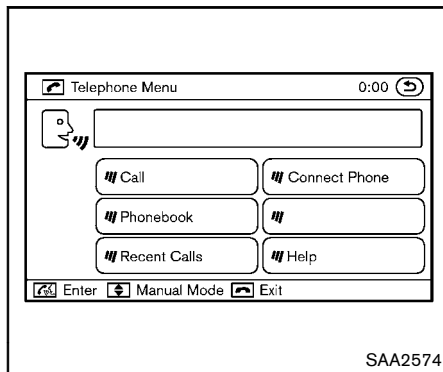
- Keep the interior of the vehicle as quiet as possible. Close the windows to eliminate the surrounding noises (traffic noises, vibration sounds, etc.), which may prevent the system from recognizing the voice commands correctly.
- Wait until a tone sounds before speaking a command.
- Speak a voice command within 5 seconds after the beep sound. If no voice command is given, the system will ask you for a number. If no further command is given, the session ends.
- Speak in a natural voice without pausing between words.





#### Giving voice command:

1. Push and release the switch located on the steering wheel.



2. A list of commands appears on the screen, and the system announces, "Please say a command after the beep. Available commands are: Call, Phonebook, Recent Calls, Connect Phone or Help".
3. After the tone sounds and the icon on the screen changes from to , speak a command. See the "Using system" later in this section for the voice command list. Speak "Call" for example.

#### INFO

Voice commands cannot be recognized as long as the screen icon is not in the command recognition mode .

4. The system acknowledges the command and announces the next set of available commands.
5. After the tone sounds, speak the phone number.
6. When you have finished speaking the phone number, the system repeats it back and announces the available commands.
7. After system responds, speak "Dial" and the system dials the spoken numbers.

#### Operating tips:

- Voice commands cannot be accepted when the icon is .
- If the command is not recognized, the system announces, "Please say again". Repeat the command in a clear voice.
- Push the switch or the **BACK** button once to return to the previous screen.
- If you want to cancel the command, push the switch. The message "Voice input is canceled" will be announced. If you want to adjust the volume of the system feedback, push the volume control buttons [+] or [-] on the steering wheel or use the audio system volume knob while the system is making an announcement.

### How to speak commands:

The Voice Recognition System requires a certain way to speak voice commands. Speak normally and clearly in the direction of the microphone (located in front of the rearview mirror). Every digit of the number must be spoken individually and in a normal manner. The hands-free mode will work best when the telephone number is spoken in blocks of three to five digits. After each spoken block is terminated, the system will repeat the three to five digits and wait for you to speak the next digit or block of digits required for the telephone number.

See "Using system" later in this section for the appropriate commands that can be spoken for the hands-free mode system.

Example:

In order to initiate a call, speak "Phonebook".

#### INFO

- If you are controlling the telephone system by voice command for the first time or do not know the appropriate voice command, speak "Help". The system announces the available commands.
- When you speak numbers, you can speak both "zero" or "oh" for "0".

### Personal vocabulary (voicetags):

Voice Recognition System is equipped with the function called "voicetags", which can be associated with the phone number and name in the phonebook. Using the voice tag will automatically generate a speed dial to the registered number.

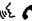
See "Phonebook registration" earlier in this section.

You can call the identified number using the following command: "Dial" followed by the voice tag.

### Dialling a name with a voice tag:

It is possible to call up a name via a voice tag instead of a number, provided the name and number of your correspondent has been previously stored in the phonebook.

Dial via a voice tag, according to the following procedure.


1. Push the  switch.
2. The system replies "please say a command after the beep. Available commands are: Call, Phonebook, Recent Calls, Connect Phone or Help".
3. Give your instructions to the system by saying: "Dial John" for example ("John" must have been previously set as a voice tag for John's phone number) or "Dial One" if John

is classified as one in the phonebook.

If the system cannot understand your command, repeat it according to the recommendations mentioned in "Using system" earlier in this section.

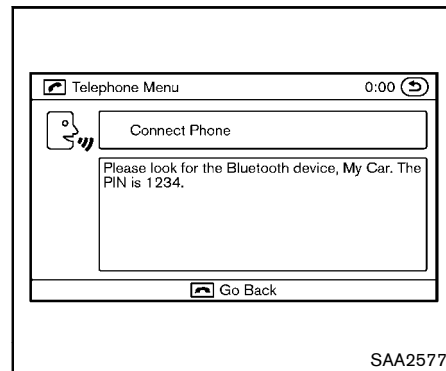
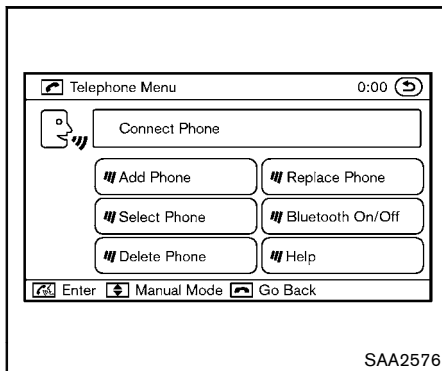
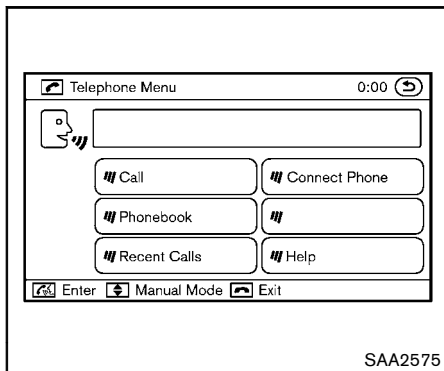
4. If the given name (voice tag) is correct, the phone system will dial the number registered for "John".

#### INFO

To end the voice command phase at any stage of the procedure, push the  switch once in order to activate the cancel command.

**List of voice commands:**

| COMMAND                                      | ACTION   |
|--|--|
| "Call/Dial" "<name>"                         | Dials the specified <name>.                          |
| "Call/Dial" "Redial"                         | Dials the last number.                               |
| "Call" "Number" "<number>"                   | Dials the specified <number>.                        |
| "Phonebook" "<name>"                         | Displays the specified <name> in the phonebook.      |
| "Phonebook" "List Names"                     | Displays all the names in the phonebook.             |
| "Phonebook" "Transfer Entry"                 | Transfers the phonebook data to the system.          |
| "Phonebook" "Delete Entry"                   | Deletes the phonebook registered in the system.      |
| "Connect Phone" "Add Phone"                  | Connects a cellular phone to the system.             |
| "Connect Phone" "Select Phone"               | Selects a registered cellular phone.                 |
| "Connect Phone" "Delete Phone"               | Deletes a registered cellular phone.                 |
| "Connect Phone" "Bluetooth Off"              | Turns the Bluetooth® connection off.                 |
| "Connect Phone" "Replace Phone"              | Changes the registered order of the cellular phones. |
| "Connect Phone" "Delete Phone" "All Phones"  | Deletes all registered cellular phones.              |
| "Connect Phone" "Delete Phone" "List Phones" | Selects a registered cellular phone and deletes it.  |



## PAIRING PROCEDURE

Up to 5 cellular phones can be registered.

1. Push the button on the steering wheel. The system announces the available commands.
2. Speak: "Connect Phone". The system acknowledges the command and announces the next set of available commands.

3. Speak: "Add Phone". The system acknowledges the command and asks you to initiate connecting from the phone handset.

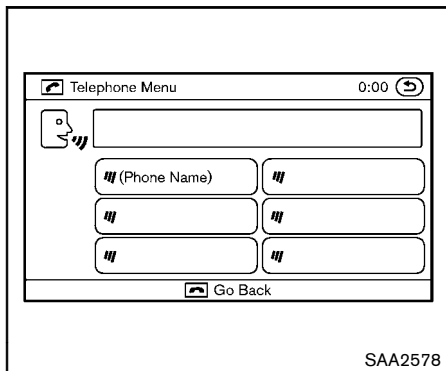
### INFO:

The Add Phone command is not available when the vehicle is moving.

4. When asked to enter a PIN code to connect a Bluetooth<sup>®</sup> cellular phone, enter the code "1234".

The code is always "1234" regardless of the number of phones paired.

The connecting procedure of a cellular phone varies according to each cellular phone. See the cellular phone Owner's Manual for more information.



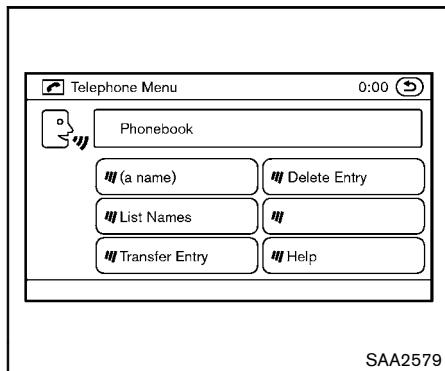
SAA2578

5. The system asks the user to speak a name for the phone.

Speak: "Yes". The system acknowledges the command and registers the cellular phone.

If the name is too long or too short, the system tells the user, then prompts the user for a name again.

Also, if more than one phone is connected and the name sounds too much like a name already used, the system tells the user, then prompts the user for name again.



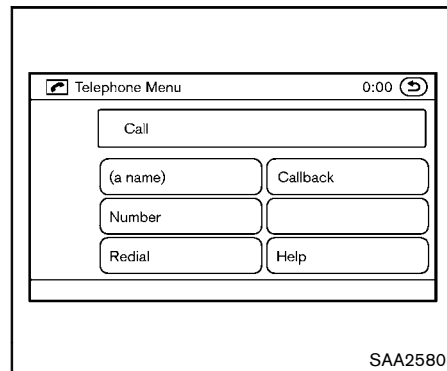
SAA2579

## PHONEBOOK REGISTRATION

When the cellular phone is connected to the in-vehicle module, the data stored in the cellular phone such as phonebook, outgoing call logs, incoming call logs and missed call logs is automatically transferred and registered to the system.

The availability of this function depends on each cellular phone. The copying procedure also varies according to each cellular phone. See cellular phone Owner's Manual for more information.


Up to 1,000 phone numbers per registered cellular phone can be stored in the phonebook.

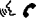


SAA2580

## MAKING A CALL

To make a call, follow the procedures below.

1. Push the  button on the steering wheel. A tone will sound.
2. Speak: "Call". The system acknowledges the command and announces the next set of available commands.
3. Speak the registered person's name. The system acknowledges the command and announces the next set of available commands.
4. Speak: "Yes". The system acknowledges the command and makes the call.

5. Once the call has ended, press the  button on the steering wheel.

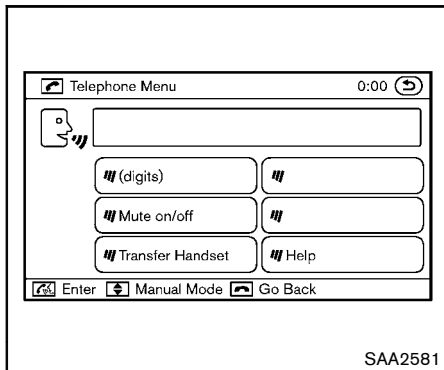
## RECEIVING A CALL

When the ring tone is heard, press the button on the steering wheel.


Once the call has ended, press the button on the steering wheel.

### NOTE:

**To reject a call when the ring tone is heard, press the button on the steering wheel.**



## DURING A CALL

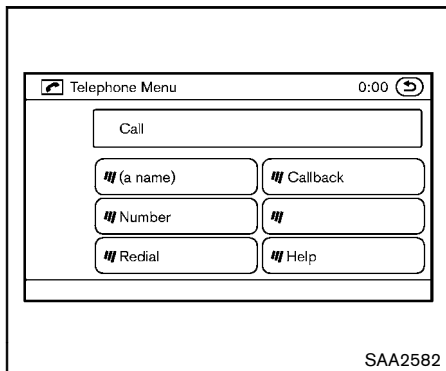
During a call there are several command options available. Press the  button on the steering wheel to mute the receiving voice and enter commands.

- “(digits)” — Use the Send command to enter numbers during a call. For example, if directed to dial an extension by an automated system:  
Speak: “Sending one two three four.”  
The system acknowledges the command and sends the tones associated with the numbers. The system then ends the VR session and returns to the call.

- “Mute on/off” — Use the Mute command to mute the user’s voice so the other party cannot hear it.  
Use the mute command again to unmute the user’s voice.
- “Transfer Handset” — Use the Transfer Handset command to transfer the call from the Bluetooth® Hands-Free Phone System to a cellular phone when privacy is desired. The system announces, “Transfer Handset. The call is transferred to the handset only.” The system then ends the VR session.  
The Transfer Call command can also be issued again to return to a hands-free call through the vehicle.
- “Help” — The system announces the available commands.

### NOTE:

**If the other party ends the call or the cellular phone network connection is lost while the Mute feature is on, the Mute feature may need to be reset to “off.”**



## PHONE SETTINGS

### Call

- **(a name)**

If there are entries stored in the Phone Book, a number associated with a name and location can be dialed. See “Phone book registration” in this section to learn how to store entries. When prompted by the system, say the name of the phone book entry to call.

The system acknowledges the name. If there are multiple locations associated with the name, the system asks the user to choose the location.

Once the name and location are confirmed, the system begins the call.

- **Number**

When prompted by the system, speak the number to call.

- **Redial**

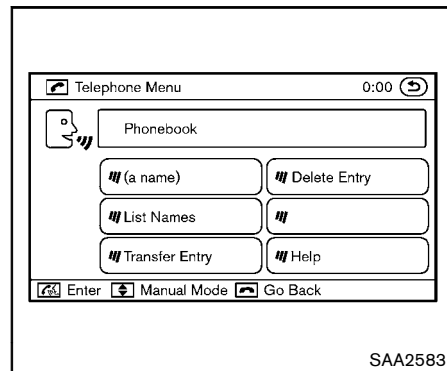
Use the Redial command to call the last number of outgoing calls. The system acknowledges the command, repeats the number and begins dialing. If a redial number does not exist, the system announces, “There is no number to redial” and ends the VR session.

- **Callback**

Use the Callback command to call the last number in incoming calls. The system acknowledges the command, repeats the number and begins dialing. If an incoming call number does not exist, the system announces, “There is no number to call back” and ends the VR session.

- **Help**

The system announces the available commands.



### Phonebook

- **(a name)**

Use the name command to seek the name and locations registered in the phonebook in alphabetical order. When the system acknowledges the alphabet the user spoke, the system announces all registered names and locations beginning with that alphabet. Playback of the list can be stopped at any time by pressing a button on the steering wheel. The system ends the VR session.

- **List Names**

Use the List Names command to hear the names and locations registered in the

phonebook. When the system acknowledges the command, the system announces all voicetags registered in the system.

Playback of the list can be stopped at any time by pressing a button on the steering wheel. The system ends the VR session.

- **Transfer Entry**

Use the Transfer Entry command to transfer the phonebook data stored in a cellular phone to the system.

The system acknowledges the command and asks the user to initiate a transfer from the phone handset. The new contact phone number will be transferred from the cellular phone via a Bluetooth® communication link. The transfer procedure varies according to each cellular phone. See the cellular phone Owner's Manual for more information. The system repeats the number and prompts the user for the next command. After entering numbers, choose "Store."

The system confirms the name, location and number. The system then asks if the user would like to store another location for the same name. If the user does not wish to store another location, the system ends the VR session.

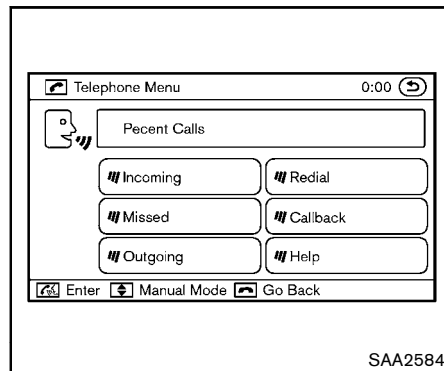
- **Delete Entry**

Use the Delete Entry command to delete a

specific number or all numbers in the phonebook. The system announces the names of the phone numbers already stored in the system. The system then gives the option to delete a specific number or all numbers. Once the user chooses to delete a number or all numbers, the system asks the user to confirm.

- **Help**

The system announces the available commands.



## Recent Calls

- **Incoming**

Use the Incoming command to make a call viewing the list of incoming calls.

- **Missed**

Use the Missed command to make a call viewing the list of missed calls.

- **Outgoing**

Use the Outgoing command to make a call viewing the list of outgoing calls.

- **Redial**

Use the Redial command to dial the last outgoing call.

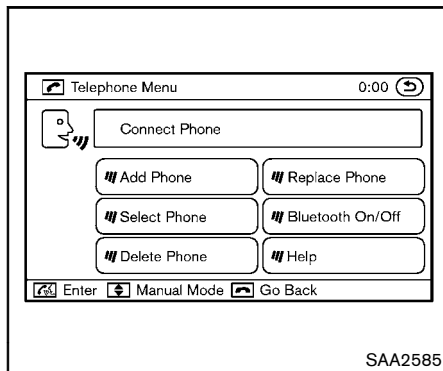


- **Callback**

Use the Callback command to dial the last incoming call.

- **Help**

The system announces the available commands.



### Connect Phone

- **Add Phone**

Use the Pair Phone command to connect a compatible phone to the Bluetooth® Hands-Free Phone System.

When asked to enter a PIN code to connect a Bluetooth® cellular phone, enter the code "1234".

The code is always "1234" regardless of the number of phones connected. Up to 5 phones can be connected. If the user tries to connect a sixth phone, the system announces that the user must first delete one phone or replace an existing phone. If the user tries to connect a phone that has

already been connected to the vehicle system, the system announces the name that the phone is already using. The connecting procedure will then be cancelled.

The Add Phone command is not available when the vehicle is moving.

- **Select Phone**

Use the Select Phone command to select a phone of lesser priority when two or more phones connected with Bluetooth® Hands-Free Phone System are in the vehicle at the same time.

The system asks the user to name the phone and confirm the selection.

Once the selection is confirmed, the selected phone remains active until the ignition switch is placed in the OFF position or a new phone is selected.

- **Delete Phone**

Use the Delete Phone command to delete a specific phone or all phones from Bluetooth® Hands-Free Phone System. The system announces the names of the phones already paired with the system and their priority level. The system then gives the option to delete a specific phone, all phones or listen to the list again. Once the user chooses to delete a phone or all phones, the

system asks the user to confirm.

**NOTE:**

**When the user deletes a phone, the associated phone book for that phone will also be deleted.**

● **Replace Phone**

Use the Replace Phone command to change the priority level of the active phone.

The priority level determines which phone is active when more than one paired Bluetooth® phone is in the vehicle.

The system states the priority level of the active phone and asks for a new priority level (1, 2, 3, 4, 5).

If the new priority level is already being used for another phone, the two phones will swap priority levels.

For example, if the current priority levels are:

- Priority Level 1 = Phone A
- Priority Level 2 = Phone B
- Priority Level 3 = Phone C

and you change the priority level of Phone C to Level 1, then:

- Priority Level 1 = Phone C
- Priority Level 2 = Phone B
- Priority Level 3 = Phone A

● **Bluetooth On/Off**

Use the Bluetooth On/Off command to turn on/off Bluetooth® Hands-Free Phone System.


● **Help**


The system announces the available commands.

### VOICE ADAPTATION MODE


The Voice Adaptation mode allows up to two users with different dialects to train the system to improve recognition accuracy. By repeating a number of commands, the users can create a voice model of their own voice that is stored in the system. The system is capable of storing a different voice adaptation model for each connected phone.

#### Training procedure

1. Position the vehicle in a reasonably quiet outdoor location.
2. Sit in the driver's seat with the engine running, the parking brake on, and the transmission in Park.
3. Press the  button.
4. Speak: "Help". The system acknowledges the command and announces the next set of available commands.

5. Speak: "Voice Adaptation". The system acknowledges the command and displays the voice adaptation mode screen.
6. Voice memory A or memory B is selected automatically. If both memory locations are already in use, the system will prompt you to overwrite one. Follow the instructions provided by the system.
7. When preparation is complete and you are ready to begin, press the  button.
8. The voice adaptation mode will be explained. Follow the instructions provided by the system.
9. When training is finished, the system will tell you an adequate number of phrases have been recorded.
10. The system will ask you to say your name. Follow the instructions to register your name.
11. The system will announce that voice adaptation has been completed and the system is ready.

The voice adaptation mode will stop if:


- The  button is pressed in voice adaptation mode.
- The vehicle is driven during voice adaptation mode.

## **NISSAN VOICE RECOGNITION SYSTEM (models with navigation system)**

- The ignition switch is placed in the OFF or LOCK position.

NISSAN Voice Recognition allows hands-free operation of the Phone, Navigation, Information and Audio systems in one of two modes, Standard Mode or Alternate Command Mode.

In Standard Mode, commands that are available are always shown on the display and announced by the system. You can complete your desired operation by simply following the prompts given by the system. (See "NISSAN voice recognition Standard Mode" later in this section for details.)

For advanced operation, you can use the Alternate Command Mode. (See "NISSAN voice recognition Alternate Command Mode" later in this section for details.) When this mode is active, an expanded list of commands can be spoken after pushing the TALK  switch, and the voice command menu prompts are turned off. Review the expanded command list, which is available when this mode is active. Note that in this mode the recognition success rate may be affected as the number of available commands and the ways of speaking each command are increased.

To switch one mode to another, see each mode description later in this section.

To improve the recognition success rate when Alternate Command Mode is active, try using the Speaker Adaptation Function available in that mode. Otherwise, it is recommended that

Alternate Command Mode be turned off and Standard Mode be used for the best recognition performance.

For the voice commands for the navigation system, refer to the Navigation System Owner's Manual of your vehicle.

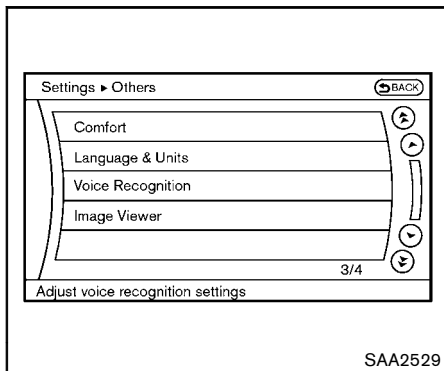
For CrossCabriolet models:

The voice recognition system cannot be operated when the soft top is open.

### **NISSAN VOICE RECOGNITION STANDARD MODE**

The following section is applicable when the Standard Mode is activated.

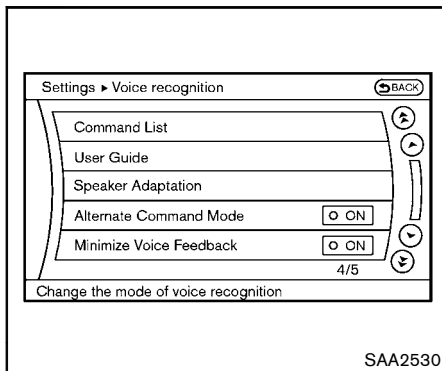
The Standard Mode enables you to complete the desired operation by simply following the prompts that appear on the display and also are announced by the system.



### Activating Standard Mode

When the Alternate Command Mode is active, perform the following steps to switch to the Standard Mode.

1. Push the SETTING button on the instrument panel.
2. Select the "Others" key.
3. Select the "Voice Recognition" key.

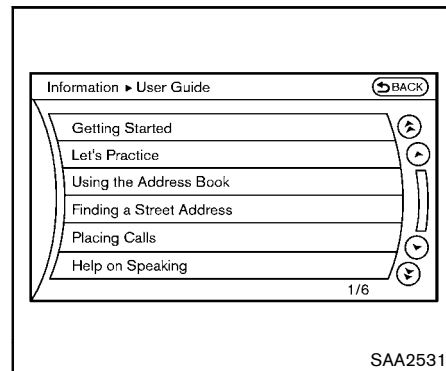


4. Select the "Alternate Command Mode" key.
5. The indicator turns off and the Standard Mode activates.

### Displaying user guide

If you use the NISSAN Voice Recognition system for the first time or you do not know how to operate it, you can display the User Guide for confirmation.

You can confirm how to use voice commands by accessing a simplified User Guide, which contains basic instructions and tutorials for several voice commands.



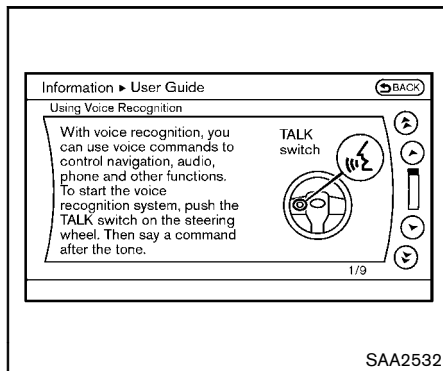
1. Push the INFO button on the instrument panel.
  2. Select the "Others" key.
  3. Select the "Voice Recognition" key.
  4. Select the "User Guide" key.
  5. Select a preferred item.
- You can skip steps 1 and 3 above if you say "Help".

### Available items:

- Getting Started  
Describes the basics of how to operate the NISSAN Voice Recognition system.

- **Let's Practice**  
Mode that allows practicing by following the instructions of the system voice.
- **Using the Address Book**  
Tutorial for entering a destination by using the Address Book.
- **Finding a Street Address (if so equipped)**  
Tutorial for entering a destination by street address.
- **Placing Calls**  
Tutorial for making a phone call by voice command operation.
- **Help on Speaking**  
Displays useful tips of speaking for correct command recognition by the system.

Note that the Command List feature is only available when Alternate Command Mode is active.



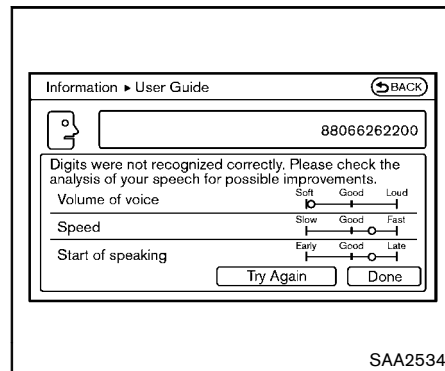
### Getting Started

Before using the NISSAN Voice Recognition system for the first time, you can confirm how to use commands by viewing the Getting Started section of the User Guide.

1. Select the "Getting Started" key.
2. You can confirm the page by scrolling the screen using the multi-function controller.

### Tutorials on the operation of the NISSAN Voice Recognition system

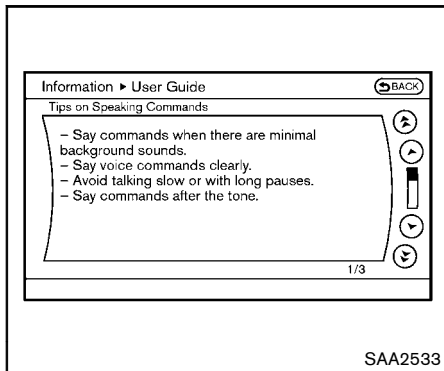
If you choose "Using the Address Book", "Finding a Street Address" or "Placing Calls", you can view tutorials on how to perform these operations using NISSAN Voice Recognition.



### Let's Practice

This mode helps learn how to use the NISSAN Voice Recognition system.

1. Select the "Let's Practice" key.
2. After the message screen appears, push the TALK switch on the steering wheel.
3. Speak the displayed number after the tone. The evaluation screen will be displayed and the result can be confirmed.



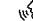
### Useful tips for correct operation

You can display useful speaking tips to help the system recognize your voice commands correctly.

Select "Help on Speaking" to start display.

## USING THE SYSTEM

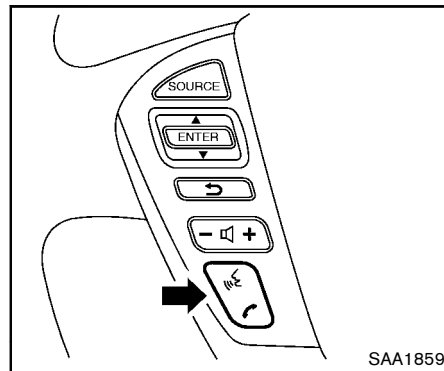
### Initialization

When the ignition switch is pushed to the ON position, NISSAN Voice Recognition is initialized, which may take up to one minute. When completed, the system is ready to accept voice commands. If the TALK  switch is pushed before the initialization completes, the display will show the message: "System not ready." or a beep sounds.


### Before starting

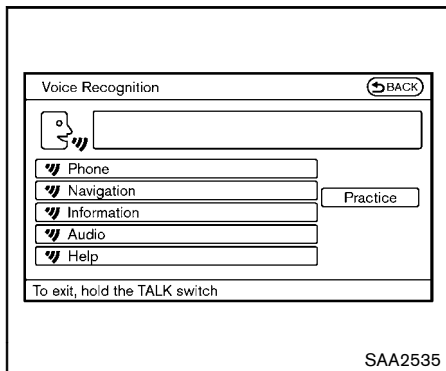
To get the best recognition performance from NISSAN Voice Recognition, observe the following:

- The interior of the vehicle should be as quiet as possible. Close the windows to eliminate the surrounding noises (traffic noise and vibration sounds, etc.), which may prevent the system from correctly recognizing the voice commands.
- Wait until the tone sounds before speaking a command.
- Speak in a natural conversational voice without pausing between words.
- If the air conditioner is set to "Auto", the fan speed is automatically lowered so that your commands can be recognized more easily.





### Giving voice commands

1. Push the TALK  switch located on the steering wheel.



2. A list of commands appears on the screen, and the system announces, “Would you like to access Phone, Navigation, Information, Audio or Help?”.

3. After the tone sounds and the icon on the screen changes from  to , speak a command.


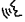
Selecting the “Practice” key will start the practice mode. See “Let’s Practice” earlier in this section.

4. Continue to follow the voice menu prompts and speak after the tone sounds until your desired operation is completed.

Selecting the “**Help**” key can display the

detailed information of the each command.

### Operating tips:

- Say a command after the tone.
- Commands that are available are always shown on the display and spoken through voice menu prompts. Commands other than those that are displayed are not accepted. Please follow the prompts given by the system.
- If the command is not recognized, the system announces, “Please say again”. Repeat the command in a clear voice.
- Push the BACK button once to return to the previous screen.
- To exit the voice recognition system, push and hold the TALK  switch. The message, “Voice canceled” will be announced.
- To skip the voice guidance function and give the command immediately, press the TALK  switch to interrupt the system. Remember to speak after the tone.
- If you want to adjust the volume of the system feedback, push the volume control buttons [+ ] or [- ] on the steering switch or use the audio system volume knob while the system is making an announcement.

### How to speak numbers:

NISSAN Voice Recognition requires a certain way to speak numbers when giving voice commands. Refer to the following examples.

#### General rule

Only single digits 0 (zero) to 9 can be used. (For example, if you would like to say 500, “five zero zero” can be used, but “five hundred” cannot.)

#### Examples

- 1-800-662-6200
  - “One eight zero zero six six two six two zero zero”

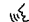
#### Improving Recognition of Phone numbers

You can improve the recognition of phone numbers by saying the phone number in three groups of numbers. For example, when you try to call 800-662-6200, say “eight zero zero” first, and the system will then ask you for the next three digits. Then, say “six six two”. After recognition, the system will then ask for the last four digits. Say, “six two zero zero”. Using this method of phone digit entry can improve recognition performance.

When speaking a house number, speak the number “0” as “zero”. If the letter “o (oh)” is included in the house number, it will not be recognized as the number “0 (zero)” even if you speak “oh” instead of “zero”. **Please speak**

**“zero” for the number “0 (zero)”, “oh” for the letter “o (oh)”.**

**Send digits using dial tone:**

- Press the TALK  switch during a phone call.
- The menu will be launched and you will be provided with the following guidance: "Please say the digits to dial".
- After guidance, say the digits of the number you want to send. After this, the digits that have been recognized will be read out.
- If you press the ENTER button on the steering wheel or on the multifunction controller, the selected digits will be sent.



## Command List

### Category Command:

| Command     | Action                                    |
|-------------|---|
| Phone       | Operates the Phone function               |
| Navigation  | Operates the Navigation function          |
| Information | Displays the vehicle Information function |
| Audio       | Operates the Audio function.              |
| Help        | Displays User Guide                       |

### ● Phone Command:

| Command            | Action  |   |
|--------------------|---|---|
| Dial Number        | Makes a call to a spoken phone number up to 10 digits.                      |   |
| Quick Dial         | Makes a call to a contact that is stored in the Quick Dial.                 |   |
| Phonebook          | Makes a call to a contact that is stored in the mobile phone.               |   |
| Call history       | Incoming Calls  | Makes a call to the incoming call number. |
|                    | Outgoing Calls  | Makes a call to the dialed number.        |
|                    | Missed Calls  | Makes a call to the Missed calls number.  |
| International Call | Makes an international call by allowing more than 10 digits to be spoken.   |   |
| Change Number      | Corrects the recognized phone number (available during phone number entry). |   |

### ● Navigation Command:

| Command               | Action   |
|-----------------------|--|
| Destination Home      | Sets a route to your home that is stored in the Address Book.                              |
| Address               | Searches for a location by the street address specified, and sets a route to the location. |
| Places                | Sets a route to a facility near the current vehicle location.                              |
| Address Book          | Searches for stored information in the Address Book.                                       |
| Previous Destinations | Sets a route to a previous destination.  |

- Information Command:

| Command             | Action   |
|---------------------|--|
| Fuel Economy        | Displays fuel economy information.               |
| Maintenance         | Displays maintenance information.                |
| Traffic Information | Turns the traffic information system ON and OFF. |
| Where am I?         | Displays your current location.                  |

- Audio Command:

| Command | Action   |
|---------|--|
| AM      | Turns to the AM band, selecting the station last played.                       |
| FM      | Turns to the FM band, selecting the station last played.                       |
| XM      | Turns to the SiriusXM Satellite Radio band, selecting the channel last played. |
| CD      | Starts to play a CD.   |

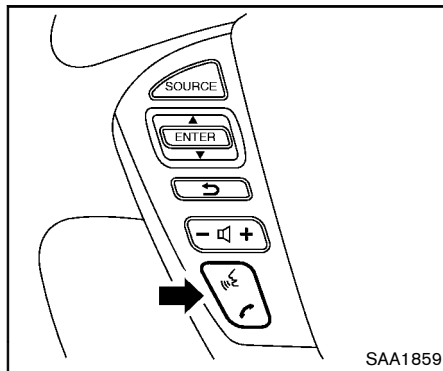
- General Commands

| Command | Action   |
|---------|--|
| Go back | Corrects the last recognition result to return to the previous screen. |
| Exit    | Cancels Voice Recognition.   |


## Voice command examples

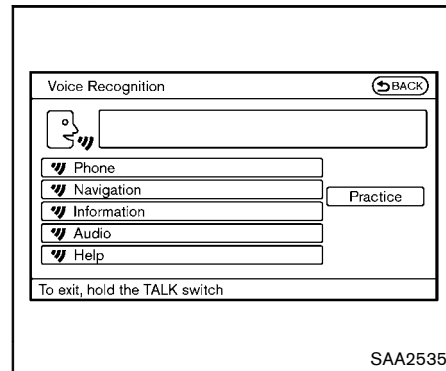
To use the NISSAN Voice Recognition function, speaking one command is sometimes sufficient, but at other times it is necessary to speak two or more commands. As examples, some additional basic operations by voice commands are described here.

For navigation system commands, see the separate Navigation System Owner's Manual.

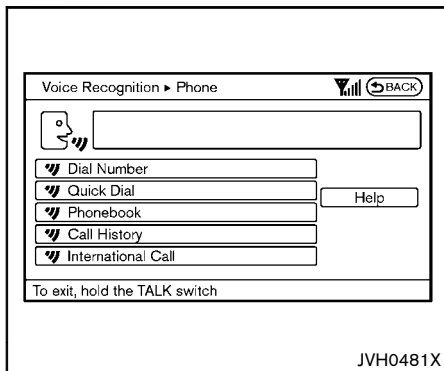


### Example 1 - Placing a call to the phone number 800-662-6200:

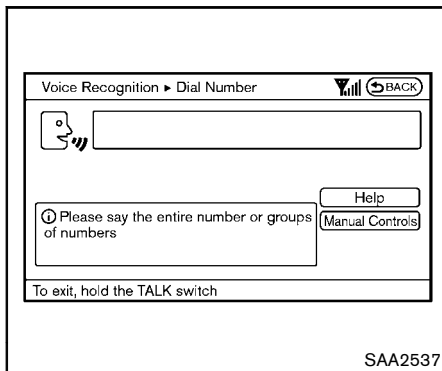
1. Push the TALK  switch located on the steering wheel.



2. The system announces, "Would you like to access Phone, Navigation, Information, Audio or Help?"
3. Speak "Phone".

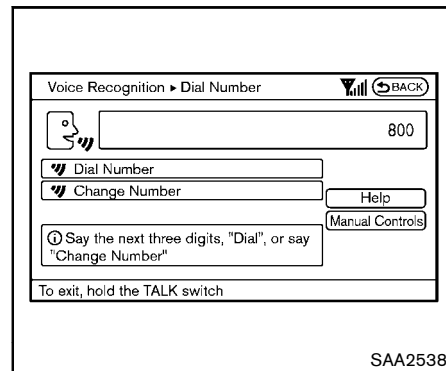


4. Speak "Dial Number".



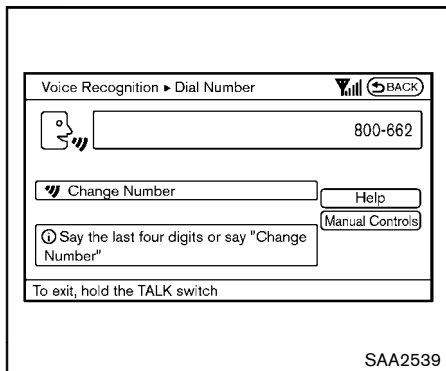
5. Speak "8 0 0".

Selecting the "Manual Controls" key switches the screen to the keypad to input the phone number manually.

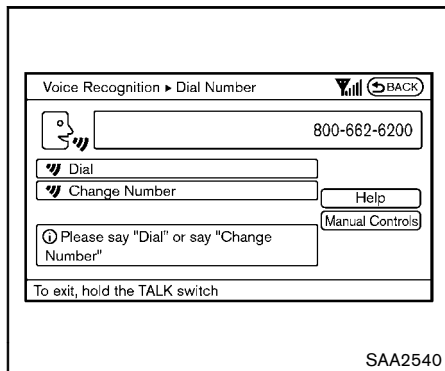


6. The system announces, "Please say the next three digits or dial, or say change number."

7. Speak "6 6 2".



8. The system announces, "Please say the last four digits" or say change number.
9. Speak "6 2 0 0".



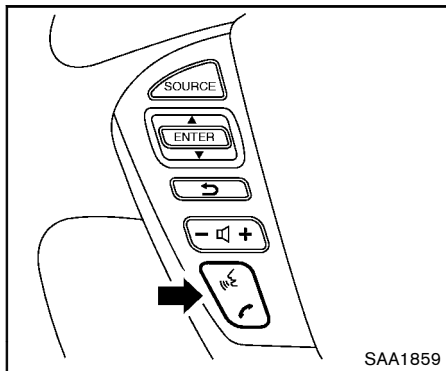
10. The system announces, "Dial or Change Number?"
11. Speak "Dial".
12. The system makes a call to 800-662-6200.

**NOTE:**

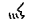
- You can also speak "800-662-6200" (10 continuous digits) or "662-6200" (7 continuous digits), if the area code is not necessary. However, the 3-3-4 digit grouping is recommended for improved recognition. (See "Giving voice commands" earlier in this section.)
- You can only say a phone number using the 3-3-4 grouping, 7 digits, and 10 digits using this command. Please use

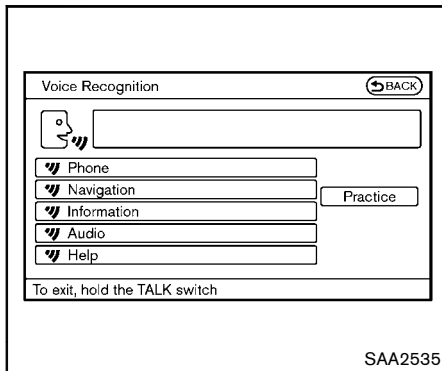
the "International Call" command for all other formats.

- If you say "Change Number" during phone number entry, the system will automatically request that you repeat the number using the 3-3-4 format. In this case please say the area code first and then follow the prompts.
- Do not add a "1" in front of the area code when speaking phone numbers.
- If the system does not recognize your command, please try repeating the command using a natural voice. Speaking too slow or too loudly may further decrease recognition performance.

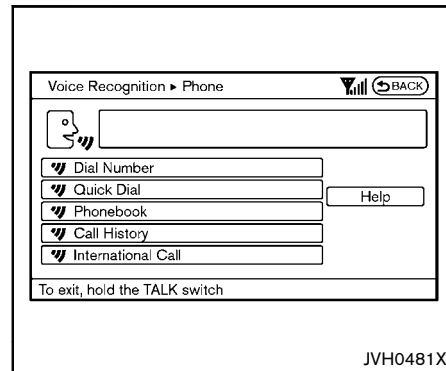


**Example 2 - Placing an international call to the phone number 011-81-111-222-3333:**

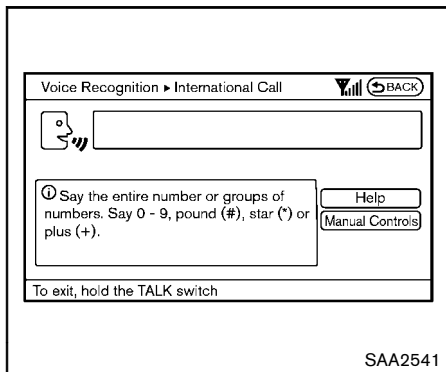
1. Push the TALK  switch located on the steering wheel.



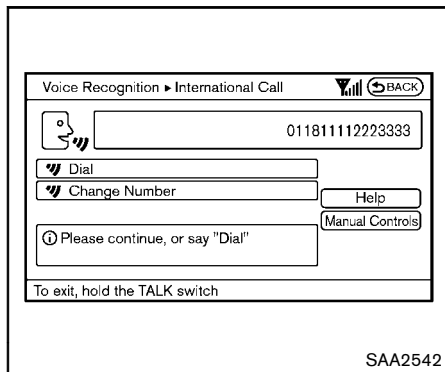
2. The system announces, "Would you like to access Phone, Navigation, Information or Help?"
3. Speak "Phone".



4. Speak "International Call".



5. Speak "011811112223333".



6. Speak "Dial".

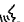
7. System makes a call to 011-81-111-222-3333.

**NOTE:**

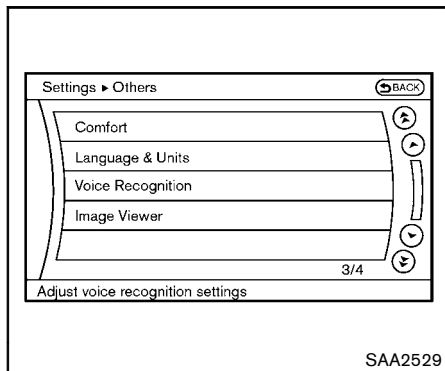
**Any digit input format is available in the International Number input process.**

## NISSAN VOICE RECOGNITION ALTERNATE COMMAND MODE

The following section is applicable when Alternate Command Mode is activated.

When Alternate Command Mode is activated, an expanded list of commands can be used after pressing the TALK  switch. In this mode, available commands are not fully shown on the display or prompted. Review the expanded command list when this mode is active. See examples of Alternate Command Mode screens.

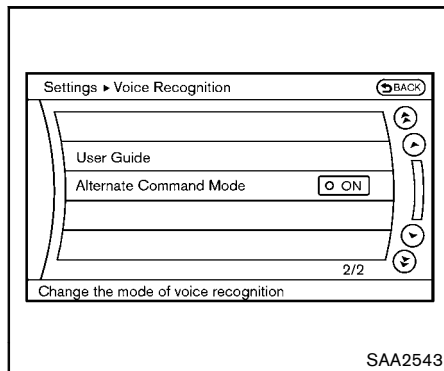
Please note that in this mode the recognition success rate may be affected as the number of available commands and ways of speaking each command are increased. To improve the recognition success rate, try using the Speaker Adaptation Function available in that mode. (See "Speaker adaptation function (for Alternate Command Mode)" later in this section.) Otherwise it is recommended that Alternate Command Mode be turned OFF and Standard Mode be used for the best recognition performance.



### Activating Alternate Command Mode

When the Standard Mode is active, perform the following steps to switch to the Alternate Command Mode.

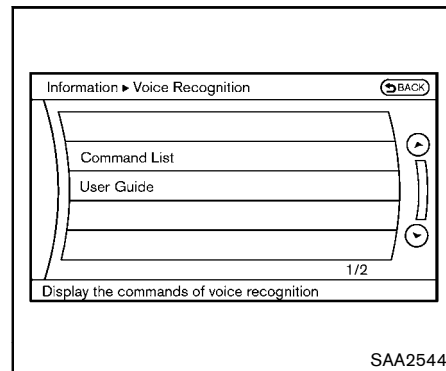
1. Push the SETTING button on the instrument panel.
2. Highlight the "Others" key.
3. Highlight the "Voice Recognition" key.



4. Highlight the "Alternate Command Mode" key.
5. The confirmation message is displayed on the screen. Push the "OK" key to activate the Alternate Command Mode.

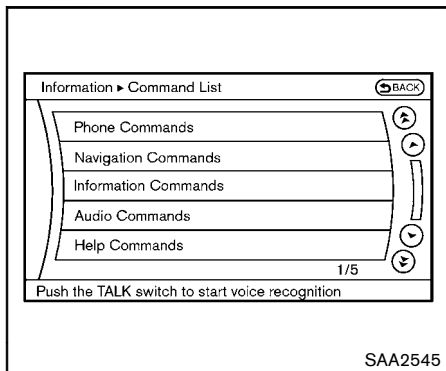
### Displaying command list

If you are controlling the system by voice commands for the first time or do not know the appropriate voice command, perform the following procedure for displaying the voice command list (available only in Alternate Command Mode).

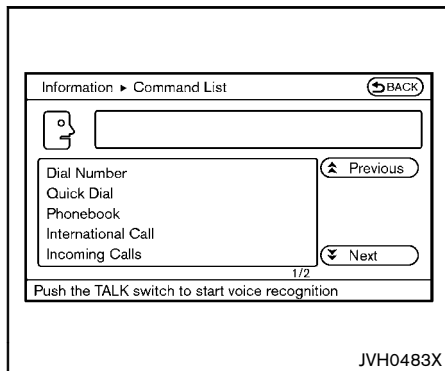


1. Push the INFO button on the instrument panel.
2. Select the "Others" key.
3. Select the "Voice Recognition" key.
4. Select the "Command List" key.





5. Select a category from the list.



6. Select an item.

7. If necessary, scroll the screen using the multi-function controller to view the entire list.

8. Press the BACK button to return to the previous screen.

## Command List

The words in *italics* are variable.

### Phone Commands:

| Command              | Action   |   |
|----------------------|--|---|
| Dial Number          | Makes a call to a spoken phone number.   |   |
| Quick Dial           | Makes a call to a contact that is stored in the Quick Dial.  |   |
| Phonebook            | Makes a call to a contact that is stored in the mobile phone.  |   |
| Call History         | Incoming Calls   | Makes a call to the incoming call number. |
|                      | Outgoing Calls   | Makes a call to the dialed number.        |
|                      | Missed Calls   | Makes a call to the Missed calls number.  |
| International Call   | Makes an international call by allowing more than 10 digits to be spoken.  |   |
| Call < <i>name</i> > | Makes a call to a contact that is stored in either Quick Dial or Phonebook. Please say "Call" followed by a stored name. |   |
| Change Number        | Corrects the recognized phone number (available during phone number entry).  |   |

**Navigation Commands:**

| Command               | Action   |
|-----------------------|--|
| Destination Home      | Sets a route to your home that is stored in the Address Book.                              |
| Address               | Searches for a location by the street address specified, and sets a route to the location. |
| Places                | Sets a route to a facility near the current vehicle location.                              |
| Address Book          | Searches for stored information in the Address Book.                                       |
| Previous Destinations | Sets a route to a previous destination.  |
| Previous Start Point  | Sets a route to a previous starting point.   |
| Delete Destination    | Deletes a destination.   |

**Information Commands:**

| Command             | Action   |
|---------------------|--|
| Fuel Economy        | Displays fuel economy information.               |
| Maintenance         | Displays maintenance information.                |
| Where am I?         | Displays your current location.                  |
| Traffic Information | Turns the traffic information system ON and OFF. |
| Weather Information | Displays weather information.                    |
| Weather Map         | Displays a weather map.                          |

**Audio Commands:**

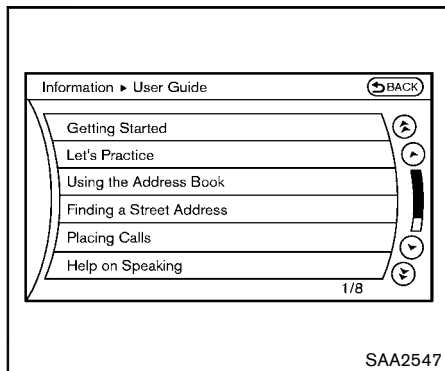
| Command         | Action   |
|-----------------|--|
| CD              | Starts to play a CD.   |
| FM              | Turns to the FM band, selecting the station last played.                       |
| AM              | Turns to the AM band, selecting the station last played.                       |
| XM              | Turns to the SiriusXM Satellite Radio band, selecting the channel last played. |
| USB             | Turns on the USB memory.   |
| Bluetooth Audio | Turns on the Bluetooth <sup>®</sup> audio player.                              |

**Help Commands:**

| Command            |                      | Action   |
|--------------------|----------------------|--|
| Command List       | Navigation Commands  | Displays the navigation command list.                      |
|                    | Phone Commands       | Displays the phone command list.                           |
|                    | Audio Commands       | Displays the audio command list.                           |
|                    | Information Commands | Displays the information command list.                     |
|                    | Help Commands        | Displays the help command list.                            |
| User Guide         |                      | Displays the User Guide.                                   |
| Speaker Adaptation |                      | The system can memorize the voices of up to three persons. |

**General Commands:**

| Command | Action  |
|---------|---|
| Go back | Corrects the last recognition result to return to the previous screen |
| Exit    | Cancel Voice Recognition  |



## Displaying user guide

You can confirm how to use voice commands by accessing a simplified User Guide, which contains basic instructions and tutorials for several voice commands.

1. Push the INFO button on the instrument panel.
2. Select the "Others" key using the multi-function controller and push the ENTER button.
3. Highlight the "Voice Recognition" key using the multi-function controller and push the ENTER button.

4. Highlight the "User Guide" key using the multi-function controller and push the ENTER button.
5. Highlight an item using the multi-function controller and push the ENTER button.

### Available items:


- Getting Started  
Describe the basics of how to operate the NISSAN Voice Recognition system.
- Let's Practice  
Mode that allows practicing by following the instructions of the system voice.
- Using the Address Book  
Refer to Navigation System Owner's Manual.
- Finding a Street Address (if so equipped)  
Refer to Navigation System Owner's Manual.
- Placing Calls  
Tutorial for making a phone call by voice command operation.
- Help on Speaking  
Displays useful tips for how to correctly speak commands in order for them to be properly recognized by the system.
- Voice Recognition Settings  
Describes the available voice recognition

settings.

- Adapting the System to Your Voice  
Tutorial adapting the system to your voice.

## USING THE SYSTEM

### Initialization

When the ignition switch is pushed to the ON position, NISSAN Voice Recognition is initialized, which may take up to one minute. When completed, the system is ready to accept voice commands. If the TALK  switch is pushed before the initialization completes the display will show the message: "System not ready." or a beep sounds.

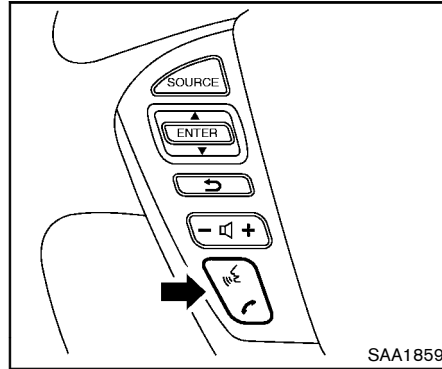
### Before starting

To get the best performance from NISSAN Voice Recognition, observe the following.


- Keep the interior of the vehicle as quiet as possible. Close the windows to eliminate the surrounding noises (traffic noises, vibration sounds, etc.), which may prevent the system from recognizing the voice commands correctly.
- When the air conditioner is in the AUTO mode, the fan speed decreases automatically for easy recognition.
- Wait until a tone sounds before speaking a command.

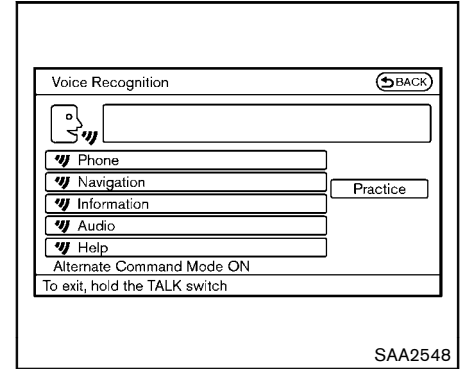


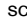
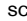
- Speak in a natural voice without pausing between words.




### Giving voice command

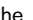
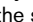
1. Push and release the TALK  switch located on the steering wheel.



2. A list of commands appears on the screen, and the system announces, "Please say a command".
3. After the tone sounds and the icon on the screen changes from  to , speak a command.

### Operating tips:

- Voice commands cannot be accepted when the icon is .
- The list displayed can be scrolled by tilting the menu control switch on the steering wheel.
- If the command is not recognized, the system announces, "Please say again".

- Repeat the command in a clear voice.
- Push the BACK button once to return to the previous screen.
- If you want to cancel the command, push and hold the TALK  switch for 1 second. The message "Voice canceled" will be announced.
- To skip the voice guidance function and give the command immediately, press the TALK  switch to interrupt the system. Remember to speak after the tone.
- If you want to adjust the volume of the system feedback, push the volume control switch (+ or -) on the steering wheel or use the audio system volume knob while the system is making an announcement.

#### How to speak numbers:

NISSAN Voice Recognition requires a certain way to speak numbers when giving voice commands. Refer to the following examples.

#### General rule

Only single digits 0 (zero) to 9 can be used. (For example, if you would like to say 500, "five zero zero" can be used, but "five hundred" cannot.

#### Phone numbers

Speak phone numbers according to the following examples:


- 1-800-662-6200  
— "Dial one eight zero zero six six two six two zero zero."

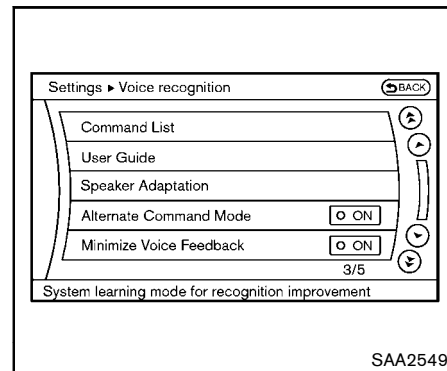
Note 1: For the best voice recognition phone dialing results, say phone numbers as single digits.

Note 2: You cannot say 555-6000 as "five five five six thousands".

Note 3: When speaking a house number, speak the number "0" as "zero". If the letter "o (oh)" is included in the house number, it will not be recognized as the number "0 (zero)" even if you speak "oh" instead of "zero". Please speak "zero" for the number "0 (zero)", "oh" for the letter "o (oh)".

#### Send digits using dial tone:

- Press the TALK  switch during a phone call.
- The menu will be launched and you will be provided with the following guidance: "Please say the digits to dial".
- After guidance, say the digits of the number you want to send. After this, the digits that have been recognized will be read out.
- If you press the ENTER button on the steering wheel or on the multi-function controller, the selected digits will be sent.

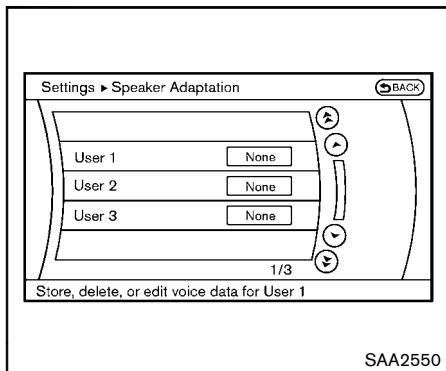


#### Speaker adaptation function (for Alternate Command Mode)

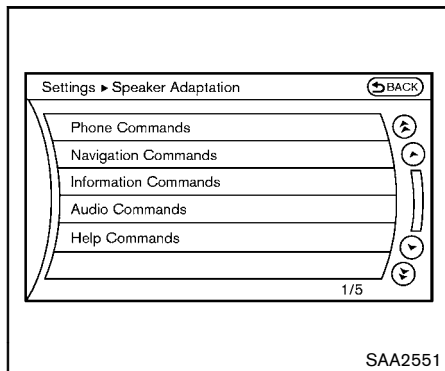
The voice recognition system has a function to learn the user's voice for better voice recognition performance. The system can memorize the voices of up to three persons.

#### Having the system learn the user's voice:

1. Push the SETTING button on the instrument panel and select the "Others" key.
2. Select the "Voice Recognition" key.
3. Select the "Speaker Adaptation" key.



4. Select the user whose voice is memorized by the system.
5. Select the “Start Speaker Adaptation Learning” key.

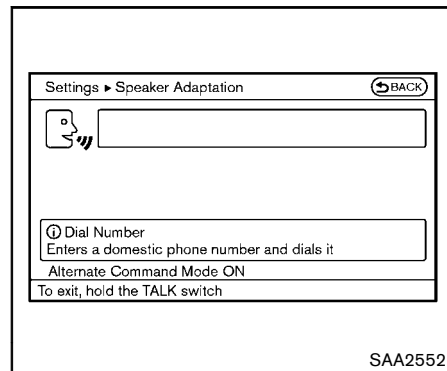




6. Select a category to be learned by the system from the following list.
  - Phone Commands
  - Navigation Commands
  - Information Commands
  - Audio Commands
  - Help Commands


The voice commands in the category are displayed.

7. Select a voice command and then push the ENTER button.

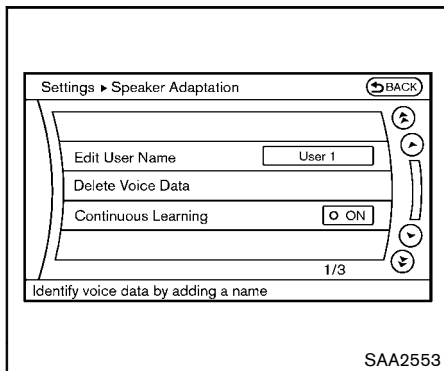
The voice recognition system starts.



8. The system requests that you repeat a command after a tone.
9. After the tone sounds and the icon on the screen changes from  to , speak the command that the system requested.
10. When the system has recognized the voice command, the voice of the user is learned.

Push the  switch or BACK button to return to the previous screen.

If the system has learned the command correctly, the voice command status on the right side of the command turns from “None” to “Stored”.



## Minimize voice feedback (for Alternate Command Mode)

To minimize the voice feedback from the system, perform the following steps.

1. Push the SETTING button on the instrument panel.
2. Select the "Others" key.
3. Select the "Voice Recognition" key.
4. Select the "Minimize Voice Feedback" key.
5. The setting is turned to ON and the voice guidance will now be reduced when using the Voice Recognition system.

### **Speaker Adaptation function settings:**

#### **Edit User Name**

Edit the user name using the keypad displayed on the screen.

#### **Delete Voice Data**

Resets the user's voice that the voice recognition system has learned.

#### **Continuous Learning**

When this item is turned to ON, you can have the system learn the voice commands in succession, without selecting commands one by one.

## TROUBLESHOOTING GUIDE

The system should respond correctly to all voice commands without difficulty. If problems are encountered, follow the solutions given in this guide for the appropriate error.

Where the solutions are listed by number, try each solution in turn, starting with number one, until the problem is resolved.

| Symptom/error message  | Solution  |
|--|---|
| The system fails to interpret the command correctly.                 | 1. Ensure that the command format is valid, see "Command List" earlier in this section.   |
|  | 2. Speak clearly without pausing between words and at a level appropriate to the ambient noise level.   |
|  | 3. Ensure that the ambient noise level is not excessive, for example, windows open or defrost on.<br><b>NOTE:</b><br><b>If it is too noisy to use the phone, it is likely that voice commands will not be recognized.</b> |
|  | 4. If optional words of the command have been omitted, then the command should be tried with these in place.  |
| The system consistently selects the wrong voicetag in the phonebook. | 1. Ensure that the voicetag requested matches what was originally stored. (See "Bluetooth® Hands-Free Phone System (models with navigation system)" earlier in this section; page 4-88.)                                  |
|  | 2. Replace one of the voicetags being confused with a different voicetag.   |
| The system cannot be operated.                                       | 1. Make sure that the soft top (for CrossCabriolet models) is usable. If the soft top is not working, contact a NISSAN dealer.  |
|  | 2. Close the soft top (for CrossCabriolet models).  |
|  | 3. Open and close the soft top (for CrossCabriolet models) before operating the system.   |

# 5 Starting and driving

|  |      |  |      |
|--|------|--|------|
| Precautions when starting and driving .....        | 5-3  | Blind Spot Warning (BSW)/Lane Departure Warning (LDW) systems (if so equipped) ..... | 5-20 |
| Exhaust gas (carbon monoxide) .....                | 5-3  | BSW system operation .....   | 5-22 |
| Three-way catalyst .....                           | 5-4  | BSW driving situations .....   | 5-25 |
| Tire Pressure Monitoring System (TPMS) .....       | 5-4  | LDW system operation .....   | 5-26 |
| Avoiding collision and rollover .....              | 5-7  | BSW/LDW temporary disabled status .....  | 5-29 |
| On-pavement and off-road driving precautions ..... | 5-7  | BSW/LDW automatic deactivation .....   | 5-29 |
| Off-road recovery .....                            | 5-7  | BSW/LDW malfunction .....  | 5-29 |
| Rapid air pressure loss .....                      | 5-8  | Camera unit maintenance .....  | 5-29 |
| Drinking alcohol/drugs and driving .....           | 5-8  | Cruise control .....   | 5-30 |
| Driving safety precautions .....                   | 5-9  | Precautions on cruise control .....  | 5-30 |
| Push-button ignition switch .....                  | 5-11 | Cruise control operations .....  | 5-30 |
| Intelligent Key system .....                       | 5-11 | Break-in schedule .....  | 5-31 |
| Push-button ignition switch operation .....        | 5-12 | Fuel efficient driving tips .....  | 5-32 |
| Push-button ignition switch positions .....        | 5-13 | Increasing fuel economy .....  | 5-33 |
| Emergency engine shut off .....                    | 5-13 | All-Wheel Drive (AWD) (if so equipped) .....   | 5-33 |
| Intelligent Key battery discharge .....            | 5-14 | All-Wheel Drive (AWD) lock switch operations .....                                   | 5-33 |
| Before starting the engine .....                   | 5-14 | AWD warning light .....  | 5-35 |
| Starting the engine .....                          | 5-15 | Parking/parking on hills .....   | 5-36 |
| Driving the vehicle .....                          | 5-16 | Power steering .....   | 5-37 |
| Continuously Variable Transmission (CVT) .....     | 5-16 |  |      |
| Parking brake .....                                | 5-19 |  |      |

|  |      |  |      |
|--|------|--|------|
| Brake system .....                         | 5-37 | Anti-freeze .....                          | 5-41 |
| Braking precautions .....                  | 5-37 | Battery .....                              | 5-41 |
| Parking brake break-in .....               | 5-37 | Draining of coolant water .....            | 5-41 |
| Anti-lock Braking System (ABS) .....       | 5-38 | Tire equipment .....                       | 5-41 |
| Vehicle Dynamic Control (VDC) system ..... | 5-39 | Special winter equipment .....             | 5-41 |
| Cold weather driving .....                 | 5-41 | Driving on snow or ice .....               | 5-41 |
| Freeing a frozen door lock .....           | 5-41 | Engine block heater (if so equipped) ..... | 5-42 |

## PRECAUTIONS WHEN STARTING AND DRIVING



### WARNING

- Do not leave children or adults who would normally require the support of others alone in your vehicle. Pets should not be left alone either. They could accidentally injure themselves or others through inadvertent operation of the vehicle. Also, on hot, sunny days, temperatures in a closed vehicle could quickly become high enough to cause severe or possibly fatal injuries to people or animals.
- Properly secure all cargo with ropes or straps to help prevent it from sliding or shifting. Do not place cargo higher than the seatbacks. In a sudden stop or collision, unsecured cargo could cause personal injury (Hardtop models).
- Closely supervise children when they are around cars to prevent them from playing and becoming locked in the trunk where they could be seriously injured. Keep the car locked with the trunk closed when not in use, and prevent children's

access to car keys (CrossCabriolet models).


### EXHAUST GAS (carbon monoxide)



### WARNING

- Do not breathe exhaust gases; they contain colorless and odorless carbon monoxide. Carbon monoxide is dangerous. It can cause unconsciousness or death.
- If you suspect that exhaust fumes are entering the vehicle, drive with all windows fully open, and have the vehicle inspected immediately.
- Do not run the engine in closed spaces such as a garage.
- Do not park the vehicle with the engine running for any extended length of time.
- Keep the lift gate/trunk closed while driving, otherwise exhaust gases could be drawn into the passenger compartment. If you must drive with the lift gate/trunk open, follow these precautions:

1. Open all the windows.

2. Set the  air recirculation to off and the fan control to high to circulate the air.

- If electrical wiring or other cable connections must pass to a trailer through the seal on the lift gate/trunk or the body, follow the manufacturer's recommendation to prevent carbon monoxide entry into the vehicle.
- If a special body, camper or other equipment is added for recreational or other usage, follow the manufacturer's recommendation to prevent carbon monoxide entry into the vehicle. (Some recreational vehicle appliances such as stoves, refrigerators, heaters, etc. may also generate carbon monoxide.)
- The exhaust system and body should be inspected by a qualified mechanic whenever:
  - The vehicle is raised for service.
  - You suspect that exhaust fumes are entering into the passenger compartment.



- You notice a change in the sound of the exhaust system.
- You have had an accident involving damage to the exhaust system, underbody, or rear of the vehicle.

### THREE-WAY CATALYST

The three-way catalyst is an emission control device installed in the exhaust system. Exhaust gases in the three-way catalyst are burned at high temperatures to help reduce pollutants.



### WARNING

- The exhaust gas and the exhaust system are very hot. Keep people, animals or flammable materials away from the exhaust system components.
- Do not stop or park the vehicle over flammable materials such as dry grass, waste paper or rags. They may ignite and cause a fire.



### CAUTION

- Do not use leaded gasoline. Deposits from leaded gasoline will seriously reduce the three-way catalyst's ability to help reduce exhaust pollutants.
- Keep your engine tuned up. Malfunctions in the ignition, fuel injection, or electrical systems can cause overrich fuel flow into the three-way catalyst, causing it to overheat. Do not keep driving if the engine misfires, or if noticeable loss of performance or other unusual operating conditions are detected. Have the vehicle inspected promptly by a NISSAN dealer.
- Avoid driving with an extremely low fuel level. Running out of fuel could cause the engine to misfire, damaging the three-way catalyst.
- Do not race the engine while warming it up.
- Do not push or tow your vehicle to start the engine.

### TIRE PRESSURE MONITORING SYSTEM (TPMS)

Each tire, including the spare (if provided), should be checked monthly when cold and inflated to the inflation pressure recommended by the vehicle manufacturer on the vehicle placard or tire inflation pressure label. (If your vehicle has tires of a different size than the size indicated on the vehicle placard or tire inflation pressure label, you should determine the proper tire inflation pressure for those tires.)

As an added safety feature, your vehicle has been equipped with a Tire Pressure Monitoring System (TPMS) that illuminates a low tire pressure telltale when one or more of your tires is significantly under-inflated. Accordingly, when the low tire pressure telltale illuminates, you should stop and check your tires as soon as possible, and inflate them to the proper pressure. Driving on a significantly under-inflated tire causes the tire to overheat and can lead to tire failure. Under-inflation also reduces fuel efficiency and tire tread life, and may affect the vehicle's handling and stopping ability.

Please note that the TPMS is not a substitute for proper tire maintenance, and it is the driver's responsibility to maintain correct tire pressure, even if under-inflation has not reached the level to trigger illumination of the TPMS low tire

pressure telltale.

Your vehicle has also been equipped with a TPMS malfunction indicator to indicate when the system is not operating properly. The TPMS malfunction indicator is combined with the low tire pressure telltale. When the system detects a malfunction, the telltale will flash for approximately one minute and then remain continuously illuminated. This sequence will continue upon subsequent vehicle start-ups as long as the malfunction exists. When the malfunction indicator is illuminated, the system may not be able to detect or signal low tire pressure as intended. TPMS malfunctions may occur for a variety of reasons, including the installation of replacement or alternate tires or wheels on the vehicle that prevent the TPMS from functioning properly. Always check the TPMS malfunction telltale after replacing one or more tires or wheels on your vehicle to ensure that the replacement or alternate tires and wheels allow the TPMS to continue to function properly.

#### Additional information

- The TPMS does not monitor the tire pressure of the spare tire.
- The TPMS will activate only when the vehicle is driven at speeds above 16 MPH (25 km/h). Also, this system may not detect a sudden drop in tire pressure (for example a

flat tire while driving).

- The low tire pressure warning light does not automatically turn off when the tire pressure is adjusted. After the tire is inflated to the recommended pressure, the vehicle must be driven at speeds above 16 MPH (25 km/h) to activate the TPMS and turn off the low tire pressure warning light. Use a tire pressure gauge to check the tire pressure.
- The CHECK TIRE PRESSURE warning also appears on the dot matrix liquid crystal display when the low tire pressure warning light is illuminated and low tire pressure is detected. The CHECK TIRE PRESSURE warning turns off when the low tire pressure warning light turns off.  
The CHECK TIRE PRESSURE warning appears each time the ignition switch is placed in the ON position as long as the low tire pressure warning light remains illuminated.  
The CHECK TIRE PRESSURE warning does not appear if the low tire pressure warning light illuminates to indicate a TPMS malfunction.
- Tire pressure rises and falls depending on the heat caused by the vehicle's operation and the outside temperature. Low outside temperature can lower the temperature of

the air inside the tire which can cause a lower tire inflation pressure. This may cause the low tire pressure warning light to illuminate. If the warning light illuminates in low ambient temperature, check the tire pressure for all four tires.

For additional information, see "Low tire pressure warning light" in the "2. Instruments and controls" section and "Tire Pressure Monitoring System (TPMS)" in the "6. In case of emergency" section.



## WARNING

- **If the low tire pressure warning light illuminates while driving, avoid sudden steering maneuvers or abrupt braking, reduce vehicle speed, pull off the road to a safe location and stop the vehicle as soon as possible. Driving with under-inflated tires may permanently damage the tires and increase the likelihood of tire failure. Serious vehicle damage could occur and may lead to an accident and could result in serious personal injury. Check the tire pressure for all four tires. Adjust the tire pressure to the recommended COLD**

tire pressure shown on the Tire and Loading Information label to turn the low tire pressure warning light OFF. If the light still illuminates while driving after adjusting the tire pressure, a tire may be flat. If you have a flat tire, replace it with a spare tire as soon as possible. (See “Flat tire” in the “6. In case of emergency” section for changing a flat tire.)

- When a spare tire is mounted or a wheel is replaced, the TPMS will not function and the low tire pressure warning light will flash for approximately 1 minute. The light will remain on after 1 minute. Contact your NISSAN dealer as soon as possible for tire replacement and/or system resetting.
- Replacing tires with those not originally specified by NISSAN could affect the proper operation of the TPMS.
- Do not inject any tire liquid or aerosol tire sealant into the tires, as this may cause a malfunction of the tire pressure sensors (for models not equipped with the emer-

gency tire puncture repair kit).

- If you used the Emergency Tire Sealant to repair a minor tire puncture, your NISSAN dealer will also need to replace the TPMS sensor in addition to repairing or replacing the tire (for models equipped with the emergency tire puncture repair kit).
- NISSAN recommends using only NISSAN Genuine Emergency Tire Sealant provided with your vehicle. Other tire sealants may damage the valve stem seal which can cause the tire to lose air pressure (for models equipped with the emergency tire puncture repair kit).



## CAUTION

- The TPMS may not function properly when the wheels are equipped with tire chains or the wheels are buried in snow.
- Do not place metalized film or any metal parts (antenna, etc.) on the windows. This may cause poor reception of the signals from the tire

**pressure sensors, and the TPMS will not function properly.**

Some devices and transmitters may temporarily interfere with the operation of the TPMS and cause the low tire pressure warning light to illuminate. Some examples are:

- Facilities or electric devices using similar radio frequencies are near the vehicle.
- If a transmitter set to similar frequencies is being used in or near the vehicle.
- If a computer (or similar equipment) or a DC/AC converter is being used in or near the vehicle.

**FCC Notice:**

**For USA:**

**This device complies with Part 15 of the FCC Rules. Operation is subject to the following two conditions: (1) This device may not cause harmful interference, and (2) this device must accept any interference received, including interference that may cause undesired operation.**

**Note: Changes or modifications not expressly approved by the party responsible for compliance could void the user's authority to operate the equipment.**

## For Canada:

**This device complies with RSS-210 of Industry Canada. Operation is subject to the following two conditions: (1) this device may not cause interference, and (2) this device must accept any interference, including interference that may cause undesired operation of the device.**

## AVOIDING COLLISION AND ROLL-OVER



### WARNING

**Failure to operate this vehicle in a safe and prudent manner may result in loss of control or an accident.**

Be alert and drive defensively at all times. Obey all traffic regulations. Avoid excessive speed, high speed cornering, or sudden steering maneuvers, because these driving practices could cause you to lose control of your vehicle. **As with any vehicle, a loss of control could result in a collision with other vehicles or objects, or cause the vehicle to rollover, particularly if the loss of control causes the vehicle to slide sideways.** Be attentive at all times, and avoid driving when tired. Never drive when under the influence of alcohol or drugs

(including prescription or over-the-counter drugs which may cause drowsiness). Always wear your seat belt as outlined in the “Seat belts” in the “1. Safety — Seats, seat belts and supplemental restraint system” section of this manual, and also instruct your passengers to do so.

Seat belts help reduce the risk of injury in collisions and rollovers. **In a rollover crash, an unbelted or improperly belted person is significantly more likely to be injured or killed than a person properly wearing a seat belt.**

## ON-PAVEMENT AND OFF-ROAD DRIVING PRECAUTIONS

**Utility vehicles have a significantly higher rollover rate than other types of vehicles.**

They have higher ground clearance than passenger cars to make them capable of performing in a variety of on-pavement and off-road applications. This gives them a higher center of gravity than ordinary cars. An advantage of higher ground clearance is a better view of the road, allowing you to anticipate problems. However, they are not designed for cornering at the same speeds as conventional passenger cars any more than low-slung sports cars are designed to perform satisfactorily under off-road conditions. If at all possible, avoid sharp turns or

abrupt maneuvers, particularly at high speeds. As with other vehicles of this type, failure to operate this vehicle correctly may result in loss of control or vehicle rollover. Seat belts help reduce the risk of injury in collisions and rollovers. In a rollover crash, an unbelted or improperly belted person is significantly more likely to be injured or killed than a person properly wearing a seat belt.

Be sure to read “Driving safety precautions” later in this section.

## OFF-ROAD RECOVERY

If the right side or left side wheels unintentionally leave the road surface, maintain control of the vehicle by following the procedure below. Please note that this procedure is only a general guide. The vehicle must be driven as appropriate based on the conditions of the vehicle, road and traffic.

1. Remain calm and do not overreact.
2. Do not apply the brakes.
3. Maintain a firm grip on the steering wheel with both hands and try to hold a straight course.
4. When appropriate, slowly release the accelerator pedal to gradually slow the vehicle.
5. If there is nothing in the way, steer the vehicle to follow the road while the vehicle

speed is reduced. Do not attempt to drive the vehicle back onto the road surface until vehicle speed is reduced.

6. When it is safe to do so, gradually turn the steering wheel until both tires return to the road surface. When all tires are on the road surface, steer the vehicle to stay in the appropriate driving lane.
  - If you decide that it is not safe to return the vehicle to the road surface based on vehicle, road or traffic conditions, gradually slow the vehicle to a stop in a safe place off the road.

## RAPID AIR PRESSURE LOSS

Rapid air pressure loss or a “blow-out” can occur if the tire is punctured or is damaged due to hitting a curb or pothole. Rapid air pressure loss can also be caused by driving on under-inflated tires.

Rapid air pressure loss can affect the handling and stability of the vehicle, especially at highway speeds.

Help prevent rapid air pressure loss by maintaining the correct air pressure and visually inspect the tires for wear and damage. See “Wheels and tires” in the “8. Maintenance and do-it-yourself” section of this manual.

If a tire rapidly loses air pressure or “blows-out”

while driving maintain control of the vehicle by following the procedure below. Please note that this procedure is only a general guide. The vehicle must be driven as appropriate based on the conditions of the vehicle, road and traffic.



## WARNING

**The following actions can increase the chance of losing control of the vehicle if there is a sudden loss of tire air pressure. Losing control of the vehicle may cause a collision and result in personal injury.**

- **The vehicle generally moves or pulls in the direction of the flat tire.**
- **Do not rapidly apply the brakes.**
- **Do not rapidly release the accelerator pedal.**
- **Do not rapidly turn the steering wheel.**

1. Remain calm and do not overreact.
2. Maintain a firm grip on the steering wheel with both hands and try to hold a straight course.

3. When appropriate, slowly release the accelerator pedal to gradually slow the vehicle.
4. Gradually steer the vehicle to a safe location off the road and away from traffic if possible.
5. Lightly apply the brake pedal to gradually stop the vehicle.
6. Turn on the hazard warning flashers and either contact a roadside emergency service to change the tire or see “Changing a flat tire (Hardtop models)” in the “6. In case of emergency” section of this Owner’s Manual.

## DRINKING ALCOHOL/DRUGS AND DRIVING



## WARNING

**Never drive under the influence of alcohol or drugs. Alcohol in the bloodstream reduces coordination, delays reaction time and impairs judgement. Driving after drinking alcohol increases the likelihood of being involved in an accident injuring yourself and others. Additionally, if you are injured in an accident, alcohol can increase the severity of the injury.**

NISSAN is committed to safe driving. However,

you must choose not to drive under the influence of alcohol. Every year thousands of people are injured or killed in alcohol-related accidents. Although the local laws vary on what is considered to be legally intoxicated, the fact is that alcohol affects all people differently and most people underestimate the effects of alcohol.

Remember, drinking and driving don't mix! And that is true for drugs, too (over-the-counter, prescription, and illegal drugs). Don't drive if your ability to operate your vehicle is impaired by alcohol, drugs, or some other physical condition.

### DRIVING SAFETY PRECAUTIONS

Your NISSAN is designed for both normal and off-road use. However, avoid driving in deep water or mud as your NISSAN is mainly designed for leisure use, unlike a conventional off-road vehicle.

Remember that Two-Wheel Drive (2WD) models are less capable than All-Wheel Drive (AWD) models for rough road driving and extrication when stuck in deep snow, mud, or the like.

Please observe the following precautions:



### WARNING

- **Drive carefully when off the road and avoid dangerous areas. Every person who drives or rides in this vehicle should be seated with their seat belt fastened. This will keep you and your passengers in position when driving over rough terrain.**
- **Do not drive across steep slopes. Instead drive either straight up or straight down the slopes. Off-road vehicles can tip over sideways much more easily than they can forward or backward.**
- **Many hills are too steep for any vehicle. If you drive up them, you may stall. If you drive down them, you may not be able to control your speed. If you drive across them, you may roll over.**
- **Do not shift ranges while driving on downhill grades as this could cause loss of control of the vehicle.**
- **Stay alert when driving to the top of a hill. At the top there could be a drop-off or other hazard that could cause an accident.**
- **If your engine stalls or you cannot make it to the top of a steep hill, never attempt to turn around. Your vehicle could tip or roll over. Always back straight down in R (Reverse) range. Never back down in N (Neutral), using only the brake, as this could cause loss of control.**
- **Heavy braking going down a hill could cause your brakes to overheat and fade, resulting in loss of control and an accident. Apply brakes lightly and use a low range to control your speed.**
- **Unsecured cargo can be thrown around when driving over rough terrain. Properly secure all cargo so it will not be thrown forward and cause injury to you or your passengers.**
- **To avoid raising the center of gravity excessively, do not exceed the rated capacity of the roof rack (if so equipped) and evenly distribute the load. Secure heavy loads in the cargo area as far forward and as low as possible. Do not equip the vehicle with tires larger than specified in this manual. This could cause**

your vehicle to roll over.

- Do not grip the inside or spokes of the steering wheel when driving off-road. The steering wheel could move suddenly and injure your hands. Instead drive with your fingers and thumbs on the outside of the rim.
- Before operating the vehicle, ensure that the driver and all passengers have their seat belts fastened.
- Always drive with the floor mats in place as the floor may become hot.
- Lower your speed when encountering strong crosswinds. With a higher center of gravity, your NISSAN is more affected by strong side winds. Slower speeds ensure better vehicle control.
- Do not drive beyond the performance capability of the tires, even with AWD engaged.
- For AWD equipped vehicles, do not attempt to raise two wheels off the ground and shift the transmission to any drive or reverse position with the engine running. Doing so may result in drivetrain damage or un-

expected vehicle movement which could result in serious vehicle damage or personal injury.

- Do not attempt to test an AWD equipped vehicle on a 2-wheel dynamometer (such as the dynamometers used by some states for emissions testing), or similar equipment even if the other two wheels are raised off the ground. Make sure you inform test facility personnel that your vehicle is equipped with AWD before it is placed on a dynamometer. Using the wrong test equipment may result in drivetrain damage or unexpected vehicle movement which could result in serious vehicle damage or personal injury. (AWD models)
- When a wheel is off the ground due to an unlevel surface, do not spin the wheel excessively.
- Accelerating quickly, sharp steering maneuvers or sudden braking may cause loss of control.
- If at all possible, avoid sharp turning maneuvers, particularly at high speeds. Your vehicle has a higher center of gravity than a conventional

passenger car. The vehicle is not designed for cornering at the same speeds as conventional passenger cars. Failure to operate this vehicle correctly could result in loss of control and/or a rollover accident.

- Always use tires of the same type, size, brand, construction (bias, bias-belted or radial), and tread pattern on all four wheels. Install tire chains on the front wheels when driving on slippery roads and drive carefully.
- Be sure to check the brakes immediately after driving in mud or water. See "Brake system" later in this section for wet brakes.
- Avoid parking your vehicle on steep hills. If you get out of the vehicle and it rolls forward, backward or sideways, you could be injured.
- Whenever you drive off-road through sand, mud or water as deep as the wheel hub, more frequent maintenance may be required. See the maintenance information in the "NISSAN Service and Maintenance Guide".

## PUSH-BUTTON IGNITION SWITCH

- Spinning the front wheels on slippery surfaces may cause the AWD warning light to flash and the AWD system to automatically switch from the AWD mode to the 2WD mode. This could reduce traction. Be especially careful when towing a trailer. (AWD models)



### WARNING

Do not operate the push-button ignition switch while driving the vehicle except in an emergency. (The engine will stop when the ignition switch is pushed 3 consecutive times in quick succession or the ignition switch is pushed and held for more than 2 seconds.) If the engine stops while the vehicle is being driven, this could lead to a crash and serious injury.

Before operating the push-button ignition switch, be sure to move the shift lever to the P (Park) position.

## INTELLIGENT KEY SYSTEM

The Intelligent Key system can operate the ignition switch without taking the Intelligent Key out from your pocket or purse. The operating environment and/or conditions may affect the Intelligent Key system operation.



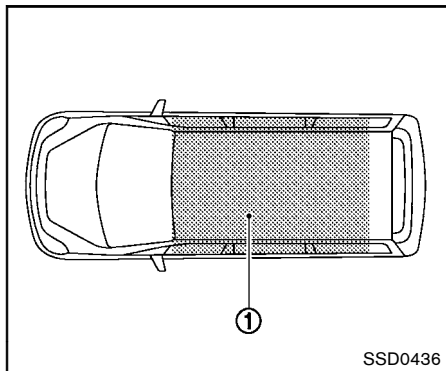
### CAUTION

- Be sure to carry the Intelligent Key with you when operating the vehi-

cle.

- Never leave the Intelligent Key inside the vehicle when you leave the vehicle.





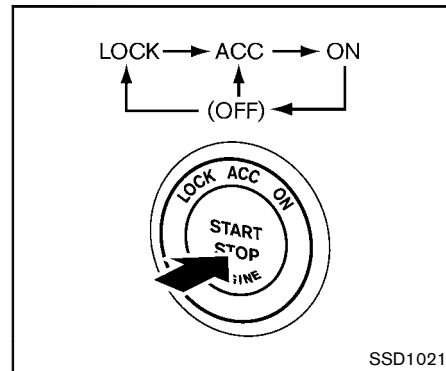
### Operating range for engine start function

The Intelligent Key functions can only be used for starting the engine when the Intelligent Key is within the specified operating range ①.

When the Intelligent Key battery is almost discharged or strong radio waves are present near the operating location, the Intelligent Key system's operating range becomes narrower and may not function properly.

If the Intelligent Key is within the operating range, it is possible for anyone, even someone who does not carry the Intelligent Key, to push the ignition switch to start the engine.

- The cargo/trunk area is not included in the operating range, but the Intelligent Key may function.
- If the Intelligent Key is placed on the instrument panel, rear parcel shelf, inside the glove box or door pocket, the Intelligent Key may not function.
- If the Intelligent Key is placed near the door or window outside the vehicle, the Intelligent Key may function.



### PUSH-BUTTON IGNITION SWITCH OPERATION

When the ignition switch is pushed without depressing the brake pedal, the ignition switch position will change as follows:

- Push center once to change to ACC.
- Push center two times to change to ON.
- Push center three times to change to OFF. (No position illuminates.)
- Push center four times to return to ACC.
- Open or close any door to return to LOCK during the OFF position.

The ignition lock is designed so that the ignition switch position cannot be switched to LOCK

until the shift lever is moved to the P (Park) position.

When the ignition switch cannot be pushed toward the LOCK position, proceed as follows:

1. Move the shift lever into the P (Park) position.
2. Push the ignition switch to the OFF position. (The ignition switch position indicator will not illuminate.)
3. Open the door. The ignition switch will change to the LOCK position.

**The shift lever can be moved from the P (Park) position if the ignition switch is in the ON position and the brake pedal is depressed.**

**If the battery of the vehicle is discharged, the push-button ignition switch cannot be turned from the LOCK position.**

Some indicators and warnings for operation are displayed on the dot matrix liquid crystal display between the speedometer and tachometer. (See “Dot matrix liquid crystal display” in the “2. Instruments and controls” section.)

## PUSH-BUTTON IGNITION SWITCH POSITIONS

### LOCK (Normal parking position)

The ignition switch can only be locked in this position.

The ignition switch will be unlocked when it is pushed to the ACC position while carrying the Intelligent Key or with the Intelligent Key inserted in the Intelligent Key port.

### ACC (Accessories)

This position activates electrical accessories such as the radio, when the engine is not running.

### ON (Normal operating position)

This position turns on the ignition system and electrical accessories.

### OFF

The engine can be turned off in this position.

The ignition lock is designed so that the ignition switch cannot be switched to the LOCK position until the shift lever is moved to the P (Park) position.



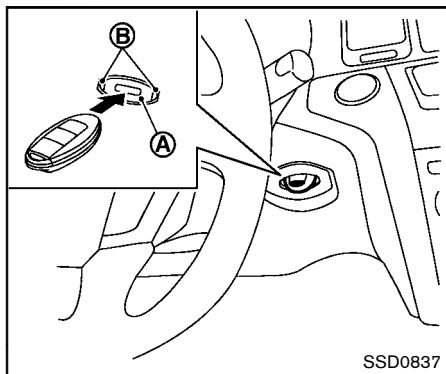
## CAUTION

**Do not leave the vehicle with the push-button ignition switch in ACC or ON positions when the engine is not running for an extended period. This can discharge the battery.**

## EMERGENCY ENGINE SHUT OFF

To shut off the engine in an emergency situation while driving, perform the following procedure:

- Rapidly push the push-button ignition switch 3 consecutive times in less than 1.5 seconds, or
- Push and hold the push-button ignition switch for more than 2 seconds.



## INTELLIGENT KEY BATTERY DISCHARGE

If the battery of the Intelligent Key is almost discharged, the guide light (B) of the key port (A) blinks and the indicator appears on the dot matrix liquid crystal display. (See “Dot matrix liquid crystal display” in the “2. Instruments and controls” section.)

In this case, inserting the Intelligent Key into the port (A) allows you to start the engine. Make sure that the key ring side faces backward as illustrated. Insert the Intelligent Key in the port until it is latched and secured.

To remove the Intelligent Key from the port, push the ignition switch to the OFF position and pull

the Intelligent Key out of the port.

### NOTE:

**The key port does not charge the key battery. If you see the low battery indicator in the dot matrix liquid crystal display, replace the battery as soon as possible. (See “Intelligent Key battery replacement” in the “8. Maintenance and do-it-yourself” section.)**



## CAUTION

- **Never place anything except the Intelligent Key in the key port. Doing so may cause damage to the equipment.**
- **Make sure the Intelligent Key is in the correct direction when inserting it to the key port. The engine may not start if it is in the incorrect direction.**
- **Remove the Intelligent Key from the key port after the ignition switch is pushed to the OFF position.**

## BEFORE STARTING THE ENGINE

- Make sure the area around the vehicle is clear.
- Check fluid levels such as engine oil, coolant, brake fluid and window washer fluid as frequently as possible, or at least whenever you refuel.
- Check that all windows and lights are clean.
- Visually inspect tires for their appearance and condition. Also check tires for proper inflation.
- Lock all doors.
- Position seats and adjust head restraints/headrests.
- Adjust inside and outside mirrors.
- Fasten seat belts and ask all passengers to do likewise.
- Check the operation of warning lights when the ignition switch is pushed to the ON position. (See “Warning/indicator lights and audible reminders” in the “2. Instruments and controls” section.)

## STARTING THE ENGINE

1. Apply the parking brake.
2. Move the shift lever to the P (Park) or N (Neutral) position. (P is recommended.)

The starter is designed not to operate unless the shift lever is in either of the above positions.

3. Push the ignition switch to the ON position. Depress the brake pedal and push the ignition switch to start the engine.

To start the engine immediately, push and release the ignition switch while depressing the brake pedal with the ignition switch in any position.

- If the engine is very hard to start in extremely cold weather or when restarting, depress the accelerator pedal a little (approximately 1/3 to the floor) and while holding, crank the engine. Release the accelerator pedal when the engine starts.
- If the engine is very hard to start because it is flooded, depress the accelerator pedal all the way to the floor and hold it. Push the ignition switch to the ON position to start cranking the engine. After 5 or 6 seconds, stop cranking by pushing the ignition switch to OFF. After cranking the engine, release the accelerator pedal. Crank the engine **with your foot off the accelerator pedal** by

depressing the brake pedal and pushing the push-button ignition switch to start the engine. If the engine starts, but fails to run, repeat the above procedure.



### CAUTION

**Do not operate the starter for more than 15 seconds at a time. If the engine does not start, push the ignition switch to OFF and wait 10 seconds before cranking again, otherwise the starter could be damaged.**

#### 4. Warm-up

Allow the engine to idle for at least 30 seconds after starting. Do not race the engine while warming it up. Drive at moderate speed for a short distance first, especially in cold weather. In cold weather, keep the engine running for a minimum of 2 - 3 minutes before shutting it off. Starting and stopping the engine over a short period of time may make the vehicle more difficult to start.

5. To stop the engine, shift the shift lever to the P (Park) position and push the ignition switch to the OFF position.

#### NOTE:

**Care should be taken to avoid situations that can lead to potential battery discharge and potential no-start conditions such as:**

1. **Installation or extended use of electronic accessories that consume battery power when the engine is not running (Phone chargers, GPS, DVD players, etc.)**
2. **Vehicle is not driven regularly and/or only driven short distances.**

**In these cases, the battery may need to be charged to maintain battery health.**

## DRIVING THE VEHICLE

### CONTINUOUSLY VARIABLE TRANSMISSION (CVT)

The Continuously Variable Transmission (CVT) in your vehicle is electronically controlled to produce maximum power and smooth operation.

The recommended operating procedures for this transmission are shown on the following pages. Follow these procedures for maximum vehicle performance and driving enjoyment.

**Engine power may be automatically reduced to protect the CVT if the engine speed increases quickly when driving on slippery roads or while being tested on some dynamometers.**

#### Starting the vehicle

1. After starting the engine, fully depress the foot brake pedal before moving the shift lever out of the P (Park) position.

**This CVT is designed so that the foot brake pedal must be depressed before shifting from P (Park) to any driving position while the ignition switch is in the ON position.**

**The shift lever cannot be moved out of the P (Park) position and into any of the other positions if the ignition switch is pushed to the LOCK, OFF or ACC position.**

2. Keep the foot brake pedal depressed and move the shift lever to a driving position.
3. Release the parking brake and foot brake pedal, and then gradually start the vehicle in motion.



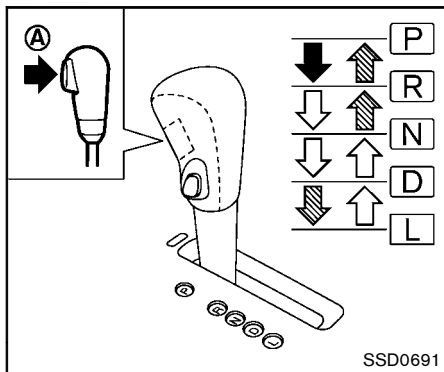
### WARNING

- Do not depress the accelerator pedal while shifting from P (Park) or N (Neutral) to R (Reverse), D (Drive) or L (Low) position. Always depress the brake pedal until shifting is completed. Failure to do so could cause you to lose control and have an accident.
- Cold engine idle speed is high, so use caution when shifting into a forward or reverse gear before the engine has warmed up.
- Never shift to P (Park) or R (Reverse) while vehicle is moving. Failure to do so could cause you to lose control and have an accident.



### CAUTION

- Except in an emergency, do not shift to the N (Neutral) position while driving. Coasting with the transmission in the N (Neutral) position may cause serious damage to the transmission.
- When stopping the vehicle on an uphill grade, do not hold the vehicle by depressing the accelerator pedal. The foot brake should be used for this purpose.
- Do not downshift abruptly on slippery roads. This may cause a loss of control.



To move the shift lever,

- ➡: Push the button **A** while depressing the brake pedal.
- ↗: Push the button **A**.
- ↖: Just move the shift lever.

## Shifting

After starting the engine, fully depress the brake pedal, push the shift lever button and move the shift lever from the P (Park) position to any of the desired shift positions.

## WARNING

Apply the parking brake if the shift lever is in any position while the engine is not running. Failure to do so could cause the vehicle to move unexpectedly or roll away and result in serious personal injury or property damage.

## CAUTION

Use the P (Park) or R (Reverse) position only when the vehicle is completely stopped.

### P (Park):

Use this position when the vehicle is parked or when starting the engine. Make sure the vehicle is completely stopped. **The brake pedal must be depressed and the shift lever button pushed in to move the shift lever from N (Neutral) or any drive position to P (Park).** Apply the parking brake. When parking on a hill, apply the parking brake first, then move the shift lever to the P (Park) position.

### R (Reverse):

Use this position to back up. Make sure the vehicle is completely stopped before selecting the R (Reverse) position. **The brake pedal must be depressed and the shift lever button pushed in to move the shift lever from P (Park), N (Neutral) or any driving position to R (Reverse).**

### N (Neutral):

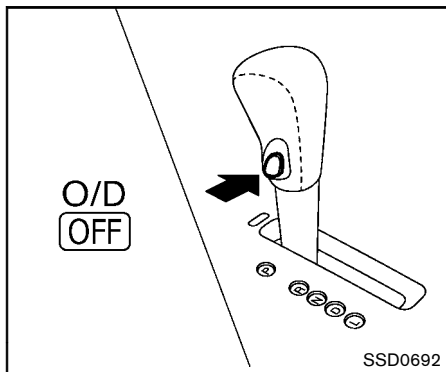
Neither forward nor reverse gear is engaged. The engine can be started in this position. You may shift to N (Neutral) and restart a stalled engine while the vehicle is moving.

### D (Drive):

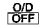
Use this position for all normal forward driving.

### L (Low):


Use this position for maximum engine braking on steep downhill gradients/climbing steep slopes and whenever approaching sharp bends. Do not use the L position in any other circumstances.



### Overdrive (O/D) OFF switch

When the O/D OFF switch is pushed with the shift lever in the D (Drive) position, the  indicator light in the instrument panel illuminates.

Use the overdrive off mode when you need improved engine braking.

To turn off the overdrive off mode, push the O/D OFF switch again. The  indicator light will turn off.

Each time the engine is started, or when the shift lever is shifted to any position other than the D (Drive) position, the overdrive off mode will be automatically turned off.

### Accelerator downshift — In D position —

For passing or hill climbing, fully depress the accelerator pedal to the floor. This shifts the transmission down into a lower gear, depending on the vehicle speed.

### High fluid temperature protection mode

This transmission has a high fluid temperature protection mode. If the fluid temperature becomes too high (for example, when climbing steep grades in high temperature with heavy loads, such as when towing a trailer), engine power and, under some conditions, vehicle speed will be decreased automatically to reduce the chance of transmission damage. Vehicle speed can be controlled with the accelerator pedal, but the engine and vehicle speed may be limited.

### Fail-safe

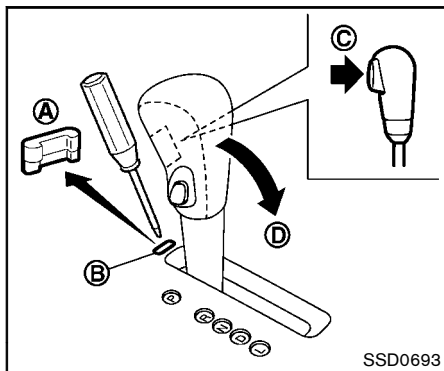
**If the vehicle is driven under extreme conditions, such as excessive wheel spinning and subsequent hard braking, the fail-safe system may be activated. The MIL may illuminate to indicate the fail-safe mode is activated. (See “Malfunction Indicator Light (MIL)” in the “2. Instruments and controls” section.) This will occur even if all electrical circuits are functioning properly. In this case, place the ignition**

**switch in the OFF position and wait for 10 seconds. Then place the ignition switch back in the ON position. The vehicle should return to its normal operating condition. If it does not return to its normal operating condition, have a NISSAN dealer check the transmission and repair if necessary.**



### WARNING

**When the high fluid temperature protection mode or fail-safe operation occurs, vehicle speed may be gradually reduced. The reduced speed may be lower than other traffic, which could increase the chance of a collision. Be especially careful when driving. If necessary, pull to the side of the road at a safe place and allow the transmission to return to normal operation, or have it repaired if necessary.**



### Shift lock release

If the battery charge is low or discharged, the shift lever may not be moved from the P (Park) position even with the brake pedal depressed and the shift lever button pushed.

To move the shift lever, perform the following procedure:

1. Push the ignition switch to the OFF or LOCK position.
2. Apply the parking brake.
3. Remove the shift lock release cover (A) using a suitable tool.

4. Push down the shift lock release (B) using a suitable tool.
5. Push the shift lever button (C) and move the shift lever to the N (Neutral) position (D) while holding down the shift lock release.

The vehicle may be moved to the desired location.

Replace the removed shift lock release cover after the operation.

If the shift lever cannot be moved out of the P (Park) position, have a NISSAN dealer check the CVT system as soon as possible.

### WARNING

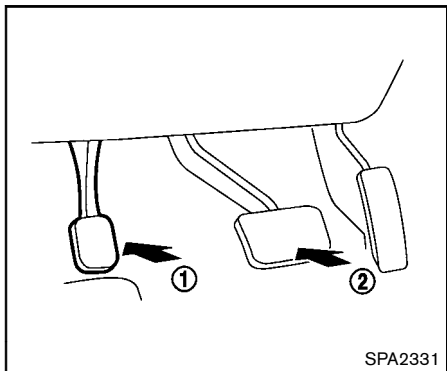
**If the shift lever cannot be moved from the P (Park) position while the engine is running and the brake pedal is depressed, the stop lights may not work. Malfunctioning stop lights could cause an accident injuring yourself and others.**

## PARKING BRAKE

### WARNING

- **Be sure the parking brake is fully released before driving. Failure to do so can cause brake failure and lead to an accident.**
- **Do not release the parking brake from outside the vehicle.**
- **Do not use the gear shift in place of the parking brake. When parking, be sure the parking brake is fully engaged.**
- **Do not leave children unattended in a vehicle. They could release the parking brake and cause an accident.**





**To apply:** Fully depress the parking brake pedal ①.

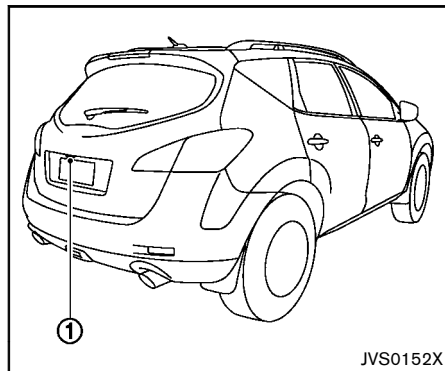
**To release:**

1. Firmly apply the foot brake ②.
2. Depress the parking brake pedal ① and the parking brake will be released.
3. Before driving, be sure the brake warning light goes out.

## **BLIND SPOT WARNING (BSW)/ LANE DEPARTURE WARNING (LDW) SYSTEMS (if so equipped)**

The Blind Spot Warning (BSW) system helps alert the driver of other vehicles in adjacent lanes when changing lanes.

The Lane Departure Warning (LDW) system helps alert the driver when the vehicle is traveling close to either the left or the right of a traveling lane.



The BSW/LDW systems use the RearView Monitor camera unit ① with automatic washer and blower.

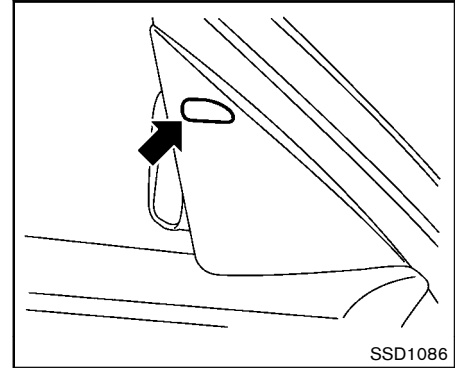
### **WARNING**

- **The BSW system is not a replacement for proper driving procedure and is not designed to prevent contact with vehicles or objects. When changing lanes, always use the side and rear mirrors and turn and look in the direction you will move to ensure it is safe to change lanes. Never rely solely on the BSW**

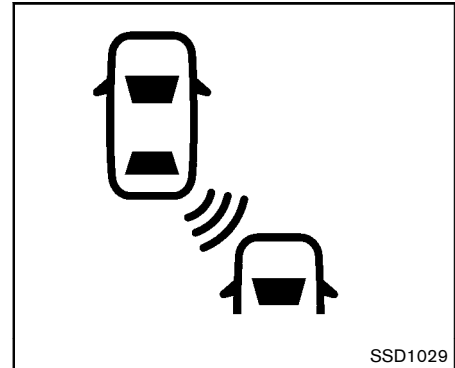
system.

- The LDW system is only a warning device to help inform the driver of a potential unintended lane departure. It will not steer the vehicle or prevent loss of control. It is the driver's responsibility to stay alert, drive safely, keep the vehicle in the traveling lane, and be in control of the vehicle at all times.
- The camera unit may not function properly under the following conditions:
  - When towing a trailer.
  - When strong light enters the camera unit. (for example, light directly shines on the rear of the vehicle at sunrise or sunset.)
  - When ambient brightness changes suddenly. (for example, when the vehicle enters or exits a tunnel or passes under a bridge.)
- If the camera lens is excessively dirty, the automatic washer may not be able to completely clean the lens. This could result in the camera not detecting vehicles or lane markers.

- Excessive noise (for example, audio system volume, open vehicle window) will interfere with the chime sound, and it may not be heard.



Blind Spot Indicator light

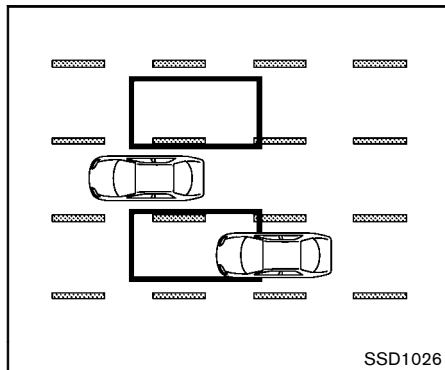


BSW light (orange, green)

## BSW SYSTEM OPERATION

The BSW system operates above approximately 20 MPH (32 km/h).

When the camera unit detects vehicles in the detection zone, the Blind Spot Indicator light located inside the outside mirrors will illuminate. If the turn signal is then activated, the system chimes (twice).



### Detection zone

The camera unit can detect vehicles on either side of your vehicle when part of another vehicle is within the detection zone shown as illustrated.

This detection zone typically starts from the outside mirror of your vehicle and extends approximately 10 ft (3 m) behind the rear bumper, and approximately 10 ft (3 m) sideways.

### NOTE:

**The Blind Spot Indicator light will illuminate for a few seconds when the ignition switch is placed in the ON position.**

The brightness of the Blind Spot Indicator lights is adjusted automatically depending on the

brightness of the ambient light.

A chime sounds if the camera unit has already detected vehicles when the driver activates the turn signal. If a vehicle comes into the detection zone after the driver activates the turn signal, then only the Blind Spot Indicator light flashes and no chime sounds. (See “BSW driving situations” later in this section.)

### Turning on or off the BSW system

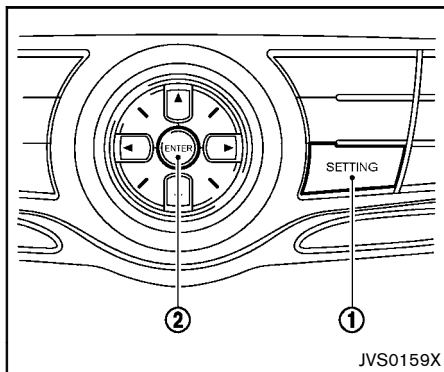
The BSW system can be turned on or off using the setting menu on the center display.

### SYSTEM ON:

The BSW light (green) on the instrument panel will light up.

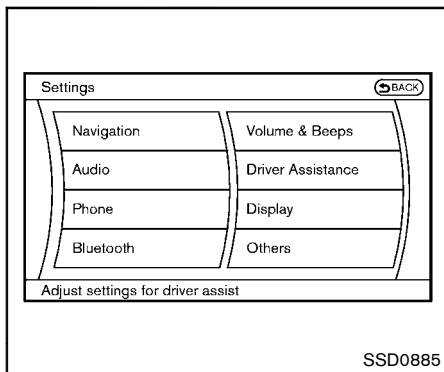
### SYSTEM OFF:

The BSW light (green) on the instrument panel will go out.

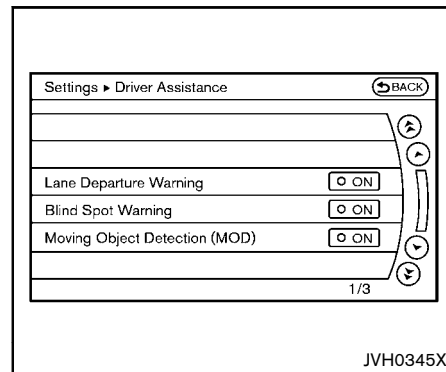


Perform the following steps to enable or disable the BSW system.

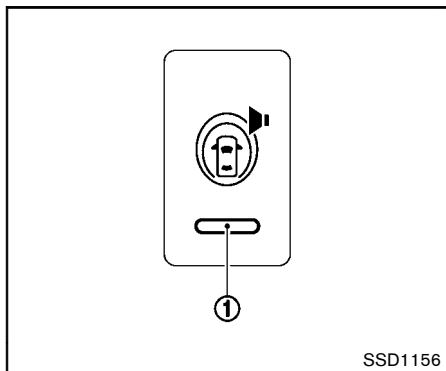
1. Push the SETTING ① button and highlight the "Driver Assistance" key on the display using the multi-function controller. Then push the ENTER ② button.



Example



2. Highlight the "Blind Spot Warning" key, select ON (enabled) or OFF (disabled) and push the ENTER ② button.



**Warning systems switch**

The warning systems switch is used to temporarily turn off the warning systems (Lane Departure Warning (LDW) and Blind Spot Warning (BSW) systems) that are activated using the settings menu.



## **WARNING**

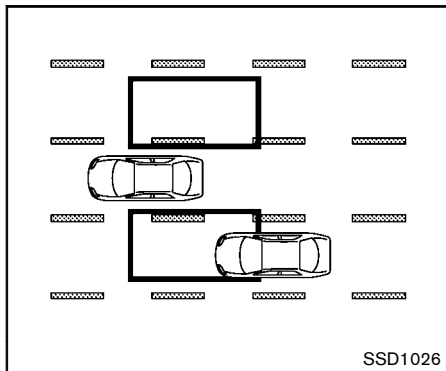
- **The camera unit may not be able to detect when certain objects are present such as:**
  - Pedestrians, bicycles, animals

- Some types of small vehicles such as motorcycles and very short length vehicles
- Oncoming vehicles
- A vehicle approaching rapidly from behind. (See “BSW driving situations” later in this section.)
- A vehicle which your vehicle overtakes rapidly. (See “BSW driving situations” later in this section.)
- A vehicle that merges or changes lanes rapidly directly next to your vehicle.

- **The camera unit may not be able to detect properly when your vehicle travels beside the middle section of a vehicle with long wheelbase (for example, trailer truck, semi-trailer, tractor).**
- **The camera detection zone is designed based on a standard lane width. When driving in a wider lane, the camera unit may not detect vehicles in an adjacent lane. When driving in a narrow lane, the camera unit may detect vehicles driving two**

lanes away.

- **The camera unit is designed to ignore most stationary objects, however objects such as guardrails, walls, foliage and parked vehicles may occasionally be detected. This is a normal operating condition.**
- **The camera unit may detect the reflected image of vehicles or roadside objects that are not actually in the detection zone, especially when the road is wet.**

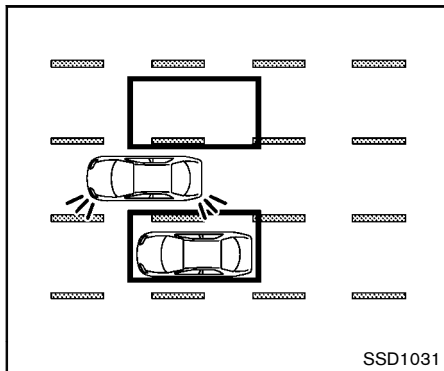


## BSW DRIVING SITUATIONS

### Another vehicle approaching from behind

The Blind Spot Indicator light illuminates if a vehicle enters the detection zone from behind in an adjacent lane.

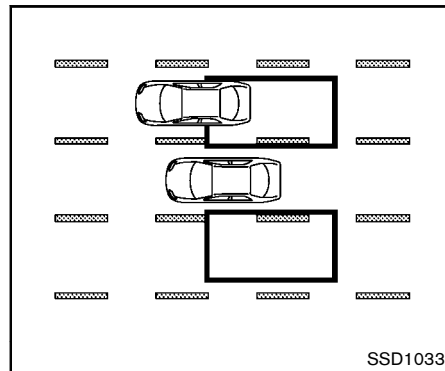
However, if the overtaking vehicle is traveling much faster than your vehicle, the indicator light may not illuminate before the detected vehicle is beside your vehicle. Always use the side and rear mirrors and turn and look in the direction your vehicle will move to ensure it is safe to change lanes.



If the driver activates the turn signal, then the Blind Spot Indicator light flashes and a chime will sound twice.

#### **NOTE:**

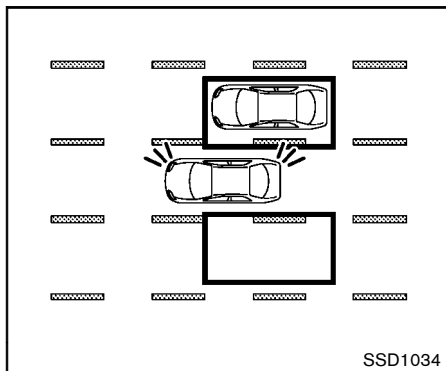
**If the driver activates the turn signal before a vehicle enters the detection zone, the Blind Spot Indicator light will flash but no chime will sound when the other vehicle is detected.**



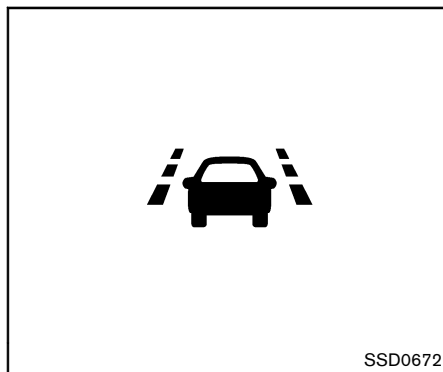
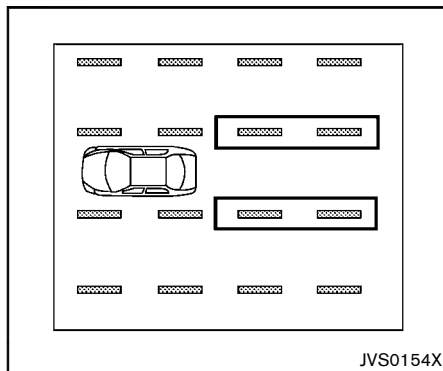
### Overtaking other vehicles

The Blind Spot Indicator light illuminates if you overtake a vehicle and that vehicle stays in the detection zone for approximately 3 seconds.

The camera unit may not detect slower moving vehicles if they are passed quickly.



If the driver activates the turn signal while another vehicle is in the detection zone, then the Blind Spot Indicator light flashes and a chime will sound twice.



LDW light (orange, green)

## LDW SYSTEM OPERATION

The LDW system operates above approximately 43 MPH (70 km/h).

When the vehicle approaches either the left or the right of the traveling lane, the LDW system will chime a sound and the LDW light (orange) on the instrument panel will blink to alert the driver.

The LDW system is not designed to operate under the following conditions.

- When you operate the lane change signal and change traveling lanes in the direction of the signal. (The LDW system will become operable again approximately 2 seconds after the lane change signal is turned off.)
- When the vehicle speed is less than approximately 43 MPH (70 km/h).

After the above conditions have finished and the necessary operating conditions are satisfied, the LDW functions will resume.

## Turning on or off the LDW system

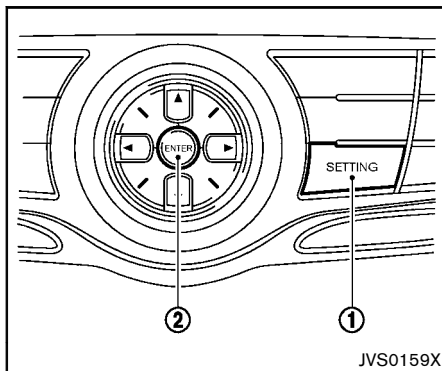
The LDW system is turned on or off using the setting menu on the center display.

### SYSTEM ON:

The LDW light (green) on the instrument panel will light up.

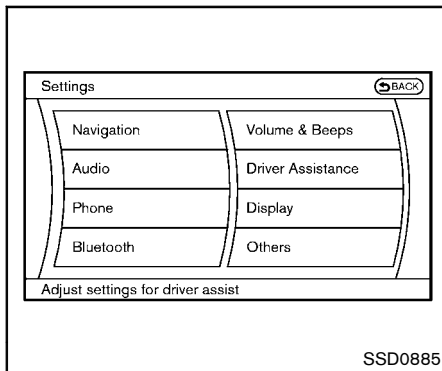
### SYSTEM OFF:

The LDW light (green) on the instrument panel will go out.



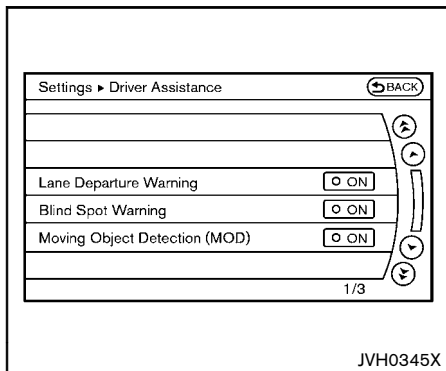
Perform the following steps to enable or disable the LDW system.

1. Push the SETTING ① button and highlight the "Driver Assistance" key on the display using the multi-function controller. Then push the ENTER ② button.

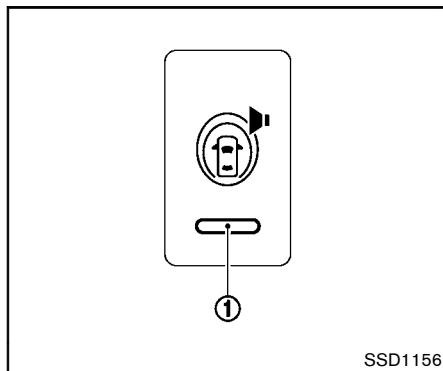


Example





2. Highlight the “Lane Departure Warning” key, select ON (enabled) or OFF (disabled) and push the ENTER **2** button.



**Warning systems switch**

The warning systems switch is used to temporarily turn off the warning systems (Lane Departure Warning (LDW) and Blind Spot Warning (BSW) systems) that are activated using the settings menu.

## **WARNING**

- **The camera unit may not be able to detect properly under the following conditions:**
  - On roads where there are multiple parallel lane markers; lane markers that are faded or not

painted clearly; yellow painted lane markers; nonstandard lane markers; or lane markers covered with water, dirt, snow, etc.

- On roads where the discontinued lane markers are still detectable.
- On roads where there are sharp curves.
- On roads where there are sharply contrasting objects, such as shadows, snow, water, wheel ruts, seams or lines remaining after road repairs. (The LDW system could detect these items as lane markers.)
- On roads where the traveling lane merges or separates.
- When the vehicle’s traveling direction does not align with the lane marker.
- When the road surface is very dark due to weak ambient light or impaired tail lamp.
- **When driving on a curved road, warning will be late on the outside**

**of the curve.**

## BSW/LDW TEMPORARILY DISABLED STATUS

When the lift gate is open and/or the low washer fluid is detected, the BSW and/or LDW system is turned off temporarily. The BSW light (green) and/or the LDW light (green) will blink, and either of the following message will appear on the dot matrix liquid crystal display:

- “Back Door Open”
- “Low Washer”

When the above conditions are corrected, the BSW and/or LDW system will resume automatically.

## BSW/LDW AUTOMATIC DEACTIVATION

When dirt, rain or snow cannot be removed by the automatic washer and blower and accumulates on the camera, making it impossible to detect the vehicles or the lane markers, the BSW and/or LDW system will be turned off automatically. The BSW light (green) and/or LDW light (green) will blink, and the “Unavailable : Clean rear camera” will appear in the dot matrix liquid crystal display.

Action to take:

If the message appears, park the vehicle in a

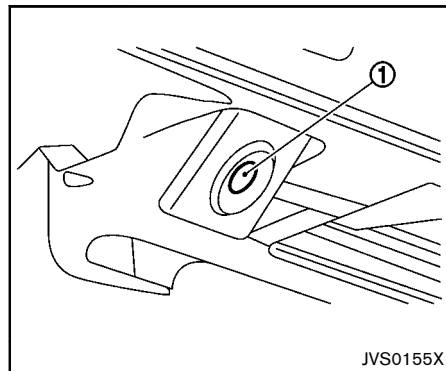
safe place, clean the camera unit with a soft cloth. Then turn off and restart the engine.

## BSW/LDW MALFUNCTION

When the BSW and/or LDW system malfunctions, they will be turned off automatically, the BSW light (orange) and/or LDW light (orange) will illuminate.

Action to take:

Stop the vehicle in a safe location, turn off and restart the engine. If the BSW light (orange) and/or LDW light (orange) continues to illuminate, have the BSW and/or LDW system checked by a NISSAN dealer.



## CAMERA UNIT MAINTENANCE

The rear camera unit ① for the LDW/BSW systems is located above the rear licence plate. To maintain the proper operation of the LDW/BSW systems and help keep the system functioning, be sure to observe the following:

- Always keep the camera unit clean. Be careful not to damage the nozzle of automatic washer and blower.
- Do not attach “license plate accessories” that reflect light.
- Do not strike or damage the areas around the camera unit.

## CRUISE CONTROL

### PRECAUTIONS ON CRUISE CONTROL

- If the cruise control system malfunctions, it will cancel automatically. The CRUISE indicator light on the meter panel will then blink to warn the driver.
- If the engine coolant temperature becomes excessively high, the cruise control system will cancel automatically.
- If the CRUISE indicator light blinks, turn the cruise control main switch off and have the system checked by a NISSAN dealer.
- The CRUISE indicator light may blink when the cruise control main switch is turned ON while pushing the ACCEL/RES, COAST/SET or CANCEL switch. To properly set the cruise control system, perform the following procedures.



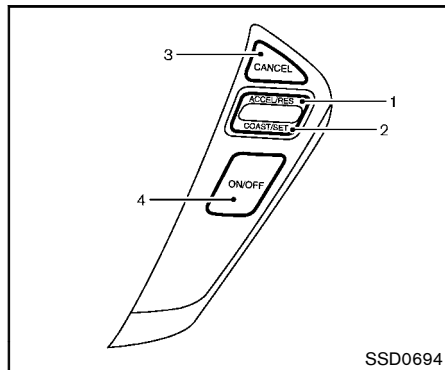
### WARNING

**Do not use the cruise control when driving under the following conditions:**

- **when it is not possible to keep the vehicle at a set speed**
- **in heavy traffic or in traffic that varies in speed**

- **on winding or hilly roads**
- **on slippery roads (rain, snow, ice, etc.)**
- **in very windy areas**

**Doing so could cause a loss of vehicle control and result in an accident.**



1. ACCEL/RES switch
2. COAST/SET switch
3. CANCEL switch
4. MAIN (ON-OFF) switch

### CRUISE CONTROL OPERATIONS

The cruise control allows driving at a speed between 25 to 90 MPH (40 to 144 km/h) without keeping your foot on the accelerator pedal.

**To turn on the cruise control**, push the MAIN switch on. The CRUISE indicator light will illuminate.

**To set cruising speed**, accelerate the vehicle to the desired speed, push the COAST/SET switch and release it. Take your foot off the

accelerator pedal. Your vehicle will maintain the set speed.

- **To pass another vehicle**, depress the accelerator pedal. When you release the pedal, the vehicle will return to the previously set speed.
- The vehicle may not maintain the set speed on winding or hilly roads. If this happens, drive without the cruise control.

**To cancel the preset speed**, use one of the following methods:

1. Push the CANCEL switch.
  2. Tap the brake pedal.
  3. Turn the MAIN switch off. The CRUISE light will turn off.
- If you depress the brake pedal while pushing the ACCEL/RES or COAST/SET switch and reset at the cruising speed, the cruise control will disengage. Turn the MAIN switch off once and then turn it on again.
  - The cruise control will automatically cancel if the vehicle slows more than 8 MPH (13 km/h) below the set speed.
  - If you move the shift lever to the N (Neutral) position, the cruise control will be canceled.

**To reset at a faster cruising speed**, use one of the following methods:

- Depress the accelerator pedal. When the vehicle attains the desired speed, push and release the COAST/SET switch.
- Push and hold the ACCEL/RES switch. When the vehicle attains the desired speed, release the switch.
- Push, then quickly release the ACCEL/RES switch. Each time you do this, the set speed will increase by about 1 MPH (1.6 km/h).

**To reset at a slower cruising speed**, use one of the following methods:

- Lightly tap the brake pedal. When the vehicle attains the desired speed, push the COAST/SET switch and release it.
- Push and hold the COAST/SET switch. Release the switch when the vehicle slows down to the desired speed.
- Push, then quickly release the COAST/SET switch. Each time you do this, the set speed will decrease by about 1 MPH (1.6 km/h).

**To resume the preset speed**, push and release the ACCEL/RES switch. The vehicle will resume the last set cruising speed when the vehicle speed is over 25 MPH (40 km/h).

## BREAK-IN SCHEDULE



### CAUTION

**During the first 1,200 miles (2,000 km), follow these recommendations to obtain maximum engine performance and ensure the future reliability and economy of your new vehicle. Failure to follow these recommendations may result in shortened engine life and reduced engine performance.**

- Avoid driving for long periods at constant speed, either fast or slow. Do not run the engine over 4,000 rpm.
- Do not accelerate at full throttle in any gear.
- Avoid quick starts.
- Avoid hard braking as much as possible.
- Do not tow a trailer for the first 500 miles (800 km). Your engine, axle or other parts could be damaged.

## FUEL EFFICIENT DRIVING TIPS

Follow these easy-to-use Fuel Efficient Driving Tips to help you achieve the most fuel economy from your vehicle.

1. Use smooth accelerator and brake pedal application.
  - Avoid rapid starts and stops.
  - Use smooth, gentle accelerator and brake application whenever possible.
  - Maintain constant speed while commuting and coast whenever possible.
2. Maintain constant speed.
  - Look ahead to try and anticipate and minimize stops.
  - Synchronizing your speed with traffic lights allows you to reduce your number of stops.
  - Maintaining a steady speed can minimize red light stops and improve fuel efficiency.
3. Use air conditioning (A/C) at higher vehicle speeds.
  - Below 40 MPH (64 km/h), it is more efficient to open windows to cool the vehicle due to reduced engine load.
  - Above 40 MPH (64 km/h), it is more efficient to use A/C to cool the vehicle due to increased aerodynamic drag.
  - Recirculating the cool air in the cabin when the A/C is on reduces cooling load.
4. Drive at economical speeds and distances.
  - Observing the speed limit and not exceeding 60 MPH (97 km/h) (where legally allowed) can improve fuel efficiency due to reduced aerodynamic drag.
  - Maintaining a safe following distance behind other vehicles reduces unnecessary braking.
  - Safely monitoring traffic to anticipate changes in speed permits reduced braking and smooth acceleration changes.
  - Select a gear range suitable to road conditions.
5. Use cruise control.
  - Using cruise control during highway driving helps maintain a steady speed.
  - Cruise control is particularly effective in providing fuel savings when driving on flat terrains.
6. Plan for the shortest route.
  - Utilize a map or navigation system to determine the best route to save time.
7. Avoid idling.
  - Shutting off your engine when safe for stops exceeding 30-60 seconds saves fuel and reduces emissions.
8. Buy an automated pass for toll roads.
  - Automated passes permit drivers to use special lanes to maintain cruising speed through the toll and avoid stopping and starting.
9. Winter warm up.
  - Limit idling time to minimize impact to fuel economy.
  - Vehicles typically need no more than 30 seconds of idling at start-up to effectively circulate the engine oil before driving.
  - Your vehicle will reach its ideal operating temperature more quickly while driving versus idling.
10. Keeping your vehicle cool.
  - Park your vehicle in a covered parking area or in the shade whenever possible.
  - When entering a hot vehicle, opening the windows will help to reduce the inside temperature faster, resulting in reduced demand on your A/C system.

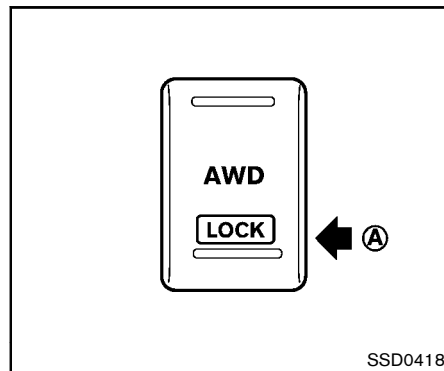
## INCREASING FUEL ECONOMY

- Keep your engine tuned up.
- Follow the recommended scheduled maintenance.
- Keep the tires inflated to the correct pressure. Low tire pressure increases tire wear and lowers fuel economy.
- Keep the wheels in correct alignment. Improper alignment increases tire wear and lowers fuel economy.
- Use the recommended viscosity engine oil. (See "Engine oil and oil filter recommendation" in the "9. Technical and consumer information" section.)

## ALL-WHEEL DRIVE (AWD) (if so equipped)


### WARNING

- **For AWD equipped vehicles, do not attempt to raise two wheels off the ground and shift the transmission to any drive or reverse position with the engine running. Doing so may result in drivetrain damage or unexpected vehicle movement which could result in serious vehicle damage or personal injury.**
- **Do not attempt to test an AWD equipped vehicle on a 2-wheel dynamometer (such as the dynamometers used by some states for emissions testing) or similar equipment even if the other two wheels are raised off the ground. Make sure that you inform the test facility personnel that your vehicle is equipped with AWD before it is placed on a dynamometer. Using the wrong test equipment may result in drivetrain damage or unexpected vehicle movement which could result in serious vehicle damage or personal injury.**



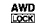
### ALL-WHEEL DRIVE (AWD) LOCK SWITCH OPERATIONS

The AWD LOCK switch is located on the lower side of the instrument panel (CrossCabriolet models) or on the center console (Hardtop models). This switch is used to select the AUTO or LOCK mode depending on the driving conditions.

Each time you push the lower part of the switch , the AWD mode will switch:


AUTO → LOCK → AUTO.

## LOCK mode

The AWD LOCK indicator light  will illuminate.

## AUTO mode

The AWD LOCK indicator light will turn off.

|          |  |  |  |
|----------|--|--|--|
| AWD mode | Wheel driven   | AWD LOCK indicator light   | Use conditions                         |
| AUTO     | Distribution of torque to the front and rear wheels changes automatically, depending on road conditions encountered [100:0] ↔ [50:50]. This results in improved driving stability.*1 | Turns off.   | For driving on paved or slippery roads |
| LOCK     | All-wheel drive*2, *3  | AWD LOCK  | For driving on rough roads             |

\*1: When the rotation difference between the front and rear wheels is large, the AWD mode may change from AUTO to LOCK for a while, however, this is not a malfunction.

\*2: LOCK mode will change to AUTO mode automatically when the vehicle has been driven at a high speed. The AWD LOCK indicator light turns off.

\*3: LOCK mode will automatically be cancelled when the ignition switch is placed in the OFF position.

- If the AWD LOCK switch is operated while accelerating or decelerating, or if the ignition switch is turned off, you may feel a jolt. This is normal.
- The oil temperature of power train parts will increase if the vehicle is continuously operated under conditions where the difference in rotation between the front and rear wheels is large (wheel slip), such as when driving the vehicle on rough roads through sand, mud or freeing a stuck vehicle. In these cases, the AWD warning light blinks rapidly and the AWD mode changes to 2WD to protect the powertrain parts. If you stop driving with the engine idling and wait until the warning light stops blinking, the AWD returns to the AUTO mode.

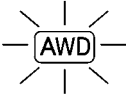




## WARNING

- **When driving straight, shift the AWD LOCK switch to AUTO. Do not operate the AWD LOCK switch when making a turn or backing up.**
- **Do not operate the AWD LOCK switch with the front wheel spin-**

ning.

- **Engine idling speed is high while warming up the engine. Be especially careful when starting or driving on slippery surfaces.**
- **When turning the vehicle in LOCK mode on paved roads, you may feel a braking effect. This is a normal condition of the AWD model.**

| Warning light   | Comes on or blinks when                                     |
|---|---|
| <br>Comes on       | There is a malfunction in the All-Wheel Drive (AWD) system. |
| <br>Blinks rapidly | The powertrain oil temperature rises extremely.             |
| <br>Blinks slowly  | The difference in wheel rotation is large.                  |

SSD0336B

## AWD WARNING LIGHT

The AWD warning light is located in the meter. The AWD warning light illuminates when the ignition switch is pushed to the ON position. It turns off soon after the engine is started.

If any malfunction occurs in the AWD system

while the engine is running, the warning light will come on.

The warning light may blink rapidly (about twice per second) while trying to free a stuck vehicle due to high powertrain oil temperature. The driving mode may change to 2WD. The AUTO mode may change to the LOCK mode before the warning light blinks. If the warning light blinks rapidly during operation, stop the vehicle with the engine idling in a safe place immediately. Then if the light turns off after a while, you can continue driving.

A large difference between the diameters of front and rear wheels will make the warning light blink slowly (about once per two seconds). Pull off the road in a safe area, and idle the engine. Check that all tire sizes are the same, tire pressure is correct and tires are not worn.



## CAUTION

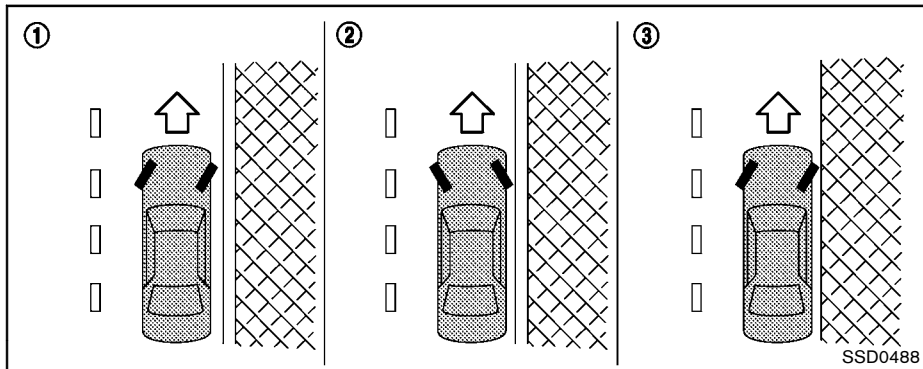
- If the warning light remains on after the above operation, have your vehicle checked by a NISSAN dealer as soon as possible.
- If the warning light comes on while driving there may be a malfunction in the AWD system. Reduce the vehicle speed and have your vehicle

**checked by a NISSAN dealer as soon as possible.**

- **The powertrain may be damaged if you continue driving with the warning light blinking.**
- **Never drive on dry hard surface roads in the LOCK mode, as this will overload the powertrain and may cause a serious malfunction.**



## PARKING/PARKING ON HILLS



### WARNING

- Do not stop or park the vehicle over flammable materials such as dry grass, waste paper or rags. They may ignite and cause a fire.
- Safe parking procedures require that both the parking brake be set and the transmission placed into P (Park). Failure to do so could cause the vehicle to move unexpectedly or roll away and result in an accident. Make sure the shift lever has been pushed as far forward as it can go

and cannot be moved without depressing the foot brake pedal.

- Never leave the engine running while the vehicle is unattended.
- Do not leave children unattended inside the vehicle. They could unknowingly activate switches or controls. Unattended children could become involved in serious accidents.

1. Firmly apply the parking brake.
2. Move the shift lever to the P (Park) position.

3. To help prevent the vehicle from rolling into traffic when parked on an incline, it is a good practice to turn the wheels as illustrated.

- HEADED DOWNHILL WITH CURB: ①  
Turn the wheels into the curb and move the vehicle forward until the curb side wheel gently touches the curb.
- HEADED UPHILL WITH CURB: ②  
Turn the wheels away from the curb and move the vehicle back until the curb side wheel gently touches the curb.
- HEADED UPHILL OR DOWNHILL, NO CURB: ③

Turn the wheels toward the side of the road so the vehicle will move away from the center of the road if it moves.

4. Push the ignition switch to the LOCK position.

## POWER STEERING



### WARNING

**If the engine is not running or is turned off while driving, the power assist for the steering will not work. Steering will be harder to operate.**

The power assisted steering uses a hydraulic pump, driven by the engine, to assist steering.

If the engine stops or the drive belt breaks, you will still have control of the vehicle. However, much greater steering effort is needed, especially in sharp turns and at low speeds.

## BRAKE SYSTEM

### BRAKING PRECAUTIONS

The brake system has two separate hydraulic circuits. If one circuit malfunctions, you will still have braking at two wheels.

#### Vacuum assisted brakes

The brake booster aids braking by using engine vacuum. If the engine stops, you can stop the vehicle by depressing the brake pedal. However, greater foot pressure on the brake pedal will be required to stop the vehicle and the stopping distance will be longer.

#### Using the brakes

Avoid resting your foot on the brake pedal while driving. This will cause overheating of the brakes, wearing out the brake and pads faster and reduce gas mileage.

To help reduce brake wear and to prevent the brakes from overheating, reduce speed and downshift to a lower gear before going down a slope or long grade. Overheated brakes may reduce braking performance and could result in loss of vehicle control.



### WARNING

- **While driving on a slippery surface, be careful when braking, accelerat-**

**ing or downshifting. Abrupt braking or accelerating could cause the wheels to skid and result in an accident.**

- **If the engine is not running or is turned off while driving, the power assist for the brakes will not work. Braking will be harder.**

#### Wet brakes

When the vehicle is washed or driven through water, the brakes may get wet. As a result, your braking distance will be longer and the vehicle may pull to one side during braking.

To dry brakes, drive the vehicle at a safe speed while lightly tapping the brake pedal to heat-up the brakes. Do this until the brakes return to normal. Avoid driving the vehicle at high speeds until the brakes function correctly.

#### PARKING BRAKE BREAK-IN

Break in the parking brake shoes whenever the stopping effect of the parking brake is weakened or whenever the parking brake shoes and/or drums/rotors are replaced, in order to assure the best braking performance.

This procedure is described in the vehicle service manual and can be performed by a NISSAN dealer.

## ANTI-LOCK BRAKING SYSTEM (ABS)



### WARNING

- The Anti-lock Braking System (ABS) is a sophisticated device, but it cannot prevent accidents resulting from careless or dangerous driving techniques. It can help maintain vehicle control during braking on slippery surfaces. Remember that stopping distances on slippery surfaces will be longer than on normal surfaces even with ABS. Stopping distances may also be longer on rough, gravel or snow covered roads, or if you are using tire chains. Always maintain a safe distance from the vehicle in front of you. Ultimately, the driver is responsible for safety.
- Tire type and condition may also affect braking effectiveness.
  - When replacing tires, install the specified size of tires on all four wheels.
  - When installing a spare tire, make sure that it is the proper size and type as specified on the

**Tire and Loading Information label.** See “Tire and Loading Information label” in the “9. Technical and consumer information” section of this manual.

- For detailed information, see “Wheels and tires” in the “8. Maintenance and do-it-yourself” section of this manual.

The Anti-lock Braking System (ABS) controls the brakes so the wheels do not lock during hard braking or when braking on slippery surfaces. The system detects the rotation speed at each wheel and varies the brake fluid pressure to prevent each wheel from locking and sliding. By preventing each wheel from locking, the system helps the driver maintain steering control and helps to minimize swerving and spinning on slippery surfaces.

### Using the system

Depress the brake pedal and hold it down. Depress the brake pedal with firm steady pressure, but do not pump the brakes. The ABS will operate to prevent the wheels from locking up. Steer the vehicle to avoid obstacles.



### WARNING

**Do not pump the brake pedal. Doing so may result in increased stopping distances.**

### Self-test feature

The ABS includes electronic sensors, electric pumps, hydraulic solenoids and a computer. The computer has a built-in diagnostic feature that tests the system each time you start the engine and move the vehicle at a low speed in forward or reverse. When the self-test occurs, you may hear a “clunk” noise and/or feel a pulsation in the brake pedal. This is normal and does not indicate a malfunction. If the computer senses a malfunction, it switches the ABS off and illuminates the ABS warning light on the instrument panel. The brake system then operates normally, but without anti-lock assistance.

If the ABS warning light illuminates during the self-test or while driving, have the vehicle checked by a NISSAN dealer.

## VEHICLE DYNAMIC CONTROL (VDC) SYSTEM

### Normal operation


The ABS operates at speeds above 3 to 6 MPH (5 to 10 km/h). The speed varies according to road conditions.

When the ABS senses that one or more wheels are close to locking up, the actuator rapidly applies and releases hydraulic pressure. This action is similar to pumping the brakes very quickly. You may feel a pulsation in the brake pedal and hear a noise from under the hood or feel a vibration from the actuator when it is operating. This is normal and indicates that the ABS is operating properly. However, the pulsation may indicate that road conditions are hazardous and extra care is required while driving.

The Vehicle Dynamic Control (VDC) system uses various sensors to monitor driver inputs and vehicle motion. Under certain driving conditions, the VDC system helps to perform the following functions.

- Controls brake pressure to reduce wheel slip on one slipping drive wheel so power is transferred to a non slipping drive wheel on the same axle.
- Controls brake pressure and engine output to reduce drive wheel slip based on vehicle speed (traction control function).
- Controls brake pressure at individual wheels and engine output to help the driver maintain control of the vehicle in the following conditions:
  - understeer (vehicle tends to not follow the steered path despite increased steering input)
  - oversteer (vehicle tends to spin due to certain road or driving conditions).

The VDC system can help the driver to maintain control of the vehicle, but it cannot prevent loss of vehicle control in all driving situations.


When the VDC system operates, the  warning light in the instrument panel flashes so note the following:




- The road may be slippery or the system may determine some action is required to help

keep the vehicle on the steered path.

- You may feel a pulsation in the brake pedal and hear a noise or vibration from under the hood. This is normal and indicates that the VDC system is working properly.
- Adjust your speed and driving to the road conditions.

See “Vehicle dynamic control (VDC) warning light” in the “2. Instruments and controls” section and “Vehicle Dynamic Control (VDC) off indicator light” in the “2. Instruments and controls” section.

If a malfunction occurs in the system, the  warning light comes on in the instrument panel. The VDC system automatically turns off when the warning light is on.


The VDC OFF switch is used to turn off the VDC system. The VDC off indicator  illuminates to indicate the VDC system is off. When the VDC switch is used to turn off the system, the VDC system still operates to prevent one drive wheel from slipping by transferring power to a non slipping drive wheel. The  warning light flashes if this occurs. All other VDC functions are off and the  warning light will not flash. The VDC system is automatically reset to on when the ignition switch is placed in the OFF position then back to the ON position.

The computer has a built-in diagnostic feature






that tests the system each time you start the engine and move the vehicle forward or in reverse at a slow speed. When the self-test occurs, you may hear a “clunk” noise and/or feel a pulsation in the brake pedal. This is normal and is not an indication of a malfunction.



## WARNING

- The VDC system is designed to help the driver maintain stability but does not prevent accidents due to abrupt steering operation at high speeds or by careless or dangerous driving techniques. Reduce vehicle speed and be especially careful when driving and cornering on slippery surfaces and always drive carefully.
- Do not modify the vehicle’s suspension. If suspension parts such as shock absorbers, struts, springs, stabilizer bars, bushings and wheels are not NISSAN recommended for your vehicle or are extremely deteriorated the VDC system may not operate properly. This could adversely affect vehicle handling performance, and the  warn-

ing light may flash or illuminate.

- If brake related parts such as brake pads, rotors and calipers are not NISSAN recommended or are extremely deteriorated, the VDC system may not operate properly and the  warning light may illuminate.
- If engine control related parts are not NISSAN recommended or are extremely deteriorated, the  warning light may illuminate.
- When driving on extremely inclined surfaces such as higher banked corners, the VDC system may not operate properly and the  warning light may flash or illuminate. Do not drive on these types of roads.
- When driving on an unstable surface such as a turntable, ferry, elevator or ramp, the  warning light may flash or illuminate. This is not a malfunction. Restart the engine after driving onto a stable surface.
- If wheels or tires other than the NISSAN recommended ones are used, the VDC system may not operate properly and the  warn-

ing may flash or illuminate.

- The VDC system is not a substitute for winter tires or tire chains on a snow covered road.

## COLD WEATHER DRIVING

### FREEING A FROZEN DOOR LOCK

To prevent a door lock from freezing, apply deicer through the key hole. If the lock becomes frozen, heat the key before inserting it into the key hole or use the remote keyless entry keyfob.

### ANTI-FREEZE

In the winter when it is anticipated that the outside temperature will drop below 32°F (0°C), check the anti-freeze to assure proper winter protection. For additional information, see “Engine cooling system” in the “8. Maintenance and do-it-yourself” section.

### BATTERY

If the battery is not fully charged during extremely cold weather conditions, the battery fluid may freeze and damage the battery. To maintain maximum efficiency, the battery should be checked regularly. For additional information, see “Battery” in the “8. Maintenance and do-it-yourself” section.

### DRAINING OF COOLANT WATER

If the vehicle is to be left outside without anti-freeze, drain the cooling system, including the engine block. Refill before operating the vehicle. For details, see “Engine cooling system” in the “8. Maintenance and do-it-yourself” section.

### TIRE EQUIPMENT

SUMMER tires have a tread designed to provide superior performance on dry pavement. However, the performance of these tires will be substantially reduced in snowy and icy conditions. If you operate your vehicle on snowy or icy roads, NISSAN recommends the use of MUD & SNOW or ALL SEASON tires on all four wheels. Consult a NISSAN dealer for the tire type, size, speed rating and availability information.

For additional traction on icy roads, studded tires may be used. However, some U.S. states and Canadian provinces prohibit their use. Check local, state and provincial laws before installing studded tires.

**Skid and traction capabilities of studded snow tires, on wet or dry surfaces, may be poorer than that of non-studded snow tires.**

Tire chains may be used. For details, see “Tire chains” in the “8. Maintenance and do-it-yourself” section of this manual.

### All-Wheel Drive (AWD) model

If you install snow tires, they must also be the same size, brand, construction and tread pattern on all four wheels.

### SPECIAL WINTER EQUIPMENT

It is recommended that the following items be carried in the vehicle during winter:

- A scraper and stiff-bristled brush to remove ice and snow from the windows and wiper blades.
- A sturdy, flat board to be placed under the jack to give it firm support.
- A shovel to dig the vehicle out of snow-drifts.
- Extra window washer fluid to refill the reservoir tank.

### DRIVING ON SNOW OR ICE



### WARNING

- **Wet ice (32°F, 0°C and freezing rain), very cold snow or ice can be slick and very hard to drive on. The vehicle will have much less traction or “grip” under these conditions. Try to avoid driving on wet ice until the road is salted or sanded.**
- **Whatever the condition, drive with caution. Accelerate and slow down with care. If accelerating or downshifting too fast, the drive wheels will lose even more traction.**

- **Allow more stopping distance under these conditions. Braking should be started sooner than on dry pavement.**
- **Allow greater following distances on slippery roads.**
- **Watch for slippery spots (glare ice). These may appear on an otherwise clear road in shaded areas. If a patch of ice is seen ahead, brake before reaching it. Try not to brake while on the ice, and avoid any sudden steering maneuvers.**
- **Do not use cruise control on slippery roads.**
- **Snow can trap dangerous exhaust gases under your vehicle. Keep snow clear of the exhaust pipe and from around your vehicle.**

### ENGINE BLOCK HEATER (if so equipped)

Engine block heaters are used to assist with cold temperature starting.

The engine block heater should be used when the outside temperature is 20°F (-7°C) or lower.

To use the engine block heater

1. Turn the engine off.
2. Open the hood and unwrap the engine block heater cord.
3. Plug the engine block heater cord into a grounded 3-wire, 3-pronged extension cord.
4. Plug the extension cord into a Ground Fault Interrupt (GFI) protected, grounded 110-volt AC (VAC) outlet.
5. The engine block heater must be plugged in for at least 2 - 4 hours, depending on outside temperatures, to properly warm the engine coolant. Use an appropriate timer to turn the engine block heater on.
6. Before starting the engine, unplug and properly store the cord to keep it away from moving parts.



### WARNING

- **Do not use your engine block heater with an ungrounded electrical system or a 2-pronged adapter. You can be seriously injured by an electrical shock if you use an ungrounded connection.**
- **Disconnect and properly store the engine block heater cord before starting the engine. Damage to the cord could result in an electrical shock and can cause serious injury.**
- **Use a heavy-duty 3-wire, 3-pronged extension cord rated for at least 10A. Plug the extension cord into a Ground Fault Interrupt (GFI) protected, grounded 110-VAC outlet. Failure to use the proper extension cord or a grounded outlet can result in a fire or electrical shock and cause serious personal injury.**

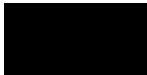
**MEMO**



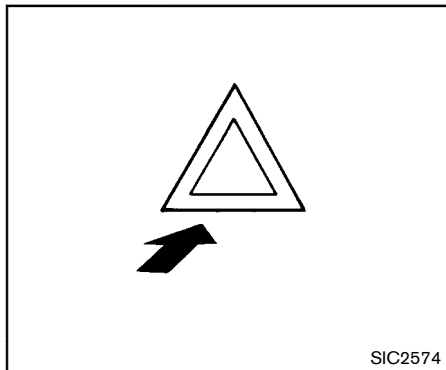
**MEMO**

# 6 In case of emergency

|   |      |  |      |
|---|------|--|------|
| Hazard warning flasher switch .....               | 6-2  | Jump starting .....                              | 6-15 |
| Emergency engine shut off .....                   | 6-2  | Push starting .....                              | 6-17 |
| Flat tire .....                                   | 6-3  | If your vehicle overheats .....                  | 6-17 |
| Tire Pressure Monitoring System (TPMS) .....      | 6-3  | Towing your vehicle .....                        | 6-19 |
| Changing a flat tire (Hardtop models) .....       | 6-4  | Towing recommended by NISSAN .....               | 6-20 |
| Repairing flat tire (CrossCabriolet models) ..... | 6-10 | Vehicle recovery (freeing a stuck vehicle) ..... | 6-22 |



## HAZARD WARNING FLASHER SWITCH



Push the switch on to warn other drivers when you must stop or park under emergency conditions. All turn signal lights will flash.



### WARNING

- **If stopping for an emergency, be sure to move the vehicle well off the road.**
- **Do not use the hazard warning flashers while moving on the highway unless unusual circumstances force you to drive so slowly that your vehicle might become a hazard**

**to other traffic.**

- **Turn signals do not work when the hazard warning flasher lights are on.**

The flasher can be actuated with the ignition switch in any position.

**Some state laws may prohibit the use of the hazard warning flasher switch while driving.**

## EMERGENCY ENGINE SHUT OFF

To shut off the engine in an emergency situation while driving perform the following procedure:

- Rapidly push the push-button ignition switch 3 consecutive times in less than 1.5 seconds, or
- Push and hold the push-button ignition switch for more than 2 seconds.

## FLAT TIRE

### TIRE PRESSURE MONITORING SYSTEM (TPMS)

This vehicle is equipped with the Tire Pressure Monitoring System (TPMS). It monitors tire pressure of all tires except the spare. When the low tire pressure warning light is lit and the CHECK TIRE PRESSURE warning appears on the dot matrix liquid crystal display, one or more of your tires is significantly under-inflated. If the vehicle is being driven with low tire pressure, the TPMS will activate and warn you of it by the low tire pressure warning light. This system will activate only when the vehicle is driven at speeds above 16 MPH (25 km/h). For more details, see "Warning/indicator lights and audible reminders" in the "2. Instruments and controls" section and "Tire Pressure Monitoring System (TPMS)" in the "5. Starting and driving" section.



### WARNING

- If the low tire pressure warning light illuminates while driving, avoid sudden steering maneuvers or abrupt braking, reduce vehicle speed, pull off the road to a safe location and stop the vehicle as soon as possible. Driving with under-inflated tires

may permanently damage the tires and increase the likelihood of tire failure. Serious vehicle damage could occur and may lead to an accident and could result in serious personal injury. Check the tire pressure for all four tires. Adjust the tire pressure to the recommended COLD tire pressure shown on the Tire and Loading Information label to turn the low tire pressure warning light OFF. If the light still illuminates while driving after adjusting the tire pressure, a tire may be flat. If you have a flat tire, replace it with a spare tire as soon as possible.

- When a spare tire is mounted or a wheel is replaced, the TPMS will not function and the low tire pressure warning light will flash for approximately 1 minute. The light will remain on after 1 minute. Contact your NISSAN dealer as soon as possible for tire replacement and/or system resetting.
- Replacing tires with those not originally specified by NISSAN could affect the proper operation of the TPMS.

- Do not inject any tire liquid or aerosol tire sealant into the tires, as this may cause a malfunction of the tire pressure sensors (for models not equipped with the emergency tire puncture repair kit).
- If you used the Emergency Tire Sealant to repair a minor tire puncture, your NISSAN dealer will also need to replace the TPMS sensor in addition to repairing or replacing the tire (for models equipped with the emergency tire puncture repair kit).
- NISSAN recommends using only NISSAN Genuine Emergency Tire Sealant provided with your vehicle. Other tire sealants may damage the valve stem seal which can cause the tire to lose air pressure (for models equipped with the emergency tire puncture repair kit).

## CHANGING A FLAT TIRE (Hardtop models)

If you have a flat tire, follow the instructions below.

### Stopping the vehicle

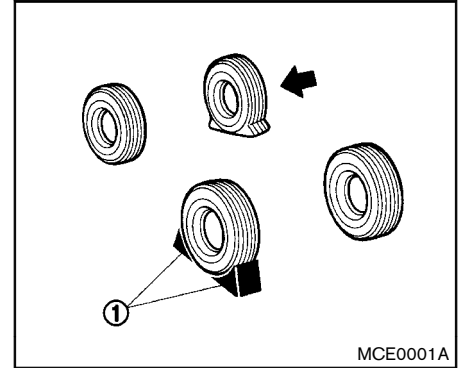
1. Safely move the vehicle off the road and away from traffic.
2. Turn on the hazard warning flashers.
3. Park on a level surface and apply the parking brake. Move the shift lever to the P (Park) position.
4. Turn off the engine.
5. Raise the hood to warn other traffic, and to signal professional road assistance personnel that you need assistance.
6. Have all passengers get out of the vehicle and stand in a safe place, away from traffic and clear of the vehicle.



### WARNING

- **Make sure the parking brake is securely applied and the transmission is shifted into the P (Park) position.**

- **Never change tires when the vehicle is on a slope, ice or slippery areas. This is hazardous.**
- **Never change tires if oncoming traffic is close to your vehicle. Wait for professional road assistance.**



MCE0001A

### Blocking wheels

Place suitable blocks ① at both the front and back of the wheel diagonally opposite the flat tire to prevent the vehicle from moving when it is jacked up.

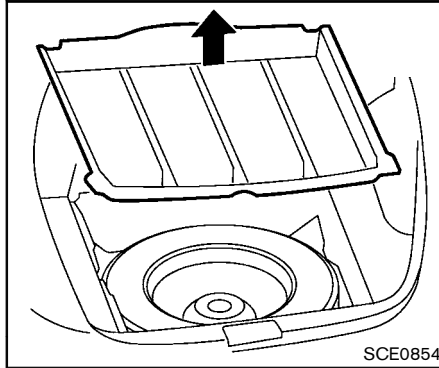


### WARNING

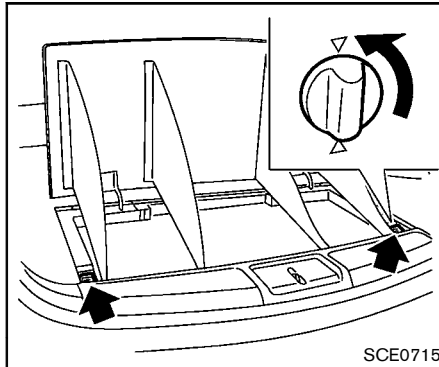
**Be sure to block the wheel as the vehicle may move and result in personal injury.**

### Getting the spare tire and tools

1. Open the lift gate.
2. Remove the cargo cover (if so equipped). (See "Cargo cover (if so equipped for Hardtop models)" in the "2. Instruments and controls" section.)
3. Open the cargo floor board.  
(See "Cargo floor box (if so equipped for Hardtop models)" in the "2. Instruments and controls" section.)

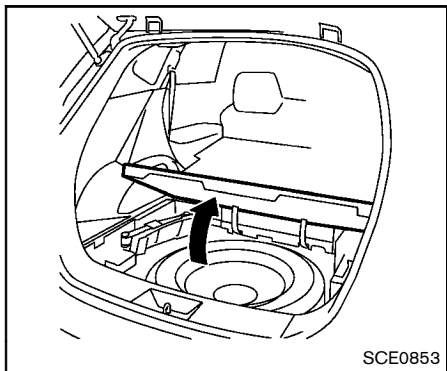


**Type A**



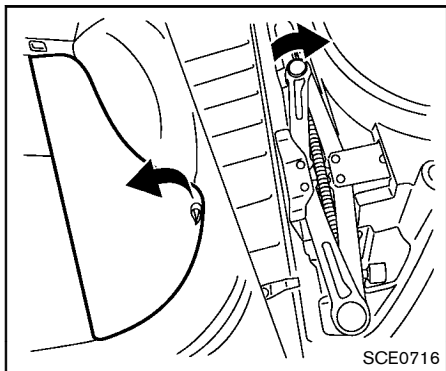
**Type B**

4. Type A:  
Remove the cargo floor board.  
Type B:  
Turn the clips counterclockwise and remove the cargo floor box.



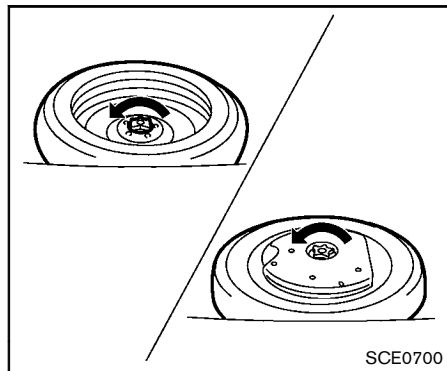
**Type B**

5. Type B:  
Open the cargo floor board.



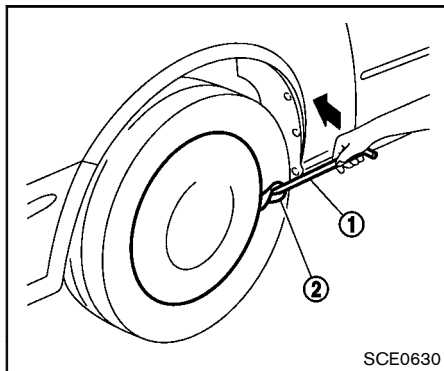
**Jacking tools**

6. Remove the jacking tools and the spare tire.  
Jacking tools: Remove the jack by turning it, then remove the other tools.



**Spare tire (if so equipped)**

- Spare tire: Turn the clamp to remove the tire.



Removing wheel cover (if so equipped)

**! WARNING**

**Never use your hands to remove the wheel cover. This may cause personal injury.**

To remove the wheel cover, use the jack rod ① as illustrated.

Apply cloth ② between the wheel and jack rod to prevent damaging the wheel and wheel cover.

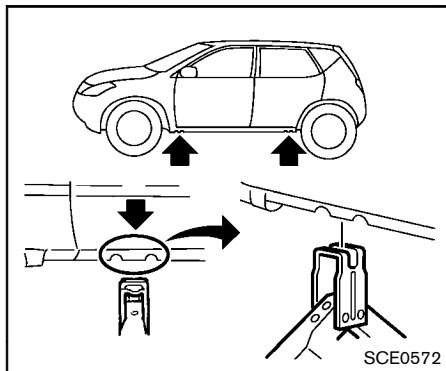
Jacking up the vehicle and removing the damaged tire

**! WARNING**

- **Never get under the vehicle while it is supported only by the jack. If it is necessary to work under the vehicle, support it with safety stands.**
- **Use only the jack provided with your vehicle to lift the vehicle. Do not use the jack provided with your vehicle on other vehicles. The jack is designed for lifting only your vehicle during a tire change.**
- **Use the correct jack-up points. Never use any other part of the vehicle for jack support.**
- **Never jack up the vehicle more than necessary.**
- **Never use blocks on or under the jack.**
- **Do not start or run the engine while vehicle is on the jack, as it may cause the vehicle to move.**
- **Do not allow passengers to stay in the vehicle while it is on the jack.**

**Carefully read the caution label attached to the jack body and the following instructions.**

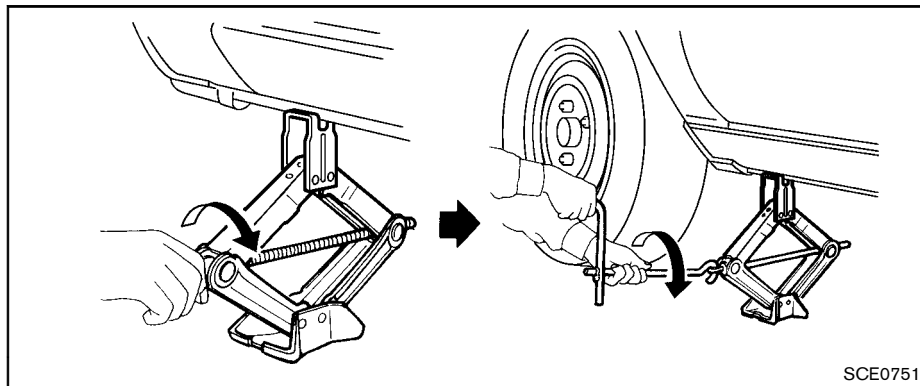




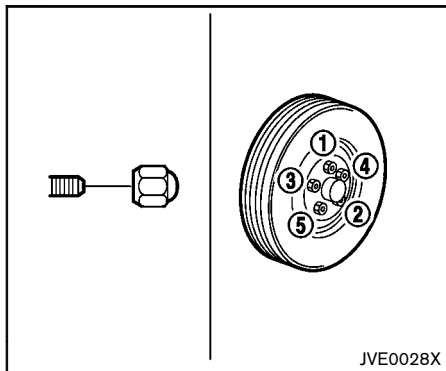
Jack-up point

1. Place the jack directly under the jack-up point as illustrated so the top of the jack contacts the vehicle at the jack-up point. Align the jack head between the two notches in the front or the rear as shown. Also fit the groove of the jack head between the notches as shown.

**The jack should be used on level firm ground.**



2. Loosen each wheel nut one or two turns by turning counterclockwise with the wheel nut wrench. **Do not remove the wheel nuts until the tire is off the ground.**
3. To lift the vehicle, securely hold the jack lever and rod with both hands as shown above. Carefully raise the vehicle until the tire clears the ground. Remove the wheel nuts, and then remove the tire.



### Installing the spare tire

**The spare tire is designed for emergency use. (See specific instructions under the heading “Wheels and tires” in the “8. Maintenance and do-it-yourself” section.)**

1. Clean any mud or dirt from the surface between the wheel and hub.
2. Carefully put the spare tire on and tighten the wheel nuts finger tight. Check that all the wheel nuts contact the wheel surface horizontally.
3. With the wheel nut wrench, tighten wheel nuts alternately and evenly in the sequence as illustrated (1, 2, 3, 4, 5), more

than 2 times, until they are tight.

4. Lower the vehicle slowly until the tire touches the ground. Then, with the wheel nut wrench, tighten the wheel nuts securely in the sequence as illustrated. Lower the vehicle completely.



### WARNING

- **Incorrect wheel nuts or improperly tightened wheel nuts can cause the wheel to become loose or come off. This could cause an accident.**
- **Do not use oil or grease on the wheel studs or nuts. This could cause the nuts to become loose.**
- **Retighten the wheel nuts when the vehicle has been driven for 600 miles (1,000 km) (also in cases of a flat tire, etc.).**
- **As soon as possible, tighten the wheel nuts to the specified torque with a torque wrench.**

**Wheel nut tightening torque:  
80 ft-lb (108 N·m)**

**The wheel nuts must be kept tightened to specification at all times. It**

**is recommended that wheel nuts be tightened to specifications at each lubrication interval.**

- **Adjust tire pressure to the COLD pressure.**

**COLD pressure:**

**After the vehicle has been parked for three hours or more or driven less than 1 mile (1.6 km).**

**COLD tire pressures are shown on the Tire and Loading Information label affixed to the driver side center pillar.**

Stowing the damaged tire and the tools

1. Securely store the damaged tire, jack and tools in the storage area.
2. Replace the cargo box.
3. Close the cargo floor board.
4. Close the lift gate.



### WARNING

- **Always make sure that the spare tire and jacking equipment are properly secured after use. Such items can become dangerous projectiles in an**

accident or sudden stop.

- The T-type spare tire and small size spare tire are designed for emergency use. See specific instructions under the heading “Wheels and tires” in the “8. Maintenance and do-it-yourself” section.

REPAIRING FLAT TIRE (CrossCabriolet models)



## WARNING

- After using Emergency Tire Sealant to repair a minor tire puncture, do not drive the vehicle at speeds faster than 50 MPH (80 km/h).
- Immediately after using the Emergency Tire Sealant to repair a minor tire puncture, take your vehicle to a NISSAN dealer to inspect, and repair or replace the tire. The Emergency Tire Sealant cannot permanently seal a punctured tire. Continuing operation of the vehicle without a permanent tire repair can lead to a crash.

- If you used the Emergency Tire Sealant to repair a minor tire puncture, your NISSAN dealer will also need to replace the TPMS sensor in addition to repairing or replacing the tire.
- NISSAN recommends using only NISSAN Genuine Emergency Tire Sealant provided with your vehicle. Other tire sealants may damage the valve stem seal which can cause the tire to lose air pressure.

This vehicle does not have a spare tire. The emergency tire puncture repair kit (Emergency Tire Sealant) is supplied with the vehicle instead of a spare tire. It can be used to temporarily repair minor tire punctures.

If possible, have the vehicle towed to a facility that can repair or replace the flat tire. Using the emergency tire puncture repair kit may cause a malfunction of the tire pressure sensor and cause the low tire pressure warning light to illuminate.

If you have a flat tire, follow the instructions below.



## CAUTION

- To avoid the emergency tire puncture kit being damaged during storage or use:
  - Only use the emergency tire puncture repair kit on your vehicle. Do not use it on other vehicles.
  - Only use the kit to inflate the tires of your vehicle and to check the vehicle's tire pressure.
  - Only plug the compressor into a 12V DC car power point.
  - Keep the kit free of water and dirt.
  - Do not disassemble or modify the kit.
  - Do not drop the kit or allow hard impacts to the kit.
- Do not use the emergency tire puncture repair kit under the following conditions. Contact a NISSAN dealer or professional road assistance.

- when the sealant has passed its expiration date (shown on the label attached to the bottle)
- when the cut or the puncture is approximately 0.25 in (6 mm) or longer
- when the tire sidewall is damaged
- when the vehicle has been driven with extremely low tire pressure
- when the tire has come off the inside or the outside of the wheel.
- when the tire wheel is damaged
- when two or more tires are flat

#### Stopping the vehicle

1. Safely move the vehicle off the road and away from traffic.
2. Turn on the hazard warning flashers.
3. Park on a level surface and apply the parking brake.
4. Move the shift lever to the P (Park) position.

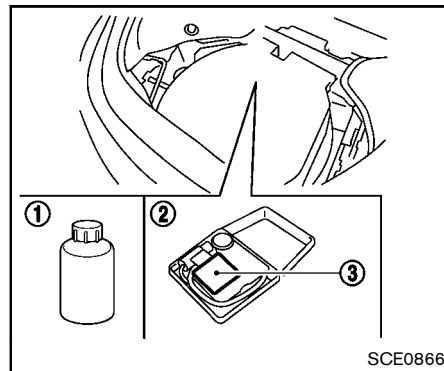
5. Turn off the engine.
6. Raise the hood to warn other traffic and to signal professional road assistance personnel that you need assistance.
7. Have all passengers get out of the vehicle and stand in a safe place, away from traffic and clear of the vehicle.



#### WARNING

**Make sure the parking brake is securely applied and the automatic transmission into P (Park).**

- **Never repair tires when the vehicle is on a slope, ice or slippery areas. This is hazardous.**
- **Never repair tires if oncoming traffic is close to your vehicle. Wait for professional road assistance.**



SCE0866

#### Getting emergency tire puncture repair kit

Take out the emergency tire puncture repair kit located in the trunk. The repair kit consists of the following items:

- ① Tire sealant bottle
- ② Air compressor
- ③ Speed restriction sticker

Before using emergency tire puncture repair kit

- If any foreign object (for example, a screw or nail) is embedded in the tire, do not remove it.
- Check the expiration date of the sealant (shown on the label attached to the bottle). Never use a sealant whose expiration date has passed.

Repairing tire



## WARNING

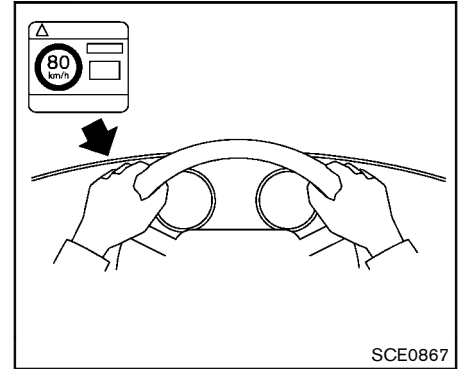
Observe the following precautions when using the tire repair compound.

- **Swallowing the compound is dangerous. Immediately drink as much water as possible and seek prompt medical assistance.**
- **Rinse well with lots of water if the compound comes into contact with skin or eyes. If irritation persists, seek prompt medical attention.**
- **Keep the repair compound out of the reach of children.**
- **The emergency repair compound may cause a malfunction of the tire**

**pressure sensors and cause the low tire pressure warning light to illuminate. Have the tire pressure sensor replaced as soon as possible.**

### NOTE:

**Do not remove any nails or screws that have penetrated the tire when performing repairs.**

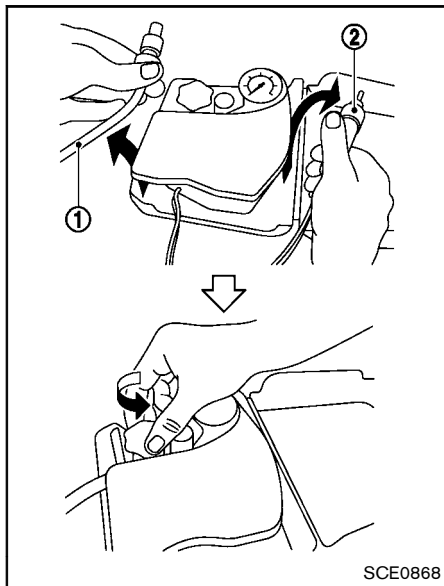


1. Open the lid of the air compressor and take out the speed restriction sticker, then put it in a location where the driver can see it while driving.

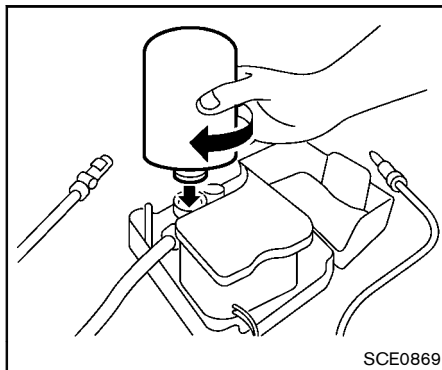


## CAUTION

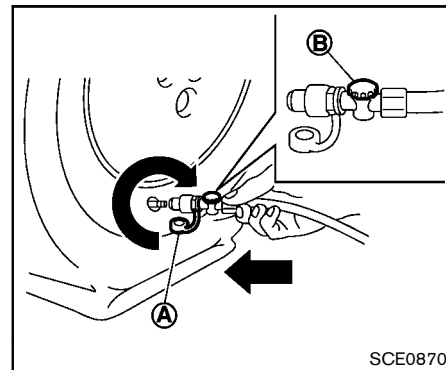
**Do not put the speed restriction label on the steering wheel pad, the speedometer or the warning light locations.**



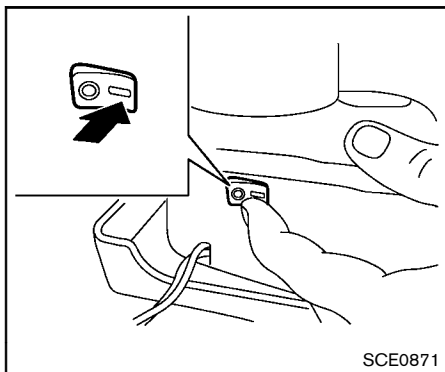
2. Take the hose ① and the power plug ② out of the air compressor. Remove the cap of the bottle holder from the air compressor.



3. Remove the cap from the tire sealant bottle, and screw the bottle clockwise onto the bottle holder. (Leave the bottle seal intact. Screwing the bottle onto the bottle holder will pierce the seal of the bottle.)
4. Remove the cap from the tire valve on the flat tire.



5. Remove the protective cap ① of the hose and screw the hose securely onto the tire valve. Make sure that the pressure release valve ② is securely tightened. Make sure that the air compressor switch is in the OFF (O) position, and then insert its power plug into the power outlet in the vehicle.



6. Push the ignition switch to the "ACC" position. Then turn the compressor switch to the ON (-) position and inflate the tire up to the pressure that is specified on the tire and loading information label affixed to the driver's side center pillar if possible, or to the minimum of 180 kPa (26 psi). Turn the air compressor off briefly in order to check the tire pressure with the pressure gauge.

If the tire is inflated to higher than the specified pressure, lower the tire pressure by releasing air with the pressure release valve.

**NOTE:**

The compressor tire pressure gauge may show a pressure reading of 87 psi (600 kPa) for about 30 seconds while inflating the tire. The pressure gauge is indicating the pressure inside the sealant can. When the sealant has been injected into the tire the pressure gauge will drop and indicate actual tire pressure.

**WARNING**

- To avoid serious personal injury while using the emergency tire puncture repair kit:
  - Securely tighten the compressor hose to the tire valve. Failure to do so can cause the sealant to spray into the air and get into your eyes or on the skin.
- Do not stand directly beside the damaged tire while it is being inflated because of the risk of the rupture. If there are any cracks or bumps, turn the compressor off immediately.

If the tire pressure does not increase to **180**

**kPa (26 psi) within 10 minutes**, the tire may be seriously damaged and **the tire cannot be repaired with this tire repair kit**. Contact a NISSAN dealer.

7. When the tire pressure is at the specified amount, turn the air compressor off. If the pressure cannot be inflated to the specified amount, the air compressor can be turned off at the minimum of 180 kPa (26 psi). Remove the power plug from the power outlet and quickly remove the hose from the tire valve. Attach the protective cap and valve cap. Properly stow the emergency tire puncture repair kit in the trunk.

**CAUTION**

To avoid serious personal injury when stowing the emergency tire puncture repair kit:

- Keep the sealant bottle screwed into the compressor. Failure to do so can cause the sealant to spray into the air and get into your eyes or on the skin.
8. Immediately drive the vehicle for 10 minutes or 3 km (2 miles) at a speed of 80 km/h (50 MPH) or less.

9. After driving, make sure that the air compressor switch is in the OFF position, then screw the hose securely onto the tire valve. Check the tire pressure with the pressure gauge. The temporary repair is completed if the tire pressure does not drop.

Make sure the pressure is adjusted to the pressure that is specified on the tire and loading information label before driving.

10. If the tire pressure drops, repeat the steps from 5 to 9. If the pressure drops again or under 130 kPa (19 psi), **the tire cannot be repaired with this tire repair kit.** Contact a NISSAN dealer.

The sealant bottle and hose can not be reused to repair another punctured tire. Contact a NISSAN dealer to purchase replacements.

#### After repairing tire

See a NISSAN dealer for tire repair/replacement as soon as possible.



### WARNING

- After using Emergency Tire Sealant to repair a minor tire puncture, do not drive the vehicle at speeds faster than 50 MPH (80 km/h).

- Immediately after using Emergency Tire Sealant to repair a minor tire puncture, take your vehicle to a NISSAN dealer to inspect, and repair or replace the tire. The Emergency Tire Sealant cannot permanently seal a punctured tire. Continuing operation of the vehicle without a permanent tire repair can lead to a crash.
- If you used Emergency Tire Sealant to repair a minor tire puncture, your NISSAN dealer will also need to replace the TPMS sensor in addition to repairing or replacing the tire.
- NISSAN recommends using only NISSAN Genuine Emergency Tire Sealant provided with your vehicle. Other tire sealants may damage the valve stem seal which can cause the tire to lose air pressure.

## JUMP STARTING

To start your engine with a booster battery, the instructions and precautions below must be followed.

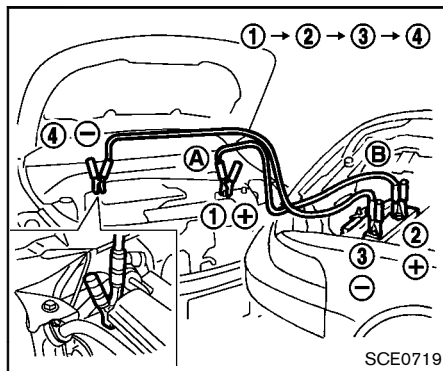


### WARNING

- If done incorrectly, jump starting can lead to a battery explosion, resulting in severe injury or death. It could also damage your vehicle.
- Explosive hydrogen gas is always present in the vicinity of the battery. Keep all sparks and flames away from the battery.
- Do not allow battery fluid to come into contact with eyes, skin, clothing or painted surfaces. Battery fluid is a corrosive sulfuric acid solution which can cause severe burns. If the fluid should come into contact with anything, immediately flush the contacted area with water.
- Keep the battery out of the reach of children.
- The booster battery must be rated at 12 volts. Use of an improperly rated battery can damage your vehicle.



- Whenever working on or near a battery, always wear suitable eye protectors (for example, goggles or industrial safety spectacles) and remove rings, metal bands, or any other jewelry. Do not lean over the battery when jump starting.
- Do not attempt to jump start a frozen battery. It could explode and cause serious injury.
- Your vehicle has an automatic engine cooling fan. It could come on at any time. Keep hands and other objects away from it.



### WARNING

Always follow the instructions below. Failure to do so could result in damage to the charging system and cause personal injury.

1. If the booster battery is in another vehicle (B), position the two vehicles (A and B) to bring their batteries into close proximity to each other.

**Do not allow the two vehicles to touch.**

2. Apply the parking brake. Move the shift lever to the P (Park) position. Switch off all unnecessary electrical systems (lights, heater, air conditioner, etc.).
3. Remove vent caps on the battery (if so equipped). Cover the battery with a firmly wrung out moist cloth to reduce explosion hazard.
4. Connect jumper cables in the sequence as illustrated (1 → 2 → 3 → 4).

**If the battery is discharged, the ignition switch cannot be moved from the OFF position. Connect the jumper cables to the booster vehicle (B) before pushing the ignition switch.**

### CAUTION

- Always connect positive (+) to positive (+) and negative (-) to body ground (for example, as illustrated), not to the battery.
- Make sure the jumper cables do not touch moving parts in the engine compartment and that the cable clamps do not contact any other metal.

5. Start the engine of the booster vehicle (B) and let it run for a few minutes.
6. Keep the engine speed of the booster vehicle (B) at about 2,000 rpm, and start the engine of the vehicle (A) being jump started.



## CAUTION

**Do not keep the starter motor engaged for more than 10 seconds. If the engine does not start right away, place the ignition switch in the OFF position and wait 10 seconds before trying again.**

7. After starting your engine, carefully disconnect the negative cable and then the positive cable ((4) → (3) → (2) → (1)).
8. Replace the vent caps (if so equipped). Be sure to dispose of the cloth used to cover the vent holes as it may be contaminated with corrosive acid.

## PUSH STARTING

Do not attempt to start the engine by pushing.



## CAUTION

**Continuously Variable Transmission (CVT) models cannot be push-started or tow-started. Attempting to do so may cause transmission damage.**

## IF YOUR VEHICLE OVERHEATS



## CAUTION

- **Do not continue to drive if your vehicle overheats. Doing so could cause engine damage or a vehicle fire.**
- **To avoid the danger of being scalded, never remove the radiator cap while the engine is still hot. When the radiator cap is removed, pressurized hot water will spurt out, possibly causing serious injury.**
- **Do not open the hood if steam is coming out.**

If your vehicle is overheating (indicated by an extremely high temperature gauge reading), or if you feel a lack of engine power, detect abnormal noise, etc., take the following steps:

1. Move the vehicle safely off the road, apply the parking brake and move the shift lever to the P (Park) position.

### **Do not stop the engine.**

2. Turn off the air conditioner. Open all the windows, move the heater or air conditioner temperature control to maximum hot and fan control to high speed.

3. Get out of the vehicle. Look and listen for steam or coolant escaping from the radiator before opening the hood. (If steam or coolant is escaping, turn off the engine.) Do not open the hood further until no steam or coolant can be seen.
4. Open the engine hood.



## **WARNING**

**If steam or water is coming from the engine, stand clear to prevent getting burned.**

5. Visually check drive belts for damage or looseness. Also check if the cooling fan is running. The radiator hoses and radiator should not leak water. If coolant is leaking, the water pump belt is missing or loose, or the cooling fan does not run, stop the engine.



## **WARNING**

**Be careful not to allow your hands, hair, jewelry or clothing to come into contact with, or get caught in, engine belts or the engine cooling fan. The engine**

**cooling fan can start at any time.**

6. After the engine cools down, check the coolant level in the reservoir tank with the engine running. Add coolant to the reservoir tank if necessary. Have your vehicle repaired at a NISSAN dealer.

## TOWING YOUR VEHICLE

When towing your vehicle, all State (Provincial in Canada) and local regulations for towing must be followed. Incorrect towing equipment could damage your vehicle. Towing instructions are available from a NISSAN dealer. Local service operators are familiar with the applicable laws and procedures for towing. To assure proper towing and to prevent accidental damage to your vehicle, NISSAN recommends that you have a service operator tow your vehicle. It is advisable to have the service operator carefully read the following precautions.



### WARNING

- **Never ride in a vehicle that is being towed.**
- **Never get under your vehicle after it has been lifted by a tow truck.**

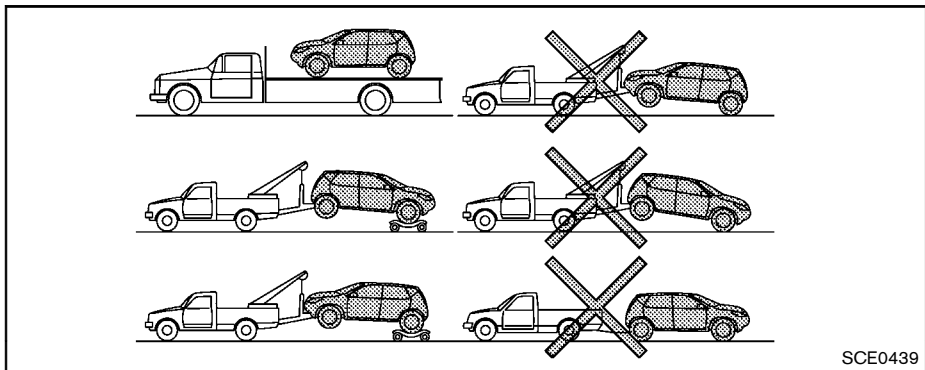


### CAUTION

- **When towing, make sure that the transmission, axles, steering system and drivetrain are in working condition. If any unit is damaged, dollies must be used.**

- **Always attach safety chains before towing.**

For information about towing your vehicle behind a recreational vehicle (RV), see “Flat towing” in the “9. Technical and consumer information” section of this manual.



All-Wheel Drive (AWD) models

## TOWING RECOMMENDED BY NISSAN

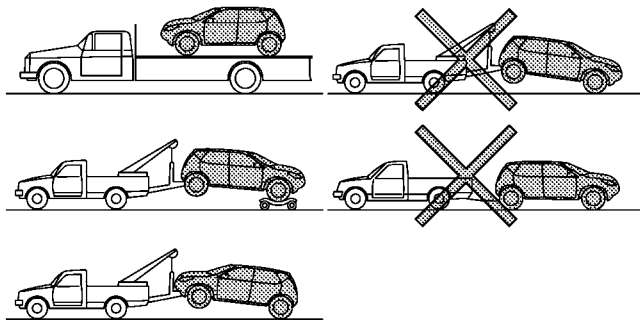
### All-Wheel Drive (AWD) models

NISSAN recommends that towing dollies be used when towing your vehicle or place the vehicle on a flatbed truck as illustrated.



## CAUTION

**Never tow AWD models with any of the wheels on the ground as this may cause serious and expensive damage to the drivetrain.**



SCE0438

**Two-Wheel Drive (2WD) models**

### Two-Wheel Drive (2WD) models

NISSAN recommends that your vehicle be towed with the driving (front) wheels off the ground or place the vehicle on a flat bed truck as illustrated.

For All-Wheel Drive (AWD) models, see “All-Wheel Drive (AWD) models” earlier in this section.



### **CAUTION**

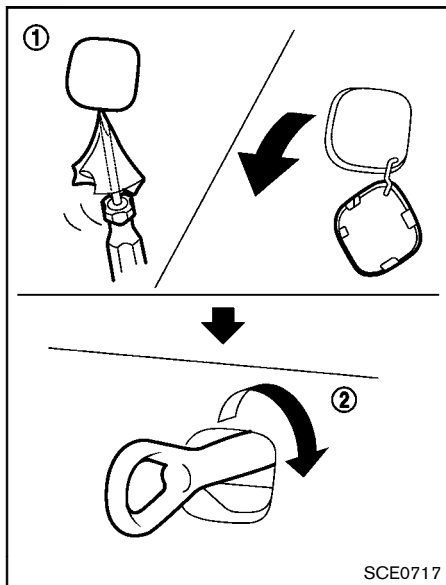
- **Never tow Continuously Variable Transmission (CVT) models with the front wheels on the ground or**

**four wheels on the ground (forward or backward), as this may cause serious and expensive damage to the drivetrain. If it is necessary to tow the vehicle with the rear wheels raised, always use towing dollies under the front wheels.**

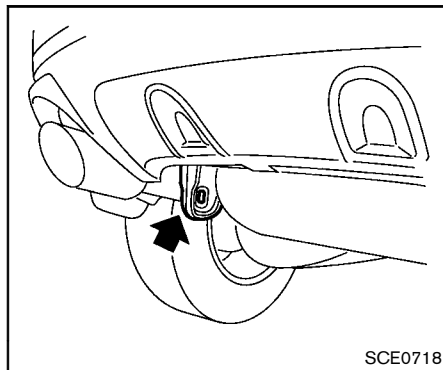
- **When towing CVT models with the front wheels on towing dollies:**
  - **Push the ignition switch to the ACC or ON position, and secure the steering wheel in a straight-ahead position with a rope or similar device.**

- **Move the shift lever to the N (Neutral) position.**

- **When towing a CVT model with the rear wheels on the ground (if you do not use towing dollies): Always release the parking brake.**



Front



Tie down and recovery hook

VEHICLE RECOVERY (freeing a stuck vehicle)

### ! WARNING

- Stand clear of a stuck vehicle.
- Do not spin your tires at high speed. This could cause them to explode and result in serious injury. Parts of your vehicle could also overheat and be damaged.

### Pulling a stuck vehicle

If your vehicle is stuck in sand, snow, mud, etc., use a tow strap or other device designed specifically for vehicle recovery. Always follow the manufacturer's instructions for the recovery device.

#### Front:

Securely install the vehicle recovery hook (stored in the cargo area) as illustrated. Make sure that the hook is properly secured in the original place after use.

### ! CAUTION

- Tow chains or cables must be attached only to the main structural members of the vehicle or the recovery hook. Otherwise, the vehicle body will be damaged.
- Never tow a vehicle using the vehicle tie downs or recovery hooks.
- Always pull the cable straight out from the front of the vehicle. Never pull on the vehicle at an angle.
- Pulling devices should be routed so they do not touch any part of the suspension, steering, brake or cooling systems.

- **Pulling devices such as ropes or canvas straps are not recommended for use in vehicle towing or recovery.**

### Rocking a stuck vehicle

If your vehicle is stuck in sand, snow, mud, etc., use the following procedure:

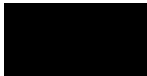
1. Turn off the Vehicle Dynamic Control (VDC) system.
2. Make sure the area in front and behind the vehicle is clear of obstructions.
3. Turn the steering wheel right and left to clear an area around the front tires.
4. Slowly rock the vehicle forward and backward.
  - Shift back and forth between R (Reverse) and D (Drive).
  - Apply the accelerator as little as possible to maintain the rocking motion.
  - Release the accelerator pedal before shifting between R and D.
  - Do not spin the tires above 35 MPH (55 km/h).
5. If the vehicle cannot be freed after a few tries, contact a professional towing service to remove the vehicle.



**MEMO**

# 7 Appearance and care

|   |     |  |     |
|---|-----|--|-----|
| Cleaning exterior .....                                     | 7-2 | Cleaning interior .....  | 7-5 |
| Washing .....   | 7-2 | Air fresheners .....   | 7-5 |
| Soft top care and cleaning<br>(CrossCabriolet models) ..... | 7-3 | Floor mats .....   | 7-5 |
| Waxing .....  | 7-3 | Seat belts .....   | 7-6 |
| Removing spots .....  | 7-3 | Corrosion protection .....                                     | 7-7 |
| Underbody .....   | 7-3 | Most common factors contributing to<br>vehicle corrosion ..... | 7-7 |
| Glass .....   | 7-3 | Environmental factors influence the rate<br>of corrosion ..... | 7-7 |
| Aluminum alloy wheels .....                                 | 7-4 | To protect your vehicle from corrosion .....                   | 7-7 |
| Chrome parts .....  | 7-4 |  |     |
| Tire dressing .....   | 7-4 |  |     |



## CLEANING EXTERIOR

In order to maintain the appearance of your vehicle, it is important to take proper care of it.

To protect the paint surface, wash your vehicle as soon as you can:

- after a rainfall to prevent possible damage from acid rain
- after driving on coastal roads
- when contaminants such as soot, bird droppings, tree sap, metal particles or bugs get on the paint surface
- when dust or mud builds up on the surface

Whenever possible, store or park your vehicle inside a garage or in a covered area.

When it is necessary to park outside, park in a shady area or protect the vehicle with a body cover.

**Be careful not to scratch the paint surface when putting on or removing the body cover.**

### WASHING

Wash dirt off the vehicle with a wet sponge and plenty of water. Clean the vehicle thoroughly using a mild soap, a special vehicle soap or general purpose dishwashing liquid mixed with clean, lukewarm (never hot) water.



### CAUTION

- **Do not use car washes that use acid in the detergent. Some car washes, especially brushless ones, use some acid for cleaning. The acid may react with some plastic vehicle components, causing them to crack. This could affect their appearance, and also could cause them not to function properly. Always check with your car wash to confirm that acid is not used.**
- **Do not wash the vehicle with strong household soap, strong chemical detergents, gasoline or solvents.**
- **Do not wash the vehicle in direct sunlight or while the vehicle body is hot, as the surface may become water-spotted.**
- **Avoid using tight-napped or rough cloths, such as washing mitts. Care must be taken when removing caked-on dirt or other foreign substances so the paint surface is not scratched or damaged.**
- **For CrossCabriolet models, observe the following:**

— **Do not use an automatic car wash or a high pressure car wash. The soft top may be damaged.**

— **Avoid applying direct water pressure, such as high pressured water from household hoses, on the lining of the soft top and vehicle body. Avoid applying continuous water on the parts around the soft top and the windows. These may cause water to leak into the inside of your vehicle.**

Rinse the vehicle again with plenty of clean water.

Inside flanges, seams and folds on the doors, hatches and hood are particularly vulnerable to the effects of road salt. Therefore, these areas must be regularly cleaned. Make sure that the drain holes in the lower edge of the door are open. Spray water under the body and in the wheel wells to loosen the dirt and wash away road salt.

Avoid leaving water spots on the paint surface by using a damp chamois to dry the vehicle.

## SOFT TOP CARE AND CLEANING (CrossCabriolet models)

Proper care and handling should be observed to maintain a good appearance of the soft top. Improper care may cause the top cloth's surface to stiffen, stain, or mat. Follow the instructions shown in this section.

It is not necessary to wash the soft top every time you wash the vehicle body, but clean the top regularly before it becomes quite dirty. Leaving the soft top dirty or soiled for a long period will cause deterioration to the quality of the top material.

Remove dust or dirt on the soft top with a soft brush or sponge, then rinse it with plenty of clean water. When the top is quite dirty, wash using a mild detergent, such as a general cleaner especially made for a cloth top or a general purpose dish-washing liquid, mixed with clean, lukewarm (never hot) water. Rinse the top again with plenty of clean water to remove all traces of soap.



### CAUTION

- **Do not use strong household soap, strong chemical detergents, gasoline or solvents.**

- **If glass cleaner gets on the soft top, immediately wash it off with clean water.**
- **Do not apply direct water pressure, such as high pressured water from household hoses, on the lining of the soft top and vehicle body, as this may cause water to leak into the inside of your vehicle.**

After cleaning, always be sure the top and its storage are completely **dry** before opening the top. Opening the top while it is wet or damp may cause interior water damage, water stains or mildew on the top.

## WAXING

Regular waxing protects the paint surface and helps retain new vehicle appearance. Polishing is recommended to remove built-up wax residue and to avoid a weathered appearance before reapplying wax.

A NISSAN dealer can assist you in choosing the proper product.

- Wax your vehicle only after a thorough washing. Follow the instructions supplied with the wax.
- Do not use a wax containing any abrasives, cutting compounds or cleaners that may

damage the vehicle finish.

Machine compound or aggressive polishing on a base coat/clear coat paint finish may dull the finish or leave swirl marks.

## REMOVING SPOTS

Remove tar and oil spots, industrial dust, insects, and tree sap as quickly as possible from the paint surface to avoid lasting damage or staining. Special cleaning products are available at a NISSAN dealer or any automotive accessory stores.

## UNDERBODY

In areas where road salt is used in winter, the underbody must be cleaned regularly. This will prevent dirt and salt from building up and causing the acceleration of corrosion on the underbody and suspension. Before the winter period and again in the spring, the underseal must be checked and, if necessary, re-treated.

## GLASS

Use glass cleaner to remove smoke and dust film from the glass surfaces. It is normal for glass to become coated with a film after the vehicle is parked in the hot sun. Glass cleaner and a soft cloth will easily remove this film.



## CAUTION

- When cleaning the inside of the windows, do not use sharp-edged tools, abrasive cleaners or chlorine-based disinfectant cleaners. They could damage the electrical conductors, radio antenna elements or rear window defroster elements.
- If glass cleaner gets on the soft top, immediately wash it off with clean water (CrossCabriolet models).

## ALUMINUM ALLOY WHEELS

Wash regularly with a sponge dampened in a mild soap solution, especially during winter months in areas where road salt is used. Salt could discolor the wheels if not removed.



## CAUTION

**Follow the directions below to avoid staining or discoloring the wheels:**

- Do not use a cleaner that uses strong acid or alkali contents to clean the wheels.

- Do not apply wheel cleaners to the wheels when they are hot. The wheel temperature should be the same as ambient temperature.
- Rinse the wheel to completely remove the cleaner within 15 minutes after the cleaner is applied.

## CHROME PARTS

Clean chrome parts regularly with a non-abrasive chrome polish to maintain the finish.

## TIRE DRESSING

NISSAN does not recommend the use of tire dressings. Tire manufacturers apply a coating to the tires to help reduce discoloration of the rubber. If a tire dressing is applied to the tires, it may react with the coating and form a compound. This compound may come off the tire while driving and stain the vehicle paint.

If you choose to use a tire dressing, take the following precautions:

- Use a water-based tire dressing. The coating on the tire dissolves more easily with an oil-based tire dressing.
- Apply a light coat of tire dressing to help prevent it from entering the tire tread/grooves (where it would be difficult to remove).

- Wipe off excess tire dressing using a dry towel. Make sure the tire dressing is completely removed from the tire tread/grooves.
- Allow the tire dressing to dry as recommended by tire dressing manufacturer.

## CLEANING INTERIOR

Occasionally remove loose dust from the interior trim, plastic parts and seats using a vacuum cleaner or soft bristled brush. Wipe the vinyl and leather surfaces with a clean, soft cloth dampened in mild soap solution, then wipe clean with a dry soft cloth.

Regular care and cleaning is required in order to maintain the appearance of the leather.

Before using any fabric protector, read the manufacturer's recommendations. Some fabric protectors contain chemicals that may stain or bleach the seat material.

Use a cloth dampened only with water, to clean the meter and gauge lens.



### WARNING

**Do not use water or acidic cleaners (hot steam cleaners) on the seat. This can damage the seat or occupant classification sensor. This can also affect the operation of the air bag system and result in serious personal injury.**



### CAUTION

- **For cleaning, use a soft cloth, dampened with water. Never use a rough cloth, alcohol, benzine, thinner or any kind of solvent or paper towel with a chemical cleaning agent. They will scratch or cause discoloration to the lens.**
- **Do not spray any liquid such as water on the meter lens. Spraying liquid may cause the system to malfunction.**
- **Small dirt particles can be abrasive and damaging to the leather surfaces and should be removed promptly. Do not use saddle soap, car waxes, polishes, oils, cleaning fluids, solvents, detergents or ammonia-based cleaners as they may damage the leather's natural finish.**
- **Only use fabric protectors approved by NISSAN.**
- **Do not use glass or plastic cleaner on meter or gauge lens covers. It may damage the lens cover.**

## AIR FRESHENERS

Most air fresheners use a solvent that could affect the vehicle interior. If you use an air freshener, take the following precautions:

- Hanging-type air fresheners can cause permanent discoloration when they contact vehicle interior surfaces. Place the air freshener in a location that allows it to hang free and not contact an interior surface.
- Liquid-type air fresheners typically clip on the ventilators. These products can cause immediate damage and discoloration when spilled on interior surfaces.

Carefully read and follow the manufacturer's instructions before using air fresheners.

## FLOOR MATS



### WARNING

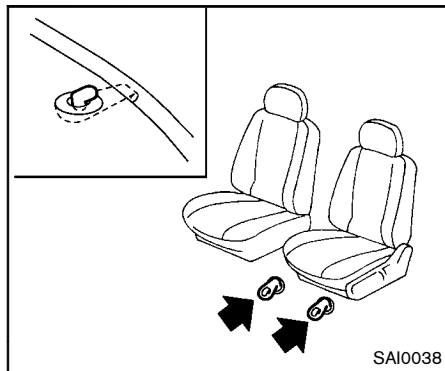
**To avoid potential pedal interference that may result in a collision or injury:**

- **NEVER place a floor mat on top of another floor mat in the driver front position.**
- **Use only genuine NISSAN floor mats specifically designed for use in your vehicle model. See your NISSAN dealer for more informa-**

tion.

- **Properly position the mats in the floorwell using the floor mat positioning aid. See “Floor mat positioning aid” later in this section.**

The use of genuine NISSAN floor mats can extend the life of your vehicle carpet and make it easier to clean the interior. Mats should be maintained with regular cleaning and replaced if they become excessively worn.



#### Floor mat positioning aid

This model includes front floor mat brackets to act as floor mat positioning aid. NISSAN floor mats have been specially designed for your vehicle model. The front floor mats have grommet holes in them. To install, simply position the mat by placing the floor mat bracket through the floor mat grommet hole while centering the mat in the floorwell.

Periodically check to make certain that the mats are properly positioned.

#### SEAT BELTS

The seat belts can be cleaned by wiping them with a sponge dampened in a mild soap solution. Allow the belts to dry completely before using them.

See “Seat belts” in the “1. Safety — Seats, seat belts and supplemental restraint system” section.



#### WARNING

**Do not allow wet seat belts to roll up in the retractor. NEVER use bleach, dye, or chemical solvents to clean the seat belts, since these materials may severely weaken the seat belt webbing.**

## CORROSION PROTECTION

### MOST COMMON FACTORS CONTRIBUTING TO VEHICLE CORROSION

- The accumulation of moisture-retaining dirt and debris in body panel sections, cavities, and other areas.
- Damage to paint and other protective coatings caused by gravel and stone chips or minor traffic accidents.

### ENVIRONMENTAL FACTORS INFLUENCE THE RATE OF CORROSION

#### Moisture

Accumulation of sand, dirt and water on the vehicle body underside can accelerate corrosion. Wet floor coverings will not dry completely inside the vehicle, and should be removed for drying to avoid floor panel corrosion.

#### Relative humidity

Corrosion will be accelerated in areas of high relative humidity, especially those areas where the temperatures stay above freezing where atmospheric pollution exists, or where road salt is used.

#### Temperature

A temperature increase will accelerate the rate of corrosion to those parts which are not well ventilated.

#### Air pollution

Industrial pollution, the presence of salt in the air in coastal areas, or heavy road salt use will accelerate the corrosion process. Road salt will also accelerate the disintegration of paint surfaces.

### TO PROTECT YOUR VEHICLE FROM CORROSION

- Wash and wax your vehicle often to keep the vehicle clean.
- Always check for minor damage to the paint and repair it as soon as possible.
- Keep drain holes at the bottom of the doors open to avoid water accumulation.
- Check the underbody for accumulation of sand, dirt or salt. If present, wash with water as soon as possible.



### CAUTION

- **NEVER** remove dirt, sand or other debris from the passenger compartment by washing it out with a hose.

### Remove dirt with a vacuum cleaner.

- **Never allow water or other liquids to come in contact with electronic components inside the vehicle as this may damage them.**

Chemicals used for road surface deicing are extremely corrosive. They accelerate corrosion and deterioration of underbody components such as the exhaust system, fuel and brake lines, brake cables, floor pan and fenders.

### In winter, the underbody must be cleaned periodically.

For additional protection against rust and corrosion, which may be required in some areas, consult a NISSAN dealer.



## **MEMO**

# 8 Maintenance and do-it-yourself

|  |      |  |      |
|--|------|--|------|
| Maintenance requirement .....                          | 8-2  | Air cleaner .....  | 8-17 |
| Scheduled maintenance .....                            | 8-2  | Windshield wiper blades .....                                | 8-18 |
| General maintenance .....                              | 8-2  | Cleaning .....   | 8-18 |
| Where to go for service .....                          | 8-2  | Replacing .....  | 8-18 |
| General maintenance .....                              | 8-2  | Rear window wiper blade (if so equipped) .....               | 8-19 |
| Explanation of maintenance items .....                 | 8-2  | Brakes .....   | 8-19 |
| Maintenance precautions .....                          | 8-5  | Self-adjusting brakes .....                                  | 8-19 |
| Engine compartment check locations .....               | 8-6  | Brake pad wear warning .....                                 | 8-19 |
| VQ35DE engine .....                                    | 8-6  | Fuses .....  | 8-20 |
| Engine cooling system .....                            | 8-7  | Engine compartment .....                                     | 8-20 |
| Checking engine coolant level .....                    | 8-8  | Passenger compartment .....                                  | 8-21 |
| Changing engine coolant .....                          | 8-8  | Intelligent Key battery replacement .....                    | 8-22 |
| Engine oil .....                                       | 8-8  | Lights .....   | 8-25 |
| Checking engine oil level .....                        | 8-8  | Hardtop models .....   | 8-25 |
| Changing engine oil and filter .....                   | 8-9  | CrossCabriolet models .....                                  | 8-26 |
| Continuously Variable Transmission (CVT) fluid .....   | 8-11 | Headlights .....   | 8-27 |
| Power steering fluid .....                             | 8-11 | Exterior and interior lights .....                           | 8-29 |
| Brake fluid .....                                      | 8-12 | Wheels and tires .....                                       | 8-32 |
| Window washer fluid .....                              | 8-13 | Tire pressure .....  | 8-32 |
| Battery .....  | 8-13 | Tire labeling .....  | 8-36 |
| Jump starting .....                                    | 8-15 | Types of tires .....   | 8-38 |
| Variable voltage control system (if so equipped) ..... | 8-15 | Tire chains .....  | 8-39 |
| Drive belt .....                                       | 8-15 | Changing wheels and tires .....                              | 8-40 |
| Spark plugs .....                                      | 8-16 | Emergency tire puncture repair kit<br>(if so equipped) ..... | 8-43 |
| Replacing spark plugs .....                            | 8-16 |  |      |

## MAINTENANCE REQUIREMENT

Some day-to-day and regular maintenance is essential to maintain your vehicle's fine mechanical condition, as well as its emission and engine performance.

It is the owner's responsibility to make sure that the scheduled maintenance, as well as general maintenance, is performed.

As the vehicle owner, you are the only one who can ensure that your vehicle receives the proper maintenance. You are a vital link in the maintenance chain.

### SCHEDULED MAINTENANCE

For your convenience, both required and optional scheduled maintenance items are described and listed in your "NISSAN Service and Maintenance Guide". You must refer to that guide to ensure that necessary maintenance is performed on your vehicle at regular intervals.

### GENERAL MAINTENANCE

General maintenance includes those items which should be checked during normal day-to-day operation. They are essential for proper vehicle operation. It is your responsibility to perform these procedures regularly as prescribed.

Performing general maintenance checks requires minimal mechanical skill and only a few general automotive tools.

#### 8-2 Maintenance and do-it-yourself

These checks or inspections can be done by yourself, a qualified technician or, if you prefer, a NISSAN dealer.

### WHERE TO GO FOR SERVICE

If maintenance service is required or your vehicle appears to malfunction, have the systems checked and serviced by a NISSAN dealer.

NISSAN technicians are well-trained specialists and are kept up-to-date with the latest service information through technical bulletins, service tips, and in-dealership information systems. They are completely qualified to work on NISSAN vehicles **before** work begins.

You can be confident that a NISSAN dealer's service department performs the best job to meet the maintenance requirements on your vehicle.

## GENERAL MAINTENANCE

During the normal day-to-day operation of the vehicle, general maintenance should be performed regularly as prescribed in this section. If you detect any unusual sounds, vibrations or smell, be sure to check for the cause or have a NISSAN dealer do it promptly. In addition, you should notify a NISSAN dealer if you think that repairs are required.

When performing any checks or maintenance work, see "Maintenance precautions" later in this section.

### EXPLANATION OF MAINTENANCE ITEMS

**Additional information on the following items with "\*" is found later in this section.**

#### Outside the vehicle

The maintenance items listed here should be performed from time to time, unless otherwise specified.

**Doors and engine hood:** Check that all doors and the engine hood operate properly. Also ensure that all latches lock securely. Lubricate hinges, latches, latch pins, rollers and links if necessary. Make sure that the secondary latch keeps the hood from opening when the primary latch is released.

When driving in areas using road salt or other corrosive materials, check lubrication frequently.

**Lights\*:** Clean the headlights on a regular basis. Make sure that the headlights, stop lights, tail lights, turn signal lights, and other lights are all operating properly and installed securely. Also check headlight aim.

**Road wheel nuts (lug nuts)\*:** When checking the tires, make sure no wheel nuts are missing, and check for any loose wheel nuts. Tighten if necessary.

**Tire rotation\*:** Tires should be rotated every 7,500 miles (12,000 km).

**Tires\*:** Check the pressure with a gauge often and always prior to long distance trips. If necessary, adjust the pressure in all tires, including the spare, to the pressure specified. Check carefully for damage, cuts or excessive wear.

**Tire Pressure Monitoring System (TPMS) transmitter components:** Replace the TPMS transmitter grommet seal, valve core and cap when the tires are replaced due to wear or age.

**Wheel alignment and balance:** If the vehicle should pull to either side while driving on a straight and level road, or if you detect uneven or abnormal tire wear, there may be a need for wheel alignment.

If the steering wheel or seat vibrates at normal highway speeds, wheel balancing may be needed.

For additional information regarding tires, refer to "Important Tire Safety Information" (US) or "Tire Safety Information" (Canada) in the Warranty Information Booklet.

**Windshield:** Clean the windshield on a regular basis. Check the windshield at least every six months for cracks or other damage. Have a damaged windshield repaired by a qualified repair facility.

**Windshield wiper blades\*:** Check for cracks or wear if they do not wipe properly.

### Inside the vehicle

The maintenance items listed here should be checked on a regular basis, such as when performing scheduled maintenance, cleaning the vehicle, etc.

**Accelerator pedal:** Check the pedal for smooth operation and make sure the pedal does not catch or require uneven effort. Keep the floor mat away from the pedal.

**Brake pedal:** Check the pedal for smooth operation. If the brake pedal suddenly goes down further than normal, the pedal feels spongy or the vehicle seems to take longer to stop, see a NISSAN dealer immediately. Keep the floor mat away from the pedal.

**Brakes:** Check that the brakes do not pull the vehicle to one side when applied.

### Continuously Variable Transmission (CVT)

**P (Park) position mechanism:** On a fairly steep hill, check that the vehicle is held securely with the shift lever in the P (Park) position without applying any brakes.

**Parking brake:** Check the parking brake operation regularly. The vehicle should be securely held on a fairly steep hill with only the parking brake applied. If the parking brake needs adjustment, see a NISSAN dealer.

**Seat belts:** Check that all parts of the seat belt system (for example, buckles, anchors, adjusters and retractors) operate properly and smoothly, and are installed securely. Check the belt webbing for cuts, fraying, wear or damage.

**Seats:** Check seat position controls such as seat adjusters, seatback recliner, etc. to ensure they operate smoothly and that all latches lock securely in every position. Check that the head restraints/headrests move up and down smoothly and that the locks (if so equipped) hold securely in all latched positions.

**Steering wheel:** Check for changes in the steering conditions, such as excessive free play, hard steering or strange noises.

**Warning lights and chimes:** Make sure that all warning lights and chimes are operating properly.

**Windshield defroster:** Check that the air comes out of the defroster outlets properly and in sufficient quantity when operating the heater or air conditioner.

**Windshield wiper and washer\*:** Check that the wipers and washer operate properly and that the wipers do not streak.

#### Under the hood and vehicle

The maintenance items listed here should be checked periodically (for example, each time you check the engine oil or refuel).

**Battery\*:** Check the fluid level in each cell.

It should be between the MAX and MIN lines. Vehicles operated in high temperatures or under severe condition require frequent checks of the battery fluid level.

#### **NOTE:**

**Care should be taken to avoid situations that can lead to potential battery discharge and potential no-start conditions such as:**

1. **Installation or extended use of electronic accessories that consume battery power when the engine is not running (Phone chargers, GPS, DVD players, etc.)**
2. **Vehicle is not driven regularly and/or only driven short distances.**

**In these cases, the battery may need to be charged to maintain battery health.**

**Brake fluid level\*:** Make sure that the brake fluid level is between the MAX and MIN lines on the reservoir.

**Engine coolant level\*:** Check the coolant level when the engine is cold.

**Engine drive belts\*:** Make sure that the drive belts are not frayed, worn, cracked or oily.

**Engine oil level\*:** Check the level after parking the vehicle on a level surface and turning off the engine. Wait more than 10 minutes for the oil to drain back into the oil pan.

**Exhaust system:** Make sure there are no loose supports, cracks or holes. If the sound of the exhaust seems unusual or there is a smell of exhaust fumes, immediately have the exhaust system inspected by a NISSAN dealer. (See "Precautions when starting and driving" in the "5. Starting and driving" section for exhaust gas (carbon monoxide).)

**Fluid leaks:** Check under the vehicle for fuel, oil, water or other fluid leaks after the vehicle has been parked for a while. Water dripping from the air conditioner after use is normal. If you should notice any leaks or if gasoline fumes are evident, check for the cause and have it corrected immediately.

**Power steering fluid level\* and lines:** Check the level when the fluid is cold, with the engine off. Check the lines for proper attachment, leaks, cracks, etc.

**Radiator and hoses:** Check the front of the radiator and clean off any dirt, insects, leaves, etc., that may have accumulated. Make sure the hoses have no cracks, deformation, rot or loose connections.

**Underbody:** The underbody is frequently exposed to corrosive substances such as those used on icy roads or to control dust. It is very important to remove these substances, otherwise rust will form on the floor pan, frame, fuel lines and around the exhaust system. At the end of winter, the underbody should be thoroughly flushed with plain water, being careful to clean those areas where mud and dirt may accumulate. For additional information, see "Cleaning exterior" in the "7. Appearance and care" section.

**Windshield washer fluid\*:** Check that there is adequate fluid in the reservoir.

## MAINTENANCE PRECAUTIONS

When performing any inspection or maintenance work on your vehicle, always take care to prevent serious accidental injury to yourself or damage to the vehicle. The following are general precautions which should be closely observed.



### WARNING

- Park the vehicle on a level surface, apply the parking brake securely and block the wheels to prevent the vehicle from moving. Move the shift lever to P (Park).
- Be sure the ignition switch is in the OFF or LOCK position when performing any parts replacement or repairs.
- If you must work with the engine running, keep your hands, clothing, hair and tools away from moving fans, belts and any other moving parts.
- It is advisable to secure or remove any loose clothing and remove any jewelry, such as rings, watches, etc. before working on your vehicle.
- Always wear eye protection whenever you work on your vehicle.

- If you must run the engine in an enclosed space such as a garage, be sure there is proper ventilation for exhaust gases to escape.
- Never get under the vehicle while it is supported only by a jack. If it is necessary to work under the vehicle, support it with safety stands.
- Keep smoking materials, flame and sparks away from fuel tank and the battery.
- The fuel filter or fuel lines should be serviced by a NISSAN dealer because the fuel lines are under high pressure even when the engine is off.



### CAUTION

- Do not work under the hood while the engine is hot. Turn the engine off and wait until it cools down.
- Avoid direct contact with used engine oil and coolant. Improperly disposed engine oil, and engine coolant and/or other vehicle fluids can damage the environment. Al-

ways conform to local regulations for disposal of vehicle fluid.

- Never leave the engine or the CVT related component harnesses disconnected while the ignition switch is in the ON position.
- Never connect or disconnect the battery or any transistorized component while the ignition switch is in the ON position.
- Your vehicle is equipped with an automatic engine cooling fan. It may come on at any time without warning, even if the ignition key is in the OFF position and the engine is not running. To avoid injury, always disconnect the negative battery cable before working near the fan.

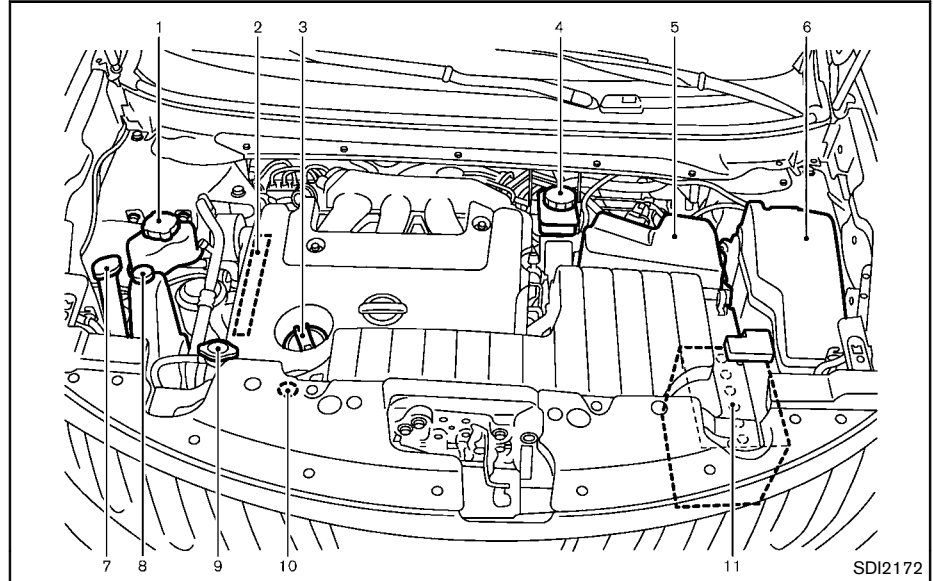
This "8. Maintenance and do-it-yourself" section gives instructions regarding only those items which are relatively easy for an owner to perform.

A genuine NISSAN Service Manual is also available. (See "Owner's Manual/Service Manual order information" in the "9. Technical and consumer information" section.)

You should be aware that incomplete or improper servicing may result in operating

## ENGINE COMPARTMENT CHECK LOCATIONS

difficulties or excessive emissions, and could affect warranty coverage. **If in doubt about any servicing, we recommend that it be done by a NISSAN dealer.**



### VQ35DE ENGINE

- |                                   |                                  |
|-----------------------------------|----------------------------------|
| 1. Power steering fluid reservoir | 7. Window washer fluid reservoir |
| 2. Drive belt location            | 8. Engine coolant reservoir      |
| 3. Engine oil filler cap          | 9. Radiator filler cap           |
| 4. Brake fluid reservoir          | 10. Engine oil dipstick          |
| 5. Air cleaner                    | 11. Battery                      |
| 6. Fuse/fusible link holder       |                                  |

## ENGINE COOLING SYSTEM

The engine cooling system is filled at the factory with a pre-diluted mixture of 50% Genuine NISSAN Long Life Antifreeze/Coolant (blue) and 50% water to provide year-round anti-freeze and coolant protection. The antifreeze solution contains rust and corrosion inhibitors. Additional engine cooling system additives are not necessary.



### WARNING

- Never remove the radiator or coolant reservoir cap when the engine is hot. Wait until the engine and radiator cool down. Serious burns could be caused by high pressure fluid escaping from the radiator. See precautions in “If your vehicle overheats” found in the “6. In case of emergency” section of this manual.
- The radiator is equipped with a pressure type radiator cap. To prevent engine damage, use only a genuine NISSAN radiator cap.
- If the engine was stopped soon when the engine is hot, the cooling fan may operate for approximately 10 minutes after the engine was

stopped to cool the components in the engine compartment. When the cooling fan is operating, be sure that hands or other items do not get caught in it.



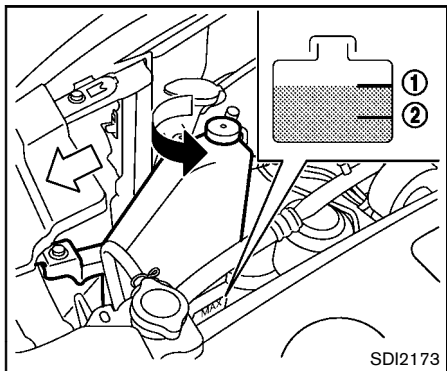
### CAUTION

- Never use any cooling system additives such as radiator sealer. Additives may clog the cooling system and cause damage to the engine, transmission and/or cooling system.
- When adding or replacing coolant, be sure to use only Genuine NISSAN Long Life Antifreeze/Coolant (blue) or equivalent. Genuine NISSAN Long Life Antifreeze/Coolant (blue) is pre-diluted to provide antifreeze protection to  $-34^{\circ}\text{F}$  ( $-37^{\circ}\text{C}$ ). If additional freeze protection is needed due to weather where you operate your vehicle, add Genuine NISSAN Long Life Antifreeze/Coolant (blue) concentrate following the directions on the container. If an equivalent coolant other than

Genuine NISSAN Long Life Antifreeze/Coolant (blue) is used, follow the coolant manufacturer's instructions to maintain minimum antifreeze protection to  $-34^{\circ}\text{F}$  ( $-37^{\circ}\text{C}$ ). The use of other types of coolant solutions other than Genuine NISSAN Long Life Antifreeze/Coolant (blue) or equivalent may damage the engine cooling system.

- The life expectancy of the factory-fill coolant is 105,000 miles (168,000 km) or 7 years. Mixing any other type of coolant other than Genuine NISSAN Long Life Antifreeze/Coolant (blue), including Genuine NISSAN Long Life Antifreeze/Coolant (green), or the use of non-distilled water will reduce the life expectancy of the factory-fill coolant. Refer to the NISSAN Service and Maintenance Guide for more details.





### CHECKING ENGINE COOLANT LEVEL

Check the coolant level **in the reservoir when the engine is cold**. If the coolant level is below the MIN level (2), open the reservoir cap and add coolant up to the MAX level (1). If the reservoir is empty, check the coolant level in the radiator **when the engine is cold**. If there is insufficient coolant in the radiator, fill the radiator with coolant up to the filler opening and also add it to the reservoir up to the MAX level (1).

**If the cooling system frequently requires coolant, have it checked by a NISSAN dealer.**

### CHANGING ENGINE COOLANT

Major cooling system repairs should be performed by a NISSAN dealer. The service procedures can be found in the appropriate NISSAN Service Manual.

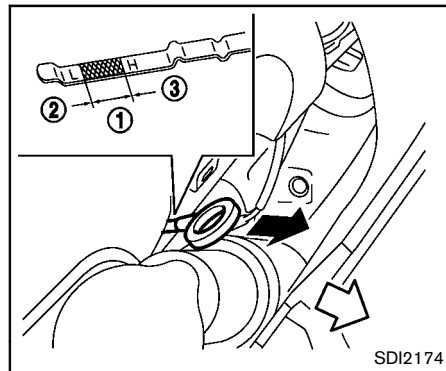
**Improper servicing can result in reduced heater performance and engine overheating.**

### WARNING

- **To avoid the danger of being scalded, never change the coolant when the engine is hot.**
- **Never remove the radiator cap when the engine is hot. Serious burns could be caused by high pressure fluid escaping from the radiator.**
- **Avoid direct skin contact with used coolant. If skin contact is made, wash thoroughly with soap or hand cleaner as soon as possible.**
- **Keep coolant out of reach of children and pets.**

Engine coolant must be disposed of properly. Check your local regulations.

### ENGINE OIL



### CHECKING ENGINE OIL LEVEL

1. Park the vehicle on a level surface and apply the parking brake.
2. Run the engine until it reaches operating temperature.
3. Turn off the engine. **Wait more than 10 minutes for the oil to drain back into the oil pan.**
4. Remove the dipstick and wipe it clean. Reinsert it all the way.
5. Remove the dipstick again and check the oil level. It should be within the range (1). If the oil level is below (2), remove the oil filler cap and pour recommended oil through the

- opening. **Do not overfill** ③ .
6. Recheck oil level with the dipstick.

**It is normal to add some oil between oil maintenance intervals or during the break-in period, depending on the severity of operating conditions.**

### CAUTION

**Oil level should be checked regularly. Operating the engine with an insufficient amount of oil can damage the engine, and such damage is not covered by the warranty.**

## CHANGING ENGINE OIL AND FILTER

Change the engine oil and filter according to the maintenance log shown in the NISSAN Service and Maintenance Guide.

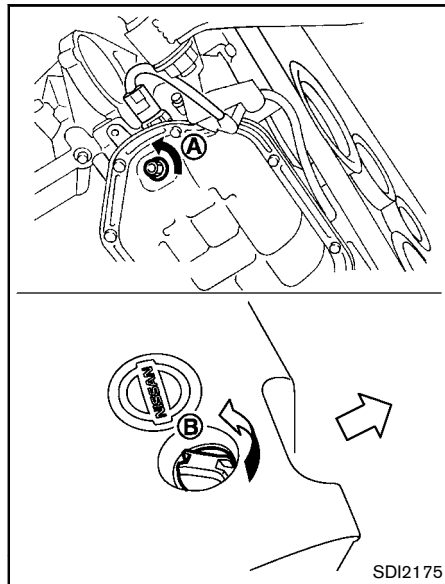
### Vehicle set-up

1. Park the vehicle on a level surface and apply the parking brake.
2. Start the engine and let it idle until it reaches operating temperature.
3. Turn the engine off and wait more than 10 minutes.

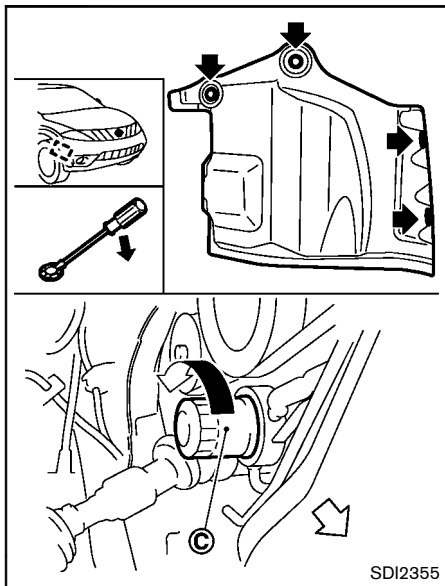
4. Raise and support the vehicle using a suitable floor jack and safety jack stands.
  - Place the safety jack stands under the vehicle jack-up points.
  - A suitable adapter should be attached to the jack stand saddle.

### CAUTION

**Make sure the correct lifting and support points are used to avoid vehicle damage.**



SDI2175



SDI2355

## Engine oil and filter

1. Place a large drain pan under the drain plug (A).
2. Remove the oil filler cap (B).
3. Remove the drain plug with a wrench and completely drain the oil.

## 8-10 Maintenance and do-it-yourself

### CAUTION

**Be careful not to burn yourself, as the engine oil is hot.**

- Waste oil must be disposed of properly.
- Check your local regulations.

Perform steps 4 to 9 when the engine oil filter change is needed.

4. Remove the plastic cover over the oil filter location by removing the small plastic clips as illustrated.
5. Loosen the oil filter (C) with an oil filter wrench. Remove the oil filter by turning it by hand.
6. Wipe the engine oil filter mounting surface with a clean rag.

### CAUTION

**Be sure to remove any old gasket material remaining on the mounting surface of the engine. Failure to do so could lead to engine damage.**

7. Coat the gasket on the new filter with clean engine oil.
8. Screw in the oil filter clockwise until a slight resistance is felt, then tighten additionally more than 2/3 turn.

**Oil filter tightening torque:**

**11 to 15 ft-lb (14.7 to 20.5 N-m)**

9. Install the plastic cover.
10. Clean and re-install the drain plug with a new washer. Securely tighten the drain plug with a wrench.

**Drain plug tightening torque:**

**22 to 29 ft-lb (29 to 39 N-m)**

Do not use excessive force.

11. Refill engine with recommended oil through the oil filler opening, and install the oil filler cap securely.

See "Capacities and recommended fuel/lubricants" in the "9. Technical and consumer information" section for drain and refill capacity. The drain and refill capacity depends on the oil temperature and drain time. Use these specifications for reference only. Always use the dipstick to determine the proper amount of oil in the engine.

12. Start the engine and check for leakage around the drain plug and the oil filter.

## CONTINUOUSLY VARIABLE TRANSMISSION (CVT) FLUID

Correct as required.

13. Turn the engine off and wait more than 10 minutes. Check the oil level with the dipstick. Add engine oil if necessary.

After the operation

1. Lower the vehicle carefully to the ground.
2. Dispose of waste oil and filter properly.

### WARNING

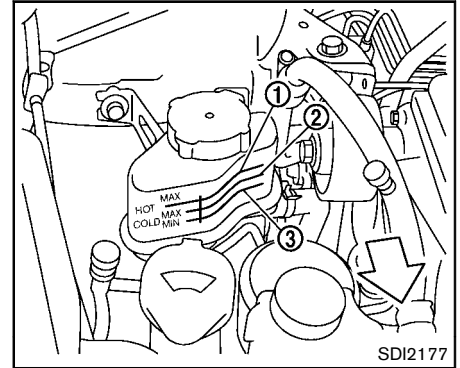
- Prolonged and repeated contact with used engine oil may cause skin cancer.
- Try to avoid direct skin contact with used oil. If skin contact is made, wash thoroughly with soap or hand cleaner as soon as possible.
- Keep used engine oil out of reach of children.

### CAUTION

- Use only Genuine NISSAN CVT Fluid NS-3. Do not mix with other fluids.
- Using transmission fluid other than Genuine NISSAN CVT Fluid NS-3 will damage the CVT, which is not covered by the NISSAN new vehicle limited warranty.

When checking or replacement is required, we recommend a NISSAN dealer for servicing.

## POWER STEERING FLUID



Check the fluid level in the reservoir.

The fluid level should be checked using the HOT range (① : HOT MAX., ③ : HOT MIN.) at fluid temperatures of 122 to 176°F (50 to 80°C) or using the COLD range (② : COLD MAX., ③ : COLD MIN.) at fluid temperatures of 32 to 86°F (0 to 30°C).

If the fluid is below the MIN line, add Genuine NISSAN PSF or equivalent. Remove the cap and fill through the opening.



## CAUTION

- Do not overfill.
- Use Genuine NISSAN PSF or equivalent.

## BRAKE FLUID

For additional brake fluid information, see “Capacities and recommended fuel/lubricants” in the “9. Technical and consumer information” section of this manual.



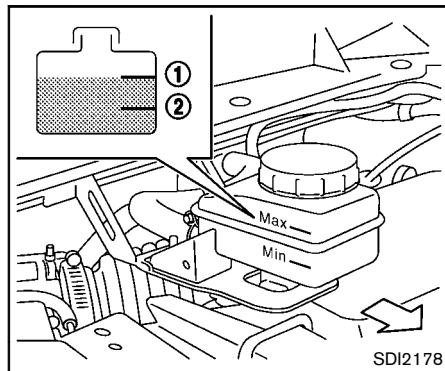
## WARNING

- Use only new fluid from a sealed container. Old, inferior or contaminated fluid may damage the brake system. The use of improper fluids can damage the brake system and affect the vehicle’s stopping ability.
- Clean the filler cap before removing.
- Brake fluid is poisonous and should be stored carefully in marked containers out of the reach of children.



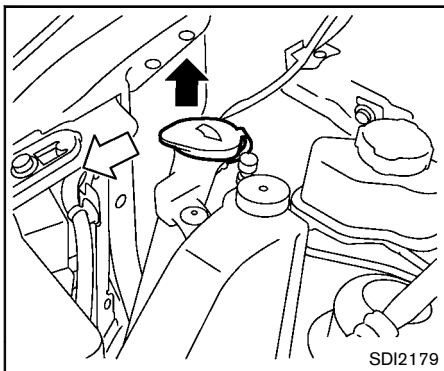
## CAUTION

Do not spill the fluid on any painted surfaces. This will damage the paint. If fluid is spilled, immediately wash the surface with water.



Check the fluid level in the reservoir. If the fluid is below the MIN line ② or the brake warning light comes on, add Genuine NISSAN Super Heavy Duty Brake Fluid or equivalent **DOT 3** fluid up to the MAX line ①. If fluid must be added frequently, the system should be checked by a NISSAN dealer.

## WINDOW WASHER FLUID



Fill the window washer fluid reservoir periodically. Add window washer fluid when the low window washer fluid warning appears on the dot matrix liquid crystal display.

To fill the window washer fluid reservoir, lift the cap and pour the window washer fluid into the reservoir opening.

Add a washer solvent to the water for better cleaning. In the winter season, add a windshield washer antifreeze. Follow the manufacturer's instructions for the mixture ratio.

Refill the reservoir more frequently when driving conditions require an increased amount of window washer fluid.

Recommended fluid:

Genuine NISSAN Windshield Washer Concentrate Cleaner & Antifreeze or equivalent

### CAUTION

- **Do not substitute engine anti-freeze coolant for window washer solution. This may result in damage to the paint.**
- **Do not fill the window washer reservoir tank with washer fluid concentrates at full strength. Some methyl alcohol based washer fluid concentrates may permanently stain the grille if spilled while filling the window washer reservoir tank.**
- **Pre-mix washer fluid concentrates with water to the manufacturer's recommended levels before pouring the fluid into the window washer reservoir tank. Do not use the window washer reservoir tank to mix the washer fluid concentrate and water.**

## BATTERY

- Keep the battery surface clean and dry. Clean the battery with a solution of baking soda and water.
- Make certain the terminal connections are clean and securely tightened.
- If the vehicle is not to be used for 30 days or longer, disconnect the negative (-) battery terminal cable to prevent discharging it.

### NOTE:

**Care should be taken to avoid situations that can lead to potential battery discharge and potential no-start conditions such as:**

1. **Installation or extended use of electronic accessories that consume battery power when the engine is not running (Phone chargers, GPS, DVD players, etc.)**
2. **Vehicle is not driven regularly and/or only driven short distances.**

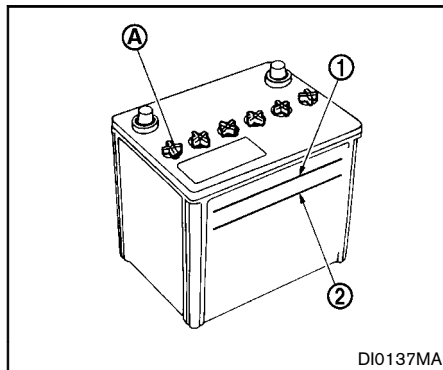
**In these cases, the battery may need to be charged to maintain battery health.**

### WARNING

- **Do not expose the battery to flames or electrical sparks. Hydrogen gas generated by the battery is explosive. Do not allow battery fluid to**

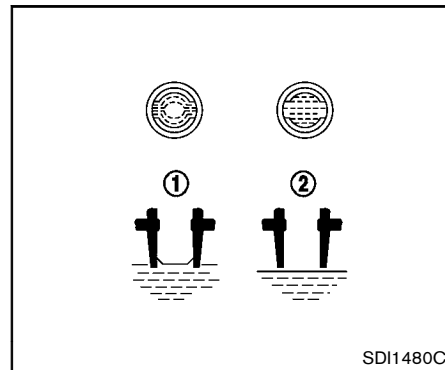
contact your skin, eyes, fabrics, or painted surfaces. After touching a battery or battery cap, do not touch or rub your eyes. Thoroughly wash your hands. If the acid contacts your eyes, skin or clothing, immediately flush with water for at least 15 minutes and seek medical attention.

- Do not operate the vehicle if the fluid in the battery is low. Low battery fluid can cause a higher load on the battery which can generate heat, reduce battery life, and in some cases lead to an explosion.
- When working on or near a battery, always wear suitable eye protection and remove all jewelry.
- Battery posts, terminals and related accessories contain lead and lead compounds. Wash hands after handling.
- Keep the battery out of the reach of children.



Check the fluid level in each cell. (Remove the battery cover if it is necessary.) It should be between the UPPER LEVEL ① and LOWER LEVEL ② lines.

If it is necessary to add fluid, add only distilled water to bring the level to the indicator in each filler opening. **Do not overfill.**



1. Remove the cell plugs (A) .
2. Add distilled water up to the UPPER LEVEL ① line.

If the side of the battery is not clear, check the distilled water level by looking directly above the cell; the condition ① indicates OK and the conditions ② needs more to be added.

3. Tighten cell plugs (A) .

Vehicles operated in high temperatures or under severe conditions require frequent checks of the battery fluid level.

## JUMP STARTING

If jump starting is necessary, see "Jump starting" in the "6. In case of emergency" section. If the engine does not start by jump starting, the battery may have to be replaced. Contact a NISSAN dealer.

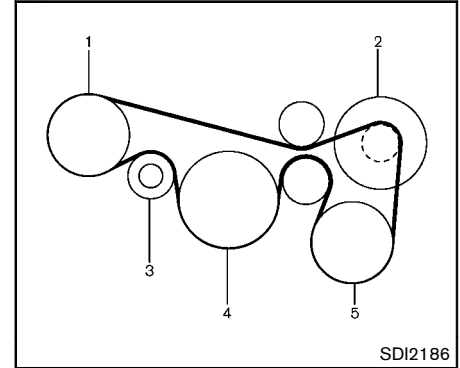
## VARIABLE VOLTAGE CONTROL SYSTEM (if so equipped)

### CAUTION

- **Do not ground accessories directly to the battery terminal. Doing so will bypass the variable voltage control system and the vehicle battery may not charge completely.**
- **Use electrical accessories with the engine running to avoid discharging the vehicle battery.**

The variable voltage control system measures the amount of electrical discharge from the battery and controls voltage generated by the generator.

## DRIVE BELT



1. Power steering oil pump
2. Alternator
3. Drive belt auto-tensioner
4. Crankshaft pulley
5. Air conditioner compressor

### WARNING

**Be sure the ignition switch is in the OFF or LOCK position before servicing drive belt. The engine could rotate unexpectedly.**

1. Visually inspect the belt for signs of unusual wear, cuts, fraying or looseness. If the belt is



## SPARK PLUGS

in poor condition or loose, have it replaced or adjusted by a NISSAN dealer.

2. Have the belt condition checked regularly.



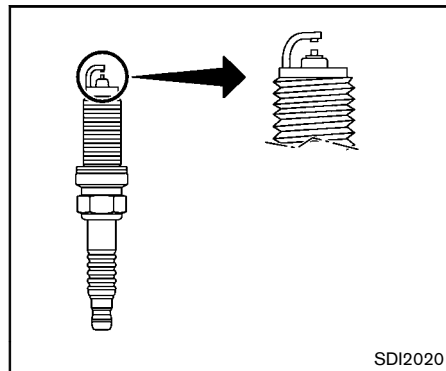
### WARNING

**Be sure the engine and ignition switch are off and that the parking brake is engaged securely.**



### CAUTION

**Be sure to use the correct socket to remove the spark plugs. An incorrect socket can damage the spark plugs.**



## REPLACING SPARK PLUGS

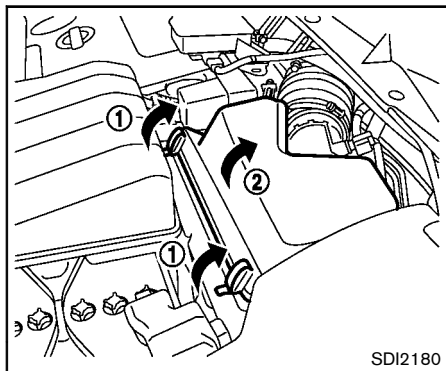
If replacement is required, see a NISSAN dealer for servicing.

### Iridium-tipped spark plugs

It is not necessary to replace the platinum-tipped spark plugs as frequently as the conventional type spark plugs since they will last much longer. Follow the maintenance log shown in the "NISSAN Service and Maintenance Guide". Do not reuse spark plugs by cleaning or regapping.

**Always replace spark plugs with recommended or equivalent ones.**

## AIR CLEANER



Pull the tabs ① and pull out the cover ②.

The air cleaner filter should not be cleaned and reused. Replace it according to the maintenance log shown in the "NISSAN Service and Maintenance Guide". When replacing the filter, wipe the inside of the air cleaner housing and the cover with a damp cloth.



### WARNING

- **Operating the engine with the air cleaner removed can cause you or others to be burned. The air cleaner not only cleans the air, it stops flame if the engine backfires. If it**

**isn't there, and the engine backfires, you could be burned. Do not drive with the air cleaner removed, and be careful when working on the engine with the air cleaner removed.**

- **Never pour fuel into the throttle body or attempt to start the engine with the air cleaner removed. Doing so could result in serious injury.**

## WINDSHIELD WIPER BLADES

### CLEANING

If your windshield is not clear after using the windshield washer or if a wiper blade chatters when running, wax or other material may be on the blade or windshield.

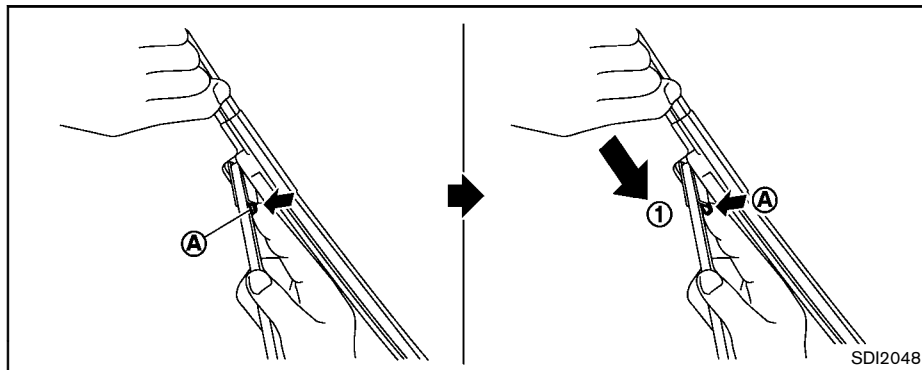
Clean the outside of the windshield with a washer solution or a mild detergent. Your windshield is clean if beads do not form when rinsing with clear water.

Clean each blade by wiping it with a cloth soaked in a washer solution or a mild detergent. Then rinse the blade with clear water. If your windshield is still not clear after cleaning the blades and using the wiper, replace the blades.



### CAUTION

**Worn windshield wiper blades can damage the windshield and impair driver vision.**



### REPLACING

Replace the wiper blades if they are worn.

1. Lift the wiper arm away from the windshield.
2. Push and hold the release tab (A), and move the wiper blade down the wiper arm (1).
3. Insert the new wiper blade onto the wiper arm until a click sounds.
4. Rotate the wiper blade so that the dimple is in the groove.

Contact a NISSAN dealer for wiper blade rubber replacement.

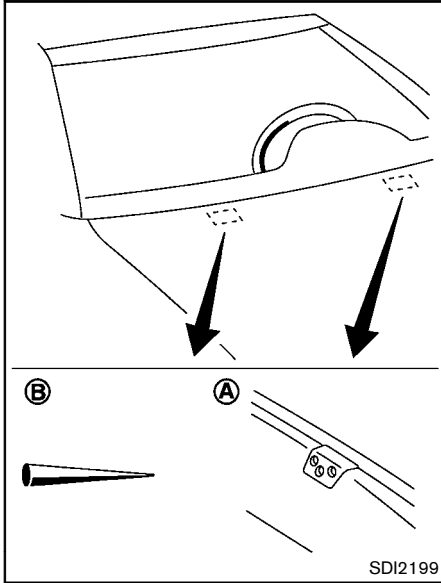


### CAUTION

- After wiper blade replacement, return the wiper arm to its original position; otherwise it may be damaged when the hood is opened.
- Make sure the wiper blades contact the glass; otherwise the arm may be damaged from wind pressure.

## REAR WINDOW WIPER BLADE (if so equipped)

Contact a NISSAN dealer if checking or replacement is required.



Be careful not to clog the washer nozzle (A). This may cause improper windshield washer operation. If the nozzle is clogged, remove any objects with a needle or small pin (B). Be careful not to damage the nozzle.

## BRAKES

If the brakes do not operate properly, have the brakes checked by a NISSAN dealer.

### SELF-ADJUSTING BRAKES

Your vehicle is equipped with self-adjusting brakes.

The disc-type brakes self-adjust every time the brake pedal is applied.



### WARNING

**See a NISSAN dealer for a brake system check if the brake pedal height does not return to normal.**

### BRAKE PAD WEAR WARNING

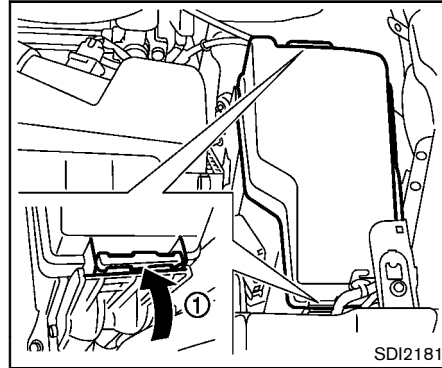
The disc brake pads have audible wear warnings. When a brake pad requires replacement, it will make a high pitched scraping sound when the vehicle is in motion. This scraping sound will first occur only when the brake pedal is depressed. After more wear of the brake pad, the sound will always be heard even if the brake pedal is not depressed. Have the brakes checked as soon as possible if the wear warning sound is heard.

Under some driving or climate conditions, occasional brake squeak, squeal or other noise may be heard. Occasional brake noise during

light to moderate stops is normal and does not affect the function or performance of the brake system.

**Proper brake inspection intervals should be followed.** For additional information, see the maintenance log section of your "NISSAN Service and Maintenance Guide".

## FUSES



### ENGINE COMPARTMENT

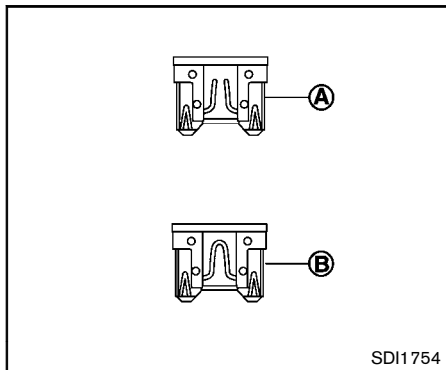


**Never use a fuse of a higher or lower amperage rating than that specified on the fuse box cover. This could damage the electrical system or cause a fire.**

If any electrical equipment does not operate, check for an open fuse.

1. Be sure the ignition switch and the headlight switch are turned off.

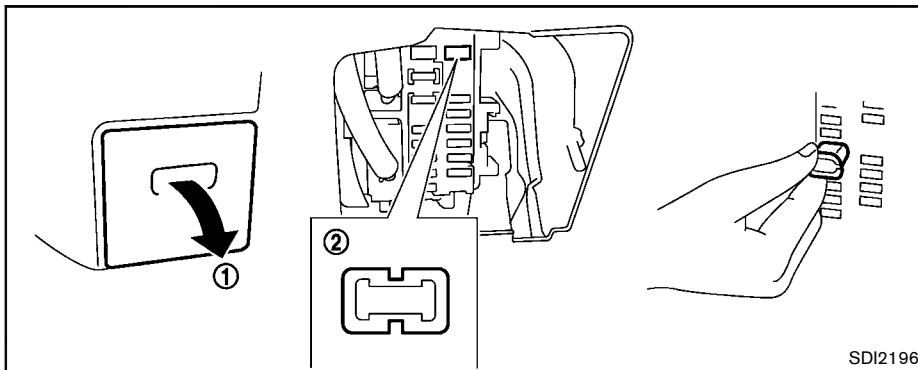
2. Open the engine hood.
3. Remove the fuse/fusible link holder cover by pushing the tab ①.
4. Remove the fuse with the fuse puller located in the passenger compartment fuse box.



5. If the fuse is open (A), replace it with a new fuse (B). Spare fuses are stored in the passenger compartment fuse box.
6. If a new fuse also opens, have the electrical system checked and repaired by a NISSAN dealer.

### Fusible links

If any electrical equipment does not operate and fuses are in good condition, check the fusible links. If any of these fusible links are melted, replace only with genuine NISSAN parts.



### PASSENGER COMPARTMENT



### CAUTION

**Never use a fuse of a higher or lower amperage rating than that specified on the fuse box cover. This could damage the electrical system or cause a fire.**

If any electrical equipment does not operate, check for an open fuse.

1. Be sure the ignition switch and the headlight switch are turned off.

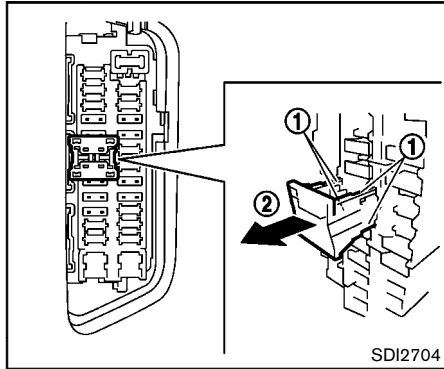
2. Pull to remove the fuse box cover (1).
3. Remove the fuse with the fuse puller (2).
4. If the fuse is open, replace it with a new fuse.
5. If a new fuse also opens, have the electrical system checked and repaired by a NISSAN dealer.

## INTELLIGENT KEY BATTERY REPLACEMENT



### CAUTION

Be careful not to allow children to swallow the battery and removed parts.



Example

### Extended storage fuse switch

To reduce battery drain, the extended storage fuse switch comes from the factory switched off. Prior to delivery of your vehicle, the switch is pushed in (switched on) and should always remain on.

If the extended storage fuse switch is not pushed in (switched on), the "SHIPPING MODE ON, PUSH STORAGE FUSE" warning may appear on the dot matrix liquid crystal display. See "Dot matrix liquid crystal display" in the "2. Instruments and controls" section.

If any electrical equipment does not operate, remove the extended storage fuse switch and

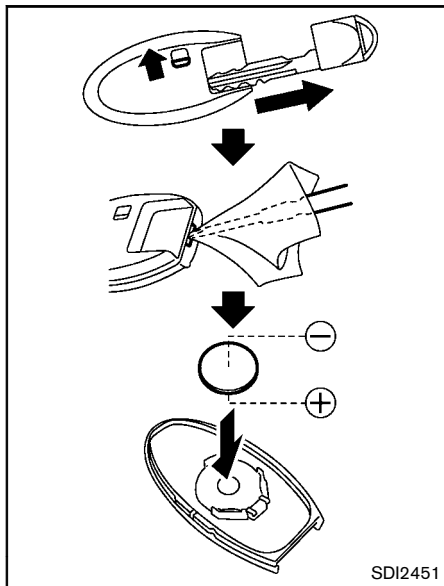
check for an open fuse.

### NOTE:

If the extended storage fuse switch malfunctions, or if the fuse is open, it is not necessary to replace the switch. In this case, remove the extended storage fuse switch and replace it with a new fuse of the same rating.

### How to remove the extended storage fuse switch:

1. To remove the extended storage fuse switch, be sure the ignition switch is in the OFF or LOCK position.
2. Be sure the headlight switch is in the OFF position.
3. Remove the fuse box cover.
4. Pinch the locking tabs ① found on each side of the storage fuse switch.
5. Pull the storage fuse switch straight out from the fuse box ②.



Replace the battery as follows:

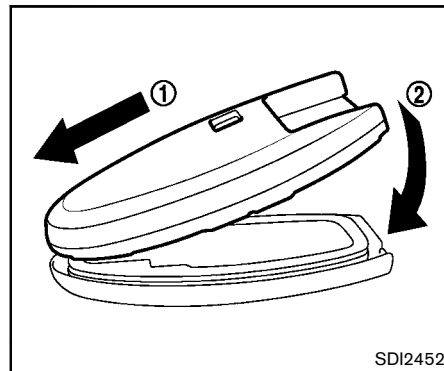
1. Remove the mechanical key from the key.
2. Insert a small screwdriver into the slit of the corner and twist it to separate the upper part from the lower part. Use a cloth to protect the casing.

3. Replace the battery with a new one.

Recommended battery:

CR2032 or equivalent

- Do not touch the internal circuit and electric terminals as doing so could cause a malfunction.
- Hold the battery by the edges. Holding the battery across the contact points will seriously deplete the storage capacity.
- Make sure that the ⊕ side faces the bottom case.



4. Align the tips of the upper and lower parts ①, and then push them together ② until it is securely closed.
5. Operate the buttons to check its operation. See a NISSAN dealer if you need any assistance for replacement.

**FCC Notice:**

**For USA:**

**This device complies with Part 15 of the FCC Rules. Operation is subject to the following two conditions: (1) This device may not cause harmful interference, and (2) this device must accept any interference received, including interference that**



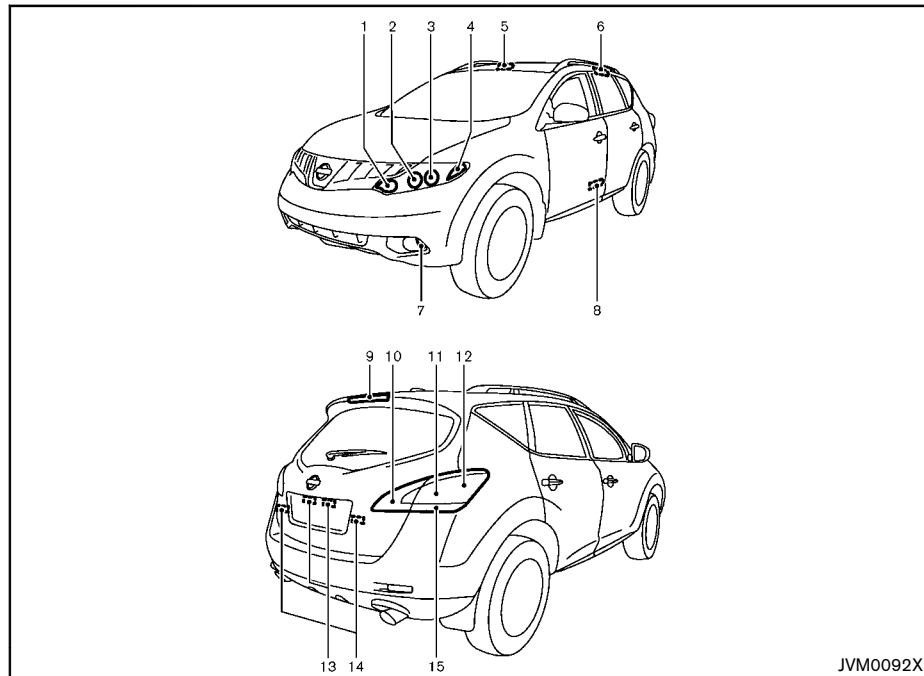
may cause undesired operation.

**Note:** Changes or modifications not expressly approved by the party responsible for compliance could void the user's authority to operate the equipment.

**For Canada:**

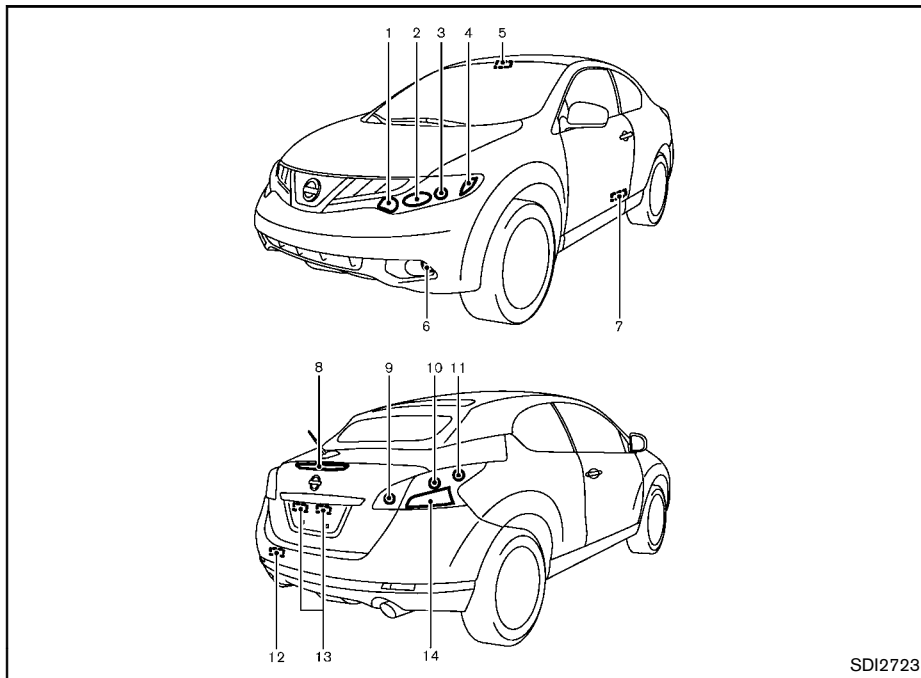
This device complies with RSS-210 of Industry Canada. Operation is subject to the following two conditions: (1) this device may not cause interference, and (2) this device must accept any interference, including interference that may cause undesired operation of the device.

## LIGHTS



## HARDTOP MODELS

1. Front turn signal/parking light\* or Front turn signal light\*\*
  2. Headlight (high-beam)\* or Front parking light\*\*
  3. Headlight (low-beam)\* or Headlight (low-beam, high-beam)\*\*
  4. Side marker light
  5. Front map light
  6. Rear personal light
  7. Front fog light (if so equipped)
  8. Step light
  9. High-mounted stop light
  10. Back-up light
  11. Rear stop/tail light
  12. Rear side marker light
  13. License plate light
  14. Cargo light
  15. Rear turn signal light
- \*: Halogen headlight model  
\*\*: Xenon headlight model



## CROSSCABRIOLET MODELS

1. Front turn signal light
2. Front parking light
3. Headlight (low-beam, high-beam)
4. Front side marker light
5. Front map light
6. Front fog light
7. Step light
8. High-mounted stop light
9. Back-up light
10. Rear turn signal light
11. Rear side marker light
12. Trunk light
13. License plate light
14. Rear stop/tail light

SDI2723

## HEADLIGHTS

Fog may temporarily form inside the lens of the exterior lights in the rain or in a car wash. A temperature difference between the inside and the outside of the lens causes the fog. This is not a malfunction. If large drops of water collect inside the lens, contact a NISSAN dealer.

### Replacing

If replacement is required, see a NISSAN dealer.

#### Xenon headlight model:

### WARNING

#### HIGH VOLTAGE

When xenon headlights are on, they produce a high voltage. To prevent an electric shock, never attempt to modify or disassemble. Always have your xenon headlights replaced at a NISSAN dealer. For additional information, see “Headlight and turn signal switch” in the “2. Instruments and controls” section.

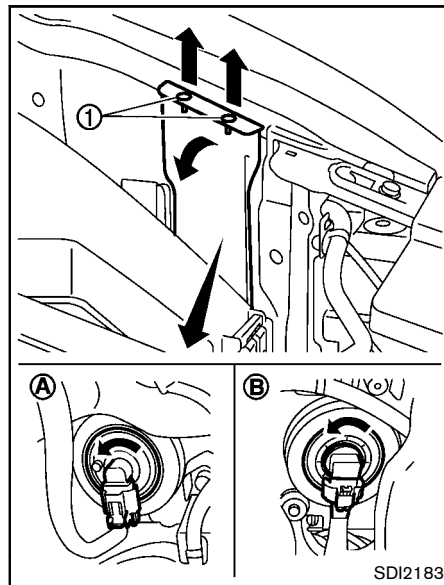
#### Halogen headlight model (if so equipped):

The headlight is a semi-sealed beam type which uses a replaceable headlight (halogen) bulb.

### CAUTION

- Do not leave the bulb out of the headlight reflector for a long period of time. Dust, moisture, smoke, etc. entering the headlight body may affect bulb performance.
- High pressure halogen gas is sealed inside the halogen bulb. The bulb may break if the glass envelope is scratched or the bulb is dropped.
- Only touch the plastic base when handling the bulb. Never touch the glass envelope.
- Aiming is not necessary after replacing the bulb. When aiming adjustment is necessary, contact a NISSAN dealer.

Use the same number and wattage as originally installed as shown in the chart.



Disconnect the battery negative cable before replacing bulbs.

To replace the headlight bulb, if necessary, remove the rubber cover by pulling out the two clips ①.

Ⓐ High-beam bulb

Ⓑ Low-beam bulb

## EXTERIOR AND INTERIOR LIGHTS

| Item                                 | Wattage (W) | Bulb No. |
|--------------------------------------|-------------|----------|
| Headlight                            |             |          |
| High/Low beams (Xenon)*              | 35          | D2S      |
| High beam (Halogen) (Hardtop)        | 65          | HB3      |
| Low beam (Halogen) (Hardtop)         | 55          | H11      |
| Front turn signal/parking light*     | 27/8        | 1157NA   |
| Front turn signal light**            | 21          | WY21W    |
| Front parking light**                | 5           | W5W      |
| Front fog light (if so equipped)     | 35          | H8       |
| Front side marker                    | 5           | WY5W     |
| Rear combination light*              |             |          |
| turn signal (Hardtop)                | 21          | WY21W    |
| turn signal (CrossCabriolet)         | 21          | W21W     |
| stop/tail                            | LED         | —        |
| side marker                          | 5           | W5W      |
| back-up                              | 16          | W16W     |
| License plate light*                 | 5           | W5W      |
| Front map light                      | 8           | —        |
| Rear personal light (if so equipped) | 8           | —        |
| Vanity mirror light (if so equipped) | 2           | —        |
| Step light *                         | 2.7         | 161      |
| High-mounted stop light*             | LED         | —        |
| Cargo light (Hardtop)                | 8           | —        |
| Trunk light (CrossCabriolet)         | 5           | W5W      |
| Glove box light*                     | 3.4         | —        |
| Mood light (if so equipped)*         | LED         | —        |

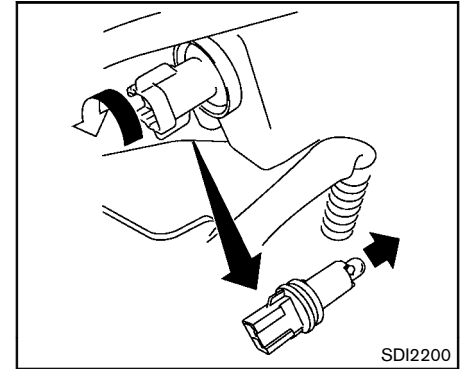
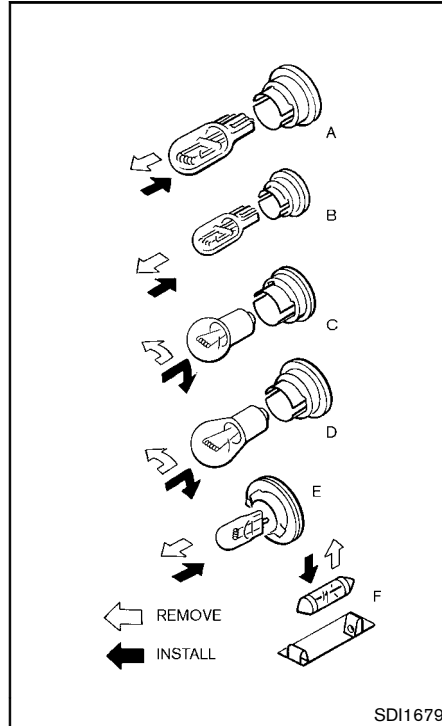
\*: See a NISSAN dealer for replacement.

\*\* : Xenon headlight model

NOTE: Always check with the Parts Department at a NISSAN dealer for the latest information about parts.

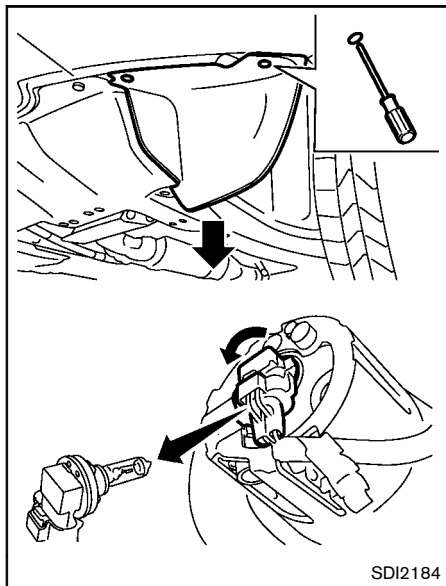
## Replacement procedures

All other lights are either type A, B, C, D, E or F. When replacing a bulb, first remove the lens and/or cover.



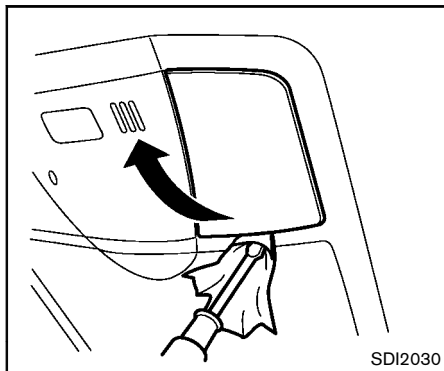
**Side marker light (Halogen headlight model)**

1. Remove the rubber cover. (See "Headlights" earlier in this section.)
2. Remove the bulb as illustrated.



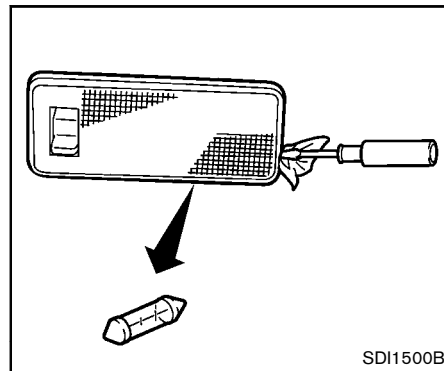
Front fog light (if so equipped)

SDI2184



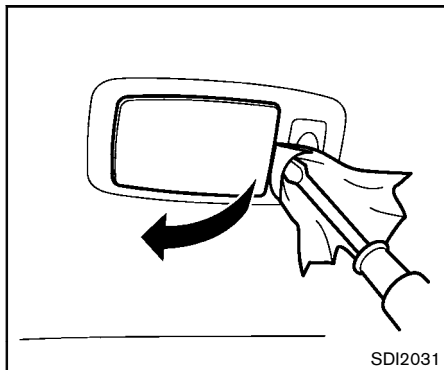
Front map light

SDI2030



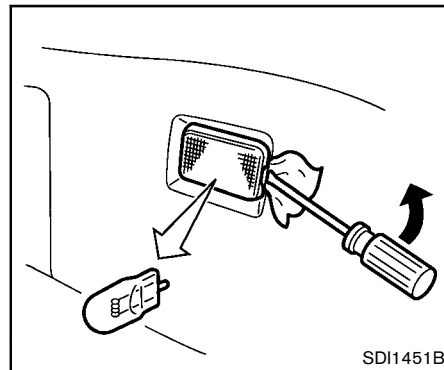
Cargo light (Hardtop models)

SDI1500B



Rear personal light (if so equipped)

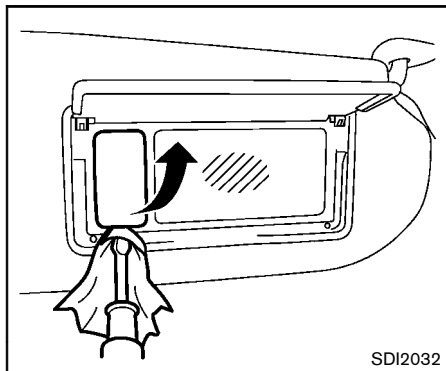
SDI2031



Trunk light (CrossCabriolet models)

SDI1451B





Vanity mirror light (if so equipped)

## WHEELS AND TIRES

If you have a flat tire, see “Flat tire” in the “6. In case of emergency” section.

### TIRE PRESSURE

#### Tire Pressure Monitoring System (TPMS)

This vehicle is equipped with the Tire Pressure Monitoring System (TPMS). It monitors tire pressure of all tires except the spare. When the low tire pressure warning light is lit and the CHECK TIRE PRESSURE warning appears on the dot matrix liquid crystal display, one or more of your tires is significantly under-inflated.

The TPMS will activate only when the vehicle is driven at speeds above 16 MPH (25 km/h). Also, this system may not detect a sudden drop in tire pressure (for example a flat tire while driving).

For more details, see “Low tire pressure warning light” in the “2. Instruments and controls” section, “Tire Pressure Monitoring System (TPMS)” in the “5. Starting and driving” section and “Tire Pressure Monitoring System (TPMS)” in the “6. In case of emergency” section.

#### Tire inflation pressure

Check the pressure of the tires (including the spare) often and always prior to long distance trips. The recommended tire pressure specifications are shown on the Tire and Loading Information label under the “Cold Tire Pressure” heading. The Tire and Loading Information label is affixed to the driver side center pillar. Tire pressures should be checked regularly because:

- Most tires naturally lose air over time.
- Tires can lose air suddenly when driven over potholes or other objects or if the vehicle strikes a curb while parking.

The tire pressures should be checked when the tires are cold. The tires are considered COLD after the vehicle has been parked for 3 or more hours, or driven less than 1 mile (1.6 km) at moderate speeds.

**Incorrect tire pressure, including under inflation, may adversely affect tire life and vehicle handling.**

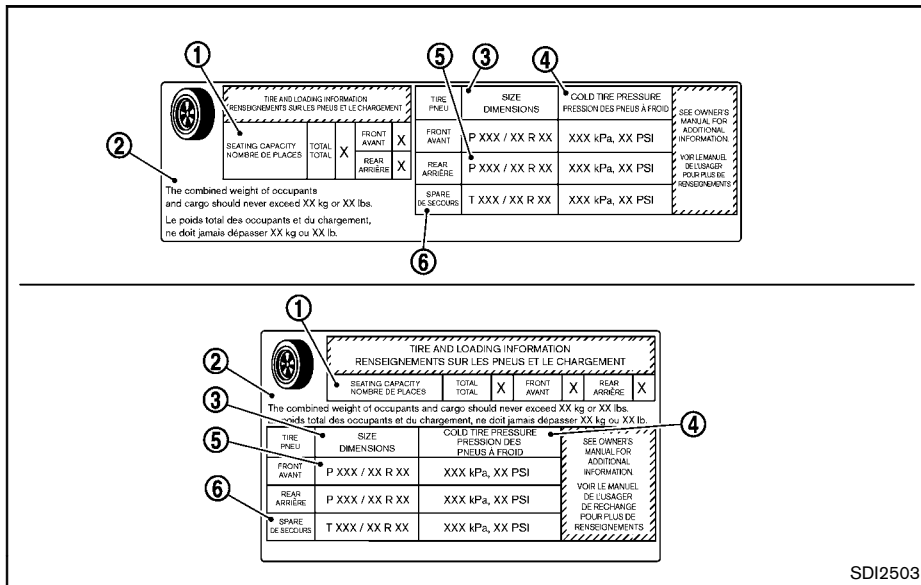


## **WARNING**

- Improperly inflated tires can fail suddenly and cause an accident.
- The Gross Vehicle Weight rating (GVWR) is located on the F.M.V. S.S./C.M.V.S.S. certification label. The vehicle weight capacity is indicated on the Tire and Loading Information label. Do not load your vehicle beyond this capacity. Overloading your vehicle may result in reduced tire life, unsafe operating conditions due to premature tire failure, or unfavorable handling characteristics and could also lead to a serious accident. Loading beyond the specified capacity may also result in failure of other vehicle components.
- Before taking a long trip, or whenever you heavily load your vehicle, use a tire pressure gauge to ensure that the tire pressures are at the specified

level.

- For additional information regarding tires, refer to “Important Tire Safety Information” (US) or “Tire Safety Information” (Canada) in the Warranty Information Booklet.

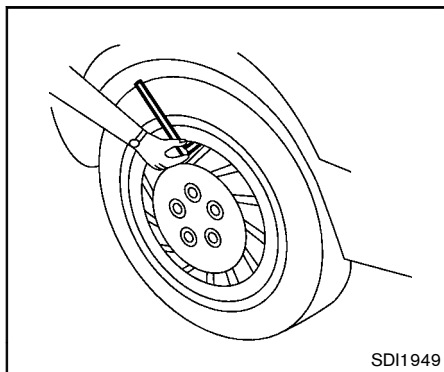


hours, or driven less than 1 mile (1.6 km) at moderate speeds. The recommended cold tire inflation is set by the manufacturer to provide the best balance of tire wear, vehicle handling, driveability, tire noise, etc., up to the vehicle's GVWR.

- ⑤ Tire size — see “Tire labeling” later in this section.
- ⑥ Spare tire size or compact spare tire size (if so equipped)

### Tire and Loading Information label

- ① Seating capacity: The maximum number of occupants that can be seated in the vehicle.
- ② Vehicle load limit: See “Vehicle loading information” in the “9. Technical and consumer information” section.
- ③ Original size: The size of the tires originally installed on the vehicle at the factory.
- ④ Cold tire pressure: Inflate the tires to this pressure when the tires are cold. Tires are considered COLD after the vehicle has been parked for 3 or more



#### Checking the tire pressure

1. Remove the valve stem cap from the tire.
2. Press the pressure gauge squarely onto the valve stem. Do not press too hard or force the valve stem sideways, or air will escape. If the hissing sound of air escaping from the tire is heard while checking the pressure, reposition the gauge to eliminate this leakage.
3. Remove the gauge.
4. Read the tire pressure on the gauge stem and compare it to the specifica-

tion shown on the Tire and Loading Information label.

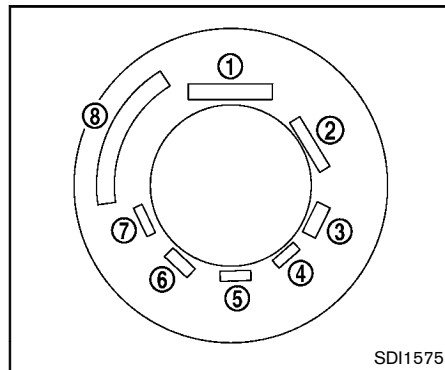
5. Add air to the tire as needed. If too much air is added, press the core of the valve stem briefly with the tip of the gauge stem to release pressure. Re-check the pressure and add or release air as needed.
6. Install the valve stem cap.
7. Check the pressure of all other tires, including the spare.

#### Hardtop models:

|                            | SIZE                   | COLD TIRE INFLATION PRESSURE |
|----------------------------|------------------------|------------------------------|
| <b>FRONT ORIGINAL TIRE</b> | <b>P235/65R18 104T</b> | <b>230 kPa, 33 PSI</b>       |
|                            | <b>P235/55R20 102T</b> | <b>230 kPa, 33 PSI</b>       |
| <b>REAR ORIGINAL TIRE</b>  | <b>P235/65R18 104T</b> | <b>230 kPa, 33 PSI</b>       |
|                            | <b>P235/55R20 102T</b> | <b>230 kPa, 33 PSI</b>       |
| <b>SPARE TIRE</b>          | <b>Original tire</b>   | <b>230 kPa, 33 PSI</b>       |
|                            | <b>T165/90D18 107M</b> | <b>420 kPa, 60 PSI</b>       |

CrossCabriolet models:

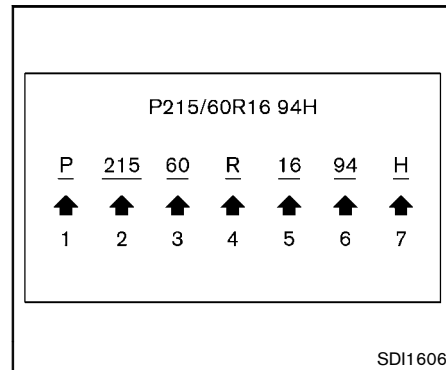
|                     | SIZE            | COLD TIRE INFLATION PRESSURE |
|---------------------|-----------------|------------------------------|
| FRONT ORIGINAL TIRE | P235/55R20 102T | 230 kPa, 33 PSI              |
| REAR ORIGINAL TIRE  | P235/55R20 102T | 230 kPa, 33 PSI              |



Example

### TIRE LABELING

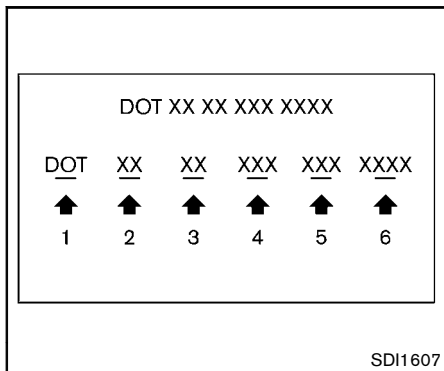
Federal law requires tire manufacturers to place standardized information on the sidewall of all tires. This information identifies and describes the fundamental characteristics of the tire and also provides the tire identification number (TIN) for safety standard certification. The TIN can be used to identify the tire in case of a recall.



Example

- ① Tire size (example: P215/60R16 94H)
1. P: The "P" indicates the tire is designed for passenger vehicles. (Not all tires have this information.)
2. Three-digit number (215): This number gives the width in millimeters of the tire from sidewall edge to sidewall edge.
3. Two-digit number (60): This number, known as the aspect ratio, gives the tire's ratio of height to width.
4. R: The "R" stands for radial.
5. Two-digit number (16): This number is the wheel or rim diameter in inches.

6. Two- or three-digit number (94): This number is the tire's load index. It is a measurement of how much weight each tire can support. You may not find this information on all tires because it is not required by law.
7. H: Tire speed rating. You should not drive the vehicle faster than the tire speed rating.



**Example**

- ② TIN (Tire Identification Number) for a new tire (example: DOT XX XX XXX XXXX)
  1. DOT: Abbreviation for the "Department of Transportation". The symbol can be placed above, below or to the left or right of the Tire Identification Number.
  2. Two-digit code: Manufacturer's identification mark
  3. Two-digit code: Tire size
  4. Three-digit code: Tire type code (Optional)

5. Three-digit code: Date of Manufacture
6. Four numbers represent the week and year the tire was built. For example, the numbers 3103 means the 31st week of 2003. If these numbers are missing, then look on the other sidewall of the tire.
- ③ Tire ply composition and material  
The number of layers or plies of rubber-coated fabric in the tire. Tire manufacturers also must indicate the materials in the tire, which include steel, nylon, polyester, and others.
- ④ Maximum permissible inflation pressure  
This number is the greatest amount of air pressure that should be put in the tire. Do not exceed the maximum permissible inflation pressure.
- ⑤ Maximum load rating  
This number indicates the maximum load in kilograms and pounds that can be carried by the tire. When replacing the tires on the vehicle, always use a tire that has the same load rating as the factory installed tire.

- ⑥ Term of “tubeless” or “tube type”  
Indicates whether the tire requires an inner tube (“tube type”) or not (“tubeless”).
- ⑦ The word “radial”  
The word “radial” is shown, if the tire has radial structure.
- ⑧ Manufacturer or brand name  
Manufacturer or brand name is shown.

#### **Other tire-related terminology:**

In addition to the many terms that are defined throughout this section, Intended Outboard Sidewall is (1) the sidewall that contains a whitewall, bears white lettering or bears manufacturer, brand and/or model name molding that is higher or deeper than the same molding on the other sidewall of the tire, or (2) the outward facing sidewall of an asymmetrical tire that has a particular side that must always face outward when mounted on a vehicle.

## TYPES OF TIRES



### **WARNING**

- **When changing or replacing tires, be sure all four tires are of the same type (Example: Summer, All Season or Snow) and construction. A NISSAN dealer may be able to help you with information about tire type, size, speed rating and availability.**
- **Replacement tires may have a lower speed rating than the factory equipped tires, and may not match the potential maximum vehicle speed. Never exceed the maximum speed rating of the tire.**
- **Replacing tires with those not originally specified by NISSAN could affect the proper operation of the TPMS.**
- **For additional information regarding tires, refer to “Important Tire Safety Information” (US) or “Tire Safety Information” (Canada) in the Warranty Information Booklet.**

### All season tires

NISSAN specifies all season tires on some models to provide good performance all year, including snowy and icy road conditions. All Season tires are identified by ALL SEASON and/or M&S (Mud and Snow) on the tire sidewall. Snow tires have better snow traction than All Season tires and may be more appropriate in some areas.

### Summer tires

NISSAN specifies summer tires on some models to provide superior performance on dry roads. Summer tire performance is substantially reduced in snow and ice. Summer tires do not have the tire traction rating M&S on the tire sidewall.

If you plan to operate your vehicle in snowy or icy conditions, NISSAN recommends the use of SNOW tires or ALL SEASON tires on all four wheels.

### Snow tires

If snow tires are needed, it is necessary to select tires equivalent in size and load rating to the original equipment tires. If you do not, it can adversely affect the safety and handling of your vehicle.

Generally, snow tires will have lower speed ratings than factory equipped tires and may not

match the potential maximum vehicle speed. Never exceed the maximum speed rating of the tire.

If you install snow tires, they must be the same size, brand, construction and tread pattern on all four wheels.

For additional traction on icy roads, studded tires may be used. However, some U.S. states and Canadian provinces prohibit their use. Check local, state and provincial laws before installing studded tires. Skid and traction capabilities of studded snow tires, on wet or dry surfaces, may be poorer than that of non-studded snow tires.

All-Wheel Drive (AWD) models

## CAUTION

- **Always use tires of the same type, size, brand, construction (bias, bias-belted or radial), and tread pattern on all four wheels. Failure to do so may result in a circumference difference between tires on the front and rear axles which will cause excessive tire wear and may damage the transmission, transfer case and differential gears.**

- **ONLY use spare tires specified for the AWD model.**

If excessive tire wear is found, it is recommended that all four tires be replaced with tires of the same size, brand, construction and tread pattern. The tire pressure and wheel alignment should also be checked and corrected as necessary. Contact a NISSAN dealer.

### TIRE CHAINS

Use of tire chains may be prohibited according to location. Check the local laws before installing tire chains. When installing tire chains, make sure they are the proper size for the tires on your vehicle and are installed according to the chain manufacturer's suggestions. **Use only SAE Class S chains.** Class "S" chains are used on vehicles with restricted tire to vehicle clearance. Vehicles that can use Class "S" chains are designed to meet the SAE standard minimum clearances between the tire and the closest vehicle suspension or body component required to accommodate the use of a winter traction device (tire chains or cables). The minimum clearances are determined using the factory equipped tire size. Other types may damage your vehicle. Use chain tensioners when recommended by the tire chain manufacturer to ensure a tight fit. Loose end links of the tire

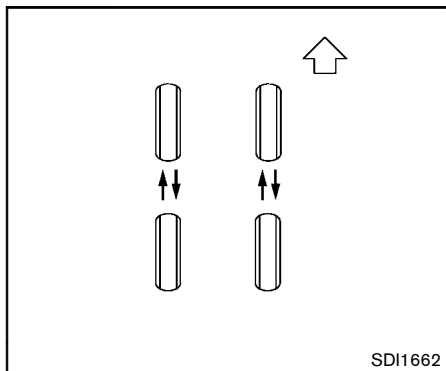
chain must be secured or removed to prevent the possibility of whipping action damage to the fenders or underbody. If possible, avoid fully loading your vehicle when using tire chains. In addition, drive at a reduced speed. Otherwise, your vehicle may be damaged and/or vehicle handling and performance may be adversely affected.

**Tire chains must be installed only on the front wheels and not on the rear wheels.**

Never install tire chains on a TEMPORARY USE ONLY spare tire.

Do not use tire chains on dry roads. Driving with tire chains in such conditions can cause damage to the various mechanisms of the vehicle due to some overstress.





## CHANGING WHEELS AND TIRES

### Tire rotation

NISSAN recommends rotating the tires every 7,500 miles (12,000 km). (See “Flat tire” in the “6. In case of emergency” section for tire replacing procedures.)

**As soon as possible, tighten the wheel nuts to the specified torque with a torque wrench.**

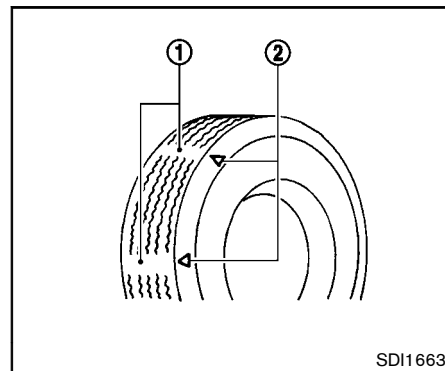
**Wheel nut tightening torque:  
80 ft-lb (108 N-m)**

**The wheel nuts must be kept tight-**

**tened to the specification at all times. It is recommended that wheel nuts be tightened to the specification at each tire rotation interval.**

### **WARNING**

- After rotating the tires, check and adjust the tire pressure.
- Retighten the wheel nuts when the vehicle has been driven for 600 miles (1,000 km) (also in cases of a flat tire, etc.).
- Do not include the spare tire or any other small size spare tire in the tire rotation.
- For additional information regarding tires, refer to “Important Tire Safety Information” (US) or “Tire Safety Information” (Canada) in the Warranty Information Booklet.



1. Wear indicator
2. Wear indicator location mark

### Tire wear and damage

### **WARNING**

- Tires should be periodically inspected for wear, cracking, bulging or objects caught in the tread. If excessive wear, cracks, bulging or deep cuts are found, the tire(s) should be replaced.

- **The original tires have built-in tread wear indicators. When wear indicators are visible, the tire(s) should be replaced.**
- **Tires degrade with age and use. Have tires, including the spare, over 6 years old checked by a qualified technician, because some tire damage may not be obvious. Replace the tires as necessary to prevent tire failure and possible personal injury.**
- **Improper service of the spare tire may result in serious personal injury. If it is necessary to repair the spare tire, contact a NISSAN dealer.**
- **For additional information regarding tires, refer to “Important Tire Safety Information” (US) or “Tire Safety Information” (Canada) in the Warranty Information Booklet.**

### Replacing wheels and tires

When replacing a tire, use the same size, tread design, speed rating and load carrying capacity as originally equipped. (See “Specifications” in the “9. Technical and consumer information” section for recommended types and sizes of tires and wheels.)



### WARNING

- **The use of tires other than those recommended or the mixed use of tires of different brands, construction (bias, bias-belted or radial), or tread patterns can adversely affect the ride, braking, handling, ground clearance, body-to-tire clearance, tire chain clearance, speedometer calibration, headlight aim and bumper height. Some of these effects may lead to accidents and could result in serious personal injury.**
- **For Two-Wheel Drive (2WD) models, if your vehicle was originally equipped with 4 tires that were the same size and you are only replacing 2 of the 4 tires, install the new tires on the rear axle. Placing new tires on the front axle may cause**

**loss of vehicle control in some driving conditions and cause an accident and personal injury.**

- **If the wheels are changed for any reason, always replace with wheels which have the same off-set dimension. Wheels of a different off-set could cause premature tire wear, degrade vehicle handling characteristics and/or interference with the brake discs/drums. Such interference can lead to decreased braking efficiency and/or early brake pad/shoe wear. See “Wheels and tires” in the “9. Technical and consumer information” section of this manual for wheel off-set dimensions.**
- **When a spare tire is mounted or a wheel is replaced, the TPMS will not function and the low tire pressure warning light will flash for approximately 1 minute. The light will remain on after 1 minute. Contact your NISSAN dealer as soon as possible for tire replacement and/or system resetting.**
- **Replacing tires with those not originally specified by NISSAN could affect the proper operation of the**

### TPMS.

- **Do not install a damaged or deformed wheel or tire even if it has been repaired. Such wheels or tires could have structural damage and could fail without warning.**
- **The use of retread tire is not recommended.**
- **For additional information regarding tires, refer to “Important Tire Safety Information” (US) or “Tire Safety Information” (Canada) in the Warranty Information Booklet.**



### CAUTION

**Always use tires of the same type, size, brand, construction (bias, bias-belted or radial), and tread pattern on all four wheels. Failure to do so may result in a circumference difference between tires on the front and rear axles which will cause excessive tire wear and may damage the transmission, transfer case and differential gears (AWD models).**

### Wheel balance

Unbalanced wheels may affect vehicle handling and tire life. Even with regular use, wheels can get out of balance. Therefore, they should be balanced as required.

**Wheel balance service should be performed with the wheels off the vehicle. Spin balancing the wheels on the vehicle could lead to mechanical damage.**

For additional information regarding tires, refer to “Important Tire Safety Information” (US) or “Tire Safety Information” (Canada) in the Warranty Information Booklet.

### Care of wheels

- Wash the wheels when washing the vehicle to maintain their appearance.
- Clean the inner side of the wheels when the wheel is changed or the underside of the vehicle is washed.
- Do not use abrasive cleaners when washing the wheels.
- Inspect wheel rims regularly for dents or corrosion. Such damage may cause loss of pressure or poor seal at the tire bead.
- NISSAN recommends that the road wheels be waxed to protect against road salt in areas where it is used during winter.

### Spare tire (if so equipped)

When a spare tire is mounted (TEMPORARY USE ONLY or conventional), the TPMS will not function.

Observe the following precautions if the TEMPORARY USE ONLY spare tire must be used, otherwise your vehicle could be damaged or involved in an accident.



### WARNING

- **The TEMPORARY USE ONLY spare tire should be used for emergency use. It should be replaced with the standard tire at the first opportunity to avoid possible tire or differential damage.**
- **Drive carefully while the TEMPORARY USE ONLY spare tire is installed. Avoid sharp turns and abrupt braking while driving.**
- **Periodically check spare tire inflation pressure. Always keep the pressure of the TEMPORARY USE ONLY spare tire at 60 psi (420 kPa, 4.2 bar). Always keep the pressure of the full size spare tire (if so equipped) at the recommended**

pressure for standard tires, as indicated on the Tire and Loading Information label.

- With the **TEMPORARY USE ONLY** spare tire installed do not drive your vehicle at speeds faster than 50 MPH (80 km/h).
- When driving on roads covered with snow or ice, the **TEMPORARY USE ONLY** spare tire should be used on the rear wheels and original tire used on the front wheels (drive wheels). Use tire chains only on the front (original) tires.
- Tire tread of the **TEMPORARY USE ONLY** spare tire will wear at a faster rate than the standard tire. Replace the spare tire as soon as the tread wear indicators appear.
- Do not use the spare tire on other vehicles.
- Do not use more than one spare tire at the same time.
- Do not tow a trailer while the **TEMPORARY USE ONLY** spare tire is installed.



## CAUTION

- Do not use tire chains on a **TEMPORARY USE ONLY** spare tire. Tire chains will not fit properly and may cause damage to the vehicle.
- Because the **TEMPORARY USE ONLY** spare tire is smaller than the original tire, ground clearance is reduced. To avoid damage to the vehicle, do not drive over obstacles. Also do not drive the vehicle through an automatic car wash since it may get caught.

### EMERGENCY TIRE PUNCTURE REPAIR KIT (if so equipped)

The emergency tire puncture repair kit (Emergency Tire Sealant) is supplied with the vehicle instead of a spare tire. It can be used to temporarily repair minor tire punctures.

If possible, have the vehicle towed to a facility that can repair or replace the flat tire. Using the emergency tire puncture repair kit may cause a malfunction of the tire pressure sensor and cause the low tire pressure warning light to illuminate.

See "Flat tire" in the "6. In case of emergency"

for more details.

**MEMO**

# 9 Technical and consumer information

|  |      |   |      |
|--|------|---|------|
| Capacities and recommended fuel/lubricants .....                           | 9-2  | Vehicle loading information .....   | 9-13 |
| Fuel recommendation .....  | 9-3  | Terms .....   | 9-13 |
| Engine oil and oil filter recommendation .....                             | 9-5  | Vehicle load capacity .....   | 9-13 |
| Air conditioning system refrigerant and<br>lubricant recommendations ..... | 9-6  | Securing the load (Hardtop models) .....                                    | 9-15 |
| Specifications .....   | 9-7  | Loading tips .....  | 9-16 |
| Engine .....   | 9-7  | Measurement of weights .....  | 9-16 |
| Wheels and tires .....   | 9-7  | Towing a trailer (Hardtop models) .....                                     | 9-16 |
| Dimensions and weights .....   | 9-8  | Maximum load limits .....   | 9-17 |
| When traveling or registering your vehicle in<br>another country .....     | 9-8  | Maximum Gross Vehicle Weight (GVW)/maximum<br>Gross Axle Weight (GAW) ..... | 9-18 |
| Vehicle identification .....   | 9-8  | Towing load/specification .....   | 9-21 |
| Vehicle Identification Number (VIN) plate .....                            | 9-8  | Towing safety .....   | 9-21 |
| Vehicle identification number (chassis number) .....                       | 9-9  | Flat towing .....   | 9-25 |
| Engine serial number .....   | 9-9  | Uniform tire quality grading .....  | 9-26 |
| F.M.V.S.S./C.M.V.S.S. certification label .....                            | 9-10 | Treadwear .....   | 9-26 |
| Emission control information label .....                                   | 9-10 | Traction AA, A, B and C .....   | 9-26 |
| Tire and Loading Information label .....                                   | 9-10 | Temperature A, B and C .....  | 9-26 |
| Air conditioner specification label .....                                  | 9-11 | Emission control system warranty .....                                      | 9-27 |
| Installing front license plate .....                                       | 9-12 | Reporting safety defects .....  | 9-27 |
|  |      | Readiness for Inspection/Maintenance (I/M) test .....                       | 9-28 |
|  |      | Event Data Recorders (EDR) .....  | 9-29 |
|  |      | Owner's Manual/Service Manual order information .....                       | 9-30 |

## CAPACITIES AND RECOMMENDED FUEL/LUBRICANTS

The following are approximate capacities. The actual refill capacities may be a little different. When refilling, follow the procedure instructed in the “8. Maintenance and do-it-yourself” section to determine the proper refill capacity.

|  | Capacity (Approximate)   |             |       | Recommended specifications  |
|--|--|-------------|-------|---|
|  | US measure   | Imp measure | Liter |   |
| Fuel   | 21-5/8 gal   | 18 gal      | 82    | See “Fuel recommendation” later in this section.  |
| Engine oil*1                                   |  |             |       |   |
| Drain and refill                               |  |             |       |   |
| With oil filter change                         | 4-7/8 qt   | 4 qt        | 4.6   | <ul style="list-style-type: none"> <li>• Engine oil with API Certification Mark*2, *3</li> <li>• Viscosity SAE 5W-30*2, *3</li> </ul> |
| Without oil filter change                      | 4-1/2 qt   | 3-3/4 qt    | 4.3   |   |
| Cooling system                                 |  |             |       |   |
| With reservoir                                 | 10 qt  | 8-1/4 qt    | 9.4   | Pre-diluted Genuine NISSAN Long Life Antifreeze/Coolant (Blue) or equivalent  |
| Reservoir                                      | 7/8 qt   | 3/4 qt      | 0.8   |   |
| Continuously Variable Transmission (CVT) fluid | —  | —           | —     | Genuine NISSAN CVT Fluid NS-3*4   |
| Differential gear oil                          | —  | —           | —     | Genuine NISSAN Differential Oil Hypoid Super GL-5 80W-90 or API GL-5 Viscosity SAE 80W-90*5   |
| Transfer oil                                   | —  | —           | —     | Genuine NISSAN Differential Oil Hypoid Super GL-5 80W-90 or API GL-5 Viscosity SAE 80W-90   |
| Power steering fluid (PSF)                     | Refill to the proper oil level according to the instructions in the “8. Maintenance and do-it-yourself” section. |             |       | Genuine NISSAN PSF or equivalent*6  |
| Brake fluid                                    | Maintenance and do-it-yourself” section.   |             |       | Genuine NISSAN Super Heavy Duty Brake Fluid*7 or equivalent DOT 3   |
| Multi-purpose grease                           | —  | —           | —     | NLGI No. 2 (Lithium soap base)  |
| Air conditioning system refrigerant            | —  | —           | —     | HFC-134a (R-134a)*8   |
| Air conditioning system lubricants             | —  | —           | —     | NISSAN A/C System Oil Type S or exact equivalent  |
| Window washer fluid                            | 1-1/4 gal  | 1 gal       | 4.5   | Genuine NISSAN Windshield Washer Concentrate Cleaner & Antifreeze or equivalent   |

\*1: For additional information, see “Engine oil” in the “8. Maintenance and do-it-yourself” section for changing engine oil.

\*2: For additional information, see “Engine oil and oil filter recommendation” later in this section.

\*3: NISSAN recommends Genuine NISSAN Ester Engine Oil available at a NISSAN dealer.

\*4: **Use only Genuine NISSAN CVT Fluid NS-3. Using transmission fluid other than Genuine NISSAN CVT Fluid NS-3 will damage the CVT, which is not covered by the NISSAN new vehicle limited warranty.**

\*5: For hot climates, viscosity SAE 90 is suitable for ambient temperatures above 32°F (0°C).

\*6: DEXRON™ VI type ATF may also be used.

\*7: Available in mainland U.S.A. through a NISSAN dealer.

\*8: For additional information, see “Vehicle identification” later in this section for air conditioner specification label.

## FUEL RECOMMENDATION

### Hardtop models

Use unleaded regular gasoline with an octane rating of at least 87 AKI (Anti-Knock Index) number (Research octane number 91).

### CrossCabriolet models

NISSAN recommends the use of unleaded premium gasoline with an octane rating of at least 91 AKI (Anti-Knock Index) number (Research octane number 96).

If unleaded premium gasoline is not available, you may use unleaded regular gasoline with an octane rating of at least 87 AKI number (Research octane number 91), but you may notice a decrease in performance.



## CAUTION

- **Using a fuel other than that specified could adversely affect the emission control system, and may also affect warranty coverage.**
- **Under no circumstances should a leaded gasoline be used, because this will damage the three-way catalyst.**

- **Do not use E-15 or E-85 fuel in your vehicle. Your vehicle is not designed to run on E-15 or E-85 fuel. Using E-15 or E-85 fuel in a vehicle not specifically designed for E-15 or E-85 fuel can adversely affect the emission control devices and systems of the vehicle. Damage caused by such fuel is not covered by the NISSAN new vehicle limited warranty.**
- **U.S. government regulations require ethanol dispensing pumps to be identified by a small, square, orange and black label with the common abbreviation or the appropriate percentage for that region.**

### Gasoline specifications

NISSAN recommends using gasoline that meets the World-Wide Fuel Charter (WWFC) specifications where it is available. Many of the automobile manufacturers developed this specification to improve emission control system and vehicle performance. Ask your service station manager if the gasoline meets the WWFC specifications.

### Reformulated gasoline

Some fuel suppliers are now producing reformulated gasolines. These gasolines are specially designed to reduce vehicle emissions. NISSAN supports efforts towards cleaner air and suggests that you use reformulated gasoline when available.

### Gasoline containing oxygenates

Some fuel suppliers sell gasoline containing oxygenates such as ethanol, MTBE and methanol with or without advertising their presence. NISSAN does not recommend the use of fuels of which the oxygenate content and the fuel compatibility for your NISSAN cannot be readily determined. If in doubt, ask your service station manager.

If you use oxygenate-blend gasoline, please take the following precautions as the usage of such fuels may cause vehicle performance problems and/or fuel system damage.

- **The fuel should be unleaded and have an octane rating no lower than that recommended for unleaded gasoline.**
- **If an oxygenate-blend, excepting a methanol blend, is used, it should contain no more than 10% oxygenate. (MTBE may, however, be added up to 15%.)**



- **E-15 fuel contains more than 10% oxygenate. E-15 fuel will adversely affect the emission control devices and systems of the vehicle and should not be used. Damage caused by such fuel is not covered by the NISSAN new vehicle limited warranty.**
- **If a methanol blend is used, it should contain no more than 5% methanol (methyl alcohol, wood alcohol). It should also contain a suitable amount of appropriate cosolvents and corrosion inhibitors. If not properly formulated with appropriate cosolvents and corrosion inhibitors, such methanol blends may cause fuel system damage and/or vehicle performance problems. At this time, sufficient data is not available to ensure that all methanol blends are suitable for use in NISSAN vehicles.**

If any driveability problems such as engine stalling and difficult hot-starting are experienced after using oxygenate-blend fuels, immediately change to a non-oxygenate fuel or a fuel with a low blend of MTBE.

**Take care not to spill gasoline during refueling. Gasoline containing oxygenates can cause paint damage.**

#### E-15 fuel

E-15 fuel is a mixture of approximately 15% fuel ethanol and 85% unleaded gasoline. E-15 can only be used in vehicles designed to run on E-15 fuel. Do not use E-15 in your vehicle. U.S. government regulations require fuel ethanol dispensing pumps to be identified with small, square, orange and black label with the common abbreviation or the appropriate percentage for that region.

#### E-85 fuel

E-85 fuel is a mixture of approximately 85% fuel ethanol and 15% unleaded gasoline. E-85 can only be used in a Flexible Fuel Vehicle (FFV). Do not use E-85 fuel in your vehicle. U.S. government regulations require fuel ethanol dispensing pumps to be identified by a small, square, orange and black label with the common abbreviation or the appropriate percentage for that region.

#### Aftermarket fuel additives

NISSAN does not recommend the use of any aftermarket fuel additives (for example, fuel injector cleaner, octane booster, intake valve deposit removers, etc.) which are sold commercially. Many of these additives intended for gum, varnish or deposit removal may contain active solvent or similar ingredients that can be harmful

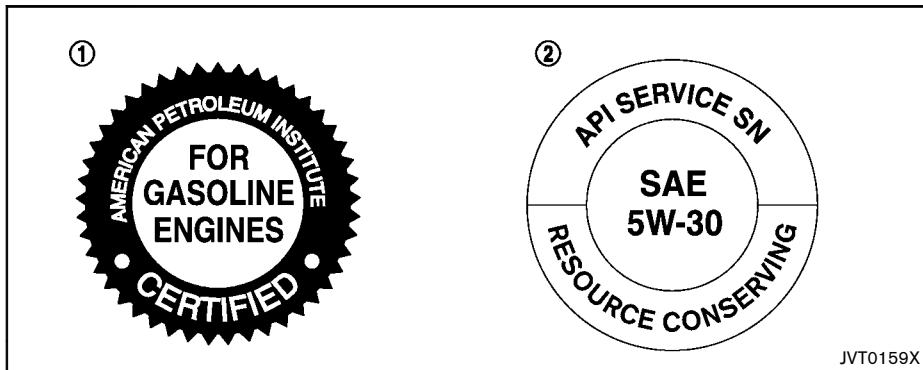
to the fuel system and engine.

#### Octane rating tips

**Using unleaded gasoline with an octane rating lower than recommended can cause persistent, heavy “spark knock”. (Spark knock is a metallic rapping noise.) If severe, this can lead to engine damage. If you detect a persistent heavy spark knock even when using gasoline of the stated octane rating, or if you hear steady spark knock while holding a steady speed on level roads, have a NISSAN dealer correct the condition. Failure to correct the condition is misuse of the vehicle, for which NISSAN is not responsible.**

Incorrect ignition timing will result in spark knock, after-run and/or overheating, which may cause excessive fuel consumption or engine damage. If any of the above symptoms are encountered, have your vehicle checked at a NISSAN dealer.

**However, now and then you may notice light spark knock for a short time while accelerating or driving up hills. This is not a cause for concern, because you get the greatest fuel benefit when there is light spark knock for a short time under heavy engine load.**



1. API certification mark
2. API service symbol

## ENGINE OIL AND OIL FILTER RECOMMENDATION

### Selecting the correct oil

It is essential to choose the correct grade, quality, and viscosity engine oil to ensure satisfactory engine life and performance, see “Capacities and recommended fuel/lubricants” earlier in this section. NISSAN recommends the use of an energy conserving oil in order to improve fuel economy.

Select only engine oils that meet the American Petroleum Institute (API) certification or Interna-

tional Lubricant Standardization and Approval Committee (ILSAC) certification and SAE viscosity standard. These oils have the API certification mark on the front of the container. Oils which do not have the specified quality label should not be used as they could cause engine damage.

### Oil additives

NISSAN does not recommend the use of oil additives. The use of an oil additive is not necessary when the proper oil type is used and maintenance intervals are followed.

Oil which may contain foreign matter or has been previously used should not be used.

### Oil viscosity

The engine oil viscosity or thickness changes with temperature. Because of this, it is important to select the engine oil viscosity based on the temperatures at which the vehicle will be operated before the next oil change. Choosing an oil viscosity other than that recommended could cause serious engine damage.

### Selecting the correct oil filter

Your new NISSAN vehicle is equipped with a high-quality genuine NISSAN oil filter. When replacing, use a genuine NISSAN oil filter or its equivalent for the reason described in “Change intervals”.

### Change intervals

The oil and oil filter change intervals for your engine are based on the use of the specified quality oils and filters. Using an engine oil and filter other than the specified quality, or exceeding recommended oil and filter change intervals could reduce engine life. Damage to the engine caused by improper maintenance or use of incorrect oil and filter quality and/or viscosity is not covered by the NISSAN new vehicle limited warranty.

Your engine was filled with a high quality engine oil when it was built. You do not have to change the oil before the first recommended change

interval. Oil and filter change intervals depend upon how you use your vehicle.

Operation under the following conditions may require more frequent oil and filter changes.

- repeated short distance driving at cold outside temperatures
- driving in dusty conditions
- extensive idling
- towing a trailer
- stop and go commuting

Refer to the "NISSAN Service and Maintenance Guide" for the maintenance schedule.

#### AIR CONDITIONING SYSTEM REFRIGERANT AND LUBRICANT RECOMMENDATIONS

**The air conditioning system in your NISSAN vehicle must be charged with the refrigerant HFC-134a (R-134a) and the oil, NISSAN A/C system oil Type S or the exact equivalents.**



#### **CAUTION**

**The use of any other refrigerant or oil will cause severe damage to the air conditioning system and will require the replacement of all air conditioner**

#### **system components.**

The refrigerant HFC-134a (R-134a) in your NISSAN vehicle will not harm the earth's ozone layer. Although this refrigerant does not affect the earth's atmosphere, certain governmental regulations require the recovery and recycling of any refrigerant during automotive air conditioning system service. A NISSAN dealer has the trained technicians and equipment needed to recover and recycle your air conditioning system refrigerant.

Contact a NISSAN dealer when servicing your air conditioning system.

## SPECIFICATIONS

### ENGINE

|                            |                              |                             |
|----------------------------|------------------------------|-----------------------------|
| Model                      | VQ35DE                       |                             |
| Type                       | Gasoline, 4-cycle            |                             |
| Cylinder arrangement       | 6-cylinder, V-slanted at 60° |                             |
| Bore × Stroke              | in (mm)                      | 3.760 × 3.205 (95.5 × 81.4) |
| Displacement               | cu in (cm <sup>3</sup> )     | 213.45 (3,498)              |
| Firing order               | 1-2-3-4-5-6                  |                             |
| Idle speed                 | rpm                          | No adjustment is necessary. |
| Ignition timing (B.T.D.C.) | degree/rpm                   |                             |
| Spark plug                 | Standard                     | FXE22HR-11                  |
| Spark plug gap (Normal)    | in (mm)                      | 0.043 (1.1)                 |
| Camshaft operation         | Timing chain                 |                             |

**This spark ignition system complies with the Canadian standard ICES-002.**

### WHEELS AND TIRES

#### Road wheel

| Type         | Size        | Offset in (mm) |
|--------------|-------------|----------------|
| Conventional | 18 × 7-1/2J | 1.97 (50)      |
|              | 20 × 7-1/2J | 1.97 (50)      |
| Spare        | 18 × 4T     | 0.98 (25)      |

#### Tire

| Type           | Size               | Pressure PSI (kPa) [Cold] |
|----------------|--------------------|---------------------------|
| Conventional   | P235/65R18<br>104T | 33 (230)                  |
|                | P235/55R20<br>102T |                           |
|                | T165/90D18<br>107M |                           |
| Spare (T-type) |                    | 60 (420)                  |
| - *1           |                    |                           |

\*1: CrossCabriolet models (Emergency tire repair kit)

## DIMENSIONS AND WEIGHTS

|                             |         |   |
|-----------------------------|---------|---|
| Overall length              | in (mm) | 189.9 (4,822)*1<br>190.1 (4,828)*2  |
| Overall width               | in (mm) | 74.1 (1,883)*1<br>74.5 (1,893)*2  |
| Overall height              | in (mm) | 67.0 (1,703)*1<br>68.0 (1,728)*1, *3<br>66.2 (1,681)*2                                  |
| Front tread                 | in (mm) | 63.4 (1,610)  |
| Rear tread                  | in (mm) | 63.4 (1,610)  |
| Wheelbase                   | in (mm) | 111.2 (2,825)   |
| Gross vehicle weight rating | lb (kg) | See the F.M.V.S.S.<br>/C.M.V.S.S. certification label on the driver's side lock pillar. |
| Gross axle weight rating    |         |   |
| Front                       | lb (kg) |   |
| Rear                        | lb (kg) |   |

\*1:Hardtop models

\*2:CrossCabriolet models

\*3:With roof rack rail

## WHEN TRAVELING OR REGISTERING YOUR VEHICLE IN ANOTHER COUNTRY

**When planning to travel in another country**, you should first find out if the fuel available is suitable for your vehicle's engine.

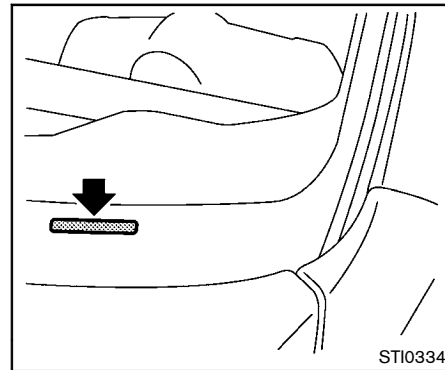
Using fuel with an octane rating that is too low may cause engine damage. All gasoline vehicles must be operated with unleaded gasoline. Therefore, avoid taking your vehicle to areas where appropriate fuel is not available.

**When transferring the registration of your vehicle to another country, state, province or district**, it may be necessary to modify the vehicle to meet local laws and regulations.

The laws and regulations for motor vehicle emission control and safety standards vary according to the country, state, province or district; therefore, vehicle specifications may differ.

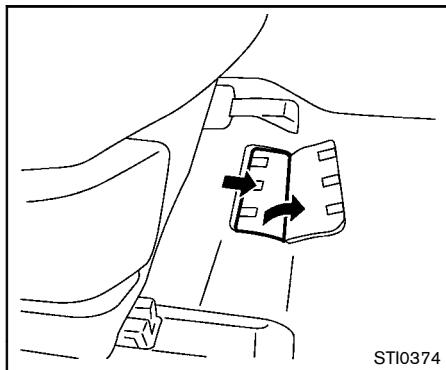
**When any vehicle is to be taken into another country, state, province and registered, its modifications, transportation, and registration are the responsibility of the user. NISSAN is not responsible for any inconvenience that may result.**

## VEHICLE IDENTIFICATION



## VEHICLE IDENTIFICATION NUMBER (VIN) PLATE

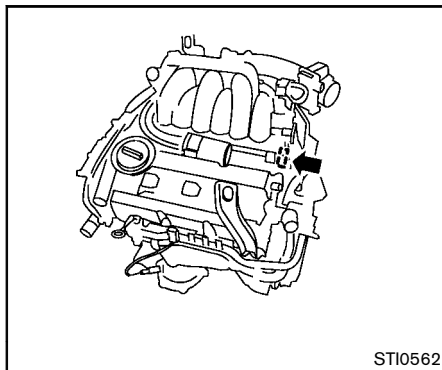
The vehicle identification number plate is attached as shown. This number is the identification for your vehicle and is used in the vehicle registration.



### VEHICLE IDENTIFICATION NUMBER (chassis number)

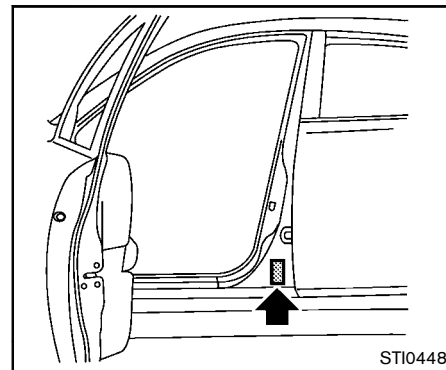
The vehicle identification number is located as shown.

Remove the cover to access the number.

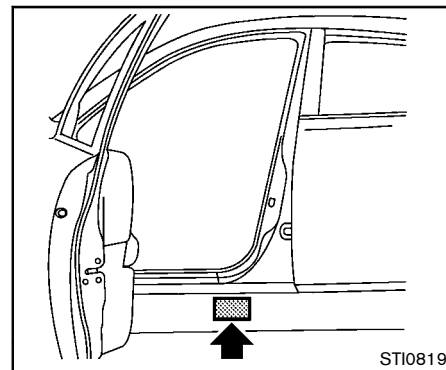


### ENGINE SERIAL NUMBER

The number is stamped on the engine as shown.



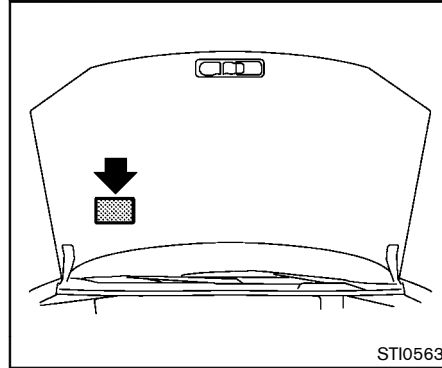
**Hardtop models**



**CrossCabriolet models**

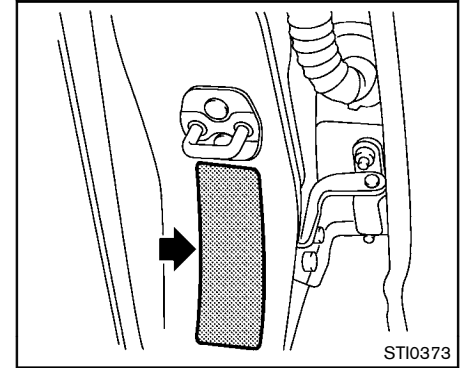
### F.M.V.S.S./C.M.V.S.S. CERTIFICATION LABEL

The Federal/Canadian Motor Vehicle Safety Standards (F.M.V.S.S./C.M.V.S.S.) certification label is affixed as shown. This label contains valuable vehicle information, such as: Gross Vehicle Weight Ratings (GVWR), Gross Axle Weight Rating (GAWR), month and year of manufacture, Vehicle Identification Number (VIN), etc. Review it carefully.



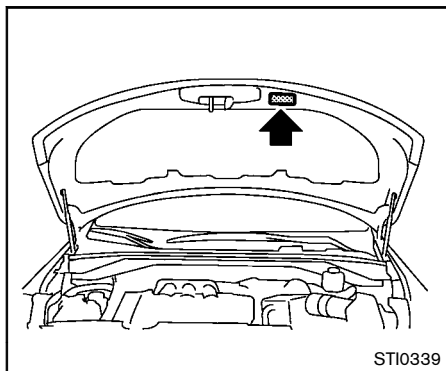
### EMISSION CONTROL INFORMATION LABEL

The emission control information label is attached to the underside of the hood as shown.



### TIRE AND LOADING INFORMATION LABEL

The cold tire pressure is shown on the Tire and Loading Information label affixed to the pillar as illustrated.

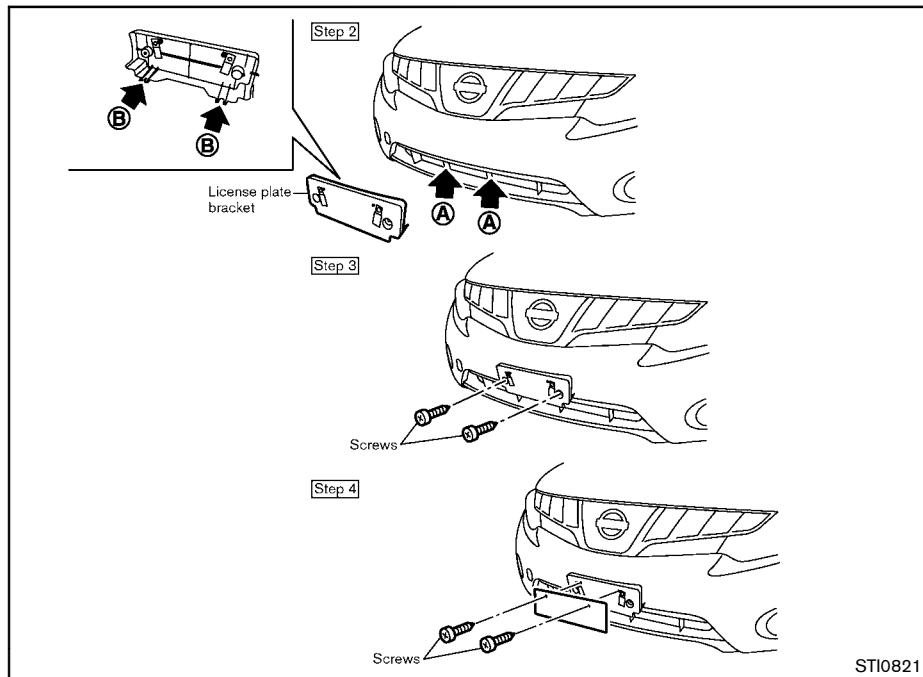


## AIR CONDITIONER SPECIFICATION LABEL

The air conditioner specification label is attached as shown.



## INSTALLING FRONT LICENSE PLATE



Use the following steps to mount the license plate:

Before mounting the license plate, confirm that the following parts are enclosed in the plastic bag.

- License plate bracket
  - Screw × 2
1. Park the vehicle on flat, level ground.
  2. Line up the tabs **(B)** on the license plate bracket under the top of the front bumper **(A)**. Hold the license plate bracket in place.
  3. Install the license plate bracket with screws.
  4. Install the license plate with screws (sold separately).

Use a screw of 1/4 inch (6mm) in diameter and approximately 3/4 inch (20mm) in length.

## VEHICLE LOADING INFORMATION



### WARNING

- **It is extremely dangerous to ride in a cargo area inside the vehicle. In a collision, people riding in these areas are more likely to be seriously injured or killed.**
- **Do not allow people to ride in any area of your vehicle that is not equipped with seats and seat belts.**
- **Be sure everyone in your vehicle is in a seat and using a seat belt properly.**

### TERMS

It is important to familiarize yourself with the following terms before loading your vehicle:

- **Curb Weight** (actual weight of your vehicle) - vehicle weight including: standard and optional equipment, fluids, emergency tools, and spare tire assembly. This weight **does not** include passengers and cargo.

- **GVW** (Gross Vehicle Weight) - curb weight plus the combined weight of passengers and cargo.
- **GVWR** (Gross Vehicle Weight Rating) - maximum total combined weight of the unloaded vehicle, passengers, luggage, hitch, trailer tongue load and any other optional equipment. This information is located on the F.M.V.S.S./C.M.V.S.S. label.
- **GAWR** (Gross Axle Weight Rating) - maximum weight (load) limit specified for the front or rear axle. This information is located on the F.M.V.S.S./C.M.V.S.S. label.
- **GCWR** (Gross Combined Weight Rating) - The maximum total weight rating of the vehicle, passengers, cargo, and trailer.
- **Vehicle Capacity Weight, Load limit, Total load capacity** - maximum total weight limit specified of the load (passengers and cargo) for the vehicle. This is the maximum combined weight of occupants and cargo that can be loaded into the vehicle. If the vehicle is

used to tow a trailer, the trailer tongue weight must be included as part of the cargo load. This information is located on the Tire and Loading Information label.

- **Cargo capacity** - permissible weight of cargo, the subtracted weight of occupants from the load limit.

### VEHICLE LOAD CAPACITY

Do not exceed the load limit of your vehicle shown as “The combined weight of occupants and cargo” on the Tire and Loading Information label. Do not exceed the number of occupants shown as “Seating Capacity” on the Tire and Loading Information label.

To get “the combined weight of occupants and cargo”, add the weight of all occupants, then add the total luggage weight. Examples are shown in the following illustration.

Example

$$\begin{array}{l} \text{Load limit} \\ 1,400 \text{ lb} \\ (640 \text{ kg}) \end{array} - \left( \begin{array}{l} \text{Occupants} \\ \text{Luggage} \\ \text{Trailer Tongue} \\ \text{Weight} \end{array} \right) = \begin{array}{l} \text{Remaining available} \\ \text{cargo and luggage} \\ \text{load capacity} = \\ 740 \text{ lb} \\ (336 \text{ kg}) \end{array}$$

$150 \text{ lb} \times 2 = 300 \text{ lb}$     $30 \text{ lb} \times 2 = 60 \text{ lb}$     $300 \text{ lb}$   
(70 kg)   (135 kg)   (14 kg)   (27 kg)   (135 kg)

$$\begin{array}{l} \text{Load limit} \\ 1,400 \text{ lb} \\ (640 \text{ kg}) \end{array} - \left( \begin{array}{l} \text{Occupants} \\ \text{Luggage} \end{array} \right) = \begin{array}{l} \text{Remaining available} \\ \text{cargo and luggage} \\ \text{load capacity} = \\ 1,040 \text{ lb} \\ (472 \text{ kg}) \end{array}$$

$150 \text{ lb} \times 2 = 300 \text{ lb}$     $30 \text{ lb} \times 2 = 60 \text{ lb}$   
(70 kg)   (135 kg)   (14 kg)   (27 kg)

$$\begin{array}{l} \text{Load limit} \\ 1,400 \text{ lb} \\ (640 \text{ kg}) \end{array} - \left( \begin{array}{l} \text{Occupants} \\ \text{Luggage} \end{array} \right) = \begin{array}{l} \text{Remaining available} \\ \text{cargo and luggage} \\ \text{load capacity} = \\ 500 \text{ lb} \\ (227 \text{ kg}) \end{array}$$

$150 \text{ lb} \times 5 = 750 \text{ lb}$     $30 \text{ lb} \times 5 = 150 \text{ lb}$   
(70 kg)   (340 kg)   (14 kg)   (70 kg)

ST10445

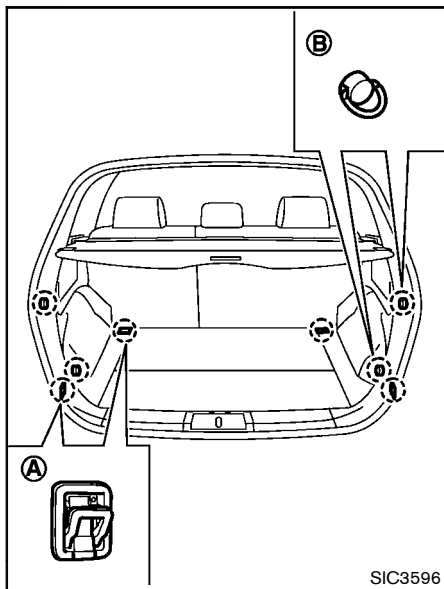
Steps for determining correct load limit

1. Locate the statement "The combined weight of occupants and cargo should never exceed XXX kg or XXX lbs" on your vehicle's placard.
2. Determine the combined weight of the driver and passengers that will be riding in your vehicle.
3. Subtract the combined weight of the driver and passengers from XXX kg or XXX lbs.
4. The resulting figure equals the available amount of cargo and luggage load capacity. For example, if the XXX amount equals 1400 lbs. and there will be five 150 lb. passengers in your vehicle, the amount of available cargo and luggage load capacity is 650 lbs. (1400 - 750 (5 x 150) = 650 lbs) or (640 - 340 (5 x 70) = 300 kg.)
5. Determine the combined weight of luggage and cargo being loaded on the vehicle. That weight may not safely exceed the available cargo and luggage load capacity calculated in Step 4.

6. If your vehicle will be towing a trailer, load from your trailer will be transferred to your vehicle. Consult this manual to determine how this reduces the available cargo and luggage load capacity of your vehicle.

Before driving a loaded vehicle, confirm that you do not exceed the Gross Vehicle Weight Rating (GVWR) or the Gross Axle Weight Rating (GAWR) for your vehicle. (See “Measurement of weights” later in this section.)

Also check tires for proper inflation pressures. See the Tire and Loading Information label.



### SECURING THE LOAD (Hardtop models)

There are tie down hooks located in the cargo area as shown. The tie down hooks can be used to secure cargo with ropes or other types of straps.

**Do not apply a total load of more than 22**

**lb. (98 N) to a single hook (A) or 7 lb. (31 N) to a single hook (B) when securing cargo.**

### **WARNING**

- Properly secure all cargo with ropes or straps to help prevent it from sliding or shifting. Do not place cargo higher than the seatbacks. In a sudden stop or collision, unsecured cargo could cause personal injury.
- The child restraint top tether strap may be damaged by contact with items in the cargo area. Secure any items in the cargo area. Your child could be seriously injured or killed in a collision if the top tether strap is damaged.
- Do not load your vehicle any heavier than the GVWR or the maximum front and rear GAWRs. If you do, parts of your vehicle can break, tire damage could occur, or it can change the way your vehicle handles. This could result in loss of control and cause personal injury.

## LOADING TIPS

- The GVW must not exceed GVWR or GAWR as specified on the F.M.V.S.S./C.M.V.S.S. certification label.
- Do not load the front and rear axle to the GAWR. Doing so will exceed the GVWR.

### WARNING

- Properly secure all cargo with ropes or straps to help prevent it from sliding or shifting. Do not place cargo higher than the seatbacks. In a sudden stop or collision, unsecured cargo could cause personal injury.
- Do not load your vehicle any heavier than the GVWR or the maximum front and rear GAWRs. If you do, parts of your vehicle can break, tire damage could occur, or it can change the way your vehicle handles. This could result in loss of control and cause personal injury.

- **Overloading not only can shorten the life of your vehicle and the tire, but can cause unsafe vehicle handling and longer braking distances. This may cause a premature tire failure, which could result in a serious accident and personal injury. Failures caused by overloading are not covered by the vehicle's warranty.**

## MEASUREMENT OF WEIGHTS

Secure loose items to prevent weight shifts that could affect the balance of your vehicle. When the vehicle is loaded, drive to a scale and weigh the front and the rear wheels separately to determine axle loads. Individual axle loads should not exceed either of the Gross Axle Weight Ratings (GAWR). The total of the axle loads should not exceed the Gross Vehicle Weight Rating (GVWR). These ratings are given on the vehicle certification label. If weight ratings are exceeded, move or remove items to bring all weights below the ratings.

## TOWING A TRAILER (Hardtop models)

### WARNING

Overloading or improper loading of a trailer and its cargo can adversely affect vehicle handling, braking and performance and may lead to accidents.

### CAUTION

- Do not tow a trailer or haul a heavy load for the first 500 miles (800 km). Your engine, axle or other parts could be damaged.
- For the first 500 miles (800 km) that you tow a trailer, do not drive over 50 MPH (80 km/h) and do not make starts at full throttle. This helps the engine and other parts of your vehicle wear in at the heavier loads.

Your new vehicle was designed to be used primarily to carry passengers and cargo. Remember that towing a trailer places additional loads on your vehicle's engine, drivetrain, steering, braking and other systems.

A NISSAN Towing Guide (U.S. only) is available on the website at [www.nissanusa.com](http://www.nissanusa.com). This

guide includes information on trailer towing capability and the special equipment required for proper towing.

#### **CrossCabriolet models:**

**Do not tow a trailer with your vehicle.**

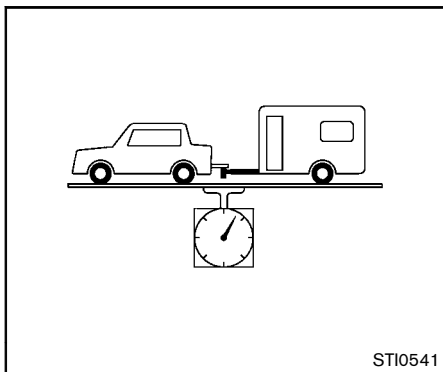
#### **MAXIMUM LOAD LIMITS**

##### **Maximum trailer loads**

Never allow the total trailer load to exceed the value specified in the "Towing Load/Specification" chart. The total trailer load equals trailer weight plus its cargo weight.

- **When towing a trailer load of 1,000 lbs (454 kg) or more, trailers with a brake system MUST be used.**

The maximum GCWR (Gross Combined Weight Rating) should not exceed the value specified in the following "Towing Load/Specification" chart.



The GCWR equals the combined weight of the towing vehicle (including passengers and cargo) plus the total trailer load. Towing loads greater than these or using improper towing equipment could adversely affect vehicle handling, braking and performance.

The ability of your vehicle to tow a trailer is not only related to the maximum trailer loads, but also the places you plan to tow. Tow weights appropriate for level highway driving may have to be reduced on very steep grades or for low traction situations (for example, on slippery boat ramps).

Temperature conditions can also affect towing. For example, towing a heavy trailer in high

outside temperatures on graded roads can affect engine performance and cause overheating. The transmission high fluid temperature protection mode, which helps reduce the chance of transmission damage, could activate and automatically decrease engine power. Vehicle speed may decrease under high load. Plan your trip carefully to account for trailer and vehicle load, weather and road conditions.



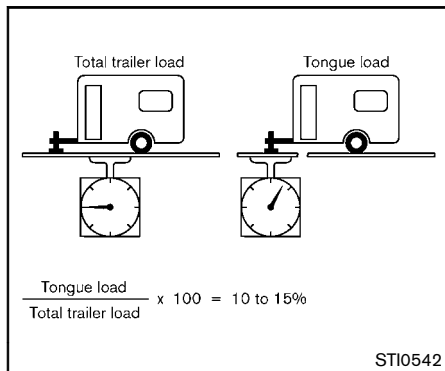
#### **WARNING**

**Overheating can result in reduced engine power and vehicle speed. The reduced speed may be lower than other traffic, which could increase the chance of a collision. Be especially careful when driving. If the vehicle cannot maintain a safe driving speed, pull to the side of the road in a safe area. Allow the engine to cool and return to normal operation. See "If your vehicle overheats" in the "6. In case of emergency" section of this manual.**



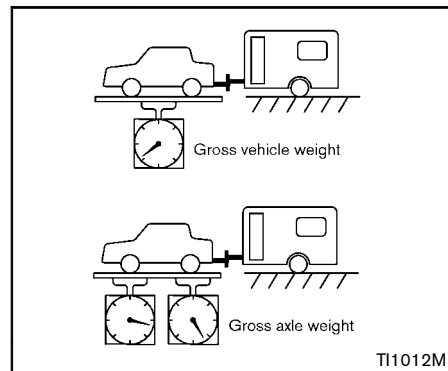
## CAUTION

Vehicle damage resulting from improper towing procedures are not covered by NISSAN warranties.



### Tongue load

When using a weight carrying or a weight distributing hitch, keep the tongue load between 10 to 15% of the total trailer load within the maximum tongue load limits shown in the following "Towing Load/Specification" chart. If the tongue load becomes excessive, rearrange cargo to allow for proper tongue load.



### MAXIMUM GROSS VEHICLE WEIGHT (GVW)/MAXIMUM GROSS AXLE WEIGHT (GAW)

The GVW of the towing vehicle must not exceed the Gross Vehicle Weight Rating (GVWR) shown on the F.M.V.S.S./C.M.V.S.S. certification label. The GVW equals the combined weight of the unloaded vehicle, passengers, luggage, hitch, trailer tongue load and any other optional equipment. In addition, front or rear GAW must not exceed the Gross Axle Weight Rating (GAWR) shown on the F.M.V.S.S./C.M.V.S.S. certification label.

Towing capacities are calculated assuming a base vehicle with driver and any options

required to achieve the rating. Additional passengers, cargo and/or optional equipment, such as the trailer hitch, will add weight to the vehicle and reduce your vehicle's maximum towing capacity and trailer tongue load.

The vehicle and trailer need to be weighed to confirm the vehicle is within the GVWR, Front GAWR, Rear GAWR, Gross Combined Weight Rating (GCWR) and Towing capacity.

All vehicle and trailer weights can be measured using platform type scales commonly found at truck stops, highway weigh stations, building supply centers or salvage yards.

To determine the available payload capacity for tongue load, use the following procedure.

1. Locate the GVWR on the F.M.V.S.S./C.M.V.S.S. certification label.
2. Weigh your vehicle on the scale with all of the passengers and cargo that are normally in the vehicle when towing a trailer.
3. Subtract the actual vehicle weight from the GVWR. The remaining amount is the available maximum tongue load.

To determine the available towing capacity, use the following procedure.

1. Find the GCWR for your vehicle on the "Towing Load/Specification" chart found later in this section.

2. Subtract the actual vehicle weight from the GCWR. The remaining amount is the available maximum towing capacity.

To determine the Gross Trailer Weight, weigh your trailer on a scale with all equipment and cargo, that are normally in the trailer when it is towed. Make sure the Gross trailer weight is not more than the Gross Trailer Weight Rating shown on the trailer and is not more than the calculated available maximum towing capacity.

Also weigh the front and rear axles on the scale to make sure the Front Gross Axle Weight and Rear Gross Axle Weight are not more than Front Gross Axle Weight and Rear Gross Axle Weight on the F.M.V.S.S./C.M.V.S.S. certification label. The cargo in the trailer and vehicle may need to be moved or removed to meet the specified ratings.

Example:

- Gross Vehicle Weight (GVW) as weighed on a scale - including passengers, cargo and hitch - 4,926 lb. (2,234 kg).
- Gross Vehicle Weight Rating (GVWR) from F.M.V.S.S./C.M.V.S.S. certification label - 5,263 lb. (2,387 kg).
- Gross Combined Weight Rating (GCWR) from "Towing Load/Specification" chart - 8,300 lb. (3,765 kg).

- Maximum Trailer towing capacity from "Towing Load/Specification" chart - 3,500 lb. (1,588 kg).

|                        |                               |
|------------------------|-------------------------------|
| 5,263 lb. (2,387 kg)   | GVWR                          |
| - 4,926 lb. (2,234 kg) | GVW                           |
| = 337 lb. (152 kg)     | Available for tongue weight   |
|                        |                               |
| 8,300 lb. (3,765 kg)   | GCWR                          |
| - 4,926 lb. (2,234 kg) | GVW                           |
| = 3,374 lb. (1,530 kg) | Capacity available for towing |
|                        |                               |
| 337 lb. (152 kg) /     | Available tongue weight       |
| 3,374 lb. (1,530 kg)   | Available capacity            |
|                        | = 10 % tongue weight          |

The available towing capacity may be less than the maximum towing capacity due to the passenger and cargo load in the vehicle.

Remember to keep trailer tongue weight between 10 to 15% of the trailer weight. If the tongue load becomes excessive, rearrange the cargo to obtain the proper tongue load. Do not exceed the 10 to 15% tongue weight specification even if the calculated available tongue weight is greater than 15%. If the calculated tongue weight is less than 10%, reduce the total trailer weight to match the available tongue weight.



Always verify that available capacities are within the required ratings.

## TOWING LOAD/SPECIFICATION

| TOWING LOAD/SPECIFICATION CHART |       | Unit: lb (kg)             |
|---------------------------------|-------|---------------------------|
| WEIGHT                          | MODEL | VQ35DE                    |
|                                 |       | CVT                       |
| MAXIMUM TRAILER WEIGHT*1        |       | 3,500 (1,588)             |
| MAXIMUM TONGUE LOAD             |       | 350 (159)                 |
| GROSS COMBINED WEIGHT RATING    |       | 8,300 (3,765)             |
| RECOMMENDED EQUIPMENT*2         |       | Sway Control Device (SCD) |

- 1: All towing above 1,000 lb (454 kg) requires the use of trailer brakes. NISSAN recommends the use of a tandem axle trailer whenever towing above 3,000 lb (1,361 kg).
- 2: A sway control device is recommended for all towing above 2,000 lb (907 kg). Sway control devices are not offered by NISSAN. See a professional trailer/hitch outlet for a properly designed sway control device for your trailer.

## TOWING SAFETY

### Trailer hitch

Choose a proper hitch for your vehicle and trailer. A genuine NISSAN trailer hitch is available from a NISSAN dealer. Make sure the trailer hitch is securely attached to the vehicle to help avoid personal injury or property damage due to sway caused by crosswinds, rough road surfaces or passing trucks.



### WARNING

**Trailer hitch components have specific weight ratings. Your vehicle may be capable of towing a trailer heavier than the weight rating of the hitch components. Never exceed the weight rating of the hitch components. Doing so can cause serious personal injury or property damage.**

### Hitch ball

Choose a hitch ball of the proper size and weight rating for your trailer:

- The required hitch ball size is stamped on most trailer couplers. Most hitch balls also have the size printed on top of the ball.

- Choose the proper class hitch ball based on the trailer weight.
- The diameter of the threaded shank of the hitch ball must be matched to the ball mount hole diameter. The hitch ball shank should be no more than 1/16" smaller than the hole in the ball mount.
- The threaded shank of the hitch ball must be long enough to be properly secured to the ball mount. There should be at least 2 threads showing beyond the lock washer and nut.

### Sway control device

Sudden maneuvers, wind gusts and buffeting caused by other vehicles can affect trailer handling. Sway control devices may be used to help control these affects. If you choose to use one, contact a reputable trailer hitch supplier to make sure the sway control device will work with the vehicle, hitch, trailer and the trailer's brake system. Follow the instructions provided by the manufacturer for installing and using the sway control device.

### Class I hitch

Class I trailer hitch equipment (receiver, ball mount and hitch ball) can be used to tow trailers of a maximum weight of 2,000 lb (907 kg).

### Class II hitch

Class II trailer hitch equipment (receiver, ball mount and hitch ball) can be used to tow trailers of a maximum weight of 3,500 lb (1,588 kg).



## CAUTION

- **Special hitches which include frame reinforcements are required for towing above 2,000 lb (907 kg). Suitable genuine NISSAN hitches for pickup trucks and sport utility vehicles are available at a NISSAN dealer.**
- **The hitch should not be attached to or affect the operation of the impact-absorbing bumper.**
- **Do not use axle-mounted hitches.**
- **Do not modify the vehicle exhaust system, brake system, etc. to install a trailer hitch.**
- **To reduce the possibility of additional damage if your vehicle is struck from the rear, where practi-**

**cal, remove the hitch and/or receiver when not in use. After the hitch is removed, seal the bolt holes to prevent exhaust fumes, water or dust from entering the passenger compartment.**

- **Regularly check that all trailer hitch mounting bolts are securely mounted.**

### Tire pressures

- When towing a trailer, inflate the vehicle tires to the recommended cold tire pressure indicated on the Tire and Loading Information label.
- Trailer tire condition, size, load rating and proper inflation pressure should be in accordance with the trailer and tire manufacturers' specifications.

### Safety chains

Always use a suitable chain between your vehicle and the trailer. The safety chains should be crossed and should be attached to the hitch, not to the vehicle bumper or axle. The safety chains can be attached to the bumper if the hitch ball is mounted to the bumper. Be sure to leave enough slack in the chains to permit

turning corners.

## Trailer lights



### CAUTION

**When splicing into the vehicle electrical system, a commercially available power-type module/converter must be used to provide power for all trailer lighting. This unit uses the vehicle battery as a direct power source for all trailer lights while using the vehicle tail light, stoplight and turn signal circuits as a signal source. The module/converter must draw no more than 15 milliamps from the stop and tail lamp circuits. Using a module/converter that exceeds these power requirements may damage the vehicle's electrical system. See a reputable trailer dealer to obtain the proper equipment and to have it installed.**

Trailer lights should comply with federal and/or local regulations. For assistance in hooking up trailer lights, contact a NISSAN dealer or reputable trailer dealer.

## Trailer brakes

If your trailer is equipped with a braking system, make sure it conforms to federal and/or local regulations and that it is properly installed.



### WARNING

**Never connect a trailer brake system directly to the vehicle brake system.**

## Pre-towing tips

- Be certain your vehicle maintains a level position when a loaded or unloaded trailer is hitched. Do not drive the vehicle if it has an abnormal nose-up or nose-down condition; check for improper tongue load, overload, worn suspension or other possible causes of either condition.
- Always secure items in the trailer to prevent load shift while driving.
- Keep the cargo load as low as possible in the trailer to keep the trailer center of gravity low.
- Load the trailer so approximately 60% of the trailer load is in the front half and 40% is in the back half. Also make sure the load is balanced side to side.

- Check your hitch, trailer tire pressure, vehicle tire pressure, trailer light operation, and trailer wheel lug nuts every time you attach a trailer to the vehicle.
- Be certain your rearview mirrors conform to all federal, state or local regulations. If not, install any mirrors required for towing before driving the vehicle.
- Determine the overall height of the vehicle and trailer so the required clearance is known.

## Trailer towing tips

In order to gain skill and an understanding of the vehicle's behavior, you should practice turning, stopping and backing up in an area which is free from traffic. Steering stability, and braking performance will be somewhat different than under normal driving conditions.

- Always secure items in the trailer to prevent load shift while driving.
- Lock the trailer hitch coupler with a pin or lock to prevent the coupler from inadvertently becoming unlatched.
- Avoid abrupt starts, acceleration or stops.
- Avoid sharp turns or lane changes.
- Do not use the Blind Spot Warning (BSW) system (if so equipped).

- Do not use the Lane Departure Warning (LDW) system (if so equipped).
- Always drive your vehicle at a moderate speed. Some states or provinces have specific speed limits for vehicles that are towing trailers. Obey the local speed limits.
- When backing up, hold the bottom of the steering wheel with one hand. Move your hand in the direction in which you want the trailer to go. Make small corrections and back up slowly. If possible, have someone guide you when you are backing up.

Always block the wheels on both vehicle and trailer when parking. Parking on a slope is not recommended; however, if you must do so:



## CAUTION

**If you move the shift lever to the P (Park) position before blocking the wheels and applying the parking brake, transmission damage could occur.**

1. Apply and hold the brake pedal.
2. Have someone place blocks on the downhill side of the vehicle and trailer wheels.
3. After the wheel blocks are in place, slowly release the brake pedal until the blocks

absorb the vehicle load.

4. Apply the parking brake.
5. Shift the transmission into P (Park).
6. Turn off the engine.

To drive away:

1. Apply and hold the brake pedal.
2. Start the engine.
3. Shift the transmission into gear.
4. Release the parking brake.
5. Drive slowly until the vehicle and trailer are clear from the blocks.
6. Apply and hold the brake pedal.
7. Have someone retrieve and store the blocks.

- When going down a hill, shift into a lower gear and use the engine braking effect. When going up a long grade, downshift the transmission to a lower gear and reduce speed to reduce chances of engine overloading and/or overheating.
- If the engine coolant rises to an extremely high temperature when the air conditioning system is on, turn off the air conditioner. Coolant heat can be additionally vented by opening the windows, switching the fan control to high and setting the temperature control to the HOT position.

- Trailer towing requires more fuel than normal circumstances.
- Avoid towing a trailer for the first 500 miles (800 km).
- Have your vehicle serviced more often than at intervals specified in the recommended maintenance schedule in the NISSAN Service and Maintenance Guide.
- When making a turn, your trailer wheels will be closer to the inside of the turn than your vehicle wheels. To compensate for this, make a larger than normal turning radius during the turn.
- Crosswinds and rough roads will adversely affect vehicle/trailer handling, possibly causing vehicle sway. When being passed by larger vehicles, be prepared for possible changes in crosswinds that could affect vehicle handling. If swaying does occur, firmly grip the steering wheel, steer straight ahead, and immediately (but gradually) reduce vehicle speed. This combination will help stabilize the vehicle. Never increase speed.

Do the following if the trailer begins to sway:

1. Take your foot off the accelerator pedal to allow the vehicle to coast and steer as straight ahead as the road conditions allow. This combination will help stabilize the

vehicle.

- Do not correct trailer sway by steering or applying the brakes.
2. When the trailer sway stops, gently apply the brakes and pull to the side of the road in a safe area.
  3. Try to rearrange the trailer load so it is balanced as described earlier in this section.
- Be careful when passing other vehicles. Passing while towing a trailer requires considerably more distance than normal passing. Remember the length of the trailer must also pass the other vehicle before you can safely change lanes.
  - Down shift the transmission to a lower gear for engine braking when driving down steep or long hills. This will help slow the vehicle without applying the brakes.
  - Avoid holding the brake pedal down too long or too frequently. This could cause the brakes to overheat, resulting in reduced braking efficiency.
  - Increase your following distance to allow for greater stopping distances while towing a trailer. Anticipate stops and brake gradually.
  - Do not use cruise control while towing a trailer.

- Some states or provinces have specific regulations and speed limits for vehicles that are towing trailers. Obey the local speed limits.
- Check your hitch, trailer wiring harness connections, and trailer wheel lug nuts after 50 miles (80 km) of travel and at every break.
- When stopped in traffic for long periods of time in hot weather, put the vehicle in the P (Park) position.
- When launching a boat, don't allow the water level to go over the exhaust tail pipe or rear bumper.
- Make sure you disconnect the trailer lights before backing the trailer into the water or the trailer lights may burn out.

**When towing a trailer, the transmission fluid should be changed more frequently. For additional information, see the “8. Maintenance and do-it-yourself” section earlier in this manual.**

## FLAT TOWING

Towing your vehicle with all four wheels on the ground is sometimes called flat towing. This method is sometimes used when towing a vehicle behind a recreational vehicle, such as a motor home.



### CAUTION

- **Failure to follow these guidelines can result in severe transmission damage.**
- **Whenever flat towing your vehicle, always tow forward, never backward.**
- **DO NOT tow any continuously variable transmission vehicle with all four wheels on the ground (flat towing). Doing so WILL DAMAGE internal transmission parts due to lack of transmission lubrication.**
- **DO NOT tow an All-Wheel Drive (AWD) vehicle with any of the wheels on the ground. Doing so may cause serious and expensive damage to the powertrain.**
- **For emergency towing procedures refer to “Towing recommended by**

**NISSAN**” in the “6. In case of emergency” section of this manual.

Continuously Variable Transmission (CVT)

**All-Wheel Drive (AWD) models:**

Do not tow an AWD vehicle with any of the wheels on the ground.

**Two-Wheel Drive (2WD) models:**

To tow a vehicle equipped with a Continuously Variable Transmission (CVT), an appropriate vehicle dolly **MUST** be placed under the towed vehicle's driving wheels. **Always** follow the dolly manufacturer's recommendations when using their product.

## UNIFORM TIRE QUALITY GRADING

DOT (Department Of Transportation) Quality Grades: All passenger car tires must conform to federal safety requirements in addition to these grades.

Quality grades can be found where applicable on the tire sidewall between tread shoulder and maximum section width. For example:

**Treadwear 200 Traction AA Temperature A TREADWEAR**

The treadwear grade is a comparative rating based on the wear rate of the tire when tested under controlled conditions on a specified government test course. For example, a tire graded 150 would wear one and one-half (1 1/2) times as well on the government course as a tire graded 100. The relative performance of tires depends upon actual conditions of their use, however, and may depart significantly from the norm due to variations in driving habits, service practices and differences in road characteristics and climate.

### TRACTION AA, A, B AND C

The traction grades, from highest to lowest, are AA, A, B and C. Those grades represent the tire's ability to stop on wet pavement as measured under controlled conditions on specified government test surfaces of asphalt and concrete. A tire marked C may have poor traction performance.



## WARNING

**The traction grade assigned to this tire is based on straight-ahead braking traction tests, and does not include acceleration, cornering, hydroplaning, or peak traction characteristics.**

### TEMPERATURE A, B AND C

The temperature grades A (the highest), B, and C, representing the tire's resistance to the generation of heat and its ability to dissipate heat when tested under controlled conditions on a specified indoor laboratory test wheel. Sustained high temperature can cause the material of the tire to degenerate and reduce tire life, and excessive temperature can lead to sudden tire failure. The grade C corresponds to a level of performance which all passenger car tires must meet under the Federal Motor Vehicle Safety Standard No. 109. Grades B and A represent higher levels of performance on the laboratory test wheel than the minimum required by law.



## WARNING

The temperature grade for this tire is established for a tire that is properly inflated and not overloaded. Excessive speed, under-inflation, or excessive loading, either separately or in combination, can cause heat build-up and possible tire failure.

## EMISSION CONTROL SYSTEM WARRANTY

Your NISSAN is covered by the following emission warranties.

### For USA:

- Emission Defects Warranty
- Emissions Performance Warranty

Details of these warranties may be found with other vehicle warranties in your Warranty Information Booklet which comes with your NISSAN. If you did not receive a Warranty Information Booklet, or it has become lost, you may obtain a replacement by writing to:

- Nissan North America, Inc.  
Consumer Affairs Department  
P.O. Box 685003  
Franklin, TN 37068-5003

### For Canada:

Emission Control System Warranty

Details of these warranties may be found with other vehicle warranties in your Warranty Information Booklet which comes with your NISSAN. If you did not receive a Warranty Information Booklet, or it has become lost, you may obtain a replacement by writing to:

- Nissan Canada Inc.  
5290 Orbitor Drive  
Mississauga, Ontario,  
L4W 4Z5

## REPORTING SAFETY DEFECTS

### For USA

If you believe that your vehicle has a defect which could cause a crash or could cause injury or death, you should immediately inform the National Highway Traffic Safety Administration (NHTSA) in addition to notifying NISSAN.

If NHTSA receives similar complaints, it may open an investigation, and if it finds that a safety defect exists in a group of vehicles, it may order a recall and remedy campaign. However, NHTSA cannot become involved in individual problems between you, your dealer, or NISSAN.

To contact NHTSA, you may call the Vehicle Safety Hotline toll-free at 1-888-327-4236 (TTY: 1-800-424-9153); go to <http://www.safercar.gov>; or write to: Administrator, NHTSA, 400 Seventh Street, SW., Washington, D.C. 20590. You can also obtain other information about motor vehicle safety from <http://www.safercar.gov>.

You may notify NISSAN by contacting our Consumer Affairs Department, toll-free, at 1-800-NISSAN-1 (1-800-647-7261).



## READINESS FOR INSPECTION/ MAINTENANCE (I/M) TEST

### For Canada

If you believe that your vehicle has a defect which could cause a crash or could cause injury or death, you should immediately inform Transport Canada in addition to notifying NISSAN.

If Transport Canada receives complaints, it may open an investigation, and if it finds that a safety defect exists in a group of vehicles, it may request that NISSAN conduct a recall campaign. However, Transport Canada cannot become involved in individual problems between you, your dealer, or NISSAN.

You may contact Transport Canada's Defect Investigations and Recalls Division toll free at 1-800-333-0510. You may also report safety defects online at:

<https://wwwapps.tc.gc.ca/Saf-Sec-Sur/7/PCDB-BDPP/Index.aspx>

Additional information concerning motor vehicle safety may be obtained from Transport Canada's Road Safety Information Centre at 1-800-333-0371 or online at [www.tc.gc.ca/roadsafety](http://www.tc.gc.ca/roadsafety) (English speakers) or [www.tc.gc.ca/securiteroutiere](http://www.tc.gc.ca/securiteroutiere)

9-28 **Technical and consumer information**

(French speakers).

To notify NISSAN of any safety concerns please contact our Consumer Information Centre toll free at 1-800-387-0122.



### WARNING

**A vehicle equipped with All-Wheel Drive (AWD) should never be tested using a two wheel dynamometer (such as the dynamometers used by some states for emissions testing), or similar equipment. Make sure you inform test facility personnel that your vehicle is equipped with AWD before it is placed on a dynamometer. Using the wrong test equipment may result in transmission damage or unexpected vehicle movement which could result in serious vehicle damage or personal injury.**

Due to legal requirements in some states/areas or provinces, your vehicle may be required to be in what is called the "ready condition" for an Inspection/Maintenance (I/M) test of the emission control system.

The vehicle is set to the "ready condition" when it is driven through certain driving patterns. Usually, the "ready condition" can be obtained by ordinary usage of the vehicle.

If a powertrain system component is repaired or the battery is disconnected, the vehicle may be reset to a "not ready condition". Before taking

## EVENT DATA RECORDERS (EDR)

the I/M test, check the vehicle's inspection/maintenance test readiness condition. Place the ignition switch in the ON position without starting the engine. If the Malfunction Indicator Light (MIL) comes on steady for 20 seconds and then blinks for 10 seconds, the I/M test condition is "not ready". If the MIL does not blink after 20 seconds, the I/M test condition is "ready".

Contact a NISSAN dealer to set "ready condition" or to prepare the vehicle for testing.

This vehicle is equipped with an Event Data Recorder (EDR). The main purpose of an EDR is to record, in certain crash or near crash-like situations, such as an air bag deployment or hitting a road obstacle, data that will assist in understanding how a vehicle's systems performed. The EDR is designed to record data related to vehicle dynamics and safety systems for a short period of time, typically 30 seconds or less. The EDR in this vehicle is designed to record such data as:

- How various systems in your vehicle were operating;
- Whether or not the driver and passenger safety belts were buckled/fastened;
- How far (if at all) the driver was depressing the accelerator and/or brake pedal; and,
- How fast the vehicle was traveling.
- Sounds are not recorded.

These data can help provide a better understanding of the circumstances in which crashes and injuries occur.

NOTE: EDR data are recorded by your vehicle only if a nontrivial crash situation occurs; no data are recorded by the EDR under normal driving conditions and no personal data (e.g. name, gender, age and crash location) are recorded. However, other parties, such as law enforcement, could combine the EDR data with the type

of personally identifying data routinely acquired during a crash investigation.

To read data recorded by an EDR, special equipment is required and access to the vehicle or the EDR is needed. In addition to the vehicle manufacturer and NISSAN dealer, other parties, such as law enforcement, that have the special equipment, can read the information if they have access to the vehicle or the EDR. EDR data will only be accessed with the consent of the vehicle owner or lessee or as otherwise required or permitted by law.

## **OWNER'S MANUAL/SERVICE MANUAL ORDER INFORMATION**

Genuine NISSAN Service Manuals for this model year and prior can be purchased. A genuine NISSAN Service Manual is the best source of service and repair information for your vehicle. This manual is the same one used by the factory trained technicians working at NISSAN dealerships. Genuine NISSAN Owner's Manuals can also be purchased.

### **For USA:**

For current pricing and availability of genuine **NISSAN Service Manuals**, contact:

1-800-450-9491

[www.nissan-techinfo.com](http://www.nissan-techinfo.com)

For current pricing and availability of genuine **NISSAN Owner's Manuals**, contact:

1-800-247-5321

### **For Canada:**

To purchase a copy of a genuine NISSAN Service Manual or Owner's Manual for this model year and prior, contact a NISSAN dealer. For the phone number and location of a NISSAN dealer in your area call the NISSAN Information Center at 1-800-387-0122 and a bilingual NISSAN representative will assist you.

# 10 Index

## A

|   |            |
|---|------------|
| ABS (Anti-lock Braking System) .....  | 5-38       |
| Advanced air bag system .....   | 1-52       |
| Air bag system  |            |
| Advanced air bag system .....   | 1-52       |
| Door-mounted curtain side-impact and rollover supplemental air bag system ..... | 1-58       |
| Front passenger air bag and status light .....                                  | 1-54       |
| Front-seat mounted side-impact supplemental air bag system .....                | 1-58       |
| Roof-mounted curtain side-impact and rollover supplemental air bag system ..... | 1-58       |
| Air bag warning labels .....  | 1-61       |
| Air bag warning light .....   | 1-61, 2-16 |
| Air cleaner housing filter .....  | 8-17       |
| Air conditioner   |            |
| Air conditioner operation .....   | 4-41       |
| Air conditioner service .....   | 4-45       |
| Air conditioner specification label .....                                       | 9-11       |
| Air conditioning system refrigerant and lubricant recommendations .....         | 4-45, 9-6  |
| In-cabin microfilter .....  | 4-45       |
| Alarm, How to stop alarm (see vehicle security system) .....                    | 2-31       |
| Alcohol, drugs and driving .....  | 5-8        |
| All-wheel drive (AWD) .....   | 5-33       |
| All-wheel drive (AWD) warning light .....                                       | 2-12       |
| Antenna .....   | 4-87       |
| Anti-lock Braking System (ABS) .....  | 5-38       |
| Anti-lock braking system (ABS) warning light .....                              | 2-12       |
| Appearance care   |            |
| Exterior appearance care .....  | 7-2        |
| Interior appearance care .....  | 7-5        |
| Armrest .....   | 1-15       |
| Ashtray (See cigarette lighter and ashtray) .....                               | 2-46       |

|                                       |      |
|---------------------------------------|------|
| Audible reminders .....               | 2-20 |
| Audio operation precautions .....     | 4-46 |
| Audio system .....                    | 4-46 |
| Steering wheel audio controls .....   | 4-86 |
| Auto closure .....                    | 3-24 |
| Autochanger, Compact Disc (CD) .....  | 4-62 |
| Autolight system .....                | 2-38 |
| Automatic                             |      |
| Door locks .....                      | 3-7  |
| Drive positioner .....                | 3-51 |
| Seat positioner .....                 | 3-51 |
| AUX (Auxiliary) button .....          | 4-63 |
| Avoiding collision and rollover ..... | 5-7  |

## B

|   |      |
|---|------|
| Back door (See lift gate) .....   | 3-20 |
| Battery .....   | 8-13 |
| Battery saver system .....  | 2-39 |
| Intelligent Key .....   | 8-22 |
| Variable voltage control system .....                                       | 8-15 |
| Before starting the engine .....  | 5-14 |
| Blind Spot Warning (BSW) light (green) .....                                | 2-17 |
| Blind Spot Warning (BSW) light (orange) .....                               | 2-13 |
| Blind Spot Warning (BSW) system .....                                       | 5-20 |
| Blind Spot Warning (BSW)/Lane Departure Warning (LDW) systems .....         | 5-20 |
| Bluetooth® hands-free phone system (models with navigation system) .....    | 4-88 |
| Bluetooth® hands-free phone system (models without navigation system) ..... | 4-99 |
| Bluetooth® streaming audio .....  | 4-76 |
| Booster seats .....   | 1-42 |
| Brake   |      |
| Anti-lock Braking System (ABS) .....  | 5-38 |
| Brake fluid .....   | 8-12 |

|                                   |      |
|-----------------------------------|------|
| Brake system .....                | 5-37 |
| Parking brake operation .....     | 5-19 |
| Warning light .....               | 2-13 |
| Break-in schedule .....           | 5-31 |
| Brightness control                |      |
| Display ON/OFF button .....       | 4-9  |
| Instrument panel .....            | 2-40 |
| Bulb check/instrument panel ..... | 2-12 |
| Bulb replacement .....            | 8-25 |

## C

|  |          |
|--|----------|
| Cabin air filter .....                           | 4-45     |
| Capacities and recommended fuel/lubricants ..... | 9-2      |
| Car phone or CB radio .....                      | 4-88     |
| Cargo cover .....                                | 2-52     |
| Cargo floor box .....                            | 2-50     |
| Cargo lights .....                               | 2-63     |
| Catalytic converter, Three way catalyst .....    | 5-4      |
| CD/CF/USB memory care and cleaning .....         | 4-84     |
| Center multi-function control panel .....        | 4-3      |
| Child restraints .....                           | 1-29     |
| Booster seats .....                              | 1-42     |
| LATCH system .....                               | 1-31     |
| Precautions on child restraints .....            | 1-29     |
| Child safety .....                               | 1-27     |
| Child safety rear door lock .....                | 3-8      |
| Chimes, Audible reminders .....                  | 2-20     |
| Cigarette lighter and ashtray .....              | 2-46     |
| Circuit breaker, Fusible link .....              | 8-21     |
| Clean Rear Camera warning .....                  | 2-22     |
| Cleaning exterior and interior .....             | 7-2, 7-5 |
| Clock .....                                      | 2-44     |
| Coat hooks .....                                 | 2-55     |
| Cold weather driving .....                       | 5-41     |

|   |      |
|---|------|
| Compact Disc (CD) changer (See audio system).....               | 4-62 |
| Compact Disc (CD) player (See audio system).....                | 4-67 |
| Compass.....  | 2-8  |
| Console box.....  | 2-49 |
| Continuously Variable Transmission (CVT) fluid.....             | 8-11 |
| Coolant   |      |
| Capacities and recommended fuel/lubricants.....                 | 9-2  |
| Changing engine coolant.....                                    | 8-8  |
| Checking engine coolant level.....                              | 8-8  |
| Corrosion protection.....                                       | 7-7  |
| Cover, Cargo cover.....   | 2-52 |
| Cruise control.....   | 5-30 |
| Cup holders.....  | 2-47 |
| CVT, Driving with CVT (Continuously Variable Transmission)..... | 5-16 |

## D

|  |      |
|--|------|
| Daytime running light system.....                                      | 2-40 |
| Defroster switch, Rear window and outside mirror defroster switch..... | 2-36 |
| Dimensions and weights.....  | 9-8  |
| Display controls (See center multi-function control panel).....        | 4-3  |
| Door/lift gate open warning.....                                       | 2-23 |
| Door/trunk open warning.....   | 2-23 |
| Dot matrix liquid crystal display.....                                 | 2-20 |
| Drive belt.....  | 8-15 |
| Drive positioner.....  | 3-51 |
| Driver assistance settings.....  | 4-16 |
| Driver's seatback release.....   | 1-8  |
| Driving  |      |
| All-wheel drive (AWD).....   | 5-33 |

|  |      |
|--|------|
| Cold weather driving.....                                  | 5-41 |
| Driving with CVT (Continuously Variable Transmission)..... | 5-16 |
| On-pavement and off-road driving.....                      | 5-7  |
| Precautions when starting and driving.....                 | 5-3  |
| Safety precautions.....                                    | 5-9  |
| Dual pop-up roll bar system.....                           | 1-62 |
| DVD player operation.....                                  | 4-69 |

## E

|   |            |
|---|------------|
| Economy, Fuel.....                              | 5-33       |
| Elapsed time.....                               | 2-26       |
| Emergency tire puncture repair kit.....         | 6-11, 8-43 |
| Emission control information label.....         | 9-10       |
| Emission control system warranty.....           | 9-27       |
| Engine  |            |
| Before starting the engine.....                 | 5-14       |
| Break-in schedule.....                          | 5-31       |
| Capacities and recommended fuel/lubricants..... | 9-2        |
| Changing engine coolant.....                    | 8-8        |
| Changing engine oil and filter.....             | 8-9        |
| Checking engine coolant level.....              | 8-8        |
| Checking engine oil level.....                  | 8-8        |
| Coolant temperature gauge.....                  | 2-7        |
| Emergency engine shut off.....                  | 5-13       |
| Engine block heater.....                        | 5-42       |
| Engine compartment check locations.....         | 8-6        |
| Engine cooling system.....                      | 8-7        |
| Engine oil.....                                 | 8-8        |
| Engine oil and oil filter recommendation.....   | 9-5        |
| Engine oil replacement indicator.....           | 2-24       |
| Engine oil viscosity.....                       | 9-5        |
| Engine serial number.....                       | 9-9        |
| Engine specifications.....                      | 9-7        |
| Engine start operation indicator.....           | 2-21       |

|   |      |
|---|------|
| If your vehicle overheats.....                      | 6-17 |
| Starting the engine.....                            | 5-15 |
| Entry/exit function, Automatic drive positioner.... | 3-51 |
| Event Data Recorders (EDR).....                     | 9-29 |
| Exhaust gas (carbon monoxide).....                  | 5-3  |
| Extended storage fuse warning.....                  | 2-23 |

## F

|   |      |
|---|------|
| F.M.V.S.S./C.M.V.S.S. certification label.....      | 9-10 |
| Filter  |      |
| Air cleaner housing filter.....                     | 8-17 |
| Changing engine oil and filter.....                 | 8-9  |
| Flashers (See hazard warning flasher switch).....   | 6-2  |
| Flat tire.....                                      | 6-3  |
| Flat towing.....                                    | 9-25 |
| Floor mat cleaning.....                             | 7-5  |
| Fluid   |      |
| Brake fluid.....                                    | 8-12 |
| Capacities and recommended fuel/lubricants.....     | 9-2  |
| Continuously Variable Transmission (CVT) fluid..... | 8-11 |
| Engine coolant.....                                 | 8-7  |
| Engine oil.....                                     | 8-8  |
| Power steering fluid.....                           | 8-11 |
| Window washer fluid.....                            | 8-13 |
| FM-AM radio with Compact Disc (CD) changer.....     | 4-60 |
| FM-AM-SAT radio with Compact Disc (CD) player.....  | 4-65 |
| Fog light switch.....                               | 2-41 |
| Front manual seat adjustment.....                   | 1-3  |
| Front passenger air bag and status light.....       | 1-54 |
| Front power seat adjustment.....                    | 1-4  |
| Front seat, Front seat adjustment.....              | 1-3  |
| Front-seat active head restraint.....               | 1-14 |

|   |      |
|---|------|
| Fuel  |      |
| Capacities and recommended fuel/lubricants..... | 9-2  |
| Fuel economy.....                               | 5-33 |
| Fuel economy information (display).....         | 4-11 |
| Fuel octane rating.....                         | 9-3  |
| Fuel recommendation.....                        | 9-3  |
| Fuel-filler cap.....                            | 3-44 |
| Fuel-filler door.....                           | 3-44 |
| Gauge.....                                      | 2-8  |
| LOOSE FUEL CAP warning.....                     | 3-45 |
| Fuel efficient driving tips.....                | 5-32 |
| Fuses.....                                      | 8-20 |
| Fusible links.....                              | 8-21 |

## G

|                                       |      |
|---------------------------------------|------|
| Garage door opener, HomeLink®         |      |
| Universal Transceiver.....            | 2-63 |
| Gas cap.....                          | 3-44 |
| Gauge.....                            | 2-5  |
| Engine coolant temperature gauge..... | 2-7  |
| Fuel gauge.....                       | 2-8  |
| Odometer.....                         | 2-6  |
| Speedometer.....                      | 2-6  |
| Tachometer.....                       | 2-7  |
| Trip computer.....                    | 2-25 |
| General maintenance.....              | 8-2  |
| Glove box.....                        | 2-49 |

## H

|   |      |
|---|------|
| Hands-free phone system, Bluetooth® (models with navigation system).....    | 4-88 |
| Hands-free phone system, Bluetooth® (models without navigation system)..... | 4-99 |
| Hazard warning flasher switch.....  | 6-2  |

|   |      |
|---|------|
| Head restraints.....                      | 1-11 |
| Headlights                                |      |
| Bulb replacement.....                     | 8-27 |
| Headlight switch.....                     | 2-37 |
| Xenon headlights.....                     | 2-37 |
| Heated seats.....                         | 2-42 |
| Heated steering wheel.....                | 2-41 |
| Heater                                    |      |
| Engine block heater.....                  | 5-42 |
| Heater and air conditioner operation..... | 4-41 |
| HomeLink® Universal Transceiver.....      | 2-63 |
| Hood release.....                         | 3-20 |
| Hook                                      |      |
| Coat hooks.....                           | 2-55 |
| Luggage hook.....                         | 2-53 |
| Horn.....                                 | 2-41 |

## I

|  |          |
|--|----------|
| Ignition switch (Push-button).....     | 5-11     |
| Immobilizer system.....                | 2-31     |
| In-cabin microfilter.....              | 4-45     |
| Indicator                              |          |
| Dot matrix display.....                | 2-20     |
| Lights.....                            | 2-17     |
| INFO button.....                       | 4-9      |
| Inside mirror.....                     | 3-48     |
| Inspection/maintenance (I/M) test..... | 9-28     |
| Instrument brightness control.....     | 2-40     |
| Instrument panel.....                  | 2-4      |
| Intelligent Key system.....            | 3-3, 3-8 |
| Battery replacement.....               | 8-22     |
| Key operating range.....               | 3-10     |
| Key operation.....                     | 3-11     |
| Warning light.....                     | 2-14     |
| Warning signals.....                   | 3-14     |
| Intelligent Key warning light.....     | 2-14     |

|                                    |      |
|------------------------------------|------|
| Interior light control switch..... | 2-61 |
| Interior light replacement.....    | 8-29 |
| Interior lights.....               | 2-60 |
| iPod® player operation.....        | 4-81 |
| ISOFIX child restraint.....        | 1-31 |

## J

|                    |      |
|--------------------|------|
| Jump starting..... | 6-15 |
|--------------------|------|

## K

|  |          |
|--|----------|
| Keyless entry (See remote keyless entry system)..... | 3-16     |
| Keys.....  | 3-3      |
| For Intelligent Key system.....                      | 3-3, 3-8 |

## L

|  |            |
|--|------------|
| Labels   |            |
| Air bag warning labels.....                        | 1-61       |
| Air conditioner specification label.....           | 9-11       |
| Emission control information label.....            | 9-10       |
| Engine serial number.....                          | 9-9        |
| F.M.V.S.S./C.M.V.S.S. certification label.....     | 9-10       |
| Tire and Loading information label.....            | 8-34, 9-10 |
| Vehicle identification number (VIN).....           | 9-8        |
| Lane Departure Warning (LDW) light (green)....     | 2-18       |
| Lane Departure Warning (LDW) light (orange)....    | 2-14       |
| Lane Departure Warning (LDW) system.....           | 5-20       |
| LATCH system.....                                  | 1-31       |
| License plate, Installing front license plate..... | 9-12       |
| Lift gate.....                                     | 3-20       |
| Light  |            |
| Air bag warning light.....                         | 1-61       |
| Bulb replacement.....                              | 8-25       |
| Cargo lights.....                                  | 2-63       |

|  |      |
|--|------|
| Fog light switch.....  | 2-41 |
| Headlight switch.....  | 2-37 |
| Headlights bulb replacement.....   | 8-27 |
| Indicator lights.....  | 2-17 |
| Interior light control switch.....   | 2-61 |
| Interior lights.....   | 2-60 |
| Map lights.....  | 2-60 |
| Mood lights.....   | 2-62 |
| Personal lights.....   | 2-61 |
| Replacement.....   | 8-25 |
| Trunk light.....   | 2-63 |
| Vanity mirror lights.....  | 2-62 |
| Warning/indicator lights and<br>audible reminders.....                               | 2-12 |
| Xenon headlights.....  | 2-37 |
| Lights, Exterior and interior light replacement....                                  | 8-29 |
| Loading information (See vehicle<br>loading information).....                        | 9-13 |
| Lock   |      |
| Automatic door locks.....  | 3-7  |
| Door locks.....  | 3-5  |
| Lift gate lock.....  | 3-20 |
| Power door lock.....   | 3-5  |
| Trunk lid.....   | 3-25 |
| Locking with mechanical key.....   | 3-5  |
| Low fuel warning.....  | 2-22 |
| Low tire pressure warning light.....   | 2-14 |
| Low tire pressure warning system<br>(See tire pressure monitoring system (TPMS)).... | 5-4  |
| Low washer fluid warning.....  | 2-23 |
| Luggage cover.....   | 2-53 |
| Luggage hooks.....   | 2-53 |
| Luggage side box.....  | 2-51 |

## M

|   |       |
|---|-------|
| Maintenance                                     |       |
| Battery.....                                    | 8-13  |
| General maintenance.....                        | 8-2   |
| Inside the vehicle.....                         | 8-3   |
| Maintenance indicators.....                     | 2-24  |
| Maintenance precautions.....                    | 8-5   |
| Maintenance requirements.....                   | 8-2   |
| Outside the vehicle.....                        | 8-2   |
| Seat belt maintenance.....                      | 1-26  |
| Malfunction indicator light (MIL).....          | 2-18  |
| Manual command selection.....                   | 4-101 |
| Manual front seat adjustment.....               | 1-3   |
| Map lights.....                                 | 2-60  |
| Master warning light.....                       | 2-16  |
| Mechanical key (Intelligent Key system).....    | 3-4   |
| Memory storage, Automatic drive positioner..... | 3-52  |
| Meter, Trip computer.....                       | 2-25  |
| Meters and gauges.....                          | 2-5   |
| Instrument brightness control.....              | 2-40  |
| Mirror  |       |
| Inside mirror.....                              | 3-48  |
| Outside mirrors.....                            | 3-49  |
| Vanity mirror.....                              | 3-51  |
| Monitor, Rearview monitor.....                  | 4-23  |
| Mood lights.....                                | 2-62  |
| Moonroof.....                                   | 2-58  |
| Moving Object Detection (MOD) function.....     | 4-37  |
| Multi-function controller.....                  | 4-5   |

## N

|  |       |
|--|-------|
| New vehicle break-in.....              | 5-31  |
| NISSAN Vehicle Immobilizer System..... | 2-31  |
| NISSAN voice recognition system.....   | 4-112 |

|                     |      |
|---------------------|------|
| No key warning..... | 2-22 |
|---------------------|------|

## O

|   |      |
|---|------|
| Odometer.....   | 2-6  |
| Off-road recovery.....                                  | 5-7  |
| Oil   |      |
| Capacities and<br>recommended fuel/lubricants.....      | 9-2  |
| Changing engine oil and filter.....                     | 8-9  |
| Checking engine oil level.....                          | 8-8  |
| Engine oil.....   | 8-8  |
| Engine oil viscosity.....                               | 9-5  |
| Oil filter replacement indicator.....                   | 2-24 |
| Opening the soft top.....                               | 3-28 |
| Operation, Operational indicators.....                  | 2-21 |
| Outside air temperature display.....                    | 2-27 |
| Outside mirrors.....                                    | 3-49 |
| Overdrive OFF switch.....                               | 5-18 |
| Overheat, If your vehicle overheats.....                | 6-17 |
| Owner's Manual/Service Manual<br>order information..... | 9-30 |

## P

|   |      |
|---|------|
| Panic alarm.....  | 3-18 |
| Parking   |      |
| Brake break-in.....   | 5-37 |
| Parking brake operation.....  | 5-19 |
| Parking brake release warning.....  | 2-22 |
| Parking on hills.....   | 5-36 |
| Personal lights.....  | 2-61 |
| Phone   |      |
| Bluetooth® hands-free phone system<br>(models with navigation system).....    | 4-88 |
| Bluetooth® hands-free phone system<br>(models without navigation system)..... | 4-99 |

|                                       |            |
|---------------------------------------|------------|
| Car phone or CB radio.....            | 4-88       |
| <b>Power</b>                          |            |
| Front seat adjustment.....            | 1-4        |
| Power door lock.....                  | 3-5        |
| Power outlet.....                     | 2-45       |
| Power steering fluid.....             | 8-11       |
| Power steering system.....            | 5-37       |
| Power windows.....                    | 2-55       |
| <b>Precautions</b>                    |            |
| Audio operation.....                  | 4-46       |
| Braking precautions.....              | 5-37       |
| Child restraints.....                 | 1-29       |
| Cruise control.....                   | 5-30       |
| Driving safety.....                   | 5-9        |
| Maintenance.....                      | 8-5        |
| On-pavement and off-road driving..... | 5-7        |
| Seat belt usage.....                  | 1-15       |
| Supplemental restraint system.....    | 1-46       |
| When starting and driving.....        | 5-3        |
| Push starting.....                    | 6-17       |
| "PUSH" warning.....                   | 2-22       |
| Push-button ignition switch.....      | 5-11, 5-12 |

## R

|  |      |
|--|------|
| <b>Radio</b> .....   | 4-46 |
| Car phone or CB radio.....   | 4-88 |
| FM-AM radio with Compact Disc<br>(CD) changer.....                         | 4-60 |
| FM-AM-SAT radio with Compact Disc<br>(CD) player.....                      | 4-65 |
| Rain-sensing auto wiper system.....  | 2-34 |
| Rapid air pressure loss.....   | 5-8  |
| Readiness for inspection/maintenance<br>(I/M) test.....                    | 9-28 |
| Rear and rear-wide view monitor with Moving<br>Object Detection (MOD)..... | 4-30 |

|   |      |
|---|------|
| Rear center seat belt.....                              | 1-23 |
| Rear door lock, Child safety rear door lock.....        | 3-8  |
| Rear seats.....   | 1-9  |
| Rear window and outside mirror<br>defroster switch..... | 2-36 |
| Rear window wiper and washer switch.....                | 2-35 |
| Rearview monitor.....                                   | 4-23 |
| Recorders, Event data.....                              | 9-29 |
| Registering your vehicle in another country.....        | 9-8  |
| Remote keyless entry system.....                        | 3-16 |
| Repairing flat tire (CrossCabriolet models).....        | 6-10 |
| Reporting safety defects (US only).....                 | 9-27 |
| Rollover.....   | 5-7  |
| Roof, Roof rack.....                                    | 2-54 |
| Roof, Soft top.....                                     | 3-28 |

## S

|   |      |
|---|------|
| <b>Safety</b>                           |      |
| Child seat belts.....                   | 1-27 |
| Reporting safety defects (US only)..... | 9-27 |
| Towing safety.....                      | 9-21 |
| Satellite radio operation.....          | 4-66 |
| <b>Seat adjustment</b>                  |      |
| Front manual seat adjustment.....       | 1-3  |
| Front power seat adjustment.....        | 1-4  |
| Front seats.....                        | 1-3  |
| <b>Seat belt(s)</b>                     |      |
| Child safety.....                       | 1-27 |
| Infants.....                            | 1-28 |
| Injured persons.....                    | 1-18 |
| Larger children.....                    | 1-28 |
| Precautions on seat belt usage.....     | 1-15 |
| Pregnant women.....                     | 1-18 |
| Rear center seat belt.....              | 1-23 |
| Seat belt cleaning.....                 | 7-6  |
| Seat belt extenders.....                | 1-26 |

|   |            |
|---|------------|
| Seat belt hooks.....  | 1-22       |
| Seat belt maintenance.....  | 1-26       |
| Seat belt warning light.....  | 2-16       |
| Seat belts.....   | 1-15       |
| Seat belts with pretensioners.....  | 1-59       |
| Shoulder belt height adjustment.....  | 1-22       |
| Small children.....   | 1-28       |
| Three-point type.....   | 1-18       |
| <b>Seat(s)</b>  |            |
| Driver-side memory.....   | 3-51       |
| Heated seats.....   | 2-42       |
| Seats.....  | 1-2        |
| <b>Security system (NISSAN Vehicle Immobilizer<br/>System), Engine start.....</b> | 2-31       |
| Security system, Vehicle security system.....                                     | 2-30       |
| Servicing air conditioner.....  | 4-45       |
| SETTING button.....   | 4-13       |
| <b>Shift lever</b>  |            |
| Shift lock release.....   | 5-19       |
| Shift lock release, Transmission.....   | 5-19       |
| SHIFT "P" warning.....  | 2-22       |
| Shifting, CVT (Continuously<br>Variable Transmission).....                        | 5-16       |
| Shoulder belt height adjustment.....  | 1-22       |
| <b>Soft top</b>   |            |
| Care and cleaning (CrossCabriolet models)....                                     | 7-3        |
| If the top does not open or close.....  | 3-38       |
| Soft top indicator light.....   | 2-19, 3-33 |
| Soft top operation.....   | 3-28       |
| SOURCE select switch.....   | 4-86       |
| Spare tire.....   | 8-42, 9-7  |
| Spark plugs.....  | 8-16       |
| Speedometer.....  | 2-6        |
| <b>Starting</b>   |            |
| Before starting the engine.....   | 5-14       |
| Jump starting.....  | 6-15       |
| Precautions when starting and driving.....  | 5-3        |



|   |            |
|---|------------|
| Push starting.....                                      | 6-17       |
| Starting the engine.....                                | 5-15       |
| STATUS button.....                                      | 4-9        |
| Status light, Front passenger air bag.....              | 1-54       |
| Steering  |            |
| Heated steering wheel.....                              | 2-41       |
| Power steering fluid.....                               | 8-11       |
| Power steering system.....                              | 5-37       |
| Steering-wheel-mounted controls<br>for audio.....       | 4-86       |
| Tilt/telescopic steering.....                           | 3-46       |
| Storage.....  | 2-47       |
| Storage box.....  | 2-50       |
| Sun visors.....   | 3-47       |
| Sunglasses holder.....                                  | 2-48       |
| Supplemental air bag warning labels.....                | 1-61       |
| Supplemental air bag warning light.....                 | 1-61, 2-16 |
| Supplemental restraint system.....                      | 1-46       |
| Precautions on supplemental<br>restraint system.....    | 1-46       |
| Switch  |            |
| All-Wheel Drive (AWD) lock switch.....                  | 5-33       |
| Autolight switch.....                                   | 2-38       |
| Fog light switch.....                                   | 2-41       |
| Hazard warning flasher switch.....                      | 6-2        |
| Headlight switch.....                                   | 2-37       |
| Overdrive OFF switch.....                               | 5-18       |
| Power door lock switch.....                             | 3-7        |
| Rear window and outside mirror<br>defroster switch..... | 2-36       |
| Turn signal switch.....                                 | 2-40       |
| Vehicle dynamic control (VDC) off switch....            | 2-44       |
| Warning systems switch.....                             | 2-43       |

## T

|   |            |
|---|------------|
| Tachometer.....   | 2-7        |
| Temperature display.....  | 2-27       |
| Temperature gauge, Engine coolant<br>temperature gauge.....     | 2-7        |
| Theft (NISSAN Vehicle Immobilizer System),<br>Engine start..... | 2-31       |
| Three-way catalyst.....   | 5-4        |
| Tilt/telescopic steering.....                                   | 3-46       |
| Tire  |            |
| Pressure, Low tire pressure warning light....                   | 2-14       |
| Tire replacement indicator.....                                 | 2-24       |
| Tires   |            |
| Emergency tire puncture repair kit.....                         | 8-43       |
| Flat tire.....  | 6-3        |
| Low tire pressure warning system.....                           | 5-4        |
| Tire and Loading information label.....                         | 8-34, 9-10 |
| Tire chains.....  | 8-39       |
| Tire dressing.....  | 7-4        |
| Tire pressure.....  | 8-32       |
| Tire pressure monitoring<br>system (TPMS).....                  | 5-4, 6-3   |
| Tire rotation.....  | 8-40       |
| Types of tires.....   | 8-38       |
| Uniform tire quality grading.....                               | 9-26       |
| Wheel/tire size.....  | 9-7        |
| Wheels and tires.....   | 8-32       |
| Tonneau cover (see cargo cover).....                            | 2-52       |
| Top, Soft top.....  | 3-28       |
| Touch screen system.....  | 4-5        |
| Towing  |            |
| Flat towing.....  | 9-25       |
| Tow truck towing.....   | 6-19       |
| Towing a trailer.....   | 9-16       |
| Towing safety.....  | 9-21       |
| TPMS, Tire pressure monitoring system.....                      | 5-4        |

|  |      |
|--|------|
| TPMS, Tire pressure warning system.....                          | 6-3  |
| Trailer towing.....  | 9-16 |
| Transceiver, HomeLink® Universal Transceiver....                 | 2-63 |
| Transmission   |      |
| Continuously Variable Transmission<br>(CVT) fluid.....           | 8-11 |
| Driving with CVT (Continuously<br>Variable Transmission).....    | 5-16 |
| Transmission shift lever lock release.....                       | 5-19 |
| Transmitter (See remote keyless entry system)....                | 3-16 |
| Traveling or registering your vehicle in<br>another country..... | 9-8  |
| Trip computer.....   | 2-25 |
| Trip odometer.....   | 2-26 |
| Trunk  |      |
| Trunk lid.....   | 3-25 |
| Trunk lid release switch.....                                    | 3-25 |
| Trunk light.....   | 2-63 |
| Turn signal switch.....  | 2-40 |

## U

|                                   |      |
|-----------------------------------|------|
| Underbody cleaning.....           | 7-3  |
| Uniform tire quality grading..... | 9-26 |
| USB memory operation.....         | 4-72 |

## V

|   |      |
|---|------|
| Vanity mirror.....                      | 3-51 |
| Vanity mirror lights.....               | 2-62 |
| Variable voltage control system.....    | 8-15 |
| Vehicle                                 |      |
| Dimensions and weights.....             | 9-8  |
| Identification number (VIN).....        | 9-8  |
| Loading information.....                | 9-13 |
| Recovery (freeing a stuck vehicle)..... | 6-22 |
| Security system.....                    | 2-30 |

|  |              |
|--|--------------|
| Vehicle dynamic control (VDC) off switch.....              | 2-44         |
| Vehicle dynamic control (VDC) system.....                  | 5-39         |
| Vehicle dynamic control (VDC)<br>warning light.....        | 2-16         |
| Vehicle information and settings (display).....            | 4-9          |
| Ventilators.....   | 4-40         |
| Voice command (Bluetooth® Hands-Free<br>Phone System)..... | 4-104        |
| Voice command (NISSAN voice<br>recognition system).....    | 4-118, 4-127 |

## W

|  |            |
|--|------------|
| Walk-in function.....                                  | 1-4        |
| Warning  |            |
| Dot matrix display.....                                | 2-20       |
| Hazard warning flasher switch.....                     | 6-2        |
| Lights.....  | 2-12       |
| Tire pressure monitoring<br>system (TPMS).....         | 5-4, 6-3   |
| Warning/indicator lights and<br>audible reminders..... | 2-11       |
| Warning labels, Air bag warning labels.....            | 1-61       |
| Warning light  |            |
| Air bag warning light.....                             | 1-61, 2-16 |
| All-wheel drive (AWD) warning light.....               | 2-12       |
| Anti-lock braking system (ABS)<br>warning light.....   | 2-12       |
| AWD warning light.....                                 | 5-35       |
| Brake warning light.....                               | 2-13       |
| Intelligent Key warning light.....                     | 2-14       |
| Low tire pressure warning light.....                   | 2-14       |
| Seat belt warning light.....                           | 2-16       |
| Warranty, Emission control system warranty.....        | 9-27       |
| Washer switch  |            |
| Rear window wiper and washer switch.....               | 2-35       |
| Windshield wiper and washer switch.....                | 2-32       |

|   |      |
|---|------|
| Washing.....                              | 7-2  |
| Waxing.....                               | 7-3  |
| Weights (See dimensions and weights)..... | 9-8  |
| Wheel/tire size.....                      | 9-7  |
| Wheels and tires.....                     | 8-32 |
| Cleaning aluminum alloy wheels.....       | 7-4  |
| Window washer fluid.....                  | 8-13 |
| Window(s)                                 |      |
| Cleaning.....                             | 7-3  |
| Power windows.....                        | 2-55 |
| Windshield wiper and washer switch.....   | 2-32 |
| Wiper                                     |      |
| Rain-sensing auto wiper system.....       | 2-34 |
| Rear window wiper and washer switch.....  | 2-35 |
| Rear window wiper blade.....              | 8-19 |
| Windshield wiper and washer switch.....   | 2-32 |
| Wiper blades.....                         | 8-18 |

## X

|                       |      |
|-----------------------|------|
| Xenon headlights..... | 2-37 |
|-----------------------|------|

## GAS STATION INFORMATION

### FUEL RECOMMENDATION:

#### Hardtop models

Use unleaded regular gasoline with an octane rating of at least 87 AKI (Anti-Knock Index) number (Research octane number 91).

#### CrossCabriolet models

NISSAN recommends the use of unleaded premium gasoline with an octane rating of at least 91 AKI (Anti-Knock Index) number (Research octane number 96).

If unleaded premium gasoline is not available, you may use unleaded regular gasoline with an octane rating of at least 87 AKI number (Research octane number 91), but you may notice a decrease in performance.



### CAUTION

- **Using a fuel other than that specified could adversely affect the emission control system, and may also affect warranty coverage.**
- **Under no circumstances should a leaded gasoline be used, because this will damage the three-way catalyst.**

- **Do not use E-15 or E-85 fuel in your vehicle. Your vehicle is not designed to run on E-15 or E-85 fuel. Using E-15 or E-85 fuel in a vehicle not specifically designed for E-15 or E-85 fuel can adversely affect the emission control devices and systems of the vehicle. Damage caused by such fuel is not covered by the NISSAN new vehicle limited warranty.**
- **U.S. government regulations require ethanol dispensing pumps to be identified by a small, square, orange and black label with the common abbreviation or the appropriate percentage for that region.**

For additional information, see “Capacities and recommended fuel/lubricants” in the “9. Technical and consumer information” section.

### ENGINE OIL RECOMMENDATION:

- Engine oil with API Certification Mark
- Viscosity SAE 5W-30

See “Capacities and recommended fuel/lubricants” in the “9. Technical and consumer information” section for engine oil and oil filter

recommendation.

### COLD TIRE PRESSURES:

The label is typically located on the driver side center pillar or on the driver's door. For additional information, see “Wheels and tires” in the “8. Maintenance and do-it-yourself” section.

### NEW VEHICLE BREAK-IN PROCEDURES RECOMMENDATION:

During the first 1,200 miles (2,000 km) of vehicle use, follow the recommendations outlined in the “Break-in schedule” in the “5. Starting and driving” section of this Owner's Manual. Follow these recommendations for the future reliability and economy of your new vehicle.



Printing : November 2012 (31)  
Publication No.: OM14E OZ51U0  
Printed in U.S.A.  
TOOUM-1SX5D

Z51-W