

2014 Spare Parts & Tools

ROAD WHEELS

ALUMINIUM WHEELS

RACING ZERO	4
RACING 1	10
RACING 3	14
RACING QUATTRO	18
RACING 5	20
RACING 7	22
RACING SPORT	24

ALU/CARBON WHEELS

RED WIND™ XLR	26
RED WIND™ XLR 80mm	29
RED WIND™ XLR 105mm	32
RED WIND™	34

CARBON WHEELS

RACING LIGHT™ XLR	37
RACING SPEED™ XLR	43
RACING SPEED™ XLR 35	41
RACING SPEED™ XLR 80mm	45
RACING SPEED™	47
RACING SPEED™ 35	49

TT WHEELS

RACING SPEED™ DISC	51
--------------------	----

2014 Spare Parts & Tools

CRANKSETS

RACING TORQ™ RRS	53
RACING TORQ™ R	55

CYCLOCROSS WHEELS

RED WIND™ XLR CX	57
RACING QUATTRO CX	59
RACING 5 CX	61
RACING 7 CX	63

OFF-ROAD WHEELS

XC/MARATHON/ ALL MOUNTAIN

26"	RED CARBON™ XRP	67
	RED METAL ZERO™ XRP	69
	RED METAL™ 1 XL	73
	RED METAL™ 3	79
	RED POWER™ XL	85
	RED POWER™ SL	93
27,5" - 650B	RED METAL™ XRP 650B	97
	RED POWER™ XL 650B	104

2014 Spare Parts & Tools

OFF-ROAD WHEELS

XC/MARATHON/ ALL MOUNTAIN

29" RED METAL™ 29 XRP 108

RED METAL™ 29 XL 115

RED POWER™ 29 XL 117

RED POWER™ 29 SL 121

FREERIDE/ ENDURO/DH

RED ZONE™ XLR 125

RED FIRE™ 129

RED HEAT™ 131

ADAPTERS

133

CUSTOM WHEELS

138

TOOLS

152

SALES & SERVICE

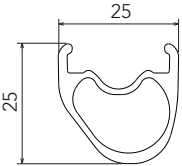
154

RED CARBON XRP

6 BOLTS
front: QR
rear: QR

RIMS & SPOKES/CERCHI E RAGGI

RIM

	FRONT RIM REAR RIM LABEL KIT VALVE HOLE VALVE VALVE HOLE BUSHING DIAMETER TYRE SECTION	RMC-F-DRK01 (with labels) RMC-R-DRK (with labels) RMC-LAB11DK (FRONT+REAR) 6,5 mm M1-102 5-RMC-014 (for valve seat reduction - 5 pcs.) 26 Tubeless See recommended tyre manufacturer inflation pressure
---	---	--

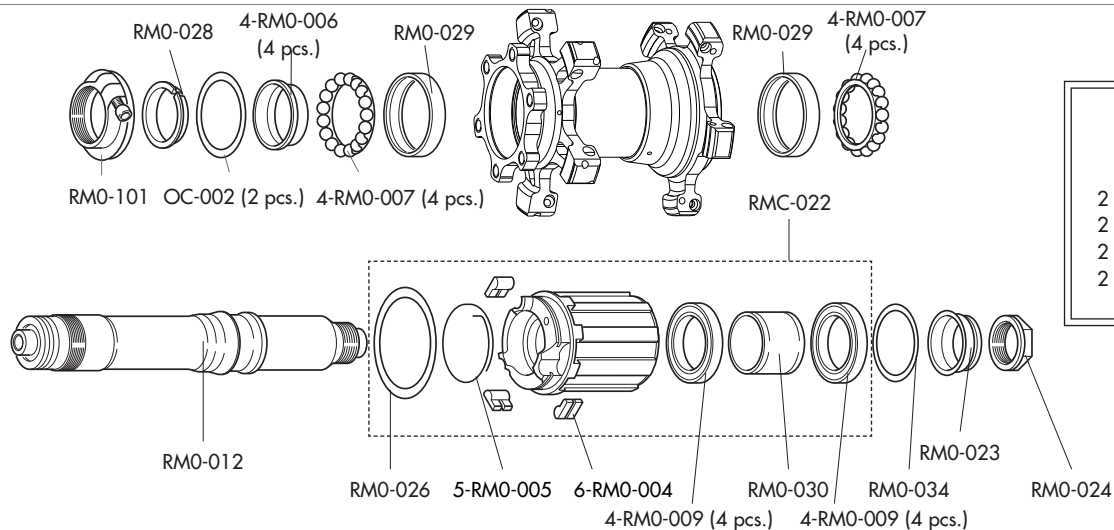
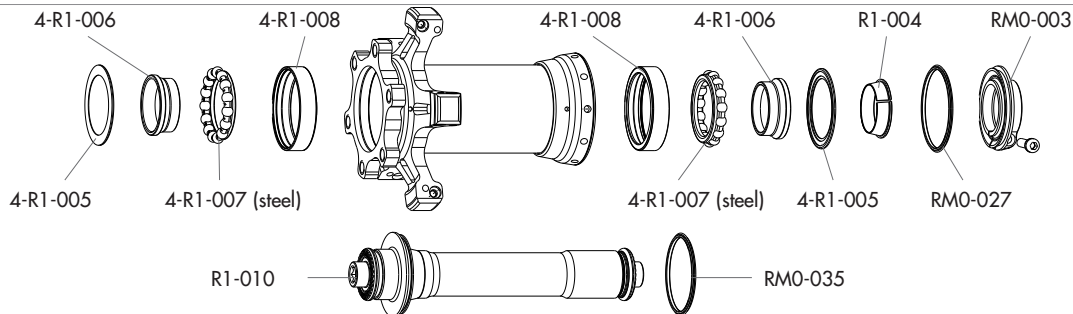
SPOKES

COMPLETE FRONT KIT COMPLETE REAR KIT COMPLETE SPOKE Front RH/Rear RH COMPLETE SPOKE Front LH COMPLETE SPOKE Rear LH NIPPLES SPOKE SPANNER	RMC-F-DSK01 RMC-R-DSK01 RMC-F-DSR01 RMC-F-DSL01 RMC-R-DSL01 RMC-B T-20	10 spokes front LH + 10 spokes front RH + 20 nipples 10 spokes rear LH + 10 spokes rear RH + 20 nipples spoke + nipple spoke + nipple spoke + nipple 10 pcs. spoke wrench
---	--	---

RED CARBON XRP

6 BOLTS
front: QR
rear: QR

HUBS/MOZZI



RM0-100 HUB KIT

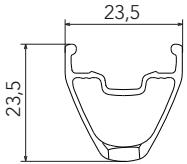
2 × RM0-025
2 × RM0-006
2 × RM0-029
2 × RM0-007

RED METAL ZERO XRP

6 BOLTS
front: QR/15 ta
rear: QR

RIMS & SPOKES/CERCHI E RAGGI

RIM

	<p>FRONT RIM REAR RIM LABEL KIT VALVE HOLE VALVE DIAMETER TYRE SECTION</p>	<p>RM0F-DRR01 (red - with labels) - RM0F-DRB01 (black - with labels) RM0R-DRR (red - with labels) - RM0R-DRB (black - with labels) RM0-LAB11DRB (red & black - FRONT+REAR) - RM0-LAB11DB (black - FRONT+REAR) 6,5 mm M1-102 26 Tubeless See recommended tyre manufacturer inflation pressure</p>
---	--	--

SPOKES

<p>COMPLETE FRONT KIT COMPLETE REAR KIT COMPLETE SPOKE Front RH COMPLETE SPOKE Front LH COMPLETE SPOKE Rear RH COMPLETE SPOKE Rear LH NIPPLES SPOKE RING NIPPLE INSERT NIPPLE MAGNET SPOKE SPANNER</p>	<p>RM0F-DSK01 RM0R-DSK01 RM0F-DSR01 RM0F-DSL01 RM0R-DSR01 RM0R-DSL01 RM0-B T-02 T-03 T-05 T-07</p>	<p>14 spokes front RH + 7 spokes front LH + 21 nipples 8 spokes rear LH + 16 spokes rear RH + 24 nipples spoke + nipple spoke + nipple spoke + nipple spoke + nipple 10 pcs. anti-rotation magnet-attractor for nipple nipple-guide spoke wrench</p>
--	--	--

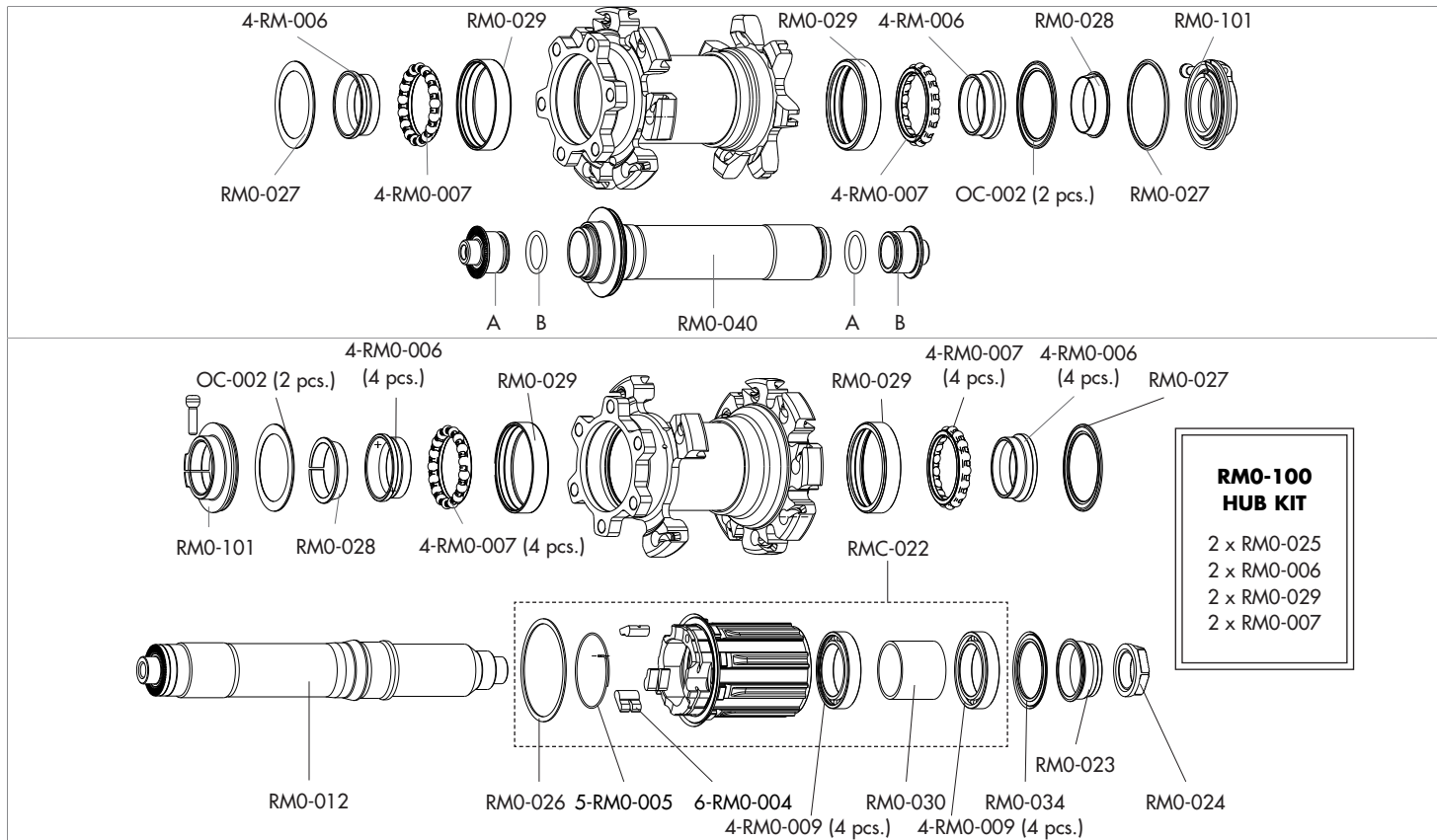
ACCESSORIES

KIT QR	RM11-TAQR	for front wheel (2A + 2B)
KIT 15 thru-axle	RM11-TA15	for front wheel - from QR to 15mm thru axle

RED METAL ZERO XRP

6 BOLTS
front: QR/15 ta
rear: QR

HUBS/MOZZI

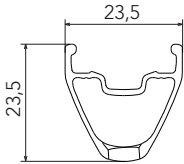


RED METAL ZERO XRP

AFS
front: QR/15mm to
rear: QR

RIMS & SPOKES/CERCHI E RAGGI

RIM

	<p>FRONT RIM REAR RIM LABEL KIT VALVE HOLE VALVE DIAMETER TYRE SECTION</p>	<p>RM0F-DRR01 (red - with labels) - RM0F-DRB01 (black - with labels) RM0R-DRR (red - with labels) - RM0R-DRB (black - with labels) RM0-LAB11DRB (red & black - FRONT+REAR) - RM0-LAB11DB (black - FRONT+REAR) 6,5 mm M1-102 26 Tubeless See recommended tyre manufacturer inflation pressure</p>
---	--	--

SPOKES

<p>COMPLETE FRONT KIT COMPLETE REAR KIT COMPLETE SPOKE Front RH COMPLETE SPOKE Front LH COMPLETE SPOKE Rear RH COMPLETE SPOKE Rear LH NIPPLES SPOKE RING NIPPLE INSERT NIPPLE MAGNET SPOKE SPANNER</p>	<p>RM0F-DSK01 RM0R-DSK01 RM0F-DSR01 RM0F-DSL01 RM0R-DSR01 RM0R-DSL01 RM0-B T-02 T-03 T-05 T-07</p>	<p>14 spokes front RH + 7 spokes front LH + 21 nipples 8 spokes rear LH + 16 spokes rear RH + 24 nipples spoke + nipple spoke + nipple spoke + nipple spoke + nipple 10 pcs. anti-rotation magnet-attractor for nipple nipple-guide spoke wrench</p>
--	--	--

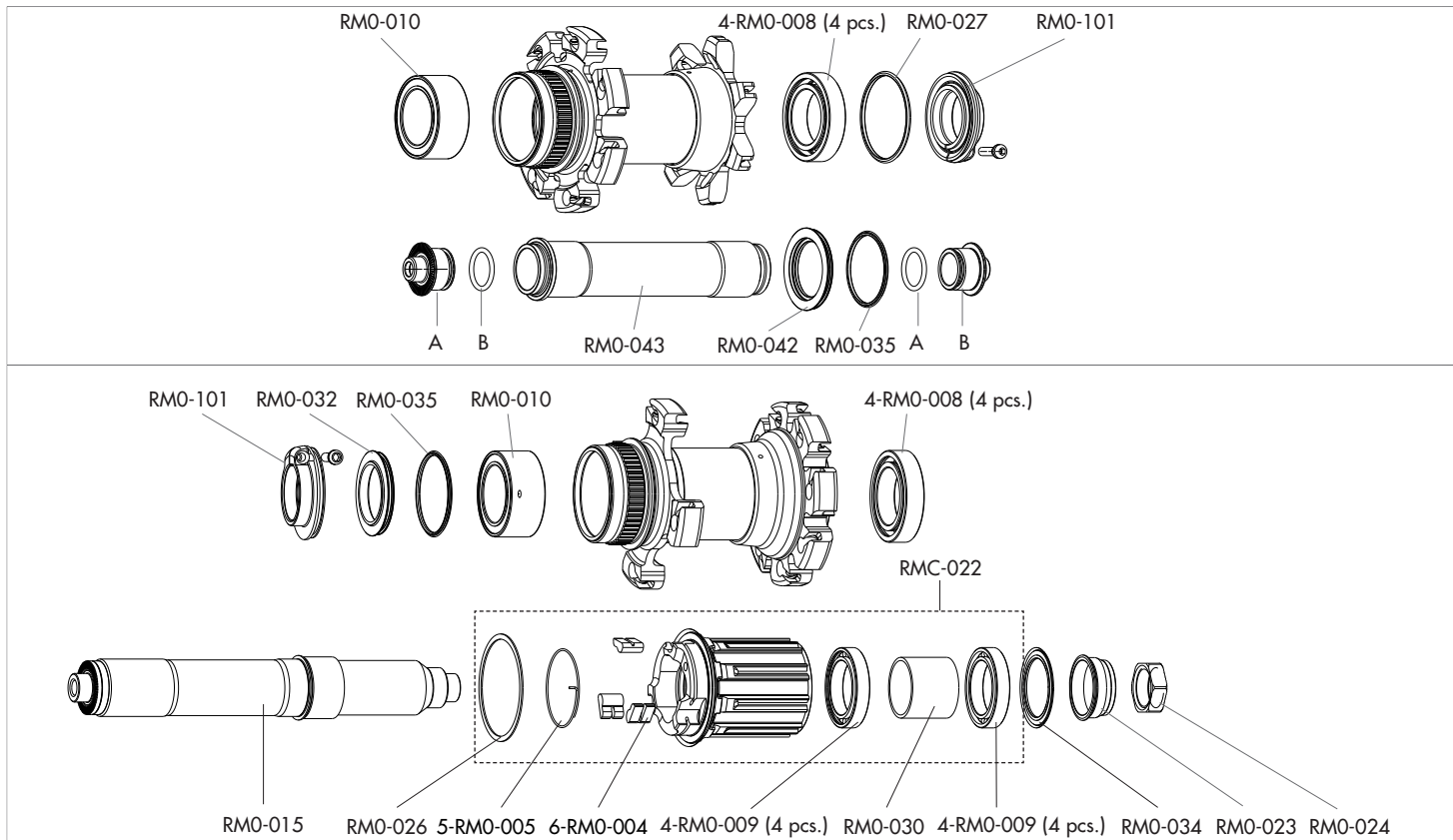
ACCESSORIES

KIT QR	RM11-TAQR	for front wheel (2A + 2B)
KIT 15 thru-axle	RM11-TA15	for front wheel - from QR to 15mm thru axle
AFS LOCKRING	4-M1-101	to fix the brake disc
AFS LOCKRING TOOL	UT-BB130	

RED METAL ZERO XRP

AFS
front: QR/15mm ta
rear: QR

HUBS/MOZZI

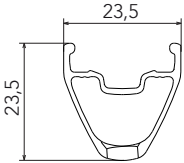


RED METAL 1 XL

6 BOLTS
front: QR/15mm ta
rear: QR

RIMS & SPOKES/CERCHI E RAGGI

RIM

	FRONT/REAR RIM LABEL KIT VALVE HOLE VALVE DIAMETER TYRE SECTION	RM1F-DRB01 (with labels) RM1-LAB10DB (FRONT+REAR) 6,5 mm M1-102 26 Tubeless See recommended tyre manufacturer inflation pressure
---	--	---

SPOKES

SPOKES Front RH/Rear LH SPOKES Front LH/Rear RH NIPPLES SPOKE RING NIPPLE INSERT NIPPLE MAGNET SPOKE SPANNER	RM1-DS11 RM1-DS12 RM0-B T-02 T-03 T-05 T-07	8 spokes + 8 nipples 8 spokes + 8 nipples 10 pcs. anti-rotation magnet-attractor for nipple nipple-guide spoke wrench
--	---	---

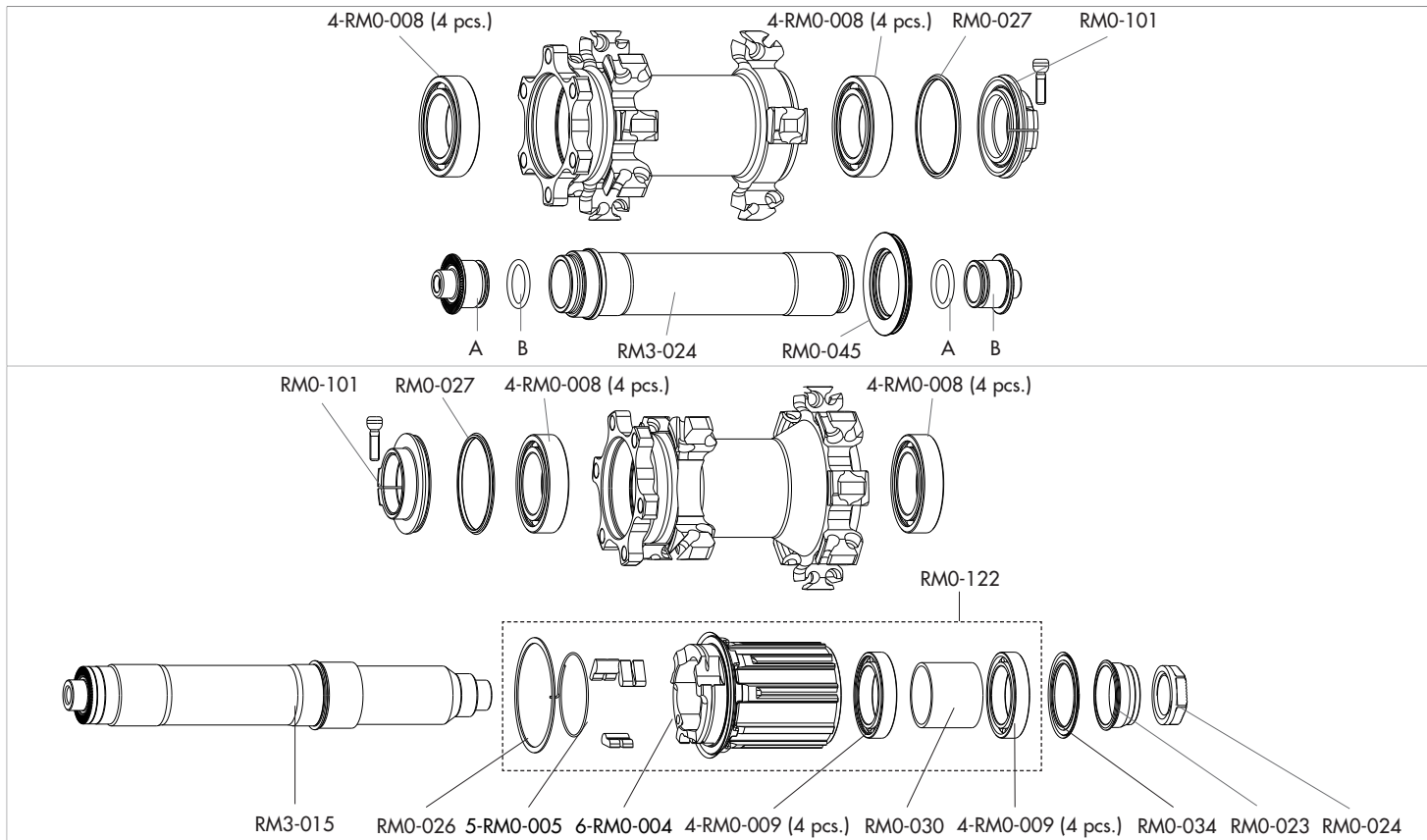
ACCESSORIES

KIT QR	RM11-TAQR	for front wheel (2A + 2B)
KIT 15 thru-axle	RM11-TA15	for front wheel - from QR to 15mm thru axle

RED METAL 1 XL

6 BOLTS
front: QR/15mm ta
rear: QR

HUBS/MOZZI

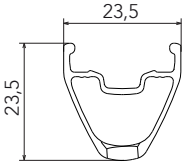


RED METAL 1 XL

6 BOLTS
front: 20mm ta
rear: 12mm ta 135/142

RIMS & SPOKES/CERCHI E RAGGI

RIM

	FRONT/REAR RIM LABEL KIT VALVE HOLE VALVE DIAMETER TYRE SECTION	RM1F-DRB01 (with labels) RM1-LAB10DB (FRONT+REAR) 6,5 mm M1-102 26 Tubeless See recommended tyre manufacturer inflation pressure
---	--	---

SPOKES

SPOKES Front RH/Rear LH SPOKES Front LH/Rear RH NIPPLES SPOKE RING NIPPLE INSERT NIPPLE MAGNET SPOKE SPANNER	RM1-DS11 RM1-DS12 RM0-B T-02 T-03 T-05 T-07	8 spokes + 8 nipples 8 spokes + 8 nipples 10 pcs. anti-rotation magnet-attractor for nipple nipple-guide spoke wrench
--	---	---

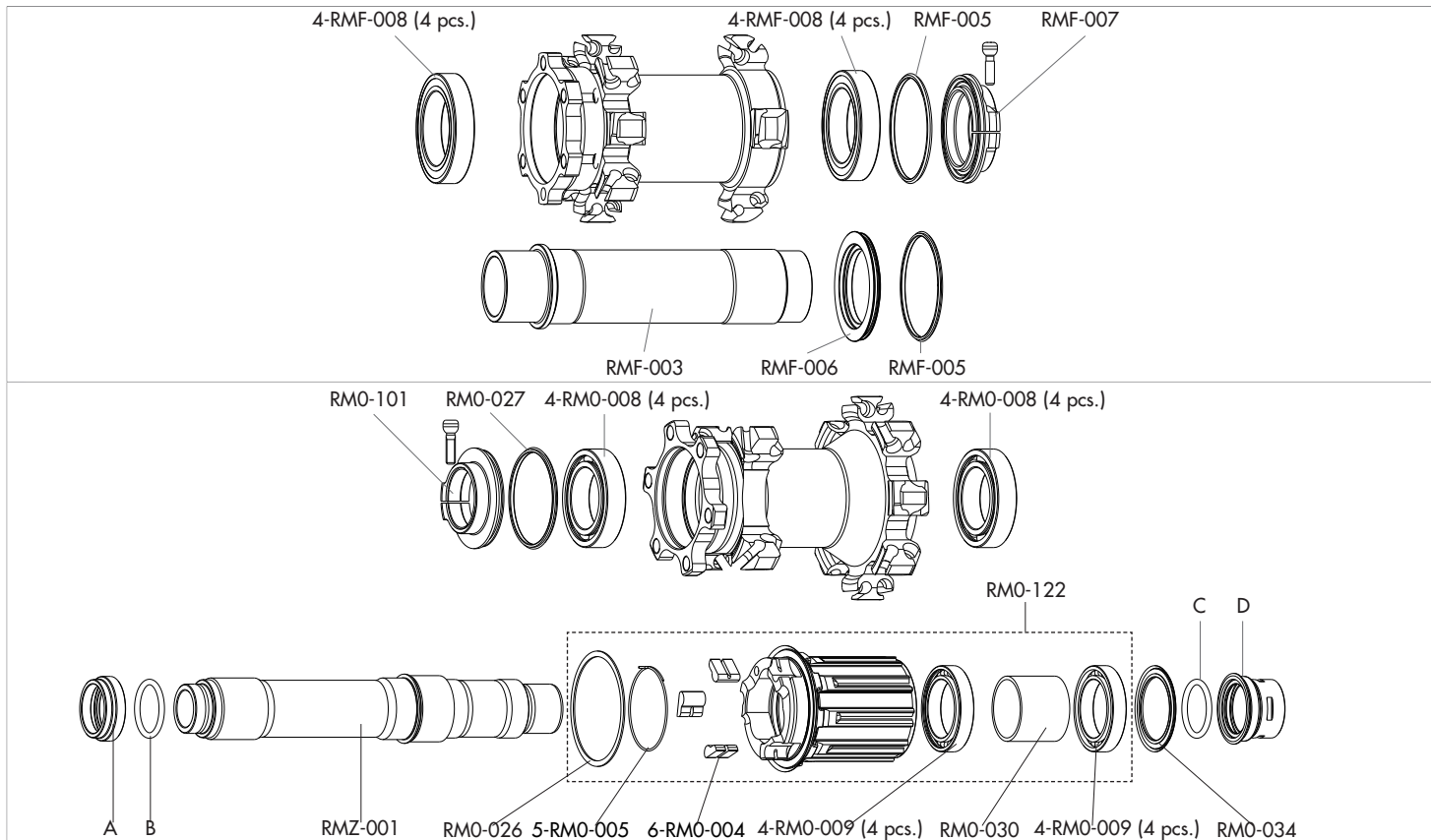
ACCESSORIES

A+B+C+D	135 mm O.L.D.	KIT-X12
A+B+C+D	142 mm O.L.D.	RM11-TA12

RED METAL 1 XL

6 BOLTS
front: 20mm ta
rear: 12mm ta 135/142

HUBS/MOZZI

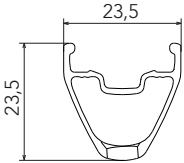


RED METAL 1 XL

AFS
front: QR/15mm ta
rear: QR

RIMS & SPOKES/CERCHI E RAGGI

RIM

	FRONT/REAR RIM LABEL KIT VALVE HOLE VALVE DIAMETER TYRE SECTION	RM1F-DRB01 (with labels) RM1-LAB10DB (FRONT+REAR) 6,5 mm M1-102 26 Tubeless See recommended tyre manufacturer inflation pressure
---	--	---

SPOKES

SPOKES Front RH/Rear LH SPOKES Front LH/Rear RH NIPPLES SPOKE RING NIPPLE INSERT NIPPLE MAGNET SPOKE SPANNER	RM1-DS11 RM1-DS12 RM0-B T-02 T-03 T-05 T-07	8 spokes + 8 nipples 8 spokes + 8 nipples 10 pcs. anti-rotation magnet-attractor for nipple nipple-guide spoke wrench
--	---	---

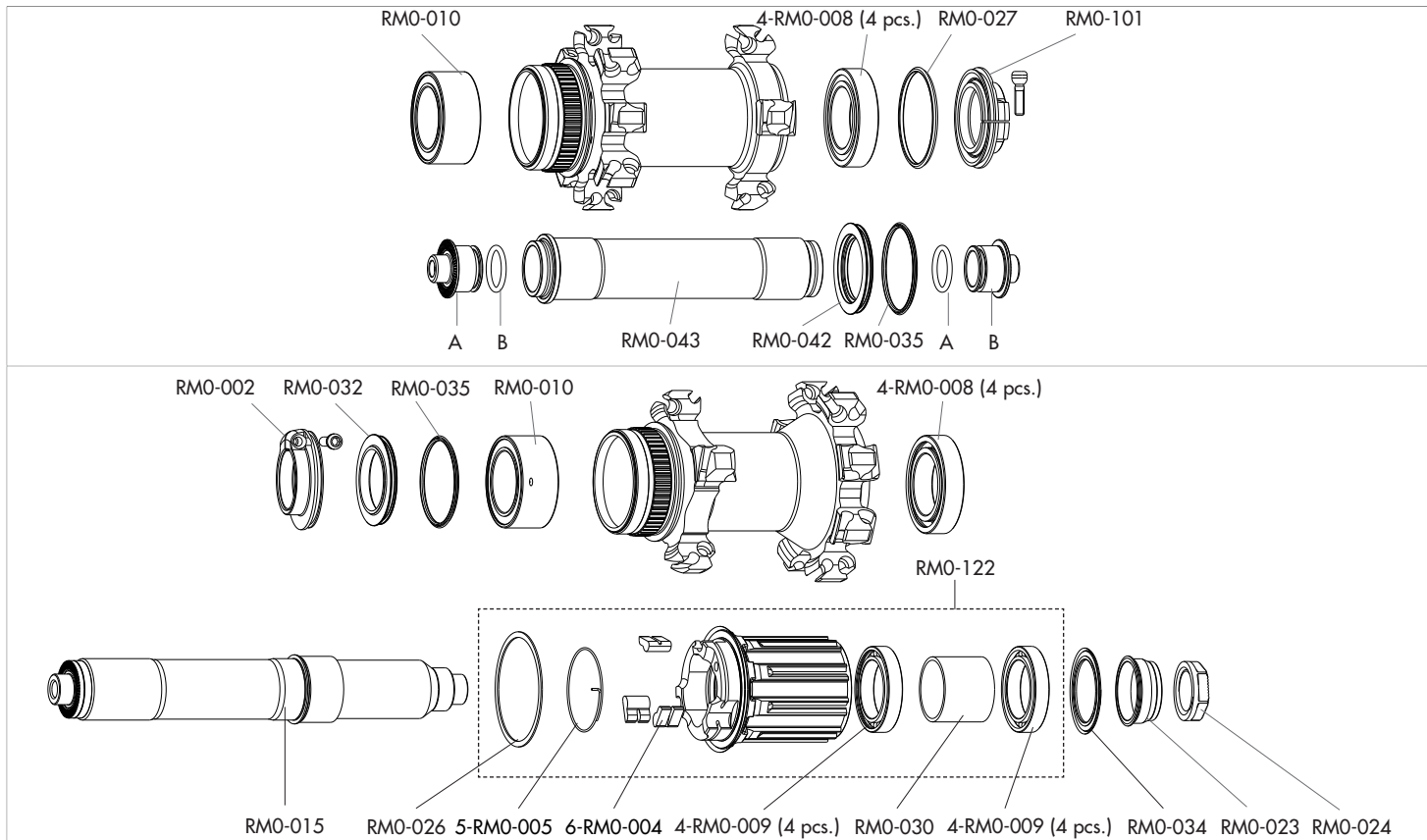
ACCESSORIES

KIT QR	RM11-TAQR	for front wheel (2A + 2B)
KIT 15 thru-axle	RM11-TA15	for front wheel - from QR to 15mm thru axle
AFS LOCKRING	4-M1-101	to fix the brake disc
AFS LOCKRING TOOL	UT-BB130	

RED METAL 1 XL

AFS
front: QR/15mm ta
rear: QR

HUBS/MOZZI

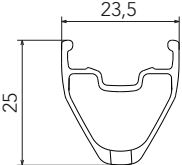


RED METAL 3

6 BOLTS
front: QR/15mm thru
rear: QR

RIMS & SPOKES/CERCHI E RAGGI

RIM

	FRONT/REAR RIM LABEL KIT VALVE HOLE VALVE DIAMETER TYRE SECTION	RM3F-DRB01 (with labels) RM3-LAB10DB (FRONT+REAR) 6,5 mm M1-102 26 Tubeless See recommended tyre manufacturer inflation pressure
---	--	---

SPOKES

SPOKES Front RH/Rear LH SPOKES Front LH SPOKES Rear RH NIPPLES SPOKE RING NIPPLE INSERT NIPPLE MAGNET	RM3-DS11 RM3-DS12 RMZ-DS02 RM3-B T-02 T-10 T-05	8 spokes + 8 nipples 8 spokes + 8 nipples 8 spokes + 8 nipples 50 pcs. anti-rotation magnet-attractor for nipple nipple-guide
---	---	---

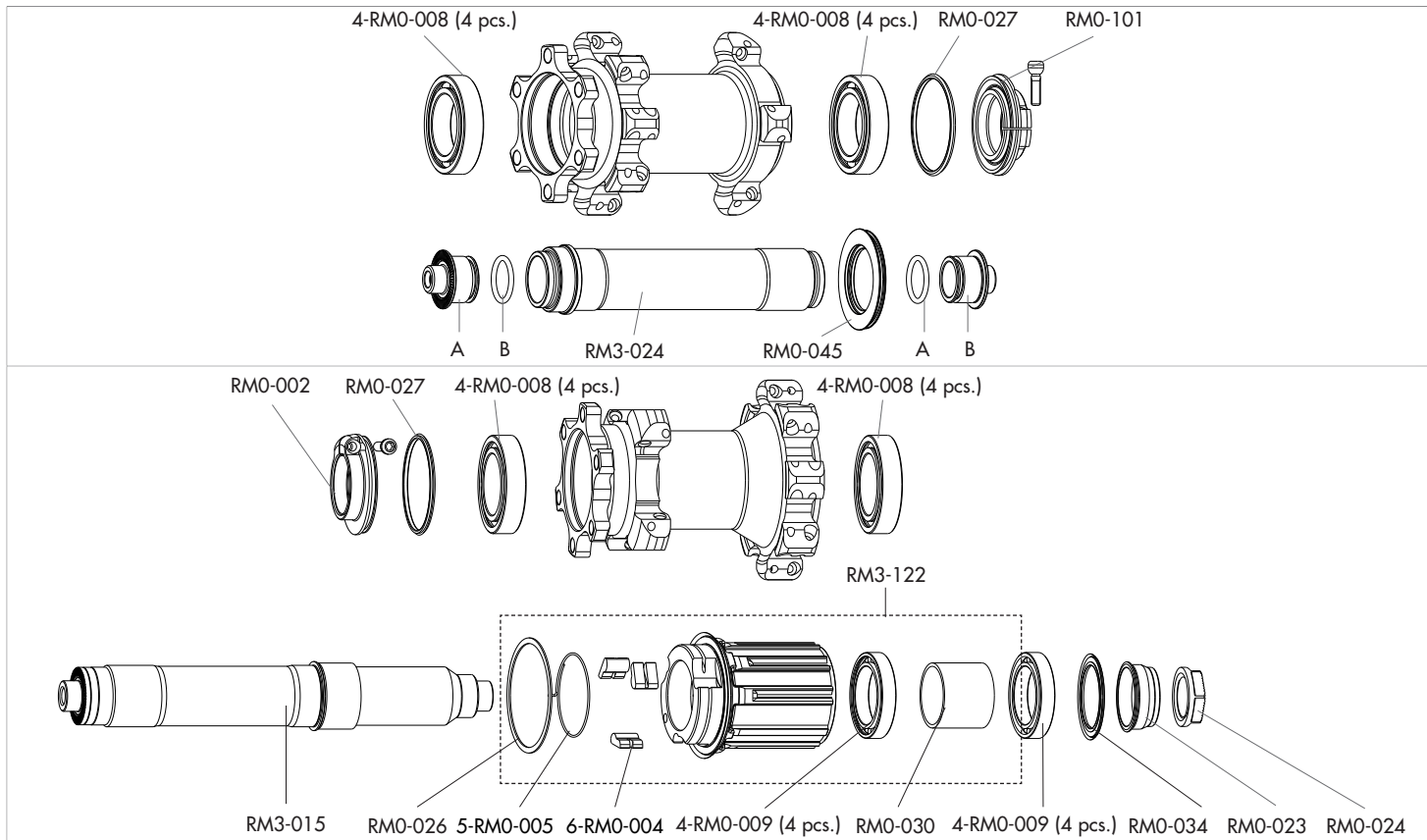
ACCESSORIES

KIT QR	RM11-TAQR	for front wheel (2A + 2B)
KIT 15 thru-axle	RM11-TA15	for front wheel - from QR to 15mm thru axle

RED METAL 3

6 BOLTS
front: QR/15mm ta
rear: QR

HUBS/MOZZI



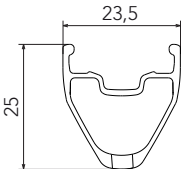
RED METAL 3

6 BOLTS

rear: 12mm to 135/142

RIMS & SPOKES/CERCHI E RAGGI

RIM

	FRONT/REAR RIM LABEL KIT VALVE HOLE VALVE DIAMETER TYRE SECTION	RM3F-DRB01 (with labels) RM3-LAB10DB (FRONT+REAR) 6,5 mm M1-102 26 Tubeless See recommended tyre manufacturer inflation pressure
---	--	---

SPOKES

SPOKES Rear LH SPOKES Rear RH NIPPLES SPOKE RING NIPPLE INSERT NIPPLE MAGNET	RM3-DS11 RMZ-DS02 RM3-B T-02 T-10 T-05	8 spokes + 8 nipples 8 spokes + 8 nipples 50 pcs. anti-rotation magnet-attractor for nipple nipple-guide
---	---	---

ACCESSORIES

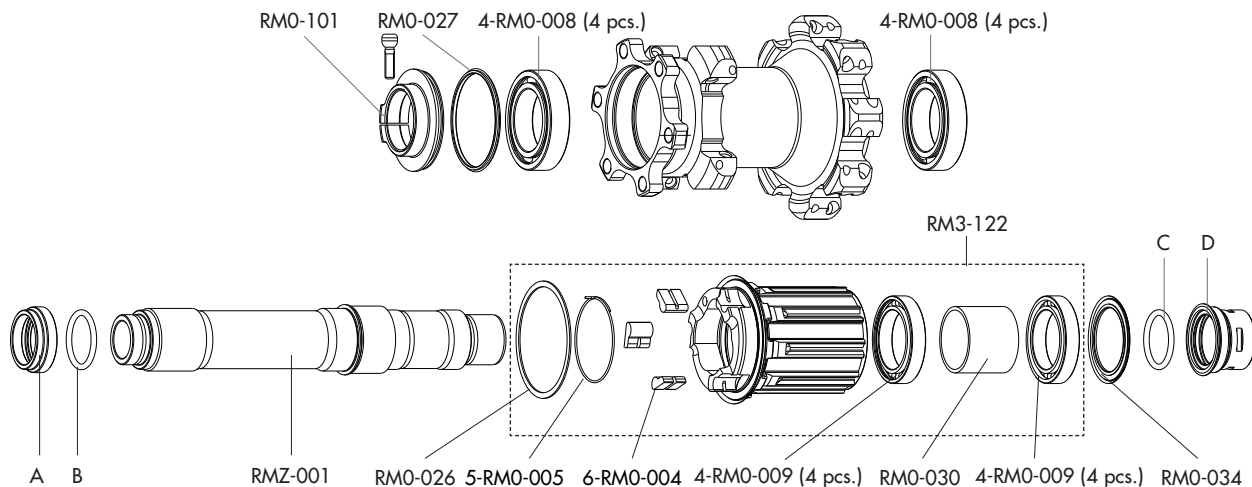
A+B+C+D	135 mm O.L.D.	KIT-X12
A+B+C+D	142 mm O.L.D.	RM11-TA12

RED METAL 3

6 BOLTS

rear: 12mm ta 135/142

HUBS/MOZZI

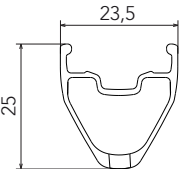


RED METAL 3

AFS
front: QR/15mm thru
rear: QR

RIMS & SPOKES/CERCHI E RAGGI

RIM

	FRONT RIM/POST LABEL KIT VALVE HOLE VALVE DIAMETER TYRE SECTION	RM3F-DRB01 (with labels) RM3-LAB10DB (FRONT+REAR) 6,5 mm M1-102 26 Tubeless See recommended tyre manufacturer inflation pressure
---	--	---

SPOKES

SPOKES Front RH/Rear LH SPOKES Front LH SPOKES Rear RH NIPPLES SPOKE RING NIPPLE INSERT NIPPLE MAGNET	RM3-DS11 RM3-DS12 RMZ-DS02 RM3-B T-02 T-10 T-05	8 spokes + 8 nipples 8 spokes + 8 nipples 8 spokes + 8 nipples 50 pcs. anti-rotation magnet-tractor for nipple nipple-guide
---	---	---

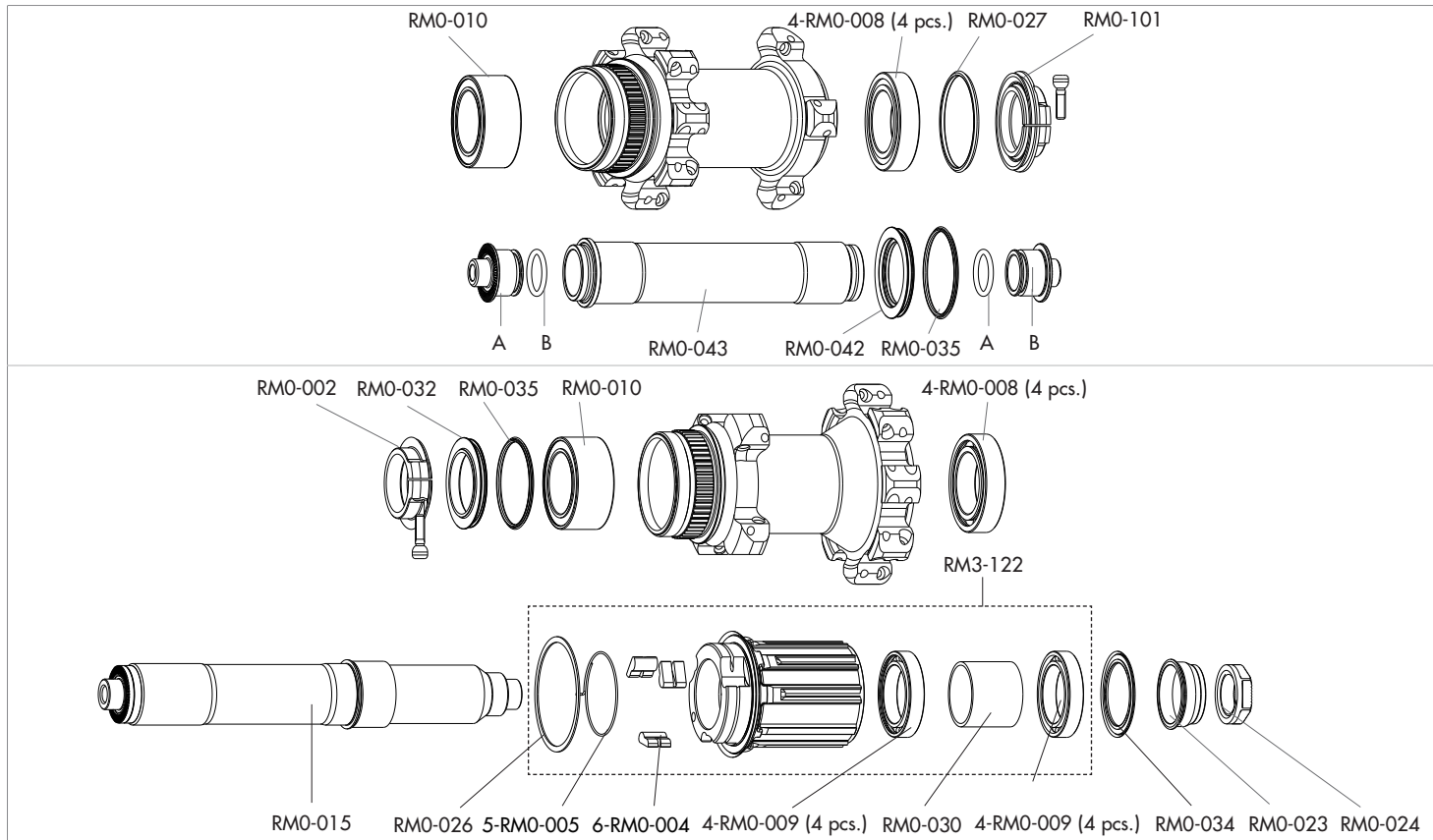
ACCESSORIES

KIT QR	RM11-TAQR	for front wheel (2A + 2B)
KIT 15 thru-axle	RM11-TA15	for front wheel - from QR to 15mm thru axle
AFS LOCKRING	4-M1-101	to fix the brake disc
AFS LOCKRING TOOL	UT-BB130	

RED METAL 3

HUBS/MOZZI

AFS
front: QR/15mm ta
rear: QR

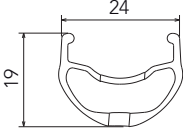


RED POWER XL

6 BOLTS
front: QR/15mm thru axle
rear: QR

RIMS & SPOKES/CERCHI E RAGGI

RIM

	LABEL KIT VALVE HOLE VALVE HOLE BUSHING RIM-TAPE DIAMETER TYRE SECTION	RPX-LAB12DB (FRONT+REAR) 8,5 mm RPX-015 (for valve seat reduction - 10 pcs.) RPX-RT 559 X 19C See section table and inflation pressures on page 130 - 131
---	---	--

SPOKES

SPOKES Front RH SPOKES Front LH SPOKES Rear RH SPOKES Rear LH	RPX-DS01 RPX-DS02 RPX-DS03 RMH-DS02	8 spokes + 8 nipples 8 spokes + 8 nipples 8 spokes + 8 nipples 8 spokes + 8 nipples
--	--	--

ACCESSORIES

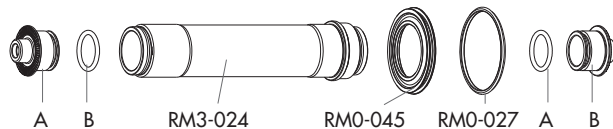
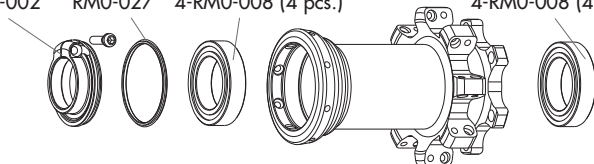
KIT QR	RM11-TAQR	for front wheel (2A + 2B)
KIT 15 thru-axle	RM11-TA15	for front wheel - from QR to 15mm thru axle

RED POWER XL

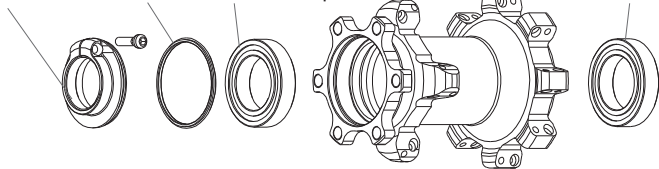
6 BOLTS
front: QR/15mm ta
rear: QR

HUBS/MOZZI

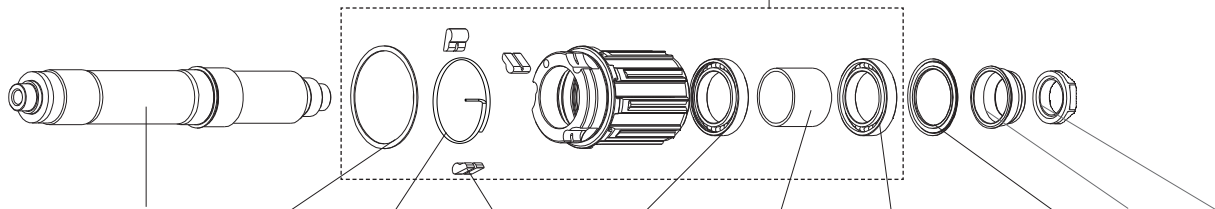
RPX-002 RM0-027 4-RM0-008 (4 pcs.) 4-RM0-008 (4 pcs.)



RM0-101 RM0-027 4-RM0-008 (4 pcs.) 4-RM0-008 (4 pcs.)



RM3-122



RM3-015

RM0-026

5-RM0-005

6-RM0-004

4-RM0-009 (4 pcs.)

RM0-030

4-RM0-009 (4 pcs.)

RM0-034

RM0-023

RM0-024

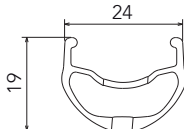
RED POWER XL

6 BOLTS

rear: 12mm to 135/142

RIMS & SPOKES/CERCHI E RAGGI

RIM

	LABEL KIT VALVE HOLE VALVE HOLE BUSHING RIM-TAPE DIAMETER TYRE SECTION	RPX-LAB12DB (FRONT+REAR) 8,5 mm RPX-015 (for valve seat reduction - 10 pcs.) RPX-RT 559 X 19C See section table and inflation pressures on page 130 - 131
---	---	--

SPOKES

SPOKES Rear RH SPOKES Rear LH	RPX-DS03 RMH-DS02	8 spokes + 8 nipples 8 spokes + 8 nipples
----------------------------------	----------------------	--

ACCESSORIES

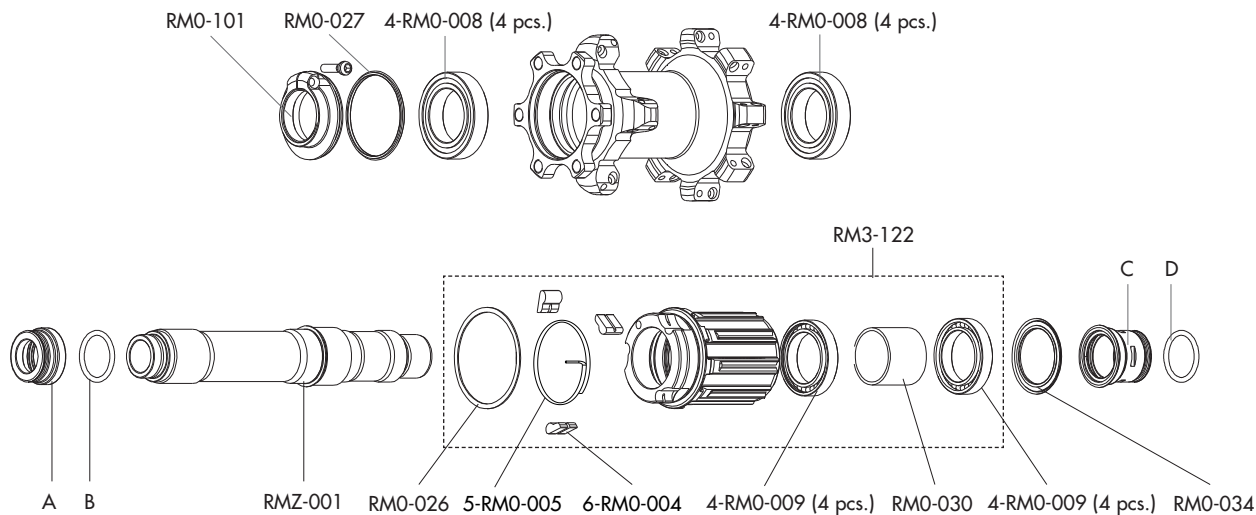
A+B+C+D	135 mm O.L.D.	KIT-X12
A+B+C+D	142 mm O.L.D.	RM11-TA12

RED POWER XL

6 BOLTS

rear: 12mm to 135/142

HUBS/MOZZI

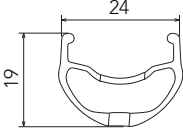


RED POWER XL

AFS
front: QR/15mm ta
rear: QR

RIMS & SPOKES/CERCHI E RAGGI

RIM

	LABEL KIT VALVE HOLE VALVE HOLE BUSHING RIM-TAPE DIAMETER TYRE SECTION	RPX-LAB12DB (FRONT+REAR) 8,5 mm RPX-015 (for valve seat reduction - 10 pcs.) RPX-RT 559 X 19C See section table and inflation pressures on page 130 - 131
---	---	--

SPOKES

SPOKES Front RH SPOKES Front LH SPOKES Rear RH SPOKES Rear LH	RPX-DS01 RPX-DS02 RPX-DS03 RMH-DS02	8 spokes + 8 nipples 8 spokes + 8 nipples 8 spokes + 8 nipples 8 spokes + 8 nipples
--	--	--

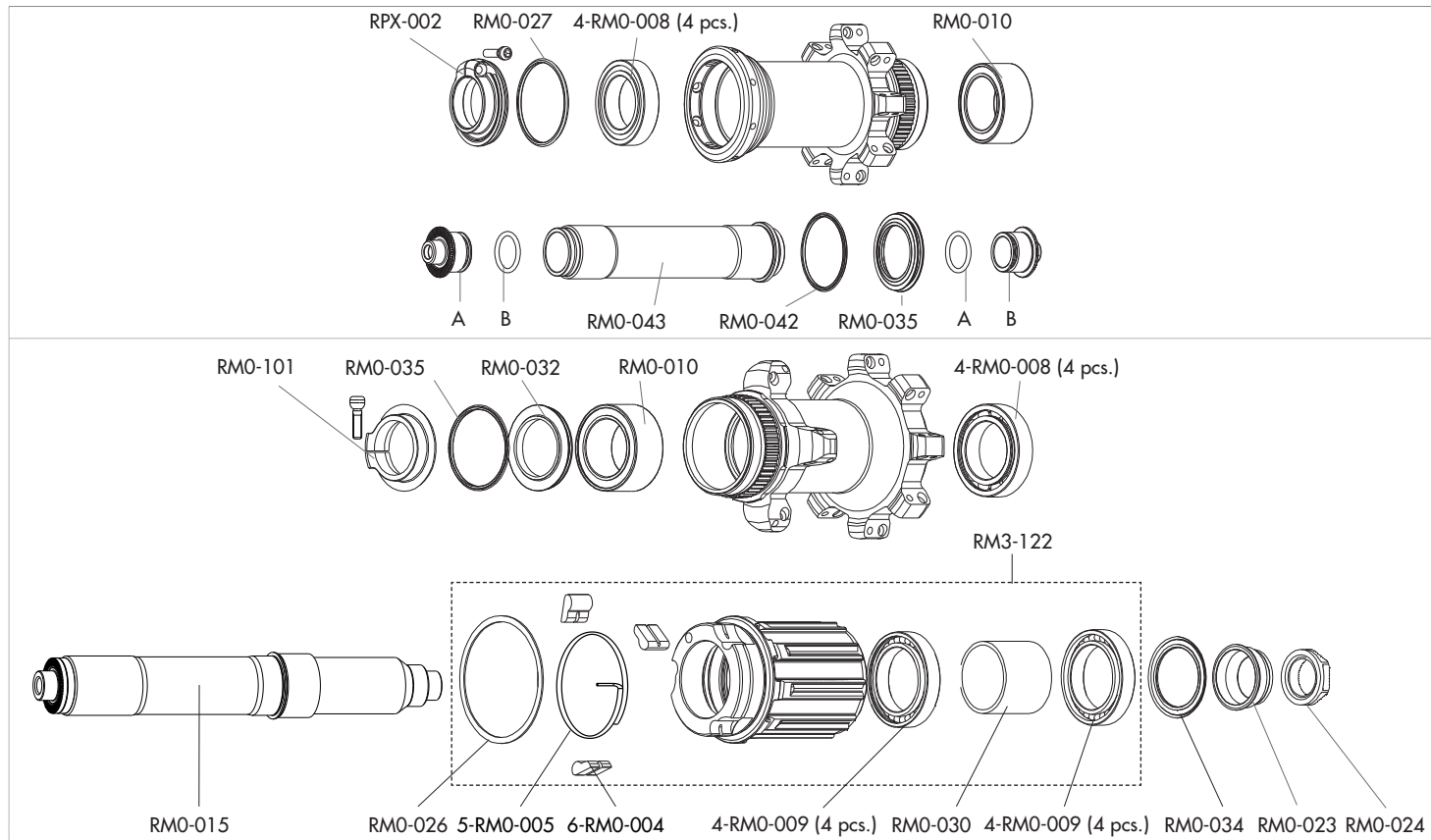
ACCESSORIES

KIT QR	RM11-TAQR	for front wheel (2A + 2B)
KIT 15 thru-axle	RM11-TA15	for front wheel - from QR to 15mm thru axle
AFS LOCKRING	4-M1-101	to fix the brake disc
AFS LOCKRING TOOL	UT-BB130	

RED POWER XL

AFS
front: QR/15mm ta
rear: QR

HUBS/MOZZI



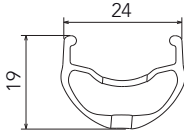
RED POWER XL

AFS

rear: 12mm to 135/142

RIMS & SPOKES/CERCHI E RAGGI

RIM

	LABEL KIT VALVE HOLE VALVE HOLE BUSHING RIM-TAPE DIAMETER TYRE SECTION	RPX-LAB12DB (FRONT+REAR) 8,5 mm RPX-015 (for valve seat reduction - 10 pcs.) RPX-RT 559 X 19C See section table and inflation pressures on page 130 - 131
---	---	--

SPOKES

SPOKES Rear RH SPOKES Rear LH	RPX-DS03 RMH-DS02	8 spokes + 8 nipples 8 spokes + 8 nipples
----------------------------------	----------------------	--

ACCESSORIES

A+B+C+D	135 mm O.L.D.	KIT-X12AFS
A+B+C+D	142 mm O.L.D.	RM11-TA12AFS
AFS LOCKRING	4-M1-101	to fix the brake disc
AFS LOCKRING TOOL	UT-BB130	

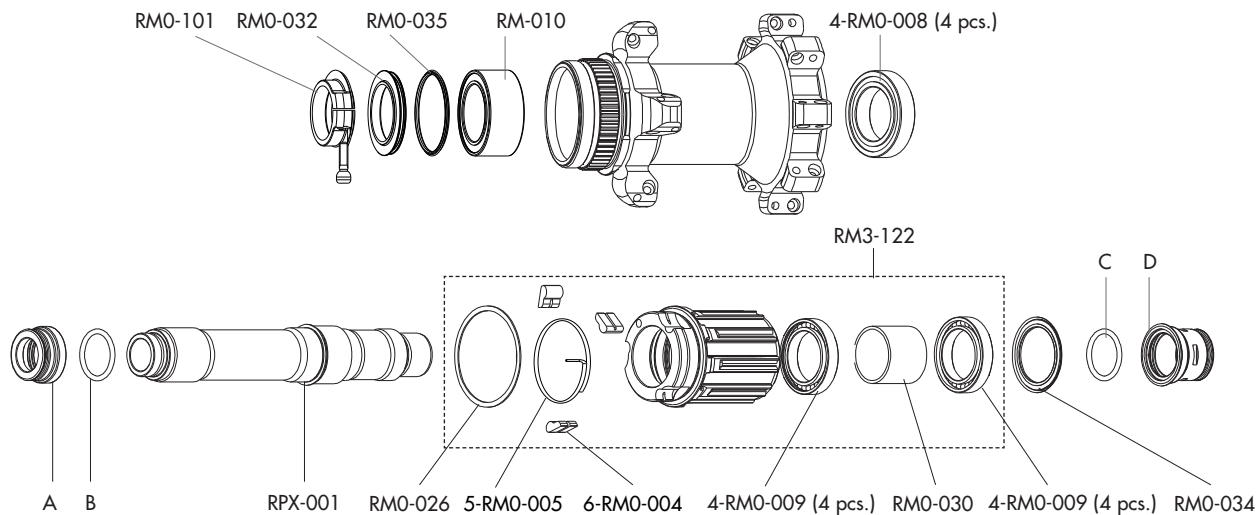
OFF-ROAD

RED POWER XL

AFS

rear: 12mm ta 135/142

HUBS/MOZZI

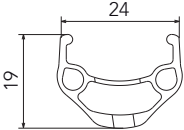


RED POWER SL

6 BOLTS
front: QR
rear: QR

RIMS & SPOKES/CERCHI E RAGGI

RIM

	LABEL KIT VALVE HOLE VALVE HOLE BUSHING RIM-TAPE DIAMETER TYRE SECTION	RPS-LAB12DB (FRONT+REAR) 8,5 mm RPX-015 (for valve seat reduction - 10 pcs.) RPX-RT 559 X 19C See section table and inflation pressures on page 130 - 131
---	---	--

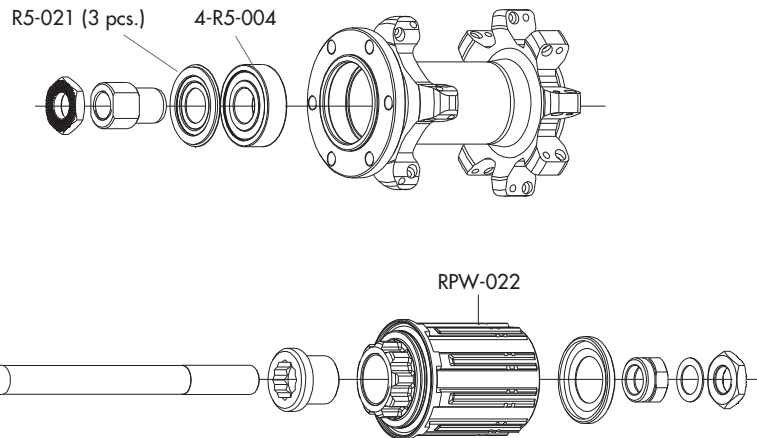
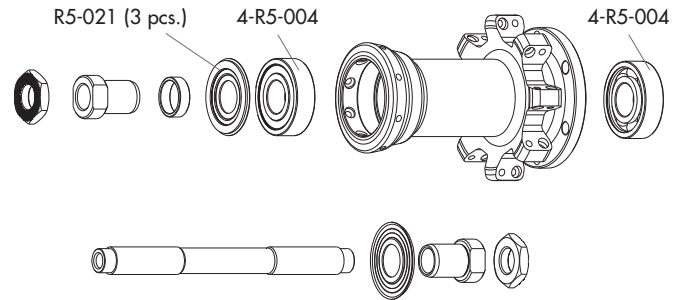
SPOKES

SPOKES Front RH SPOKES Front LH/Rear RH SPOKES Rear LH	RPS-DS02 RPS-DS01 RPS-DS03	8 spokes + 8 nipples 8 spokes + 8 nipples 8 spokes + 8 nipples
--	----------------------------------	--

RED POWER SL

6 BOLTS
front: QR
rear: QR

HUBS/MOZZI



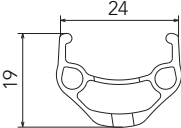
RED POWER SL

6 BOLTS

front: 15mm thru-axle

RIMS & SPOKES/CERCHI E RAGGI

RIM

	LABEL KIT VALVE HOLE VALVE HOLE BUSHING RIM-TAPE DIAMETER TYRE SECTION	RPS-LAB12DB (FRONT+REAR) 8,5 mm RPX-015 (for valve seat reduction - 10 pcs.) RPX-RT 559 X 19C See section table and inflation pressures on page 130 - 131
---	---	--

SPOKES

SPOKES Front RH SPOKES Front LH	RPS-DS04 RPS-DS01	8 spokes + 8 nipples 8 spokes + 8 nipples
------------------------------------	----------------------	--

ACCESSORIES

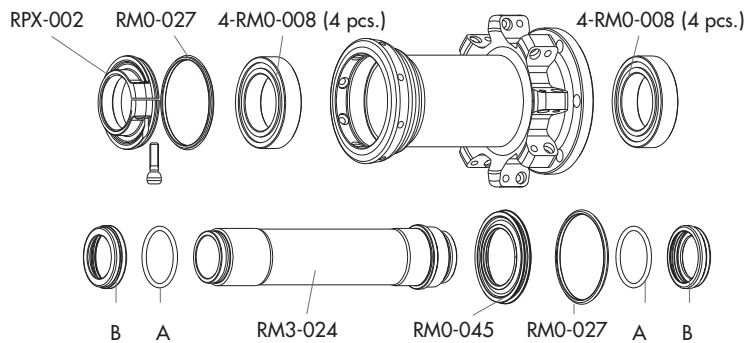
KIT 15 thru-axle	RM11-TA15	for front wheel - from QR to 15mm thru axle
------------------	-----------	---

RED POWER SL

6 BOLTS

front: 15mm thru-axle

HUBS/MOZZI

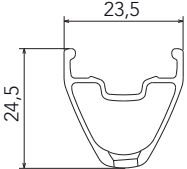


RED METAL XRP 650B

6 BOLTS
front: QR/15mm thru
rear: QR

RIMS & SPOKES/CERCHI E RAGGI

RIM

	FRONT RIM REAR RIM LABEL KIT VALVE HOLE VALVE DIAMETER TYRE SECTION	RM7F-DRB (with labels) RM7R-DRB (with labels) RM7-LAB 1 4DB (FRONT+REAR) 6,5 mm M1-102 27,5 Tubeless See recommended tyre manufacturer inflation pressure
---	---	---

SPOKES

SPOKES Front LH / Rear RH SPOKES Front RH SPOKES Rear LH NIPPLES SPOKE RING NIPPLE INSERT NIPPLE MAGNET SPOKE SPANNER	RM7-DS01 RM7-DS02 RM7-DS03 RM9-R T-02 T-11 T-05 T-07	8 spokes + 8 nipples 8 spokes + 8 nipples 8 spokes + 8 nipples 10 pcs anti-rotation magnet-attractor for nipple nipple-guide spoke wrench
--	---	--

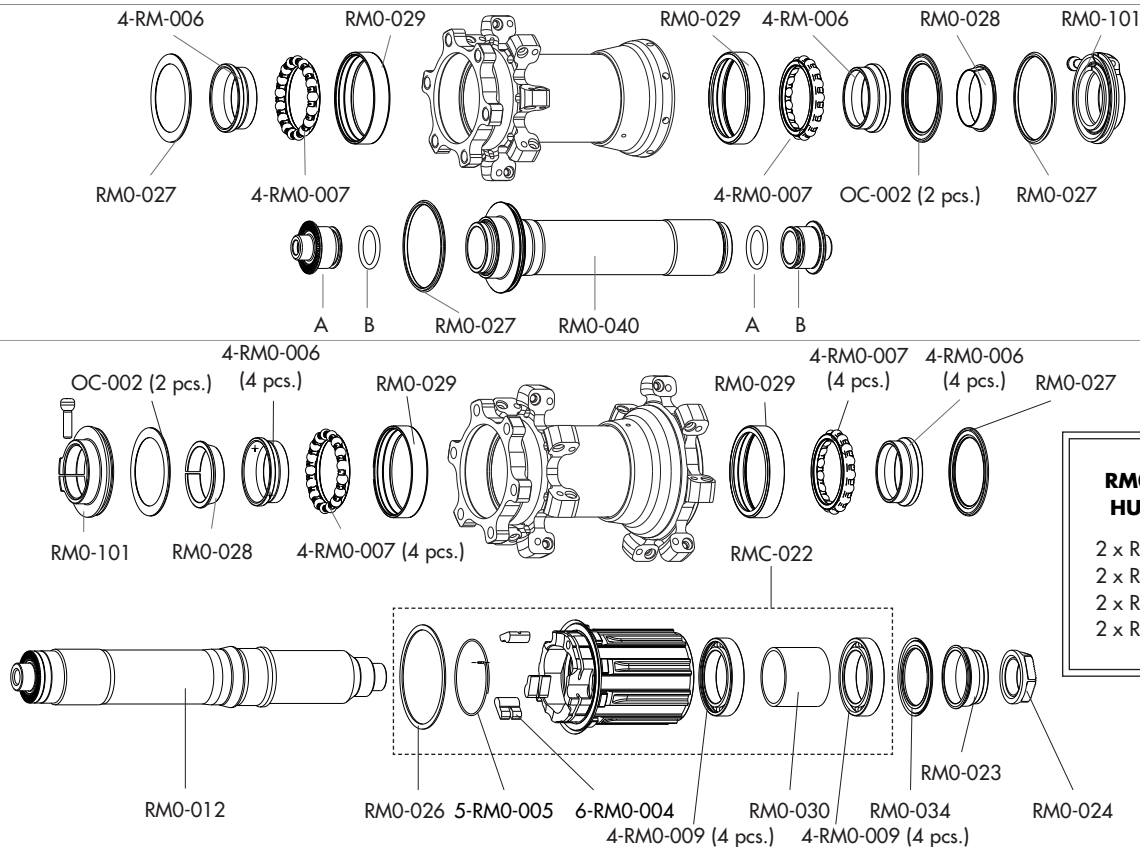
ACCESSORIES

KIT QR	RM11-TAQR	for front wheel (2A + 2B)
KIT 15 thru-axle	RM11-TA15	for front wheel - from QR to 15mm thru axle

RED METAL XRP 650B

6 BOLTS
front: QR/15mm ta
rear: QR

HUBS/MOZZI

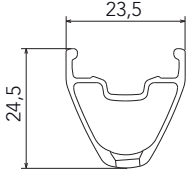


RED METAL XRP 650B

AFS
front: QR/15mm ta
rear: QR

RIMS & SPOKES/CERCHI E RAGGI

RIM

	FRONT RIM REAR RIM LABEL KIT VALVE HOLE VALVE DIAMETER TYRE SECTION	RM7F-DRB (with labels) RM7R-DRB (with labels) RM7-LAB 1 4DB (FRONT+REAR) 6,5 mm M1-102 27,5 Tubeless See recommended tyre manufacturer inflation pressure
---	---	---

SPOKES

SPOKES Front LH / Rear RH SPOKES Front RH SPOKES Rear LH NIPPLES SPOKE RING NIPPLE INSERT NIPPLE MAGNET SPOKE SPANNER	RM7-DS01 RM7-DS02 RM7-DS03 RM9-R T-02 T-11 T-05 T-07	8 spokes + 8 nipples 8 spokes + 8 nipples 8 spokes + 8 nipples 10 pcs anti-rotation magnet-attractor for nipple nipple-guide spoke wrench
--	---	--

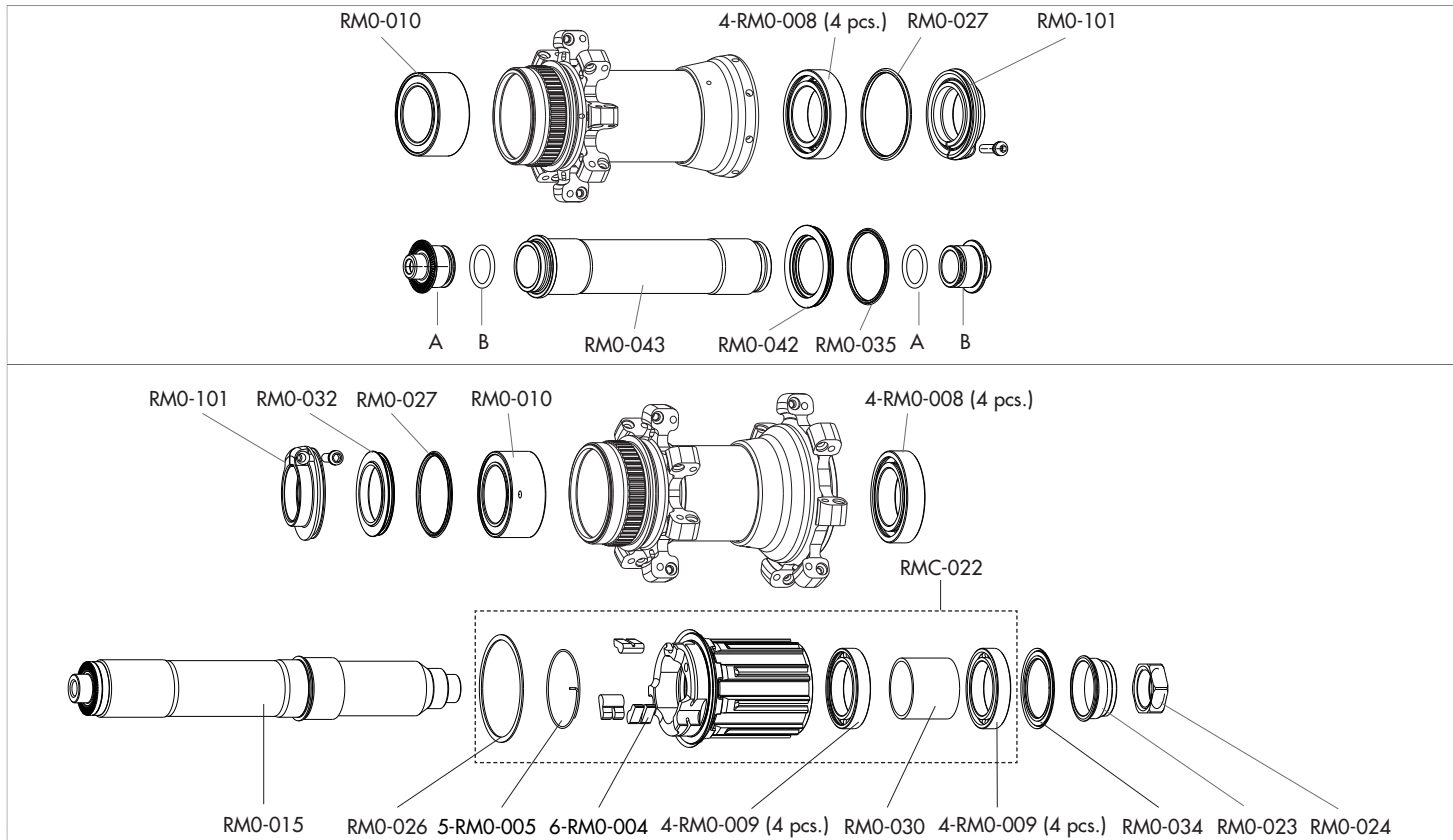
ACCESSORIES

KIT QR	RM11-TAQR	for front wheel (2A + 2B)
KIT 15 thru-axle	RM11-TA15	for front wheel - from QR to 15mm thru axle
AFS LOCKRING	4-M1-101	to fix the brake disc
AFS LOCKRING TOOL	UT-BB130	

RED METAL XRP 650B

AFS
front: QR/15mm ta
rear: QR

HUBS/MOZZI



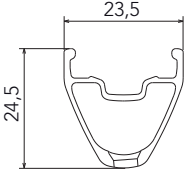
RED METAL XRP 650B

6 BOLTS

rear: 12mm to 135/142

RIMS & SPOKES/CERCHI E RAGGI

RIM

	REAR RIM LABEL KIT VALVE HOLE VALVE DIAMETER TYRE SECTION	RM7R-DRB (with labels) RM7-LAB1 4DB (FRONT+REAR) 6,5 mm M1-102 29 Tubeless See recommended tyre manufacturer inflation pressure
---	--	--

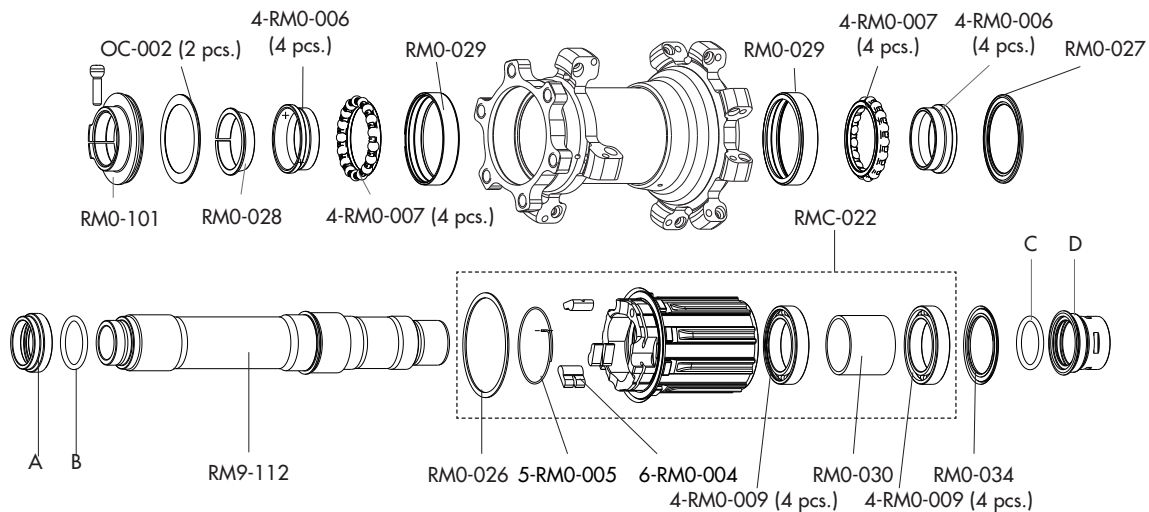
SPOKES

SPOKES Rear RH SPOKES Rear LH NIPPLES SPOKE RING NIPPLE INSERT NIPPLE MAGNET SPOKE SPANNER	RM7-DS01 RM7-DS03 RM9-R T-02 T-11 T-05 T-07	8 spokes + 8 nipples 8 spokes + 8 nipples 10 pcs anti-rotation magnet-attractor for nipple nipple-guide spoke wrench
--	---	--

RED METAL XRP 650B

6 BOLTS
rear: 12mm ta 135/142
Shimano FW body

HUBS/MOZZI



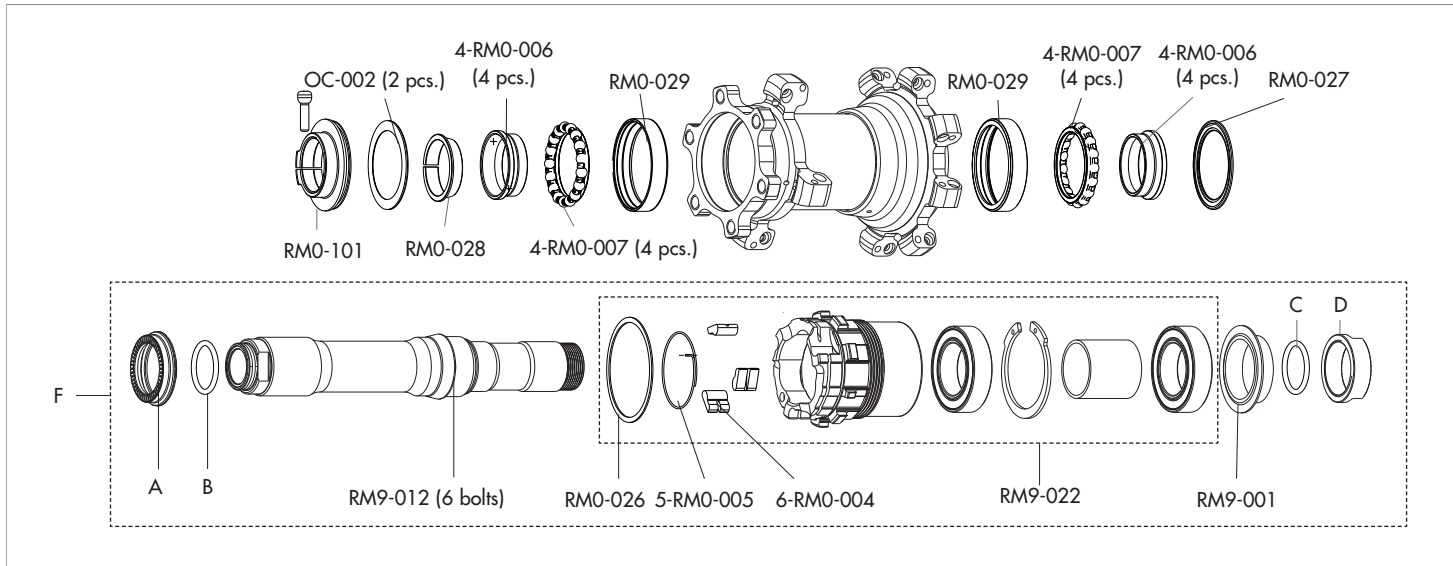
ACCESSORIES

A+B+C+D (HG FW body)	135 mm O.L.D.	KIT-X12
A+B+C+D (HG FW body)	142 mm O.L.D.	RM11-TA12

RED METAL XRP 650B

6 BOLTS
rear: 12mm to 135/142
XD FW body

HUBS/MOZZI



ACCESSORIES

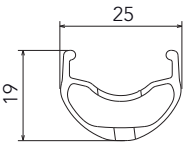
F	RM9-XD	KIT XD - 6 bolts
F	RM9-XDAFS	KIT XD - AFS
A+B+C+D	RM14-TA12135XD	135 mm O.L.D.
A+B+C+D	RM14-TA12142XD	142 mm O.L.D.

RED POWER XL 650B

6 BOLTS
front: QR/15mm ta
rear: QR

RIMS & SPOKES/CERCHI E RAGGI

RIM

	LABEL KIT VALVE HOLE VALVE HOLE BUSHING RIM-TAPE DIAMETER TYRE SECTION	RP7-LAB14DB (FRONT+REAR) 8,5 mm RPX-015 (for valve seat reduction - 10 pcs.) RP7-RT 584 X 19C See section table and inflation pressures on page 130 - 131
---	---	--

SPOKES

SPOKES Front LH / Rear RH SPOKES Front RH SPOKES Rear LH	RP7-DS01 RP7-DS02 RP7-DS03	8 spokes + 8 nipples 8 spokes + 8 nipples 8 spokes + 8 nipples
--	----------------------------------	--

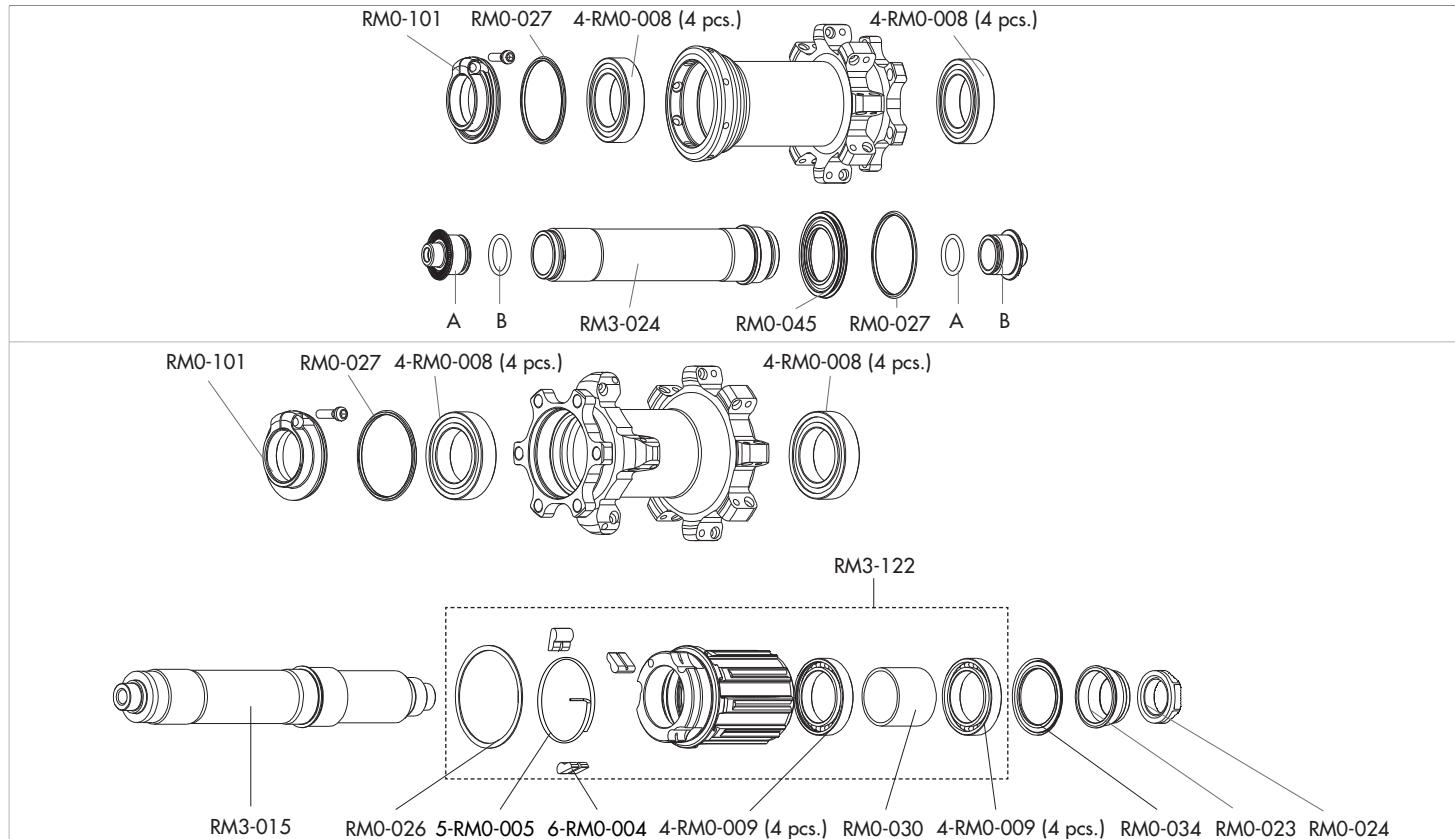
ACCESSORIES

KIT QR	RM11-TAQR	for front wheel (2A + 2B)
KIT 15 thru-axle	RM11-TA15	for front wheel - from QR to 15mm thru axle

RED POWER XL 650B

6 BOLTS
front: QR/15mm ta
rear: QR

HUBS/MOZZI



OFF-ROAD

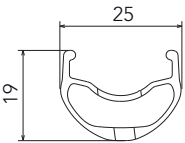
RED POWER XL 650B

6 BOLTS

rear: 12mm ta 135/142

RIMS & SPOKES/CERCHI E RAGGI

RIM

	LABEL KIT VALVE HOLE VALVE HOLE BUSHING RIM-TAPE DIAMETER TYRE SECTION	RP7-LAB14DB (FRONT+REAR) 8,5 mm RPX-015 (for valve seat reduction - 10 pcs.) RP7-RT 584 X 19C See section table and inflation pressures on page 130 - 131
---	---	--

SPOKES

SPOKES Rear RH SPOKES Rear LH	RP7-DS01 RP7-DS03	8 spokes + 8 nipples 8 spokes + 8 nipples
----------------------------------	----------------------	--

ACCESSORIES

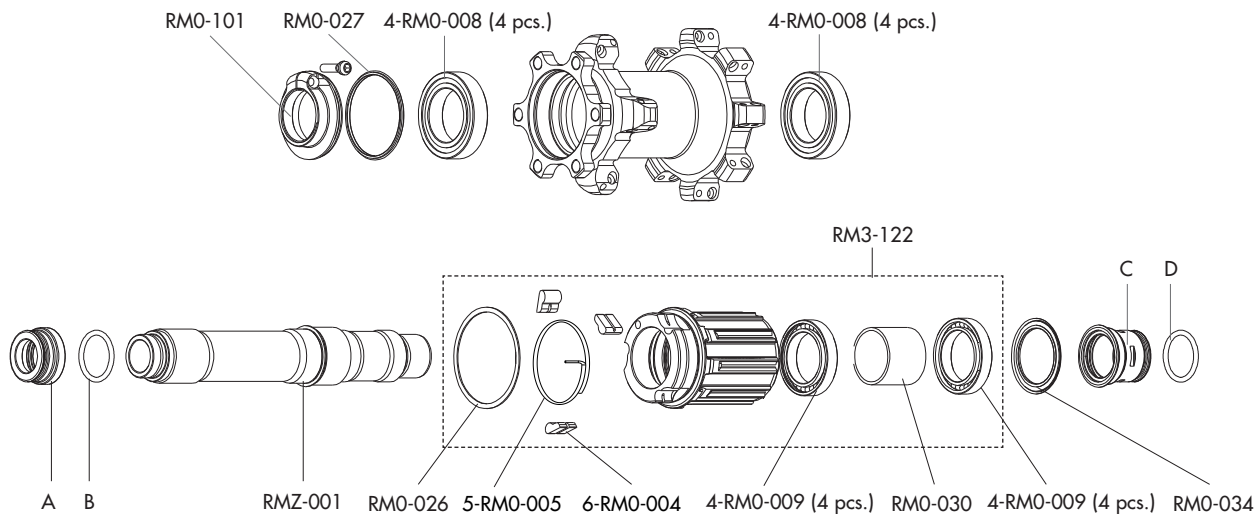
A+B+C+D	135 mm O.L.D.	KIT-X12
A+B+C+D	142 mm O.L.D.	RM11-TA12

RED POWER XL 650B

6 BOLTS

rear: 12mm ta 135/142

HUBS/MOZZI



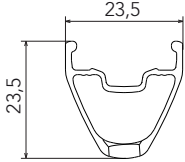
OFF-ROAD

RED METAL 29 XRP

6 BOLTS
front: QR/15mm ta
rear: QR

RIMS & SPOKES/CERCHI E RAGGI

RIM

	FRONT RIM REAR RIM LABEL KIT VALVE HOLE VALVE DIAMETER TYRE SECTION	RM9F-DRB (with labels) RM9R-DRB (with labels) RM9-LAB13DB (FRONT+REAR) 6,5 mm M1-102 29 Tubeless See recommended tyre manufacturer inflation pressure
---	---	---

SPOKES

SPOKES Front LH SPOKES Front RH SPOKES Rear NIPPLES NIPPLE INSERT NIPPLE MAGNET SPOKE SPANNER	RM9F-DS01 RM9F-DS02 RM9R-DS01 RM9-R T-11 T-05 T-18	8 spokes + 8 nipples 8 spokes + 8 nipples 8 spokes + 8 nipples 10 pcs magnet-attractor for nipple nipple-guide spoke wrench
---	--	---

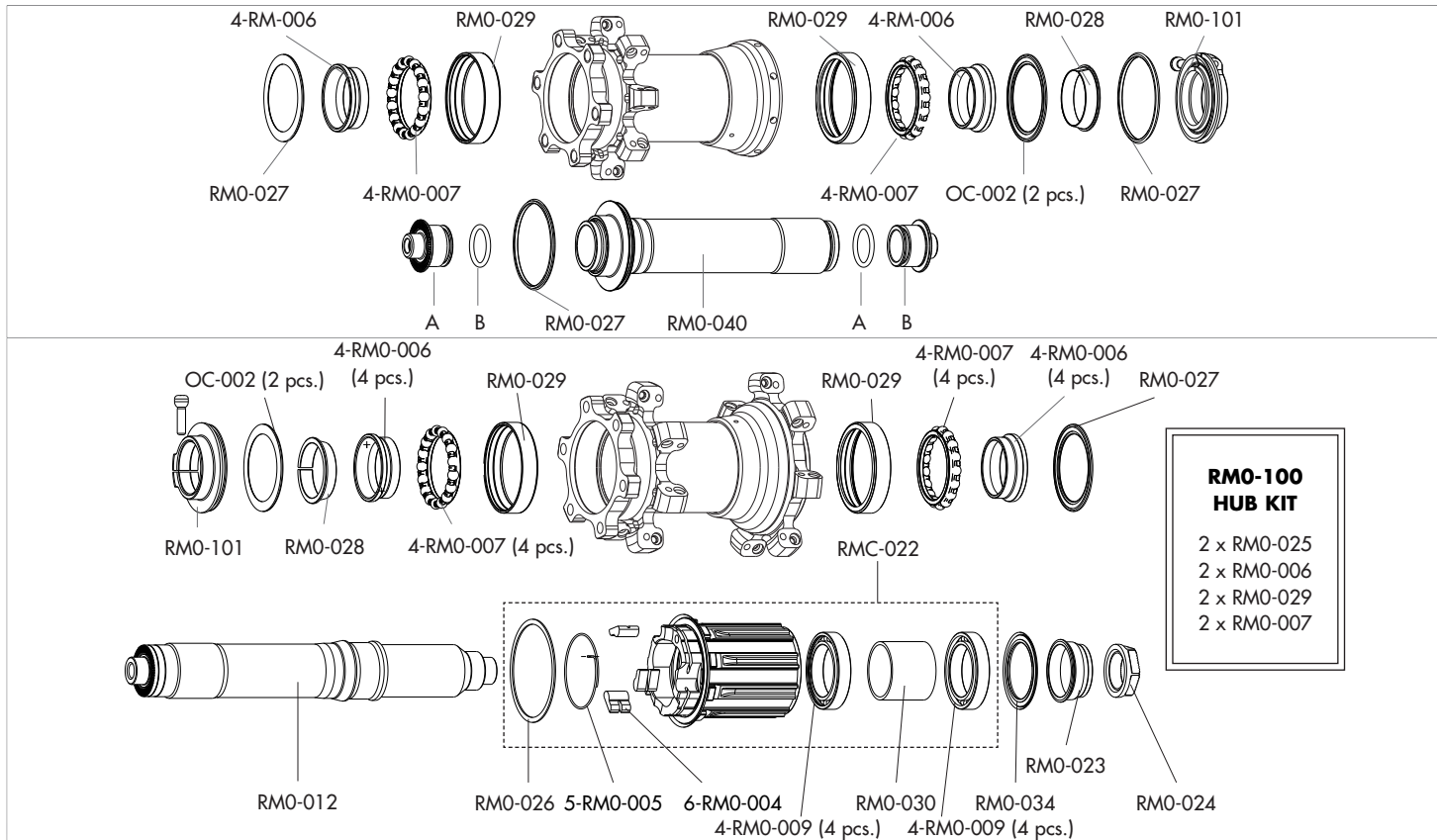
ACCESSORIES

KIT QR	RM11-TAQR	for front wheel (2A + 2B)
KIT 15 thru-axle	RM11-TA15	for front wheel - from QR to 15mm thru axle

RED METAL 29 XRP

6 BOLTS
front: QR/15mm ta
rear: QR

HUBS/MOZZI

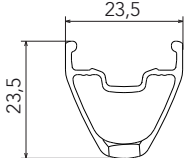


RED METAL 29 XRP

AFS
front: QR/15mm ta
rear: QR

RIMS & SPOKES/CERCHI E RAGGI

RIM

	FRONT RIM REAR RIM LABEL KIT VALVE HOLE VALVE DIAMETER TYRE SECTION	RM9F-DRB (with labels) RM9R-DRB (with labels) RM9-LAB13DB (FRONT+REAR) 6,5 mm M1-102 29 Tubeless See recommended tyre manufacturer inflation pressure
---	---	---

SPOKES

SPOKES Front LH SPOKES Front RH SPOKES Rear NIPPLES NIPPLE INSERT NIPPLE MAGNET SPOKE SPANNER	RM9F-DS01 RM9F-DS02 RM9R-DS01 RM9-R T-11 T-05 T-18	8 spokes + 8 nipples 8 spokes + 8 nipples 8 spokes + 8 nipples 10 pcs magnet-attractor for nipple nipple-guide spoke wrench
---	--	---

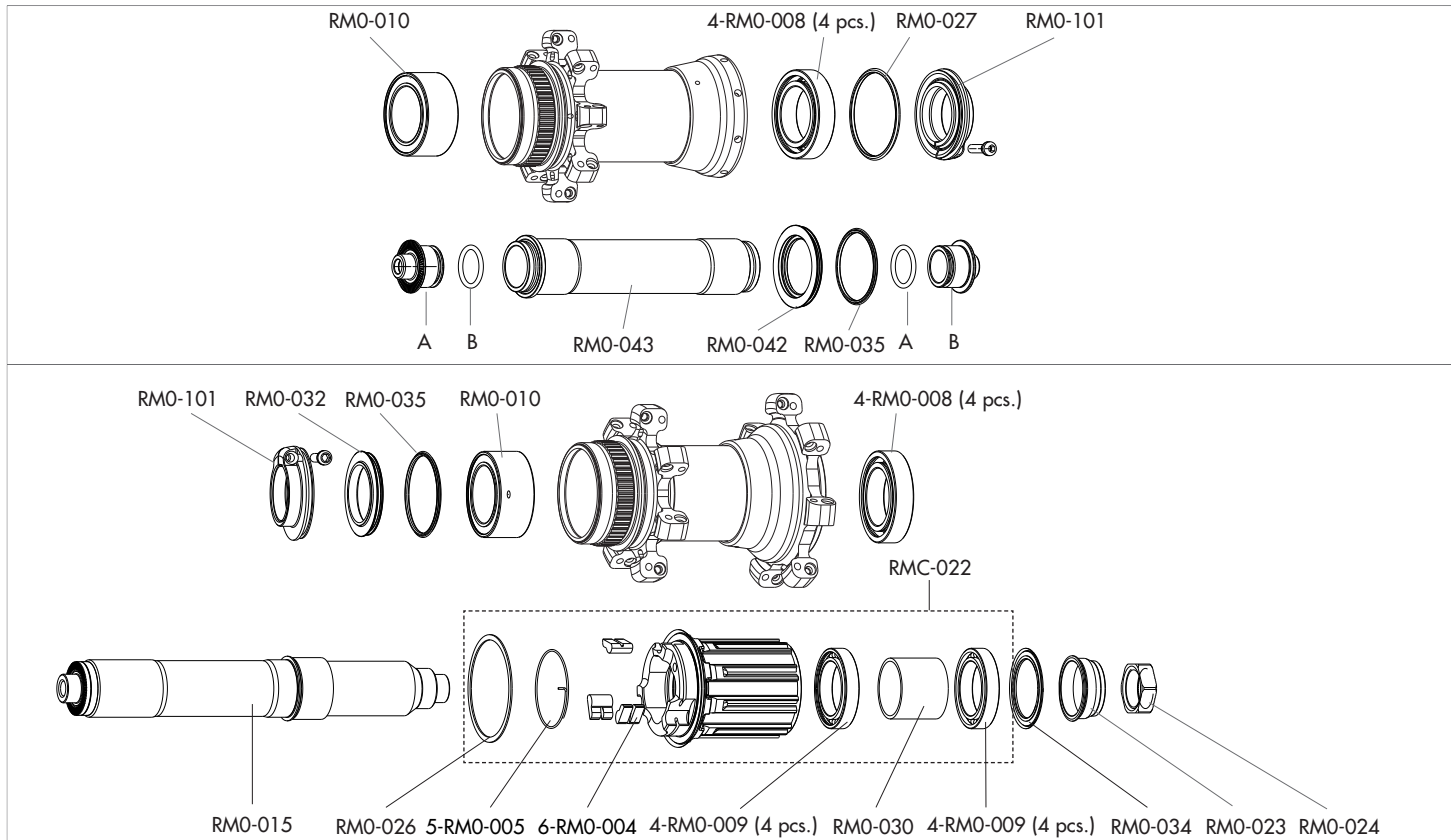
ACCESSORIES

KIT QR	RM11-TAQR	for front wheel (2A + 2B)
KIT 15 thru-axle	RM11-TA15	for front wheel - from QR to 15mm thru axle
AFS LOCKRING	4-M1-101	to fix the brake disc
AFS LOCKRING TOOL	UT-BB130	

RED METAL 29 XRP

AFS
front: QR/15mm ta
rear: QR

HUBS/MOZZI



OFF-ROAD

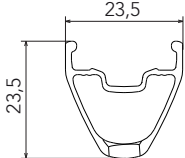
RED METAL 29 XRP

6 BOLTS

rear: 12mm ta 135/142

RIMS & SPOKES/CERCHI E RAGGI

RIM

	REAR RIM LABEL KIT VALVE HOLE VALVE DIAMETER TYRE SECTION	RM9R-DRB (with labels) RM9-LAB13DB (FRONT+REAR) 6,5 mm M1-102 29 Tubeless See recommended tyre manufacturer inflation pressure
---	--	---

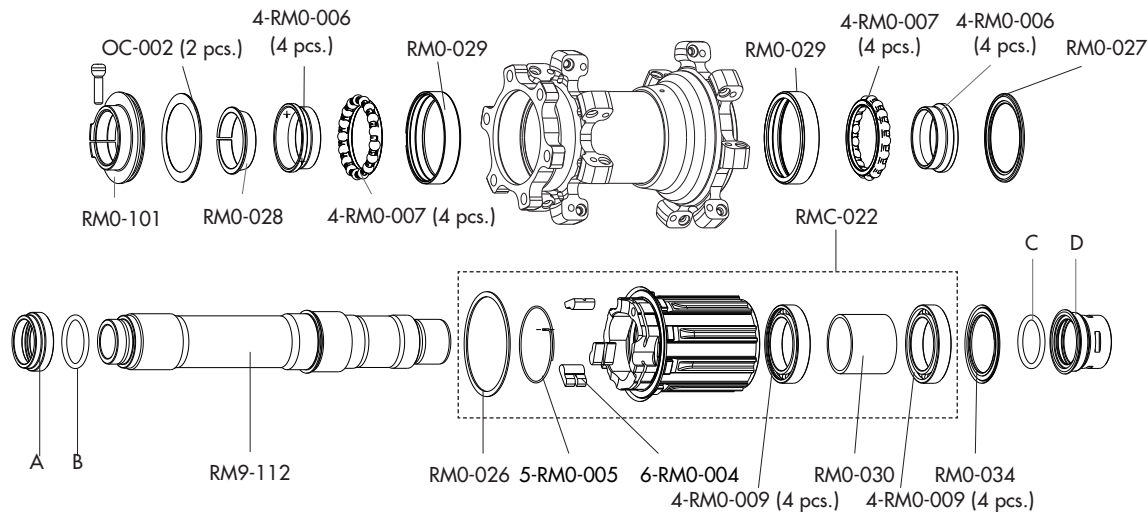
SPOKES

SPOKES Rear NIPPLES NIPPLE INSERT NIPPLE MAGNET SPOKE SPANNER	RM9R-DS01 RM9-R T-11 T-05 T-18	8 spokes + 8 nipples 10 pcs magnet-attractor for nipple nipple-guide spoke wrench
---	--	---

RED METAL 29 XRP

6 BOLTS
rear: 12mm ta 135/142
Shimano FW body

HUBS/MOZZI



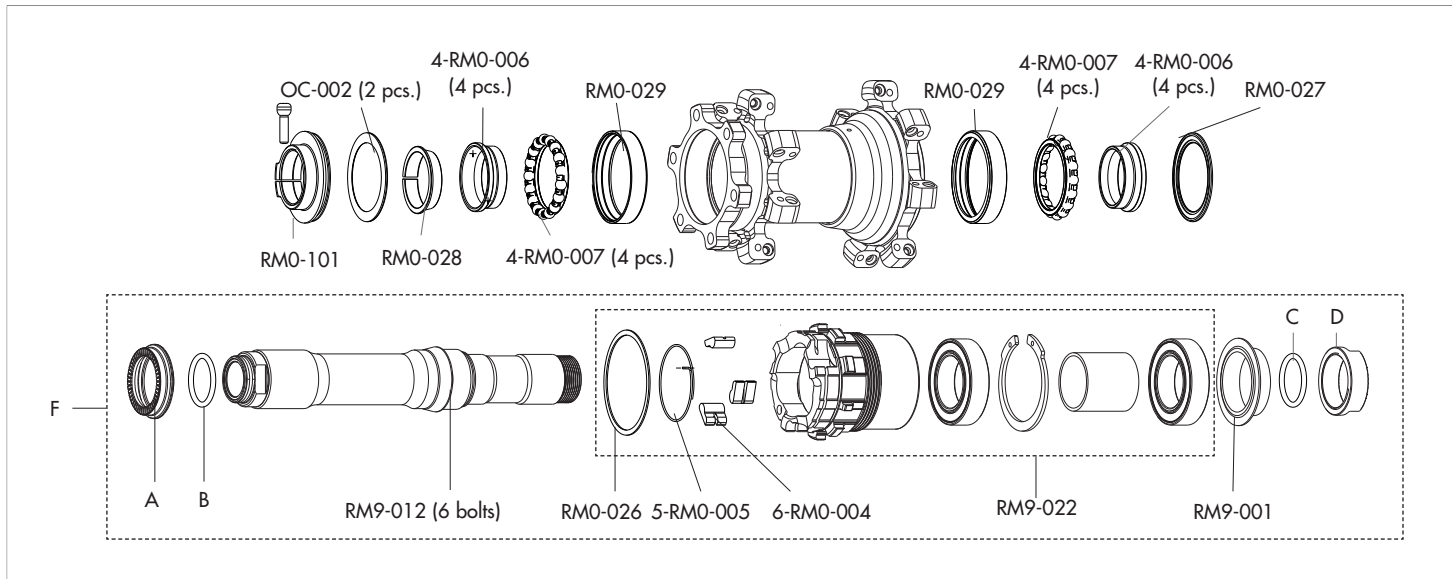
ACCESSORIES

A+B+C+D (HG FW body)	135 mm O.L.D.	KIT-X12
A+B+C+D (HG FW body)	142 mm O.L.D.	RM11-TA12

RED METAL 29 XRP

6 BOLTS
rear: 12mm ta 135/142
XD FW body

HUBS/MOZZI



ACCESSORIES

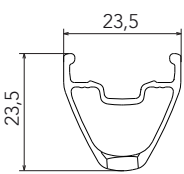
F	RM9-XD	KIT XD - 6 bolts
F	RM9-XDAFS	KIT XD - AFS
A+B+C+D	RM14-TA12135XD	135 mm O.L.D.
A+B+C+D	RM14-TA12142XD	142 mm O.L.D.

RED METAL 29 XL

6 BOLTS
front: QR/15mm ta
rear: QR

RIMS & SPOKES/CERCHI E RAGGI

RIM

	FRONT/REAR RIM LABEL KIT VALVE HOLE VALVE DIAMETER TYRE SECTION	RMXR-DRB (with labels) RMX-LAB1 1DB (FRONT+REAR) 6,5 mm M1-102 29 Tubeless See recommended tyre manufacturer inflation pressure
---	--	--

SPOKES

SPOKES Front RH/Rear LH SPOKES Front LH/Rear RH NIPPLES SPOKE RING NIPPLE INSERT NIPPLE MAGNET SPOKE SPANNER	RMX-DS03 RMX-DS04 RM0-B T-02 T-03 T-05 T-07	8 spokes + 8 nipples 8 spokes + 8 nipples 10 pcs. anti-rotation magnet-attractor for nipple nipple-guide spoke wrench
--	---	---

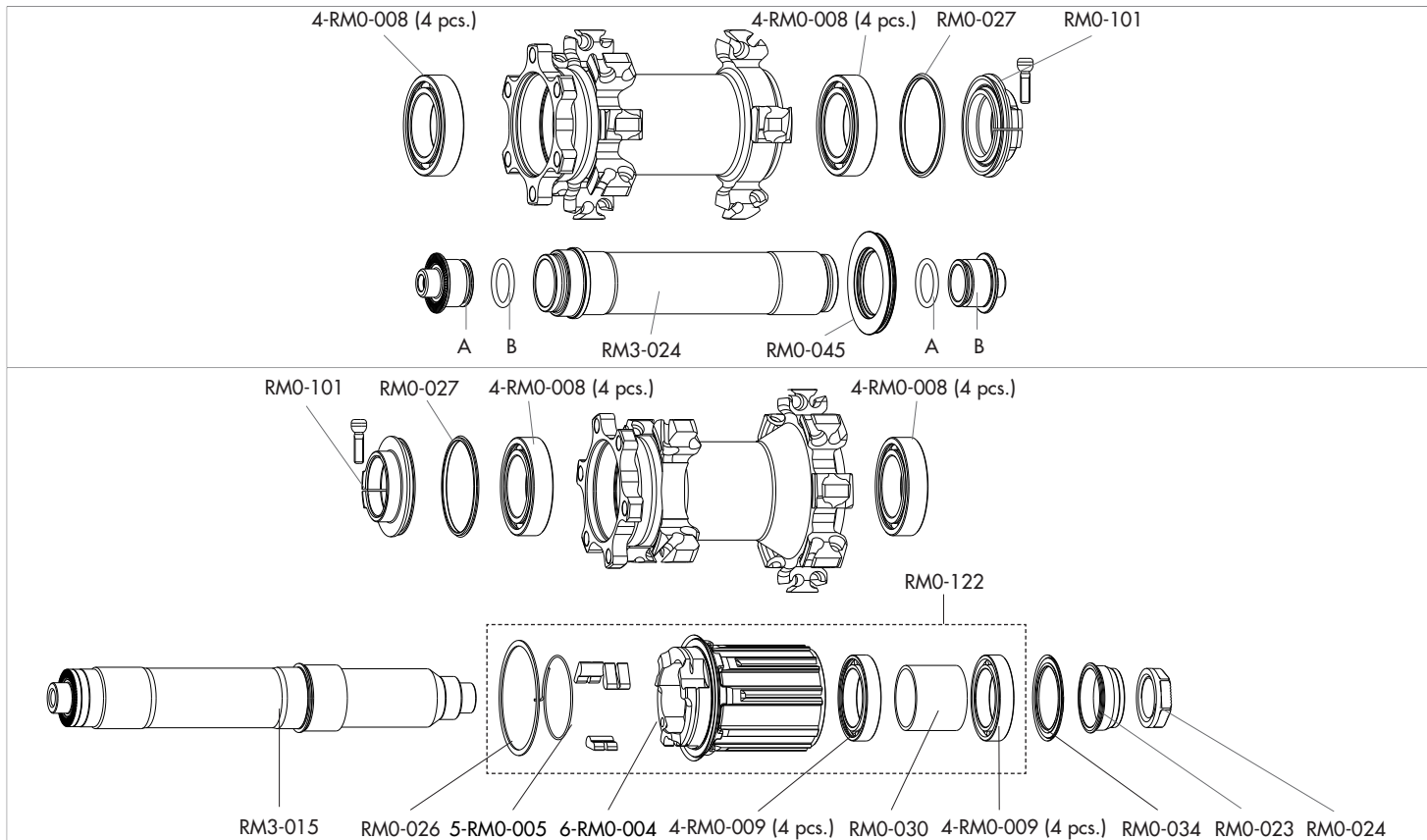
ACCESSORIES

KIT QR	RM11-TAQR	for front wheel (2A + 2B)
KIT 15 thru-axle	RM11-TA15	for front wheel - from QR to 15mm thru axle

RED METAL 29 XL

6 BOLTS
front: QR/15mm ta
rear: QR

HUBS/MOZZI

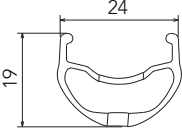


RED POWER 29 XL

6 BOLTS
front: QR/15mm ta
rear: QR

RIMS & SPOKES/CERCHI E RAGGI

RIM

	LABEL KIT VALVE HOLE VALVE HOLE BUSHING RIM-TAPE DIAMETER TYRE SECTION	RP9-LAB12DBX (FRONT+REAR) 8,5 mm RPX-015 (for valve seat reduction - 10 pcs.) RP9-RT 622 X 19C See section table and inflation pressures on page 130 - 131
---	---	---

SPOKES

SPOKES Front LH SPOKES Front RH SPOKES Rear LH SPOKES Rear RH	RP9-DS01 RP9-DS02 RP9-DS03 RP9-DS04	8 spokes + 8 nipples 8 spokes + 8 nipples 14 spokes + 14 nipples 14 spokes + 14 nipples
--	--	--

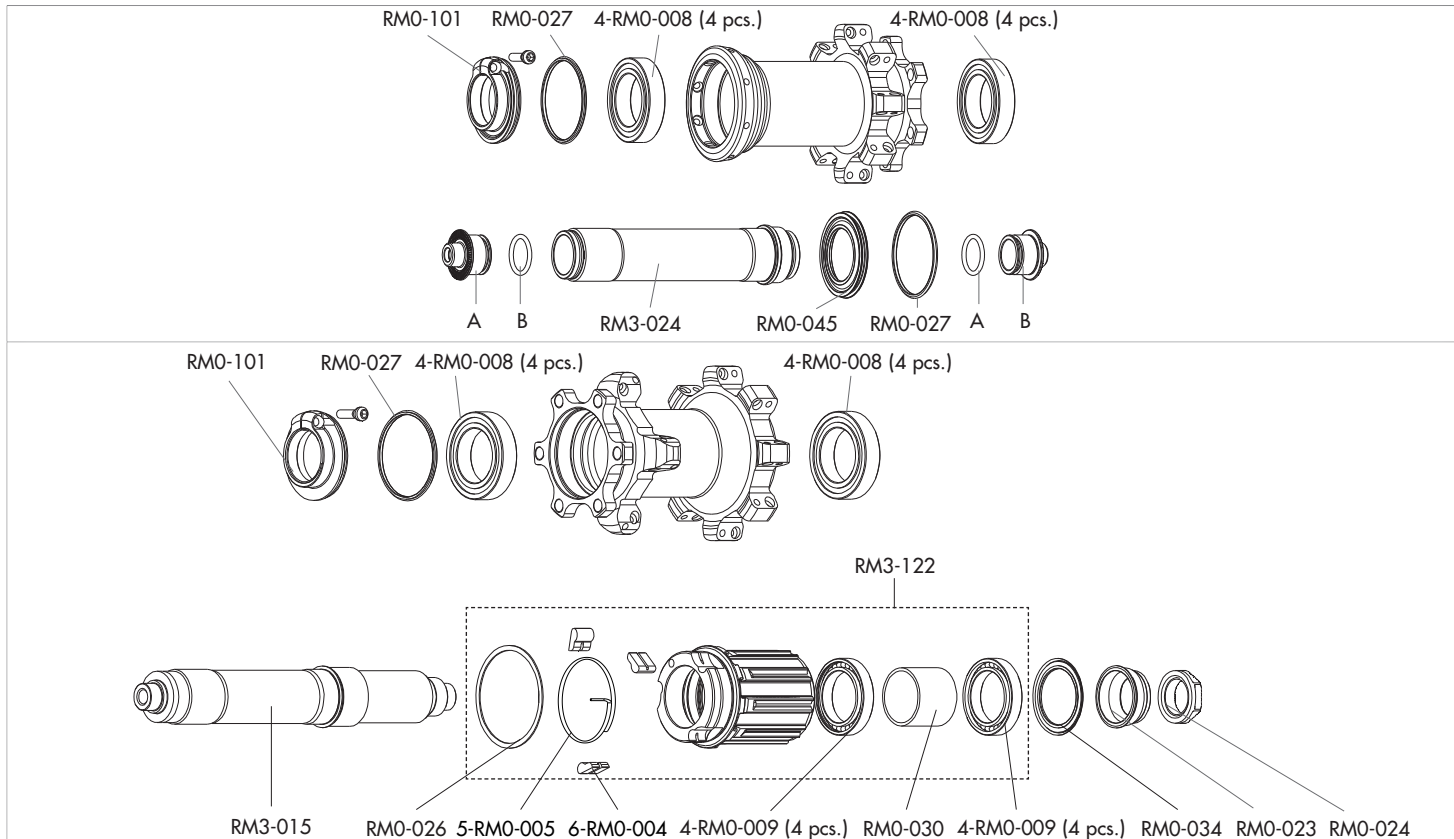
ACCESSORIES

KIT QR	RM11-TAQR	for front wheel (2A + 2B)
KIT 15 thru-axle	RM11-TA15	for front wheel - from QR to 15mm thru axle

RED POWER 29 XL

6 BOLTS
front: QR/15mm ta
rear: QR

HUBS/MOZZI



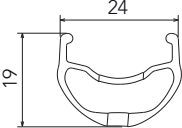
RED POWER 29 XL

6 BOLTS

rear: 12mm to 135/142

RIMS & SPOKES/CERCHI E RAGGI

RIM

	LABEL KIT VALVE HOLE VALVE HOLE BUSHING RIM-TAPE DIAMETER TYRE SECTION	RP9-LAB12DBX (FRONT+REAR) 8,5 mm RPX-015 (for valve seat reduction - 10 pcs.) RP9-RT 622 X 19C See section table and inflation pressures on page 130 - 131
---	---	---

SPOKES

SPOKES Rear LH SPOKES Rear RH	RP9-DS03 RP9-DS04	14 spokes + 14 nipples 14 spokes + 14 nipples
----------------------------------	----------------------	--

ACCESSORIES

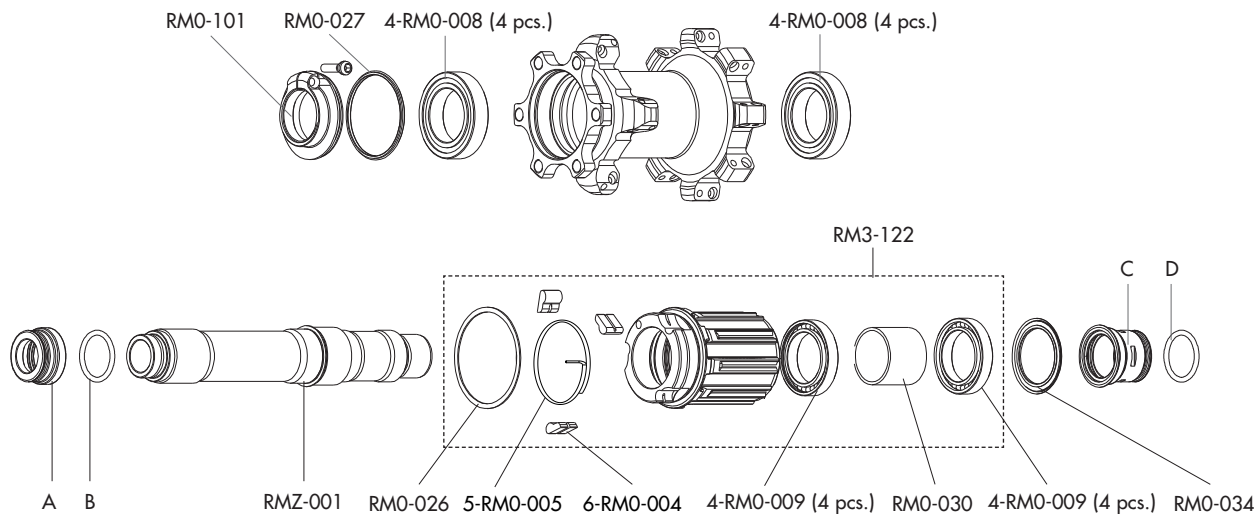
A+B+C+D	135 mm O.L.D.	KIT-X12
A+B+C+D	142 mm O.L.D.	RM11-TA12

RED POWER 29 XL

6 BOLTS

rear: 12mm ta 135/142

HUBS/MOZZI

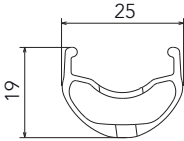


RED POWER 29 SL

6 BOLTS
front: QR
rear: QR

RIMS & SPOKES/CERCHI E RAGGI

RIM

	LABEL KIT VALVE HOLE VALVE HOLE BUSHING RIM-TAPE DIAMETER TYRE SECTION	RP9-LAB14DB (FRONT+REAR) 8,5 mm RPX-015 (for valve seat reduction - 10 pcs.) RP9-RT01 622 X 19C See section table and inflation pressures on page 130 - 131
---	---	--

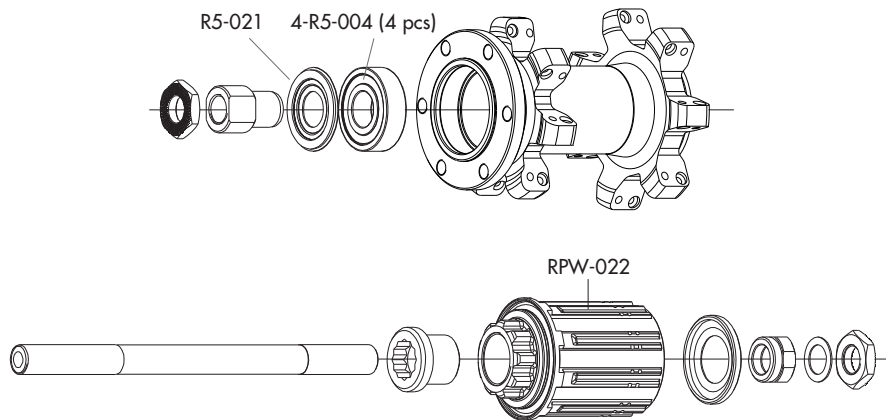
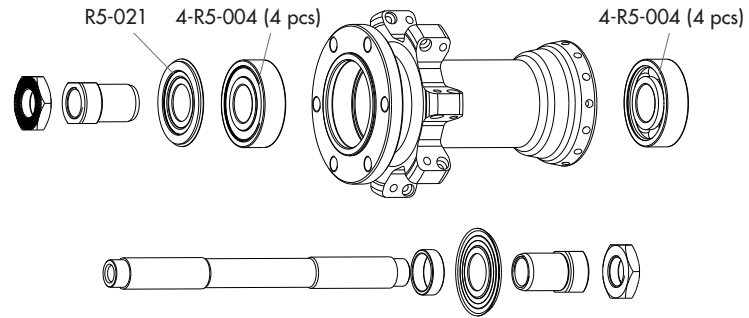
SPOKES

SPOKES Front LH SPOKES Front RH SPOKES Rear LH SPOKES Rear RH	RP9-DS07 RP9-DS08 RP9-DS09 RP9-DS10	8 spokes + 8 nipples 8 spokes + 8 nipples 8 spokes + 8 nipples 8 spokes + 8 nipples
--	--	--

RED POWER 29 SL

6 BOLTS
front: QR
rear: QR

HUBS/MOZZI



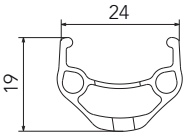
RED POWER 29 SL

6 BOLTS

front: 15mm thru-axle

RIMS & SPOKES/CERCHI E RAGGI

RIM

	LABEL KIT VALVE HOLE VALVE HOLE BUSHING RIM-TAPE DIAMETER TYRE SECTION	RP9-LAB14DB (FRONT+REAR) 8,5 mm RPX-015 (for valve seat reduction - 10 pcs.) RP9-RT01 622 X 19C See section table and inflation pressures on page 130 - 131
---	---	--

SPOKES

SPOKES Front LH SPOKES Front RH	RP9-DS07 RP9-DS11	8 spokes + 8 nipples 8 spokes + 8 nipples
------------------------------------	----------------------	--

ACCESSORIES

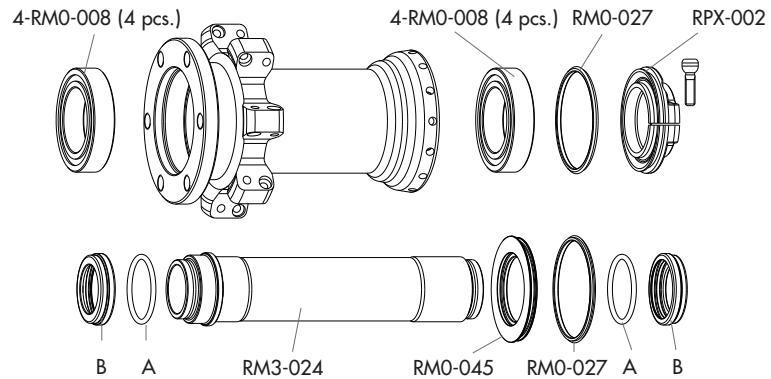
KIT 15 thru-axle	RM11-TA15	for front wheel - from QR to 15mm thru axle
------------------	-----------	---

RED POWER 29 SL

6 BOLTS

front: 15mm thru-axle

HUBS/MOZZI

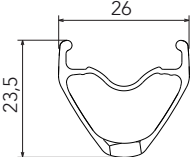


RED ZONE XLR

6 BOLTS
front: 20mm ta
rear: 12mm ta 135/142

RIMS & SPOKES/CERCHI E RAGGI

RIM

	FRONT RIM/POST LABEL KIT VALVE HOLE VALVE DIAMETER TYRE SECTION	RMZF-DRBX (with labels) RMZ-LAB10DBX (FRONT+REAR) 6,5 mm M1-102 26 Tubeless See recommended tyre manufacturer inflation pressure
---	--	---

SPOKES

SPOKES Front RH/Rear LH SPOKES Front LH/Rear RH NIPPLES SPOKE RING NIPPLE INSERT NIPPLE MAGNET SPOKE SPANNER	RM1-DS11 RM1-DS12 RM0-B T-02 T-03 T-05 T-07	8 spokes + 8 nipples 8 spokes + 8 nipples 10 pcs. anti-rotation magnet-attractor for nipple nipple-guide spoke wrench
--	---	---

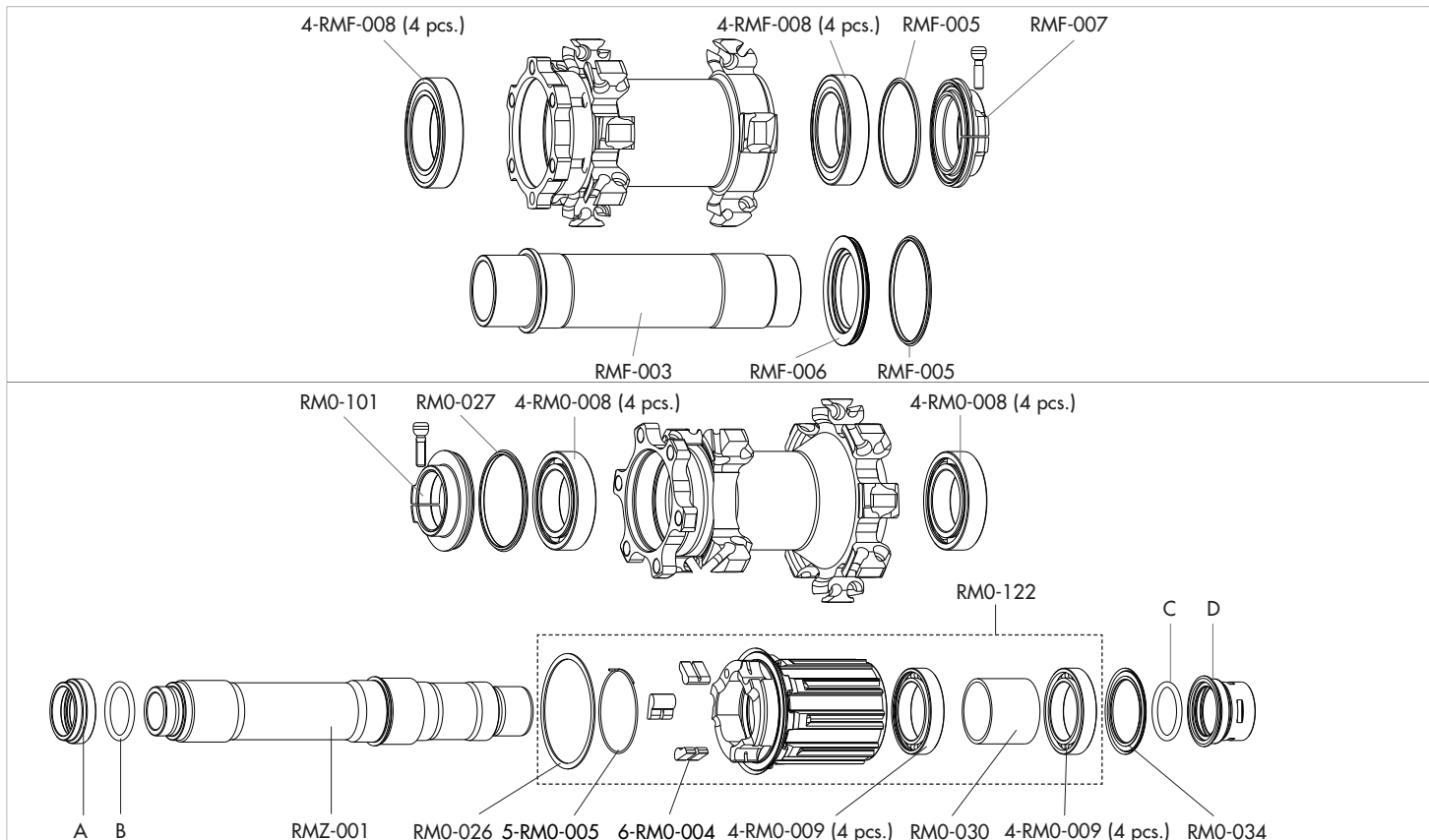
ACCESSORIES

A+B+C+D	135 mm O.L.D.	KIT-X12
A+B+C+D	142 mm O.L.D.	RM11-TA12

RED ZONE XLR

6 BOLTS
front: 20mm to
rear: 12mm to 135/142

HUBS/MOZZI

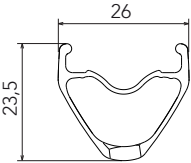


RED ZONE XLR

6 BOLTS
front: 15mm ta
rear: QR

RIMS & SPOKES/CERCHI E RAGGI

RIM

	FRONT RIM/POST LABEL KIT VALVE HOLE VALVE DIAMETER TYRE SECTION	RMZF-DRBX (with labels) RMZ-LAB10DBX (FRONT+REAR) 6,5 mm M1-102 26 Tubeless See recommended tyre manufacturer inflation pressure
---	--	---

SPOKES

SPOKES Front RH/Rear LH SPOKES Front LH/Rear RH NIPPLES SPOKE RING NIPPLE INSERT NIPPLE MAGNET SPOKE SPANNER	RM1-DS11 RM1-DS12 RM0-B T-02 T-03 T-05 T-07	8 spokes + 8 nipples 8 spokes + 8 nipples 10 pcs. anti-rotation magnet-attractor for nipple nipple-guide spoke wrench
--	---	---

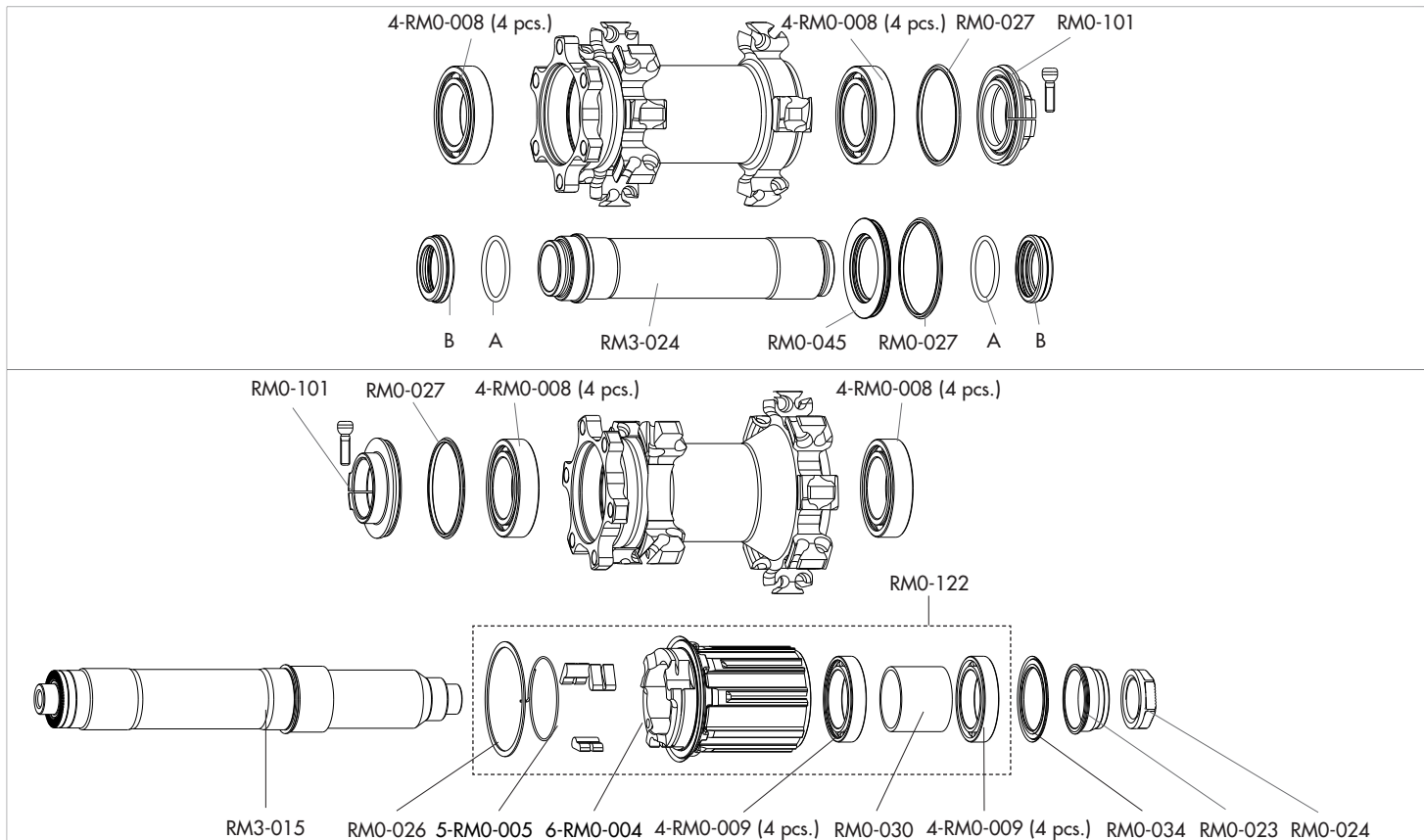
ACCESSORIES

KIT 15 thru-axle	RM11-TA15	for front wheel - from QR to 15mm thru axle
------------------	-----------	---

RED ZONE XLR

6 BOLTS
front: 15mm ta
rear: QR

HUBS/MOZZI



RED FIRE

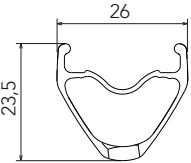
6 BOLTS

front: 20mm ta - OLD 110

rear: 12mm ta - OLD 150

RIMS & SPOKES/CERCHI E RAGGI

RIM

	FRONT RIM/POST LABEL KIT VALVE HOLE VALVE DIAMETER TYRE SECTION	RMFF-DRR (with labels) RMF-LAB9DR (FRONT+REAR) 6,5 mm M1-102 26 Tubeless See recommended tyre manufacturer inflation pressure
---	--	--

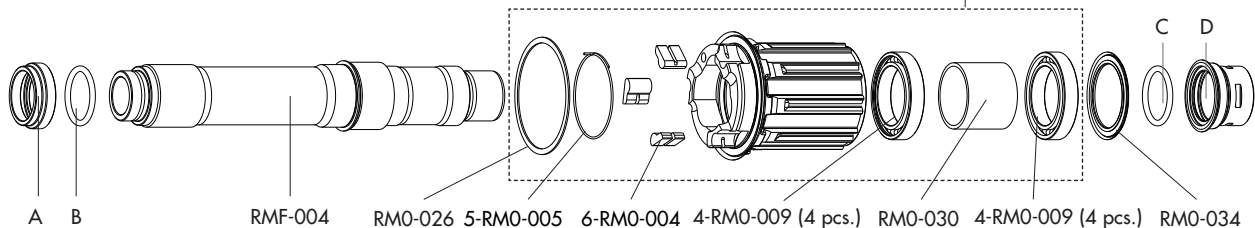
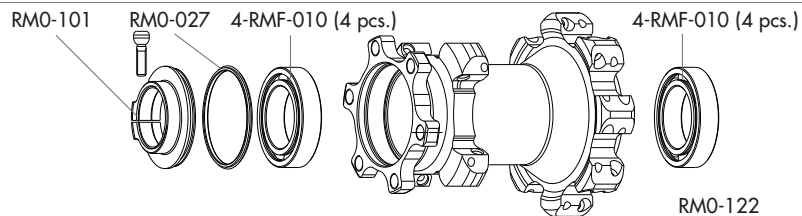
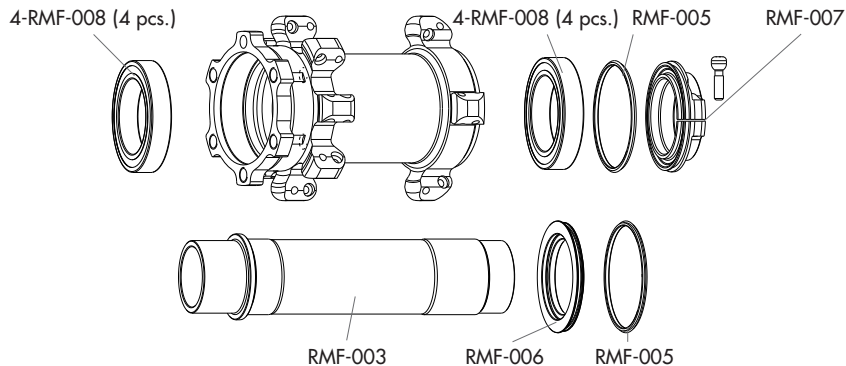
SPOKES

SPOKES Front RH/Rear LH SPOKES Front LH/Rear RH NIPPLES NIPPLE INSERT NIPPLE MAGNET	RMF-DS01 RMF-DS02 RM3-B T-10 T-05	8 spokes + 8 nipples 8 spokes + 8 nipples 50 pcs. magnet-attractor for nipple nipple-guide
---	---	--

RED FIRE

HUBS/MOZZI

6 BOLTS
front: 20mm ta - OLD 110
rear: 12mm ta - OLD 150



RED HEAT

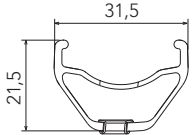
6 BOLTS

front: 20mm ta - OLD 110

rear: 12mm ta - OLD 150

RIMS & SPOKES/CERCHI E RAGGI

RIM

	LABEL KIT VALVE HOLE DIAMETER TYRE SECTION	RMH-LAB11DB (FRONT+REAR) 8,5 mm 25C See section table and inflation pressures on page 130 - 131
---	---	--

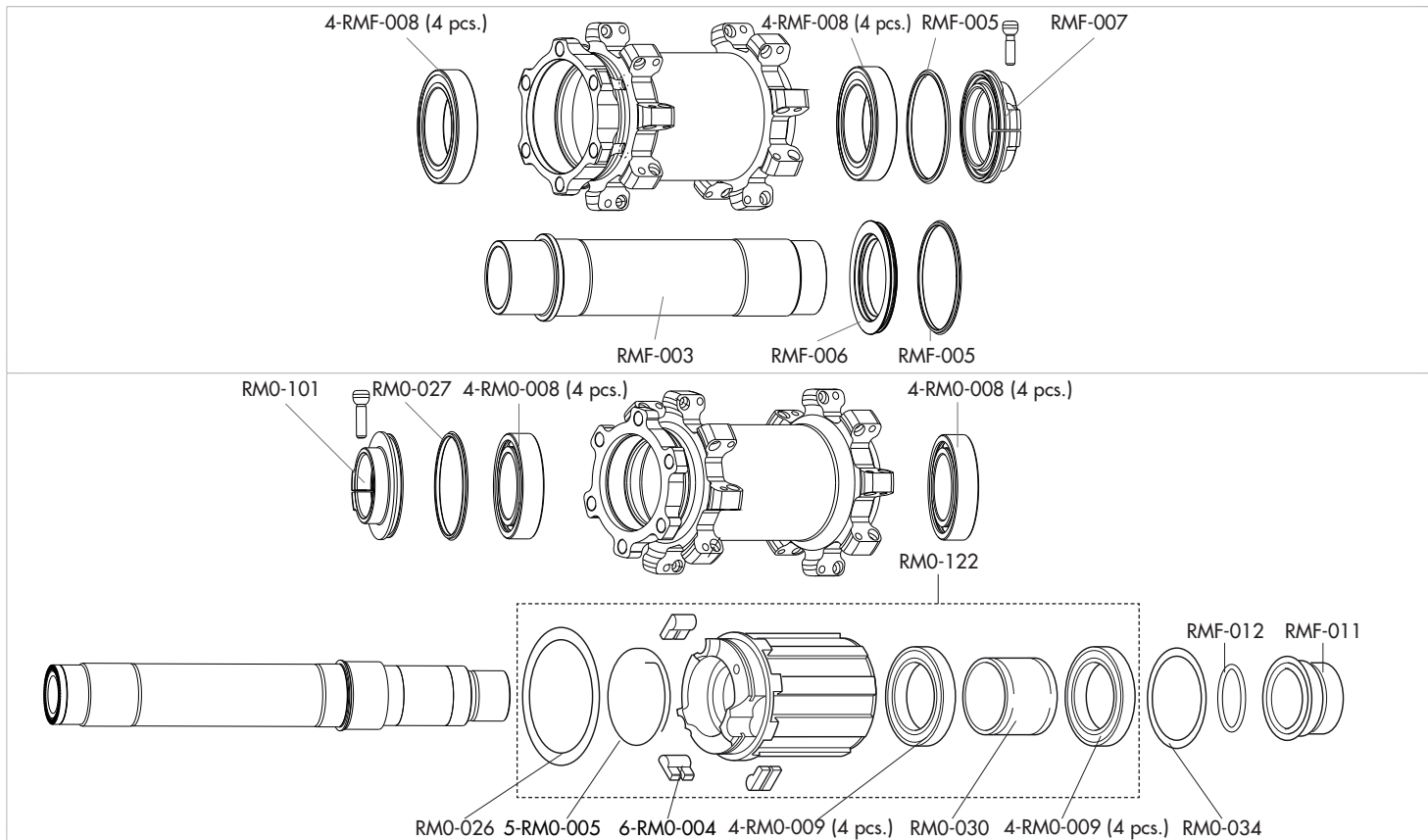
SPOKES

SPOKES Front SPOKES Rear RH SPOKES Rear LH	RMH-DS01 RMH-DS02 RMH-DS03	8 spokes + 8 nipples 8 spokes + 8 nipples 8 spokes + 8 nipples
--	----------------------------------	--

RED HEAT

HUBS/MOZZI

6 BOLTS
front: 20mm ta - OLD 110
rear: 12mm ta - OLD 150



ADAPTERS

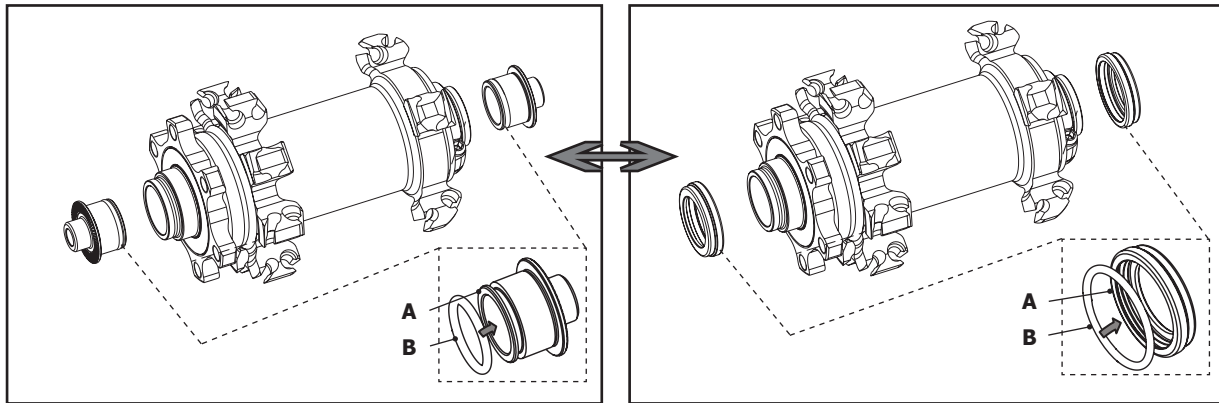
QUICK RELEASE ⇔ THRU-AXLE 15 mm ADAPTER

QR Ø 9mm - 100mm

Thru axle Ø 15mm - 100mm

RM11-TAQR

RM11-TA15



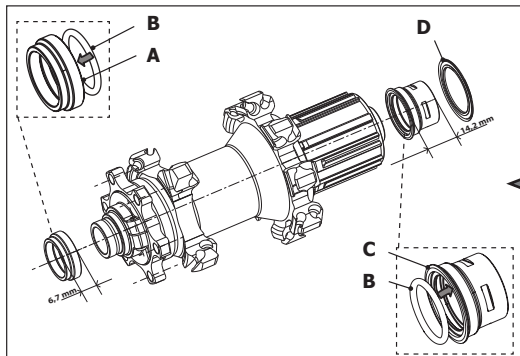
ADAPTERS

Thru-Axle 12mm/135mm ↔ Syntace X-12/142mm ADAPTER

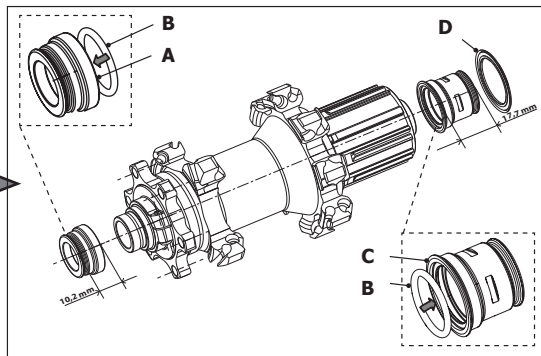
Thru axle Ø 12mm - O.L.D. 135mm

Thru axle Ø 12mm - O.L.D. 142mm

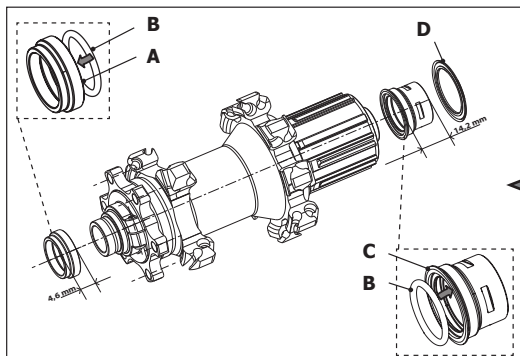
KTT-X12



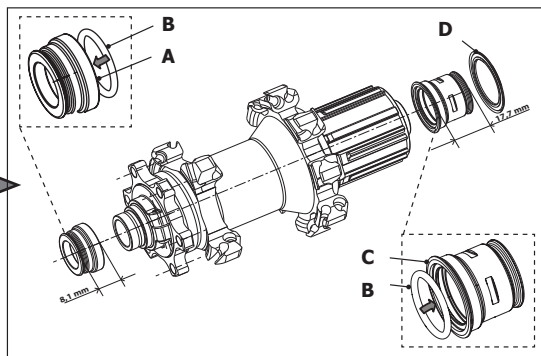
RM11-TA12



KTT-X12AFS



RM11-TA12AFS



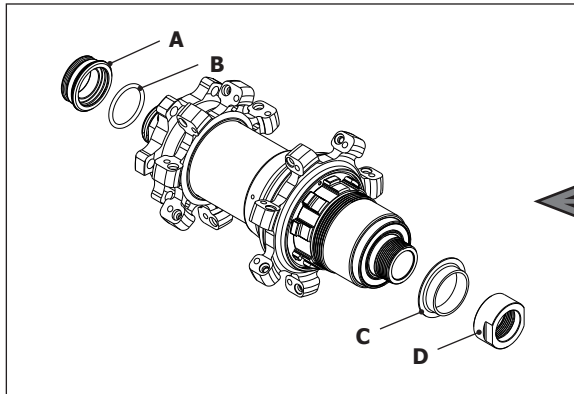
ADAPTERS

XD FW body

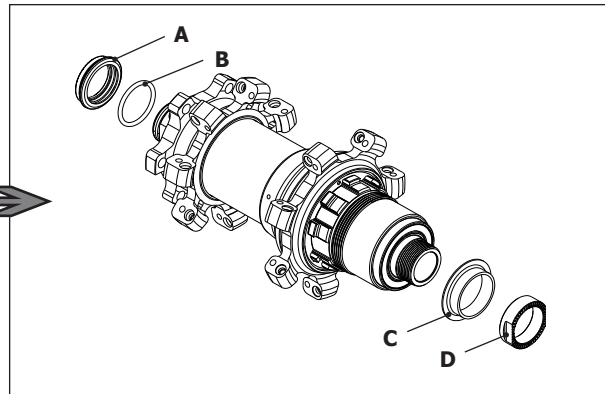
Thru-Axle 12mm/142mm ↔ Thru-Axle 12mm/135mm

Thru axle Ø 12mm - O.L.D. 142mm Thru axle Ø 12mm - O.L.D. 135mm

RM14-TA12142XD



RM14-TA12135XD



MAXIMUM OPERATING PRESSURE

		RIM DIMENSION								
		19C		21C		23C		25C		
TYRE WIDTH	in.	BAR	PSI	BAR	PSI	BAR	PSI	BAR	PSI	
	1,10	8,0	117							
	1,20	7,0	103							
	1,25	6,7	99							
	1,30	6,3	93	6,3	93					
	1,40	6,0	88	6,0	88	6,0	88			
	1,50	5,7	83	5,7	83	5,7	83			
	1,60	5,5	80	5,5	80	5,5	80	5,5	80	
	1,70	5,2	76	5,2	76	5,2	76	5,2	76	
	1,80	4,8	71	4,8	71	4,8	71	4,8	71	
	1,90	4,5	66	4,5	66	4,5	66	4,5	66	
	2,00	4,3	63	4,3	63	4,3	63	4,3	63	

		RIM DIMENSION							
		19C		21C		23C		25C	
TYRE WIDTH	in.	BAR	PSI	BAR	PSI	BAR	PSI	BAR	PSI
	2,10	4,0	59	4,0	59	4,0	59	4,0	59
	2,20	3,7	55	3,7	55	3,7	55	3,7	55
	2,30	3,4	50	3,4	50	3,4	50	3,4	50
	2,40			3,2	47	3,2	47	3,2	47
	2,50			3,0	44	3,0	44	3,0	44
	2,60			2,8	41	2,8	41	2,8	41
	2,70			2,7	39	2,7	39	2,7	39
	2,80					2,5	36	2,5	36
	2,90					2,4	34	2,4	34
	3,00					2,1	30	2,1	30

QUICK RELEASE



RED CARBON™ XRP	RM0-QFR	
RED METAL™ ZERO XRP	RM0-QFR	
RED METAL™ 1 XL	RM0-QFR	
RED METAL™ 3		RM5-QFR
RED POWER™ XL		RM5-QFR
RED POWER™ SL		RM5-QFR
RED METAL™ 29 XRP	RM9-QFR	
RED METAL™ 29 XL	RM0-QFR	
RED POWER™ 29 XL		RM5-QFR
RED POWER™ 29 SL		RM5-QFR
RED METAL™ XRP 650B	RM9-QFR	
RED POWER™ XL 650B		RM5-QFR
RED ZONE™ XLR	RM0-QFR	

CUSTOM WHEELS

CODE	MODEL DESCRIPTION	CHARACTERISTICS	REFERENCE MODEL	DIFFERENCES
MERIDA				
R7113CXFRBSGR	RAC COMP CX	FRONT + REAR HG10	RAC 7 CX - 2013	green sticker
R7113CXFRBSRE	RAC COMP CX	FRONT + REAR HG10	RAC 7 CX - 2013	red sticker
R11142FRBS1PIN	RACING ONE	FRONT + REAR HG11	RAC 1 2WF - 2013	fucsia sticker
RWX114CFRKS180PIN	RED WIND XLR H80-STD	FRONT + REAR HG11	RED WIND XLR H80 - 2013	fucsia sticker
RW114CFRKS1PIN	RED WIND H50-STD	FRONT + REAR HG11	RED WIND H50 - 2013	fucsia sticker
R3113CFRBS11ME	RACING 3	FRONT + REAR HG11	RACING 3 CL - 2013	sticker model 2012
R3114CFRBS1PIN	RACING 3	FRONT + REAR HG11	RACING 3 CL - 2013	fucsia sticker
R3113CFRBS1GR	RACING 3	FRONT + REAR HG11	RACING 3 CL - 2013	green sticker
R4113CFRBS1REM	RACING QUATTRO H35	FRONT + REAR HG11	RACING QUATTRO H35 - 2013	red sticker
R5114CFRBS1RED	RACING PRC	FRONT + REAR HG11	RACING 5 - 2014	red sticker
R7114CFRBS1PIN	RACING COMP	FRONT + REAR HG11	RACING 7 - 2014	fucsia sticker
R7114CFRBS1RED	RACING COMP	FRONT + REAR HG11	RACING 7 - 2014	red sticker
RT114CFRBS1BLU	RACING SPORT	FRONT + REAR HG11	RACING SPORT - 2014	blue sticker
RT114CFRBS1PUR	RACING SPORT	FRONT + REAR HG11	RACING SPORT - 2014	purple sticker
R4114CFRBS1RED	RACING QUATTRO	FRONT + REAR HG11	RACING QUATTRO H35 - 2013	fucsia sticker
R4114CFRBS1GRM	RACING QUATTRO	FRONT + REAR HG11	RACING QUATTRO H35 - 2013	matt grey sticker
R4114CFRBS1GRS	RACING QUATTRO	FRONT + REAR HG11	RACING QUATTRO H35 - 2013	glossy grey sticker

CUSTOM WHEELS

CODE	MODEL DESCRIPTION	RIM	SPOKES	STICKERS
MERIDA				
R7I13CXFRBSGR	RAC COMP CX	NOT AVAIL.	RAC 7 CX - 2013	NOT AVAIL.
R7I13CXFRBSRE	RAC COMP CX	NOT AVAIL.	RAC 7 CX - 2013	NOT AVAIL.
R1I142FRBS1PIN	RACING ONE	RAC 1 2WF - 2013 without stickers	RAC 1 2WF - 2013	R1-LAB14CPI
RWXI14CFRKS180PIN	RED WIND XLR H80-STD	RED WIND XLR H80 - 2013 without stickers	RED WIND XLR H80 - 2013	RWX-LAB14C80PI
RWII14CFRKS1PIN	RED WIND H50-STD	RED WIND H50 - 2013 without stickers	RED WIND H50 - 2013	RWI-LAB14CLI
R3I13CFRBS11ME	RACING 3	RACING 3 CL - 2013 whit std stickers	RACING 3 CL - 2013	RACING 3 CL - 2012
R3I14CFRBS1PIN	RACING 3	RACING 3 CL - 2013 whit std stickers	RACING 3 CL - 2013	NOT AVAIL.
R3I13CFRBS1GR	RACING 3	RACING 3 CL - 2013 whit std stickers	RACING 3 CL - 2013	R3-LAB13CGR
R4I13CFRBS1REM	RACING QUATTRO H35	NOT AVAIL.	RACING QUATTRO H35 - 2013	NOT AVAIL.
R5I14CFRBS1RED	RACING PRC	NOT AVAIL.	RACING 5 - 2014	NOT AVAIL.
R7I14CFRBS1PIN	RACING COMP	NOT AVAIL.	RACING 7 - 2014	NOT AVAIL.
R7I14CFRBS1RED	RACING COMP	NOT AVAIL.	RACING 7 - 2014	NOT AVAIL.
RTI14CFRBS1BLU	RACING SPORT	NOT AVAIL.	RACING SPORT - 2014	NOT AVAIL.
RTI14CFRBS1PUR	RACING SPORT	NOT AVAIL.	RACING SPORT - 2014	NOT AVAIL.
R4I14CFRBS1RED	RACING QUATTRO	NOT AVAIL.	RACING QUATTRO H35 - 2013	NOT AVAIL.
R4I14CFRBS1GRM	RACING QUATTRO	NOT AVAIL.	RACING QUATTRO H35 - 2013	NOT AVAIL.
R4I14CFRBS1GRS	RACING QUATTRO	NOT AVAIL.	RACING QUATTRO H35 - 2013	NOT AVAIL.

CUSTOM WHEELS

CODE	MODEL DESCRIPTION	CHARACTERISTICS	REFERENCE MODEL	DIFFERENCES
MERIDA				
RMX-14DFRBX52M	RED METAL 29XL	FRONT QR/HH15 + REAR HH12/135	RED METAL 29XL - 2013	green sticker
RP7114DFRB52M	RED POWER 650B XL	FRONT HH15 + REAR HH12/142	RED POWER 650B XL - 2014	red sticker
RP9114DFRB2GRE	RED POWER 29XL	FRONT QR + REAR HH12/142	RED POWER 29XL - 2014	green sticker
RP9114DFRB2RED	RED POWER 29XL	FRONT HH15 + REAR HH12/142	RED POWER 29XL - 2014	red sticker
RP9114DFRB52YEL	RED POWER 29XL	FRONT HH15 + REAR HH12/142	RED POWER 29XL - 2014	yellow sticker
RPX114DFRB5YEL	RED POWER XL	FRONT HH15 + REAR QR	RED POWER XL - 2013	yellow sticker
RM7-14DFRB12M	RED METAL XRP 650B	FRONT QR/HH15 + REAR HH12/135	RED METAL XRP 650B - 2014	green sticker

FELT				
RT114CFRBS1FE	RACING SPORT	FRONT + REAR HG11	RACING SPORT - 2014	pearl sticker
R5114CFRBSFEG	RACING 5	FRONT + REAR HG11	RACING 5 - 2014	grey sticker
R4113CFRBSBLK	RACING QUATTRO	FRONT + REAR HG11	RACING QUATTRO H35 - 2013	red sticker

DERBY				
R5113CFRBSBLA	CEX 4.5	FRONT + REAR HG11	RAC 5 - 2013	black/grey sticker
R3113CFRBS1BLA	CEX 2.5	FRONT + REAR HG11	RACING 3 CL - 2013	black/grey sticker

CUSTOM WHEELS

CODE	MODEL DESCRIPTION	RIM	SPOKES	STICKERS
MERIDA				
RMX-14DFRBX52M	RED METAL 29XL	RED METAL 29XL - 2014 whit std stickers	RED METAL 29XL - 2013	RMX-LAB14DBGR
RP7114DFRB52M	RED POWER 650B XL	NOT AVAIL.	RED POWER 650B XL - 2014	NOT AVAIL.
RP9114DFRB2GRE	RED POWER 29XL	NOT AVAIL.	RED POWER 29XL - 2014	NOT AVAIL.
RP9114DFRB2RED	RED POWER 29XL	NOT AVAIL.	RED POWER 29XL - 2014	NOT AVAIL.
RP9114DFRB52YEL	RED POWER 29XL	NOT AVAIL.	RED POWER 29XL - 2014	NOT AVAIL.
RPX114DFRB5YEL	RED POWER XL	NOT AVAIL.	RED POWER XL - 2013	NOT AVAIL.
RM7-14DFRB12M	RED METAL XRP 650B	RED METAL XRP 650B - 2014 whit std stickers	RED METAL XRP 650B - 2014	RM7-LAB14DBGR

FELT				
RT114CFRBS1FE	RACING SPORT	NOT AVAIL.	RACING SPORT - 2014	NOT AVAIL.
R5114CFRBSFEG	RACING 5	NOT AVAIL.	RACING 5 - 2014	NOT AVAIL.
R4113CFRBSBLK	RACING QUATTRO	NOT AVAIL.	RACING QUATTRO H35 - 2013	NOT AVAIL.

DERBY				
R5113CFRBSBLA	CEX 4.5	NOT AVAIL.	FRONT + REAR HG11	NOT AVAIL.
R3113CFRBS1BLA	CEX 2.5	RACING 3 CL - 2013	RACING 3 CL - 2013	R3-LAB13CDEBG

CUSTOM WHEELS

CODE	MODEL DESCRIPTION	CHARACTERISTICS	REFERENCE MODEL	DIFFERENCES
DERBY				
RWX113CFRKS11OR	RED WIND XLR H50-STD	FRONT + REAR HG11	RED WIND XLR H50 - 2013	orange sticker
DERBY/FOCUS				
R5113CFRBSBLA	CEX 4.5	FRONT + REAR HG11	RAC 5 - 2013	black/grey sticker
R7113CXFRBSBLU	CEX 6.5 CX	FRONT + REAR HG10	RAC 7 CX - 2013	blue sticker
R7114CFRBCBLU	CEX 6.5	FRONT + REAR CAMPY	RACING 7 - 2014	blue sticker
R4113CFRBSGRE	CEX 1700	FRONT + REAR HG11	RACING QUATTRO H35 - 2013	green sticker
R4113CFRBSRED	CEX 1700	FRONT + REAR HG11	RACING QUATTRO H35 - 2013	red sticker
R4114CFRBCRED	CEX 1700	FRONT + REAR CAMPY	RACING QUATTRO H35 - 2013	red sticker
RS-14TFRAKC35A	RAC. SPEED H35	FRONT + REAR CAMPY	RACING SPEED H35 - 2014	blue/grey sticker
RS-14TFRAKCA	RAC. SPEED H50	FRONT + REAR CAMPY	RACING SPEED H50 - 2013	blue sticker
R7113CFRBS1YEL	CEX 6.5	FRONT + REAR HG11	RACING 7 - 2014	yellow sticker
R7113CFRBS1BLU	CEX 6.5	FRONT + REAR HG11	RACING 7 - 2014	blue sticker
R7113CFRBS1ORA	CEX 6.5	FRONT + REAR HG11	RACING 7 - 2014	orange sticker
R7113CFRBS1RED	CEX 6.5	FRONT + REAR HG11	RACING 7 - 2014	red sticker
R7113CXFRBS1RED	CEX 6.5 CX	FRONT + REAR HG11	RACING 7 CX - 2014	red sticker
R4113CFRBS1BLU	CEX 1700	FRONT + REAR HG11	RACING QUATTRO H35 - 2013	blue sticker
R5114CFRBSBLA	CEX 4.5	FRONT + REAR HG11	RACING 5 - 2014	black/grey sticker
R7114CXFRBSBLU	CEX 6.0 CX	FRONT + REAR HG11	RACING 7 CX - 2014	blue sticker

CUSTOM WHEELS

CODE	MODEL DESCRIPTION	RIM	SPOKES	STICKERS
DERBY				
RWX113CFRKS11OR	RED WIND XLR H50-STD	RED WIND XLR H50 - 2013 without stickers	RED WIND XLR H50 - 2013	RWX-LAB13OR
DERBY / FOCUS				
R5113CFRBSBLA	CEX 4.5	NOT AVAIL.	FRONT + REAR HG11	NOT AVAIL.
R7113CXFRBSBLU	CEX 6.5 CX	NOT AVAIL.	RAC 7 CX - 2013	NOT AVAIL.
R7114CFRBCBLU	CEX 6.5	NOT AVAIL.	RACING 7 - 2014	NOT AVAIL.
R4113CFRBSGRE	CEX 1700	NOT AVAIL.	RACING QUATTRO H35 - 2013	NOT AVAIL.
R4113CFRBSRED	CEX 1700	NOT AVAIL.	RACING QUATTRO H35 - 2013	NOT AVAIL.
R4114CFRBCRED	CEX 1700	NOT AVAIL.	RACING QUATTRO H35 - 2013	NOT AVAIL.
RS-14TFRAKC35A	RAC. SPEED H35	RACING SPEED H35 - 2014 without stickers	RACING SPEED H35 - 2014	RS-LAB14AKC35BL
RS-14TFRAKCA	RAC. SPEED H50	RACING SPEED H50 - 2013 without stickers	RACING SPEED H50 - 2013	RS-LAB14AKCBL
R7113CFRBS1YEL	CEX 6.5	NOT AVAIL.	RACING 7 - 2014	NOT AVAIL.
R7113CFRBS1BLU	CEX 6.5	NOT AVAIL.	RACING 7 - 2014	NOT AVAIL.
R7113CFRBS1ORA	CEX 6.5	NOT AVAIL.	RACING 7 - 2014	NOT AVAIL.
R7113CFRBS1RED	CEX 6.5	NOT AVAIL.	RACING 7 - 2014	NOT AVAIL.
R7113CXFRBS1RED	CEX 6.5 CX	NOT AVAIL.	RACING 7 CX - 2014	NOT AVAIL.
R4113CFRBS1BLU	CEX 1700	NOT AVAIL.	RACING QUATTRO H35 - 2013	NOT AVAIL.
R5114CFRBSBLA	CEX 4.5	NOT AVAIL.	RACING 5 - 2014	NOT AVAIL.
R7114CXFRBSBLU	CEX 6.0 CX	NOT AVAIL.	RACING 7 CX - 2014	NOT AVAIL.

CUSTOM WHEELS

CODE	MODEL DESCRIPTION	CHARACTERISTICS	REFERENCE MODEL	DIFFERENCES
DERBY/FOCUS				
R7114CXFRBSRED	CEX 6.0 CX	FRONT + REAR HG11	RACING 7 CX - 2014	red sticker
RT114CFRBSRED	CEX 7.0	FRONT + REAR HG11	RACING SPORT - 2014	red sticker
RT114CFRBSBLA	CEX 7.0	FRONT + REAR HG11	RACING SPORT - 2014	grey sticker
RT114CFRBSBLU	CEX 7.0	FRONT + REAR HG11	RACING SPORT - 2014	blue sticker
BIANCHI				
R7114CFRBCCOR	RACING CORSA	FRONT + REAR CAMPY	RACING 7 - 2013	custom sticker
CERVELO				
R35113CFRBCCV	RACING 3.5	FRONT + REAR CAMPY	RACING 4 - 2011	white/black sticker
R55113CFRBS1CV	RACING 5.5	FRONT + REAR HG11	RACING 6 - 2011	white/black sticker
R35113CFRBS1CV	RACING 3.5	FRONT + REAR HG11	RACING 4 - 2011	white/black sticker
CUBE				
RT114CFRBS177REC	RACING 77	FRONT + REAR HG11	RACING SPORT - 2014	red sticker
RT114CFRBS177BLC	RACING 77	FRONT + REAR HG11	RACING SPORT - 2014	blue sticker
RT114CFRBS177313	RACING 77	FRONT + REAR HG11	RACING SPORT - 2014	blue sticker
R5114CFRBS1BLC	RACING 55	FRONT + REAR HG11	RACING 5 - 2014	blue sticker
R5114CFRBS1REC	RACING 55	FRONT + REAR HG11	RACING 5 - 2014	red sticker
R5114CFRBS1GRC	RACING 55	FRONT + REAR HG11	RACING 5 - 2014	green sticker
R5114CXFRBS1REC	RACING 55 CX	FRONT + REAR HG11	RACING 5 CX - 2014	red sticker

CUSTOM WHEELS

CODE	MODEL DESCRIPTION	RIM	SPOKES	STICKERS
DERBY / FOCUS				
R7114CXFRBSRED	CEX 6.0 CX	NOT AVAIL.	RACING 7 CX - 2014	NOT AVAIL.
RT114CFRBSRED	CEX 7.0	NOT AVAIL.	RACING SPORT - 2014	NOT AVAIL.
RT114CFRBSBLA	CEX 7.0	NOT AVAIL.	RACING SPORT - 2014	NOT AVAIL.
RT114CFRBSBLU	CEX 7.0	NOT AVAIL.	RACING SPORT - 2014	NOT AVAIL.
BIANCHI				
R7114CFRBCCOR	RACING CORSA	NOT AVAIL.	RACING 7 - 2013	NOT AVAIL.
CERVELO				
R35113CFRBCCV	RACING 3.5	NOT AVAIL.	RACING 4 - 2011	NOT AVAIL.
R55113CFRBS1CV	RACING 5.5	NOT AVAIL.	RACING 6 - 2011	NOT AVAIL.
R35113CFRBS1CV	RACING 3.5	NOT AVAIL.	RACING 4 - 2011	NOT AVAIL.
CUBE				
RT114CFRBS177REC	RACING 77	NOT AVAIL.	RACING SPORT - 2014	NOT AVAIL.
RT114CFRBS177BLC	RACING 77	NOT AVAIL.	RACING SPORT - 2014	NOT AVAIL.
RT114CFRBS177313	RACING 77	NOT AVAIL.	RACING SPORT - 2014	NOT AVAIL.
R5114CFRBS1BLC	RACING 55	NOT AVAIL.	RACING 5 - 2014	NOT AVAIL.
R5114CFRBS1REC	RACING 55	NOT AVAIL.	RACING 5 - 2014	NOT AVAIL.
R5114CFRBS1GRC	RACING 55	NOT AVAIL.	RACING 5 - 2014	NOT AVAIL.
R5114CXFRBS1REC	RACING 55 CX	NOT AVAIL.	RACING 5 CX - 2014	NOT AVAIL.

CUSTOM WHEELS

CODE	MODEL DESCRIPTION	CHARACTERISTICS	REFERENCE MODEL	DIFFERENCES
CUBE				
R4I14CFRBS1BLC	RACING 44 AERO	FRONT + REAR HG11	RACING QUATTRO H35 - 2013	blue sticker
R4I14CFRBS1GR	RACING 44 AERO	FRONT + REAR HG11	RACING QUATTRO H35 - 2013	green sticker
RTI14CFRBS177REG	RACING 77	FRONT + REAR HG11	RACING SPORT - 2014	grey sticker

STEVENS				
R7I13CXFRBSSTE	RACING 7 CX	FRONT + REAR HG10	RACING 7 CX - 2013	red sticker
RTI14CFRBS1ST	RACING SPORT	FRONT + REAR HG11	RACING SPORT - 2014	silver/grey sticker
R7I14CXFRBS1ST	RACING 7 CX	FRONT + REAR HG11	RACING 7 CX - 2014	red sticker

VERY GOOD LEISURE				
RP7I14DFRBVGL	RED POWER 650B XL	FRONT QR + REAR QR	RED POWER 650B XL - 2014	red rim

SPECIALIZED				
R4I13CFRBSSP	RACING 4	FRONT + REAR HG11	RACING 4 - 2011	red/white sticker + QR M.R.
S3I143CFRBS1	RACING S3	FRONT + REAR HG11	NOT AVAIL.	black sticker + QR M.R.
S3I143CFRRS1	RACING S3	FRONT + REAR HG11	NOT AVAIL.	red sticker + QR M.R.

CUSTOM WHEELS

CODE	MODEL DESCRIPTION	RIM	SPOKES	STICKERS
CUBE				
R4I14CFRBS1BLC	RACING 44 AERO	NOT AVAIL.	RACING QUATTRO H35 - 2013	NOT AVAIL.
R4I14CFRBS1GR	RACING 44 AERO	NOT AVAIL.	RACING QUATTRO H35 - 2013	NOT AVAIL.
RTI14CFRBS177REG	RACING 77	NOT AVAIL.	RACING SPORT - 2014	NOT AVAIL.

STEVENS				
R7I13CXFRBSSTE	RACING 7 CX	NOT AVAIL.	RACING 7 CX - 2013	NOT AVAIL.
RTI14CFRBS1ST	RACING SPORT	NOT AVAIL.	RACING SPORT - 2014	NOT AVAIL.
R7I14CXFRBS1ST	RACING 7 CX	NOT AVAIL.	RACING 7 CX - 2014	NOT AVAIL.

VERY GOOD LEISURE				
RP7I14DFRBVGL	RED POWER 650B XL	NOT AVAIL.	RED POWER 650B XL - 2014	NOT AVAIL.

SPECIALIZED				
R4I13CFRBSSP	RACING 4	RACING 4 - 2011 with black stickers	RACING 4 - 2011	NOT AVAIL.
S3I143CFRBS1	RACING S3	NOT AVAIL.	S3-016 S3-018 S3-019	NOT AVAIL.
S3I143CFRRS1	RACING S3	NOT AVAIL.	S3-016 S3-018 S3-019	NOT AVAIL.

CUSTOM WHEELS

CODE	MODEL DESCRIPTION	CHARACTERISTICS	REFERENCE MODEL	DIFFERENCES
SPECIALIZED				
S3I14CFRBS1SH	RACING S3	FRONT + REAR HG11	NOT AVAIL.	black sticker + rear QR M.R. L.182,5
S3I14CFRRS1SH	RACING S3	FRONT + REAR HG11	NOT AVAIL.	red sticker + rear QR M.R. L.182,5
S4I143CFRBS1	RACING S4	FRONT + REAR HG11	NOT AVAIL.	black sticker + rear QR L.182,5
S4I143CFRRS1	RACING S4	FRONT + REAR HG11	NOT AVAIL.	red sticker + rear QR L.182,5
S4I143CFRWS1	RACING S4	FRONT + REAR HG11	NOT AVAIL.	white sticker + rear QR L.182,5
S5I143CFRBS1	RACING S5	FRONT + REAR HG11	NOT AVAIL.	black sticker + rear QR L.182,5
S5I143CFRRS1	RACING S5	FRONT + REAR HG11	NOT AVAIL.	red sticker + rear QR L.182,5
S5I143CFRWS1	RACING S5	FRONT + REAR HG11	NOT AVAIL.	white sticker + rear QR L.182,5

CUSTOM WHEELS

CODE	MODEL DESCRIPTION	RIM	SPOKES	STICKERS
SPECIALIZED				
S3I14CFRBS1SH	RACING S3	NOT AVAIL.	S3-016 S3-018 S3-019	NOT AVAIL.
S3I14CFRRS1SH	RACING S3	NOT AVAIL.	S3-016 S3-018 S3-019	NOT AVAIL.
S4I143CFRBS1	RACING S4	NOT AVAIL.	S4-016 S4-018 S4-019	NOT AVAIL.
S4I143CFRRS1	RACING S4	NOT AVAIL.	S4-016 S4-018 S4-019	NOT AVAIL.
S4I143CFRWS1	RACING S4	NOT AVAIL.	S4-016 S4-018 S4-019	NOT AVAIL.
S5I143CFRBS1	RACING S5	NOT AVAIL.	S5-016 S5-018 S5-019	NOT AVAIL.
S5I143CFRRS1	RACING S5	NOT AVAIL.	S5-016 S5-018 S5-019	NOT AVAIL.
S5I143CFRWS1	RACING S5	NOT AVAIL.	S5-016 S5-018 S5-019	NOT AVAIL.

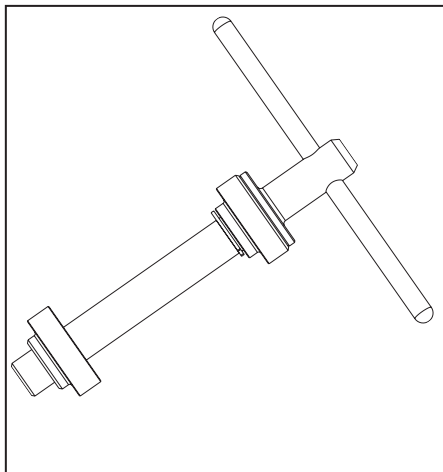
CUSTOM WHEELS

CODE	MODEL DESCRIPTION	CHARACTERISTICS	REFERENCE MODEL	DIFFERENCES
KAWASHIMA				
R0-132FRRBCKA	RACING 0 2WF	FRONT + REAR CAMPY	RAC 0 2WF - 2013	red spokes + cult bearings and black flange
R0-132FRRCKA	RACING 0 2WF	FRONT + REAR CAMPY	RAC 0 2WF - 2013	red spokes + red rim + cult bearings and red flange
R0-132FRRBS1KA	RACING 0 2WF	FRONT + REAR HG11	RAC 0 2WF - 2013	red spokes + cult bearings and black flange
R0-132FRRS1KA	RACING 0 2WF	FRONT + REAR HG11	RAC 0 2WF - 2013	red spokes + red rim + cult bearings and red flange

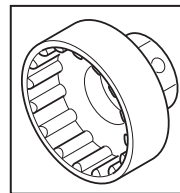
CUSTOM WHEELS

CODE	MODEL DESCRIPTION	RIM	SPOKES	STICKERS
KAWASHIMA				
RO-132FRRBCKA	RACING 0 2WF	RAC 0 2WF - 2013 without stickers	ROF-SKR01 ROR-SKR11	RO-LAB132KARB
RO-132FRRCKA	RACING 0 2WF	ROF-CRRKA ROR-CRRKA	ROF-SKR01 ROR-SKR11	RO-LAB132KAR
RO-132FRRBS1KA	RACING 0 2WF	RAC 0 2WF - 2013 without stickers	ROF-SKR01 ROR-SKR11	RO-LAB132KARB
RO-132FRRS1KA	RACING 0 2WF	ROF-CRRKA ROR-CRRKA	ROF-SKR01 ROR-SKR11	RO-LAB132KAR

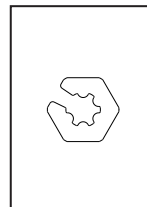
TOOLS



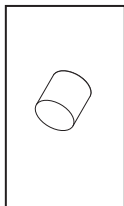
UT-BB140
Attrezzo calotte RACING TORQ™ OS-fit™
Tool for RACING TORQ™ OS-fit™ cups
Outil pour cuvettes RACING TORQ™ OS-fit™



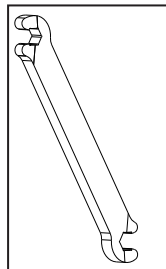
UT-BB130
Attrezzo calotte RACING TORQ™ /
ghiera AFS™
Tool for RACING TORQ™ cups / AFS™
lockring
Outil pour cuvettes RACING TORQ™ /
écrou AFS™



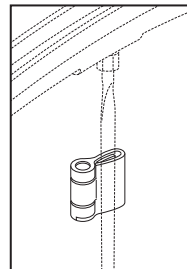
T-20
Chiave tiraraggi RED CARBON
Spoke wrench RED CARBON
Clé à rayons RED CARBON



T-05
Magnetè guida-nipplo
Nipple guide magnet
Aimant de guidage écrou

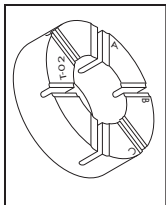


T-07
Chiave tiraraggi
Spoke wrench
Clé à rayons



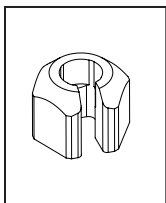
T-09
Magnetè velocità
SPD magnet
Aimant vitesse

TOOLS



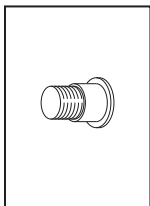
T-02

Anello anti-rotazione raggi
Spoke antirotation ring
Bague antirotation des rayons



T-18

Chiave tiraraggi per nipplo in alluminio
Spoke wrench for aluminum nipple
Clé à rayons pour écrou en aluminium

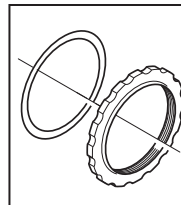


T-03 RACING 1 / RACING ZERO / RED METAL ZERO / RED CARBON / RED METAL 1

T-10 RED METAL 3 / 29 XLR / FIRE / ZONE XLR / RACING 3 / RACING QUATTRO

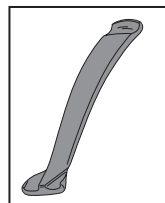
T-11 RED WIND XLR / RED WIND / RACING SPEED XLR 35 / RACING SPEED 35 / RACING SPEED XLR 80 / RACING SPEED 80 / RED METAL 29 XRP / RED METAL XRP 650B

Inserto nipplo attira-magnete
Magnet-attracting nipple insert
Insert d'écrou pour attirer l'aimant



4-M1-101 (4 pcs.)

Ghiera AFST™
AFST™ lockring
Ecrou AFST™



WH-109HYC (6 pcs.)

Leva in composito per rimozione copertoncino
Composite lever for removing clinchers
Démonte-pneus en composite

HEADQUARTERS

FULCRUM WHEELS S.R.L.

Via E.Fermi 13
36057 Arcugnano (VI)
Tel. +39 0444 289306
Fax +39 0444 962844
info@fulcrumwheels.com
technical@fulcrumwheels.com

BRANCH OFFICES

FRANCE

FULCRUM FRANCE
58640 Varennes Vauzelles
Tel. +33 386 577867
infos@fulcrumwheels.fr

FULCRUM CENTRAL EUROPE

BERLIN GERMANY
Tel: +49 (163) 625 8941
info@fulcrum-ce.com

JAPAN

FULCRUM JAPAN
65 Yoshida-cho, Naka-ku
231-0041 Yokohama
Tel +81 45 264 2780
info@fulcrum-jp.com

NORTH AMERICA - USA

FULCRUM NORTH AMERICA
Sarasota, Florida
Tel +1 (941) 894 7930
info@fulcrum-na.com

TAIWAN

PRIMATEK Ltd.
No.4, Gongyequ 10th Rd.
Taichung City 407 - Xitun Dist.
Taiwan (R.O.C.)
Tel: +886 4 23506831
Fax: +886 4 23596764
info@primatek.biz

SERVICE CENTER NETWORK

AUSTRALIA

FRF Sports
3/595 Princes Highway
Tempe, NSW 2044
PO Box 421 Bexley, NSW 2207
t. 02 9559 9000

AUSTRIA

EHS
A-4600 WELS
Tel. +43 7242 206360221
Fax +43 7242 20636020
e-mail: office@ehs.at

BELGIUM

SPORT BIKES BVBA
Industrielaan 46
9660 Brakel
Tel. 0032 55 42 63 37
Fax 0032 55 42 61 33
Service-be@fulcrumservice.com

CANADA

LIVE TO PLAY SPORTS
1465 Kebeł Way, Port Coquitlam, BC,
Canada, V3C 6L3
VANCOUVER AREA
Tel. 604-552-2940
TORONTO AREA
Tel. 905-851-1133
http://www.livetoplaysports.com

CHINA

GREEN MILESTONE CO., LTD
BUILDING 19, AREA 2 of
GANLUYUAN SOUTH LANE
CHAOYANG DISTRICT - BEIJING P.R.C.
Tel. +86 10/85755747
e-mail: labike@263.net

CHINA

POWER RACING (Wujiang) Co Ltd
No 2278 Pangjin Road, Wujiang Econ Tech
Development Zone, JiangSu Province PRC,
(PC#215200)
Tel: +86 512 63106018; +86 10 59231016
e-mail: info@ironorechina.com

CZECH REPUBLIC , SLOVAKIA

CAROSSELLO S.R.O.
70200 Ostrava
CHECK REPUBLIC
Tel. +420 596 745693
Fax +420 596 745 692
e-mail: maxcursor@maxcursor.cz

FRANCE

FULCRUM FRANCE EURL
58640 VARENNES VAUZELLES
Tel. +33 386 577867
e-mail: infos@fulcrumwheels.fr

GERMANY

HERMANN HARTJE KG
27318 Hoya/Weser
Tel. +49 425 18110
e-mail: hartmut.wiechmann@hartje.de

JBS GMBH & CO.KG
D-52249 Eschweiler
Tel. +49 240378360
Fax +492403783679
e-mail: kontakt@jbs-trading.de

HONG KONG

IRON ORE CO. LTD
3/F, Wing Wah Industrial Building,
137-143 Yeung Uk Road,
Tsuen Wan, New Territories,
Hong Kong

SERVICE CENTER NETWORK

JAPAN

FULCRUM Japan,
65 yoshida-cho, nakaku, 321-0041,
Yokohama
Email: info@fulcrum.jp.com
Tel: 0081 45 264 2780

KOREA

VERY GOOD LEISURE (CELLOSPORT)
Nonhyun-dong, Gangnam-gu Seoul
Tel. +82 2 3014 4075
Fax +82 2 3448 5482
e-mail: chaj21@cellosports.com

ITALY

FULCRUM Service Center
Via della Chimica, 4
36100 Vicenza
Tel. 0444-225600
Fax 0444-225606
e-mail: service.fulcrumwheels@fulcrumwheels.com

NETHERLAND

ONEWAY DISTRIBUTION BV
Postbus 12, 3000 AA Rotterdam
Tel. 010 340 3510
Fax 010 340 3501
e-mail: Service-nl@fulcrumservice.com

NEW ZEALAND

PAWSON REID VELO LTD.
O Box 19600 Avondale
Auckland 1746
NEW ZEALAND
Tel. 09 820 3512
Fax 09 820 6471
e-mail: suhag@prv.co.nz

POLONIA

P.H.U. WERTYKAL
ul. Slaska 116
32-080 Zabierzow
Tel. +48-12-346 16 69
Fax +48-12-378 94 79

PORTUGAL

VIEIRA GRACA & CA. LDA
Zona Industrial de Alferrarede
2200-293 Abrantes
PORTUGAL
Tel. +351 241371 766 (8)
Fax +351 241377 415
e-mail: vieira.graca.jb@gmail.com

SLOVENIA

MAXISPORT
Smartinska c. 211
1000 LJUBLJANA - SLOVENIA
Tel. 00386 15411060
Fax 00386 15416761

SOUTH AFRICA

ASG SPORT SOLUTIONS (PTY) LTD
Indirizzo: South Africa, 116b glen avenue, Willow Glen,
Pretoria
Email: info@asgsport.co.za
Email: orders@asgsport.co.za
Tel: +27 12 751 4130/31/32/33
Fax: +27 86 730 3099

SPAIN

CASA MASFERRER S.A.
08400 Granollers- Barcelona (E)
Tel. +34 93 8463444
Fax +34 93 8465355
e-mail: cmventas@casamaferrer.com

SWITZERLAND

GOOD PRICE GPR AG
8610 Uster
Tel. +41 44 9449393
Fax +41 44 9449394
e-mail: info@gprag.ch

TAIWAN

MARECHAL INTERNATIONAL CO., LTD.
No.9, Sinmin Lane, Nantun District
Taichung City 40871, Taiwan
Tel +886-4 2479 3208
Fax +886-4 2479 3209
e-mail: asia@marechal.ca

UNITED KINGDOM

IRIDE.CO.UK
7-8B Mid Sussex Bus. Park
Ditchling Common Ind. Est.
Folders Lane East, Ditchling, Sussex
BN6 8SE
Tel. 01444 243000,
Fax 01444 239215
e-mail: service@i-ride.co.uk

U.S.A.

Fulcrum N.A. LLC
4553 Mariotti Court
Suite #103 Sarasota, FL. 34233
Office Tel: 941-924-1300
Office Fax: 1800-305-7603
darren.dowling@fulcrum-na.com

SALES NETWORK

AUSTRALIA

FRF SPORTS HEAD OFFICE
3/595 Princes Highway
Tempe NSW 2044
Australia 02 9559 9000
e-mail: info@frfsports.com

BELGIUM

SPORT BIKES BVBA
Industrielaan 46
9660 Brakel
Belgium
Tel. 0032 55 42 63 37
Fax 0032 55 42 61 33
e-mail : fulcrumsales@sportbikes.be

CANADA

LIVE TO PLAY SPORTS
1465 Kebet Way, Port Coquitlam, BC,
Canada, V3C 6L3
VANCOUVER AREA
Tel. 604-552-2940
TORONTO AREA
Tel. 905-851-1133
http://www.livetoplaysports.com

CHINA

POWER RACING (Wujiang) Co Ltd
No 2278 Pangjin Road, Wujiang
Econ Tech Development Zone, JiangSu
Province PRC, (PC#215200)
Tel: +86 512 63106018
+86 10 59231016
e-mail: info@ironorechina.com

CHINA

GR BIKE SHANGHAI TRADING CO.
201322 Pudong new area
SHANGHAI - P.R. CHINA
Tel. +86 2160979971
Fax +86 2160979970
e-mail: roberto.vaglio@riva.com.cn

GREEN MILESTONE CO., LTD
BUILDING 19, AREA 2 OF
GANLUYUAN SOUTH LANE
CHAOYANG DISTRICT - BEIJING
P.R.C.
Tel. +86 10/85755747
e-mail: labike@263.net

CZECH REPUBLIC, SLOVAKIA

CAROSELLO S.R.O.
70200 Ostrava
CHECK REPUBLIC
Tel. +420 596 745693
Fax +420 596 745 692
e-mail: maxcursor@maxcursor.cz

FINLAND

VELOSPORT KY
Mäkelänkatu 95, 00.610 Helsinki,
Finlandia
Tel: 00358 9 7571377
e-mail: info@velosport.fi

FRANCE

FULCRUM FRANCE EURL
58640 VARENNES VAUZELLES
Tel. +33 386 577867
e-mail: infos@fulcrumwheels.fr

GERMANY

HERMANN HARTJE KG
27318 Hoya/Weser
Germany
Tel. +49 425 18110
e-mail: sven.schmitting@hartje.de

JBS RADSPORT GROSSHANDEL E.H.
D-52249 Eschweiler
Germany
Tel. +49 240378360
Fax +492403783679
e-mail: kontakt@jbs-trading.de

GREEK

ACTIVE ZONE NETWORK S.A.
Varis Koropiou & Makedonias 2
166 72 Vari, Greece
Tel.: + 30 210 9612929
Fax: + 30 210 9612520
e-mail: takis.xouris@cyclist.gr

HONG KONG

IRON ORE CO. LTD
3/F, Wing Wah Industrial Building,
137-143 Yeung Uk Road,
Tsuen Wan, New Territories,
Hong Kong

INDONESIA

CV. RODA LINTAS KHATULISTIWA
JL. AGUNG TIMUR II
BLOCK 04 NO. 5
JAKARTA
14350 INDONESIA

KOREA

VERY GOOD LEISURE (CELLOSPORT)
Nonhyun-dong, Gangnam-gu Seoul
Tel: +82 2 3014 4075
Fax: +82 2 3448 5482
e-mail: choj21@cellosports.com

JAPAN

KAWASHIMA CYCLE SUPPLY CO
OSAKA, 590-0007
JAPAN
Tel. +81 722 381557
Fax +81 722 386213
e-mail: info@riogrande.co.jp

NETHERLANDS

ONEWAY DISTRIBUTION BV
Postbus 12 , 3000 AA Rotterdam
Tel. 0031(0)10 340 3510
Fax 0031(0)10 340 3501
e-mail: fulcrumsales@o-w-d.nl

NEW ZELAND

PAWSON REID VELO LTD.
O Box 19600 Avondale
Auckland 1746
NEW ZELAND
Tel. 09 820 3512
Fax 09 820 6471
e-mail: suhag@prv.co.nz

NORWAY/SWEDEN

STIANS SPORT AS
Po.Box 123 Røa, N-0701 Oslo
Aslakveien 20D-5, N-0753 Oslo
Norway
Tel: +47 22 51 55 00
Fax: +47 22 51 55 01
e-mail: IJN@stians-sport.no

SALES NETWORK

PORTUGAL

VIEIRA GRACA & CA. LDA
Zona Industrial de Alfarrerede
2200-293 Abrantes
PORTUGAL
Tel. +351 241371 766 (8)
Fax +351 241377 415
e-mail: vieira.graca.jb@gmail.com

RUSSIA

VELOSPORT
Domodedovskaya st. 28
115582 Moscow
Tel. +7 (495) 223-43-28
Tel/Fax +7 (495) 223-44-28
e-mail: sale@velosport.ru

SINGAPORE

RODALINK
7, kaki Bukit Road 1
n°3-07 Eunos Technolink
Singapore 415937
Tel. 65-67493239
Fax 65-67493531
e-mail: rodalink.sg@rodalink.com

SPAIN

CASA MASFERRER S.A.
08400 Granollers- Barcelona (E)
Tel. +34 93 8463444
Fax +34 93 8465355
cmventas@casamassferrer.com

SOUTH AFRICA

ASG SPORT SOLUTIONS (PTY) LTD
South Africa, 116b glen avenue, Willow Glen,
Pretoria
Email: info@asgsport.co.za
Email: orders@asgsport.co.za
Tel: +27 12 751 4130/31/32/33
Fax: +27 86 730 3099

SWITZERLAND

GOOD PRICE GPR AG
8610 Uster
Tel. +41 44 9449393
Fax +41 44 9449394
e-mail: info@gprag.ch

TAIWAN

MARECHAL INTERNATIONAL CO., LTD.
No.9, Sinmin Lane, Nantun District
Taichung City 40871, Taiwan
Tel. +886-4 2479 3208
Fax +886-4 2479 3209
e-mail: asia@marechal.ca

THAILAND

PIRIYA INTERNATIONAL CO. LTD
Bangkok
Tel. +662 51 501 7980
Fax +662 51 501 02
noppadon@piriya-internation.com

UNITED KINGDOM

I-RIDE.CO.UK
7-8B Mid Sussex Bus. Park
Ditchling Common Ind. Est.
Folders Lane East, Ditchling, Sussex
BN6 8SE
Tel. 01444 243000,
Fax 01444 239215
e-mail: info@i-ride.co.uk

U.S.A.

QUALITY BICYCLE PRODUCTS, INC.
55438-2554 BLOOMINGTON, MN
Tel. +1 952 9419391
Fax +1 952 6565252
e-mail: info@qbp.com

THE HAWLEY, LLC
1181 S. Lake Drive
Lexington, SC
29073 USA
Tel. +1 803.359.3492
Fax +1 803.359.5317,
+1 800.822.1985
e-mail: sales@hawleyusa.com

SBS – An Accell Group Company
7620 S. 192nd St., Kent
WA 98032
Tel 425- 251-1515
Fax 425-656-2864
info@seattlebikesupply.com

F.I.C FULCRUM® IDENTIFICATION CARD

Fatigue test

before the manufacturing stage, each wheel and each of its components are subjected to long and very challenging tests that ensure the durability and performance over time.

Crash Test

it simulates the impact of the wheels with possible obstacles. The Fulcrum® tests have successfully passed the tests required by UCI standards.

Environment Test

exposure to UVA and UVB rays, salt attack and exposure to moisture: these are the tests that all Fulcrum® wheels must pass to ensure maximum performance and reliability over time.

100% Manually assembled and Electronically checked

The pre-emptive tests mentioned above may be sufficient. But not for Fulcrum® who wants to ensure the highest quality of each individual wheel, checking the parameters at the end of the production process.

This is why Fulcrum® made a clear and conscious choice: to assemble each wheel manually and submit it to a series of final checks that guarantee their quality.

This is the only way, thanks to the entirely manual assembly by trained and specialised personnel and the final 100% checks carried out by specially designed electronic instruments, it is possible to ensure the

quality of the wheel you have purchased.

- **Balancing:** it guarantees the absence of vibrations at fast speed.
- **Lateral and radial control:** it guarantees the perfect alignment of the wheel to ensure rolling of the wheel.
- **Camber:** it ensures the perfect symmetry of the wheels with the bicycle.
- **Spokes tension:** it ensures optimal balance at every point of the wheel.
- **Rolling torque of the hub:** it insures a perfect adjustment of the hubs.

This is why, from its 2012 range, Fulcrum® wanted to supply each wheel with its own Identity Card (ID) which uniquely identifies the wheel and certifies that it has been manually assembled and has passed all tests required by the strict quality protocol.



F.I.C
FULCRUM
IDENTIFICATION CARD

FULCRUM WHEELS S.R.L.

Via E.Fermi 13 - 36057 Arcugnano (VI)
Tel. +39 0444 289306 - Fax +39 0444 962844
info@fulcrumwheels.com - technical@fulcrumwheels.com