



STORM DOOR CATALOG | 2015

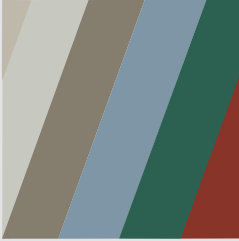


STORM DOORS

Every storm door is individually customized to the highest standards in the residential market for homeowners who appreciate impeccable, uncompromising quality.



STORM DOOR CONSTRUCTION



A

Durable, oven-baked polyester finishes are backed by a Lifetime Warranty for lasting beauty and low maintenance.



B

Extruded aluminum frame adds beauty to your door by virtue of the rounded cove molding along the glass edge of the extrusion.



C

All our storm doors are constructed with **tempered safety glass**.



D

You'll appreciate the finished look of our **color matched aluminum installation screw covers**.



E

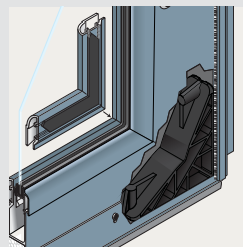
Each door features **quality hardware** that adds beauty and functionality to your new storm door. Varies by model.



Sashes are secured by our **color matched polycarbonate clips** or an **internal sash lock system**. Varies by model.



Smooth function is essential. That's why we include a **quality door closer** in every storm door package. Varies by model.



F

Corrosion-proof corner gussets enhance the structural integrity of the door.



G

Our **bottom expander with sweep** allows for a beautiful custom-fit to any entry. Varies by model.

All ProVia Storm Doors are available for use in the Impact Shield regions. While storm doors help protect your entry door from the elements, they are NOT wind-borne debris tested, and therefore are NOT considered an Impact Shield Product.

STORM DOOR DETAILS

The details are the small things that set our storm doors apart from the competition. A lot of small things add up to a big difference.



STORM DOOR PAINT FINISHING SYSTEM

Our paint process is computer controlled, ensuring professional quality every time.

Paint is electrostatically applied with a vertical hydraulic reciprocator using a turbo disc that atomizes the paint particles for better coverage of contoured extrusions.

LIFETIME

— FINISH WARRANTY —

For all Storm Doors

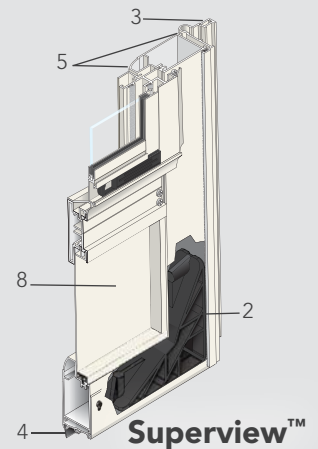
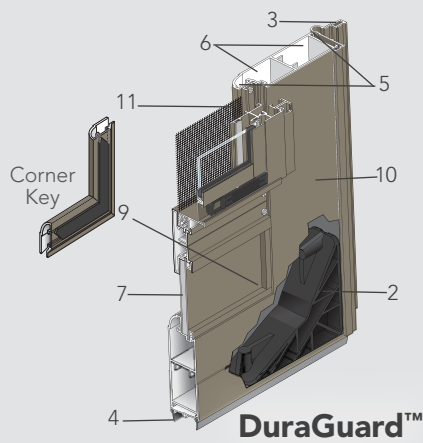
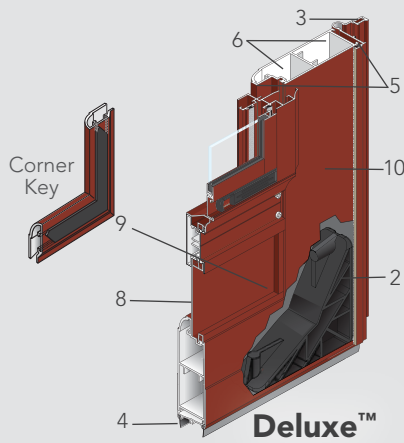
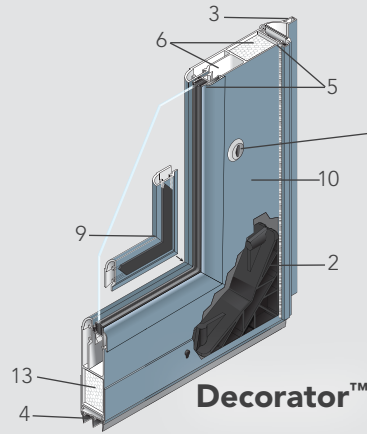
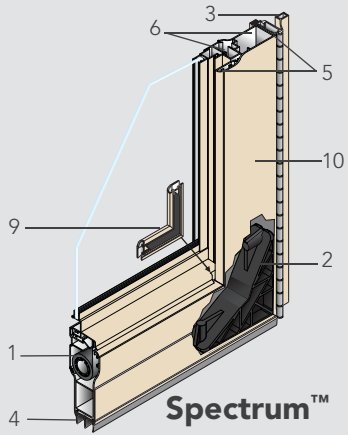
Storm Door Paint Colors

To select paint color, refer to our color selector for accurate color representation.

Snow Mist	Café Cream	Primrose Yellow †	Chateau	Sandpiper Beige	Sandstone	Sterling Gray	Clay
Geneva Blue	Enzian Blue †	Forest Green	Vallis Red †	Mountain Berry	Rustic Bronze	Tudor Brown	Coal Black

† Limited Colors. Available on entry doors and storm doors. Matching cladding and caulking not available.

STORM DOOR CONSTRUCTION



Construction

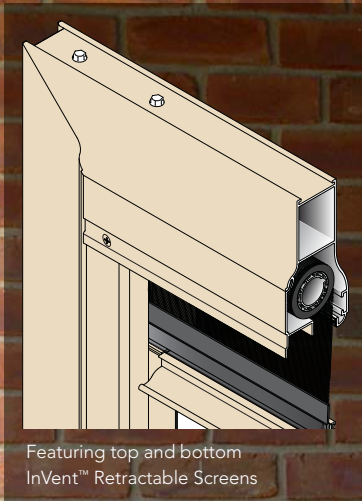
	Spectrum™	Decorator™	Deluxe™	DuraGuard™	Superview™
1 InVent™ Retractable Screen System	●				
2 Outside corners are secured to corrosion-proof gussets, for structural integrity	●	●	●	●	●
3 Color matched aluminum installation screw covers enhance the appearance of your door	●	●	●	●	●
4 The bottom sweep eliminates drafts	Triple	Triple	Double	Double	Single
5 The sculptured frame adds durability	1¼" x 4¾"	1¼" x 4"	1¼" x 3¾"	1¼" x 3¾"	1¼" x 2¾"
6 Multi-hollow construction provides greater strength and security than standard storm doors	●	●	●	●	●
7 The reinforced aluminum kick panel adds durability	●			●	
8 The aluminum kick panel resists rust and adds strength			●		●
9 Corner keys provide added support to the inside of the door frame	●	●	●	●	
10 Aluminum wall thickness up to 20% thicker than industry standard	●	●	●	●	
11 The .023 gauge stainless steel screen offers extra security and protection (12 x 12 mesh)				●	
12 Sash/Screen secured by internal lock system or color matched polycarbonate clips		Internal Lock	Clips	Clips	Clips
13 Standard insulated frame core to help reduce air movement		●			
14 Screen included	●	Optional	●	●	●

SPECTRUM™

Spectrum Series storm doors bring you smooth functionality, beauty and durability. Our exclusive top and bottom InVent™ retractable screen system allows you more venting options than ever.

Spectrum Storm Doors Include:

- Two InVent™ retractable screens with Compound Tension sashes
- Triple seal bottom sweep
- 1¼" x 4¾" wide sculptured frame



Featuring top and bottom InVent™ Retractable Screens



291 Full View

SPECTRUM STYLES



#295-B Full View Double Prairie with Beveled Glass and Brass Inlay ◊



#295-Z Full View Double Prairie with Beveled Glass and Zinc Inlay



#295 Full View Double Prairie with Beveled Glass



#291 Full View (Inspirations Glass available)



#298-B Three-Quarter View with Beveled Glass and Brass Inlay ◊



#298-Z Three-Quarter View with Beveled Glass and Zinc Inlay



#298-VG Three-Quarter View with Beveled Glass



#298 Three-Quarter View (Inspirations Glass available)



#292 Provincial Half-Lite



#293 Crossback Half-Lite



#279 Flush Half-Lite



#291SH Full View (Only one InVent top screen and fixed bottom sash)



#298SH Three-Quarter View (Only one InVent top screen and fixed bottom sash)



#274SH Half-Lite (Only one InVent top screen and fixed bottom sash)



INSPIRATIONS[™]
art glass

Ask to see our Inspirations Art Glass brochure for our complete selection of designs, color palettes and style availability.



#298-COS Cosmopolitan (Sedona)



#298-AZT Aztec (Coral Reef)

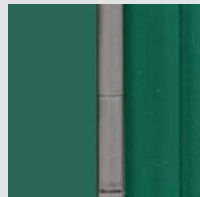


#298-TUL Tulips (Vineyard)

Standard Hardware and Accessories



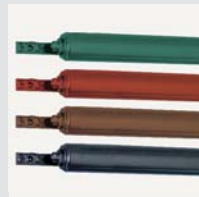
Satin Nickel Sierra solid brass Mortise Hardware ◊
NOT recommended or warranted for coastal applications



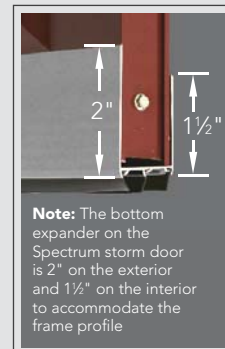
Satin Nickel piano hinge ◊



1 1/2" Satin Nickel bottom expander ◊



Color matched dual closers



Note: The bottom expander on the Spectrum storm door is 2" on the exterior and 1 1/2" on the interior to accommodate the frame profile



For French Storm Door information refer to pg. 135 of the ProVia Door Price List

◊ Bright Brass hardware, brass-look piano hinge and brass-look bottom expander are standard on Spectrum storm doors with brass casing.

DECORATOR™

Decorator Series provides a stylish, fresh look to accent your entry. Select one of the distinct styles from our Decorator Series storm doors.

Decorator Storm Doors Include:

- Triple seal bottom sweep
- 1¼" x 4" wide sculptured frame



591-Z Full View Archway with Beveled Glass & Zinc Inlay

DECORATOR STYLES



#591 Full View Archway with Beveled Glass



#591-B Full View Archway with Beveled Glass & Brass Inlay



#591-Z Full View Archway with Beveled Glass & Zinc Inlay ◊



#595 Full View Double Prairie with Beveled Glass



#595-B Full View Double Prairie with Beveled Glass & Brass Inlay



#595-Z Full View Double Prairie with Beveled Glass & Zinc Inlay ◊



#590 Full View



INSPIRATIONS™
art glass

Ask to see our Inspirations Art Glass brochure for our complete selection of designs, color palettes and style availability.

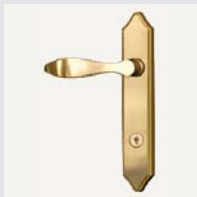


590-SYN Synergy (Vineyard) ◊

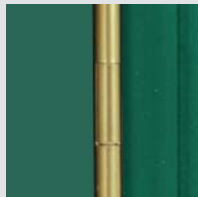


590-VIN Vintage (Timberland) ◊

Standard Hardware and Accessories



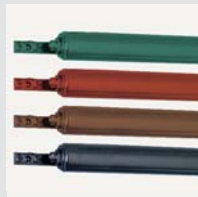
Bright Brass Windsor hardware ◊



Brass-look piano hinge ◊



Color matched bottom expander



Color matched dual closers



For French Storm Door information refer to pg. 135 of the ProVia Door Price List

Optional full screen with horizontal stabilizer bar available for all Decorator doors.

◊ Satin Nickel hardware, and Satin Nickel piano hinge are standard on Decorator storm doors with zinc coming or Inspirations Art Glass.

DELUXE™

Deluxe Series is the answer whether you're looking for additional light, ventilation or protection from the elements. You'll find the exact style you're looking for in our Deluxe Series of storm doors.

Deluxe Storm Doors Include:

- Double seal bottom sweep
- 1¼" x 3⅝" wide sculptured frame
- BetterVue™ Fiberglass Screen



382 Full View with Beveled Glass

DELUXE STYLES



#385 Full View Double Prairie with Beveled Glass (Includes screen*)



#382 Full View with Beveled Glass (Includes screen*)



#397 Full View (Includes screen*)



#391 Full View Divided Lite (Includes top screen)



#396-V One-Lite with fixed .023 gauge stainless steel screen ventilated bottom & removable sash (Includes top screen*) (Inspirations Glass available)



#396 One-Lite (Includes screen*) (Inspirations Glass available)



#399 Self-Storing (Includes full screen*)



#398 Hi-Lite (Includes top screen)



#389 Self-Storing (Includes full screen*)



#392 Provincial Self-Storing (Includes full screen)



#394 Provincial (Includes screen)



#393 Crossback Self-Storing (Includes full screen)



#395 Crossback (Includes screen)



#379 Self-Storing (Includes full screen)



#374 Flush Half-Lite (Includes screen)



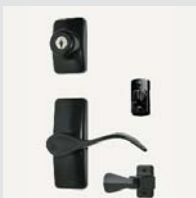
INSPIRATIONSSM
art glass

Ask to see our Inspirations Art Glass brochure for our complete selection of designs, color palettes, and style availability.

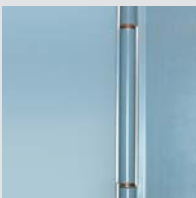


#397-VIN
Vintage (Timberland)

Standard Hardware and Accessories



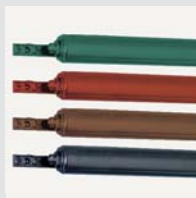
Black Contemporary Curve lever with deadbolt



4 color matched leaf hinges with brass bushings



Color matched bottom expander



Heavy-duty color matched closer



For French Storm Door information refer to pg. 135 of the ProVia Door Price List

* Full and One-Lite screens have horizontal stabilizer bar

DURAGUARD™

DuraGuard is exactly what you need if you're concerned about keeping your small children and pets safely inside. Select one of our doors with heavy-duty, non-removable stainless steel screening.

DuraGuard Storm Doors Include:

- Double seal bottom sweep
- Non-removable .023 stainless steel screen
- 1¼" x 3⅝" wide sculptured frame



097 Screen Door

DURAGUARD STYLES



#097 Screen Door
#097-G with removable glass insert



#096 Screen Door
#096-G with removable glass insert
Reinforced Aluminum kick panel



#096-GV With ventilated bottom and removable top and bottom sashes



Reinforced Aluminum kick panel
#099 Self-Storing Sash & Screen



Reinforced Aluminum kick panel
#089 Self-Storing Sash & Screen



Reinforced Aluminum kick panel
#074 Flush Half Lite (Removable sash)



Reinforced Aluminum kick panel
#094 Provincial Half Lite (Removable sash)



Reinforced Aluminum kick panel
#095 Cross-buck Half Lite (Removable sash)



Reinforced Aluminum kick panel
#092 Provincial Self-Storing



Reinforced Aluminum kick panel
#093 Cross-buck Self-Storing



Reinforced Aluminum kick panel
#079 Self-Storing

Standard Hardware and Accessories



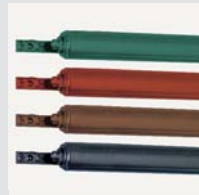
Black Contemporary Curve lever with deadbolt



4 color matched leaf hinges with brass bushings



Color matched bottom expander



Heavy-duty color matched closer



For French Storm Door information refer to pg. 135 of the ProVia Door Price List

SUPERVIEW™

Superview offers a selection of storm doors constructed for style and value in one complete package.

Superview Storm Doors Include:

- Single seal bottom sweep
- 1¼" x 2⅝" sculptured frame
- BetterVue™ Fiberglass Screen



SUPERVIEW STYLES



#897 Full View
(Includes screen*)



#896 One-Lite
(Includes screen*)



#898 Hi-Lite
(Includes top screen)

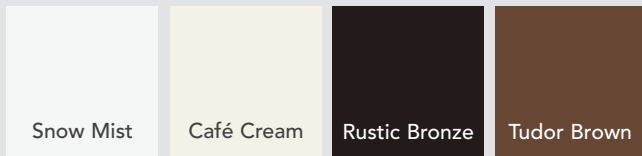


#899 Self-Storing
(Includes bottom screen)



#895 Crossback
(Includes screen)

Superview storm doors are available in the following colors

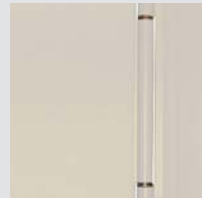


To select paint color, refer to our color selector for accurate color representation.

Standard Hardware and Accessories



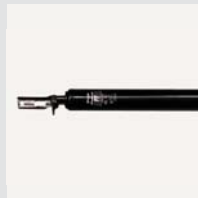
Black Pull Handle
(Also available in white)



4 color matched leaf hinges
with brass bushings



Color matched
bottom expander



Single Black Closer
(Also available in white)

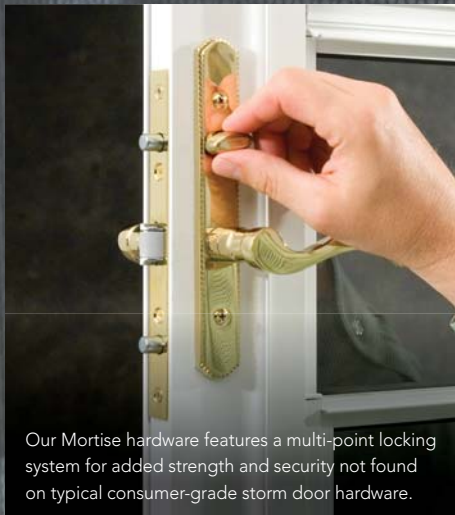


For French Storm Door
information refer to
pg. 135 of the ProVia
Door Price List

* Full and One-Lite screens have horizontal stabilizer bar

MORTISE HARDWARE

Mortise Hardware adds a special touch to your storm door with a solid brass handleset to suit your style. Our Mortise hardware conveniently allows you to use the same key for your storm door and your ProVia entry door.



Our Mortise hardware features a multi-point locking system for added strength and security not found on typical consumer-grade storm door hardware.



Satin Nickel Sierra Mortise Hardware

Sierra (Solid Brass Mortise) (NOT recommended or warranted for coastal applications)



Venice (Solid Brass Mortise) (NOT recommended or warranted for coastal applications)



Hardware Finish Availability					Hardware Availability				
Exterior Handle Styles	LIFETIME Bright Brass	LIFETIME Satin Nickel	LIFETIME Aged Bronze	10-Year Finish Antique Brass	Spectrum™	Decorator™	Deluxe™	DuraGuard™	Superview™
Sierra	●	●	●	●	Standard*	■	■	■	
Venice	●	●	●	●	■	■	■	■	

- Interior handle finish matches exterior handle
- Available as an option

Mortise hardware requires a factory handleset prep and is not available on expander and double french doors.

* Windsor Lever is standard for Impact Shield regions

HARDWARE

With both elegance and durability, our hardware makes the right first impression.

EXTERIOR HANDLES

Windsor



Townsend



Contemporary Curve Lever



Push Button



Pull Handle



INTERIOR HANDLES



Hardware Finish Availability	Hardware Availability											
	Exterior Handle Styles	LIFETIME Bright Brass	LIFETIME Satin Nickel	LIFETIME Aged Bronze	1-Year Antique Brass	1-Year White	1-Year Black	Spectrum™	Decorator™	Deluxe™	DuraGuard™	Superview™
Windsor	●	●	●	●	●	●	■	Standard	■	■	■*	
Townsend	●	●	●	●	●	●	■	■	■	■	■*	
Contemporary Curve	●	●	●	●	●	●	■	■	Standard †	Standard †	■*	
Push Button (DH201 & DH202)						●	●		■	■	■*	
Push Button (DH192)							●				■	
Pull Handle						●	●					Standard

● Interior handle finish matches exterior handle
 ■ Available as an option
 † Standard color is black or white
 * Not available on Superview Model #899

ACCESSORIES



FREEDOM PET DOOR

Factory Installed - Available on Flush Doors Only

- Solid aluminum construction with locking panel
- Soft single flap for tight weather seal
- White mitered aluminum frame
- Also available on entry doors
- Also available on additional storm door styles (See Price List pg. 150)
- Only available with heavy-duty closer, Pet Door N/A with dual closers

Medium

8 $\frac{1}{8}$ " x 11 $\frac{3}{4}$ " opening for pets up to 40 lbs.

Large

10 $\frac{1}{8}$ " x 15 $\frac{3}{4}$ " opening for pets up to 100 lbs.

X-Large

13 $\frac{3}{4}$ " x 23 $\frac{3}{4}$ " opening for pets up to 220 lbs.



#279 Flush Half-Lite with Pet Door Option



#379 Self-Storing with Pet Door Option Includes full screen

Pg. 150 ProVia Door Price List

PIANO HINGE & BOTTOM EXPANDER



Brass-look piano hinge and bottom expander



Satin Nickel piano hinge and bottom expander



Aged Bronze piano hinge and bottom expander

Pg. 153 ProVia Door Price List

EASY-SET CLOSER

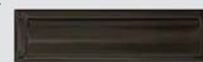


Just a slight push on the cap and it'll stay open. Push door open further and it releases. Color matched to door.

Pg. 153 ProVia Door Price List

MAGAZINE & MAIL SLOT

Lifetime Bright Brass, Lifetime Satin Nickel and Lifetime Aged Bronze magazine and mail slots are available on #074, #079, #279, #374 and #379.



#079 Self-Storing with mail slot option

Pg. 150 ProVia Door Price List



"To serve, by caring for details in ways others won't." It's not just our mission, but a way of letting our light shine every day at ProVia. We continually strive to put these words into action by providing unmatched quality and service. The P-icon symbolizes each employee's commitment to devoting the utmost care, pride and quality into each building product we manufacture...it's The Professional Way.



THE PROFESSIONAL WAY

Doors • Windows • Siding • Stone
www.proviaproducts.com

© 2015 ProVia
P-MK-00085-15 10/14 75M

Distributed by: