



TIGER
CRANES



2017

product catalog





WHY TIGER CRANES ARE BETTER

At Tiger Cranes, our # 1 priority is to build cranes with industry leading performance — not just on paper, but out in the real world, every time and everywhere. Each Tiger Crane is designed and thoroughly tested to provide full rated lifting capacity with a full cable drum and at a usable reach. Tiger Cranes hydraulic lift and extension cylinders are sized to not only hold full loads, but will boom them as well. Tiger Cranes have been time proven reliable from the coal mines of China, and the tar sands of Northern Canada, to the jungles of South America. Experience Tiger Strong — Unleash the Power on your next service vehicle.

All Tiger Cranes provide an extensive list of standard features including:

All Models

- Slewing ring bearing rotation assemblies
- Boom mounted winches for constant jib to block length and easier cable stowing
- Sealed Turrets to eliminate water entry into the crane tower – no drip pans
- Sealed electrical connections
- Low Profile Jib Head – no flip sheave necessary
- Extended Boom length labeled on booms
- Planetary winches for fast line speed and lifting efficiency
- Greater than 2,000 lbs meet ANSI/ASME B30.5 (2011), OSHA 1910.180

Electric Hydraulic Cranes

- Aluminum remote handles with purpose built umbilical cable
- 400° rotation with double reduction drive system
- Quick release load block hook

Hydraulic Cranes

- Wireless Proportional remote with 2 way RF communication and digital crane load display
- Remote Engine Start/Stop, Idle and Option control
- Quick Release load block hook
- 400° rotation with double reduction drive system
- Auto II Speed – automatically reduces maximum speed with load but retains full proportional resolution for unparalleled load control
- Sequenced Extension Cylinders (29 ft+) – booms will always extend and retract in the same sequence and speed for consistent operation and length determination
- Notification horn



TIGER
CRANES

2017 product catalog

CONTENTS

| MODEL | DESCRIPTION | PAGE |
|-------------------|---------------------------------------|-----------|
| 2060/85 | <i>2,000 lbs capacity, electric</i> | 4 |
| 2081E | <i>2,000 lbs capacity, electric</i> | 6 |
| 3215E | <i>3,200 lbs capacity, electric</i> | 8 |
| 4027E | <i>4,000 lbs capacity, electric</i> | 10 |
| 5031E | <i>5,000 lbs capacity, electric</i> | 12 |
| 6541E | <i>6,500 lbs capacity, electric</i> | 14 |
| 5031 | <i>5,000 lbs capacity, hydraulic</i> | 16 |
| 6541 | <i>6,500 lbs capacity, hydraulic</i> | 18 |
| 7543 | <i>7,500 lbs capacity, hydraulic</i> | 20 |
| 8051 | <i>8,600 lbs capacity, hydraulic</i> | 22 |
| 8059 | <i>8,600 lbs capacity, hydraulic</i> | 24 |
| 1061 | <i>11,000 lbs capacity, hydraulic</i> | 26 |
| 1069 | <i>11,000 lbs capacity, hydraulic</i> | 28 |
| 1479 | <i>14,000 lbs capacity, hydraulic</i> | 30 |
| Outriggers | | 32 |

2060/85

2,000 lbs capacity



2060 SPECIFICATIONS

- 2,000 lb Lift Capacity
- 5 ft of Manual Reach
- 6,000 ft-lb Crane Rating
- 6 ft Lifting Height
- 3-4-5 ft Manual Boom Extension
- 0 -21-45 Boom Elevation
- 23.5 FPM Winch Speed
- 280 lbs Operating Weight
- 12" x 12" Mounting Space Req'd
- 57" Storage Height
- 47" Storage Length, 20" with boom folded
- 8,500 lb min Chassis GVW Req'd

2085 SPECIFICATIONS

- 2,000 lb Lift Capacity
- 10.5 ft of Manual Reach
- 8,500 ft-lb Crane Rating
- 7 ft Lifting Height
- 6-7.5-9-10.5 ft Manual Boom Extension
- 0 -21-45 Boom Elevation
- 23.5 FPM Winch Speed
- 33 ft Remote Control
- 350 lbs Operating Weight
- 12" x 12" Mounting Space Req'd
- 33" Storage Height
- 81" Storage Length
- 8,500 lb min Chassis GVW Req'd
- Powder Coated Finish

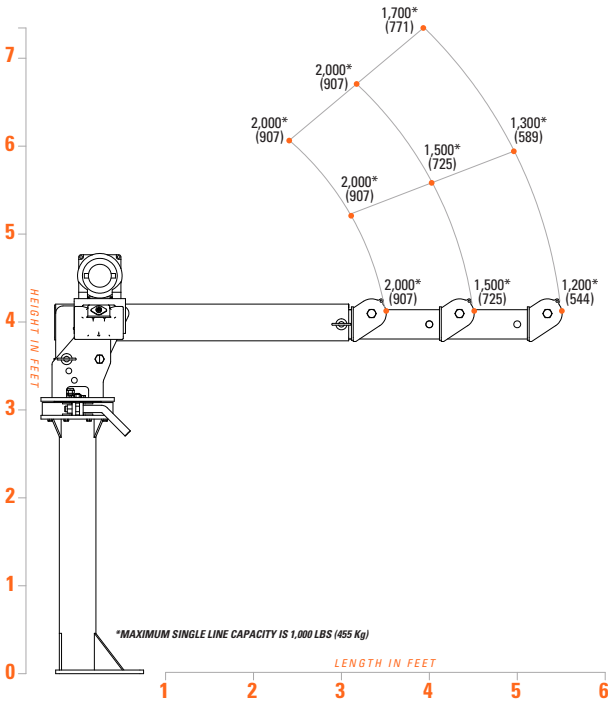


Slew bearing for easy rotation and manual band brake with 360° rotation.

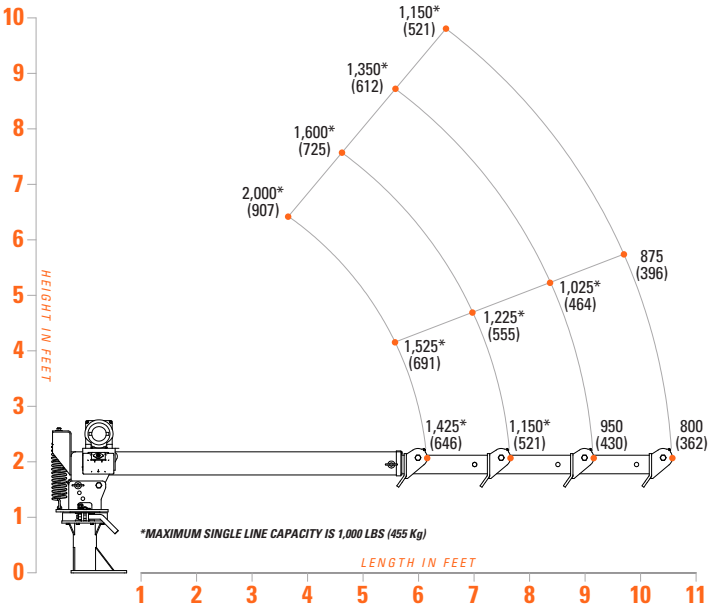


Detachable 12 ft Corded Remote on 12v DC planetary winch.

2060 LOAD CAPACITIES



2085 LOAD CAPACITIES



2081E

2,000 lbs capacity



STANDARD FEATURES

- 2,000 lb Lift Capacity
- 11 ft of Manual Reach
- 12 V DC Electric Planetary Winch
- 12 V DC Hydraulic Power Unit
- Wireless Controls
- -15° to 70° Power Elevation
- 400° Powered Rotation

OPTIONS

- Tall Base
- 25ft Tethered Remote Control
- Anti-two-Block

SPECIFICATIONS

- 8,500 ft-lb Crane Rating
- 11' ft Lifting Height
- 6.5-8-9.5-11 ft Manual Boom Extension
- 23.5 FPM Winch Speed
- 3/16" x 40 ft Cable
- 425 lbs Operating Weight
- 11" x 11" Mounting Space Req'd
- 26" Storage Height
- 91" Storage Length
- 10,200 lb min Chassis GVW Req'd
- Powder Coated Finish



Power rotation for precise load positioning.

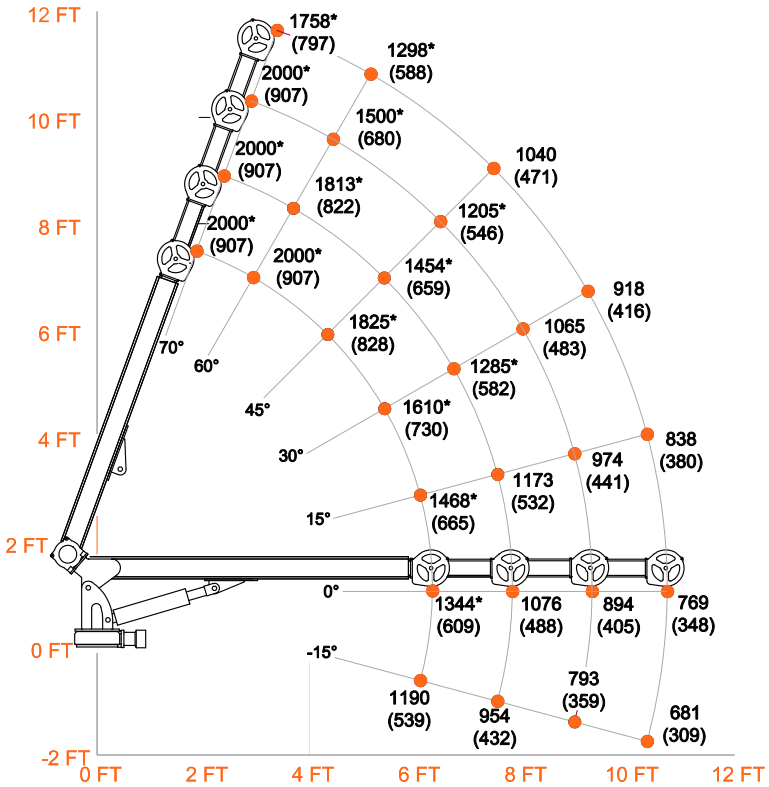


Power elevation for easy load handling.



Ergonomic wireless hand-held controls.

LOAD CAPACITIES



The 2081E power rotation and elevation allows you to easily position and handle loads with built-in Anti-Bounce Technology. The 2081E is designed around SRW chassis cab installations, bringing high value to an economical package.

3215E

3,200 lbs capacity



STANDARD FEATURES

- 3,200 lb Lift Capacity
- 15 ft of Hydraulic Reach
- 12 V DC Electric Planetary Winch
- 12 V DC Hydraulic Power Unit
- Full Power x 4 Functions
- 20 ft Corded Remote

OPTIONS

- Wireless Control
- Full Hydraulic Power

SPECIFICATIONS

- 11,000 ft-lb Crane Rating
- 12.75 ft Lifting Height
- 9 ft to 15 ft Reach with 1 Hydraulic Boom Extension
- 22 FPM Winch Speed
- 1/4" x 80 ft Cable
- 400° Rotation with Sealed Turret
- 745 lbs Operating Weight
- 14" x 14" Mounting Space Req'd
- 34" Storage Height
- 119" Storage Length
- 11,000 lb min Chassis GVW Req'd
- Powder Coated Finish
- Meets ANSI/ASME B30.5 (2011) and OSHA 1910.180



Double Reduction Full Power Rotation is very durable and trouble free.

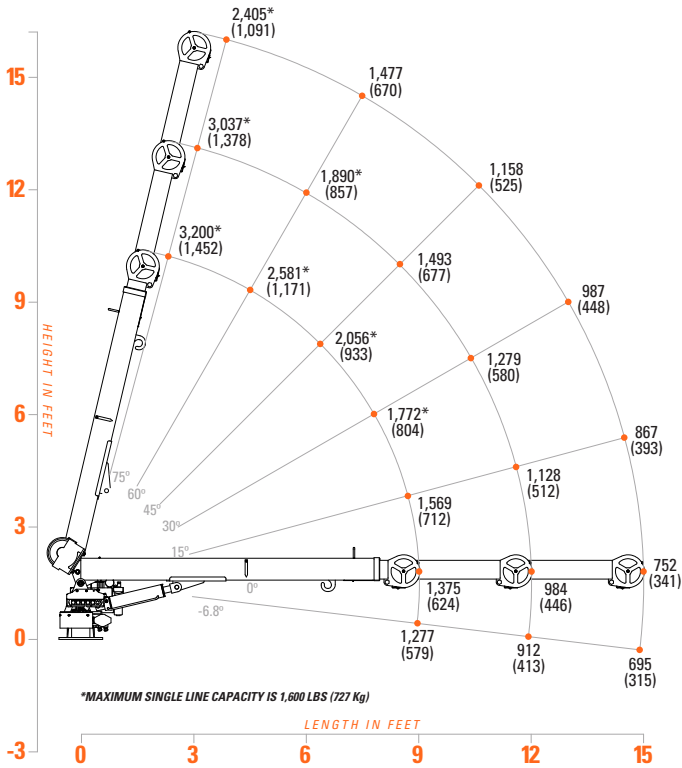


Full Hydraulic Extension and Nylatron Sheave provide quicker picks and less maintenance.



Optional Wireless Remote with Corded Tether adds work zone freedom to crane operation.

LOAD CAPACITIES



The 3215E is the smallest full function model from Tiger Cranes. Featuring full reach without manual extensions, sealed center rotation, powder coated finish and Anti-Bounce Technology, the 3215E has all the big crane features in a small package. Best suited for 11 ft crane bodies, the 3215E will be the work horse in your small crane fleet.

4027E

4,000 lbs capacity



STANDARD FEATURES

- 4,000 lb Lift Capacity
- 16.5 ft of Manual & Hydraulic Reach
- 12 V DC Electric Planetary Winch
- 12 V DC Hydraulic Power Unit
- Full Power x 4 Functions
- 20 ft Corded Remote

OPTIONS

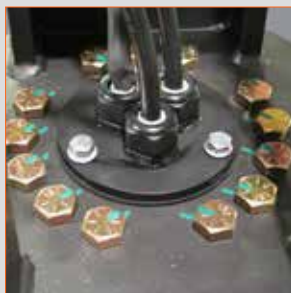
- Wireless Control
- Full Hydraulic Power

SPECIFICATIONS

- 18,000 ft-lb Crane Rating
- 14.5 ft Lifting Height
- 9 ft to 15 ft Reach with 1 Hydraulic & 1 Manual Boom Extension
- 22 FPM Winch Speed
- 1/4" x 80 ft Cable
- 400° Rotation with Sealed Turret
- 875 lbs Shipping Weight
- 14" x 14" Mounting Space Req'd
- 34" Storage Height
- 103.22" Storage Length
- 11,000 lb min Chassis GVW Req'd
- Powder Coated Finish
- Meets ANSI/ASME B30.5 (2011) and OSHA 1910.180



Double Reduction Full Power Rotation is very durable and trouble free.

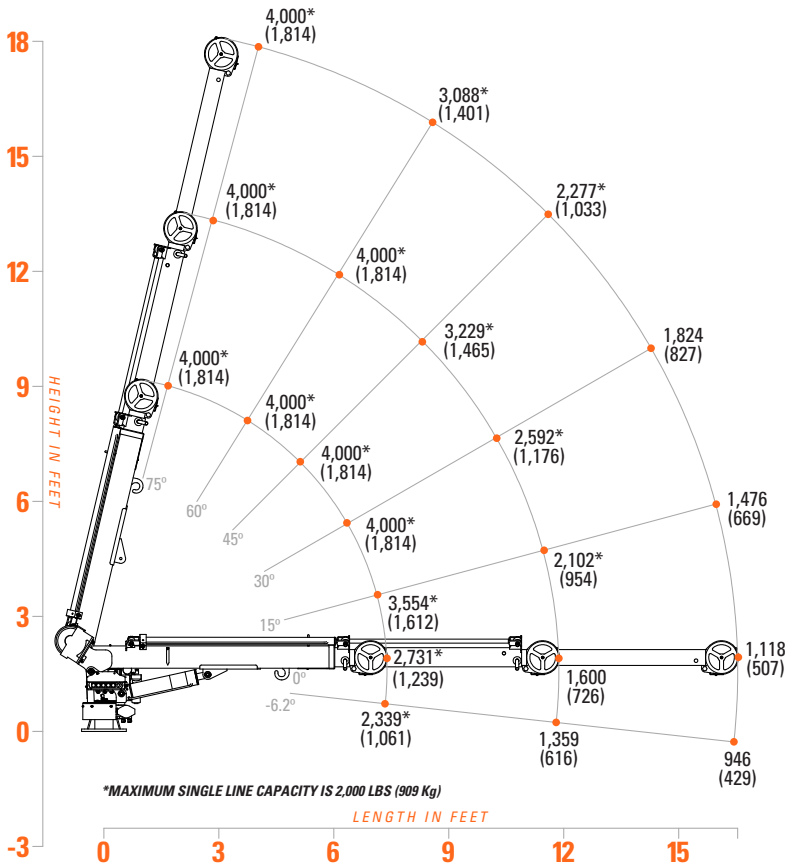


Sealed Center Rotation eliminates the need for a drip pan in the crane tower.



Optional Wireless Remote with Corded Tether adds work zone freedom to crane operation.

LOAD CAPACITIES



The 4027E is the most compact full function crane in the Tiger Crane line up. Featuring a manual boom extension, the 4027E was designed to work on 9 ft bodies with/without a raised front cabinet. The 4027E also features a powder coat finish, Anti-Bounce Technology and a very durable corded remote.

5031E 5031EP

5,000 lbs capacity



STANDARD FEATURES

- 5,000 lb Lift Capacity
- 21 ft of Hydraulic Reach
- Hex Boom with Low Profile Jib Head
- 12 V DC Electric Planetary Winch
- 12 V DC Hydraulic Power Unit
- Full Power x 4 Functions
- 25 ft Corded Remote

OPTIONS

- Wireless Control
- Wireless 3 Function Proportional Control
- LED Boom Tip Light

SPECIFICATIONS

- 30,000 ft-lb Crane Rating
- 18.5 ft Lifting Height
- 12 ft to 21 ft Reach with 1 Hydraulic Boom Extension
- 40 FPM Winch Speed
- 5/16" x 120 ft Cable
- 400° Rotation with Sealed Turret
- 1395 lbs Operating Weight
- 18" Ø Mounting Space Req'd
- 36" Storage Height
- 159" Storage Length
- 14,500 lb min Chassis GVW Req'd
- Paint & Powder Coated Finish
- Meets ANSI/ASME B30.5 (2011) and OSHA 1910.180



Optional Wireless Remote with Corded Tether adds work zone freedom to crane operation.

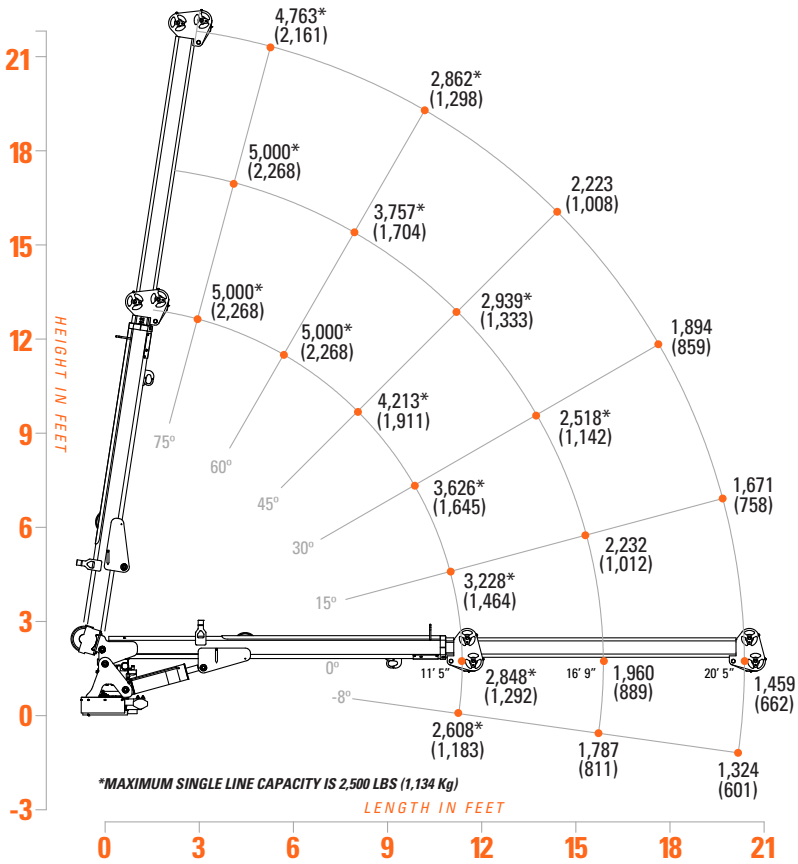


EP model adds wireless 3 function proportional control with digital load display, improving operational smoothness and load handling.



Standard Corded remote features a heavy duty aluminum housing and purpose built umbilical cord for maximum durability and longevity.

LOAD CAPACITIES



The 5031E and EP are the smallest models built with the hex boom design. Featuring 21 ft of full hydraulic reach with self aligning hex booms, dual 12 V DC motors for increased duty cycle and Anti-Bounce Technology these electric cranes offer all the big crane features in a weight saving package.

6541E 6541EP

6,500 lbs capacity



STANDARD FEATURES

- 6,500 lb Lift Capacity
- 21 ft of Hydraulic Reach
- Hex Boom with Low Profile Jib Head
- 12 V DC Electric Planetary Winch
- 12 V DC Hydraulic Power Unit
- Full Power x 4 Functions
- 25 ft Corded Remote

SPECIFICATIONS

- 40,000 ft-lb Crane Rating
- 18.5 ft Lifting Height
- 12 ft to 21 ft Reach with 1 Hydraulic Boom Extension
- 36 FPM Winch Speed
- 3/8" x 120 ft Cable
- 400° Rotation with Sealed Turret
- 1565 lbs Operating Weight
- 18" Ø Mounting Space Req'd
- 37" Storage Height
- 159" Storage Length
- 14,500 lb min Chassis GVW Req'd
- Paint & Powder Coated Finish
- Meets ANSI/ASME B30.5 (2011) and OSHA 1910.180

OPTIONS

- Wireless Control
- Wireless 3 Function Proportional Control
- LED Boom Tip Light



Optional Wireless Remote with Corded Tether adds work zone freedom to crane operation.

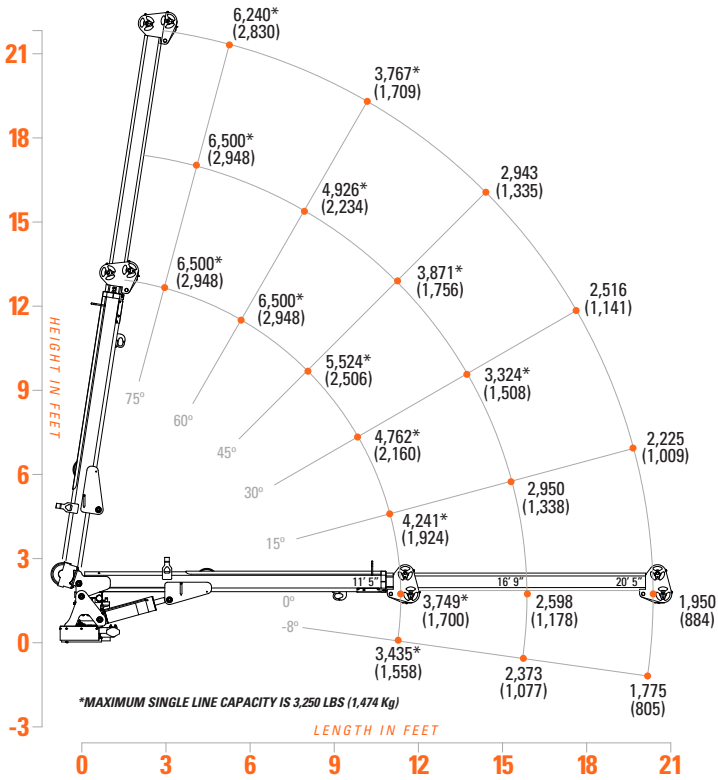


EP model adds wireless 3 function proportional control with digital load display, improving operational smoothness and load handling.



Standard Corded remote features a heavy duty aluminum housing and purpose built umbilical cord for maximum durability and longevity.

LOAD CAPACITIES



The 6541E and EP are the largest electric models available from Tiger Cranes. With industry leading capacity, these cranes will lift your heavy work without a PTO and pump. The 6541E & 6541EP feature 21 ft of full hydraulic reach with self aligning hex booms, dual 12 V DC motors for increased duty cycle and Anti Bounce Technology.



STANDARD FEATURES

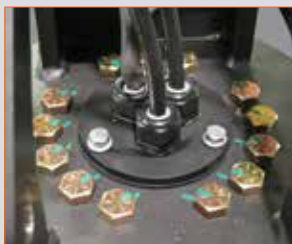
- 5,000 lb Lift Capacity
- 21 ft of Hydraulic Reach
- 4 Function Hydraulic Power
- Hex Boom with Low Profile Jib Head
- Boom Mounted Planetary Winch
- Wireless Proportional Control with Digital Crane Load Display
- Auto II Speed

OPTIONS

- LED Boom Tip Light

SPECIFICATIONS

- 30,000 ft-lb Crane Rating
- 18.5 ft Lifting Height
- 12 ft to 21 ft Reach with 1 Hydraulic Boom Extension
- 70 FPM Winch Speed
- 5/16" x 120 ft Cable
- 400° Rotation with Sealed Turret
- 1380 lbs Operating Weight
- 18" Ø Mounting Space Req'd
- 36" Storage Height
- 159" Storage Length
- 14,500 lb min Chassis GVW Req'd
- 8 GPM @ 2875 PSI – Open Center Hyd Req'd
- 33 ft Remote Tether Cord
- Meets ANSI/ASME B30.5 (2011), OSHA 1910.180



Sealed Center Rotation eliminates the need for a drip pan in the crane tower

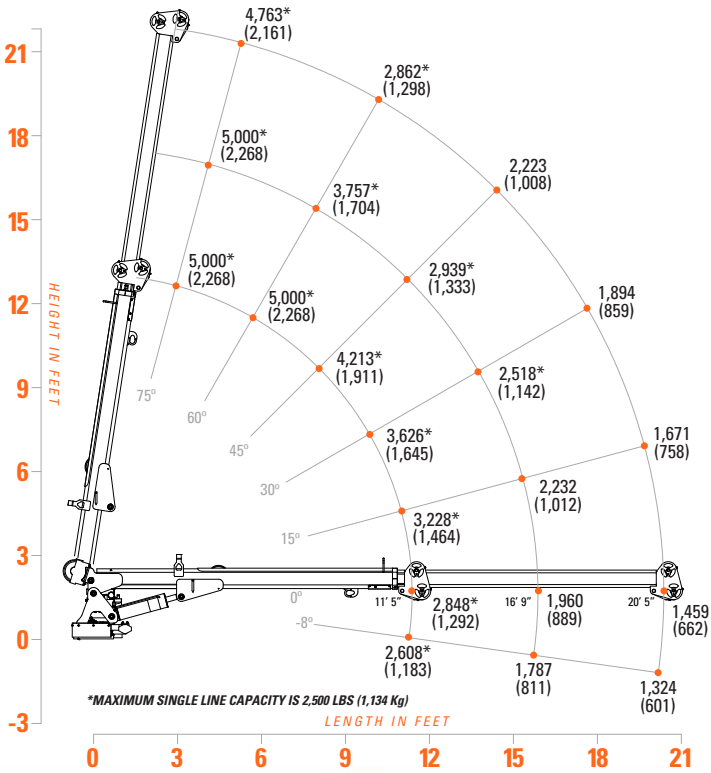


Planetary Winch provides the speed and power necessary for quick lifts and stowing



Boom Tip Light Option - Adds work area lighting directly below hook. Dual LED lights.

LOAD CAPACITIES



The 5031 is the smallest of the hydraulic cranes available from Tiger Cranes. Featuring self aligning hex boom design, all hydraulic extension, Auto II Speed, and a strong 30,000 ft-lb rating, the 5031 is a full feature hydraulic crane in a weight saving package.



STANDARD FEATURES

- 6,500 lb Lift Capacity
- 21 ft of Hydraulic Reach
- 4 Function Hydraulic Power
- Hex Boom with Low Profile Jib Head
- Boom Mounted Planetary Winch
- Wireless Proportional Control with Digital Crane Load Display
- Auto II Speed

OPTIONS

- LED Boom Tip Light

SPECIFICATIONS

- 40,000 ft-lb Crane Rating
- 18.5 ft Lifting Height
- 12 ft to 21 ft Reach with 1 Hydraulic Boom Extension
- 70 FPM Winch Speed
- 3/8" x 120 ft Cable
- 400° Rotation with Sealed Turret
- 1565 lbs Operating Weight
- 18" Ø Mounting Space Req'd
- 37" Storage Height
- 159" Storage Length
- 14,500 lb min Chassis GVW Req'd
- 8 GPM @ 2875 PSI – Open Center Hyd Req'd
- 33 ft Remote Tether Cord
- Meets ANSI/ASME B30.5 (2011), OSHA 1910.180



Auto II Speed automatically reduces the maximum working speed of all crane functions when a load is sensed.



33 ft Tether Cord (included) allows RF Free operation or alternate power.



Boom Tip Light Option adds work area lighting directly below hook. Dual LED lights with side to side adjustment.



STANDARD FEATURES

- 7,500 lb Lift Capacity
- 30.5 ft of Hydraulic Reach
- 4 Function Hydraulic Power
- Hex Boom with Low Profile Jib Head
- Boom Mounted Planetary Winch
- Wireless Proportional Remote with Digital Crane Load Display
- Auto II Speed Control

OPTIONS

- LED Boom Tip Light

SPECIFICATIONS

- 47,000 ft-lb Crane Rating
- 29 ft Lifting Height
- 12 ft to 30.5 ft Hydraulic Boom Extension
- 68 FPM Winch Speed
- 3/8" x 120 ft Cable
- 400° Rotation with Sealed Turret
- 1850 lbs Operating Weight
- 18" Ø Mounting Space Req'd
- 41.7" Storage Height
- 170" Storage Length
- 19,500 lb min Chassis GVW Req'd
- 8 GPM @ 2750 PSI – Open Center
- 33 ft Remote Tether Cord
- Meets ANSI/ASME B30.5(2011), OSHA 1910.180



Fixed Rotation - The 7543 features a fixed base that allows it to work well with deck covers without the need for a riser.

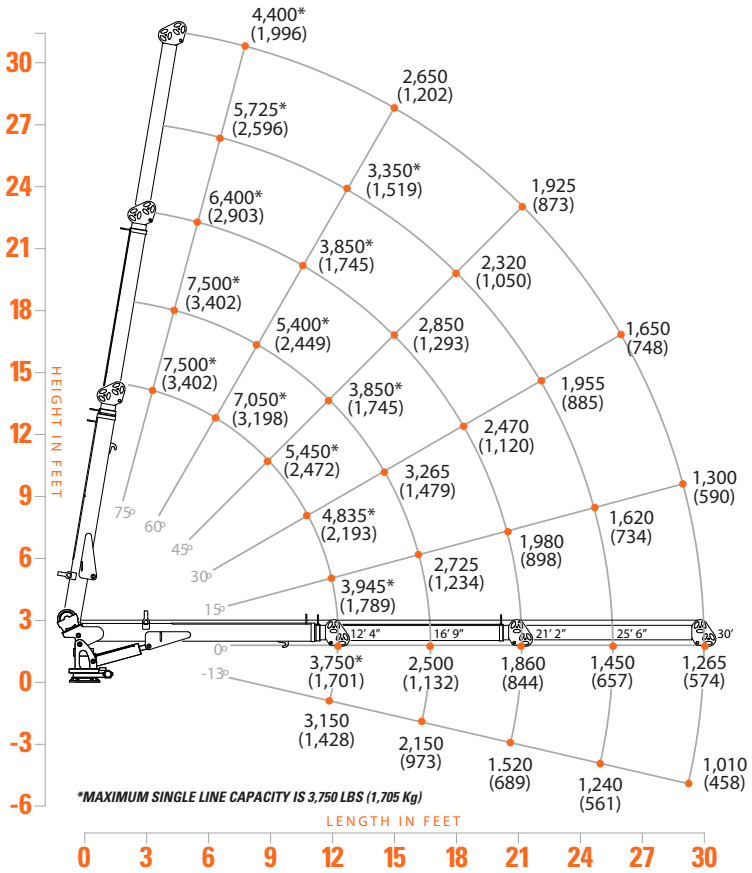


Exclusive sequenced two Stage Hydraulic Boom Extensions provide a total of 30.5 ft of reach.



Boom Tip Light Option - Adds work area lighting directly below hook. Dual LED lights with side to side adjustment.

LOAD CAPACITIES



The 7543 comes with the latest in crane innovations. Featuring 30.5 ft of hydraulic reach in a lightweight package, the 7543 is the model for operators that require extended crane reach in a medium duty truck package.



STANDARD FEATURES

- 8,600 lb Lift Capacity
- 21 ft of Hydraulic Reach
- 4 Function Hydraulic Power
- Hex Boom with Low Profile Jib Head
- Boom Mounted Planetary Winch
- Wireless Proportional Control with Digital Crane Load Display
- Auto II Speed

OPTIONS

- LED Boom Tip Light

SPECIFICATIONS

- 50,000 ft-lb Crane Rating
- 18.5 ft Lifting Height
- 12 ft to 21 ft Reach with 1 Hydraulic Boom Extension
- 58 FPM Winch Speed
- 3/8" x 120 ft Cable
- 400° Rotation with Sealed Turret
- 1,750 lbs Operating Weight
- 18" Ø Mounting Space Req'd
- 41" Storage Height
- 159" Storage Length
- 19,500 lb min Chassis GVW req'd
- 8 GPM @ 2,900 PSI Open Center Hyd Req'd
- 33 ft Remote Tether Cord
- Meets ANSI/ASME B30.5(2011), OSHA 1910.180



Auto II Speed automatically reduces the maximum working speed of all crane functions when a load is sensed.

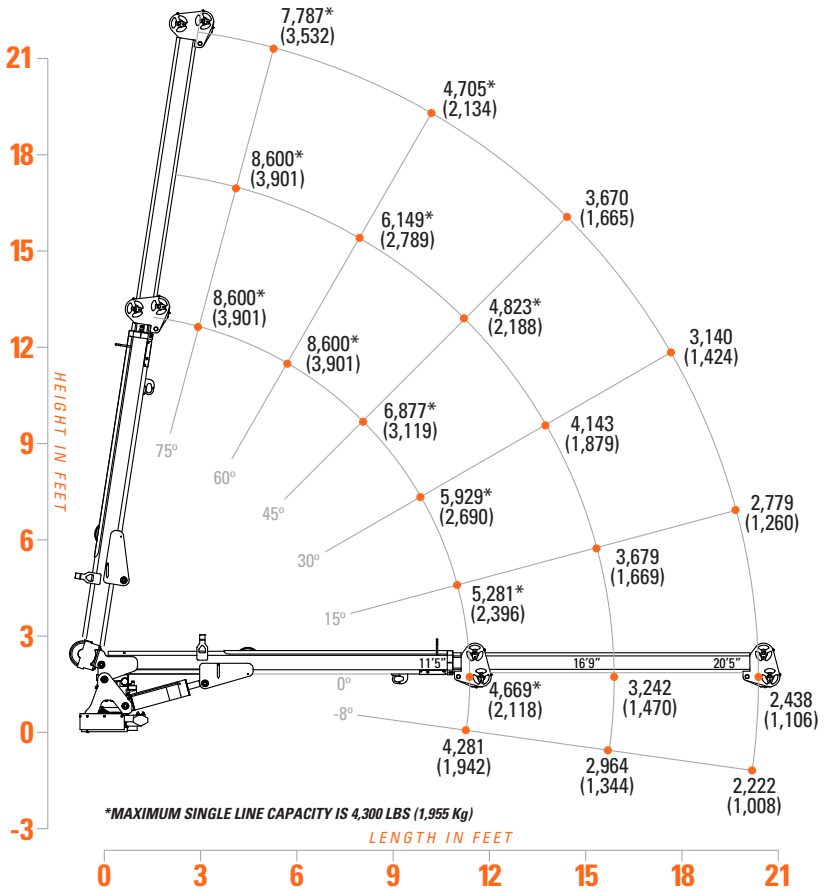


D03 Valve system provides reliable hydraulic control, indicator lights, integrated filtration and manual overrides.



Boom Tip Light Option adds work area lighting directly below hook. Dual LED lights with side to side adjustment.

LOAD CAPACITIES



The 8051 is largest crane available to be mounted on a 19.5k GVW chassis. With 8,600 lbs of gross lifting capacity, 21 ft of full hydraulic reach, Auto II Speed and high speed planetary winch, the 8051 will be your jobsite workhorse.



STANDARD FEATURES

- 8,600 lb Lift Capacity @ 5.8 ft
- 29 ft of Hydraulic Reach
- 4 Function Hydraulic Power
- Hex Boom with Low Profile Jib Head
- Boom Mounted Planetary Winch
- Wireless Proportional Control with Digital Crane Load Display
- Auto II Speed

OPTIONS

- LED Boom Tip Light

SPECIFICATIONS

- 60,000 ft-lb Crane Rating
- 27 ft Lifting Height
- 12 ft to 29 ft Reach with 2 Hydraulic Boom Extensions
- 56 FPM Winch Speed
- 3/8" x 120 ft Cable
- 400° Rotation with Sealed Turret
- 2,500 lbs Operating Weight
- 18" Ø Mounting Space Req'd
- 41" Storage Height
- 162" Storage Length
- 25,000 lb min Chassis GVW Req'd
- 8 GPM @ 2,950 PSI Open Center Hyd Req'd
- 33 ft Remote Tether Cord
- Meets ANSI/ASME B30.5(2011), OSHA 1910.180



Exclusive sequenced two Stage Hydraulic Boom Extensions provide a total of 29 ft of reach.

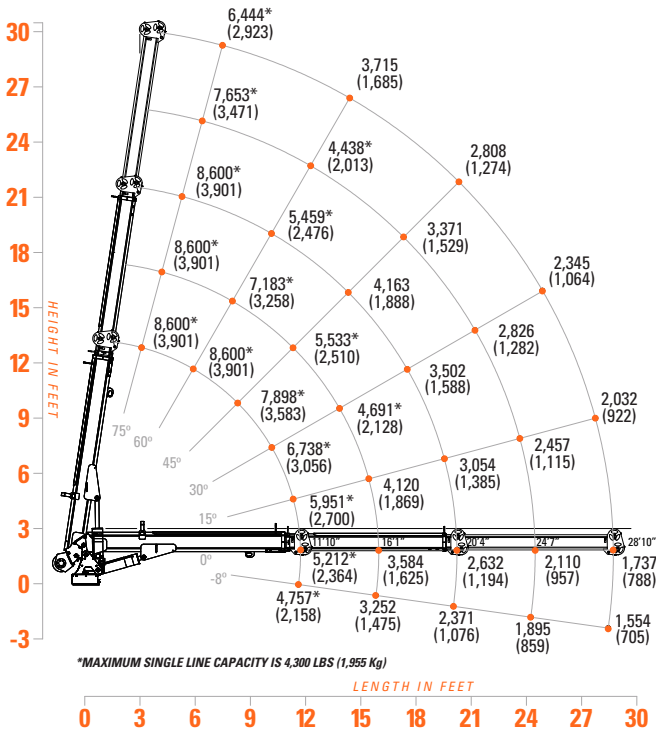


Planetary Winch provides the speed and power necessary for quick lifts and stowing.



Sealed Center Rotation eliminates the need for a drip pan in the crane tower.

LOAD CAPACITIES



The 8059 is perfect fit for those who need a long reach crane on a 26k GVW chassis. Featuring 8,600 lbs of lifting capacity, 29 ft of reach and a wireless remote with digital crane load display, the 8059 will allow you to work confidently in long reach applications.



STANDARD FEATURES

- 11,000 lb Lift Capacity
- 21 ft of Hydraulic Reach
- 4 Function Hydraulic Power
- Hex Boom with Low Profile Jib Head
- Boom Mounted Planetary Winch
- Wireless Proportional Control with Digital Crane Load Display
- Auto II Speed

OPTIONS

- LED Boom Tip Light

SPECIFICATIONS

- 66,000 ft-lb Crane Rating
- 18.5 ft Lifting Height
- 12 ft to 21 ft Reach with 1 Hydraulic Boom Extension
- 60 FPM Winch Speed
- 7/16" x 120 ft Cable
- 400° Rotation with Sealed Turret
- 2070 lbs Operating Weight
- 21" Ø Mounting Space Req'd
- 42" Storage Height
- 158" Storage Length
- 25,500 lb min Chassis GVW Req'd
- 10 GPM @ 2775 PSI – Open Center Hyd Req'd
- 33 ft Remote Tether Cord
- Meets ANSI/ASME B30.5(2011), OSHA 1910.180



Auto II Speed automatically reduces the maximum working speed of all crane functions when a load is sensed.

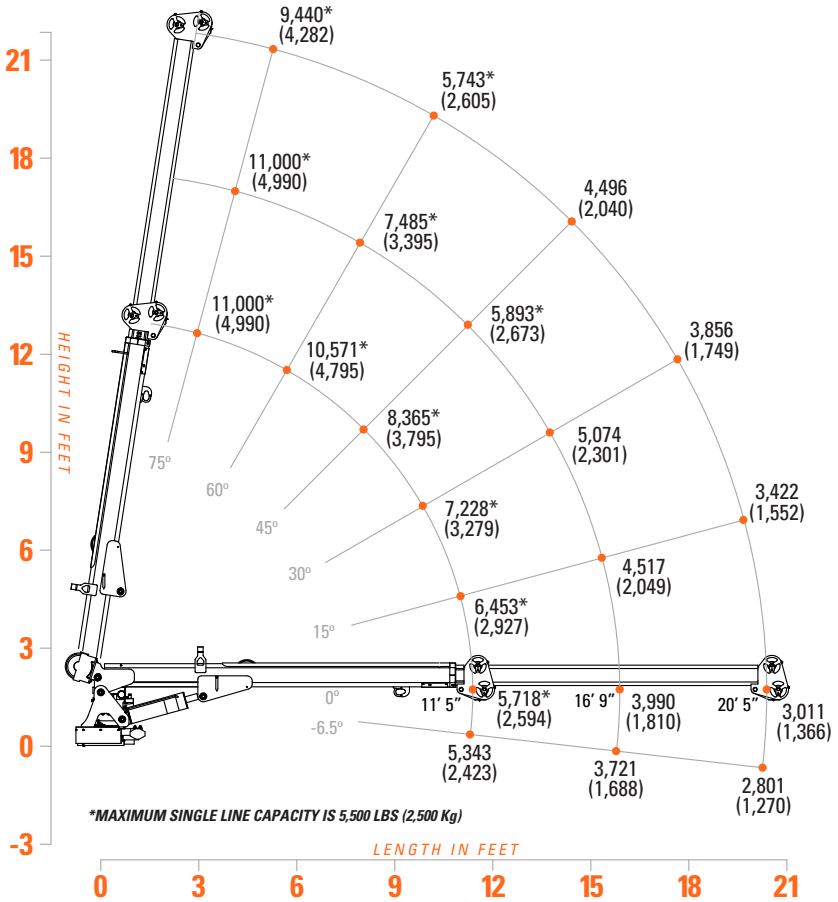


33 ft Tether Cord (included) allows RF Free operation or alternate power.



Boom Tip Light Option adds work area lighting directly below hook. Dual LED lights with side to side adjustment.

LOAD CAPACITIES



The 1061 Tiger Crane is the crane for the heavy lift user that needs big capacity in a compact package. Featuring 11,000 lbs of gross lift, 21 ft of power reach, and the ability to mount on an 11 ft crane body, the 1061 is the crane for heavy duty versatility.



STANDARD FEATURES

- 11,000 lb Lift Capacity
- 29 ft of Hydraulic Reach
- 4 Function Hydraulic Power
- Hex Boom with Low Profile Jib Head
- Boom Mounted Planetary Winch
- Wireless Proportional Control with Digital Crane Load Display
- Auto II Speed

OPTIONS

- LED Boom Tip Light

SPECIFICATIONS

- 75,000 ft-lb Crane Rating
- 26.5 ft Lifting Height
- 12 ft to 29 ft Reach with 2 Hydraulic Boom Extensions
- 60 FPM Winch Speed
- 7/16" x 120 ft Cable
- 400° Rotation with Sealed Turret
- 2,500 lbs Operating Weight
- 21" Ø Mounting Space Req'd
- 44" Storage Height
- 162" Storage Length
- 25,500 lb min Chassis GVW Req'd
- 10 GPM @ 3,000 PSI Open Center Hyd Req'd
- 33 ft Remote Tether Cord
- Meets ANSI/ASME B30.5(2011), OSHA 1910.180



Wireless proportional crane & chassis control with digital crane load display.

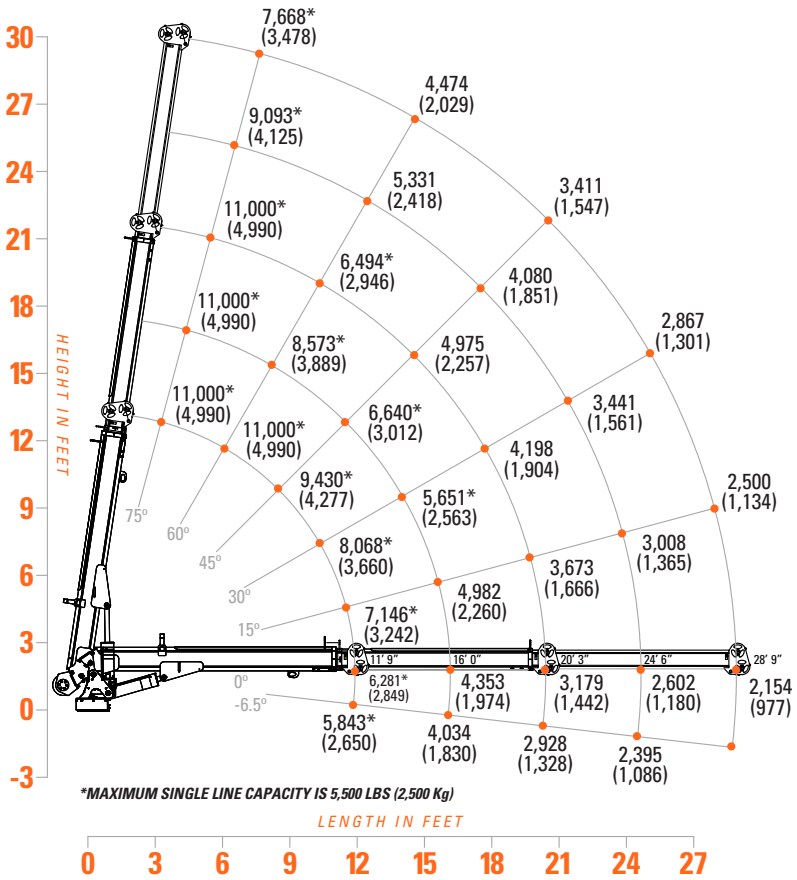


Planetary Winch provides the speed and power necessary for quick lifts and stowing.



Two Stage Hydraulic Boom Extensions provide a total of 29 ft of reach. Exclusive sequenced extension cylinders provide consistent 1st and 2nd stage operation.

LOAD CAPACITIES



The 1069 Tiger Crane features 29 ft of hydraulic reach and 11,000 lbs of lifting capacity, all in a crane that can be mounted on a 25.5k GVW or larger chassis.

1479

14,000 lbs capacity



STANDARD FEATURES

- 14,000 lb Lift Capacity
- 29 ft of Hydraulic Reach
- 4 Function Hydraulic Power
- Hex Boom with Low Profile Jib Head
- Boom Mounted Planetary Winch
- Wireless Proportional Control with Digital Crane Load Display
- Auto II Speed

OPTIONS

- LED Boom Tip Light

SPECIFICATIONS

- 90,000 ft-lb Crane Rating
- 26.5 ft Lifting Height
- 12 ft to 29 ft Reach with 2 Hydraulic Boom Extensions
- 45 FPM Winch Speed
- 1/2" x 120 ft Cable
- 400° Rotation with Sealed Turret
- 3,140 lbs Operating Weight
- 21" Ø Mounting Space Req'd
- 46" Storage Height
- 164" Storage Length
- 33,000 lb min x 120 CA Chassis GVW Req'd
- 10 GPM @ 3000 PSI Open Center Hyd Req'd
- 33 ft Remote Tether Cord
- Meets ANSI/ASME B30.5(2011), OSHA 1910.180



Auto II Speed automatically reduces the maximum working speed of all crane functions when a load is sensed.

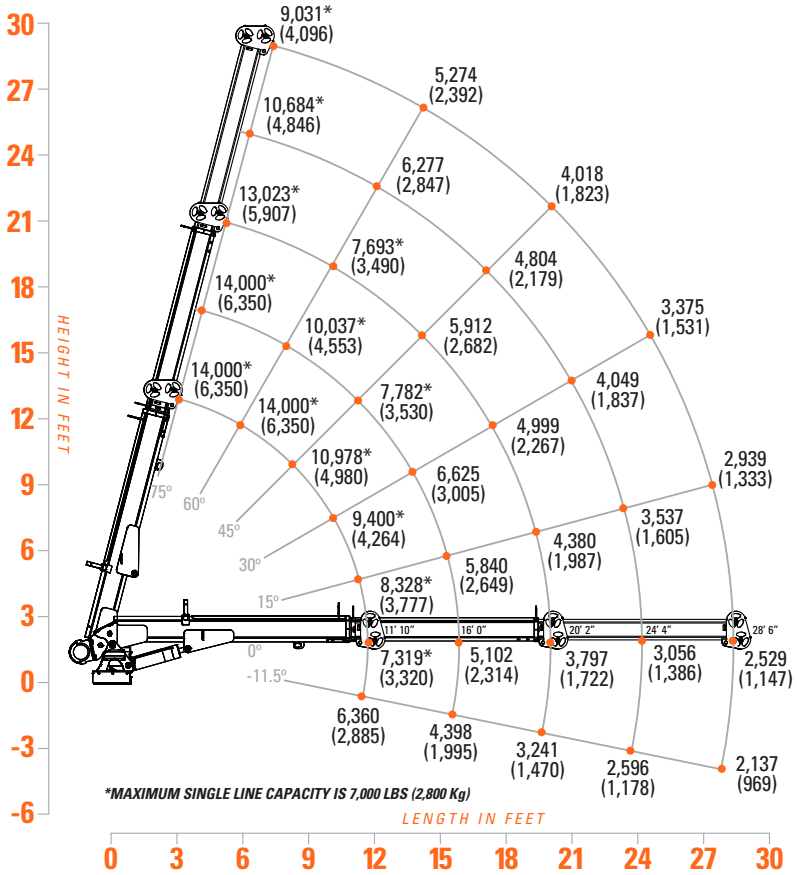


D03 Valve system provides reliable hydraulic control, indicator lights, integrated filtration and manual overrides.



Boom Tip Light Option adds work area lighting directly below hook. Dual LED lights with side to side adjustment.

LOAD CAPACITIES



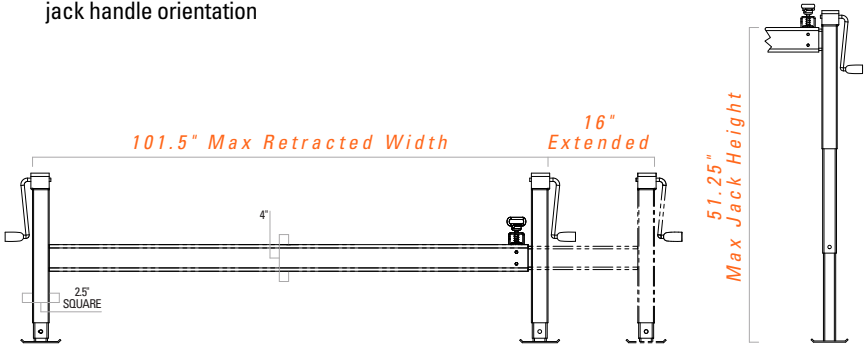
The 1479 crane is the largest Tiger Crane available. Designed for maximum loads and reach, the 1479 has 14,000 lbs of lift capacity and a 90,000 ft-lb crane rating. Whether you need big capacity or long reach, the 1479 has it all.

OUTRIGGERS

11K OUTRIGGER

SPECIFICATIONS

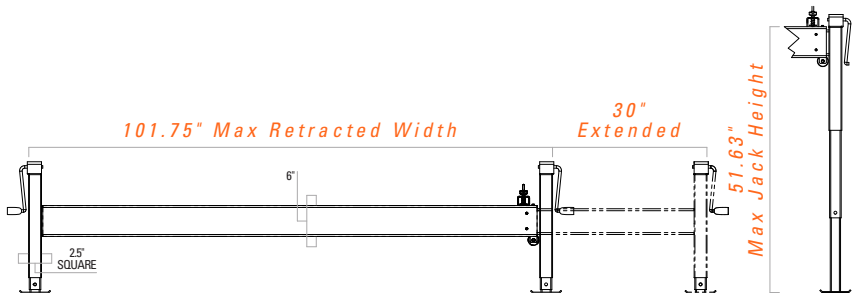
- For use with 11,000 ft-lb crane
- 16" extension
- 8,000 lb sidewind jacks with drop legs
- Stationary arm tube is to be cut to length and welded to the jacks by the customer
- Outrigger can have any retracted length up to 101.5", jack height or jack handle orientation



20K OUTRIGGER

SPECIFICATIONS

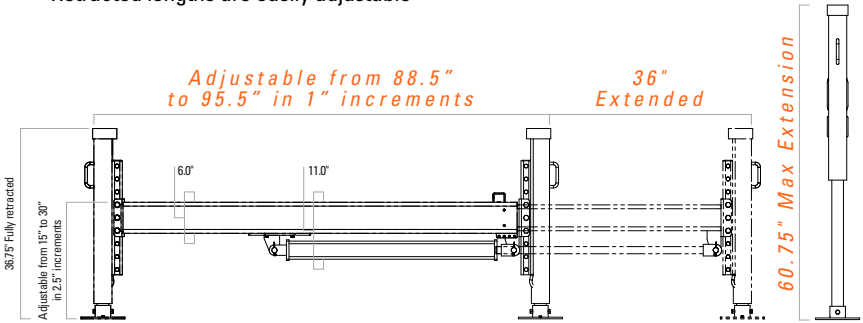
- For use with a 20,000 ft-lb crane
- 30" extension
- 8,000 lb sidewind jacks with drop legs
- Equipped with a roller for easy extension
- Stationary arm tube is to be cut to length and welded to the jacks by the customer
- Outrigger can have any retracted length up to 101.75", jack height or jack handle orientation



SPECIFICATIONS

30K OUTRIGGER

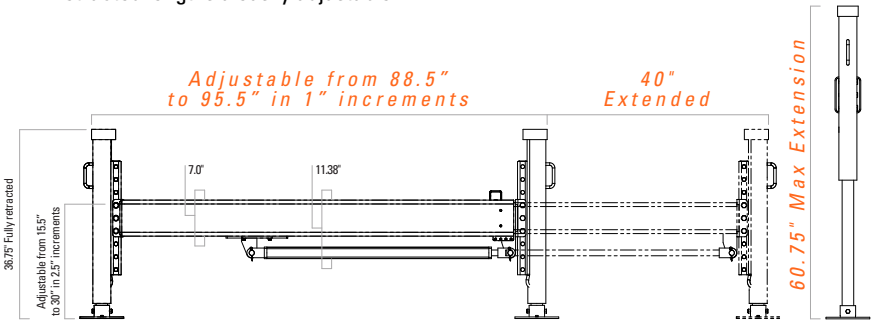
- For use with a 30,000 ft-lb crane
- 36" extension
- Available in hydraulic out/ hydraulic down, manual out/ hydraulic down, and manual out/ manual down configurations
- 12,000 lb sidewind jacks with drop legs on manual down version
- Manual out version is equipped with a roller for easy extension
- Retracted lengths are easily adjustable



SPECIFICATIONS

40K OUTRIGGER

- For use with a 40,000 ft-lb crane
- 40" extension
- Available in hydraulic out/ hydraulic down, manual out/ hydraulic down, and manual out/ manual down configurations
- 12,000 lb sidewind jacks with drop legs on manual down version
- Manual out version is equipped with a roller for easy extension
- Retracted lengths are easily adjustable

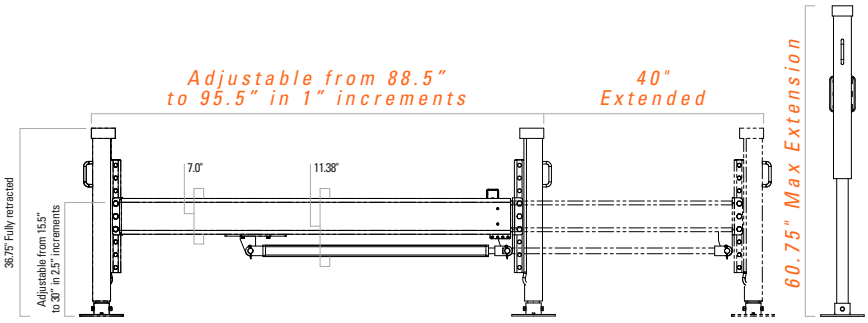


OUTRIGGERS

50K OUTRIGGER

SPECIFICATIONS

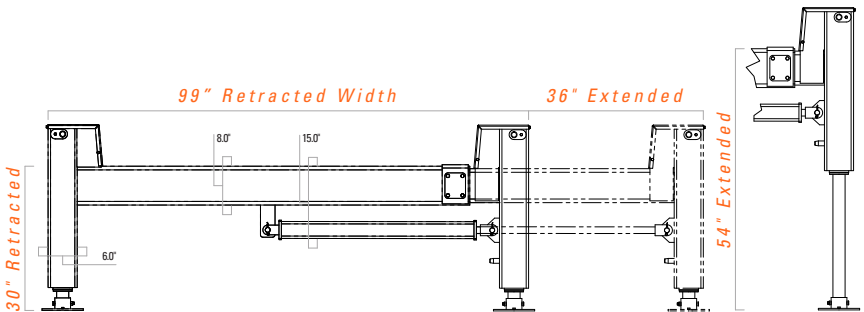
- For use with a 50,000 ft-lb crane
- 40" extension
- Available in hydraulic out/ hydraulic down and manual out/ hydraulic down configurations
- 12,000 lb sidewind jacks with drop legs on manual down version
- Manual out version is equipped with a roller for easy extension
- Retracted lengths are easily adjustable



90K OUTRIGGER

SPECIFICATIONS

- For use with a 90,000 ft-lb crane
- 36" extension
- Hydraulic out / hydraulic down
- Internally routed hoses





877 1st Ave NW | Sioux Center, Iowa 51250 | 800.225.8789

fax 712-722-3706 | sales@tigercranes.com

 @STI_TigerCranes  Service Trucks International

ABOUT TIGER CRANES

Tiger Cranes, a wholly owned division of Sioux Automation Center Inc, has been building high performance telescoping service cranes since 1990. Focused on providing cranes that offer cutting edge features and reliability, Tiger Cranes strives to meet the needs of operators and retailers of heavy equipment used in mining, road construction, site prep and land clearing, agricultural equipment, the oil & gas industry and local, state and federal government.

Tiger Cranes are also standard equipment on Eagle Pro Crane Bodies manufactured by Service Trucks International. Based in Sioux Center, IA, Tiger Cranes markets equipment through both direct, distributor and OEM channels in the United States, Canada, Mexico, as well as international markets.

TIGER STRONG. UNLEASH THE POWER.



877 1st Ave NW | Sioux Center, Iowa 51250 | 800.225.8789

fax 712-722-3706 | sales@tigercranes.com

 [@STL_TigerCranes](https://twitter.com/STL_TigerCranes)  [Service Trucks International](https://www.facebook.com/ServiceTrucksInternational)