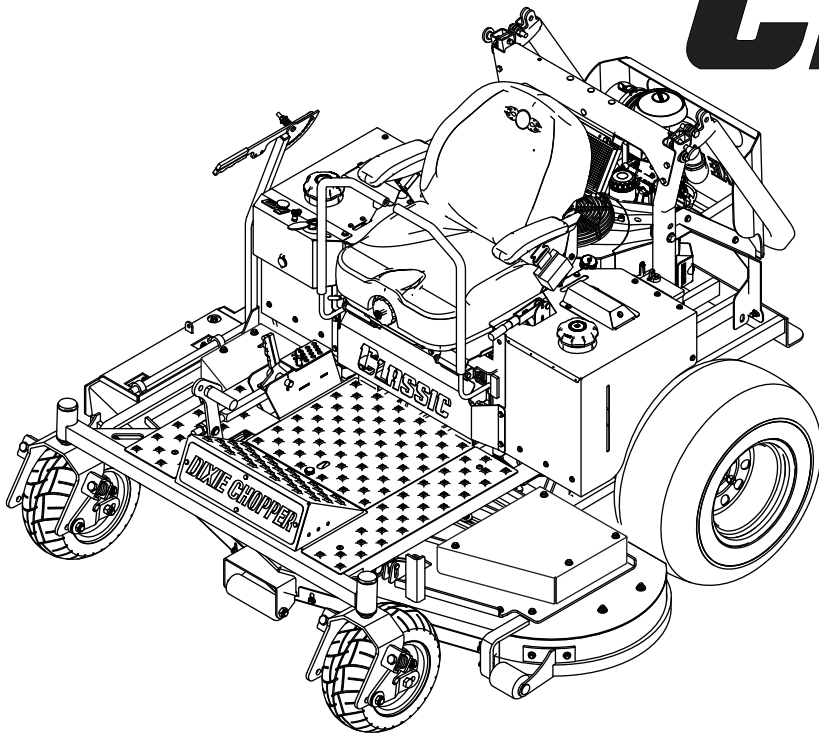




## 2018 Classic Parts Manual

# ***CLASSIC***



**2750KW**  
**2760KW**  
**3160KW**  
**3160KOE**  
**3572KW**  
**3572KOE**  
**3672BR**

# About This Manual

Congratulations on the purchase of your new Dixie Chopper mower! When operated and maintained as directed, Dixie Chopper is confident that this mower will provide you with years of excellent performance, durability, and trouble free service.

Should you ever have any questions regarding the operation, maintenance, or safety of your mower, please contact your authorized Dixie Chopper dealer who has been specially trained in the operation and service of Dixie Chopper mowers.

Please take time to record the information about your new Dixie Chopper mower in the space below for future reference. Such information may be needed when you contact your authorized Dixie Chopper dealer with questions.

Your Dixie Chopper dealer is the best source for genuine parts and accessories to keep your mower running and cutting its best. The replacement parts found within this manual are available through all authorized dealers.

Illustrations and photographs used in this manual were current as of date of print. Despite this effort, production changes may have occurred after the time of the purchase of your Dixie Chopper; therefore, your unit may vary slightly from what is depicted in this manual.

All information, illustrations, and specifications contained in this manual were in effect at the time of publication. Dixie Chopper reserves the right to change, modify, and/or discontinue specifications and/or design without notice. If there is a change that has been made to your mower which is not shown or reflected in this manual, please see your authorized Dixie Chopper dealer before operating and/or servicing equipment.

## Authorized Dealer:

Model #: \_\_\_\_\_ Engine Model #: \_\_\_\_\_

Serial #: \_\_\_\_\_ Engine Serial #: \_\_\_\_\_

Date purchased: \_\_\_\_\_

# Table of Contents

<i>Topic</i>	<i>Page#</i>
Quick Reference Parts .....	1-3
Decals.....	4-5
Belt Routing.....	6
Frame .....	7-8
50" and 60" Deck Lift Pivot .....	9-10
72" Deck Lift Pivot .....	11-12
Deck Lift Pedal and Deck Linkage.....	13-14
Transmission Frame .....	15-16
Steering Controls.....	17-18
Transmission Pumps (50/60" Decks).....	19-20
Transmission Pumps (72" Decks).....	21-22
Hydraulic Routing (50/60" Deck) .....	23-24
Hydraulic Routing (72" Deck) .....	25-26
50" Deck .....	27-28
60" Deck .....	29-30
72" Deck .....	31-32
Deck Spindles.....	33-34
OCDC .....	35-36
Kawasaki Engine .....	37-38
Kohler EFI Engine .....	39-40
36 HP Briggs Engine .....	41-42
Clutch Stack .....	43-44
50/60 in. Fenders.....	45-46
72 in. and HP Model Fenders.....	47-48
Seat Pan.....	49-50
Roll Bar.....	51-52
Fuel System - 49 State .....	53
Fuel System -CA Models .....	54
Wiring Diagram (Main).....	55
Engine Adapter Harnesses.....	56
Electrical Schematic (Kawasaki) .....	57
Electrical Schematic (Kohler) .....	58
Electrical Schematic (Briggs).....	59
General Bolt Torque Specifications .....	60
Index.....	61-62

# Quick Reference Parts

Classic with 27HP, 31HP and 35HP Kawasaki Engine	2750KW	2760KW	3160HP	3572HP
Spark Plug	902453		902033	
Air Filter Primary	902497			
Air Filter Secondary	902498			
Fuel Filter	902657			
Oil Filter	902494			
Engine Oil	902873			
Drive System Oil	902873			
Drive System Filter	68140 (2 Required)			
Drive System Belt	200919			
LH Pump	200013		200313	
RH Pump	200012		200312	
LH Wheel Motor	200637		200771	
RH Wheel Motor	200638		200772	
Blade Standard X (Factory Equipped)	30227-50X	30227-60X		30227-72X
Blade Twist	30227-50T	30227-60T		30227-72T
Spindle Drive Belt	2006B112R	2006B130R		2006B160R
Engine to Deck Belt	2010B85W	2010B88W		2010B89W
3-3/4" Anti-Scalp Roller	67240			
7-1/2" Anti-Scalp Roller	30240-0			
O.C.D.C. Complete	68122-50	300350		72122
Complete Spindle Assembly (Short)	300441			
Complete Spindle Assembly (Long)	300442			
Seat	401962		402006	
Fuel Cap	400885			
Throttle Cable Assembly	401590			
Choke Cable Assembly	600072			
Front Tire Assembly	Tire - 400234 Rim - 401402 Bearing Kit - 900339 Assembly 400439			
Rear Tire Assembly	Tire - 400744 Rim - 400745 Assembly 400743		Tire - 400747 Rim - 401212 Assembly 401745	

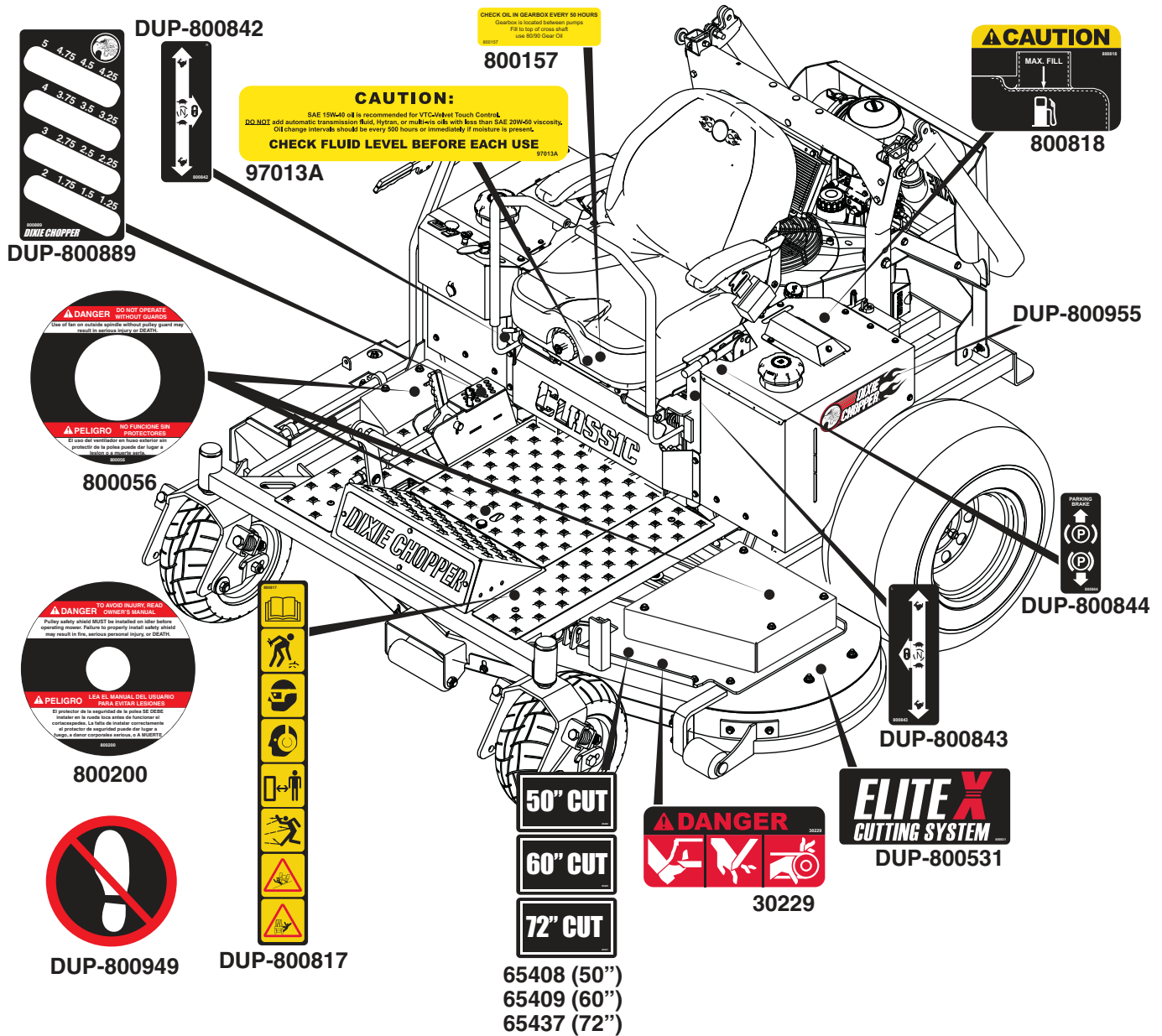
# Quick Reference Parts

Classic with 31HP or 35HP Kohler EFI Engine	3160EFI	3160EFI-CA	3572EFI	3572EFI-CA
Spark Plug	902521			
Pre-Filter (Air)	901392			
Air Filter Primary	901395			
Fuel Filter	901246			
Oil Filter	901513			
Engine Oil	902873			
Drive System Oil	902873			
Drive System Filter	68140		200598	
Drive System Belt	200919			
LH Pump	200013		200313	
RH Pump	200012		200312	
LH Wheel Motor	200637		200771	
RH Wheel Motor	200638		200772	
Blade Standard X (Factory Equipped)	30227-60X		30227-72X	
Blade Twist	30227-60T		30227-72T	
Spindle Drive Belt	2006B130R		2006B160R	
Engine to Deck Belt	2010B88W		2010B89W	
3-3/4" Anti-Scalp Roller	67240			
7-1/2" Anti-Scalp Roller	30240-0			
O.C.D.C.	300350		72122	
Complete Spindle Assembly (Short)	300441			
Complete Spindle Assembly (Long)	300442			
Seat	401962		402006	
Fuel Cap	400885			
Charcoal Canister	N/A	4221120	N/A	4221120
Throttle Cable Assembly	401590			
Choke Cable Assembly	N/A			
Front Tire Assembly	Tire - 400234 Rim - 401402 Bearing Kit - 900339 Assembly 400439			
Rear Tire Assembly	Tire - 400744 Rim - 400745 Assembly 400743	Tire - 400747 Rim - 401212 Assembly 401745		

# Quick Reference Parts

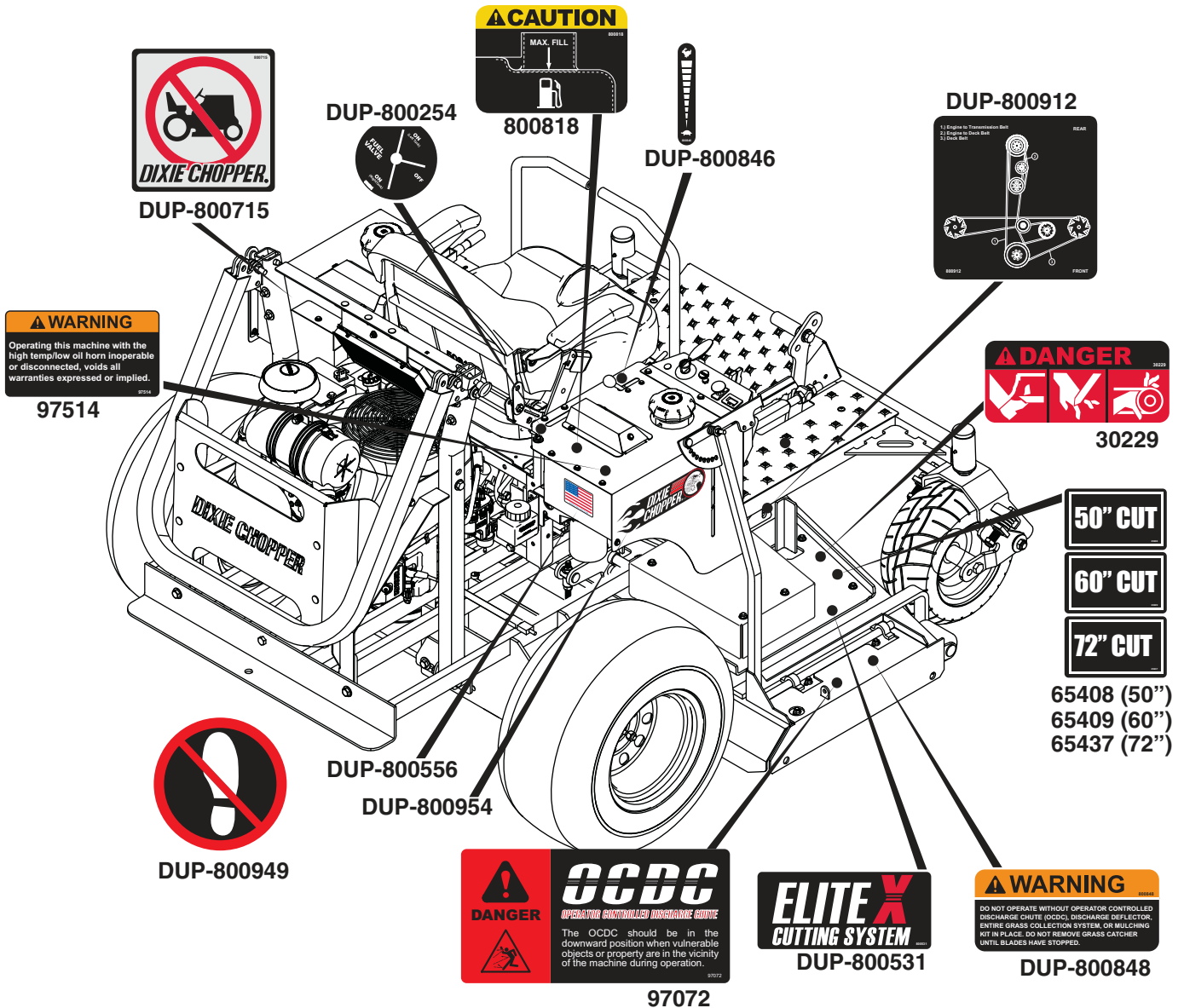
Classic with 36HP Briggs & Stratton Engine	3572EFI
Spark Plug	900735
Pre-Filter (Air)	902954
Air Filter Primary	902955
Fuel Filter	902893
Oil Filter	902927
Engine Oil	902873
Drive System Oil	902873
Drive System Filter	200598
Drive System Belt	200919
LH Pump	200313
RH Pump	200312
LH Wheel Motor	200771
RH Wheel Motor	200772
Blade Standard X (Factory Equipped)	30227-72X
Blade Twist	30227-72T
Spindle Drive Belt	2006B160R
Engine to Deck Belt	2010B89W
3-3/4" Anti-Scalp Roller	67240
7-1/2" Anti-Scalp Roller	30240-0
O.C.D.C.	72122
Complete Spindle Assembly (Short)	300441
Complete Spindle Assembly (Long)	300442
Seat	402006
Fuel Cap	400885
Throttle Cable Assembly	401590
Choke Cable Assembly	600072
Front Tire Assembly	Tire - 400234 Rim - 401402 Bearing Kit - 900339 Assembly 400439
Rear Tire Assembly	Tire - 400747 Rim - 401212 Assembly 401745

# Decals



Part No.	Description
800925	Decal Kit
65408	Decal, 50" Cut
65409	Decal, 60" Cut
65437	Decal, 72" Cut

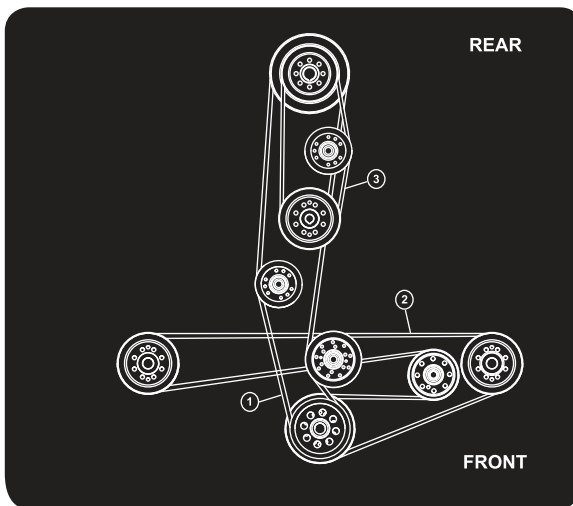
# Decals



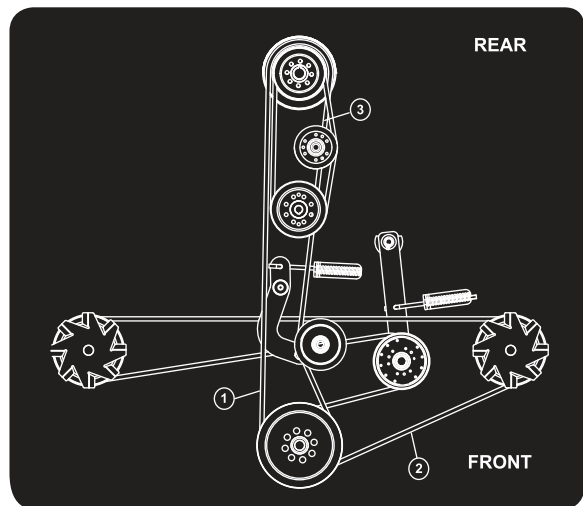


# Belt Routing

50 inch deck

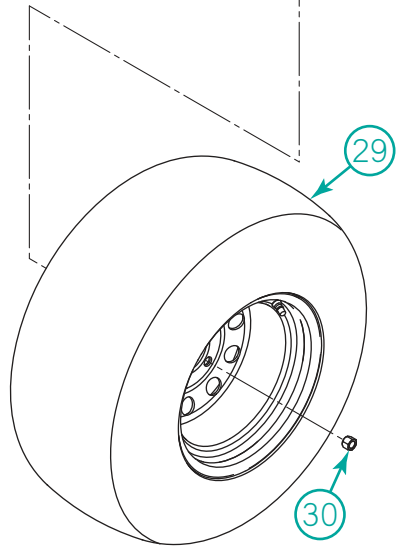
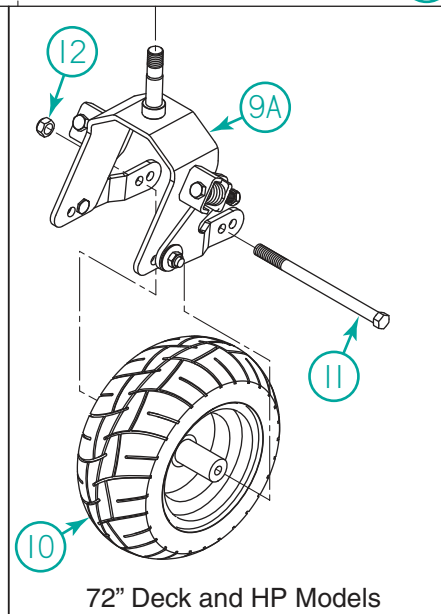
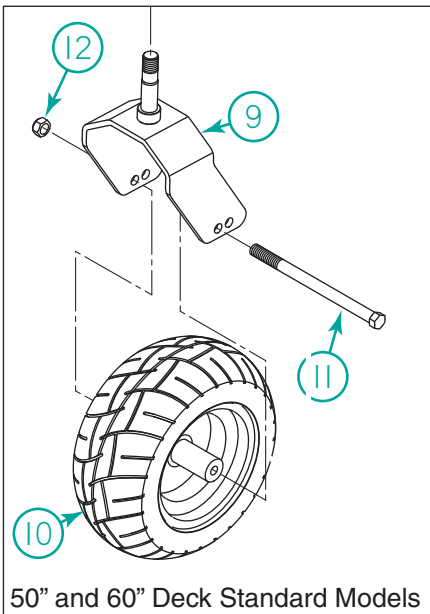
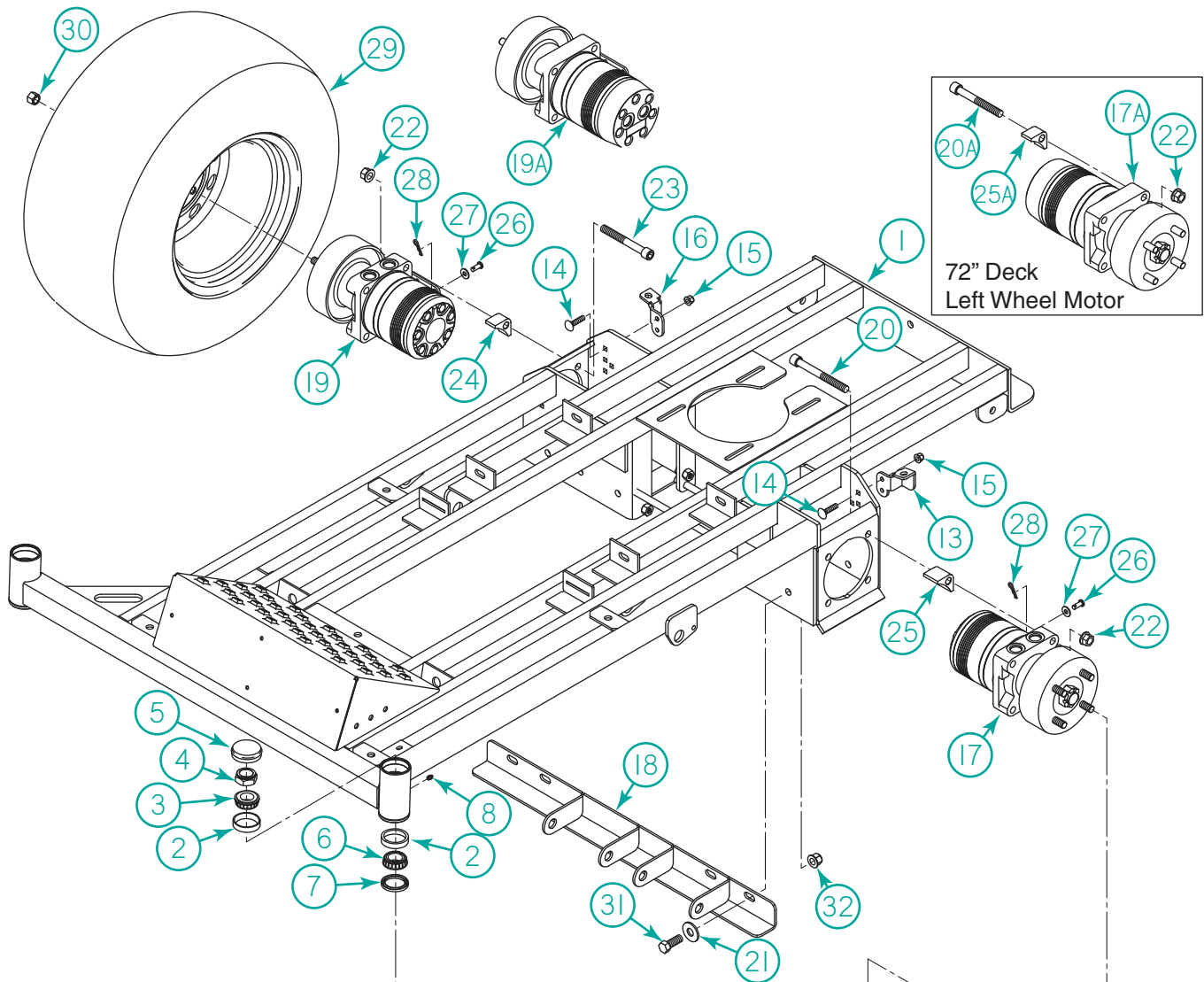


60/72 inch deck



Item	Part No.	Description	Qty.
1	2010B85W	Belt, Engine to Deck (50" Deck)	1
1A	2010B88W	Belt, Engine to Deck (60" Deck)	1
1B	2010B89W	Belt, Engine to Deck (72" Deck)	1
2	2006B112R	Belt, Deck Spindle (50" Deck)	1
2A	2006B130R	Belt, Deck Spindle (60" Deck)	1
2B	2006B160R	Belt, Deck Spindle (72" Deck)	1
3	200919	Belt, Drive System	1

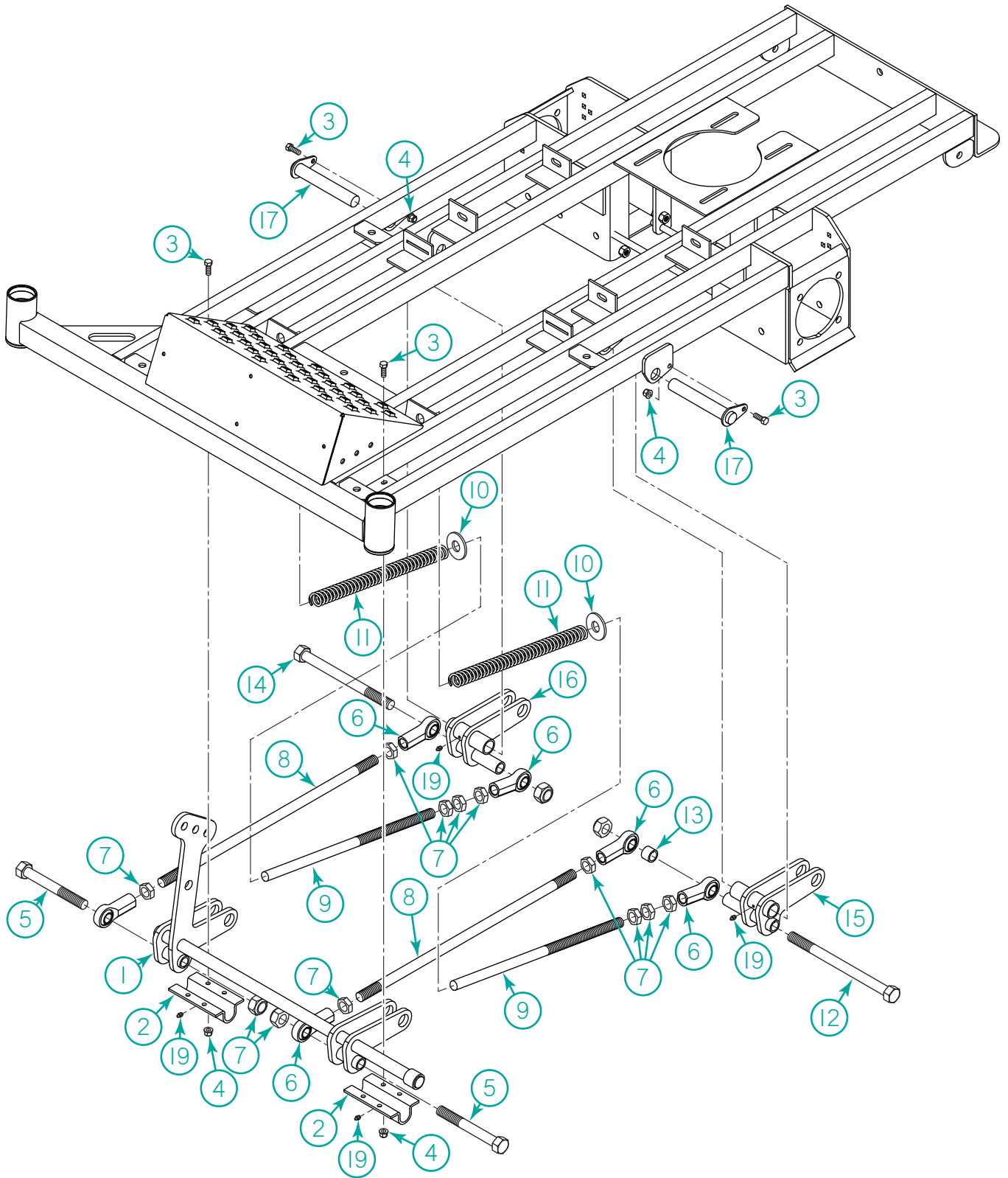
# Frame



# Frame

Item	Part No.	Description	Qty.
1	DUP-101006	Weldment, Frame Black (50/60" Deck)	1
1A	DUP-101009	Weldment, Frame Black (72" Deck)	1
2	10206	Bearing, Race Front Fork	4
3	10207	Bearing, Upper Front Fork	2
4	N-183	Nut, 1-14 Nyloc Jam	2
5	401410	Cap, Dust Front Fork	2
6	97171	Bearing, Bottom	2
7	10208	Seal, Front Fork	2
8	F-100	Fitting, 3/16 Drive-In Grease	2
9	100397	Weld, Front Fork Two Hole Black (50/60" Deck Standard Models)	2
9A	100964	Assembly, FF Springer Cantilever HD (72" Deck and HP Models)	2
10	400439	Assembly, Wheel Front	2
10A	400234	Tire	2
10B	401402	Rim	2
10C	900339	Bearing Kit	2
11	B-235	Bolt, 5/8-11 x 9" HHCS PT Gr. 5 PT Zinc	2
12	N-115	Nut, 5/8-11 Nyloc Gr. A Zinc	2
13	100595	Bracket, Cable Brake LH Black	1
14	B-259	Bolt, 5/16-18 Carriage	4
15	N-217	Nut, 5/16-18 Flange Nyloc	4
16	100594	Bracket, Cable Brake RH Black	1
17	200637	Motor, DG280 LH (50/60" Deck)	1
17A	200771	Motor, DG335 LH Axial (72" Deck)	1
18	401756	Weld Stabilizer Support Black (50/60" Deck)	1
18A	100760	Weldment, Crossmember (72" Deck)	1
19	200638	Motor, DG280 RH (50/60" Deck)	1
19A	200772	Motor, DG335 RH (72" Deck)	1
20	B-380	Bolt, 1/2-13 x 4" SHCS (50/60" Deck)	4
20A	B-344	Bolt, 1/2-13 x 3-1/2" SHCS (72" Deck)	4
21	W-109	Washer, 1/2" Flat	4
22	N-223	Nut, 1/2-13 Flange Top Lock	8
23	B-344	Bolt, 1/2-13 x 3-1/2" SHCS	4
24	200758	Spacer, Wheel Motor.53 ID x 1" Long	4
25	200756	Spacer, Wheel Motor.53 ID x 1-1/2" Long (50/60" Deck)	4
25A	200758	Spacer, Wheel Motor.53 ID x 1" Long (72" Deck)	4
26	P-112	Pin, 5/16 x 3/4 Clevis	2
27	W-102	Washer, 1/4 Flat	2
28	20224	Clip, Hair Pin #13	2
29	400743	Complete Rear Wheel 25 x 9-12 (Includes 29B and 29C) (50" Deck)	2
29A	401745	Complete Rear Wheel 25 x 12-12 (Includes 29D and 29E) (60/72" Deck)	2
29B	400744	Tire, 25 x 9-12 Turf Tread (50" Deck)	2
29C	400745	Rim, 12 x 7, +.75" Offset (50" Deck)	2
29D	400747	Tire, 25 x 12-12 Grass Master (60/72" Deck)	2
29E	401212	Rim, 12 x 10.5 (60/72" Deck)	2
30	N-113	Nut, 1/2-20 Wheel Lug	8
31	N-218	Nut, 1/2-13 Flange Nyloc	4
32	B-117	Bolt, 1/2-13 x 1-1/4" HHCS Gr. 5 Zinc	4

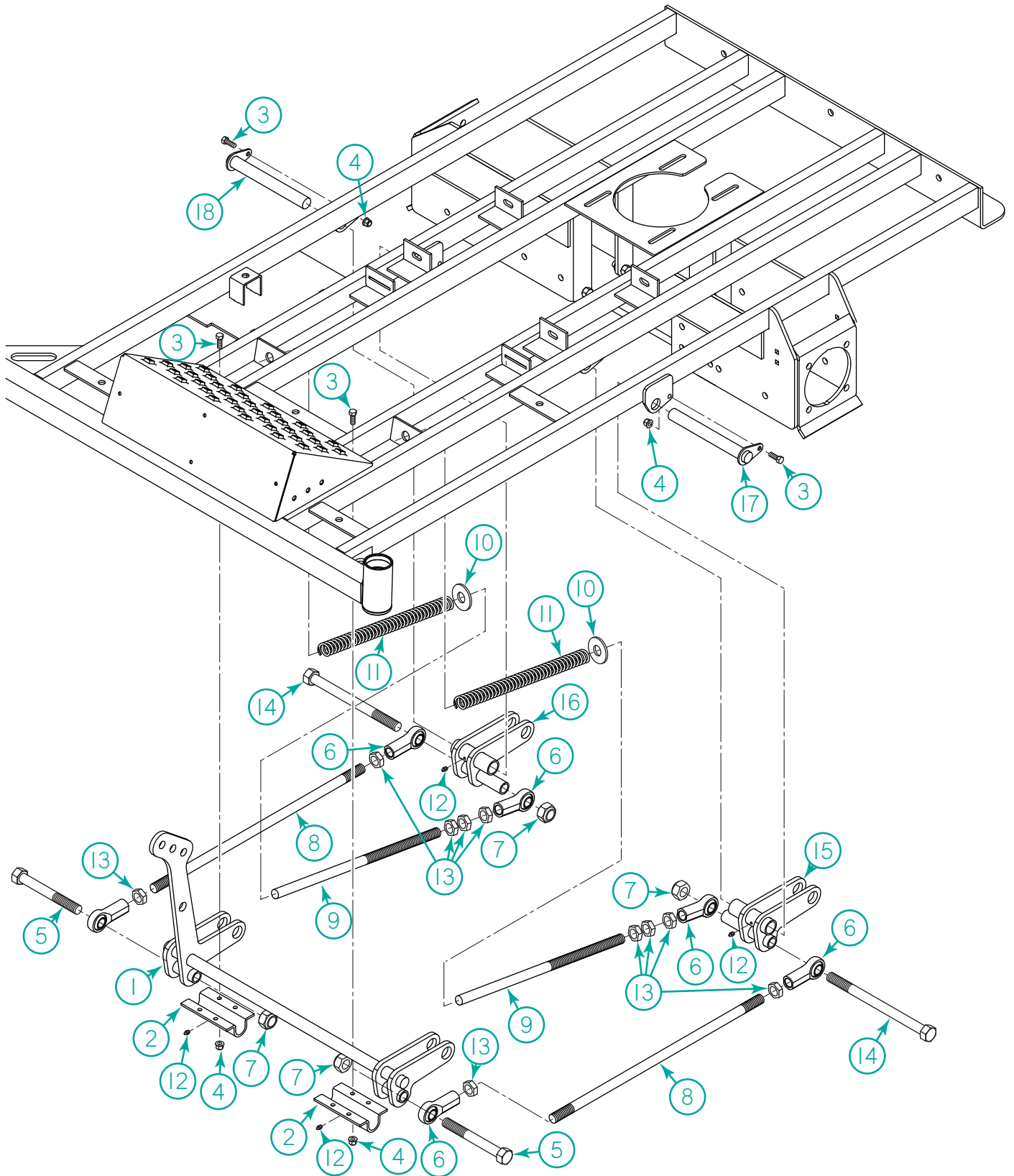
# 50" and 60" Deck Lift Pivot



# 50" and 60" Deck Lift Pivot

Item	Part No.	Description	Qty.
1	302311	Weldment, Front Deck Lift Cross Shaft (50/60" Decks)	1
2	302313	Bracket, Cross Shaft Saddle	2
3	B-107	Bolt, 5/16-18 x 3/4" HHCS FT Gr. 5 Clear Zinc	10
4	N-217	Nut, 5/16-18 Flange Nyloc	10
5	B-351	Bolt, 3/4-10 x 5" HHCS PT Gr. 5 Clear Zinc	2
6	301389	Rod End, 3/4-16 Female Thread Hyme Clear Zinc	6
7	N-197	Nut, 3/4-10 Nyloc Jam Gr. A Clear Zinc	4
8	301753	Rod, Deck Lift Link, Clear Zinc	2
9	DUP-301742	Rod, Deck Lift Spring Mount Clear Zinc	2
10	W-154	Washer, 3/4 Flat	2
11	301929	Spring, Compression Clear Zinc	2
12	B-238	Bolt, 3/4-10 x 8-1/2" HHCS PT Gr. 2 Clear Zinc	1
13	302320	Tube, Deck Link Spacer	1
14	B-237	Bolt, 3/4-10 x 7-1/2" HHCS PT Gr. 2 Clear Zinc	1
15	302319	Weld, Rear Deck Lift LH Clear Zinc	1
16	302318	Weld, Rear Deck Lift RH Clear Zinc	1
17	100897	Weld, Deck Lift Pin Clear Zinc	2
18	N-114	Nut, 3/4-16 Jam Gr. 2 Clear Zinc	10
19	F-109	Fitting - 3/16 x .1 Drive In. Grease, Clear Zinc	4

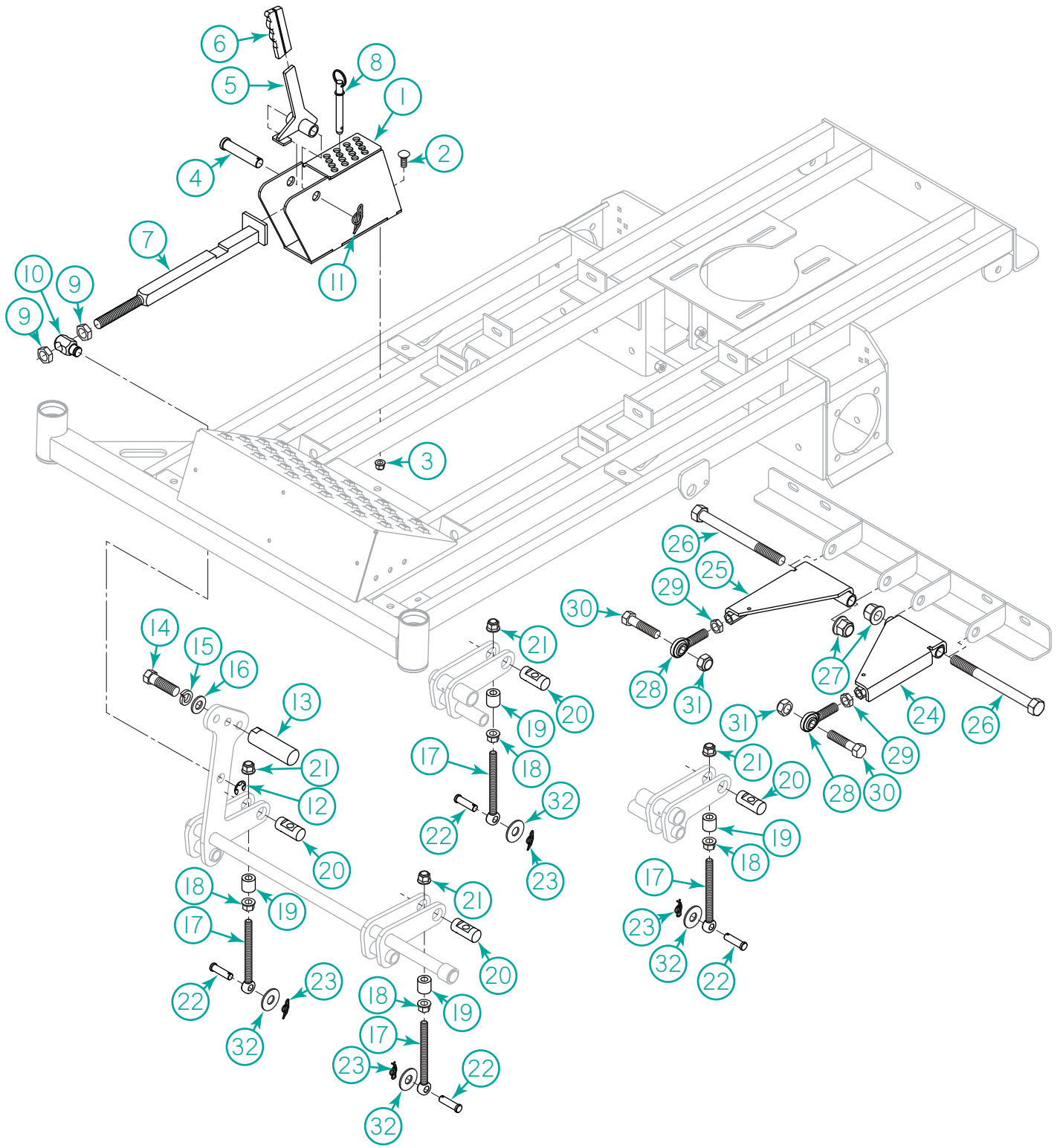
# 72" Deck Lift Pivot



# 72" Deck Lift Pivot

Item	Part No.	Description	Qty.
1	302346	Weldment, Front Deck Lift Cross Shaft (72" Deck)	1
2	302313	Bracket, Cross Shaft Saddle	2
3	B-107	Bolt, 5/16-18 x 3/4" HHCS FT Gr. 5 Clear Zinc	10
4	N-217	Nut, 5/16-18 Flange Nyloc	10
5	B-351	Bolt, 3/4-10 x 5" HHCS PT Gr. 5 Clear Zinc	2
6	301389	Rod End, 3/4-16 Female Thread Hyme Clear Zinc	6
7	N-197	Nut, 3/4-10 Nyloc Jam Gr. A Clear Zinc	4
8	301753	Rod, Deck Lift Link, Clear Zinc	2
9	DUP-301742	Rod, Deck Lift Spring Mount Clear Zinc	2
10	W-154	Washer, 3/4 Flat	2
11	301929	Spring, Compression Clear Zinc	2
12	F-109	Fitting - 3/16 x .1 Drive In. Grease, Clear Zinc	4
13	N-114	Nut, 3/4-16 Jam Gr. 2 Clear Zinc	10
14	B-237	Bolt, 3/4-10 x 7-1/2" HHCS PT Gr. 2 Clear Zinc	2
15	302319	Weld, Rear Deck Lift LH Clear Zinc	1
16	302318	Weld, Rear Deck Lift RH Clear Zinc	1
17	100898	Weld, Deck Lift Pin, Clear Zinc	1
18	100876	Weld, Rear Deck Lift Pin, Clear Zinc	1

# Deck Lift Pedal and Deck Linkage

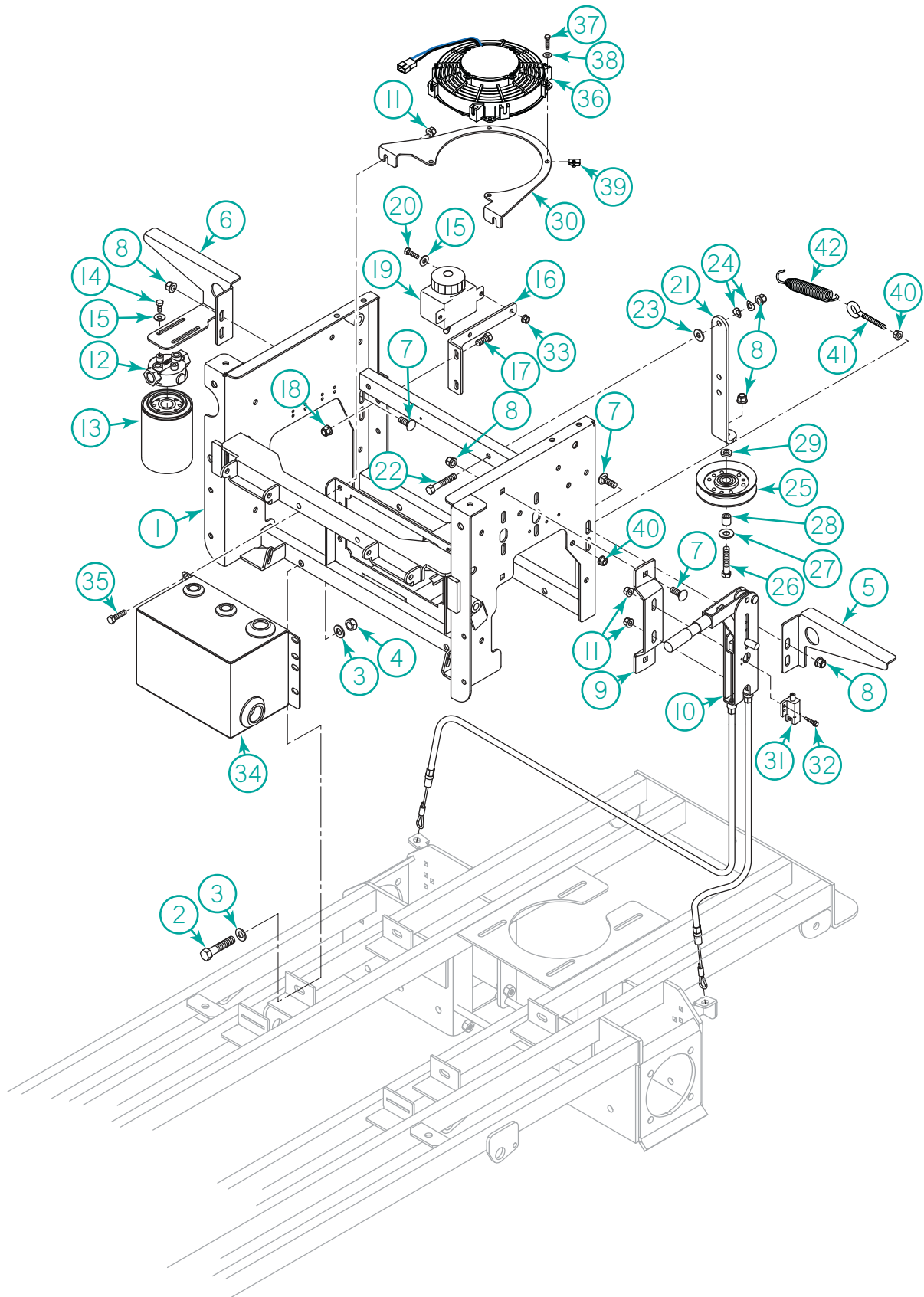




# Deck Lift Pedal and Deck Linkage

Item	Part No.	Description	Qty.
1	100924	Weld, Deck Height Indicator	1
2	B-110	Bolt, 3/8-16 x 3/4" Carriage	2
3	N-216	Nut, 3/8-16 Flange Nyloc	2
4	P-165	Pin, 3/4 x 3-1/4" Clevis Clear Zinc	1
5	301951	Weld, Deck Lift Handle	1
6	67258	Grip, 1/4 x 1 Black	1
7	301757	Weld, Deck Lift Selector Rod Clear Zinc	1
8	P-174	Pin, 1/2 x 3" Shoulder Style Quick Release	1
9	N-114	Nut, 3/4-16 Jam Gr. 2 Clear Zinc	2
10	300031	Trunnion, 3/4-10 x 1-1/8"	1
11	C-133	Clip-3/4x2-1/4 Locking Cotter, Clear Zinc	1
12	C-116	Clip, E 3/4" I.D.	1
13	DUP-301736	Rod, Foot Pedal Clear Zinc	1
14	B-275	Bolt, 5/8-18 x 2" HHCS Gr. 5 Clear Zinc	1
15	W-111	Washer, 5/8 Lock	1
16	W-181	Washer, 5/8 Flat	1
17	B-388	Rod End, 1/2-13 x 6" FT Clear Zinc	4
18	N-157	Nut, 1/2-13 Whizlock Flange	4
19	301931	Tube, Deck Adjustment Spacer Clear Zinc (72" Deck Only)	4
20	301740	Rod, Deck Lift Mount Bushing	4
21	N-218	Nut, 1/2-13 Flange Nyloc	4
22	P-167	Pin, 1/2 x 1-3/4 Clevis	4
23	C-131	Clip, 1/2" Shaft Locking Hairpin Clear Zinc	4
24	301077	Stabilizer, LH Deck (Incl 28 and 29)	1
25	301076	Stabilizer, RH Decl (Incl 28 and 29)	1
26	B-424	Bolt, 3/4-10 x 7" HHCS PT Gr. 5 Clear Zinc	2
27	N-222	Nut, 3/4-10 Flange Nyloc	2
28	900070	Joint, 5/8-18 x 1-3/4 Hyme Spherical	2
29	N-191	Nut, 5/8-18 Jam Gr. 2 Clear Zinc	2
30	B-185	Bolt, 5/8-11 x 2" HHCS PT Gr. 5 Clear Zinc	2
31	N-156	Nut, 5/8-11 Nyloc Jam Clear Zinc	2
32	W-166	Washer-7/16 Flat, Clear Zinc	1

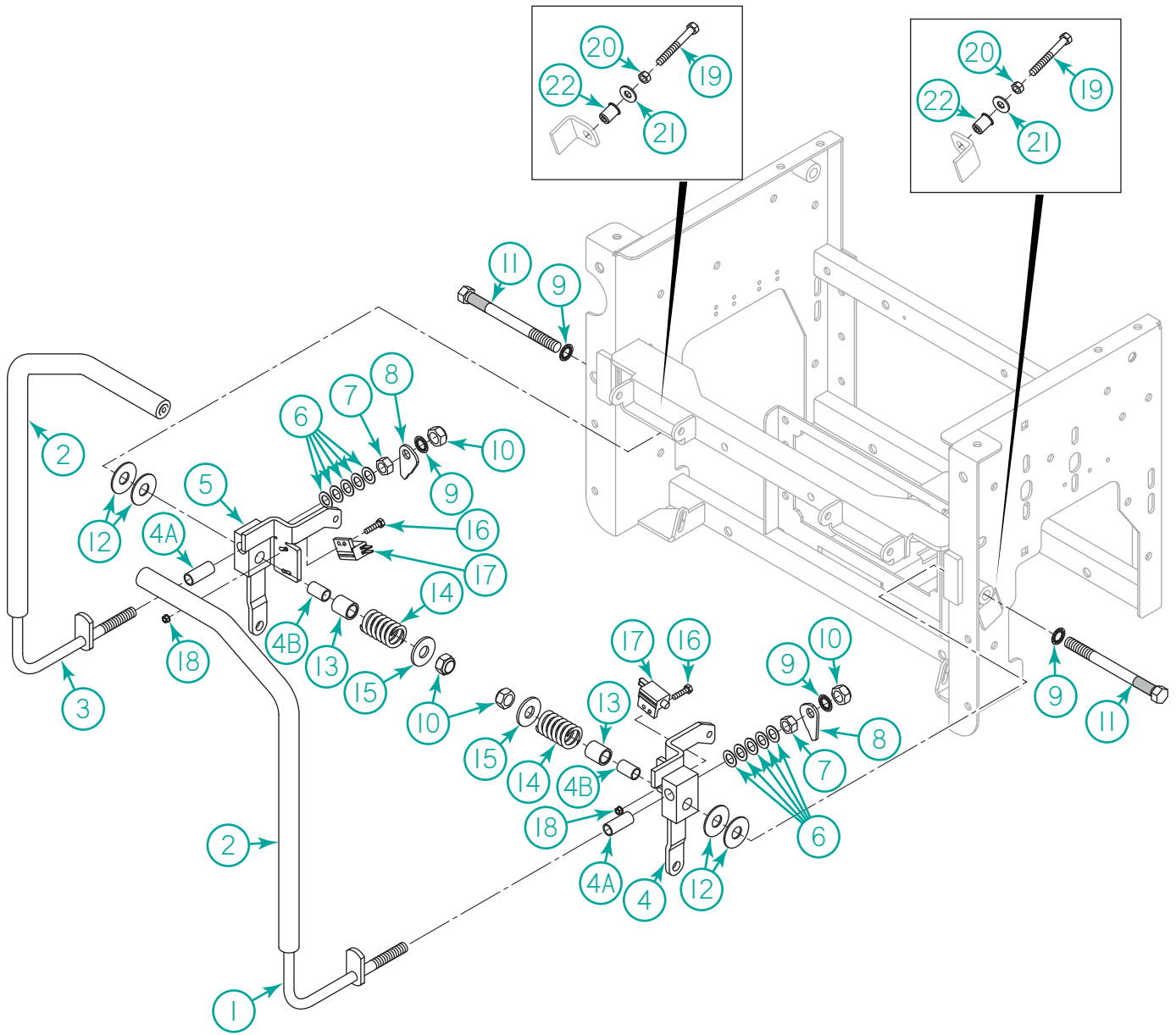
# Transmission Frame



# Transmission Frame

Item	Part No.	Description	Qty.
1	100285	Weldment, Sheet Metal Transmission Frame	1
2	B-199	Bolt, 7/16-20 x 2" HHCS PT Gr. 8 Yellow Zinc	4
3	W-168	Washer, 7/16 Flat	8
4	N-135	Nut, 7/16-20 Nyloc Gr. A Clear Zinc	4
5	100279	Bracket, Tank Support LH	1
6	100566	Bracket, Fender Brace Filter Mount RH	1
7	B-110	Bolt, 3/8-16 x 3/4" Carriage	6
8	N-216	Nut, 3/8-16 Flange Nyloc	10
9	401743	Bracket, Brake Spacer Black	1
10	400349	Assembly, Lever/Cable Brake	1
11	N-217	Nut, 5/16-18 Flange Nyloc	6
12	200597	Head, Filter Zinga	1
13	200598	Filter, 25 Micron	1
14	B-101	Bolt, 1/4-20 x 1/2" HHCS FT Gr. 5 Clear Zinc	2
15	W-102	Washer, 1/4 Flat	2
16	200891	Bracket, Mount Overflow Tank Black	1
17	B-108	Bolt, 3/8-16 x 1" HHCS FT Gr. 5 Clear Zinc	2
18	W-153	Washer, 1/4 Flat	2
19	200234	Tank, Overflow w/ cap	1
20	B-102	Bolt, 1/4-20 x 3/4" HHCS FT Gr. 5 Clear Zinc	2
21	100288	Bracket, Idler Arm 110L	1
22	B-165	Bolt, 3/8-16 x 2" HHCS PT Gr. 5 Clear Zinc	1
23	W-125	Washer, 3/8 x 7/8" Nylon	1
24	W-126	Washer, 3/8 Dish Spring	2
25	30234	Pulley, V-Idler	1
26	B-124	Bolt, 3/8-16 x 1-3/4" HHCS PT Gr. 5 Clear Zinc	1
27	W-104	Washer, 3/8 Flat	1
28	97415	Spacer, 3/8 ID x 5/8 OD x 5/8" L	1
29	W-124	Washer, 3/8 Machine	1
30	200042	Mount, Electric Fan (72" Deck)	1
31	500019	Switch, Brake	1
32	S-128	Screw, #10-16 x 3/4" Self Tapping Whizlock	2
33	N-102	Nut, 1/4-20 Whizlock Flange	2
34	200624	Weldment, Hydraulic Tank No Filter	1
35	B-131	Bolt, 5/16-18 x 1" HHCS FT Gr. 5 Clear Zinc	4
36	200043	Fan, 7.5 Electric (72" Models)	1
37	B-203	Bolt, #10-24 x 3/4" HHCS FT SS (72" Models)	4
38	W-152	Washer, #10 Flat SS (72" Models)	4
39	C-105	Clip, #10-24 Nut (72" Models)	4
40	N-103-W	Nut-5/16-18 Flange Whiz Gr.5, Clear Zinc	1
41	B-150A	Bolt - 5/16-18x2-1/2 Eye Gr.2, Clear Zinc	1
42	300324	Spring - Ext., 21.463 lb/in, 0.895" OD, 6" FLIH, 1S, Clear Zinc	1

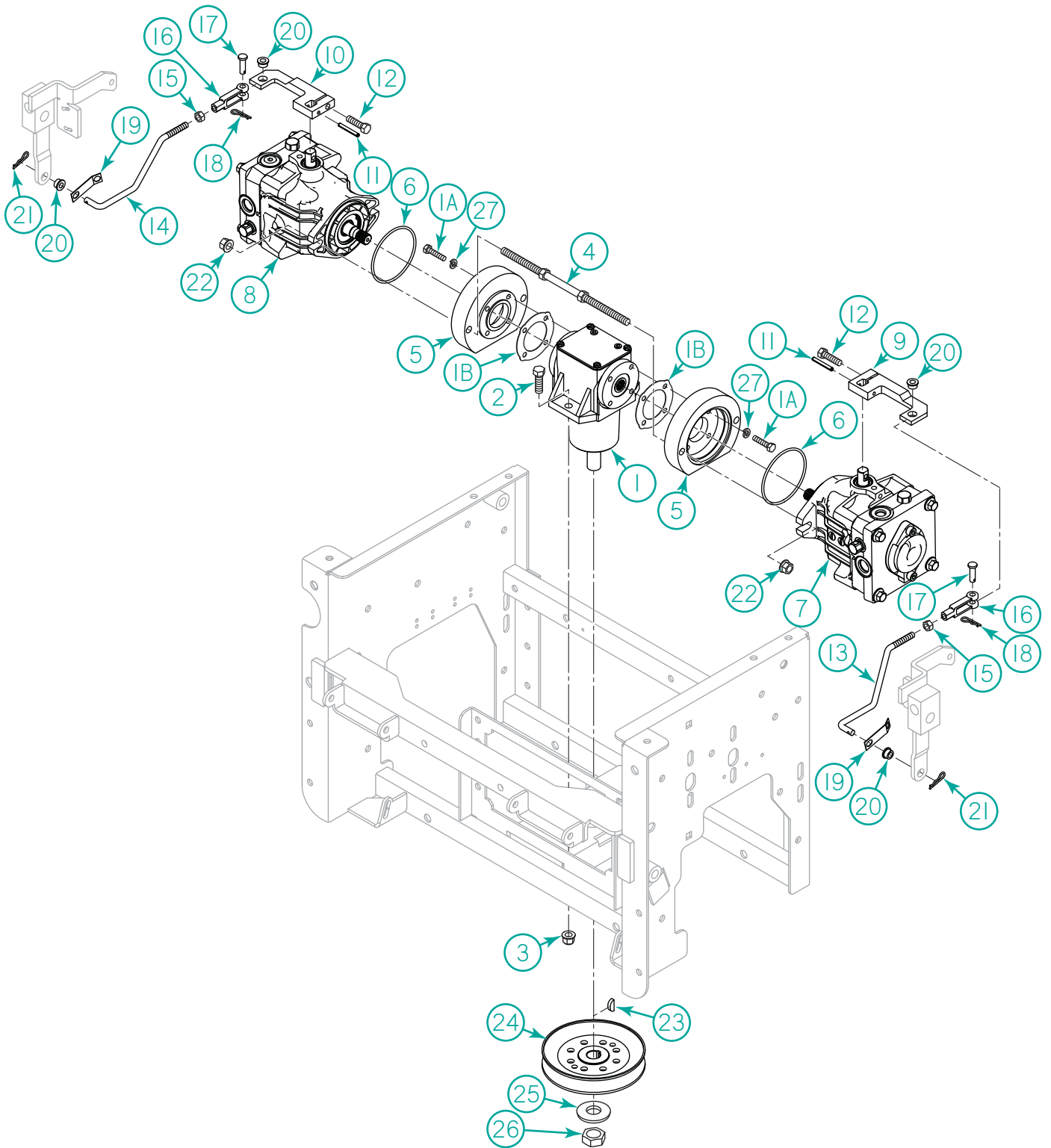
# Steering Controls



# Steering Controls

Item	Part No.	Description	Qty.
1	400497	Lever, LH Steering	1
2	400201	Grip, Foam	2
3	DUP-400496	Lever, RH Steering	1
4	200331	Block, Steering Long LH (Incl 4A and 4B)	1
4A	20276	Bushing, 1/2 x 5/8 x 1-1/2" Bronze	2
4B	20238	Bushing, 1/2 x 5/8 x 1" Bronze	2
5	200330	Block, Steering Long RH (Incl 4A and 4B)	1
6	W-110	Washer, 1/2 Machine	10
7	N-198	Nut, 1/2-13 Two Way Lock Gr. 2 Clear Zinc	2
8	200247	Actuator, Steering Switch	2
9	W-157	Washer, 1/2 Star Tooth	4
10	N-143	Nut, 1/2-13 Nyloc Gr. A Clear Zinc	4
11	B-402	Bolt, 1/2-13 x 5" HHCS PT Gr. 5 Zinc Knurled	2
12	W-140	Washer, 5/8 ID x 1-5/8" OD Nylon	4
13	10203	Spacer	2
14	100107	Spring, Suspension	2
15	W-109	Washer, 1/2 Flat	2
16	B-258	Bolt, M5-0.8 x 16 mm HHCS FT 8.8 Clear Zinc	4
17	500013	Switch, Steering Arm	2
18	N-210	Nut, M5-0.8 Hex w/ Star Washer	4
19	B-129	Bolt, 5/16-18 x 2-1/4" HHCS FT Gr. 2 Clear Zinc	2
20	N-103	Nut, 5/16-18 HHCS Gr. 2 Clear Zinc	2
21	W-113	Washer, 5/16 Flat	2
22	N-153	Nut, 5/16-18 Insert	2

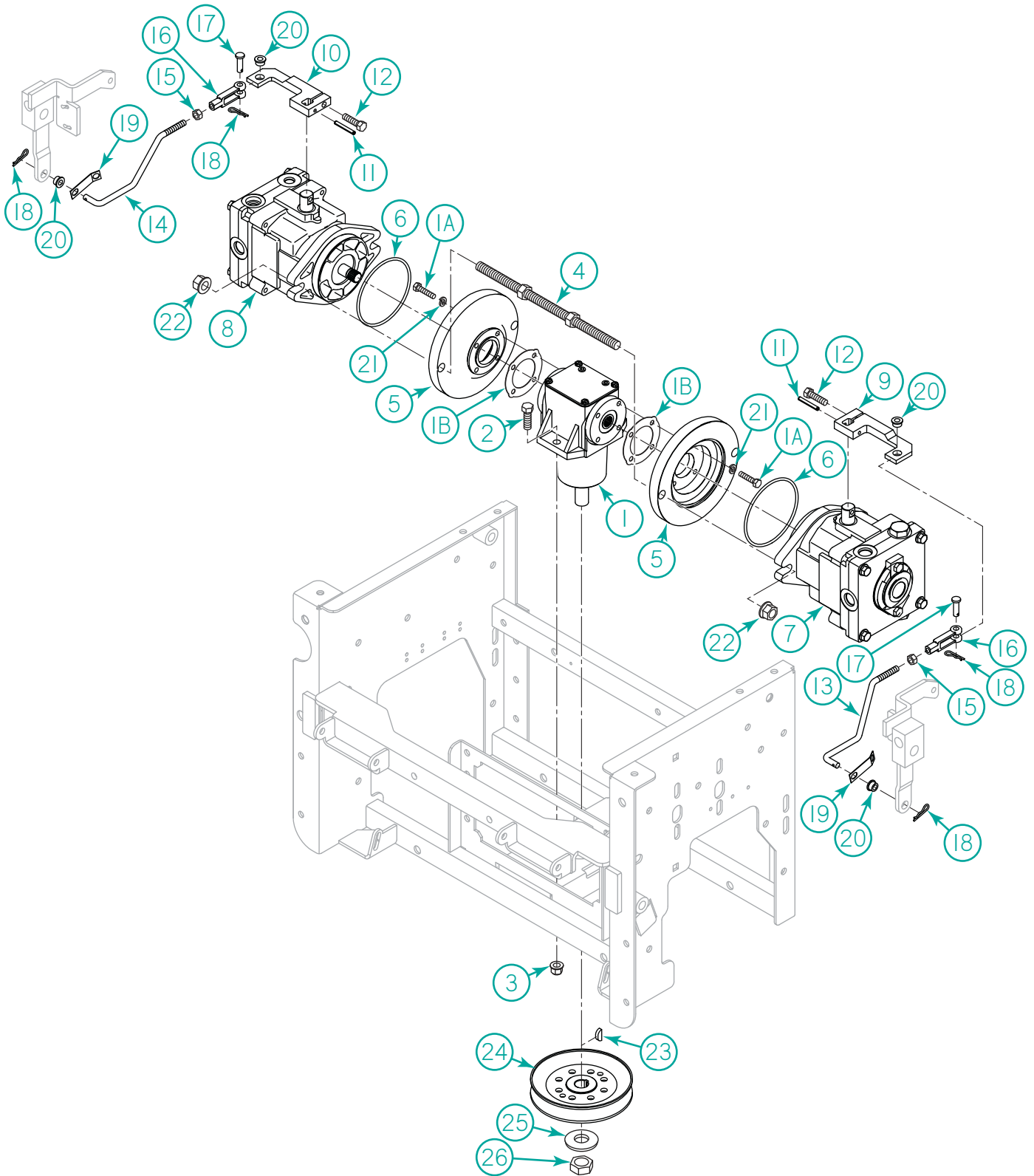
# Transmission Pumps (50/60" Decks)



# Transmission Pumps (50/60" Decks)

Item	Part No.	Description	Qty.
1	200107	Kit, Gear Box	1
1A	792026	Screw, Gear Box	8
1B	788030B	Gasket, T-Box	2
1C	788101	Gasket, Gear Box Cover	1
1D	772150	Cover, Gear Box	1
1E	792025	Screw, #10-24 x 1/2"	4
2	B-108	Bolt, 3/8-16 x 1" HHCS FT Gr. 5 Clear Zinc	2
3	N-216	Nut, 3/8-16 Flange Nyloc	2
4	65206	Stud Assembly, 3/8-24 x 8" (Incl 4A and 4B)	2
4A	N-184	Nut, 3/8-24 Hex	2
5	200003	Bell Housing, Gear Pump Flange	2
6	65024	O-Ring, 4-1/4"	2
7	200013	Pump, Hydro-Gear 16CC LH	1
8	200012	Pump, Hydro Gear 16CC RH	1
9	200315	Arm, Control Pump LH	1
10	200314	Arm, Control Pump RH	1
11	P-118	Pin, 3/16 x 1-1/2" Roll	2
12	B-131	Bolt, 5/16-18 x 1" HHCS Gr. 5 Zinc	2
13	200323	Rod, Control Pump LH (Incl 15 and 16)	1
14	200324	Rod, Control Pump RH (Incl 15 and 16)	1
15	N-105	Nut, 5/16-24 Hex	2
16	20214	Yoke, 5/16-24 Adjustable	2
17	P-101	Pin, 5/16 x 1" Clevis Zinc	2
18	20224	Clip, Hair Pin #13	4
19	20223	Clip, Backing	2
20	20222	Bushing, Nylon	4
21	W-122	Washer, 1/4 Lock	8
22	N-168	Nut, 3/8-24 Whizlock Flange	4
23	K-102	Key, 3/16 x 3/4" Woodruff	1
24	200041	Pulley, 4.809 EDB x 3/4" Bore	1
25	W-132	Washer, 3/4 Belleville	1
26	N-114	Nut, 3/4-16 Jam Gr. 2 Clear Zinc	1

# Transmission Pumps (72" Decks)

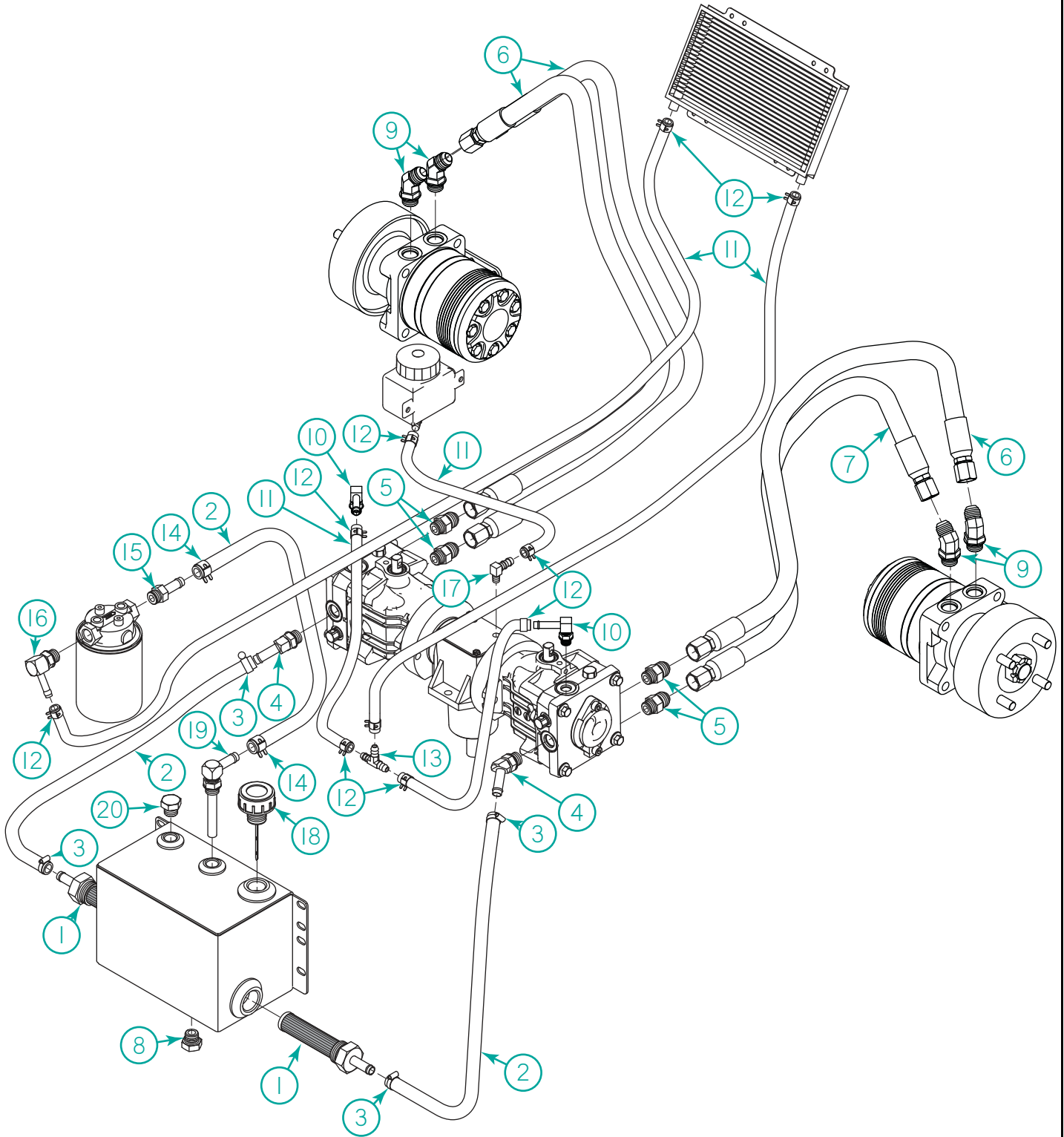




# Transmission Pumps (72" Decks)

Item	Part No.	Description	Qty.
1	200107	Kit, Gear Box	1
1A	792026	Screw, Gear Box	8
1B	788030B	Gasket, T-Box	2
1C	788101	Gasket, Gear Box Cover	1
1D	772150	Cover, Gear Box	1
1E	792025	Screw, #10-24 x 1/2"	4
2	B-108	Bolt, 3/8-16 x 1" HHCS FT Gr. 5 Clear Zinc	2
3	N-216	Nut, 3/8-16 Flange Nyloc	2
4	S-133	Stud Assembly (Incl 4A and 4B)	2
4A	S-121	Stud, 1/2-13 x 9"	2
4B	N-185	Nut, 1/2-13 Hex	4
5	72001	Bell Housing, Gear Pump Flange	2
6	72024	O-Ring, 4-1/4"	2
7	200313	Pump, Hydro-Gear 21CC LH	1
8	200312	Pump, Hydro Gear 21CC RH	1
9	200315	Arm, Control Pump LH	1
10	200314	Arm, Control Pump RH	1
11	P-118	Pin, 3/16 x 1-1/2" Roll	2
12	B-131	Bolt, 5/16-18 x 1" HHCS Gr. 5 Zinc	2
13	200323	Rod, Control Pump LH (Incl 15 and 16)	1
14	200324	Rod, Control Pump RH (Incl 15 and 16)	1
15	N-105	Nut, 5/16-24 Hex	2
16	20214	Yoke, 5/16-24 Adjustable	2
17	P-101	Pin, 5/16 x 1" Clevis Zinc	2
18	20224	Clip, Hair Pin #13	4
19	20223	Clip, Backing	2
20	20222	Bushing, Nylon	4
21	W-122	Washer, 1/4 Lock	8
22	N-157	Nut, 1/2-13 Whizlock Flange	4
23	K-102	Key, 3/16 x 3/4" Woodruff	1
24	200041	Pulley, 4.809 EDB x 3/4" Bore	1
25	W-132	Washer, 3/4 Belleville	1
26	N-114	Nut, 3/4-16 Jam Gr. 2 Clear Zinc	1

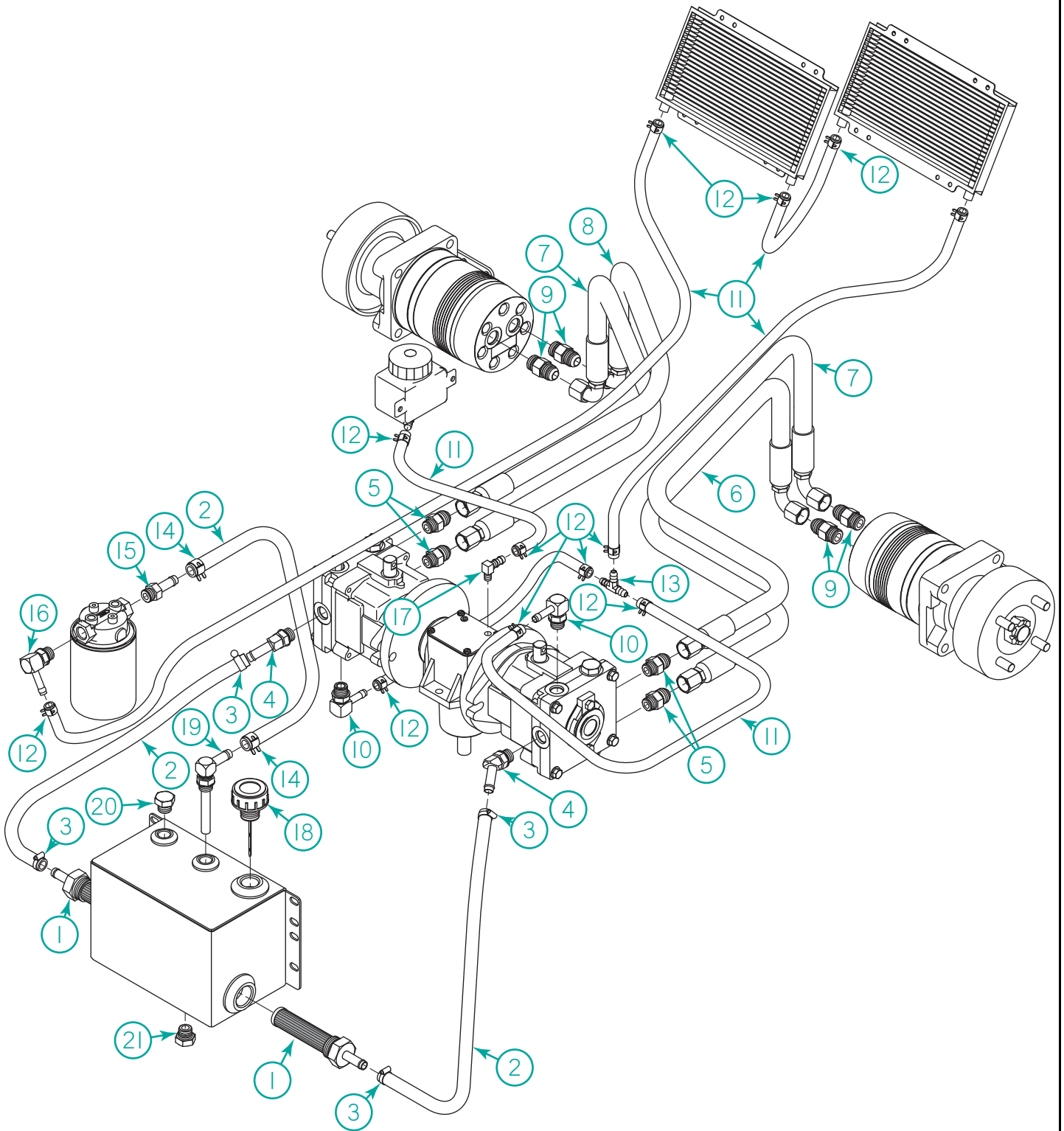
# Hydraulic Routing (50/60" Deck)



# Hydraulic Routing (50/60" Deck)

Item	Part No.	Description	Qty.
1	200366	Fitting, -16 ORB x 1/2" Hose Barb Screen	2
2	200025	Hose, Hydro Black Ext Braid 1/2" ID	/in
3	97098	Clamp, Worm Gear	4
4	200311	Fitting, -8 ORB x 1/2" Hose Bead 45°	2
5	65004	Fitting, -8 ORB x -10 JIC Straight	4
6	200640	Asm, Hydraulic Hose -10 JIC 19"	3
7	200639	Asm, Hydraulic Hose, -10 JIC 14"	1
8	200365	Plug, -8 ORB Magnetic Drain	1
9	200479	Fitting, -10 ORB x -10 JIC 45°	4
10	DUP-67015	Fitting, -8 ORB x 3/8" Hose Bead	2
11	60109	Hose, 3/8" ID Black Oil Line	/in
12	DUP-67013	Clamp, Spring 3/8"	12
13	DUP-67008	Tee, 3/8" Hose Barb	1
14	C-118	Clamp, Spring 1/2"	2
15	200089	Fitting, -8 ORB x 1/2" Hose Bead	1
16	72071	Fitting, -8 ORB x 3/8" Hose Bead	1
17	68031	Fitting, 1/8 NPT x 3/8" Hose Barb	1
18	200888	Breather, Dipstick	1
19	200594	Fitting, -8 ORB x 1/2" Hose Bead 90°	1
20	200747	Plug, -8 ORB Hex	1

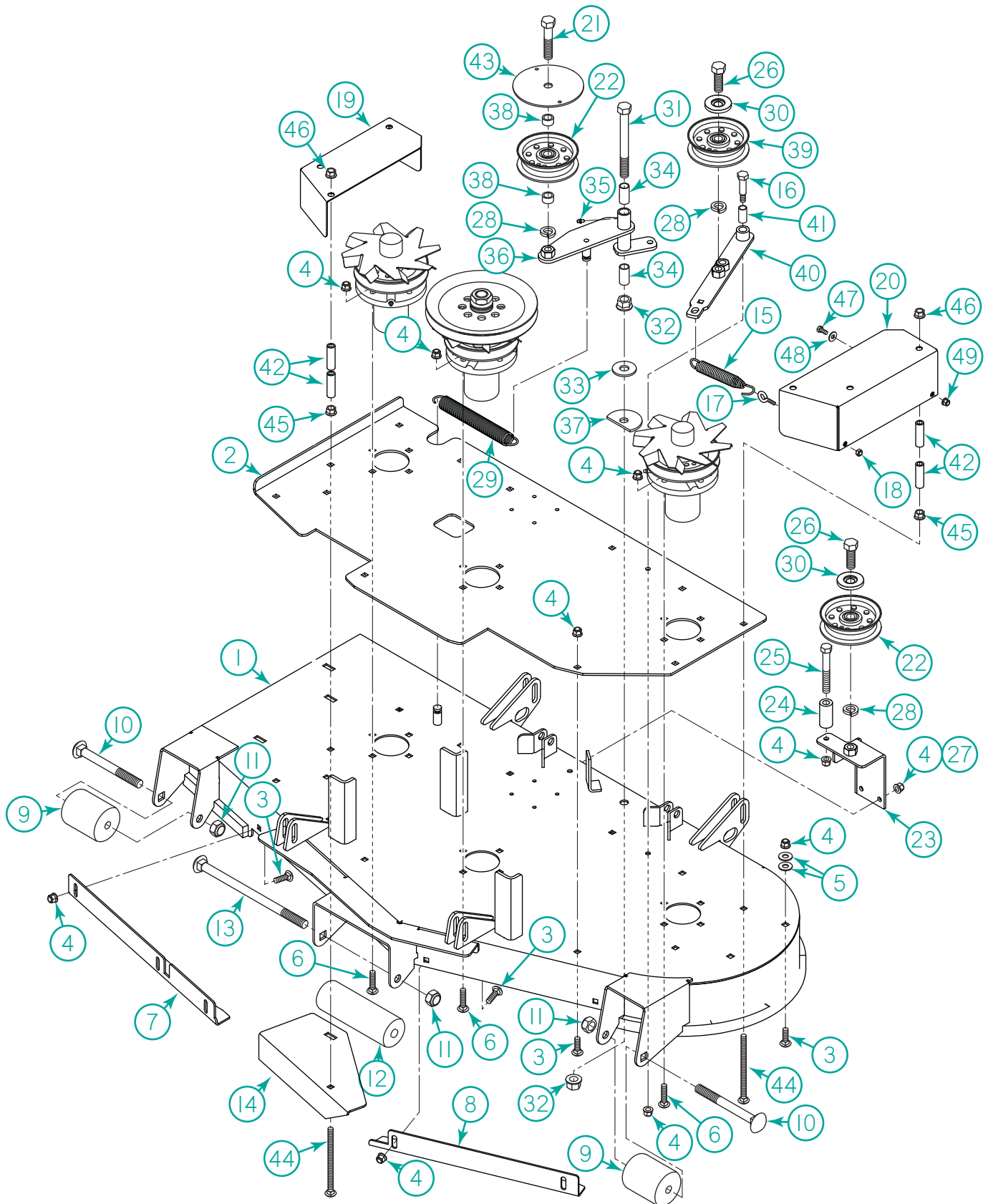
# Hydraulic Routing (72" Deck)



# Hydraulic Routing (72" Deck)

Item	Part No.	Description	Qty.
1	200366	Fitting, -16 ORB x 1/2" Hose Barb Screen	2
2	200025	Hose, Hydro Black Ext Braid 1/2" ID	/in
3	97098	Clamp, Worm Gear	4
4	200311	Fitting, -8 ORB x 1/2" Hose Bead 45°	2
5	65004	Fitting, -8 ORB x -10 JIC Straight	4
6	200644	Asm, Hydraulic Hose, -10 JIC 18" Straight/90°	1
7	200664	Asm, Hydraulic Hose, -10 JIC 20" Straight/90°	2
8	200665	Asm, Hydraulic Hose -10 JIC 22" Straight/90°	1
9	DUP-87104	Fitting, -10 ORB x -10 JIC Straight	
10	72071	Fitting, -8 ORB x 3/8" Hose Bead	2
11	60109	Hose, 3/8" ID Black Oil Line	/in
12	DUP-67013	Clamp, Spring 3/8"	12
13	DUP-67008	Tee, 3/8" Hose Barb	1
14	C-118	Clamp, Spring 1/2"	2
15	200089	Fitting, -8 ORB x 1/2" Hose Bead	1
16	72071	Fitting, -8 ORB x 3/8" Hose Bead	1
17	DUP-68031	Fitting, 1/8 NPT x 3/8" Hose Barb	1
18	200888	Breather, Dipstick	1
19	200594	Fitting, -8 ORB x 1/2" Hose Bead 90°	1
20	200747	Plug, -8 ORB Hex	1
21	200365	Plug, -8 ORB Magnetic Drain	1

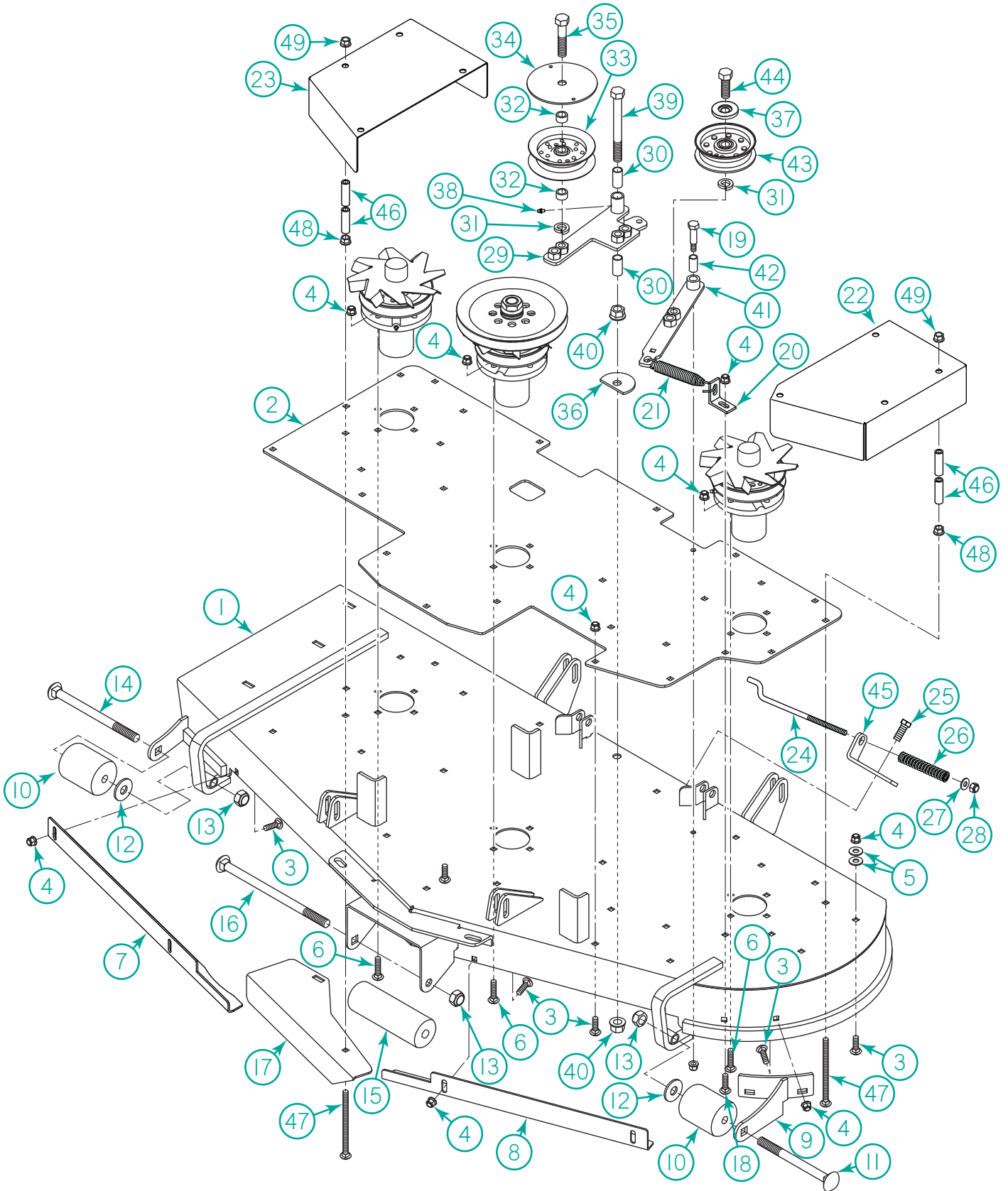
# 50" Deck



# 50" Deck

Item	Part No.	Description	Qty.
1	DUP-301863	Weld, Deck 50" Black	1
2	100868	Plate, Top 50" Black	1
3	B-135	Bolt, 3/8-16 x 1" Carriage FT Gr. 5 Clear Zinc	15
4	N-216	Nut, 3/8-16 Flange Nyloc	35
5	W-104	Washer, 3/8 Flat	4
6	B-190	Bolt, 3/8-16 x 1-1/3" Carriage FT Gr. 5 Clear Zinc	12
7	300386	Baffle, Bolt-On Deck RH	1
8	300387	Baffle, Bolt-On Deck LH	1
9	67240	Roller, 3-3/4" Nylon Deck	1
10	B-278	Bolt, 5/8-11 x 5" Carriage PT Gr. 5 Clear Zinc	2
11	N-156	Nut, 5/8-11 Nyloc Jam Gr. A Clear Zinc	3
12	30240-0	Roller, 7-1/2" Nylon Deck	1
13	B-255	Bolt, 5/8-11 x 9" Carriage PT Gr. 5 Clear Zinc	1
14	300385	Baffle, Deck Wiper	1
15	300324	Spring, Extension Swivel Hook 18.25 lb.	1
16	B-118	Bolt, 1/2 x 1-1/2 x 3/8-16 x 5/8" HHCS Shoulder	1
17	B-296	Bolt, 1/4-20 x 1" Eye	1
18	N-176	Nut, 1/4-20 Nyloc Gr. A Clear Zinc	1
19	302606	Pulley Guard - 50" RH Black with No-Step Decal	1
20	302611	Pulley Guard - 50" LH Black with No-Step Decal	1
21	B-181	Bolt, 5/8-11 x 2-1/2" HHCS PT Gr. 5 Clear Zinc	1
22	30234	Pulley, V-Idler	2
23	301965	Weld, Idler Mount Black	1
24	301979	Bushing, Belt Guide Black	1
25	B-179	Bolt, 3/8-16 x 2-1/2" HHCS FT Gr. 5 Clear Zinc	1
26	B-264	Bolt, 5/8-11 x 1-1/2" HHCS FT Gr. 5 Clear Zinc	1
27	B-108	Bolt, 3/8-16 x 1" HHCS Gr. 5 Clear Zinc	1
28	W-111	Washer, 5/8 Lock	2
29	301209	Spring, Extension	1
30	902970	Dust Shield, .655 ID x 2.00 IOD	1
31	B-306	Bolt, 5/8-11 x 5-1/2" HHCS PT Gr. 5 Clear Zinc	1
32	N-195	Nut, 5/8-11 Whizlock Flange	2
33	W-135	Washer, 5/8 Flat	1
34	30206	Bushing, 5/8 x 3/4 x 1-1/2" Bronze	2
35	F-102	Fitting, 1/4-28 Grease Fitting	1
36	301968	Weld, Engine Deck Idler	1
37	300471	Shim, Deck Idler	1
38	65278	Bushing, Brake Spacer 1/2 Long	2
39	30224	Pulley, 4-3/4" Flat Idler	1
40	02114-01	Weldment, Deck Idler Arm	1
41	65276	Bushing, 1/2 x 5/8 x 1-1/4" Bronze	1
42	302604	Tube-0.625" OD X 0.385" ID X 2.106" L, Clear Zinc	12
43	300531	Washer, Safety Pulley Idler	1
44	B-391	Bolt - 3/8-16X5-1/2" CARR FT Gr.5	6
45	N-108	Nut, 3/8-16 Whiz	6
46	N-241	Nut, 3/8-16 Hex Flange Spiralock Gr.8, Clear Zinc	6
47	B-101	Bolt - 1/4-20 x 1/2" HHCS FT Gr.5	1
48	W-102	Flat Washer, 5/16	1
49	N-219	Nut, 1/4-20 Flange Nyloc Gr. A Clear Zinc	1

# 60" Deck

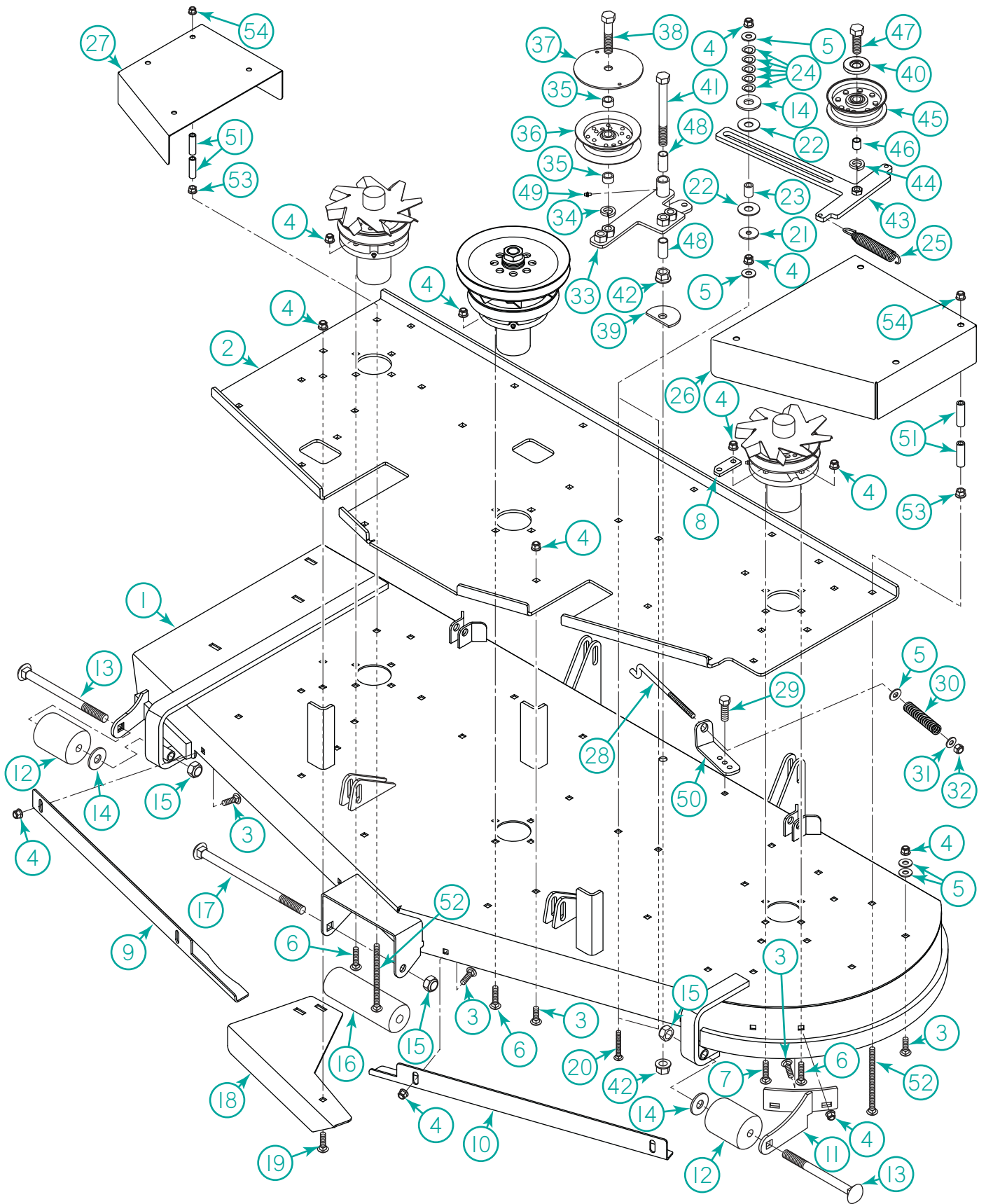




# 60" Deck

Item	Part No.	Description	Qty.
1	301901	Weld, Deck 60" Black	1
2	301898	Plate, Top 60" Black	1
3	B-135	Bolt, 3/8-16 x 1" Carriage FT Gr. 5 Clear Zinc	23
4	N-216	Nut, 3/8-16 Flange Nyloc	39
5	W-104	Washer, 3/8 Flat	5
6	B-190	Bolt, 3/8-16 x 1-1/2" Carriage FT Gr. 5 Clear Zinc	12
7	300344	Baffle, Bolt-On Deck RH	1
8	300345	Baffle, Bolt-On Deck LH	1
9	300333	Bracket, Roller Left Deck	1
10	67240	Roller, 3-3/4" Nylon Deck	1
11	B-253	Bolt, 5/8-11 x 6" Carriage PT Gr. 5 Clear Zinc	1
12	W-135	Washer, 5/8 Flat	2
13	N-156	Nut, 5/8-11 Nyloc Jam Gr. A Clear Zinc	3
14	B-254	Bolt, 5/8-11 x 7" Carriage PT Gr. 5 Clear Zinc	1
15	30240-0	Roller, 7-1/2" Nylon Deck	1
16	B-255	Bolt, 5/8-11 x 9" Carriage PT Gr. 5 Clear Zinc	1
17	300332	Baffle, Deck Wiper	1
18	B-136	Bolt, 3/8-16 x 1" Carriage FT Gr. 5 Clear Zinc	2
19	B-118	Bolt, 1/2 x 1-1/2 x 3/8-16 x 5/8" HHCS Shoulder	1
20	65308-L	Tab, Angle	1
21	300324	Spring, Extension Swivel Hook 18.25 lb.	1
22	302613	Pulley Guard - 60" LH Black with No-Step Decal	1
23	302610	Pulley Guard - 60" RH Black with No-Step Decal	1
24	300184	Rod, Deck Idler Tension	1
25	B-108	Bolt, 3/8-16 x 1" HHCS Gr. 5 Clear Zinc	1
26	97390	Spring, 40 lb.	1
27	W-113	Washer, 5/16 Flat	1
28	N-107	Nut, 3/8-16 Nyloc Gr. A Clear Zinc	1
29	02311-00	Weld, Engine Deck Idler	1
30	30206	Bushing, 5/8 x 3/4 x 1-1/2" Bronze	2
31	W-111	Washer, 5/8 Lock	2
32	65278	Bushing, Brake Spacer 1/2 Long	2
33	301564	Pulley, 4.00" Flat Idler	1
34	300531	Washer, Safety Pulley Idler	1
35	B-181	Bolt, 5/8-11 x 2-1/2" HHCS PT Gr. 5 Clear Zinc	1
36	300471	Shim, Deck Idler	1
37	902970	Dust Shield, .655 ID x 2.00 IOD	1
38	F-102	Fitting, 1/4-28 Grease Fitting	1
39	B-306	Bolt, 5/8-11 x 5-1/2" HHCS PT Gr. 5 Clear Zinc	1
40	N-195	Nut, 5/8-11 Whizlock Flange	2
41	02114-01	Weldment, Deck Idler Arm	1
42	65276	Bushing, 1/2 x 5/8 x 1-1/4" Bronze	1
43	30224	Pulley, 4-3/4" Flat Idler	1
44	B-264	Bolt, 5/8-11 x 1-1/2" HHCS FT Gr. 5 Clear Zinc	1
45	300393	Bracket, Tension Spring	1
46	302604	Tube-0.625" OD X 0.385" ID X 2.106" L, Clear Zinc	16
47	B-391	Bolt - 3/8-16X5-1/2" CARR FT Gr.5	8
48	N-108	Nut, 3/8-16 Whiz	8
49	N-241	Nut, 3/8-16 Hex Flange Spiralock Gr.8, Clear Zinc	8

# 72" Deck

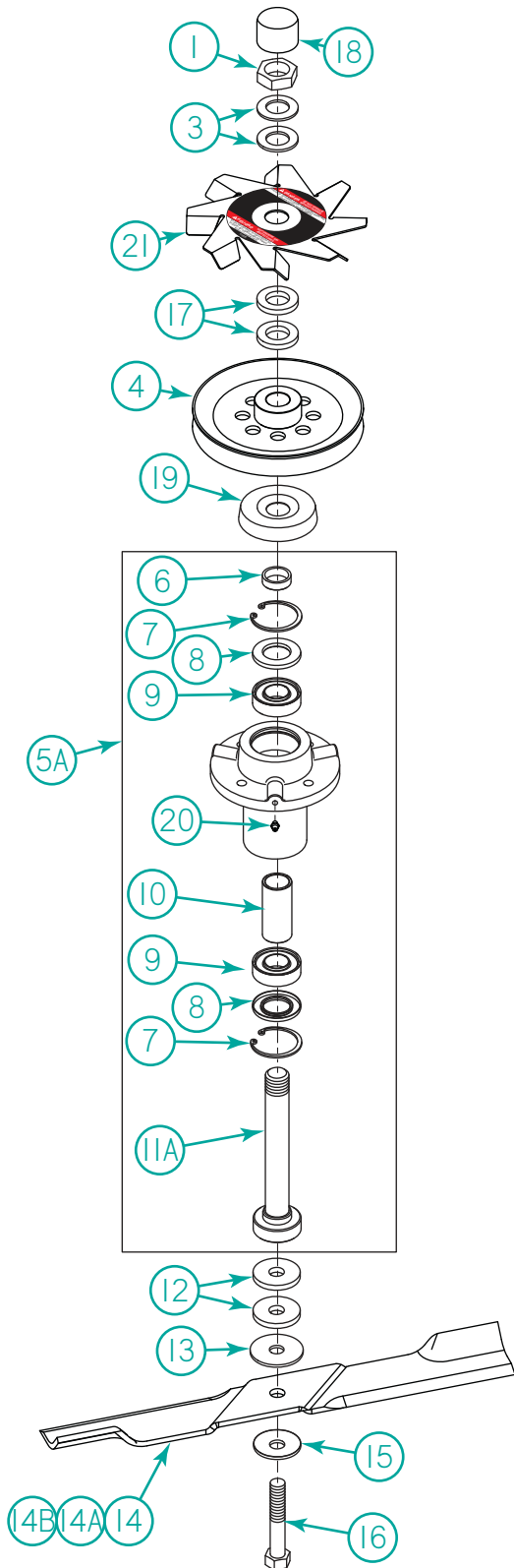


# 72" Deck

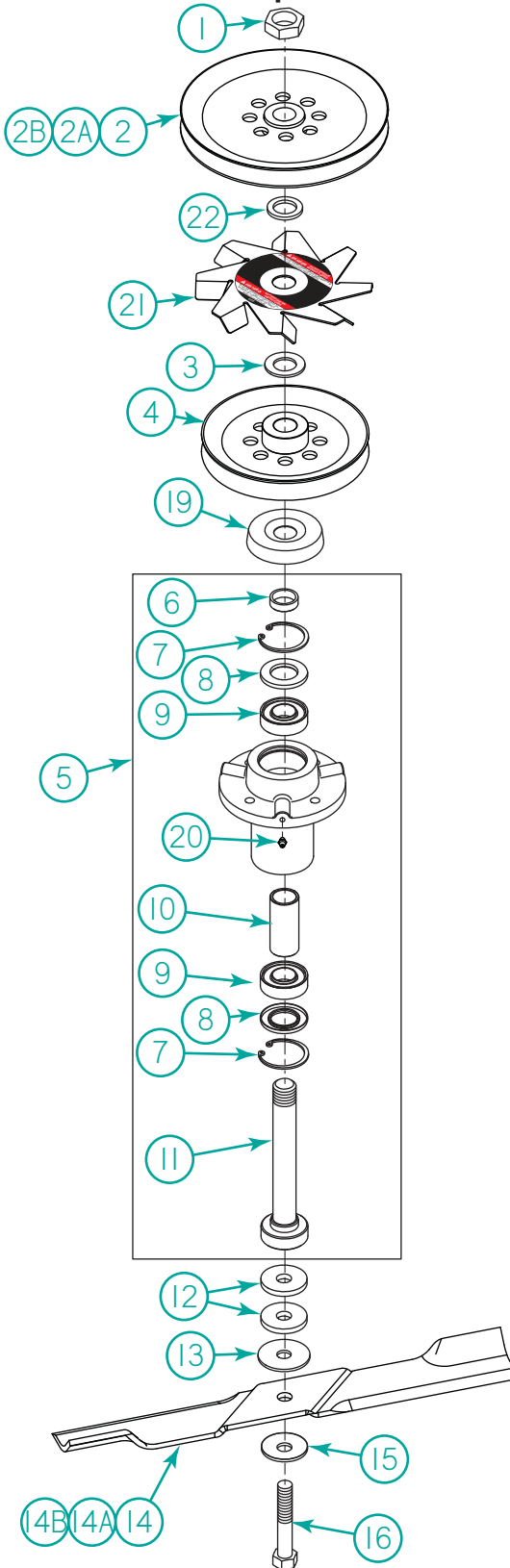
Item	Part No.	Description	Qty.
1	301891	Weld, Deck 72" Black	1
2	301893	Plate, Top 72" Black	1
3	B-135	Bolt, 3/8-16 x 1" Carriage FT Gr. 5 Clear Zinc	30
4	N-216	Nut, 3/8-16 Flange Nyloc	53
5	W-104	Washer, 3/8 Flat	9
6	B-190	Bolt, 3/8-16 x 1-1/2" Carriage FT Gr. 5 Clear Zinc	10
7	B-430	Bolt, 3/8-16 x 1-3/4" Carriage FT Gr. 5 Clear Zinc	2
8	65308	Tab, Spring Casting Connecting	2
9	300358	Baffle, Bolt-On Deck RH	1
10	300357	Baffle, Bolt-On Deck LH	1
11	300359	Bracket, Roller Left Deck	1
12	67240	Roller, 3-3/4" Nylon Deck	1
13	B-254	Bolt, 5/8-11 x 7" Carriage PT Gr. 5 Clear Zinc	2
14	W-135	Washer, 5/8 Flat	2
15	N-156	Nut, 5/8-11 Nyloc Jam Gr. A Clear Zinc	3
16	30240-0	Roller, 7-1/2" Nylon Deck	1
17	B-255	Bolt, 5/8-11 x 9" Carriage PT Gr. 5 Clear Zinc	1
18	300356	Baffle, Deck Wiper	1
19	B-136	Bolt, 3/8-16 x 1-1/4" Carriage FT Gr. 5 Clear Zinc	1
20	B-223	Bolt, 3/8-16 x 2-1/4" Carriage FT Gr. 5 Clear Zinc	2
21	W-106	Washer, 3/8 Thick Fender	2
22	W-140	Washer, 5/8 ID x 1-5/8" OD Nylon	4
23	97139	Bushing, 3/8 x 5/8 x 3/4"	2
24	W-149	Washer, 5/8 Dish Spring	10
25	300324	Spring, Extension Swivel Hook 18.25 lb.	2
26	302615	Pulley Guard - 50" LH Black with No-Step Decal	1
27	302612	Pulley Guard - 50" RH Black with No-Step Decal	1
28	300184	Rod, Deck Idler Tension	1
29	B-108	Bolt, 3/8-16 x 1" HHCS Gr. 5 Clear Zinc	1
30	97390	Spring, 40 lb.	1
31	W-113	Washer, 5/16 Flat	1
32	N-107	Nut, 3/8-16 Nyloc Gr. A Clear Zinc	1
33	02311-00	Weld, Engine Deck Idler	1
34	W-111	Washer, 5/8 Lock	2
35	65278	Bushing, Brake Spacer 1/2 Long	2
36	301564	Pulley, 4.00" Flat Idler	1
37	300531	Washer, Safety Pulley Idler	1
38	B-181	Bolt, 5/8-11 x 2-1/2" HHCS PT Gr. 5 Clear Zinc	1
39	300471	Shim, Deck Idler	1
40	902970	Dust Shield, .655 ID x 2.00 IOD	1
41	B-306	Bolt, 5/8-11 x 5-1/2" HHCS PT Gr. 5 Clear Zinc	1
42	N-195	Nut, 5/8-11 Whizlock Flange	2
43	68225	Idler, Slide	1
44	W-112	Washer, 1/2" Lock	1
45	30224	Pulley, Flat Idler 4-3/4"	1
46	300571	Bushing, 1/2 x 5/8 x 11/16" Pulley	1
47	B-117	Bolt, 1/2-13 x 1-1/4" HHCS FT Gr. 5 Clear Zinc	1
48	30206	Bushing, 5/8 x 3/4 x 1-1/2" Bronze	2
49	F-102	Fitting, 1/4-28 Grease Fitting	1
50	300393	Bracket, Tension Spring	1
51	302604	Tube-0.625" OD X 0.385" ID X 2.106" L, Clear Zinc	16
52	B-391	Bolt - 3/8-16X5-1/2" CARR FT Gr.5	8
53	N-108	Nut, 3/8-16 Whiz	8
54	N-241	Nut, 3/8-16 Hex Flange Spirallock Gr.8, Clear Zinc	8

# Deck Spindles

## Outer Spindles



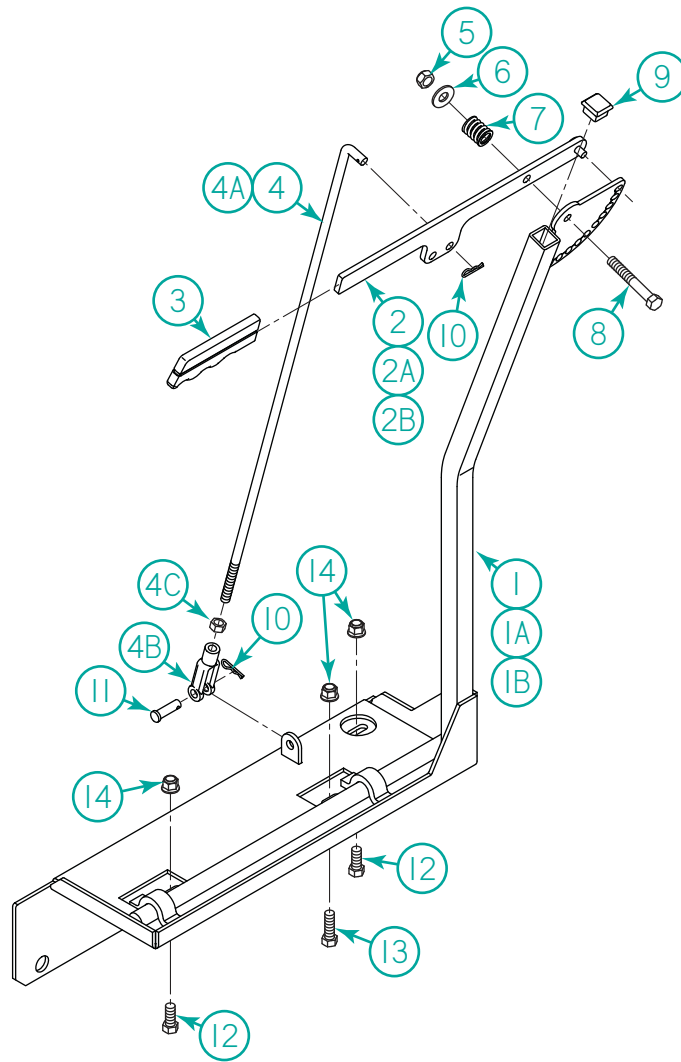
## Inner Spindle



# Deck Spindles

Item	Part No.	Description	Qty.
1	N-167	Nut, 1-14 Hex Jam	2
2	300470	Pulley, 8.5" x 1.00" Bore (72" Deck)	1
2A	9907750X100S	Pulley, 7.50 x 1.00" Bore (60" Deck)	1
2B	9907600X100S	Pulley, 6" x 1.00" Bore (50" Deck)	1
3	W-137	Washer, 1" ID x 2" OD Belleville	6
4	9907525X100S	Pulley, 5.25 x 1.00" Bore Split (50"/60" Deck)	3
4A	9907675X100S	Pulley, 6.75 x 1.00" Bore Split (72" Deck)	3
5	300442	Assembly, Hub Deck Sealed Long (Inner Spindle)	1
5A	300441	Assembly, Hub Deck Sealed (Outer Spindle)	2
6	300448	Bushing, Seal Hub Deck	3
7	788080	Ring, Retaining	6
8	300443	Seal, Oil Hub Deck	6
9	30218	Bearing, Hub	6
10	30219	Spacer, Hub Deck	3
11	30217-L	Shaft, Mower Long (Inner Spindle)	1
11A	30217	Shaft, Mower Short (Outer Spindles)	2
12	W-182	Washer, .656 ID x 2 OD x 1/4" Blade Spacer	6
13	W-101	Washer, 5/8" ID x 2-1/4" OD Fiber	3
14	30227-72X	Blade, X Style (72" Deck)	3
14A	30227-60X	Blade, X Style (60" Deck)	3
14B	30227-50X	Blade, X Style (50" Deck)	3
15	W-100	Washer, 5/8 ID x 2" OD Belleville	3
16	B-121-L	Bolt, 5/8-18 x 3" Blade	3
17	W-146	Washer, 1" ID x 1.75" OD x .25"	4
18	67225	Cap, Polyethylene	2
19	301372	Shield, Blade Spindle	3
20	F-102	Fitting, 1/4-28 Grease	3
21	300058	Fan (Includes 800056 Decal)	3
22	W-131	Washer, 1 ID x 1-1/2 OD x 1/8" Thick	1

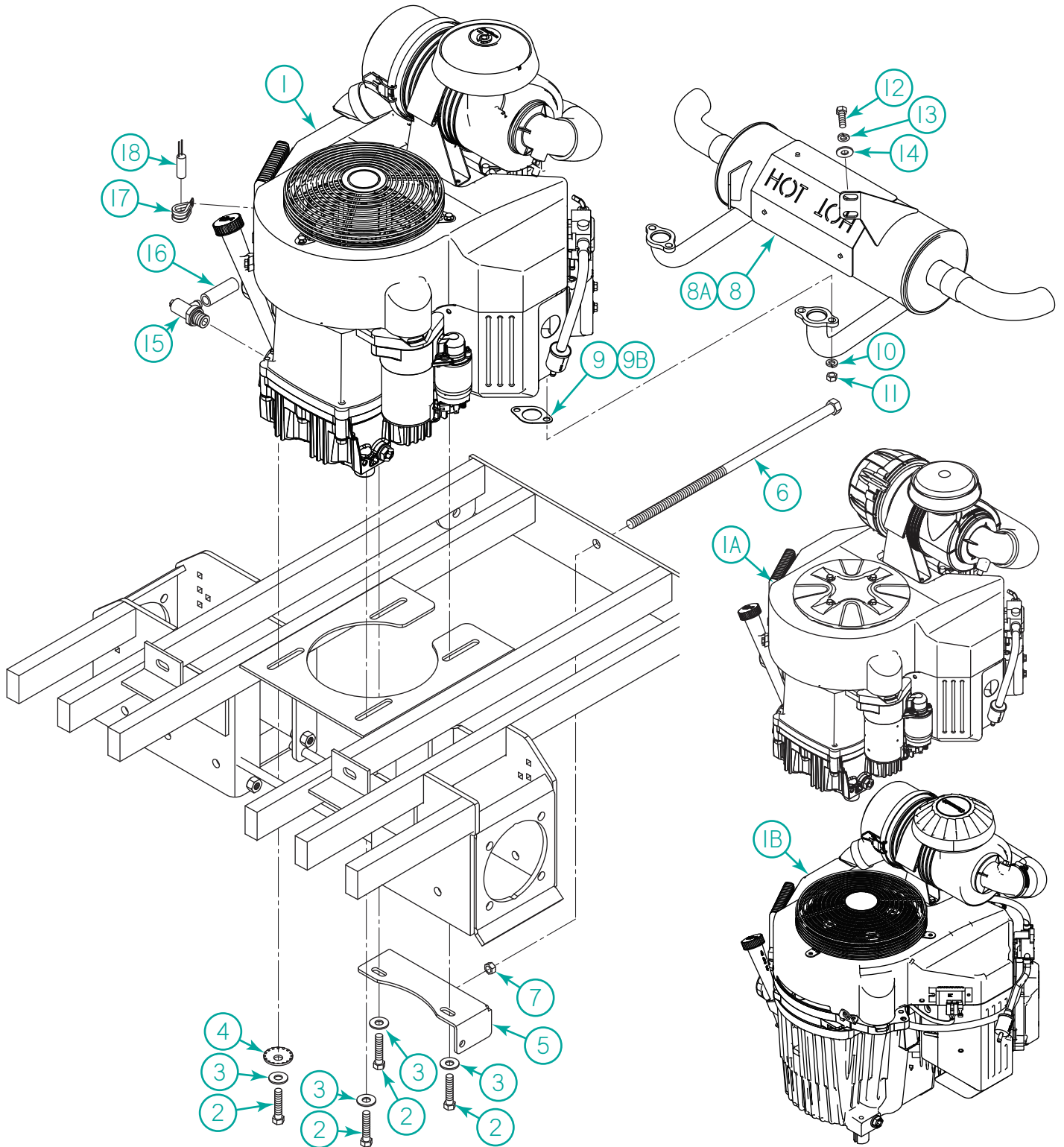
# OCDC



# OCDC

Item	Part No.	Description	Qty.
1	68122-50	Assembly, 50" OCDC (Incl 1, 2, 3, 4 and 5~11)	1
1A	300350	Assembly, 60" OCDC (Incl 1A, 2A, 3, 4A and 5~11)	1
1B	72122	Assembly, 72" OCDC (Incl 1B, 2A, 3, 4B and 5~11)	1
2	900098	Weldment, 50" OCDC Handle	1
2A	DUP-900014	Weldment, 60/72" OCDC Handle	1
3	67258	Grip, 1/4 x 1" Black	1
4	97122	Assembly, Adjustment Rod 50" (Incl 4B and 4C)	1
4A	DUP-68130	Assembly, Adjustment Rod 60/72" (Incl 4B and 4C)	1
4B	N-155	Nut, 3/8-24 Yoke	1
4C	N-184	Nut, 3/8-24 HHCS	1
5	N-107	Nut, 3/8-16 Nyloc	1
6	W-104	Washer, 3/8 Flat	1
7	20252	Spring	1
8	B-179	Bolt, 3/8-16 x 2-1/2" HHCS PT	1
9	68142	Plug, 1" Square Plug	1
10	20224	Clip, Pin Hair #13	2
11	P-102	Pin, 3/8 x 1-1/4" Clevis	1
12	B-135	Bolt, 3/8-16 x 1" HHCS FT Gr. 5	2
13	B-136	Bolt, 3/8-16 x 1-1/4" HHCS FT Gr. 5	1
14	N-216	Nut, 3/8-16 Flange Nyloc	3

# Kawasaki Engine

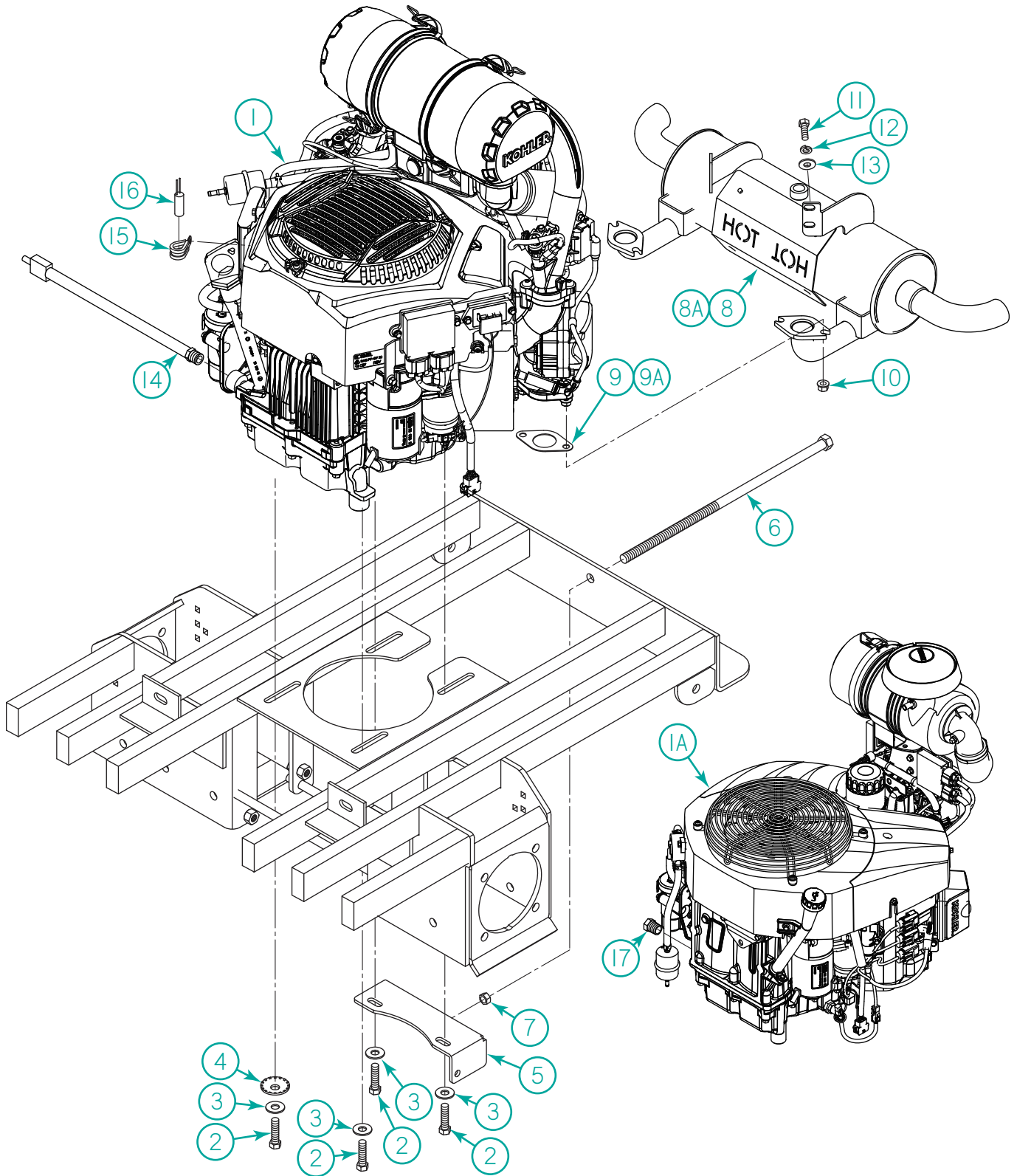




# Kawasaki Engine

Item	Part No.	Description	Qty.
1	600415	Engine, Kawasaki 27 HP FX850V	1
1	600507	Engine, Kawasaki 31 HP FX921V	1
1	600416	Engine, Kawasaki 35 HP FX1000V	1
2	B-436	Bolt, 3/8-16 x 1-1/2" HHCS FT Gr. 5 Clear Zinc	4
3	W-104	Washer, 3/8 Flat	4
4	W-158	Washer, 1/2 ID x 1-5/8" OD Tooth Belleville	1
5	600129	Weldment, Angle Engine Pull Back	1
6	B-354	Bolt, 1/2-13 x 13" HHCS PT Gr. 2 Clear Zinc	1
7	N-110	Nut, 1/2-13 Hex	1
8	600559	Muffler, Kawasaki 852 cc Dual	1
8	600558	Muffler, Kawasaki Dual (31 and 35 HP)	1
9	902038	Gasket, Muffler	2
9	902543	Gasket, Muffler (31 and 35 HP)	2
10	902547	Washer, 8 mm Spring	4
11	902548	Nut, M8 Hex	4
12	B-220	N-M8-1.25 x 20 HHCS FT Gr. 8.8 Clear Zinc	4
13	W-163	Washer, M8 Lock	4
14	W-161	Washer, M8 Flat	4
15	902018	Valve, Drain Assembly Kawasaki	1
16	600030	Hose, 1/2 ID x 3/4 OD Fuel Line/Inches	1
17	C-112	Clamp, 1/2" Rubber Coated	1
	500128	Harness, Kawasaki Engine Adapter ( Not Shown, Incl 18)	1
18	40229	Switch, Tilt (Non Hg)	1

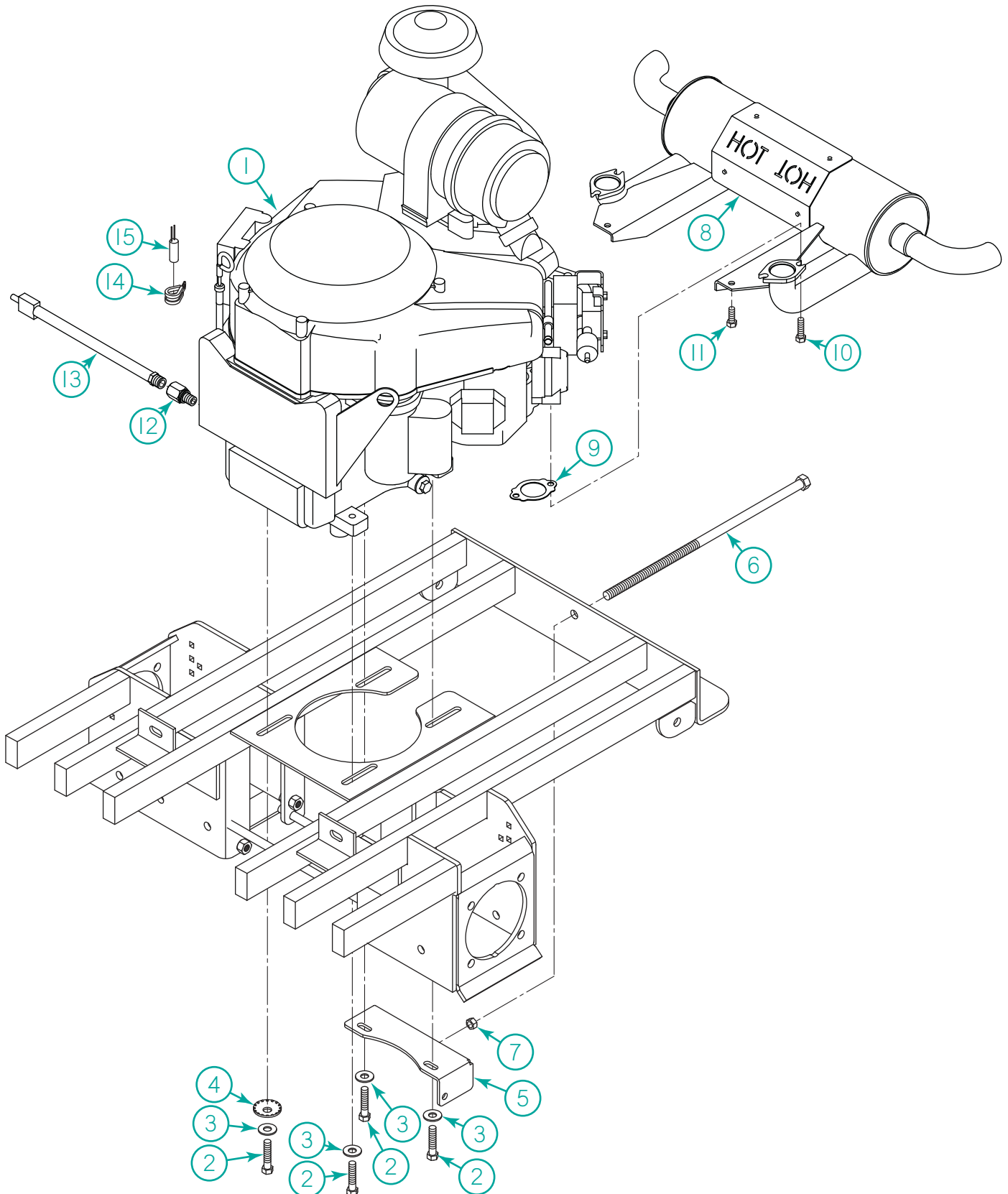
# Kohler EFI Engine



# Kohler EFI Engine

Item	Part No.	Description	Qty.
1	600566	Engine, Kohler 31 HP EFI Command Pro ECV870	1
1A	600547	Engine, Kohler 35 HP EFI Command Pro ECV940	1
2	B-109	Bolt, 3/8-16 x 1-1/4" HHCS FT Gr. 5 Clear Zinc	4
3	W-104	Washer, 3/8 Flat	4
4	W-158	Washer, 1/2 ID x 1-5/8" OD Tooth Belleville	1
5	600129	Weldment, Angle Engine Pull Back	1
6	B-354	Bolt, 1/2-13 x 13" HHCS PT Gr. 2 Clear Zinc	1
7	N-110	Nut, 1/2-13 Hex	1
8	DUP-600554	Muffler, Kohler 824cc EFI Dual	1
8A	DUP-600553	Muffler, Kohler 999cc EFI Dual	1
9	902949	Gasket, Muffler	2
9A	902950	Gasket, 999cc Muffler	2
10	901277	Nut, M8-1.25 Hex Flange	4
11	B-220	Screw, M8-1.25 x 20 HHCS FT Gr. 8.8 Clear Zinc (31 HP Engine)	4
12	W-163	Washer, M8 Lock (31 HP Engine)	4
13	W-161	Washer, M8 Flat (31 HP Engine)	4
14	600436	Hose, Oil Pan Drain w/ E-Z Valve	1
15	C-112	Clamp, 1/2" Rubber Coated	1
	500159	Harness, Kohler EFI Engine Adapter (Not Shown, Incl 16)	1
16	40229	Switch, Tilt (Non Hg)	1
17	200269	Fitting, 1/2" MPT x 3/8" FPT (35 HP Engine)	1

# 36 HP Briggs Engine



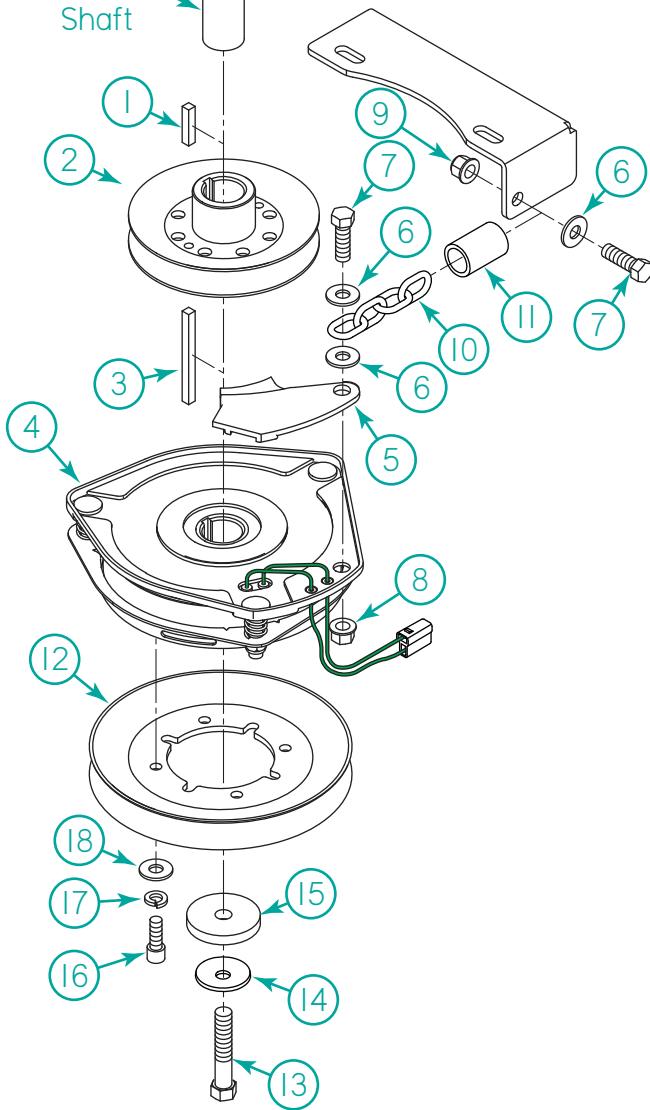
# 36 HP Briggs Engine

Item	Part No.	Description	Qty.
1	DUP-600530	Engine, Briggs 36 HP 993cc Vanguard	1
2	B-158	Bolt, 3/8-16 x 1-1/2" HHCS PT Gr. 5 Clear Zinc	4
3	W-104	Washer, 3/8 Flat	4
4	W-158	Washer, 1/2 ID x 1-5/8" OD Tooth Belleville	1
5	600129	Weldment, Angle Engine Pull Back	1
6	B-354	Bolt, 1/2-13 x 13" HHCS PT Gr. 2 Clear Zinc	1
7	N-110	Nut, 1/2-13 Hex	1
8	600534	Muffler, Briggs Vanguard 993cc Dual	1
9	902939	Gasket, 999cc Muffler	2
10	902940	Bolt, M8 x 25 mm	4
11	902942	Bolt, M8 x 18 mm	
12	600564	Fitting, M14-1.5 Male x 3/8" FPT	1
13	600436	Hose, Oil Pan Drain w/ E-Z Valve	1
14	C-112	Clamp, 1/2" Rubber Coated	1
	DUP-500191	Harness, Briggs Engine Adapter (Not Shown, Incl 16)	1
15	40229	Switch, Tilt (Non Hg)	1

# Clutch Stack

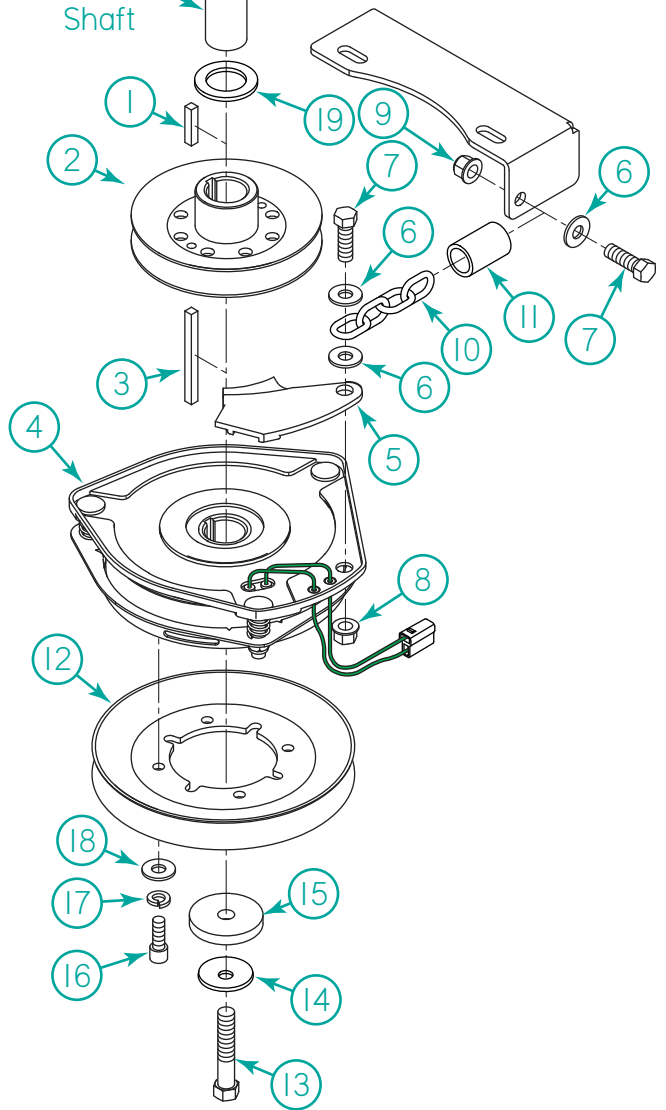
All Engines Except 35 HP Kohler

Engine Shaft



35 HP Kohler Engine

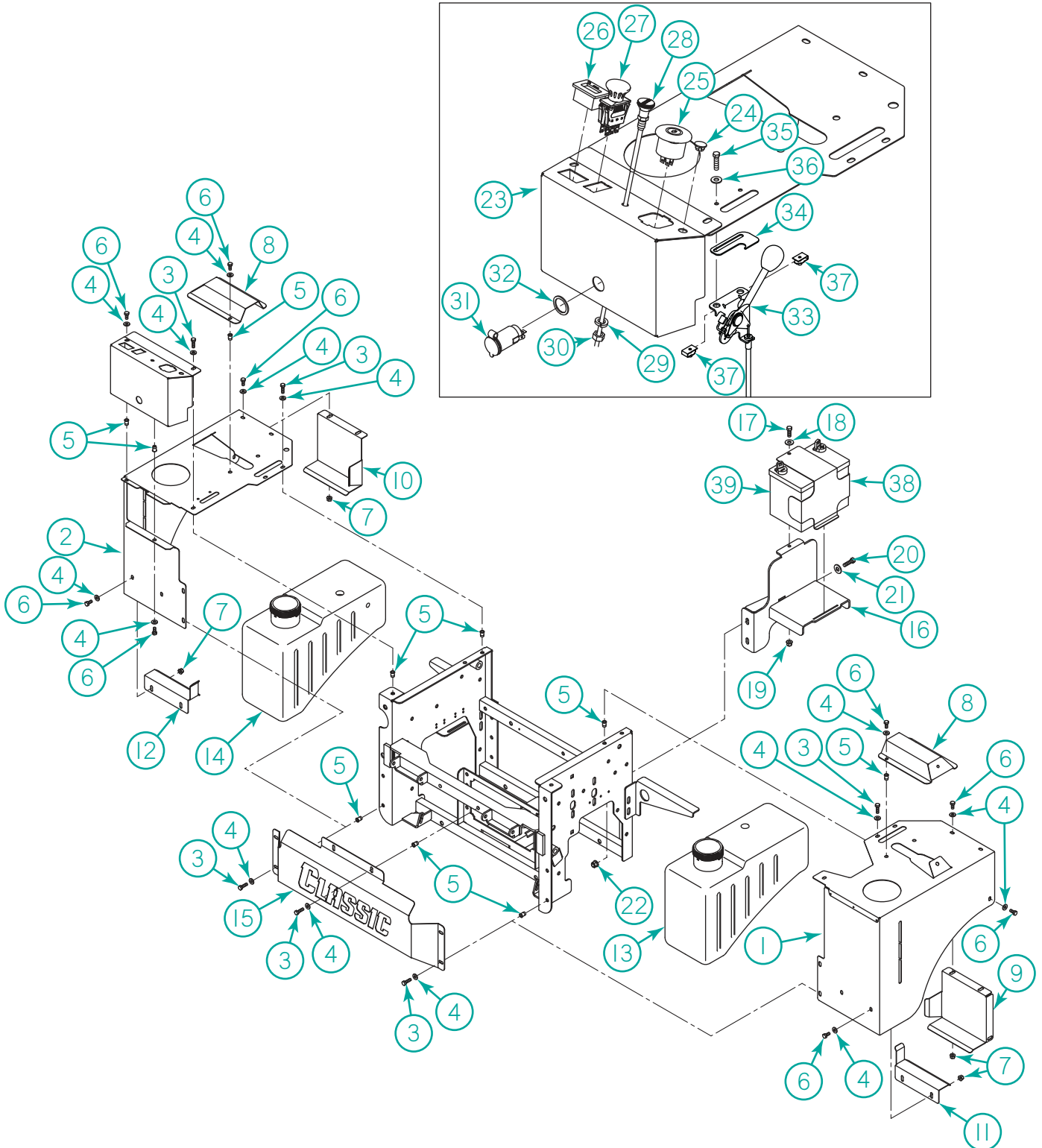
Engine Shaft



# Clutch Stack

Item	Part No.	Description	Qty.
1	K-103	Key, 1/4 x 1" Square	1
2	200911	Pulley, 4.867 EDB x 1-1/8" Bore	1
3	K-100	Key Stock, 1/4 x 2-1/2"	1
4	500095	Clutch, Ogura GT3.5-DC01	1
5	500117	Cover, Ogura Clutch Wire	1
6	W-113	Washer, 5/16 Flat	3
7	B-108	Bolt, 3/8-16 x 1" HHCS FT Gr. 5, Clear Zinc	2
8	N-108	Nut, 3/8-16 Whizlock Flange	1
9	N-216	Nut, 3/8-16 Flange Nyloc Gr. A Clear Zinc	1
10	500118	Chain, Passing 2/0 4 Link Plated	1
11	600379	Hose, Clear 3/4" ID x 1" OD	1
12	600361	Pulley, 6.75" Ogura Clutch	1
13	B-273	Bolt, 7/16-20 x 2-1/2" HHCS PT Gr. 8 Yellow Zinc	1
14	W-144	Washer, 7/16 SS Belleville	1
15	600422	Spacer, .460 ID x 2.00 OD x .25 Th	1
16	B-221	Bolt, M8-1.25 x 20 mm SHCS Gr. 12.9 No Plating	4
17	W-163	Washer, M8 Lock	4
18	W-161	Washer, M8 Flat	4
19	W-145	Washer, 1-1/8 x 1-3/4" Flat (35 HP Kohler Engine Only)	1

# 50/60 in. Fenders

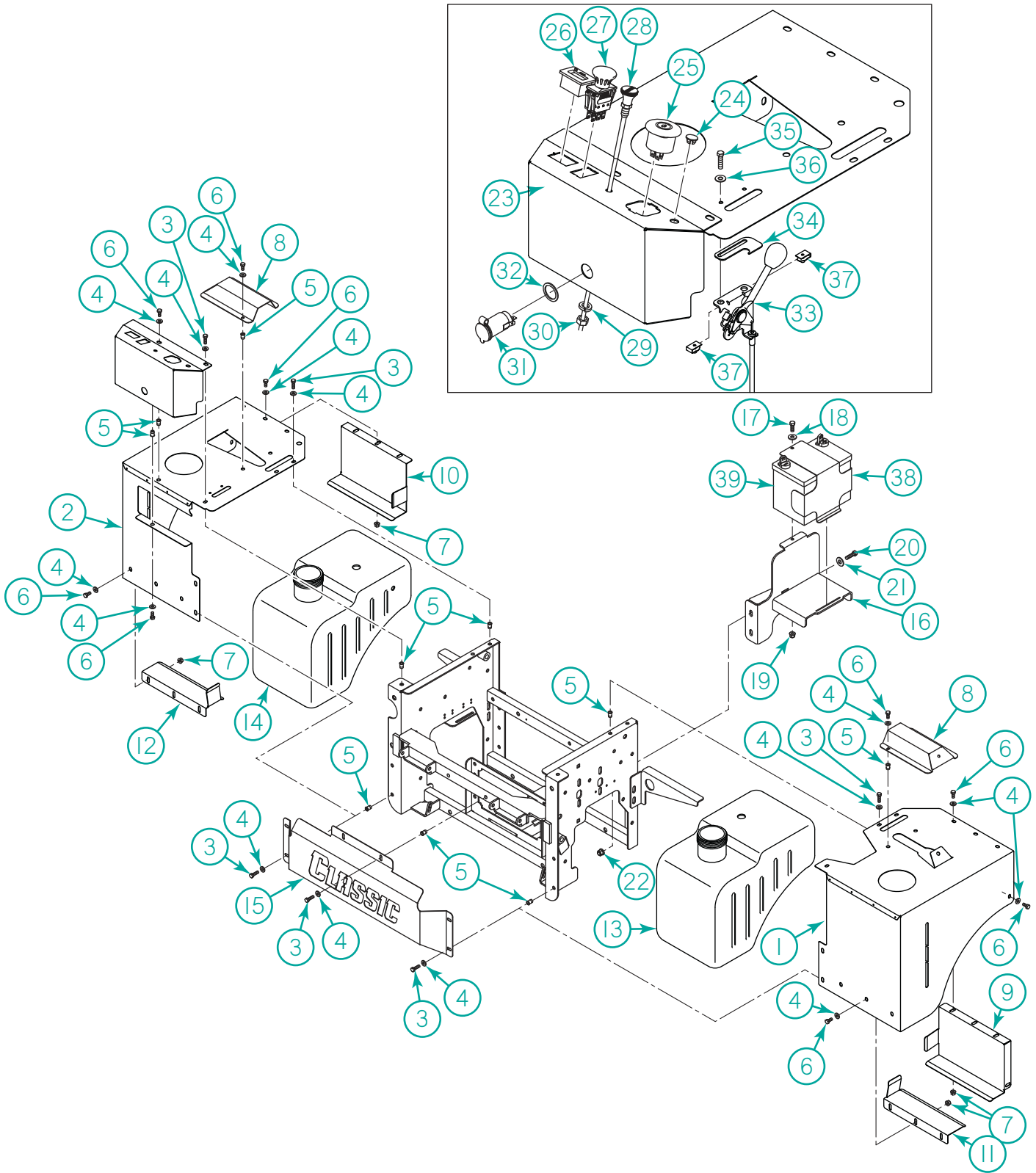




# 50/60 in. Fenders

Item	Part No.	Description	Qty.
1	401785	Fender, Left Side 4 Gal. Tank	1
2	401786	Fender, Right Side 4 Gal. Tank	1
3	B-209	Bolt, 1/4-20 x 3/4" SS HHCS	12
4	W-153	Washer, 1/4 SS Flat	30
5	N-152S	Nutsert, 1/4-20 Flange (.027-165)	19
6	B-103	Bolt, 1/4-20 x 1/2" HHCS Stainless	18
7	N-101	Nut, 1/4-20 SS Whizlock Flange	8
8	401837	Bracket, Remote Vent Cover	2
9	400471	Bracket, Left Rear 4 Gal. Tank	1
10	DUP-400470	Bracket, Right Rear 4 Gal. Tank	1
11	DUP-400469	Bracket, Left Front 4 Gal. Tank	1
12	DUP-400468	Bracket, Right Front 4 Gal. Tank	1
13	401809	Assm, Left Side 4 Gal. Fuel Tank	1
14	DUP-401122	Assm, Right Side 4 Gal. Fuel Tank	1
15	DUP-402008	Panel, Classic Front	1
16	401791	Weld, Battery Holder Black	1
17	B-107	Bolt, 5/16-18 x 3/4" HHCS FT Gr. 5 Clear Zinc	1
18	W-113	Washer, 5/16 Flat	1
19	N-217	Nut, 5/16-18 Flange Nyloc Gr. A Clear Zinc	1
20	B-108	Bolt, 3/8-16 x 1" HHCS FT Gr. 5 Clear Zinc	2
21	W-104	Washer, 3/8 Flat	2
22	N-216	Nut, 3/8-16 Flange Nyloc Gr. A Clear Zinc	2
23	401794	Bracket, Gauge Panel 4 Gal. Tank	1
24	DUP-400266	Plug, Snap-In Plastic Black 1/2"	1
25	500017	Switch, Ignition	1
26	DUP-500193	Meter, Hour/Tach/Volt Non-EFI	1
26A	500195	Meter, Hour/Tach/Volt EFI	1
27	4174684	Switch, PTO	1
28	600072	Cable, 63" Choke (Incl. 29-30) (Non-EFI Engine)	1
28A	400227	Plug, Panel (EFI Engines)	1
29	W-105	Washer, 3/8 Lock	1
30	N-184	Nut, 3/8-24 HHCS Gr. 2 Clear Zinc	1
31	DUP-500053	Plug, Accessory	1
32	400291	Washer, Receptacle	1
33	401590	Assembly, Full Detent Throttle	1
34	401833	Bracket, Throttle Stop	1
35	B-203	Bolt, #10-24 x 3/4" HHCS FT SS	2
36	W-152	Washer, #10 Flat SS	2
37	C-105	Clip, #10-24 Nut	2
38	401792	Bracket, Battery Tie Down	1
39	500194	Battery, Small 350 CCA	1
40	500145	Harness-Wiring XC Main Rope (Not Shown)	1
41	500197	Cable - Battery, Negative, 14" (Not Shown)	1
42	500200	Asm - Cable - Battery, Positive, 18", Boot (Not Shown)	1

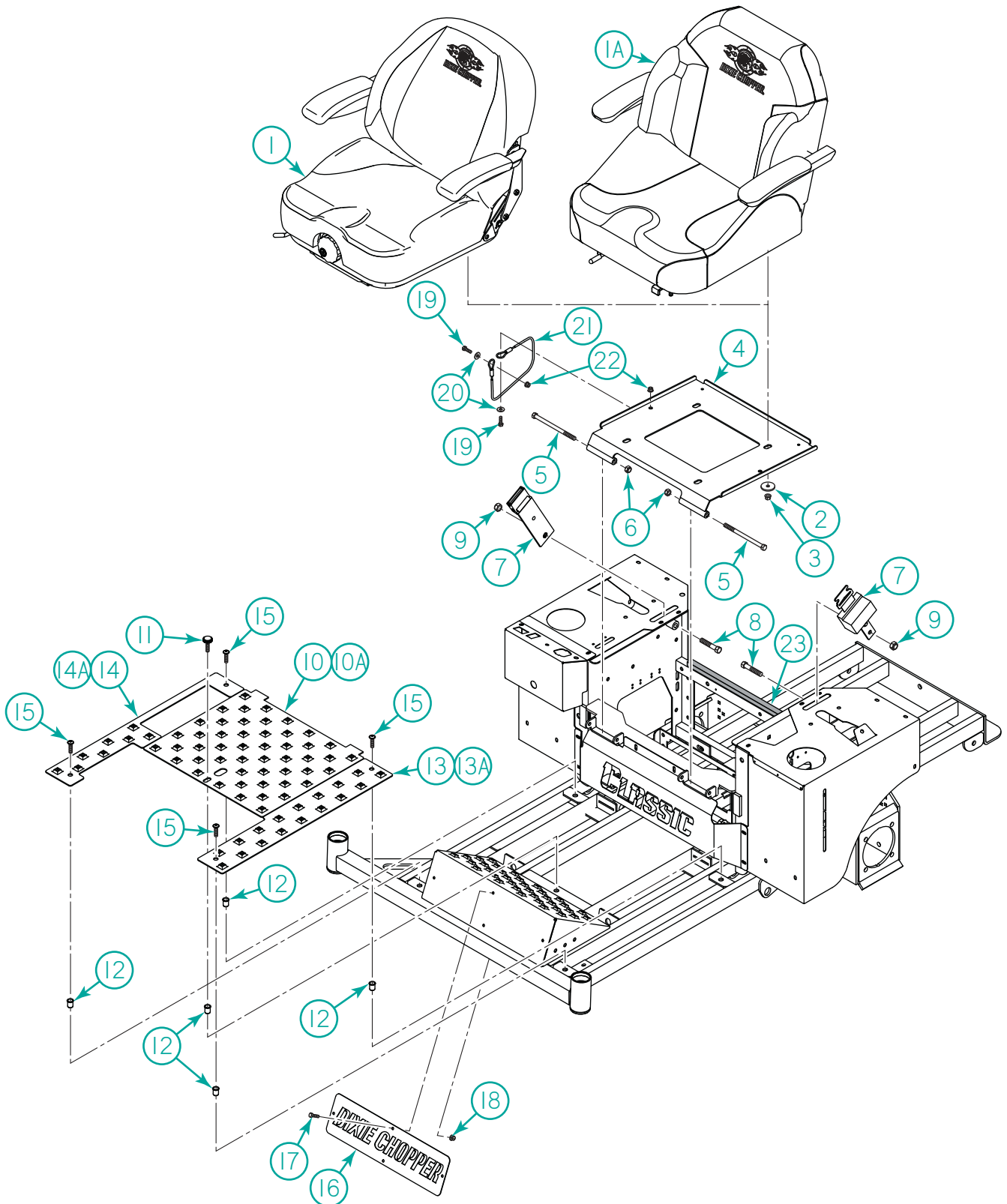
# 72 in. and HP Model Fenders



# 72 in. and HP Model Fenders

Item	Part No.	Description	Qty.
1	401629	Fender, Left Side 7 Gal. Tank	1
2	401630	Fender, Right Side 7 Gal. Tank	1
3	B-209	Bolt, 1/4-20 x 3/4" SS HHCS	14
4	W-153	Washer, 1/4 SS Flat	30
5	N-152S	Nutsert, 1/4-20 Flange (.027-165)	19
6	B-103	Bolt, 1/4-20 x 1/2" HHCS Stainless	20
7	N-101	Nut, 1/4-20 SS Whizlock Flange	10
8	401837	Bracket, Remote Vent Cover	2
9	400505	Bracket, Left Rear 7 Gal. Tank	1
10	400504	Bracket, Right Rear 7 Gal. Tank	1
11	400503	Bracket, Left Front 7 Gal. Tank	1
12	400502	Bracket, Right Front 7 Gal. Tank	1
13	401569	Assm, Left Side 7 Gal. Fuel Tank	1
14	401568	Assm, Right Side 7 Gal. Fuel Tank	1
15	DUP-402008	Panel, Classic Front	1
16	401791	Weld, Battery Holder Black	1
17	B-107	Bolt, 5/16-18 x 3/4" HHCS FT Gr. 5 Clear Zinc	1
18	W-113	Washer, 5/16 Flat	1
19	N-217	Nut, 5/16-18 Flange Nyloc Gr. A Clear Zinc	1
20	B-108	Bolt, 3/8-16 x 1" HHCS FT Gr. 5 Clear Zinc	2
21	W-104	Washer, 3/8 Flat	2
22	N-216	Nut, 3/8-16 Flange Nyloc Gr. A Clear Zinc	2
23	400577	Bracket, Gauge Panel 7 Gal. Tank	1
24	400266	Plug, Snap-In Plastic Black 1/2"	1
25	500017	Switch, Ignition	1
26	DUP-500193	Meter, Hour/Tach/Volt Non-EFI	1
26A	500195	Meter, Hour/Tach/Volt EFI	1
27	4174684	Switch, PTO	1
28	600072	Cable, 63" Choke (Incl. 29-30) (Non-EFI Engine)	1
28A	400227	Plug, Panel (EFI Engine)	1
29	W-105	Washer, 3/8 Lock	1
30	N-184	Nut, 3/8-24 HHCS Gr. 2 Clear Zinc	1
31	DUP-500053	Plug, Accessory	1
32	400291	Washer, Receptacle	1
33	401590	Assembly, Full Detent Throttle	1
34	401833	Bracket, Throttle Stop	1
35	B-203	Bolt, #10-24 x 3/4" HHCS FT SS	2
36	W-152	Washer, #10 Flat SS	2
37	C-105	Clip, #10-24 Nut	2
38	401792	Bracket, Battery Tie Down	1
39	500194	Battery, Small 350 CCA	1
40	500145	Harness-Wiring XC Main Rope (Not Shown)	1
41	500197	Cable - Battery, Negative, 14" (Not Shown)	1
42	500200	Asm - Cable - Battery, Positive, 18", Boot (Not Shown)	1

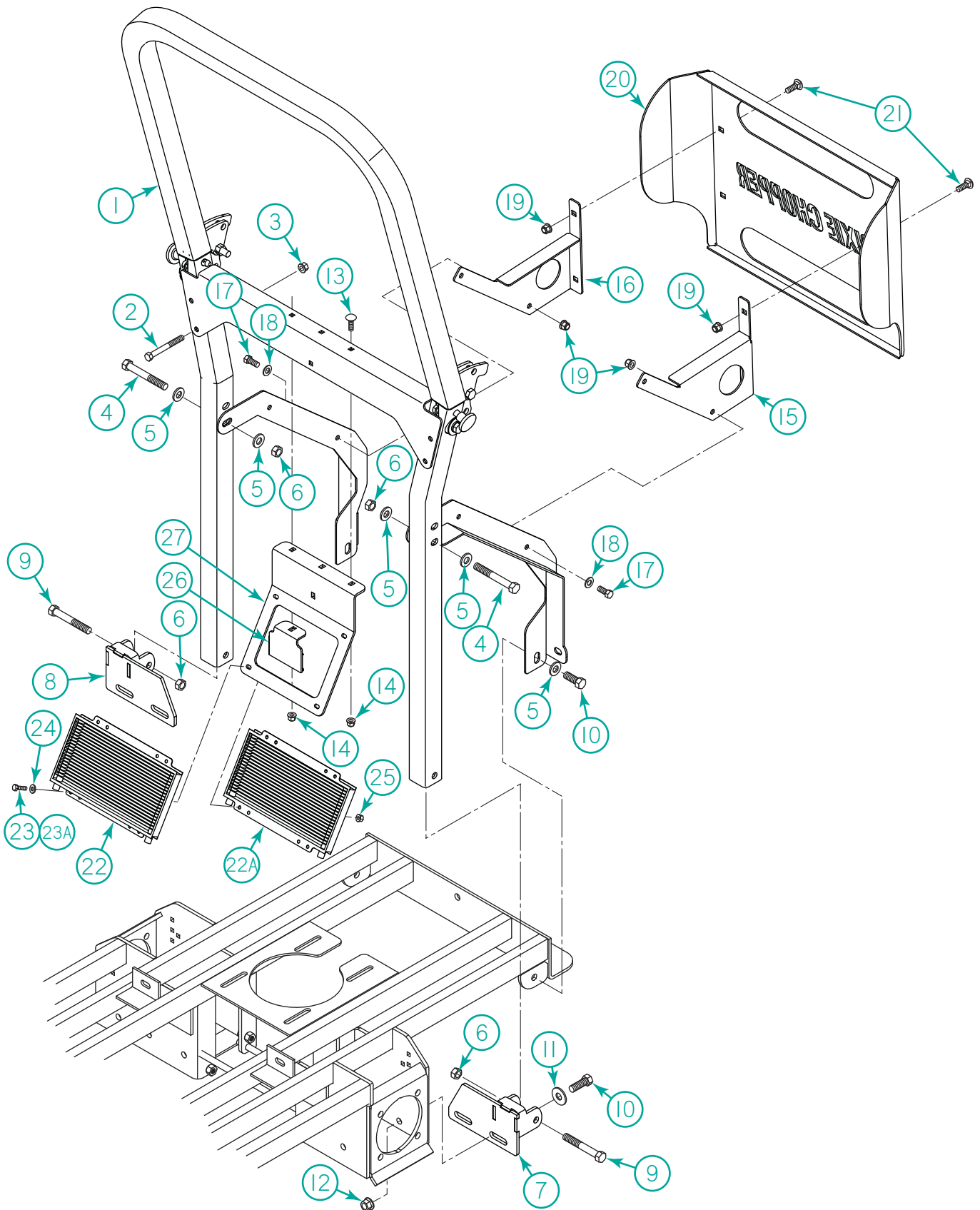
# Seat Pan



# Seat Pan

Item	Part No.	Description	Qty.
1	401962	Seat, SK261 Dixie Chopper (50 and 60" Models)	1
1A	DUP-402006	Seat w/ Suspension (72" and HP Models)	1
2	W-118	Washer, 5/16 Fender	4
3	N-103-W	Nut, 5/16-18 Whizlock Flange	4
4	DUP-400420	Weld, Seat Pan	1
5	B-229	Bolt, 3/8-16 z 5" HHCS PT	2
6	N-107	Nut, 3/8-16 Nyloc	2
7	900388	Seat Belt (Incl Latching and Retracting Halves)	1
8	B-199	Bolt, 7/16-20 x 2" HHCS PT Gr. 8 Zinc	2
9	N-135	Nut, 7/16-20 Nyloc	2
10	401752	Plate, Center Floor Pan (50 and 60" Models)	1
10A	401798	Plate, Center Floor Pan (72" Models)	1
11	902959	Knob, 1" Round Knurled with 5/16-18 x 7/8" Stud	1
12	N-153	Nutsert, 5/16-18	5
13	401749	Plate, Left Floor Pan (50 and 60" Models)	1
13A	401797	Plate, Left Floor Pan (72" Models)	1
14	401748	Plate, Right Floor Pan (50 and 60" Models)	1
14A	401802	Plate, Right Floor Pan (72" Models)	1
15	B-338	Bolt, 5/16-18 x 1" SHCS Button Flange	4
16	401717	Plate, Dixie Chopper Cutout	1
17	B-209	Bolt, 1/4-20 x 3/4" SS	4
18	N-219	Nut, 1/4-20 Flange Nyloc Gr. A Clear Zinc	4
19	B-102	Bolt, 1/4-20 x 3/4" HHCS FT Gr. 5 Zinc	4
20	W-102	Washer, 1/4 Flat	4
21	402018	Cable, Seat	2
22	N-102	Nut, 1/4-20 Whizlock Flange	4
23	65044	Foam, 1/2 x 3/4"	1

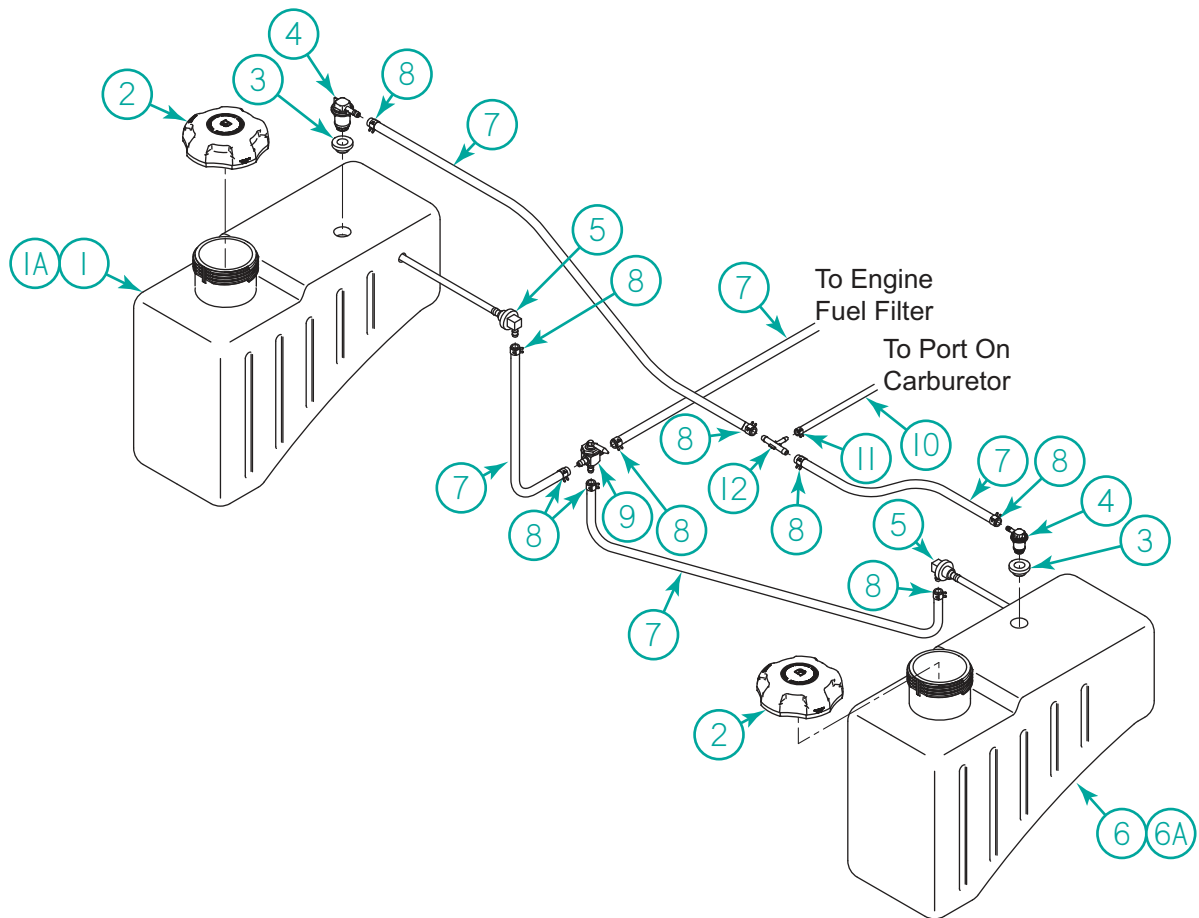
# Roll Bar



# Roll Bar

Item	Part No.	Description	Qty.
1	902967	Assembly, Roll Bar	1
2	B-179	Bolt, 3/8-16 x 2-1/2" HHCS PT Gr. 5 Zinc	4
3	N-206	Nut, 3/8-16 Reg Flange Top Zinc	4
4	B-348	Bolt, 1/2-13 x 3-1/4" HHCS PT	2
5	W-197	Washer, 1/2 Flat SAE Zinc	6
6	N-146	Nut, 1/2-13 Stover Lock	4
7	900321	Weld, LH Roll Bar Mounting Bracket	1
8	900320	Weld, RH Roll Bar Mounting Bracket	1
9	B-119	Bolt, 1/2-13 x 3" HHCS PT Gr. 5 Zinc	2
10	B-117	Bolt, 1/2-13 x 1-1/4" HHCS	6
11	W-109	Washer, 1/2 Flat	4
12	N-157	Nut, 1/2-13 Whizlock Flange	4
13	B-104	Bolt, 5/16-18 x 3/4" Gr. 5 Zinc Carriage	4
14	N-217	Nut, 5/16-18 Flange Nyloc Gr. A Clear Zinc	4
15	401111	Bracket, LH Crash Guard Mount	1
16	401112	Bracket, RH Crash Guard Mount	1
17	B-137	Bolt, 3/8-16 x 3/4" HHCS FT Gr. 5 Zinc	4
18	W-160	Washer, M10 Flat	4
19	N-216	Nut, 3/8-16 Flange Nyloc Gr. A Clear Zinc	8
20	400519	Guard, Bolt On Crash	1
21	B-110	Bolt, 3/8-16 x 3/4" FT Gr. 5 Zinc Carriage	4
22	60103-L	Cooler, Short Oil	1
22A	60103-L	Cooler, Short Oil (72" Models Only)	1
23	B-103	Bolt, 1/4-20 x 1/2" HHCS SS (50/60" Models)	4
23A	B-209	Bolt, 1/4-20 x 3/4" HHCS SS (72" Models)	4
24	W-153	Washer, 1/4 SS Flat	4
25	N-101	Nut, 1/4-20 SS Whizlock Flange	4
26	401998	Bracket, Charcoal Canister	1
27	200889	Bracket, Cooler	1

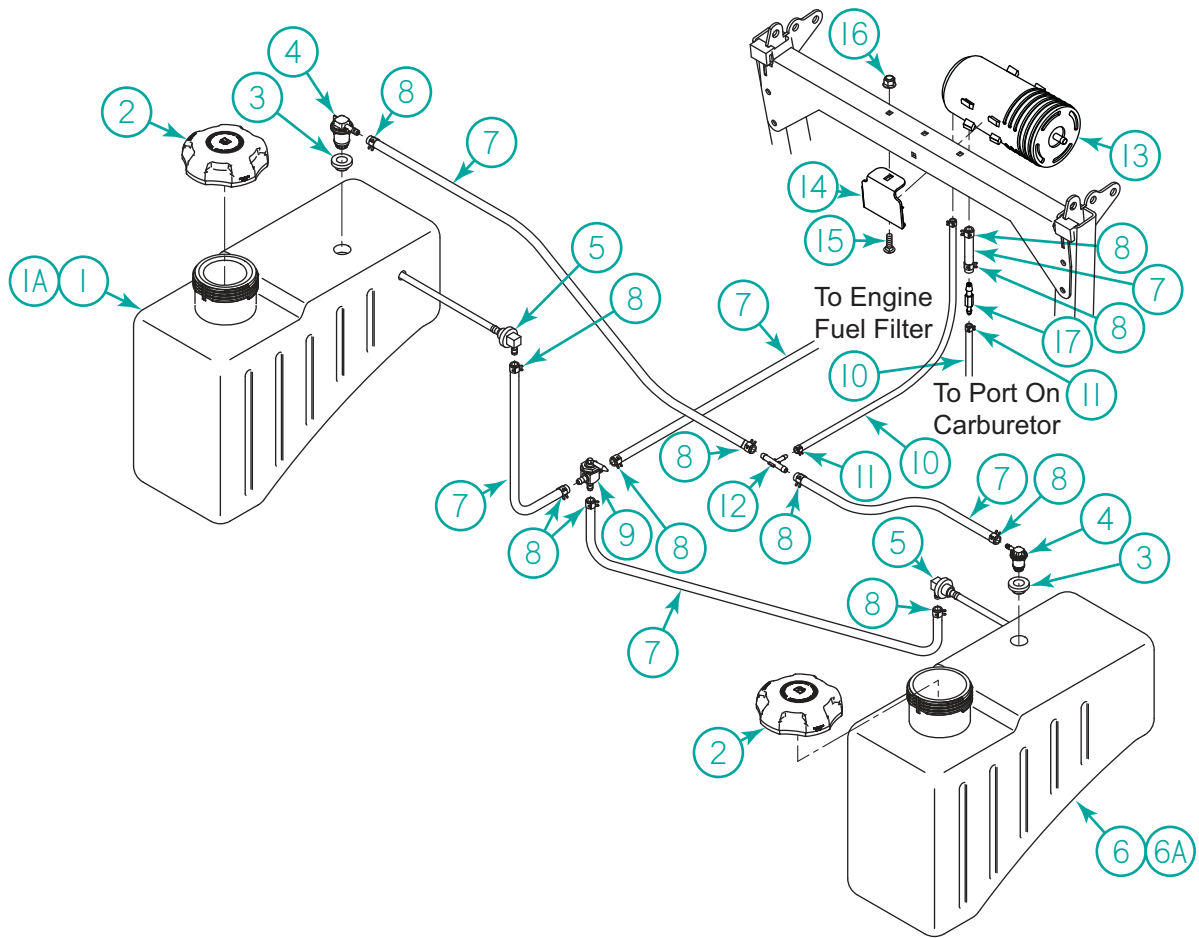
# Fuel System - 49 State



Item	Part No.	Description	Qty.
1	DUP-401122	Asm, Fuel Tank RH 4 Gal. (Incl Items 2-5) (50/60" Models)	1
1A	401568	Asm, Fuel Tank RH 7 Gal. (Incl Items 2-5) (72" and HP Models)	1
2	400885	Cap, Fuel Tank, 3.5" Ratchet, 1 Way Check	2
3	DUP-600595	Valve, Remote Vent, 1/4" Barb	2
4	600456	Grommet, Rollover Nitrile	2
5	400360	Asm, Tank Adapter 20"	2
6	401809	Asm, Fuel Tank LH 4 Gal. (Incl Items 2-5) (50/60" Models)	1
6A	401569	Asm, Fuel Tank LH 7 Gal. (Incl Items 2-5) (72" and HP Models)	1
7	600398	Hose, Gas Line 1/4" EPA 15 g/m <sup>2</sup> /24h	/IN
8	40213	Clamp, 1/4" Hose (Red)	9
9	400358	Valve, Ball Reserve	1
10	600399	Hose, Gas Line 3/16" EPA 15g/m <sup>2</sup> /24h	/IN
11	C-125	Clamp, Spring Hose 3/16	2
12	902982	Fitting, Plastic Tee 1/4 x 1/4 On Run by 3/16	1

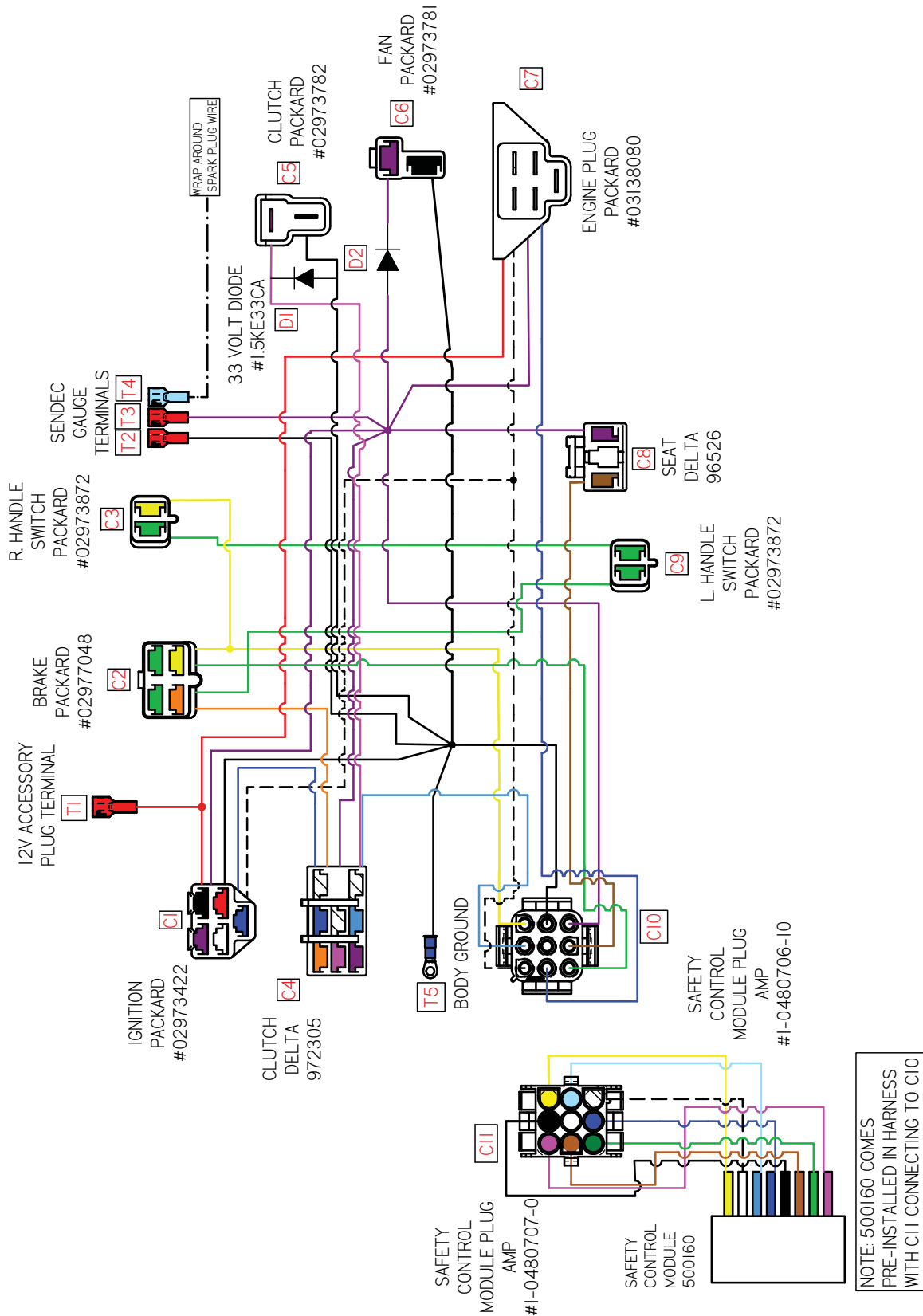


# Fuel System -CA Models

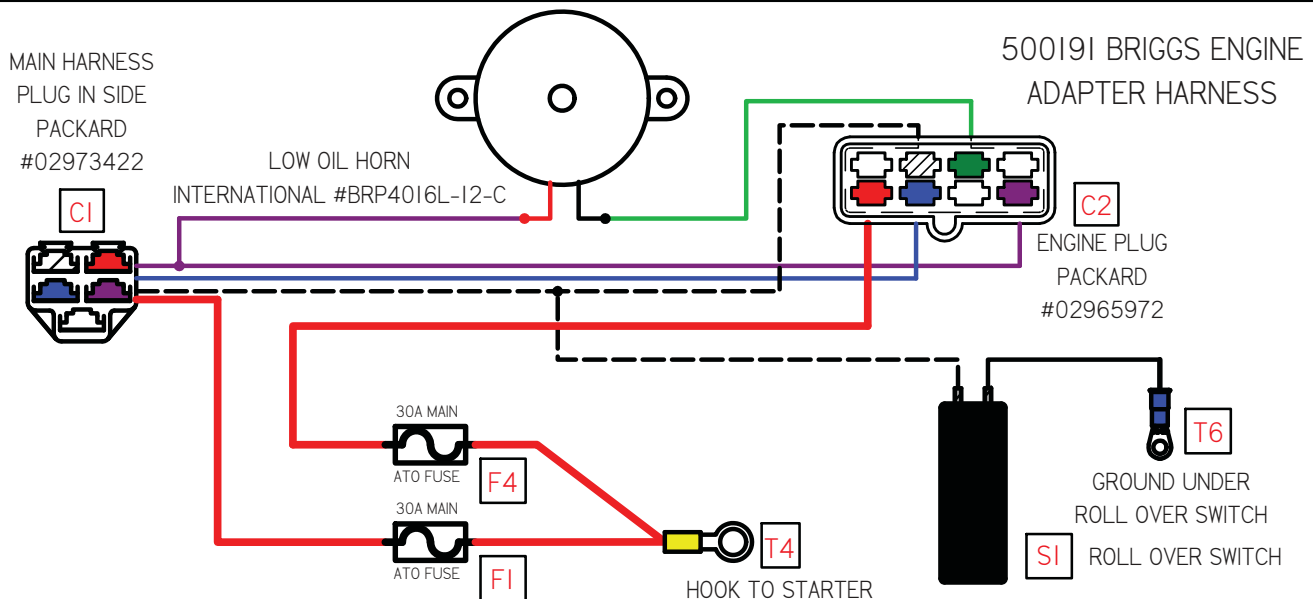
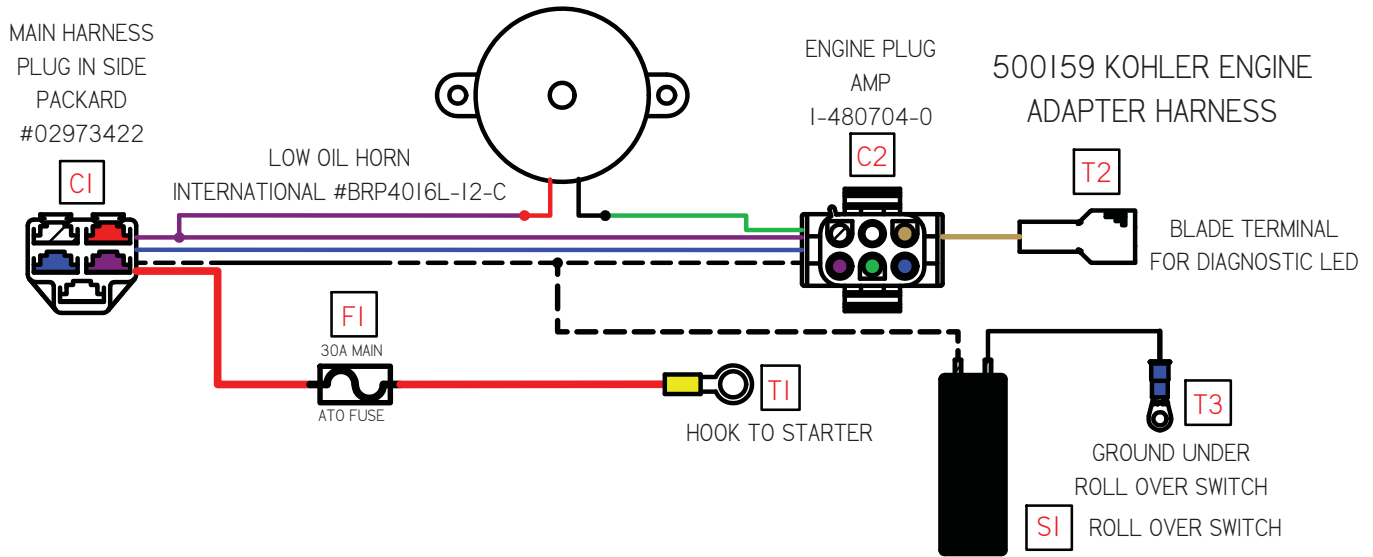
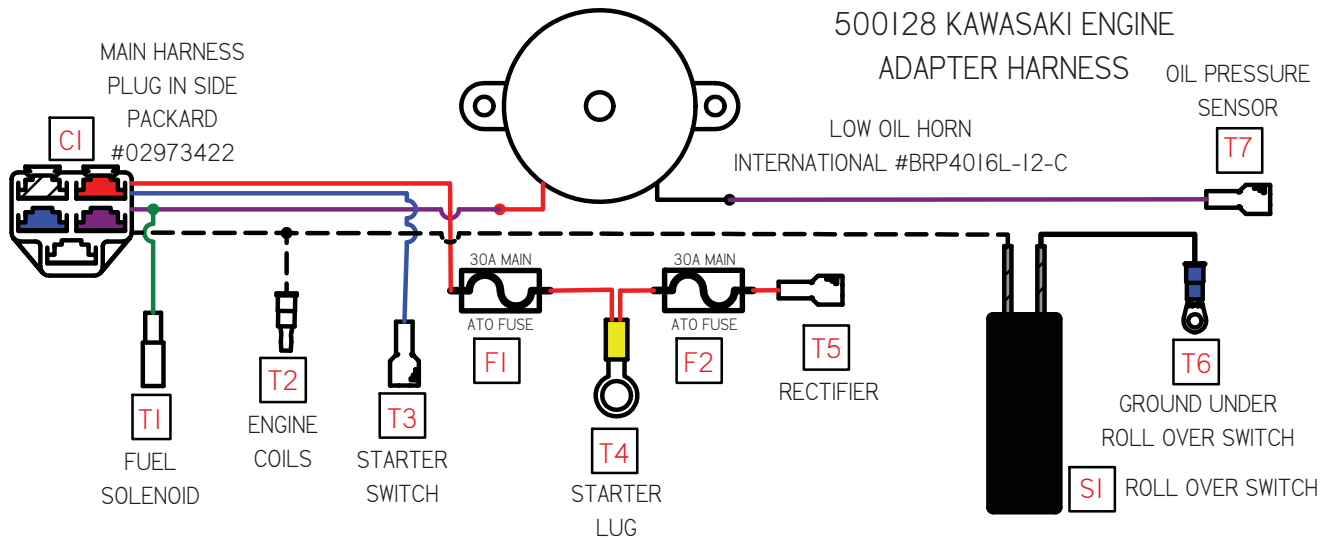


Item	Part No.	Description	Qty.
1	DUP-401122	Asm, Fuel Tank RH 4 Gal. (Incl Items 2-5)	1
1A	401568	Asm, Fuel Tank RH 7 Gal. (Incl Items 2-5) (72" and HP Models)	1
2	400885	Cap, Fuel Tank, 3.5" Ratchet, 1 Way Check	2
3	DUP-600595	Valve, Remote Vent, 1/4" Barb	2
4	600456	Grommet, Rollover Nitrile	2
5	400360	Asm, Tank Adapter 20"	2
6	401809	Asm, Fuel Tank LH 4 Gal. (Incl Items 2-5)	1
6A	401569	Asm, Fuel Tank LH 7 Gal. (Incl Items 2-5) (72" and HP Models)	1
7	600398	Hose, Gas Line 1/4" EPA 15 g/m <sup>2</sup> /24h	/IN
8	40213	Clamp, 1/4" Hose (Red)	9
9	400358	Valve, Ball Reserve	1
10	600399	Hose, Gas Line 3/16" EPA 15g/m <sup>2</sup> /24h	/IN
11	C-125	Clamp, Spring Hose 3/16	2
12	902982	Fitting, Plastic Tee 1/4 x 1/4 On Run by 3/16	1
13	4221120	Canister, 800cc Carbon	1
14	401998	Weldment, Canister Mount Black	1
15	B-104	Bolt, 5/16-18 x 3/4" Carriage	1
16	N-217	Nut, 5/16-18 Flange Nyloc	1
17	902983	Reducer 1/4 x 3/16"	1

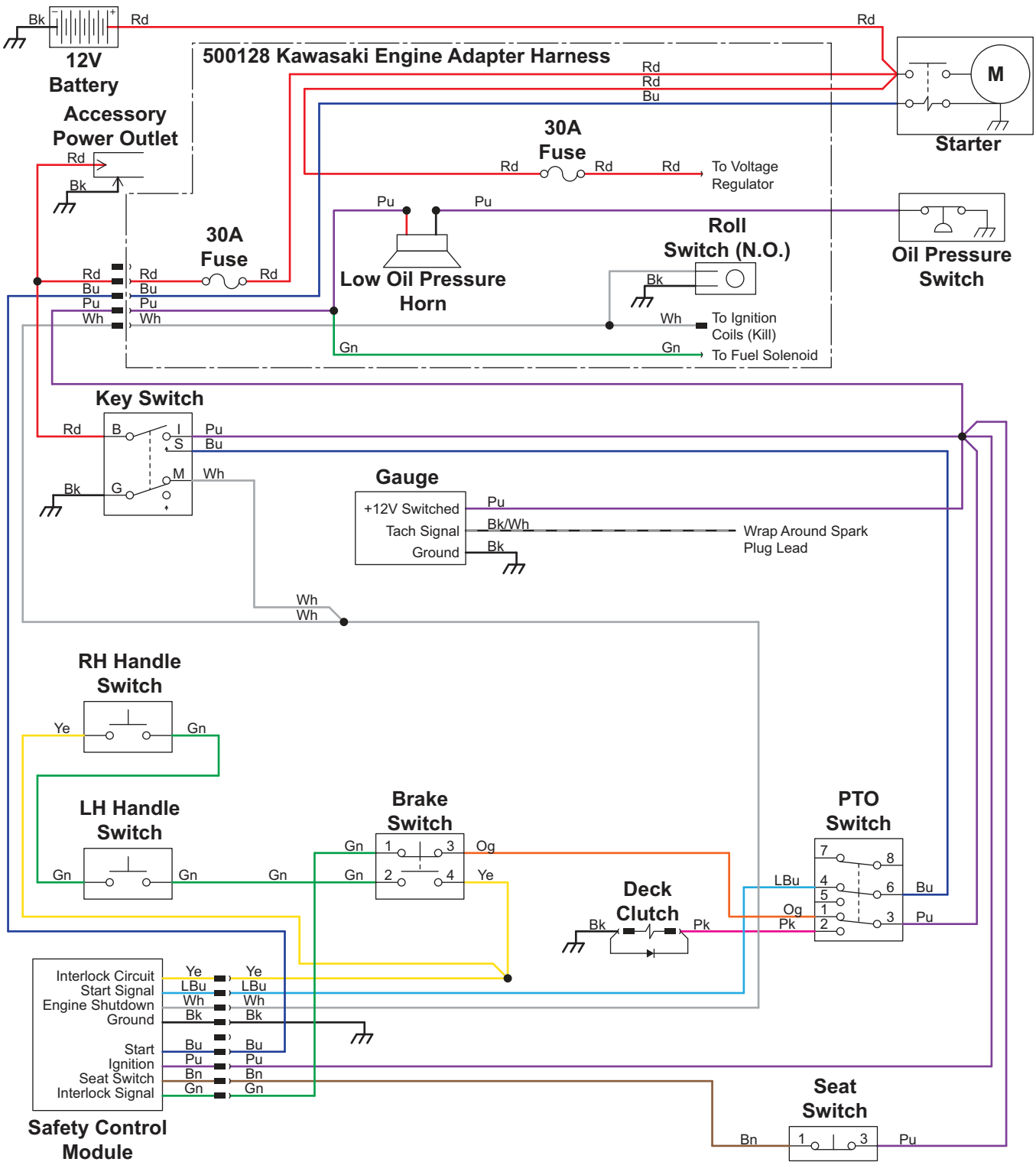
# Wiring Diagram (Main)



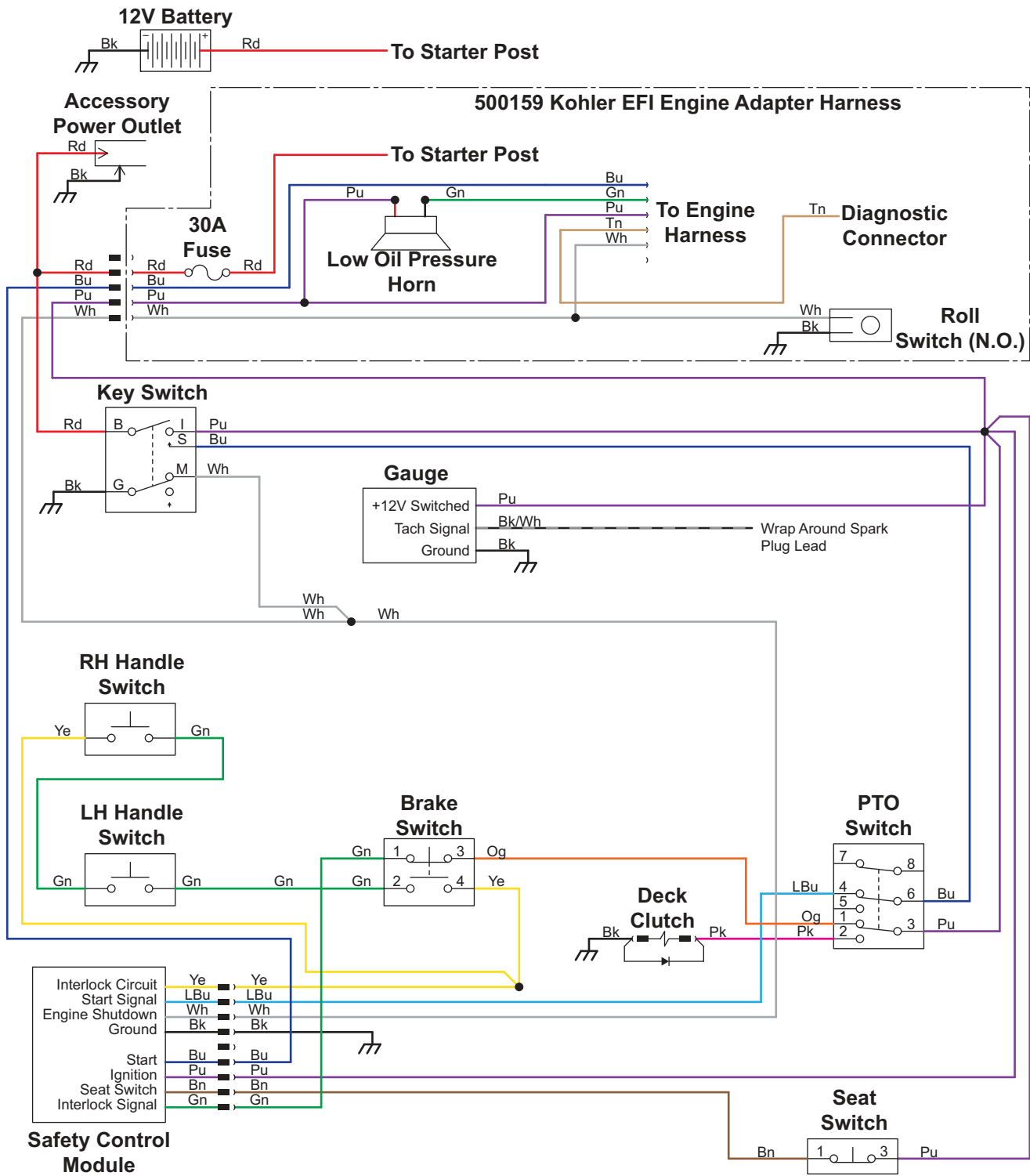
# Engine Adapter Harnesses



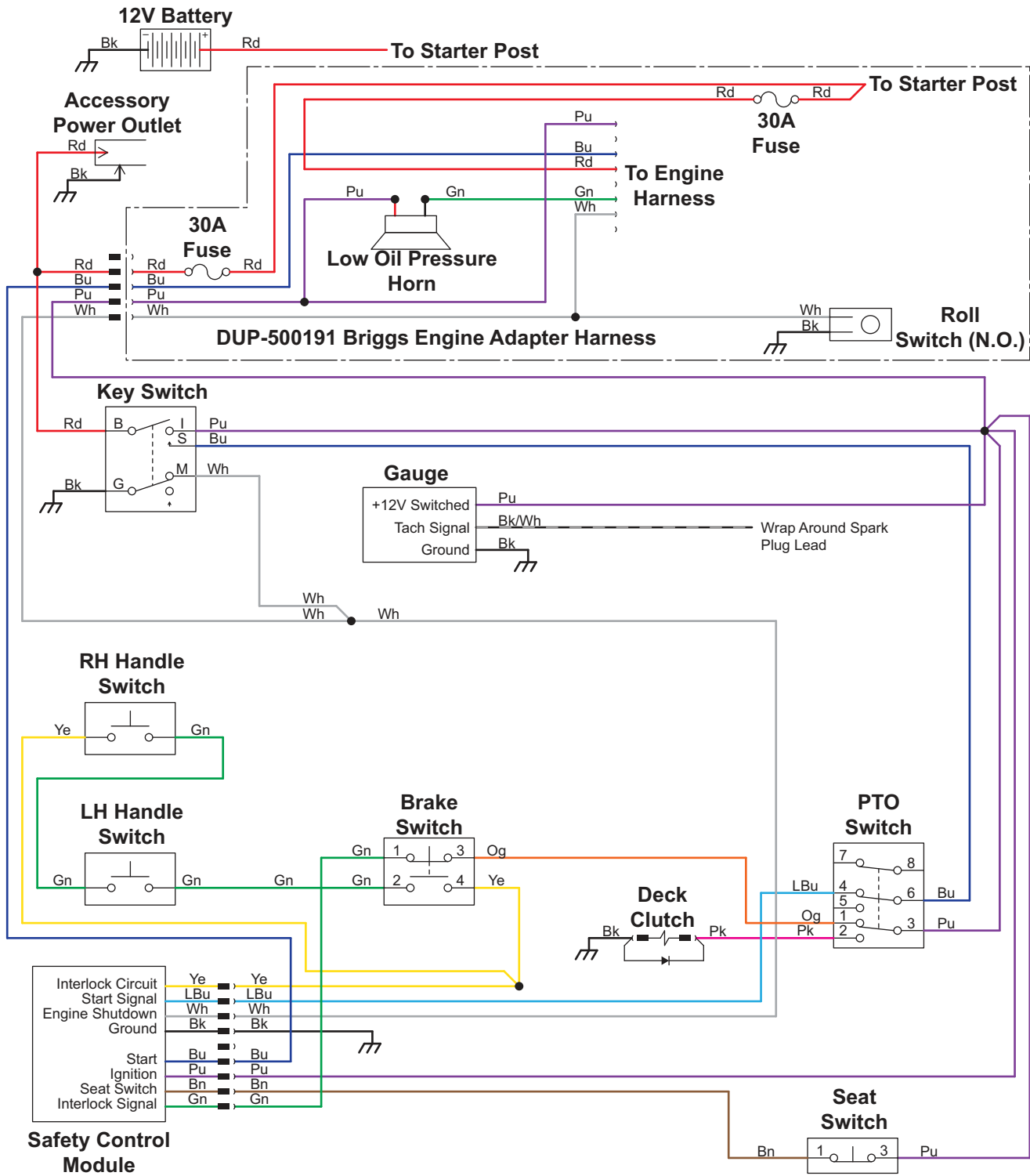
# Electrical Schematic (Kawasaki)



# Electrical Schematic (Kohler)



# Electrical Schematic (Briggs)



# General Bolt Torque Specifications

Bolt Size Inches	Coarse Thread /Inches	SAE 0-1-2 Low Carbon Steel	SAE Grd. 3 Medium Carbon Steel	SAE Grd. 5 Med. Carbon Heat T. Steel	SAE Grd. 6 Med. Carbon Treat Steel	SAE Grd. 7 Med. Carbon Alloy Steel	SAE 0-1-2 Med. Carbon Alloy Steel
1/4	20	6	9	10	12.5	13	14
5/16	18	12	17	19	24	25	29
3/8	16	20	30	33	43	44	47
7/16	14	32	47	54	69	71	78
1/2	13	47	69	78	106	110	119
9/16	12	69	103	114	150	154	169
5/8	11	96	145	154	209	215	230
3/4	10	155	234	257	350	360	380
7/8	9	206	372	382	550	570	600
1	8	310	551	587	825	700	840
1-1/8	7	480	794	872	1304	1325	1430
1-1/8	7	675	1105	1211	1815	1825	1975

To determine the torque for a fine thread bolt, increase the above coarse thread ratings by 9%.

# Index

Numerics			
02114-01	28, 30	200664	26
02311-00	30, 32	200665	26
100107	18	200747	24, 26
100279	16	200756	8
100285	16	200758	8
100288	16	200771	8
100397	8	200772	8
100566	16	200888	24, 26
100594	8	200889	52
100595	8	200891	16
100760	8	200911	44
100868	28	20214	20, 22
100876	12	20222	20, 22
100897	10, 12	20223	20, 22
100924	14	20224	8, 20, 22, 36
100964	8	20238	18
10203	18	20252	36
10206	8	20276	18
10207	8	300031	14
10208	8	300058	34
200003	20	300184	30, 32
200012	20	300324	16, 28, 30, 32
200013	20	300332	30
200025	24, 26	300333	30
200041	20, 22	300344	30
200042	16	300345	30
200043	16	300350	36
200089	24, 26	300356	32
200107	20, 22	300357	32
200234	16	300358	32
200247	18	300359	32
200269	40	300385	28
200311	24, 26	300386	28
200312	22	300387	28
200313	22	300393	30, 32
200314	20, 22	300441	34
200315	20, 22	300442	34
200323	20, 22	300443	34
200330	18	300448	34
200331	18	300470	34
200365	24, 26	300471	28, 30, 32
200366	24, 26	300531	28, 32
200479	24	300571	32
200594	24, 26	301076	14
200597	16	301077	14
200598	16	301209	28
200624	16	301372	34
200637	8	301389	10, 12
200638	8	301564	30, 32
200639	24	301740	14
200640	24	301753	10, 12
200644	26	301757	14
		301891	32
		301893	32
		301898	30
		301901	30
		301929	10, 12
		301931	14
		301951	14
		301965	28
		301968	28
		301979	28
		30206	28, 30, 32
		30217	34
		30217-L	34
		30218	34
		30219	34
		30224	28, 30, 32
		30227-50X	34
		30227-52X	34
		30227-62X	34
		302311	10
		302313	10, 12
		302318	10, 12
		302319	10, 12
		302320	10
		30234	16, 28
		302346	12
		30240-0	28, 30, 32
		302604	28, 30, 32
		302606	28
		302610	30
		302611	28, 30
		302612	32
		302615	32
		400201	18
		400227	48
		400234	8
		400266	48
		400291	46, 48
		400349	16
		400358	53, 54
		400360	53, 54
		400439	8
		400471	46
		400497	18
		400502	48
		400503	48
		400504	48
		400505	48
		400519	52
		400577	48
		400743	8
		400744	8
		400745	8
		400747	8



# Index

400885	53, 54	600379	44	902018	38
401111	52	600398	53, 54	902038	38
401112	52	600399	53, 54	902543	38
401212	8	600415	38	902547	38
401402	8	600416	38	902548	38
401410	8	600422	44	902939	42
401568	48, 53, 54	600436	40, 42	902940	42
401569	48, 53, 54	600456	53, 54	902942	42
401590	46, 48	600507	38	902949	40
401629	48	600534	42	902950	40
401630	48	600547	40	902959	50
401717	50	600558	38	902967	52
401743	16	600559	38	902970	28, 30, 32
401745	8	600564	42	902982	53, 54
401748	50	600566	40	902983	54
401749	50	60103-L	52	97098	24, 26
401752	50	60109	24, 26	97122	36
401756	8	65004	24, 26	97139	32
401785	46	65024	20	97171	8
401786	46	65044	50	97390	30, 32
401791	46, 48	65206	20	97415	16
401792	46, 48	65276	28, 30	9907525X100S	34
401794	46	65278	28, 30, 32	9907600X100S	34
401797	50	65308	32	9907675X100S	34
401798	50	65308-L	30	9907750X100S	34
401802	50	65408	4	B	
401809	46, 53, 54	65409	4	B-101	16, 28
401833	46, 48	65437	4	B-102	16, 50
401837	46, 48	67225	34	B-103	46, 48, 52
401962	50	67240	28, 30, 32	B-104	52, 54
401998	52, 54	67258	14, 36	B-107	10, 12, 46, 48
402018	50	68031	24	B-108	16, 20, 22, 28, 30, 32, 44, 46, 48
40213	53, 54	68122-50	36	B-109	40
40229	38, 40, 42	68142	36	B-110	14, 16, 52
4174684	46, 48	68225	32	B-117	8, 32, 52
4221120	54	72001	22	B-118	28, 30
500013	18	72024	22	B-119	52
500017	46, 48	72071	24, 26	B-121-L	34
500019	16	72122	36	B-124	16
500095	44	772150	20, 22	B-129	18
500117	44	788030B	20, 22	B-131	16, 20, 22
500118	44	788080	34	B-135	28, 30, 32, 36
500128	38	788101	20, 22	B-136	30, 32, 36
500145	46, 48	792025	20, 22	B-137	52
500159	40	792026	20, 22	B-150A	16
500194	46, 48	800925	4	B-158	42
500195	46, 48	900070	14	B-165	16
500197	46, 48	900098	36	B-179	28, 36, 52
500200	46, 48	900320	52	B-181	28, 30, 32
600030	38	900321	52	B-185	14
600072	46, 48	900339	8	B-190	28, 30, 32
600129	38, 40, 42	900388	50	B-199	16, 50
600361	44	901277	40		

B-203	16, 46, 48	DUP-402006	50	N-197	10, 12
B-209	46, 48, 50, 52	DUP-402008	46, 48	N-198	18
B-220	38, 40	DUP-500053	46, 48	N-206	52
B-221	44	DUP-500191	42	N-210	18
B-223	32	DUP-500193	46, 48	N-216	14, 16, 20, 22, 28, 30, 32,
B-229	50	DUP-600530	42	36, 44, 46, 48, 52	
B-235	8	DUP-600553	40	N-217	8, 10, 12, 16, 46, 48, 52, 54
B-237	10, 12	DUP-600554	40	N-218	8, 14
B-238	10	DUP-600595	53, 54	N-219	28, 50
B-253	30	DUP-67008	24, 26	N-222	14
B-254	30, 32	DUP-67013	24, 26	N-223	8
B-255	28, 30, 32	DUP-67015	24	N-241	28, 30, 32
B-258	18	DUP-68031	26	P	
B-259	8	DUP-68130	36	P-101	20, 22
B-264	28, 30	DUP-87104	26	P-102	36
B-273	44	DUP-900014	36	P-112	8
B-275	14	F		P-118	20, 22
B-278	28	F-100	8	P-165	14
B-296	28	F-102	28, 30, 32, 34	P-167	14
B-306	28, 30, 32	F-109	10, 12	P-174	14
B-338	50	K		S	
B-344	8	K-100	44	S-121	22
B-348	52	K-102	20, 22	S-128	16
B-351	10, 12	K-103	44	S-133	22
B-354	38, 40, 42	N		W	
B-380	8	N-101	46, 48, 52	W-100	34
B-388	14	N-102	16, 50	W-101	34
B-391	28, 30, 32	N-103	18	W-102	8, 16, 28, 50
B-402	18	N-103-W	16, 50	W-104	16, 28, 30, 32, 36, 38, 40,
B-424	14	N-105	20, 22	42, 46, 48	
B-430	32	N-107	30, 32, 36, 50	W-105	46, 48
B-436	38	N-108	28, 30, 32, 44	W-106	32
C		N-110	38, 40, 42	W-109	8, 18, 52
C-105	16, 46, 48	N-113	8	W-110	18
C-112	38, 40, 42	N-114	10, 12, 14, 20, 22	W-111	14, 28, 30, 32
C-116	14	N-115	8	W-112	32
C-118	24, 26	N-135	16, 50	W-113	18, 30, 32, 44, 46, 48
C-125	53, 54	N-143	18	W-118	50
C-131	14	N-146	52	W-122	20, 22
C-133	14	N-152S	46, 48	W-124	16
D		N-153	18, 50	W-125	16
DUP-101006	8	N-155	36	W-126	16
DUP-101009	8	N-156	14, 28, 30, 32	W-132	20, 22
DUP-301736	14	N-157	14, 22, 52	W-135	28, 30, 32
DUP-301742	10, 12	N-167	34	W-137	34
DUP-301863	28	N-168	20	W-140	18, 32
DUP-400266	46	N-176	28	W-144	44
DUP-400420	50	N-183	8	W-145	44
DUP-400468	46	N-184	20, 36, 46, 48	W-146	34
DUP-400469	46	N-185	22	W-149	32
DUP-400470	46	N-191	14	W-152	16, 46, 48
DUP-400496	18	N-195	28, 30, 32	W-153	16, 46, 48, 52
DUP-401122	46, 53, 54				

W-154 ..... 10, 12  
W-157 ..... 18  
W-158 ..... 38, 40, 42  
W-160 ..... 52  
W-161 ..... 38, 40, 44  
W-163 ..... 38, 40, 44  
W-166 ..... 14  
W-168 ..... 16  
W-181 ..... 14  
W-182 ..... 34  
W-197 ..... 52



**DIXIE CHOPPER**  
**6302 E. County Road 100 N.**  
**Coatesville, Indiana 46121**  
**[www.dixiechopper.com](http://www.dixiechopper.com)**

Specifications and instructions subject to change without notice.

Dixie Chopper is a registered trademark of Jacobsen Professional Lawn Care Inc.  
any and all use and/or reproductions are strictly prohibited.

Printed In USA