

2020~2021 | Household / Building Automation

IoT / IIoT / Industry 4.0

2 ~ 240 Watt AC/DC Power Solutions



Company Profile

TRACO Electronic AG is a Swiss company with headquarters based in Baar, Switzerland. As a leading power supply specialist with more than 40 years' experience we are dedicated to the design and manufacturing of high-quality DC/DC and AC/DC power conversion products. TRACO markets its products worldwide under the registered trademark TRACO POWER.

Our mission is to provide our customers with optimal power supply solutions in terms of performance, quality and cost for their individual application.

Household, Smart Building & Office Automation Requirements:

Power supplies which are used for household and building/office technology must meet complex technical requirements, electrical compliance and safety regulations.

Important features for the AC/DC power supplies include high efficiency, ultra-low no-load power consumption (ErP compliant), small size, extra-wide input voltage range, high reliability and an affordable price are key elements to all these home/building automation applications and the ever-increasing regional compliance and safety standards including IEC/EN 60335-1.

Traco Power has decades of experience in developing optimised power supply solutions for building & home automation. The product range includes AC/DC power supplies from 2-150 Watt which perfectly meet these requirements.

Traco Power solutions provide these standard features:

- Efficiency up to 94%
- Ultra-low standby power consumption acc. to ErP directive
- Ultra-compact design: DIN-Rail case form factors meet standard building automation requirements (depth 55 mm max)
- Optimized for IoT applications
- Flush box solutions available
- Various package and connection types available

The following standards apply:

- Household power supplies meet the increased requirements defined within EN 60335-1
- IEC/EN/UL 60950-1 and IEC/EN/UL 62368-1
- ErP complaint with ultra-low, no load power draw
- UL 1310 class II / NEC class 2 compliance
- EN 55032 conducted & Radiated level B

UL 62368-1 - Effective December 2020

The upcoming discontinuation of the IEC/EN/UL 60950-1 by December 20, 2020 and the associated transfer to the new IEC/EN/UL 62368-1 impacts many different industries including the power supply industry in which we are operating in.

Traco Power has made a great effort to upgrade nearly our all our product families to the new standard before the December deadline. Only older series which could not meet the new requirements without a major design change, or series which were bound to become NRND shortly weren't transferred to the new standard. However, for those products possible replacements or alternative series are already available.

Please check our website for the latest status and the most current product datasheet and safety documentation.

Open Frame (PCB Mount & Chassis Mount)

TPP 15A-D	1.5" x 1.0", PCB Mount, 4000 VAC I/O-isolation		15 Watt	4
TPP 15A-J	2.6" x 1.0", Chassis Mount with 1/4" standoffs, 4000 VAC I/O-isolation		15 Watt	4
TPP 30A-D	2.74" x 1.1", PCB Mount, 4000 VAC I/O-isolation		30 Watt	5
TPP 30A-J	3.34" x 1.36", Chassis Mount with 1/4" standoffs, 4000 VAC I/O-isolation		30 Watt	5

Encapsulated PCB Mount

TMPS 03	1" x 1", 3000 VAC I/O-isolation		3 Watt	7
TMPS 05	1" x 1", 3000 VAC I/O-isolation		5 Watt	7
TMPW 5	1.46" x 1.08", 90-305 VAC input, 4000 VAC I/O-isolation	NEW!	5 Watt	8
TMPS 10	1.5" x 1", 3000 VAC I/O-isolation		10 Watt	8
TMPW 10	1.46" x 1.08", 90-305 VAC input, 4000 VAC I/O-isolation	NEW!	10 Watt	9
TMPS 15	2" x 1", 3000 VAC I/O-isolation	NEW!	15 Watt	9
TPP 15-D	1.65" x 1.14, 4000 VAC I/O-isolation		15 Watt	10
TMPW 25	2.07" x 1.08", 90-305 VAC input, 4000 VAC I/O-isolation	NEW!	25 Watt	10
TPP 30-D	2.89" x 1.50, 4000 VAC I/O-isolation		30 Watt	11
TMPW 50	2.92" x 1.85", 90-305 VAC input, 4000 VAC I/O-isolation	NEW!	50 Watt	11

Encapsulated Chassis Mount

TMPW 5-J	2.17" x 1.08", 90-305 VAC input, 4000 VAC I/O-isolation.	NEW!	5 Watt	13
TIW 6/12	2.2" x 2.2", flush box mounting, (IP67), 4000 VAC I/O-isolation		6/12 Watt	13
TMPW 10-J	2.17" x 1.08", 90-305 VAC input, 4000 VAC I/O-isolation.	NEW!	10 Watt	14
TPP 15-J	2.82" x 1.14", 4000 VAC I/O-isolation		15 Watt	14
TIW 24	2.2" x 2.2", encapsulated (IP67), 4000 VAC I/O-isolation.		24 Watt	15
TMW 24	2.09" x 2.0", flush box mounting, (IP68), 4000 VAC I/O-isolation	NEW under development	24 Watt	15
TMPW 25-J	3.48" x 1.08", 90-305 VAC input, 4000 VAC I/O-isolation.	NEW!	25 Watt	16
TPP 30-J	3.95" x 1.5", 4000 VAC I/O-isolation		30 Watt	16
TMW 36	2.09" x 2.0", flush box mounting, (IP68), 4000 VAC I/O-isolation	NEW under development	36 Watt	17
TMPW 50-J	3.81" x 1.85", 90-305 VAC input, 4000 VAC I/O-isolation.	NEW!	50 Watt	17

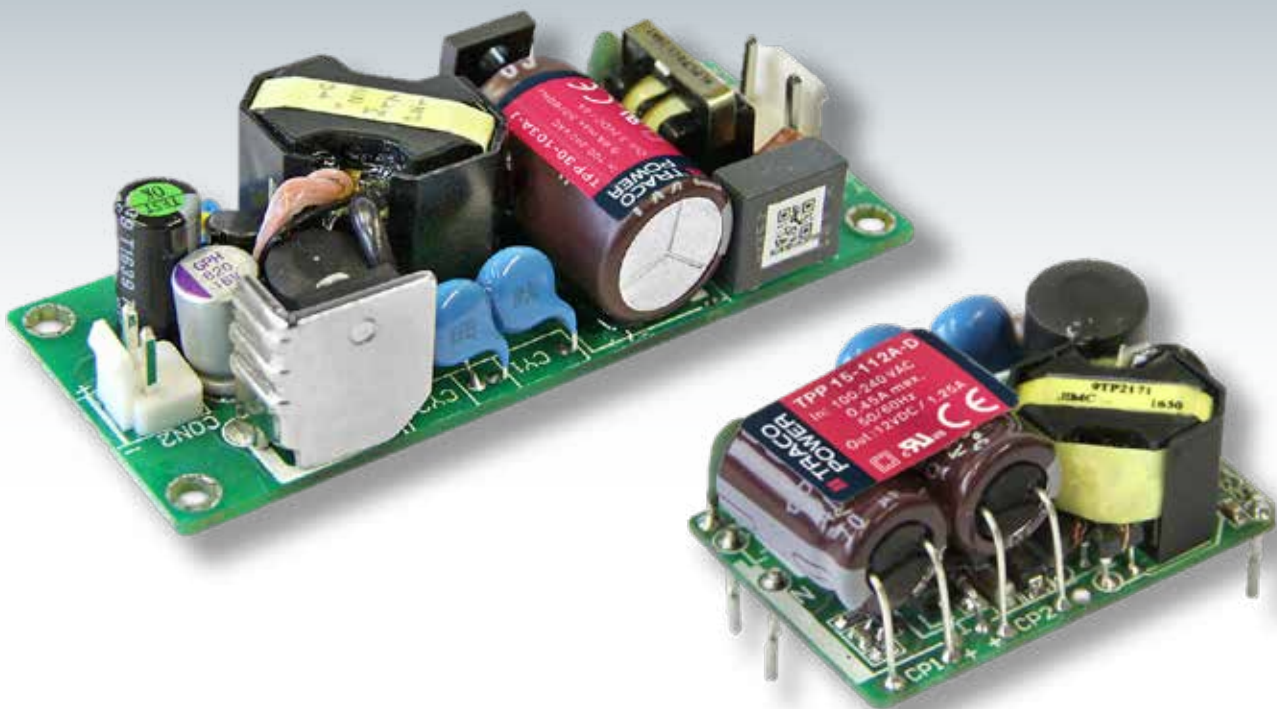
DIN-Rail Mount

TBLC	Low profile case (55mm depth), EN 60355-1, UL 1310, UL 508, ErP Ready		6–90 Watt	19
TBL	Low profile case (55mm depth), UL 1310, UL 508		15–150 Watt	19
TPC	Slim profile case, robust design, ErP ready, UL 508		30–120 Watt	20
TCL	Slim profile case, UL 508		24–240 Watt	20
TSPC-240-124UPS	Power supply and battery management for 24 VDC UPS, UL 508		240 Watt	21
TSP-BCMU360	Battery management module for 24 VDC and 48 VDC UPS, UL508		360 Watt	21

ENGINEERED TO STAY COOL

Open Frame AC/DC Power Supplies

- -40 to +85°C convection-cooled operation
- High efficiencies & low standby power for ErP compliance
- EN 60335-1 approved (household applications)
- IEC/EN/UL 62368-1 approved
- IEC /EN/ES 60601-1 3rd Edition medical approved (2xMOPP)
- EN 55032 conducted & radiated emissions (class B)



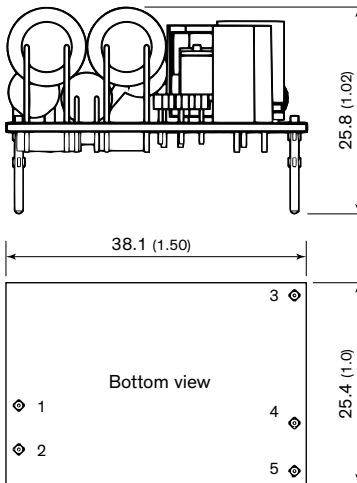
TRACOPOWER open frame power supplies enable next generation smart applications

IOT (INTERNET OF THINGS) | IIOT (INDUSTRIAL INTERNET OF THINGS) | INDUSTRY 4.0



TPP 15A-D

15 Watt



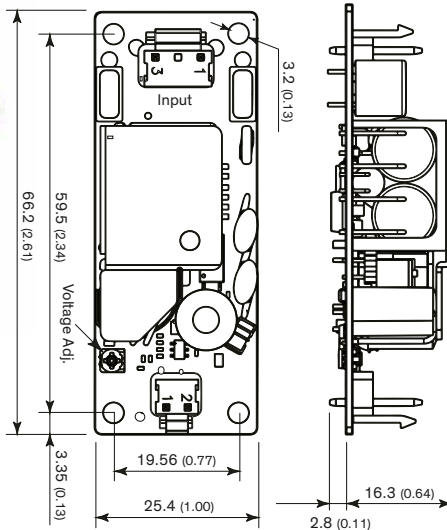
Model	Output Voltage nom. (adjustable)	Output Current max.	Efficiency typ.
TPP 15-103A-D	3.3 VDC (2.97 - 3.63 VDC)	4'000 mA	84 %
TPP 15-105A-D	5 VDC (4.5 - 5.5 VDC)	3'000 mA	86 %
TPP 15-109A-D	9 VDC (8.1 - 9.9 VDC)	1'670 mA	86 %
TPP 15-112A-D	12 VDC (10.8 - 13.2 VDC)	1'250 mA	87 %
TPP 15-115A-D	15 VDC (13.5 - 16.5 VDC)	1'000 mA	87 %
TPP 15-124A-D	24 VDC (21.6 - 26.4 VDC)	625 mA	88 %
TPP 15-136A-D	36 VDC (32.4 - 39.6 VDC)	417 mA	88 %
TPP 15-148A-D	48 VDC (43.2 - 52.8 VDC)	313 mA	89 %

- 1.0 x 1.50 x 1.02" open frame (PCB mount)
- IEC/EN/ES 60601-1 3rd ed. (2xMOPP)
- IEC/EN/UL 62368-1 approved
- Low leakage current <75 µA
- Rated for BF applications
- IEC 60601-1-2 4th edition EMC
- ISO 14971 risk management file
- ErP compliant (<75 mW no load)
- IPC-A-610 Level 2 acceptance criteria
- Protection class II
- Operating up to 5000m altitude
- 5-year product warranty

PCB Pinout	
Pin	Function
1	Neutral
2	Line
3	Trim
4	-Vout
5	+Vout

TPP 15A-J

15 Watt



Model	Output Voltage nom. (adjustable)	Output Current max.	Efficiency typ.
TPP 15-103A-J	3.3 VDC (2.97 - 3.63 VDC)	4'000 mA	84 %
TPP 15-105A-J	5 VDC (4.5 - 5.5 VDC)	3'000 mA	86 %
TPP 15-109A-J	9 VDC (8.1 - 9.9 VDC)	1'670 mA	86 %
TPP 15-112A-J	12 VDC (10.8 - 13.2 VDC)	1'250 mA	87 %
TPP 15-115A-J	15 VDC (13.5 - 16.5 VDC)	1'000 mA	87 %
TPP 15-124A-J	24 VDC (21.6 - 26.4 VDC)	625 mA	88 %
TPP 15-136A-J	36 VDC (32.4 - 39.6 VDC)	417 mA	88 %
TPP 15-148A-J	48 VDC (43.2 - 52.8 VDC)	313 mA	89 %

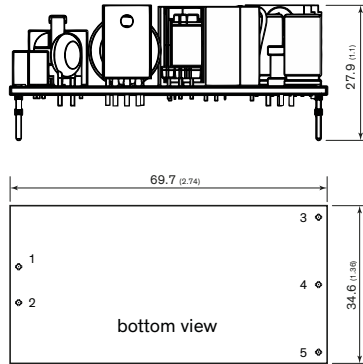
- 2.61 x 1.00 x 0.75" open frame
- IEC/EN/ES 60601-1 3rd ed. (2xMOPP)
- IEC/EN/UL 62368-1 approved
- Low leakage current <75 µA
- Rated for BF applications
- IEC 60601-1-2 4th edition EMC
- ErP compliant (<75 mW no load)
- ISO 14971 risk management file
- IPC-A-610 Level 2 acceptance criteria
- Protection class I and II
- Operating up to 5000m altitude)
- 5-year product warranty

Pin Connectors			
Input		Output	
Pin	Function	Pin	Function
1	Line	1	-Vout
3	Neutral	2	+Vout

OPEN FRAME (PCB MOUNT & CHASSIS MOUNT)

TPP 30A-D

30 Watt



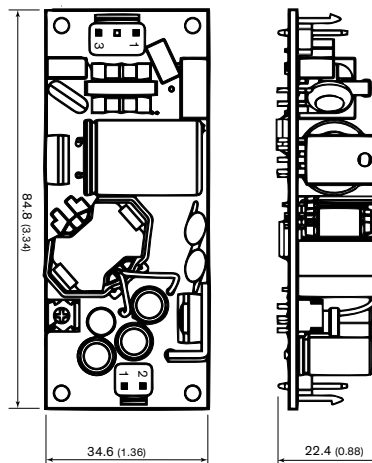
Model	Output Voltage nom. (adjustable)	Output Current max.	Efficiency typ.
TPP 30-103A-D	3.3 VDC (2.97 - 3.63 VDC)	6'000 mA	84 %
TPP 30-105A-D	5 VDC (4.5 - 5.5 VDC)	6'000 mA	87 %
TPP 30-109A-D	9 VDC (8.1 - 9.9 VDC)	3'340 mA	88 %
TPP 30-112A-D	12 VDC (10.8 - 13.2 VDC)	2'500 mA	91 %
TPP 30-115A-D	15 VDC (13.5 - 16.5 VDC)	2'000 mA	91 %
TPP 30-124A-D	24 VDC (21.6 - 26.4 VDC)	1'250 mA	90 %
TPP 30-136A-D	36 VDC (32.4 - 39.6 VDC)	840 mA	90 %
TPP 30-148A-D	48 VDC (43.2 - 52.8 VDC)	630 mA	92 %

- 2.74 x 1.36 x 1.10" open frame (PCB mount)
- IEC/EN/ES 60601-1 3rd ed. (2xMOPP)
- IEC/EN/UL 62368-1 approved
- Low leakage current <75 µA
- Rated for BF applications
- IEC 60601-1-2 4th edition EMC
- ErP compliant (<60 mW no load)
- ISO 14971 risk management file
- IPC-A-610 Level 2 criteria
- Protection class II
- Operating up to 5000m altitude
- 5-year product warranty

PCB Pinout	
Pin	Function
1	Neutral
2	Line
3	+Vout
4	-Vout
5	Trim

TPP 30A-J

30 Watt



Model	Output Voltage nom. (adjustable)	Output Current max.	Efficiency typ.
TPP 30-103A-J	3.3 VDC (2.97 - 3.63 VDC)	6'000 mA	84 %
TPP 30-105A-J	5 VDC (4.5 - 5.5 VDC)	6'000 mA	87 %
TPP 30-109A-J	9 VDC (8.1 - 9.9 VDC)	3'340 mA	88 %
TPP 30-112A-J	12 VDC (10.8 - 13.2 VDC)	2'500 mA	91 %
TPP 30-115A-J	15 VDC (13.5 - 16.5 VDC)	2'000 mA	91 %
TPP 30-124A-J	24 VDC (21.6 - 26.4 VDC)	1'250 mA	90 %
TPP 30-136A-J	36 VDC (32.4 - 39.6 VDC)	840 mA	90 %
TPP 30-148A-J	48 VDC (43.2 - 52.8 VDC)	630 mA	92 %

- 3.4 x 1.36 x 0.88" open frame
- IEC/EN/ES 60601-1 3rd ed. (2xMOPP)
- IEC/EN/UL 62368-1 approved
- IEC/EN 60601-1-2 4th edition (EMC)
- ISO 14971 risk management file
- Low leakage current <75 µA
- Rated for BF applications
- ErP compliant (<75 mW no load)
- IPC-A-610 Level 2 criteria
- Protection class I and II
- Operating up to 5000m altitude
- ErP compliant (<60 mW no load)
- 5-year product warranty

Pin Connectors			
Input		Output	
Pin	Function	Pin	Function
1	Line	1	+Vout
3	Neutral	2	-Vout

DESIGN / QUALIFICATION / MANUFACTURING

Modified Standard and Custom Power Supply



TRACO POWER SOLUTIONS LTD.

Our design team offers our breadth of technology, experience and facilities to design, qualify and manufacture modified standard and customized power solutions to meet your budget and time-to-market requirements. Our capabilities include:

- Research & design
- Commercial & technical support
- Pre-compliance safety and EMI test
- Mechanical and Thermodynamic tests
- HALT and performance test
- 100% functional test and burn-in
- Safety qualification and certification
- OEM and white label solutions

SMALL & POWERFUL AC/DC POWER SUPPLIES

Encapsulated / PCB Mount Products

- Convection-cooled operation
- Miniaturized footprints
- High efficiencies & low standby power for ErP compliance
- EN 60335-1 approved (household applications)
- IEC/EN/UL 62368-1 approved
- EN 55032 conducted & radiated level B
- Fully Encapsulated with 5-sided non-flammable plastic case



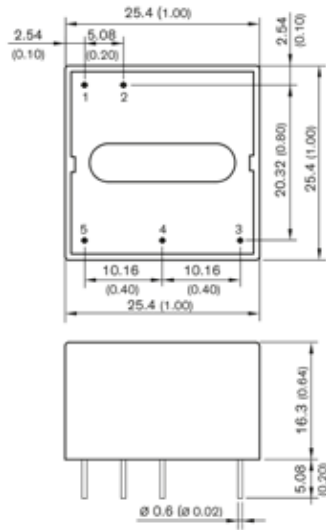
TRACOPOWER Encapsulated/PCB Mount power supplies enable next generation smart applications

IOT (INTERNET OF THINGS) | IIOT (INDUSTRIAL INTERNET OF THINGS) | INDUSTRY 4.0



TMPS 03

3 Watt



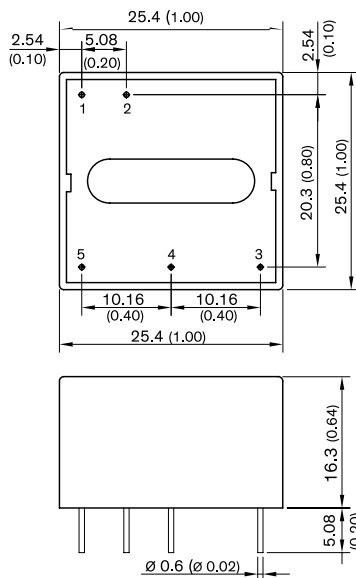
Model	Output Voltage nom.	Output Current max.	Output Current peak	Efficiency typ.
TMPS 03-103	3.3 VDC	900 mA	1'170 mA	70 %
TMPS 03-105	5 VDC	600 mA	780 mA	72 %
TMPS 03-109	9 VDC	333 mA	430 mA	77 %
TMPS 03-112	12 VDC	250 mA	320 mA	78 %
TMPS 03-115	15 VDC	200 mA	260 mA	78 %
TMPS 03-124	24 VDC	125 mA	160 mA	78 %

- PCB mount 1.0 x 1.0 x 0.64" package
- ErP compliant(<150 mW no load)
- -25°C to +70°C temperature range
- EMI meets EN 55032, class B
- Protection class II prepared
- 3-year product warranty

Pin Connections	
Pin	Function
1	AC (N)
2	AC (L)
3	NC
4	-Vout
5	+Vout

TMPS 05

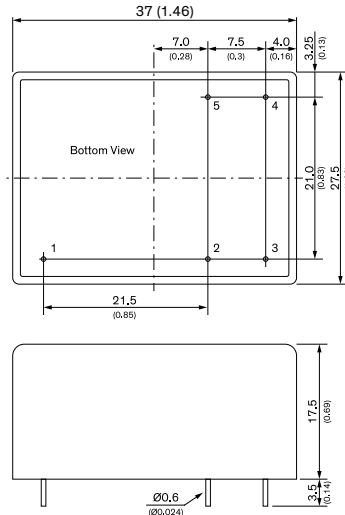
5 Watt



Model	Output Voltage nom.	Output Current max.	Output Current peak	Efficiency typ.
TMPS 05-103	3.3 VDC	1'515 mA	1'970 mA	74 %
TMPS 05-105	5 VDC	1'000 mA	1'300 mA	80 %
TMPS 05-109	9 VDC	555 mA	721 mA	82 %
TMPS 05-112	12 VDC	416 mA	540 mA	82 %
TMPS 05-115	15 VDC	333 mA	433 mA	83 %
TMPS 05-124	24 VDC	208 mA	270 mA	83 %
TMPS 05-148	48 VDC	104 mA	135 mA	85 %

- PCB mount 1.0 x 1.0 x 0.64" package
- EN60335-1 for household appliance
- ErP compliant(<300 mW no load)
- -25°C to +70°C temperature range
- EN 55032 class B and EN 55014-1
- Protection class II prepared
- 3-year product warranty

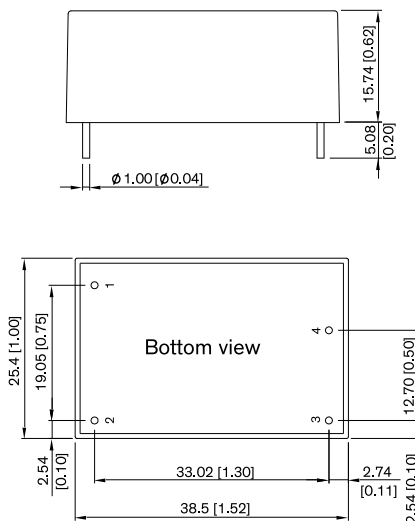
Pin Connections	
Pin	Function
1	AC (N)
2	AC (L)
3	NC*
4	-Vout
5	+Vout



Model	Output Voltage nom.	Output Current max.	Efficiency typ.
TMPW 5-103	3.3 VDC	1515 mA	73 %
TMPW 5-105	5 VDC	1000 mA	77 %
TMPW 5-112	12 VDC	420 mA	81 %
TMPW 5-124	24 VDC	210 mA	83 %

- PCB mount 1.46 x 1.08 x 0.69"
- Wide 90-305 VAC input voltage range
- Certified according to EN 60355-1 and IEC/EN/UL 62368-1
- ErP compliant (<100 mW no load)
- I/O-isolation 4000 VAC
- -40° to +70°C temperature range
- EMI meets EN 55032 class B
- High efficiency up to 89%
- Protection class II prepared
- 3-year product warranty

Pin Connections	
Pin	Single
1	NC
2	+Vout
3	GND
4	AC (L)
5	AC (N)



Model	Output Voltage nom.	Output Current max.	Output Current peak	Efficiency typ.
TMPS 10-103	3.3 VDC	2'600 mA	3'380 mA	77 %
TMPS 10-105	5 VDC	2'000 mA	2'600 mA	80 %
TMPS 10-109	9 VDC	1'100 mA	1'440 mA	83 %
TMPS 10-112	12 VDC	830 mA	1'080 mA	84 %
TMPS 10-115	15 VDC	660 mA	860 mA	84 %
TMPS 10-124	24 VDC	410 mA	530 mA	86 %
TMPS 10-148	48 VDC	210 mA	270 mA	84 %

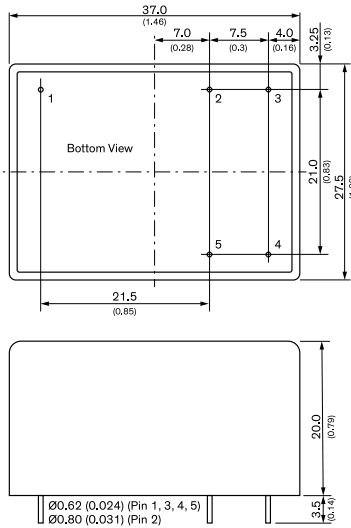
- PCB mount 1.0 x 1.5 x 0.62"
- EN 60335-1 and UL 62368-1 for household and industrial appliance
- ErP compliant (<150 mW no load)
- Reinforced I/O isolation 4000 VAC
- -25°C to +70°C temperature range
- 130% peak current up to 30 s
- EN 55032 class B and EN 55014-1
- Protection class II prepared
- 3-year product warranty

Pin Connections	
Pin	Function
1	AC (N)
2	AC (L)
3	-Vout
4	+Vout

TMPW 10

NEW!

10 Watt



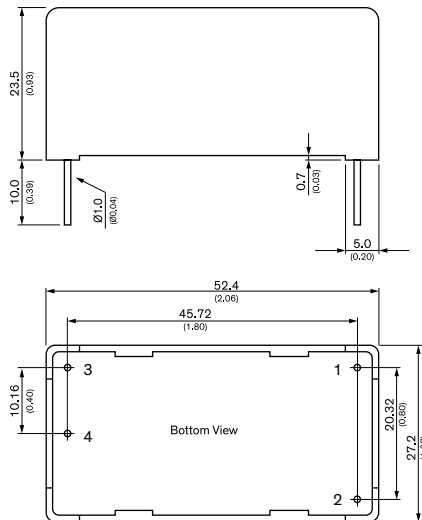
Model	Output Voltage nom.	Output Current max.	Efficiency typ.
TMPW 10-105	5 VDC	2000 mA	81 %
TMPW 10-112	12 VDC	833 mA	85 %
TMPW 10-115	15 VDC	667 mA	86 %
TMPW 10-124	24 VDC	417 mA	86 %

- PCB mount 1.46 x 1.08 x 0.79"
- Wide 90-305 VAC input voltage range
- Certified according to EN 60355-1 and IEC/EN/UL 62368-1
- ErP compliant (<100 mW no load)
- I/O-isolation 4000 VAC
- -40° to +70°C temperature range:
- EMI meets EN 55032 class B
- High efficiency up to 89%
- Protection class II prepared
- 3-year product warranty

TMPS 15

NEW!

15 Watt



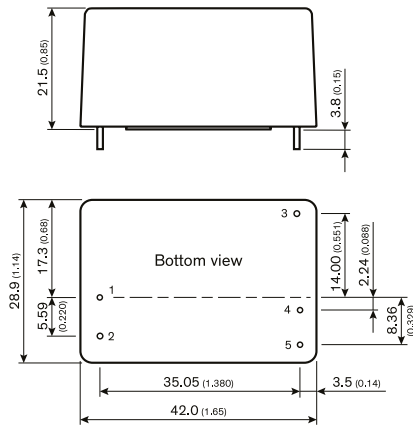
Model	Output Voltage nom.	Output Current max.	Output Current peak	Efficiency typ.
TMPS 15-103	3.3 VDC	3500 mA	4550 mA	75 %
TMPS 15-105	5 VDC	3000 mA	3900 mA	79 %
TMPS 15-112	12 VDC	1250 mA	1625 mA	82 %
TMPS 15-115	15 VDC	1000 mA	1300 mA	82 %
TMPS 15-124	24 VDC	625 mA	813 mA	84 %
TMPS 15-148	48 VDC	313 mA	407 mA	82 %

- PCB mount 2.06 x 1.07 x 0.93"
- EN 60335-1 and UL 62368-1 for household and industrial appliance
- ErP compliant (<150 mW no load)
- I/O isolation 3000 VAC
- -25°C to +70°C temperature range
- 130% peak current up to 30 s
- EN 55032 class B and EN 55014-1
- Protection class II prepared
- 3-year product warranty

Pin Connections	
Pin	Function
1	AC (N)
2	AC (L)
3	+Vout
4	-Vout

* For heat-sink option drawing see data sheet

TPP 15-D 15 Watt

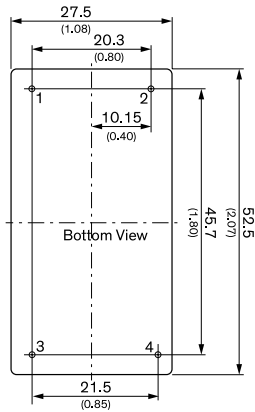


Model	Output Voltage nom. *	*adjustable	Output Current max.	Efficiency typ.
TPP 15-103-D	3.3 VDC	2.97 - 3.63 VDC	4'000 mA	84 %
TPP 15-105-D	5 VDC	4.5 - 5.5 VDC	3'000 mA	86 %
TPP 15-109-D	9 VDC	8.1 - 9.9 VDC	1'670 mA	86 %
TPP 15-112-D	12 VDC	10.8 - 13.2 VDC	1'250 mA	87 %
TPP 15-115-D	15 VDC	13.5 - 16.5 VDC	1'000 mA	87 %
TPP 15-124-D	24 VDC	21.6 - 26.4 VDC	625 mA	88 %
TPP 15-136-D	36 VDC	32.4 - 39.6 VDC	417 mA	88 %
TPP 15-148-D	48 VDC	43.2 - 52.8 VDC	313 mA	89 %

- 1.65 x 1.14 x 0.85" PCB mount
- IEC/EN/ES 60601-1 3rd ed. (2xMOPP)
- IEC/EN/UL 62368-1 approved
- ErP compliant (<75 mW no load)
- Low leakage current <75 µA
- Rated for BF applications
- IEC 60601-1-2 4th edition EMC
- ISO 14971 risk management file
- IPC-A-610 Level 2 acceptance criteria
- Protection class II
- Operating up to 5000m altitude
- 5-year product warranty

Pin Connections	
Pin	Function
1	Neutral
2	Line
3	Trim
4	-Vout
5	+Vout

TMPW 25 NEW! 25 Watt

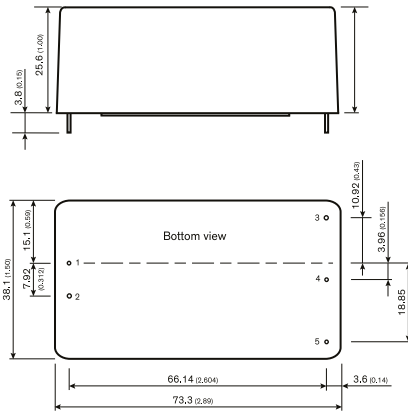


Model	Output Voltage nom.	Output Current max.	Efficiency typ.
TMPW 25-105	5.1 VDC	3922 mA	84 %
TMPW 25-112	12 VDC	2083 mA	88 %
TMPW 25-115	15 VDC	1666 mA	88 %
TMPW 25-124	24 VDC	1042 mA	87 %

- 2.07 x 1.08 x 0.93" PCB mount
- Wide 90-305 VAC input voltage range
- Certified according to EN 60355-1 and IEC/EN/UL 62368-1
- ErP compliant (<100 mW no load)
- I/O-isolation 4000 VAC
- -40° to +70°C temperature range
- EMI meets EN 55032 class B
- High efficiency up to 89%
- Protection class II prepared
- 3-year product warranty

Pin Connections	
Pin	Function
1	AC (L)
2	AC (N)
3	+Vout
4	-Vout

TPP 30-D **30 Watt**

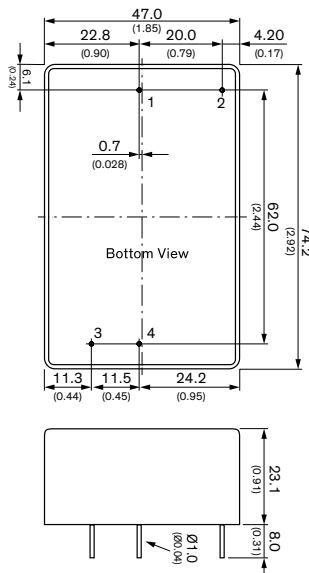


Model	Output Voltage nom. (adjustable)	Output Current max.	Efficiency typ.
TPP 30-103-D	3.3 VDC (2.97 - 3.63 VDC)	6'000 mA	84 %
TPP 30-105-D	5 VDC (4.5 - 5.5 VDC)	6'000 mA	87 %
TPP 30-109-D	9 VDC (8.1 - 9.9 VDC)	3'340 mA	88 %
TPP 30-112-D	12 VDC (10.8 - 13.2 VDC)	2'500 mA	91 %
TPP 30-115-D	15 VDC (13.5 - 16.5 VDC)	2'000 mA	91 %
TPP 30-124-D	24 VDC (21.6 - 26.4 VDC)	1'250 mA	90 %
TPP 30-136-D	36 VDC (32.4 - 39.6 VDC)	840 mA	90 %
TPP 30-148-D	48 VDC (43.2 - 52.8 VDC)	630 mA	92 %

- 2.89 x 1.50 x 1.00" PCB mount
- IEC/EN/ES 60601-1 3rd ed. (2xMOPP)
- IEC/EN/UL 62368-1 approved
- ErP compliant (<60 mW no load)
- Low leakage current <75 µA
- Rated for BF applications
- IEC 60601-1-2 4th edition EMC
- ISO 14971 risk management file
- IPC-A-610 Level 2 criteria
- Protection class II
- Operating up to 5000m altitude
- 5-year product warranty

PCB Pinout	
Pin	Function
1	Neutral
2	Line
3	+Vout
4	-Vout
5	Trim

TMPW 50 **NEW!** **50 Watt**



Model	Output Voltage nom.	Output Current max.	Efficiency typ.
TMPW 50-112	12 VDC	4167 mA	89 %
TMPW 50-115	15 VDC	3333 mA	88 %
TMPW 50-124	24 VDC	2083 mA	88 %

- 2.92 x 1.85 x 0.91" PCB mount
- Wide 90-305 VAC input voltage range
- Certified according to EN 60355-1 and IEC/EN/UL 62368-1
- ErP compliant (<100 mW no load)
- I/O-isolation 4000 VAC
- -40° to +70°C temperature range
- EMI meets EN 55032 class B
- High efficiency up to 89%
- Protection class II prepared
- 3-year product warranty

Pin Connections	
Pin	Single
1	AC (N)
2	AC (L)
3	-Vout
4	+Vout

SMALL & POWERFUL AC/DC POWER SUPPLIES

Encapsulated / Chassis-Mount and Flush-Box Mount Products

- Convection-cooled operation
- Miniatuized Footprints
- High efficiencies & low standby power for ErP compliance
- EN 60335-1 approved (household applications)
- IEC/EN/UL 62368-1 approved
- EN 55032 conducted & radiated level B
- Fully encapsulated in non-flammable plastic case

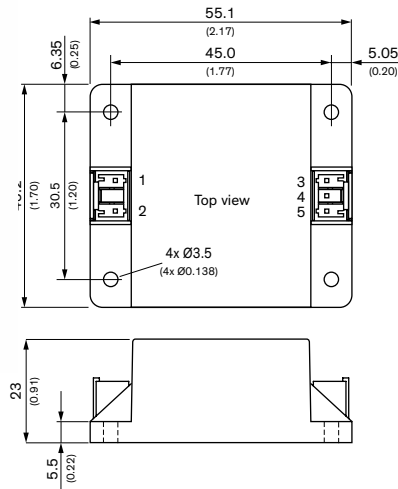


TRACOPOWER Encapsulated/Chassis Mount power supplies enable next generation smart applications

IOT (INTERNET OF THINGS) | IIOT (INDUSTRIAL INTERNET OF THINGS) | INDUSTRY 4.0



TMPW 5-J **NEW!** **5 Watt**

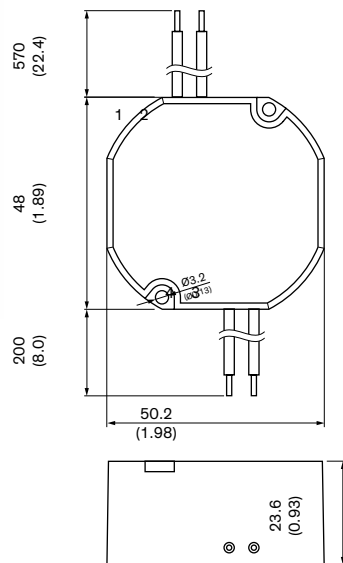


Model	Output Voltage nom.	Output Current max.	Efficiency typ.
TMPW 5-103-J	3.3 VDC	1515 mA	73 %
TMPW 5-105-J	5 VDC	1000 mA	77 %
TMPW 5-112-J	12 VDC	420 mA	81 %
TMPW 5-124-J	24 VDC	210 mA	83 %

- Chassis mount (2.17 x 1.70 x 0.91")
- Wide 90-305 VAC input voltage range
- Certified according to EN 60355-1 and IEC/EN/UL 62368-1
- ErP compliant (<100 mW no load)
- I/O-isolation 4000 VAC
- -40° to +70°C temperature range
- EMI meets EN 55032 class B
- High efficiency up to 89%
- Protection class II prepared
- 3-year product warranty

Pin Connections	
Pin	Single
1	AC (L)
2	AC (N)
3	-Vout
4	NC
5	+Vout

TIW 6 / TIW 12 **6 / 12 Watt**

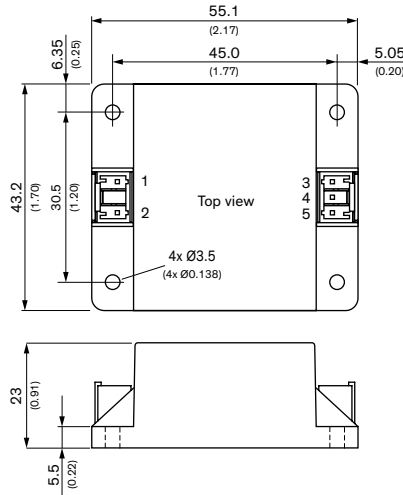


Model	Output Voltage	Output Current	Efficiency typ.
TIW 06-103	3.3 VDC	1.2 A	75 %
TIW 06-105	5 VDC	1.0 A	75 %
TIW 06-106	6 VDC	1.0 A	80 %
TIW 12-112	12 VDC	1.0 A	80 %
TIW 12-115	15 VDC	0.8 A	80 %
TIW 12-124	24 VDC	0.5 A	80 %

- High efficiency power supplies
- Installation into standard flush boxes
- Fully encapsulated plastic housing
- Dust and waterproof to IP 67
- Protection class II
- Approval to EN 60355-1
- Approved for mounting onto wood or materials with unknown flammability
- Ready to meet ErP directive
- Universal input range 93 to 264 VAC
- -25°C to +50°C temperature range
- Short circuit and overload protection
- 3-year product warranty

Pinout			
Pin	Wire	Color	Type
1	AC (N)	Blue	20AWG/0.52mm ²
2	AC (L)	Brown	20AWG/0.52mm ²
3	-Vout	Black	20AWG/0.52mm ²
4	+Vout	Red	20AWG/0.52mm ²

TMPW 10-J **NEW!** **10 Watt**

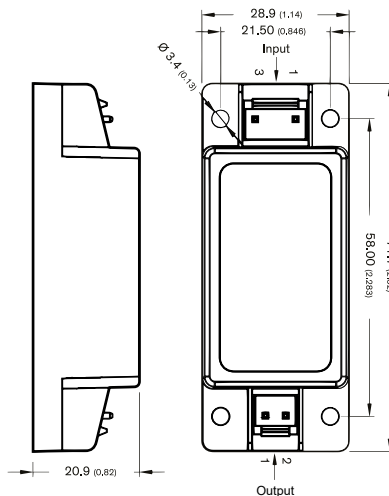


Model	Output Voltage nom.	Output Current max.	Efficiency typ.
TMPW 10-105-J	5 VDC	2000 mA	81 %
TMPW 10-112-J	12 VDC	833 mA	85 %
TMPW 10-115-J	15 VDC	667 mA	86 %
TMPW 10-124-J	24 VDC	417 mA	86 %

- Chassis mount (2.17 x 1.70 x 0.91")
- Wide 90-305 VAC input voltage range
- Certified according to EN 60355-1 and IEC/EN/UL 62368-1
- ErP compliant (<100 mW no load)
- I/O-isolation 4000 VAC
- -40° to +70°C temperature range
- EMI meets EN 55032 class B
- High efficiency up to 89%
- Protection class II prepared
- 3-year product warranty

Pin Connections	
Pin	Single
1	AC (L)
2	AC (N)
3	-Vout
4	NC
5	+Vout

TPP 15-J **15 Watt**

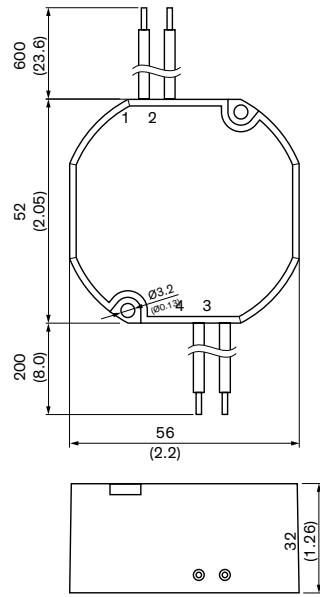


Model	Output Voltage nom.	Output Current max.	Efficiency typ.
TPP 15-103-J	3.3 VDC	4'000 mA	84 %
TPP 15-105-J	5 VDC	3'000 mA	86 %
TPP 15-109-J	9 VDC	1'670 mA	86 %
TPP 15-112-J	12 VDC	1'250 mA	87 %
TPP 15-115-J	15 VDC	1'000 mA	87 %
TPP 15-124-J	24 VDC	625 mA	88 %
TPP 15-136-J	36 VDC	417 mA	88 %
TPP 15-148-J	48 VDC	313 mA	89 %

- Chassis Mount (2.82 x 1.14 x 0.82")
- IEC/EN/ES 60601-1 3rd ed. (2xMOPP)
- IEC/EN/UL 62368-1 approved
- Low leakage current <75 µA
- Rated for BF applications
- IEC 60601-1-2 4th edition EMC
- ErP compliant (<75 mW no load)
- ISO 14971 risk management file
- IPC-A-610 Level 2 acceptance criteria
- Protection class II
- Operating up to 5000m altitude
- 5-year product warranty

Pin Connectors			
Input		Output	
Pin	Function	Pin	Function
1	Line	1	-Vout
3	Neutral	2	+Vout

TIW 24 **24 Watt**

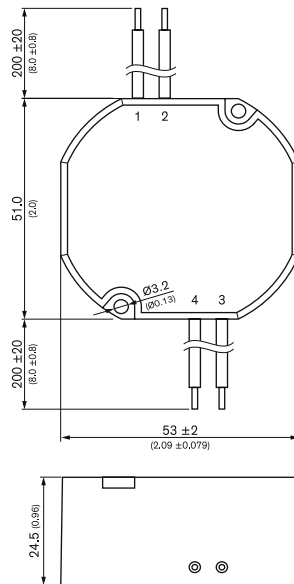


Model	Output Voltage	Output Current	Efficiency typ.
TIW 24-112	12 VDC	2.0 A	83 %
TIW 24-124	24 VDC	1.0 A	85 %

- High efficiency power supplies
- Installation into standard flush boxes
- Fully encapsulated plastic housing
- Dust and waterproof to IP 67
- Protection class II
- Approval to EN 60355-1
- Approved for mounting onto wood or materials with unknown flammability
- Ready to meet ErP directive
- Universal input range 93 to 264 VAC
- -25°C to +50° temperature range
- Short circuit and overload protection
- 3-year product warranty

Pinout			
Pin	Wire	Color	Type
1	AC (N)	Blue	20AWG/0.52mm ²
2	AC (L)	Brown	20AWG/0.52mm ²
3	-Vout	Black	20AWG/0.52mm ²
4	+Vout	Red	20AWG/0.52mm ²

TMW 24 **NEW - under development** **24 Watt**



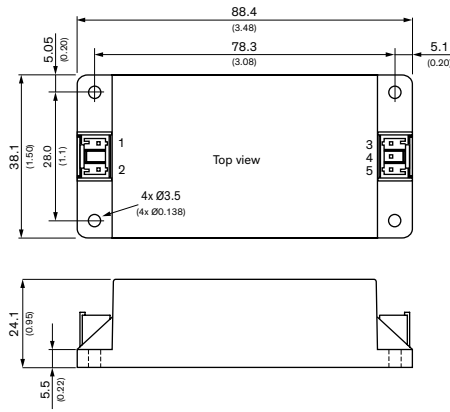
Model	Output Voltage nom.	Output Current max.	Efficiency typ.
TMW 24-105	5 VDC	4000 mA	85 %
TMW 24-112	12 VDC	2000 mA	85 %
TMW 24-124	24 VDC	1000 mA	90 %

* Also available as pin version: suffix -P

- Fully encapsulated power supplies in
- IP68 casing with flying leads
- IEC/EN/ES 60601-1 3rd ed. (2xMOPP)
- ISO 14971 risk management file
- Effortless flush box mounting
- Fire safety for furniture
- Low leakage current <100 µA
- Rated for BF applications
- -20°C to +80°C temperature range
- Protection against short-circuit, overload and over voltage
- Protection class II prepared
- 5 year product warranty

Pinout / Conecction			
Pin	Wire	Color	Type
1	Vac IN (N)	Blue	20AWG/0.52mm ²
2	Vac IN (L)	Brown	20AWG/0.52mm ²
3	-Vout	Black	20AWG/0.52mm ²
4	+Vout	Red	20AWG/0.52mm ²

TMPW 25-J **NEW!** **25 Watt**

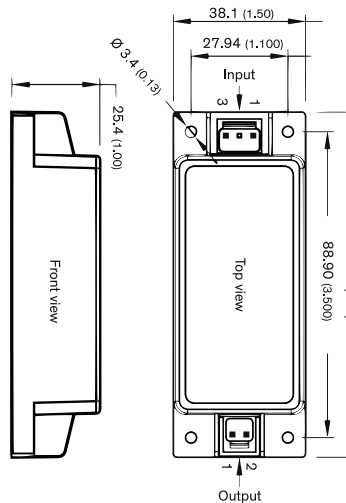


Model	Output Voltage nom.	Output Current max.	Efficiency typ.
TMPW 25-105-J	5.1 VDC	3922 mA	84 %
TMPW 25-112-J	12 VDC	2083 mA	88 %
TMPW 25-115-J	15 VDC	1666 mA	88 %
TMPW 25-124-J	24 VDC	1042 mA	87 %

- Chassis Mount (3.48 x 1.50 x 0.95")
- Wide 90-305 VAC input voltage range
- EN 60355-1 and IEC/EN/UL 62368-1
- ErP compliant (<100 mW no load)
- I/O-isolation 4000 VAC
- -40° to +70°C temperature range
- EMI meets EN 55032 class B
- High efficiency up to 89%
- Protection class II prepared
- 3-year product warranty

Pin Connections	
Pin	Single
1	AC (L)
2	AC (N)
3	-Vout
4	NC
5	+Vout

TPP 30-J **30 Watt**



Model	Output Voltage nom. (adjustable)	Output Current max.	Efficiency typ.
TPP 30-103-J	3.3 VDC (2.97 - 3.63 VDC)	6'000 mA	84 %
TPP 30-105-J	5 VDC (4.5 - 5.5 VDC)	6'000 mA	87 %
TPP 30-109-J	9 VDC (8.1 - 9.9 VDC)	3'340 mA	88 %
TPP 30-112-J	12 VDC (10.8 - 13.2 VDC)	2'500 mA	91 %
TPP 30-115-J	15 VDC (13.5 - 16.5 VDC)	2'000 mA	91 %
TPP 30-124-J	24 VDC (21.6 - 26.4 VDC)	1'250 mA	90 %
TPP 30-136-J	36 VDC (32.4 - 39.6 VDC)	840 mA	90 %
TPP 30-148-J	48 VDC (43.2 - 52.8 VDC)	630 mA	92 %

- Chassis Mount (3.95 x 1.50 x 1.00")
- IEC/EN/ES 60601-1 3rd ed. (2xMOPP)
- IEC/EN/UL 62368-1 approved
- ErP compliant (<60 mW no load)
- Low leakage current <75 µA
- Rated for BF applications
- IEC 60601-1-2 4th edition EMC
- ISO 14971 risk management file
- IPC-A-610 Level 2 criteria
- Protection class II
- Operating up to 5000m altitude
- 5-year product warranty

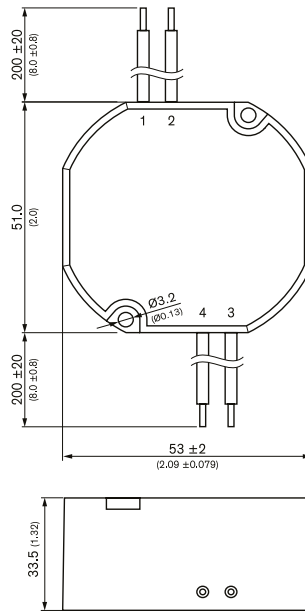
Pin Connectors			
Input		Output	
Pin	Function	Pin	Function
1	Line	1	+Vout
3	Neutral	2	-Vout

TMW 36 **NEW - under development**

36 Watt



- Fully encapsulated power supplies
- in IP68 casing with flying leads
- IEC/EN/ES 60601-1 3rd ed. (2xMOPP)
- ISO 14971 risk management file
- Effortless flush box mounting
- Fire safety for furniture
- Low leakage current <100 µA
- Rated for BF applications
- -20°C to +80°C temperature range
- Protection against short-circuit, over load and over voltage
- Protection class II prepared
- 5 year product warranty



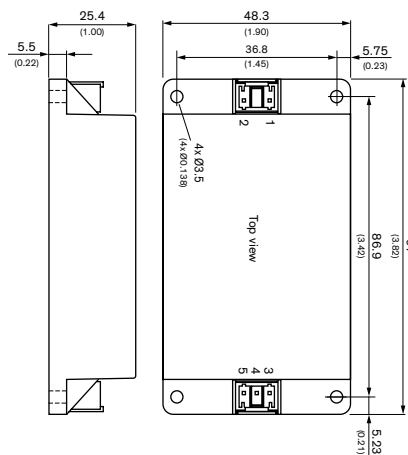
Pinout / Connection			
Pin	Wire	Color	Type
1	Vac IN (N)	Blue	20AWG/0.52mm ²
2	Vac IN (L)	Brown	20AWG/0.52mm ²
3	-Vout	Black	20AWG/0.52mm ²
4	+Vout	Red	20AWG/0.52mm ²

Model	Output Voltage nom.	Output Current max.	Efficiency typ.
TMW 36-112	12 VDC	3.0 A	87 %
TMW 36-124	24 VDC	1.5 A	88 %

* Also available as pin version: suffix -P

TMPW 50-J **NEW!**

50 Watt



- Chassis Mount (3.92 x 1.90 x 1.00")
- Wide 90-305 VAC input voltage range
- EN 60355-1 and IEC/EN/UL 62368-1
- ErP compliant (<100 mW no load)
- I/O-isolation 4000 VAC
- -40° to +70°C temperature range
- EMI meets EN 55032 class B
- High efficiency up to 89%
- Protection class II prepared
- 3-year product warranty

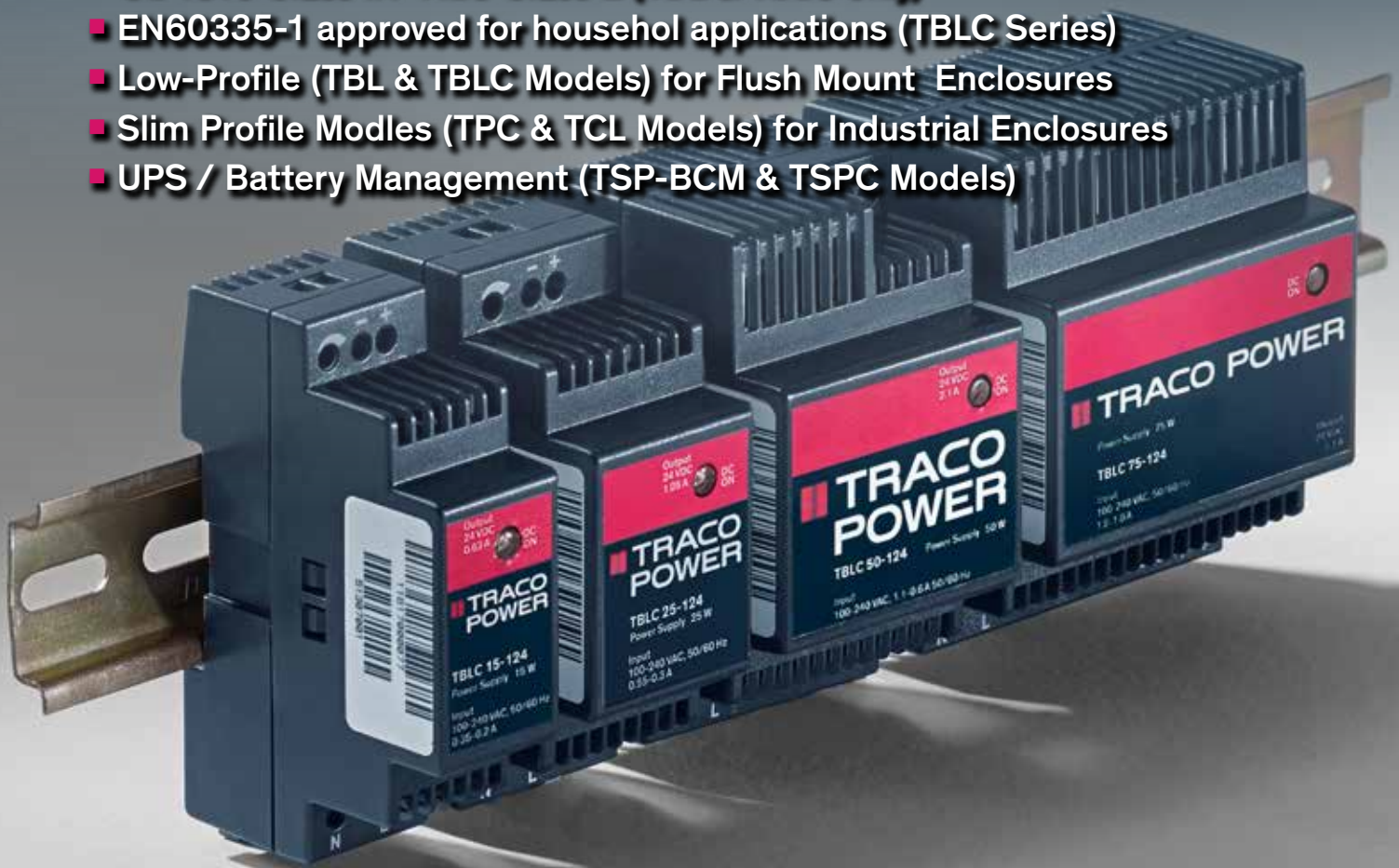
Pin Connections	
Pin	Single
1	AC (N)
2	AC (L)
3	-Vout
4	NC
5	+Vout

Model	Output Voltage nom.	Output Current max.	Efficiency typ.
TMPW 50-112-J	12 VDC	4167 mA	89 %
TMPW 50-115-J	15 VDC	3333 mA	88 %
TMPW 50-124-J	24 VDC	2083 mA	88 %

RUGGED & RELIABLE AC/DC POWER SUPPLIES

DIN Rail Mount Power Supplies

- UL 60950-1 Approved
- IEC/EN61010-1 & 61010-2-201
- UL 508 Approved (industrial environments)
- UL 1310 Class II / NEC Class 2 (TBL & TBLC only)
- EN60335-1 approved for household applications (TBLC Series)
- Low-Profile (TBL & TBLC Models) for Flush Mount Enclosures
- Slim Profile Models (TPC & TCL Models) for Industrial Enclosures
- UPS / Battery Management (TSP-BCM & TSPC Models)

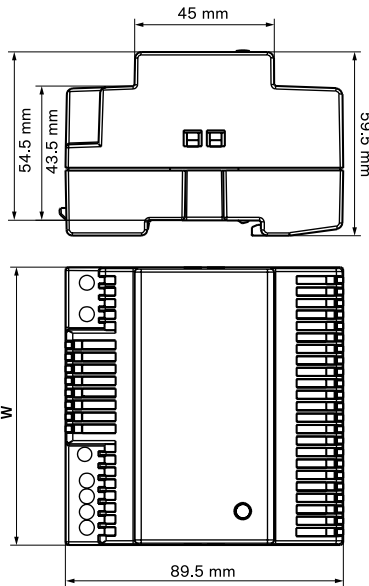


TRACOPOWER DIN Rail Mount power supplies enable next generation smart applications

IOT (INTERNET OF THINGS) | IIOT (INDUSTRIAL INTERNET OF THINGS) | INDUSTRY 4.0



TBLC **6–90 Watt**



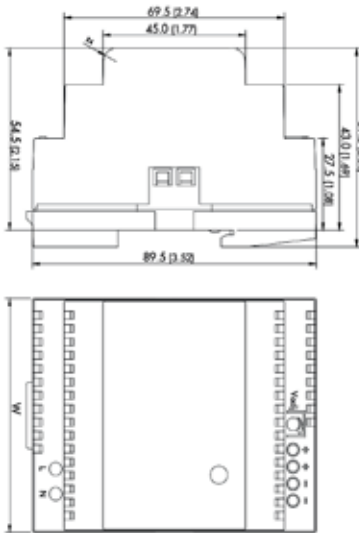
Model	Output Power (max.)	Output Voltage* (nom.)(adjust.)	Output Current (max.)	Efficiency (typ.)
TBLC 06-105	6 W	5.0VDC	1.2 A	74 %
TBLC 06-112	6 W	12VDC	0.5 A	81 %
TBLC 06-124	6 W	24 VDC	0.25 A	79 %
TBLC 15-105	12 W	5.0VDC	2.4 A	81 %
TBLC 15-112	15 W	12 VDC	1.25 A	85 %
TBLC 15-124	15 W	24 VDC	0.63 A	85 %
TBLC 25-105	20 W	5.0VDC	4.0 A	82 %
TBLC 25-112	24 W	12 VDC	2.0 A	86 %
TBLC 25-124	25 W	24 VDC	1.05 A	87 %
TBLC 50-112	48 W	12 VDC	4.0 A	88 %
TBLC 50-124	50 W	24 VDC	2.1 A	89 %
TBLC 75-112	72 W	12 VDC	6.0 A	89 %
TBLC 75-124	75 W	24 VDC	3.1 A	89 %
TBLC 90-112	90 W	12 VDC	7.5 A	90 %
TBLC 90-124	90 W	24 VDC	3.75 A	90 %

* Output voltage can be adjusted as indicated. However, output power has to be maintained at nominal value. This means the output nominal current has to be reduced in accordance with the increase of output voltage.

- UL 60950-1 Approved
- IEC/EN61010-1 & 61010-2-201
- UL 1310 class II, NEC class 2 compliance
- UL 508 listed
- Low profile, module depth only 55mm
- Very high efficiency and low standby power - compliance to ECO-Standard
- Low output ripples and spikes
- -25°C to +70°C temperature range
- Adjustable output voltage
- Short circuit and overload protection
- DC-OK indicator LED
- 3-year product warranty

Dimension Table		Weight
Model	Width [W]	[g]
TBLC 06	18 mm	60
TBLC 15	27 mm	80
TBLC 25	36 mm	110
TBLC 50	54 mm	180
TBLC 75	72 mm	220
TBLC 90	90 mm	280

TBL **15–150 Watt**

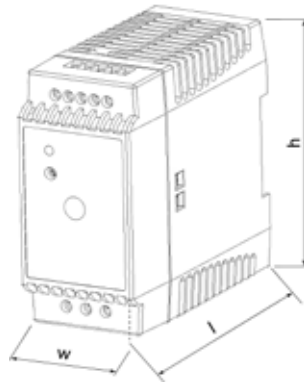


Model	Output Power (max.)	Output Voltage* (nom.)(adjust.)	Output Current (max.)	Efficiency (typ.)
TBL 015-105	12 W	5.0VDC	2.4 A	73 %
TBL 015-112	15 W	12VDC	1.25 A	79 %
TBL 015-124	15 W	24 VDC	0.63 A	81 %
TBL 030-112	30 W	12VDC	2.5 A	81 %
TBL 030-124	30 W	24 VDC	1.25 A	83 %
TBL 060-112	54 W	12 VDC	4.5 A	83 %
TBL 060-124	60 W	24 VDC	2.5 A	85 %
TBL 090-112	72 W	12VDC	6.0 A	84 %
TBL 090-124	90 W	24 VDC	3.75 A	86 %
TBL 150-112	120 W	12VDC	10 A	84 %
TBL 150-124	150 W	24 VDC	6.25 A	87 %

- UL 60950-1 Approved
- IEC/EN61010-1 & 61010-2-201
- UL 508 listed
- UL 1310 class II, NEC class 2 compliance (up to 90 W)
- Low profile, module depth only 55mm
- Fits flat control panels
- -25°C to +70°C temperature range
- Adjustable output voltage
- Short circuit and overload protection
- DC-OK indicator
- Easy snap-on mounting on DIN-rail or wall mounting bracket (included)
- 3-year product warranty

Dimension Table		Weight
Model	Width [W]	[g]
TBL 015	26.3 mm	100
TBL 030	52.5 mm	160
TBL 060	70.0 mm	230
TBL 090	105 mm	340
TBL 150	175 mm	625

TPC **30–120 Watt**

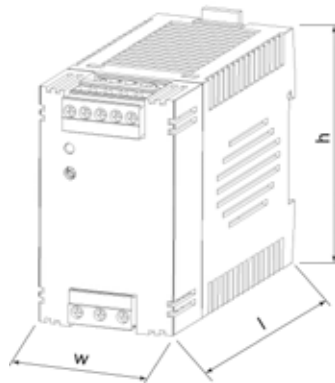


Model	Input Voltage Ranges	Output Power max.	Output Voltage nom./ adj. range	Output Current (max.)
TPC 030–105	85–264 VAC Universal Input 47/63 Hz	20 W	5.0 VDC / 5.0–6.0 VDC	4.0 A
TPC 030–112		26 W	12 VDC / 12–15 VDC	2.2 A
TPC 030–124		30 W	24 VDC / 24–28.8 VDC	1.25 A
TPC 030–148		30 W	48 VDC / 48–56 VDC	0.6 A
TPC 055–112	90–375 VDC	42 W	12 VDC / 12–15 VDC	3.5 A
TPC 055–124		55 W	24 VDC / 24–28.8 VDC	2.3 A
TPC 055–148		55 W	48 VDC / 48–56 VDC	1.15 A
TPC 080–112	90–375 VDC	72 W	12 VDC / 12–15 VDC	6.0 A
TPC 080–124		80 W	24 VDC / 24–28.8 VDC	3.3 A
TPC 080–148		80 W	48 VDC / 48–56 VDC	1.7 A
TPC 120–112		96 W	12 VDC / 12–15 VDC	8.0 A
TPC 120–124	90–375 VDC	120 W	24 VDC / 24–28.8 VDC	5.0 A
TPC 120–148		120 W	48 VDC / 48–56 VDC	2.5 A

- UL 60950-1 Approved
- IEC/EN61010-1 & 61010-2-201
- UL 508 listed
- ErP compliant (<300 mW no load)
- High efficiency across full load range
- DIN-rails or wall mounting bracket
- Output voltage adjustable
- -25°C to +70°C temperature range
- Power good signal
- Low ripple and noise
- Overload and short-circuit protection
- Optional module for parallel and redundant operation
- 3-year product warranty

Dimension Table			
Model	Width [W]	Length[l]	Height[h]
TPC 30	26.5 mm	96.5 mm	90 mm
TPC 55	45 mm	96.5 mm	90 mm
TPC 80	63 mm	96.5 mm	90 mm
TPC 120	72 mm	96.5 mm	90 mm

TCL **24–240 Watt**

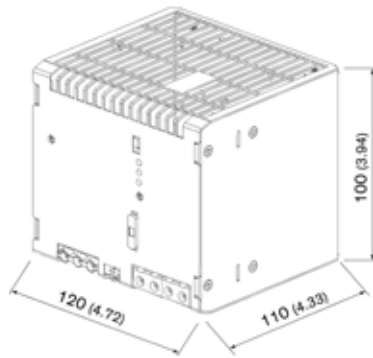


Model	Input Voltage Ranges	Output Power max.	Output Voltage nom.	Output Current (max.)	Connection
TCL 024–105	85 – 264 VAC Universal Input 50/60 Hz	20 W	5VDC	4.0 A	Detachable screw terminal blocks
TCL 024–112		24 W	12VDC	2.0 A	
TCL 024–124		24 W	24 VDC	1.0 A	
TCL 060–112		60 W	12 VDC	4.0 A	
TCL 060–124	85 – 375 VDC	60 W	24 VDC	2.5 A	Spring clamp terminals
TCL 060–148		60 W	48 VDC	1.25 A	
TCL 120–112		120 W	12 VDC	8.0 A	
TCL 120–124	85–132 / 187–264 VAC	120 W	24 VDC	5.0 A	Spring clamp terminals
TCL 240–124		240 W	24 VDC	10.0 A	
TCL 024–124C	85 – 264 VAC Universal Input 50/60 Hz	24 W	24 VDC	1.0 A	Spring clamp terminals
TCL 060–112C		60 W	12 VDC	4.0 A	
TCL 060–124C		60 W	24 VDC	2.5 A	
TCL 060–148C	85 – 375 VDC	60 W	48 VDC	1.25 A	Spring clamp terminals
TCL 120–112C		120 W	12 VDC	8.0 A	
TCL 120–124C	120 W	24 VDC	5.0 A	Spring clamp terminals	

- UL 60950-1 Approved
- IEC/EN61010-1 & 61010-2-201
- UL 508 listed
- Connection by spring clamp terminals or detachable screw terminal block
- DIN-rails or wall mount adaptor
- Output voltage adjustable
- Power OK signal
- -10°C to +70°C temperature range
- Overload and short-circuit protection
- Parallel operation possible
- Redundancy module
- 3-year product warranty

Dimension Table			
Model	Width [W]	Length[l]	Height[h]
TCL 024	27 mm	100 mm	75 mm
TCL 60	45 mm	100 mm	75 mm
TCL 120	85 mm	100 mm	75 mm
TCL 240	85 mm	125 mm	110 mm

TSPC-240-124UPS **240 Watt**

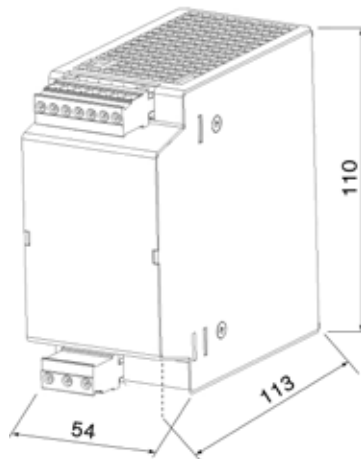


Model	Input Voltage Range	Output Current max.*	Back up Battery
TSPC 240-124 UPS	Low Line: 85–132 VAC High Line: 187–264 VAC	24 VDC / 12 A	12V lead acid battery (to purchase on local market, or TRACO POWER battery pack)

* Maximum current at nominal Vout

- 24 VDC power supply + integrated battery management system
- UL 508, UL 60950-1, EN 60204-1
- ATEX Approved (for IP 54 enclosure)
- Full battery management & protection
- Input, output and battery alarms
- Remote On/Off for UPS function and power supply
- Controlled end of charge voltage by battery temperature sensor
- Use with 12 VDC lead acid batteries
- -25°C to +70°C temperature range
- 3-year product warranty

TSP-BCMU360 **360 Watt**



Model	Inputs	Input Voltage Range	Output Current max.*	Back up Battery
TSP-BCMU360	2 × 360 W, for any single or two identical 24 VDC or 48 VDC sources	24–28 or 48–56 VDC (range selection with jumper)	24 VDC / 15 A 48 VDC / 7.5 A	12V lead acid battery (to purchase on local market, or TRACO POWER battery pack)

* Maximum current at nominal Vout

- Battery controller 24 / 48VDC UPS
- UL 508 Listed, UL 60950-1 approved
- Redundant DC inputs
- Full battery management & protection
- Input, output and battery alarms
- Remote On/Off for UPS and power supply
- International safety approval package
- Use with 12 VDC lead acid batteries
- -25°C to +70°C temperature range
- 3-year product warranty

TRACO POWER

Traco Power product offering includes vertical market solutions with market-focused catalogs and a complete product overview Short Form

TRACO POWER

2020-2021 | Short Form Selection Guide
DC/DC Converters
AC/DC Power Supplies



www.tracopower.com



TRACO POWER

2020-2021 | Medical Power Solutions
 IEC / EN / ES 60601-1 3rd Edition Approved
 AC/DC Power Supplies & DC/DC Converters



www.tracopower.com



TRACO POWER

2020-2021 | Industrial & IIoT Power Solutions
 2 - 850 Watt AC/DC Power Supplies
 6 - 600 Watt Din Rail Power Solutions
 1 - 300 Watt DC/DC Converters



www.tracopower.com



TRACO POWER

2020-2021 | Ruggedized DC/DC Converters
 Railway Certified to EN 50155
 3 - 300 Watts



www.tracopower.com



International Office

Traco Electronic AG
 Sihlbruggstrasse 111
 6340 Baar
 Switzerland

P +41 43 311 45 11
 F +41 43 311 45 45
 info@tracopower.com

German Office

Traco Electronic GmbH
 Oskar-Messter-Str. 20a
 85737 Ismaning/München
 Germany

P +49 89 96 11 82-0
 F +49 89 96 11 82-20
 info@tracopower.de

French Office

Traco Power France
 17, rue de la Vanne
 92120 Montrouge
 France

M +33 (0)6 72 11 52 21
 info@tracopower.fr

North America Office

Traco Power North America, Inc.
 2025 Gateway Place #330
 SAN JOSE, CA 95110
 USA

P +1 (408) 916-4570
 F +1 (408) 916-4571
 salesusa@tracopower.com

Design & Development

Traco Power Solutions Ltd.
 Whitemill Industrial Estate
 Whitemill Road, Wexford
 Y35 YH66, Ireland

P +353 53 9167 700
 F +353 53 9167 701
 info@tracopower.ie