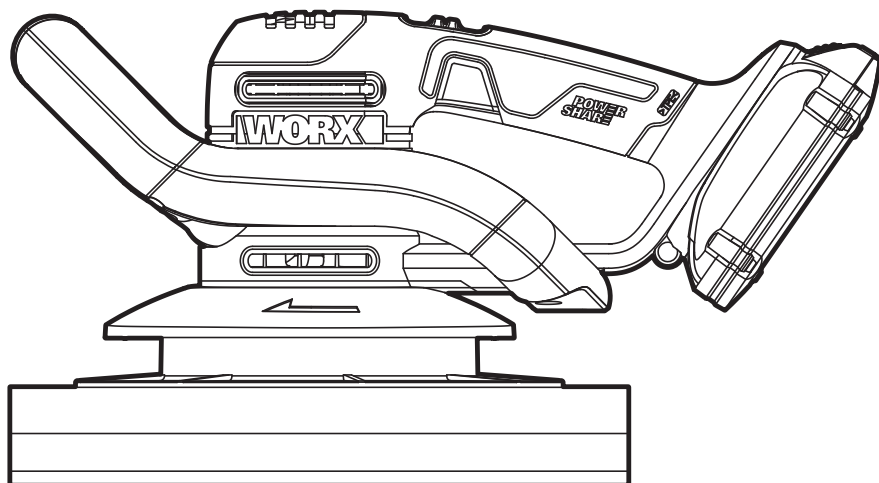


# WORX®



**20V Cordless Orbital Buffer**

**EN**

**P03**

**Tampon orbital sans fil 20V**

**F**

**P11**

**Regulador orbital inalámbrico de 20V**

**ES**

**P18**



HELPLINE NUMBER  
NUMERO DU SERVICE D'ASSISTANCE  
NUMERO DE LINEA DE AYUDA  
1-866-354-WORX (9679)

**WX856L WX856L.X**



# PRODUCT SAFETY

**⚠ WARNING:** Some dust created by power sanding, sawing, grinding, drilling and other construction activities contains chemicals known to the State of California to cause cancer, birth defects or other reproductive harm. Some examples of these chemicals are:

- Lead from lead-based paints;
- Crystalline silica from bricks and cement and other masonry products;
- Arsenic and chromium from chemically-treated lumber.

Your risk from these exposures varies, depending on how often you do this type of work. To reduce your exposure to these chemicals, work in a well ventilated area, and work with approved safety equipment, such as those dust masks that are specially designed to filter out microscopic particles.

**⚠ WARNING:** This product can expose you to chemicals including lead and Di (2-ethylhexyl)phthalate (DEHP) which are known to the State of California to cause cancer and birth defects or other reproductive harm. For more information go to [www.P65Warnings.ca.gov](http://www.P65Warnings.ca.gov).

## GENERAL POWER TOOL SAFETY WARNINGS

**⚠ WARNING:** Read all safety warnings, instructions, illustrations and specifications provided with this power tool. Failure to follow all instructions listed below may result in electric shock, fire and/or serious injury.

Save all warnings and instructions for future reference.

The term "power tool" in the warnings refers to your mains-operated (corded) power tool or battery-operated (cordless) power tool.

- 1) Work area safety**
  - a) **Keep work area clean and well lit. Cluttered or dark areas invite accidents.**
  - b) **Do not operate power tools in explosive atmospheres, such as in the presence of flammable liquids, gases or dust.** Power tools create sparks which may ignite the dust or fumes.
  - c) **Keep children and bystanders away while operating a power tool.** Distractions can cause you to lose control.
- 2) Electrical safety**
  - a) **Power tool plugs must match the outlet. Never modify the plug in any way. Do not use any adapter plugs with earthed (grounded) power tools.** Unmodified plugs and matching outlets will reduce risk of electric shock.
  - b) **Avoid body contact with earthed or**

**grounded surfaces, such as pipes, radiators, ranges and refrigerators.** There is an increased risk of electric shock if your body is earthed or grounded.

- c) **Do not expose power tools to rain or wet conditions.** Water entering a power tool will increase the risk of electric shock.
  - d) **Do not abuse the cord. Never use the cord for carrying, pulling or unplugging the power tool. Keep cord away from heat, oil, sharp edges or moving parts.** Damaged or entangled cords increase the risk of electric shock.
  - e) **When operating a power tool outdoors, use an extension cord suitable for outdoor use.** Use of a cord suitable for outdoor use reduces the risk of electric shock.
  - f) **If operating a power tool in a damp location is unavoidable, use a residual current device (RCD) protected supply.** Use of an RCD reduces the risk of electric shock.
- 3) Personal safety**
    - a) **Stay alert, watch what you are doing and use common sense when operating a power tool. Do not use a power tool while you are tired or under the influence of drugs, alcohol or medication.** A moment of inattention while operating power tools may result in serious personal injury.
    - b) **Use personal protective equipment. Always wear eye protection.** Protective equipment such as dust mask, non-skid safety shoes, hard hat, or hearing protection used for appropriate conditions will reduce personal injuries.
    - c) **Prevent unintentional starting. Ensure the switch is in the off-position before connecting to power source and/or battery pack, picking up or carrying the tool.** Carrying power tools with your finger on the switch or energizing power tools that have the switch on invites accidents.
    - d) **Remove any adjusting key or wrench before turning the power tool on.** A wrench or a key left attached to a rotating part of the power tool may result in personal injury.
    - e) **Do not overreach. Keep proper footing and balance at all times.** This enables better control of the power tool in unexpected situations.
    - f) **Dress properly. Do not wear loose clothing or jewelry. Keep your hair and clothing away from moving parts.** Loose clothes, jewelry or long hair can be caught in moving parts.
    - g) **If devices are provided for the connection of dust extraction and collection facilities, ensure these are connected and properly used.** Use of dust collection can reduce dust-related hazards.
    - h) **Do not let familiarity gained from frequent use of tools allow you to become complacent and ignore tool safety principles.** A careless action can cause severe injury within a fraction of a second.

- 4) Power tool use and care**
- a) Do not force the power tool. Use the correct power tool for your application.** *The correct power tool will do the job better and safer at the rate for which it was designed.*
- b) Do not use the power tool if the switch does not turn it on and off.** *Any power tool that cannot be controlled with the switch is dangerous and must be repaired.*
- c) Disconnect the plug from the power source and/or remove the battery pack, if detachable, from the power tool before making any adjustments, changing accessories, or storing power tools.** *Such preventive safety measures reduce the risk of starting the power tool accidentally.*
- d) Store idle power tools out of the reach of children and do not allow persons unfamiliar with the power tool or these instructions to operate the power tool.** *Power tools are dangerous in the hands of untrained users.*
- e) Maintain power tools and accessories. Check for misalignment or binding of moving parts, breakage of parts and any other condition that may affect the power tool's operation.** *If damaged, have the power tool repaired before use. Many accidents are caused by poorly maintained power tools.*
- f) Keep cutting tools sharp and clean.** *Properly maintained cutting tools with sharp cutting edges are less likely to bind and are easier to control.*
- 4 g) Use the power tool, accessories and tool bits etc. in accordance with these instructions, taking into account the working conditions and the work to be performed.** *Use of the power tool for operations different from those intended could result in a hazardous situation.*
- h) Keep handles and grasping surfaces dry, clean and free from oil and grease.** *Slippery handles and grasping surfaces do not allow for safe handling and control of the tool in unexpected situations.*
- 5) Battery tool use and care**
- a) Recharge only with the charger specified by the manufacturer.** *A charger that is suitable for one type of battery pack may create a risk of fire when used with another battery pack.*
- b) Use power tools only with specifically designated battery packs.** *Use of any other battery packs may create a risk of injury and fire.*
- c) When battery pack is not in use, keep it away from other metal objects, like paper clips, coins, keys, nails, screws or other small metal objects, that can make a connection from one terminal to another.** *Shorting the battery terminals together may cause burns or a fire.*
- d) Under abusive conditions, liquid may be ejected from the battery; avoid contact. If contact accidentally occurs, flush with water. If liquid contacts eyes, additionally seek medical help.** *Liquid ejected from the battery may cause irritation or burns.*
- e) Do not use a battery pack or tool that is**

**damaged or modified.** *Damaged or modified batteries may exhibit unpredictable behavior resulting in fire, explosion or risk of injury.*

- f) Do not expose a battery pack or tool to fire or excessive temperature.** *Exposure to fire or temperature above 270 °F (130 °C) may cause explosion.*
- g) Follow all charging instructions and do not charge the battery pack or tool outside the temperature range specified in the instructions.** *Charging improperly or at temperatures outside the specified range may damage the battery and increase the risk of fire.*
- 6) Service**
- a) Have your power tool serviced by a qualified repair person using only identical replacement parts.** *This will ensure that the safety of the power tool is maintained.*
- b) Never service damaged battery packs.** *Service of battery packs should only be performed by the manufacturer or authorized service providers.*

## ADDITIONAL SAFETY INSTRUCTIONS FOR POLISHER

- Inspect the sponge pad before use. Do not use chipped, cracked or otherwise defective products.**
- Ensure that the bonnets are fitted in accordance with the manufacturer's instructions.**
- Ensure that the bonnet is correctly mounted and tightened before use and run the tool at no-load for 30 seconds in a safe position. Stop immediately if there is considerable vibration or if other defects are detected. If this condition occurs, check the machine to determine the cause.**
- For cleaning, personal protective equipment such as gloves and apron should be worn.**
- The wheel continues to rotate after the tool is switched off. Only withdraw the sponge pad when the pad has stopped moving.**
- Do not use the polisher as a fixed tool.**








## SAFETY WARNINGS FOR BATTERY PACK

- Do not dismantle, open or shred battery pack.**
- Do not expose battery pack to heat or fire. Avoid storage in direct sunlight.**
- Do not short-circuit a battery pack. Do not store battery packs haphazardly in a box or drawer where they may short-circuit each other or be short-circuited by other metal objects.** *When battery pack is not in use, keep it away from other metal objects, like paper clips, coins, keys, nails, screws or other small metal*

objects, that can make a connection from one terminal to another. Shorting the battery terminals together may cause burns or fire.

- d) **Do not remove battery pack from its original packaging until required for use.**
- e) **Do not subject battery pack to mechanical shock.**
- f) **In the event of battery leaking, do not allow the liquid to come in contact with the skin or eyes. If contact has been made, wash the affected area with copious amounts of water and seek medical advice.**
- g) **Observe the plus (+) and minus (-) marks on the battery back and equipment and ensure correct use.**
- h) **Do not use any battery pack which is not designed for use with the equipment.**
- i) **Keep battery pack out of the reach of children.**
- j) **Seek medical advice immediately if a cell or battery has been swallowed.**
- k) **Always purchase the battery pack recommended by the device manufacturer for the equipment.**
- l) **Keep battery pack clean and dry.**
- m) **Wipe the battery pack terminals with a clean dry cloth if they become dirty.**
- n) **Battery pack needs to be charged before use. Always use the correct charger and refer to the manufacturer's instructions or equipment manual for proper charging instructions.**
- o) **Do not leave battery pack on prolonged charge when not in use.**
- p) **After extended periods of storage, it may be necessary to charge and discharge the battery pack several times to obtain maximum performance.**
- q) **Battery pack gives its best performance when it is operated at normal room temperature 68 °F ± 40 °F (20 °C ± 5 °C).**
- r) **When disposing of battery packs, keep battery packs of different electrochemical systems separate from each other.**
- s) **Recharge only with the charger specified by WORX. Do not use any charger other than that specifically provided for use with the equipment.** A charger that is suitable for one type of battery pack may create a risk of fire when used with another battery pack.
- t) **Retain the original product literature for future reference.**
- u) **Use only the battery pack in the application for which it was intended.**
- v) **Remove the battery pack from the equipment when not in use.**
- w) **Dispose of properly.**

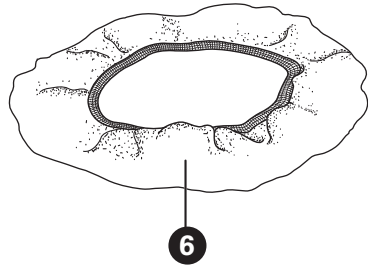
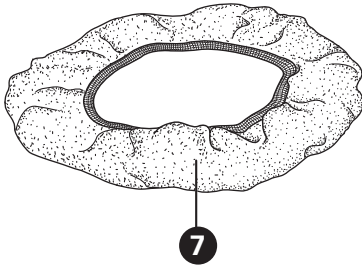
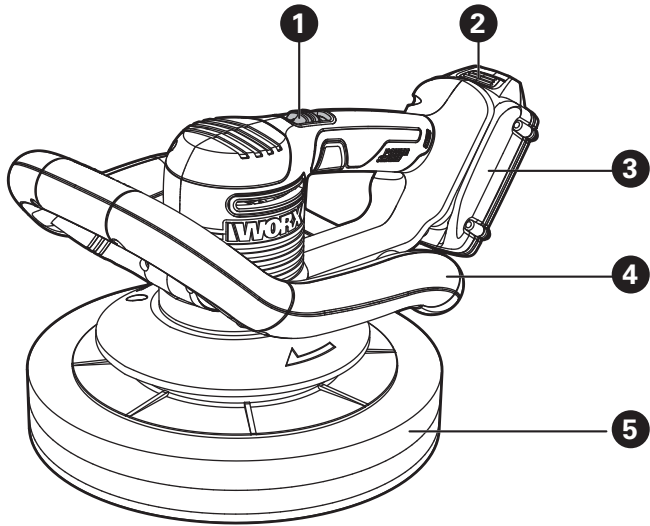
## SYMBOLS

	To reduce the risk of injury, user must read instruction manual
	Wear ear protection
	Wear eye protection
	Wear dust mask
	Batteries may enter water cycle if disposed improperly, which can be hazardous for ecosystem. Do not dispose of waste batteries as unsorted municipal waste.
	Do not burn
	Li-Ion battery, battery must be recycled



**call2recycle®**

POSITEC Inc. has established a partnership with the RBRC Corporation to recycle any Positec batteries with the RBRC-call2recycle seal. For environmental protection, please do not discard batteries in the trash. After the batteries' life cycle is ended, then please call 1-800-822-8837 for a free service that will properly dispose of the battery.




# COMPONENT LIST

<b>1. ON/OFF SWITCH</b>
<b>2. BATTERY RELEASE BUTTON *</b>
<b>3. BATTERY PACK *</b>
<b>4. HANDLE</b>
<b>5. FOAM PAD</b>
<b>6. ELASTIC APPLICATOR BONNET (TERRY CLOTH BONNET)</b>
<b>7. ELASTIC BUFFING BONNET (WOOL BONNET)</b>

\* Not all the accessories illustrated or described are included in standard delivery.

## TECHNICAL DATA

Type Designation: **WX856L WX856L.X**  
(856-designation of machinery, representative of Polisher)

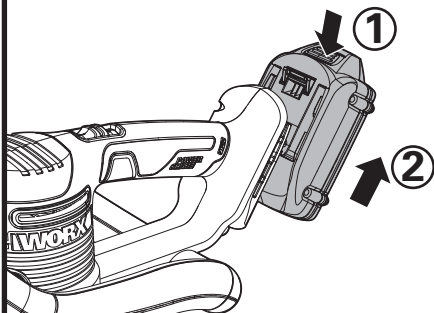
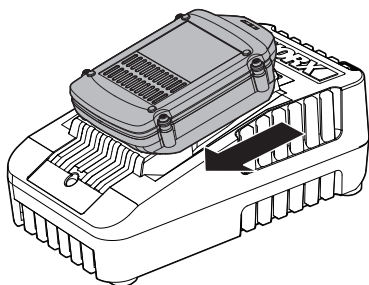
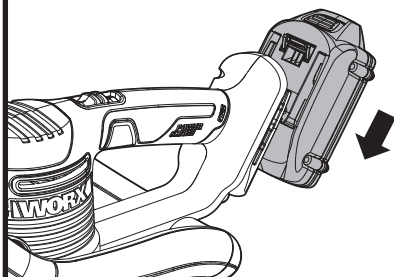
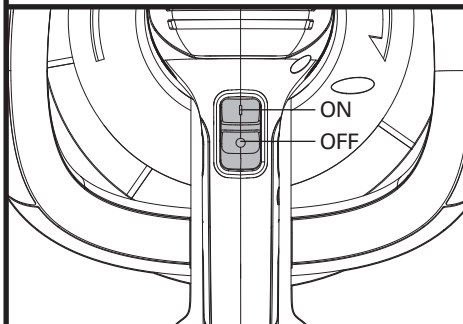
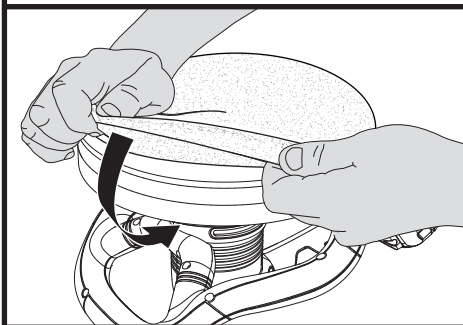
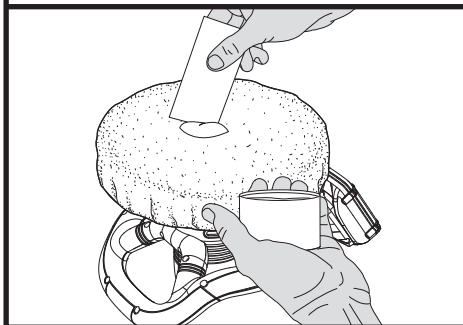
	<b>WX856L</b>	<b>WX856L.X**</b>
Rated voltage	20V  Max***	
No load speed	3000r/min	
Run time	40min	
Base plate size	10 in (254mm)	
Machine weight	4.4lbs (2.0kg)	

\*\* X may be followed by one or two characters. All models are the same except model number and trademark. The suffix in models may be number from "1" to "999" or English letter "A" to "Z" or "M1" to "M9" which means different package or the various of accessories packed in the package.

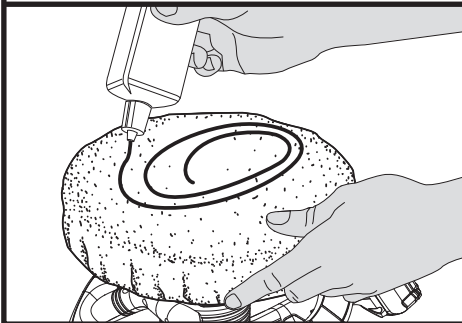
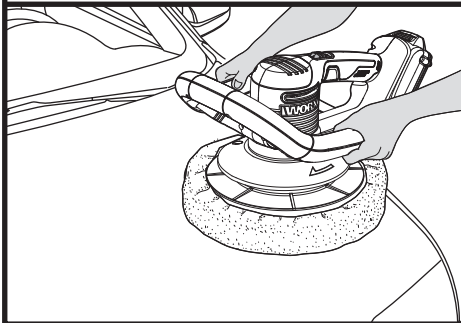
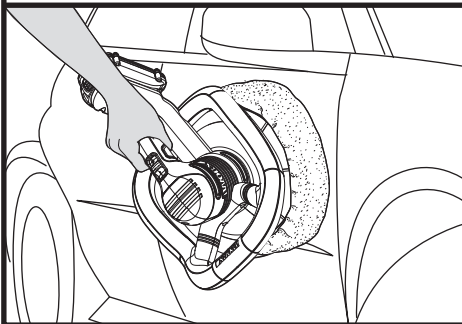
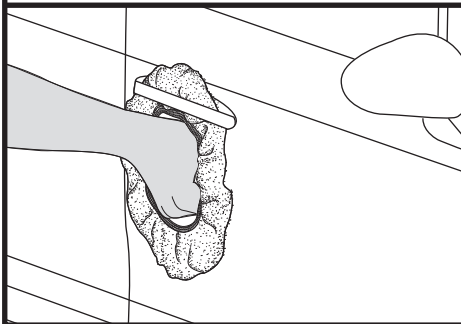
\*\*\*Voltage measured without workload. Initial battery voltage reaches maximum of 20 volts. Nominal voltage is 18 volts.

<b>Category</b>	<b>Model</b>	<b>Capacity</b>
20V Battery	WA3520	1.5Ah
	WA3525	2.0Ah
	WA3575	2.0Ah
	WA3578	4.0Ah
20V Charger	WA3742	0.4A
	WA3875	2.0A
	WA3881	2.0A

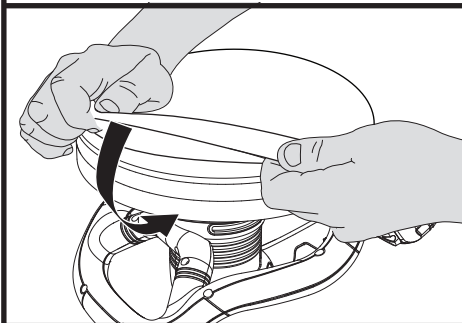
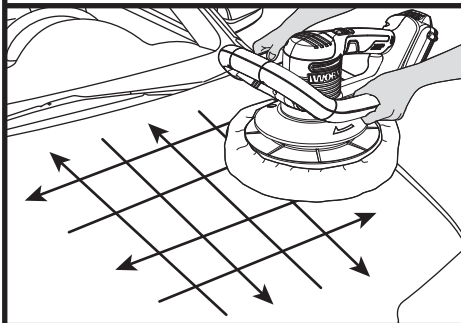
We recommend that you purchase your accessories from the same store that sold you the tool. Refer to the accessory packaging for further details. Store personnel can assist you and offer advice.

**A1****A2****A3****B****C****D1****D2****E1****20V Cordless Orbital Buffer****EN**



**D2****E1****E2****E3**

9

**F****G**

# OPERATING INSTRUCTIONS



**NOTE:** Before using the tool, read the instruction book carefully.

## INTENDED USE

The machine is intended for polishing floor, car and other coated surfaces.

### 1. INSTALL/REMOVE THE BATTERY PACK

**To install:** Place the switch in the OFF (O) position. Then, slide the battery pack into the polisher. (See Fig. A1)

**To remove:** Place the switch in the OFF (O) position. Then, press the button to remove the battery pack from the polisher. (See Fig. A3)

Charge the battery pack (See Fig. A2)

### 2. ON/OFF SWITCH (SEE FIG. B)

Always start and stop the polisher against the car surface. Slide switch to the ON (I) position to start the polisher, pull backward to OFF (O) position to stop it.

### 3. ATTACHING THE APPLICATOR BONNET TO THE FOAM PAD (SEE FIG. C)

Place the switch in the OFF (O) position. Remove the battery pack from the tool. Place the terry cloth bonnet securely over the foam pad. Always make sure that the elastic strip on the bonnet is securely stuck to the foam pad.

### 4. SPREAD THE POLISH

Spread about a tablespoonful of polish evenly over the entire surface of the pad cover. Do not apply polish directly to car.

Most polishes are either in the form of paste or liquid. Read all directions on appropriate applications and proper use before usage.

#### Application of paste polish (See Fig. D1)

Use flat, blunt object to apply properly one rounded teaspoon of paste onto the bonnet. Do not apply paste directly to the surface being polished. Spread the paste evenly over the entire surface of the bonnet.

#### Application of liquid polish (See Fig. D2)

Apply approximately half-dollar size of liquid around the center of the bonnet, followed by two more rings, each slightly larger than the previous one. The bonnet will not absorb as much polish after the first application. Apply two rings of polish to the bonnet for subsequent applications, using half of the initial quantity.

**NOTE:** Be careful not to use too much polish at one time. If the pad becomes saturated, it will not last as long.

### 5. TO USE THE CAR POLISHER

When the polisher is firmly positioned on the surface, slide the ON/OFF switch into the ON (I) position. Always start and stop the polisher on or against the surface being polished. Start by polishing larger flat surfaces, such as the hood, trunk and

roof. The pad cover will not adsorb as much when reloading. Use extensive sweeping motion in the crisscross pattern. Do not use a polisher to press the surface down. Use the orbital action of the pad and bonnet to do the work. After covering a flat surface, polish curved surfaces such as car doors and quarter panels. Use a small circular motion. After applying polish to the entire surface, turn the polisher off. Wait until the pad stops rotating lifting the polisher from the surface. (See Fig.E1)

**NOTE:** It is also convenient to use one hand to polish the roof and car sides. (See Fig. E2)

#### Polish the smaller surfaces (See Fig. E3)

For hard to reach areas, such as the underside of bumpers or side mirrors, apply polish by hand.

### 6. CHANGE TO BUFFING/POLISHING BONNET TO THE FOAM PAD (SEE FIG. F)

Place the wool bonnet on foam pad. Always make sure that the elastic strip on the bonnet is securely stuck to the foam pad.

### 7. BUFFING AND POLISHING - REMOVING THE WAX FROM THE SURFACE (SEE FIG. G)

**NOTE:** Wait until wax has dried to an even haze on vehicle. Remove wax in the same order in which it was applied.

Turn the polisher to the ON position. Polish and buff the entire surface until all dried wax is removed. Remove the bonnet from time to time and shake out the residue. The bonnet with excess residue will cause streaking. You may need to replace the bonnet if you can't get it clean enough to avoid streaking. Final buffing and polishing use a clean bonnet.

**NOTE:** For best results, use long, sweeping strokes in a criss-cross pattern when removing wax.

## WORKING TIPS FOR YOUR POLISHER

1. For best results, the surface should be clean and dry. Most high-gloss surfaces can be cleaned with mild soap and water solution. To remove stubborn dirt, such as road tar, grease, and bug stains, use a mild ammonia solution, such as one used in glass cleaners. Before using any cleaning product, check the label for recommended applications and follow the directions for use.
2. Always let the polisher work and do not force it or apply excessive pressure on the polisher. Preferably, use a light circular motion. Random orbital motion on this tool is better when less pressure is applied. Pressing too hard will slow down the machine's movement and affect the quality of work.
3. However, the most common mistake is to use too much wax. If pad absorbs too much wax, it will not last long, and polishing is more difficult and takes longer.
4. If bonnet continually comes off pad, please try with a new bonnet.
5. If the wax seems difficult to polish, you may have

used too much wax. Apply wax in a thin, even coat. Too much wax does not add any more protection and only makes the wax removal more difficult

## TROUBLESHOOTING

1. If the polisher does not abrade surface, checking the bonnet. If the bonnet has been worn, replace the new bonnet and try again.
2. If a fault can not be rectified, return the tool to an authorized dealer for repair.

## MAINTENANCE

**Remove the battery pack from the tool before carrying out any adjustment, servicing or maintenance.**

There are no user serviceable parts in your power tool. Never use water or chemical cleaners to clean your power tool. Wipe clean with a dry cloth. Always store your power tool in a dry place. Keep the motor ventilation slots clean. Keep all working controls free of dust. Occasionally you may see sparks through the ventilation slots. This is normal and will not damage your power tool.

## FOR BATTERY TOOLS

The ambient temperature range for the use and storage of tool and battery is 0°C-45°C (32°F-113°F). The recommended ambient temperature range for the charging system during charging is 0°C-40°C (32°F-104°F).

## SÉCURITÉ DU PRODUIT

**⚠ AVERTISSEMENT: Certaines des poussières produites en utilisant des outils électriques sont considérées par l'État de Californie comme susceptibles de provoquer le cancer, des anomalies congénitales et d'autres problèmes de reproduction. Voici des exemples de ces produits chimiques:**

- Plomb issu de peinture à base de plomb;
- Silice cristalline issue de briques et du ciment et autres produits de maçonnerie;
- Arsenic et chrome issus de bois traité chimiquement.

**Votre risque de ces expositions varie en fonction de la fréquence à laquelle vous effectuez ce travail. Pour réduire votre exposition à ces produits chimiques: travaillez dans une zone bien ventilée; portez un équipement de sécurité approuvé, tel que des masques anti poussières spécialement conçus pour éliminer les particules microscopiques par filtrage.**

**⚠ AVERTISSEMENT : Ce dispositif peut vous exposer aux produits chimiques notamment**

**le plomb et le di-phthalate (de 2-éthylhexyle) (DEHP) qui sont reconnus dans l'État de Californie comme causant des cancers et des anomalies congénitales ou d'autres anomalies de la reproduction. Pour en savoir plus, veuillez consulter le site [www.P65Warnings.ca.gov](http://www.P65Warnings.ca.gov).**

## AVERTISSEMENTS GENERAUX CONCERNANT LA SECURITE DES OUTILS ELECTRIQUES

**⚠ AVERTISSEMENT** Lisez et assimilez toutes les instructions. *Le non-respect des instructions ci-après peut entraîner un risque de choc électrique, d'incendie et/ou de blessures graves.*

**Conservez tous les avertissements et instructions pour pouvoir les consulter ultérieurement.**

*L'expression « outil électrique » dans tous les avertissements énumérés ci-dessous se réfère à votre outil électrique fonctionnant sur secteur (branché) ou à batterie (sans-fil).*

- 1) **Aire de travail**
  - a) **Veillez à ce que l'aire de travail soit propre et bien éclairée.** *Le désordre et le manque de lumière favorisent les accidents.*
  - b) **N'utilisez pas d'outils électriques dans un milieu présentant un risque d'explosion, par exemple en présence de liquides, de gaz ou de poussières inflammables.** *Les outils électriques créent des étincelles qui pourraient enflammer les poussières ou les vapeurs.*
  - c) **Gardez à distance les curieux, les enfants et les visiteurs lorsque vous travaillez avec un outil électrique.** *Ils pourraient vous distraire et vous faire faire une fausse manœuvre.*
- 2) **Sécurité électrique**
  - a) **Les fiches des outils électriques doivent correspondre aux prises murales. Ne jamais modifier la fiche de quelque façon que ce soit. Ne pas utiliser de fiches d'adaptation avec des outils électriques mis à la terre (mis à la masse).** *Des fiches non modifiées et des prises qui leur correspondent réduiront le risque de choc électrique.*
  - b) **Évitez tout contact corporel avec des surfaces mises à la terre (tuyauterie, radiateurs, cuisinières, réfrigérateurs, etc.)** *Le risque de choc électrique est plus grand si votre corps est en contact avec la terre.*
  - c) **N'exposez pas les outils électriques à la pluie ou à l'eau.** *La présence d'eau dans un outil électrique augmente le risque de choc électrique.*
  - d) **Ne maltraitez pas le cordon. Ne transportez jamais l'outil par son cordon**

**et ne débranchez jamais la fiche en tirant sur le cordon. N'exposez pas le cordon à la chaleur, à des huiles, à des arrêtes vives ou à des pièces en mouvement.** *Un cordon endommagé augmente le risque de choc électrique.*

- e) **Lorsque vous utilisez un outil électrique à l'extérieur, utilisez un prolongateur adapté à une utilisation en extérieur.** *L'utilisation d'un cordon adapté à une utilisation extérieure réduit le risque de choc électrique.*
- f) **Si vous devez utiliser un outil électrique dans un endroit humide, utilisez un dispositif de courant résiduel (RCD) d'alimentation protégée.** *L'utilisation d'un RCD réduit le risque de choc électrique.*
- 3) **Sécurité des personnes**
- a) **Restez alerte, concentrez-vous sur votre travail et faites preuve de bon sens. N'utilisez pas un outil électrique si vous êtes fatigué ou sous l'influence de drogues, d'alcool ou de médicaments.** *Un instant d'inattention lors de l'utilisation d'outils électriques peut entraîner des blessures graves.*
- b) **Utilisez des accessoires de sécurité. Portez toujours une protection oculaire.** *De l'équipement de sécurité tel que le masque antipoussière, les chaussures de sécurité antidérapantes, des casques durs ou des protections antibruit utilisés dans des conditions appropriées réduiront les blessures corporelles.*
- c) **Évitez les démarrages accidentels. Avant d'insérer la batterie dans l'outil, assurez-vous que son interrupteur est en position « OFF » (Arrêt) ou verrouillée.** *Le fait de transporter un outil avec le doigt sur la détente/l'interrupteur ou d'insérer la batterie dans un outil dont la détente est en position « ON » (Marche) peut causer un accident.*
- d) **Retirer les clés de réglage avant de mettre l'outil sous tension.** *Une clé restée attachée à une partie mobile de l'outil pourrait entraîner des blessures corporelles.*
- e) **Ne vous penchez pas trop en avant. Maintenez un bon appui et restez en équilibre en tout temps.** *Une bonne stabilité vous permet de mieux réagir à une situation inattendue.*
- f) **Habilitez-vous convenablement. Ne portez ni vêtements flottants ni bijoux. Gardez les cheveux,** *les vêtements et les gants éloignés des pièces en mouvement. Les vêtements flottants, les bijoux ou les cheveux longs risquent d'être happés par des pièces en mouvement.*
- g) **Si un sac de récupération de la poussière est fourni avec un connecteur pour aspirateur, assurez vous qu'il est correctement relié et utilisé de façon appropriée.** *L'utilisation de ce système réduit les dangers physiques et physiologiques liés à la poussière.*
- h) **Ne laissez pas les habitudes acquises par une utilisation fréquente d'outils relâcher notre vigilance et ignorer les principes de sécurité des outils.** *Une utilisation négligente*

*peut causer des blessures graves en une fraction de seconde.*

- 4) **Utilisation et entretien de l'outil**
- a) **Ne forcez pas l'outil. Utilisez l'outil approprié à la tâche.** *L'outil approprié fonctionne mieux et de façon plus sécuritaire. Respectez aussi la vitesse de travail qui lui est propre.*
- b) **N'utilisez pas un outil si l'interrupteur ne le met pas en marche ou ne peut l'arrêter.** *Un outil qui ne peut être contrôlé par l'interrupteur est dangereux et doit être réparé.*
- c) **Débranchez la batterie de l'outil ou mettez son interrupteur en position « OFF » (Arrêt) ou « LOCKED » (Verrouillé) avant d'effectuer un réglage, de changer d'accessoire ou de ranger l'outil.** *De telles mesures de sécurité préventive réduisent le risque de démarrage accidentel de l'outil.*
- d) **Rangez les outils hors de portée des enfants et d'autres personnes inexpérimentées.** *Les outils sont dangereux dans les mains d'utilisateurs novices.*
- e) **Prenez soin de bien entretenir les outils. Soyez attentif à tout désalignement ou coincement des pièces en mouvement, à tout bris ou à toute autre condition préjudiciable au bon fonctionnement de l'outil.** *Si vous constatez qu'un outil est endommagé, faites-le réparer avant de vous en servir. De nombreux accidents sont causés par des outils en mauvais état.*
- f) **Les outils de coupe doivent être toujours bien affûtés et propres.** *Des outils bien entretenus, dont les arêtes sont bien tranchantes, sont moins susceptibles de se coincer et plus faciles à contrôler.*
- g) **Utilisez l'outil électrique, les accessoires et les forets etc., en conformité avec ces instructions et de la manière conçue pour le type particulier d'outil électrique, prend en compte les conditions de travail et le travail qui doit être accompli.** *L'emploi de l'outil électrique pour des opérations différentes de celles pour lesquelles il a été conçu pourrait entraîner une situation dangereuse.*
- h) **Maintenez les poignées et les surfaces de prise sèches, propres et exemptes d'huile et de graisse.** *Des poignées et surfaces de prise glissantes ne permettent pas une manipulation et un contrôle sécurisés de l'outil dans des situations inattendues.*
- 5) **Utilisation de la batterie et entretien**
- a) **Un outil à batterie avec batteries incorporées ou une batterie séparée doit être rechargé uniquement avec le chargeur indiqué pour la batterie.** *Un chargeur qui peut être adéquat pour un type de batterie peut créer un risque d'incendie lorsqu'il est utilisé avec une autre batterie.*
- b) **Utiliser un outil à batterie uniquement avec la batterie désignée.** *L'emploi de toute autre batterie peut créer un risque d'incendie.*
- c) **Lorsque la batterie n'est pas utilisée, tenez-la à l'écart d'autres objets**

métalliques tels que trombones, pièces de monnaie, clés, clous, vis ou autres petits objets métalliques susceptibles d'établir une connexion d'une borne à une autre.

*Le court-circuitage des bornes de batterie peut causer des étincelles, des brûlures, une explosion ou un incendie.*

- d) **Dans le cadre de conditions d'abus, du fluide peut être éjecté de la batterie, évitez tout contact. Si un contact se produisait accidentellement, rincez abondamment avec de l'eau. Si le fluide touche les yeux, cherchez en plus de la mesure précédente de l'aide médicale.** *Le fluide éjecté de la batterie peut causer des irritations ou des brûlures.*
- e) **N'utilisez pas une batterie ou un outil endommagé ou modifié.** *Les batteries endommagées ou modifiées peuvent avoir un comportement imprévisible entraînant un incendie, une explosion ou un risque de blessure.*
- f) **N'exposez pas une batterie ou un outil au feu ou à une température excessive.** *Une exposition au feu ou à une température supérieure à 270 °F (130 °C) pourrait provoquer une explosion.*
- g) **Respectez toutes les instructions de chargement et ne chargez pas la batterie ou l'outil en dehors de la plage de température spécifiée dans les instructions.** *Un chargement incorrect ou à des températures en dehors de la plage spécifiée peut endommager la batterie et augmenter le risque d'incendie.*
- 6) **Entretien**
  - a) **Ayez votre outil électrique entretenu par un réparateur agréé n'utilisant que des pièces de rechange identiques.** *Cela assurera que la sécurité de l'outil électrique est maintenue.*
  - b) **Ne jamais tenter de réparer des batteries endommagées.** *L'entretien et la réparation des batteries doit uniquement être effectué par le fabricant ou par des centres de services agréés.*

## CONSIGNES DE SÉCURITÉ SUPPLÉMENTAIRES POUR LA POLISSEUSE

- 1. **Inspectez le tampon éponge avant utilisation. N'utilisez pas de produits ébréchés, fissurés ou autrement défectueux.**
- 2. **Assurez-vous que les capots sont installés conformément aux instructions du fabricant.**
- 3. **Assurez-vous que le capot est correctement monté et serré avant utilisation et faites fonctionner l'outil à vide pendant 30 secondes dans une position sûre. Arrêtez immédiatement s'il y a une vibration considérable ou si d'autres défauts sont détectés. Si cette condition se produit, vérifiez la machine pour en déterminer la**

cause.

- 4. **Pour le nettoyage, un équipement de protection individuelle doit être porté tel que des gants et un tablier.**
- 5. **La roue continue de tourner après l'arrêt de l'outil. Ne retirez le coussin éponge que lorsqu'il a cessé de bouger.**
- 6. **N'utilisez pas la polisseuse comme outil fixe.**

## CONSIGNES GÉNÉRALES DE SÉCURITÉ CONCERNANT LA BATTERIE

- a) **Ne pas démonter, ouvrir ou déchiqueter le bloc batterie.**
- b) **Ne pas exposer le bloc batterie à la chaleur ou au feu. Évitez de ranger la batterie dans un endroit exposé à la lumière directe du soleil.**
- c) **Ne pas court-circuiter une batterie. Ne stockez pas les blocs batterie en vrac dans une boîte ou un tiroir où ils peuvent se court-circuiter ou être court-circuités par d'autres objets métalliques.** *Lorsque le bloc batterie n'est pas utilisé, conservez-le loin d'autres objets métalliques, tels que des trombones, des pièces de monnaie, des clés, des clous, des vis ou d'autres objets métalliques de petite taille, qui pourraient établir une connexion d'un terminal à l'autre. Le fait de créer un court-circuit entre les bornes de la batterie peut causer des brûlures ou des incendies.*
- d) **Ne pas retirer la batterie de son emballage d'origine avant utilisation dans l'appareil.**
- e) **Ne pas soumettre la batterie à des chocs mécaniques.**
- f) **En cas de fuite de la batterie, ne pas laisser le liquide entrer en contact avec la peau ou les yeux. Si un contact a été effectué, laver la zone touchée avec beaucoup d'eau et consulter un médecin.**
- g) **Respecter les marques plus (+) et moins (-) sur le bloc batterie et sur l'appareil et veiller à bien le positionner.**
- h) **Ne pas utiliser de batterie qui n'a pas été conçue pour être utilisée avec cet appareil.**
- i) **Maintenez la batterie hors de portée des enfants.**
- j) **Consultez immédiatement un médecin si une cellule ou une batterie a été avalée.**
- k) **Achetez toujours une batterie recommandée par le fabricant de l'appareil.**
- l) **Conservez le bloc batterie propre et sec.**
- m) **Essuyez les bornes de la batterie avec un chiffon propre et sec si elles deviennent sales.**
- n) **La batterie doit être chargée avant son utilisation. Utilisez toujours le chargeur adapté et reportez-vous aux instructions du fabricant ou au manuel de l'équipement pour suivre les instructions concernant la procédure de charge.**
- o) **Ne laissez pas le bloc batterie en charge**

- prolongée lorsqu'il n'est pas utilisé.
- p) Après de longues périodes de stockage, il peut être nécessaire de charger et de décharger la batterie plusieurs fois pour obtenir des performances optimales.
  - q) La batterie offre de meilleures performances lorsqu'elle est utilisée à température ambiante normale 68 °F ± 40 °F (20 °C ± 5 °C).
  - r) Lors de l'élimination des batteries, conservez les blocs batteries de différents systèmes électrochimiques séparés les uns des autres.
  - s) Rechargez le bloc batterie uniquement avec le chargeur spécifié par WORX. N'utilisez pas un chargeur autre que celui spécifiquement conçu pour être utilisé avec l'équipement. *Un chargeur adapté à un type de batterie peut entraîner un risque d'incendie lorsqu'il est utilisé avec une autre batterie.*
  - t) Conservez la documentation originale du produit pour référence ultérieure.
  - u) Utilisez uniquement la batterie dans l'application pour laquelle elle a été prévue.
  - v) Retirez la batterie de l'équipement lorsqu'il n'est pas utilisé.
  - w) Éliminez la batterie de façon adéquate.



Batterie Li-Ion. Les batteries doivent être recyclées en collecte sélective.

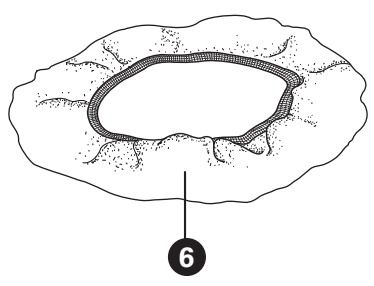
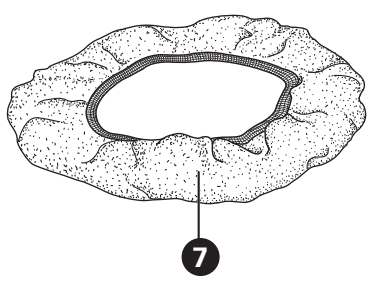
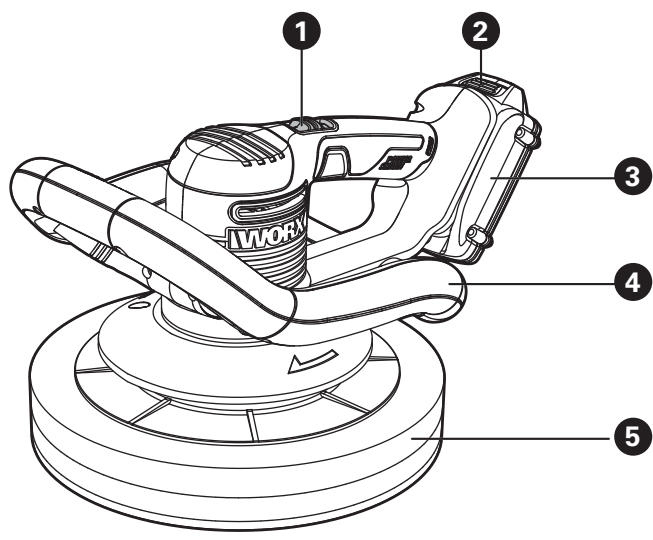


call2recycle®

POSITEC Inc. a formé un partenariat avec RBRC Corporation pour le recyclage des batteries Positech portant le sceau RBRC-call2recycle. Pour la protection de l'environnement, veuillez à ne pas jeter les batteries aux poubelles. À la fin du cycle de vie de la batterie, appelez 1-800-822-8837 pour un service gratuit qui mettra la batterie au rebut selon les règles de l'art. dispose of the battery.

## SYMBOLES

	<p>Afin de réduire les risques de blessure, l'utilisateur doit lire ce mode d'emploi</p>
	<p>Portez une protection auditive.</p>
	<p>Portez un protecteur oculaire.</p>
	<p>Portez un masque anti poussières.</p>
	<p>Les batteries peuvent s'introduire dans le cycle de l'eau si elles sont éliminées de manière inappropriée, ce qui peut être dangereux pour l'écosystème. Ne pas éliminer les batteries usagées avec les déchets municipaux non triés.</p>
	<p>Ne pas jeter au feu</p>




# LISTE DES ÉLÉMENTS

- 1. INTERRUPTEUR MARCHE/ARRÊT**
- 2. BOUTON DE DÉCLENCHEMENT DU BLOC-BATTERIE \***
- 3. BATTERIE \***
- 4. POIGNÉE**
- 5. COUSSIN EN MOUSSE**
- 6. CAPOT APPLICATEUR ÉLASTIQUE (CAPOT EN TISSU ÉPONGE)**
- 7. CAPOT TAMPON DE POLISSAGE ÉLASTIQUE (CAPOT EN LAINE)**

\* Les accessoires illustrés ou décrits ne sont pas tous compris dans le cadre de la livraison standard.

## DONNÉES TECHNIQUES

De type: **WX856L WX856L.X (856-appellation de la machine, représentative des Polisseuses)**

	WX856L	WX856L.X**
Tension nominale	20V  Max***	
Vitesse à vide	3000r/min	
Durée	40min	
Taille de la plaque de base	254mm (10 in)	
Poids de la machine(Outil nu)	2.0kg (4.4lbs)	

\*\* X peut être suivi d'un ou deux caractères. Tous les modèles sont identiques, sauf le numéro de modèle et la marque. Le suffixe dans les modèles peut être un nombre allant de « 1 » à « 999 » ou une lettre anglaise « A » à « Z » ou « M1 » à « M9 » qui signifie la différence entre les paquets ou les accessoires emballés dans l'emballage.

\*\*\* Tension mesurée hors fonctionnement. La tension initiale de la batterie atteint le maximum de 20 volts. La tension nominale est de 18 volts.

Catégorie	Modèle	Capacité
20V batterie	WA3520	1.5Ah
	WA3525	2.0Ah
	WA3575	2.0Ah
	WA3578	4.0Ah

20V Chargeur	WA3742	0.4A
	WA3875	2.0A
	WA3881	2.0A

Nous vous recommandons d'acheter vos accessoires dans le magasin qui vous a vendu l'outil. Pour de plus amples renseignements, consultez l'emballage de l'accessoire. Le personnel du magasin peut également vous conseiller.

## INSTRUCTIONS D'UTILISATION



**REMARQUE:** Avant d'utiliser cet outil, assurez-vous de lire attentivement le manuel d'utilisation.

### Utilisation prévue

La machine est destinée au polissage de sols, de voitures et d'autres surfaces revêtues.

### 1. INSTALLER / RETIRER LES BATTERIES

**INSTALLER :** Placez l'interrupteur en position OFF (O). Faites ensuite glisser la batterie dans la polisseuse. (Voir Fig.A1)

**Retirer:** Placez l'interrupteur en position OFF (O). Appuyez ensuite sur le bouton pour retirer la batterie de la polisseuse. (Voir Fig.A3)  
Chargement de la batterie (Voir Fig.A2)

### 2. INTERRUPTEUR MARCHÉ / ARRÊT (VOIR FIG.B)

Démarrez et arrêtez toujours la polisseuse contre la surface de la voiture. Faites glisser l'interrupteur en position ON (I) pour démarrer la polisseuse, tirez vers l'arrière en position OFF (O) pour l'arrêter.

### 3. FIXATION DU CAPOT D'APPLICATEUR SUR LE COUSSIN EN MOUSSE (VOIR FIG.C)

Placez l'interrupteur en position OFF (O). Retirez la batterie de l'outil. Placer le capot en tissu éponge sur le coussin en mousse. Assurez-vous toujours que la bande élastique sur le capot est solidement fixée au coussin en mousse.

### 4. ÉTENDRE LA POLISSEUSE

Étalez uniformément une cuillerée à soupe de vernis sur toute la surface de la housse. N'appliquez pas de vernis directement sur la voiture.

La plupart des produits de polissage se présentent sous forme de liquide ou de pâte. Avant d'utiliser tout produit de polissage, lire toutes les instructions d'application et d'utilisation.

### APPLICATION D'UN PRODUIT EN PÂTE (See Fig.D1)

Utiliser outil plat en non tranchant pour appliquer une généreuse cuiller à café de pâte sur le béréet. Étendre la pâte uniformément sur toute la surface du béréet. Ne pas appliquer la pâte directement sur la surface à polir.



## APPLICATION D'UN PRODUIT LIQUIDE (See Fig.D2)

Appliquer un petit cercle de liquide (environ de la taille d'une pièce de monnaie) au centre du bérêt, puis l'entourer de deux autres cercles chacun plus grand que le précédent. Après la première application, le bérêt n'absorbera pas autant de produit. Pour les applications suivantes, utiliser deux cercles et la moitié de la quantité initiale de produit.

**REMARQUE :** Veiller à ne pas utiliser une trop grande quantité de produit à la fois. Si le coussinet est saturé, il ne durera pas longtemps.

## 5.UTILISER LA POLISSEUSE DE VOITURE

Lorsque la polisseuse est fermement positionnée sur la surface, faites glisser l'interrupteur ON / OFF en position ON (I). Démarrez et arrêtez toujours la polisseuse sur ou contre la surface à polir. Commencez par polir de plus grandes surfaces planes, telles que le capot, le coffre et le toit. Le couvercle du tampon n'adsorbera pas autant lors du rechargement. Utilisez un mouvement de balayage étendu dans le motif entrecroisé. N'utilisez pas de polisseuse pour abaisser la surface. Utilisez l'action orbitale du coussin et du capot pour effectuer le travail. Après avoir couvert une surface plane, polissez les surfaces courbes telles que les portes de voiture et les panneaux latéraux. Utilisez un petit mouvement circulaire. Après avoir appliqué du vernis sur toute la surface, éteignez la polisseuse. Attendez que le tampon cesse de tourner avant de soulever la polisseuse de la surface. (Voir Fig.E1)

**Remarque :** Il est également pratique d'utiliser une seule main pour polir le toit et les côtés de la voiture. (Voir Fig.E2)

### Polir les petites surfaces (VOIR FIG.E3)

Pour les zones difficiles à atteindre, telles que le dessous des pare-chocs ou des rétroviseurs latéraux, appliquez le vernis à la main

## 6.CHANGEMENT DE CAPOT TAMPON / POLISSAGE SUR LE COUSSIN EN MOUSSE (VOIR FIG.F)

Placez le capot en laine sur le coussin en mousse. Assurez-vous toujours que la bande élastique sur le capot est solidement fixée au coussin en mousse.

## 7.TAMPON ET POLISSAGE - ENLEVER LA CIRE DE LA SURFACE (VOIR FIG.G)

**REMARQUE :** Attendez que la cire ait séché pour devenir un voile uniforme sur le véhicule. Retirez la cire dans le même ordre dans lequel elle a été appliquée.

Tournez la polisseuse en position ON. Polir toute la surface jusqu'à ce que toute la cire séchée soit enlevée. Retirez le capot de temps en temps et secouez le résidu. Le capot avec un excès de résidus provoquera des stries. Vous devrez peut-être remplacer le capot si vous ne pouvez pas le nettoyer suffisamment pour éviter les stries. Polissage final et polissage à l'aide d'un capot propre.

**REMARQUE :** Pour de meilleurs résultats, utilisez de longs mouvements de balayage en croix pour retirer la cire.

## CONSEILS DE TRAVAIL POUR VOTRE POLISSEUSE

1. Pour de meilleurs résultats, la surface doit être propre et sèche. La plupart des surfaces brillantes peuvent être nettoyées avec une solution d'eau et de savon doux. Pour éliminer la saleté tenace, comme le goudron de route, la graisse et les taches d'insectes, utilisez une solution d'ammoniaque douce, comme celle utilisée dans les nettoyeurs pour vitres. Avant d'utiliser tout produit de nettoyage, vérifiez l'étiquette pour les applications recommandées et suivez les instructions d'utilisation
2. Laissez toujours la polisseuse fonctionner sans la forcer et n'appliquez pas de pression excessive sur la polisseuse. De préférence, utilisez un léger mouvement circulaire. Le mouvement orbital aléatoire sur cet outil est meilleur lorsque moins de pression est appliquée. Une pression trop forte ralentira le mouvement de la machine et affectera la qualité du travail.
3. Cependant, l'erreur la plus courante est d'utiliser trop de cire. Si le tampon absorbe trop de cire, il ne durera pas longtemps et le polissage est plus difficile et prend plus de temps.
4. Si le capot se détache continuellement, essayez avec un nouveau capot.
5. Si la cire semble difficile à polir, vous avez peut-être utilisé trop de cire. Appliquez de la cire en couche mince et uniforme. Trop de cire n'ajoute plus de protection et rend seulement l'élimination de la cire plus difficile.

## DÉPANNAGE

1. Si la polisseuse n'abrase pas la surface, vérifiez le capot. Si le capot a été utilisé, remplacez-le par un nouveau et réessayez.
2. Si un défaut ne peut pas être corrigé, renvoyez l'outil à un revendeur agréé pour réparation.

## ENTRETIEN

### Retirer le bloc-piles de l'outil avant d'effectuer tout ajustement, entretien ou maintenance

Votre outil ne nécessite aucune lubrification ou entretien supplémentaire. Il ne comporte aucune pièce à réparer ou à entretenir par l'utilisateur. N'utilisez jamais de l'eau ou des nettoyants chimiques pour nettoyer l'outil. Essayez-le avec un chiffon sec. Rangez toujours votre outil dans un endroit sec. Gardez propres les ouvertures de ventilation du moteur. Assurez-vous que les commandes soient exemptes de poussière. Si vous remarquez des étincelles dans les ouvertures de ventilation, ceci est normal et n'endommagera pas votre outil.

# POUR LES OUTILS DE LA BATTERIE

La plage de température ambiante pour l'utilisation et le stockage de l'outil et de la batterie est 0° C à 45° C (32°F-113°F).

La plage de température ambiante recommandée pour le système de charge pendant la charge est de 0° C à 40° C (32°F-104°F).

## SEGURIDAD DEL PRODUCTO

**⚠ ADVERTENCIA:** El polvo originado por la utilización de herramientas motorizadas contiene químicos que, según el Estado de California, causan cáncer, defectos congénitos y otros daños reproductivos. Algunos ejemplos de esos productos químicos son:

- El plomo de las pinturas a base de plomo;
- La sílice cristalina de los ladrillos, del cemento y de otros productos de albañilería;
- El arsénico y el cromo de la madera tratada químicamente.

El riesgo que se corre a causa del contacto con esos productos varía según la frecuencia con que usted realice este tipo de trabajos. Con el fin de reducir su exposición a esas sustancias químicas: trabaje en un área bien ventilada; utilice un equipo de seguridad adecuado, tal como una máscara contra el polvo especialmente diseñada para filtrar partículas microscópicas.

**⚠ ADVERTENCIA:** Este producto puede exponerlo a sustancias químicas, como plomo y di (2-etilhexilo) ftalato (DEHP), que el estado de California reconoce como causantes de cáncer y defectos de nacimiento u otros daños reproductivos. Para más información visite [www.P65Warnings.ca.gov](http://www.P65Warnings.ca.gov).

## ADVERTENCIAS DE SEGURIDAD GENERALES PARA LA HERRAMIENTA MOTORIZADA

**⚠ ADVERTENCIA** Lea y comprenda todas las instrucciones. El no seguir todas las instrucciones a continuación puede ocasionar descargas eléctricas, incendios y/o heridas graves.

Conserve todas las advertencias e instrucciones para consulta futura.

El término "herramienta eléctrica" que figura en todas las advertencias que aparecen a continuación hace referencia a la herramienta que funciona con la red de suministro eléctrico (con cable) o a la herramienta eléctrica accionada a baterías (sin cable).

- 1) **Área de trabajo**
  - a) **Mantenga su lugar de trabajo limpio y bien iluminado.** Bancos de trabajo desordenados y lugares oscuros invitan a los accidentes.
  - b) **No utilice herramientas eléctricas en atmósferas explosivas, como por ejemplo en presencia de líquidos, inflamables, gases o polvo.** Las herramientas eléctricas crean chispas que pueden encender el polvo o los vapores.
  - c) **Mantenga a los espectadores, niños y visitantes a una distancia prudente cuando esté utilizando una herramienta eléctrica.** Las distracciones pueden hacerle perder el control.
- 2) **Seguridad eléctrica**
  - a) **Los enchufes de las herramientas eléctricas deben coincidir con el tomacorriente. No modifique de algún modo el enchufe. No utilice enchufes adaptadores con herramientas eléctricas conectadas a tierra.** Si no se modifican los enchufes y se utilizan los tomacorrientes adecuados, se reducirá el riesgo de una descarga eléctrica.
  - b) **Evite el contacto del cuerpo con las superficies conectadas a tierra tales como tuberías, radiadores, estufas de cocina y refrigeradores.** Existe mayor riesgo de que se produzcan descargas eléctricas si su cuerpo está conectado a tierra.
  - c) **No exponga las herramientas eléctricas a la lluvia ni a los ambientes húmedos.** La entrada de agua en una herramienta eléctrica aumenta el riesgo de que se produzcan descargas eléctricas.
  - d) **No abuse del cable.** Nunca use el cable para transportar las herramientas ni para sacar el enchufe de un tomacorriente. Mantenga el cable alejado del calor, el aceite, los bordes afilados o las piezas móviles. Los cables dañados aumentan el riesgo de que se produzcan descargas eléctricas.
  - e) **Cuando opere una herramienta eléctrica en exteriores, use un cable de extensión adecuado para uso en exteriores. El uso de un cable adecuado para uso en exteriores reduce el riesgo de descargas eléctricas.**
  - f) **Si operar una herramienta eléctrica en un lugar húmedo es inevitable, use un elemento protegido del dispositivo de corriente residual (RCD). El uso de un RCD reduce el riesgo de descargas eléctricas.**
- 3) **Seguridad personal**
  - a) **Manténgase alerta, fíjese en lo que está haciendo y use el sentido común cuando utilice una herramienta eléctrica. No use la herramienta cuando esté cansado o se encuentre bajo la influencia de drogas, alcohol o medicamentos.** Un momento de distracción al utilizar herramientas eléctricas puede dar lugar a lesiones personales graves.
  - b) **Utilice equipo de seguridad. Use siempre protección ocular.** La utilización del equipo de seguridad como mascarar antipolvo, zapatos de seguridad antideslizantes, casco o protección

auditiva para condiciones adecuadas reducirá el riesgo de lesiones personales.

- c) Evite el arranque accidental. Asegúrese de que el interruptor esté en la posición de trabado o de apagado antes de instalar el paquete de baterías.** Transportar herramientas con el dedo en el interruptor o instalar el paquete de batería cuando el interruptor está encendido invitan a los accidentes.
- d) Retire las llaves o claves de ajuste antes de encender la herramienta.** Una llave o clave de ajuste dejada en una parte giratoria de la herramienta puede causar una lesión personal.
- e) No intente alcanzar demasiado lejos. Mantenga un apoyo de los pies y un equilibrio adecuados en todo momento.** El apoyo de los pies y el equilibrio adecuados permiten un mejor control de la herramienta en situaciones inesperadas.
- f) Vístase apropiadamente. No se ponga ropa holgada ni joyas. Mantenga su cabello, ropa y guantes alejados de las piezas móviles.** La ropa holgada, las joyas o el pelo largo pueden quedar atrapados en las piezas móviles.
- g) Si se proporcionan dispositivos para la extracción y recolección de polvo, asegúrese que estos estén conectados y utilizados correctamente.** El uso de estos dispositivos puede reducir peligros relacionados con el polvo.
- h) No permita que la familiaridad obtenida a partir del uso frecuente de otras herramientas le permita volverse complaciente e ignorar los principios de seguridad de la herramienta.** Una acción descuidada puede causar lesiones severas en una fracción de segundo.
- 4) Uso y cuidado de la herramienta**
- a) No fuerce la herramienta. Emplee la herramienta correcta para la aplicación que desea.** La herramienta correcta hará el trabajo mejor y con más seguridad a la capacidad nominal para la que está diseñada.
- b) No utilice la herramienta si el interruptor no la enciende o apaga.** Toda herramienta que no se pueda controlar con el interruptor es peligrosa y debe ser reparada.
- c) Desconecte la batería de la herramienta o ponga el interruptor en la posición de trabado o de apagado antes de hacer cualquier ajuste, cambio de accesorios o guardar la herramienta.** Estas medidas de seguridad preventivas reducen el riesgo de encender la herramienta accidentalmente.
- d) Guarde las herramientas que no esté usando fuera del alcance de los niños y otras personas no capacitadas.** Las herramientas son peligrosas en las manos de los usuarios no capacitados.
- e) Mantenga las herramientas con cuidado. Compruebe la desalineación o el atasco de las piezas móviles, la ruptura de piezas y cualquier otra situación que pueda afectar el funcionamiento de las herramientas. Si la herramienta está dañada, hágala arreglar antes de usarla.** Muchos accidentes son causados por herramientas mantenidas deficientemente.
- f) Conserve las herramientas de corte afiladas y limpias.** Las herramientas mantenidas adecuadamente, con bordes de corte afilados, tienen menos probabilidades de atascarse y son más fáciles de controlar.
- g) Utilice la herramienta eléctrica, accesorios, brocas de la herramienta, etc. de acuerdo con estas instrucciones y de la manera adecuada para el tipo de herramienta eléctrica, teniendo en cuenta las condiciones de trabajo y el trabajo que se realizará.** La utilización de la herramienta eléctrica para operaciones diferentes de aquellas para las que se encuentra diseñada podría dar lugar a una situación peligrosa.
- h) Mantenga las manijas y las superficies de sujeción secas, limpias y libres de aceite y grasa.** Las manijas y superficies de sujeción resbaladizas no permiten el manejo y control seguros de la herramienta en situaciones inesperadas.
- 5) Utilización y cuidado de la herramienta accionada a baterías**
- a) Una herramienta accionada a baterías que tenga baterías integradas o un paquete de baterías separado se debe recargar solamente con el cargador especificado para la batería.** Un cargador que puede ser adecuado para un tipo de batería puede crear un peligro de incendio cuando se usa con otra batería.
- b) Utilice la herramienta accionada a baterías solamente con el paquete de baterías designado específicamente.** El uso de cualquier otra batería puede crear un peligro de incendio.
- c) Cuando el paquete de baterías no se usa, manténgalo alejado de otros objetos metálicos como: sujetapapeles, monedas, clavos, tornillos u otros pequeños objetos de metal capaces de hacer una conexión entre los terminales.** El cortocircuito de los terminales de una batería puede causar chispas, quemaduras o incendio.
- d) Bajo condiciones abusivas, la batería puede expulsar líquido; evite el contacto. Si ocurre un contacto accidental, enjuague con agua. Si el líquido entra en contacto con los ojos, busque ayuda médica.** El líquido expulsado por la batería puede causar irritación o quemaduras.
- e) No use un paquete de batería o una herramienta que esté dañada o modificada.** Las baterías dañadas o modificadas pueden presentar un comportamiento imprevisto que resulte en incendios, explosión o riesgo de lesiones.
- f) No exponga un paquete de batería o herramienta a fuego o temperatura excesiva.** La exposición a fuego o temperatura mayor a 270 °F (130 °C) pueden causar una explosión.
- g) Siga todas las instrucciones de carga y no cargue el paquete de batería**

**o la herramienta fuera del rango de temperatura especificado en las instrucciones.** Cargar inadecuadamente o en temperaturas fuera del rango especificado pueden dañar la batería e incrementar el riesgo de incendio.

- 6) Reparación**
- a) **La herramienta debe ser reparada por una persona calificada de servicio técnico y se deben utilizar partes de reemplazo idénticas.** Esto asegurará el mantenimiento de la seguridad de la herramienta eléctrica.
  - b) **Nunca dé servicio a paquetes de batería dañados.** El servicio de paquetes de batería sólo debe ser realizado por el fabricante o proveedores de servicio autorizados

## **INSTRUCCIONES DE SEGURIDAD ADICIONALES PARA LA PULIDORA**

- 1. **Inspeccione la esponja antes de su uso. No utilice productos astillados, agrietados o defectuosos.**
- 2. **Asegúrese de que los bonetes estén instalados de acuerdo con las instrucciones del fabricante.**
- 3. **Asegúrese de que el capó esté correctamente montado y apretado antes de usarlo y ejecute la herramienta sin carga durante 30 segundos en una posición segura. Pare inmediatamente si hay una vibración considerable o si se detectan otros defectos. Si se produce esta condición, verifique la máquina para determinar la causa.**
- 4. **Para la limpieza, se debe usar equipo de protección personal como guantes y delantal.**
- 5. **La rueda continúa girando después de que la herramienta se apague. Solo retire la almohadilla de la esponja cuando haya dejado de moverse.**
- 6. **No utilice la pulidora como herramienta fija.**

## **ADVERTENCIAS GENERALES DE SEGURIDAD PARA LA BATERÍA**

- a) **No desensamble, abra o triture el paquete de batería.**
- b) **No exponga el paquete de batería a calor o fuego. Evite guardar a la luz directa del sol.**
- c) **No ponga en corto circuito el paquete de batería. No guarde el paquete de batería de forma aleatoria en una caja o cajón donde puedan ponerse en corto circuito entre sí o ponerse en corto circuito por otros objetos metálicos.** Cuando el paquete de batería no esté en uso, manténgalo alejado de otros objetos metálicos, como sujetadores de papel,

monedas, llaves, clavos, tornillos u otros objetos metálicos pequeños que puedan establecer una conexión de una terminal a otra. El corto circuito de las terminales de la batería puede causar quemaduras o incendios.

- d) **No retire el paquete de la batería de su empaque original hasta que se requiera para el uso.**
- e) **No someta el paquete de batería a impacto mecánico.**
- f) **En el caso de fuga de la batería, no permita que el líquido entre en contacto con la piel o los ojos. Si hay contacto, lave el área afectada con bastante agua y busque atención médica.**
- g) **Observe las marcas positiva (+) y negativa (-) en la parte posterior de la batería y el equipo para asegurar su uso correcto.**
- h) **No use ningún paquete de batería que no esté diseñado para uso con el equipo.**
- i) **Mantenga el paquete de batería fuera del alcance de los niños.**
- j) **Busque atención médica de inmediato si se ingiere una celda o una batería.**
- k) **Siempre adquiera el paquete de batería recomendado por el fabricante del dispositivo para el equipo.**
- l) **Mantenga el paquete de batería limpio y seco.**
- m) **Limpie las terminales del paquete de batería con una tela seca limpia su se ensucian.**
- n) **El paquete de batería se necesita cargar antes del uso. Siempre use el cargador correcto y consulte las instrucciones del fabricante o el manual del equipo para saber las instrucciones correctas de carga.**
- o) **No deje el paquete de batería en carga prolongada cuando no esté en uso.**
- p) **Después de periodos prolongados de almacenamiento, puede ser necesario cargar y descargar el paquete de batería varias veces para obtener el desempeño máximo.**
- q) **El paquete de batería proporciona su mejor desempeño cuando se opera en temperatura ambiente normal 68 °F ± 40 °F (20 °C ± 5 °C).**
- r) **Quando deseché los paquetes de batería, mantenga los paquetes de batería de diferentes sistemas electromecánicos separados entre sí.**
- s) **Recargue únicamente con el cargador especificado por WORX. No use cargadores que no sean los específicamente suministrados para uso con el equipo.** Un cargador que es adecuado para un tipo de paquete de batería puede crear un riesgo de incendio cuando se usa con otro paquete de batería.
- t) **Conserve la literatura el producto original para referencia futura.**
- u) **Sólo use el paquete de batería en la aplicación para la que está diseñado.**
- v) **Retire el paquete de batería del equipo cuando no esté en uso.**
- w) **Deséchelo adecuadamente.**

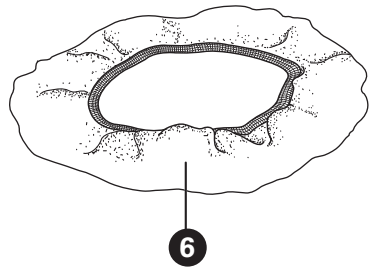
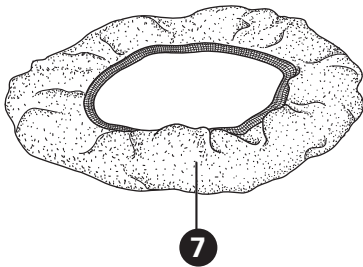
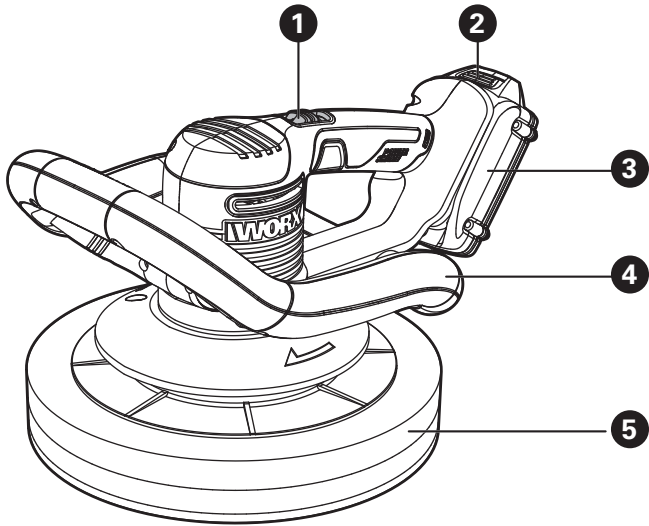
# SÍMBOLOS

	Para reducir el riesgo de lesiones, el usuario deberá leer el manual de instrucciones
	Use protección auditiva.
	Use lentes de seguridad.
	Use máscara contra el polvo.
	Las baterías pueden entrar al ciclo de agua si se desechan incorrectamente, lo que puede ser peligroso para el ecosistema. No deseché las baterías de desperdicio como desperdicio municipal sin clasificar
	No arrojar al fuego
 Li-Ion	Batería de iones de litio. La batería deberá reciclarse.



call2recycle®

POSITEC Inc. ha establecido una asociación con la empresa RBRC para el reciclaje de todas las baterías Positec que posean el sello RBRC-call2recycle. Para contribuir con la protección del medio ambiente, no deseché las baterías como residuos normales. Después de que haya finalizado el ciclo de vida útil de la batería, comuníquese al 1-800-822-8837 para acceder al servicio gratuito.



# LISTA DE PARTES

<b>1. INTERRUPTOR DE ENCENDIDO/APAGADO</b>
<b>2. BOTÓN DE LIBERACIÓN DE PAQUETE DE BATERÍA *</b>
<b>3. PAQUETE DE BATERÍA *</b>
<b>4. ENCARGARSE DE</b>
<b>5. ALMOHADILLA DE LA ESPUMA</b>
<b>6. BONETE DE APLICADOR ELÁSTICO (BONETE DE FELPA)</b>
<b>7. BONETE DE PULIDO ELÁSTICO (BONETE DE LANA)</b>

\* No todos los accesorios ilustrados o descritos se incluyen junto con el producto estándar.

## DATOS TÉCNICOS

Tipo **WX856L WX856L.X (856-designación de maquinaria, representativo de los pulidores)**

	WX856L	WX856L.X**
Tensión	20V	Max***
Velocidad sin Carga	3000r/min	
Tiempo de ejecución	40min	
Tamaño de la placa base	10 in (254mm)	
Peso de la máquina (Herramienta descubierta)	4.4lbs (2.0kg)	

\*\* X puede ser seguido por uno o dos caracteres. Todos los modelos son iguales, excepto el número de modelo y la marca registrada. El sufijo en los modelos puede ser un número del "1" al "999" o la letra inglesa "A" a "Z" o "M1" a "M9" que significa un paquete diferente o el Varios accesorios embalados en el paquete.

\*\*\* Voltaje medido sin carga de trabajo. El voltaje inicial de la batería alcanza un máximo de 20V. El voltaje nominal es 18V.

Categoría	Modelo	Capacidad
20V Batería	WA3520	1.5Ah
	WA3525	2.0Ah
	WA3575	2.0Ah
	WA3578	4.0Ah

20V Cargador	WA3742	0.4A
	WA3875	2.0A
	WA3881	2.0A

Le recomendamos que compre sus accesorios en la misma tienda que le vendió la herramienta. Consulte el empaque de los accesorios para obtener más detalles. El personal de la tienda también puede ayudarle y aconsejarle.

## INSTRUCCIONES DE USO



**NOTA:** Antes de usar la herramienta, lea atentamente el manual de instrucciones.

### I POSIBLE USO

La máquina está diseñada para pulir pisos, automóviles y otras superficies recubiertas.

### 1. INSTALE / RETIRE EL PACK DE BATERÍA

**Para la instalación:** Coloque el interruptor en la posición APAGADO (O). Luego, deslice la batería en la pulidora. (Vea la Fig. A1)

**Para eliminar:** Coloque el interruptor en la posición APAGADO (O). Luego, presione el botón para extraer la batería de la pulidora. (Vea la Fig. A3)  
Carga de la batería (Vea la Fig. A2)

### 2. INTERRUPTOR ENCENDIDO / APAGADO (Vea la Fig. B)

Siempre encienda y pare la pulidora contra la superficie del automóvil. Deslice el interruptor a la posición ENCENDIDO (I) para iniciar la pulidora, tire hacia atrás a la posición APAGADO (O) para detenerlo.

### 3. COLOCACIÓN DE LA CAPA DEL APLICADOR EN LA ALMOHADILLA DE ESPUMA (VEA LA FIG. C)

**Coloque el interruptor en la posición APAGADO (O). Retire la batería de la herramienta.** Coloque el bonete de felpa de forma segura sobre la almohadilla de la espuma. Siempre asegúrese de que la tira elástica del capó esté firmemente fijada a la almohadilla de la espuma.

### 4. UTILICE EL PULIDO

Extienda alrededor de una cucharada del pulidor uniformemente sobre toda la superficie de la cubierta de la almohadilla. No aplique el esmalte directamente al automóvil.

La mayoría de los pulimentos vienen en pasta o en forma líquida. Antes de usar cualquier pulimento lea todas las instrucciones sobre los usos del producto y la forma correcta de empleo.

### APLICACIÓN DE PULIMENTO EN PASTA (See Fig.D1)

Con objeto plano sin filo, aplique aproximadamente una cucharadita de pasta en el bonete. Unte

uniformemente la pasta en toda la superficie del bonete.

No aplique pasta directamente en la superficie por pulir.

#### **APLICACIÓN DE PULIMENTO LÍQUIDO (See Fig.D2)**

Aplique un círculo pequeño de líquido (aproximadamente del tamaño de una moneda de 50 centavos de dólar) alrededor del centro del bonete, seguido de dos anillos adicionales, cada uno de tamaño levemente superior al anterior. Después de la primera aplicación, el bonete no absorbe la misma cantidad de pulimento. Aplique dos anillos de pulimento en el bonete para las aplicaciones subsiguientes, usando la mitad de la cantidad inicial.

**NOTA:** Tenga cuidado de no usar demasiado pulimento a la vez. Si se satura la almohadilla, dura menos.

#### **5. PARA USAR EL PULIDOR DE COCHES**

Cuando la pulidora esté firmemente colocada en la superficie, deslice el interruptor ON / OFF a la posición ON (I). Siempre comience y pare la pulidora en o contra la superficie que se está puliendo.

Comience puliendo superficies planas más grandes, como el capó, el baúl y el techo. La cubierta de la almohadilla no se absorberá tanto cuando se vuelva a cargar. Use un amplio movimiento de barrido en el patrón entrecruzado. No use una pulidora para presionar la superficie hacia abajo. Use la acción orbital de la almohadilla y el capó para hacer el trabajo. Después de cubrir una superficie plana, pule superficies curvas como puertas de automóviles y paneles de cuarto. Use un pequeño movimiento circular. Después de aplicar el esmalte en toda la superficie, apague la pulidora. Espere hasta que la almohadilla deje de girar antes de levantar la pulidora de la superficie. (Vea la Fig. E1)

**Nota:** También es conveniente usar una mano para pulir el techo y los costados del automóvil. (Vea la Fig. E2)

#### **Pulir las superficies más pequeñas (VEA LA FIG. E3)**

Para áreas difíciles de alcanzar, como la parte inferior de los parachoques o los espejos laterales, aplique el esmalte manualmente.

#### **6. CAMBIO A LA CAPA DE PULIDO / PULIDO A LA ALMOHADILLA DE ESPUMA (VEA LA FIG. F)**

Coloque el bonete de lana en la almohadilla de la espuma. Siempre asegúrese de que la tira elástica del capó esté firmemente fijada a la almohadilla de la espuma.

#### **7. DANDO BRILLO Y PULIENDO - RETIRANDO LA CERA DE LA SUPERFICIE (VEA LA FIG. G)**

**NOTA:** Espere hasta que la cera se haya secado en una bruma uniforme en el vehículo. Retire la cera en el mismo orden en el que se aplicó.

Gire la pulidora a la posición ON. Dé brillo y pula toda la superficie hasta eliminar toda la cera seca. Retire el bonete de vez en cuando y sacuda el residuo. El bonete con exceso de residuos causará

rayas. Es posible que deba reemplazar el bonete si no puede limpiarlo lo suficiente como para evitar rayajos. El brillo final y el pulido usan un bonete limpio.

**NOTA:** Para obtener los mejores resultados, use trazos largos y amplios en un patrón entrecruzado cuando quite la cera.

## **CONSEJOS DE TRABAJO PARA SU PULIDORA**

1. Para mejores resultados, la superficie debe estar limpia y seca. La mayoría de las superficies de alto brillo se pueden limpiar con una solución de agua y jabón suave. Para eliminar la suciedad persistente, como alquitrán, grasa y manchas de insectos, use una solución suave de amoníaco, como la que se usa en los limpiacristales. Antes de usar cualquier producto de limpieza, revise la etiqueta de las aplicaciones recomendadas y siga las instrucciones de uso

2. Siempre deje que funcione la pulidora y no la fuerce ni aplique presión excesiva sobre ella. Preferiblemente, use un movimiento circular ligero. El movimiento orbital aleatorio en esta herramienta es mejor cuando se aplica menos presión. Si presiona demasiado, disminuirá la velocidad del movimiento de la máquina y afectará la calidad del trabajo.

3. Sin embargo, el error más común es usar demasiada cera. Si la almohadilla absorbe demasiada cera, no durará mucho y el pulido es más difícil y lleva más tiempo.

4. Si el capó se sale continuamente de la plataforma, intente con un nuevo capó.

5. Si la cera parece difícil de pulir, es posible que haya usado demasiada cera. Aplique cera en una capa delgada y uniforme. Demasiada cera no agrega más protección y solo dificulta la eliminación de la cera.

## **SOLUCIÓN DE PROBLEMAS**

1. Si la pulidora no desgasta la superficie, verifique el bonete. Si el bonete se ha desgastado, reemplácelo por uno nuevo e inténtelo nuevamente.

2. Si no se puede corregir una avería, devuelva la herramienta a un distribuidor autorizado para su reparación.

## **MANTENIMIENTO**

**Retire el Paquete de la batería de la herramienta antes de realizar cualquier ajuste, servicio o mantenimiento.**

Su herramienta no requiere lubricación ni mantenimiento adicional.

No posee piezas en su interior que puedan ser reparadas por el usuario. Nunca emplee agua o productos químicos para limpiar su herramienta. Use simplemente un paño seco. Guarde siempre



su herramienta en un lugar seco. Mantenga limpias las ranuras de ventilación del motor. Mantenga todos los controles de operación libres de polvo. La observación de chispas que destellan bajo las ranuras de ventilación, indica operación normal que no dañará su herramienta.

## **PARA HERRAMIENTAS DE BATERÍA**

El rango de temperatura ambiente para uso y almacenamiento de la herramienta y la batería es de 0°C-45°C (32°F-113°F).

El rango de temperatura ambiente recomendado para el sistema de carga durante la carga es de 0°C-45°C (32°F-113°F).







**you've got the power**

**[www.worx.com](http://www.worx.com)**

Copyright © 2020, Positec. All Rights Reserved.

Copyright © 2020, Positec. Tous droits réservés.

© Derechos reservados 2020, Positec. Todos los derechos reservados.

AR01495200