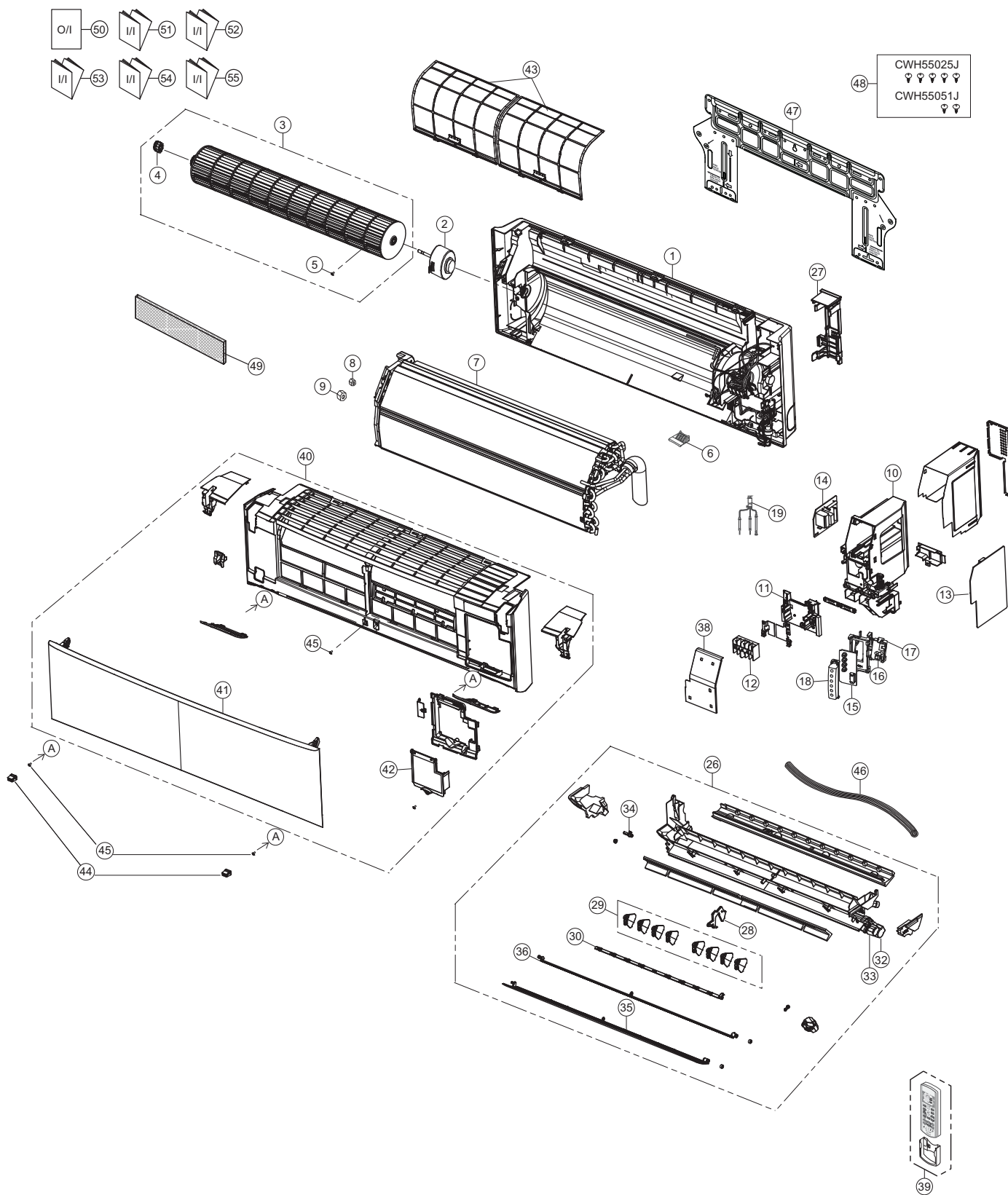


21. Exploded View and Replacement Parts List

21.1 Indoor Unit



Note
 The above exploded view is for the purpose of parts disassembly and replacement.
 The non-numbered parts are not kept as standard service parts.

SAFETY	REF. NO.	PART NAME & DESCRIPTION	QTY.	CS-NZ9SKE	CS-NZ12SKE	REMARK
	1	CHASSIS COMPLETE	1	ACXD50C00200	←	
	2	FAN MOTOR	1	ARW7628ACCB	←	O
	3	CROSS-FLOW FAN COMPLETE	1	CWH02C1076	←	
	4	BEARING ASSY	1	CWH64K1010	←	
	5	SCREW - CROSS-FLOW FAN	1	CWH551146	←	
	6	PARTICULAR PIECE	1	CWD933067B	←	
	7	EVAPORATOR	1	ACXB30C01970	ACXB30C02100	
	8	FLARE NUT (LIQUID)	1	CWT251030	←	
	9	FLARE NUT (GAS)	1	CWT251031	←	
	10	CONTROL BOARD CASING	1	ACXH10-00200	←	
	11	PARTICULAR PIECE	1	CWD933138	←	
	12	TERMINAL BOARD COMPLETE	1	CWA28C2809	←	O
	13	ELECTRONIC CONTROLLER - MAIN	1	ACXA73C07670	ACXA73C07680	O
	14	ELECTRONIC CONTROLLER - POWER	1	ACXA73-04400	←	O
	15	ELECTRONIC CONTROLLER - INDICATOR	1	ACXA73-04410	←	O
	16	ELECTRONIC CONTROLLER - RECEIVER	1	CWA746916	←	O
	17	HOLDER - RECEIVER	1	ACXD93-00700	←	
	18	INDICATOR HOLDER	1	ACXD93-00930	←	
	19	SENSOR COMPLETE	1	CWA50C2664	←	O
	26	DISCHARGE GRILLE COMPLETE	1	ACXE20C00540	←	
	27	BACK COVER CHASSIS	1	CWD933233C	←	
	28	FULCRUM	1	ACXH62-00040	←	
	29	VERTICAL VANE	8	CWE241457	←	
	30	CONNECTING BAR	2	CWE261320	←	
	32	AIR SWING MOTOR	1	CWA981241	←	O
	33	AIR SWING MOTOR	1	CWA981299	←	O
	34	CAP - DRAIN TRAY	1	CWH521259	←	
	35	HORIZONTAL VANE COMPLETE	1	ACXE24C00240	←	
	36	HORIZONTAL VANE COMPLETE	1	CWE24C1531	←	
	38	CONTROL BOARD COVER - COMPLETE	1	ACXH13C00070	←	
	39	REMOTE CONTROL COMPLETE	1	ACXA75C01920	←	O
	40	FRONT GRILLE COMPLETE	1	ACXE10C01870	ACXE10C01920	O
	41	INTAKE GRILLE COMPLETE	1	ACXE22K00090	←	
	42	GRILLE DOOR COMPLETE	1	CWE14C1090	←	
	43	AIR FILTER	2	CWD001279	←	O
	44	CAP - FRONT GRILLE	2	ACXH52-00020	←	
	45	SCREW - FRONT GRILLE	3	XTT4+16CFJ	←	
	46	DRAIN HOSE	1	CWH851173	←	
	47	INSTALLATION PLATE	1	CWH361147	←	
	48	BAG COMPLETE - INSTALLATION SCREW	1	CWH82C1705	←	
	49	AIR PURIFYING FILTER	1	CWD00C1293	←	
	50	OPERATING INSTRUCTION	1	ACXF55-03350	←	
	51	INSTALLATION INSTRUCTION	1	ACXF60-03280	←	
	52	INSTALLATION INSTRUCTION	1	ACXF60-03290	←	
	53	INSTALLATION INSTRUCTION	1	ACXF60-03300	←	
	54	INSTALLATION INSTRUCTION	1	ACXF60-03310	←	
	55	INSTALLATION INSTRUCTION	1	ACXF60-03320	←	

(NOTE)

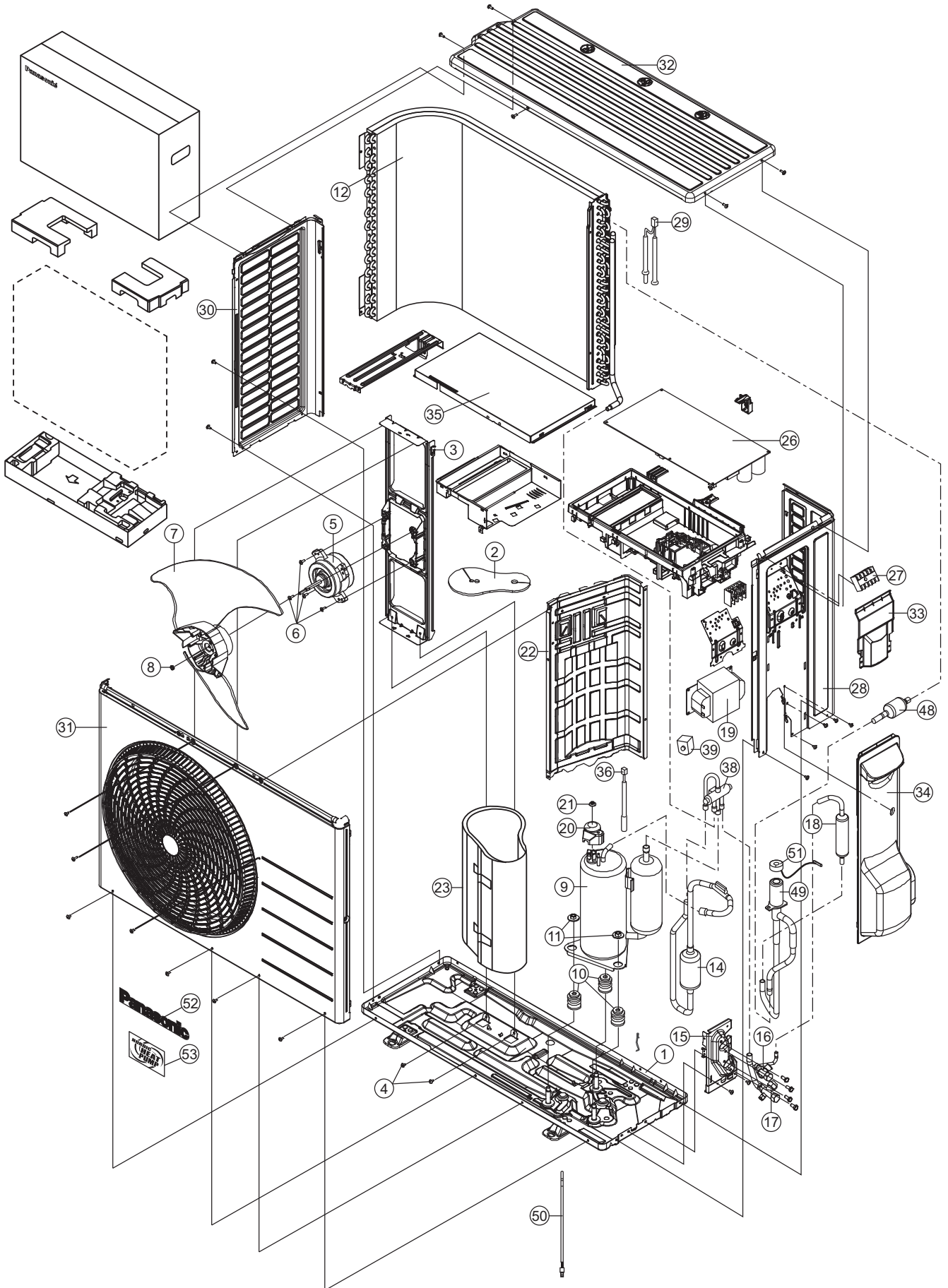
- All parts are supplied from PAPAMY, Malaysia (Vendor Code: 00029488).
- "O" marked parts are recommended to be kept in stock.

SAFETY	REF. NO.	PART NAME & DESCRIPTION	QTY.	CS-QZ9SKE	REMARK
	1	CHASSIS COMPLETE	1	ACXD50C00200	
⚠	2	FAN MOTOR	1	ARW7628ACCB	O
	3	CROSS-FLOW FAN COMPLETE	1	CWH02C1076	
	4	BEARING ASSY	1	CWH64K1010	
	5	SCREW - CROSS-FLOW FAN	1	CWH551146	
	6	PARTICULAR PIECE	1	CWD933067B	
	7	EVAPORATOR	1	ACXB30C01970	
	8	FLARE NUT (LIQUID)	1	CWT251030	
	9	FLARE NUT (GAS)	1	CWT251031	
	10	CONTROL BOARD CASING	1	ACXH10-00200	
	11	PARTICULAR PIECE	1	CWD933138	
⚠	12	TERMINAL BOARD COMPLETE	1	CWA28C2809	O
⚠	13	ELECTRONIC CONTROLLER - MAIN	1	ACXA73C07670	O
⚠	14	ELECTRONIC CONTROLLER - POWER	1	ACXA73-04400	O
⚠	15	ELECTRONIC CONTROLLER - INDICATOR	1	ACXA73-04410	O
⚠	16	ELECTRONIC CONTROLLER - RECEIVER	1	CWA746916	O
	17	HOLDER - RECEIVER	1	ACXD93-00700	
	18	INDICATOR HOLDER	1	ACXD93-00930	
	19	SENSOR COMPLETE	1	CWA50C2664	O
	26	DISCHARGE GRILLE COMPLETE	1	ACXE20C00530	
	27	BACK COVER CHASSIS	1	CWD933233C	
	28	FULCRUM	1	ACXH62-00040	
	29	VERTICAL VANE	8	CWE241457	
	30	CONNECTING BAR	2	CWE261320	
⚠	32	AIR SWING MOTOR	1	CWA981241	O
⚠	33	AIR SWING MOTOR	1	CWA981299	O
	34	CAP - DRAIN TRAY	1	CWH521259	
	35	HORIZONTAL VANE COMPLETE	1	ACXE24C00400	
	36	HORIZONTAL VANE COMPLETE	1	CWE24C1531	
	38	CONTROL BOARD COVER - COMPLETE	1	ACXH13C00070	
	39	REMOTE CONTROL COMPLETE	1	ACXA75C01920	O
	40	FRONT GRILLE COMPLETE	1	ACXE10C01880	O
	41	INTAKE GRILLE COMPLETE	1	ACXE12K00050	
	42	GRILLE DOOR COMPLETE	1	CWE14C1090	
	43	AIR FILTER	2	CWD001279	O
	44	CAP - FRONT GRILLE	2	ACXH52-00020	
	45	SCREW - FRONT GRILLE	3	XTT4+16CFJ	
	46	DRAIN HOSE	1	CWH851173	
	47	INSTALLATION PLATE	1	CWH361147	
	48	BAG COMPLETE - INSTALLATION SCREW	1	CWH82C1705	
	49	AIR PURIFYING FILTER	1	CWD00C1293	
	50	OPERATING INSTRUCTION	1	ACXF55-03350	
	51	INSTALLATION INSTRUCTION	1	ACXF60-03280	
	52	INSTALLATION INSTRUCTION	1	ACXF60-03290	
	53	INSTALLATION INSTRUCTION	1	ACXF60-03300	
	54	INSTALLATION INSTRUCTION	1	ACXF60-03310	
	55	INSTALLATION INSTRUCTION	1	ACXF60-03320	

(NOTE)

- All parts are supplied from PAPAMY, Malaysia (Vendor Code: 00029488).
- "O" marked parts are recommended to be kept in stock.

21.2 Outdoor Unit



Note

The above exploded view is for the purpose of parts disassembly and replacement.
The non-numbered parts are not kept as standard service parts.

SAFETY	REF. NO.	PART NAME & DESCRIPTION	QTY.	CU-NZ9SKE	REMARK
	1	CHASSIS COMPLETE	1	CWD52K1310	
	2	SOUND PROOF MATERIAL	1	CWG302630	
	3	FAN MOTOR BRACKET	1	CWD541167	
	4	SCREW - FAN MOTOR BRACKET	2	CWH551217	
⚠	5	FAN MOTOR	1	ARS6411AC	O
	6	SCREW - FAN MOTOR MOUNT	4	CWH55252J	
	7	PROPELLER FAN ASSY	1	CWH03K1066	
	8	NUT - PROPELLER FAN	1	CWH56053J	
⚠	9	COMPRESSOR	1	9RD132XAB21	O
	10	ANTI - VIBRATION BUSHING	3	CWH50077	
	11	NUT - COMPRESSOR MOUNT	3	CWH561096	
	12	CONDENSER	1	ACXB32C01690	
	14	DISCHARGE MUFFLER (4 W. VALVE)	1	CWB121010	
	15	HOLDER COUPLING	1	CWH351233	
	16	2-WAYS VALVE (LIQUID)	1	CWB021590	O
	17	3-WAY VALVE (GAS)	1	CWB011374	O
	18	DISCHARGE MUFFLER	1	CWB121058	
⚠	19	REACTOR	1	G0C193J00004	O
	20	TERMINAL COVER	1	CWH171039A	
	21	NUT - TERMINAL COVER	1	CWH7080300J	
	22	SOUND PROOF BOARD	1	CWH151364	
	23	SOUND PROOF MATERIAL	1	CWG302952	
⚠	26	ELECTRONIC CONTROLLER - MAIN	1	ACXA73C08340R	O
⚠	27	TERMINAL BOARD ASSY	1	CWA28K1110J	O
	28	CABINET SIDE PLATE CO.	1	ACXE04C00550	
	29	SENSOR CO - AIR TEMP AND PIPE TEMP	1	CWA50C3079	O
	30	CABINET SIDE PLATE	1	CWE041616A	
	31	CABINET FRONT PLATE CO.	1	CWE06C1441	
	32	CABINET TOP PLATE	1	CWE031148A	
	33	CONTROL BOARD COVER	1	CWH131470	
	34	CONTROL BOARD COVER - COMPLETE	1	CWH13C1253	
	35	CONTROL BOARD COVER - TOP	1	CWH131473	
	36	SENSOR CO - COMP TEMP	1	CWA50C2894	O
	38	4-WAYS VALVE	1	ACXB00-00130	O
⚠	39	V-COIL COMPLETE - 4 WAY VALVE	1	ACXA43C00250	O
	48	STRAINER	1	CWB11094	
	49	EXPANSION VALVE	1	CWB051078	
	50	HEATER	1	CWA341072	
⚠	51	V-COIL COMPLETE - EXP. VALVE	1	CWA43C2603	O
	52	PANASONIC BADGE	1	CWE373439	
	53	NORDIC HEATPUMP BADGE	1	CWE373985	

(NOTE)

- All parts are supplied from PAPAMY, Malaysia (Vendor Code: 00029488).
- "O" marked parts are recommended to be kept in stock.

SAFETY	REF. NO.	PART NAME & DESCRIPTION	QTY.	CU-NZ12SKE	REMARK
	1	CHASSIS COMPLETE	1	CWD52K1359	
	2	SOUND PROOF MATERIAL	1	CWG302630	
	3	FAN MOTOR BRACKET	1	CWD541167	
	4	SCREW - FAN MOTOR BRACKET	2	CWH551217	
	5	FAN MOTOR	1	ARS6411AC	O
	6	SCREW - FAN MOTOR MOUNT	4	CWH55252J	
	7	PROPELLER FAN ASSY	1	CWH03K1066	
	8	NUT - PROPELLER FAN	1	CWH56053J	
	9	COMPRESSOR	1	9RD132XAB21	O
	10	ANTI - VIBRATION BUSHING	3	CWH50077	
	11	NUT - COMPRESSOR MOUNT	3	CWH561096	
	12	CONDENSER	1	CWB32C3547	
	14	DISCHARGE MUFLER (4 W. VALVE)	1	CWB121010	
	15	HOLDER COUPLING	1	CWH351233	
	16	2-WAYS VALVE (LIQUID)	1	CWB021589	O
	17	3-WAY VALVE (GAS)	1	CWB011374	O
	18	DISCHARGE MUFLER	1	CWB121058	
	19	REACTOR	1	G0C193J00004	O
	20	TERMINAL COVER	1	CWH171039A	
	21	NUT - TERMINAL COVER	1	CWH7080300J	
	22	SOUND PROOF BOARD	1	CWH151273	
	23	SOUND PROOF MATERIAL	1	CWG302952	
	26	ELECTRONIC CONTROLLER - MAIN	1	ACXA73C08350R	O
	27	TERMINAL BOARD ASSY	1	CWA28K1110J	O
	28	CABINET SIDE PLATE CO.	1	CWE04C1481	
	29	SENSOR CO - AIR TEMP AND PIPE TEMP	1	CWA50C3079	O
	30	CABINET SIDE PLATE - LEFT	1	CWE041616A	
	31	CABINET FRONT PLATE CO.	1	CWE06C1441	
	32	CABINET TOP PLATE	1	CWE031148A	
	33	CONTROL BOARD COVER	1	CWH131470	
	34	CONTROL BOARD COVER - COMPLETE	1	CWH13C1253	
	35	CONTROL BOARD COVER - TOP	1	CWH131473	
	36	SENSOR CO - COMP TEMP	1	CWA50C2894	O
	38	4-WAYS VALVE	1	ACXB00-00130	O
	39	V-COIL COMPLETE - 4 WAY VALVE	1	ACXA43C00250	O
	48	STRAINER	1	CWB11094	
	49	EXPANSION VALVE	1	CWB051078	
	50	HEATER	1	CWA341072	
	51	V-COIL COMPLETE	1	CWA43C2603	O
	52	PANASONIC BADGE	1	CWE373439	
	53	NORDIC HEATPUMP BADGE	1	CWE373985	

(NOTE)

- All parts are supplied from PAPAMY, Malaysia (Vendor Code: 00029488).
- "O" marked parts are recommended to be kept in stock.

SAFETY	REF. NO.	PART NAME & DESCRIPTION	QTY.	CU-QZ9SKE	REMARK
	1	CHASSIS COMPLETE	1	CWD52K1310	
	2	SOUND PROOF MATERIAL	1	CWG302630	
	3	FAN MOTOR BRACKET	1	CWD541167	
	4	SCREW - FAN MOTOR BRACKET	2	CWH551217	
⚠	5	FAN MOTOR	1	ARS6411AC	O
	6	SCREW - FAN MOTOR MOUNT	4	CWH55252J	
	7	PROPELLER FAN ASSY	1	CWH03K1066	
	8	NUT - PROPELLER FAN	1	CWH56053J	
⚠	9	COMPRESSOR	1	9RD132XAB21	O
	10	ANTI - VIBRATION BUSHING	3	CWH50077	
	11	NUT - COMPRESSOR MOUNT	3	CWH561096	
	12	CONDENSER	1	ACXB32C01690	
	14	DISCHARGE MUFFLER (4 W. VALVE)	1	CWB121010	
	15	HOLDER COUPLING	1	CWH351233	
	16	2-WAYS VALVE (LIQUID)	1	CWB021590	O
	17	3-WAY VALVE (GAS)	1	CWB011374	O
	18	DISCHARGE MUFFLER	1	CWB121058	
⚠	19	REACTOR	1	G0C193J00004	O
	20	TERMINAL COVER	1	CWH171039A	
	21	NUT - TERMINAL COVER	1	CWH7080300J	
	22	SOUND PROOF BOARD	1	CWH151364	
	23	SOUND PROOF MATERIAL	1	CWG302952	
⚠	26	ELECTRONIC CONTROLLER - MAIN	1	ACXA73C08340R	O
⚠	27	TERMINAL BOARD ASSY	1	CWA28K1110J	O
	28	CABINET SIDE PLATE CO.	1	ACXE04C00550	
	29	SENSOR CO - AIR TEMP AND PIPE TEMP	1	CWA50C3079	O
	30	CABINET SIDE PLATE - LEFT	1	CWE041616A	
	31	CABINET FRONT PLATE CO.	1	CWE06C1441	
	32	CABINET TOP PLATE	1	CWE031148A	
	33	CONTROL BOARD COVER	1	CWH131470	
	34	CONTROL BOARD COVER - COMPLETE	1	CWH13C1253	
	35	CONTROL BOARD COVER - TOP	1	CWH131473	
	36	SENSOR CO - COMP TEMP	1	CWA50C2894	O
	38	4-WAYS VALVE	1	ACXB00-00130	O
⚠	39	V-COIL COMPLETE	1	ACXA43C00250	O
	48	STRAINER	1	CWB11094	
	49	EXPANSION VALVE	1	CWB051078	
	50	HEATER	1	CWA341072	
⚠	51	V-COIL COMPLETE	1	CWA43C2603	O
	52	PANASONIC BADGE	1	CWE373439	
	53	NORDIC HEATPUMP BADGE	1	CWE373985	

(NOTE)

- All parts are supplied from PAPAMY, Malaysia (Vendor Code: 00029488).
- "O" marked parts are recommended to be kept in stock.