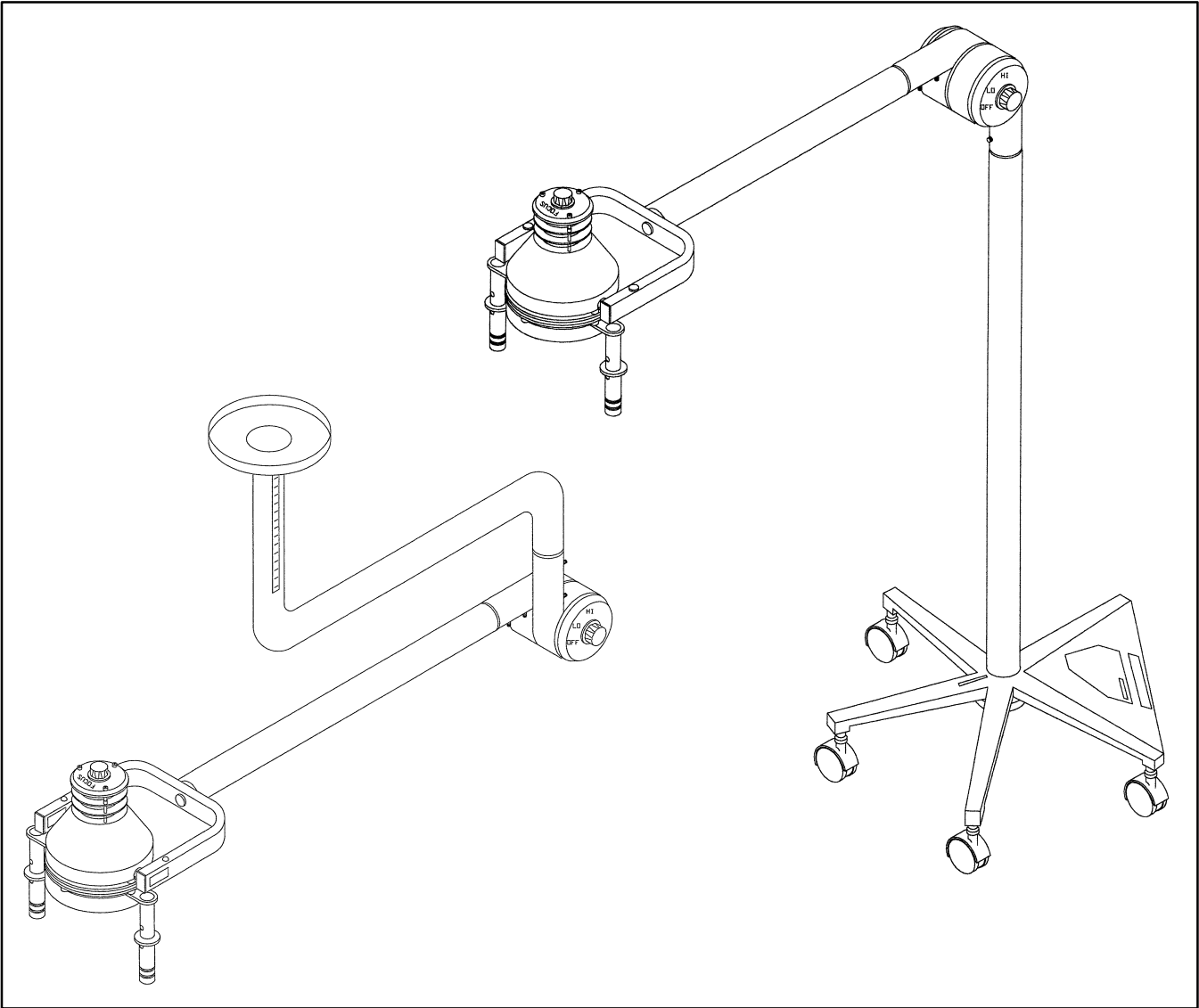


IMPORTANT
File in your
maintenance
records

stryker[®] **Medical**



2110 Ceiling Light/2112 Floor Light

OPERATIONS/MAINTENANCE MANUAL

For Parts or Technical Assistance
1-800-327-0770

Table of Contents

Assembly Instructions	2
Counterweight Assembly	2, 3
Installation Instructions	4, 5
Operating Instructions	
Hi/Lo Intensity Control	6
Focus Control	6
Removable Positioning Handles	6
Spare Bulb And Fuse Storage	6
Maintenance Instructions	
Counterweight Assembly Cover (Floor Light Only)	7
Bulb Replacement	7
Fuse Replacement	7
Electrical Schematics	8, 9
Assembly Drawings and Parts Lists	
Floor Light Final Assembly	10
Floor Light Base Assembly with Casters	11
Floor Light Head/Arm Post Assembly	12
Floor Light Post Assembly	13
Floor Light Head/Arm Assembly	14
Floor Light Arm Assembly	15
Yoke Assembly	16
Floor Light Tension Spring Assembly	17
Floor Light Hub Assembly	18
Floor Light Focus Adjustment Ring Assembly	19
Floor Light Focus Assembly	20
Lens Assembly	21
Switch Cover Assembly	22
Floor Light Rotary Switch Assembly	23
Floor Light Handle Assembly	24
Floor Light Base Cover Assembly	25
Floor Light Counterweight Assembly	26, 27
Ceiling Light Final Assembly	28
Ceiling Light Head/Arm Assembly, with Cable	29
Ceiling Light Rotary Head/Arm Assembly	30
Ceiling Light Head Arm Assembly	31
Ceiling Light Arm Assembly	32
Ceiling Light Hub Assembly	33
Ceiling Light Arm Assembly	34
Mount/Bushing Assembly	35
Set Collar Assembly	36
Set Collar Assembly	37
Junction Box Assembly	38, 39
Shroud Collar Assembly	40
Set Collar Assembly	41
Replacement Parts List	42
Limited Warranty	
Obtaining Parts and Service	43
Supplemental Warranty Coverage	43
Return Authorization	44
Freight Damage Claims	44

Assembly Instructions

FLOOR LIGHT ONLY

The Adel Minor Surgery Light is packed in two shipping cartons and should be assembled using the following instructions:

NOTE

Assemble the light on soft, protective material to avoid marring the finish of the light.

Required Tools:

Phillips Screwdriver

3/4" Wrench

Hammer

Assembly Instructions:

1. Remove the base, counterweight assembly and head/post assembly from their cartons. Locate the pin-stripe tape on the post (tapered end) and on the base next to the center hole.
2. Lay the head/post assembly on the floor with the light head above the post (pinstripe on top). Insert end of post into base by threading wires through base center hole. Rotate post until pinstripe tape on the base and post are aligned. Tap bottom of base with hammer to secure on post.
3. Attach the counterweight assembly by screwing the 1/2" bolt into the end of the post. The counterweight assembly hangs between the two bottom legs of the base opposite the pinstripe tape. Route the electric wires past the 1/2" bolt into the counterweight assembly area. Support the counterweight assembly with one hand while turning the 1/2" bolt.

NOTE

The tab on the counterweight assembly must enter the center hole of the base.

4. Ensure the pinstripe tape on the head/post assembly and base are still in alignment. Remove tape.
5. Place light in upright position.

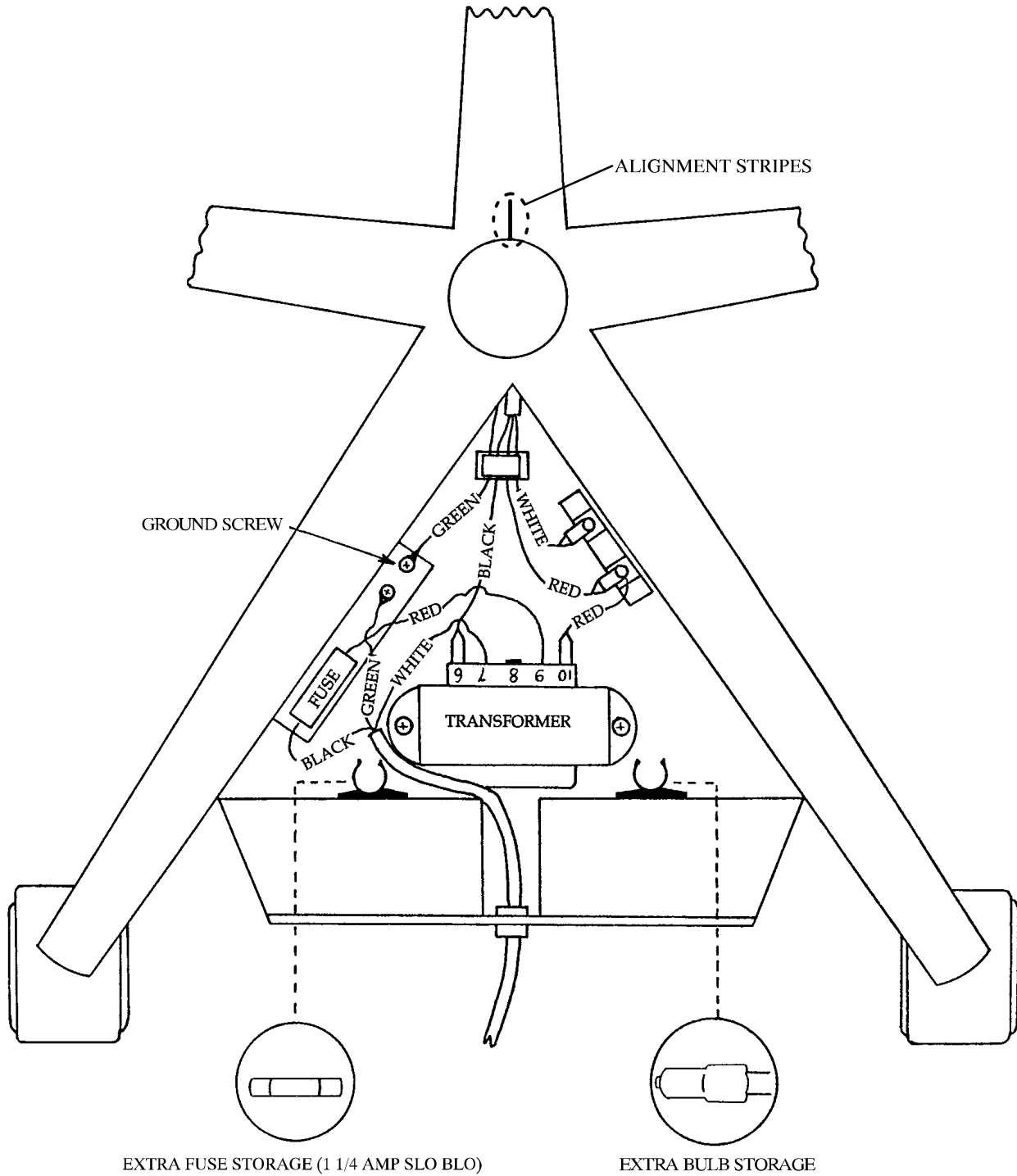
Counterweight Assembly Instructions (see counterweight assembly illustration on page 3):

1. Remove ground screw and two washers from the left side of the counterweight assembly. Connect single green ground wire using the following stacking sequence: screw, washer, wire terminal, washer.
2. Attach black wire to tab marked #6 on transformer.
3. Attach red wire to terminal strip tab with red wire from transformer.
4. Attach white wire to terminal strip *opposite* red wires.

Transformer Cover and Positioning Handles Assembly Instructions:

1. Slide transformer cover under the edge of the leg base and snap it into position by applying pressure on the outer edge; fasten with #8–32 screw provided. If the cover does not slide under the edge, loosen bolt at end of post, slide cover under edge, and re-tighten bolt.
2. Install positioning handles into handle sockets on light head until spring loaded button snaps into locking position.

Counterweight Assembly



Installation Instructions

CEILING LIGHT ONLY:

The Adel Minor Surgery Light is packed in two shipping cartons and should be assembled using the following instructions:

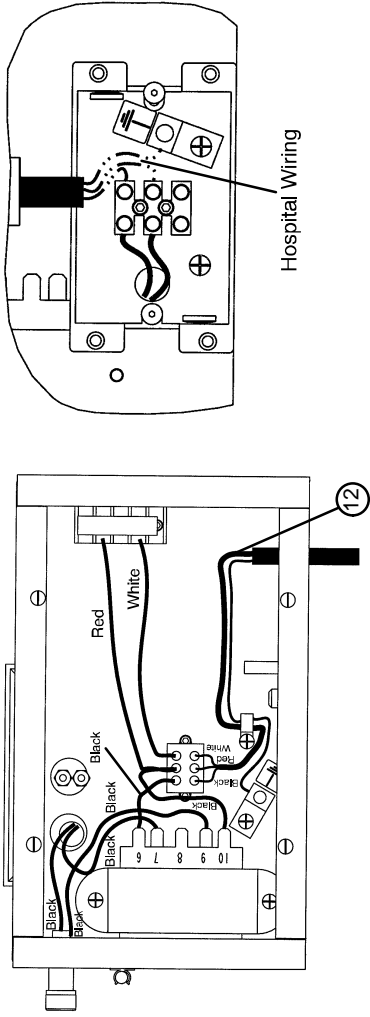
1. Bolt the mounting bracket/leveling assembly (item 1) to the mounting support above the drop ceiling.
2. Cut a 4" diameter hole in the ceiling tile to line up with the bearing tube.
3. Push the end of a tape measure through the I.D. of the bearing tube on the bracket/leveling assembly and measure the distance to the floor. Cut the upper arm (item 2) with a hacksaw at the decal number corresponding to the measured height. Deburr the edges of the arm.
4. The stop pin (item 3) in the hub journal is flush with the O.D. of the journal on one side and the bottom of the groove on the opposite side. This pin limits the rotation of the head/arm assembly (item 4). The pin can extend into the groove on either side to change the stop position by 180°.
5. Install the tube end bushing (item 5) into the cut off end of the upper arm (item 2).
6. Slide the cut end of the upper arm (item 2) through the hole in the ceiling tile and into the bearing tube in the mounting bracket/leveling assembly (item 1). Slide the safety collar (item 6) over the end of the arm that is through the bearing tube and tighten the set screws. The lower end of the upper arm should be 79" from the floor when properly installed.
7. Rotate the upper arm to the desired limit. Rotate the stop collar (item 7) in the same direction the arm was rotated until the longer set screw contacts the stop (item 8). Tighten all three set screws in the stop collar and the three set screws in the locking collar (item 9).
8. Slide the ceiling shroud and support collar (items 10 & 11) up the upper arm until the shroud touches the ceiling tile. Tighten the set screws in the support collar while keeping the shroud in contact with the ceiling.
9. Connect the head and lower arm assembly (item 4) to the upper arm by sliding the hub onto the upper arm journal while threading the electrical cable (item 12) up the upper arm and into the junction box located on top of the mount plate. Apply Loctite to the two set screws (item 13) located in the hub. Tighten these set screws, while holding the lower arm in place, until they bottom out, then back them out 1/8 turn.
10. Cut the electrical cable (item 12) in the junction box, leaving 12" of wire extending from the end of the tube (item 2). Strip the wire sheathing back approximately 6" and attach the wire as shown in the illustration on page 5).

WARNING

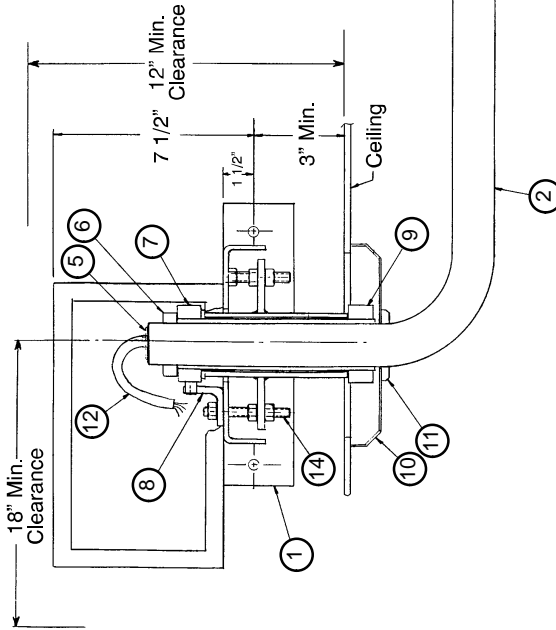
Make sure the **power supply is shut off** before connecting wires or personal injury could result.

11. Attach the main power supply wire as shown.
12. Adjust the triangular shaped leveling plate hanging from the studs (item 14) either up or down on any corner until the arm will not swing on its own no matter what position the light head is in.
13. Attach the cover plate to the junction box.
14. Make sure the switch on the light hub is in the "OFF" position, turn on the power and turn the light hub switch to both the low and the high positions to ensure the light is working properly.

Installation Instructions

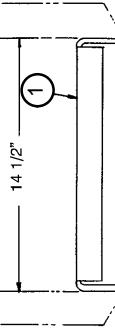


JUNCTION BOX WIRING

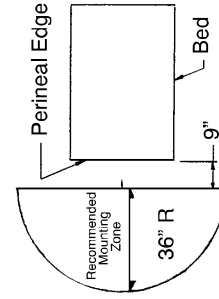
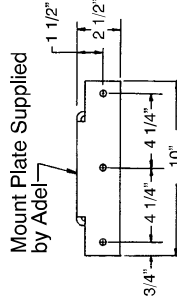


MOUNTING DETAIL

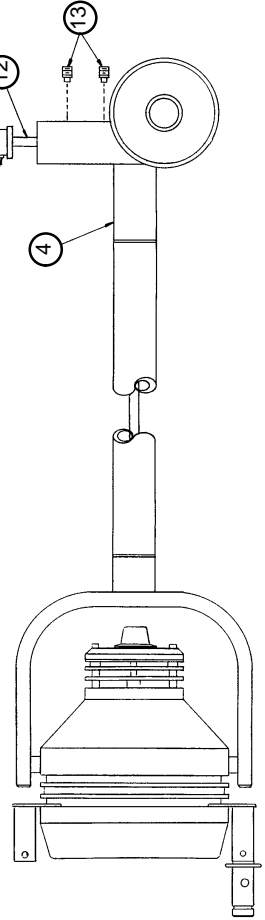
Mount Supports Supplied by Customer must Carry a 500 ft-lb Moment & 150 lb. Direct Load



Mount Bolts to be 3/8" Dia. Bolts or Lag Screws - 6 Req.



If a Wall Cabinet is used, the Max. Distance the Center of the Mount Plate can be from a Wall is 41"



LIGHT MOUNTING WITH RESPECT TO BED

Operating Instructions

HI/LO INTENSITY CONTROL:

A single knob located on one side of the arm-to-post joint turns the light on and adjusts the light intensity to a low or high level. Select the intensity that provides the best tissue discrimination and minimum eye strain.

FOCUS CONTROL:

The knob located on the back of the light head provides an adjustment to obtain an optimum area of shadow-less illumination. Readjustment may be required when the distance from the tissue surface changes. the focus knob provides full adjustment in 1 1/2 turns.

CAUTION

Do not force the focus knob after it stops turning. Damage to the focusing mechanism may result if the knob is turned more than 1 1/2 turns.

REMOVABLE POSITIONING HANDLES:

A positioning handle is located on each side of the light head. The handles can be easily removed by pressing the spring loaded button and pulling away from the light head. The handles can be autoclaved and reinstalled using sterile techniques.

Reorder number (set of 2) – 8815-011-100

SPARE BULB AND FUSE STORAGE:

Floor Light: An extra bulb and fuse are located in the counterweight assembly at the base of the floor light.

Ceiling Light: A spare fuse is located on the side of the junction box on the ceiling light.

Bulb reorder number – 8815-004-500

Fuse reorder number – 8815-003-200

See page 7 for replacement procedures.

Maintenance Instructions

COUNTERWEIGHT ASSEMBLY COVER (FLOOR LIGHT ONLY):

CAUTION

Unplug power cord before removing counterweight assembly cover.

For both fuse and bulb replacement, it will be necessary to remove the triangular counterweight assembly cover at the base of the light.

To remove the cover: Remove the #8–32 screw. Slightly loosen the 1/2" bolt at the bottom of the post and pull the counterweight assembly cover out away from the center post. This uncovers the transformer, fuse holder, extra fuse and extra bulb and provides access to some of the wiring.

When replacing the counterweight assembly cover, DO NOT over-tighten the 1/2" bolt. Light but firm pressure should be applied to hold the cover up against the lip of the leg base.

BULB REPLACEMENT:

CAUTION

Turn source power off before replacing bulb or personal injury could result.

1. Remove front shroud.
2. Remove lens from lens clips. Be careful not to over-bend the clips when removing the lens. If the clips do get over-bent, be sure to straighten them before reinstalling the lens.
3. Be sure burned out bulb is cool, then remove it.
4. Install new bulb, using a clean cloth to handle the bulb. Do not touch bulb with bare fingers because skin oils cause premature failure of the bulb. Do not move the bulb from side-to-side while installing it; push it straight in.
5. Replace the lens, making sure all four clips make secure contact with the lens.
6. Replace the shroud.
7. Turn the power back on.
8. Turn light on to HI to check the light's performance.

Bulb reorder number – 8815–035–800

FUSE REPLACEMENT:

CAUTION

Turn source power off before replacing fuse or personal injury could result.

Floor Light: The spare fuse is mounted next to the transformer in the counterweight assembly at the base of the floor light (see counterweight assembly illustration on page 5).

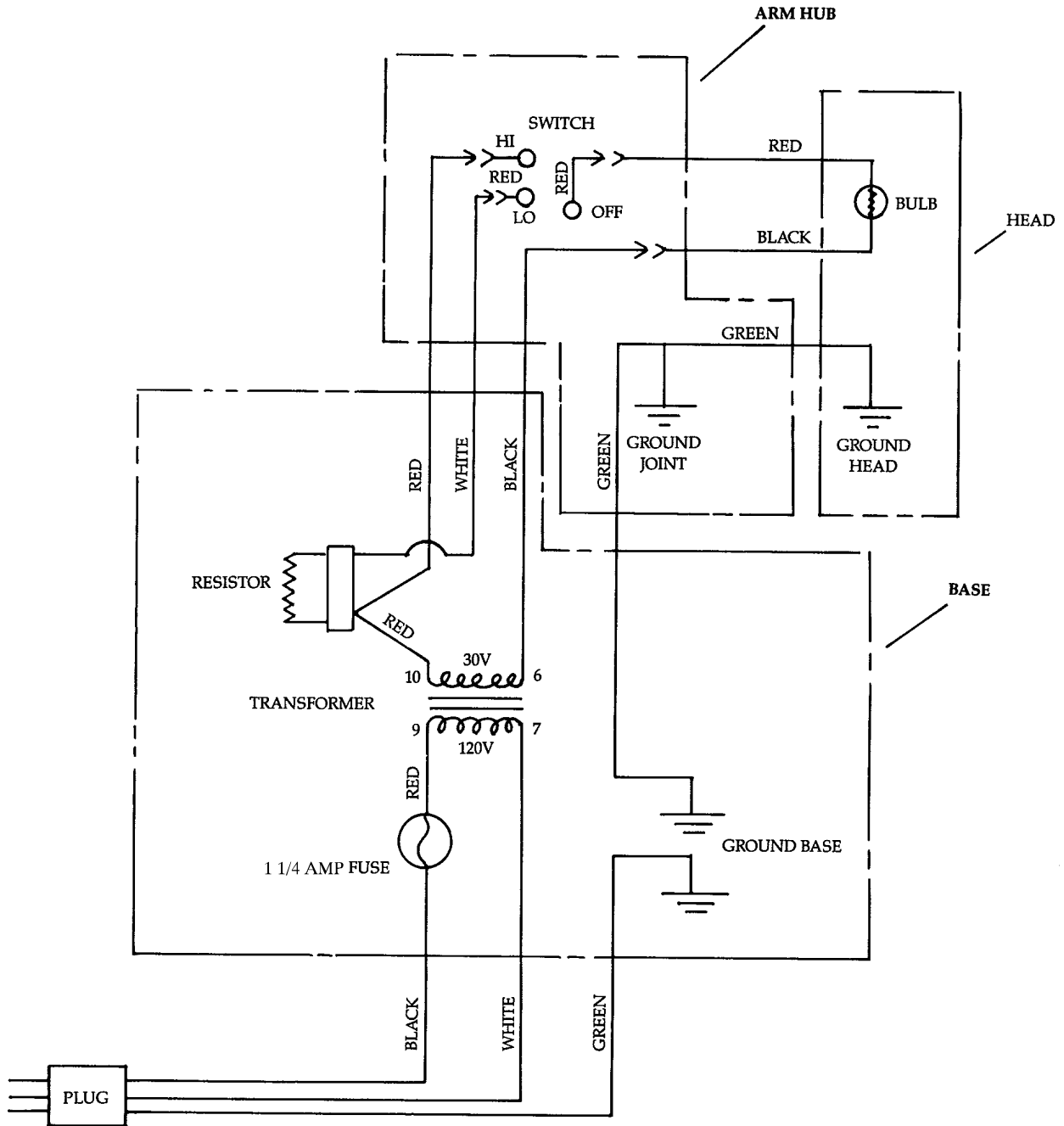
Ceiling Light: The spare fuse is mounted on the side of junction box on the ceiling light.

Remove blown fuse from fuse holder and replace with spare fuse.

Fuse reorder number – 8815–003–200

Electrical Schematics

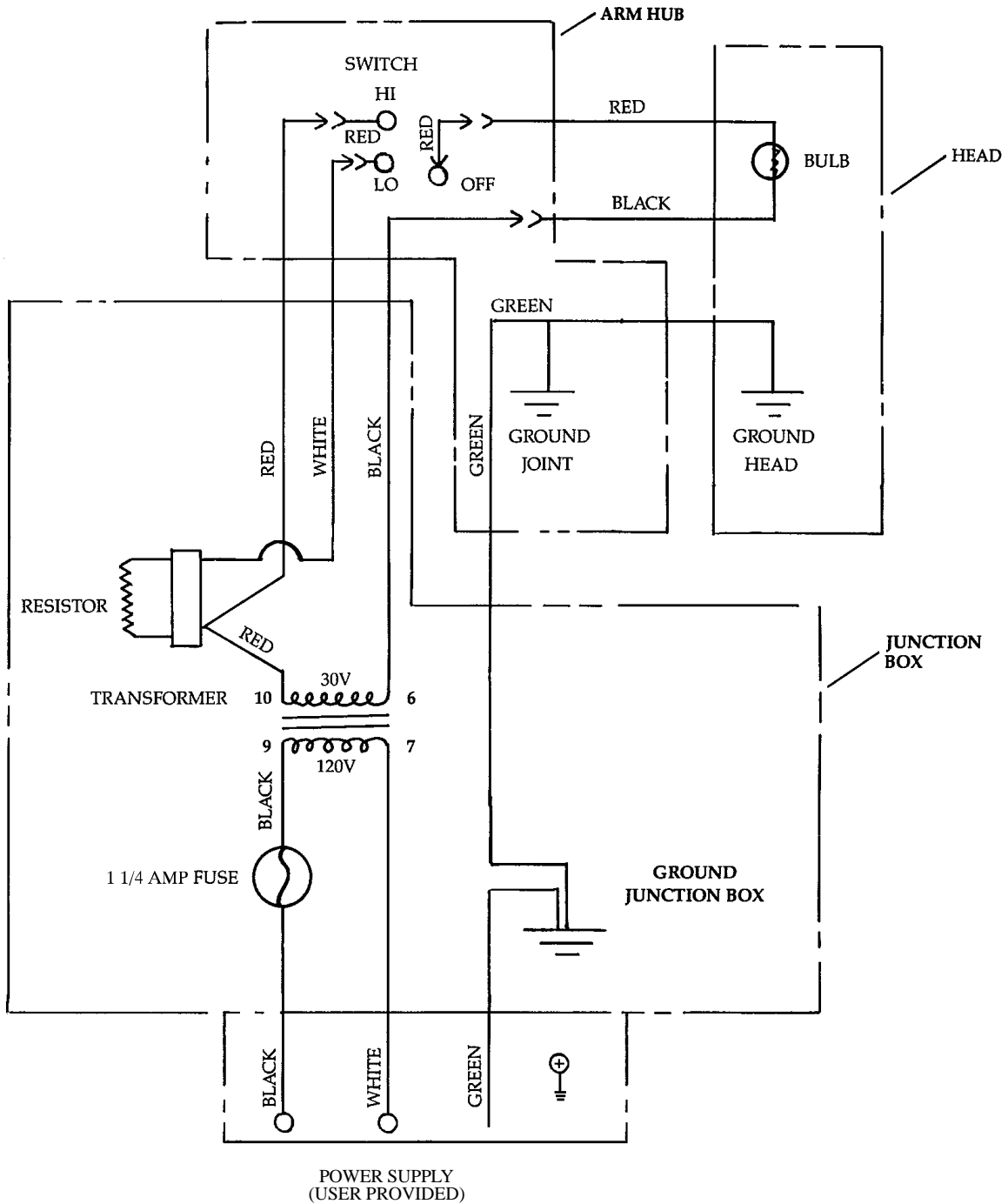
FLOOR LIGHT



120 VOLTS, 60 Hz, 1 1/4 AMP RATING
105 TO 135 VAC OPERATING RANGE

Electrical Schematics

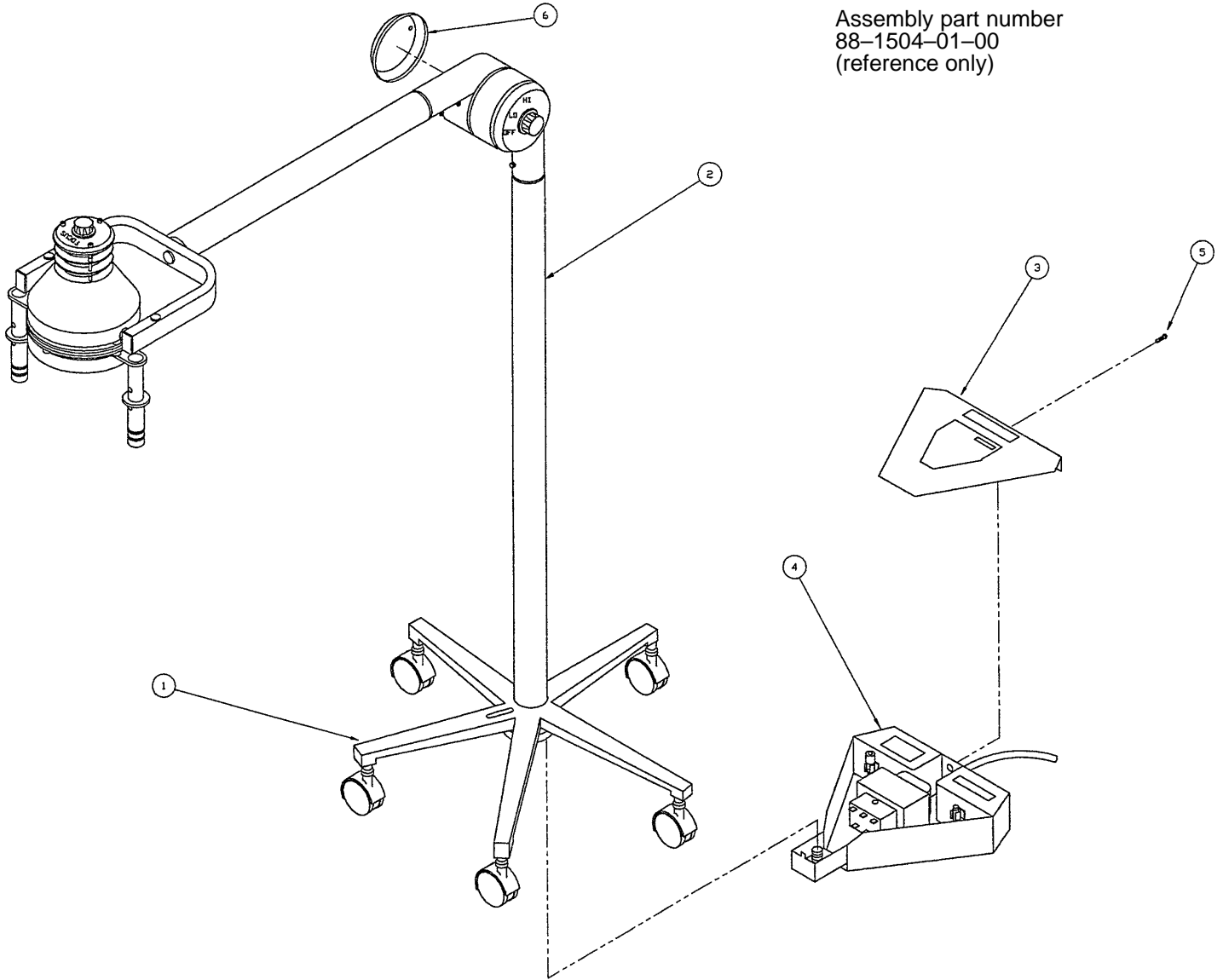
CEILING LIGHT



120 VOLTS, 60 Hz, 1 1/4 AMP RATING
105 TO 135 VAC OPERATING RANGE

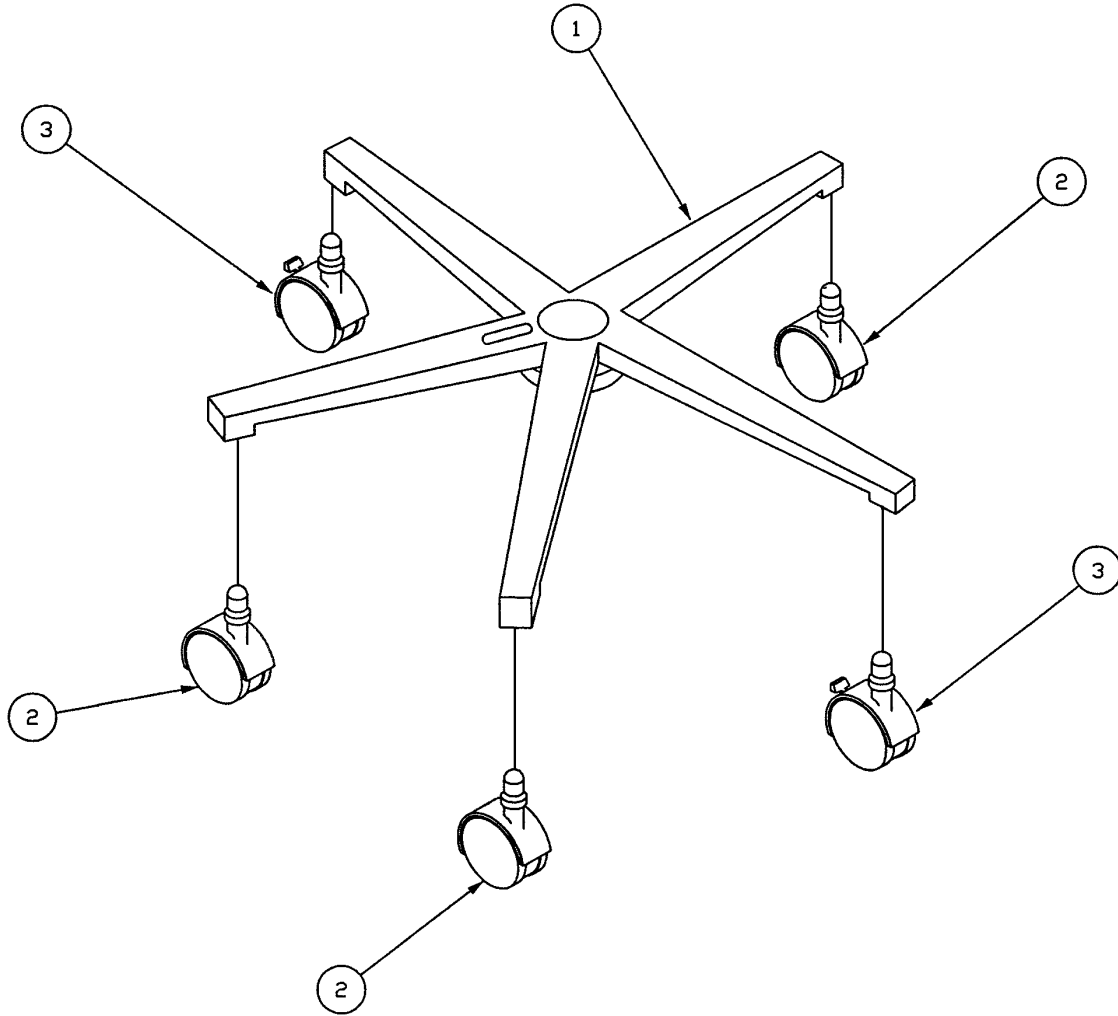
Floor Light Final Assembly

Assembly part number
88-1504-01-00
(reference only)



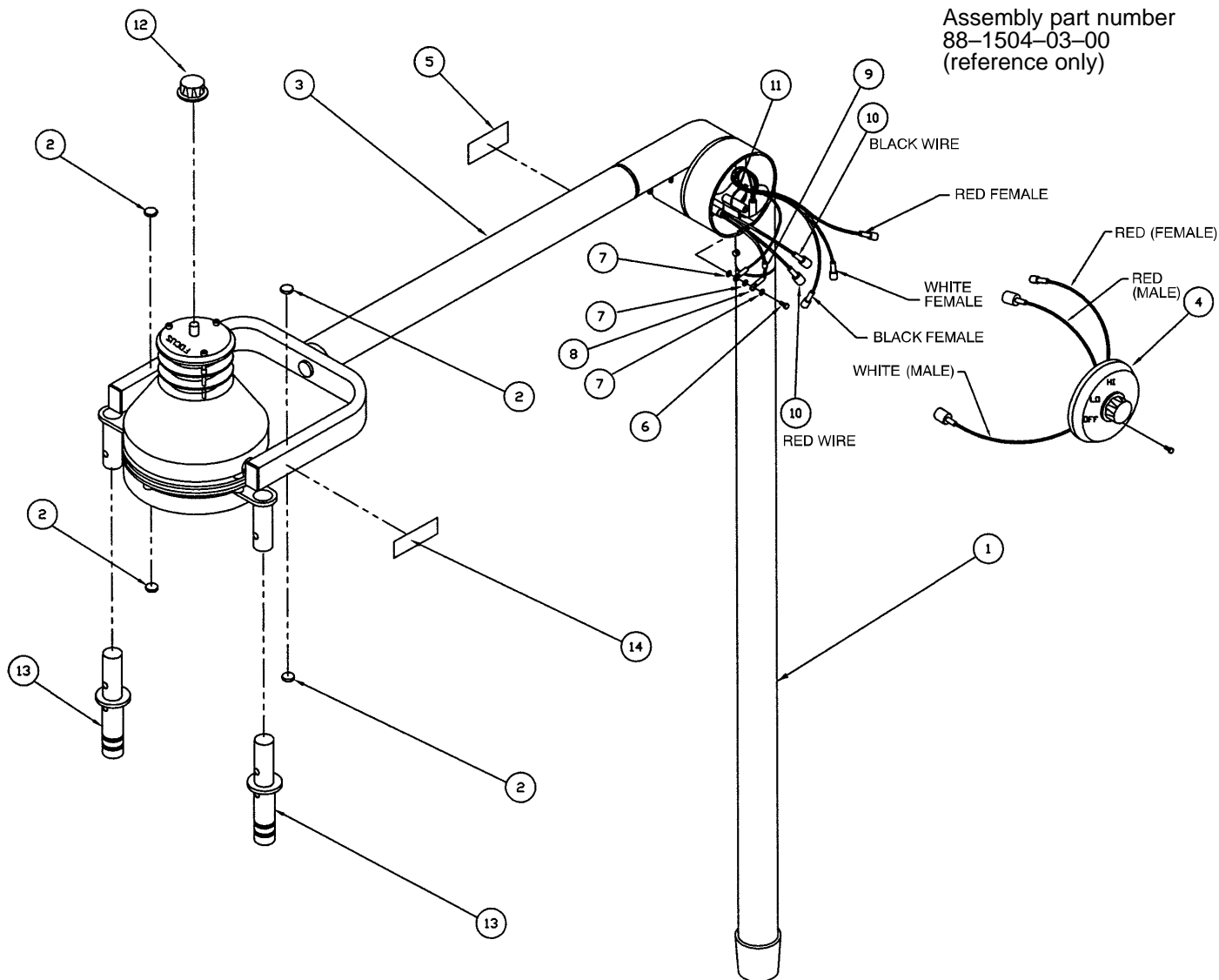
Item	Part No.	Part Name	Qty.
1	(page 11)	Base Assembly with Casters	1
2	(page 12)	Head/Arm Post Assembly	1
3	(page 25)	Base Cover Assembly	1
4	(page 26)	Counterweight Assembly	1
5	88-1500-57-00	Phillips Hd. Screw	1
6	88-1504-05-00	Hub Cover	1

88-1504-02-00 Floor Light Base Ass'y with Casters



Item	Part No.	Part Name	Qty.
1	88-1504-28-00	Lamp Base	1
2	88-0179-00-00	Caster	3
3	88-1502-01-02	Locking Caster	2

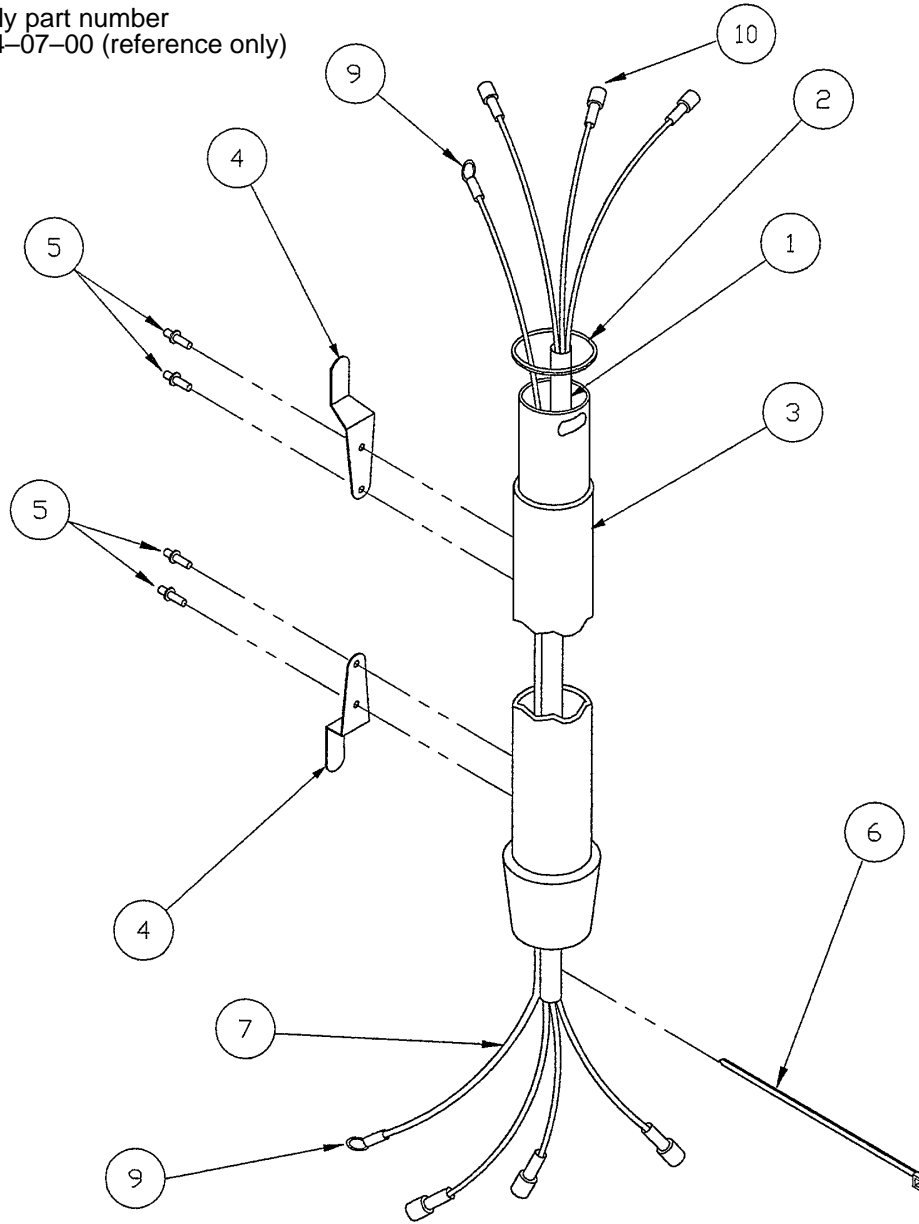
Floor Light Head/Arm Post Assembly



Item	Part No.	Part Name	Qty.
1	(page 13)	Light Post Assembly	1
2	88-1500-30-00	Clear Button Bumper	4
3	(page 14)	Head/Arm Assembly	1
4	(page 22)	Switch Cover Assembly	1
5	88-0084-06-00	Adel Label	1
6	88-1500-70-00	Phillips Head Screw	1
7	88-1500-55-00	Star Lock Washer	3
8	88-0050-03-00	Ring Terminal	1
9	88-1502-94-00	Green Ground Tape	1
10	88-1500-26-00	Male Connector	2
11	88-1502-56-00	Cable Tie	1
12	88-1501-14-00	Knob	1
13	(page 24)	Handle Assembly	2
14	1502-001-005	Burn Caution Label	1

Floor Light Post Assembly

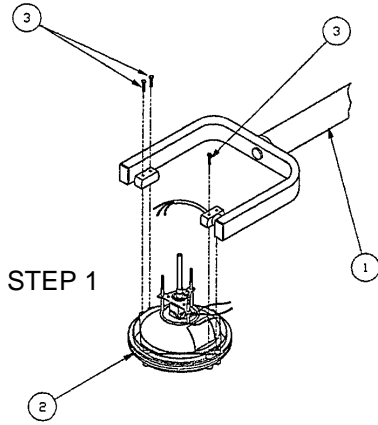
Assembly part number
88-1504-07-00 (reference only)



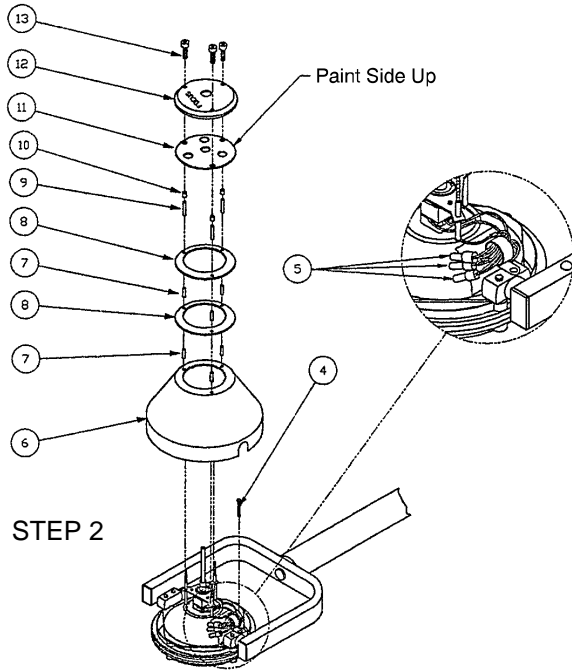
Item	Part No.	Part Name	Qty.
1	88-1502-90-00	Cable	5.5
2	88-1501-61-00	Bearing Spacer	1
3	88-1504-10-00	Vertical Tube	1
4	500-30-49	Cord Clip	2
5	88-0173-00-00	Pop Rivet	4
6	88-1502-56-00	Cable Tie	1
7	88-1501-30-00	Ground Wire	5.55'
9	88-0050-03-00	Ring Terminal	2
10	88-1500-27-00	Insulated Female Terminal	6

Floor Light Head/Arm Assembly

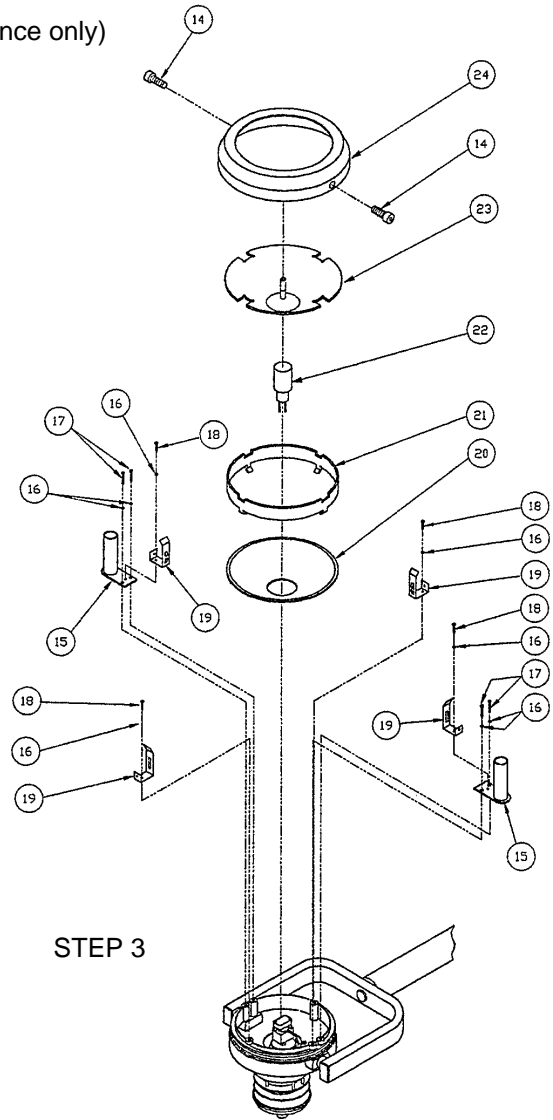
Assembly part number
88-1504-08-00 (reference only)



STEP 1



STEP 2

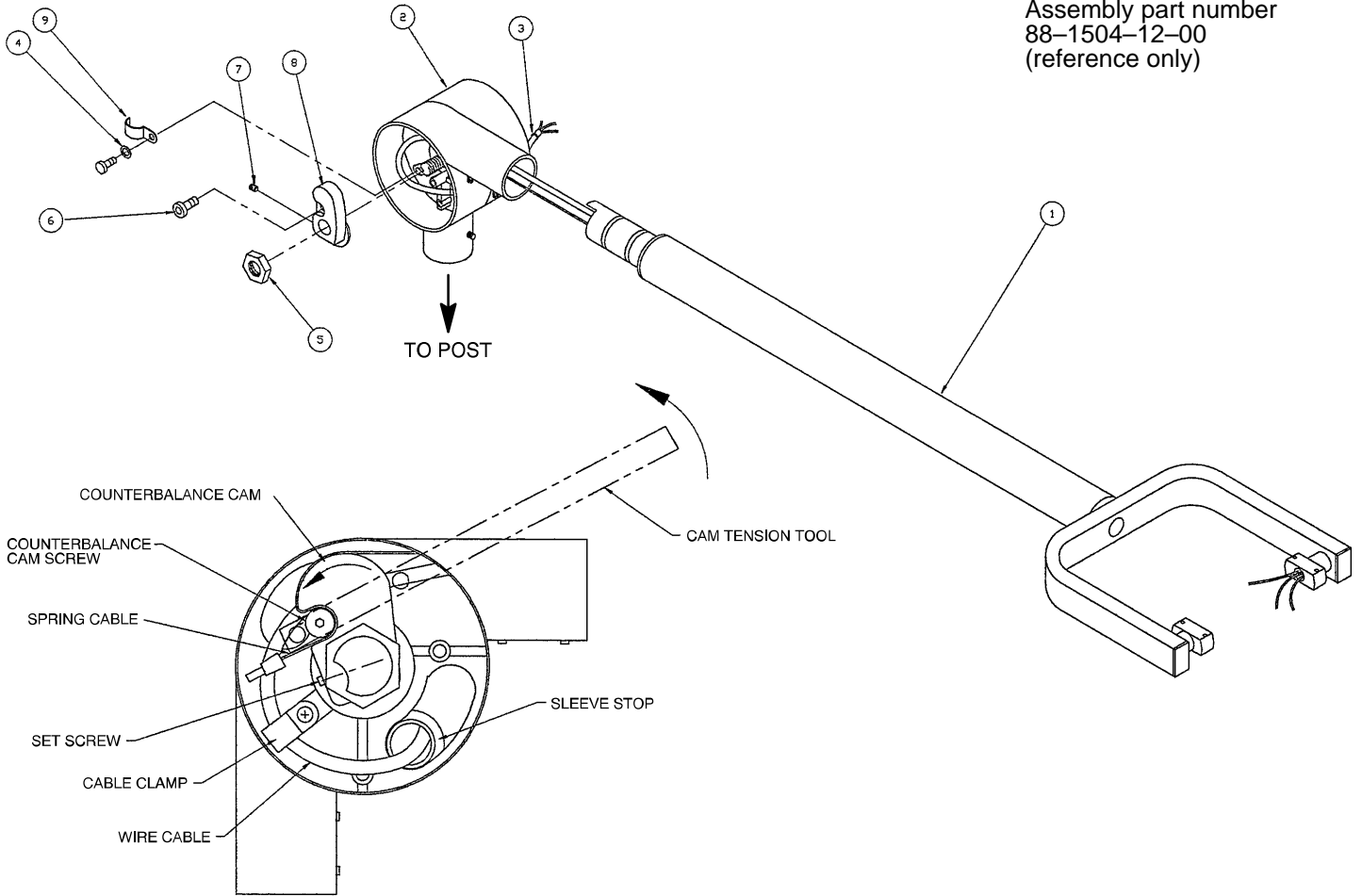


STEP 3

Item	Part No.	Part Name	Qty.	Item	Part No.	Part Name	Qty.
1	(page 15)	Light Arm Assembly	1	13	88-1500-89-00	Plastic Screw	3
2	(page 19)	Focus Adj. Ring Ass'y	1	14	88-1500-40-00	Thumb Screw Knob	2
3	88-1501-40-00	Phillips Hd. Screw	3	15	88-1504-18-00	Handle Mtg. Bracket	2
4	88-1501-84-00	Phillips Hd. Screw	1	16	88-1500-55-00	Int. Tooth Lock Washer	8
5	88-1501-92-00	Closed End Connector	3	17	88-1500-37-00	Hex Hd. Cap Screw	4
6	88-1504-14-00	Outer Housing	1	18	88-1500-70-00	Round Hd. Screw	4
7	88-1501-68-00	Stand Off	6	19	88-1502-80-00	Lens Clip	4
8	88-1504-15-00	Vent Ring	2	20	88-1500-98-00	Coated Mirror	1
9	88-1501-44-00	Round Threaded Spacer	3	21	88-1501-63-00	Front Heat Shield	1
10	88-1501-60-00	Spacer	3	22	88-1500-45-00	Bulb	1
11	88-1504-16-00	Cap Baffle	1	23	(page 21)	Lens Assembly	1
12	88-1504-25-00	Focus Cover	1	24	88-1504-19-00	Lens Mount Shroud	1

Floor Light Arm Assembly

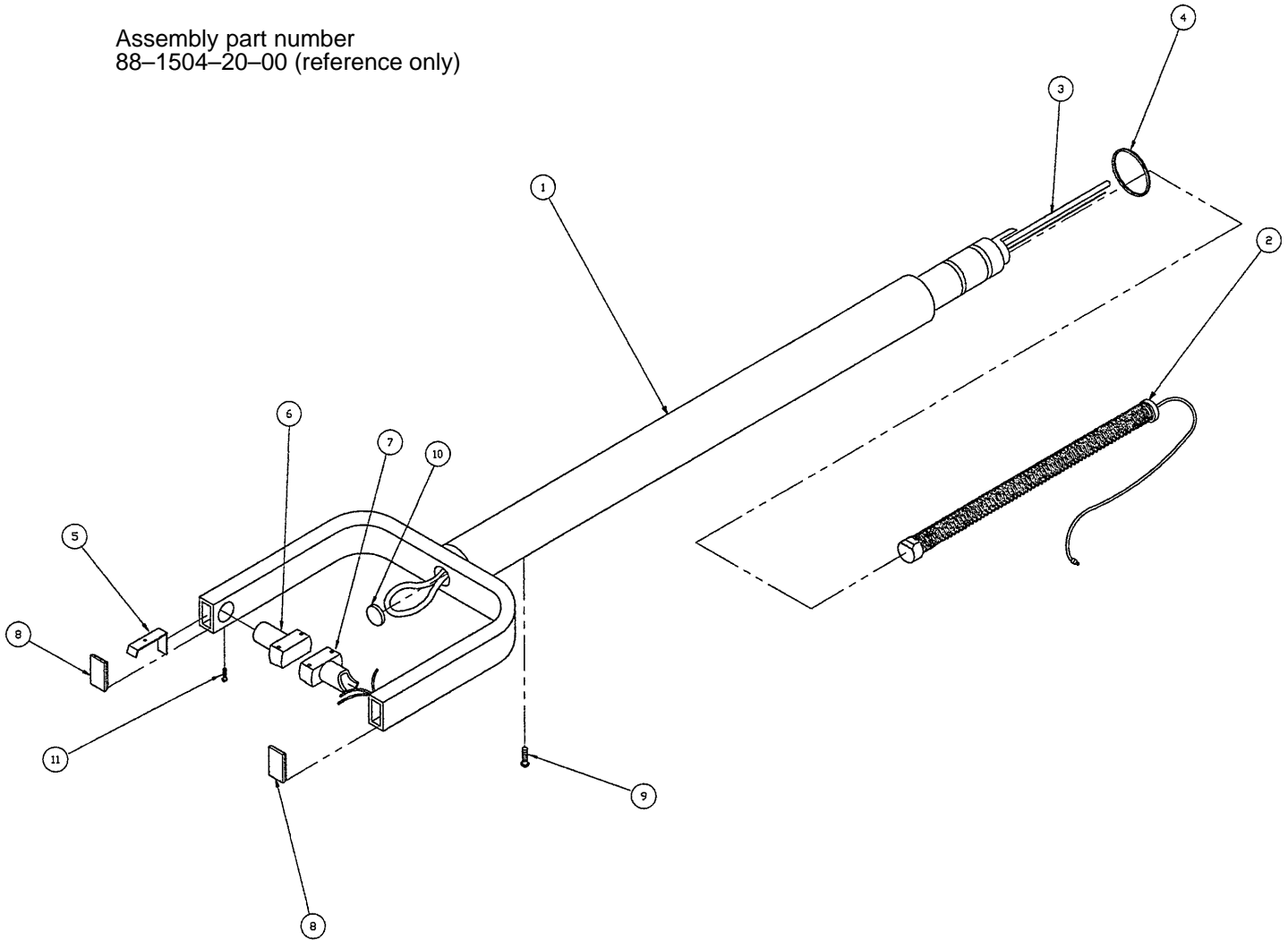
Assembly part number
88-1504-12-00
(reference only)



Item	Part No.	Part Name	Qty.
1	(page 16)	Yoke Assembly	1
2	(page 18)	Hub Assembly	1
3	88-1502-56-00	Cable Tie	1
4	88-1500-55-00	Lock Washer	1
5	88-1501-47-00	Hex Jam Nut	1
6	88-1501-78-00	Soc. Hd. Screw	1
7	88-0022-16-00	Set Screw	1
8	88-1500-67-00	Counterbalance Cam	1
9	88-0046-00-00	Cable Clamp	1

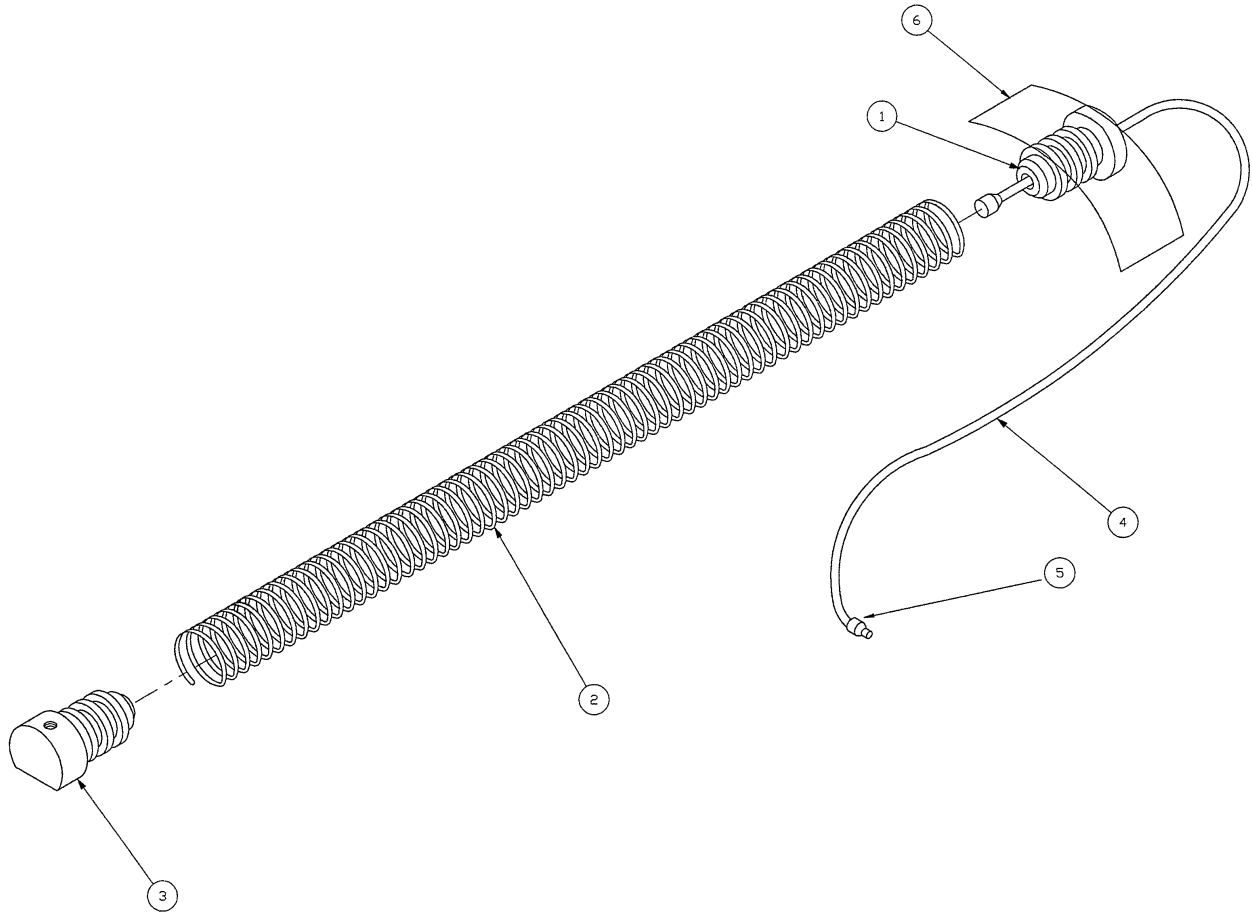
Yoke Assembly

Assembly part number
88-1504-20-00 (reference only)



Item	Part No.	Part Name	Qty.
1	88-1504-24-00	Yoke Swing Arm	1
2	(page 17)	Tension Spring Assembly	1
3	88-1502-90-00	Swing Arm Cable	4 Ft.
4	88-1501-61-00	Bearing Spacer	1
5	88-1501-72-00	Friction Spring	1
6	88-1501-56-00	Friction Block Pivot	1
7	88-1500-79-00	Head Pivot Block	1
8	88-1501-35-00	Rectangular Closure	2
9	88-1501-78-00	Button Hd. Screw	1
10	88-1503-13-00	Nylon Plug	1
11	88-1501-84-00	Phillips Hd. Screw	1

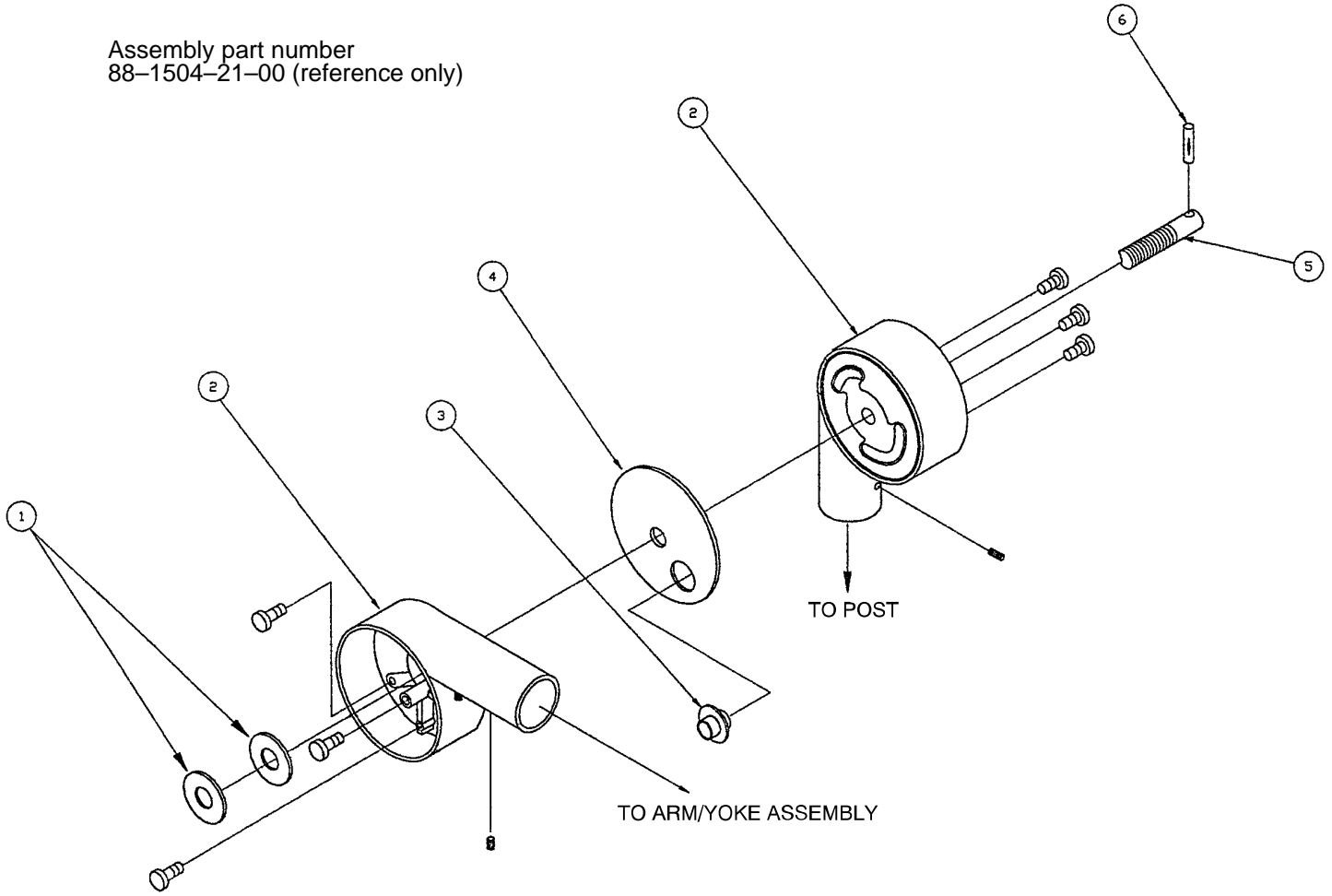
88-1503-47-00 Tension Spring Assembly



Item	Part No.	Part Name	Qty.
1	88-1500-74-00	Spring Fastener	1
2	88-1501-12-00	Counterbalance Spring	1
3	88-1500-73-00	Spring Anchor	1
4	88-1501-09-00	Counterbalance Cable	1
5	88-1501-92-00	Closed End Connector	1
6	88-0063-01-00	Adhesive Tape	3"

Floor Light Hub Assembly

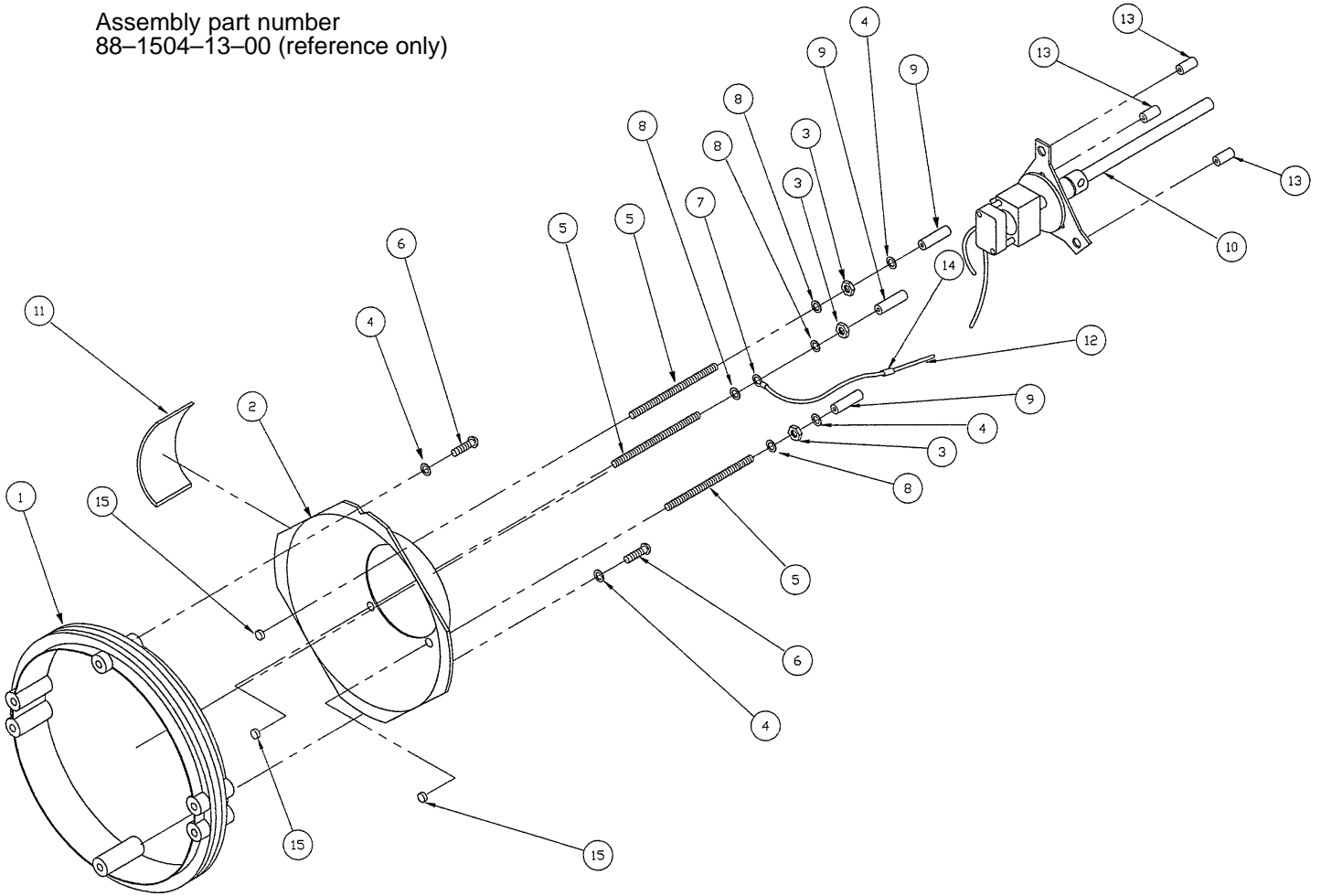
Assembly part number
88-1504-21-00 (reference only)



Item	Part No.	Part Name	Qty.
1	88-1501-37-00	Cam Thrust Washer	2
2	88-1504-23-00	Hub	2
3	88-1503-36-00	Sleeve Stop	1
4	88-1501-36-00	Hub Thrust Washer	1
5	88-1502-52-00	Hub Pivot Pin	1
6	88-1501-89-00	Groove Pin	1

Focus Adjustment Ring Assembly

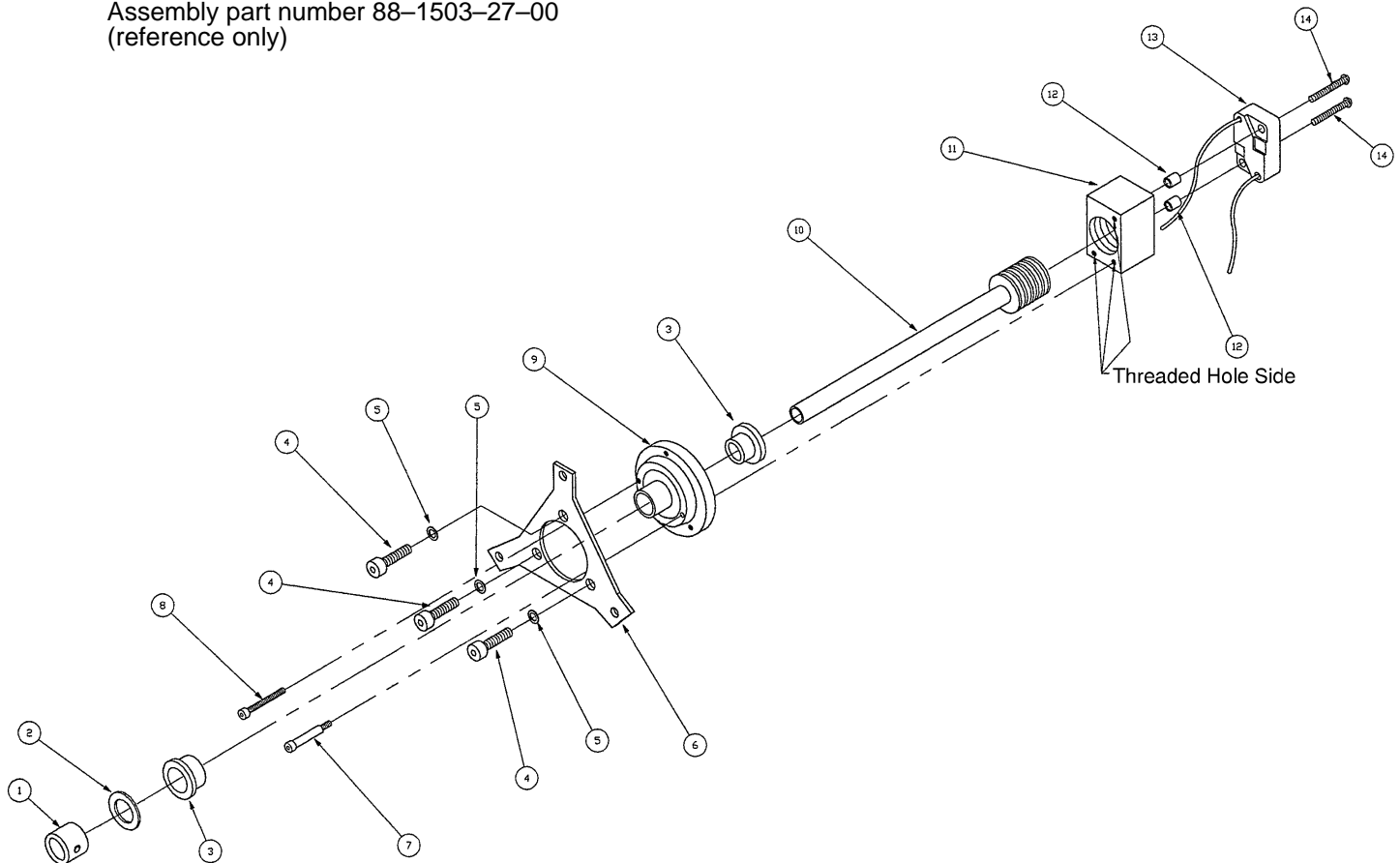
Assembly part number
88-1504-13-00 (reference only)



Item	Part No.	Part Name	Qty.
1	88-1504-22-00	Plastic Ring	1
2	88-1500-62-00	Inner Housing	1
3	88-1500-39-00	Hex Nut	3
4	88-1501-48-00	Flat Washer	4
5	88-1501-39-00	Stud	3
6	88-1500-70-00	Round Hd. Screw	2
7	88-0050-03-00	Ring Terminal	1
8	88-1500-55-00	Lock Washer	4
9	88-1500-95-00	Spacer	3
10	(page 20)	Light Focus Assembly	1
11	88-1500-94-00	Thermal Shield	1
12	88-1501-30-00	Ground Wire	5.83'
13	88-1501-38-00	Spacer	3
14	88-1502-94-00	Ground Tape	2"
15	88-1501-99-00	Pem Fastener	3

88-1503-00-00 Focus Assembly

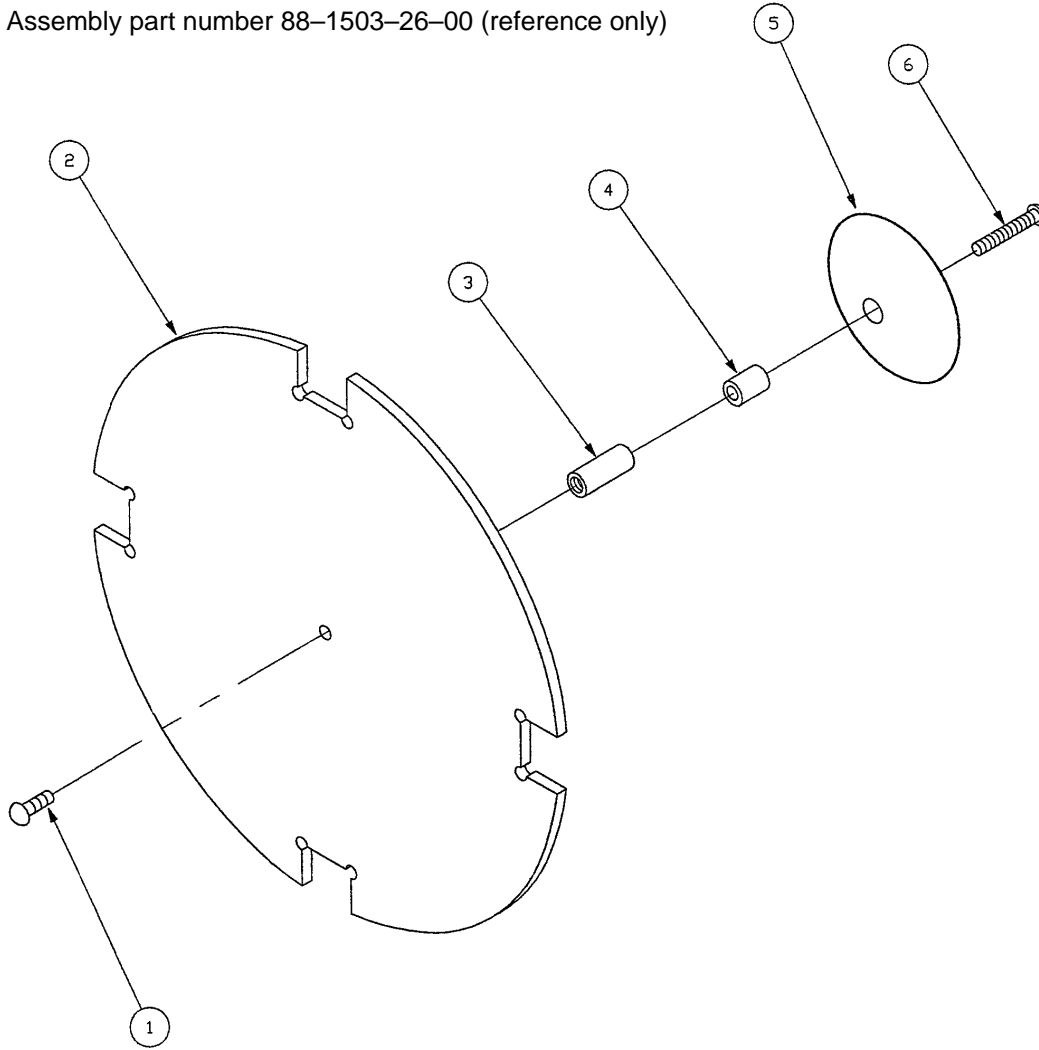
Assembly part number 88-1503-27-00
(reference only)



Item	Part No.	Part Name	Qty.
1	88-1500-20-00	Set Screw Collar	1
2	88-0831-96-00	Belleville Spring	1
3	88-0021-00-00	Flange Bushing	2
4	88-1500-37-00	Hex Hd. Cap Screw	3
5	88-1500-55-00	Int. Tooth Lock Washer	3
6	88-1501-94-00	Bulb Mounting Plate	1
7	88-1502-53-00	Screw	1
8	88-1501-42-00	Hex Socket Screw	1
9	88-1500-61-00	Focusing Hub	1
10	88-1501-28-00	Focus Adj. Screw Ass'y	1
11	88-1500-72-00	Socket Mtg. Block	1
12	88-1501-68-00	Spacer	1
13	88-1501-08-00	Lamp Socket	1
14	88-1500-41-00	Phillips Hd. Screw	2

Lens Assembly

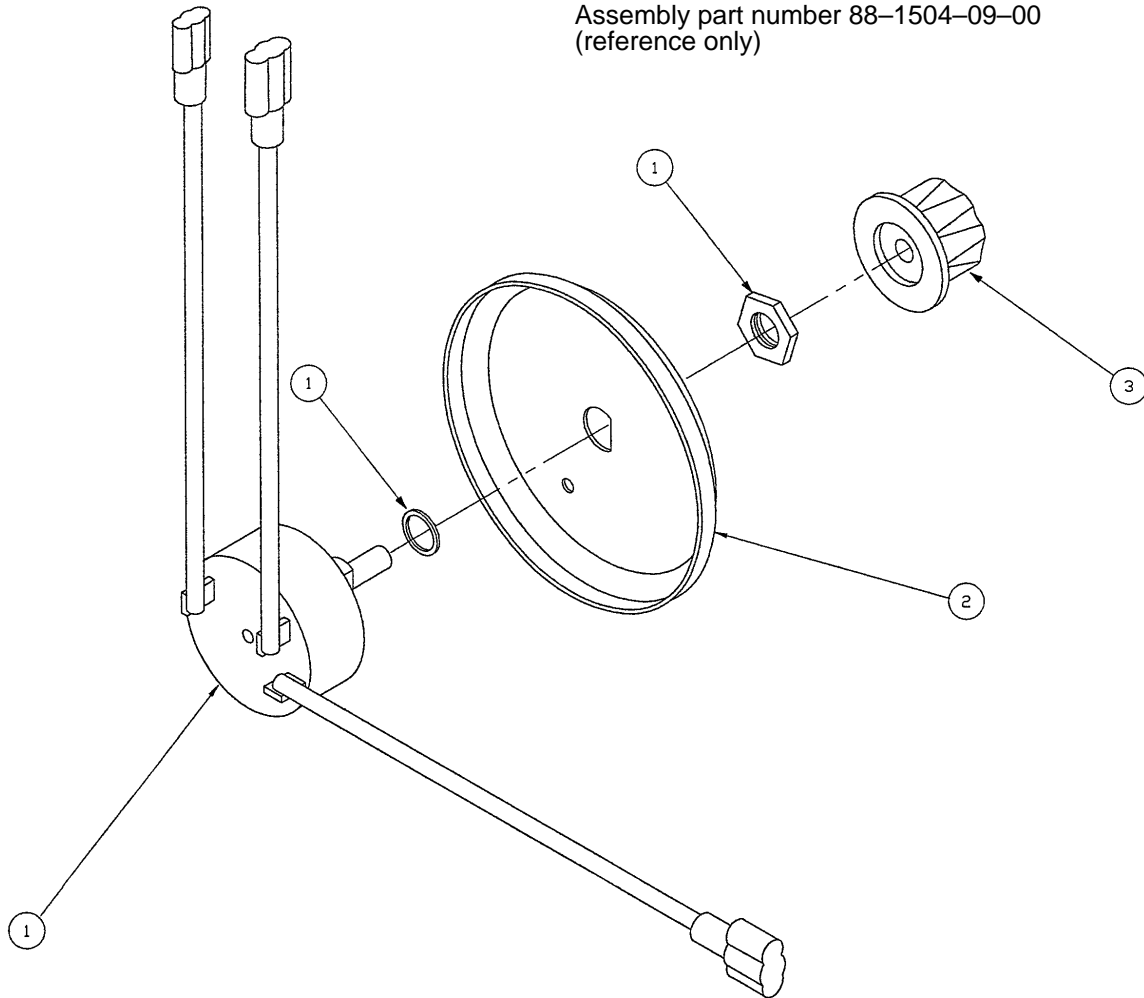
Assembly part number 88-1503-26-00 (reference only)



Item	Part No.	Part Name	Qty.
1	88-1500-22-00	Pan Hd. Screw	1
2	88-1502-86-00	Lens	1
3	88-1501-79-00	Spacer	1
4	88-1501-38-00	Spacer	1
5	88-1500-78-00	Front Shield	1
6	88-1501-40-00	Round Hd. Screw	1

Switch Cover Assembly

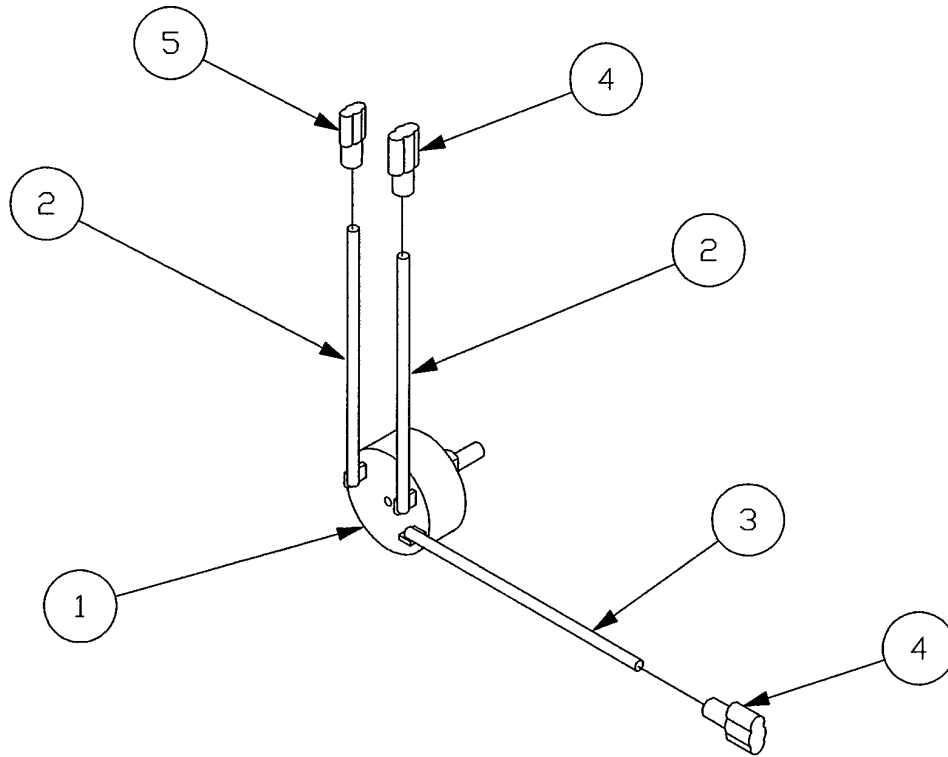
Assembly part number 88-1504-09-00
(reference only)



Item	Part No.	Part Name	Qty.
1	(page 23)	Rotary Switch Assembly	1
2	88-1504-27-00	Switch Hub Cover	1
3	88-1501-14-00	Focus Intensity Knob	1

88-1502-96-00 Rotary Switch Assembly

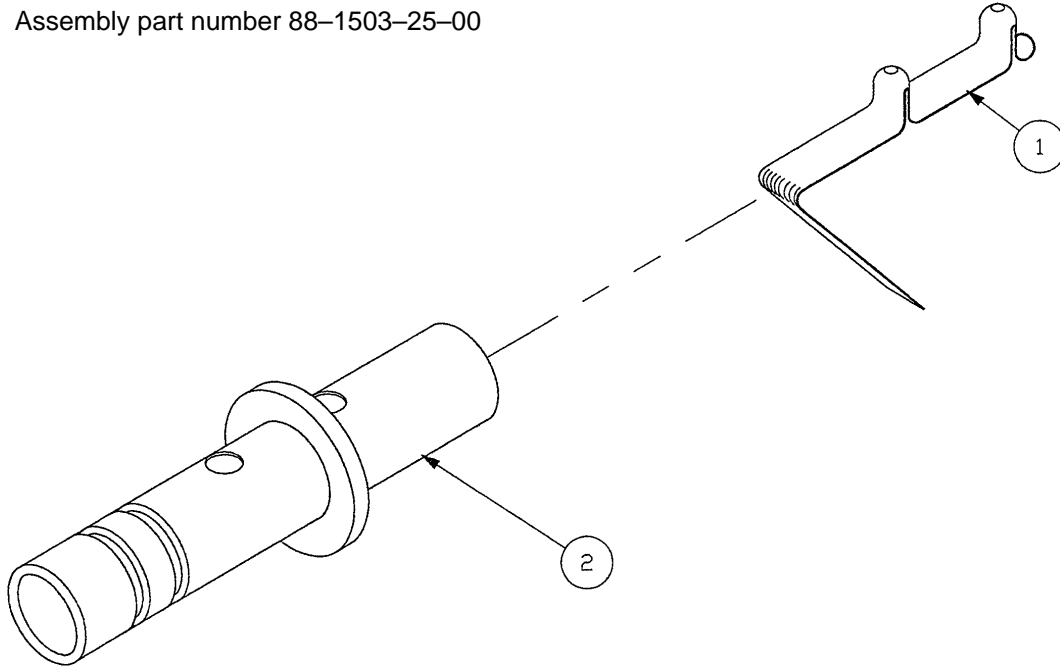
Assembly part number 88-1500-97-00 (reference only)



Item	Part No.	Part Name	Qty.
1	88-1500-51-00	3-Position Rotary Switch	1
2	88-1500-29-00	Red Hook Up Wire	3"
3	88-1501-17-00	White Hook Up Wire	1.5"
4	88-1500-26-00	Male Connector	2
5	88-1500-27-00	Female Connector	1

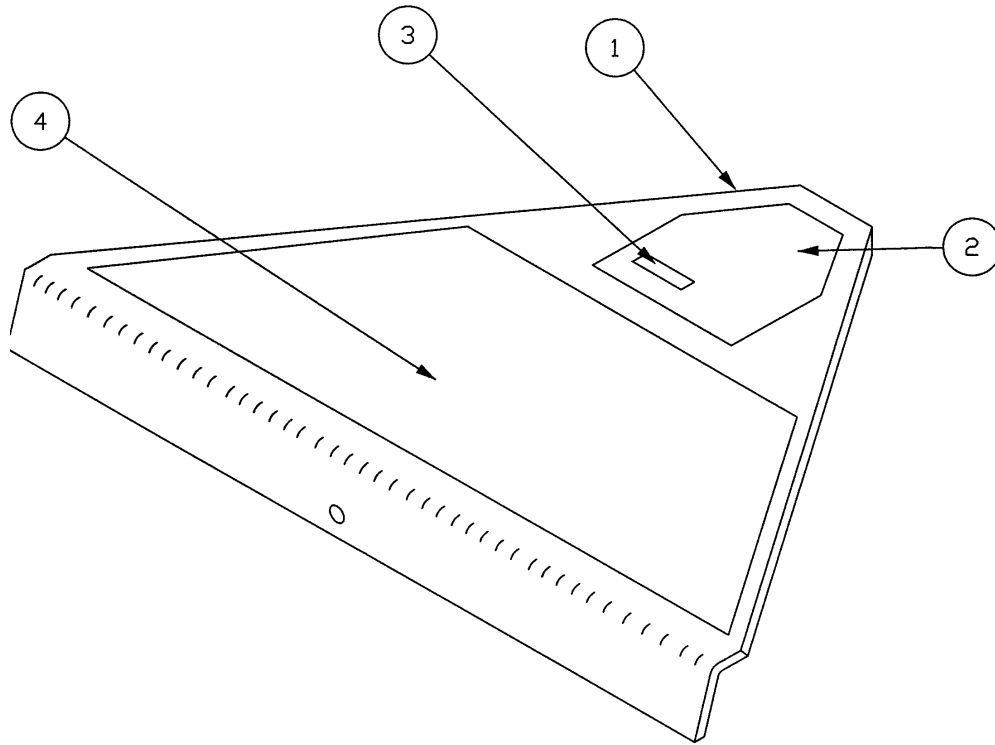
88-1503-25-00 Handle Assembly

Assembly part number 88-1503-25-00



Item	Part No.	Part Name	Qty.
1	88-1501-69-00	Snap Button Clip	1
2	88-1501-13-00	Light Handle	1

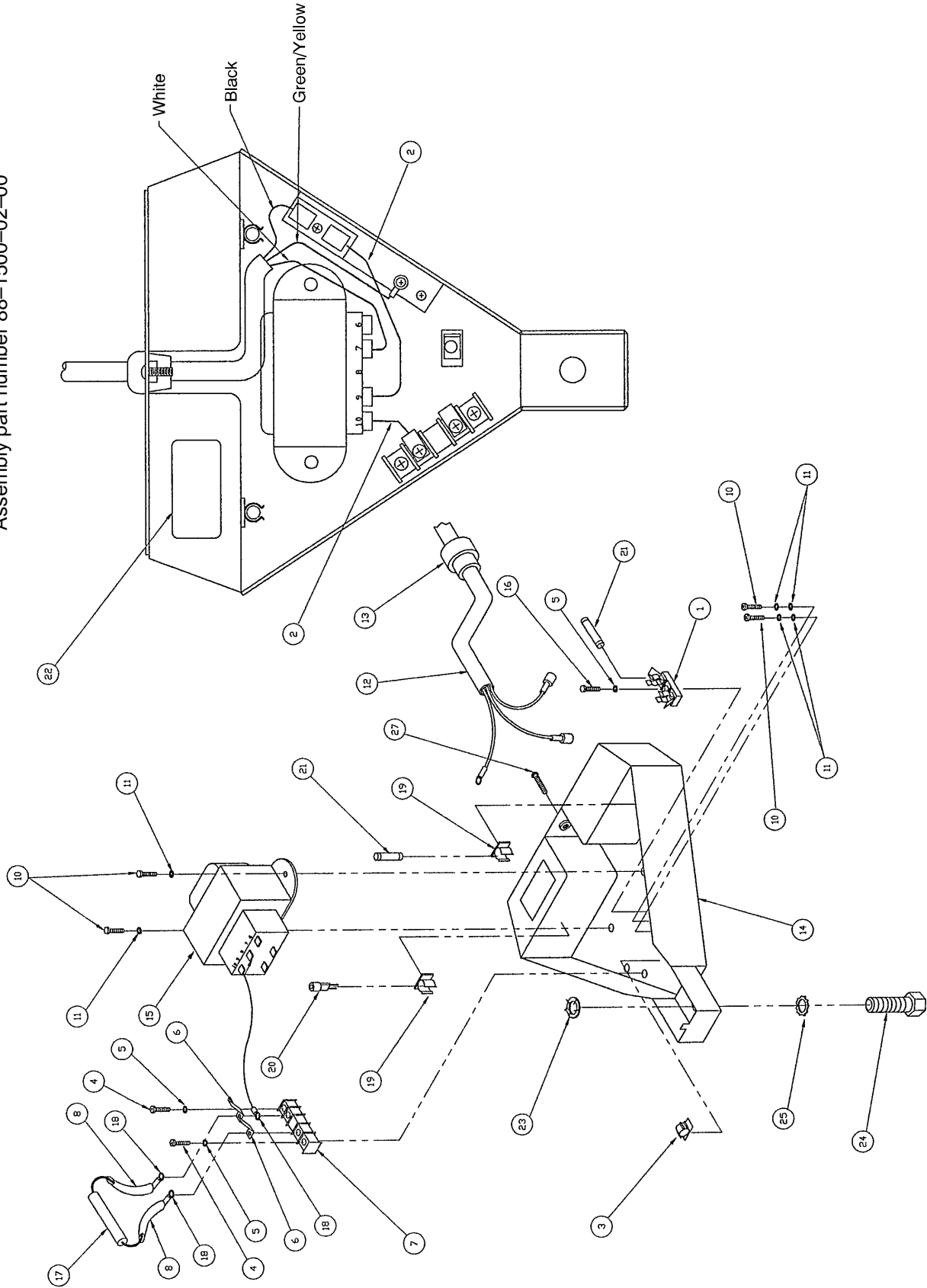
88-1504-04-00 Floor Light Base Cover Assembly



Item	Part No.	Part Name	Qty.
1	88-1504-06-00	Counterweight Cover	1
2	88-1500-08-00	Light Serial No. Label	1
3	88-0084-07-00	Numerical Serial No. Label	1
4	1502-1-4	Caution Label	1

Floor Light Counterweight Assembly

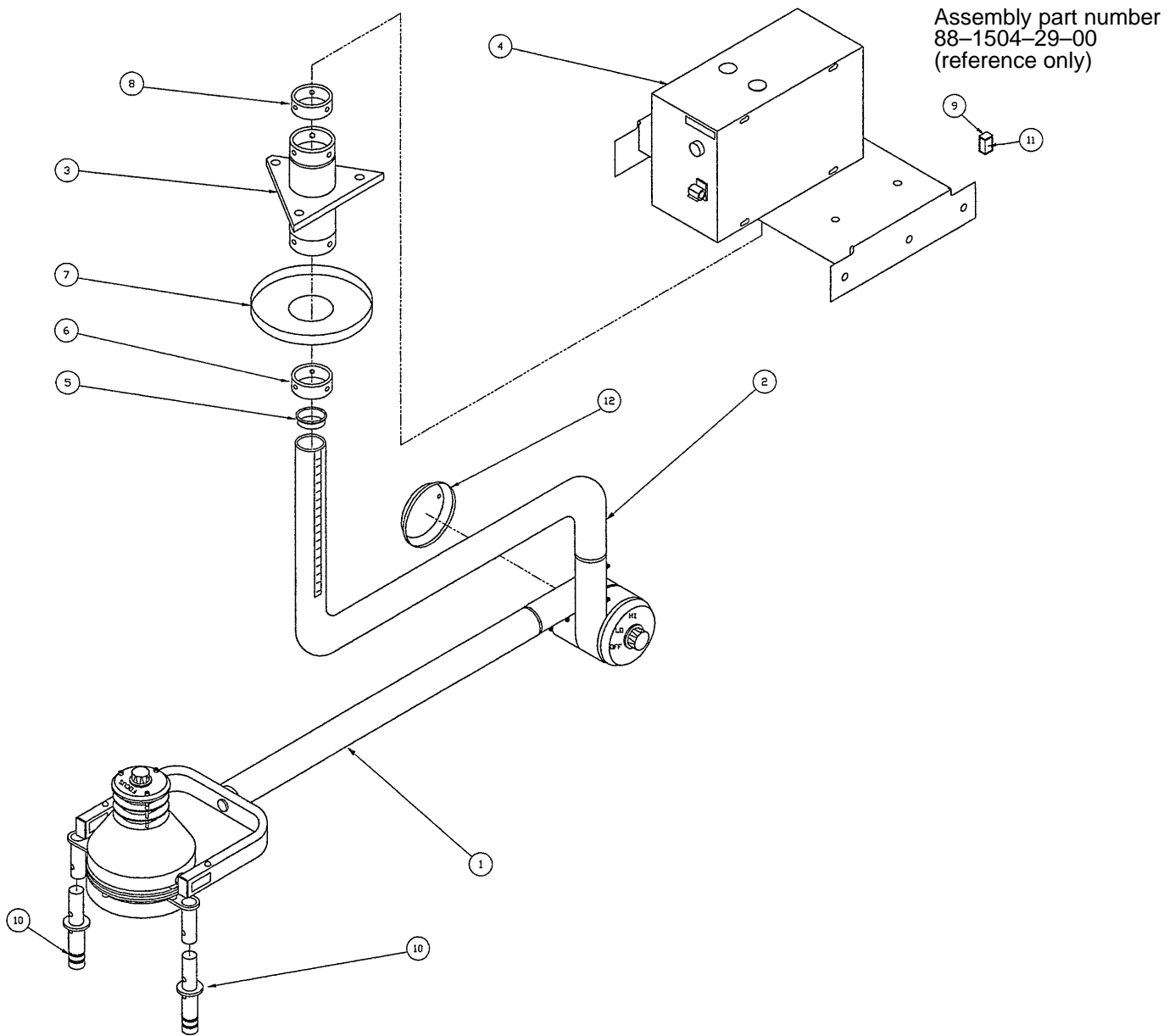
Assembly part number 88-1500-02-00



Floor Light Counterweight Assembly

Item	Part No.	Part Name	Qty.
1	59-154	Fuse Block	1
2	88-1500-29-00	Red Hook-Up Wire	7"
3	88-1500-11-00	Wire Anchor Clip	1
4	88-1500-70-00	Phillips Hd. Screw	2
5	88-1500-55-00	Int. Tooth Lock Washer	3
6	88-1501-03-00	Tab	2
7	88-1500-96-00	Terminal Strip	1
8	88-1501-29-00	Insulation Sleeve	3"
10	88-1501-27-00	Phillips Hd. Screw	4
11	88-1500-56-00	Int. Tooth Lock Washer	6
12	88-3979-26-00	Power Cord	1
13	88-1500-14-00	Strain Relief	1
14	88-1500-13-00	Counterweight	1
15	88-1501-05-00	Transformer	1
16	88-1500-22-00	Pan Hd. Screw	1
17	88-1500-48-00	Resistor	1
18	88-0050-03-00	Ring Terminal	3
19	88-0162-00-00	Clip	2
20	88-1500-45-00	Exam Light Bulb	1
21	1502-1-3	1.25 Amp. Slo-Blo Fuse	2
22	88-1502-85-00	Cntrwt. Serial No. Label	1
23	88-1501-26-00	Push Nut	1
24	88-1501-25-00	Hex Hd. Cap Screw	1
25	88-1500-58-00	Ext. Tooth Lock Washer	1
27	88-1500-57-00	Phillips Hd. Screw	1

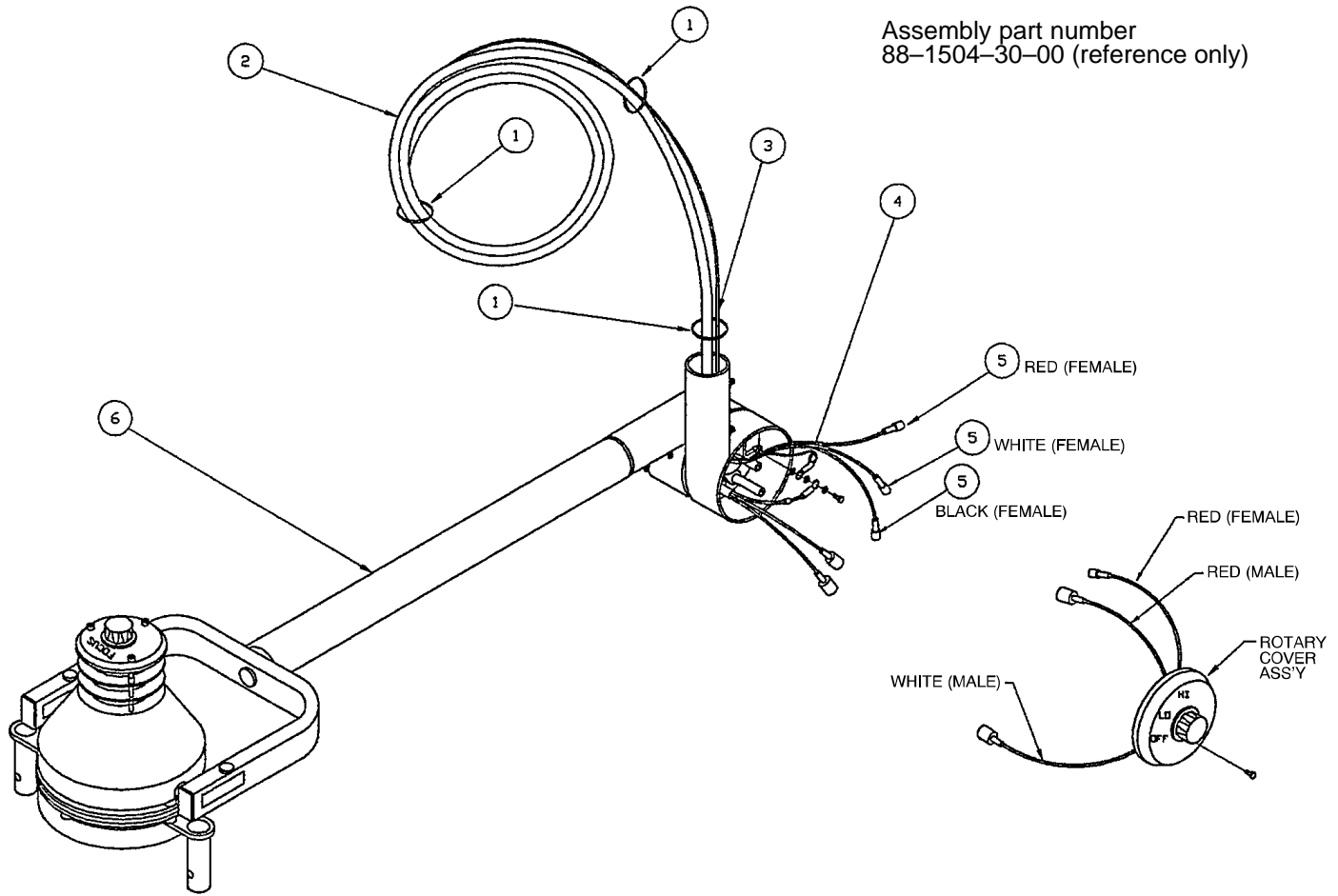
Ceiling Light Final Assembly



Item	Part No.	Part Name	Qty.
1	(page 29)	Head/Arm Ass'y, w/Cable	1
2	(page 34)	Arm Assembly	1
3	(page 35)	Mount/Bushing Assembly	1
4	(page 38 & 39)	Junction Box Assembly	1
5	88-1502-13-00	Tube End Bushing	1
6	(page 40)	Shroud Collar Assembly	1
7	88-1504-32-00	Ceiling Shroud	1
8	(page 41)	Set Collar Assembly	1
9	88-1500-45-00	Bulb	1
10	(page 24)	Handle Assembly	2
11	88-1503-48-00	Bulb Label	1
12	88-1504-05-00	Hub Cover	1

Ceiling Light Head/Arm Assembly, with Cable

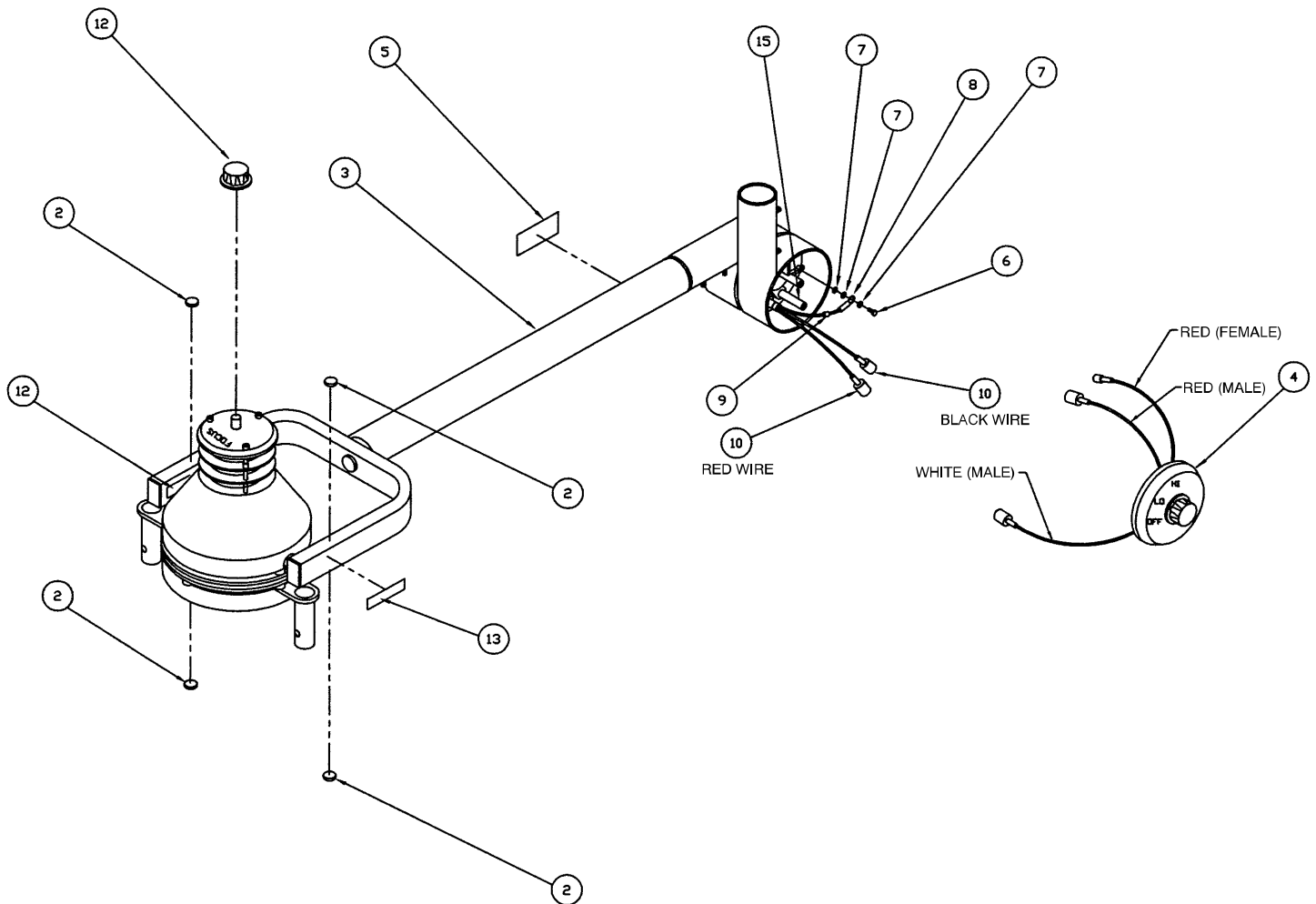
Assembly part number
88-1504-30-00 (reference only)



Item	Part No.	Part Name	Qty.
1	88-1502-56-00	Cable Tie	As Req'd
2	88-1502-90-00	Cable	10 Ft.
3	88-1501-30-00	Ground Wire	10 Ft.
4	88-0050-03-00	Ring Terminal	1
5	88-1500-27-00	Female Coupler	3
6	(page 30)	Rotary Head/Arm Ass'y	1

Ceiling Light Rotary Head/Arm Assembly

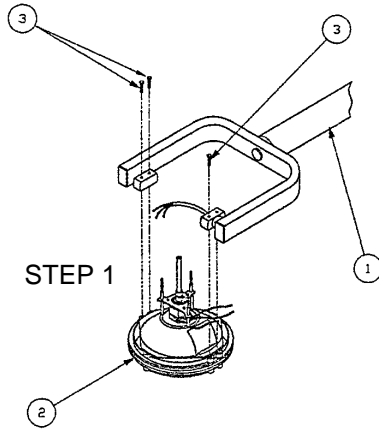
Assembly part number
88-1504-34-00 (reference only)



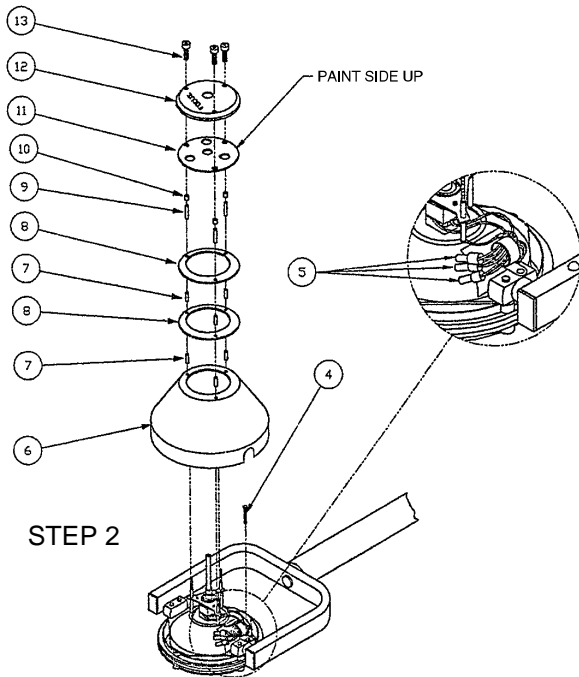
Item	Part No.	Part Name	Qty.
1	88-1501-14-00	Knob	1
2	88-1500-30-00	Clear Button Bumper	4
3	(page 31)	Head/Arm Assembly	1
4	(page 22)	Switch Cover Assembly	1
5	88-0084-06-00	Adel Label	1
6	88-1500-70-00	Phillips Hd. Screw	1
7	88-1500-55-00	Star Lock Washer	3
8	88-0050-03-00	Ring Terminal	1
9	88-1502-94-00	Green Ground Tape	1"
10	88-1500-26-00	Male Connector	2
11	88-1502-56-00	Cable Tie	1
12	88-3979-44-00	Caution Label	1
13	1502-1-5	Burn Caution Label	1
15	88-1502-05-00	Standoff	1

Ceiling Light Head Arm Assembly

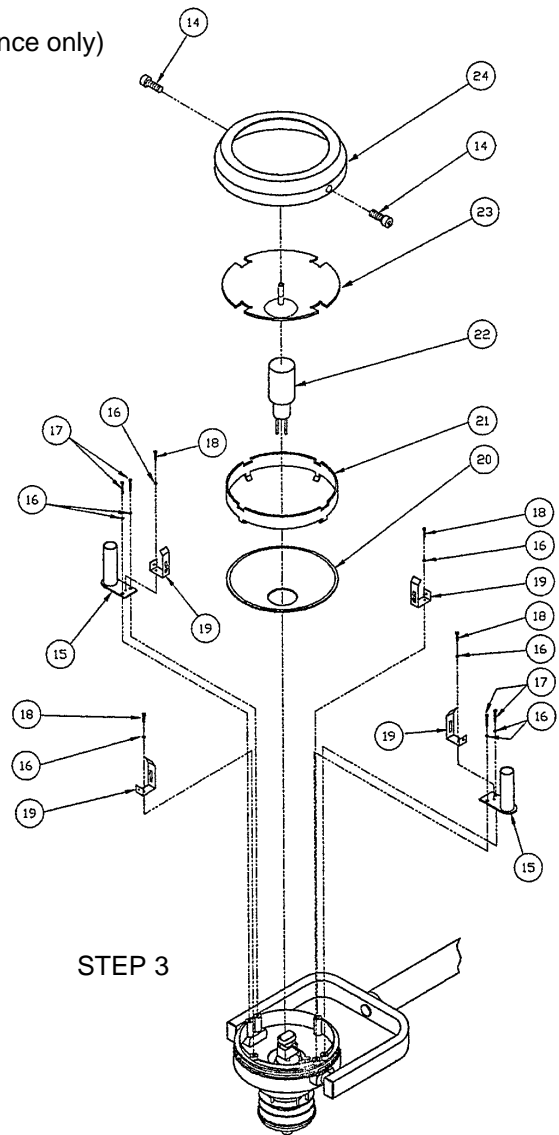
Assembly part number
88-1504-35-00 (reference only)



STEP 1



STEP 2

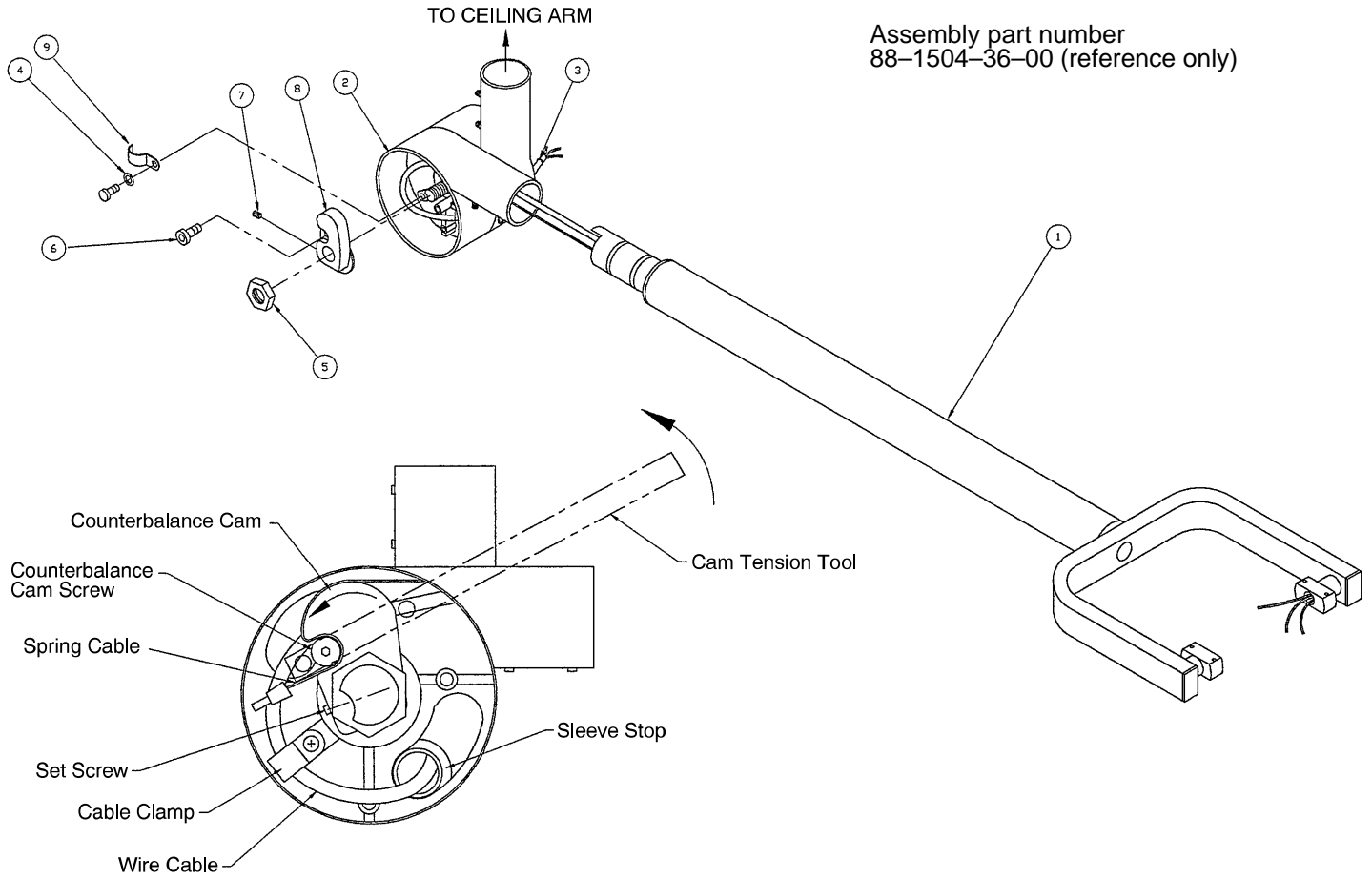


STEP 3

Item	Part No.	Part Name	Qty.	Item	Part No.	Part Name	Qty.
1	(page 32)	Light Arm Assembly	1	13	88-1500-89-00	Plastic Screw	3
2	(page 19)	Focus Adj. Ring Ass'y	1	14	88-1500-40-00	Thumb Screw Knob	2
3	88-1501-40-00	Phillips Hd. Screw	3	15	88-1504-18-00	Handle Mtg. Brkt.	2
4	88-1501-84-00	Phillips Hd. Screw	1	16	88-1500-55-00	Int. Tooth Lock Washer	8
5	88-1501-92-00	Closed End Connector	3	17	88-1500-37-00	Hex. Hd. Cap Screw	4
6	88-1504-14-00	Outer Housing	1	18	88-1500-70-00	Round Hd. Screw	4
7	88-1501-68-00	Standoff	6	19	88-1502-80-00	Lens Clip	4
8	88-1504-15-00	Vent Ring	2	20	88-1500-98-00	Coated Mirror	1
9	88-1501-44-00	Round Threaded Spacer	3	21	88-1501-63-00	Front Heat Shield	1
10	88-1501-60-00	Spacer	3	22	88-1500-45-00	Exam Light Bulb	1
11	88-1504-16-00	Cap Baffle	1	23	(page 21)	Lens Assembly	1
12	88-1504-25-00	Focus Cover	1	24	88-1504-19-00	Lens Mt. Shroud	1

Ceiling Light Arm Assembly

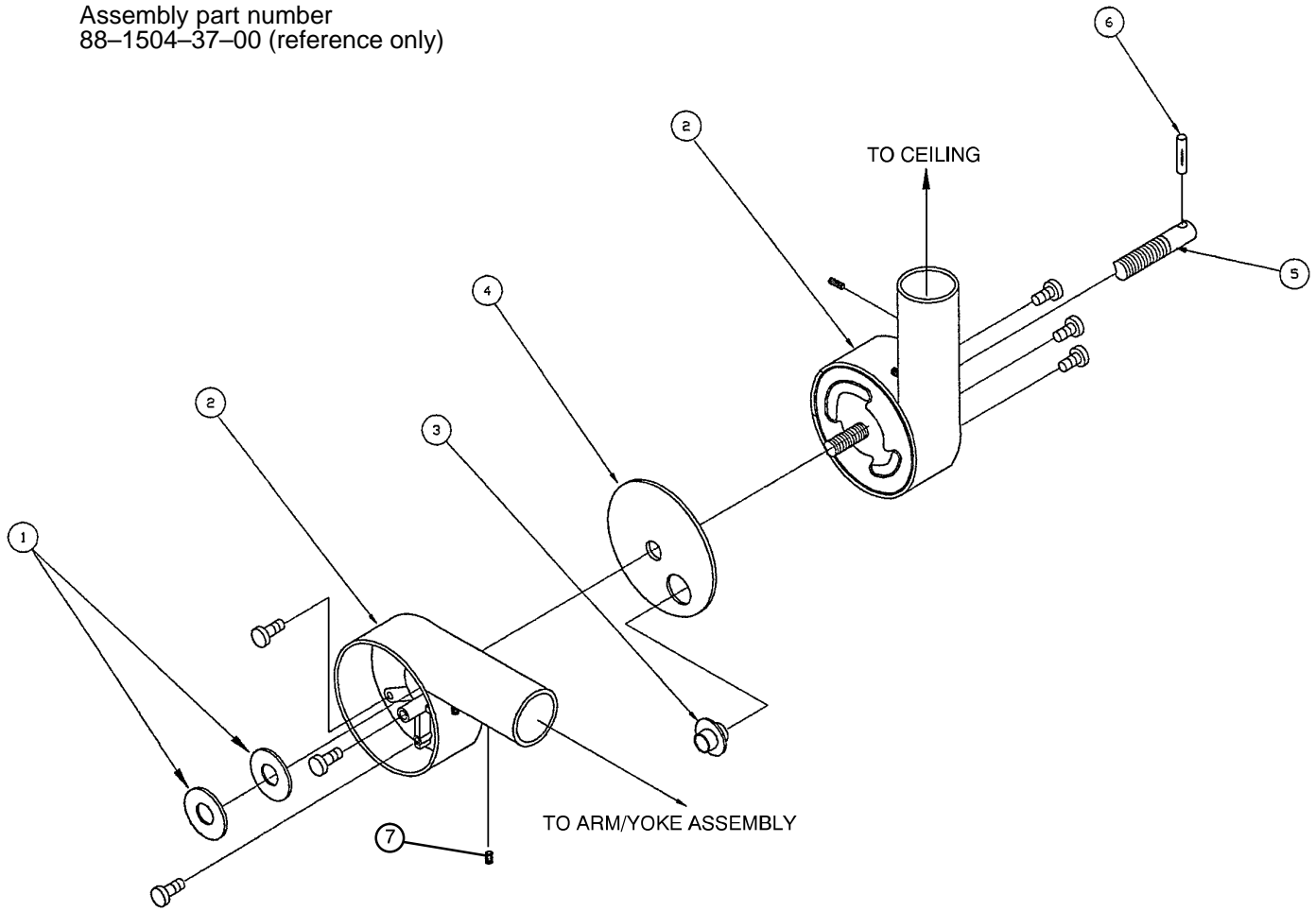
Assembly part number
88-1504-36-00 (reference only)



Item	Part No.	Part Name	Qty.
1	(page 16)	Yoke Assembly	1
2	(page 33)	Hub Assembly	1
3	88-1502-56-00	Cable Tie	1
4	88-1500-55-00	Lock Washer	1
5	88-1501-47-00	Hex Jam Nut	1
6	88-1501-78-00	Button Hd. Screw	1
7	88-0022-16-00	Set Screw	1
8	88-1500-67-00	Counterbalance Cam	1
9	88-0046-00-00	Cable Clamp	1

Ceiling Light Hub Assembly

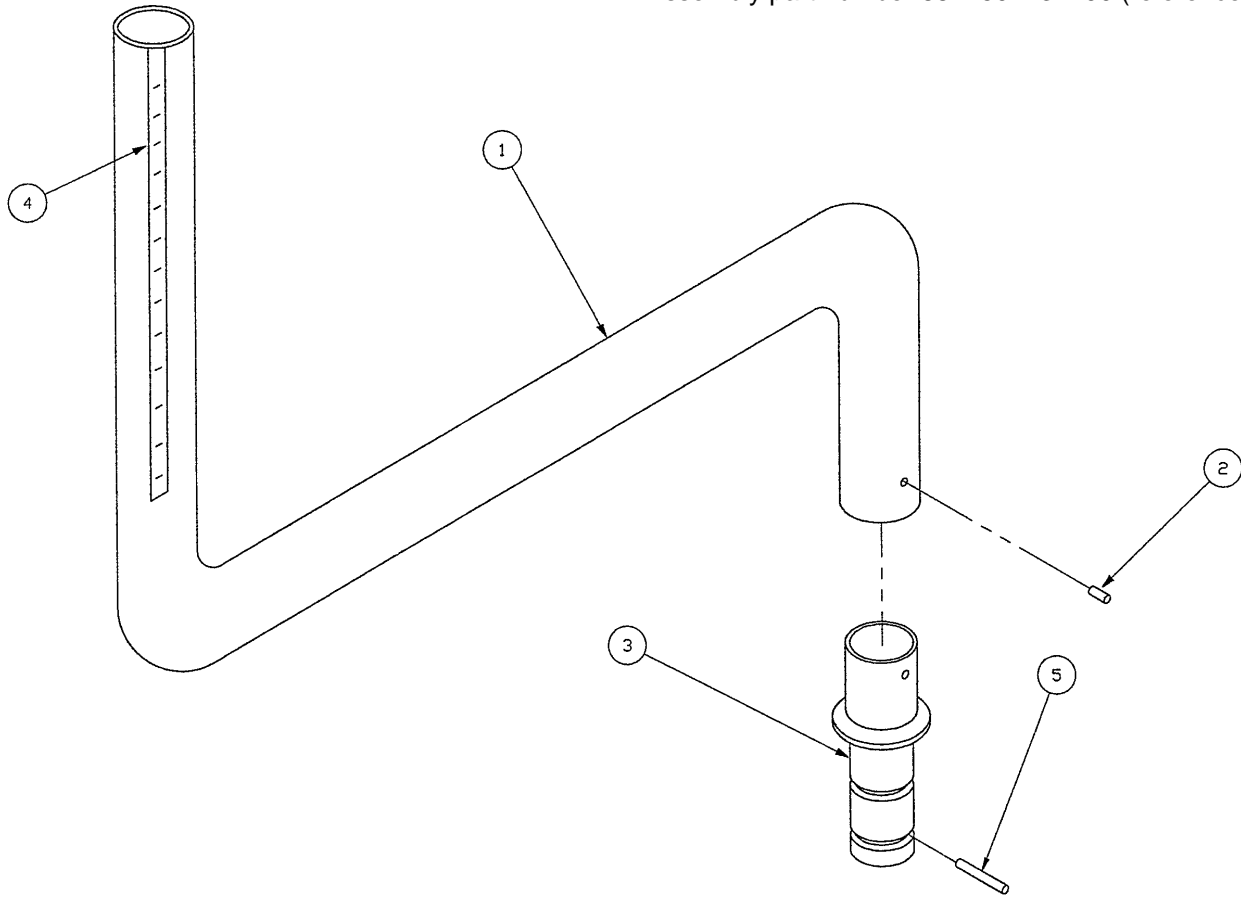
Assembly part number
88-1504-37-00 (reference only)



Item	Part No.	Part Name	Qty.
1	88-1501-37-00	Cam Thrust Washer	2
2	88-1504-23-00	Hub	2
3	88-1503-36-00	Sleeve Stop	1
4	88-1501-36-00	Hub Thrust Washer	1
5	88-1502-52-00	Hub Pivot Pin	1
6	88-1501-89-00	Groove Pin	1
7	88-0022-39-00	Set Screw	1

Ceiling Light Arm Assembly

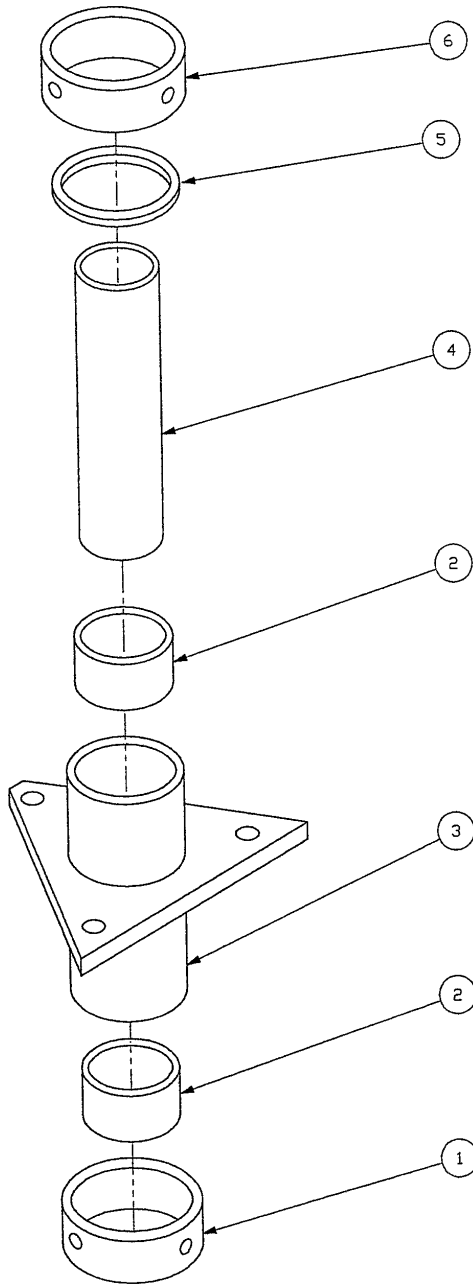
Assembly part number 88-1504-31-00 (reference only)



Item	Part No.	Part Name	Qty.
1	88-1504-33-00	Ceiling Light Arm	1
2	88-1501-90-00	Groove Pin	1
3	88-1502-55-00	Arm End	1
4	88-1502-18-00	Pipe Cut Decal	1
5	88-1502-25-00	Stop Pin	1

Mount/Bushing Assembly

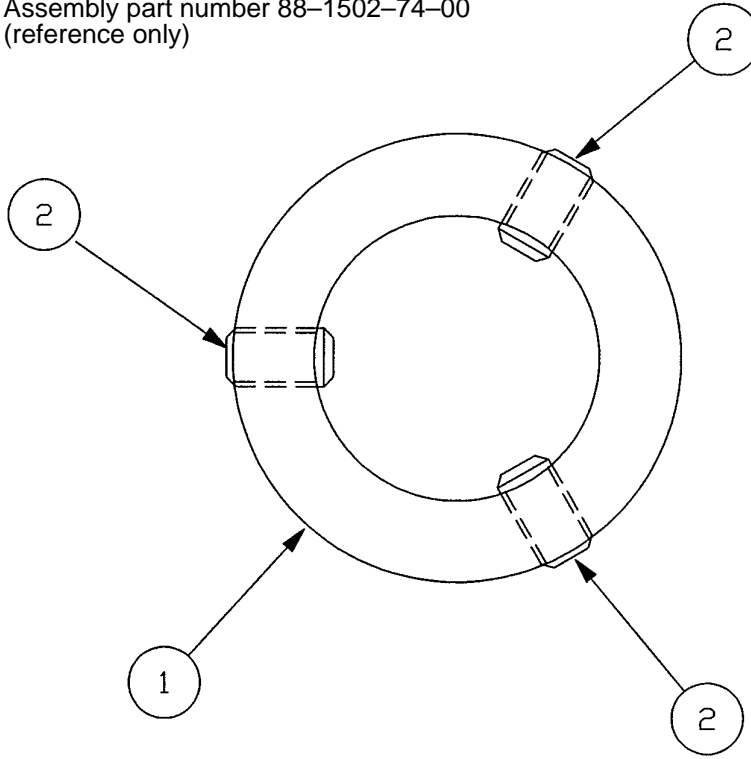
Assembly part number 88-1502-31-00 (reference only)



Item	Part No.	Part Name	Qty.
1	(page 36)	Set Collar Assembly	1
2	88-1502-30-00	Bushing	2
3	88-1502-05-00	Ceiling Mount Weldment	1
4	88-1502-04-00	Bearing Pivot Sleeve	1
5	88-1502-10-00	Thrust Washer	1
6	(page 37)	Set Collar Assembly	1

Upper Set Collar Assembly

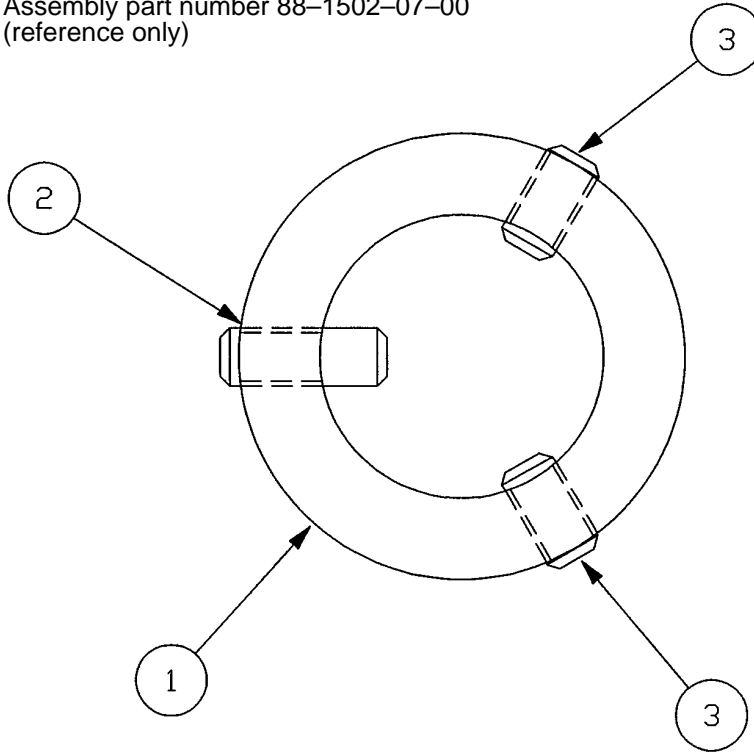
Assembly part number 88-1502-74-00
(reference only)



Item	Part No.	Part Name	Qty.
1	88-1502-28-00	Collar	1
2	88-1502-29-00	Set Screw	3

Lower Set Collar Assembly

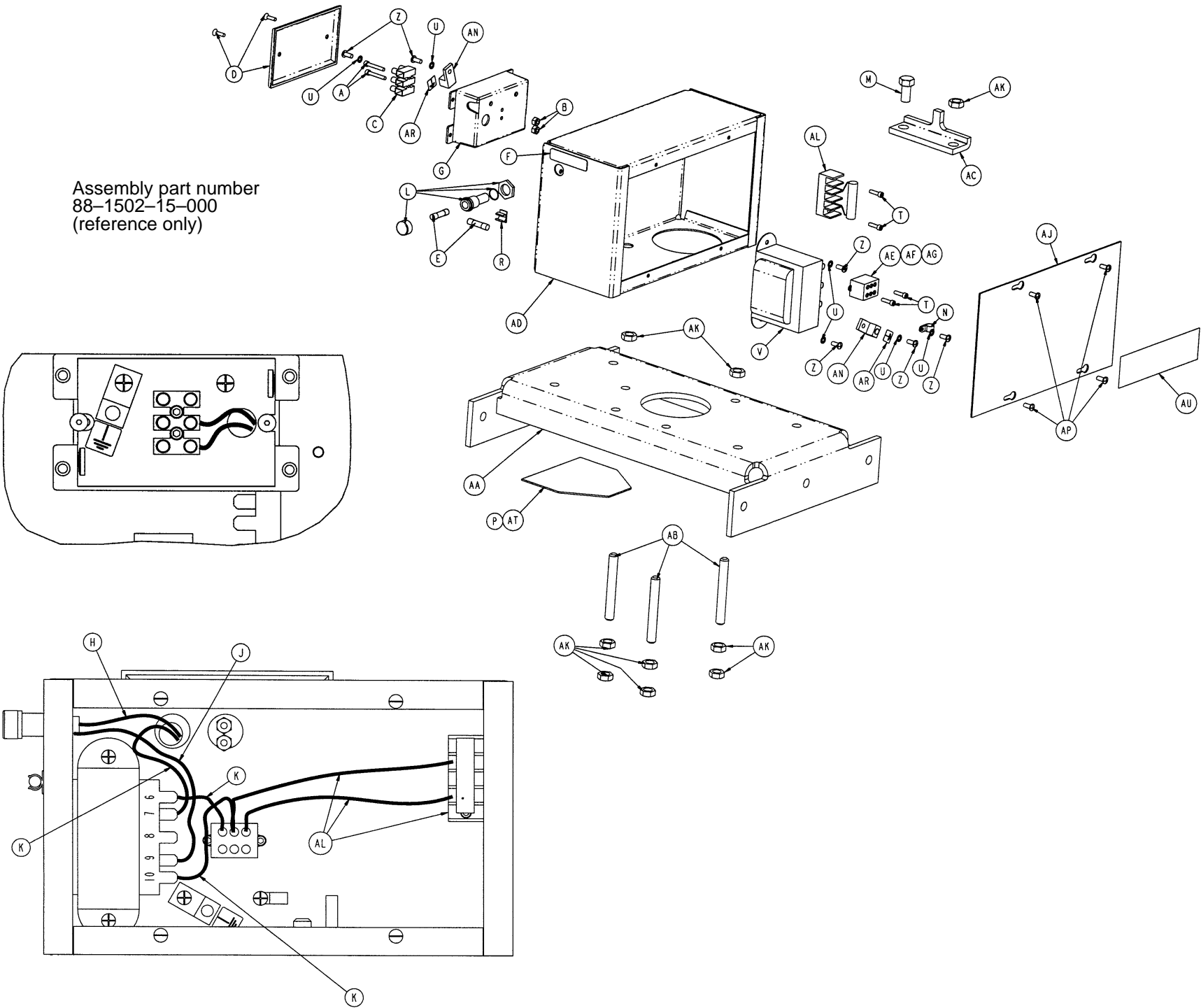
Assembly part number 88-1502-07-00
(reference only)



Item	Part No.	Part Name	Qty.
1	88-1502-28-00	Collar	1
2	88-1502-24-00	Set Screw	1
3	88-1502-29-00	Set Screw	2

Junction Box Assembly

Assembly part number
88-1502-15-000
(reference only)

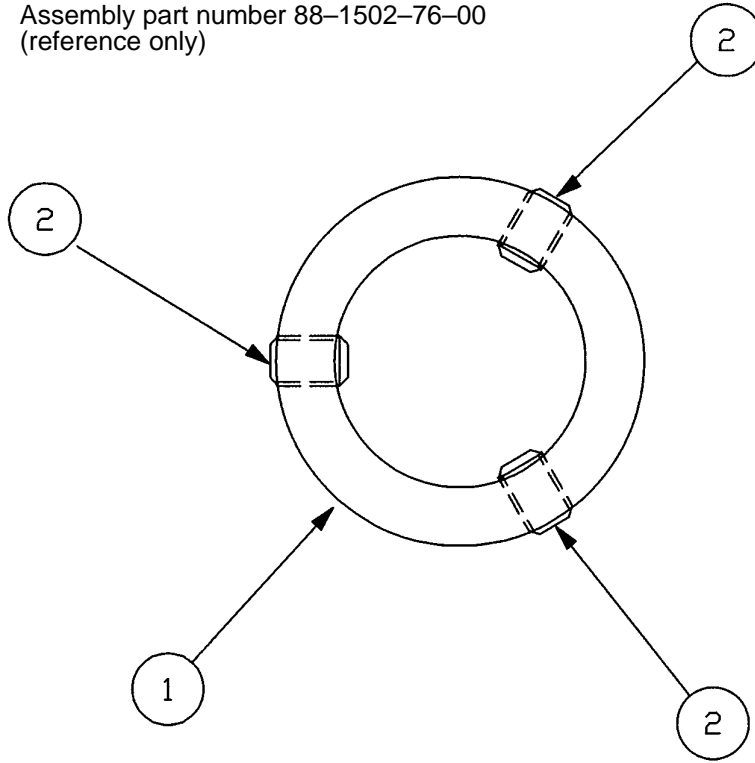


Junction Box Assembly

Item	Part No.	Part Name	Qty.
A	4-150	Soc. Hd. Cap Screw	2
B	16-23	Nylock Nut	2
C	59-11	Terminal Block	1
D	59-118	Switch Box Cover	1
E	1502-1-3	1.25 Amp Slo-Blo Fuse	2
F	1502-0-5	Fuse Label	1
G	1502-0-6	Switch Box	1
H	1502-80-1	Fuse to Block Cable	1
J	1502-80-2	Fuse to Transformer Cable	1
K	1502-80-3	Transformer to Block Cable	3
L	2020-2-664	Fuse Holder	1
M	88-0023-15-00	Cap Screw	1
N	88-0046-00-00	Cable Clamp	1
P	88-0084-07-00	Numerical Serial Number Label	1
R	88-0162-00-00	U-Clip	1
T	88-1500-37-00	Soc. Hd. Cap Screw	4
U	88-1500-56-00	Int. Tooth Lock Washer	6
V	88-1501-05-00	Transformer	1
Z	88-1501-27-00	Pan Hd. Machine Screw	6
AA	88-1502-06-00	Ceiling Mount Bracket	1
AB	88-1502-11-00	Stud	3
AC	88-1502-12-00	Arm Rotation Stop	1
AD	88-1502-14-00	Junction Box	1
AE	88-1502-19-00	3 Terminal Block Clip	1
AF	88-1502-21-00	Block End	1
AG	88-1502-22-00	Terminal Block	3
AJ	88-1502-32-00	J-Box Cover	1
AK	88-1502-33-00	Hex Nut	9
AL	88-1502-34-00	Terminal/Resistor Ass'y	1
AN	88-1502-40-00	Terminal Ground Lug	2
AP	88-1502-69-00	Slotted Pan Hd. Tapping Screw	4
AR	36-46	Ground Label	2
AT	88-3979-42-00	Serial Number Label	1
AU	1550-90-13	Caution Label	1

Lower Shroud Collar Assembly

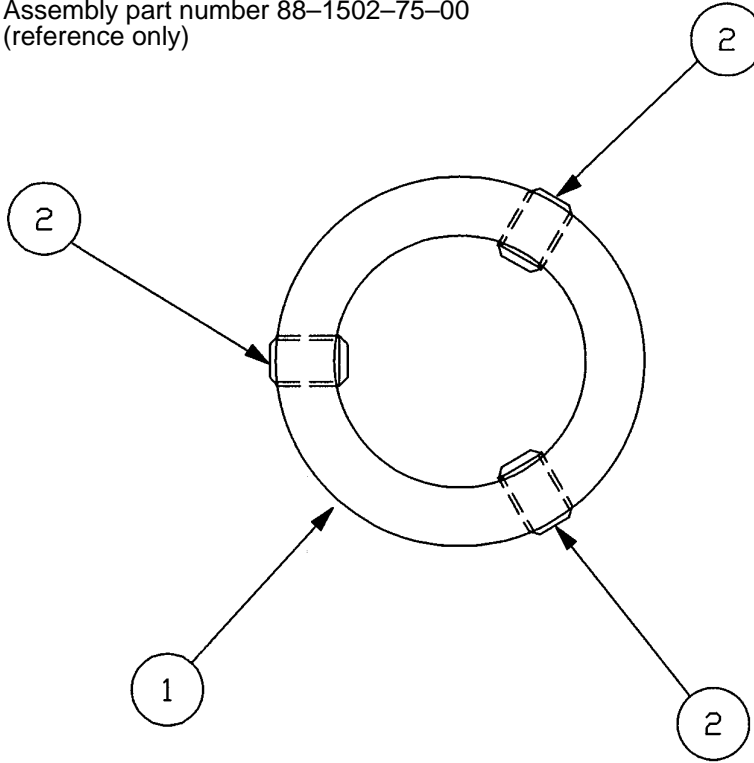
Assembly part number 88-1502-76-00
(reference only)



Item	Part No.	Part Name	Qty.
1	88-1502-09-00	Shroud Collar	1
2	21-27	Set Screw	3

Upper Set Collar Assembly

Assembly part number 88-1502-75-00
(reference only)



Item	Part No.	Part Name	Qty.
1	88-1504-39-00	Collar	1
2	21-27	Set Screw	3

Replacement Parts List

<u>PART NAME</u>	<u>PART NUMBER</u>
Bulb, 70 Watt, 28 Volt	88-1503-58-00
Base with Casters	88-1504-02-00
Focus Stem Kit	88-1503-00-00
Fuse, 1 1/4 Amp, Slo-Blo	88-1500-32-00
Knob, Focus, Off, Hi/Low	88-1501-14-00
Lens with Deflector	88-1502-81-00
Light Handles, Pair (with Spring)	88-1501-11-00
Light Socket	88-1501-08-00
Light Socket Mount Block (Black)	88-1500-72-00
Coated Mirror	88-1500-98-00
Transformer Kit, 110V	88-1502-88-00
Transformer Kit, 220V	88-1503-01-00
Switch Rotary Kit	88-1502-96-00
Stop Sleeve Assembly (with Steel Sleeve)	88-1503-42-00

Warranty

Limited Warranty:

Stryker Medical warrants to the original purchaser that its products should be free from defects in material and workmanship for a period of one (1) year after date of delivery. Stryker Medical's obligation under this warranty is expressly limited to supplying replacement parts and labor for, or replacing, at its option, any product which is, in the sole discretion of Stryker Medical, found to be defective. Stryker Medical warrants to the original purchaser that the frame and welds on its beds will be free from structural defects for as long as the original purchaser owns the bed. If requested by Stryker Medical, products or parts for which a warranty claim is made shall be returned prepaid to Stryker Medical's factory. Any improper use or any alteration or repair by others in such manner as in Stryker Medical's judgement affects the product materially and adversely shall void this warranty. No employee or representative of Stryker is authorized to change this warranty in any way.

This statement constitutes Stryker Medical's entire warranty with respect to the aforesaid equipment. STRYKER MEDICAL MAKES NO OTHER WARRANTY OR REPRESENTATION, EITHER EXPRESSED OR IMPLIED, EXCEPT AS SET FORTH HEREIN. THERE IS NO WARRANTY OF MERCHANTABILITY AND THERE ARE NO WARRANTIES OF FITNESS FOR ANY PARTICULAR PURPOSE. IN NO EVENT SHALL STRYKER MEDICAL BE LIABLE HEREUNDER FOR INCIDENTAL OR CONSEQUENTIAL DAMAGES ARISING FROM OR IN ANY MANNER RELATED TO SALES OR USE OF ANY SUCH EQUIPMENT.

To Obtain Parts and Service:

Stryker Medical products are supported by a nationwide network of dedicated Stryker Medical Field Service Representatives. These representatives are factory trained, available locally, and carry a substantial spare parts inventory to minimize repair time. Simply call your local representative, or call Stryker Medical Customer Service at (800) 327-0770.

Supplemental Warranty Coverage:

Stryker Medical has developed a comprehensive program of extended warranty options designed to keep your equipment operating at peak performance at the same time it eliminates unexpected costs. We recommend that these programs be activated *before* the expiration of the new product warranty to eliminate the potential of additional equipment upgrade charges. Stryker Medical offers the following Supplemental Warranties:

Extended (Parts and Labor)

- All replacement parts (excluding mattresses and consumable items)
- Labor and travel for *all* scheduled and unscheduled calls
- Annual Preventive Maintenance Inspections and repairs
- JCAHO paperwork for preventive maintenance
- Priority Emergency Service

Standard (Labor Only):

- Labor and travel for *all* scheduled and unscheduled calls
- Annual Preventive Maintenance Inspections and repairs
- JCAHO paperwork for preventive maintenance
- Priority Emergency Service

Basic (Parts Only):

- All replacement parts (excluding mattresses and consumable items)
- Priority Emergency Service

Please call your local representative, or call (800) 327-0770 for further information

Warranty

Return Authorization:

Merchandise cannot be returned without approval from the Stryker Medical Customer Service Department. An authorization number will be provided which must be printed on the returned merchandise. Stryker Medical reserves the right to charge shipping and restocking fees on returned items.

SPECIAL, MODIFIED, OR DISCONTINUED ITEMS NOT SUBJECT TO RETURN.

Damaged Merchandise:

ICC Regulations require that claims for damaged merchandise must be made with the carrier within fifteen (15) days of receipt of merchandise. **DO NOT ACCEPT DAMAGED SHIPMENTS UNLESS SUCH DAMAGE IS NOTED ON THE DELIVERY RECEIPT AT THE TIME OF RECEIPT.** Upon prompt notification, Stryker Medical will file a freight claim with the appropriate carrier for damages incurred. Claim will be limited in amount to the actual replacement cost. In the event that this information is not received by Stryker Medical within the fifteen (15) day period following the delivery of the merchandise, or the damage was not noted on the delivery receipt at the time of receipt, the customer will be responsible for payment of the original invoice in full.

Claims for any short shipment must be made within thirty (30) days of invoice.

International Warranty Clause:

This warranty reflects U.S. domestic policy. Warranty outside the U.S. may vary by country. Please contact your local Stryker Medical representative for additional information.



European Representative

Stryker France
BP 50040-95946 Roissy Ch. de Gaulle
Cedex-France

Phone: 33148632290
Fax: 33148632175

stryker[®]
Medical

6300 Sprinkle Road, Kalamazoo, MI 49001-9799

(800) 327-0770