



# 2300 SERIES AXIAL-FLOW® COMBINES



## MORE THAN 28 YEARS OF ROTARY LEADERSHIP

When it comes to harvesting heritage, no other company comes close to matching this company's earliest roots from founders Cyrus McCormick and Jerome Increase Case. In the 1840s, the McCormick reaper and the Case thresher revolutionized the mechanical harvesting process. As a result, harvesting equipment became the cornerstone for the company.

About a century later, engineers at International Harvester began developing a single-rotor combine. In 1977, the first Axial-Flow® combine debuted as an innovative breakthrough in harvesting higher-quality grain. A decade later, the 100,000th Axial-Flow combine rolled off the assembly line as a tribute to the popular and proven performance of the single-rotor design. Today, Case IH

again advances the industry with the latest improvements to the 2300 Series Axial-Flow combine, including the new AFX rotor and direct-flow cooling package.

The timeline below highlights the Axial-Flow combine's history:

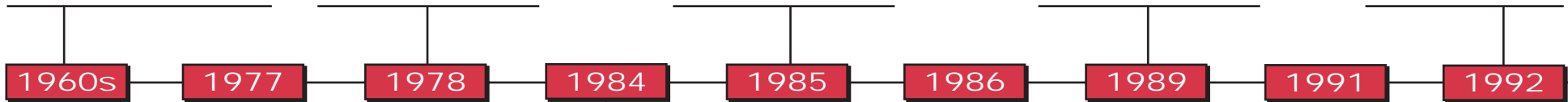
Research and testing begins on the rotary combine concept at International Harvester's facility in East Moline, Illinois. Engineers believe the simplicity of the single-rotor design is a significant advance over existing combines.

Model 1480 is introduced, with rated engine hp of 190 (142 kW).

Tenneco acquires International Harvester's agricultural equipment business and merges it with its JI Case division.

New engines add 10 hp to each of the three largest models and 21 hp to the 1620.

The Field Tracker option is offered to keep headers level on rolling terrain.



The first Axial-Flow combine is introduced. The 1400 Series' innovative rotary technology is a clear breakthrough in grain harvesting. Rated engine hp on the 1460 is 170 (127 kW).



A specialty rotor is introduced to provide superior performance in tough conditions, including tough-stemmed beans and rice.



The 1600 Series is introduced. It offers higher horsepower, increased elevator capacity, and a new optional header and feeder reverser. Capacity increases by 70 percent on models 1640 and 1660. The rated engine hp on the largest model 1680 is 225 (168 kW).

A higher capacity cleaning system is introduced for the 1680 model.



# A BOUNTIFUL HARVESTING HERITAGE



The 2100 Series is introduced. It features a new cab with improved comfort and visibility, multifunction control for more productive operation and field-installed Advanced Farming Systems (AFS).

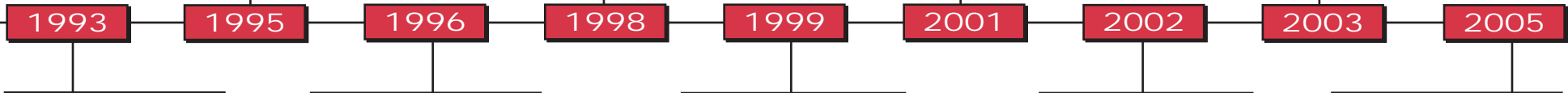


The 2300 Series is introduced, offering a new in-cab tailings monitor and automatic cab climate control. The rated engine hp on the 2388 increases to 280 (209 kW). The 100,000th Axial-Flow combine rolls off the assembly line.



Axial-Flow combines celebrate their 25th year of productivity. New headers are introduced — the 2015 pickup header and 2200 Series with a 12-row corn head.

The AFX 8010 Series is introduced. The new AFX rotor delivers increased capacity and threshing performance, while an industry-leading Power Plus drive system provides variable header and feeder speed control.



The second generation of the 1600 Series featuring a new Cross Flow fan is introduced. A higher capacity cleaning system is introduced on the 1644 and 1666 models. Rated engine hp on the model 1688 is 260 (194 kW).

Axial-Flow combines are the first in the industry to offer factory-installed AFS yield monitors with Global Positioning System (GPS) capabilities.



AFS Universal Display and Universal Display Plus monitors are factory installed.



A new AFX rotor debuts for 2388 (model year 2003) along with an efficient inline cooling system.

The 2377 Model Axial-Flow combine replaces the 2366. The 2377 offers greater productivity to the Class V combine customer.

## TABLE OF CONTENTS

---

Grain Quality .....	4-5
New AFX Rotor .....	6-7
New Features .....	8-9
AFS Precision Farming .....	10-11
Engine .....	12-13
Cutaway Poster .....	14-15
Cab .....	16-17
Controls .....	18-19
Headers .....	20-21
Case IH Systems Approach .....	22-23
Product Support .....	24-25
Specifications .....	26-27

## PROVEN PERFORMANCE EARNS A PREMIUM

---

Case IH Axial-Flow combines have proven to be a leader in grain quality. Thanks to the gentle, multiple-pass “grain-on-grain” threshing and separating system, grain handling is superior. The patented Cross-Flow™ cleaning system carefully cleans and recovers whole kernels for maximum grain savings.

Designed to harvest a variety of crops under many conditions, the **highly adaptable** Axial-Flow combine is a truly versatile “all-crop machine.” It’s also a **very simple design** with fewer moving parts than competitive models for easy maintenance.

A Case IH Axial-Flow combine continues to control crop flow through each system for optimal **matched capacity** that leads to greater productivity.



## Yellow Food-grade Corn Results

During the fall 2004 harvest, official grain receipts from a major food-grade corn processor in the Midwest show seven of the top ten combine models delivering top quality premium grain were AXIAL-FLOW Combines. The plant average for cracked and broken kernels (C&B) was 2.74% for all combine models. The AXIAL-FLOW Combines not only topped the list for grain quality, but the following models ranked in the top ten and out-performed the plant average with the following numbers:

Model	C&B
1660	2.14%
2388	2.37%
2166	2.38%
AFX8010	2.42%
2366	2.53%
2188	2.63%
1640	2.64%

## White Food-grade Corn Results

Official grain receipts for fall 2004 delivery of white corn show eight of the top ten combines were AXIAL-FLOW Combines. The plant average for C&B was 2.54% for all combine models. Once again, the AXIAL-FLOW Combines dominated the list for grain quality and out-performed the plant average with the following numbers by model:

Model	C&B
1660	2.00%
1680	2.06%
AFX8010	2.10%
2166	2.16%
2366	2.28%
2188	2.30%
1666	2.30%
2388	2.52%

To prove the **superior grain quality** of the Axial-Flow design, consider these impressive results from a major food-grade corn processor.

The average for cracked and broken (C&B) kernels in yellow corn was 2.74% for all combine models, including competitive machines. Seven different Axial-Flow models out-performed all other machines as well as beat the C&B average with a range of just 2.14% to 2.64%.

In white corn, the processor's average for cracked and broken (C&B) kernels was 2.54% for all combine models. Again, Axial-Flow combines topped the list for best grain quality, outperforming the average with eight models ranging from 2.00% to 2.52%.

In both yellow and white corn results, competitive combines came in behind Axial-Flow models and above the processor's average for cracked and broken kernels.

Clearly, the Case IH Axial-Flow design outperforms industry standards as well as competitive combines to give you greater profit potential by harvesting premium-quality grain.



## MORE-CONSISTENT CROP FLOW IN ALL CONDITIONS

The rotor itself is really what sets the Axial-Flow combine apart from all other designs when it comes to superior grain quality. The single, in-line design offers gentle, multiple-pass threshing. The rasp bar configuration allows more grain-on-grain threshing, which is the hallmark of the Axial-Flow design.

Crop material spirals rearward, remaining in the threshing section longer than with conventional cylinder-and-concave systems. The result is more-complete threshing and more grain in the tank — with less damage to fragile seeds.

The **new AFX rotor** features enhanced graduated pitch impeller inlet flighting that smoothly moves crop from the feeder house to the rotor cage and transitions crop into the threshing elements.

A smoother, uninterrupted crop flow means more-consistent delivery that reduces peak horsepower demands and the overall wear-rate of threshing components. Best of all, this gives the AFX rotor improved throughput capacity of up to 25%, especially in tough crop and harvesting conditions.

With just a single moving part for threshing and separating, the rotor design is extremely simple and reliable.

Compared to 16 moving parts in a conventional machine with straw walkers, the Axial-Flow means fewer adjustments and less maintenance.

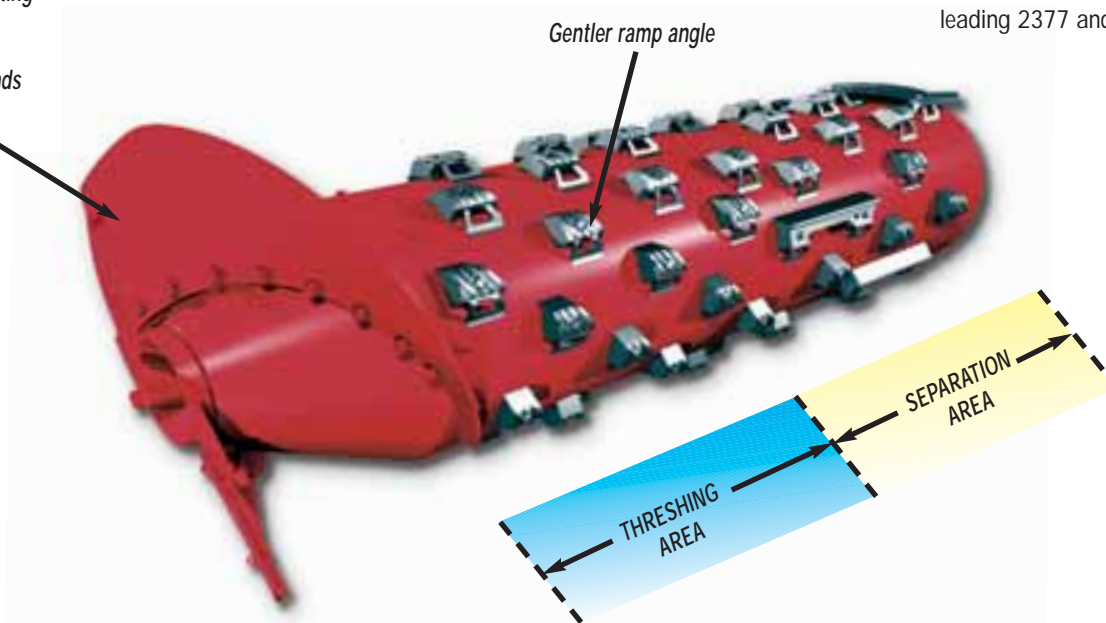
The AFX rotor also creates a powerful vacuum to move dust away from the feeder house and cab for better visibility to the header.

The AFX rotor is available in four configurations — grain, corn, rice and extended wear. Owners of earlier model Axial-Flow combines with 24' and 30' diameter rotors can upgrade to the AFX rotor, instantly improving their machine's performance.

Ask your dealer about the new AFX rotor on industry-leading 2377 and 2388 Axial-Flow combines.

*Graduated pitch impeller inlet flighting*

- smoother uninterrupted cropflow
- powerful vacuum created
- reduced peak horsepower demands



*With the new AFX rotor, Case IH advances the industry with the latest technology for enhanced performance. AFX grain rotor shown.*

The entire rotor drive system has been improved for better reliability and service life. The benefits include less belt bending, slippage, heat and failure, as well as an improved rotor response to changing loads.

Larger-diameter rotor drive pulleys and a 64% larger cam angle with 900 lb. (408 kg) spring tension make the difference.

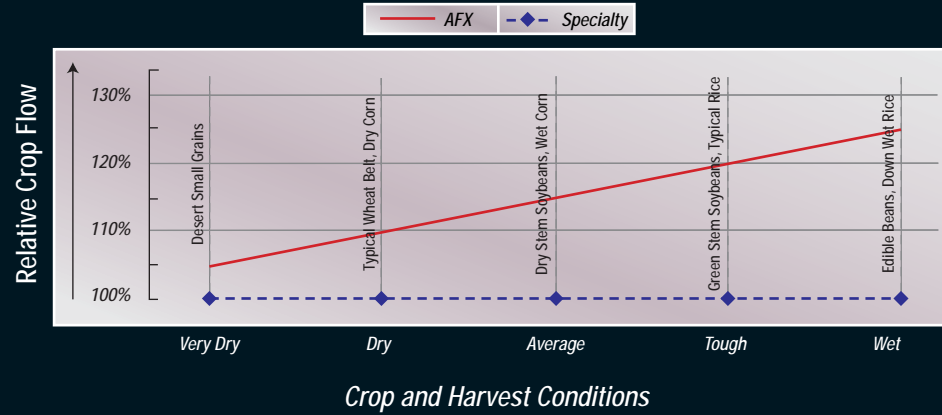


Larger-diameter rotor pulley    Previous rotor pulley

The new splice-less rotor drive belt eliminates the joint seam for a more uniform and reliable belt. It's also longer to accommodate the larger diameter pulleys.



## Crop Flow Comparison AFX Rotor vs. Specialty Rotor



When facing challenging crop and harvest conditions, the Axial-Flow with the new AFX rotor really shines. From very dry desert conditions to tough green-stem soybeans, edible beans, or down, wet rice, the AFX rotor improves crop flow and throughput capacity for greater productivity. Compared to the specialty rotor, the AFX rotor's advantage grows when you need it the most – as conditions get more challenging.



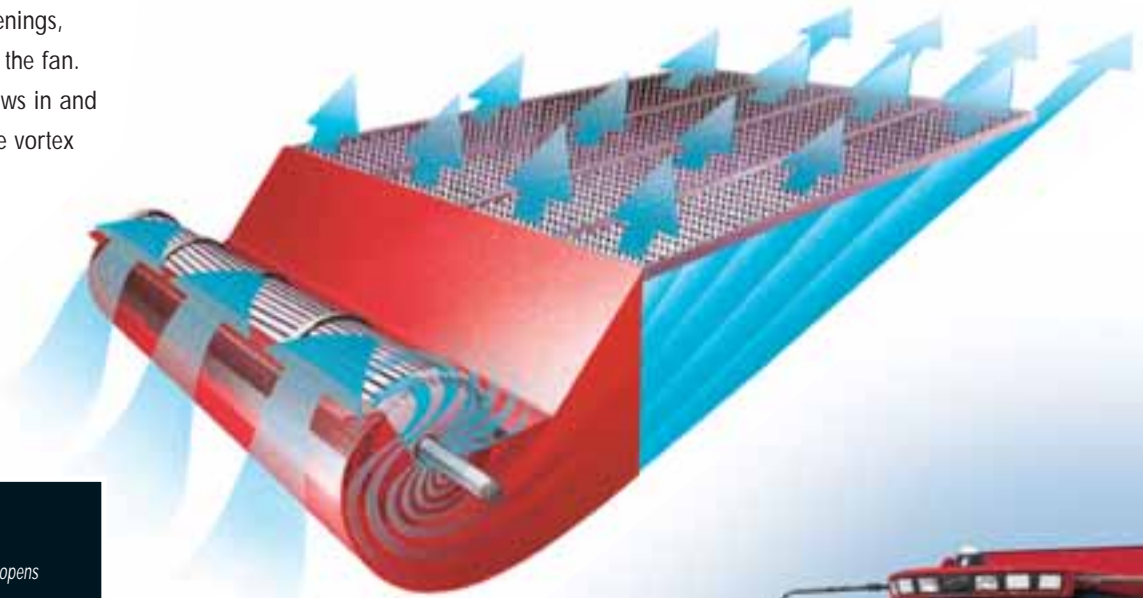
# CROSS-FLOW CLEANING SYSTEM

In addition to the Axial-Flow rotor, the patented Cross-Flow™ cleaning system plays a major role in achieving advanced performance. Greater airflow means a cleaner grain sample.

It delivers an extremely uniform airflow across the entire sieve for maximum cleaning efficiency. No more “hot spots” or low-pressure zones. Unlike conventional designs that draw air through restrictive end openings, the Case IH Cross-Flow fan draws air across the entire open area of the fan.

The system works by creating a “vortex” in its center, which draws in and sends out large volumes of air. The unique aerodynamic action of the vortex also reduces horsepower requirements and noise.

*With its high efficiency, the patented Cross Flow™ fan creates a far greater airflow allowing high-capacity cleaning. The three-section sieve design makes it easier to fine-tune for different harvest conditions.*



*From the cab, you can check the tallings volume monitor for continual updates that help you fine-tune settings for optimal grain quality.*

*A convenient one handle rock trap door opens over-center for consistent operation.*





For improved cooling efficiency, new 2300 Series Axial-Flow combines feature a patented, hydraulically driven rotary air screen and direct-flow cooling system.

A two-brush screen wiper/trash block system has been designed to reduce plugging of the rotary air screen by large corn leaves. The brushes sweep the material off the rotary screen and eject it through the boot.

The radiator and coolers can be accessed by a service door that allows the rotary air screen to be swiveled out of the way providing quick and easy access for cleaning and maintenance.

*Engine air is drawn from the air duct through the rotary screen to reduce particle build-up and extend the service interval.*



*A direct-flow design puts the rotary air screen, coolers, radiator and fan directly in front of the engine for improved efficiency from straight-through airflow.*

*New square wave technology on the radiator and charge air cooler eliminates burrs and barbs in the cooling core to prevent deep core plugging. A metal wiper-blade is now standard to keep fine material agitated and flowing through the radiator.*

*New de-aeration tanks reduce cavitation caused by air in the cooling system. Cooling is improved when fluid completely contacts the cylinder sleeves. The tank is located at the rear of the machine for easy inspection and filling.*



Keep tabs on your harvest progress and get production details immediately with an AFS yield monitor.



Precision-farming technology is another aspect of leadership from Case IH. As the first to offer factory-installed equipment, Case IH developed Advanced Farming Systems (AFS) for 2300 Series combines. Now known for its versatile mapping software, AFS leads the way with system integration, mobility and ease of use.



Signal Type	AFS100 Receiver	AFS110 Receiver	Accuracy
WAAS	X	X	Relative-Sub-meter
Omni STAR L-Band		X	Absolute-Sub-meter

## MONITOR AND MAP YIELDS FOR BETTER MANAGEMENT

The AFS Software provides a powerful desktop software package that can be used for Harvest Maps, Planting, Seeding and Sprayer Software. The package includes useful analysis tools as well as improved import/export of industry standard file types.



The AFS 110 Antenna/Receiver combines both functions into a small portable package. This receiver provides the option of using the free WAAS (Wide Area Augmentation Signal) or of using the Omni-Star L Band signal.

The new AFS100 is the antenna and receiver in one for relative sub-meter accuracy using the WAAS signal.



The flow sensor reads grain impact force from its location at the top of the clean grain elevator. For accurate flow rates, this reading is combined with elevator shaft speed to instantly calculate real-time yields.

With the growing adoption of precision farming, information is fast becoming as powerful as any machine. And Case IH leads the way with factory-installed **Advanced Farming Systems (AFS)**.

With just four main components — the flow sensor, moisture sensor, AFS antenna, and the Universal Display Plus monitor — you can turn your combine cab into Command Central.

Now you can choose from two types of AFS receivers. The **AFS110** is a 12-channel GPS receiver that provides **two signal options** for differential correction — Wide Angle Augmentation System satellite from the Federal Aviation Administration or OmniSTAR L-band satellite.

A new **AFS100 WAAS receiver** combines the antenna and receiver into one compact, weatherproof package. It uses the WAAS differential correction signal for reliable relative measurement accuracy for pass-to-pass operations.

As you harvest, the **Universal Display Plus** monitor continually takes yield and moisture readings from the sensors and stores them in memory. This data can be transferred to a PC card, which your home computer can read to create yield maps and analyze the data.

An upgraded operating system and file format make the touch-screen AFS Universal Display Plus even easier to use, offering greater functionality and flexibility. Five fully configurable user screens let you select and place 60 available data fields as you wish. And a new on-the-go, real-time yield or moisture map can be configured with up to five different user-defined legend values per crop type (when equipped with GPS system).

Sporting an improved user interface, new **AFS desktop software** for your home/office computer provides integrated support for all AFS applications, including harvesting and seeding. The upgraded version offers improved reports and printing capability, plus better analysis tools. The software also supports most major import/export file formats for images, text and spatial files.

The Case IH AFS receiver are so accurate, they can fix your latitude and longitude to within one meter...or better. Best of all, the Case IH yield-monitoring system delivers the highest precision in the industry. In fact, customers report accuracy to within two percent of elevator scales.

Put precision performance into your operation for enhanced management decision-making. Your Case IH dealer can help you integrate this innovative technology into your harvesting, planting and spraying equipment.



The moisture sensor on the right-hand side of the elevator measures the moisture and temperature of clean grain to determine a uniform, dry weight baseline for an accurate conversion from wet to dry bushels.

**Wastegate Turbocharger** optimizes operation across the torque curve with improved response.

**Cylinder Heads** use a low-swirl design for better combustion and fuel efficiency than prior designs.

**Full-Authority Electronic Controls** optimize engine performance and provide seamless integration with machine performance, advanced diagnostics, plus power rise and boost curves tailored for a combine.

**Low-Tension Belt Arrangement** provides plenty of surface area for positive drive of all components while an automatic belt tensioner maintains ideal tension over the life of the belt.

**Ni-Resist Piston Inserts** provide exceptional oil control for excellent lubrication thanks to positive and reverse-twist piston rings with pin-access drain.

**Mid-Stop Cylinder Liners** reduce cavitation and provide a unique cooling chamber around the hottest portion of the liner to deliver top efficiency and longer engine life.

**Timing Gear Cover and crankshaft seal** ensure thorough lubrication without oil seepage.

**Stiffer Block Design** helps reduced noise and vibration. Integrated fluid circuits replace hoses and eliminate potential leak points.

**Cross-Flow Manifolds** optimize engine efficiency from a natural cross-flow pattern of air. With intake and exhaust manifolds on opposite sides of the engine, intake air remains cooler for improved efficiency, unlike same-side designs that allow the exhaust to pre-heat the intake air.

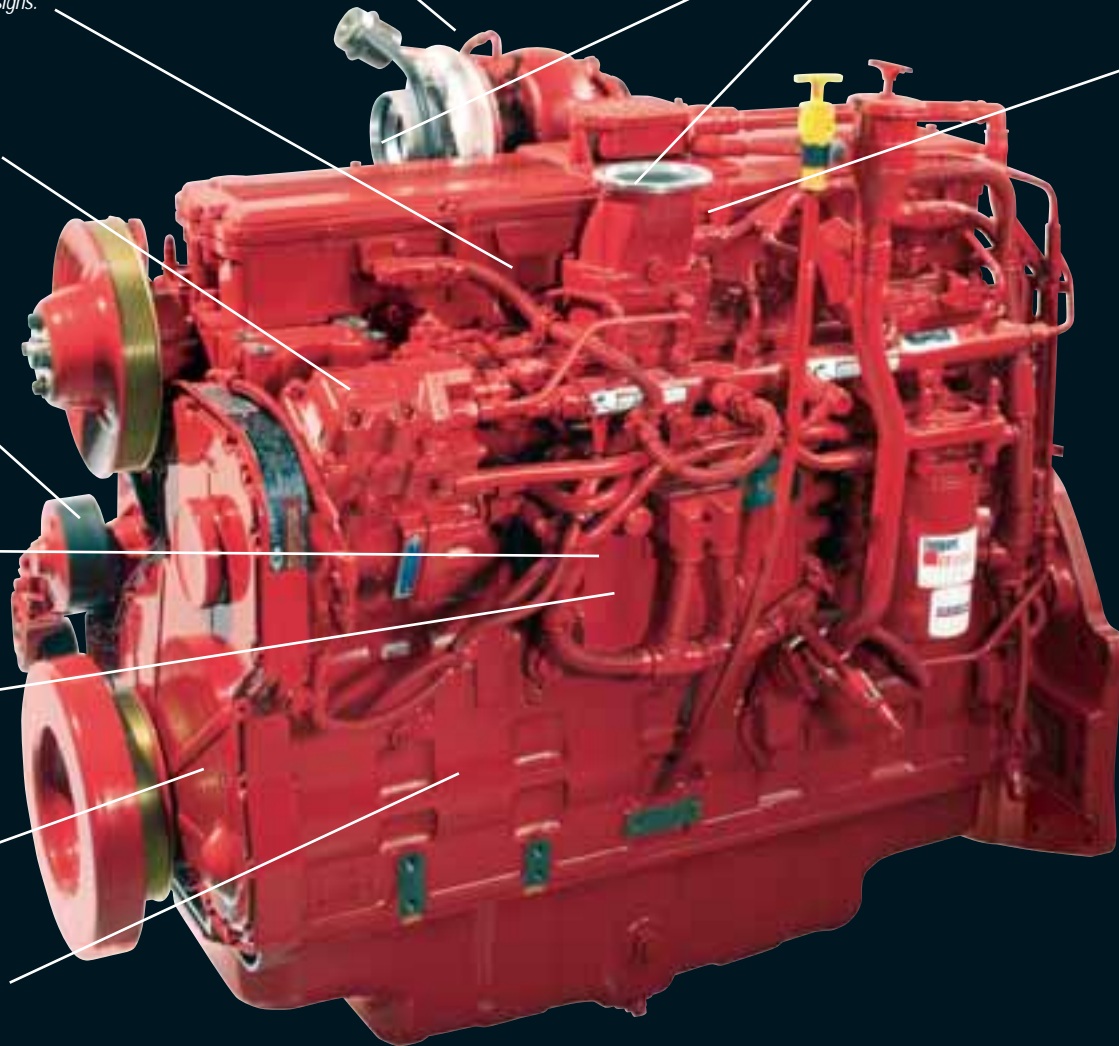
**Valves** rotate automatically to prevent hot spots and extend valve life. With two intake and two exhaust valves, the four-valve design delivers exceptional breathing.



Both the 2377 and 2388 have a new muffler as standard equipment (with an optional spark arrester for California) that provides quieter operation.



The new air cleaner design also improves engine performance. A patented lower dirt chamber efficiently removes dirt in the pre-cleaner to extend service intervals. And a new location makes for fast and simple servicing.



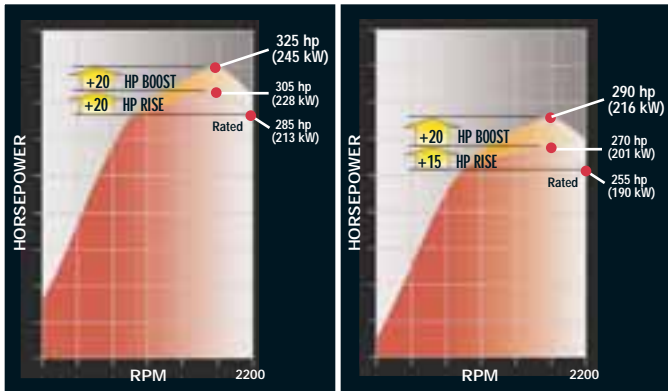
## NEW LEVELS OF POWER AND PERFORMANCE

During the fast-paced harvest season, you demand top performance from your combine engine. It runs at full speed for hours on end, with high demands from threshing and separating systems, hydraulics and propulsion. It's a place where efficiency and durability really pay off.

Thanks to full-authority electronically controlled engines, 2300 Series combines from Case IH provide outstanding operation and powerful performance to help keep your harvest on schedule.



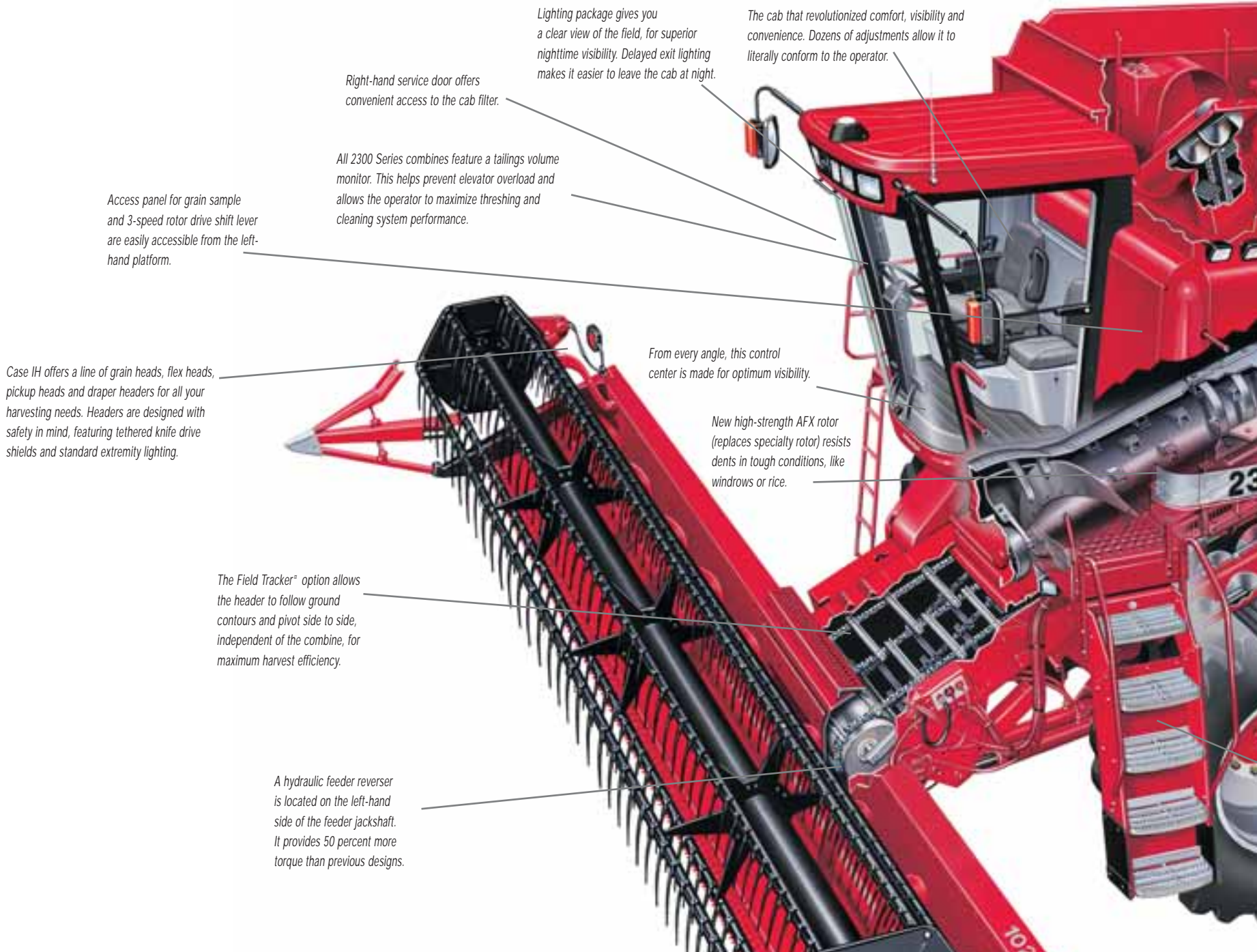
*The 2388 engine will grow to 305 horsepower under load and kicks in an extra 20 horsepower of boost for a maximum of 325 horsepower. You'll really appreciate that backup unloading power in high-moisture corn and heavy crop conditions.*



*At 285 rated horsepower, the 2388 will grow to 305 horsepower under load. When unloading on the go, the engine adds an extra 20 horsepower of boost for a maximum of 325 horsepower.*

*At 255 rated horsepower, the 2377 will grow to 270 horsepower under load and to 290 horsepower while unloading on the go.*





Lighting package gives you a clear view of the field, for superior nighttime visibility. Delayed exit lighting makes it easier to leave the cab at night.

The cab that revolutionized comfort, visibility and convenience. Dozens of adjustments allow it to literally conform to the operator.

Right-hand service door offers convenient access to the cab filter.

All 2300 Series combines feature a tailings volume monitor. This helps prevent elevator overload and allows the operator to maximize threshing and cleaning system performance.

Access panel for grain sample and 3-speed rotor drive shift lever are easily accessible from the left-hand platform.

From every angle, this control center is made for optimum visibility.

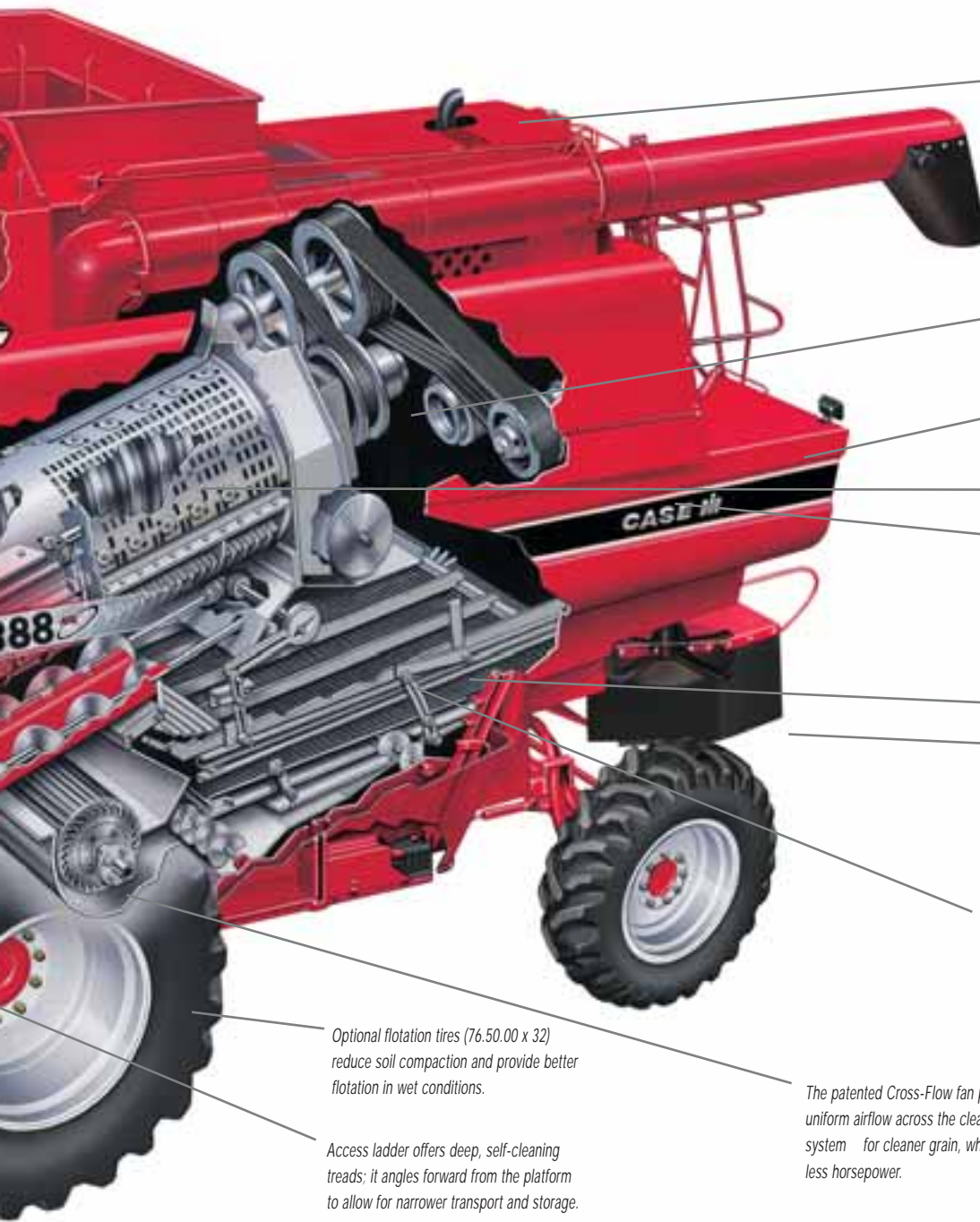
Case IH offers a line of grain heads, flex heads, pickup heads and draper headers for all your harvesting needs. Headers are designed with safety in mind, featuring tethered knife drive shields and standard extremity lighting.

New high-strength AFX rotor (replaces specialty rotor) resists dents in tough conditions, like windrows or rice.

The Field Tracker® option allows the header to follow ground contours and pivot side to side, independent of the combine, for maximum harvest efficiency.

A hydraulic feeder reverser is located on the left-hand side of the feeder jackshaft. It provides 50 percent more torque than previous designs.

# INSIDE THE 2300 SERIES AXIAL-FLOW COMBINE



*New full-authority electronically controlled engines provide new levels of power and performance.*

- 2388: 285 hp 20 hp rise plus 20 hp boost while unloading — 325 hp max
- 2377: 255 hp 15 hp rise plus 20 hp boost while unloading — 290 hp max

*A 3-speed rotor drive in 2388 offers even greater reliability and more total speed range. Rotor speed easily adjusts from the operator platform or the rear of the machine.*

*Exclusive belt technology extends belt life.*

*With 180 gallons (681 L) on board, the 46 percent larger fuel tank of the 2377 and 2388 provides approximately 14-16 hours of operation.*

*The rotor cage provides adjustable cage vanes from front to rear to fully control crop flow through the threshing and separating process.*

*Pressure- and flow-compensated hydraulics are featured on the header lift, reel lift, unloader swing, steering and the optional Field Tracker. This improves power efficiency and responsiveness.*

*Inspection door and side lights for easier adjustments. The optional chopper includes new fixed-knife blades and 4-position chopper adjustment from the side.*

*Optional straw and chaff spreader distributes chaff and crop residue evenly across the field. Dual-speed spreader provides varying spread widths.*

*Chaffer sieve now has 3 adjustable sections; the front, middle and rear sections adjust independently for improved performance.*

*Optional flotation tires (76.50.00 x 32) reduce soil compaction and provide better flotation in wet conditions.*

*Access ladder offers deep, self-cleaning treads; it angles forward from the platform to allow for narrower transport and storage.*

*The patented Cross-Flow fan provides uniform airflow across the cleaning system for cleaner grain, while using less horsepower.*





## THE COMMAND CENTER

In addition to being functional, a combine cab needs to be comfortable and convenient so you can stay alert during those long days of the harvest season.

When you step inside, the first thing you'll notice is the spacious interior. Long hours are more enjoyable in the new air-suspension seat with adjustable left-hand armrest and removable seat cushions. Plus, you'll find all the seat controls right up front for easy adjustment.

The right-hand console is just as easy to adjust. Once you find the position you like, it moves in tandem with your seat. To make it even easier for you to get comfortable — and stay that way, the automatic climate control system lets you maintain cab temperature right where you want it.

Once you're settled in, take a good look around. With a huge expanse of curved glass in front of you, you've got an amazing, panoramic view, including a clear view of the header — from end to end and right down to the crop.



*Focalized cab mounting shields the operator from vibrations, giving you the most comfortable ride possible.*



*Stadium lighting offers extraordinary visibility for harvesting late into the night.*



*The right-hand console adjusts to fit any operator. In addition, the steering column pivots both at the wheel and at the floor.*



*New delayed exit lighting will remain illuminated for 30 seconds after the field lighting switch is turned off for improved night-time exit.*

## TAKE TOTAL CONTROL OF YOUR COMBINE

With a Case IH 2300 Series Axial-Flow combine, you're always in total control of its operation and performance. The multi-function propulsion lever gives you maximum control with a minimum of effort. It's designed to fit the natural grip of your hand, while your arm rests comfortably at your side.

With a touch of your thumb, you can control six vital harvest functions, including raising/lowering the feeder, adjusting the reel, operating Field Tracker

(if so equipped), swinging out the unloading auger and operating the unloader.

Move your hand onto the right-hand console and control 10 other functions with the flip of a switch. You'll find other less frequently used controls conveniently located out of the way inside the armrest. What's more, the entire console moves along with the seat to keep all controls right where you want them...within easy reach at all times.



*A hydraulic feeder reverser provides 50 percent more torque than prior designs. The hydraulic reverser is actuated with a toggle switch in the cab. The new design ensures smooth, quiet operation.*



*Total comfort and convenience extends all the way to the foot pedals. All are easy to reach, yet out of the way for a clear view down to the header.*



# CONTROLS AND SERVICEABILITY

*The 2377 and 2388 offer three rotor speeds to match harvest conditions. For added convenience, you can change speeds right from the operator platform.*



*If the operator leaves the seat with the separator and feeder engaged for more than 7 seconds, the combine automatically disengages feeder.*



*Simply press the lower portion of the field lighting switch to turn on the forward grain tank lights for 30 seconds to allow safer cab exit at night.*



*Multi-mode control puts on-the-go controls at the command of your thumb. Controls six vital harvest functions.*



*We designed the shielding to ensure safe operation, while keeping access quick and convenient.*



*You'll find a new chaff discharge chute, two fully serviceable rotary air screen brushes, and improved access to the straw spreader and chopper drives, as well as the rotor gear case.*



## THE ANSWER FOR ALL CROPS

Whatever crop you have to harvest, trust a Case IH header to handle the task best when teamed with a 2300 Series Axial-Flow combine. Expect nothing less than Case IH quality, durability, reliability and productivity.

The 2200 Series corn heads (2212/30 shown) in 6-, 8-, or 12-row configurations on a variety of row spacings bring more ears into the header for increased efficiency and productivity. The two-piece cantilevered stalk rolls and large 16-inch (406 mm) diameter auger easily handle high-capacity loads. Low-profile polyethylene hoods, dividers and fenders not only resist rust, they also hug ground contours to pick up more downed crop.



The 1010/1020 Series grain headers prove their performance in a variety of crops and conditions. Available in a number of cutting widths ranging from 15 to 30 feet (4.5 to 9.1 m), the 1010 rigid and 1020 flexible cutterbar headers use hydraulic reel lift and drive as standard equipment.



Field studies show that, on the average, the 1020 flexible cutterbar header can minimize your harvest loss to less than 3%. This compares to losses of 8-10% with rigid cutterbar headers and 5% with add-on flexible cutterbars.



The 2040/2052 Series draper headers offer a specialized solution for harvesting a wide variety of crops in a wide range of conditions. The drapers advantage is in how it lays the crop on the draper, heads first and feeds it smoothly and evenly into the feeder, heads first. This allows the machine to run smoother and operate faster. A float optimizer option uses the combines Auto Header Height Control to closely track changing terrain. The 2052 is available as a 21 to 36 ft. (6.4 to 11 m) cutting widths, while the 2042 cuts either 30 or 36 ft. (9.1 or 11 m) wide.



The 2015 belt or rake-up pickup headers in 12 or 14 ft. (3.7 or 4.3 m) cutting widths best handle high-capacity harvesting of cereal grains, beans, peas, lentils or canola. A 24-inch (610 mm) diameter floating auger with quick-disconnect telescoping drive transports crop smoothly and quickly to the feeding area.

# AVAILABLE AXIAL-FLOW COMBINE HEADERS



2200 Series Cornhead



1010 Rigid Grain Header



1020 Flexible Grain Header



1010 Rigid Grain Header

*MX255 with 1200 Planter*



*STX425 with RMX370 Tandem Disks*



## CASE IH SYSTEMS APPROACH

---

It's easy to understand the convenience of a one-stop source for a full line of farm equipment. Yet, Case IH takes it one step further.

The **Case IH total systems approach** goes beyond the iron to also include the support you need before and after the sale — from flexible financing options and insurance coverage through CNH Capital to the trained service technicians and quality parts inventory available at your local Case IH dealer.

From tractors and tillage to planting and crop care, Case IH offers a full line of systems to meet your equipment needs every season of the year. Whether you need a tractor, tillage tool, planter, seeder, cultivator or sprayer, Case IH is the best brand to invest in for dependable performance, as well as reliable return on investment and resale value.

Make your local Case IH dealer your one-stop source for the full line of quality equipment.

SPX4410 Sprayer



LBX432 Baler



## UPGRADE FOR ULTIMATE UPTIME

Case IH has developed combine product support kits designed to enhance the performance of your Axial-Flow combine. Now's the perfect time to get started on evaluating your maintenance needs. Several different viewpoints were factored into the development and design of these performance and maintenance kits including:

- input from customers who own and operate Case IH Axial-Flow combines.
- advice from Case IH dealers' product support departments. These parts and service specialists have submitted numerous suggestions based on actual experiences in the dealership.
- data from Case IH combine engineers who work to make improvements on later models, through packaged kits that can be installed on a previous model combine, corn head or grain header.

While you can install many of these kits yourself, your Case IH dealer has the tools and training to properly install all available product support kits for your Axial-Flow combine and header. Ask your Case IH dealer for an installed price on any of these kits.

See your dealer for the latest copy of the Axial-Flow Combines Product Support Kits Catalog





## RELIABLE RETURN ON INVESTMENT AND RESALE VALUE

---

Making a decision to purchase a piece of farm equipment bearing the Case IH brand is a wise investment in your business. With quality-built products that deliver lasting reliability and long-term life, Case IH equipment can truly be an asset on your farm.

Prior to production, all products receive thorough testing for field-proven performance that can be reliably repeated on your acres over many seasons. That's why you can rely on getting back a respectable resale value at trade-in time.

To help you add a new combine, tractor or implement to your operation, your local Case IH dealer can work with CNH Capital to offer flexible financing solutions that best fit your budget and business goals.

Trust your local Case IH dealer to be your primary resource for genuine Case IH parts, regular service and maintenance, as well as speedy diagnostics and repairs. Factory-trained service technicians and knowledgeable parts personnel ensure your equipment delivers maximum uptime.

When you're looking for a single source for dependable farm equipment, look no further than your local Case IH dealer for a full line of equipment to handle any application. Best of all, you can depend on full-fledged product support before, during and after the sale.



## 2300 SERIES AXIAL-FLOW COMBINES

	2377	2388
<b>ENGINE</b>		
Type.....	6-cylinder, in-line, direct injected, turbocharged.....	6-cylinder, in-line, direct injected, turbocharged
	and air-to-air aftercooled diesel	and air-to-air aftercooled diesel
Displacement.....	505 in. <sup>3</sup> (8.3 L).....	505 in. <sup>3</sup> (8.3 L)
Horsepower.....	255 hp (190 kW).....	285 hp (213 kW)
Power rise/power boost while unloading.....	15 hp (11 kW)/20 hp (15 kW).....	20 hp (15 kW)/20 hp (15 kW)
Maximum power.....	290 hp (216 kW).....	325 hp (242 kW)
<b>TRANSMISSION</b>		
Type.....	3-speed hydrostatic drive w/hydraulic power disc brakes.....	3-speed hydrostatic drive w/ hydraulic power disc brakes
<b>THRESHING/SEPARATING</b>		
Type.....	Longitudinally-mounted rotor.....	Longitudinally-mounted rotor
Rotor diameter.....	30 in. (762 mm).....	30 in. (762 mm)
Rotor length.....	110 in. (2.8 m).....	110 in. (2.8 m)
Rotor speeds.....	Variable w/low, medium and high range.....	Variable w/low, medium and high range
Low.....	250 to 400 rpm.....	250 to 400 rpm
Medium.....	400 to 700 rpm.....	400 to 700 rpm
High.....	700 to 1125 rpm.....	700 to 1125 rpm
Concave.....	Adjustable, 3-section bar and wire.....	Adjustable, 3-section bar and wire
Concave adjustment.....	Electrical operated w/position display standard.....	Electrical operated w/position display standard
Discharge beater.....	3-blade.....	3-blade
Auger bed.....	5-auger.....	5-auger
Grain loss monitor.....	Standard.....	Standard
<b>CLEANING SYSTEM</b>		
Chaffer sieve.....	Adjustable slat.....	Adjustable slat
Shoe sieve.....	Adjustable slat.....	Adjustable slat
Total cleaning area.....	7,947 in. <sup>2</sup> (5.1 m <sup>2</sup> ).....	7,947 in. <sup>2</sup> (5.1 m <sup>2</sup> )
Cleaning fan.....	Cross flow.....	Cross flow
Fan speed.....	Variable, 450 to 1250 rpm.....	Variable, 450 to 1250 rpm
Note: Hinged fan cutoff (std.) provides low airflow, similar to prior models w/slow-speed fan attachment.		
<b>CONVEYING AND STORAGE</b>		
Tailings elevator.....	6 x 8 in. (152 x 204 mm) top-driven, roller chain w/rubber flights.....	6 x 8 in. (152 x 204 mm) top-driven, roller chain w/rubber flights
Clean grain elevator.....	8 x 11.1 in. (204 x 281 mm) top-driven, roller chain w/rubber flights, two speeds: standard, high.....	8 x 11.1 in. (204 x 281 mm) top-driven, roller chain w/rubber flights, two speeds: standard, high
Grain tank capacity.....	190 bu. (6.7 m <sup>3</sup> ).....	210 bu. (7.4 m <sup>3</sup> )
Unloading auger.....	Hydraulic swivel control w/detent.....	Hydraulic swivel control w/detent
Discharge height.....	12 ft. 11 in. (3.9 m).....	12 ft. 11 in. (3.9 m)
Unloading speed.....	1.9 bu. (.1 m <sup>3</sup> ) per sec. maximum, depending upon crop and conditions.....	1.9 bu. (.1 m <sup>3</sup> ) per sec. maximum, depending upon crop and conditions

# CASE IH COMBINE SPECIFICATIONS

	2377	2388
<b>WHEELS AND TIRES</b>		
Drive wheel tires		
Single drive .....	24.5-32, 12PR (R1).....	24.5-32, 12PR (R1)
	30.5-32, 12PR or 14PR (R1)(R2)(R3)	30.5-32, 12PR or 14PR (R1)(R2)(R3)
	35.5L-32, 12PR (R2)	35.5L-32, 12PR (R2)
	800/65 R32, LI 172 (R1W)	800/65 R32, LI 172 (R1W)
Dual drive.....	380/90 R46, LI 149 (R1W).....	380/90 R46, LI 149 (R1W)
	18.4R38, 1 STAR (R1)	18.4R38, 1 STAR (R1)
	18.4R42 2 STAR (R1)(R2)	18.4R42 2 STAR (R1)(R2)
	20.8-38, 8PR (R1)(R2)	20.8-38, 8PR (R1)(R2)
	20.8R42, 2 STAR	20.8R42, 2 STAR
Flotation drive.....	76.50.00 x 32 @ 148 in. tread width.....	76.50.00 x 32 @ 148 in. tread width
Drive wheel tread		
w/wheels in.....	120 in. (3.0 m).....	120 in. (3.0 m)
w/wheels out.....	132 in. (3.4 m).....	132 in. (3.4 m)
Drive wheel tread w/axle extensions		
w/wheels in.....	132 in. (3.4 m).....	132 in. (3.4 m)
w/wheels out.....	144 in. (3.7 m).....	144 in. (3.7 m)
Dual wheel drive tread		
inner wheels.....	120 in. (3.0 m).....	120 in. (3.0 m)
outer wheels.....	180 in. (4.6 m).....	180 in. (4.6 m)
Note: Refer to Operator's Manual for other wheel treads.		
Steering tires .....	14.9-24, 8PR (R1).....	14.9-24, 8PR (R1)
	18.4-16.1, 6PR (R1)	18.4-16.1, 6PR (R1)
Power-guide axle tires .....	16.9-26, 10PR (R1).....	16.9-26, 10PR (R1)
	480/70 R24, LI 138 (R1W)	480/70 R24, LI 138 (R1W)
	18.4-26, 6PR (R1)(R2)	18.4-26, 6PR (R1)(R2)
	16.9 x 26 10PR R1	16.9 x 26 10PR R1
	18.4 x 26 10PR R1	18.4 x 26 10PR R1
Flotation steer.....	600/65-R28 @ 144 in.....	600/65-R28 @ 144 in.
Steering axle tread.....	104-120 in. (2.6-3.0 m).....	104-120 in. (2.6-3.0 m)
Power-guide axle tread.....	120-144 in. (3.0-3.7 m).....	120-144 in. (3.0-3.7 m)
Wheelbase .....	11 ft. 6 in. (3.5 m).....	11 ft. 6 in. (3.5 m)
<b>DIMENSIONS/CAPACITIES</b>		
Chassis length .....	23 ft. 7 in. (7.2 m).....	23 ft. 7 in. (7.2 m)
Transport and storage height .....	12 ft. 6 in. (3.8 m) w/std. tires.....	12 ft. 6 in. (3.8 m) w/std. tires
Fuel tank.....	180 U.S. gal. (681 L).....	180 U.S. gal. (681 L)
Approximate base weight (less head).....	28,079 lbs. (12 730 kg).....	28,329 lbs. (12 861 kg)

For header options, see your Case IH dealer.

Case IH dealers are the standard for expert sales, service and support of the most technologically advanced equipment in the world. They're committed to understanding your business and providing unique solutions to maximize your productivity.

From tractors to AFS precision farming technology, Case IH dealers offer a complete agricultural system. Coupled with timely parts and service, and flexible financial solutions through CNH Capital, Case IH dealers provide a total package to ensure you're always performing at your best.

But most importantly, Case IH dealers offer planning for the long-term growth of your business. By staying at the forefront of agronomic issues and the cutting edge of technology, they help prepare you for tomorrow.

Whatever it takes, Case IH dealers are dedicated to helping your operation achieve success season after season. Visit your Case IH dealer today to see the advantages of worldwide leadership.

Financing provided by

**CNH Capital**



**SAFETY NEVER HURTS!**<sup>™</sup> Always read the Operator's Manual before operating any equipment. Inspect equipment before using it, and be sure it is operating properly. Follow the product safety signs, and use any safety features provided.

CNH America LLC reserves the right to make improvements in design and changes in specifications at any time without notice and without incurring any obligation to install them on units previously sold. Specifications, descriptions and illustrative material herein are as accurate as known at time of publication, but are subject to change without notice.

Case IH is a registered trademark of CNH America LLC.

CNH Capital is a trademark of CNH America LLC.

Any trademarks referred to herein, in association with goods and/or services of companies other than CNH America LLC, are the property of those respective companies.

Availability of some models and equipment builds varies according to the country in which the equipment is used.



**CASE IH IS A BRAND OF CNH,**  
A GLOBAL LEADER IN AGRICULTURAL AND CONSTRUCTION EQUIPMENT AND FINANCIAL SERVICES.

**CASE IH**