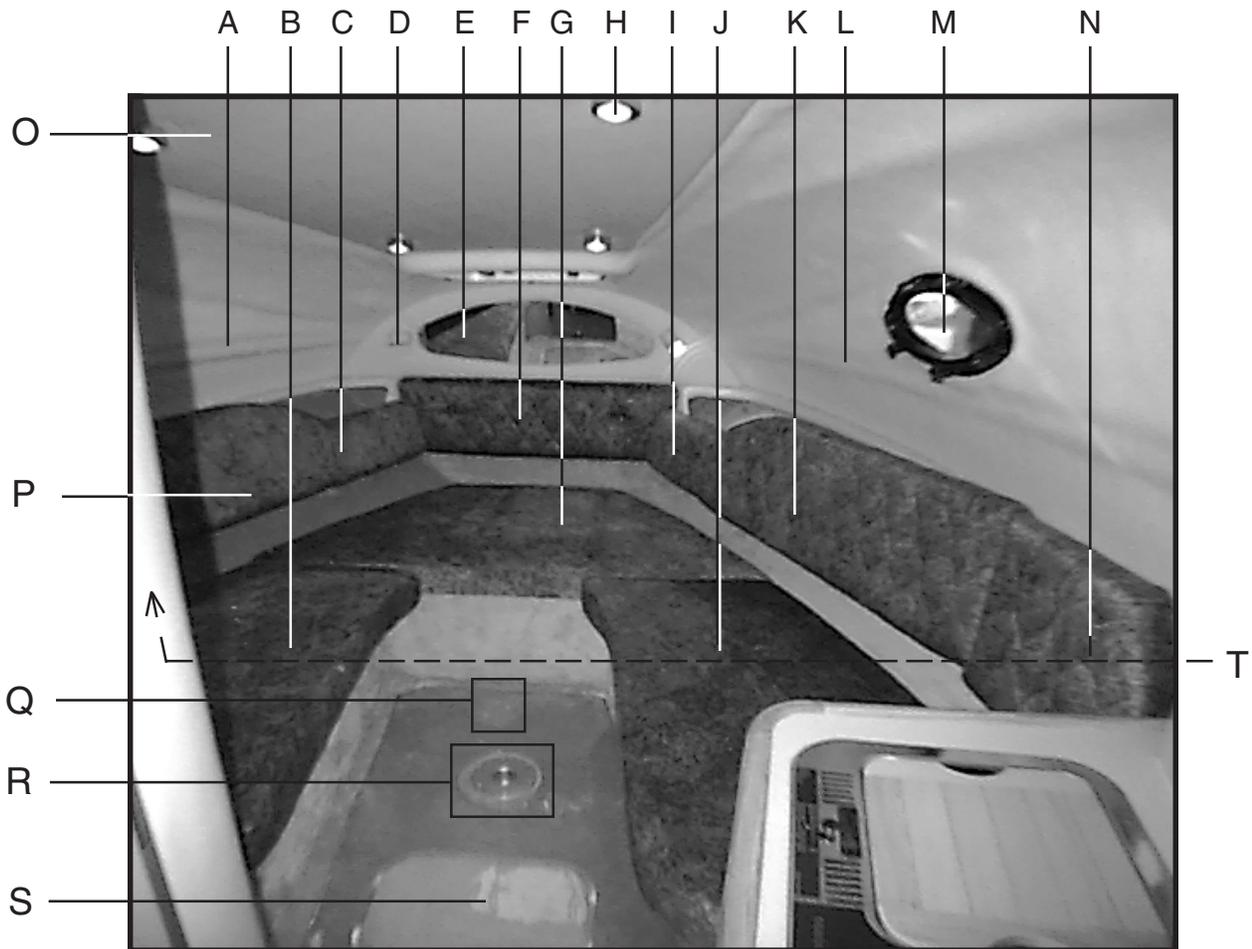


# 2465 CABIN



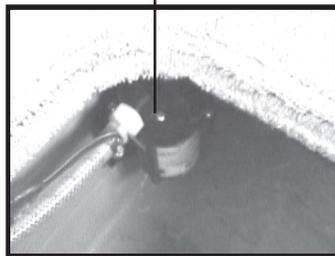
ITEM #	DESCRIPTION	PART #
A & L	SHEER BOARDS (set of 5)	UHD18A
B	PORT BOW CUSHION	UHD06V
C	PORT FORWARD BACKREST	UHD06N
D	KENWOOD SPEAKER (80W)	95713
E	MIRROR MUFF	UHD10F
F	BOW V-BERTH BACKREST	UHD06T
G	FORWARD BOW CUSHION	UHD06U
H	HALOGEN LIGHT (5 watt, ea.)	501740
I	STBD FORWARD BACKREST	UHD06P
J	STBD BOW CUSHION	UHD06W
K	STBD FILLER BACKREST	UHD06S
M	PORTHOLE (plastic, S/S ring)	502343
N	STBD AFT BACKREST	UHD06Q
O	HEADLINER LIGHT PANEL	UHD18T
P	PORT FILLER BACKREST	UHD06R
Q	PLATE (4" ACCESS MUSHROOM)	502315
R	PEDESTAL BASE	18708
S	V BERTH FLOOR HATCH	UHD18F
T	V-BERTH TABLE HOLDER	UHD18S
	DINETTE TABLE	WHD05B
	DINETTE TABLE LEG (25")	18729

# 2465 CABIN Cont.



A B C

D E F G H I



M



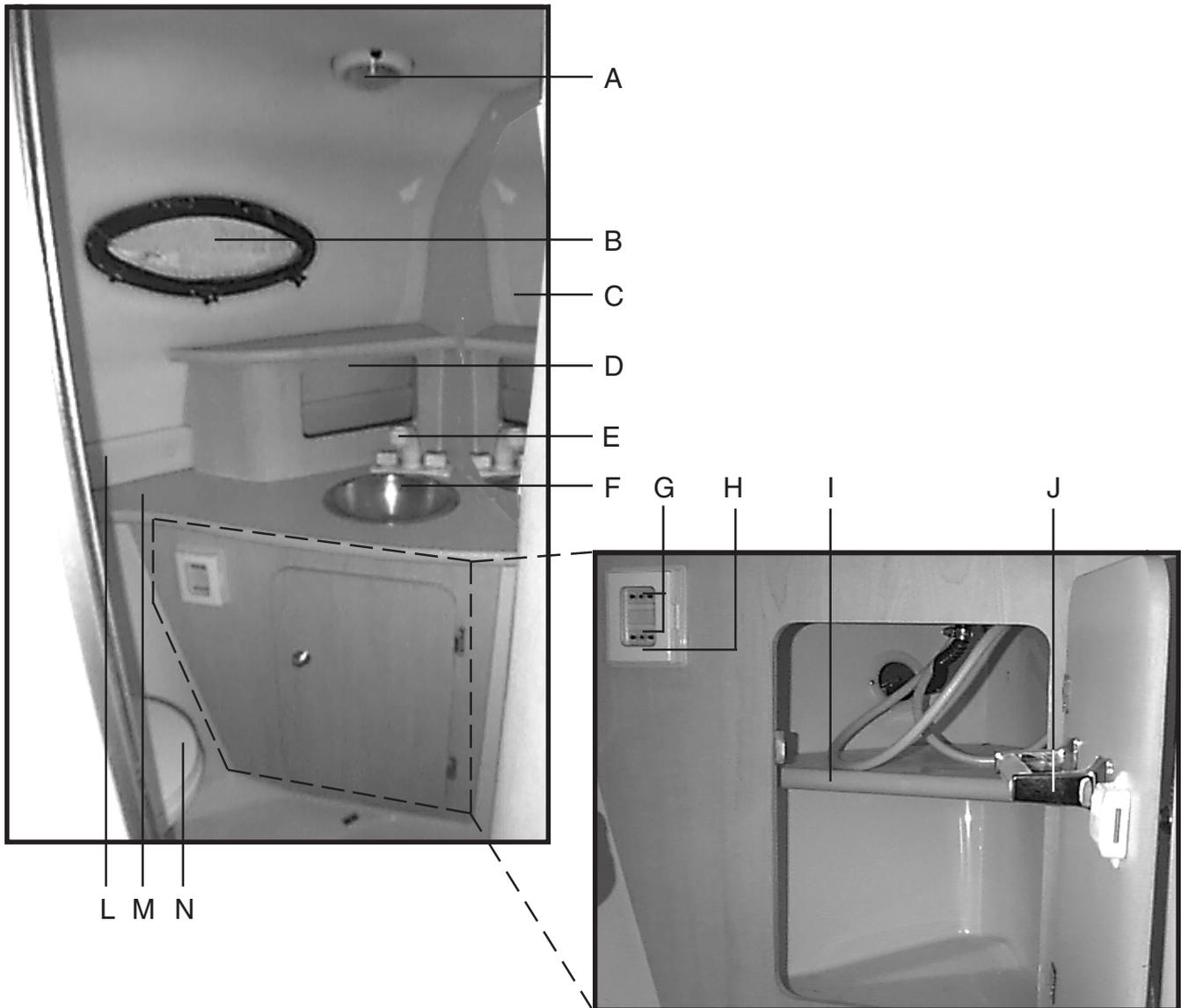
J

K

L

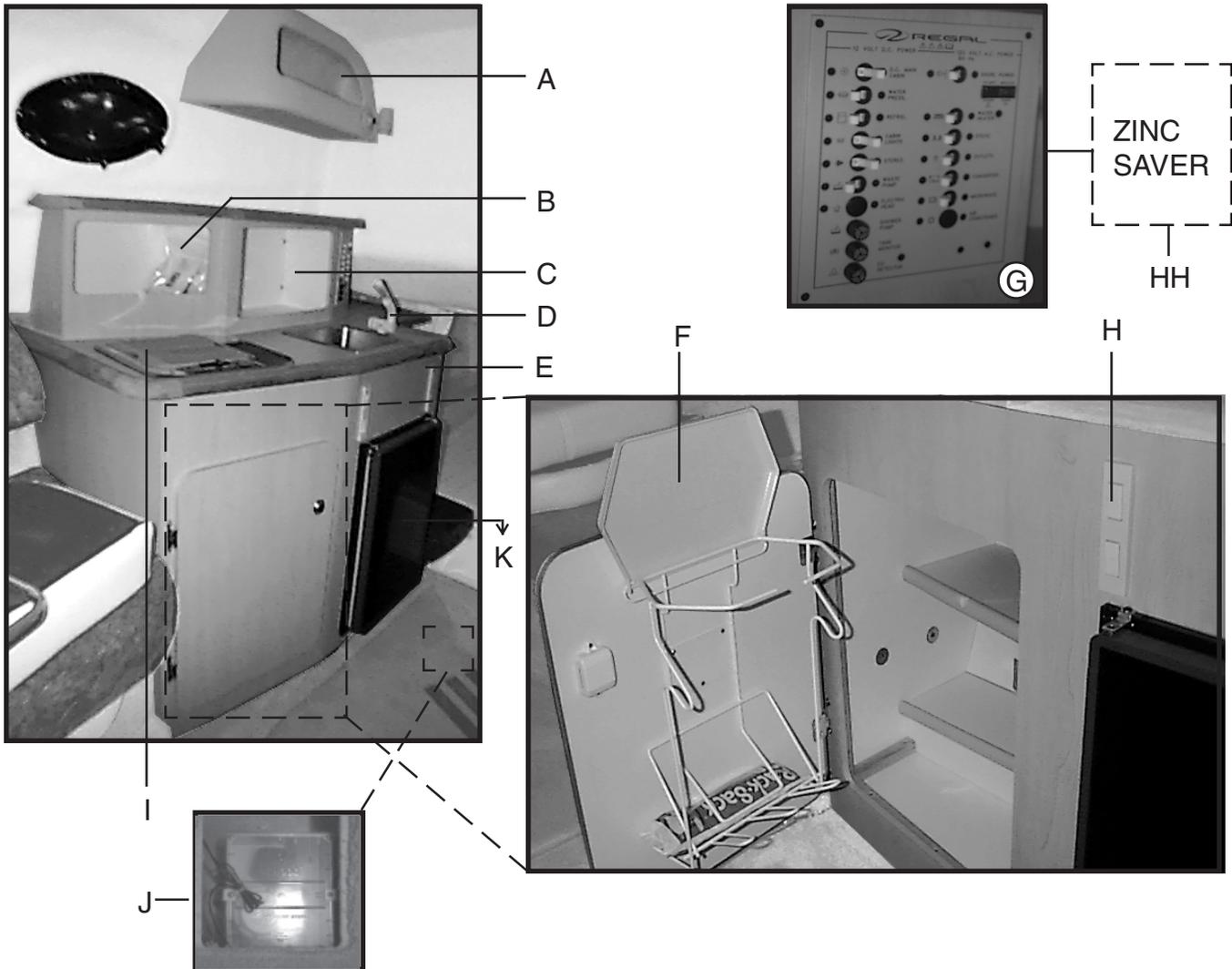
ITEM #	DESCRIPTION	PART #
A	ENTRY THRESHOLD	WHD25C
B	PORT HANGING LOCKER	WHD02A
C	STEREO (KRC-416S)	95724
	ANTENNA (telescoping, not shown)	15891
D	HEAD DOOR	WHD04F
E	HEADLINER LIGHT PANEL	UHD18T
F	PORTHOLE (plastic, S/S ring)	502343
G	VERTICAL MOUNT LIGHT (halogen)	501732
H	PORT FOWARD BACKREST	UHD06N
I	SHEER BOARDS (set of 5)	UHD18A
J	DINETTE TABLE	WHD05B
K	TABLE HOLDER/ARMREST	UHD18S
L	PORT BOW CUSHION	UHD06V
M	WATER PUMP	14541
	FILTER (WATER PUMP, NS)	14544

# 2465 CABIN Cont.



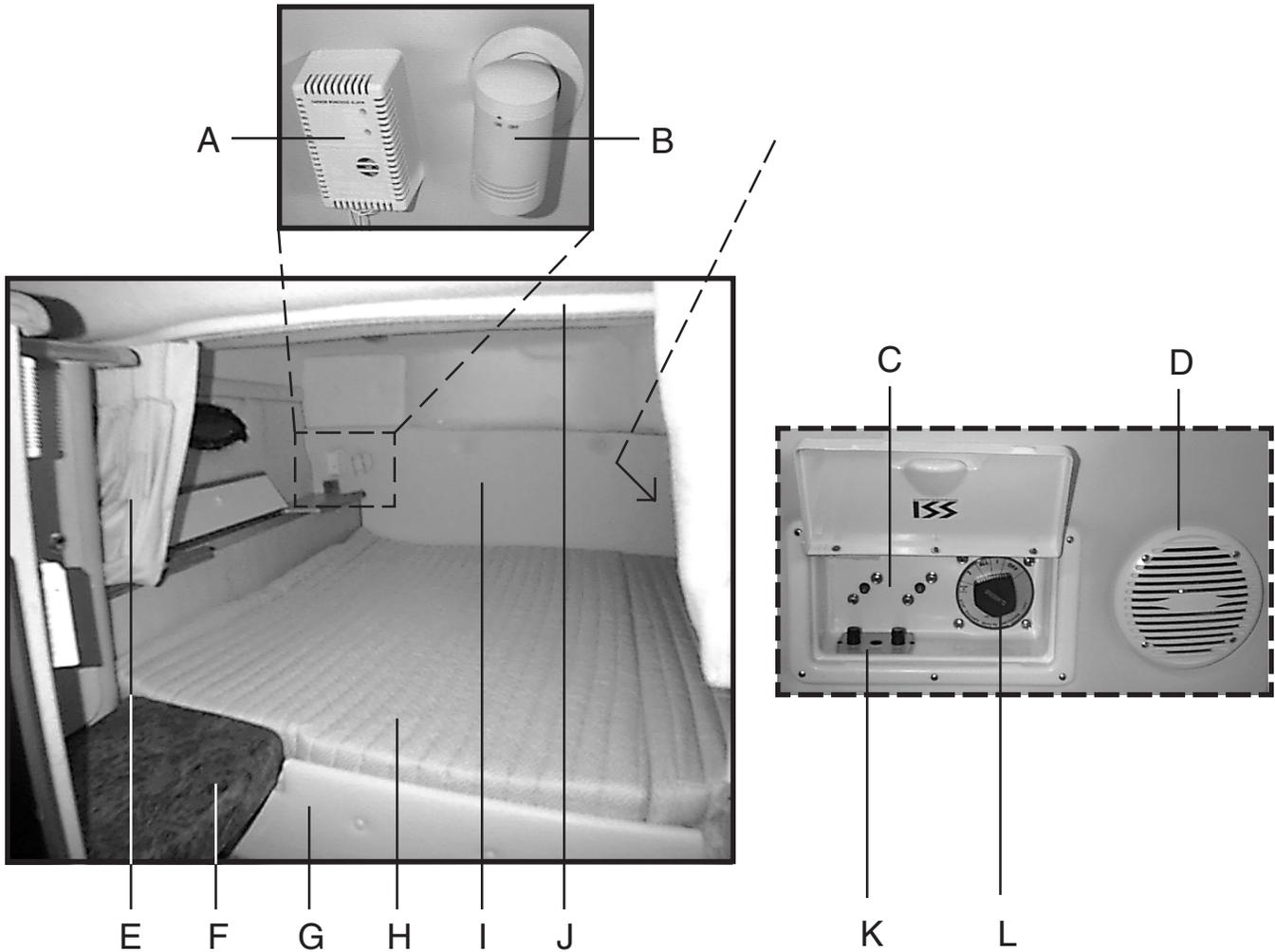
ITEM #	DESCRIPTION	PART #
A	INTERIOR DOME LIGHT (perko)	48389
B	PORTHOLE (plastic, S/S ring)	502343
C	HEAD MIRROR	WHD04E
D	HEAD VANITY W/ BACKSPLASH	WHD04D
	SHOWER CURTAIN (not shown)	UHD18M
E	TAP/SHOWER (white, single, cold)	576121
	SHOWER BRACKET (Lg., wall mount)	57615
F	SINK (10-3/8" dia., S/S)	47151
G	2 POLE ELECTRICAL OUTLET	5052
H	COVER (WEATHER PROOF)	50541
I	HEAD LOWER VANITY SHELF	WHD04C
J	PAPER HOLDER	4715
L	SHEER BOARD (set of 5)	UHD18A
M	HEAD LOWER VANITY TOP	WHD04B
N	MARINE TOILET	10442
O	HEAD DOOR FRAME (NS)	104305

# 2465 CABIN Cont.



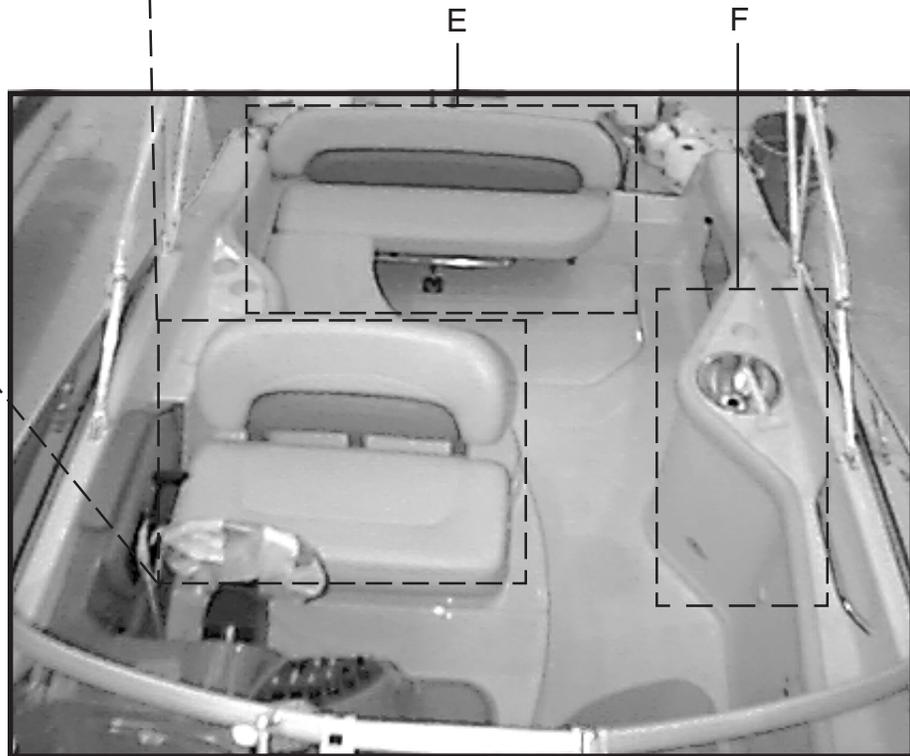
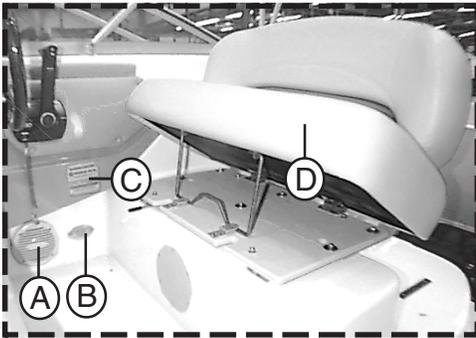
ITEM #	DESCRIPTION	PART #
A	STORAGE BOX GALLEY (above galley)	UHD03A
B	GALLEY W/ BACKSPLASH	WHD03B
C	MICROWAVE OVEN (110v. option)	50259
	MICROWAVE OVEN (22v. option)	50247
D	FAUCET (10-3/8" dia. S/S)	47151
	SINK (flush mount)	4716
E	OUTLET (2 POLE W/ GRD)	5052
	BOX- 2MODULE VERTICAL	5018
	PLATE- 2 MODULE IVORY	5025
F	DISPOSAL BASKET SYSTEM	41623
G	AC/DC PANEL (110v)	85180
H	SWITCH(sp, 16A)	5053
	PLATE 2 MODULE IVORY	5025
HH	ZINC SAVER	56220
I	STOVE (SINGLE BURNER ALCOHOL)	187391
J	SHOWER BOX	48221
K	REFRIGERATOR (GALLEY)	47404

# 2465 CABIN Cont.



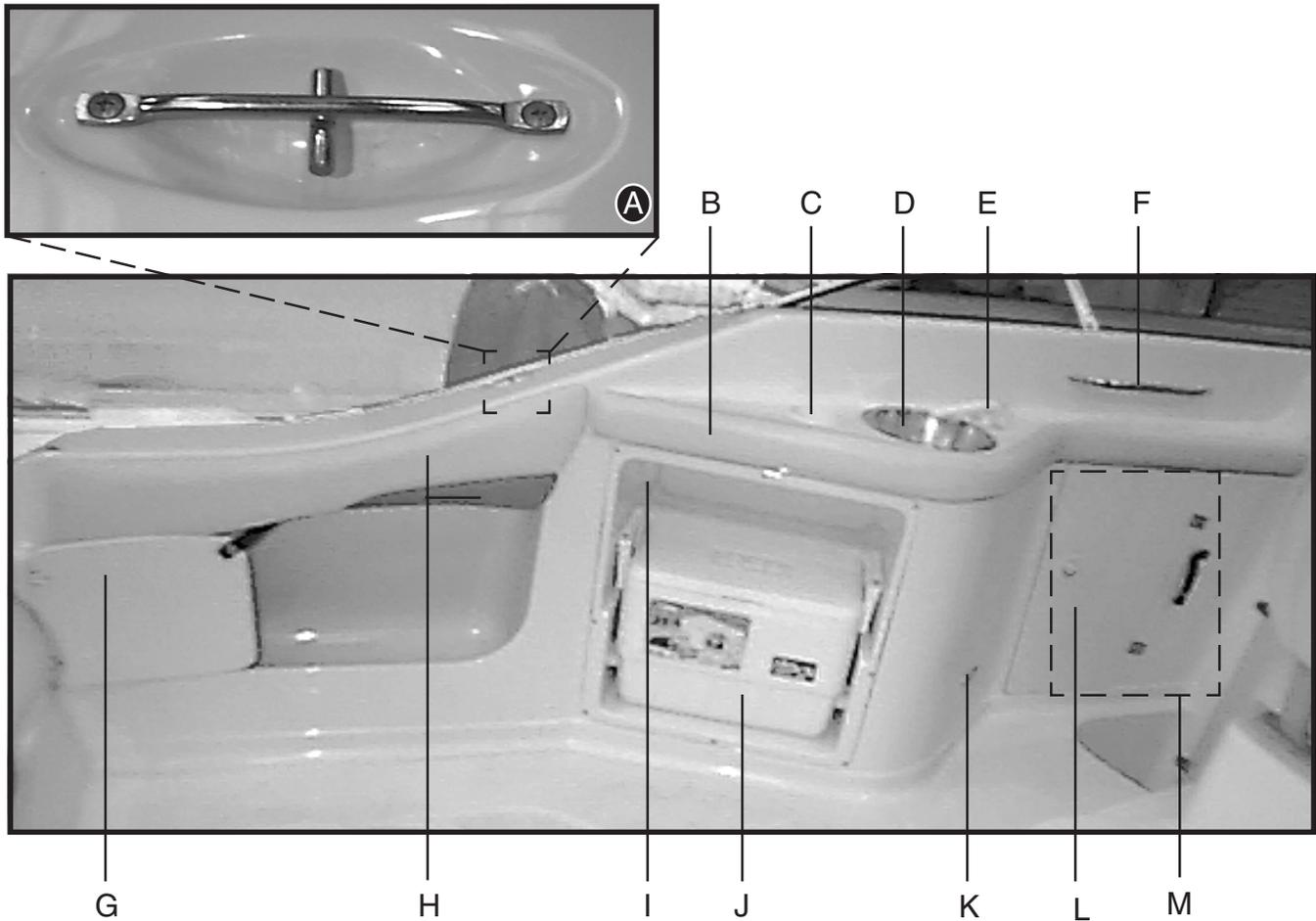
ITEM #	DESCRIPTION	PART #
A	CO DETECTOR(xintex)	18474
B	READING LIGHT (vertical mount)	501732
C	BATTERY BOX ASSEMBLY	56230
D	SPEAKER (kenwood, 80W)	95713
E	PRIVACY CURTAIN	UHD18G
F	SETTE CUSHION/HANGING LOCKER	UHD02A
G	AFT COCKPIT MATTRESS KEEPER	UHD01C
H	AFT CABIN MATTRESS	UHD01A
I	FIREWALL MUFF	UHD10D
J	CURTAIN TRACK	UHD18D
K	AUTO BILGE FUSE PANEL	6625
L	DUAL BATTERY SWITCH	147150

# 2465 AFT COCKPIT



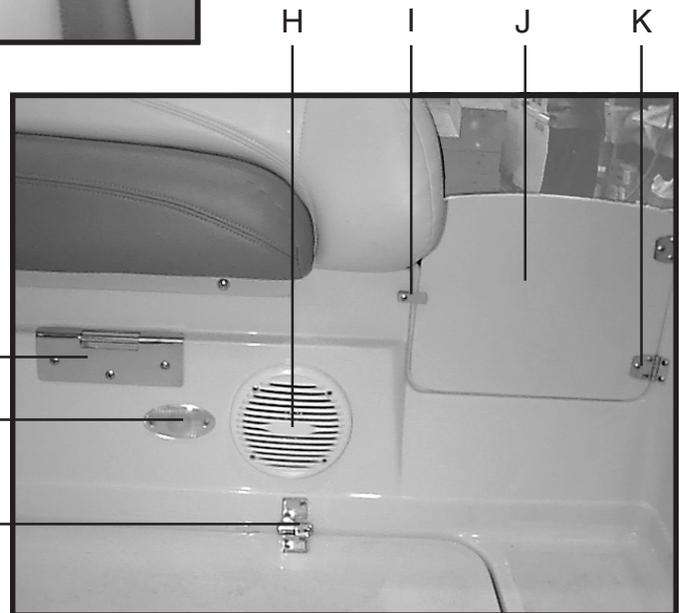
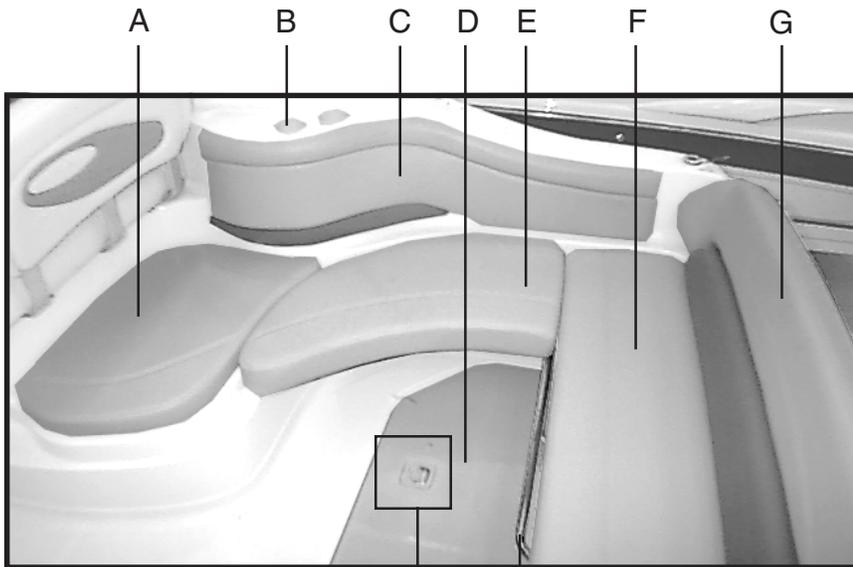
ITEM #	DESCRIPTION	PART #
A	SPEAKER (kenwood, 80w)	95713
B	FLAT/ELLIPTICAL LIGHT	501734
C	NMMA PLATE (gas)	2637
D	HELM SEAT	UHD13A
	HELM SEAT SLIDER (NS)	562170
E	AFT COCKPIT SEATING AREA	see next pages
F	WET BAR	see next pages

## 2465 AFT COCKPIT Cont.



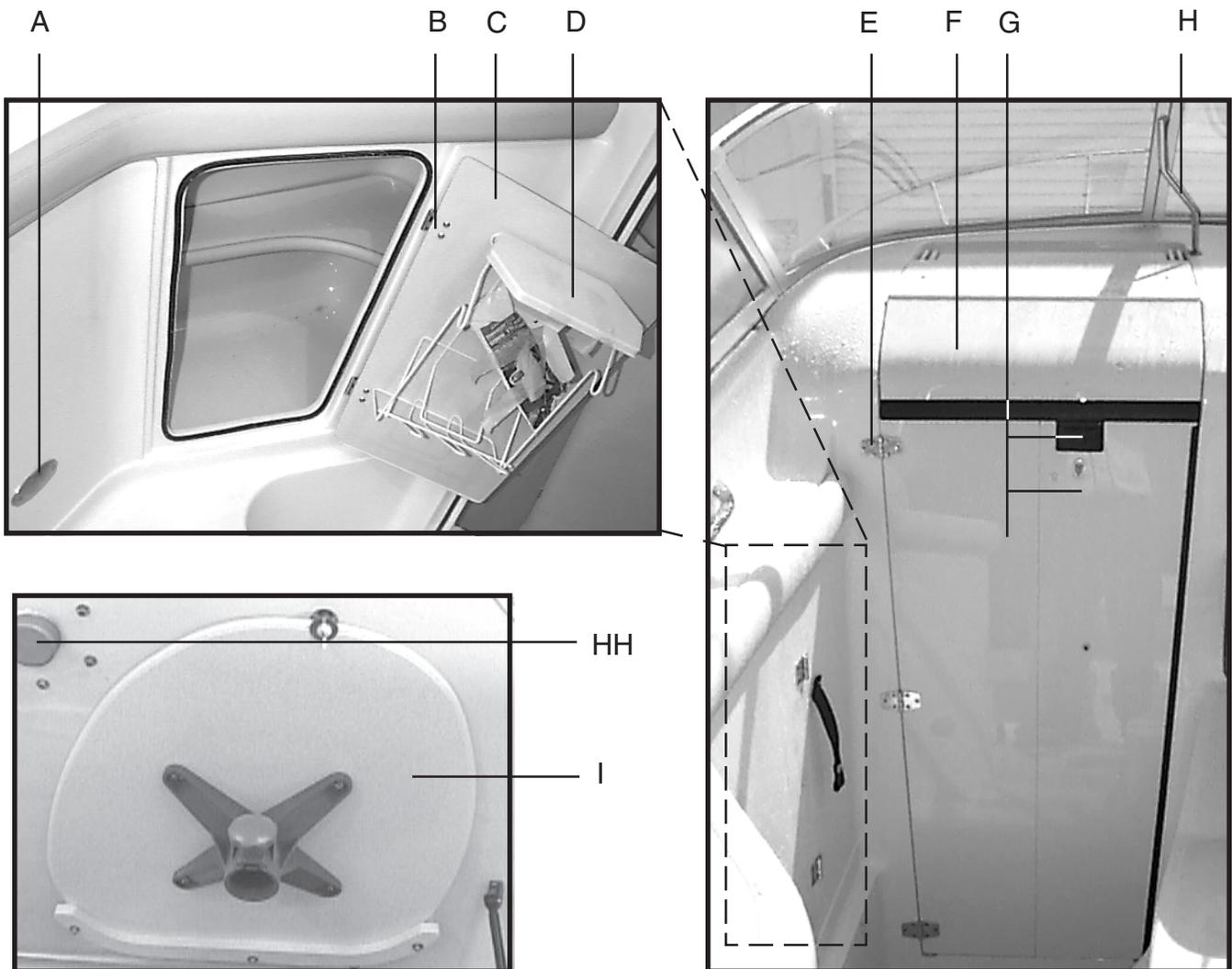
ITEM #	DESCRIPTION	PART #
A	FENDER STRAP HARDWARE	501064
B	PORT FWD COAMING PANEL	UHD17A
C	DRINK HOLDER (white diamond, XL)	13985
D	SINK (10-3/8" dia., S/S)	47151
E	FAUCET (cold water only)	47342
F	INTERIOR GRAB RAIL (S/S)	48851
G	TRANSOM DOOR	WHD25D
H	PORT AFT COAMING PANEL	UHD17B
I	STORAGE COOLER TUB	LHD21D
J	COOLER (igloo, 24qt.)	2106
K	FLAT/ELLIPTICAL LIGHT	501734
L	COCKPIT STORAGE DOOR	WHD25E
M	DISPOSAL BASKET SYSTEM	41623
N	HINGE-4 HOLE (1.5" X 2.375")	49104

# 2465 AFT COCKPIT Cont.



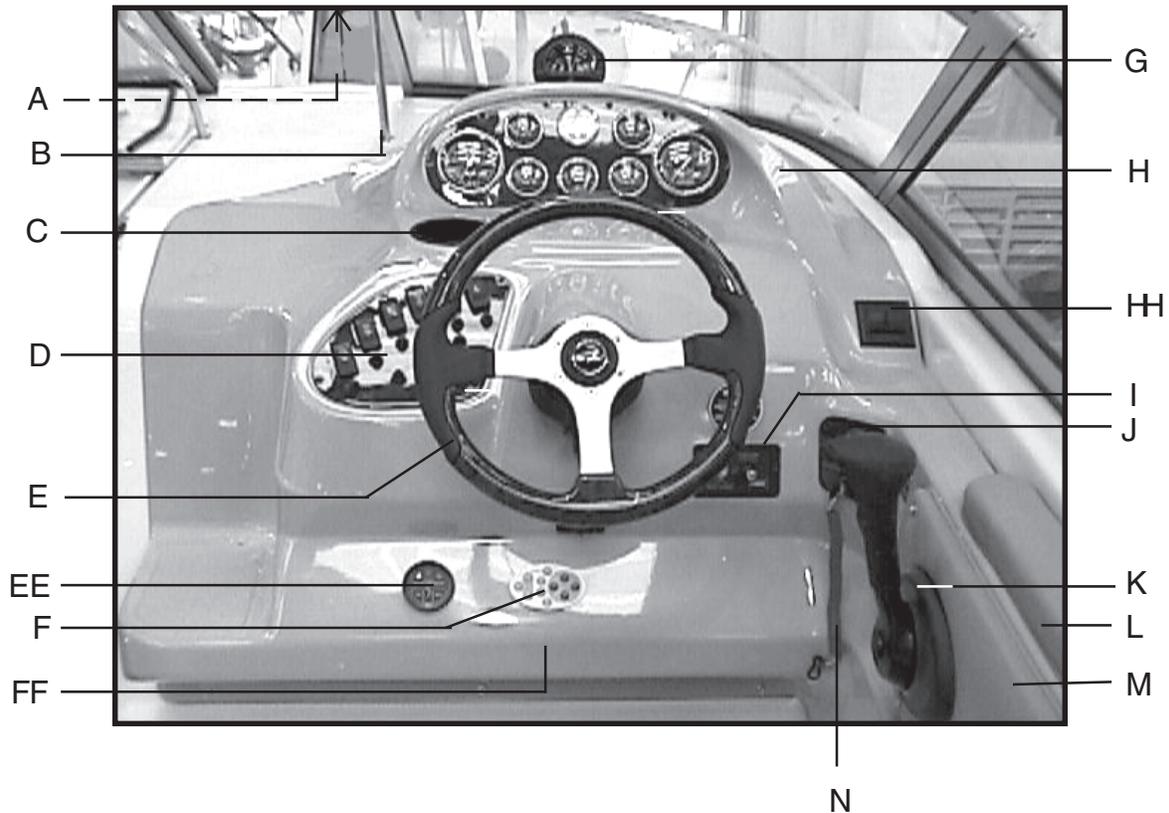
ITEM #	DESCRIPTION	PART #
A	FOWARD STERN SEAT CUSHION	UHD15C
B	DRINK HOLDER (white diamond, XL)	13985
C	CENTER STERN SEAT BACKREST	UHD15E
D	ENGINE HATCH	LHD21A
E	CENTER STERN SEAT CUSHION	UHD15B
F	AFT STERN SEAT CUSHION	UHD15A
G	AFT STERN SEAT BACKREST	UHD15D
H	SPEAKER (kenwood, 80w)	95713
I	TURN RETAINER (w/mointing pins)	501571
J	TRANSOM DOOR	WHD25D
K	DOOR HINGE (S/S, 1-1/2" x 2-1/4)	12911
L	AFT COCKPIT SEAT FRAME	6759
LL	LATCH- ENGINE HATCH	48948
M	AFT COCKPIT SEAT RECEIVERS	641550
N	FLAT/ELLIPTICAL LIGHT	501734
O	PULL APART HINGE LEFT	48932
	PULL APART HINGE RIGHT	48962

# 2465 AFT COCKPIT Cont.



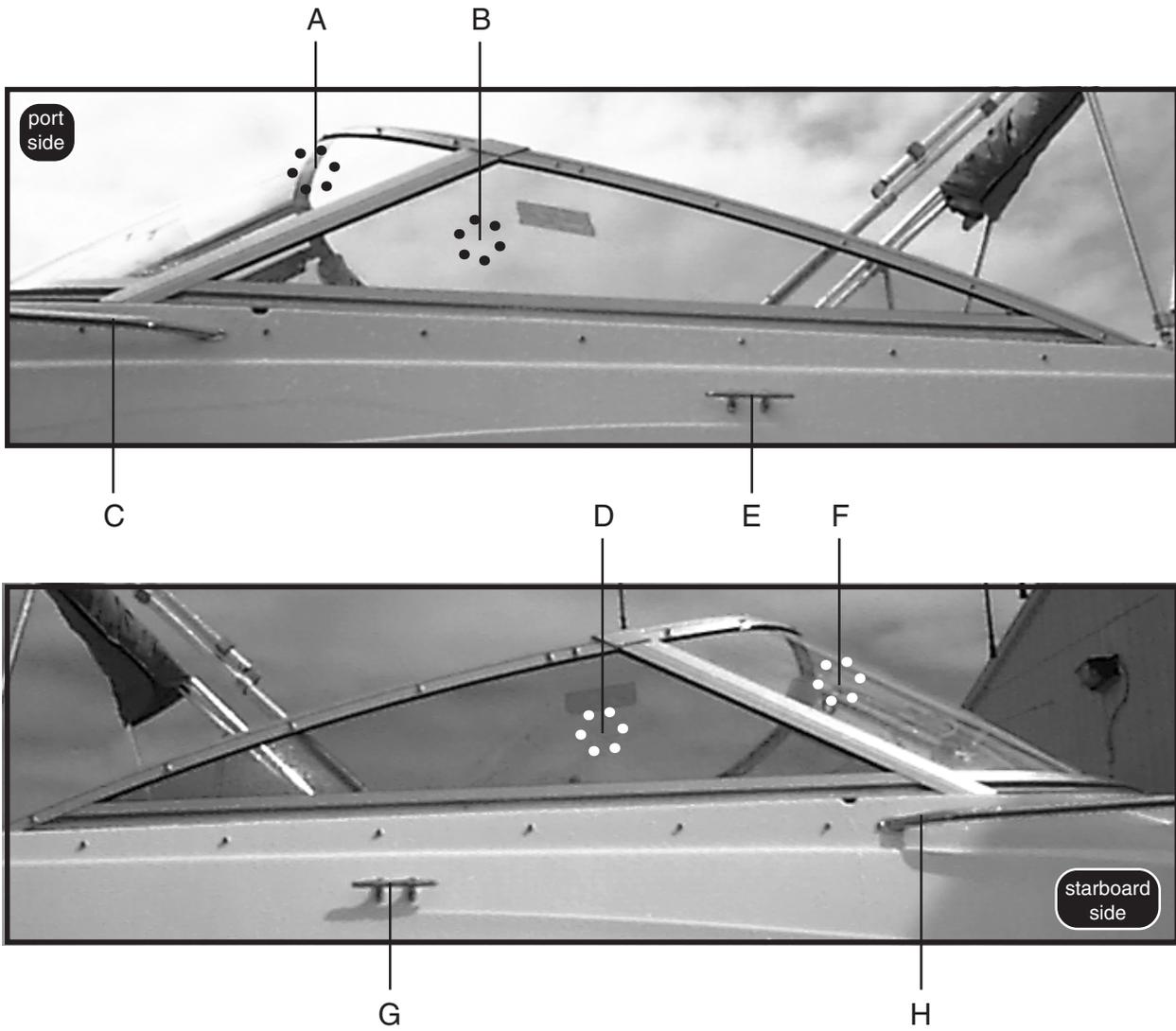
ITEM #	DESCRIPTION	PART #
A	FLAT/ELLIPTICAL LIGHT	501734
B	DOOR HINGE (1-1/2" x 2-1/4")	12911
C	COCKPIT STORAGE DOOR	WHD25E
D	DISPOSAL BASKET SYSTEM	41623
E	DOOR HINGE (3" x 3")	48944
F	COMPANIONWAY HATCH (hdwr incl)	6757
G	COMPANIONWAY DOOR (hdwr incl)	6756
H	PORT WINDSHIELD SUPPORT	11280
HH	COCKPIT TABLE PEDESTAL	18708
I	COCKPIT TABLE	(see options)

# 2465 STARBOARD DASH



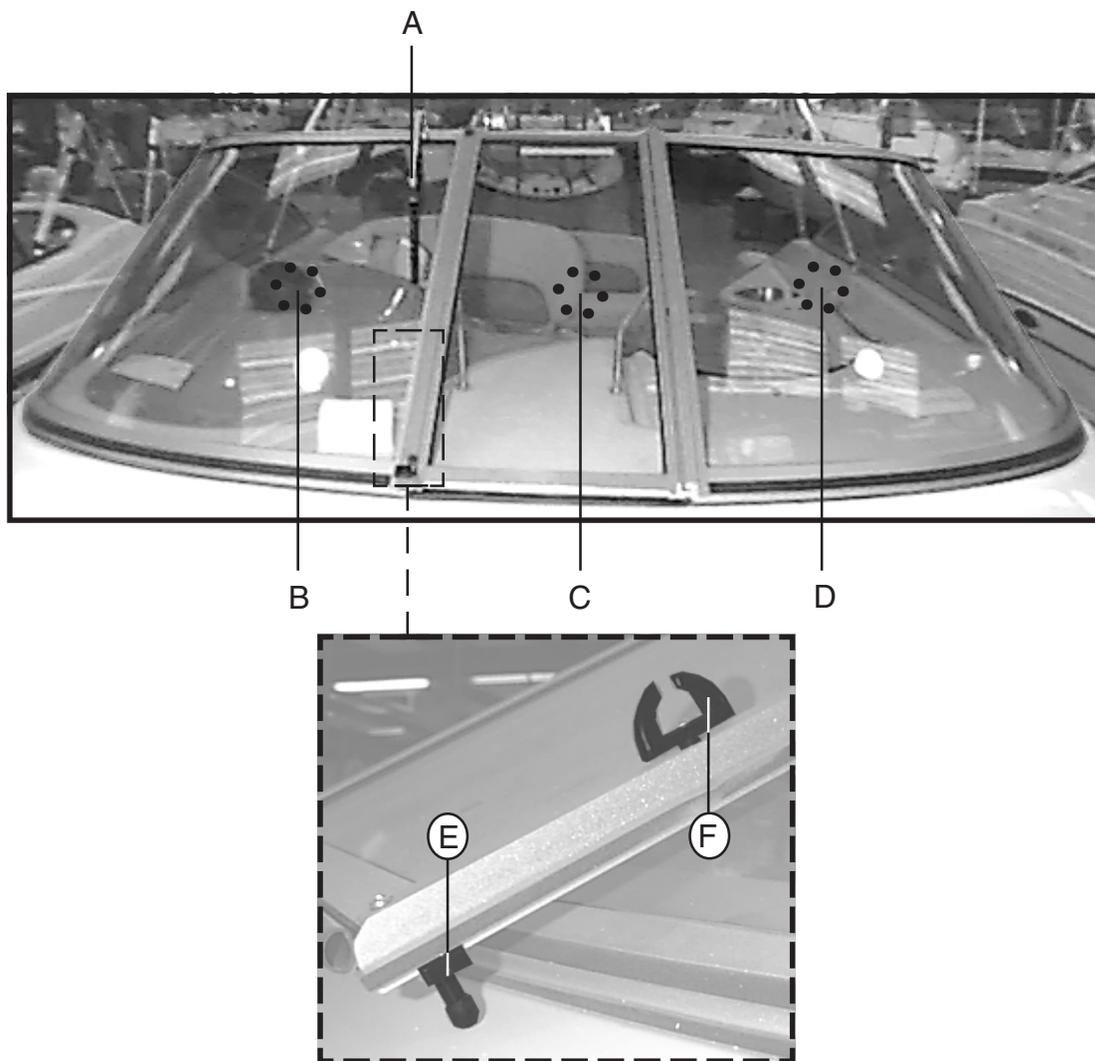
ITEM #	DESCRIPTION	PART #
A	WIPER	48344
	WIPER ARM (10" TO 14")	43339
	WIPER BLADE (16")	139242
B	STBD WINDSHIELD SUPPORT	11281
C	DRINK HOLDER (3/8" drain, XL, black)	13980
D	SWITCH PANEL	956648
E	STEERING WHEEL	7852
	REGAL LOGO "R" (stick-on)	4956
	STEERING TILT MECH (teleflex perf.)	59155
	STEERING RACK HELM UNIT	7884
	STEERING RACK (15')	7881
EE	GAS VAPOR DETECTOR	see options
F	STEREO REMOTE TOUCH PAD	95711
FF	DASH CONSOLE	LHD21E
G	COMPASS	64168
H	INSTRUMENT PANEL	956647
I	SPOT LIGHT CONTROL SWITCH (spot light option)	50602
J	IGNITION PANEL	956649
K	CONTROL (engine dependent)	N/A
L	CONSOLE ARMREST	UHD18C
M	SHIFTER CONTROL BOARD	UHD18B
N	LAYNARD	N/A

# 2465 WINDSHIELD HARDWARE



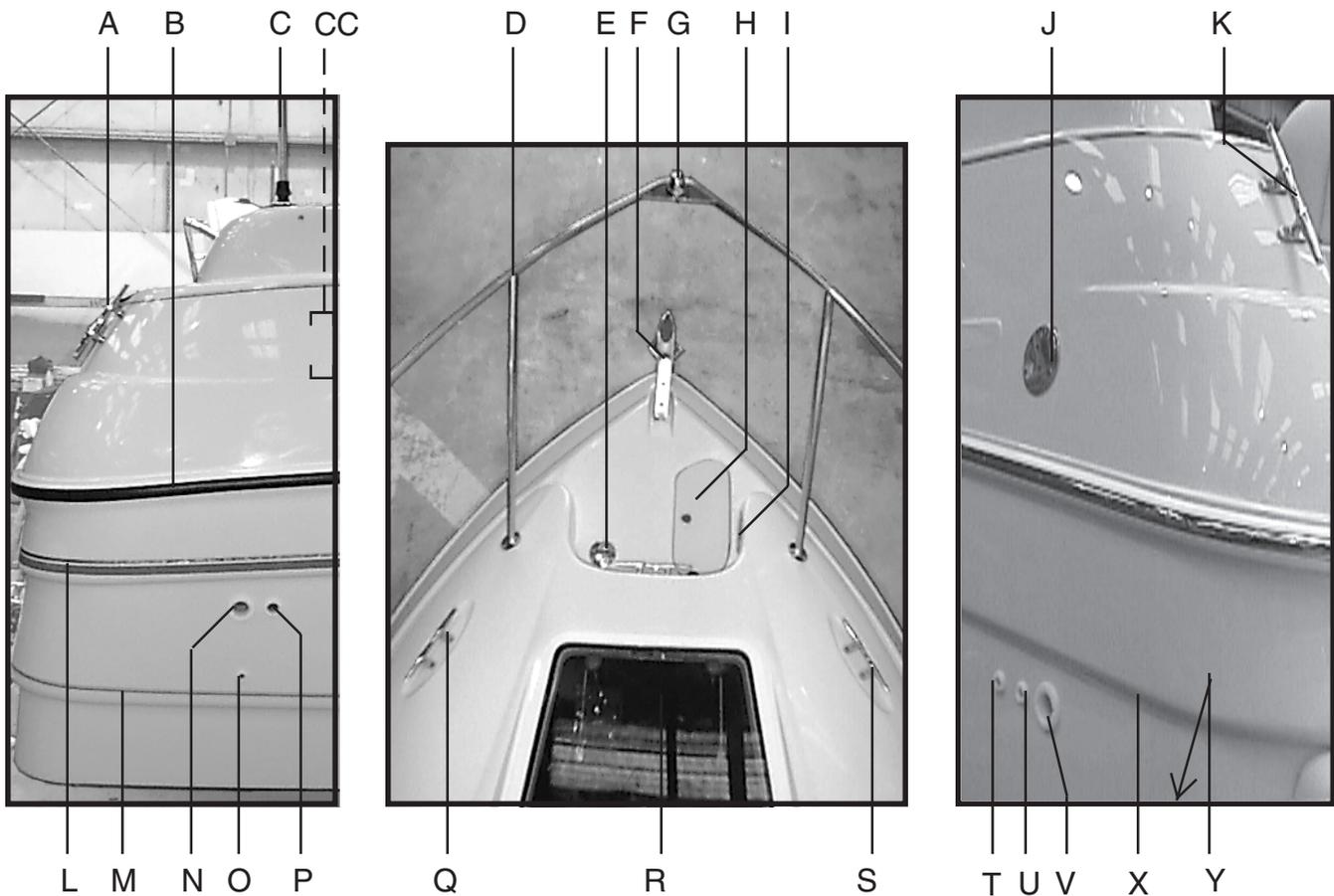
ITEM #	DESCRIPTION	PART #
A, B D & F	WINDSHIELD CLEAR FRONTS (bronze wings)	11313
C & H	BOW RAIL	70237
E & G	CLEAT (6" FENDER)	1312

# 2465 WINDSHIELD HARDWARE Cont.



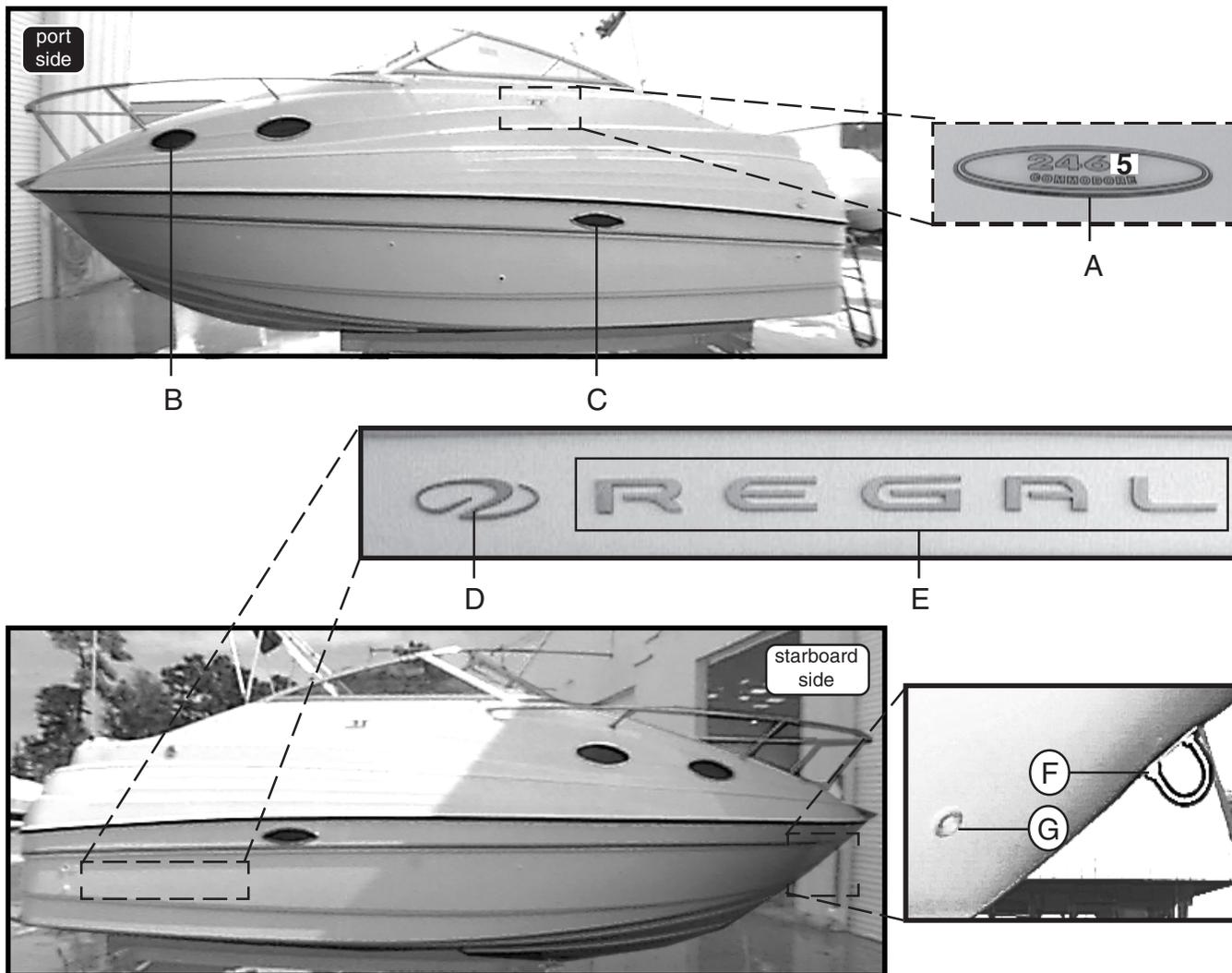
ITEM #	DESCRIPTION	PART #
A	WIPER ARM	43339
	WIPER BLADE (16", curved, lexan)	139242
B & D	WINDSHIELD CLEAR FRONTS (bronze wings)	11313
C	CENTER WALK-THRU (clear)	11315
E	WINDSHIELD RECESS BUMPER (black)	2021
F	WINDSHIELD ROUND TURN LOCK	2011
G	WINDSHIELD CENTER STRAP	UCA18C

# 2465 EXT. HARDWARE & GRAPHICS



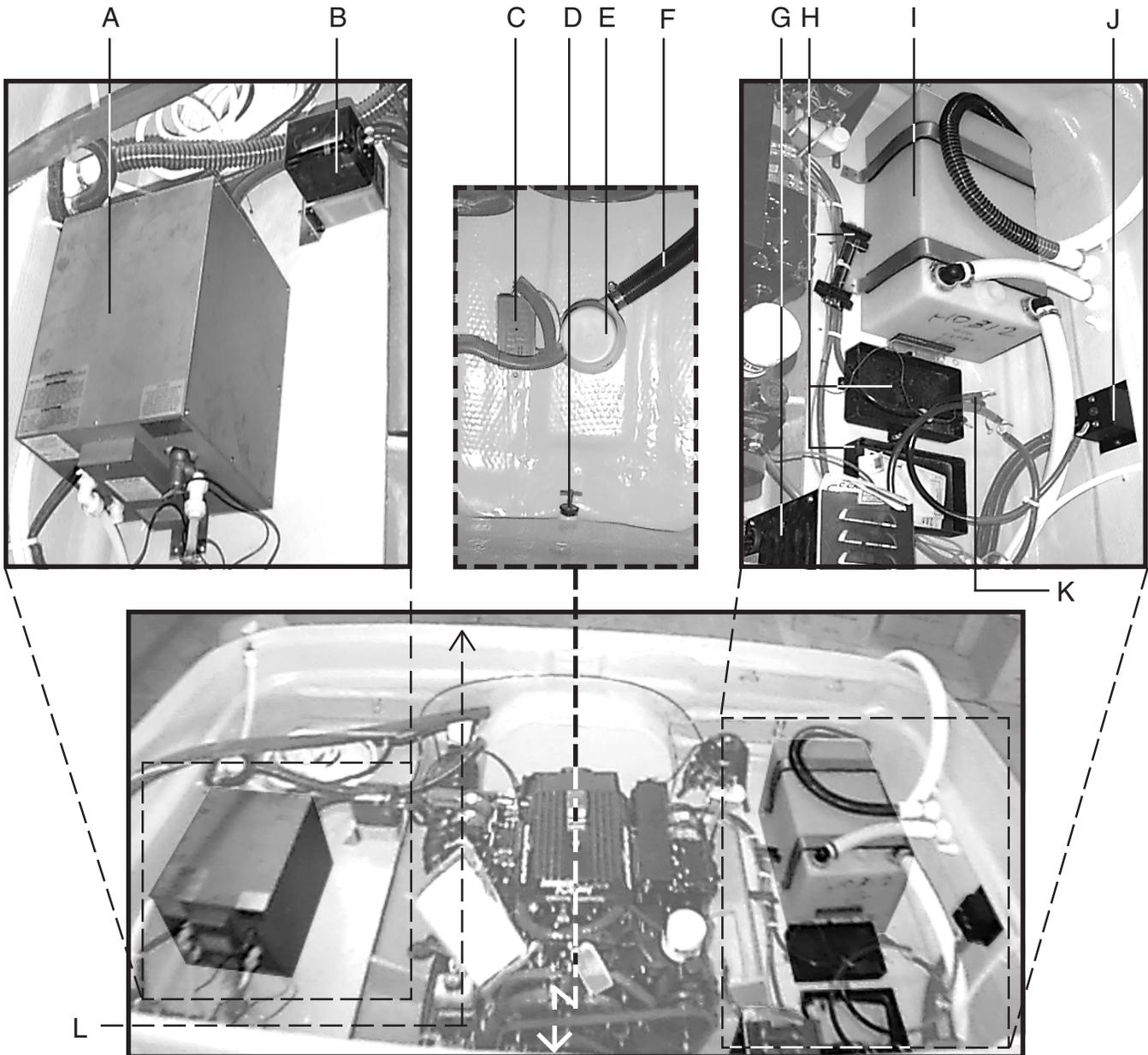
ITEM #	DESCRIPTION	PART #
A, K Q & S	CLEAT (8")	1316
B	RUB RAIL (WHITE, 20')	8719
	RUBRAIL (S/S, half oval, 3/4"x16')	48870
C	POLE LIGHT (64", allaround)	501719
	POLE LIGHT BASE (round)	501720
CC	FUEL FILL/ VENT (NOT SHOWN)	67165
D	BOW RAIL (S/S)	70237
E	WATER FILL CAST (S/S, 1-1/2")	6829
F	ANCHOR BOW ROLLER	47455
G	BOW LIGHT	1319
H	ROPE LOCKER LID	WHD25B
I	COMPACT ELECTRIC HORN	1487
J	WASTE DECK FITTING	6831
L, M X & Y	PIN/ BOOT STRIPE	see options
N, & V	THRU-HULL (1-1/2")	30105
O, T,U	THRU-HULL (5/8")	30101
P	THRU-HULL (1-1/8")	30102
R	HATCH FOREDECK TRAPZOID	502317
	HATCH RING	502322
	HATCH SCREEN	502323

# 2465 EXT. HARDWARE & GRAPHICS Cont.



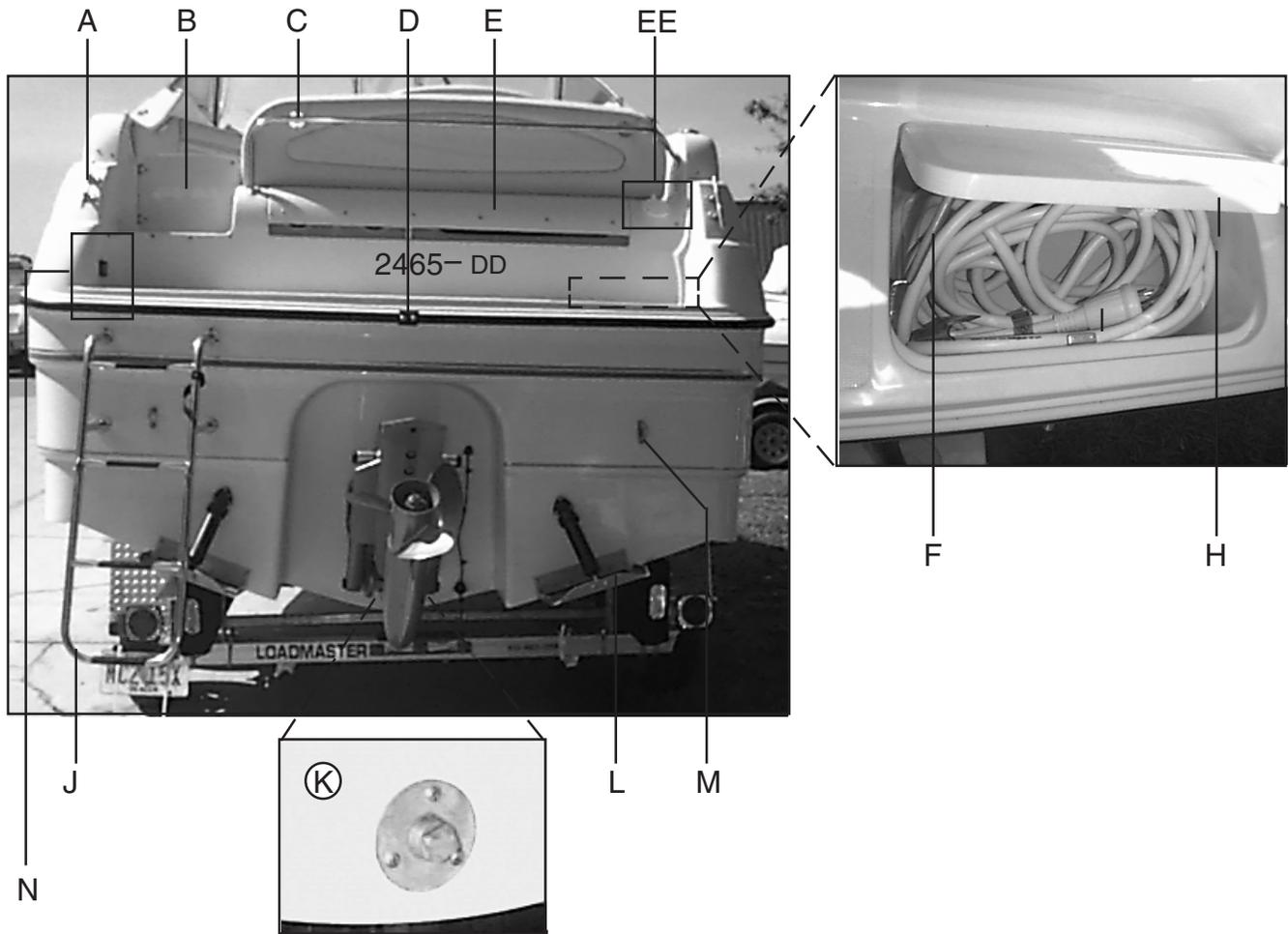
ITEM #	DESCRIPTION	PART #
A	2465 DESIGNATOR	10796
B	PORTHOLE-LARGE (plastic, S/S trim ring)	502343
C	PORTHOLE- SMALL	502344
D	GRAPHIC ICON	105314
E	REGAL LOGO GOLD (2")	10477
F	BOW EYE (1/2")	1329
G	FITTING THRU-HULL (3/4")	3010
	BIMINI TOP & BOAT (SEE COLOR OPTIONS)	N/A
	CAMPER CANVAS (SEE COLOR OPTIONS)	N/A

# 2465 SUMP



ITEM #	DESCRIPTION	PART #
A	HOT WATER (110v.)	1863
	HOT WATER (220v.)	18630
B	TRIM TAB PUMP	HD-TT
C	BILGE SWITCH ("SURE BAIL")	48324
D	DRAIN PLUG (1")	1012
E	BILGE PUMP (1500 gph.)	1371
F	BILGE FLEX HOSE (3/4")	1462
G	BATTERY CHARGER (15 AMP)	52604
H	BATTERY TRAYS (ea.)	1479
I	WATER TANK	66962I
	WASTE TANK	1039I
J	BREAKER ASSEMBLY (60 AMP)	56235
	FUEL TANK (NS)	68242
K	BOOT (BATTERY CABLE + )	12571
L	BLOWER (NOT SHOWN)	1401
	VENT HOSE (4", NOT SHOWN)	1784

# 2465 TRANSOM



ITEM	DESCRIPTION	PART #
A	8" CLEAT	1316
B	TRANSOM DOOR	WHD25D
C	BACKREST SUPPORT	490114
D	RUBRAIL ROPE COVER	10832
DD	GRAPHIC "2465" TRANSOM	100816
E	TRANSOM VENT	LXX21A
EE	TRANSOM SHOWER	5759
G	HINGE	1301
H	SHORE POWER CORD (50', 30 AMP)	50605
I	AFT STORAGE LID	LHD21C
	AFT STORAGE BOX (not shown)	LHD21J
J	SWIM LADDER	481486
JJ	STOP ENGINE WARNING LABEL (NS)	3241
K	GARBOARD DRAIN PLUG	1511
L	9" x 12" TRIM TABS	48302
	TRIM TAB OIL	18591
M	STERN EYE (1/2")	1326
N	REMOTE TILT SWITCH (NS),OPTION	47766

# 2465 CANVAS, OPTIONS, MISC.

DESCRIPTION	PART #
<b>• CANVAS</b>	
<b><u>BLUE TOPAZ (Captains Navy)</u></b>	
BIMINI TOP & BOOT .....	24294
COCKPIT COVER (option) .....	242014
BIMINI SIDE CURTAINS .....	242006
WINDSCREEN / VISOR .....	242002
CAMPER TOP .....	24295
CAMPER SIDES .....	242010
CAMPER AFT .....	242014
<b><u>LINEN TWEED (Taupe)</u></b>	
BIMINI TOP & BOOT .....	246017
COCKPIT COVER (option) .....	246016
SIDE CURTAINS .....	246013
WINDSCREEN / VISOR .....	246012
CAMPER TOP .....	246018
CAMPER SIDES .....	246014
CAMPER AFT .....	242015
<b><u>DUBONNET TWEED (Garnet Red)</u></b>	
BIMINI TOP & BOOT .....	246027
COCKPIT COVER (option) .....	246026
SIDE CURTAINS .....	246023
WINDSCREEN / VISOR .....	246022
CAMPER TOP .....	246028
CAMPER SIDES .....	246024
CAMPER AFT .....	246025
<b><u>EMERALD GREEN (Forest Green)</u></b>	
BIMINI TOP & BOOT .....	24290
COCKPIT COVER (option) .....	24214
SIDE CURTAINS .....	242005
WINDSCREEN / VISOR .....	242001
CAMPER TOP .....	24291
CAMPER SIDES .....	242009
CAMPER AFT .....	242013
<b><u>BLACK (BLACK ONYX)</u></b>	
BIMINI TOP & BOOT .....	246006
COCKPIT COVER (option) .....	250052
SIDE CURTAINS .....	246002
WINDSCREEN / VISOR .....	246001
CAMPER TOP .....	246007
CAMPER SIDES .....	246003
CAMPER AFT .....	246004

# 2465 CANVAS, OPTIONS, MISC.

## DESCRIPTION

## PART #

### • GELCOAT COLORS

ALPINE WHITE (Base Gel) .....	790303
TOPAZ BLUE .....	79017
CLASSIC RED .....	790306
EMERALD GREEN .....	605286
BLACK ONYX .....	605290
INTERIOR WHITE (Sump Area) .....	79020
CAPPUCCINO .....	790305
BLACK ONYX .....	790301

### • VINYL COLORS

PUTTY (Base Vinyl) .....	13514
PERFORATED ANTELOPE .....	13527
ANTELOPE (Flat Finish) .....	13516
CADDY MILKWEED .....	13531

### • CARPET

SETFO OYSTER .....	80000
--------------------	-------

### • GRAPHICS

#### PIN STRIPE

3/8" ANTELOPE / GOLD MYLAR .....	105450
3/8" TOPAZ BLUE / GOLD MYLAR .....	105458
3/8" CLASSIC RED / GOLD MYLAR .....	105451
3/8" EMERALD / GOLD MYLAR .....	105449
3/8" BLACK/ GOLD MYLAR .....	105469

#### BOOT STRIPE

2-1/2" ANTELOPE / GOLD MYLAR .....	105463
2-1/2" TOPAZ BLUE / GOLD MYLAR .....	105457
2-1/2" CLASSIC RED / GOLD MYLAR .....	105515
2-1/2" EMERALD / GOLD MYLAR .....	105465
2-1/2" BLACK/ GOLD MYLAR .....	105468

### • OPTIONS

220V ALCOHOL / ELECTRIC STOVE.....	HD-2VAES
220V HOT WATER HEATER.....	HD-2VHW
ANCHOR WINDLASS (anchor & chain included).....	HD-WA
AUTOMATIC FIRE EXTINGUISHER.....	HD-FX
COCKPIT CARPET .....	HD-CCR
COCKPIT TABLE W/ FILLER CUSHIONS.....	HD-CTFC
EXTENDED FIBERGLASS SWIM PLATFORM.....	HD-FSP
FOREDECK SUNPAD.....	HD-FDS
GAS VAPOR DETECTOR.....	HD-GVD

# 2465 CANVAS, OPTIONS, MISC.

## DESCRIPTION

## PART #

• **OPTIONS (CONT.)**

GRAY WATER SYSTEM .....	HD-GW
MICROWAVE .....	HD-MW
SPOTLIGHT .....	HD-SPL
STEREO: TRANSOM REMOTE .....	HD-CDPTR
STEREO: PREMIUM W/ AMP, UPGRADED SPRS, 6 STACK CHANGER..	HD-CDPC
TOILET: OVERBOARD DISCHARGE PUMP .....	HD-OD
TOILET: VACU-FLUSH (EXCHANGE FOR MARINE HEAD) .....	HD-VT
WIRE for WINDLASS .....	HD-WWA
WEEKENDER PACKAGE: DOCKSIDE POWER W/ CORD, BATTERY CHARGER, 110 VOLT OUTLETS, GALLEY REFRIGERATOR, GALVANIC ISOLATOR, MARINE HEAD W/ HOLDING TANK, WATER HEATER, BIMINI CAMPER/CABANA CANVAS, TRANSOM SHOWER, DOCKSIDE WATER INLET & ELECTRIC STOVE	

• **REGAL OWNER'S MANUAL**

SPORT CRUISER.....	783014
--------------------	--------