



Ingersoll-Rand®

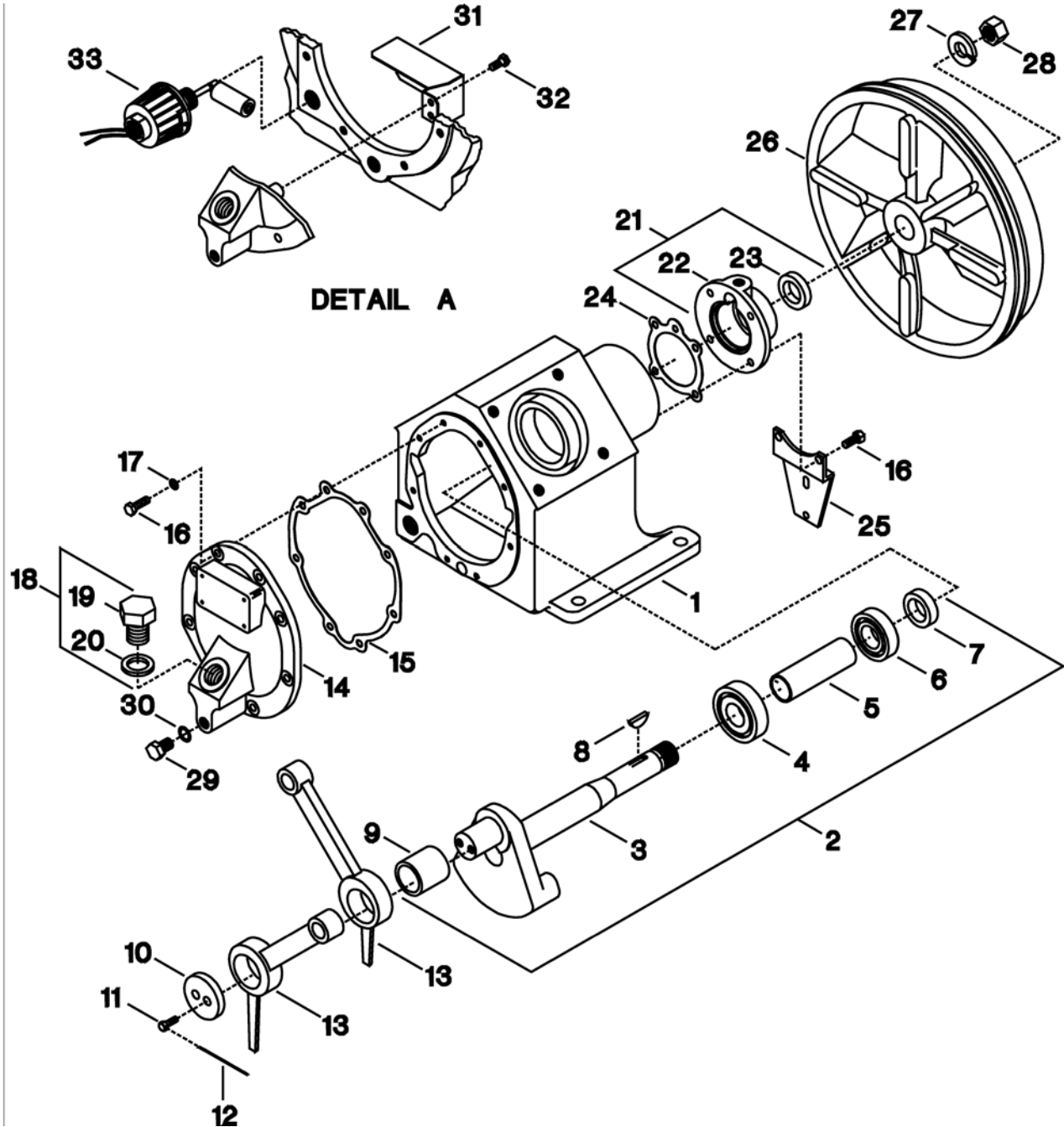
2475
Air Compressor
Parts List

C.C.N : 22400394
REV. : A
DATE : JANUARY 2004



A series of horizontal lines for writing, starting from the top right of the pen icon and extending across the width of the page. The lines are evenly spaced and cover most of the page's vertical space.

FIGURE 1. COMPRESSOR FRAME ASSEMBLY.



| ITEM | CCN | DESCRIPTION | QTY | ITEM | CCN | DESCRIPTION | QTY |
|------|----------|--------------------------------|-----|------|----------|----------------------------------|-----|
| 1-1 | 32247728 | FRAME, COMPRESSOR | 1 | 1-16 | 95105250 | CAPSCREW, HEX - 5/16-18 X 1" | 12 |
| 1-2 | 32496507 | ASSEMBLY, CRANKSHAFT COMPLETE | 1 | 1-17 | 95674651 | GASKET, COPPER WASHER - 5/16" | 8 |
| 1-3 | NSS | • CRANKSHAFT | 1 | 1-18 | 32279549 | PLUG, OIL FILLER - COMPLETE | 1 |
| 1-4 | 32248122 | • BEARING, BALL | 1 | 1-19 | NSS | PLUG, OIL FILLER | 1 |
| 1-5 | 32006496 | • SPACER, CRANKSHAFT BEARING | 1 | 1-20 | 32247850 | O-RING, OIL FILLER PLUG | 1 |
| 1-6 | 95134185 | • BEARING, BALL WITH SNAP RING | 1 | 1-21 | 97331060 | ASSEMBLY, SHAFT END COVER | 1 |
| 1-7 | 37127669 | • RING, BEARING RETAINER | 1 | 1-22 | NSS | L COVER, SHAFT END | 1 |
| 1-8 | 95433173 | • KEY, WOODRUFF | 1 | 1-23 | 32499923 | L SEAL | 1 |
| 1-9 | 30210199 | • BUSHING, CRANKPIN | 1 | 1-24 | 32247876 | GASKET, SHAFT END COVER | 1 |
| 1-27 | 95081808 | • LOCKWASHER, SPRING - 3/4" | 1 | 1-25 | 32157349 | BRACKET, INTERCOOLER CLAMP | 1 |
| 1-28 | 95076816 | • NUT, HEX | 1 | 1-26 | 32496432 | BELT WHEEL ELECTRIC MOTOR DRIVE | 1 |
| 1-10 | 30210298 | CAP, CRANKPIN | 1 | 1-26 | 32496424 | BELT WHEEL GASOLINE ENGINE DRIVE | 1 |
| 1-11 | 95101911 | CAPSCREW | 2 | 1-29 | 95053526 | CAPSCREW, HEX - 1/2-13 X 3/4" | 1 |
| 1-12 | 37605193 | LOCKWIRE | 1 | 1-30 | 95674701 | GASKET, COPPER | 1 |
| 1-13 | 32004152 | ROD, CONNECTING | 2 | 1-31 | 32295222 | BAFFLE, OIL LEVEL SWITCH | 1 |
| 1-14 | 32496663 | COVER, FRAME END | 1 | 1-32 | 95053070 | CAPSCREW | 2 |
| 1-15 | 32247884 | GASKET, FRAME END COVER | 1 | 1-33 | 22102388 | KIT, LOW OIL LEVEL SWITCH | 1 |

FIGURE 2. HIGH PRESSURE VALVE PLATE ASSEMBLY.

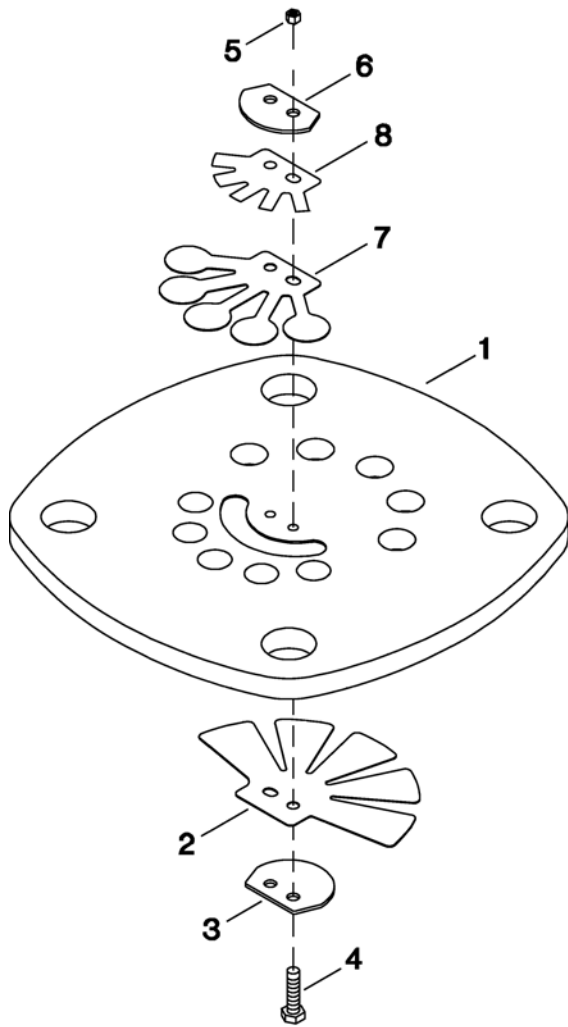
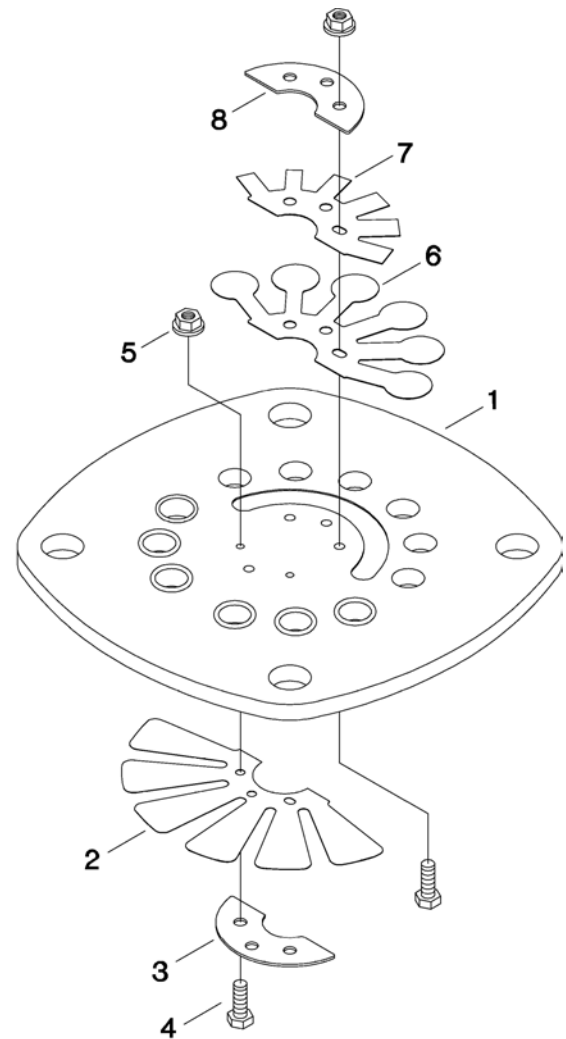


FIGURE 3. LOW PRESSURE VALVE PLATE ASSEMBLY.



| ITEM | CCN | DESCRIPTION | QTY |
|------|----------|---------------------------------------|-----|
| REF. | 32310799 | ASSEMBLY, VALVE PLATE - HIGH PRESSURE | 1 |
| 2-1 | NSS | PLATE, VALVE - HIGH PRESSURE | 1 |
| 2-2 | 32236671 | VALVE, FINGER - INLET | 1 |
| 2-3 | 32297343 | RETAINER, VALVE HP | 1 |
| 2-4 | 97511042 | SCREW, HEX HEAD - M3 X 16 | 2 |
| 2-5 | 97511059 | NUT, HEX - M3 WITH LOCKWASHER | 2 |
| 2-6 | 32295461 | RETAINER, FINGER VALVE - DISCHARGE | 1 |
| 2-7 | 32241010 | VALVE, FINGER - DISCHARGE | 1 |
| 2-8 | 32295479 | VALVE, DAMPER - DISCHARGE | 1 |

| ITEM | CCN | DESCRIPTION | QTY |
|------|----------|--------------------------------|-----|
| REF. | 32248205 | ASSEMBLY, VALVE PLATE | 1 |
| 3-1 | NSS | PLATE, VALVE - LOW PRESSURE | 1 |
| 3-2 | 32248130 | VALVE, FINGER - INLET | 1 |
| 3-3 | 32248148 | RETAINER, FINGER VALVE - INLET | 1 |
| 3-4 | 32247512 | SCREW, HEX HEAD - M4 X 12 | 6 |
| 3-5 | 32248171 | NUT, HEX - M4 WITH LOCKWASHER | 6 |
| 3-6 | 32248155 | VALVE, FINGER - DISCHARGE | 1 |
| 3-7 | 32294464 | VALVE, DAMPER - DISCHARGE | 1 |
| 3-8 | 32248163 | VALVE, RETAINER - DISCHARGE | 1 |

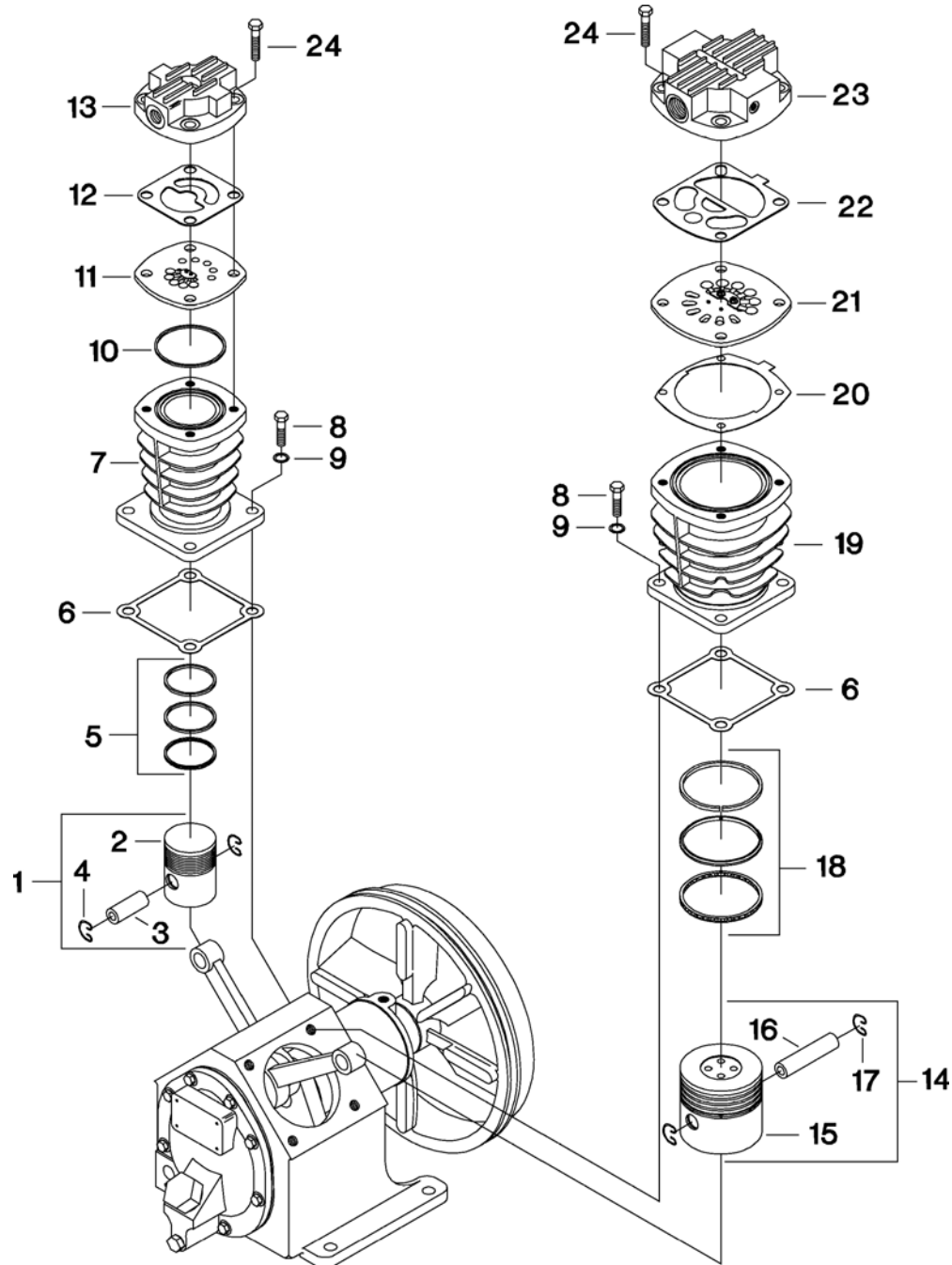
FASTENER TORQUE REQUIREMENTS FOR BARE COMPRESSOR PUMP

Torque values for critical nut, bolt, and capscrew fasteners are listed below.

Gradually and evenly in two stages, tighten each fastener to the final torque using a criss-cross tightening sequence. Use only calibrated torque wrenches.

| THREADED FASTENER LOCATION | TORQUE |
|----------------------------|-------------|
| HIGH PRESSURE HEAD BOLT | 75 |
| LOW PRESSURE HEAD BOLT | 75 |
| CYLINDER FLANGE | 50 |
| FRAME END COVER | 17 |
| SHAFT END COVER | 17 |
| CRANKPIN CAP | 11 |
| HIGH PRESSURE VALVE - IN | 11-15 IN LB |
| LOW PRESSURE VALVE - IN | 25-30 IN LB |
| HIGH PRESSURE VALVE - OUT | 11-15 IN LB |
| LOW PRESSURE VALVE - OUT | 25-30 IN LB |
| BELT WHEEL | 60 |

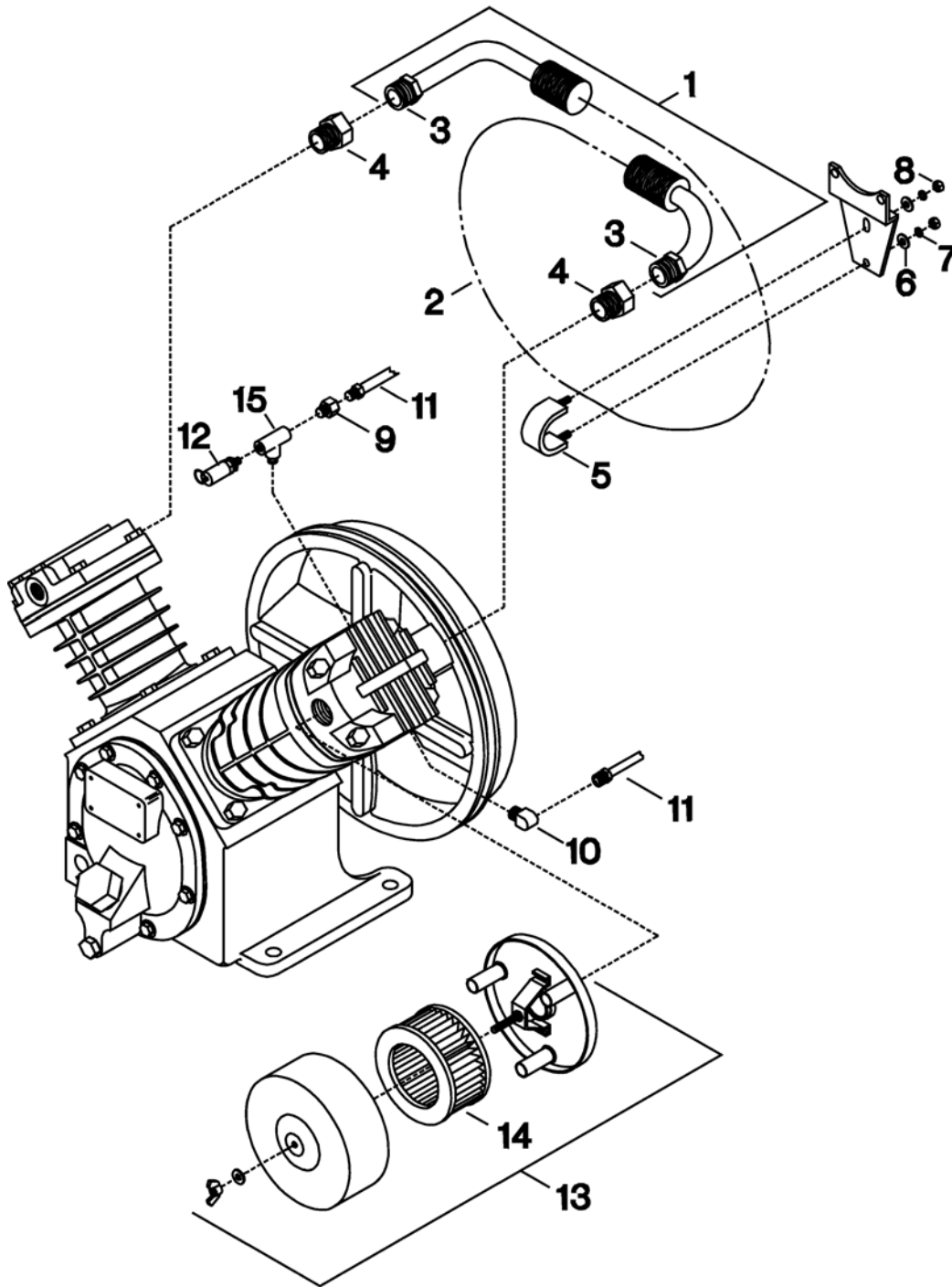
FIGURE 4. MODEL 2475 BARE COMPRESSOR PUMP.



| ITEM | CCN | DESCRIPTION | QTY |
|------|----------|--|-----|
| 4-1 | 32496598 | PISTON, AIR - COMPLETE - 2.5" HIGH PRESSURE | 1 |
| 4-2 | NSS | PISTON - AIR - 2.5" | 1 |
| 4-3 | 30287783 | PIN, PISTON | 1 |
| 4-4 | 30298020 | RING, LOCK | 2 |
| 4-5 | 32307910 | SET, PISTON RING - 2.5" | 1 |
| 4-6 | 32247868 | GASKET, CYLINDER/FLANGE | 2 |
| 4-7 | 32247652 | CYLINDER - 2.5" - HIGH PRESSURE | 1 |
| 4-8 | 95053567 | CAPSCREW, HEX - 1/2-13 X 1-1/4" | 8 |
| 4-9 | 95674701 | GASKET, COPPER - 1/2" | 8 |
| 4-10 | 32246878 | O-RING, VALVE PLATE - HIGH PRESSURE | 1 |
| 4-11 | 32310799 | ASSEMBLY, VALVE PLATE - HIGH PRESSURE (SEE FIGURE 2) | 1 |
| 4-12 | 32247926 | GASKET, AIRHEAD - HIGH PRESSURE | 1 |

| ITEM | CCN | DESCRIPTION | QTY |
|------|----------|---|-----|
| 4-13 | 32247827 | AIRHEAD - HIGH PRESSURE | 1 |
| 4-14 | 32496564 | PISTON, AIR - COMPLETE - 4" - LOW PRESSURE | 1 |
| 4-15 | NSS | PISTON, AIR - 4" | 1 |
| 4-16 | 30288393 | PIN, PISTON | 1 |
| 4-17 | 30298020 | RING, LOCK | 2 |
| 4-18 | 32307928 | SET, PISTON RING - 4" | 1 |
| 4-19 | 32293540 | CYLINDER, - 4" LOW PRESSURE | 1 |
| 4-20 | 32248197 | GASKET, VALVE PLATE - LOW PRESSURE | 1 |
| 4-21 | 32248205 | ASSEMBLY, VALVE PLATE - LOW PRESSURE (SEE FIGURE 3) | 1 |
| 4-22 | 32248189 | GASKET, AIRHEAD - LOW PRESSURE | 1 |
| 4-23 | 32293557 | AIRHEAD - LOW PRESSURE | 1 |
| 4-24 | 95104188 | CAPSCREW, HEX - 1/2-13 X 1-3/4" | 8 |

FIGURE 5. TYPICAL MODEL 2475 INTERCOOLER ASSEMBLY.



| ITEM | CCN | DESCRIPTION | QTY | ITEM | CCN | DESCRIPTION | QTY |
|------|----------|---------------------------|-----|------|----------|--------------------------------------|-----|
| 5-1 | 32499196 | ASSEMBLY, INTERCOOLER | 1 | 5-11 | 32247892 | ASSEMBLY, TUBE - BREATHER | 1 |
| 5-2 | NSS | • INTERCOOLER | 1 | 5-12 | 72062185 | VALVE, RELIEF - 80 PSIG | 1 |
| 5-3 | 95108577 | • NUT, TUBE - 3/4" | 2 | 5-13 | 32170953 | FILTER, INLET - COMPLETE - 10 MICRON | 1 |
| 5-4 | 95083275 | CONNECTOR, TUBE | 2 | 5-14 | 32170979 | ELEMENT, FILTER - 10 MICRON | 1 |
| 5-5 | 32247942 | CLAMP, INTERCOOLER | 1 | 5-13 | 37170834 | FILTER, INLET - COMPLETE - 4 MICRON | 1 |
| 5-6 | 95094298 | WASHER, FLAT - 1/4" | 2 | 5-14 | 32165466 | ELEMENT, FILTER - 4 MICRON | 1 |
| 5-7 | 95648150 | LOCKWASHER, SPRING - 1/4" | 2 | 5-15 | 37143542 | ELBOW, STREET | 1 |
| 5-8 | 95416335 | NUT, HEX - 1/4-20 | 2 | | | | |
| 5-9 | 95082483 | CONNECTOR, TUBE | 1 | | | | |
| 5-10 | 95031860 | ELBOW, TUBE | 1 | | | | |

SIMPLEX ELECTRIC MOTOR MODELS

AIR COMPRESSOR PUMP

| CCN | DESCRIPTION | QTY |
|----------|--|-----|
| 32304370 | AIR COMPRESSOR PUMP GROUP | 1 |
| 95114476 | PUMP, BARE COMPRESSOR CAPSCREW, HEX - 1/2-13 X 1-1/2 (TO MOUNT PUMP TO BASE) | 4 |
| 95458808 | NIPPLE, CLOSE 3/4 X 1-3/8 | 1 |
| 95716890 | LOCKWASHER, SPRING - 1/2 (FOR PUMP MOUNTING CAPSCREWS) | 4 |

CONTROLS

| CCN | DESCRIPTION | QTY |
|----------|---|-----|
| | COMMON | |
| 31385693 | VALVE, SAFETY / RELIEF - 200 PSIG | 1 |
| 32174286 | VALVE, SAFETY / RELIEF (DISCHARGE) - 325 PSIG | 1 |
| 32499816 | GAUGE, AIR PRESSURE - 0-300 PSIG, 1/4 NPT, 9 O'CLOCK | 1 |
| 32179038 | PLUG, PIPE - 1/4 | 1 |
| | CENTER DISCHARGE UNITS | |
| 56288772 | SWITCH, PRESSURE - SIEMENS W / UNLOADER VALVE & LEVER | 1 |
| 32333072 | ASSEMBLY, TUBE - PRESSURE SWITCH TO CHECK VALVE | 1 |
| 32499626 | ASSEMBLY, DISCHARGE TUBE | 1 |
| 85582229 | VALVE, CHECK - 5/8 T X 3/4 NPT | 1 |
| 32145088 | ELBOW, TUBE - 3/4 X 3/4 WITH PORT | 1 |
| 95031795 | TUBE ELBOW - 5/8 X 1/2 | 1 |
| 95426714 | NIPPLE, CLOSE - 1/4 X 7/8 | 1 |
| | FULLY PACKAGED UNITS | |
| 56288764 | SWITCH, PRESSURE - SIEMENS W / UNLOADER VALVE (FULLY PACKAGED UNITS) | 1 |
| 32221228 | TEE, MALE BRANCH -1/4 | 1 |
| 32322281 | ASSEMBLY, TUBE - PRESSURE SWITCH TO CHECK VALVE 2475N NEMA 1 IFCV | 1 |
| 32322299 | ASSEMBLY, TUBE - PRESSURE SWITCH TO CHECK VALVE 2475D NEMA 1 IFCV | 1 |
| 32323172 | ASSEMBLY, TUBE - UNL 2475N7.5 PRESS SW TO CK VLV W/ROT SWITC | 11 |
| 32323396 | ASSEMBLY, TUBE - MM/CK VLV/ACA C 2475N (INV CK VLV) | 1 |
| 32323404 | ASSEMBLY, TUBE - N4 PS/CK VLV 2475D (INV CK VLV) | 1 |
| 32323412 | ASSEMBLY, TUBE - MM/CK VLV/TEB G 2475N | 1 |
| 32333098 | ASSEMBLY, TUBE - PRESSURE SWITCH TO CHECK VALVE 2475N (SIEMENS) | 1 |
| 32333106 | ASSEMBLY, TUBE - PRESSURE SWITCH TO CHECK VALVE 2475D (SIEMENS) | 1 |
| 32333114 | ASSEMBLY, TUBE - PRESSURE SWITCH TO CHECK VALVE 2475N7.5 (SIEMENS) | 1 |
| 32334849 | ASSEMBLY, TUBE - PRESSURE SWITCH TO CHECK VALVE 2475N5 | 1 |
| 32334872 | ASSEMBLY, TUBE - PRESSURE SWITCH TO CHECK VALVE 2475N7.5 | 1 |
| 32334880 | ASSEMBLY, TUBE - PRESSURE SWITCH TO CHECK VALVE 2475D5 | 1 |
| 32209157 | NIPPLE, LONG - 1/4 X 5 | 1 |
| 95082467 | CONNECTOR, MALE - 1/4 X 1/4 | 1 |

AIR RECEIVER TANK

| CCN | DESCRIPTION | QTY |
|----------|---|-----|
| 97336259 | TANK, AIR RECEIVER - 80 GALLON VERTICAL (CENTER DISCHARGE UNITS) | 1 |
| 32496499 | TANK, AIR RECEIVER - 80 GALLON VERTICAL (FULLY PACKAGED UNITS) | 1 |
| 32498768 | TANK, AIR RECEIVER - 80 GALLON HORIZONTAL (175 PSIG UNITS) | 1 |
| 32251837 | TANK, AIR RECEIVER - 80 GALLON HORIZONTAL (250 PSIG UNITS) | 1 |
| 32223596 | VALVE, BALL - 3/4 (CENTER DISCHARGE UNITS) | 1 |
| 32106569 | VALVE, BALL - 3/4 (FULLY PACKAGED UNITS) | 1 |
| 32027120 | VALVE, MANUAL DRAIN (CENTER DISCHARGE UNITS) | 1 |

BASEPLATE

| CCN | DESCRIPTION | QTY |
|----------|---|-----|
| 32195224 | BASEPLATE PACKAGE GROUP | 1 |
| 32333445 | ASSEMBLY, SUBBASE | 1 |
| 32048993 | ASSEMBLY, PRESSURE SWITCH TUBE CLAMP | 2 |

STARTERS

| CCN | DESCRIPTION | QTY |
|----------|--|-----|
| | CENTER DISCHARGE UNITS | |
| 56272305 | STARTER, 5HP - 200-1-60 | 1 |
| 56272040 | STARTER, 5HP - 230-1-60 | 1 |
| 56272057 | STARTER, 5HP - 200-3-60 | 1 |
| 56272222 | STARTER, 5HP - 230-3-60 | 1 |
| 56272230 | STARTER, 5HP - 460-3-60 | 1 |
| 56272164 | STARTER, 5HP - 575-3-60 | 1 |
| 56272297 | STARTER, 7.5HP - 230-1-60 | 1 |
| 56272198 | STARTER, 7.5HP - 200-3-60 | 1 |
| 56272131 | STARTER, 7.5HP - 230-3-60 | 1 |
| 56272149 | STARTER, 7.5HP - 460-3-60 | 1 |
| 56272214 | STARTER, 7.5HP - 575-3-60 | 1 |
| 97330229 | PLATE, STARTER MOUNT FULLY PACKAGED UNITS | 1 |
| 56272305 | STARTER, 5HP - 200-1-60 | 1 |
| 56272040 | STARTER, 5HP - 230-1-60 | 1 |
| 56272057 | STARTER, 5HP - 200-3-60 | 1 |
| 81292468 | STARTER, 5HP - 230/460-3-60 | 1 |
| 56272222 | STARTER, 5HP - 230-3-60 | 1 |
| 56272164 | STARTER, 5HP - 575-3-60 | 1 |
| 81292450 | STARTER, 7.5HP - 230/460-3-60 | 1 |
| 56272297 | STARTER, 7.5HP - 230-1-60 | 1 |
| 56272198 | STARTER, 7.5HP - 200-3-60 | 1 |
| 56277214 | STARTER, 7.5HP - 575-3-60 | 1 |

ELECTRIC DRAIN

| CCN | DESCRIPTION | QTY |
|----------|---|-----|
| | COMMON | |
| 54393335 | ELBOW, STREET - 1/2 | 1 |
| 54579248 | DRAIN, EDV ELECTRIC | 1 |
| 95989638 | CONNECTOR, SWIVEL - FEMALE VERTICAL TANK UNITS | 1 |
| 32237851 | NIPPLE, LONG - 1/2 X 4-1/2 | 1 |
| 54386974 | COUPLING, BRASS - 1/2 | 1 |
| 95242517 | NIPPLE, LONG - 1/2 X 6 | 1 |

DRIVE

| CCN | DESCRIPTION | QTY |
|----------|---|-----|
| | MOTORS - CENTER DISCHARGE UNITS | |
| 32288631 | MOTOR, 5HP - 230-1-60 | 1 |
| 97331656 | MOTOR, 5HP - 230/460-3-60 | 1 |
| 97331649 | MOTOR, 5HP - 200-3-60 | 1 |
| 97331664 | MOTOR, 5HP - 575-3-60 | 1 |
| 32065526 | MOTOR, 5HP - 200-1-60 | 1 |
| 97331656 | MOTOR, 5HP - 230-3-60 | 1 |
| 32309437 | MOTOR, 7.5HP - 230-1-60 | 1 |
| 97331680 | MOTOR, 7.5HP - 230/460-3-60 | 1 |
| 97331672 | MOTOR, 7.5HP - 200-3-60 | 1 |
| | BELTS | |
| 95099479 | BELT, V - A62 (5HP CENTER DISCHARGE UNITS) | 1 |
| 95099511 | BELT, V - A70 (5HP FULLY PACKAGED UNITS) | 1 |
| 95099461 | BELT, V - A60 (7.5HP CENTER DISCHARGE UNITS) | 1 |
| | MOTORS - FULLY PACKAGED UNITS | |
| 32065526 | MOTOR, 5HP - 200-1-60 | 1 |
| 32288631 | MOTOR, 5HP - 230-1-60 | 1 |
| 32036790 | MOTOR, 5HP - 200-3-60 | 1 |
| 32036857 | MOTOR, 5HP - 230/460-3-60 | 1 |
| 32036865 | MOTOR, 5HP - 575-3-60 | 1 |
| | SHEAVE SETS | |
| 32281768 | SET, SHEAVE (5HP) | 1 |
| 54507975 | SET, SHEAVE (7.5HP, 230-1-60) | 1 |
| 54507967 | SET, SHEAVE (7.5HP, ALL EXCEPT 230-1-60) | 1 |
| | COMMON | |
| 32175556 | CAPSCREW, SERRATED WASHER HEAD - 3/8-16 X 1 (MOTOR MOUNTING) | 4 |
| 54370523 | NUT, CONICAL KEPS - 3/8 (MOTOR MOUNTING) | VAR |

AIR COOLED AFTERCOOLER (ACAC)

| CCN | DESCRIPTION | QTY |
|----------|---|-----|
| 32174286 | VALVE,SAFETY(DISCH)325PS SA25-0A325 | 1 |
| 32188450 | TUBE ASSY,COMPR/ACAC 242 2420/2475 | 1 |
| 32322265 | TUBE ASSY, ACAC/RECVR 2475N IFCV | 1 |
| 32322273 | TUBE ASSY, ACAC/RECVR 2475D IFCV | 1 |
| 95031795 | TUBE ELBOW 5/8X1/2 75A10B20 | 1 |
| 32498149 | 249IFHD10-8 | 1 |
| 85582229 | COIL, AFTERCOOLER MODINE 2475 5HP | 1 |
| | VALVE, CHECK 3/4" X 5/8T W/ 1/4" & 1/4T PORTS | 1 |

BELTGUARD

| CCN | DESCRIPTION | QTY |
|----------|---|-----|
| | WIRE STYLE (CENTER DISCHARGE UNITS) | |
| 32499162 | BACK, BELTGUARD - WIRE | 1 |
| 32499170 | FRONT, BELTGUARD - WIRE | 1 |
| 32496093 | CLIP, PVC COATED | 4 |
| 95916078 | WASHER, FLAT - 1/4 ZINC | 3 |
| 97173595 | CAPSCREW, SELF-TAP - 1/4-20 X 1/2 | 3 |
| 97330013 | BRACE, WIRE BELTGUARD | 1 |
| | SHEET METAL STYLE (FULLY PACKAGED UNITS) | |
| 32281040 | BACK, BELTGUARD - SHEET METAL | 1 |
| 32281057 | BRACE, SHEET METAL BELTGUARD (ATTACH TO LOW PRESSURE HEAD) | 1 |
| 32281065 | BRACE, SHEET METAL BELTGUARD (ATTACH TO HIGH PRESSURE HEAD) | 1 |
| 32281073 | COVER, AIR COOLED AFTERCOOLER | 1 |
| 32000705 | SCREW, SELF-TAPPING - 3/8-16 X 3/4 | 4 |
| 32187056 | SCREW, SELF-DRILL - 1/4-14 | 14 |

DUPLEX ELECTRIC MOTOR MODELS

AIR COMPRESSOR PUMP

| CCN | DESCRIPTION | QTY |
|----------|--|-----|
| 32304370 | PUMP, BARE COMPRESSOR | 2 |
| 95114476 | CAPSCREW, HEX - 1/2-13 X 1-1/2 (TO MOUNT PUMP TO BASE) | 8 |
| 95716890 | LOCKWASHER, SPRING - 1/2 (FOR PUMP MOUNTING CAPSCREWS) | 8 |

CONTROLS

| CCN | DESCRIPTION | QTY |
|----------|--|-----|
| 56288764 | SWITCH, PRESSURE - WITH UNLOADER VALVE | 1 |
| 56288798 | SWITCH, PRESSURE | 1 |
| 95426714 | NIPPLE, CLOSE | 1 |
| 32013872 | GAUGE, PRESSURE | 1 |
| 32179038 | PLUG, PIPE | 4 |
| 32301483 | ASSEMBLY, SHUTTLE VALVE | 1 |
| 32333528 | ASSEMBLY, TUBE - IC/IC 2-2475D TANK (LEAD/LAG) | 1 |
| 32333015 | ASSEMBLY, TUBE - PL.UNL SH VLV/DUP SIEMENS 2-2475D | 1 |

BASE PACKAGE

| CCN | DESCRIPTION | QTY |
|----------|--|-----|
| 32251894 | TANK, AIR RECEIVER - 2-2475D | 1 |
| 32251902 | TANK, AIR RECEIVER - 2-2475E | 1 |
| 32223596 | ASSEMBLY, BALL VALVE - 3/4" (2-2475D) | 1 |
| 32223604 | ASSEMBLY, BALL VALVE - 1" (2-2475E) | 1 |
| 32116295 | ASSEMBLY, TUBE - REC / MTD BLOCK RIGHT HAND (2-2475E7.5) | 1 |
| 32116303 | ASSEMBLY, TUBE - REC / MTD BLOCK LEFT HAND (2-2475E7.5) | 1 |
| 32118382 | ASSEMBLY, TUBE - REC / MTD BLOCK RIGHT HAND (2-2475D5) | 1 |
| 32118390 | ASSEMBLY, TUBE - REC / MTD BLOCK LEFT HAND (2-2475D5) | 1 |
| 32333551 | ASSEMBLY, TUBE - REC / MTD BLOCK RIGHT HAND (2-2475E5) | 1 |
| 32333544 | ASSEMBLY, TUBE - REC / MTD BLOCK LEFT HAND (2-2475E5) | 1 |
| 31385693 | VALVE, SAFETY/ RELIEF - 200 PSIG | 1 |
| 32157554 | CONNECTOR, MALE - 5/16 X 1/4 | 2 |
| 32179038 | PLUG, PIPE - 1/4 (2-2475E) | 1 |
| 32236333 | ASSEMBLY, TUBE - SHUTTLE VALVE / I/C TEE (2-2475E) | 1 |
| 95007522 | TEE, MALE TUBE - 5/16 X 1/8 | 1 |
| 95037453 | BUSHING, REDUCER - 3/4 X 1/4 | 1 |
| 95037826 | BUSHING, REDUCING - 1-1/2 X 1 | 1 |

MOTORS

| CCN | DESCRIPTION | QTY |
|----------|------------------------------|-----|
| 32036931 | MOTOR, 7.5 HP - 200-3-60 | 2 |
| 32036972 | MOTOR, 7.5 HP - 230/460-3-60 | 2 |
| 32036980 | MOTOR, 7.5 HP - 575-3-60 | 2 |
| 32175556 | CAPSCREW, 3/8-16 X 1 | 8 |
| 37177052 | CLAMP, MOTOR | 2 |
| 37177656 | BOLT, BELT TIGHTENER | 2 |
| 37179207 | CLIP, BELT TIGHTENER | 2 |
| 54370523 | NUT, CONICAL KEPS - 3/8 | 4 |
| 56271406 | SET, SHEAVE | 2 |
| 95677324 | BELT, V - A74 | 2 |

ALTERNATORS

| CCN | DESCRIPTION | QTY |
|----------|------------------------------------|-----|
| 56272917 | ALTERNATOR, 7.5 HP - 200-3-60 | 1 |
| 56272966 | ALTERNATOR, 7.5 HP - 230-3-60 | 1 |
| 56273030 | ALTERNATOR, 7.5 HP - 460-3-60 | 1 |
| 56273063 | ALTERNATOR, 7.5 HP - 575-3-60 | 1 |
| 95074266 | SCREW, TAPPING - 1/4-20 X 1/2 | 3 |
| 32298705 | BRACKET, ALTERNATOR | 1 |
| 32000705 | SCREW, SELF-TAPPING - 3/8-16 X 3/4 | 4 |
| VAR. | HEATER | 6 |

AIR COOLED AFTERCOOLER

| CCN | DESCRIPTION | QTY |
|----------|-------------------------------|-----|
| 95037826 | BUSHING, REDUCING - 1-1/2 X 1 | 1 |

| CCN | DESCRIPTION | QTY |
|----------|---|-----|
| 95006565 | TEE, PIPE - 1" | 1 |
| 95640074 | NIPPLE, CLOSE 1 X 1-1/2 | 1 |
| 32186421 | BUSHING, REDUCING - 1 X 3/4 | 2 |
| 85582112 | VALVE, CHECK - 3/4 X 3/4 | 2 |
| 32174286 | VALVE, SAFETY / RELIEF - DISCHARGE (325 PSIG) | 2 |
| 32324295 | ASSEMBLY, TUBE - ACAC / TANK | 2 |
| 32324287 | ASSEMBLY, TUBE - PUMP / ACAC | 2 |
| 32498065 | COIL, AFTERCOOLER - 7.5HP | 2 |

BELTGUARD

| CCN | DESCRIPTION | QTY |
|----------|---|-----|
| 32281040 | BACK, BELTGUARD - SHEET METAL | 2 |
| 32281057 | BRACE, SHEET METAL BELTGUARD (ATTACH TO LOW PRESSURE HEAD) | 2 |
| 32281065 | BRACE, SHEET METAL BELTGUARD (ATTACH TO HIGH PRESSURE HEAD) | 2 |
| 32281073 | COVER, AIR COOLED AFTERCOOLER | 2 |
| 32000705 | SCREW, SELF-TAPPING - 3/8-16 X 3/4 | 8 |
| 32187056 | SCREW, SELF-DRILL - 1/4-14 | 28 |

PNEUMATIC DRAIN VALVE

| CCN | DESCRIPTION | QTY |
|----------|--|-----|
| 32311102 | ASSEMBLY, PNEUMATIC DRAIN VALVE | 1 |
| 32496325 | TEE, MALE RUN | 1 |
| 32335457 | ASSEMBLY, TUBE - DRAIN VALVE TO COMPRESSOR | 1 |
| 32311128 | ASSEMBLY, TUBE - CONDENSATE | 1 |
| 95110441 | ELBOW, TUBE - 5/16 X 1/4 | 1 |

GASOLINE ENGINE MODELS

| CCN | DESCRIPTION | QTY | CCN | DESCRIPTION | QTY |
|----------|--|-----|----------|---|-----|
| 32343733 | TUBING GROUP ASSEMBLY, DISCHARGE TUBE - KOHLER BASEPLATE MOUNTED UNITS | 1 | 32497919 | BRACE, BELTGUARD - LP- KAWASAKI UNITS | 1 |
| 32343709 | ASSEMBLY, DISCHARGE TUBE - KOHLER TANK MOUNTED UNITS | 1 | 32308686 | BRACE, BELTGUARD - HONDA UNITS | 1 |
| 32343741 | ASSEMBLY, DISCHARGE TUBE - KAWASAKI BASEPLATE MOUNTED UNITS | 1 | 32281065 | BRACE, BELTGUARD - HP - KOHLER UNITS | 1 |
| 32343717 | ASSEMBLY, DISCHARGE TUBE - KAWASAKI TANK MOUNTED UNITS | 1 | 32497414 | BRACE, BELTGUARD - HP - KAWASAKI UNITS | 1 |
| 32343758 | ASSEMBLY, DISCHARGE TUBE - HONDA BASEPLATE MOUNTED UNITS | 1 | 32000705 | SCREW, SELF-TAPPING - 3/8-16 X 3/4 | VAR |
| 32343725 | ASSEMBLY, DISCHARGE TUBE - HONDA TANK MOUNTED UNITS | 1 | 32187056 | SCREW, SELF-DRILLING - 1/4-14 | VAR |
| 54398508 | CONTROLS GROUP CONTROL, THROTTLE SLOWDOWN - KOHLER BASEPLATE MOUNTED UNITS | 1 | 95916094 | WASHER, FLAT - 3/8 - KAWASAKI UNITS | 2 |
| 54398144 | CONTROL, THROTTLE SLOWDOWN - KOHLER TANK MOUNTED UNITS | 1 | | ENGINE & DRIVE GROUP | |
| 54398169 | CONTROL, THROTTLE SLOWDOWN - KAWASAKI UNITS | 1 | 97337901 | ENGINE, KOHLER - NO ALTERNATOR | 1 |
| 54398151 | CONTROL, THROTTLE SLOWDOWN - HONDA UNITS | 1 | 97337919 | ENGINE, KOHLER - WITH ALTERNATOR | 1 |
| 49816283 | VALVE, AUXILIARY | 1 | 32497331 | ENGINE, KAWASAKI - NO ALTERNATOR | 1 |
| 32174286 | * VALVE, SAFETY / RELIEF - 325 PSIG DISCHARGE | 1 | 32497349 | ENGINE, KAWASAKI - WITH ALTERNATOR | 1 |
| 31385693 | * VALVE, SAFETY / RELIEF - 200 PSIG RECEIVER | 1 | 81297467 | ENGINE, HONDA | 1 |
| 37155751 | * MUFFLER, DISCHARGE UNLOADER | 1 | 32295891 | BELT, DRIVE - KOHLER UNITS | 1 |
| 32013898 | GAUGE, PRESSURE - BASEPLATE MOUNTED UNITS | 1 | 32497869 | BELT, DRIVE - KAWASAKI UNITS | 1 |
| 81296253 | GAUGE, PRESSURE - TANK MOUNTED UNITS | 1 | 32310153 | BELT, DRIVE - HONDA UNITS | 1 |
| 95031795 | TUBE ELBOW 5/8X1/2 (ALL) | 1 | 56276207 | SHEAVE, KOHLER ENGINE | 1 |
| 95481982 | NIPPLE, PIPE - 1/2" X 3" (KAWASAKI TANK MOUNTED) | 1 | 32497554 | SHEAVE, KAWASAKI ENGINE | 1 |
| 32262545 | NIPPLE, PIPE - 1/2" X 4" (KOHLER / HONDA TANK MOUNTED) | 1 | 81297475 | SHEAVE, HONDA ENGINE | 1 |
| | AIR RECEIVER TANK GROUP | | 32497935 | CLAMP, ENGINE - KAWASAKI UNITS | 1 |
| 32175507 | TANK, AIR RECEIVER - BASEPLATE MOUNTED UNITS | 1 | 32497877 | TENSIONER, BELT - KAWASAKI UNITS (INCL CLAMP, MOUNTING CAPSCREWS, TENSIONING BOLT & CLIP) | 1 |
| 32496697 | TANK, AIR RECEIVER - KOHLER / HONDA TANK MOUNTED UNITS | 1 | 32145898 | TENSIONER, BELT - KOHLER & HONDA UNITS | 1 |
| 32497372 | TANK, AIR RECEIVER - KAWASAKI TANK MOUNTED UNITS | 1 | 30219802 | CLIP, BELT TIGHTENER - KOHLER & HONDA UNITS | 1 |
| 32223588 | VALVE, SERVICE | 1 | 32308140 | BRACE, ENGINE / COMPRESSOR - HONDA UNITS | 1 |
| 32027120 | VALVE, MANUAL DRAIN | 1 | 32246621 | BRACE, ENGINE / COMPRESSOR - KOHLER UNITS | 1 |
| 32309346 | KIT, VIBRATION MOUNT - HONDA TANK MOUNTED UNITS | 1 | 95203444 | KEY, KOHLER & HONDA UNITS | 1 |
| 32209165 | BRACKET, TANK MOUNTING - BASEPLATE MOUNTED UNITS | 2 | | MISCELLANEOUS HARDWARE & FITTINGS | |
| 32034134 | BOLT, U - BASEPLATE MOUNTED UNITS | 2 | 95417507 | NIPPLE, CLOSE - 1/2 X 1-1/8 - KAWASAKI BASEPLATE MOUNTED UNITS | 1 |
| 32140576 | BASEPLATE UNIT GROUP SUBBASE, KOHLER BASEPLATE MOUNTED UNITS | 1 | 32224909 | ELBOW, STREET - 1/8 X 1/8 - KAWASAKI BASEPLATE MOUNTED UNITS | 1 |
| 32309221 | SUBBASE, HONDA BASEPLATE MOUNTED UNITS | 1 | 32499139 | CAPSCREW, 5/16-18 X 1-3/4 - KAWASAKI UNITS | 2 |
| 32497356 | SUBBASE, KAWASAKI BASEPLATE MOUNTED UNITS | 1 | 39128558 | NUT, WHIZ-LOCK - 5/16-18 - KAWASAKI UNITS | 4 |
| 95944633 | BUSHING, 3/4 X 1/4 (BASEPLATE MOUNTED UNITS) | 2 | 32175556 | CAPSCREW, 3/8-16 X 1 - HONDA UNITS | 1 |
| 32178998 | BUSHING, REDUCING - 3/4 X 1/2 (BASEPLATE MOUNTED UNITS) | 1 | 95077053 | CAPSCREW, 3/8-16 X 1-1/2 - KOHLER & HONDA UNITS | 3 |
| 95043766 | CAPSCREW, HEX - 3/8-16 X 1-1/2 (BASEPLATE MOUNTED UNITS) | 4 | 95104014 | CAPSCREW, 7/16-14X1-1/4 - KOHLER BASEPLATE MOUNTED UNITS | 1 |
| 95675526 | LOCKWASHER, 5/16 (BASEPLATE MOUNTED UNITS) | 4 | 95916854 | CAPSCREW, HEX - 7/16 X 1-1/4 - KOHLER TANK MOUNTED UNITS | 1 |
| 39128558 | NUT, WHIZ-LOCK - 5/16-18 (BASEPLATE MOUNTED UNITS) | 4 | 39128566 | NUT, WHIZ-LOCK - 3/8-16 (KOHLER / HONDA) | 4 |
| | BELTGUARD GROUP | | 95423695 | NUT, HEX - 1/2 - KOHLER & HONDA UNITS | 1 |
| 56278906 | BACK, BELTGUARD - KOHLER UNITS | 1 | 95916094 | WASHER, FLAT - 3/8 - KAWASAKI UNITS | VAR |
| 32497398 | BACK, BELTGUARD - KAWASAKI UNITS | 1 | 32130387 | WASHER, FLAT - 7/16 (2475X12.5G) | 1 |
| 32308124 | BACK, BELTGUARD - HONDA UNITS | 1 | 95751582 | LOCKWASHER, 7/16 - KOHLER UNITS | 1 |
| 56278922 | FRONT, BELTGUARD - KOHLER UNITS | 1 | | COMPRESSOR PUMP GROUP | |
| 32497406 | FRONT, BELTGUARD - KAWASAKI UNITS | 1 | 32313322 | PUMP, BARE COMPRESSOR (INCL STD FILTER & INTERCOOLER SAFETY / RELIEF VALVE) | 1 |
| 32308116 | FRONT, BELTGUARD - HONDA UNITS | 1 | 95114476 | CAPSCREW, HEX - 1/2-13 X 1-1/2 | 4 |
| 32281057 | BRACE, BELTGUARD - LP - KOHLER UNITS | 1 | 95716890 | LOCKWASHER, SPRING - 1/2 | 4 |

SERVICE AND ACCESSORY PARTS AND KITS

SERVICE

START-UP KITS

Each Start-Up Kit contains the necessary quantities of All-Season Select Lubricant and standard air filter element(s) to start-up and maintain your compressor for the first year. Start-Up Kits for engine driven models include a replacement engine air filter, engine oil filter and engine oil. See the engine manufacturer's instructions for more detailed engine care information.

| CCN | DESCRIPTION | MODELS |
|----------|---------------|------------------------|
| 32305880 | KIT, START-UP | ELECTRIC MOTOR MODELS |
| 32312936 | KIT, START-UP | HONDA ENGINE MODELS |
| 32305872 | KIT, START-UP | KOHLER ENGINE MODELS |
| 32498511 | KIT, START-UP | KAWASAKI ENGINE MODELS |

MAINTENANCE PAKS

Maintenance paks contain all the parts necessary for one complete routine maintenance of your compressor. All-Season Select Lubricant, air filter elements and gaskets are included.

| CCN | DESCRIPTION |
|----------|------------------|
| 38485330 | PAK, MAINTENANCE |

STEP SAVER KITS

Step Saver Kits provide all the parts required to perform common repair or scheduled maintenance tasks, such as piston ring replacement or valve replacement.

| CCN | DESCRIPTION |
|----------|---------------------|
| 32301426 | KIT, VALVE |
| 32301517 | KIT, RING |
| 32301509 | KIT, BEARING & ROD* |
| 32301434 | KIT, GASKET |

* To repair grooved crankshaft journals, order Shaft Repair Kit 32499949 along with the Bearing & Rod Kit.

OVERHAUL KITS

| CCN | DESCRIPTION |
|----------|---------------|
| 32319469 | KIT, OVERHAUL |

RECOMMENDED SPARES

| ITEM | CCN | DESCRIPTION | QTY |
|------|----------|---|-----|
| 1-15 | 32247884 | GASKET, FRAME END COVER | 1 |
| 1-20 | 32247850 | O-RING, OIL FILLER PLUG | 1 |
| 1-23 | 32499923 | L SEAL | 1 |
| 1-24 | 32247876 | GASKET, SHAFT END COVER | 1 |
| REF. | 32310799 | ASSEMBLY, VALVE PLATE - HIGH PRESSURE | 1 |
| REF. | 32248205 | ASSEMBLY, VALVE PLATE | 1 |
| 4-1 | 32496598 | PISTON, AIR - COMPLETE - 2.5" HIGH PRESSURE | 1 |
| 4-5 | 32307910 | SET, PISTON RING - 2.5" | 1 |
| 4-6 | 32247868 | GASKET, CYLINDER/FLANGE | 2 |
| 4-10 | 32246878 | O-RING, VALVE PLATE - HIGH PRESSURE | 1 |
| 4-12 | 32247926 | GASKET, AIRHEAD - HIGH PRESSURE | 1 |
| 4-14 | 32496564 | PISTON, AIR - COMPLETE - 4" - LOW PRESSURE | 1 |
| 4-18 | 32307928 | SET, PISTON RING - 4" | 1 |
| 4-20 | 32248197 | GASKET, VALVE PLATE - LOW PRESSURE | 1 |
| 4-22 | 32248189 | GASKET, AIRHEAD - LOW PRESSURE | 1 |

GASOLINE ENGINE PARTS

| CCN | DESCRIPTION | MODELS |
|----------|--------------|----------------------|
| 32305674 | FILTER, OIL | KOHLER ENGINE MODELS |
| 32305682 | FILTER, AIR | KOHLER ENGINE MODELS |
| 32305690 | PRE FILTER | KOHLER ENGINE MODELS |
| 38487039 | KIT, MUFFLER | KOHLER ENGINE MODELS |
| 32498545 | FILTER, OIL | KAWASAKI |
| 32498537 | FILTER, AIR | KAWASAKI |
| 32498529 | PRE FILTER | KAWASAKI |

COMPRESSOR LUBRICANT

All Season T30 Select is a synthetic fluid specifically formulated to protect and preserve your Ingersoll-Rand small reciprocating air compressor through a broad range of temperature as well as better start-up in colder climate conditions. With its outstanding formulation, All Season T30 Select enables you to run 2000 hours of service between changeouts under normal operating conditions.

| PART NO. | DESCRIPTION |
|----------|--|
| 32318875 | LUBRICANT, ALL SEASON SELECT - QUART |
| 32318883 | LUBRICANT, ALL SEASON SELECT - CASE OF 12 QUARTS |

ACCESSORIES

INSTALLATION KITS

Each Installation Kit combines vibration pads and flexible hose into one kit. The kit consists of (4) 5 X 5 vibration pads and (1) 3/4 X 13 flexible hose.

| CCN | DESCRIPTION |
|----------|-------------------|
| 38002242 | KIT, INSTALLATION |

SILENCERS

Silencers provide excellent noise reduction (2 DBA or 35% reduction in operating noise level) with no pressure drop.

| CCN | DESCRIPTION |
|----------|-------------|
| 32323552 | SILENCER |

VIBRATION PADS

Vibration pads are designed to absorb 40-60% of the sound and vibration of your compressor.

| CCN | DESCRIPTION |
|----------|------------------------------------|
| 32320681 | PAD, VIBRATION — 4 X 4 STEEL PLATE |
| 32320699 | PAD, VIBRATION — 5 X 5 STEEL PLATE |
| 32321002 | PAD, VIBRATION — 4 X 4 CORK |
| 32321028 | PAD, VIBRATION — 5 X 5 CORK |
| 32321010 | PAD, VIBRATION — 6 X 6 CORK |

FLEX HOSES

Flex Hoses give flexibility to compressed air piping systems. They provide thermal growth absorption, misalignment compensation, vibration isolation, reduced stress forces on compressor housings and noise reduction.

| CCN | DESCRIPTION |
|----------|-----------------------------|
| 32323586 | HOSE, FLEX — 1/2 X 11 |
| 38335295 | HOSE, FLEX — 1/2 X 36 |
| 38338778 | HOSE, FLEX — 1/2 X 72 |
| 32323594 | HOSE, FLEX — 3/4 X 13 |
| 38323309 | HOSE, FLEX — 3/4 X 24 |
| 38335303 | HOSE, FLEX — 3/4 X 36 |
| 38338638 | HOSE, FLEX — 3/4 X 72 |
| 32323602 | HOSE, FLEX — 1 X 14 |
| 38334033 | HOSE, FLEX — 1 X 24 |
| 38335311 | HOSE, FLEX — 1 X 36 |
| 38338646 | HOSE, FLEX — 1 X 72 |
| 32323610 | HOSE, FLEX — 1-1/2 X 18 |
| 38323317 | HOSE, FLEX — 1-1/2 X 20-1/2 |
| 38323325 | HOSE, FLEX — 1-1/2 X 24 |

Y-STRAINERS

Y-Strainers are designed to prevent foreign particles and sludge from moving downstream.

| CCN | DESCRIPTION |
|----------|-----------------|
| 32323628 | Y-STRAINER, 1/4 |
| 32323636 | Y-STRAINER, 1/2 |

INTERCOOLER SEPARATOR KITS

Intercooler Separator Kits remove condensate between the first and second stages.

| CCN | DESCRIPTION |
|----------|----------------------------|
| 32337826 | KIT, INTERCOOLER SEPARATOR |

EXTERNAL CRANKCASE HEATER KITS

External crankcase heaters are recommended when ambient temperatures are consistently below 32°F (0°C). An easy-to-install external crankcase heater kit is intended for aftermarket use. Two kits may be required for some applications.

| CCN | DESCRIPTION |
|----------|--------------------------------|
| 97330385 | KIT, EXTERNAL CRANKCASE HEATER |

CONSTANT SPEED CONVERSION KITS

Extend the life of your compressor in hot and humid operating conditions by installing Constant Speed Control.

| CCN | DESCRIPTION | MODELS |
|----------|-----------------------------------|---------------------------------|
| 81294621 | KIT, CONSTANT SPEED CONVERSION | 2475N5/7.5 W/4-FOOT RECEIVER |
| 81294639 | KIT, CONSTANT SPEED CONVERSION | 2475N7.5 W/3-FOOT RECEIVER |
| 81294688 | KIT, CONSTANT SPEED CONVERSION | 2475D5 |
| 81295867 | KIT, CONSTANT SPEED CONVERSION | 2475N5 W/3-FOOT RECEIVER |

BATTERY SUPPORT KITS

The Battery Support Kit will allow a battery to be conveniently mounted on the Kohler, Honda and Kawasaki engine driven compressors. The kit contains the battery support, battery hold-down frame and attachment hardware.

| CCN | DESCRIPTION | MODELS |
|----------|----------------------|--|
| 32095663 | KIT, BATTERY SUPPORT | KOHLER, HONDA, KAWASAKI ENGINE MODELS |

VINYL COVERS

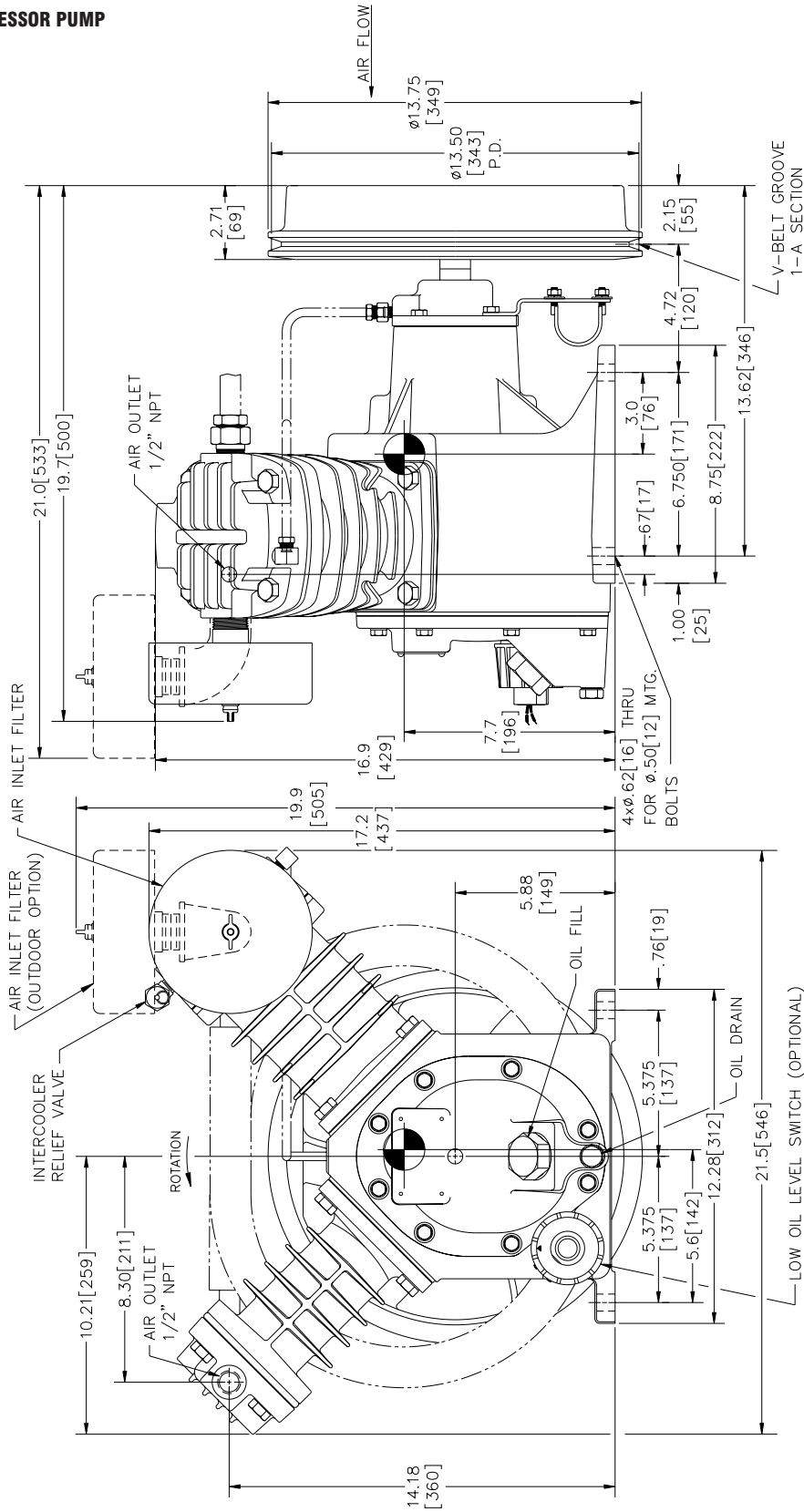
Flame retardant vinyl covers are designed to protect gasoline engine compressors from the elements.

| CCN | DESCRIPTION | MODELS |
|----------|--------------|--|
| 97339337 | COVER, VINYL | KOHLER, HONDA, KAWASAKI ENGINE MODELS |

GENERAL ARRANGEMENT DRAWINGS

BARE COMPRESSOR PUMP

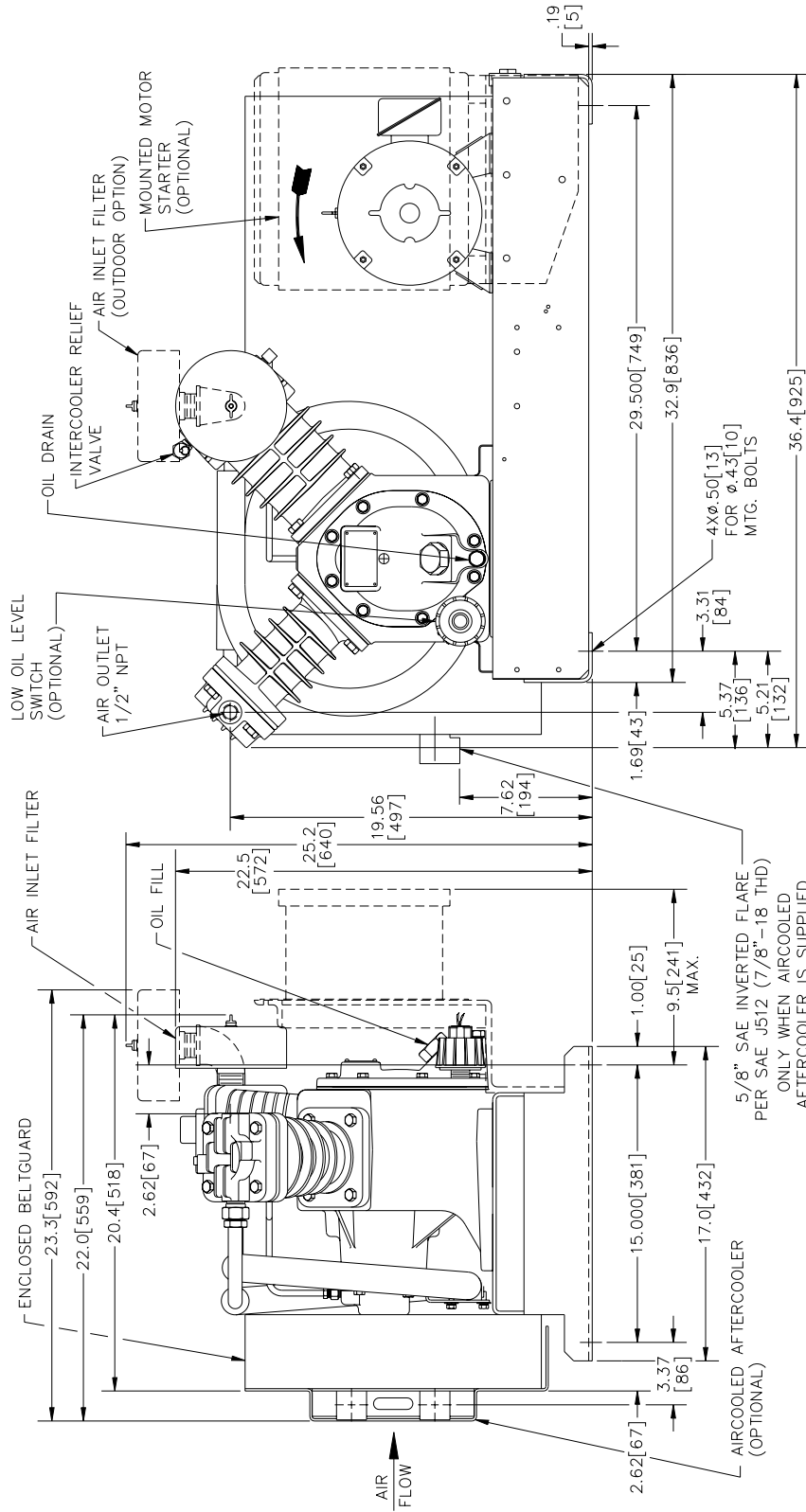
G2111000-04



- NOTES:
1. CUSTOMER MUST SUPPLY MTG. ARRANGEMENT WITH AT LEAST 2.00[51] MIN. BELT TAKE-UP.
 2. ALL DIMENSIONS GIVEN IN INCHES.
 3. LEAVE AT LEAST 12.00[305] MIN. CLEARANCE ON ALL SIDES FOR PROPER AIR CIRCULATION.
 4. WEIGHT: 147 LBS.[67kg] DRY (NO LUBRICATION)
 5. ALL UNSPECIFIED TOLERANCES:
 XXX = ±.03[1]
 XX = ±.12[3]
 X = ±.25[6]
 6. DIMENSIONS IN [] ARE MILLIMETER DIMENSIONS UNLESS OTHERWISE SPECIFIED.

BASEPLATE MOUNTED UNIT WITH ELECTRIC MOTOR

G2211000-05



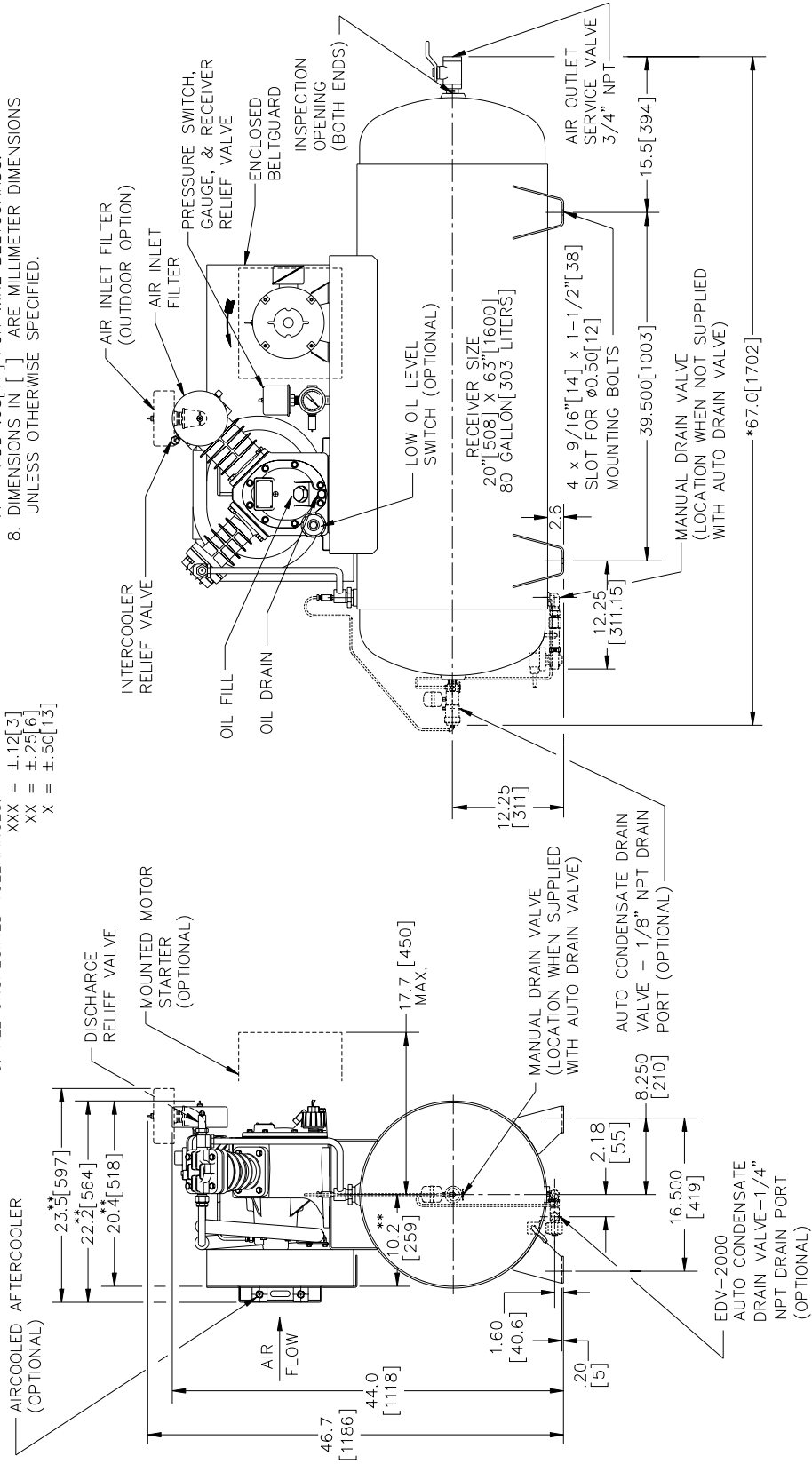
- NOTES:
1. FOUNDATION OR FLOOR MUST BE LEVEL AND SUPPORT ALL FEET EQUALLY; IF NECESSARY SHIM OR GROUT THE FOURTH FOOT.
 2. FOUNDATION BOLTS SHOULD PROJECT THRU NUTS AT LEAST 1/2" [13] TO ALLOW FOR LEVELING.
 3. ALLOW AT LEAST 12.00" [305] CLEARANCE MINIMUM ON ALL SIDES FOR PROPER AIR CIRCULATION.
 4. APPROXIMATE NET WEIGHT: 350 LBS. [159kg]
 5. ALL UNSPECIFIED DIMENSIONS: XXX = .125 [3] XX = .25 [6] X = .50 [13]
 6. DIMENSIONS IN [] ARE MILLIMETER DIMENSIONS UNLESS OTHERWISE SPECIFIED.

80-GALLON HORIZONTAL TANK MOUNTED UNIT

G2311000-05

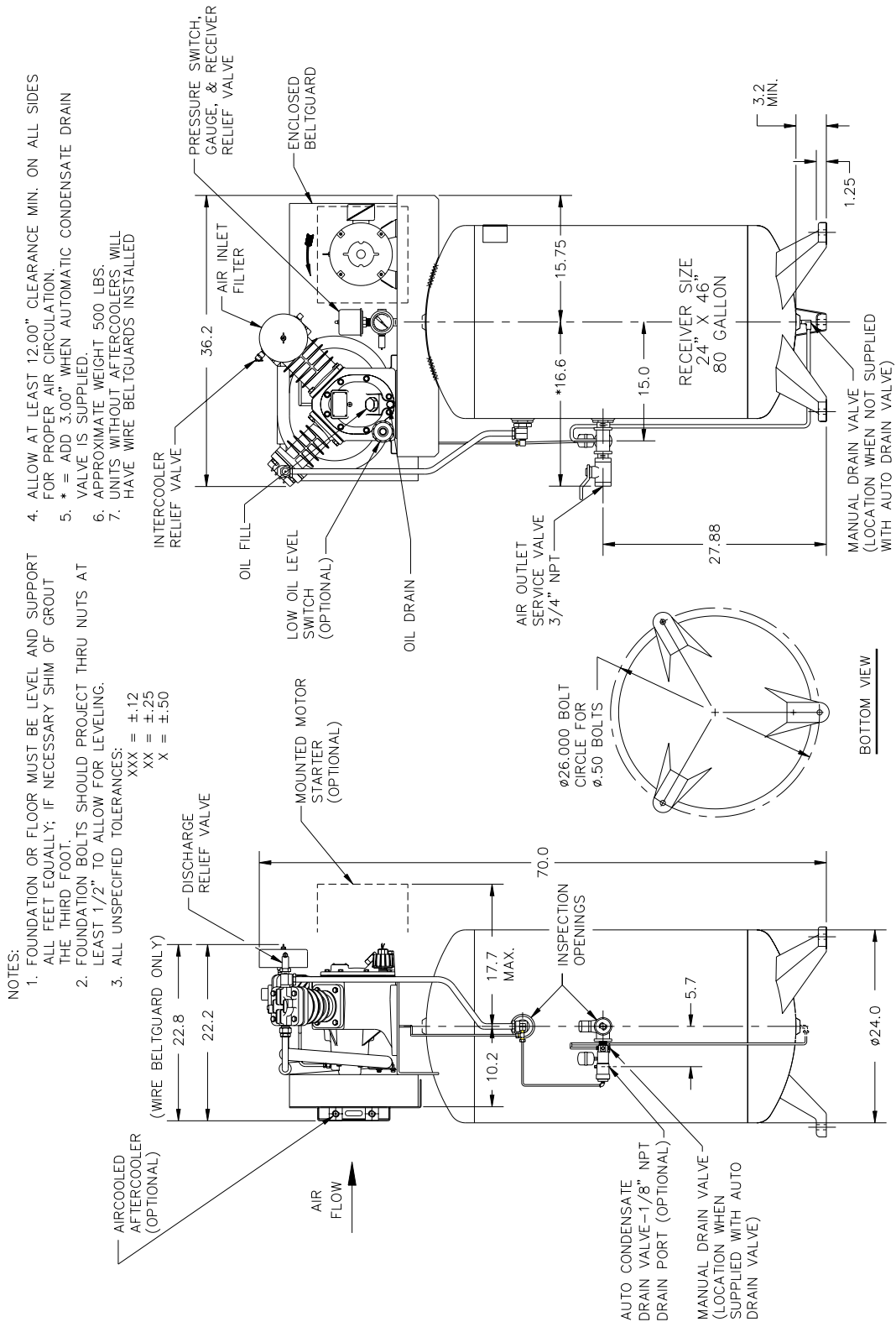
NOTES:

1. FOUNDATION OR FLOOR MUST BE LEVEL AND SUPPORT ALL FEET EQUALLY; IF NECESSARY SHIM OF GROUT THE FOURTH FOOT.
2. FOUNDATION BOLTS SHOULD PROJECT THRU NUTS AT LEAST 1/2"[13] TO ALLOW FOR LEVELING.
3. ALL UNSPECIFIED TOLERANCES:
 XXX = ±.12[3]
 XX = ±.25[6]
 X = ±.50[13]
4. ALLOW AT LEAST 12.00"[305] CLEARANCE MIN. ON ALL SIDES FOR PROPER AIR CIRCULATION.
5. * = ADD 6.00"[152] WHEN AUTOMATIC CONDENSATE DRAIN VALVE IS SUPPLIED.
6. APPROXIMATE WEIGHT 535 LBS.[243kg]
7. UNITS WITHOUT AFTERCOOLER WILL HAVE WIRE BELTGUARDS.
8. ** = ADD .68[17] FOR WIRE BELTGUARDS.
 *** = ADD .68[17] FOR WIRE BELTGUARDS.
 DIMENSIONS IN [] ARE MILLIMETER DIMENSIONS UNLESS OTHERWISE SPECIFIED.



80-GALLON VERTICAL TANK MOUNTED UNIT — FULLY PACKAGED

G2811300-01

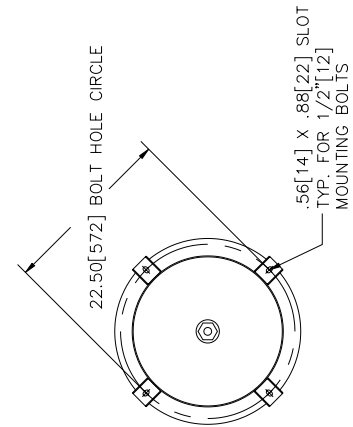
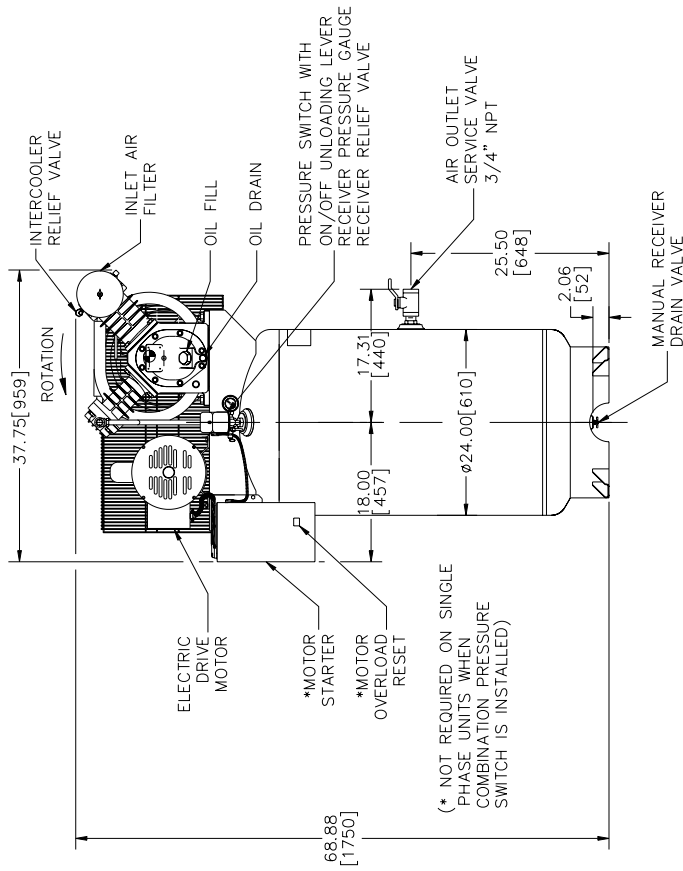
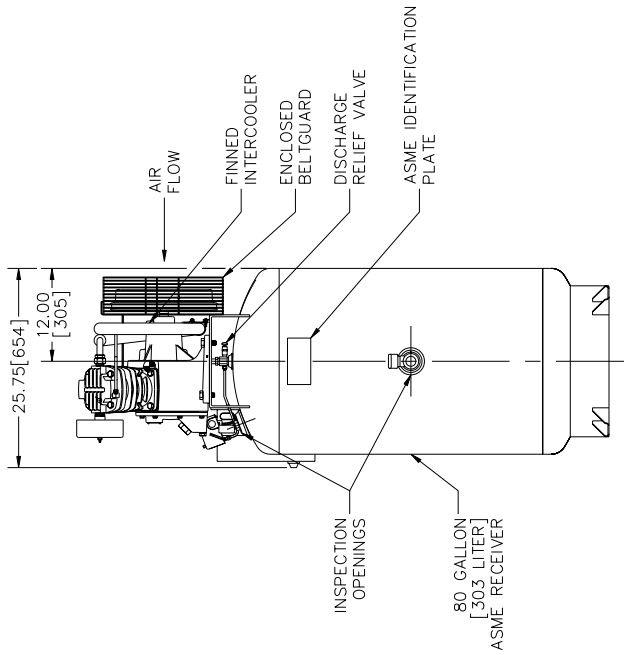


- NOTES:
1. FOUNDATION OR FLOOR MUST BE LEVEL AND SUPPORT ALL FEET EQUALLY; IF NECESSARY SHIM OF GROUT THE THIRD FOOT.
 2. FOUNDATION BOLTS SHOULD PROJECT THRU NUTS AT LEAST 1/2" TO ALLOW FOR LEVELING.
 3. ALL UNSPECIFIED TOLERANCES:
 XXX = $\pm .12$
 XX = $\pm .25$
 X = $\pm .50$
 4. ALLOW AT LEAST 12.00" CLEARANCE MIN. ON ALL SIDES FOR PROPER AIR CIRCULATION.
 5. * = ADD 3.00" WHEN AUTOMATIC CONDENSATE DRAIN VALVE IS SUPPLIED.
 6. APPROXIMATE WEIGHT 500 LBS.
 7. UNITS WITHOUT AFTERCoolERS WILL HAVE WIRE BELTGUARDS INSTALLED

BOTTOM VIEW

80-GALLON VERTICAL TANK MOUNTED UNIT

G2811302-02

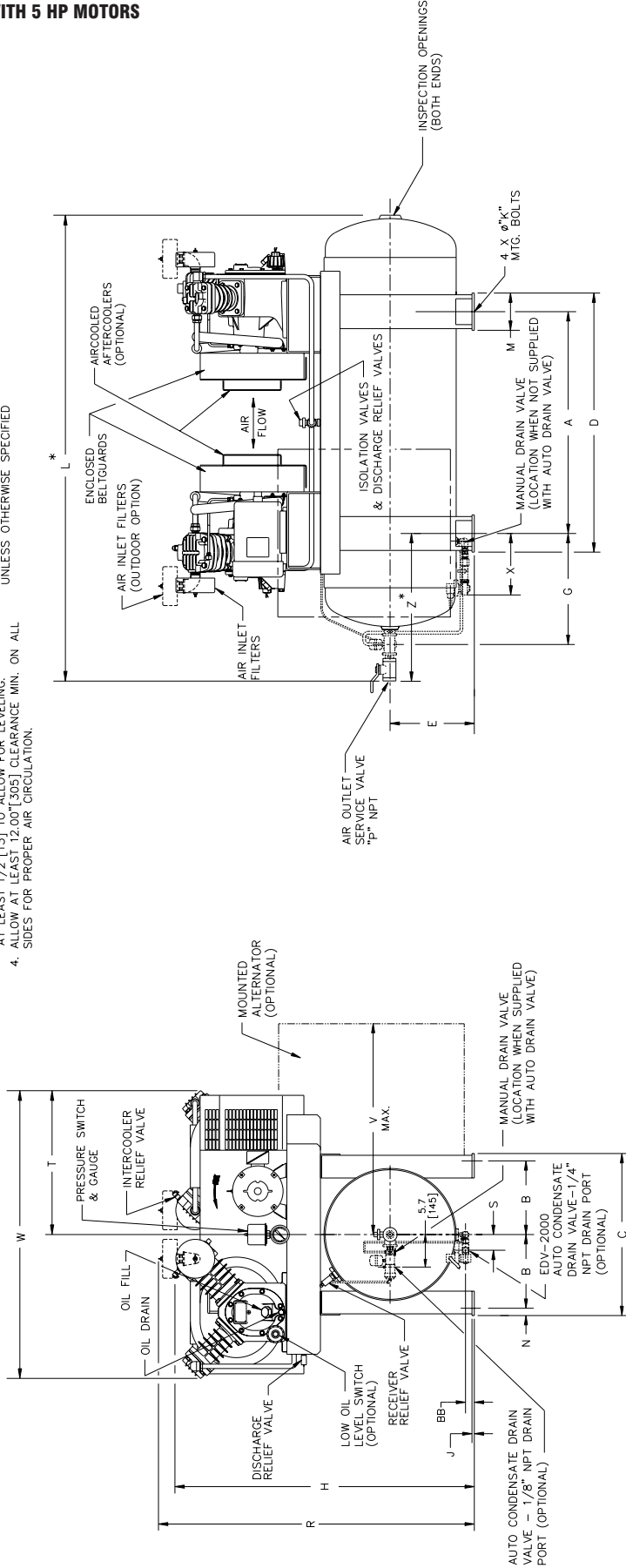


- NOTES:
1. FOUNDATION OR FLOOR MUST BE STRUCTURALLY SOUND, SUPPORT ALL FEET EQUALLY. IF NECESSARY SHIM OR GROUT THE FEET TO LEVEL.
 2. FOUNDATION BOLTS MUST PROJECT THROUGH THE FEET AT LEAST 1/2" [13] TO ALLOW FOR LEVELING
 3. ALL UNSPECIFIED TOLERANCES:
 - .XXX = ±.12 [3]
 - .XX = ±.25 [6]
 - .X = ±.5 [13]
 4. ALLOW AT LEAST 12" [305] ON ALL SIDE OF THE MACHINE TO ALLOW PROPER AIR CIRCULATION AND MAINTENANCE
 5. APPROXIMATE WEIGHT 500 LBS. [227]
 6. DIMENSIONS IN [] ARE MILLIMETER DIMENSIONS UNLESS OTHERWISE SPECIFIED

TANK MOUNTED DUPLEX UNIT WITH 5 HP MOTORS

NOTES:

1. FOUNDATION OR FLOOR MUST BE LEVEL AND SUPPORT ALL FEET EQUALLY; IF NECESSARY SHIM OR GROUT THE FOURTH FOOT.
2. THE COMPRESSOR ARRANGEMENT SHOWN IS REPRESENTATIVE OF ALL THE UNITS LISTED. SPECIFIED ACCESSORY ITEMS ARE NOT NECESSARILY SHOWN BUT WILL NOT INCREASE THE DIMENSION.
3. FOUNDATION BOLTS SHOULD PROJECT THRU NUTS AT LEAST 1/2" [13] TO ALLOW FOR LEVELING.
4. ALLOW AT LEAST 12.00" [305] CLEARANCE MIN. ON ALL SIDES FOR PROPER AIR CIRCULATION.
5. * = ADD ".4" WHEN AUTOMATIC CONDENSATION DRAIN VALVE IS SUPPLIED.
6. ALL UNSPECIFIED TOLERANCES: XXX = ± .12 [3] XX = ± .25 [6] X = ± .50 [13]
7. UNITS WITHOUT AFTERCOOLERS WILL HAVE WIRE BELTGUARDS.
8. DIMENSIONS IN [] ARE MILLIMETER DIMENSIONS UNLESS OTHERWISE SPECIFIED.



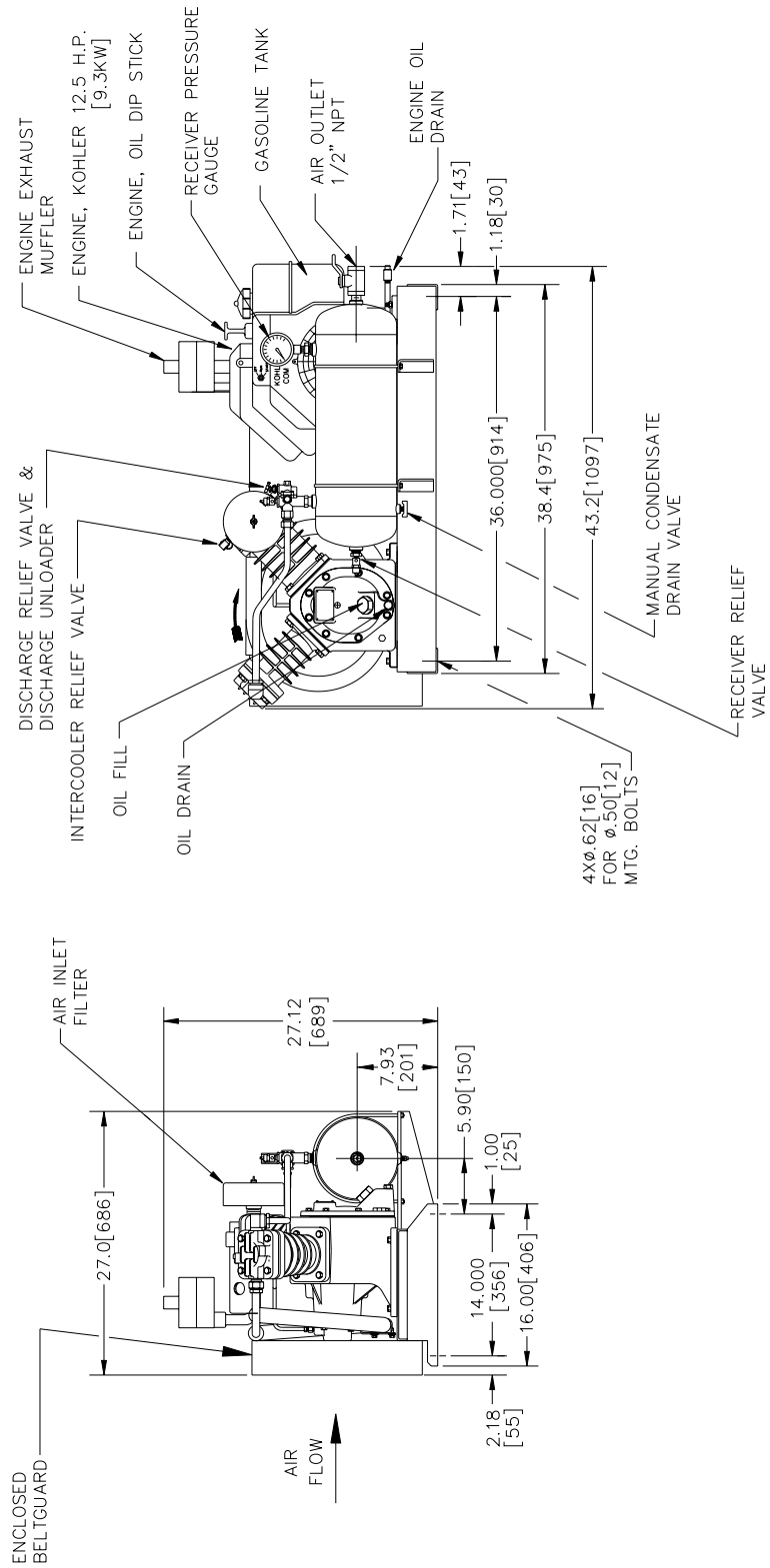
| MODEL | NET WT. (kg) | RECEIVER SIZE | GAL [LITER] | DIMENSIONS IN INCHES [MM] | | | | | | | | | | | | | | | | | | | | | |
|----------|--------------|---------------------------|-------------|---------------------------|--------------|-----------|--------------|--------------|-------------|------------|-------------|-------------|----------|----------|-------------|------------|-----------|-------------|-----------|------------|------------|-------------|-------------|------------|------------|
| | | | | A | B | BB | C | D | E | G | H | J | K | L | M | N | P | R | S | T | V | W | X | Y | Z |
| 2-2475D5 | 950 [431] | 20" X 6 3/4" [508 X 1600] | 80 [303] | 34.250 [870] | 11.375 [289] | 1.50 [38] | 25.00 [635] | 40.50 [1029] | 13.00 [330] | 16.2 [411] | 46.0 [1168] | 46.0 [1168] | .38 [10] | .50 [12] | 66.1 [1679] | 6.25 [159] | 1.13 [29] | 47.5 [1207] | 2.18 [55] | 22.2 [564] | 35.7 [907] | 44.5 [1130] | 15.87 [403] | 3.00 [76] | 17.5 [445] |
| 2-2475E5 | 1300 [596] | 24" X 6 7/8" [610 X 1702] | 120 [454] | 42.000 [1067] | 20.000 [508] | 3.44 [87] | 42.50 [1080] | 50.00 [1270] | 17.25 [438] | 15.9 [404] | 52.6 [1336] | 52.6 [1336] | .75 [19] | .62 [16] | 72.4 [1839] | 8.25 [210] | 1.25 [32] | 54.1 [1374] | 2.18 [55] | 22.2 [564] | 26.7 [678] | 44.5 [1130] | 11.50 [292] | 4.25 [108] | 17.6 [447] |

BASEPLATE MOUNTED UNIT WITH KAWASAKI ENGINE

G2611003-01

NOTES:

1. FOUNDATION OR FLOOR MUST BE LEVEL AND SUPPORT ALL FEET EQUALLY; IF NECESSARY SHIM OR GROUT THE FOURTH FOOT.
2. FOUNDATION BOLTS SHOULD PROJECT THRU NUTS AT LEAST 1/2" [13] TO ALLOW FOR LEVELING.
3. ALLOW AT LEAST 12.00 [305] CLEARANCE MIN. ON ALL SIDES FOR PROPER AIR CIRCULATION.
4. ALL UNSPECIFIED TOLERANCES: XXX = ±.12 [3]
XX = ±.25 [6]
X = ±.50 [13]
5. DIMENSIONS IN [] ARE MILLIMETER DIMENSIONS UNLESS OTHERWISE SPECIFIED.

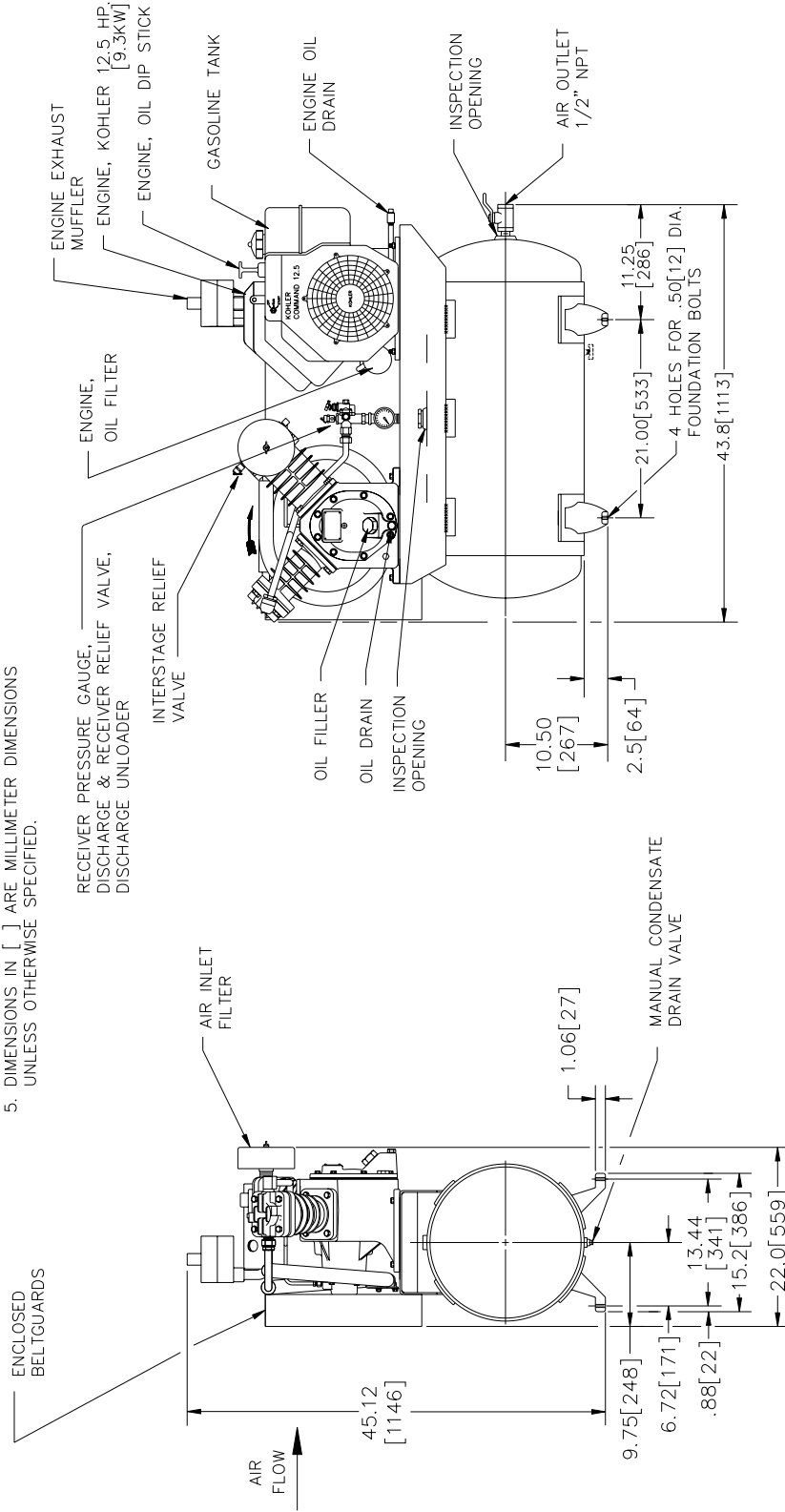


TANK MOUNTED UNIT WITH KOHLER ENGINE

G2711004-01

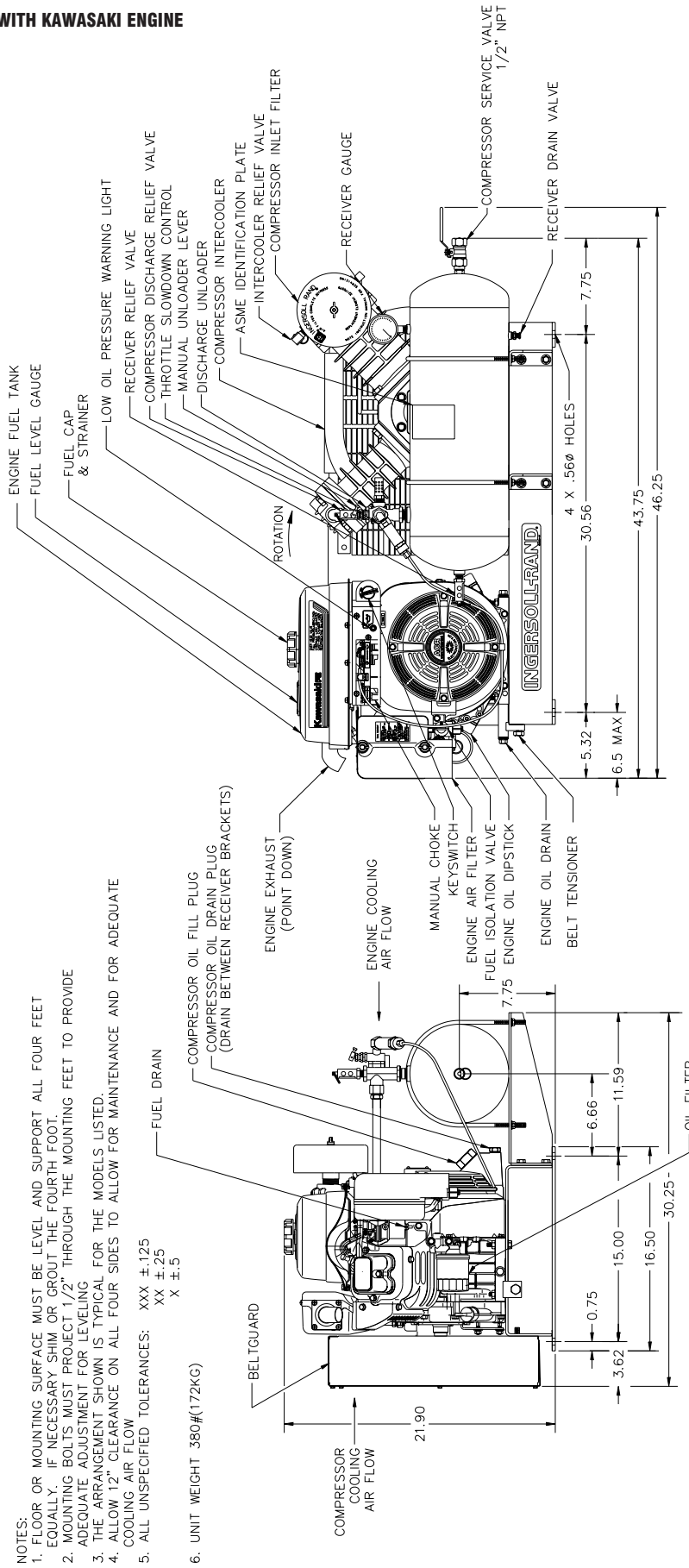
NOTES:

1. FOUNDATION OR FLOOR MUST BE LEVEL AND SUPPORT ALL FEET EQUALLY; IF NECESSARY SHIM OR GROUT THE FOURTH FOOT.
2. FOUNDATION BOLTS SHOULD PROJECT THRU NUTS AT LEAST 1/2"[13] TO ALLOW FOR LEVELING.
3. ALLOW AT LEAST 12.00[305] CLEARANCE MIN. ON ALL SIDES FOR PROPER AIR CIRCULATION.
4. ALL UNSPECIFIED TOLERANCES: XXX = ±.12[3]
XX = ±.25[6]
X = ±.50[13]
5. DIMENSIONS IN [] ARE MILLIMETER DIMENSIONS UNLESS OTHERWISE SPECIFIED.



BASEPLATE MOUNTED UNIT WITH KAWASAKI ENGINE

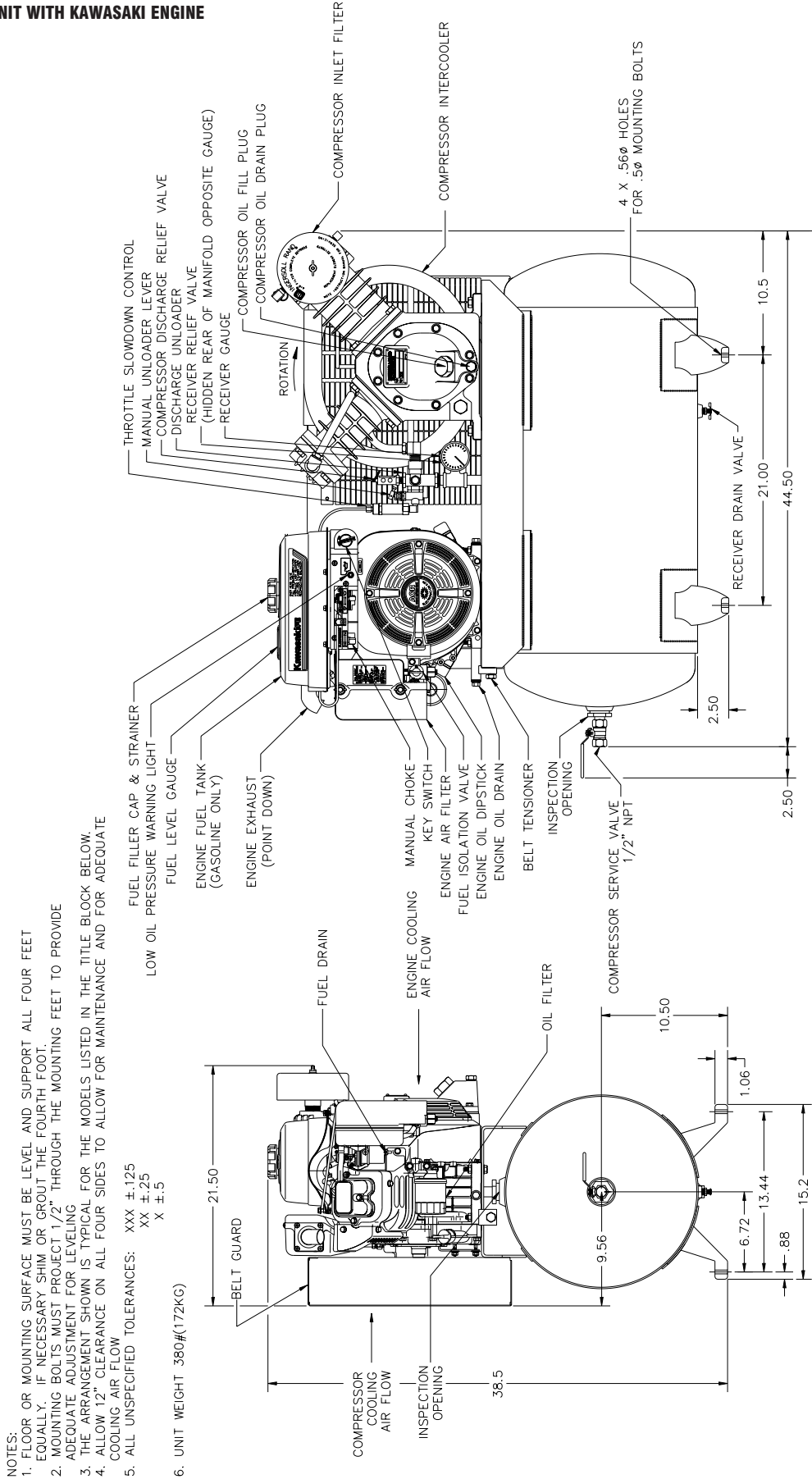
G2611002-00



- NOTES:
1. FLOOR OR MOUNTING SURFACE MUST BE LEVEL AND SUPPORT ALL FOUR FEET EQUALLY. IF NECESSARY SHIM OR GROUT THE FOURTH FOOT.
 2. MOUNTING BOLTS MUST PROJECT 1/2" THROUGH THE MOUNTING FEET TO PROVIDE ADEQUATE ADJUSTMENT FOR LEVELING
 3. THE ARRANGEMENT SHOWN IS TYPICAL FOR THE MODELS LISTED.
 4. ALLOW 12" CLEARANCE ON ALL FOUR SIDES TO ALLOW FOR MAINTENANCE AND FOR ADEQUATE COOLING AIR FLOW
 5. ALL UNSPECIFIED TOLERANCES: XXX \pm .125
XX \pm .25
X \pm .5
 6. UNIT WEIGHT 380#(172KG)

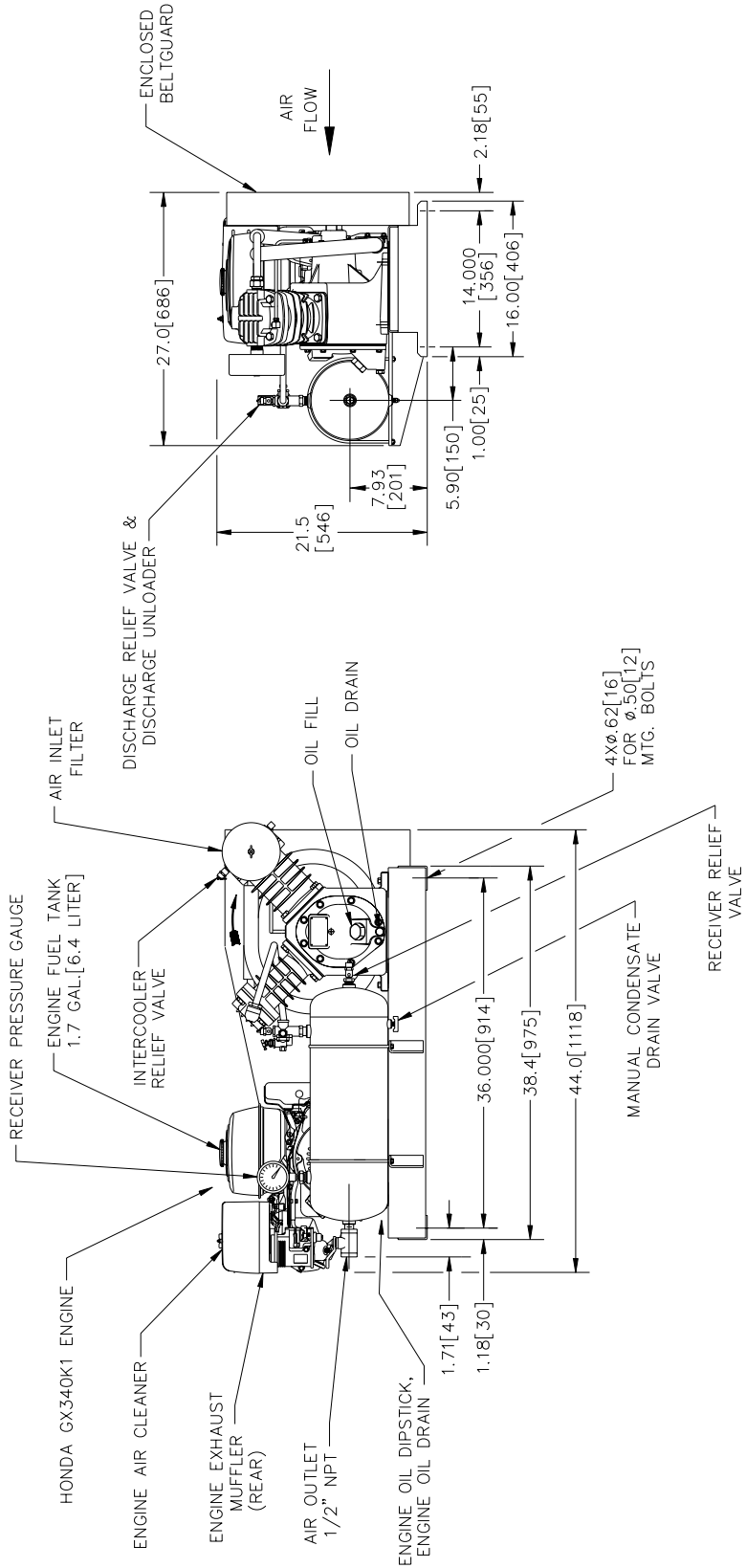
TANK MOUNTED UNIT WITH KAWASAKI ENGINE

G2711003-01



NOTES:

1. FOUNDATION OR FLOOR MUST BE LEVEL AND SUPPORT ALL FEET EQUALLY; IF NECESSARY SHIM OR GROUT THE FOURTH FOOT.
2. FOUNDATION BOLTS SHOULD PROJECT THRU NUTS AT LEAST 1/2 [13] TO ALLOW FOR LEVELING.
3. ALLOW AT LEAST 12.00 [305] CLEARANCE MIN. ON ALL SIDES FOR PROPER AIR CIRCULATION.
4. ALL UNSPECIFIED TOLERANCES: XXX = ±.12 [3]
XX = ±.25 [6]
X = ±.50 [13]
5. DIMENSIONS IN [] ARE MILLIMETER DIMENSIONS UNLESS OTHERWISE SPECIFIED.

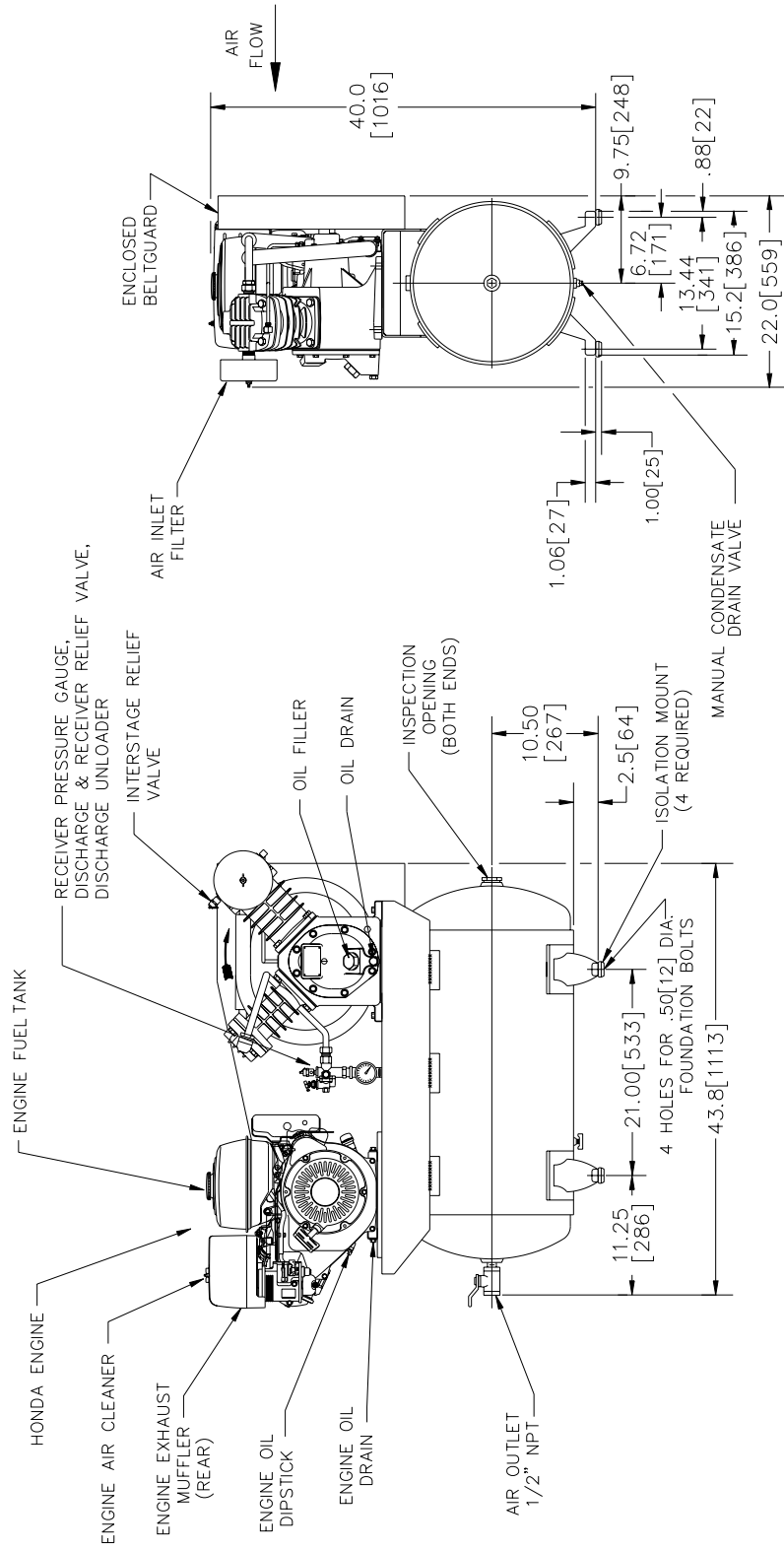


TANK MOUNTED UNIT WITH HONDA ENGINE

G2711000-02

NOTES:

1. FOUNDATION OR FLOOR MUST BE LEVEL AND SUPPORT ALL FEET EQUALLY; IF NECESSARY SHIM OR GROUT THE FOURTH FOOT.
2. FOUNDATION BOLTS SHOULD PROJECT THRU NUTS AT LEAST 1/2"[13] TO ALLOW FOR LEVELING.
3. UNIT MUST BE INSTALLED WITH 32308652 ISOLATION MOUNTS BETWEEN FEET & MOUNTING STRUCTURE.
4. ALLOW AT LEAST 12.00[305] CLEARANCE MIN. ON ALL SIDES FOR PROPER AIR CIRCULATION.
5. ALL UNSPECIFIED TOLERANCES: XX = ±.25[6]
X = ±.50[13]
6. DIMENSIONS IN [] ARE MILLIMETER DIMENSIONS UNLESS OTHERWISE SPECIFIED.





A series of horizontal lines for writing, starting from the top right of the pen icon and extending across the width of the page. The lines are evenly spaced and cover the majority of the page's vertical space.



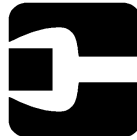
A series of horizontal lines for writing, starting from the top right of the pen icon and extending across the width of the page. The lines are evenly spaced and cover the majority of the page's vertical space.

LOOK WHAT INGERSOLL-RAND CAN DO FOR YOU!



Efficient Field Service

We maintain a highly trained staff of technicians to service your equipment for preventive maintenance, or to assist you should emergencies ever occur.



Complete Repair Service

Our trained technicians will repair or overhaul your equipment to factory specifications, using only genuine I-R parts.



Special Engineering Service

We can help you identify and solve your problems by evaluating your needs and recommending the proper equipment to give you maximum efficiency.



Spare Parts

By stocking genuine I-R spare parts, we can help you avoid costly delays or substituting inferior parts. Using genuine I-R parts on your I-R equipment will help to keep even older equipment running in good-as-new condition.



Complete Stock of Equipment

We carry a complete line of I-R equipment and accessories designed to meet any compressed air application. We are backed by I-R's prompt factory shipment to ensure you on-time delivery.

A SUBSTITUTE IS NOT A REPLACEMENT!

Ensure you get peak performance and longevity out of your Ingersoll-Rand product by insisting on genuine Ingersoll-Rand replacement parts and maintenance kits. Not only are the replacement parts made to precise dimensions and OEM-specified metallurgy, but each part is backed by the Ingersoll-Rand warranty. Your local Air Center, Distributor, or direct Ingersoll-Rand salesperson will work with you to ensure you get the parts you need to do the job right. Equip your machines with only the best — Ingersoll-Rand genuine parts.

NOTE: THE USE OF REPAIR PARTS OTHER THAN THOSE INCLUDED WITHIN THE INGERSOLL-RAND COMPANY APPROVED PARTS LIST MAY CREATE UNSAFE CONDITIONS OR MECHANICAL FAILURES OVER WHICH INGERSOLL-RAND COMPANY HAS NO CONTROL. INGERSOLL-RAND COMPANY SHALL BEAR NO RESPONSIBILITY FOR EQUIPMENT ON WHICH NON-APPROVED REPAIR PARTS ARE INSTALLED.

