



Product Selection Guide

Size and Performance Data	250-SPD-2
Sound Transmission Class and Outdoor-Indoor Transmission Class.....	250-SPD-2
Features and Options.....	250-SPD-3
Glazing Performance	250-SPD-4
Grilles.....	250-SPD-8
Size Tables.....	250-SPD-9
Special Sizes and Dimensions.....	250-SPD-11
Design Data	250-SPD-12
Detailed Product Description	250-SPD-14
Unit Sections	
Optional Foam Installation	250-SPD-15
Frame Types Overview.....	250-SPD-16
Nail Fin	250-SPD-17
High Performance Nail Fin.....	250-SPD-19
Block Frame.....	250-SPD-20

Document Navigation Tips:

Items listed in the table of contents above are active links that will take you to the corresponding page. The Pella logo on each page is a link back to this table of contents. Bookmarks are also included in this PDF document and are available as an additional navigation option.

Supporting documents for this product:

Test Reports:

https://media.pella.com/professional/adm/CertificationReports/Test_Reports_Vinyl-250.pdf

CSI Specs (readable using Microsoft Word or other text editing application):

https://media.pella.com/professional/adm/Vinyl250-CSI_Specs/08_32_16_SPD-250.rtf

Detailed Product Description (readable using Microsoft Word or other text editing application):

https://media.pella.com/professional/adm/Vinyl250/V_250SD_DPD.rtf

Size Tables (requires appropriate CAD software to read and use):

https://media.pella.com/professional/adm/Vinyl250/V250-SPD-Elev_D.dwg

CAD cross sections (requires appropriate CAD software to read and use):

https://media.pella.com/professional/adm/Vinyl250/V250-SPD-Detail_D.dwg

3D & BIM (requires appropriate software to read and use):

https://media.pella.com/professional/adm/RevitFiles/250-Revit/Door-Sliding_Pella-250.zip

Sketchup (requires appropriate software to read and use):

https://media.pella.com/professional/adm/Vinyl250/PellaSKP_250Series_Sliding_Door.zip

Combination Recommendations:

https://media.pella.com/professional/adm/Vinyl250/V250_Combo.pdf

Installation Details:

<https://media.pella.com/professional/adm/Vinyl250/V250-InstallDetails.pdf>

The information published in this document is believed to be accurate at the time of publication. However, because we are constantly working to improve our products, specifications are subject to change without notice. Consult your local Pella representative for up-to-date product information.

Microsoft and Microsoft Word are registered trademarks of Microsoft Corp.



250 Series Sliding Patio Door

Size and Performance Data

250 Series Sliding Patio Door	
Sizes	
Standard Sizes ₁	S
Special Sizes Available Built on 1/8" Increments	O
Frames	
Nail Fin - 1-1/8" setback for 3-7/8" Wall Depth	S
Block Frame - 5" Frame Depth	S
Double-Wall Flush Flange - 4-3/4" Wall Depth	O
Integral 5/8" Flush Flange - 4-3/4" Wall Depth	O
Performance₂	
Meets or Exceeds AAMA/WDMA Ratings	SGD - LC35 - LC50
Air Infiltration ₃ (cfm/ft ² of frame @ 1.57 psf wind pressure)	0.14
Design Pressure (psf)	35 - 50
Water Resistance (psf)	5.25 - 7.52
Forced Entry ₄	25 / 40
Maximum Operating Force (lb) (Initiate Motion / Maintain Motion)	12 / 10

Sound Transmission Class and Outdoor-Indoor Transmission Class

Frame Size Tested ₅	Glazing System				STC Rating	OITC Rating
	Overall Glazing Thickness	Exterior Glass Thickness	Interior Glass Thickness	Third Pane Thickness		
Sliding Door - Dual-Pane Insulating Glass						
71-7/8" x 79-3/4"	3/4"	3mm	3mm	-	29	24
71-7/8" x 79-3/4"	1"	5mm	3mm	-	32	26
Sliding Door - Triple-Pane Insulating glass						
71-7/8" x 79-3/4"	1"	3mm	3mm	3mm	29	24
Sidelight Window - Dual-Pane Insulating Glass						
23-5/8" x 79-3/4"	3/4"	3mm	3mm	-	30	25
23-5/8" x 79-3/4"	1"	5mm	3mm	-	32	26
Sidelight Window - Triple-Pane Insulating Glass						
23-5/8" x 79-3/4"	1"	3mm	3mm	3mm	29	24

S = Standard; O = Optional; (-) = Not Available

(1) See size charts in this section for available sizes.

(2) Published performance data is for single unit only. Pella® 350 Series Patio Doors do not have mulling capabilities. All products must be installed in separate openings.

(3) Published performance Data for air infiltration is determined by testing a minimum of four (4) products of NFRC model size or smaller. Testing is conducted in accordance with ASTM E283. Air infiltration ratings for products will differ by size. The performance data does not apply to combination assemblies unless notes. Actual product performance may vary for a number of reasons including installation and product care.

(4) The higher the level, the greater the product's ability to resist forced entry. To achieve Grade 40 rating on ASTM F842 (forced entry excluding glass breakage), the optional footbolt must be installed and engaged.

(5) ASTM E 1425 defines standard sizes for acoustical testing. Ratings achieved at that size are representative of all sizes of the same configuration.

The presence of low-E or argon have negligible effect on sound attenuation characteristics.

Performance with additional options may not be the same as Standard and Special size units. Please contact your local Pella representative for complete information.



250 Series Sliding Patio Door

Features and Options

	250 Series Sliding Patio Door		250 Series Sliding Patio Door
Glazing		Grilles	
Glazing Type		Grille Profiles	
Dual-pane insulating glass	S	3/4" Contour	O
Triple-pane insulating glass	O	5/8" Flat	O
Insulated Glass Options / Low-E Types		Grille Patterns	
Advanced Low-E	S	Traditional	O
NaturalSun Low-E	O	9-Lite Prairie	O
SunDefense™ Low-E ₁	O	6-Lite Prairie	O
Bronze-tinted Advanced Low-E ₁	O	Top Row	O
Additional Glazing Options		Custom – Equally Divided	O
Tempered Glass	S	Blinds-Between-the-Glass (Select Sizes Only)	
Obscure Glass ₂	O	White, Slate Gray, Espresso	O
Low-E insulating glass with Blinds-Between-The-Glass ₂ (Dual-Pane air-filled only)	O	Screen	
Noise reduction glass (STC 3mm/5mm combination) ₁	O	No Screen	O
Gas Fill / High Altitude		InView™ Fiberglass Sliding Screen	S
Argon	S	Door Handle Finishes	
High altitude	O	Color matched to frame	S
High altitude with argon ₁	O	Additional Interior Finishes (Satin Nickel, Oil-Rubbed Bronze)	O
Interior/Exterior Color		Keyed Lock	S
White Interior/White Exterior	S		
Almond Interior/Almond Exterior	O		
Fossil Interior/Fossil Exterior	O		
White Interior/Brown Exterior	O		
White Interior/Black Exterior	O		

S = Standard; O = Optional

(1) Not available with triple-pane glazing.

(2) Contact your local Pella sales representative for current offering.

(3) Low-E coatings are limited on laminated glass, see Detailed Product Description or Glazing Performance for full details.

(4) Available on doors with white, brown or almond exteriors only.



250 Series Sliding Patio Door

Glazing Performance - Total Unit

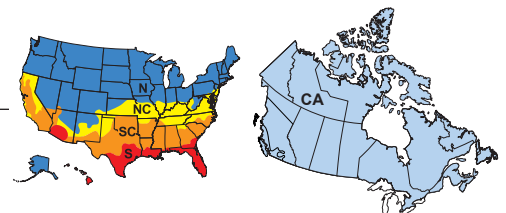
Glazing Thickness	Type of Glazing	NFRC Certified Product #	Glass (mm)		Gap Fill	Performance Values ₁				Shaded Areas Meet ENERGY STAR® Performance Criteria in Zones Shown					
			Ext.	Int.		U-Factor	SHGC	VLT	CR	U. S.		Canada ₂			
										Zone	ER	Zone	ER	Zone	
1" and 3/4" Dual-Pane Insulating glass										N	NC	SC	S	CA	
1"	Advanced Low-E IG with between-the-glass Options														
	Blinds Open	PEL-N-251-00041-00001	3	3	Air	0.40	0.28	0.52	45						
1"	SunDefense™ Low-E IG with between-the-glass Options														
	Blinds Open	PEL-N-251-00042-00001	3	3	Air	0.40	0.21	0.48	45						
3/4"	Advanced Low-E IG	PEL-N-251-00002-00001	3	3	Air	0.33	0.28	0.52	56						
	with 3/4" grilles-between-the-glass	PEL-N-251-00002-00002				0.33	0.25	0.46	56						
3/4"	Advanced Low-E IG	PEL-N-251-00005-00001	3	3	Argon	0.30	0.28	0.52	58	N	NC				
	with 3/4" grilles-between-the-glass	PEL-N-251-00005-00002				0.30	0.25	0.46	58	N	NC	SC	S		
3/4"	Advanced Low-E IG	PEL-N-251-00009-00001	5	5	Air	0.35	0.28	0.51	53						
	with 3/4" grilles-between-the-glass	PEL-N-251-00010-00001				0.36	0.25	0.45	53						
3/4"	Advanced Low-E IG	PEL-N-251-00015-00001	5	5	Argon	0.31	0.28	0.51	57						
	with 3/4" grilles-between-the-glass	PEL-N-251-00016-00001				0.32	0.24	0.45	57						
3/4"	NaturalSun Low-E IG	PEL-N-251-00001-00001	3	3	Air	0.34	0.49	0.59	56						
	with 3/4" grilles-between-the-glass	PEL-N-251-00001-00002				0.34	0.43	0.52	56						
3/4"	NaturalSun Low-E IG	PEL-N-251-00004-00001	3	3	Argon	0.31	0.49	0.59	58						
	with 3/4" grilles-between-the-glass	PEL-N-251-00004-00002				0.31	0.43	0.52	58						
3/4"	NaturalSun Low-E IG	PEL-N-251-00007-00001	5	5	Air	0.36	0.47	0.58	53						
	with 3/4" grilles-between-the-glass	PEL-N-251-00008-00001				0.37	0.41	0.51	53						
3/4"	NaturalSun Low-E IG	PEL-N-251-00013-00001	5	5	Argon	0.32	0.47	0.58	56						
	with 3/4" grilles-between-the-glass	PEL-N-251-00014-00001				0.33	0.41	0.51	56						
3/4"	SunDefense™ Low-E IG	PEL-N-251-00003-00001	3	3	Air	0.33	0.21	0.48	57						
	with 3/4" grilles-between-the-glass	PEL-N-251-00003-00002				0.33	0.19	0.42	57						
3/4"	SunDefense™ Low-E IG	PEL-N-251-00006-00001	3	3	Argon	0.29	0.21	0.48	58	N	NC	SC	S		
	with 3/4" grilles-between-the-glass	PEL-N-251-00006-00002				0.29	0.19	0.42	58	N	NC	SC	S		
3/4"	SunDefense™ Low-E IG	PEL-N-251-00011-00001	5	5	Air	0.35	0.22	0.47	54						
	with 3/4" grilles-between-the-glass	PEL-N-251-00012-00001				0.36	0.19	0.41	54						
3/4"	SunDefense™ Low-E IG	PEL-N-251-00017-00001	5	5	Argon	0.30	0.21	0.47	57	N	NC	SC	S		
	with 3/4" grilles-between-the-glass	PEL-N-251-00018-00001				0.32	0.19	0.41	57						

R-Value = 1/U-Factor
 SHGC = Solar Heat Gain Coefficient
 VLT % = Visible Light Transmission
 CR = Condensation Resistance
 ER = Canadian Energy Rating

(1) Glazing performance values are calculated based on NFRC 100, NFRC 200 and NFRC 500. ENERGY STAR® values are updated to 2016 (Version 6) criteria.

(2) The values shown are based on Canada's updated ENERGY STAR® 2020 initiative.

Based on unit size, some products will use 2.5mm glass that may have improved glazing performance from what is shown. See the Product Performance section for more detailed information or visit www.energystar.gov for Energy Star guidelines.





250 Series Sliding Patio Door

Glazing Performance - Total Unit

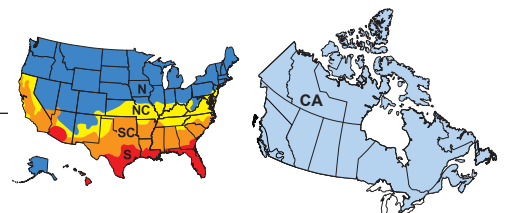
Glazing Thickness	Type of Glazing	NFRC Certified Product #	Glass (mm)		Gap Fill	Performance Values ₁				Shaded Areas Meet ENERGY STAR® Performance Criteria in Zones Shown					
			Ext.	Int.		U-Factor	SHGC	VLT	CR	U. S.		Canada ₂			
										Zone	ER	Zone	ER	Zone	
1" and 3/4" Dual-Pane Insulating glass – with Panel Foam Inserts										N	NC	SC	S	CA	
1"	Advanced Low-E IG with between-the-glass Options														
	Blinds Open	PEL-N-251-00083-00001	3	3	Air	0.38	0.28	0.52	46						
1"	SunDefense™ Low-E IG with between-the-glass Options														
	Blinds Open	PEL-N-251-00084-00001	3	3	Air	0.38	0.21	0.48	46						
3/4"	Advanced Low-E IG	PEL-N-251-00044-00001	3	3	Air	0.31	0.28	0.52	57						
	with 3/4" grilles-between-the-glass	PEL-N-251-00044-00002				0.31	0.25	0.46	57						
3/4"	Advanced Low-E IG	PEL-N-251-00047-00001	3	3	Argon	0.28	0.28	0.52	60	N	NC				
	with 3/4" grilles-between-the-glass	PEL-N-251-00047-00002				0.28	0.25	0.46	60	N	NC	SC	S		
3/4"	Advanced Low-E IG	PEL-N-251-00051-00001	5	5	Air	0.33	0.28	0.51	53						
	with 3/4" grilles-between-the-glass	PEL-N-251-00052-00001				0.34	0.25	0.45	53						
3/4"	Advanced Low-E IG	PEL-N-251-00057-00001	5	5	Argon	0.29	0.28	0.51	57	N	NC				
	with 3/4" grilles-between-the-glass	PEL-N-251-00058-00001				0.30	0.24	0.45	57	N	NC	SC	S		
3/4"	NaturalSun Low-E IG	PEL-N-251-00043-00001	3	3	Air	0.32	0.49	0.59	56						
	with 3/4" grilles-between-the-glass	PEL-N-251-00043-00002				0.32	0.43	0.52	56						
3/4"	NaturalSun Low-E IG	PEL-N-251-00046-00001	3	3	Argon	0.29	0.49	0.59	59						
	with 3/4" grilles-between-the-glass	PEL-N-251-00046-00002				0.29	0.43	0.52	59						
3/4"	NaturalSun Low-E IG	PEL-N-251-00049-00001	5	5	Air	0.34	0.47	0.58	53						
	with 3/4" grilles-between-the-glass	PEL-N-251-00050-00001				0.35	0.41	0.51	53						
3/4"	NaturalSun Low-E IG	PEL-N-251-00055-00001	5	5	Argon	0.30	0.47	0.58	57						
	with 3/4" grilles-between-the-glass	PEL-N-251-00056-00001				0.31	0.41	0.51	57						
3/4"	SunDefense™ Low-E IG	PEL-N-251-00045-00001	3	3	Air	0.31	0.21	0.48	57						
	with 3/4" grilles-between-the-glass	PEL-N-251-00045-00002				0.31	0.19	0.42	57						
3/4"	SunDefense™ Low-E IG	PEL-N-251-00048-00001	3	3	Argon	0.27	0.21	0.48	60	N	NC	SC	S		
	with 3/4" grilles-between-the-glass	PEL-N-251-00048-00002				0.27	0.19	0.42	60	N	NC	SC	S		
3/4"	SunDefense™ Low-E IG	PEL-N-251-00053-00001	5	5	Air	0.33	0.22	0.47	54						
	with 3/4" grilles-between-the-glass	PEL-N-251-00054-00001				0.34	0.19	0.41	54						
3/4"	SunDefense™ Low-E IG	PEL-N-251-00059-00001	5	5	Argon	0.28	0.21	0.47	58	N	NC	SC	S		
	with 3/4" grilles-between-the-glass	PEL-N-251-00060-00001				0.30	0.19	0.41	58	N	NC	SC	S		

R-Value = 1/U-Factor
 SHGC = Solar Heat Gain Coefficient
 VLT % = Visible Light Transmission
 CR = Condensation Resistance
 ER = Canadian Energy Rating

(1) Glazing performance values are calculated based on NFRC 100, NFRC 200 and NFRC 500. ENERGY STAR® values are updated to 2016 (Version 6) criteria.

(2) The values shown are based on Canada's updated ENERGY STAR® 2020 initiative.

Based on unit size, some products will use 2.5mm glass that may have improved glazing performance from what is shown. See the Product Performance section for more detailed information or visit www.energystar.gov for Energy Star guidelines.





250 Series Sliding Patio Door

Glazing Performance - Total Unit

Glazing Thickness	Type of Glazing	NFRC Certified Product #	Glass (mm)		Gap Fill	Performance Values ₁				Shaded Areas Meet ENERGY STAR® Performance Criteria in Zones Shown				
			Ext.	Int.		U-Factor	SHGC	VLT	CR	U. S.		Canada ₂		
										Zone	ER	Zone	ER	Zone
3/4" Dual-Pane Tinted Insulating Glass										N	NC	SC	S	CA
3/4"	Bronze Advanced Low-E IG	PEL-N-251-00002-00006	3	3	Air	0.33	0.28	0.39	56					
	with 3/4" grilles-between-the-glass	PEL-N-251-00002-00007				0.33	0.25	0.34	56					
3/4"	Bronze Advanced Low-E IG	PEL-N-251-00005-00006	3	3	Argon	0.30	0.28	0.39	58	N	NC			
	with 3/4" grilles-between-the-glass	PEL-N-251-00005-00007				0.30	0.24	0.34	58	N	NC	SC	S	
3/4"	Bronze Advanced Low-E IG	PEL-N-251-00009-00002	5	5	Air	0.35	0.25	0.33	53					
	with 3/4" grilles-between-the-glass	PEL-N-251-00010-00005				0.36	0.23	0.29	53					
3/4"	Bronze Advanced Low-E IG	PEL-N-251-00015-00002	5	5	Argon	0.31	0.25	0.33	57					
	with 3/4" grilles-between-the-glass	PEL-N-251-00016-00005				0.32	0.22	0.29	57					
3/4" Dual-Pane Tinted Insulating Glass – with Panel Foam Inserts														
3/4"	Bronze Advanced Low-E IG	PEL-N-251-00044-00006	3	3	Air	0.31	0.28	0.39	57					
	with 3/4" grilles-between-the-glass	PEL-N-251-00044-00007				0.31	0.25	0.34	57					
3/4"	Bronze Advanced Low-E IG	PEL-N-251-00047-00006	3	3	Argon	0.28	0.28	0.39	60	N	NC			
	with 3/4" grilles-between-the-glass	PEL-N-251-00047-00007				0.28	0.24	0.34	60	N	NC	SC	S	
3/4"	Bronze Advanced Low-E IG	PEL-N-251-00051-00002	5	5	Air	0.33	0.25	0.33	53					
	with 3/4" grilles-between-the-glass	PEL-N-251-00052-00005				0.34	0.23	0.29	53					
3/4"	Bronze Advanced Low-E IG	PEL-N-251-00057-00002	5	5	Argon	0.29	0.25	0.33	57	N	NC	SC	S	
	with 3/4" grilles-between-the-glass	PEL-N-251-00058-00005				0.30	0.22	0.29	57	N	NC	SC	S	

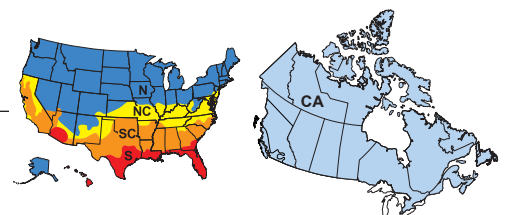
R-Value = 1/U-Factor
 SHGC = Solar Heat Gain Coefficient
 VLT % = Visible Light Transmission
 CR = Condensation Resistance
 ER = Canadian Energy Rating

(1) Glazing performance values are calculated based on NFRC 100, NFRC 200 and NFRC 500. ENERGY STAR® values are updated to 2016 (Version 6) criteria.

(2) The values shown are based on Canada's updated ENERGY STAR® 2020 initiative.

Based on unit size, some products will use 2.5mm glass that may have improved glazing performance from what is shown.

See the Product Performance section for more detailed information or visit www.energystar.gov for Energy Star guidelines.





250 Series Sliding Patio Door

Glazing Performance - Total Unit

Glazing Thickness	Type of Glazing	NFRC Certified Product #	Glass (mm)			Gap Fill	Performance Values ₁				Shaded Areas Meet ENERGY STAR® Performance Criteria in Zones Shown					
			Ext.	Middle	Int.		U-Factor	SHGC	VLT	CR	U. S.				Canada ₂	
											Zone				ER	Zone
1" Triple-Pane Insulating glass											N	NC	SC	S		
1"	Advanced Low-E IG	PEL-N-251-00029-00001	3	3	3	Argon	0.24	0.24	0.41	60	N	NC	SC	S		
	with 3/4" grilles-between-the-glass	PEL-N-251-00030-00001					0.24	0.21	0.36	60	N	NC	SC	S		
1"	Advanced Low-E IG	PEL-N-251-00037-00001	4	4	4	Argon	0.25	0.23	0.40	59	N	NC	SC	S		
	with 3/4" grilles-between-the-glass	PEL-N-251-00038-00001					0.26	0.21	0.35	59	N	NC	SC	S		
1"	NaturalSun Low-E IG	PEL-N-251-00031-00001	3	3	3	Argon	0.24	0.42	0.52	59					34	CA
	with 3/4" grilles-between-the-glass	PEL-N-251-00032-00001					0.25	0.37	0.45	59	N	NC				
1"	NaturalSun Low-E IG	PEL-N-251-00039-00001	4	4	4	Argon	0.26	0.41	0.51	59						
	with 3/4" grilles-between-the-glass	PEL-N-251-00040-00001					0.27	0.36	0.45	59	N	NC				
1" Triple-Pane Insulating glass – with Panel Foam Inserts												NC	SC	S		
1"	Advanced Low-E IG	PEL-N-251-00071-00001	3	3	3	Argon	0.22	0.24	0.41	65		NC	SC	S		
	with 3/4" grilles-between-the-glass	PEL-N-251-00072-00001					0.22	0.21	0.36	65	N	NC	SC	S		
1"	Advanced Low-E IG	PEL-N-251-00079-00001	4	4	4	Argon	0.23	0.23	0.40	64	N	NC	SC	S		
	with 3/4" grilles-between-the-glass	PEL-N-251-00080-00001					0.24	0.21	0.35	64	N	NC	SC	S		
1"	NaturalSun Low-E IG	PEL-N-251-00073-00001	3	3	3	Argon	0.22	0.42	0.52	64					36	CA
	with 3/4" grilles-between-the-glass	PEL-N-251-00074-00001					0.23	0.37	0.45	64	N	NC				
1"	NaturalSun Low-E IG	PEL-N-251-00081-00001	4	4	4	Argon	0.24	0.41	0.51	64						
	with 3/4" grilles-between-the-glass	PEL-N-251-00082-00001					0.25	0.36	0.45	64	N	NC				

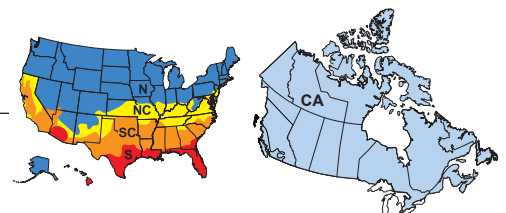
R-Value = 1/U-Factor
 SHGC = Solar Heat Gain Coefficient
 VLT % = Visible Light Transmission
 CR = Condensation Resistance
 ER = Canadian Energy Rating

(1) Glazing performance values are calculated based on NFRC 100, NFRC 200 and NFRC 500. ENERGY STAR® values are updated to 2016 (Version 6) criteria.

(2) The values shown are based on Canada's updated ENERGY STAR® 2020 initiative.

Based on unit size, some products will use 2.5mm glass that may have improved glazing performance from what is shown.

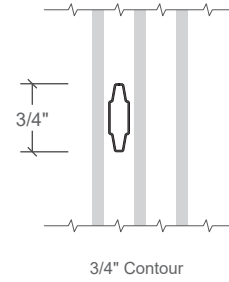
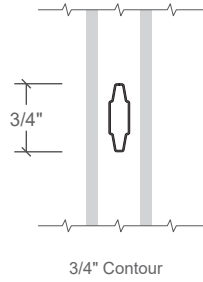
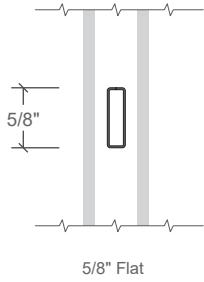
See the Product Performance section for more detailed information or visit www.energystar.gov for Energy Star guidelines.



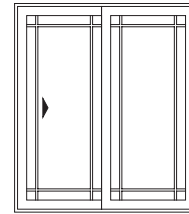
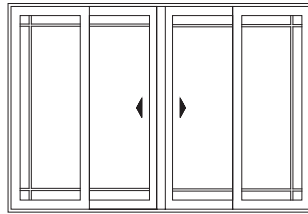
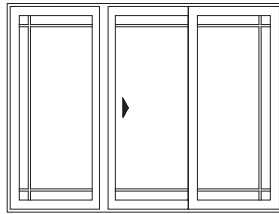
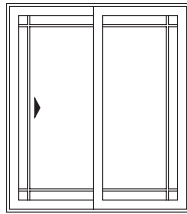


Grille Profiles

Grilles-Between-the-Glass

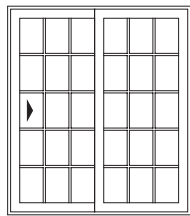


Grille Patterns

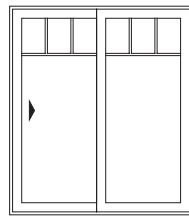


6-Lite Prairie

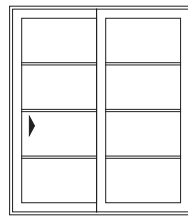
9-Lite Prairie



Traditional



Top Row



Custom - Equally Divided

For traditional patterns, see size tables.



250 Series Sliding Patio Door

Size Tables

Transoms	(1 524) (1 511)	(1 829) (1 816)	(2 134) (2 121)	(2 286) (2 273)	(2 438) (2 426)
Opening	5' 0"	6' 0"	7' 0"	7' 6"	8' 0"
Frame	59 1/2"	71 1/2"	83 1/2"	89 1/2"	95 1/2"

Sidelights	(762) (749)	(843) (830)	(914) (902)	(995) (983)	(1 219) (1 207)
Opening	2' 6"	2' 9 3/16"	3' 0"	3' 3 3/16"	4' 0"
Frame	29 1/2"	32 11/16"	35 1/2"	38 11/16"	47 1/2"

2-Panel (XO)

	(1 524) (1 511)	(1 829) (1 816)	(2 134) (2 121)	(2 438) (2 426)
Opening	5' 0"	6' 0"	7' 0"	8' 0"
Frame	59 1/2"	71 1/2"	83 1/2"	95 1/2"

3-Panel (OXO)

	(2 286) (2 273)	(2 329) (2 316)	(2 743) (2 731)	(2 791) (2 778)	(3 200) (3 188)	(3 658) (3 645)
Opening	7' 6"	7' 8 5/16"	9' 0"	9' 1 7/8"	10' 6"	12' 0"
Frame	89 1/2"	91 3/8"	107 1/2"	109 3/8"	125 1/2"	143 1/2"

(1) "X" indicates venting or sliding panel and "O" indicates fixed panel as viewed from the exterior. Doors shown as XO are also available as OX.

All doors, transoms and sidelights are glazed with tempered glass. Combinations require reinforcing mullions between units.

Select sizes available with Blinds-Between-The-Glass.



250 Series Sliding Patio Door

Size Tables

4-Panel (OXXO)

	(3 016) (3 004)	(3 048) (3 035)	(3 626) (3 613)	(3 658) (3 645)	(4 877) (4 864)
Opening	9' 10 ³ / ₄ "	10' 0"	11' 10 ³ / ₄ "	12' 0"	16' 0"
Frame	118 ¹ / ₄ "	119 ¹ / ₂ "	142 ¹ / ₄ "	143 ¹ / ₂ "	191 ¹ / ₂ "

6' 8" (2 032) 79 ¹ / ₂ " (2 019)					
	9-11/6-8	10-0/6-8	11-11/6-8	12-0/6-8	16-0/6-8
	6' 10" (2 083) 81 ¹ / ₂ " (2 070)				
9-11/6-10		10-0/6-10	11-11/6-10	12-0/6-10	16-0/6-10
8' 0" (2 438) 95 ¹ / ₂ " (2 426)					
	9-11/8-0	10-0/8-0	11-11/8-0	12-0/8-0	16-0/8-0

Combinations require reinforcing mullions between units.
 All doors and sidelights are glazed with tempered glass.
 Select sizes available with Blinds-Between-The-Glass.



250 Series Sliding Patio Door

Special Size and Dimensions

Type	Example	Minimum	Maximum
2-Panel (OX / XO)		46-1/2" W x 70-1/2" H (1 181 x 1 791)	95-1/2" W x 95-1/2" H (2 426 x 2 426)
3-Panel (OXO)		71-1/2" W x 70-1/2" H (1 816 x 1 791)	143-1/2" W x 95-1/2" H (3 645 x 2 426)
4-Panel (OXXO)		95-1/2" W x 70-1/2" H (2 426 x 1 791)	191-1/2" W x 95-1/2" H (4 864 x 2 426)
Sidelight (O)		14-1/2" W x 70-1/2" H (368 x 1 791)	47-1/2" W x 95-1/2" H (1 207 x 2 426)
Transom		30" W x 14-1/2" H (762 x 368)	95-1/2" W x 47-1/2" H (4 864 x 1 207)

General Notes:

- Special sizes are available within the parameters shown on 1/8" increments except for units with Blinds-Between-the-Glass.
- FH = Rough Opening - 0.5"; FW = Rough Opening - 0.5"
- 3-Panel with Blinds-Between-the-Glass have frame widths available in 3/8" increments beginning at the minimum frame width of 71-1/2".
- 4-Panel with Blinds-Between-the-Glass have frame width available in 1/4" increments beginning at the minimum frame width of 95-1/2".

Miscellaneous Formulas

	Doors	Transoms / Sidelights
Panel	Panel Height = FH - 2.6875" XO / OX Panel Width = FW ÷ 2 + 0.5625" OXO Panel Width = FW ÷ 3 - 0.1458 OXXO Panel Width = FW ÷ 4 + 0.75	Not Applicable
Actual Glass	Glass Height = FH - 8.125" XO / OX Glass Width = FW ÷ 2 - 4.875" OXO Glass Width = FW ÷ 3 - 5.5833 OXXO Glass Width = FW ÷ 4 - 4.6875	Glass Height = FH - 4.875" Glass Width = FW - 4.875"
Visible Glass	VG Height = FH - 6.065" XO / OX VG Width = FW ÷ 2 - 6.065" OXO VG Width = FW ÷ 3 - 6.7733 OXXO VG Width = FW ÷ 4 - 5.8775	VG Height = FH - 6.084" VG Width = FW - 6.084"
Clear Opening	Height = FH - 3.534" XO / OX Clear Opening Width = FW ÷ 2 - 7.6215" OXO Clear Opening Width = FW ÷ 3 - 8.3303 OXXO Clear Opening Width = FW ÷ 2 - 14.286	Not Applicable

Blinds-Between-the-Glass are available in select door and sidelight sizes only.

To convert areas to square meters (m²), multiply square feet by 0.0929.



250 Series Sliding Patio Door

Design Data

Call Out	Frame		Clear Opening		Vent Area Ft ²	Total Unit Visible Glass Area Ft ²	Standard Tempered Glass Thickness (mm)	Performance Class & Grade ¹		Structural	
	Width (Inches)	Height (Inches)	Width (Inches)	Height (Inches)				Standard	High Performance	Standard	High Performance
XO/OX Venting Units											
5-0/6-8	59-1/2	79-1/2	22-1/8	75-15/16	11.7	23.1	3	LC50	–	50	–
6-0/6-8	71-1/2	79-1/2	28-1/8	75-15/16	14.8	28.9	3	LC50	–	50	–
7-0/6-8	83-1/2	79-1/2	34-1/8	75-15/16	18.0	34.8	5	LC50	–	50	–
8-0/6-8	95-1/2	79-1/2	40-1/8	75-15/16	21.2	40.6	5	LC50	–	50	–
5-0/6-10	59-1/2	81-1/2	22-1/8	77-15/16	12.0	23.7	3	LC50	–	50	–
6-0/6-10	71-1/2	81-1/2	28-1/8	77-15/16	15.2	29.8	3	LC50	–	50	–
7-0/6-10	83-1/2	81-1/2	34-1/8	77-15/16	18.5	35.8	5	LC35	LC50	40	50
8-0/6-10	95-1/2	81-1/2	40-1/8	77-15/16	21.7	41.8	5	LC35	LC50	40	50
5-0/8-0	59-1/2	95-1/2	22-1/8	91-15/16	14.1	28.4	5	LC35	LC50	30	50
6-0/8-0	71-1/2	95-1/2	28-1/8	91-15/16	18.0	35.5	5	LC35	LC50	30	50
7-0/8-0	83-1/2	95-1/2	34-1/8	91-15/16	21.8	42.7	5	LC35	LC50	30	50
8-0/8-0	95-1/2	95-1/2	40-1/8	91-15/16	25.6	49.9	5	LC35	LC50	30	50
OXO Venting Units											
7-6/6-8	89-1/2	79-1/2	21-1/2	75-15/16	11.3	33.7	3	LC35	–	50	–
7-8/6-8	91-3/8	79-1/2	22-1/8	75-15/16	11.7	34.6	3	LC35	–	50	–
9-0/6-8	107-1/2	79-1/2	27-1/2	75-15/16	14.5	42.5	3	LC35	–	50	–
9-2/6-8	109-3/8	79-1/2	28-1/8	75-15/16	14.8	43.4	3	LC35	–	50	–
10-6/6-8	125-1/2	79-1/2	33-1/2	75-15/16	3.7	7.4	5	LC35	–	50	–
12-0/6-8	143-1/2	79-1/2	39-1/2	75-15/16	20.8	60.0	5	LC35	–	50	–
7-6/6-10	89-1/2	81-1/2	21-1/2	77-15/16	11.6	34.7	3	LC35	–	50	–
7-8/6-10	91-3/8	81-1/2	22-1/8	77-15/16	12.0	35.6	3	LC35	–	50	–
9-0/6-10	107-1/2	81-1/2	27-1/2	77-15/16	14.9	43.7	3	LC35	–	50	–
9-2/6-10	109-3/8	81-1/2	28-1/8	77-15/16	15.2	44.6	3	LC35	–	50	–
10-6/6-10	125-1/2	81-1/2	33-1/2	77-15/16	18.1	52.7	5	LC35	–	35	–
12-0/6-10	143-1/2	81-1/2	39-1/2	77-15/16	21.4	61.7	5	LC35	–	35	–
7-6/8-0	89-1/2	95-1/2	21-1/2	91-15/16	13.7	41.4	5	LC35	–	35	–
7-8/8-0	91-3/8	95-1/2	22-1/8	91-15/16	14.1	42.5	5	LC35	–	35	–
9-0/8-0	107-1/2	95-1/2	27-1/2	91-15/16	17.6	52.2	5	LC35	–	35	–
9-2/8-0	109-3/8	95-1/2	28-1/8	91-15/16	18.0	53.3	5	LC35	–	35	–
10-6/8-0	125-1/2	95-1/2	33-1/2	91-15/16	21.4	63.0	5	LC35	–	35	–
12-0/8-0	143-1/2	95-1/2	39-1/2	91-15/16	25.2	73.7	5	LC35	–	35	–

(–) = Not Available

(1) Maximum performance when glazed with the appropriate glass thickness. Second Value, where shown, requires performance upgrade.

To convert areas to square meters (m²), multiply square feet by 0.0929.



250 Series Sliding Patio Door

Design Data

Call Out	Frame		Clear Opening		Vent Area Ft ²	Total Unit Visible Glass Area Ft ²	Standard Tempered Glass Thickness (mm)	Performance Class & Grade ¹		Structural	
	Width (Inches)	Height (Inches)	Width (Inches)	Height (Inches)				Standard	High Performance	Standard	High Performance
OXXO Venting Units											
9-10/6-8	118-1/4	79-1/2	45-1/4	75-15/16	23.9	46.6	3	LC35	–	50	–
10-0/6-8	119-1/2	79-1/2	45-7/16	75-15/16	24.0	46.8	3	LC35	–	50	–
11-10/6-8	142-1/4	79-1/2	57	75-15/16	30.1	58.1	3	LC35	–	50	–
12-0/6-8	143-1/2	79-1/2	57-7/16	75-15/16	30.3	58.5	3	LC35	–	50	–
16-0/6-8	191-1/2	79-1/2	81-7/16	75-15/16	43.0	81.9	5	LC35	–	50	–
9-10/6-10	118-1/4	81-1/2	45-1/4	77-15/16	24.5	47.9	3	LC35	–	50	–
10-0/6-10	119-1/2	81-1/2	45-7/16	77-15/16	24.6	48.1	3	LC35	–	50	–
11-10/6-10	142-5/8	81-1/2	57	77-15/16	30.9	59.7	3	LC35	–	50	–
12-0/6-10	143-1/2	81-1/2	57-7/16	77-15/16	31.1	60.1	3	LC35	–	50	–
16-0/6-10	191-1/2	81-1/2	81-7/16	77-15/16	44.1	84.2	5	LC35	–	35	–
9-10/8-0	118-1/4	95-1/2	45-1/4	91-15/16	28.9	57.2	5	LC35	–	35	–
10-0/8-0	119-1/2	95-1/2	45-7/16	91-15/16	29.0	57.5	5	LC35	–	35	–
11-10/8-0	142-5/8	95-1/2	57	91-15/16	36.4	71.3	5	LC35	–	35	–
12-0/8-0	143-1/2	95-1/2	57-7/16	91-15/16	36.7	71.8	5	LC35	–	35	–
16-0/8-0	191-1/2	95-1/2	81-7/16	91-15/16	52.0	100.5	5	LC35	–	35	–
Sidelights											
2-6/6-7	29-1/2	79-3/16	–	–	–	11.9	3	LC50	–	–	–
2-9/6-7	32-11/16	79-3/16	–	–	–	13.5	3	LC50	–	–	–
3-0/6-7	35-1/2	79-3/16	–	–	–	14.9	3	LC50	–	–	–
3-3/6-7	38-11/16	79-3/16	–	–	–	16.6	3	LC50	–	–	–
4-0/6-7	47-1/2	79-3/16	–	–	–	21.0	5	LC50	–	–	–
2-6/6-8	29-1/2	79-1/2	–	–	–	11.9	3	LC50	–	–	–
2-9/6-8	32-11/16	79-1/2	–	–	–	13.6	3	LC50	–	–	–
3-0/6-8	35-1/2	79-1/2	–	–	–	15.0	3	LC50	–	–	–
3-3/6-8	38-11/16	79-1/2	–	–	–	16.6	3	LC50	–	–	–
4-0/6-8	47-1/2	79-1/2	–	–	–	21.1	5	LC50	–	–	–
2-6/6-10	29-1/2	81-1/2	–	–	–	12.3	3	LC50	–	–	–
2-9/6-10	32-11/16	81-1/2	–	–	–	13.9	3	LC50	–	–	–
3-0/6-10	35-1/2	81-1/2	–	–	–	15.4	3	LC50	–	–	–
3-3/6-10	38-11/16	81-1/2	–	–	–	17.1	3	LC50	–	–	–
4-0/6-10	47-1/2	81-1/2	–	–	–	21.7	5	LC50	–	–	–
2-6/8-0	29-1/2	95-1/2	–	–	–	14.5	5	LC50	–	–	–
2-9/8-0	32-11/16	95-1/2	–	–	–	16.5	5	LC50	–	–	–
3-0/8-0	35-1/2	95-1/2	–	–	–	18.3	5	LC50	–	–	–
3-3/8-0	38-11/16	95-1/2	–	–	–	20.2	5	LC50	–	–	–
4-0/8-0	47-1/2	95-1/2	–	–	–	25.7	5	LC50	–	–	–
Transoms											
5-0/1-3	59-1/2	14-1/2	–	–	–	3.1	5	R50	–	–	–
6-0/1-3	71-1/2	14-1/2	–	–	–	3.8	5	R50	–	–	–
7-0/1-3	83-1/2	14-1/2	–	–	–	4.5	5	R50	–	–	–
7-6/1-3	89-1/2	14-1/2	–	–	–	4.9	5	R50	–	–	–
8-0/1-3	95-1/2	14-1/2	–	–	–	5.2	5	R50	–	–	–

(-) = Not Applicable

(1) Maximum performance when glazed with the appropriate glass thickness.

To convert areas to square meters (m²), multiply square feet by 0.0929.



250 Series Sliding Patio Door

Detailed Product Description

Frame

- Overall frame depth: 5".
- Frame members are [factory assembled, mitered and heat fused to provide a fully welded corner assembly] [Field assembled, with provided hardware]. Sill is fitted with weeps.
- Frame: [1-1/8" setback nail fin for 3-7/8" wall depth] [Block frame for 5" wall depth] [Double Wall Flush flange for 4-3/4" wall depth] [Integral 5/8 flange for 4-3/4" wall depth].
- Interior and exterior frame surfaces are extruded rigid uPVC

Door panels

- Door Panel consists of extruded rigid uPVC [with optional foam insulation].
- Panel members are mitered and heat-fused to provide a fully welded corner assembly.
- Vent panel is fully operable for ventilation.
- Vent panels have two adjustable rollers, set on a stainless steel track cap.
- Contains sealed insulating glass.

Weatherstripping

- Fin-type pile around perimeter of panels.

Glazing System

- Quality fully-tempered float glass complying with ASTM C 1036.
- Exterior face-glazed sealed insulating glass.
- 3/4" Dual-Pane insulating glass [Advanced Low-E coated [with argon]] [NaturalSun Low-E coated [with argon]] [SunDefense™ Low-E coated [with argon]] [Bronze, Advanced Low-E coated [with argon]] [Gray Low-E coated [with argon]] [Obscure₂] [High Altitude₁].
-or-
- 1" Dual Pane Low-E insulating glass [with Blinds-Between-The-Glass] [Shades-Between-The-Glass].
-or-
- 1" Triple-Pane insulating glass [Advanced Low-E coated with argon] [NaturalSun Low-E coated with argon] [Obscure₂] [High Altitude₁].

Interior / Exterior

- Frame and panel members are [[White] [Almond] [Fossil] with integral color extruded throughout the profiles] [[Brown] [Black] exterior, consisting of a solar reflective coating exceeding AAMA 613 test requirements, with White integral color extruded throughout the profiles on the interior].
- All exposed PVC surfaces are smooth, glossy and uniform in appearance.

Hardware

- Interior handle and thumb-lock; finish is [[White] [Almond] [Fossil] to match interior finish] [Satin Nickel] [Oil-Rubbed Bronze].
- Exterior handle finish Matches exterior finish.
- Keylock with K-keyway cylinder. Finish is [Chrome].
- All fasteners are a corrosion-resistant material compatible with uPVC.
- Multi-point lock, [electroplated steel] [stainless steel].
- Door rollers are adjustable, permanently-sealed, [electroplated steel with organic coated ball-bearing rollers] [corrosion resistant stainless steel, ball bearing rollers].

Screen

- InView™ Screens
 - Vinyl-coated 18/18 mesh fiberglass screen cloth complying with SMA 1201, set in aluminum extruded frame fitted to door exterior, supplied complete with all necessary hardware.
 - Supplied with four self-adjustable rollers, latch and latch handle.
 - Frame of screen matches exterior frame color.

Optional Products

Hardware

- Footbolt, available in colors to match White, Tan or Fossil interior finishes.

Grilles

- Grilles-Between-the-Glass
 - Insulating glass contains [3/4" contoured] [5/8" Flat (dual-pane glass only)] aluminum grilles permanently installed between two panes of glass (exterior air-space on triple-pane insulating glass). Patterns are [Traditional] [6-Lite Prairie] [9-Lite Prairie] [Top Row] [Custom-Equally Divided].
 - Interior grille color matches interior frame.
 - Exterior grille color [3/4" Grille is [White] [Almond₃] [Brown] [Black] [Fossil]].

Blinds

- Blinds-Between-the-Glass - (select sizes and glass configurations only)
 - [White] [Slate Gray] [Espresso] aluminum blind sealed between dual-pane Low-E insulating glass.
 - Cordless tilt, raise and lower operation.

(1) Dual-Pane IG High Altitude glazing is available with or without Argon. Triple-Pane IG High Altitude glazing is only available without Argon.

(2) Obscure glass not available with Bronze Advanced Low-E.

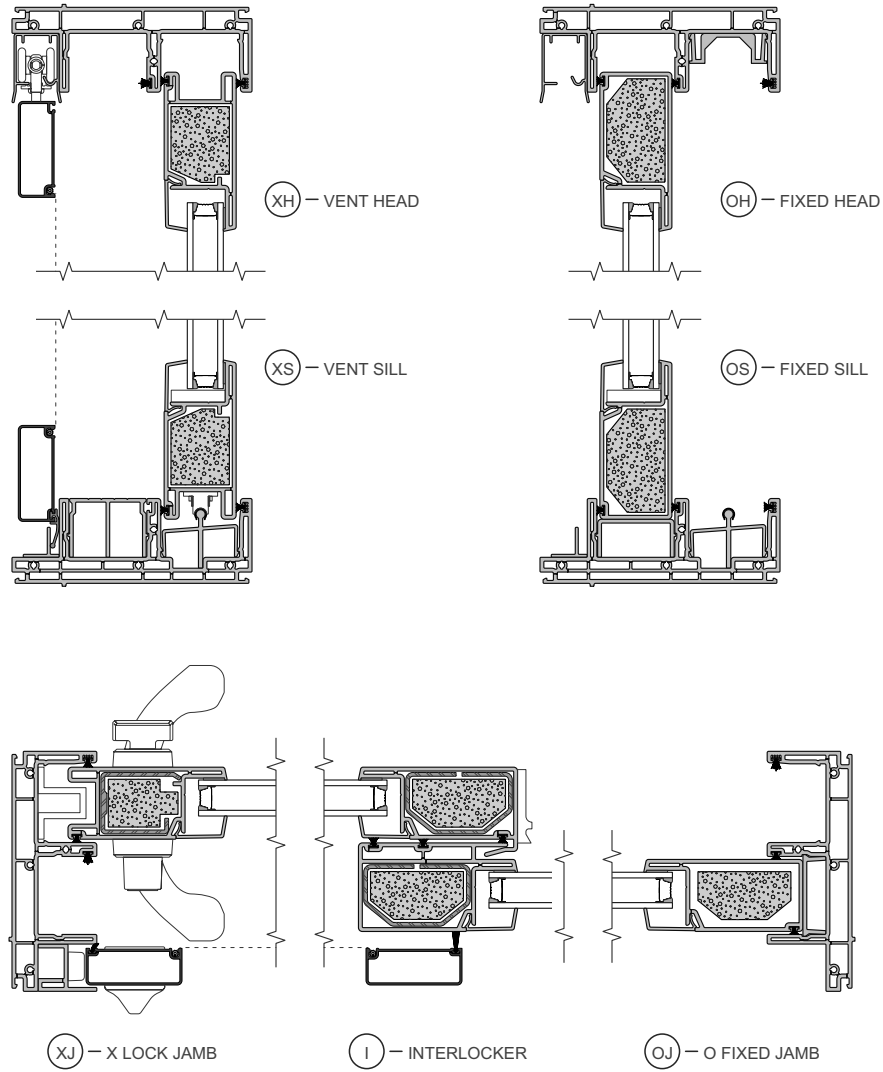
(3) Almond grilles only available on almond units. Almond units with grilles will have an almond grille color.

(4) Available only on doors with White, Almond or Brown exterior finish.



250 Series Sliding Patio Door

Unit Sections - Optional Foam Insulation



Scale 3" = 1' 0"

Combinations require reinforcing mullions between units.

All dimensions are approximate.

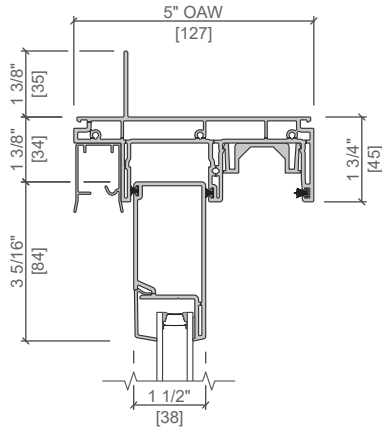


250 Series Sliding Patio Door

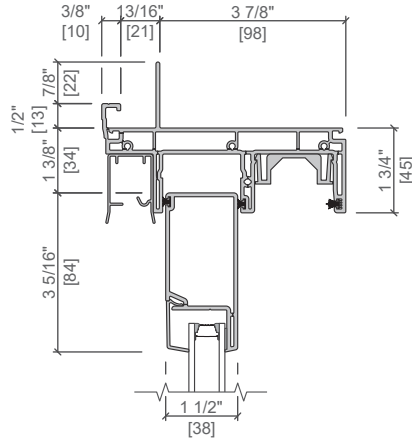
Unit Sections - Frame Types

NEW CONSTRUCTION FRAME

Standard Nail Fin

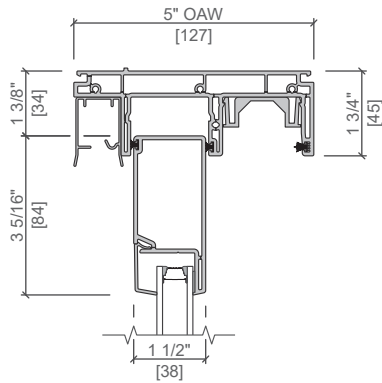


Standard Nail Fin with J-Channel

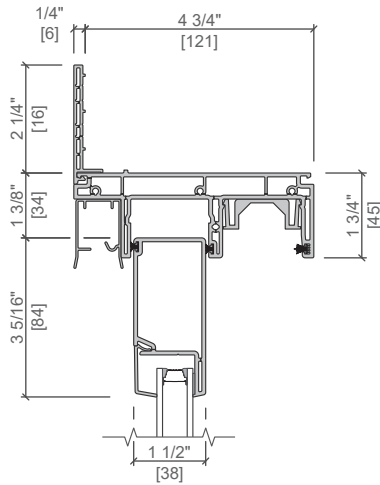


REPLACEMENT FRAME

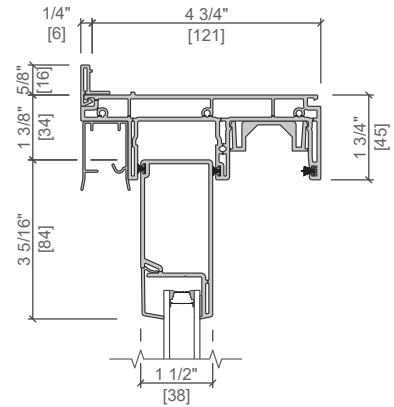
Standard Block Frame



Double Wall Flush Flange

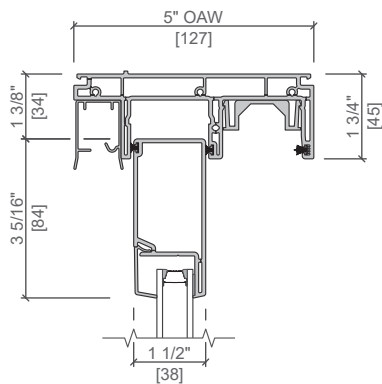


5/8" Flush Flange - Florida Region Only

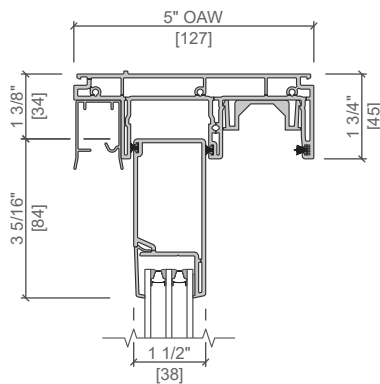


GLAZING OPTIONS

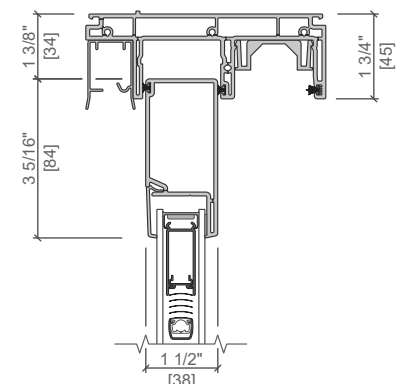
3/4" IG



1" TRIPLE PANE IG



1" IG with Shade



Scale 3" = 1' 0"

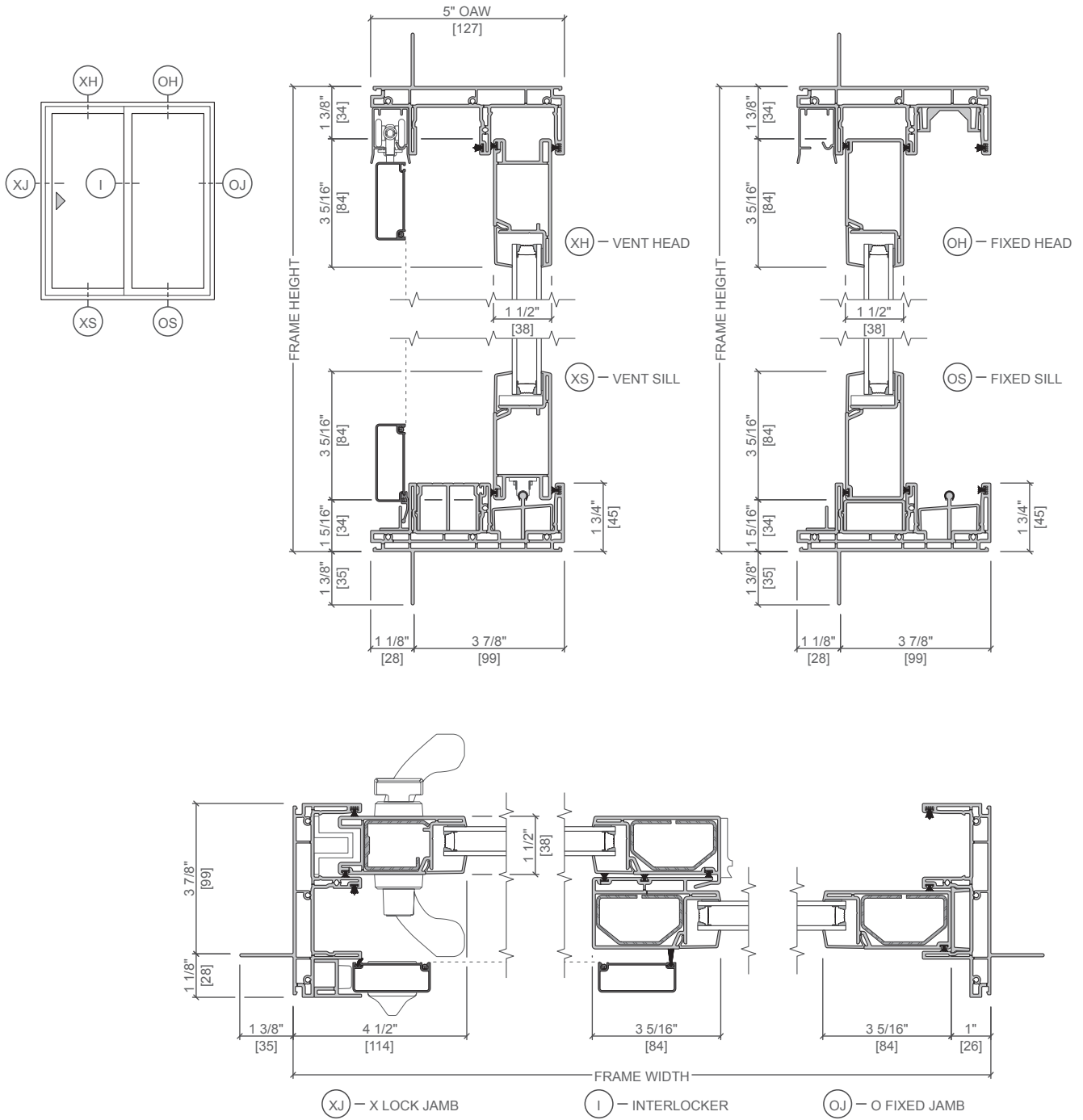
Combinations require reinforcing mullions between units.

All dimensions are approximate.



250 Series Sliding Patio Door

Unit Sections - 1-1/8" Fin Setback



Scale 3" = 1' 0"

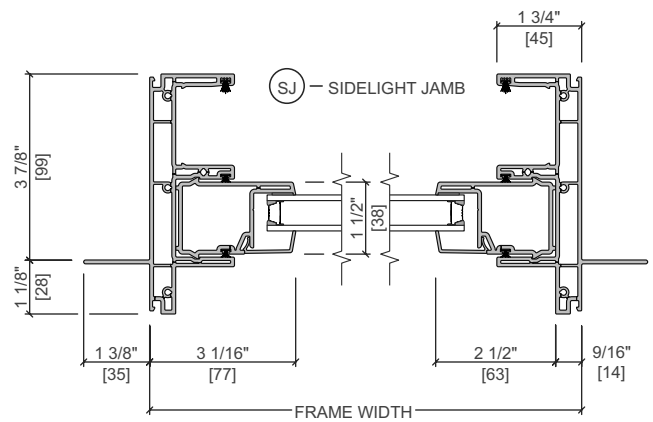
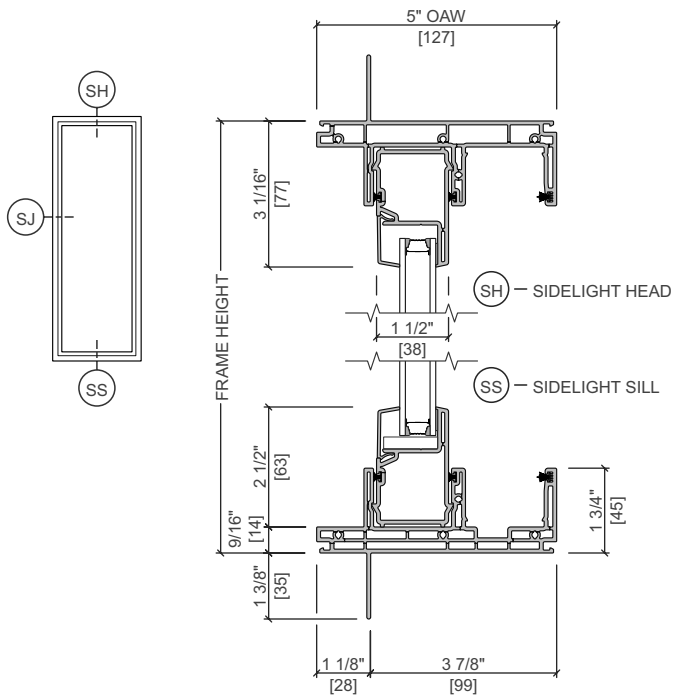
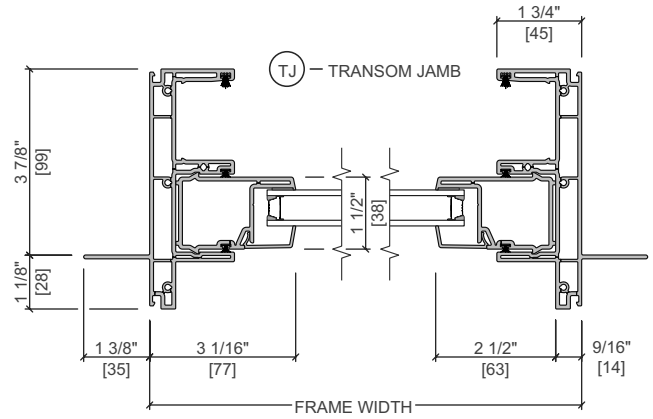
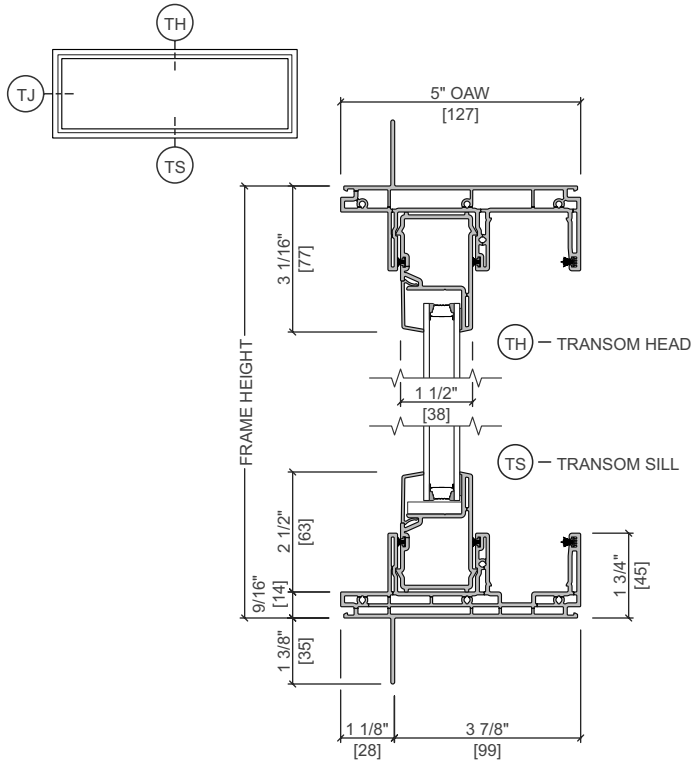
Combinations require reinforcing mullions between units.

All dimensions are approximate.



250 Series Sliding Patio Door

Unit Sections - 1-1/8" Fin Setback



Scale 3" = 1' 0"

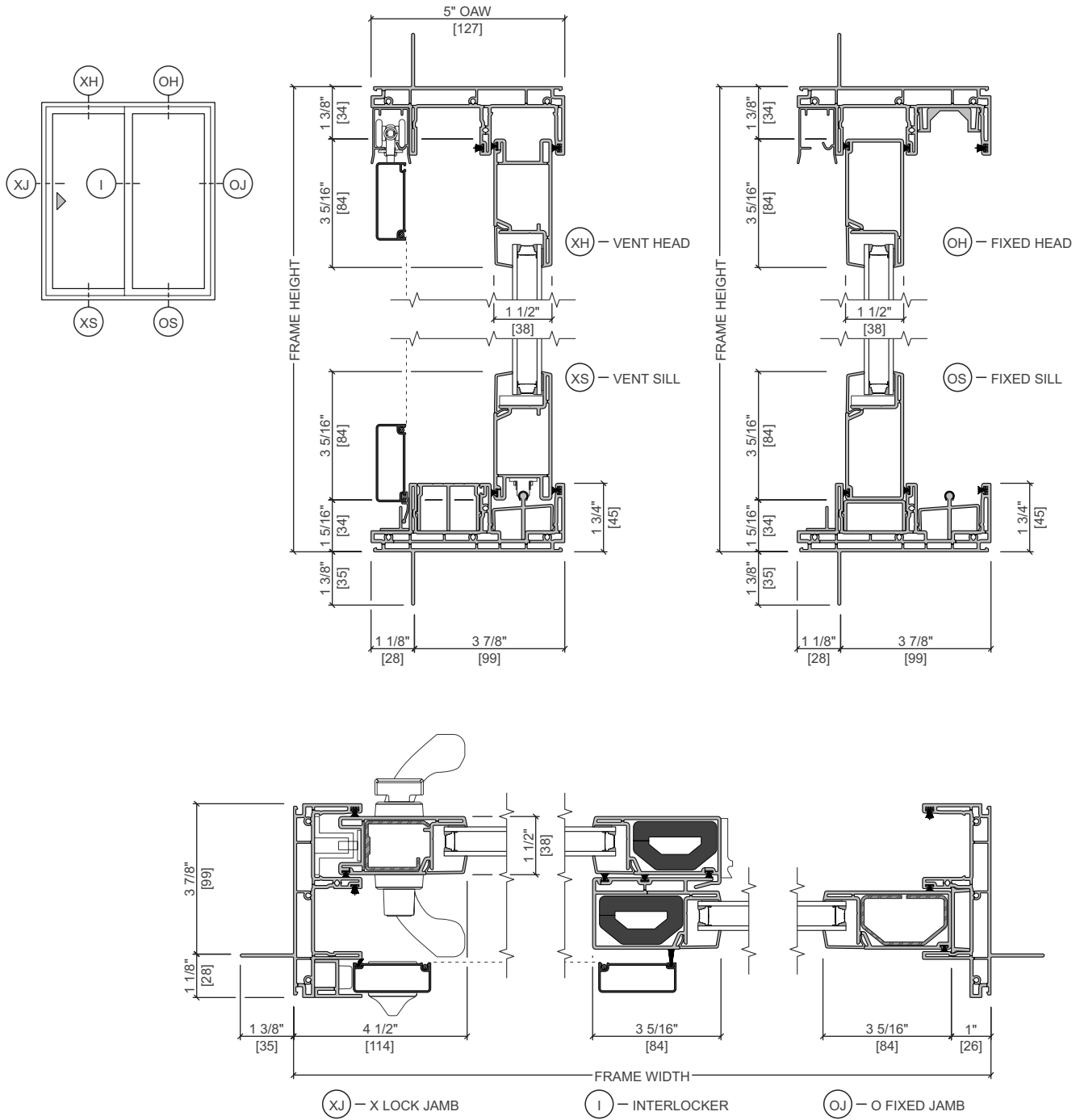
Combinations require reinforcing mullions between units.

All dimensions are approximate.



250 Series Sliding Patio Door

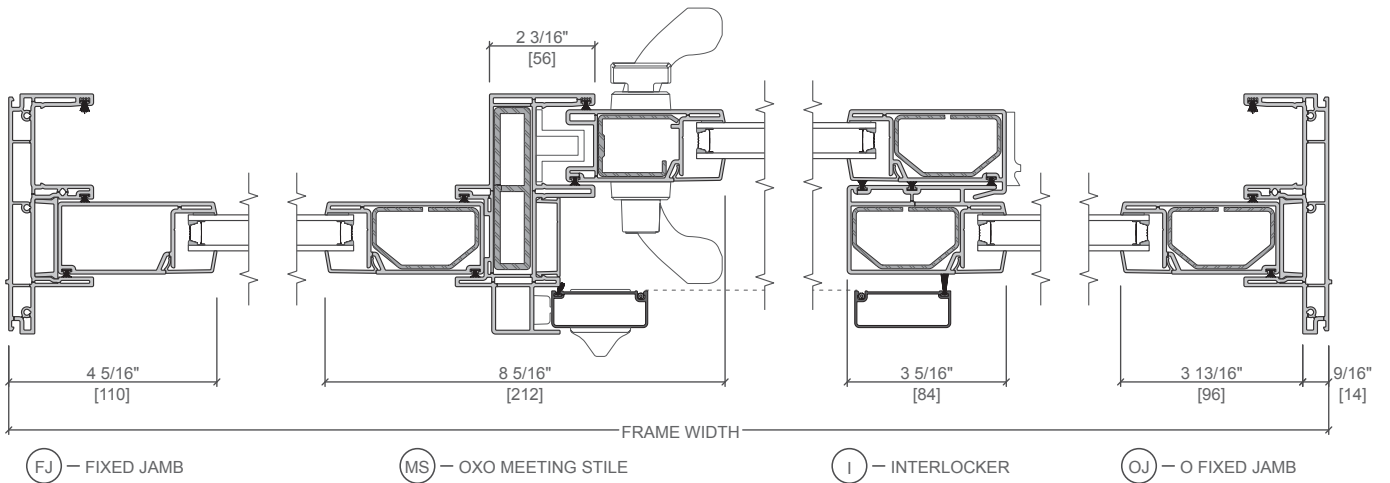
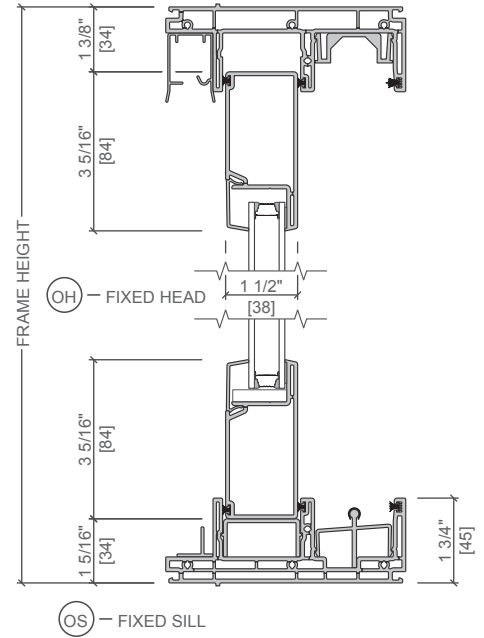
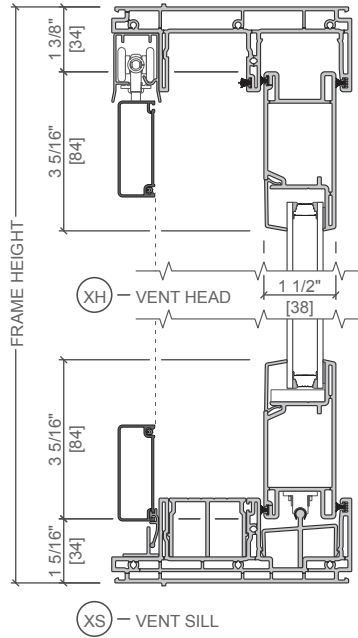
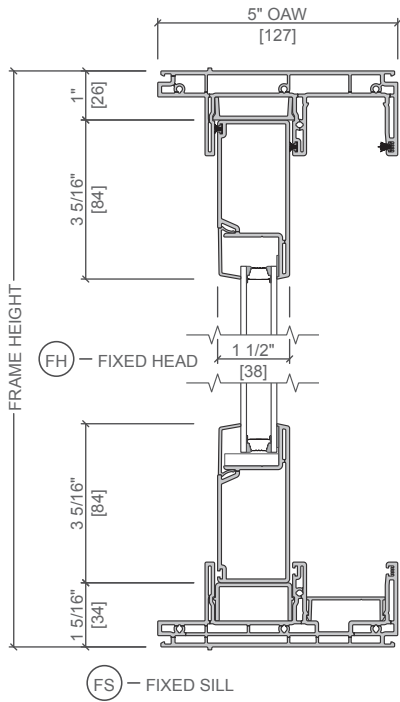
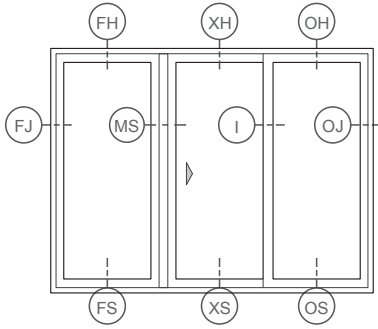
Unit Sections - High Performance





250 Series Sliding Patio Door

Unit Sections - Block Frame



Scale 3" = 1' 0"

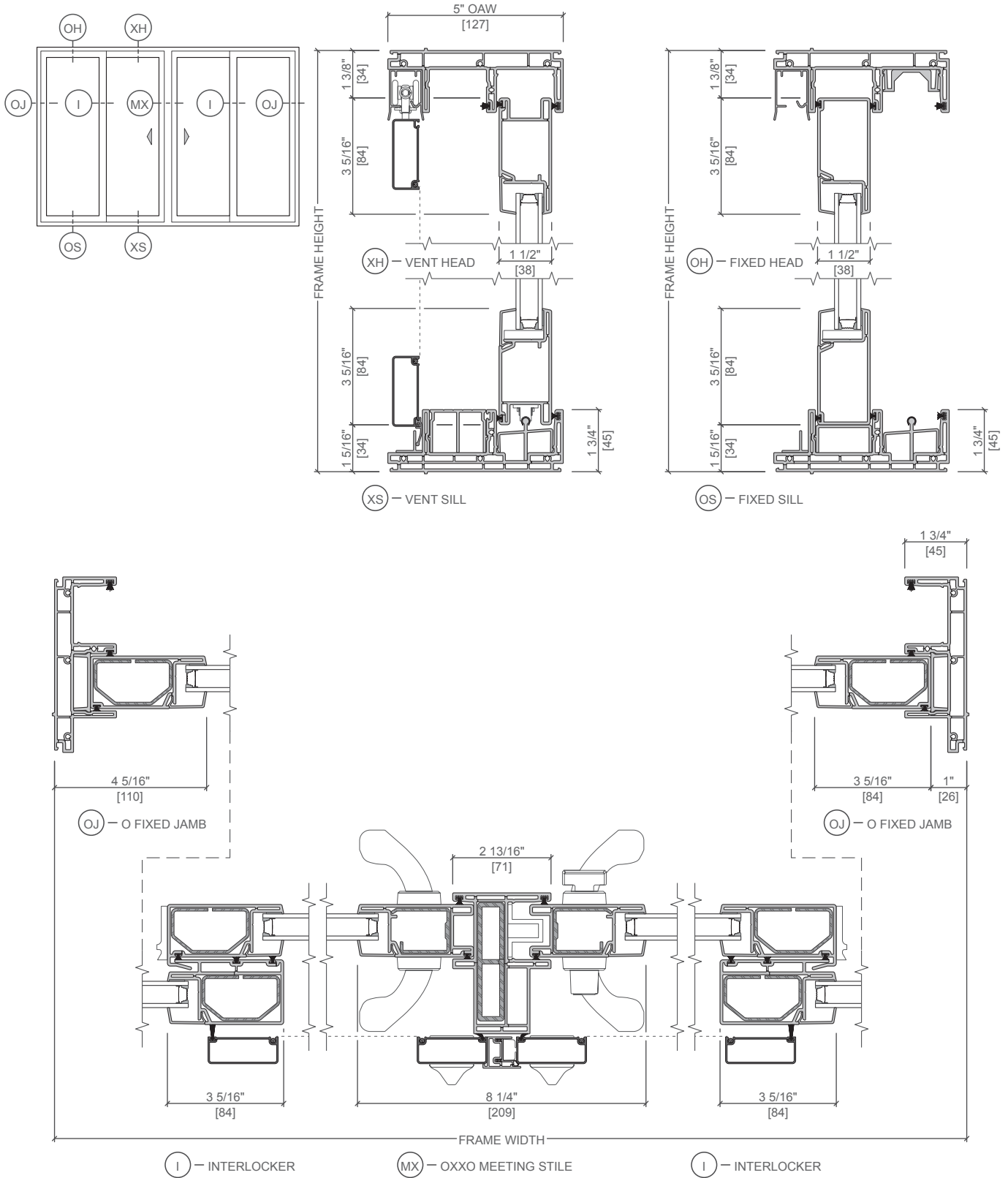
Combinations require reinforcing mullions between units.

All dimensions are approximate.



250 Series Sliding Patio Door

Unit Sections - Block Frame



Scale 3" = 1' 0"

Combinations require reinforcing mullions between units.

All dimensions are approximate.