

U.S. GATO CLASS SUBMARINE



In the first few months immediately following the Japanese attack on Pearl Harbor, it was the U. S. Navy's submarine force that began unlimited warfare against Japan. While the surface forces regrouped, the submarines began attacking Japanese shipping across the Pacific. Throughout the war, American submarines sunk the warships of the Imperial Japanese Navy and cut the lifeline of merchant vessels that provided Japan with oil and other vital raw materials. They also performed other important missions like staging commando raids and rescuing downed pilots. The most successful of the U. S. fleet submarines during World War II were those of the GATO class. Designed to roam the large expanses of the Pacific Ocean, these submarines were powered by two Diesel engines, generating 5,400 horse power for operating on the surface, and batteries provided power while submerged. Gato class submarines could reach speeds of over twenty knots on the

surface and nine knots under water. Their primary armament consisted of twenty-four 21-inch torpedoes which could be fired from six tubes in the bow and four in the stern. Most GATO class submarines typically carried one 3-inch, one 4-inch, or one 5-inch deck gun. To defend against aircraft while on the surface, one or two 40-mm guns were usually fitted, and these were supplemented by 20mm cannon as well as .50 caliber and .30 caliber machine guns. Gato class subs were 311'9" long, displaced 2,415 tons while submerged, and carried a crew of eighty-five men. Your highly detailed Revell 1/72nd scale kit can be used to build one of four different WWII GATO class submarines: USS COBIA, SS-245, USS GROWLER, SS-215, USS SILVERSIDES, SS-236, and the USS FLASHER, SS-249. Decals include hull markings and victory/signal flag sets for each boat.



* REPEAT SEVERAL TIMES

* REPEAT PROCEDURE

* OPTIONAL PARTS

* DECAL

* ASSEMBLY CAUTION

* CEMENT TOGETHER

* REMOVE AND THROW AWAY

* DO NOT CEMENT

* A REPETER PLUSIEURS FOIS

* R P TEZ LE PROC D 

* PI CES EN OPTION

* DECAL COMANIE

* ATTENTION D'ASSEMBL E

* A COLLER

* A RETIRER ET JETER

* NE PAS COLLER

READ THIS BEFORE YOU BEGIN

- * Study the assembly drawings.
- * Each plastic part is identified by a number.
- * In the assembly drawings, some parts will be marked by a star (★) to indicate chrome plated plastic.
- * For better paint and decal adhesion, wash the plastic parts in a mild detergent solution. Rinse and let air dry.
- * Check the fit of each piece before cementing in place.
- * Use only cement for polystyrene plastic.
- * Scrape plating and paint from areas to be cemented.
- * Allow paint to dry thoroughly before handling parts.
- * Any unused parts may be discarded.

DECAL APPLICATION INSTRUCTIONS

1. Cut desired decal from sheet.
2. Dip decal in water for a few seconds.
3. Place wet decal on paper towel.
4. Wait until decal is movable on paper backing.
5. Place decal in position on model, face up and slide backing away.
6. Press out air bubbles with a soft damp cloth.
7. Milkyness that may appear is for better decal adhesion and will dry clear. Wipe away any excess adhesive.
8. Do not touch decal until fully dry.
9. Allow the decals 48 hours to dry before applying clear coat.

NOTE: Decals are compatible with setting solutions or solvents.

LIRE CE QUI SUIT AVANT DE COMMENCER

- * Etudier les sch mas de montage.
- * Chaque pi ce en plastique est identifi e par un num ro.
- * Sur les sch mas de montage, certaines pi ces sont marqu es d'une  toile (★) pour indiquer qu'elles sont en plastique chrom .
- * Pour une meilleure prise de la peinture et des autocollants, laver les pi ces en plastique avec une solution d tergente peu concentr e. Les rincer et les laisser s cher   l'air.
- * V rifier que chaque pi ce s'ajuste bien avant de la coller en place.
- * N'utiliser que de la colle pour polystyr ne.
- * Gratter les parties   coller pour enlever le chrome et la peinture.
- * Laisser la peinture bien s cher avant de manipuler les pi ces.
- * Toute pi ce inutilis e peut  tre jet e.

DIRECTIVES D'APPLICATION DES AUTOCOLLANTS

1. D couper l'autocollant d sir  de la feuille.
2. Tremper l'autocollant dans de l'eau pendant quelques secondes.
3. Placer l'autocollant mouill  sur une serviette en papier.
4. Attendez que l'autocollant puisse  tre d plac  sur son support en papier.
5. Mettre l'autocollant en position sur le mod le face sur le dessus et faire glisser le support pour l'enlever.
6. Appuyer avec un chiffon doux humide pour  liminer les bulles d'air.
7. La substance laiteuse qui peut appara tre est destin e   am liorer l'adh sion de l'autocollant et devient incolore au s chage. Essuyer pour enlever tout exc dent d'adh sif.
8. Ne pas toucher l'autocollant tant qu'il n'est pas bien sec.
9. Laisser l'autocollant s cher pendant 48 heures avant d'appliquer une couche transparente.

REMARQUE: Les autocollants sont compatibles avec les solutions de fixation ou les solvants.

This optional paint guide is provided if you choose to detail paint your model.

Ce guide de peinture vous sera fourni si vous choisissez de peindre votre mod le en d tail.

Light Gray	<i>Gris clair</i>
Light Ghost Gray	<i>Gris Fant�me clair</i>
Semigloss Black	<i>Noir satin�</i>
Silver	<i>Argent</i>
Flate White	<i>Blanc mat</i>
Brass	<i>Laiton</i>

If you have any questions or comments, call our hotline at: **(800) 833-3570**
or, please write to:

Revell Inc Consumer Service Department, 1850 Howard Street Unit A, Elk Grove Village, Illinois 60007

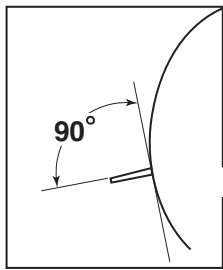
Be sure to include the plan number (85038410200), part number, description, your return address and phone number.

Visit our website: www.revell.com

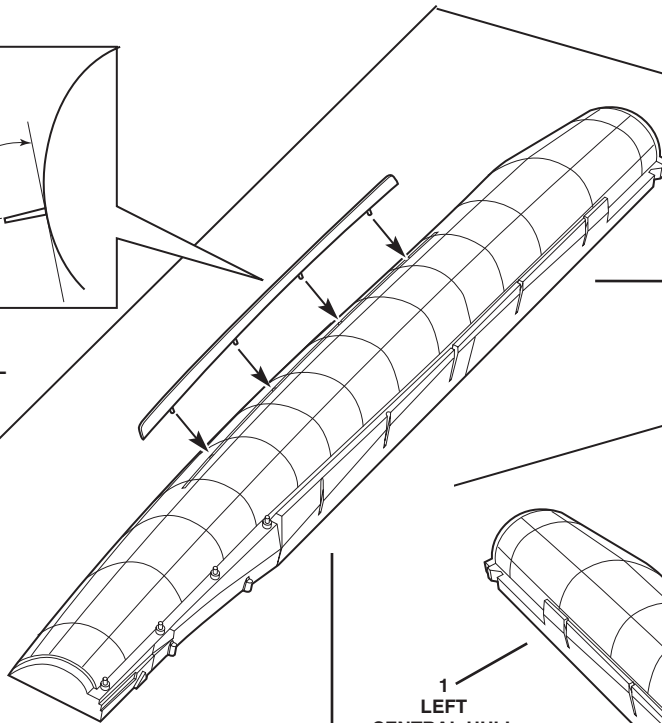
1

KEELS / HULL ASSEMBLY

A



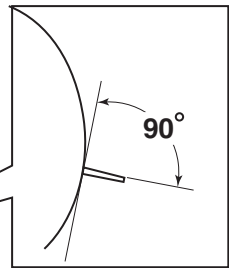
20
BILGE KEEL
SEE PAINT
GUIDE



FORWARD

B

20
BILGE KEEL
SEE PAINT
GUIDE

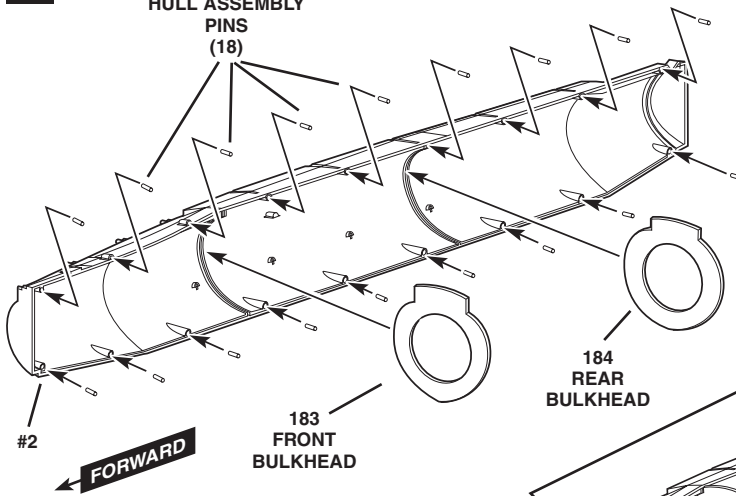


1
LEFT
CENTRAL HULL
SEE PAINT
GUIDE

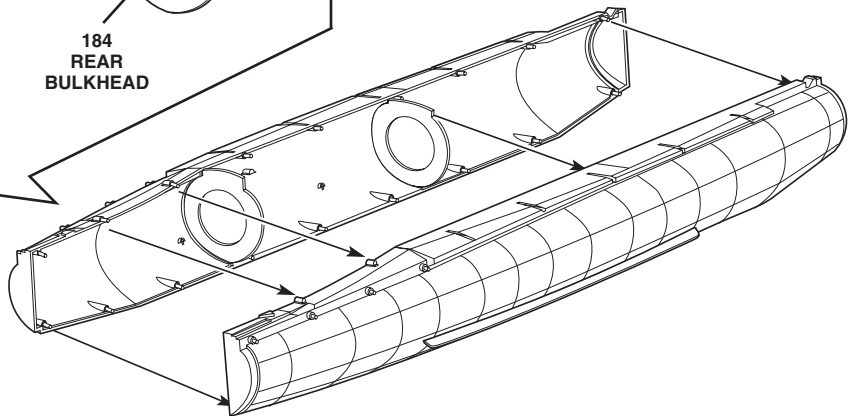
FORWARD

C

32
HULL ASSEMBLY
PINS
(18)

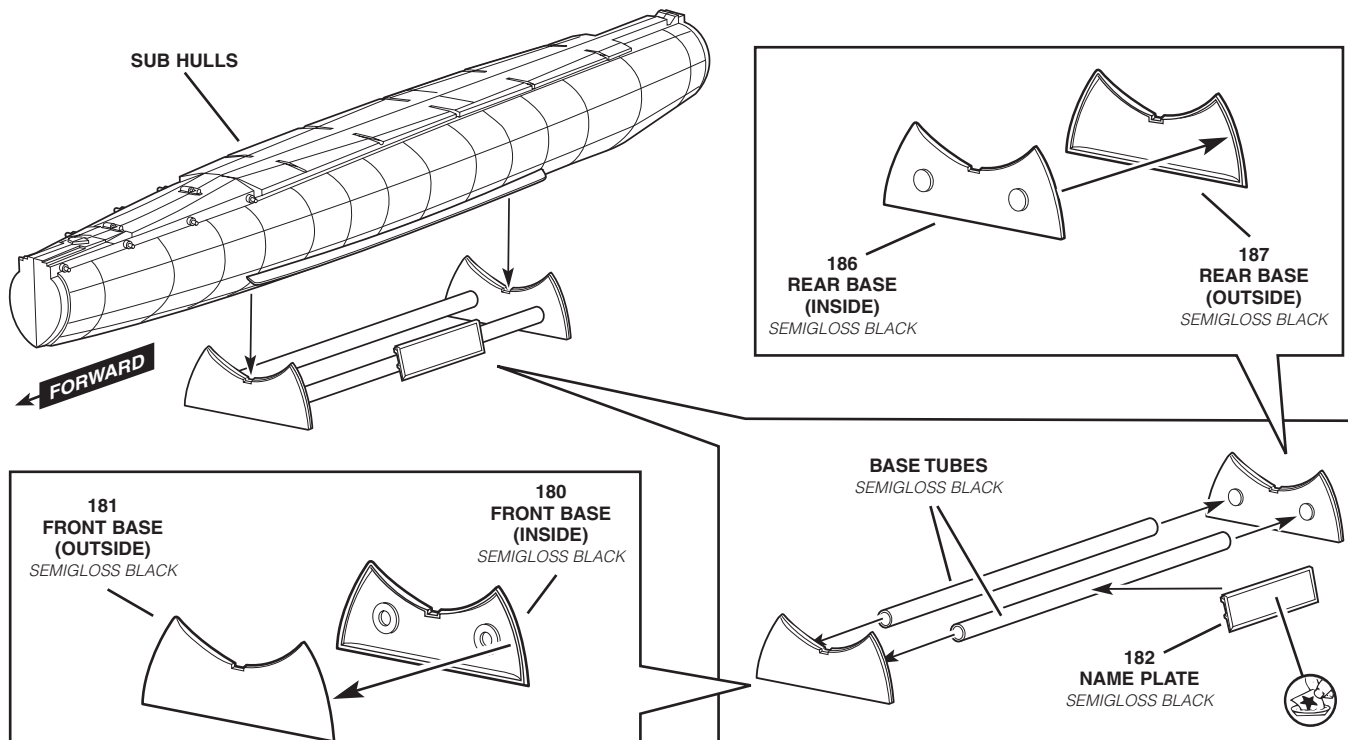


D



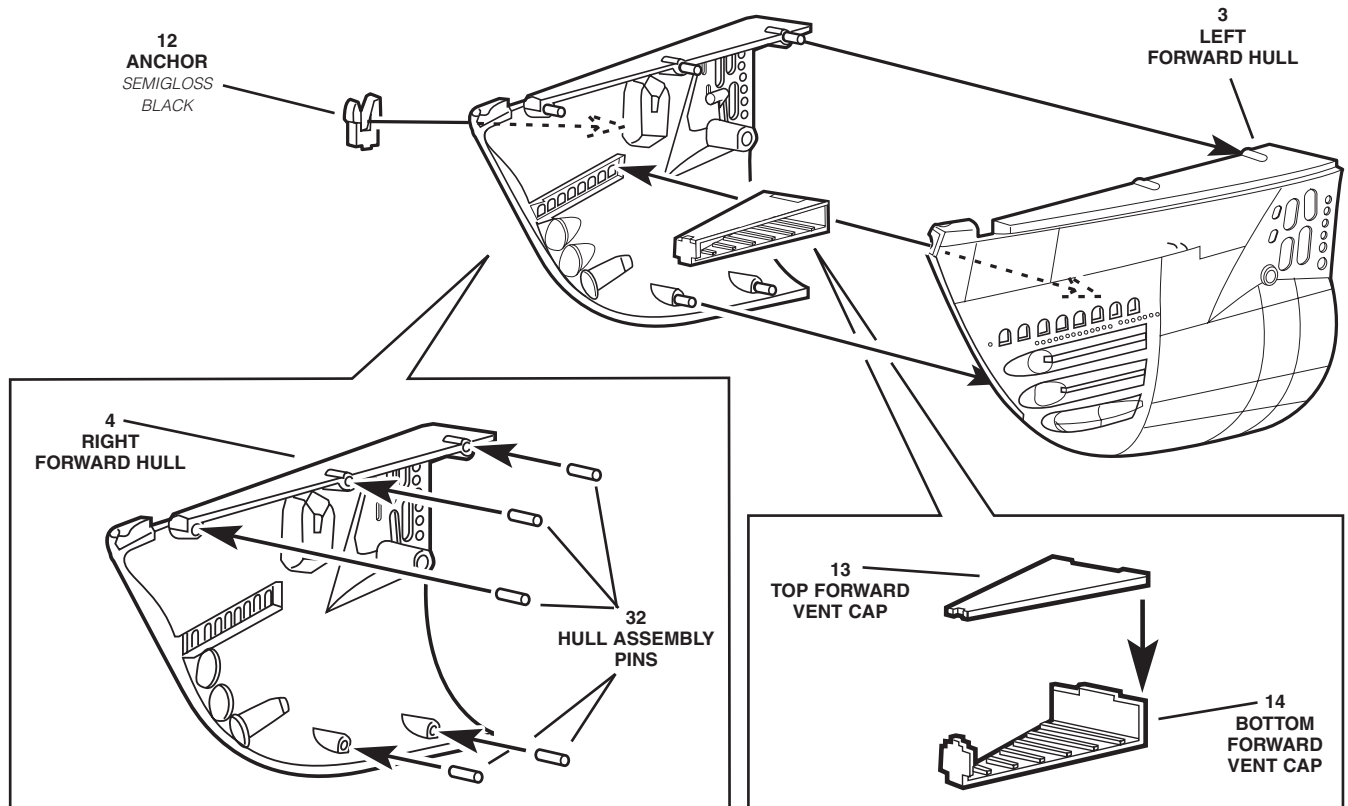
2

STAND ASSEMBLY



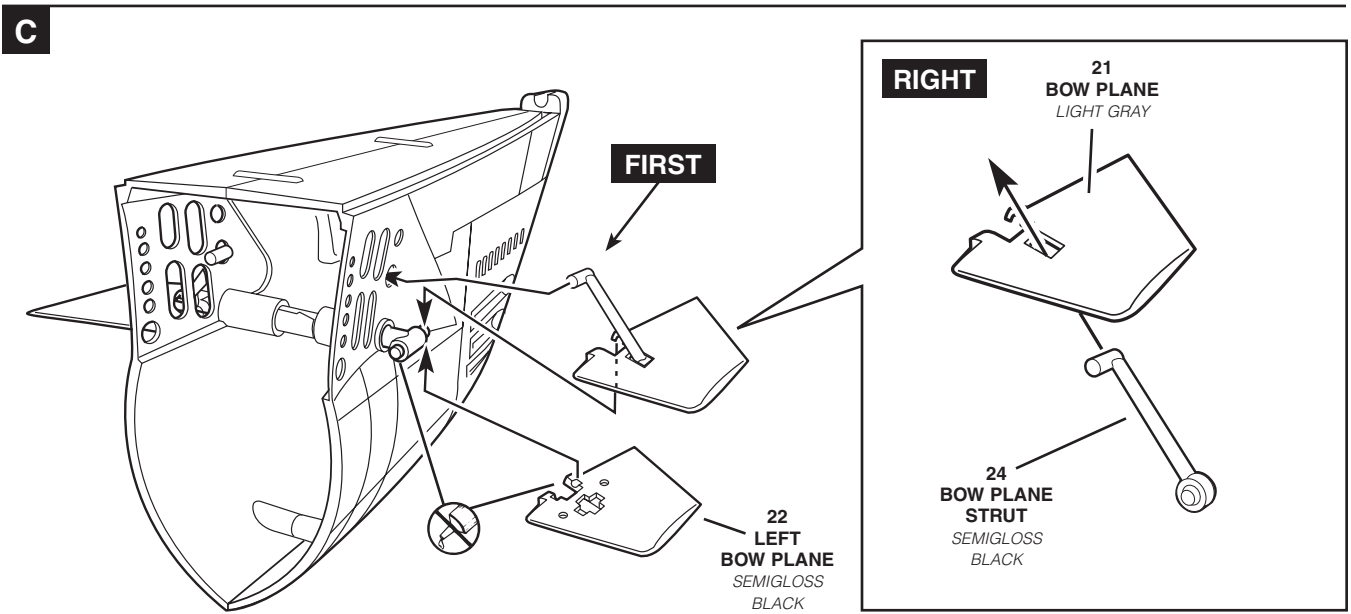
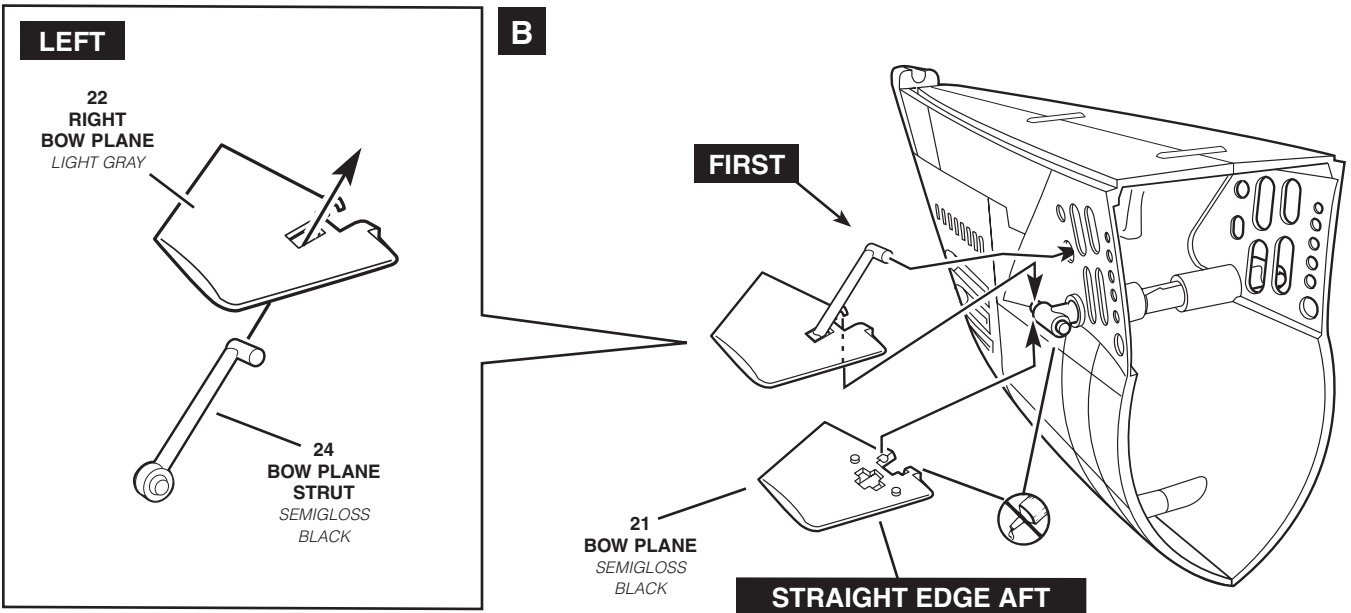
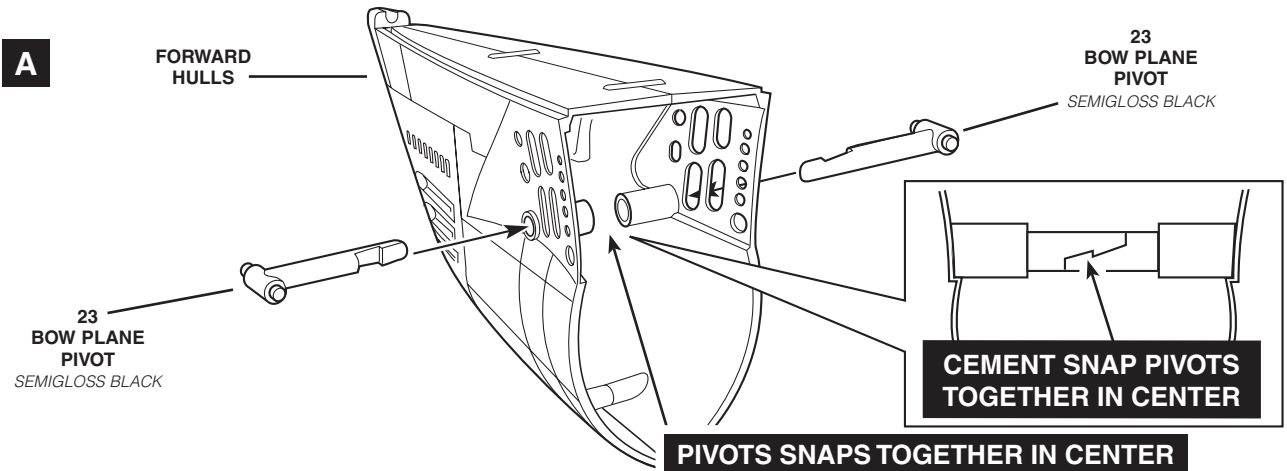
3

BOW ASSEMBLY



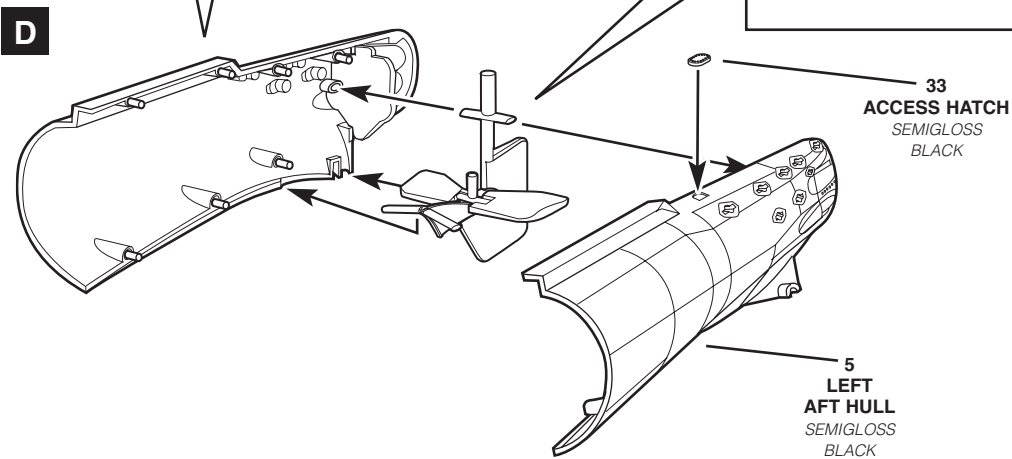
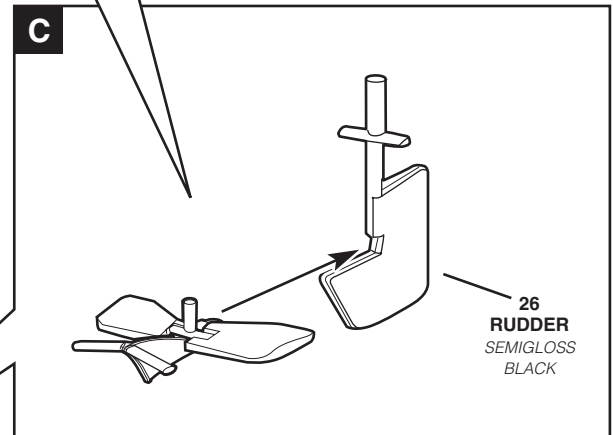
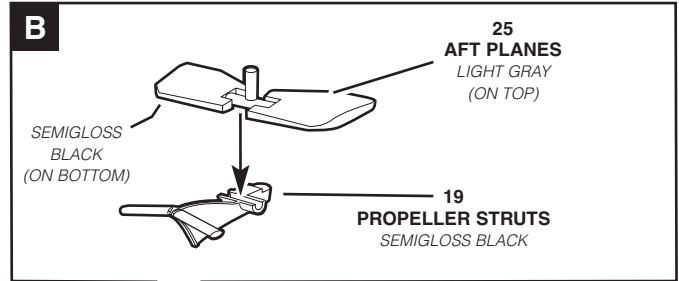
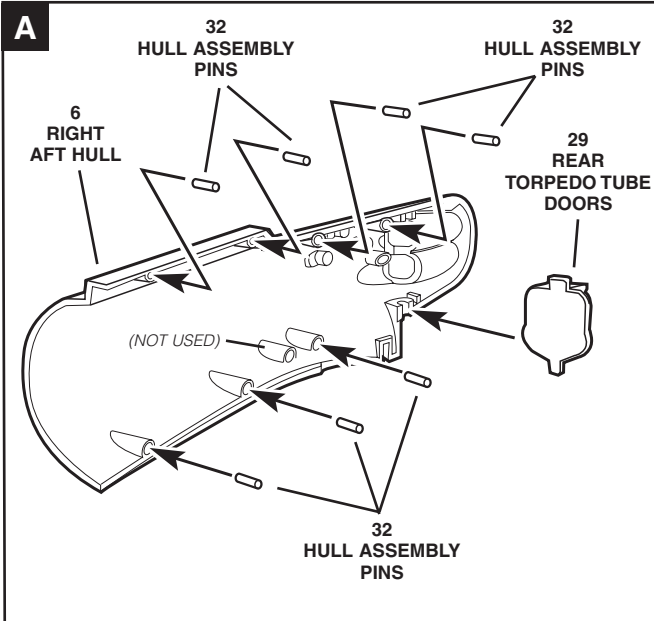
4

BOW PLANES ASSEMBLY



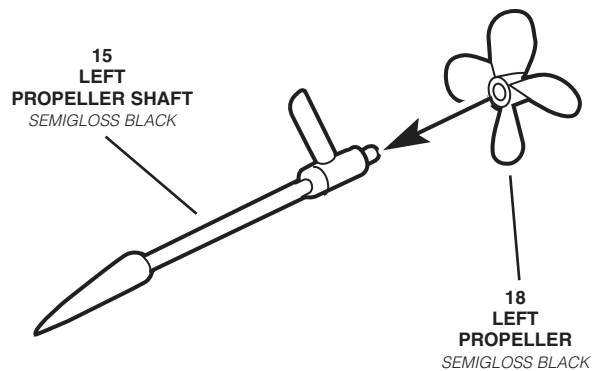
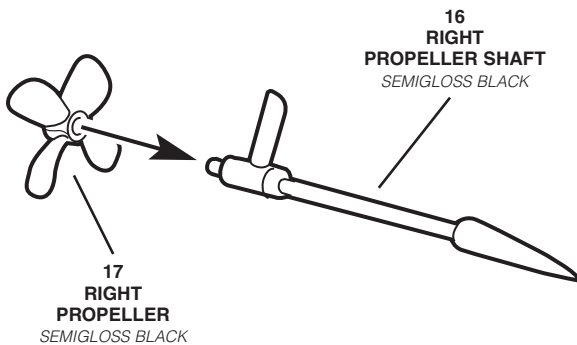
5

REAR AFT ASSEMBLY



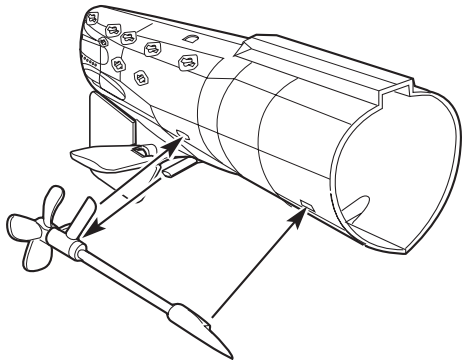
6

PROPELLER / SHAFT ASSEMBLY



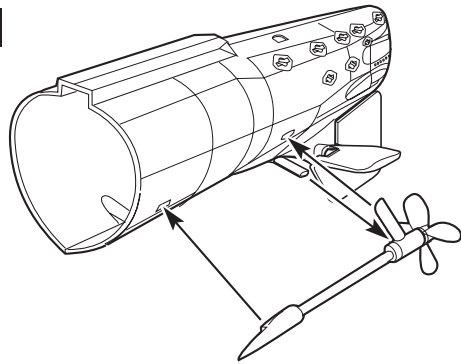
6

PROPELLER ASSEMBLY CONTINUED



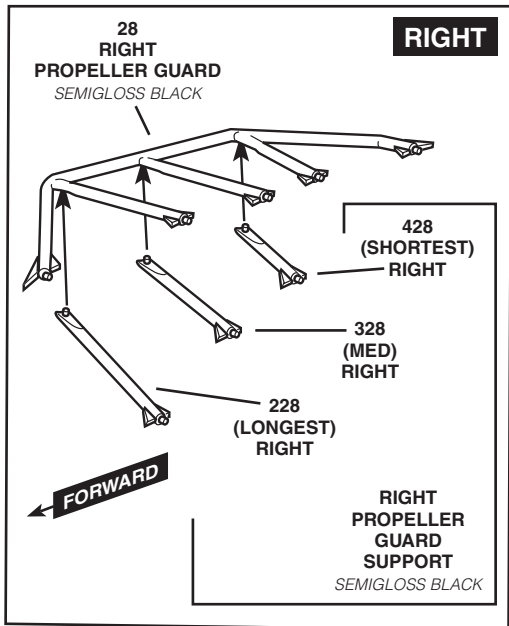
RIGHT

LEFT

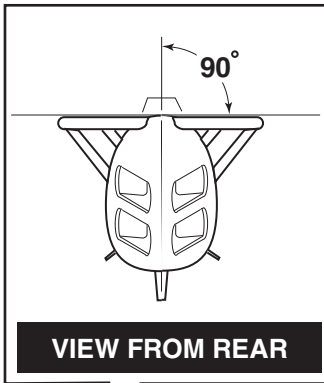


7

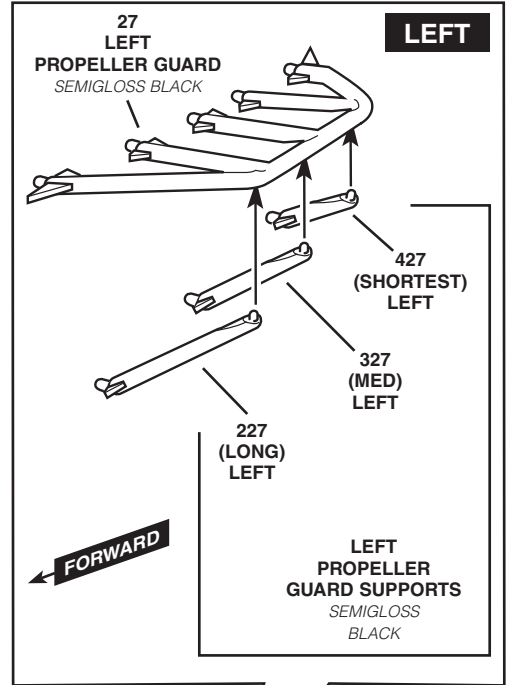
PROPELLER GUARD ASSEMBLY



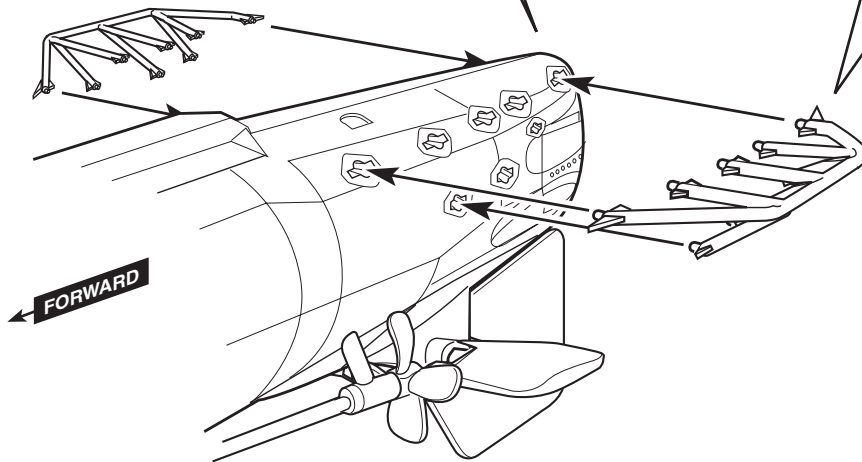
RIGHT



VIEW FROM REAR

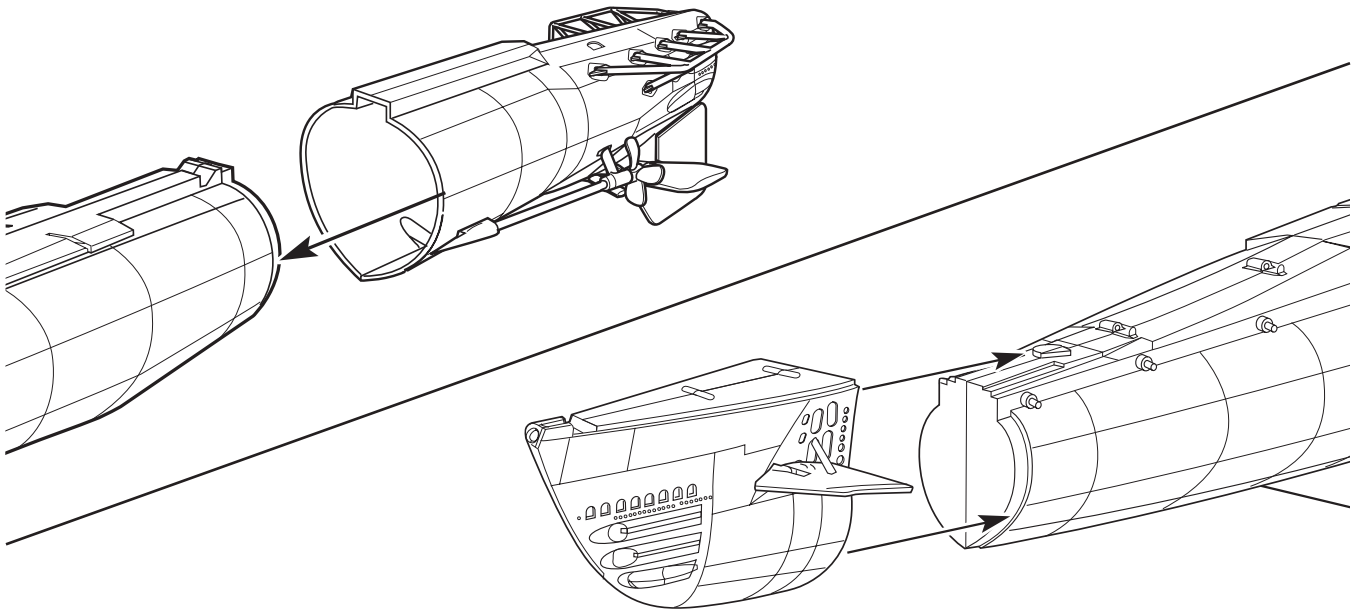


LEFT



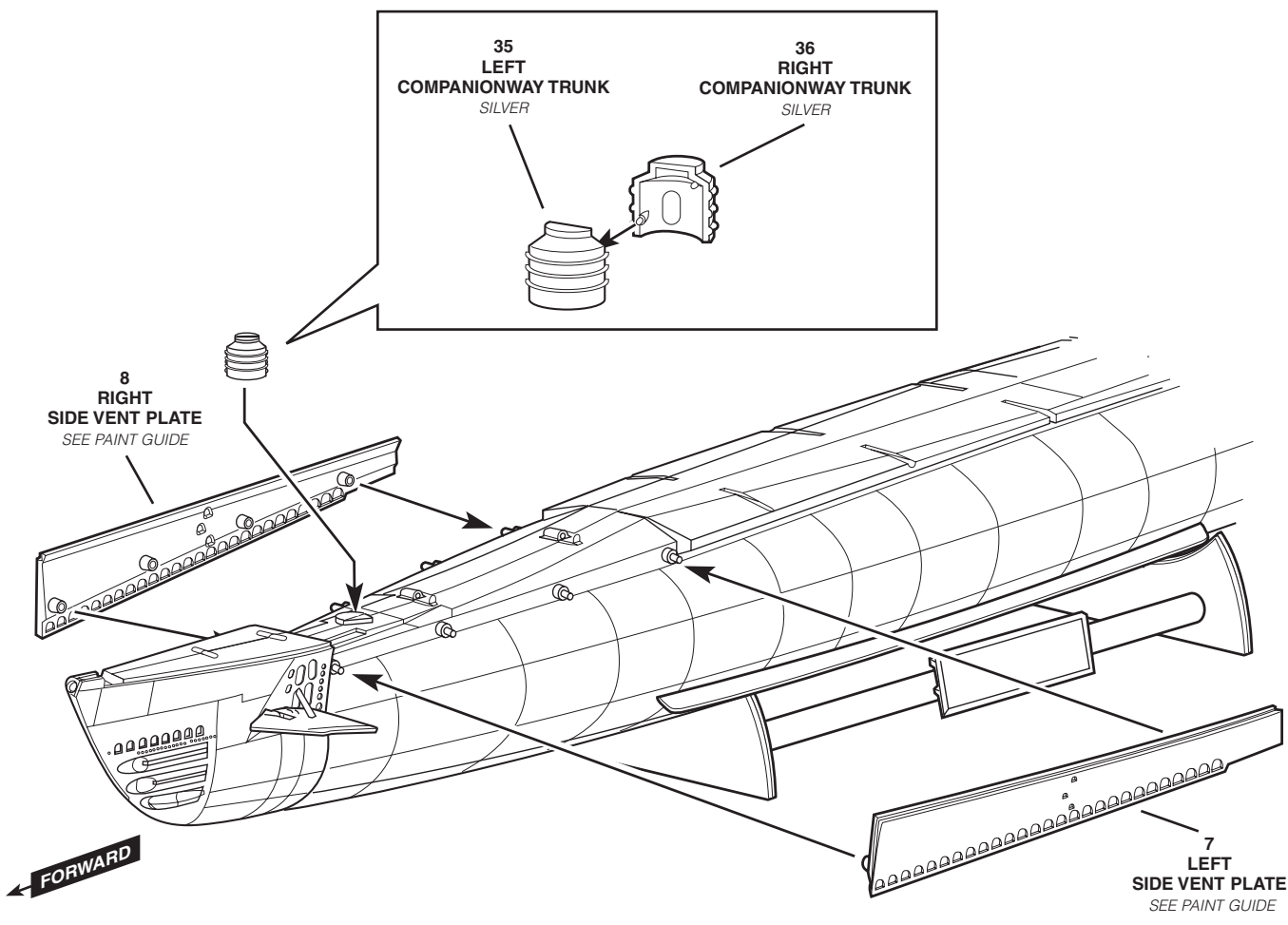
8

REAR / FRONT ASSEMBLY



9

VENT PLATE ASSEMBLY

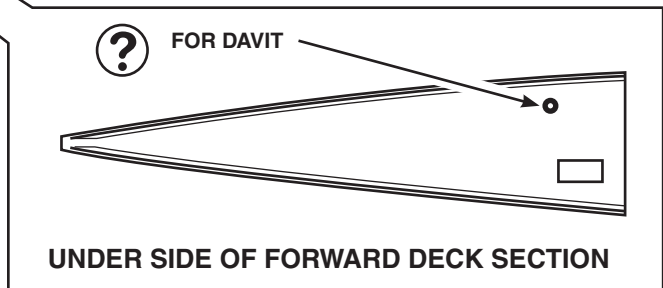
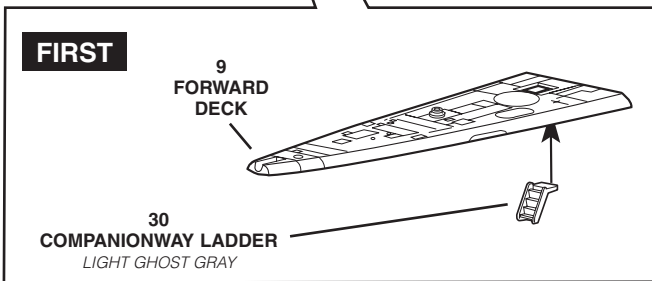
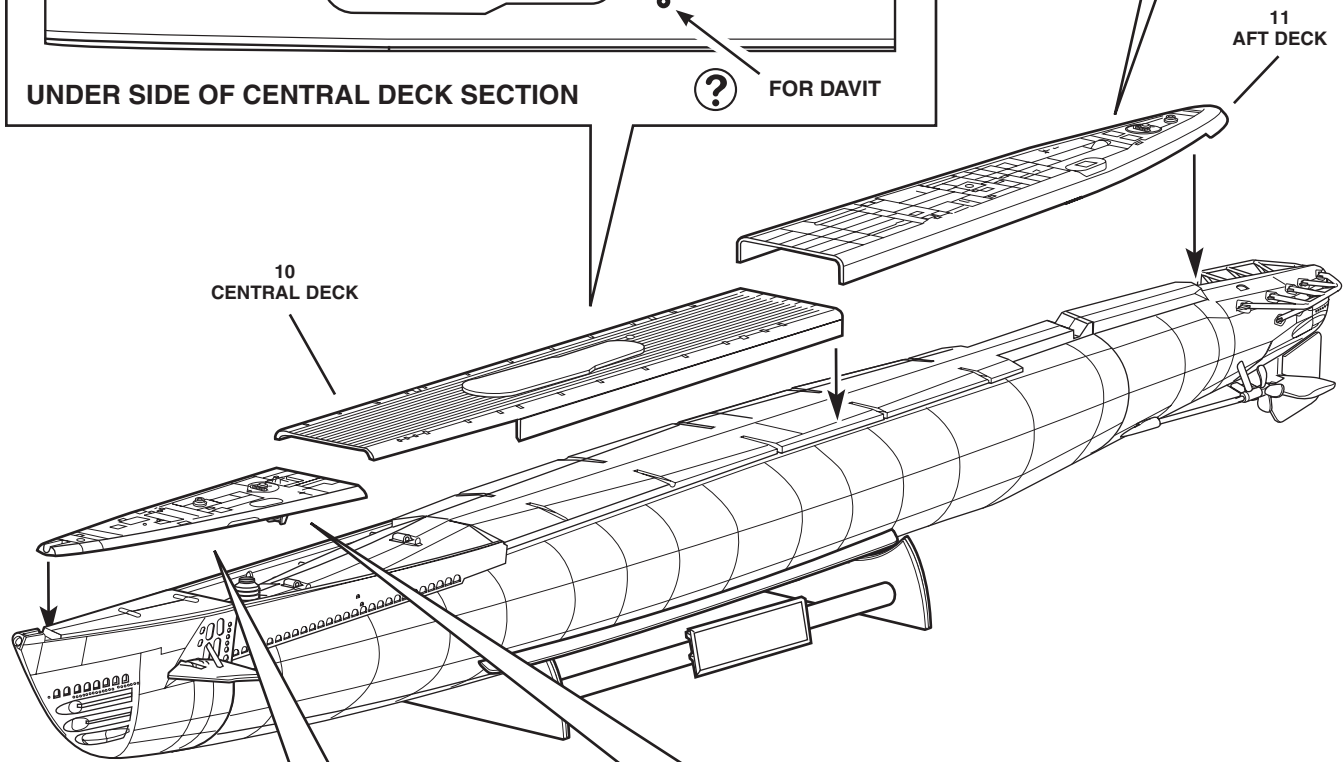
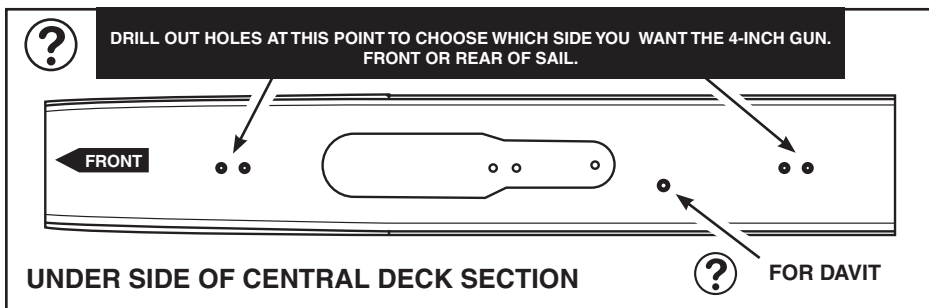
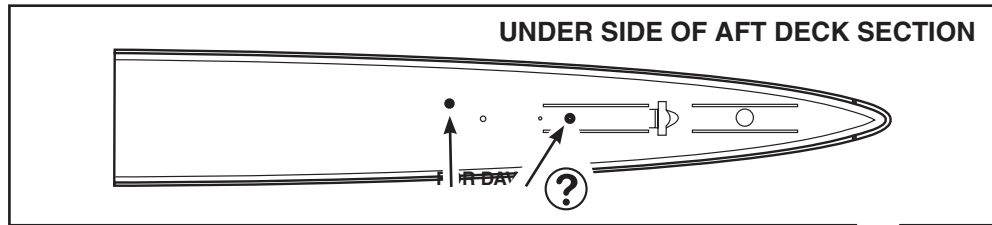


10

DECK ASSEMBLY

NOTE:

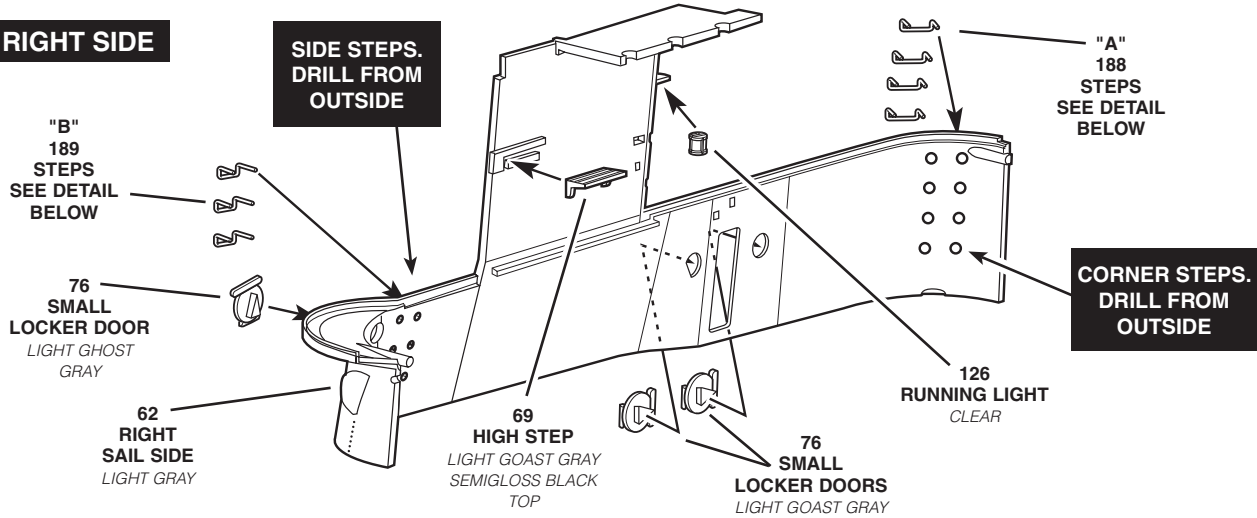
IF YOU USE THE (2) #41 DAVITS AT THIS POINT, CHOOSE WHICH HOLES YOU WANT TO DRILL OUT. DRILL FROM THE UNDERSIDE OF THE DECK SECTION. THE DAVITS ARE EITHER LOCATED AT THE FORWARD AND CENTRAL DECK OR AFT DECK. ONLY (2) #41 DAVITS ARE IN THE KIT



11

SAIL HALVES ASSEMBLY

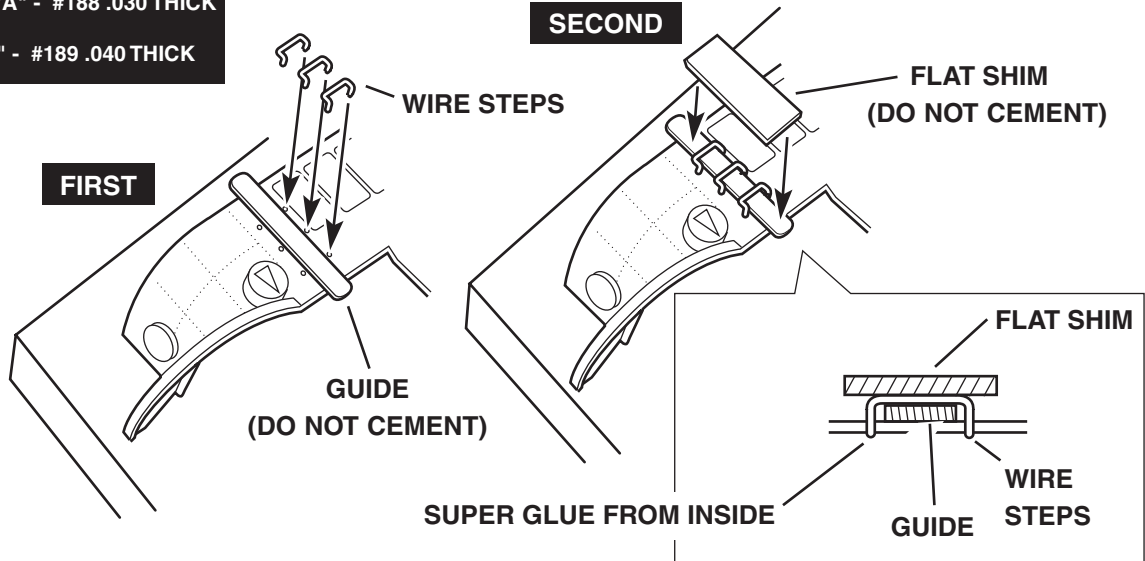
RIGHT SIDE



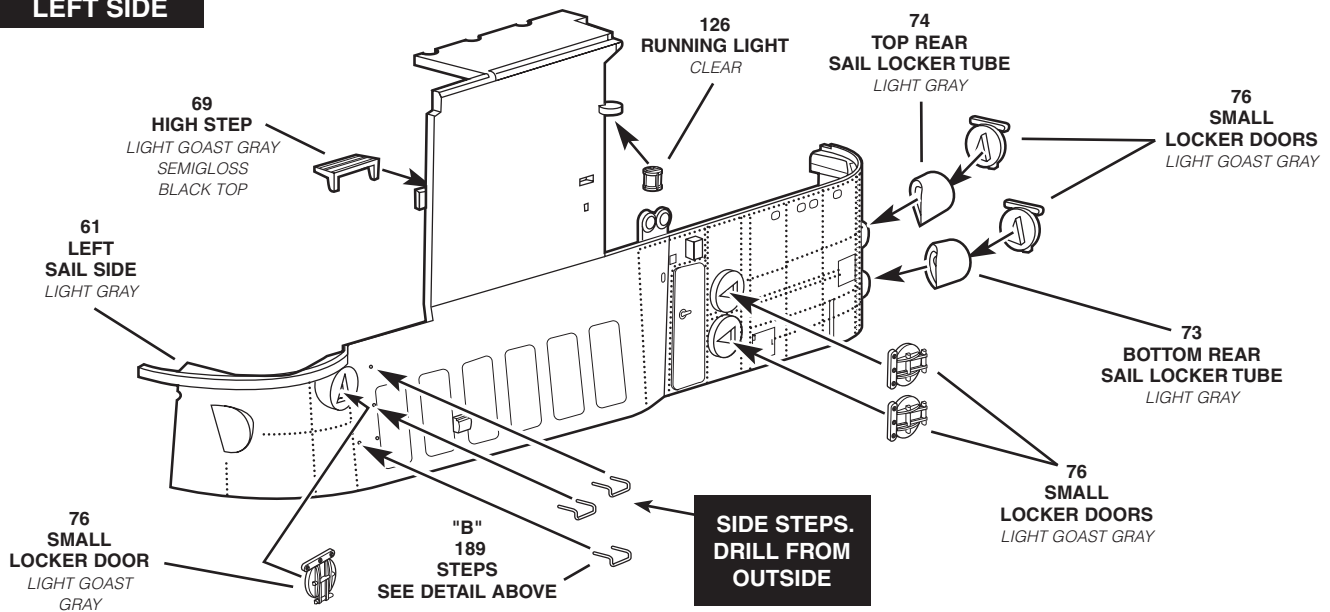
CORNER STEPS "A" - #188 .030 THICK

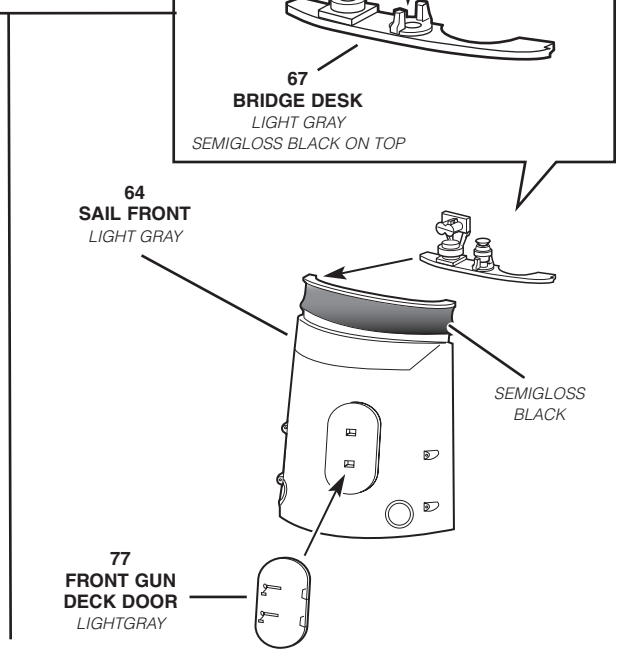
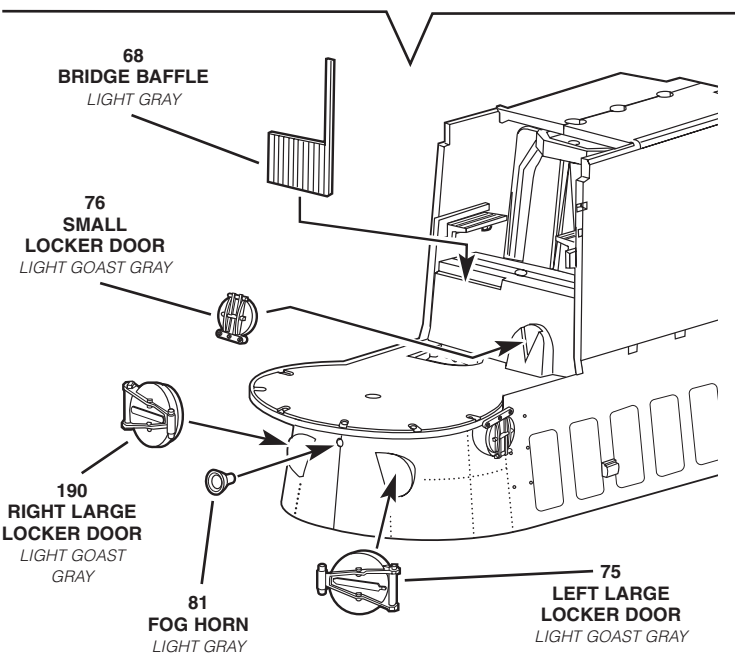
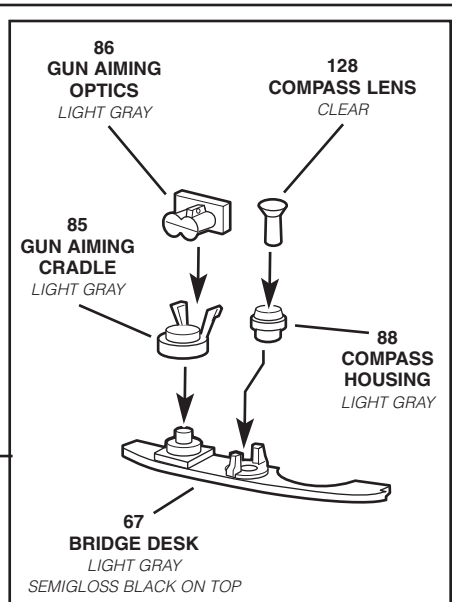
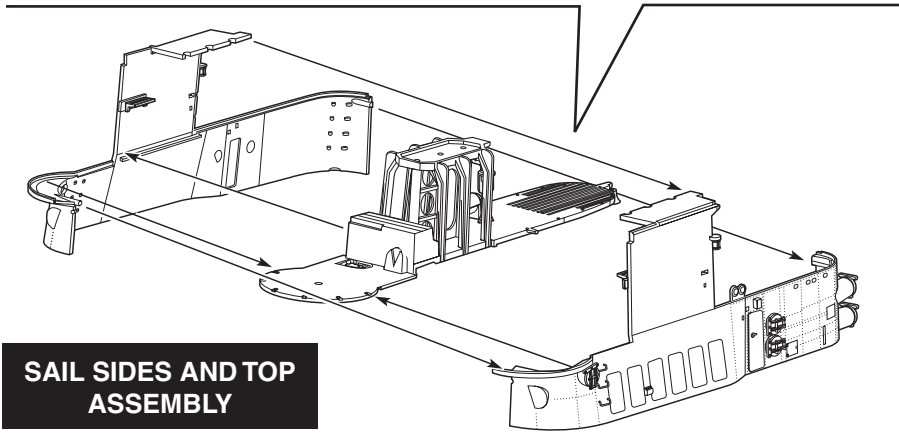
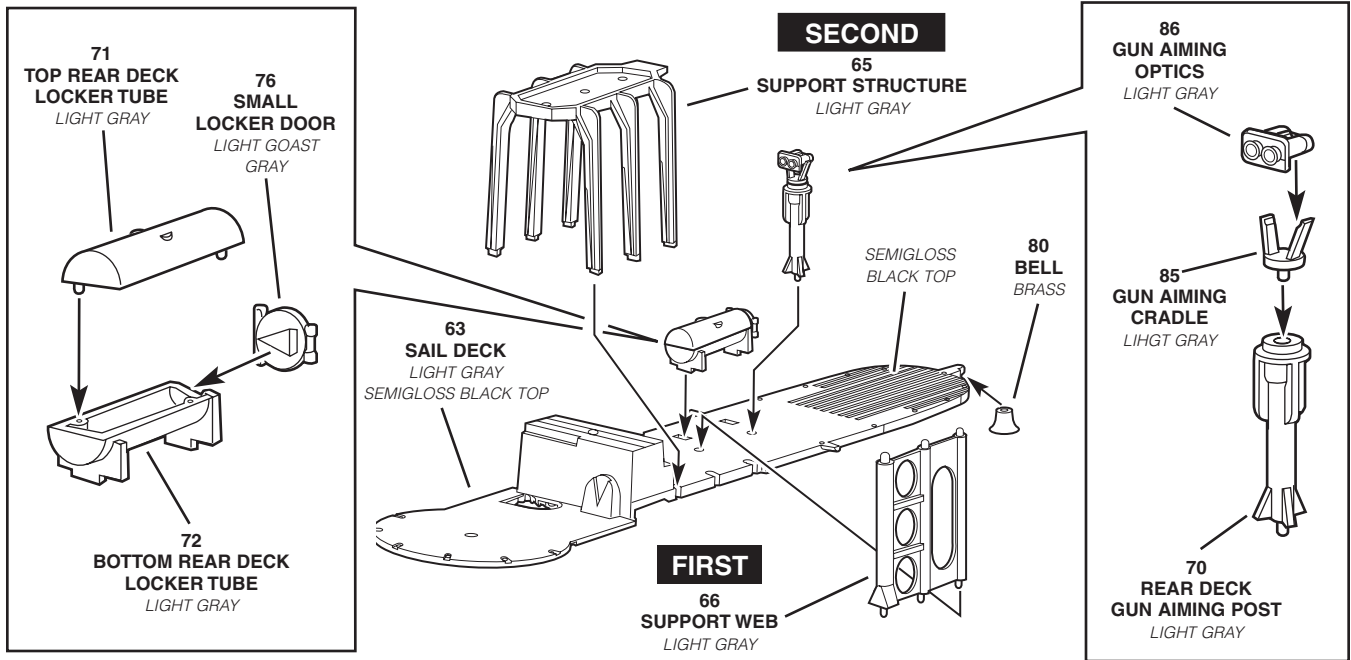
SIDE STEPS "B" - #189 .040 THICK

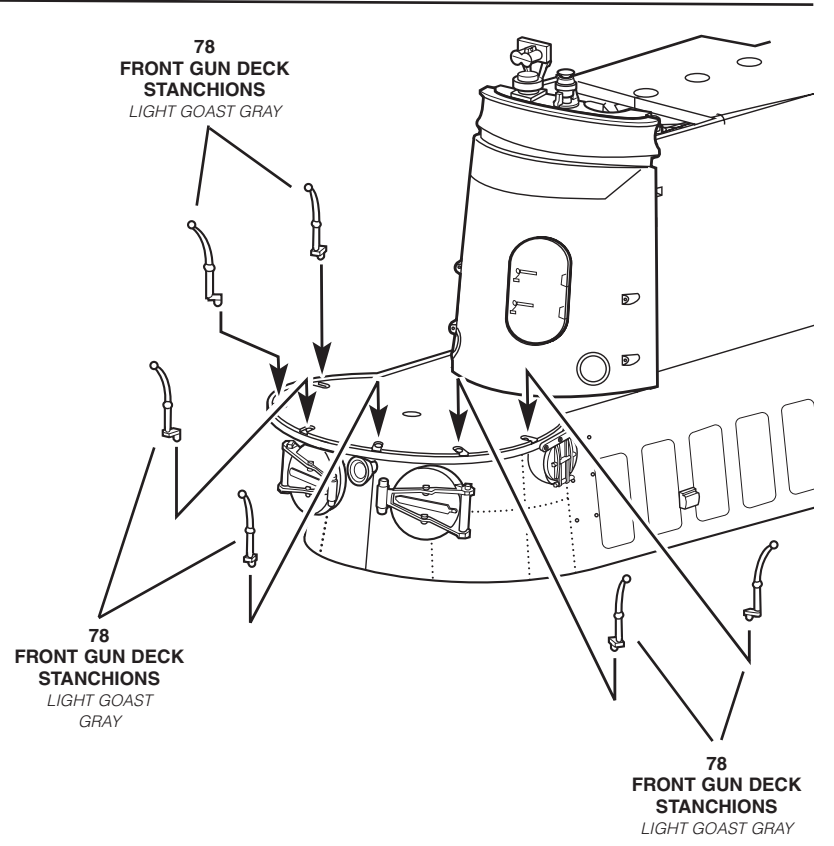
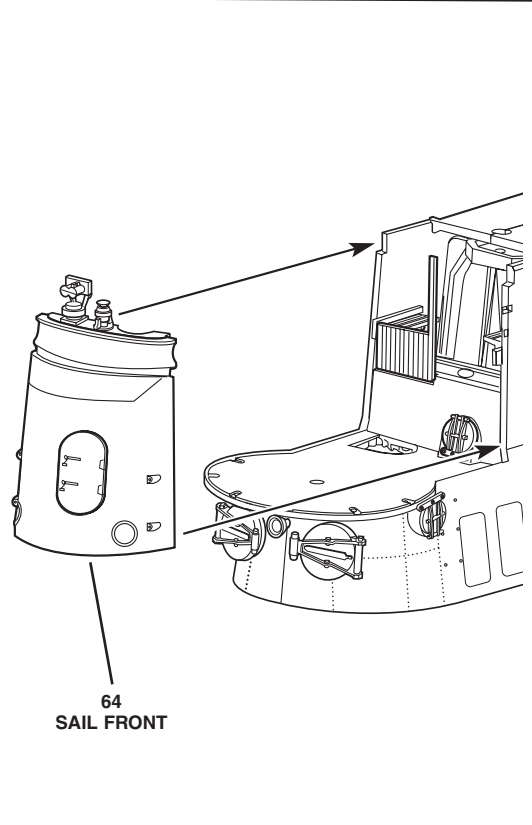
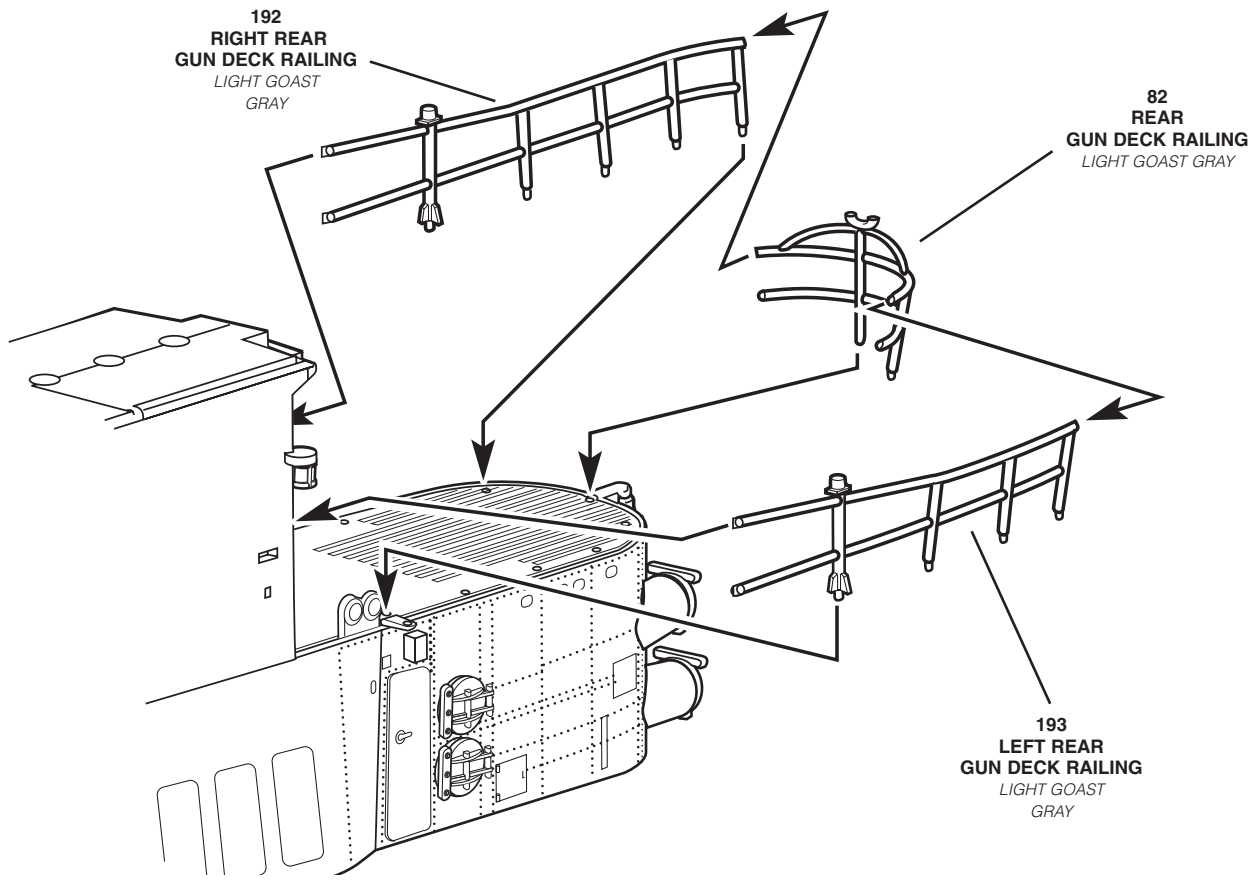
SECOND



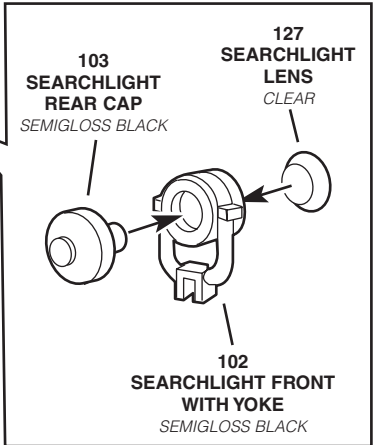
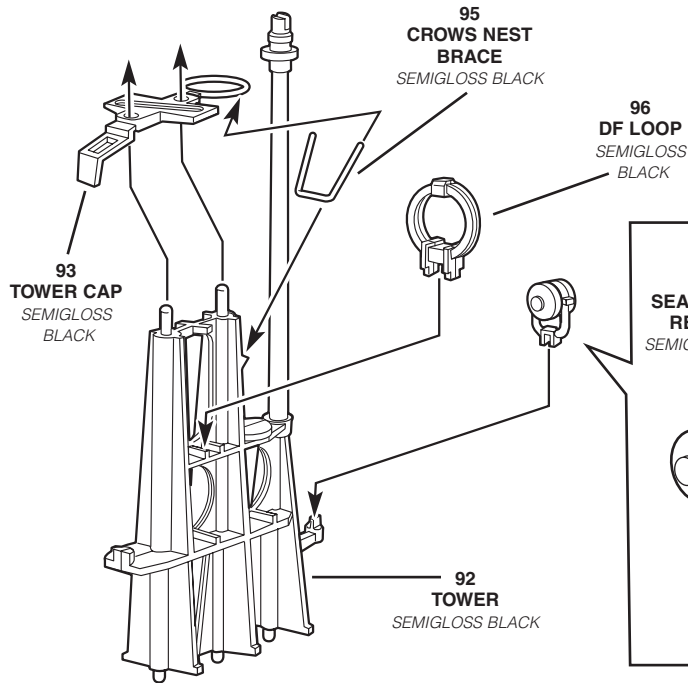
LEFT SIDE



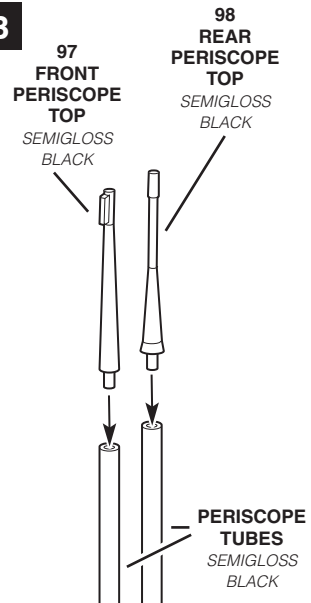




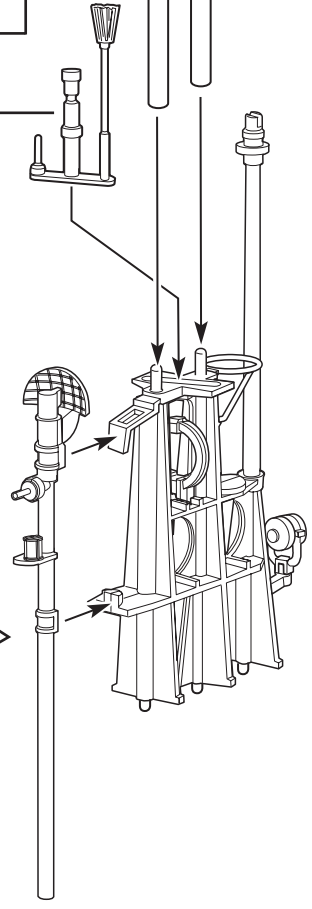
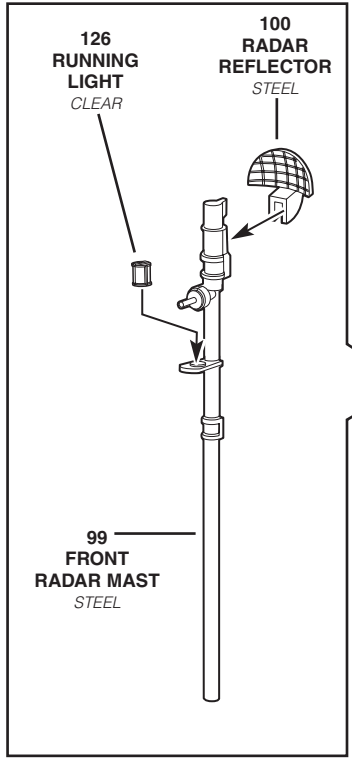
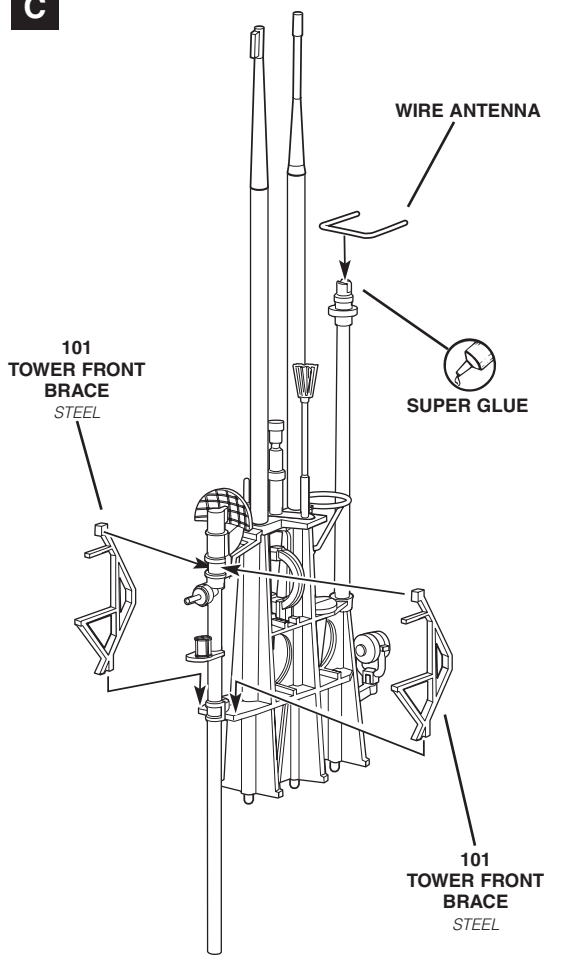
A

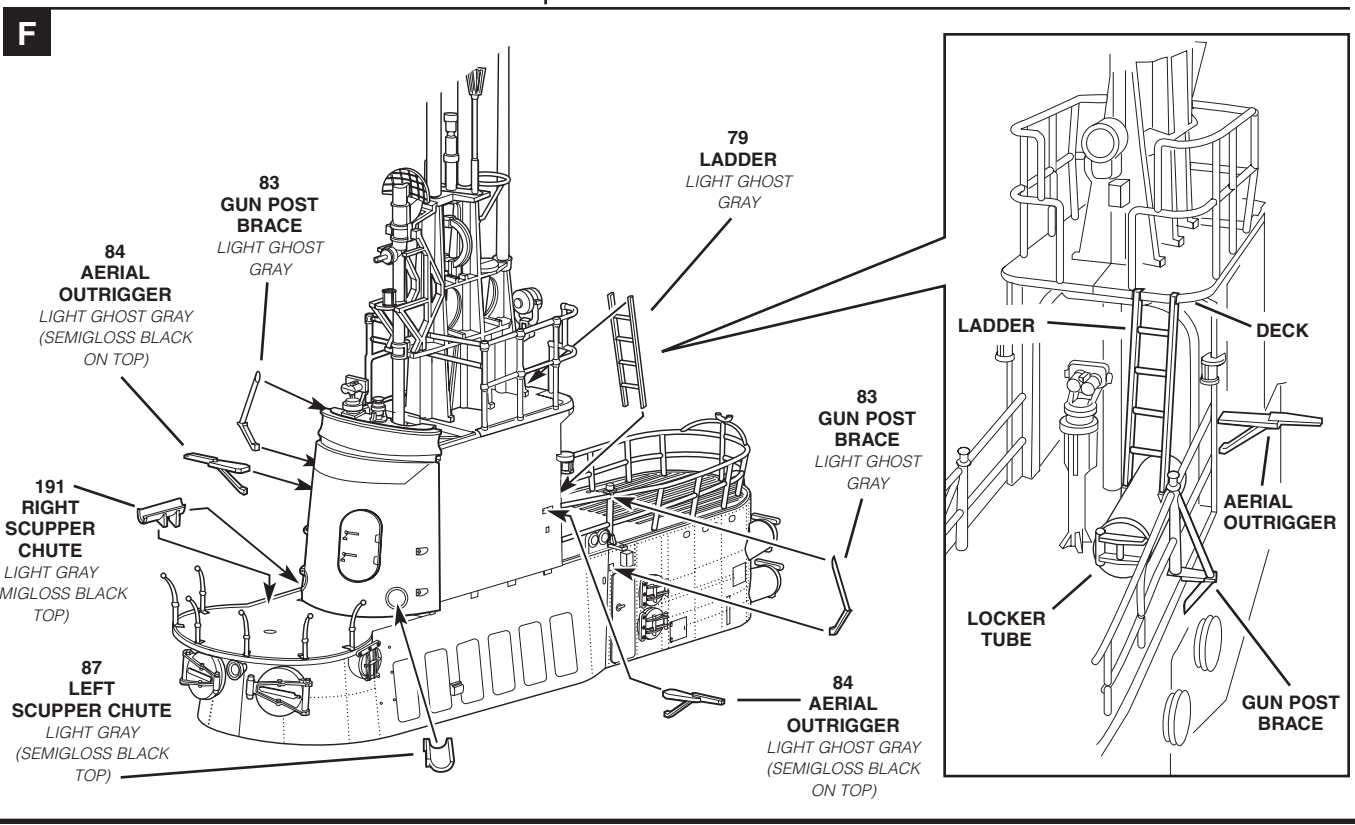
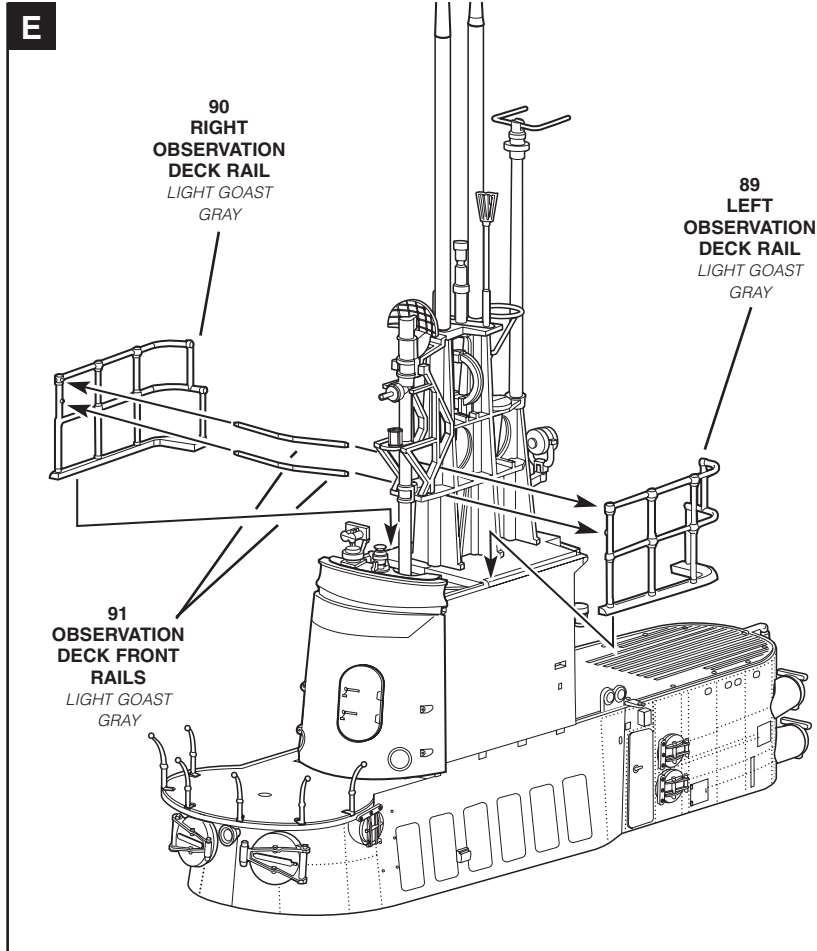
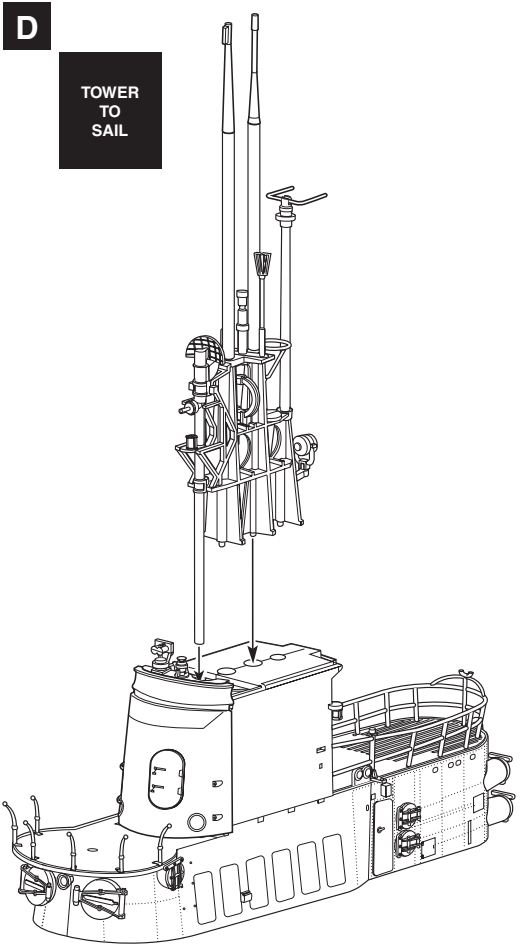


B



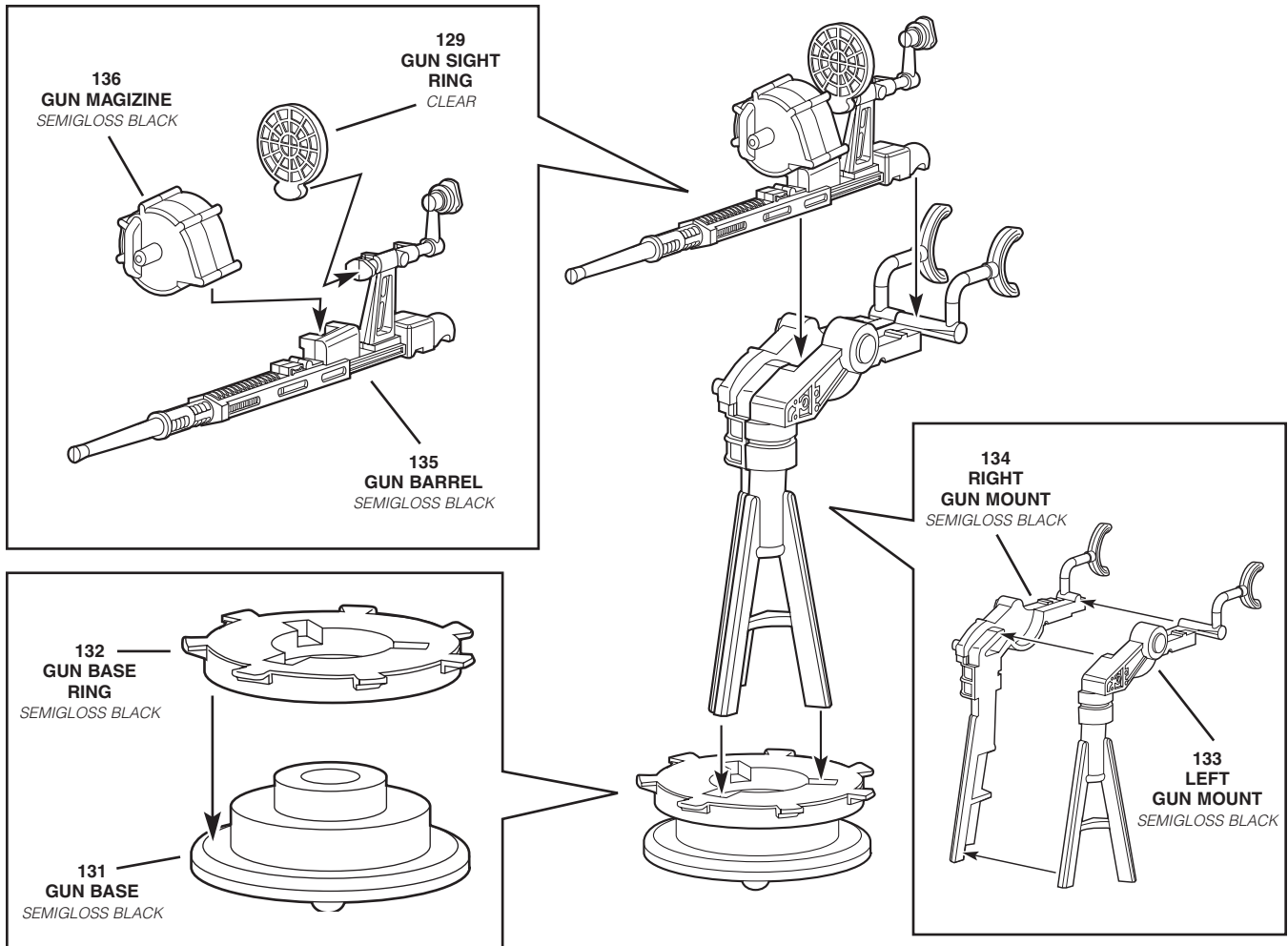
C





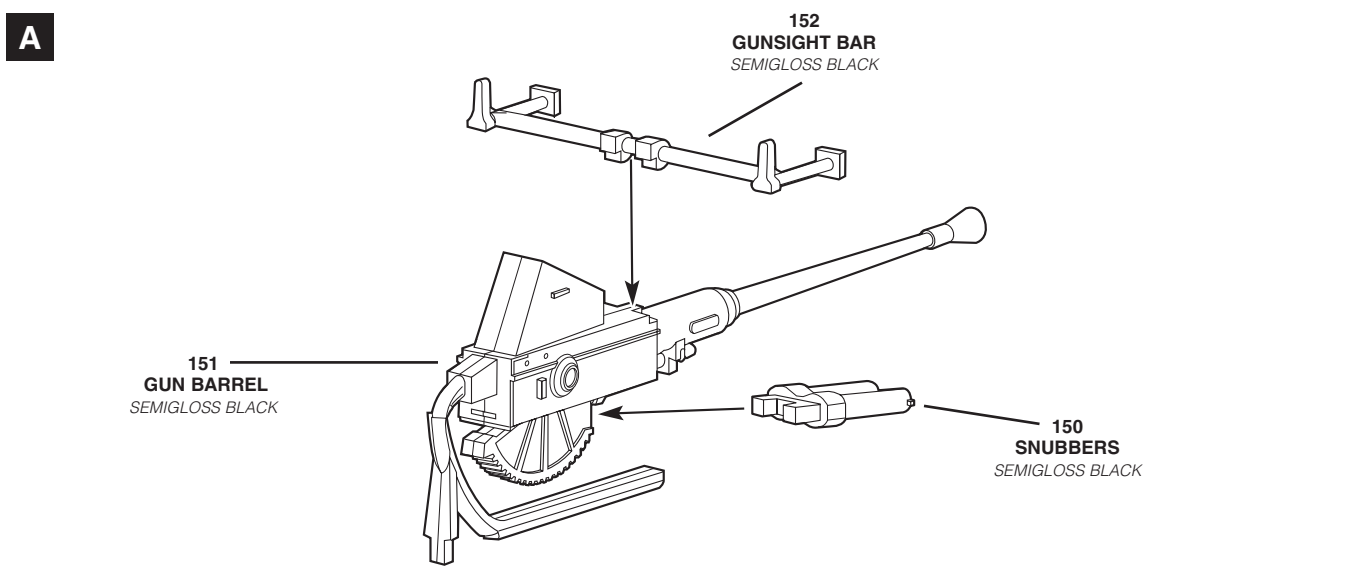
14

20 MM GUN ASSEMBLY



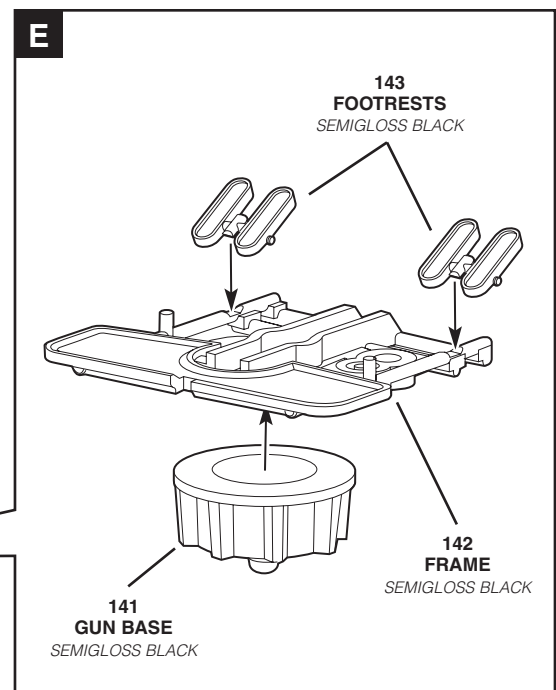
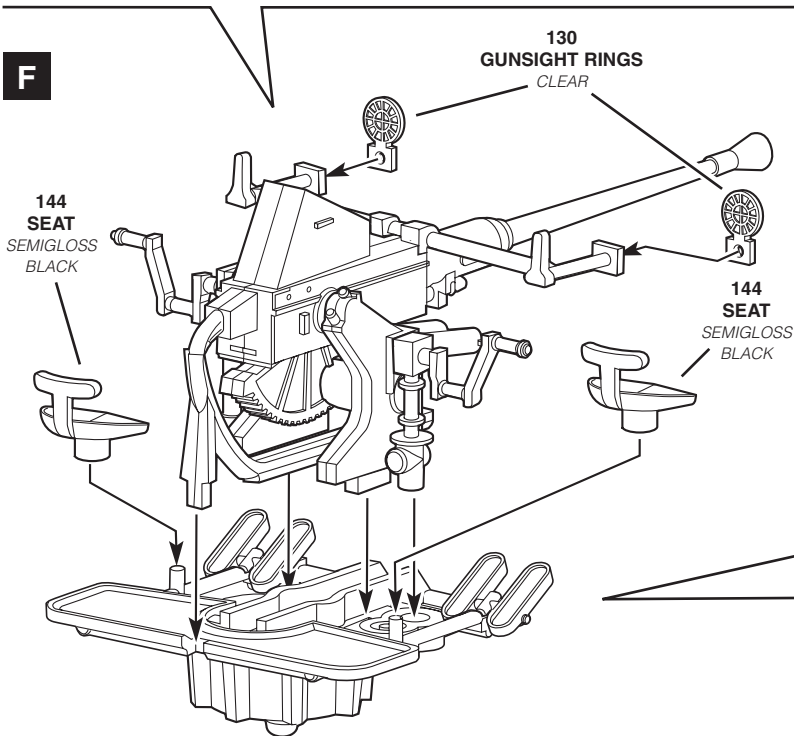
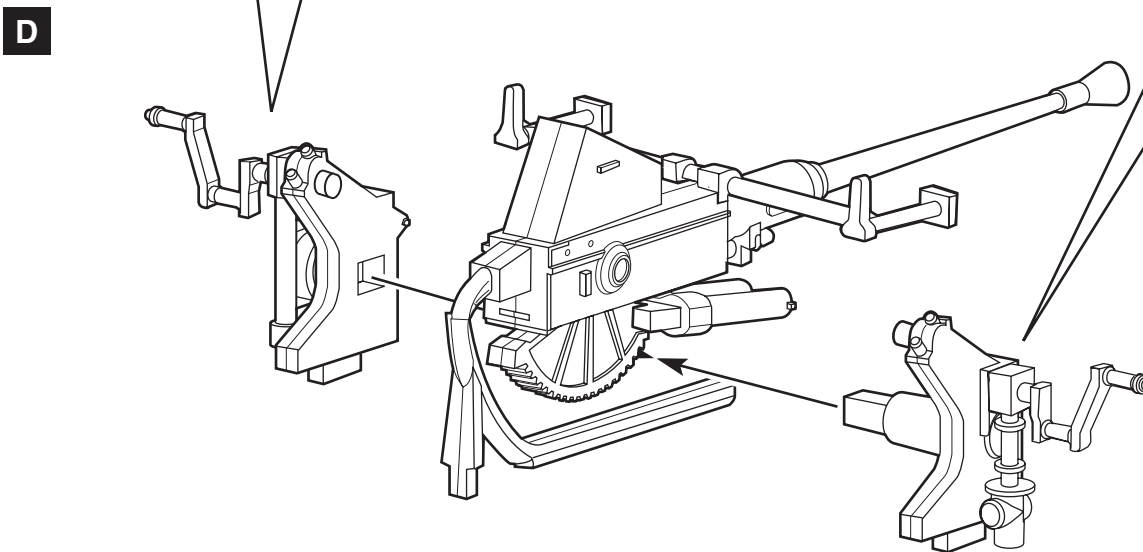
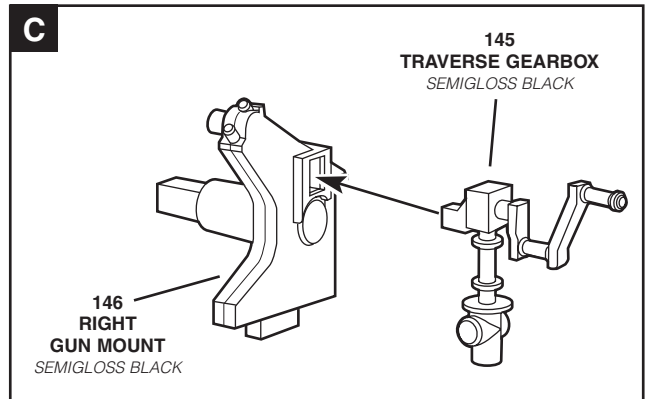
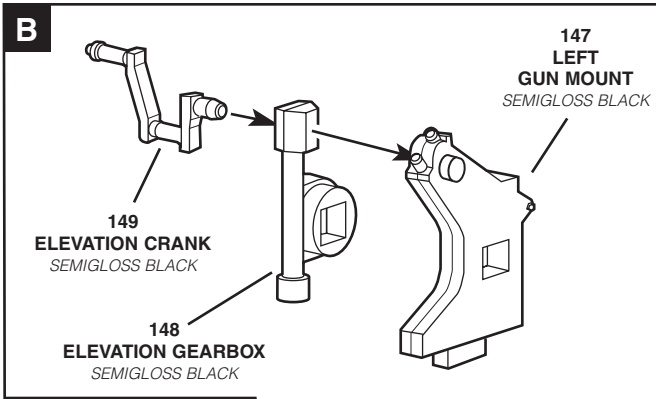
15

40 MM GUN ASSEMBLY

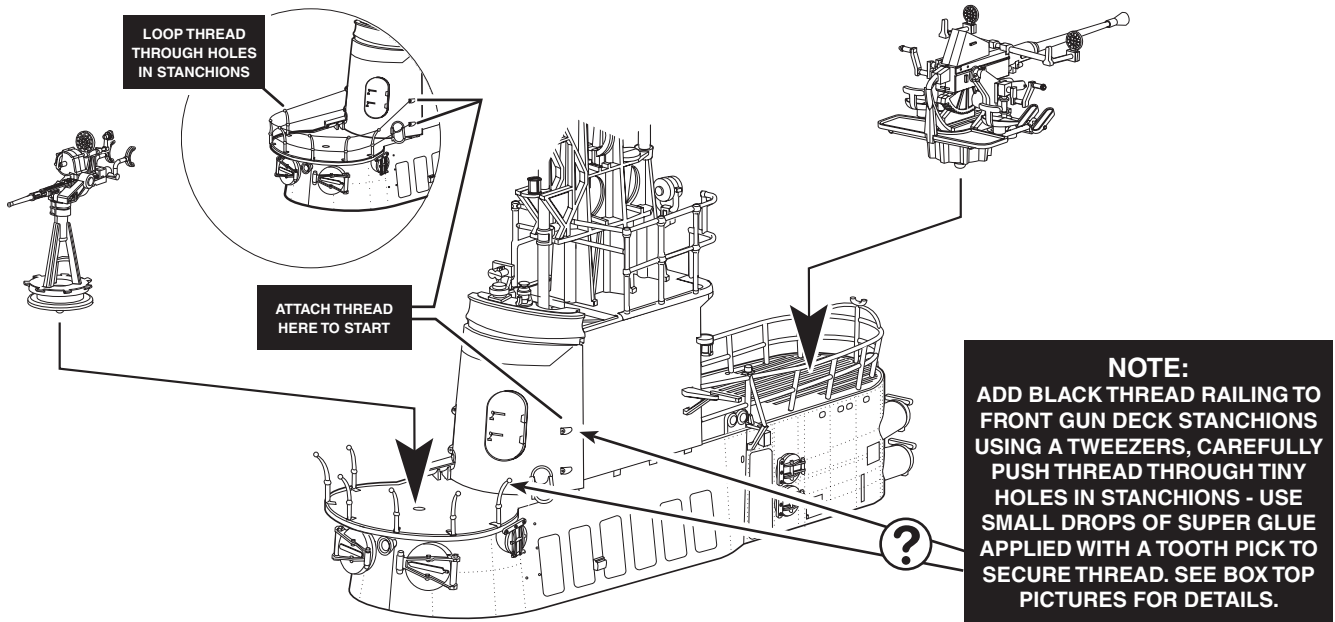


16

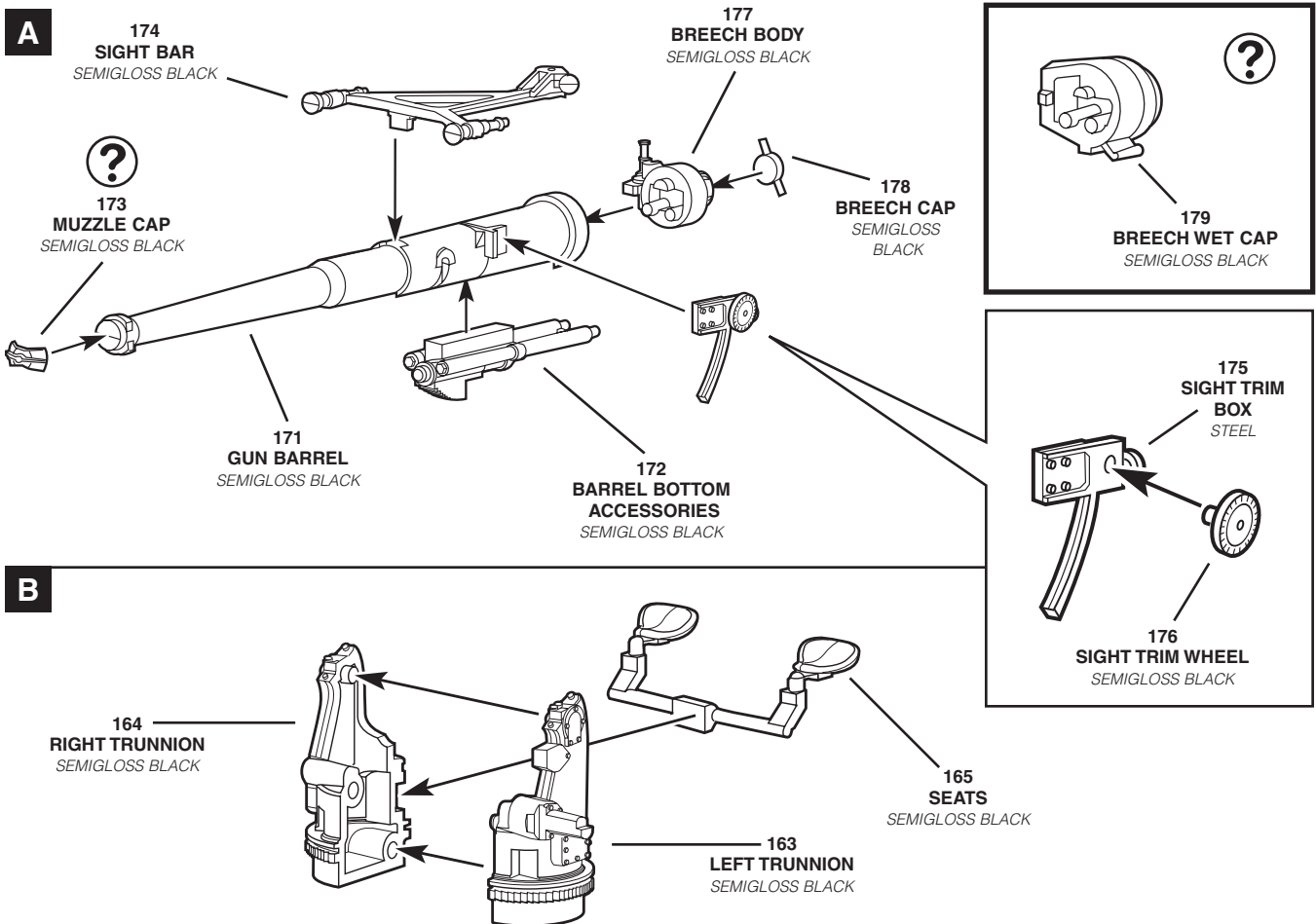
40 MM GUN ASSEMBLY FINAL



17 20 / 40 MM GUNS TO SAIL ASSEMBLY

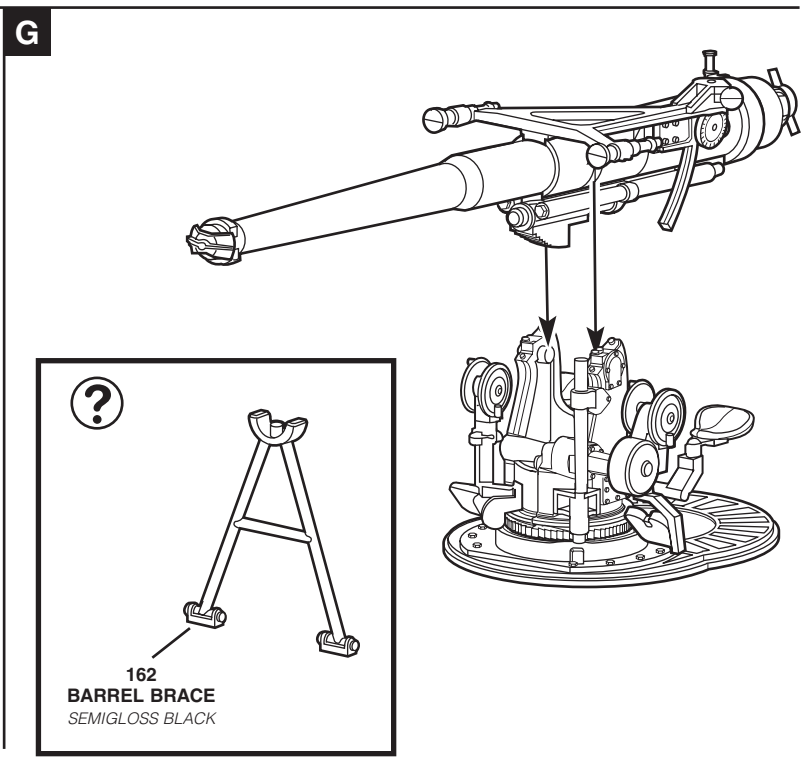
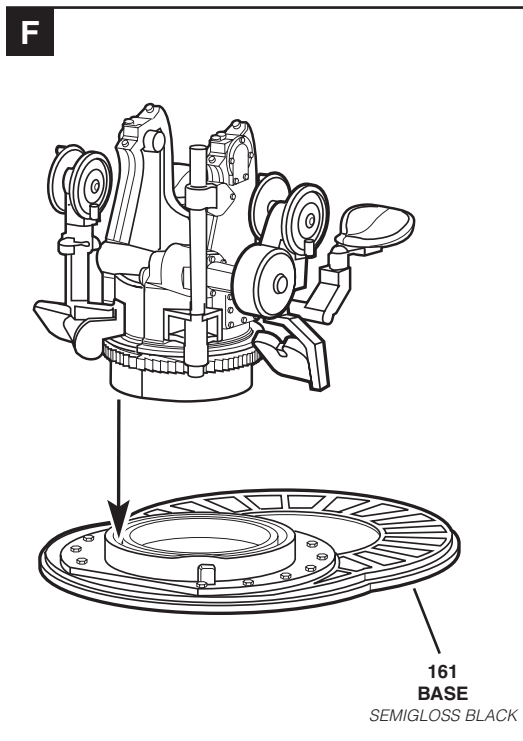
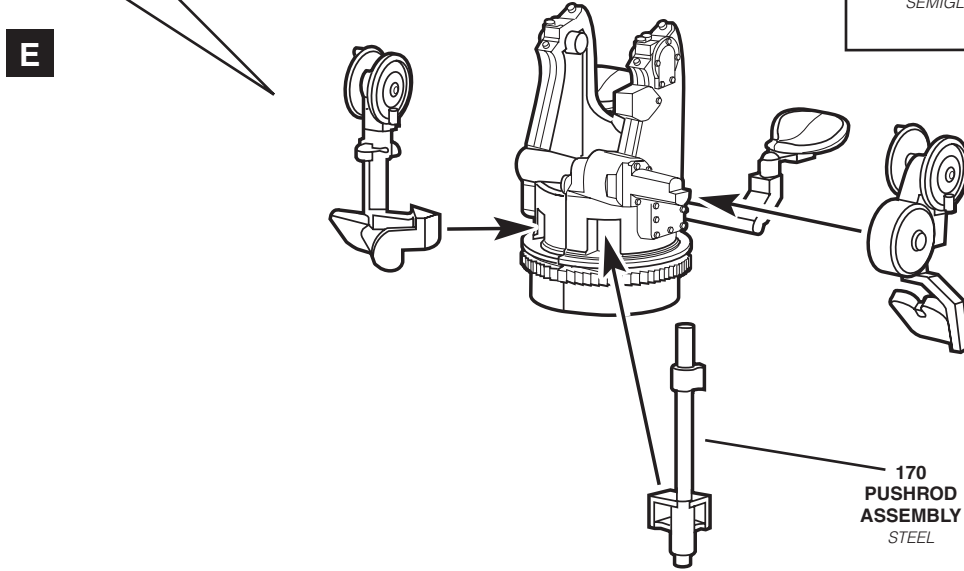
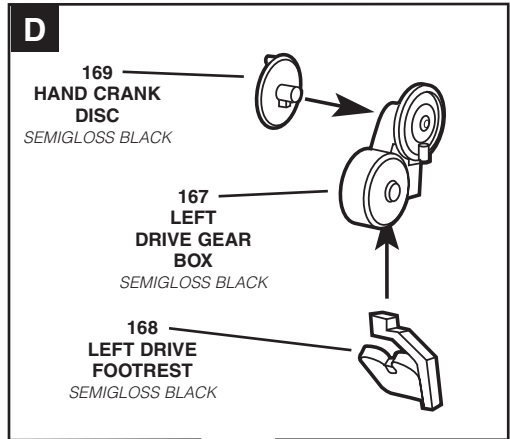
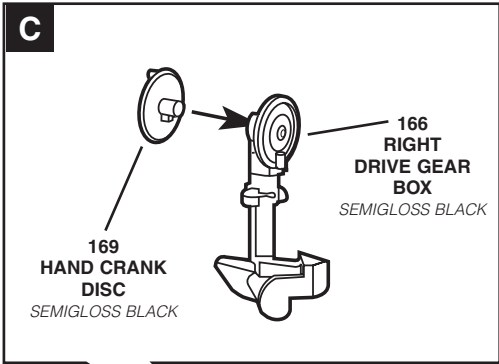


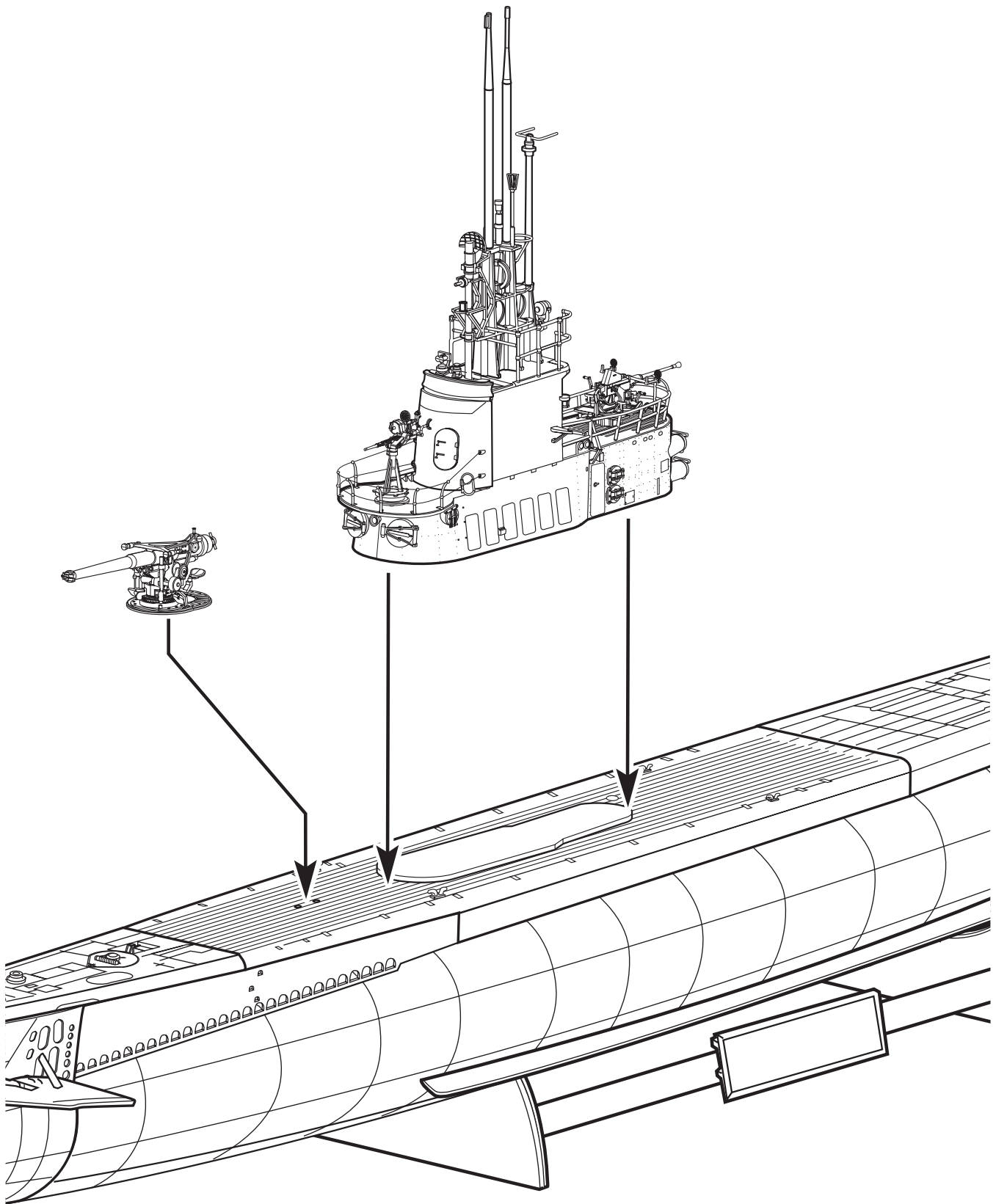
18 4 INCH GUN ASSEMBLY



19

4 INCH GUN ASSEMBLY CONTINUED



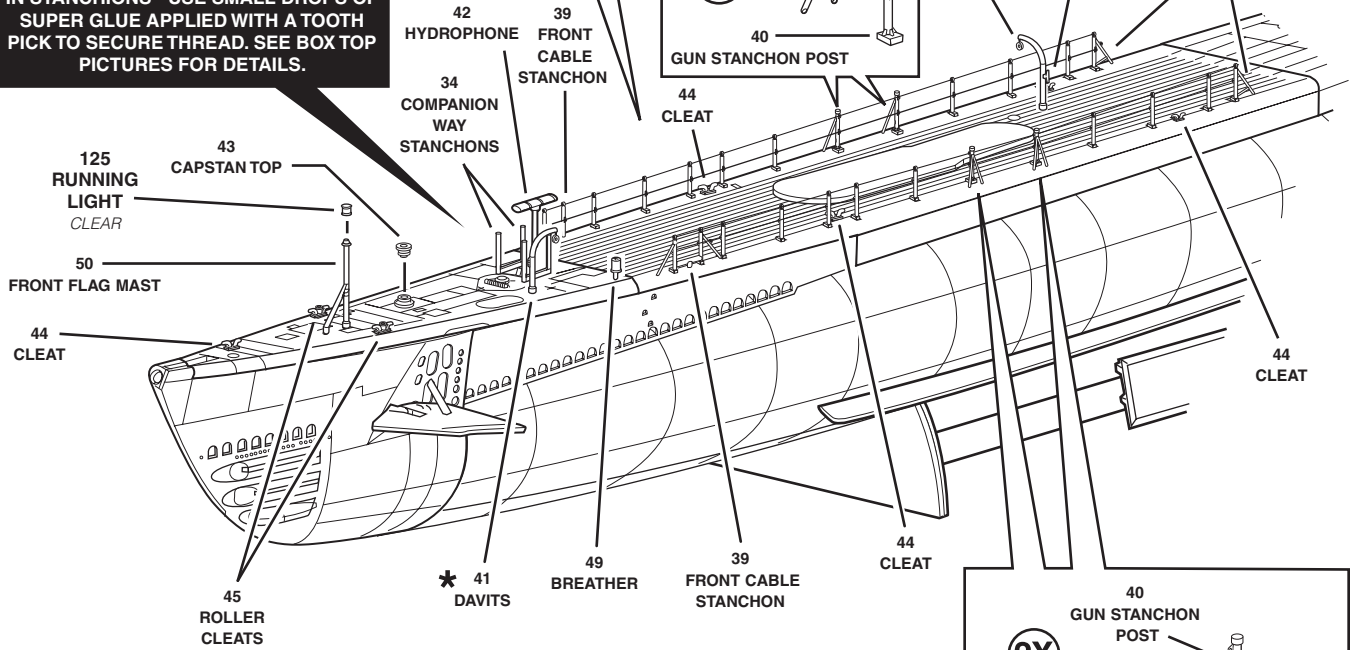
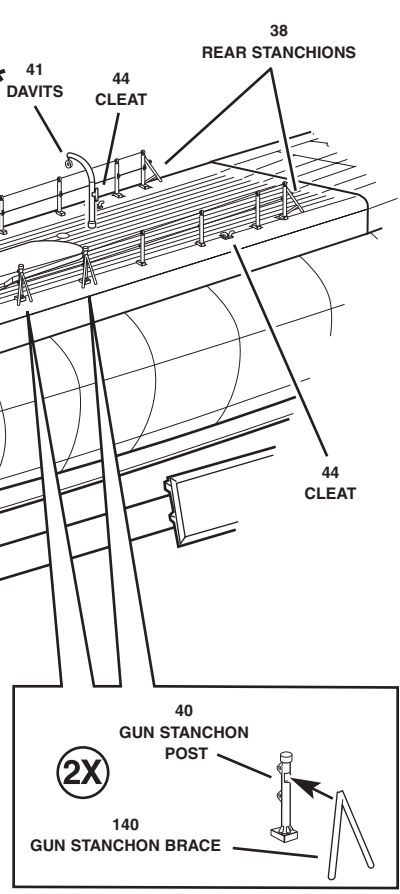
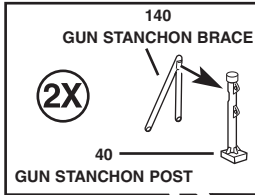


FORWARD AND CENTRAL DECKS

SAIL AND GUN NOT SHOWN FOR CLARITY

NOTE:
ADD BLACK THREAD RAILINGS TO STANCHIONS USING A TWEEZERS, CAREFULLY PUSH THREAD THROUGH TINY HOLES IN STANCHIONS - USE SMALL DROPS OF SUPER GLUE APPLIED WITH A TOOTH PICK TO SECURE THREAD. SEE BOX TOP PICTURES FOR DETAILS.

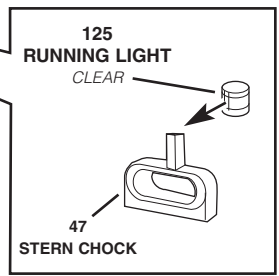
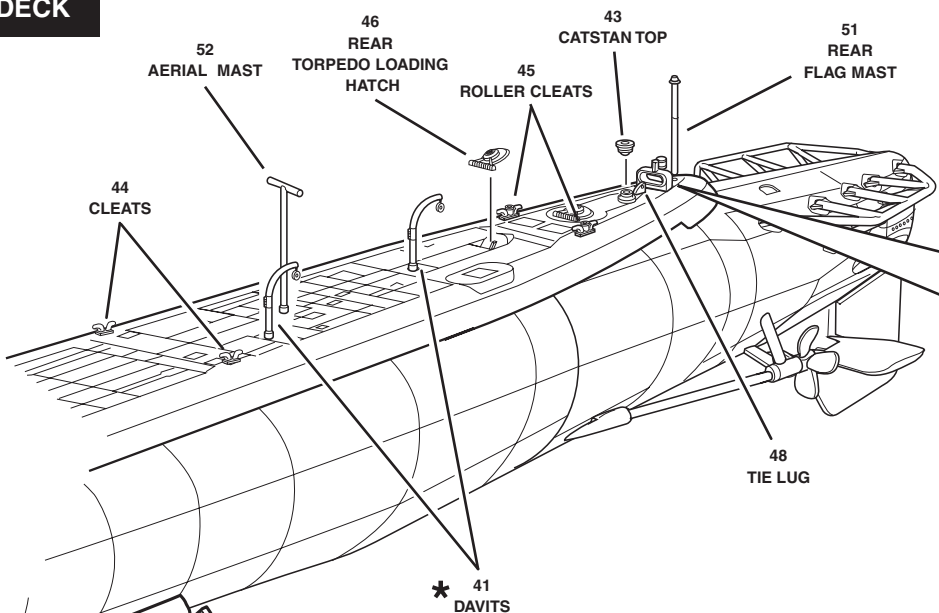
NOTE:



NOTE:
THERE ARE TWO OPTIONAL LOCATIONS FOR THE (2) #41 DAVITS. EITHER FORWARD AND CENTRAL DECK OR AFT DECK. SEE STEP 10 FOR LOCATIONS. ONLY (2) #41 DAVITS ARE IN THE KIT.

* ?

AFT DECK

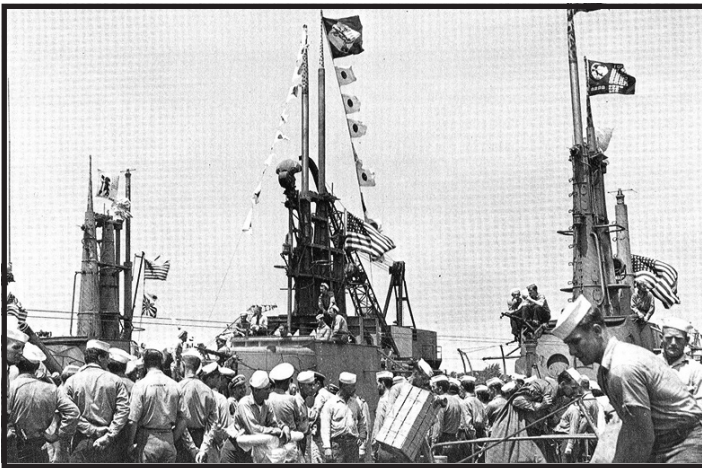




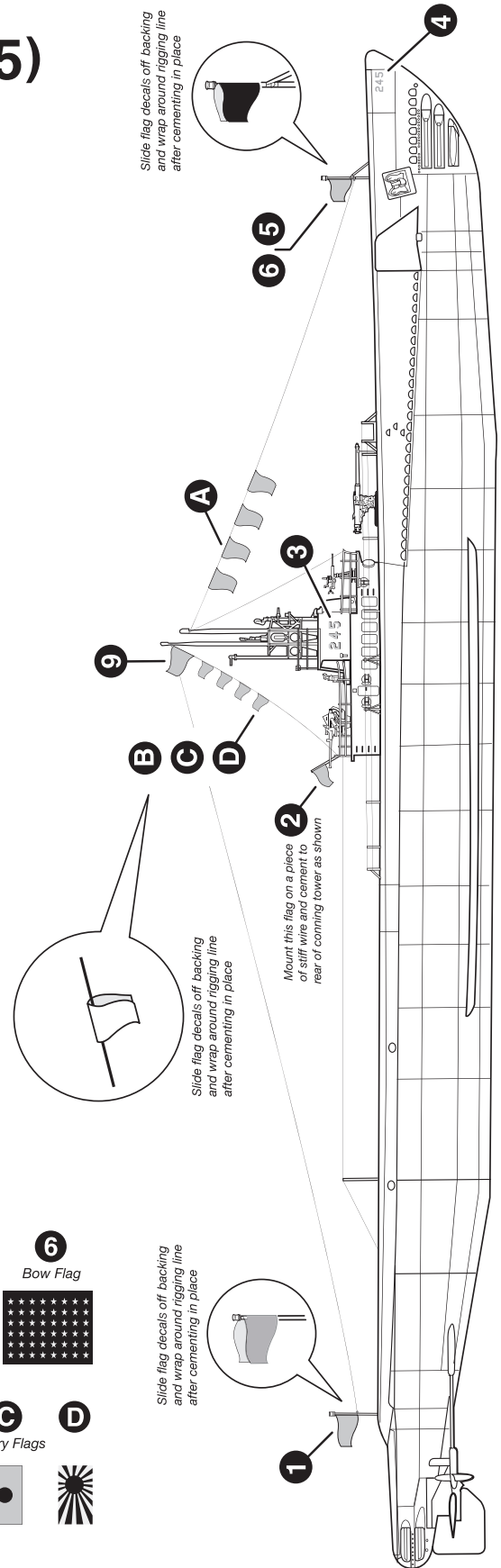
U.S.S. COBIA (SS-245)

USS Cobia (SS-245)

March 17, 1943: Laid down at Electric Boat Co. Croton, CT.
 November 28, 1943: Launched. March 29, 1944: commissioned.
 6 war patrols, 4 battle stars and 6 ships sunk totaling 16,835 tons.
 2 US flyers rescued. Became a National land mark and historic place
 at the Wisconsin Maritime Museum.



Slide flag decals off backing and wrap around rigging line after cementing in place



1

Stern Flag



2

Conning Tower Flag



3

Conning Tower Numbers



4

Bow Numbers



5

Bow Flag



6

Bow Flag



9

Battle Flag



A

(Radio Call Sign)



N (November)

B (Bravo)

Q (Quebec)

V (Victor)

B



C



D



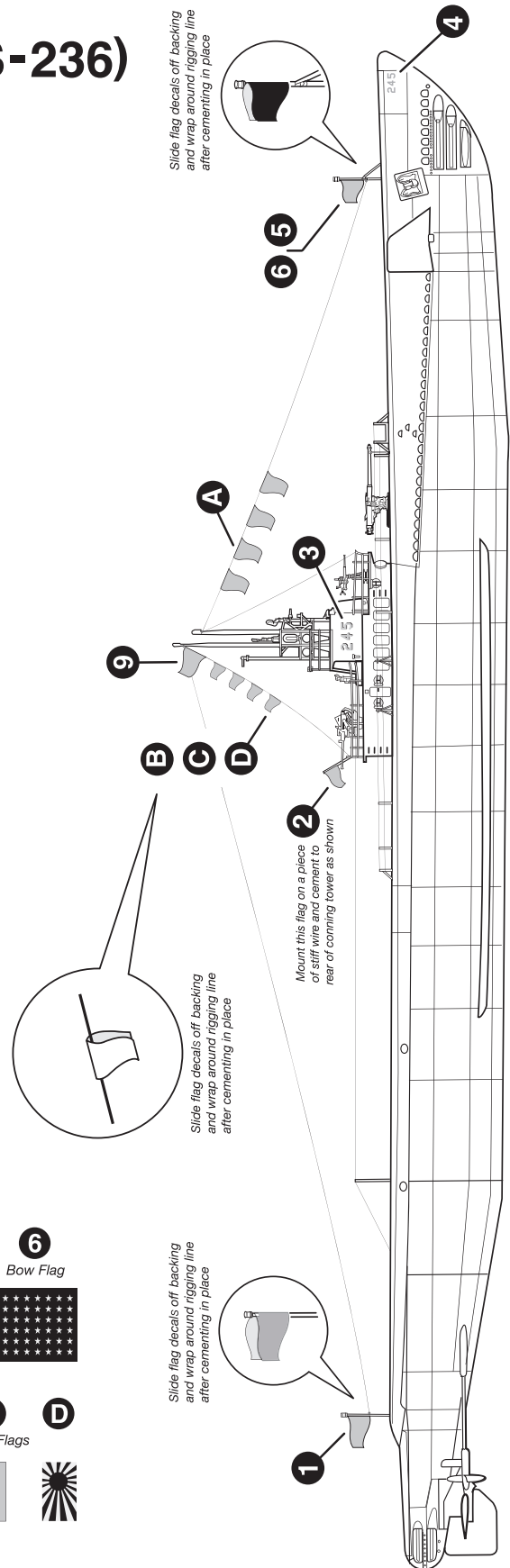
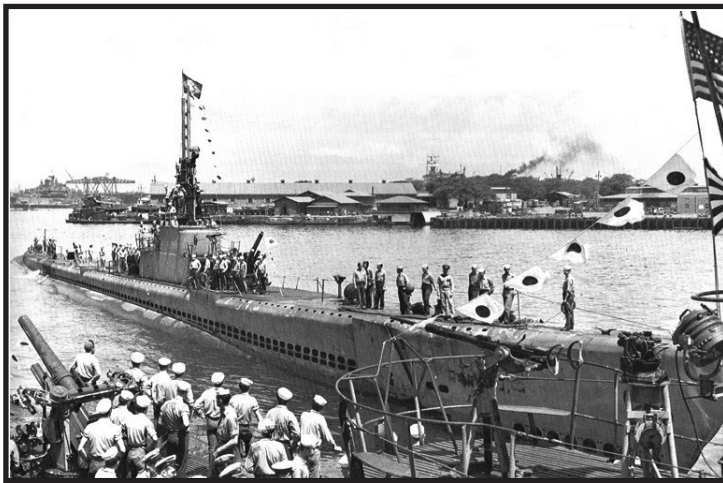
Victory Flags



U.S.S. SILVERSIDES (SS-236)

USS Silversides (SS-236)

November 4, 1940: Laid down at Mare Island Navy Yard, Vallejo, Ca.
 August 26, 1941: Launched. December 15, 1941: commissioned.
 14 war patrols, 12 battle stars with 23 ships sunk ranking 3rd totaling
 90,080 tons ranking 5th overall. 7 US Army bomber crew rescued.
 Preserved as a memorial at Great Lakes Naval Memorial and Museum, MI.



1

Stern Flag



2

Conning Tower Flag



3

Conning Tower Numbers



4

Bow Numbers



5

Bow Flag



6

Bow Flag



9

Battle Flag



A

(Radio Call Sign)



N (November)

A (Alpha)

H (Hotel)

Z (Zulu)

B



C



Victory Flags

D

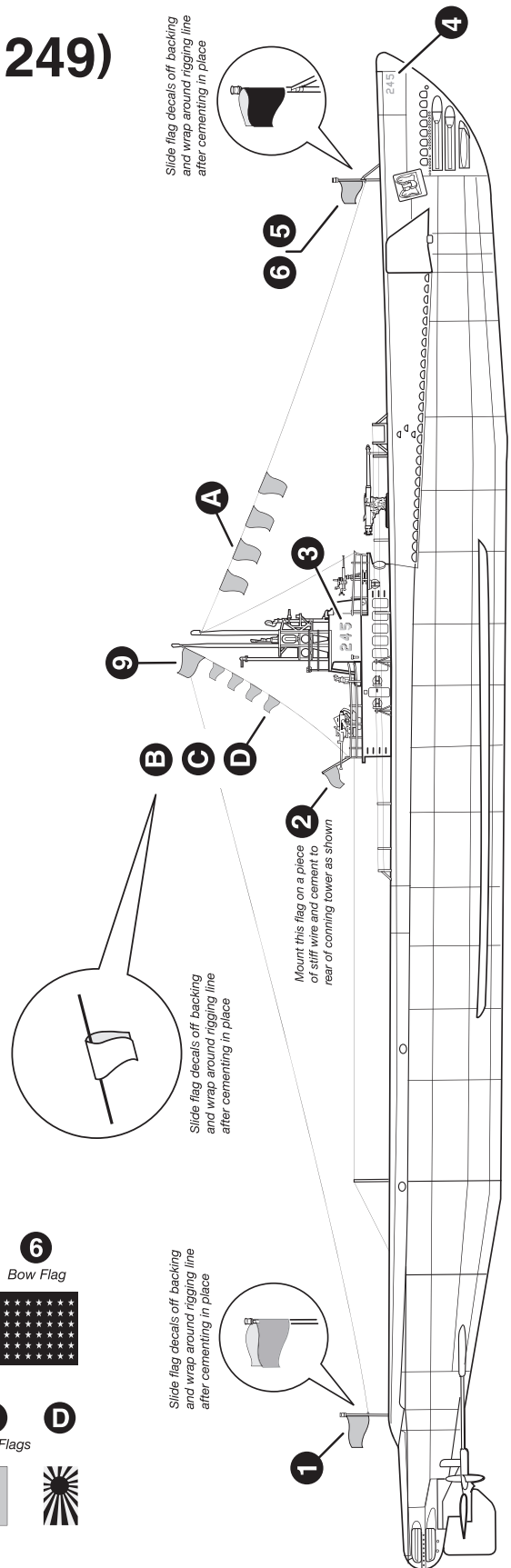




U.S.S. FLASHER (SS-249)

USS Flasher (SS-249)

September 30, 1942: Laid down at Electric Boat Co. Croton, CT.
 June 20, 1943: Launched. September 25, 1943: Commissioned.
 6 war patrols. Highly awarded with 3 Presidential Unit Citations.
 Asiatic-Pacific Area Service Ribbon. 6 battle star, 21 ships sunk
 ranking 4th with 100,231 tons ranking 1st. Her conning tower was
 removed to become a memorial in Nautilus Park, Croton, CT.



Slide flag decals off backing and wrap around rigging line after cementing in place

Mount this flag on a piece of stiff wire and cement to rear of conning tower as shown

Slide flag decals off backing and wrap around rigging line after cementing in place

1

Stern Flag



2

Conning Tower Flag



3

Conning Tower Numbers



4

Bow Numbers



5

Bow Flag



6

Bow Flag



9

Battle Flag



A

(Radio Call Sign)



N (November)

I (India)

X (X-Ray)

Q (Quebec)

B



C



D



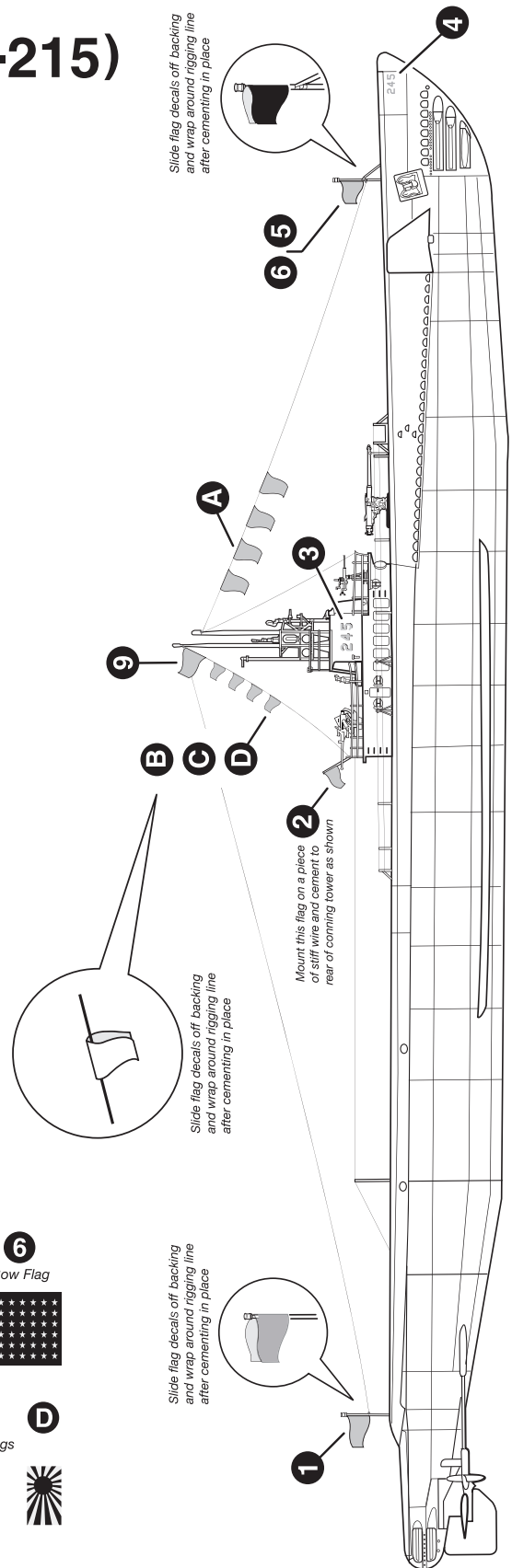
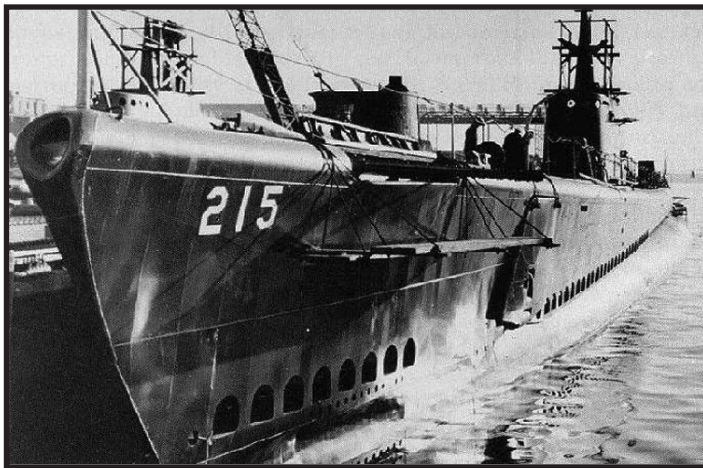
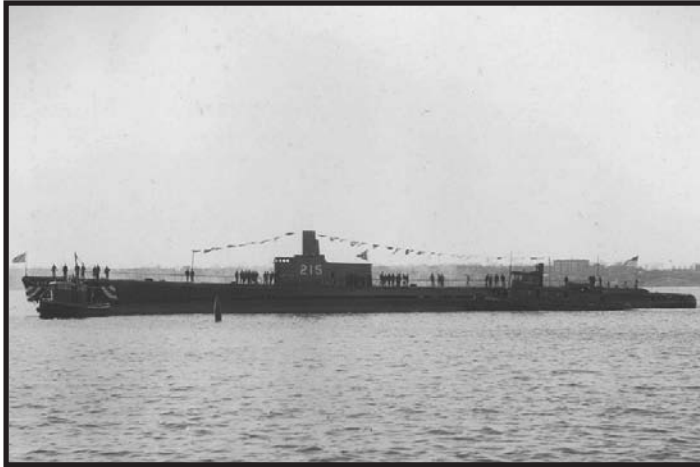
Victory Flags



U.S.S. GROWLER (SS-215)

USS Growler (SS-215)

February 10, 1940: Laid down at Electric Boat Co. Croton, Ct.
 November 22, 1941: Launched. March 20, 1942: Commissioned.
 11 war patrols, 8 battle stars, with 10 ships sunk totaling 32,607 tons.
 November 8, 1944, lost in action against the enemy operating West of the Philippine Group w/USS Hake and USS Hardhead in the South China Sea West of Mindoro, Philippines.



Slide flag decals off backing and wrap around rigging line after cementing in place

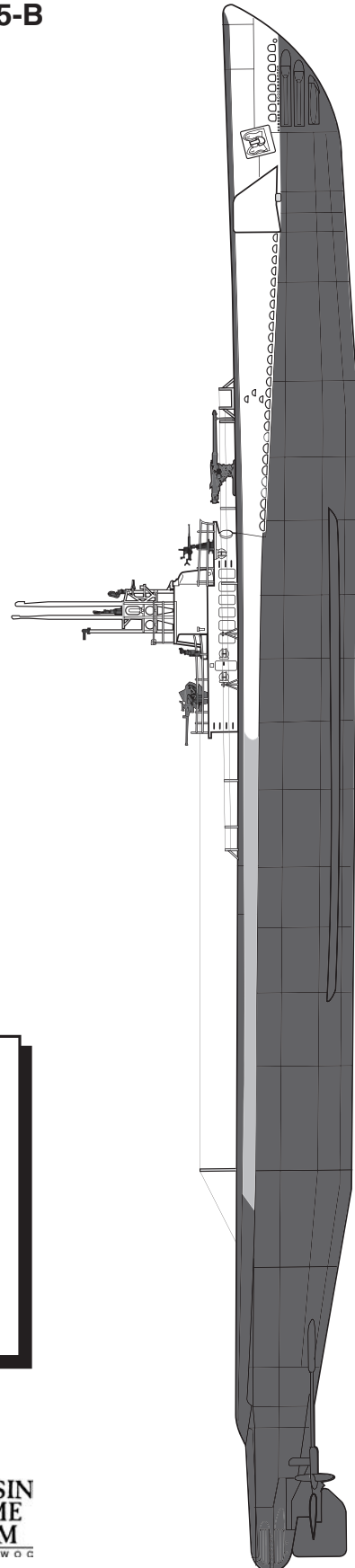
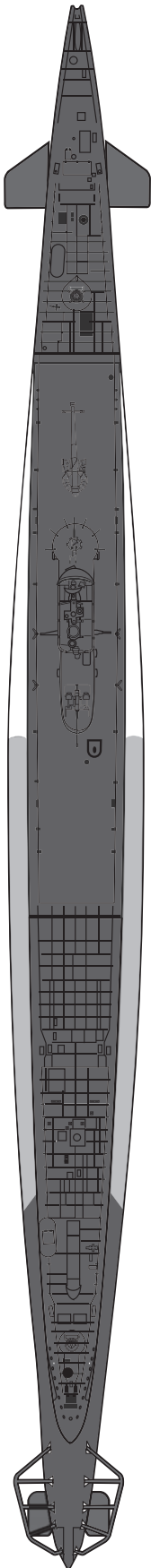
Slide flag decals off backing and wrap around rigging line after cementing in place




Slide flag decals off backing and wrap around rigging line after cementing in place

Mount this flag on a piece of stiff wire and cement to rear of conning tower as shown

1 Stern Flag 	2 Conning Tower Flag 	3 Conning Tower Numbers 	4 Bow Numbers 	5 Bow Flag 	6 Bow Flag
9 Battle Flag 	A (Radio Call Sign)				B Victory Flags
		C Victory Flags 	D Victory Flags 		
		N (November) 	C (Charlie) 	B (Bravo) 	P (Papa)

US NAVY MEASURE 32/355-B



	LIGHT GRAY <i>FS-36495</i> <i>Testors (#1732)</i>
	LIGHT GHOST GRAY <i>FS-36375</i> <i>Testors (#1728)</i>
	SEMIGLOSS BLACK <i>Testors (#1949)</i>

SPECIAL THANKS TO:

