



Wheel Horse®

265-H Lawn & Garden Tractor

265-H Lawn & Garden Tractor Int'l

Model No. 72048 – 9900001 & Up
Model No. 72070 – 9900001 & Up

Parts Catalog

ORDERING REPLACEMENT PARTS

To order replacement parts, please supply: the part number, the quantity, and the description of each part desired.

Contents

Description	Page	Description	Page
Hood & Grill Assembly	1	Single Cyl. Engine, Muffler, & PTO Assembly ..	14
Hydro Drive Components Assembly	2	Fender & Footrests Assembly	15
Front Axle Assembly	3	Seat Assembly	16
Battery Assembly	4	Dash Assembly	17
Fuel Tank & Hydro Reservoir Assembly	5	Rear Wheel Assembly	18
Lower Steering Assembly	6	Cruise Control Assembly	19
Steering Wheel & Tilt Assembly	7	Transaxle Assembly	20-32
Hoodstand & Firewall Assembly	8	Engine Assembly	33-43
Lift Lever & H.O.C. Assembly	9	Schematic	44
Hydro Brake Assembly	10	Toro Part Number Index	45-51
Hydro Controls Assembly	11	Maintenance	52-53
Frame Assembly	12		
Hydro Transaxle Assembly	13		

Note:

Accessories

Description	Model / Parts No.	Description	Model / Parts No.
38" Side Discharge Mower (Model No. 72048 only)	Model No. 78216	48" Dozer Blade	Model No. 79252
38" Side Discharge Mower (Model No. 72070 only)	Model No. 78218	42" Snowthrower	Model No. 79263
42" Side Discharge Mower (Model No. 72048 only)	Model No. 78231	38" Recycler Kit	Model No. 79170
42" Side Discharge Mower (Model No. 72070 only)	Model No. 78232	Baffle Kit—42" Side Discharge ..	Model No. 85501
48" Side Discharge Mower (Model No. 72048 only)	Model No. 78260	48" Blade Adapter	Part No. 92-6828
48" Side Discharge Mower (Model No. 72070 only)	Model No. 78268	42" Snowthrower Adapter	Part No. 93-7625
52" Side Discharge Mower (Model No. 72048 only)	Model No. 78280	Power Lift Kit	Part No. 94-5439
11 Cubic Foot Twin Bagger (38" S.D. Mower)	Model No. 79202	Cruise Control Kit	Part No. 93-0510
11 Cubic Foot Vac-Bagger (42" & 48" S.D. Mowers)	Model No. 79203	48" Recycler Kit	Model No. 79195
36" Tiller	Model No. 79271	48" Blade Skid Shoe	Part No. 92-6840
		Rear Wheel Weights	Model No. 81115
		Front Wheel Weights	Model No. 81214
		Tire Chains	Model No. 82522
		Cab	Model No. 79911
		Vinyl Cover	Part No. 110831
		R.H. Cleat Tire	Part No. 92-6789
		L.H. Cleat Tire	Part No. 92-6790
		Non Metallic Hubcap-8"	Part No. 94-3717
		Non Metallic Hubcap-12"	Part No. 94-3718

Part Description Abbreviations

Part descriptions in this catalog may include the following abbreviations.

Abbreviation	Meaning	Abbreviation	Meaning
AR	as required	CARR	carriage
ASM	assembly	DEG	degrees

FH	flat head	INC	incorporated
GA	gauge	LH	left hand
HF	hex flange	PH	pan head
HFW	hex flange washer	PPH	Phillips pan head
HH	hex head	PTO	power take off
HHF	hex head flange	RH	right hand
HHST	hex head self tapping	SFH	slotted fillister head
HJ	hex jam	SH	square head
HOC	height-of-cut	SHWH	slotted hex washer head
HS	hex socket	SPH	slotted pan head
HSBH	hex socket button head	STD	standard
HSFH	hex socket flat head	TAP	self tapping
HSH	hex socket head	TH	truss head
HWH	hex washer head	TTH	Torx truss head
HWHTF	hex washer head thread forming	WH	wing head

Important Format Explanations

This catalog uses special formats to convey information in illustrations and parts lists. Specifically, one format is used in conjunction with service assemblies and another with quantities associated with reference numbers.

Service Assemblies

Parts within service assemblies have reference numbers in the form $X:Y$. X is the reference number of the service assembly and Y is a sequential number unique to each part within the service assembly.

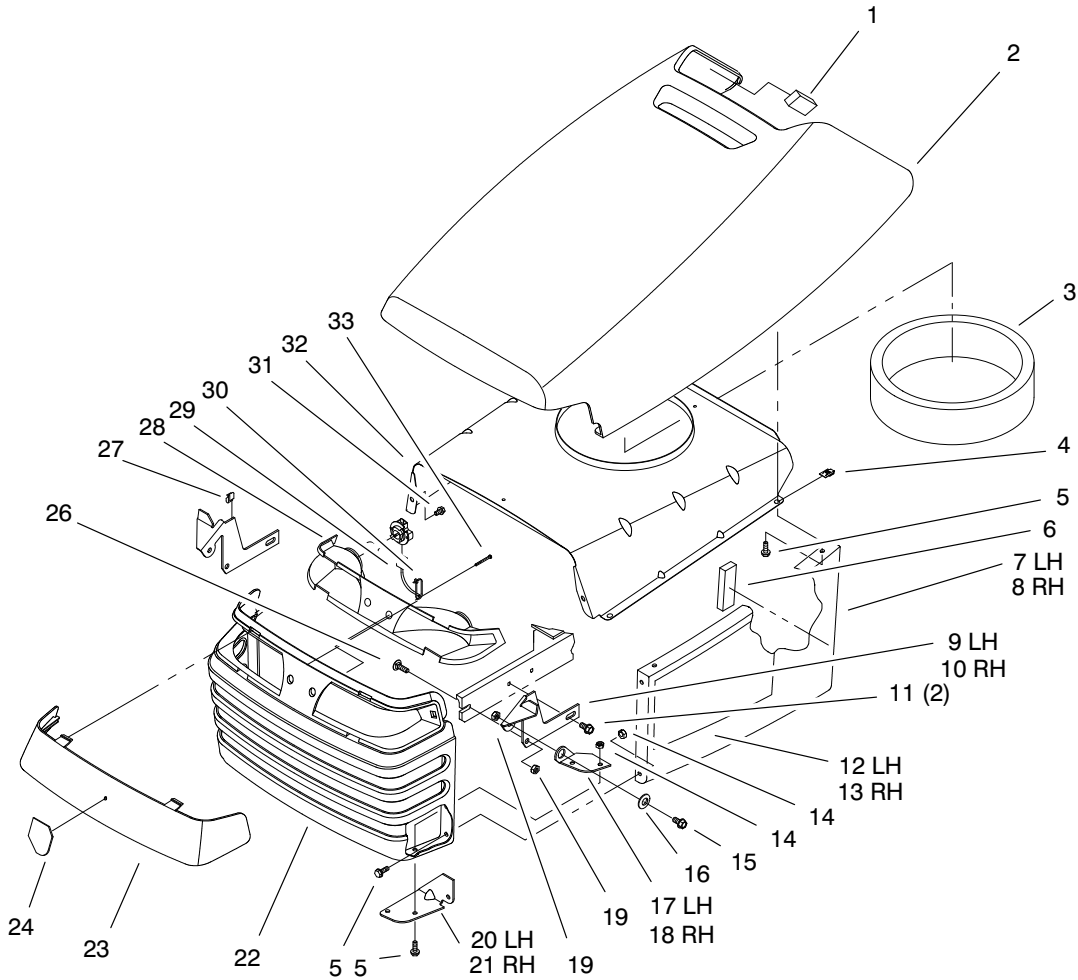
For example, a wheel assembly might be identified by reference number 6, the tire by 6:1, the valve by 6:2, and the wheel by 6:3. When you order the assembly identified by reference number 6, you receive all parts identified by reference numbers 6:1, 6:2, and 6:3. However, you may also order any part individually.

Reference numbers of this type appear in part lists and as callouts in illustrations.

Reference Numbers with Quantities

Illustrations may have a quantity in parentheses next to a reference number, in the form $X (Y)$. X is the reference number. Y in parentheses is the quantity of the part identified by the reference number.

For example, the illustration callout 4 (2) indicates that two parts are used in that instance.

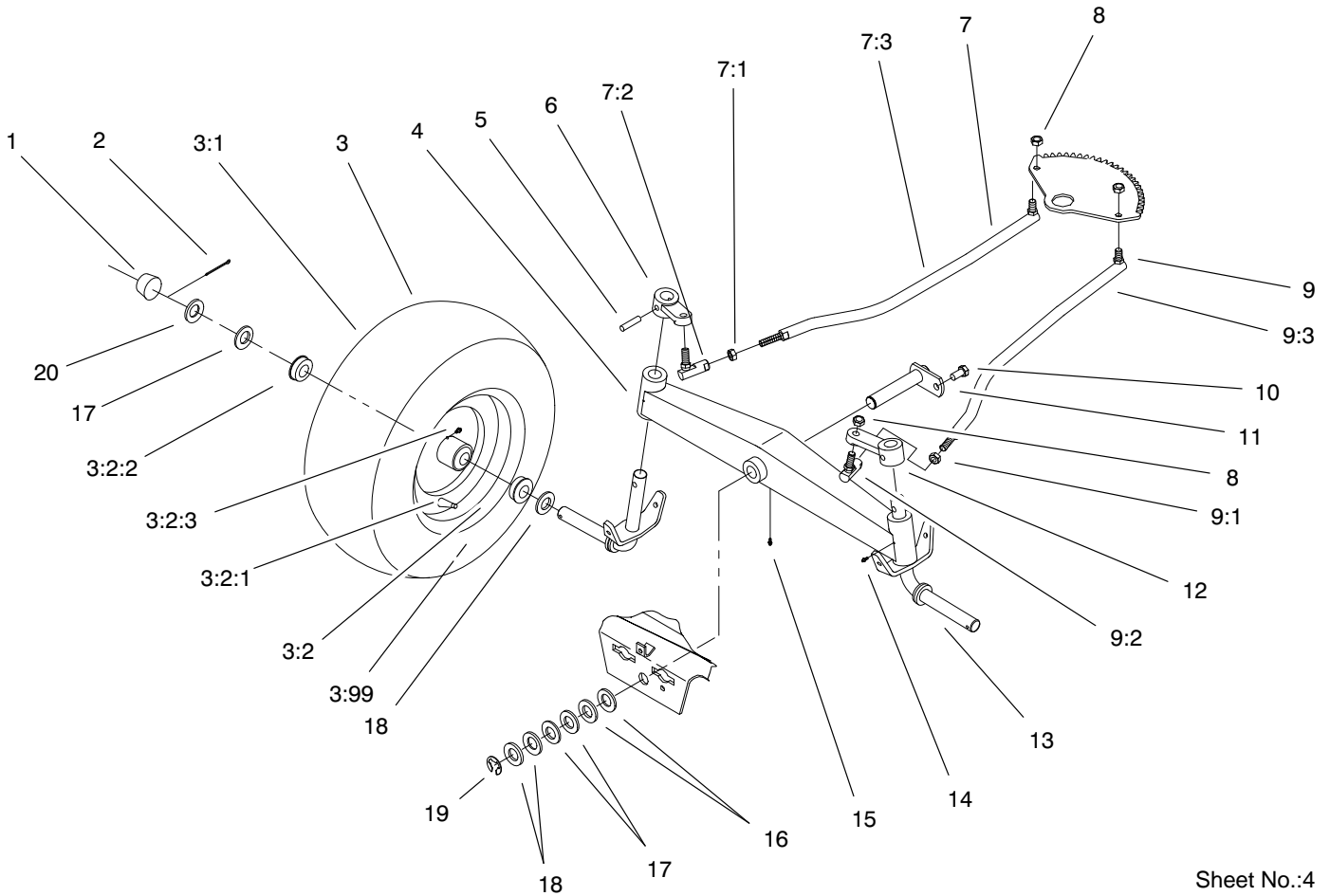


Sheet No.:2

Hood & Grill Assembly

Ref. No.	Part No.	Qty.	Description
1	94-1980	2	Foam - Hood
2	93-0490	1	Hood - Service ASM
3	92-7077	1	Seal-Air Inlet Single
4	92-7006	4	Nut - J Type
5	32105-15	12	Screw-Mach
6	92-7148	2	Foam - Sidepanel
7	92-6652	1	LH Hood Side (Toro)
8	92-6650	1	RH Hood Side (Toro)
9	92-6918-03	1	Bracket-LH Hinge
10	92-6917-03	1	Bracket-RH Hinge
11	32144-14	2	Screw-HWH
12	95-0801	1	Decal - Hood LH
13	95-0800	1	Decal - Hood RH
14	32128-10	8	Flange Locknut
15	322-3	2	Screw-HH
16	105503	2	Bushing
17	92-6997-03	1	Hinge - LH Hood
18	92-6996-03	1	Hinge - RH Hood
19	3296-29	4	Nut-Lock Ni
20	92-7049-03	1	Brkt-Hood Hinge RH
21	92-7048-03	1	Brkt-Hood Hinge LH
22	93-0494	1	Screen/Grill ASM
23	92-6656	1	Lens - Headlight
24	92-6987	1	Horsehead Emblem
26	3230-1	2	Screw-CARR
27	519337	1	Clip-Cable

Ref. No.	Part No.	Qty.	Description
28	88-3970	1	Reflector & Lamp ASM
29	88-4320	1	Wire Harness-Lights
30	614249	1	Strap-Tie Sm
31	46-8093	2	Screw-Plastite
32	92-6914-03	1	Baffle-Hood Upper
33	32144-32	2	Screw

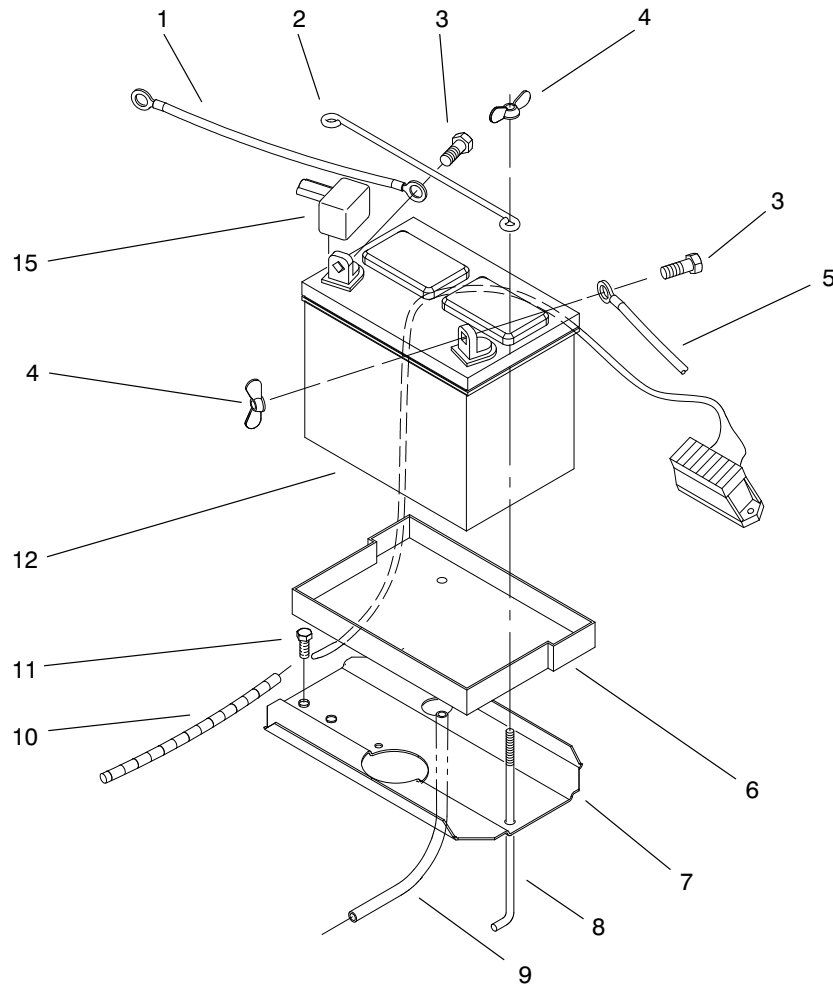


Sheet No.:4

Front Axle Assembly

Ref. No.	Part No.	Qty.	Description
1	61-9780	2	Cap-Hub
2	3272-17	2	Pin-Cotter
3		2	Wheel&tire ASM,Front
3:1	99-2336	1	Tire
3:2	93-9801	1	ASM - Wheel w/Zerk
3:2:1	5108	1	Valve-Tubeless Tire
3:2:2	110513	2	Bearing Wheel
3:2:3	109500	1	Zerk-Grease
3:99	105293	1	Tube
4	78-7960-01	1	Axle-Front
5	933270	2	Pin
6	78-1950-01	1	Arm-Front Spindle
7	92-6883	1	Steering Linkage, RH
7:1	9150854	1	Jam Nut
7:2	78-2920	1	Ball-Joint
7:3	78-5801	1	Ass'y-Ball Link
8	9150026	4	Nut-Eslok
9	92-6884	1	Steering Linkage, LH
9:1	9150854	1	Jam Nut
9:2	78-2920	1	Ball-Joint
9:3	78-5811	1	Ass'y-Ball Link L
10	9267154	1	Screw
11	92-7057-03	1	Pin - Axle Wa
12	78-1940-01	1	Arm-Front Spindle
13	78-2601-01	2	Wldmt-Spindle
14	302-5	2	Fitting-Lube

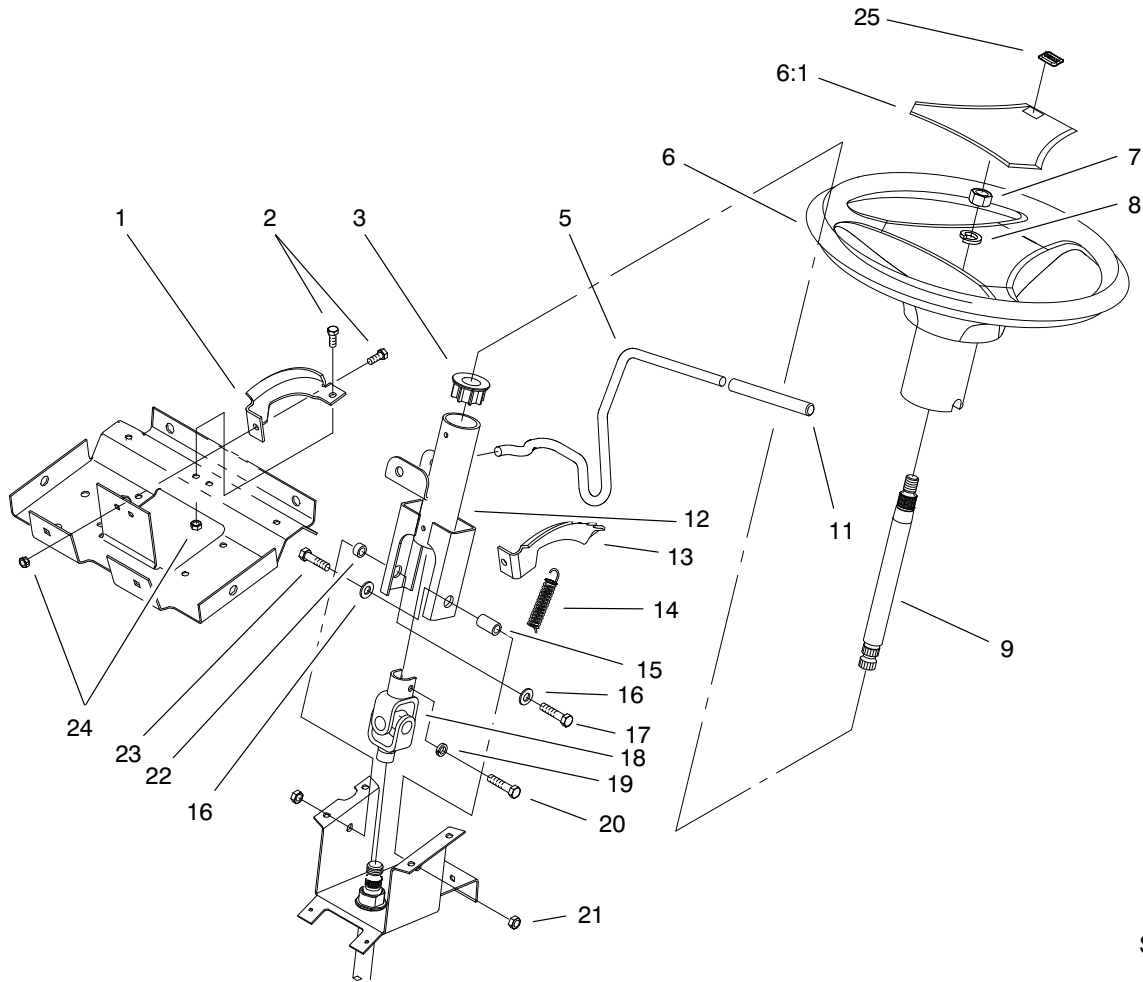
Ref. No.	Part No.	Qty.	Description
15	302-11	1	Zerk-45 Degree
16	9202324	2	Washer
17	1278	4	Washer
18	5210	4	Shim Washer
19	5618	1	E-Ring
20	28-2480	2	Washer



Sheet No.:6

Battery Assembly

Ref. No.	Part No.	Qty.	Description	Ref. No.	Part No.	Qty.	Description
1	92-6990	1	Wire -10" Red				
2	117316	1	Rod-Battery Hold Dwn				
3	321-4	2	Screw-HH				
4	32103-22	4	Nut-Wing				
5	111078	1	Wire - 10" Black				
6	106948	1	Tray-Battery				
7	78-6820-03	1	Plate-Battery				
8	109547	2	Hook				
9	114720	1	Tube-21" Battery Drain				
10	99-8067	1	Harness - Wire, 265-H				
11	32144-14	1	Screw-HWH				
12	105842	1	Battery (Dry)				
15	28-8080	1	Boot-Terminal				

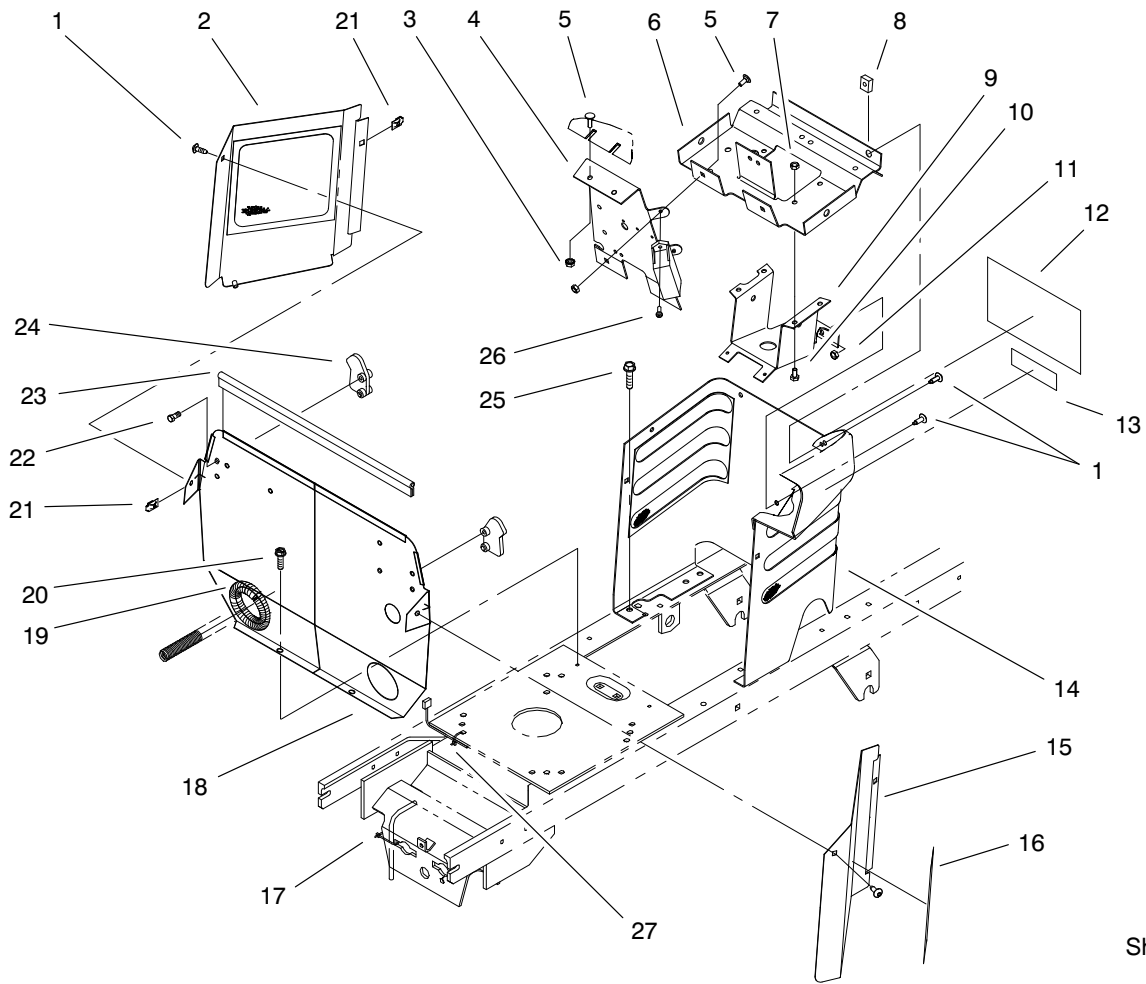


Sheet No.:9

Steering Wheel & Tilt Assembly

Ref. No.	Part No.	Qty.	Description
1	92-6777-03	1	Brkt - Supt Column
2	321-4	4	Screw-HH
3	93-1146	1	Bushing - Upper Strg
5	92-6971	1	Lever - Tilt Plated
6	98-1471	1	Wheel - Steering 14" (Only On: 72048)
6	98-1472	1	Wheel - Steering, Toro (Only On: 72070)
6:1	98-1468	1	Cover - Wheel, Steering (Only On: 72048)
7	3217-9	1	Nut-Hex
8	3253-7	1	Washer-Lock/Sp
9	94-2874	1	Shaft - Short Steering
11	92-6798	1	Cap - Rod Tilt
12	93-1148-03	1	Column - Wa
13	92-6776	1	Bracket - Detent
14	93-1357	1	Spring - Ext., Steering
15	92-6999	1	Spacer - Yoke
16	3256-23	2	Washer-Flat
17	322-3	1	Screw-HH
18	92-6717	1	U Joint - Steering
19	3253-4	2	Washer-Lock/Sp
20	33114-030	2	Screw-HH
21	3296-29	2	Nut-Lock Ni
22	92-6998	1	Spacer - Yoke, Right

Ref. No.	Part No.	Qty.	Description
23	322-17	1	Screw-HH
24	3296-8	4	Nut-Lock Ni
25	98-1459	1	Decal - Toro

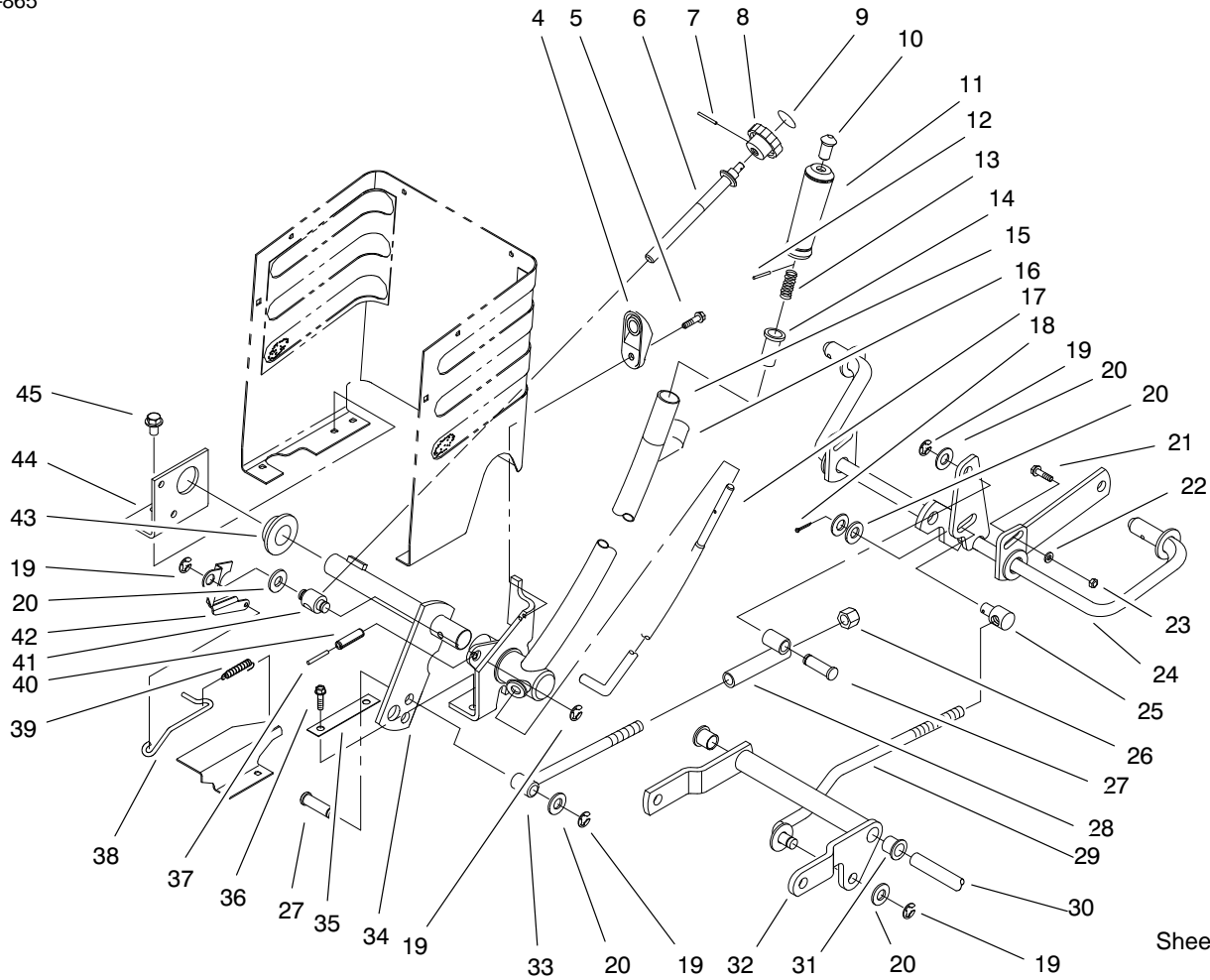


Sheet No.:10

Hoodstand & Firewall Assembly

Ref. No.	Part No.	Qty.	Description
1	92-7020	9	Screw-HH
2	92-6937-03	1	Cover-RH Side Wa
3	32149-2	2	Nut-Keps
4	99-8040-03	1	Support - Dash
5	3229-11	4	Screw-CARR
6	92-6859-03	1	Support - Dash
7	3296-8	4	Nut-Lock Ni
8	92-6860	4	Nut Retainer - J Type
9	92-6778-03	1	Brkt - Lower Column
10	321-4	4	Screw-HH
11	3296-42	3	Nut-Lock Ni
12	93-7313	1	Decal-Slope/Hydro- nt'l (Only On: 72070)
12	93-0302	1	Decal - Danger (Only On: 72048)
13	83-6620	1	Decal - Instruction
14	92-6694-03	1	Hoodstand Wa (Black)
15	92-6936-03	1	Cover-LH Side Wa
16	95-0804	2	Decal - 265 Hydro
17	614249	1	Strap-Tie Sm
18	94-1749-03	1	Firewall
19	24-7924	2	Drive Shaft Cover
20	32144-4	2	Screw-HH
21	92-7006	4	Nut - J Type
22	46-8093	2	Screw-Plastite
23	93-1131	1	Trim-Seal Firewall

Ref. No.	Part No.	Qty.	Description
24	92-6960	2	Latch - Hood
25	32144-14	2	Screw-HWH
26	32144-8	2	Screw-HH
27	614249	1	Strap-Tie Sm



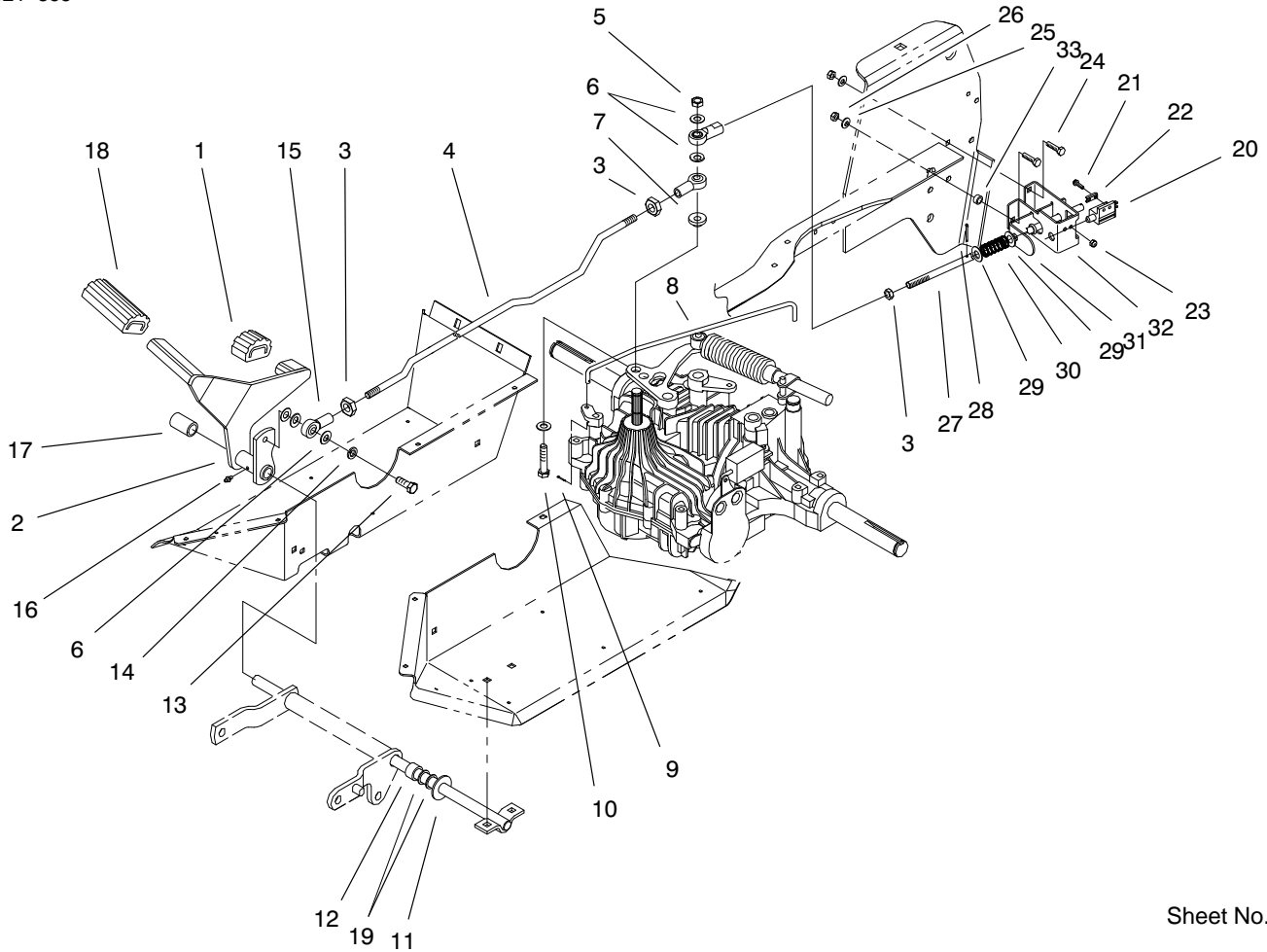
Sheet No.:11

Lift Lever & H.O.C. Assembly

Ref. No.	Part No.	Qty.	Description
4	92-6794	1	Wedge – HOC
5	32144-4	1	Screw-HH
6	92-6965	1	Rod – HOC
7	933141	1	Pin-Spirol
8	115593	1	Knob
9	78-9740	1	Decal-Height Knob
10	92-6711	1	Tip-Rod
11	92-6710	1	Grip-Handle
12	933148	1	Spirol-Pin
13	3624	1	Spring-Compression
14	8130	1	Retainer-Spring
15	94-3761-03	1	Lever-Lift
16	112168	1	Decal-lift
17	92-6977-03	1	Rod-Lift Lever
18	3272-6	1	Pin-cotter
19	32120-47	5	E Ring-External
20	3256-26	6	Washer-Flat
21	3231-25	2	Screw-CARR
22	3256-24	2	Washer-Flat
23	3296-39	2	Nut-Lock Ni
24	79-3401-03	1	Shaft-Gage
25	8870	1	Rod-Trunnion Lift
26	3296-23	1	Nut-Lock Ni
27	79-1250	2	Pin
28	78-7390	1	Tube
29	78-2431	1	Rod

Ref. No.	Part No.	Qty.	Description
30	94-4944	1	Shaft – Pedal Pivot
31	256-90	2	Bshg-Flg
32	92-6855-03	1	Arm-Pivot
33	78-7360	1	Wldmt-Rod
34	94-3552-03	1	Shaft-Lift
36	32144-14	2	Screw-HWH
37	32121-103	1	Pin-Sprl
38	92-6978	1	Rod – HOC Indicator
39	92-7007	1	Spring – Extension
40	32121-25	1	Pin-Roll
41	78-2140	1	Trunnion
42	92-6979	1	Plate – HOC Gage
43	106269	1	Bearing-Flange
44	93-0523-03	1	Brkt-Pivot Linkage
45	32144-14	2	Screw-HWH

* Not illustrated

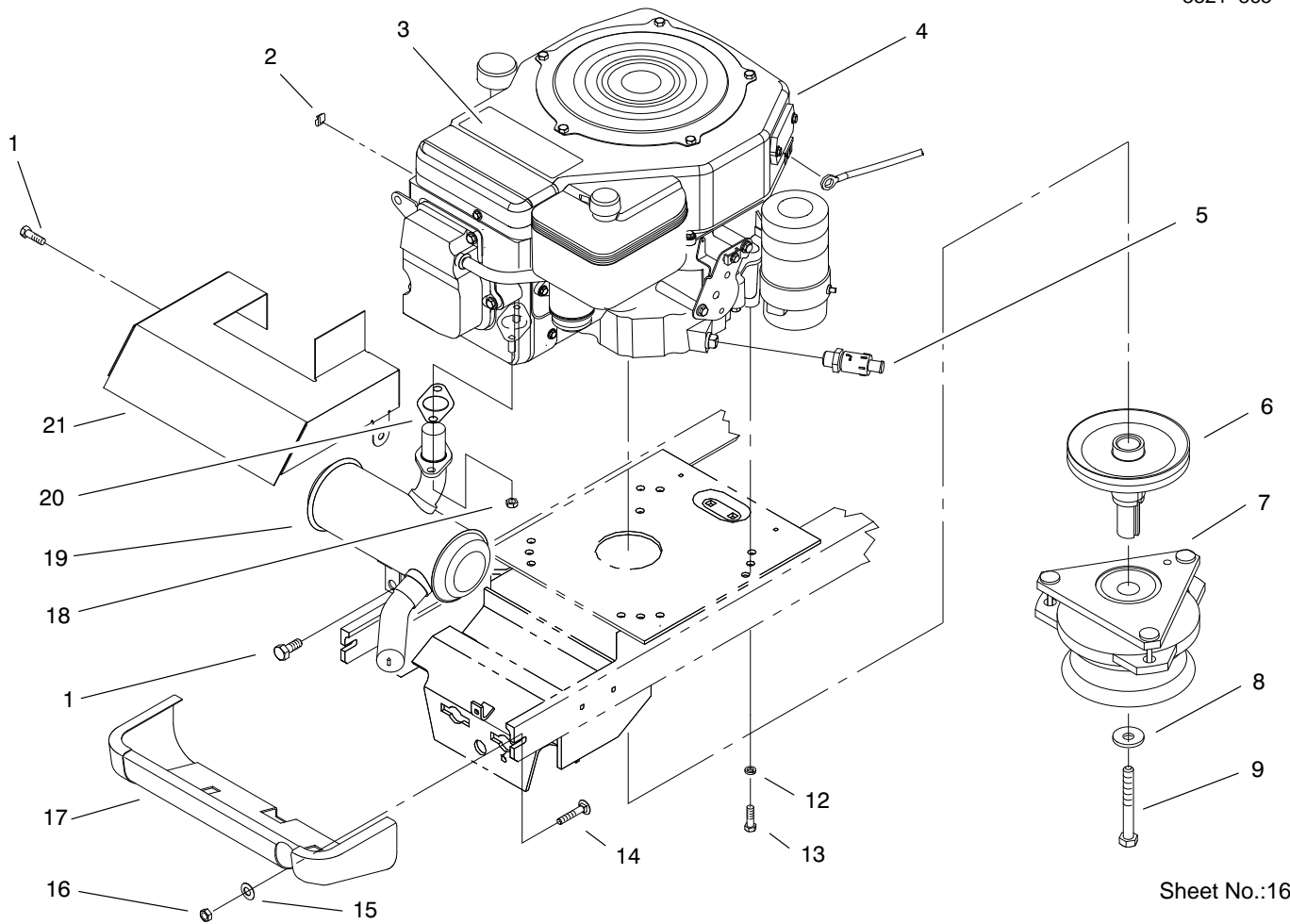


Sheet No.:13

Hydro Controls Assembly

Ref. No.	Part No.	Qty.	Description
1	92-6903	1	Pedal Pad
2	92-6913-03	1	Pedal-Hydro Wa
3	3220-3	3	Nut-Jam
4	92-7018	1	Rod - Hydro
5	3296-59	1	Nut-Lock Ni
6	3256-24	6	Washer-Flat
7	92-6962	1	Bushing
8	94-1588	1	Rod - Bypass
9	3272-2	1	Pin-Cotter
10	323-10	1	Screw-HH
11	94-6875	1	Washer
12	94-4945	1	Spacer
13	323-7	1	Screw-HH
14	3253-5	1	Washer-Lock/Sp
15	92-7008	3	Rod End - Female
16	302-26	1	Zerk
17	92-6966	1	Spacer
18	92-6902	1	Pedal Pad
19	9202154	2	Washer
20	95-1653	1	Switch - Single Pole
21	3290-392	2	Screw - Hex Head Slot
22	94-7905	1	Retainer-Screw
23	3296-1	2	Nut-Lock Ni
24	321-6	2	Screw-HH
25	3256-22	4	Washer-Flat

Ref. No.	Part No.	Qty.	Description
26	3296-42	2	Nut-Lock Ni
27	99-6759	1	Rod-Nmir
28	3272-6	1	Pin-Cotter
29	3256-24	2	Washer-Flat
30	38-2340	1	Comp Spring
31	99-6760	1	Arm-Push
32	99-6758-03	1	Bracket, Nmir
33	92-6998	1	Spacer - Yoke, Right

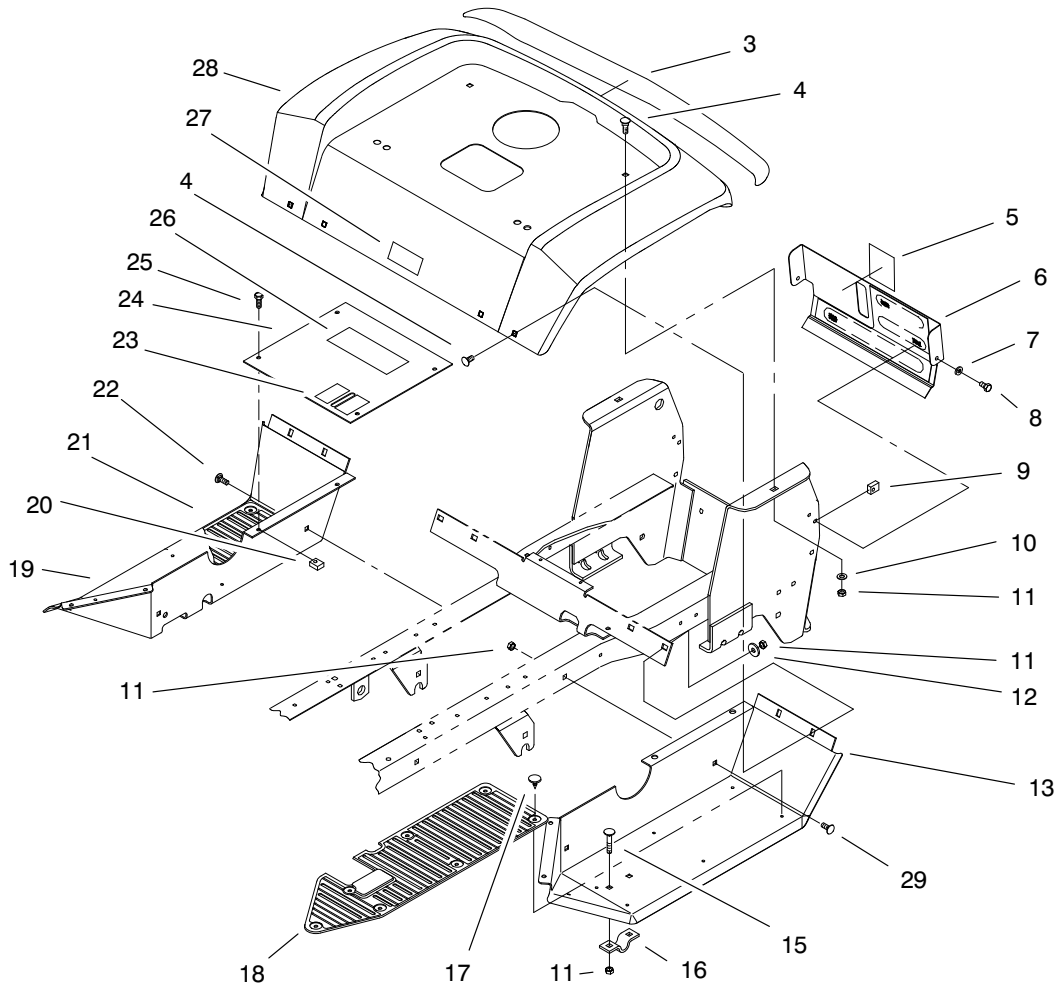


Sheet No.:16

Single Cyl. Engine, Muffler, & PTO Assembly

Ref. No.	Part No.	Qty.	Description
1	32144-14	3	Screw-HWH
2	702366	1	Clip-Wire Retainer
3	94-2970	1	Decal - Toro Power + 15
4		1	Engine - Kohler 15 Int'l (Only On: 72070)
4		1	Engine - Kohler 15 (Only On: 72048)
5	92-6877	1	Valve - Oil Drain
6	92-6888	1	Pulley-Engine (Hydro)
7	92-6885	1	Clutch - Elec PTO (Only On: 72070)
7	94-2514	1	Clutch - PTO (Only On: 72048)
8	112843	1	Washer
9	9114466	1	Screw-HH
12	3253-4	4	Washer-Lock/Sp
13	33114-030	4	Screw-HH
14	3231-25	2	Screw-CARR
15	3256-24	2	Washer-Flat
16	3296-39	2	Nut-Lock Ni
17	92-6867-01	1	Shield-Muffler
18	92-6780	2	Nut-Hex Flange
19	98-1761	1	Muffler - Single
20	92-6716	1	Gasket-Exh.single

Ref. No.	Part No.	Qty.	Description
21	92-6878-03	1	F/W Shield-Mufflr Single

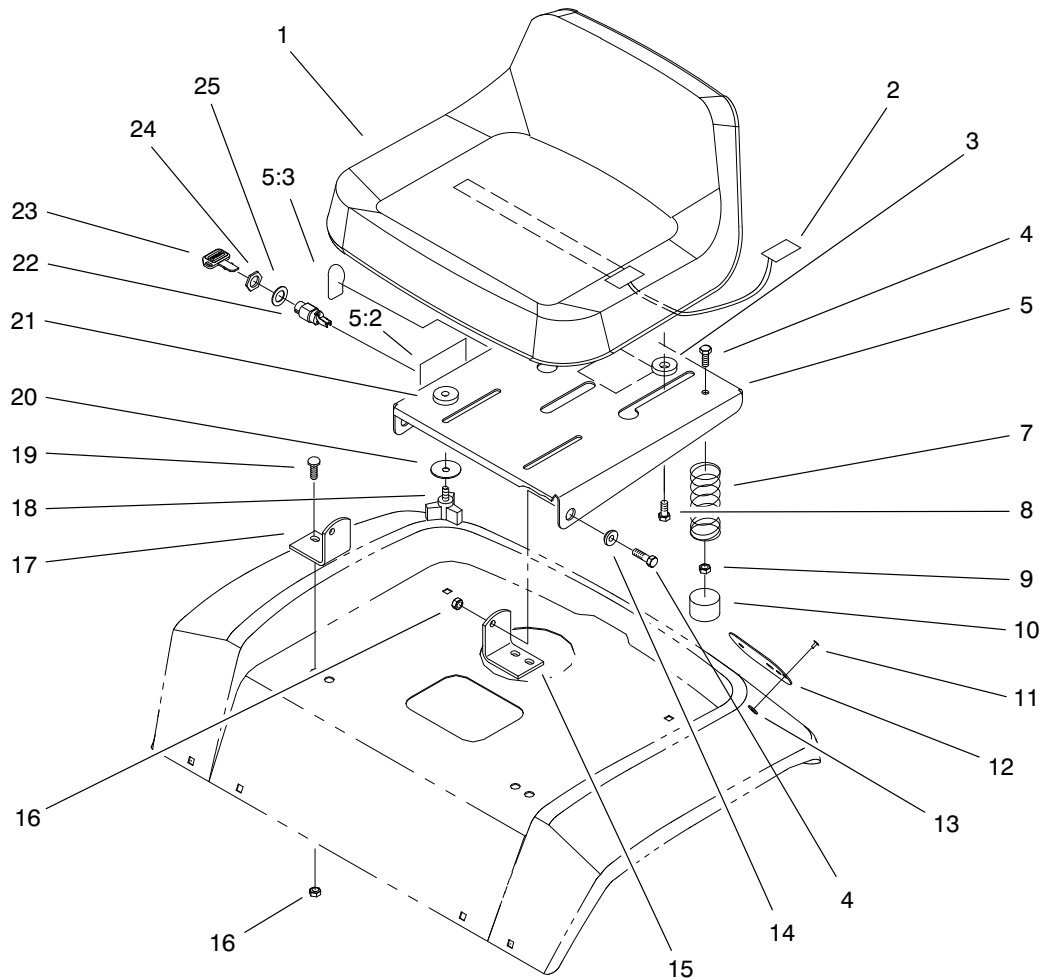


Sheet No.:17

Fender & Footrests Assembly

Ref. No.	Part No.	Qty.	Description
3	95-0802	1	Decal – Rear Fender
4	3230-31	6	Screw– Carriage
5	92-6727	1	Decal – Fuel Level
6	99-6765-03	1	Rear Panel ASM
7	3256-22	2	Washer–Flat
8	321-4	2	Screw–HH
9	609900	2	Nut–Speed
10	3256-23	2	Washer–Flat
11	3296-29	14	Nut–Lock Ni
12	94-2869	4	Washer
13	92-6746-01	1	LH Footrest (Hydro)
15	3230-1	4	Screw–CARR
16	106288	2	Clamp
17	3290-479	14	Fastener–Panel
18	92-6688	1	LH Foot Mat (Hydro)
19	92-6747-01	1	RH Footrest (Hydro)
20	107069	4	Clip
21	92-6687	1	RH Foot Mat (Hydro)
22	3230-23	3	Screw–CARR
23	92-6725	1	Decal – HOC (Only On: 72048)
23	92-7092	1	Decal – HOC Int'l (Only On: 72070)
24	93-0489-01	1	Plate– Footrest (Only On 72048)

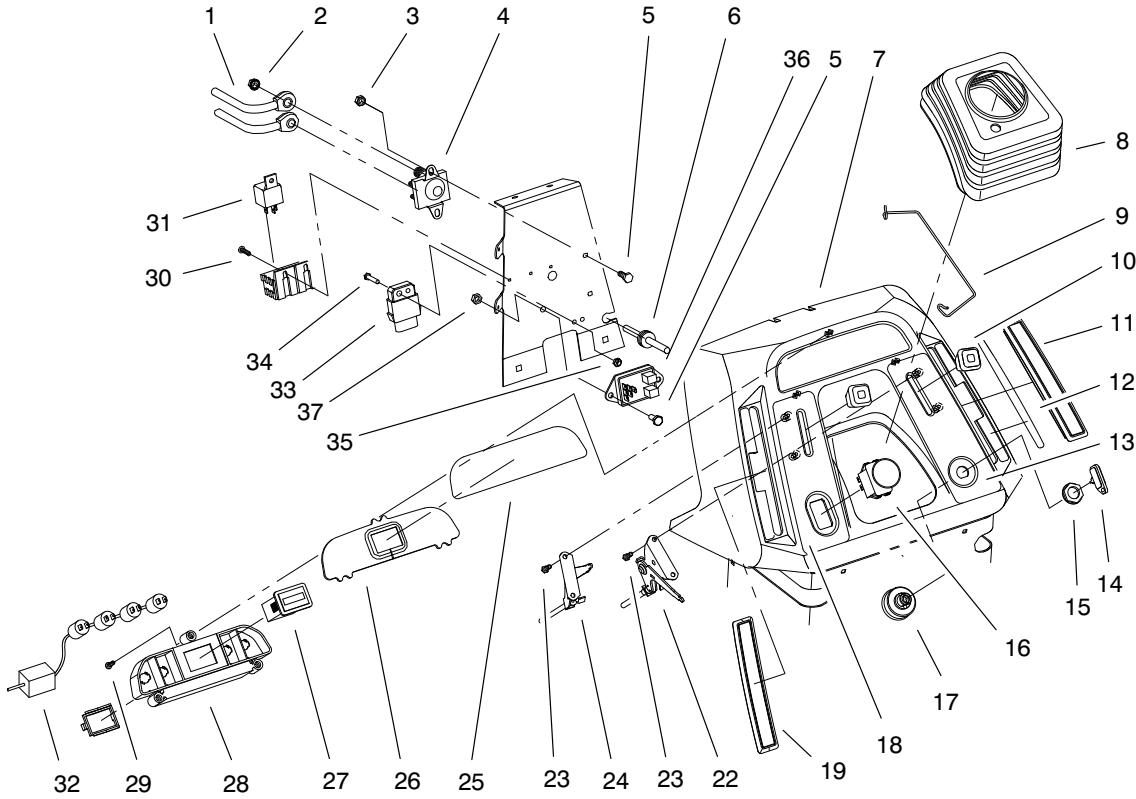
Ref. No.	Part No.	Qty.	Description
24	94-4243	1	Plate–Footrest (Only On 72070)
25	92-7020	4	Screw–HH
26	93-7314	1	Decal – Danger (Only On: 72070)
26	92-8946	1	Decal – Danger (Only On: 72048)
27	76-1340	1	Decal – USA (Only On: 72048)
28	92-6795-01	1	Fender
29	3230-23	1	Screw–CARR



Sheet No.:18

Seat Assembly

Ref. No.	Part No.	Qty.	Description	Ref. No.	Part No.	Qty.	Description
1	92-6511	1	Seat V-511 (Only On: 72070)	14	105503	2	Bushing
1	88-3950	1	Seat - Medium Back V411 (Only On: 72048)	15	79-0970-03	1	Brkt-Pivot L.h.
2	38-1420	1	Switch-Seat	16	3296-29	6	Nut-Lock Ni
3	92-6750	2	Spacer - Nylon	17	79-0950-03	1	Brkt-Pivot R.h.
4	322-5	4	Screw-HH	18	700806	2	Knob
5	99-8031	1	Support-Seat (Only On: 72048)	19	3230-2	4	Screw-CARR
5	99-8030	1	Support-Seat, He ASM (Only On: 72070)	20	94-2869	2	Washer
5:2	99-2986	1	Decal-Danger Intl (Only On: 72070)	21	109989	2	Spacer Nylon
5:2	99-2985	1	Decal-Danger (Only On: 72048)	22	46-5780	1	Switch-Starter
5:3	99-5340	1	Decal-Nmir Switch Intl (Only On: 72070)	23	62-7770	1	Key-Ignition
5:3	99-5339	1	Decal-Nmir Switch (Only On: 72048)	24	218-461	1	Nut-F/W
7	92-7054	2	Spring - Compression	25	3254-5	1	Washer-Lock/Int
8	92-6986	2	Bolt - Shoulder				
9	3296-58	2	Nut-Lock Ni				
10	701178	2	Cap-Protector				
11	3290-282	4	Rivet-Stl Pop				
12	106557	2	Reflector				
13	3256-49	4	Washer-Flat				

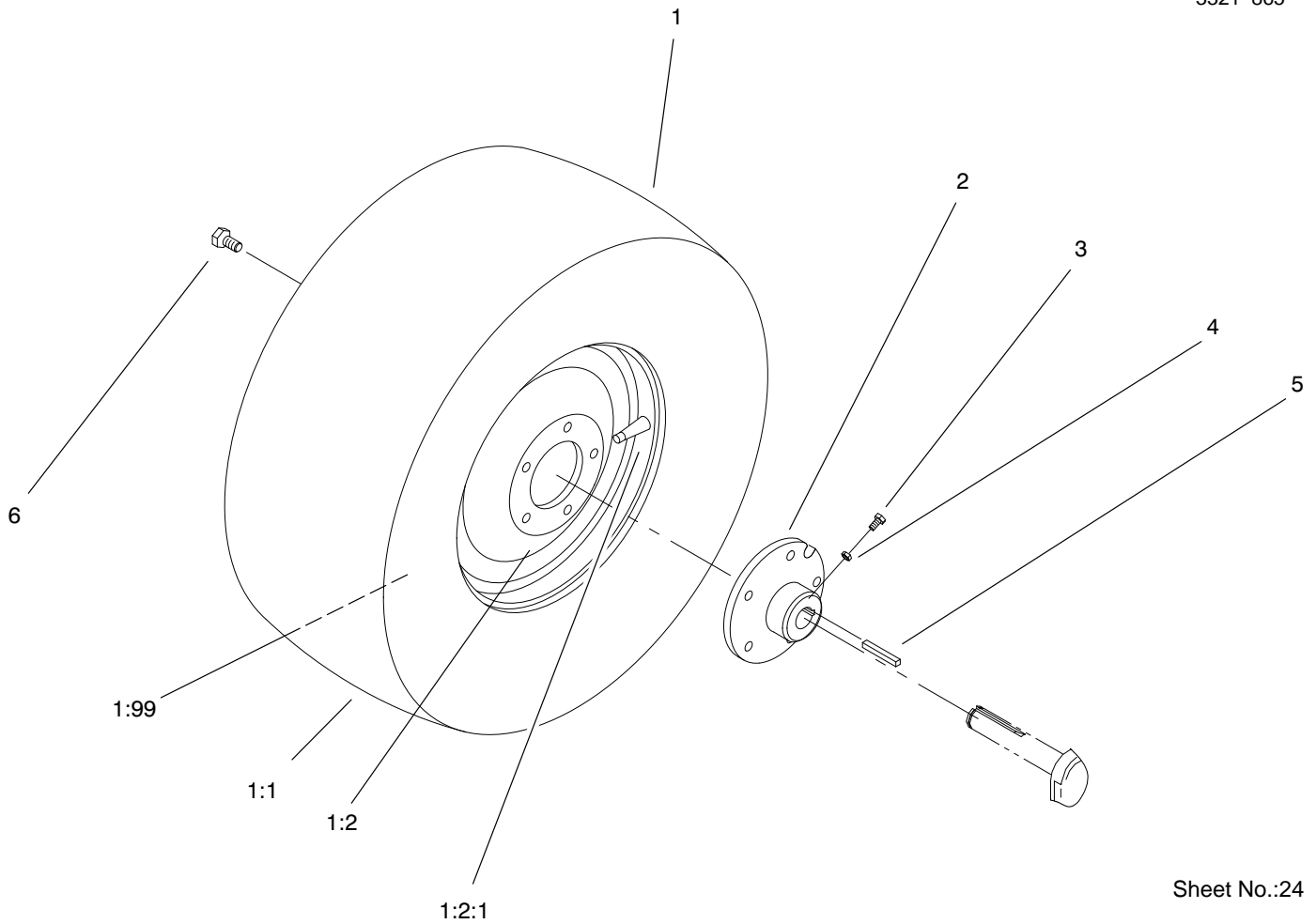


Sheet No.:19

Dash Assembly

Ref. No.	Part No.	Qty.	Description
1	92-6989	1	Wire - 21" Red
2	32149-2	2	Nut-Keps
3	3296-42	2	Nut-Lock Ni
4	92-9845	1	Solenoid
5	321-4	4	Screw-HH
6	237-141	1	Grommet-Rubber
7	94-1894	1	Dash
8	92-6680	1	Steering Boot
9	94-2966	1	Clip - Boot
10	66-0120	2	Knob
11	92-6796	1	Cover - Slot RH
13	92-6721	1	Decal - Throttle/Ign (Only On: 72048)
13	93-7255	1	Decal - Dash Throt/Ign (Only On: 72070)
14	62-7770	1	Key-Ignition
15	700919	1	Nut
16	93-9998	1	Switch - PTO Toro
17	92-6785	1	Switch - Ignition
18	93-7256	1	Decal - Dash PTO/Choke (Only On: 72070)
18	92-6720	1	Decal - PTO/Choke (Only On: 72048)
19	92-6797	1	Cover - Slot LH

Ref. No.	Part No.	Qty.	Description
22	92-6782	1	Control-Throttle Single
23	32144-32	4	Screw
24	92-6781	1	Control-Choke Single
25	99-8036	1	Decal - Dash Lens (Only On: 72048)
25	99-8038	1	Decal - Dash Lens (Only On: 72070)
26	92-6705	1	Lens - Dash Hm
27	94-4208	1	Hourmeter
28	92-6732	1	Hsg - Indicator Light
29	94-6961	3	Screw
30	32144-8	2	Screw-HH
31	98-7249	2	Relay-Spdt
32	99-8066	1	Harness-Lamp (Only On: 72070)
32	99-8068	1	Harness-4 Lamp (Only On: 72048)
33	99-1933	1	Module-Low Voltage (Only On: 72048)
34	32105-12	2	Screw (Only On: 72048)
35	3296-2	2	Nut-Lock Esna (Only On: 72048)
36	99-3701	1	Module-Nmir, Clutch
37	3296-42	2	Nut-Lock Ni

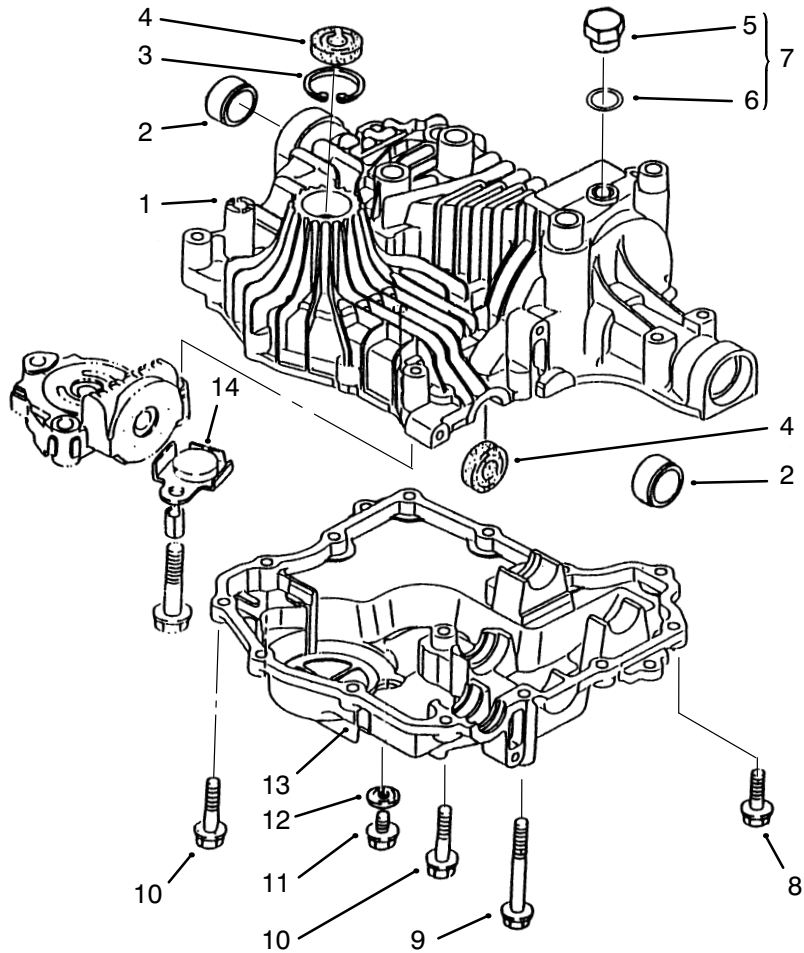


Sheet No.:24

Rear Wheel Assembly

Ref. No.	Part No.	Qty.	Description
1		2	Wheel&tire ASM,Rear
1:1	99-2334	1	Tire
1:2	78-1221	1	Wheel
1:2:1	5108	1	Valve-Tubeless Tire
1:99	7007	1	Tube-Inner
2	93-3659-03	2	Hub-Wheel
3	3243-5	4	Screw-Set
4	3218-3	4	Nut-Jam
5	5-1336	2	Key
6	83-2720	10	Lug-Bolt

Ref. No.	Part No.	Qty.	Description

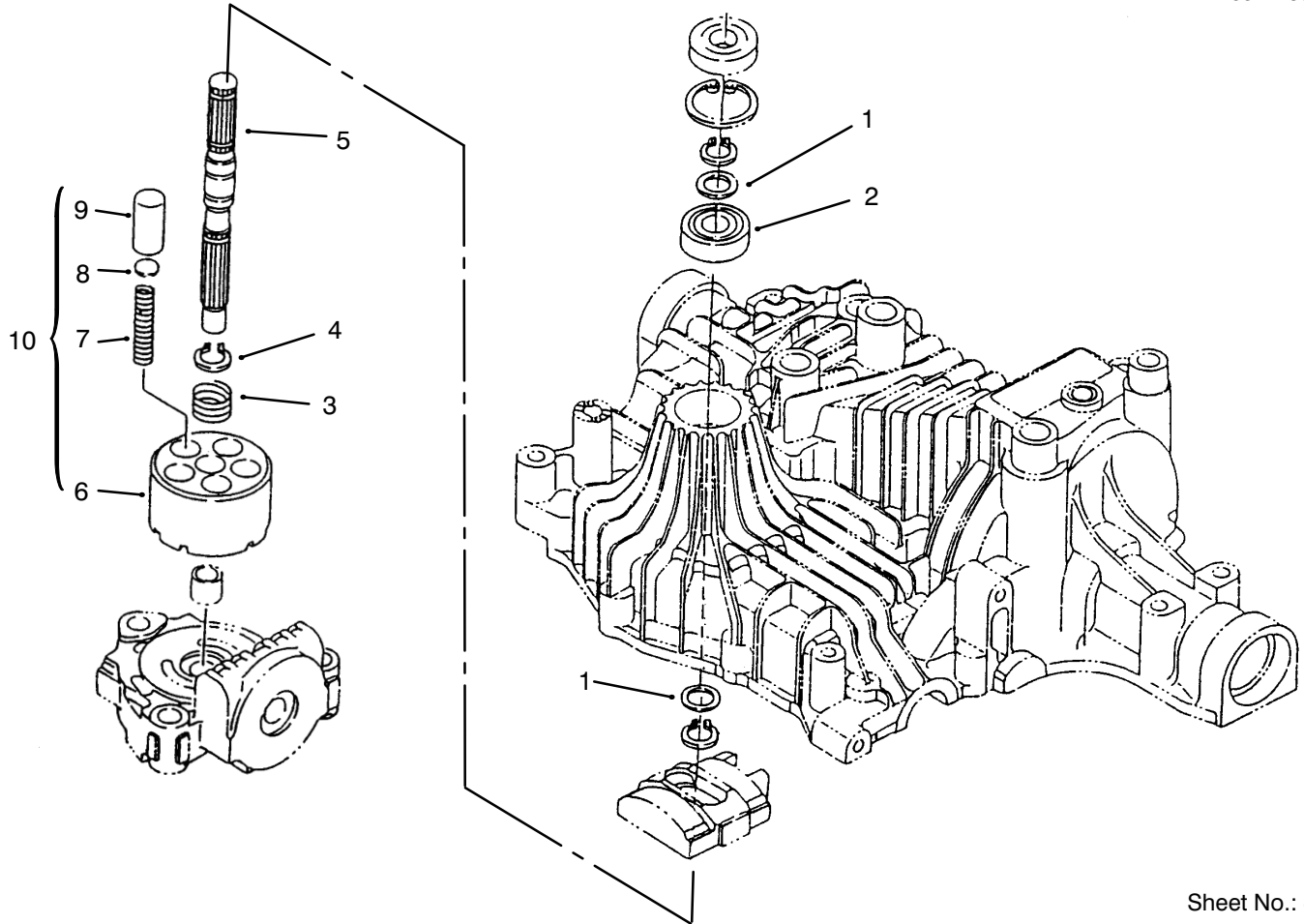


Sheet No.: 401
c-1860

Transaxle Case

Ref. No.	Part No.	Qty.	Description	Ref. No.	Part No.	Qty.	Description
1	94-4206	1	Upper Case ASM INC				
†2		2	Bushing				
†3	93-0360	1	Ring				
†4	93-0361	2	Seal				
†5		1	Plug				
†6		1	Packing				
7	93-0356	1	Plug/Packing INC 5-6				
8	93-0363	11	Screw-TAP				
9	93-0354	1	Bolt				
10	93-0364	2	Screw-TAP				
11	93-0362	1	Bolt				
12	93-0359	1	Washer-Seal				
13	94-4207	1	Case-Lower				
14	93-0355	1	Magnet				

† Included in a service kit or in an assembly



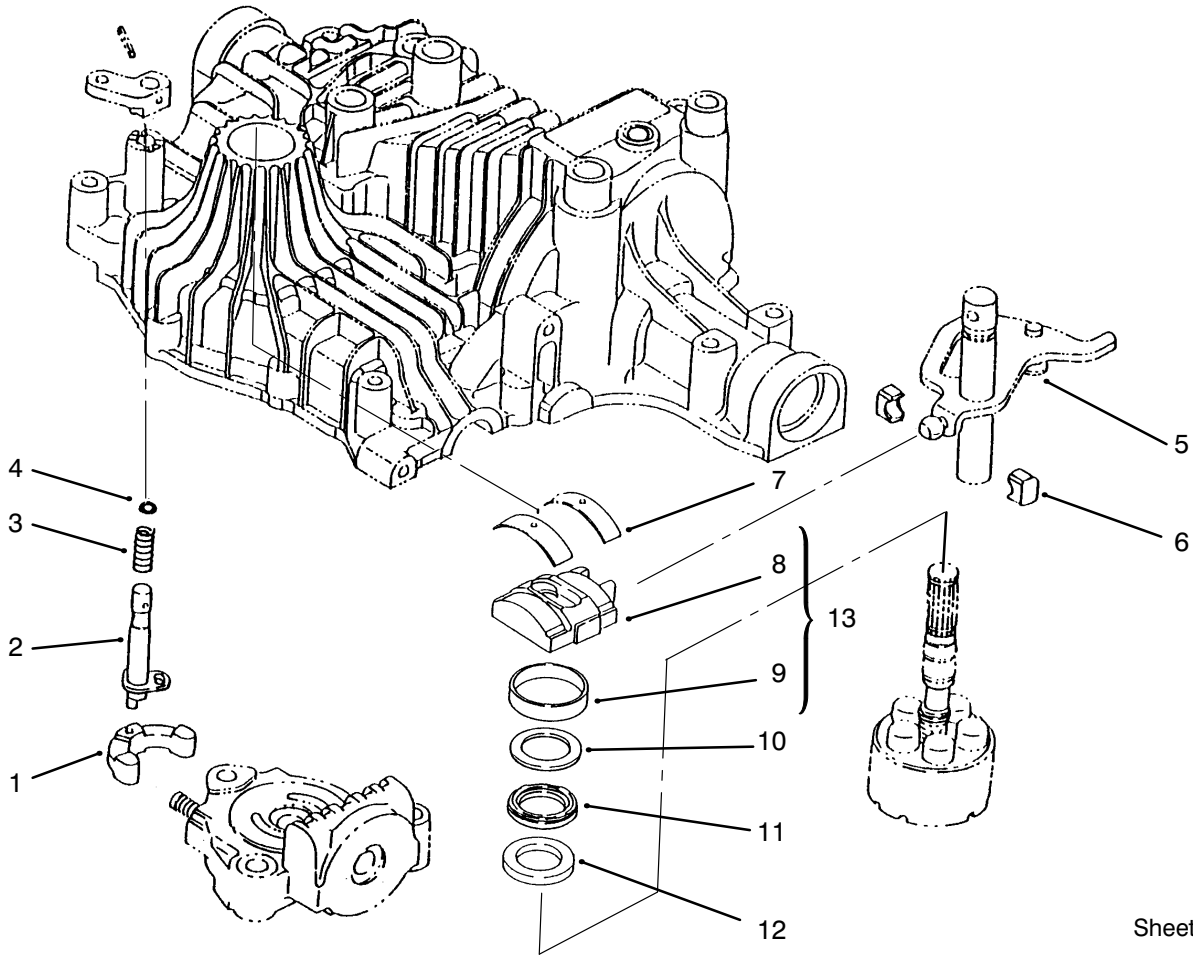
Sheet No.: 403
C-1861

Pump Shaft

Ref. No.	Part No.	Qty.	Description
1	93-0371	2	Washer
2	93-0374	1	Bearing-Ball
3	93-0370	1	Spring
4	93-0373	3	Ring-Snap
5	93-0372	1	Shaft-Pump
†6		1	Block-Cylinder
†7		5	Spring
†8		5	Washer
†9		5	Piston
10	93-0365	1	Cylinder ASM INC 6-9

Ref. No.	Part No.	Qty.	Description

† Included in a service kit or in an assembly



Sheet No.: 405

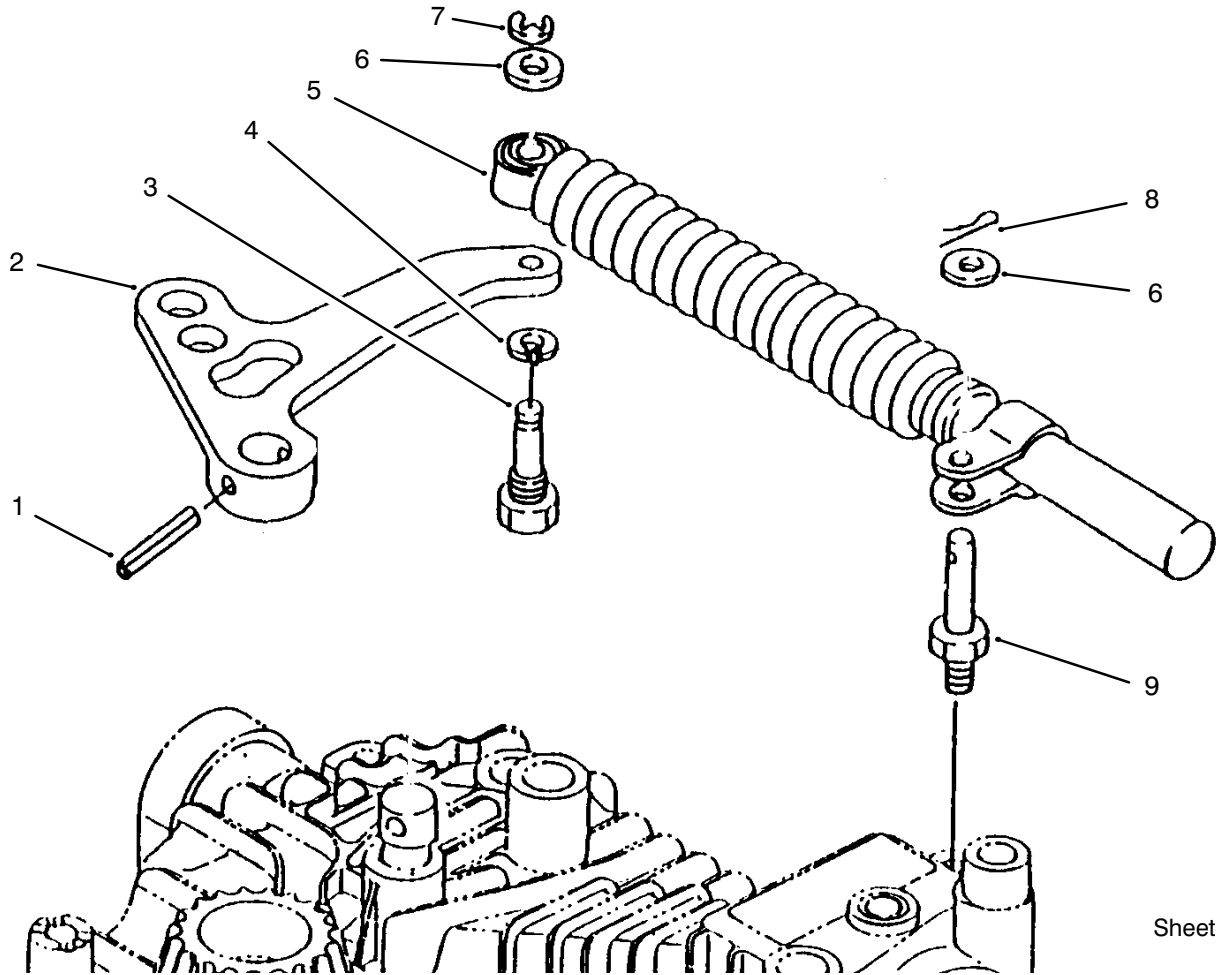
c-1863

Range Shift

Ref. No.	Part No.	Qty.	Description
1	93-0395	1	Arm
2	93-0397	1	Shaft-Bypass
3	93-0396	1	Spring
4	93-0400	1	Packing
5	93-0398	1	Block Set INC 6
†6		1	Block-Shift
7	93-0388	2	Thrust Metal
†8		1	Plate-Swash
†9		1	Bushing-Swashplate
10	93-0394	1	Plate-Thrust
11	93-0392	1	Bearing
12	93-0393	1	Plate-Thrust
13	93-0389	1	Swash Plate INC 8-9

Ref. No.	Part No.	Qty.	Description

† Included in a service kit or in an assembly

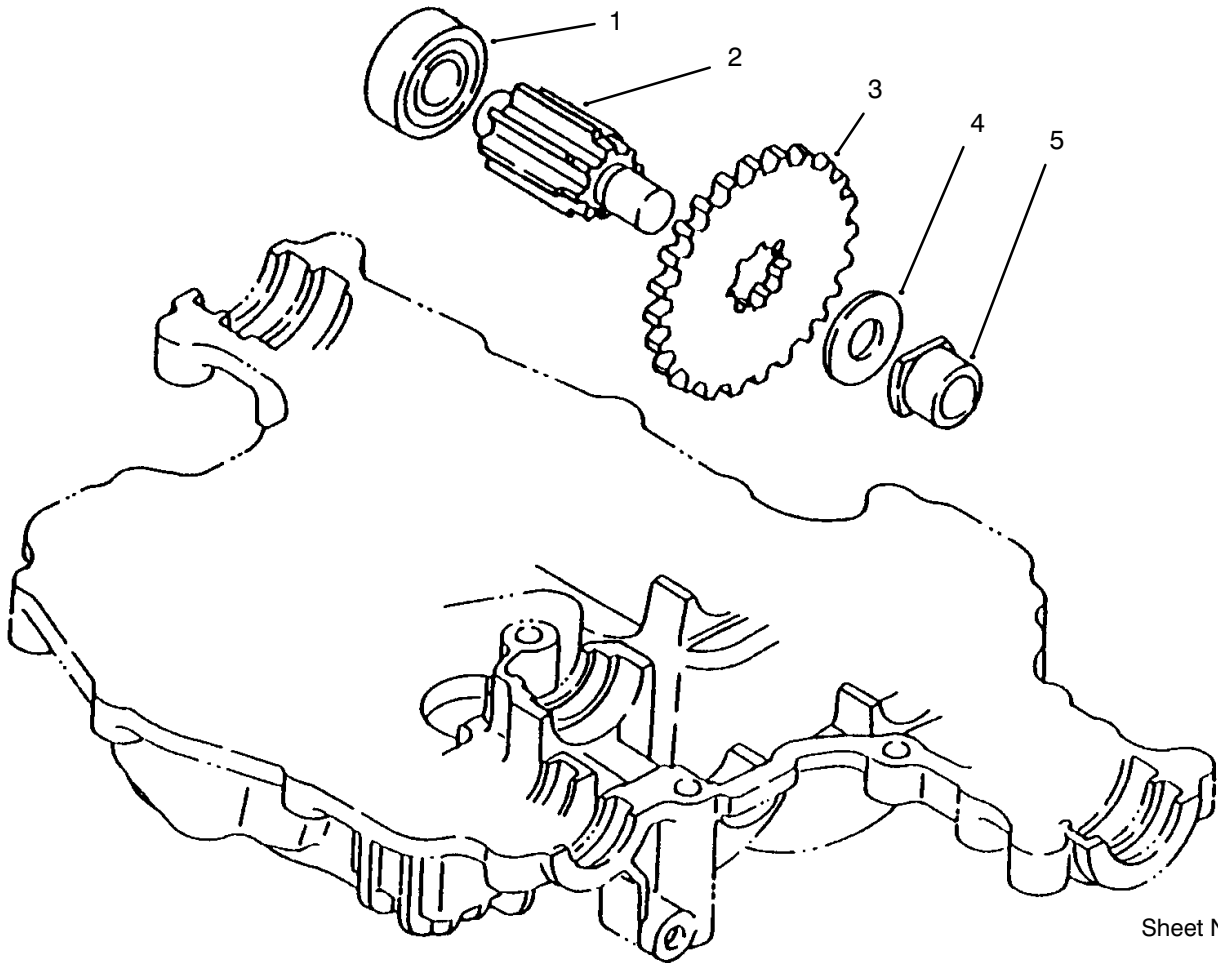


Sheet No.: 407
C-1865

Lever Damper

Ref. No.	Part No.	Qty.	Description
1	93-0411	1	Pin-Roll
2	93-0404	1	Arm
3	99-6763	1	Bolt
4	93-0409	1	Washer
5	99-6761	1	Shock Absorber
6	93-0408	2	Washer
7	93-0410	1	Ring
8	93-0412	1	Pin-Cotter
9	99-6762	1	Stud

Ref. No.	Part No.	Qty.	Description



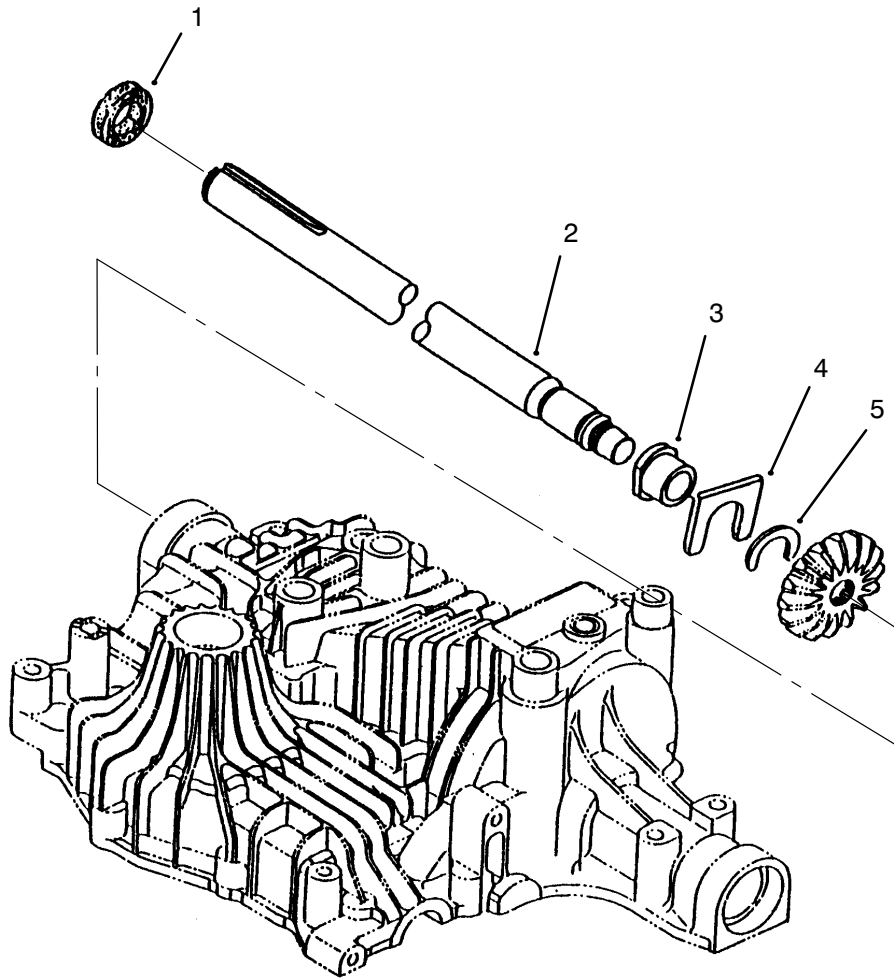
Sheet No.: 411

C-1869

Final Pinion

Ref. No.	Part No.	Qty.	Description
1	93-0446	1	Bearing
2	93-0447	1	Shaft-Final Pinion
3	93-0448	1	Gear-Final Shaft
4	93-0449	1	Washer
5	93-0450	1	Bushing

Ref. No.	Part No.	Qty.	Description



Sheet No.: 412

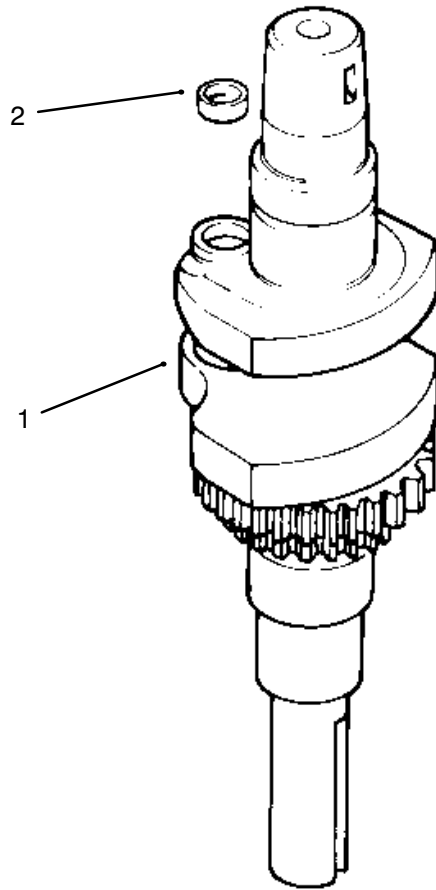
C-1870

Axle Shaft

Ref. No.	Part No.	Qty.	Description
1	93-0451	2	Seal
2	93-0452	1	Shaft-Axle Right
3	93-0454	2	Bushing
4	93-0455	2	Washer-Thrust
5	93-0456	2	Ring
*	93-0453	1	Shaft-Axle Left

Ref. No.	Part No.	Qty.	Description

* Not illustrated

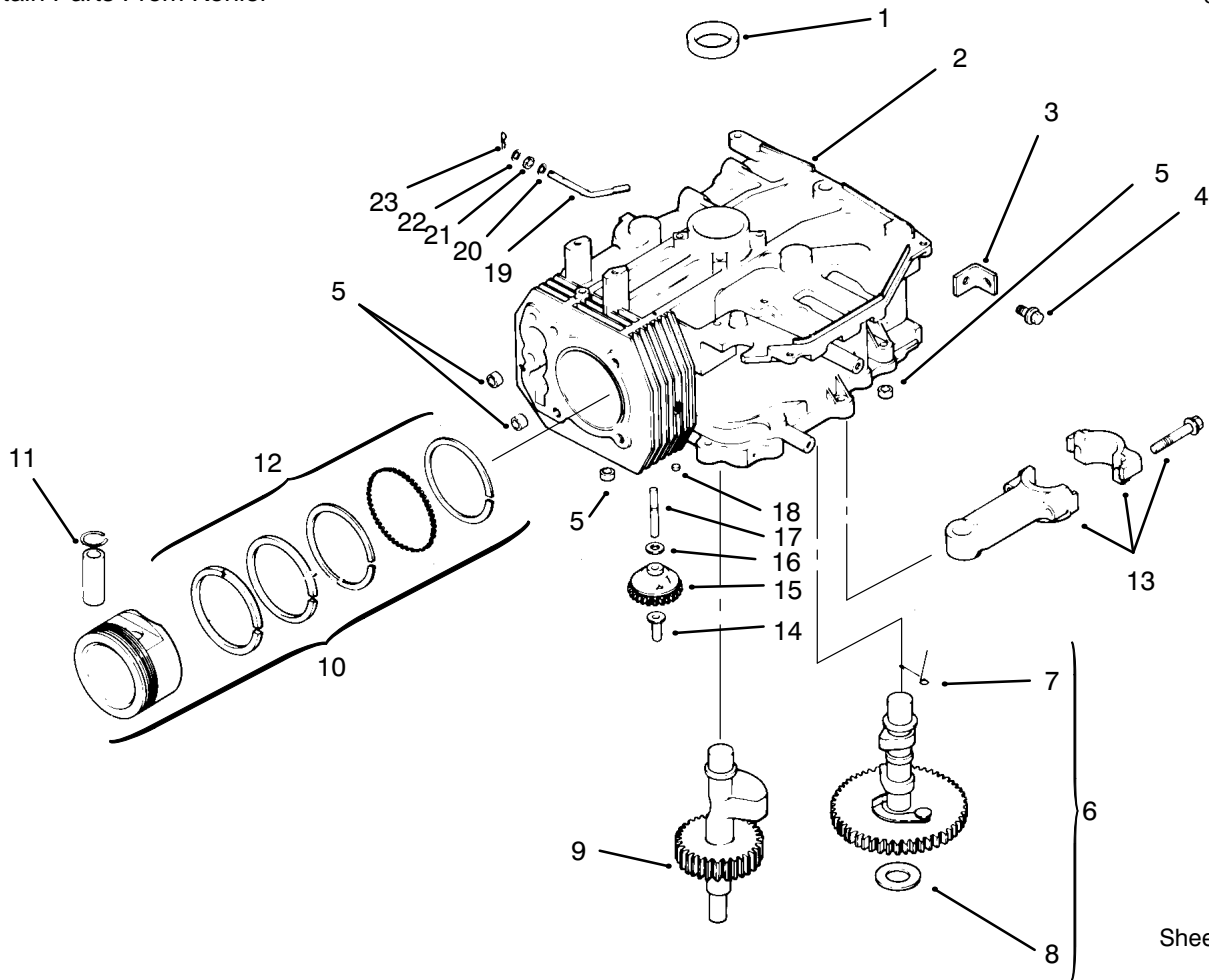


Sheet No.: 101
C-1948

Crankshaft

Ref. No.	Part No.	Qty.	Description
1	12 014 37	1	Crankshaft
2	12 139 01	1	Plug-Cup

Ref. No.	Part No.	Qty.	Description



Sheet No.: 102
 C-1949

Crankcase

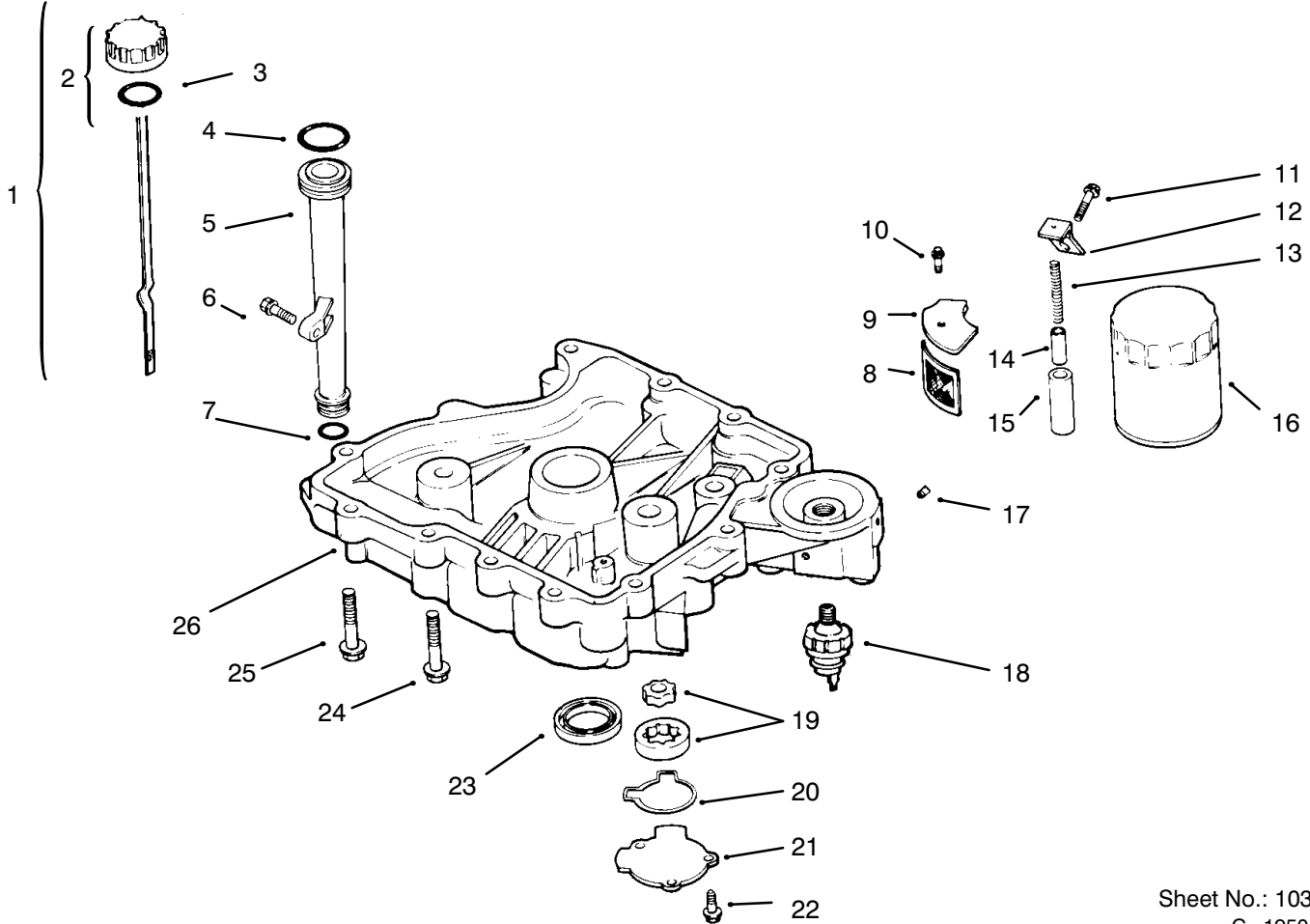
Ref. No.	Part No.	Qty.	Description
1	12 032 03	1	Seal-Crankshaft
2	12 522 18	1	Block-Short
3	12 445 02	1	Strap-Lifting
4	M-0839025	1	Screw M8x1.25x22
5	12 380 03	4	Dowel-Locating
6	12 755 49	1	Kit-Camshaft INC 7-8
†7	12 089 18	1	Spring-Actuating
†8	12 422 07	1	Shim-Camshaft A/R
†8	12 422 08	1	Shim-Camshaft A/R
†8	12 422 09	1	Shim-Camshaft A/R
†8	12 422 10	1	Shim-Camshaft A/R
†8	12 422 11	1	Shim-Camshaft A/R
†8	12 422 12	1	Shim-Camshaft A/R
†8	12 422 13	1	Shim-Camshaft A/R
9	12 144 27	1	Shaft-Balance
10	12 874 07	1	Piston ASM STD Incl 11-2
10	12 874 08	1	Piston ASM .25 Incl 11-2
10	12 874 09	1	Piston ASM .50 Incl 11-2
†11	12 018 02	2	Retainer-Piston Pin
12	12 018 07	1	Ring Set STD
12	12 018 08	1	Ring Set .25
12	12 018 09	1	Ring Set .50

Ref. No.	Part No.	Qty.	Description
13	12 067 05	1	Rod Connecting STD
13	12 067 06	1	Rod Connecting .25
14	12 380 01	1	Pin-Governor Regulating
15	12 043 05	1	Gear-Governor ASM
16	M-0631005	1	Washer-Governor
17	12 144 02	1	Shaft-Governor Gear
18	52 139 09	1	Plug-Cup
19	12 755 64	1	Shaft-Governor Cross
20	M-0631015	1	Washer-Governor Shaft
21	12 032 01	1	Seal-Governor Shaft
22	X-25-102	1	Washer-Flat
23	12 154 05	1	Pin-Governor Hitch
*	12 722 59	1	Gasket Set

† Included in a service kit or in an assembly

* Not illustrated

3321-865



Sheet No.: 103
C-1950

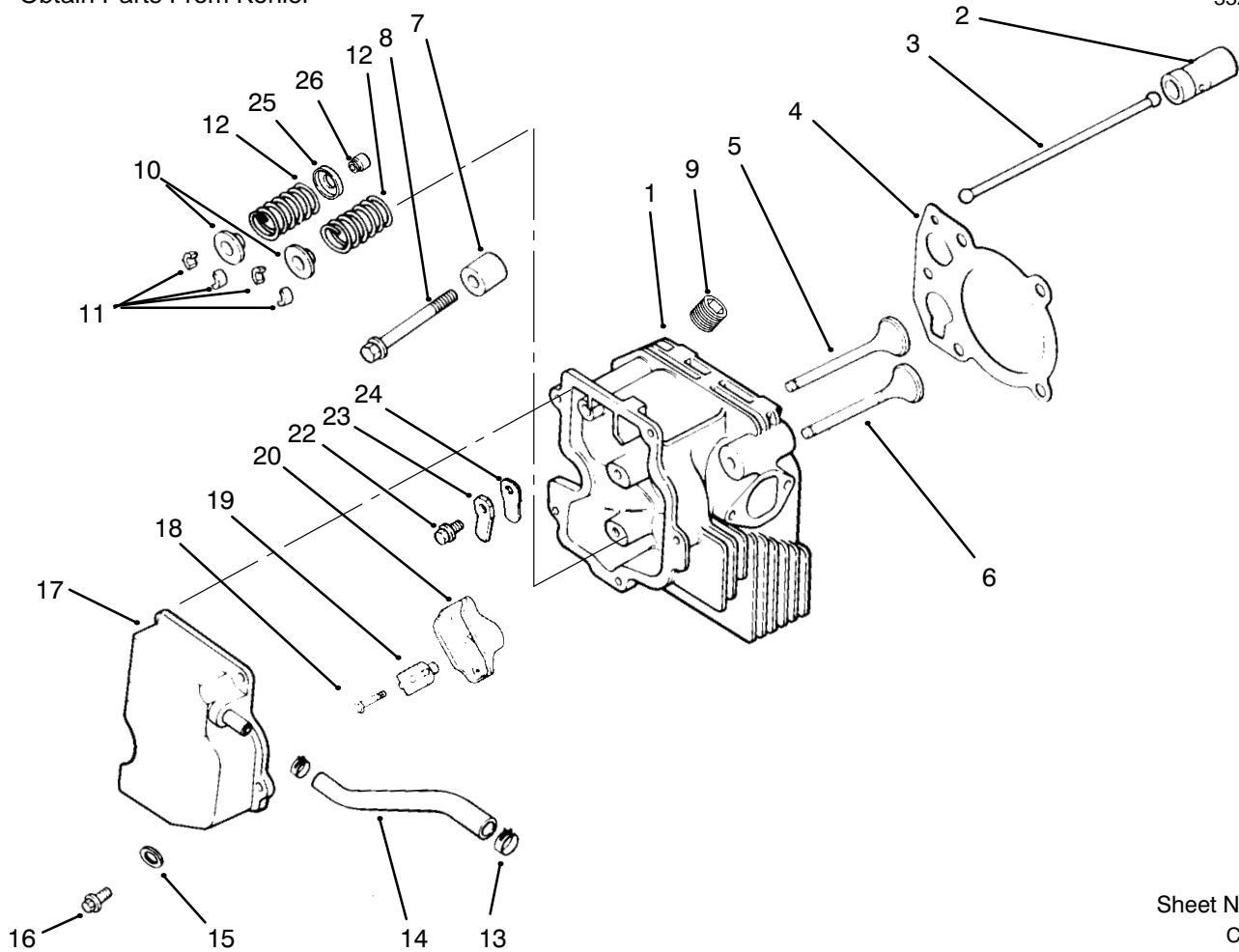
Oil Pan / Lubrication

Ref. No.	Part No.	Qty.	Description
1	12 038 01	1	Dipstick INC 2-3
†2	25 755 13	1	Kit-Oil Cap INC 3
†3	12 153 03	1	O Ring-Fill Cap
4	12 153 02	1	O Ring-Upper Fill Tube
5	12 123 04	1	Tube-Oil Fill
6	M-0545020	1	Screw M5x0.8x20
7	12 153 01	1	O Ring-Lower Fill Tube
8	12 162 07	1	Screen-Oil Pickup
9	12 096 03	1	Cover-Oil Pickup Screen
10	M-0545016	1	Screw M5x0.8x16
11	M-1039025	1	Screw M10x1.5x25
12	12 126 02	1	Bracket-Oil Pump Relief
13	12 089 03	1	Spring-Oil Relief Valve
14	12 462 01	1	Piston-Oil Relief Valve
15	12 208 01	1	Body-Oil Relief Valve
16	12 050 01	1	Filter-Oil
17	X-75-10	2	Plug-SH 3/8 NPTF
18	52 099 06	1	Switch-Oil Pressure
19	12 393 01	1	Pump-Oil
20	12 032 04	1	O Ring-Oil Pump Cover
21	12 096 02	1	Cover-Oil Pump

Ref. No.	Part No.	Qty.	Description
22	M-0545016	3	Screw M5x0.8x16
23	12 032 03	1	Seal-Crankshaft
24	24 086 16	11	Screw M8x1.25x45
25	24 086 17	11	Screw M8x1.25x45
26	12 199 21	1	Pan-Oil
*	52 518 21	1	Lead-Oil Switch w/Tabs

† Included in a service kit or in an assembly

* Not illustrated



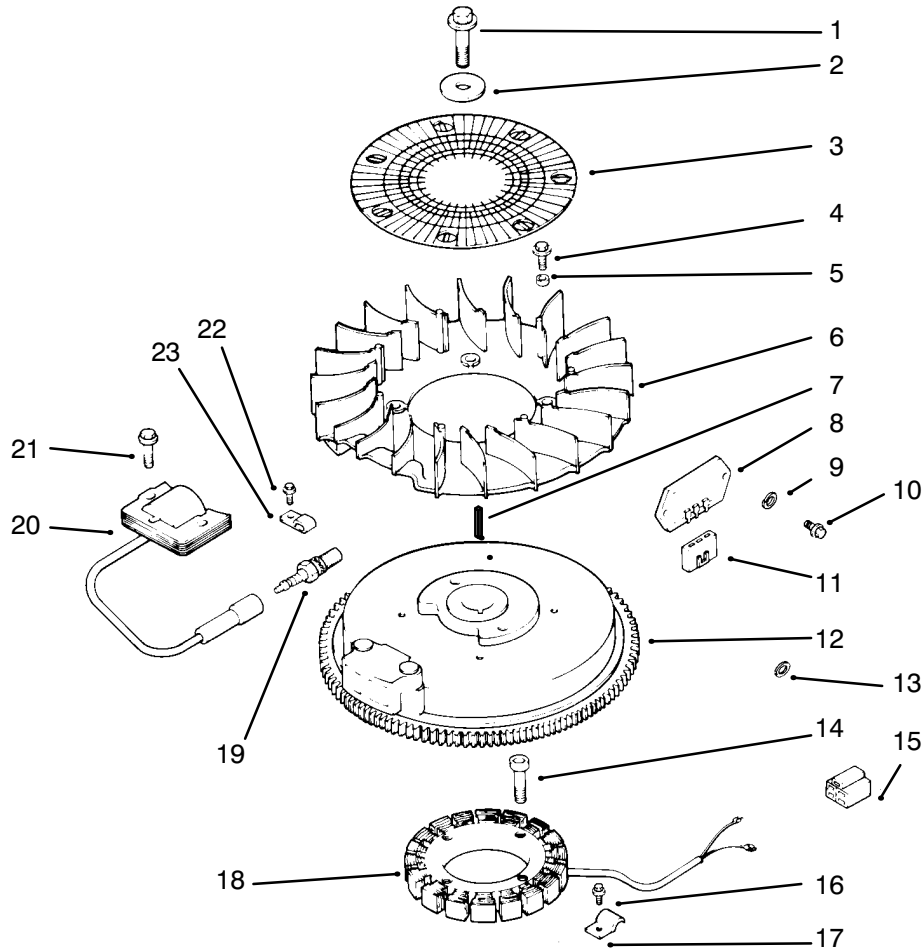
Sheet No.: 104
 C-1951

Cylinder Head / Valve / Breather

Ref. No.	Part No.	Qty.	Description
1	12 318 15	1	Cylinder Head
2	12 351 02	1	Lifter-Valve
3	12 411 01	2	Rod-Push
4	12 041 10	1	Gasket-Cylinder Head
5	12 017 01	1	Valve-Intake STD
5	12 017 02	1	Valve-Intake .25
6	12 016 01	1	Valve-Exhaust STD
6	12 016 02	1	Valve-Exhaust .25
7	12 112 13	1	Spacer-Head Bolt Exhaust
8	12 086 15	5	Screw M10x1.5x80
9	X-75-23	1	Plug
10	12 173 01	2	Cap-Valve Spring
11	12 755 03	2	Kit-Retainer
12	12 089 01	2	Spring-Valve
13	X-426-9	2	Clamp-Hose
14	12 326 03	1	Hose-Breather
15	12 468 05	1	Washer-Flat
16	M-0645020	5	Screw-HH M6x1.0x20
17	12 096 07	1	Cover-Valve w/Nipple
18	M-0640034	2	Screw M6x1.0x34
19	12 599 03	2	Pivot-Rocker Arm
20	25 186 01	2	Arm-Rocker
22	M-0545010	1	Screw M5x0.8x10
23	12 018 01	1	Retainer-Breather Reed

Ref. No.	Part No.	Qty.	Description
24	24 402 02	1	Reed-Breather
25	235011	2	Retainer-Spring
26	24 032 05	2	Seal-Valve Stem
*	12 755 63	1	Kit-Cylinder Head (Incl. 3-12,17-20 25 & 26)

* Not illustrated



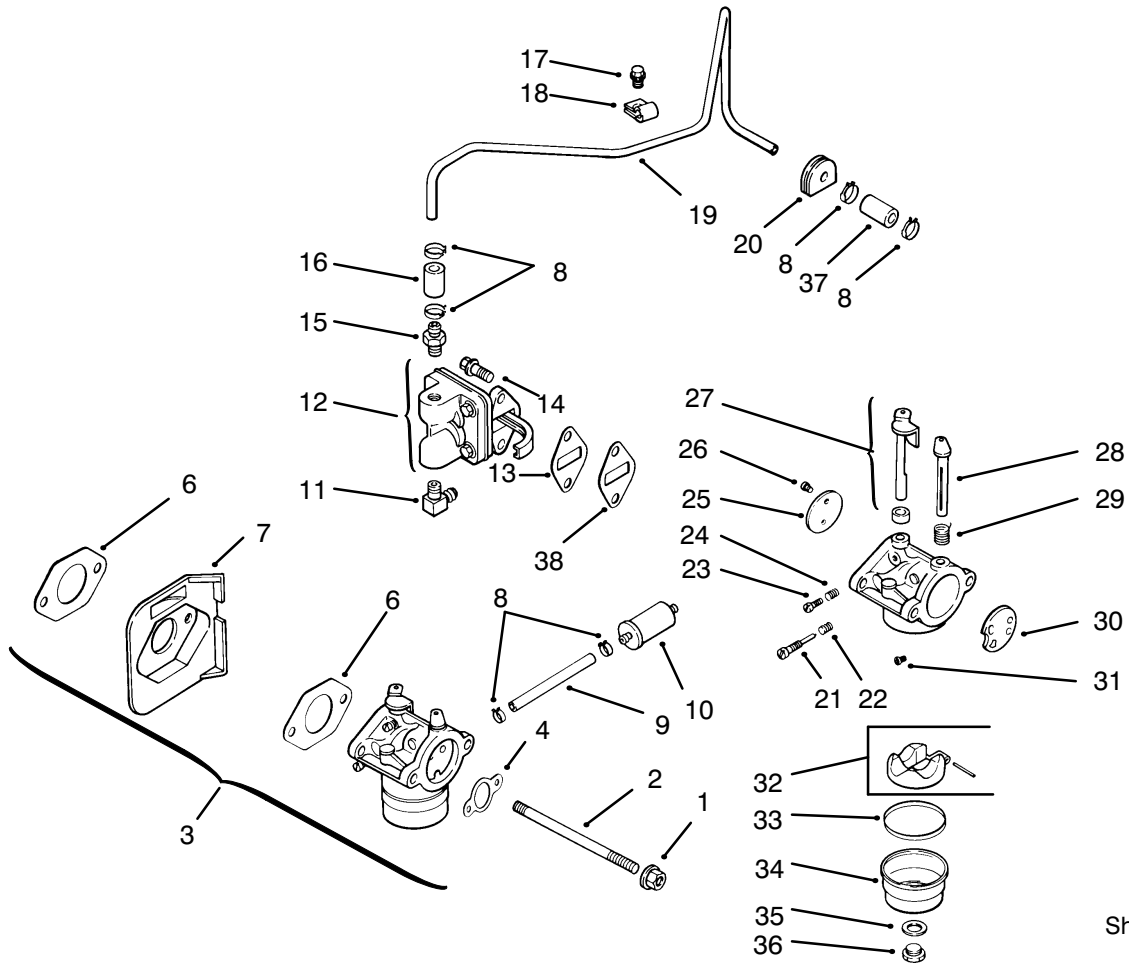
Sheet No.: 105
C-1952

Ignition / Electrical

Ref. No.	Part No.	Qty.	Description
1	12 086 14	1	Screw-Flywheel Mounting
2	12 468 03	1	Washer-Flywheel Screw
3	24 162 03	1	Screen-Grass
4	M-0639016	4	Screw M6x1.0x16
5	12 112 01	4	Spacer-Fan
6	12 157 02	1	Fan
7	X-42-15	1	Key
8	41 403 09	1	Rectifier-Regulator
9	X-22-11	1	Washer-Lock
10	M-0639016	2	Screw M6x1.0x16
11	236602	1	Connector-Regulator
12	12 025 15	1	Flywheel ASM
13	X-25-5	1	Washer-Flat
14	M-0548025	4	Screw M5x0.8x25
15	48 155 01	1	Connector-5 Contact
16	M-0545010	1	Screw M5x0.8x10
17	12 154 02	1	Clip-Stator Harness
18	24 085 01	1	Stator-15 Amp
19	12 132 02	1	Spark Plug
20	12 584 01	1	Module-Ignition
21	M-0545020	2	Screw M5x0.8x20
22	M-0545010	1	Screw M5x0.8x10
23	X-728-1	1	Clip-Kill Lead
*	12 518 01	1	Lead-White

Ref. No.	Part No.	Qty.	Description
*	25 518 05	1	Lead-Black
*	25 518 29	1	Lead-Black

* Not illustrated



Sheet No.: 108
C-

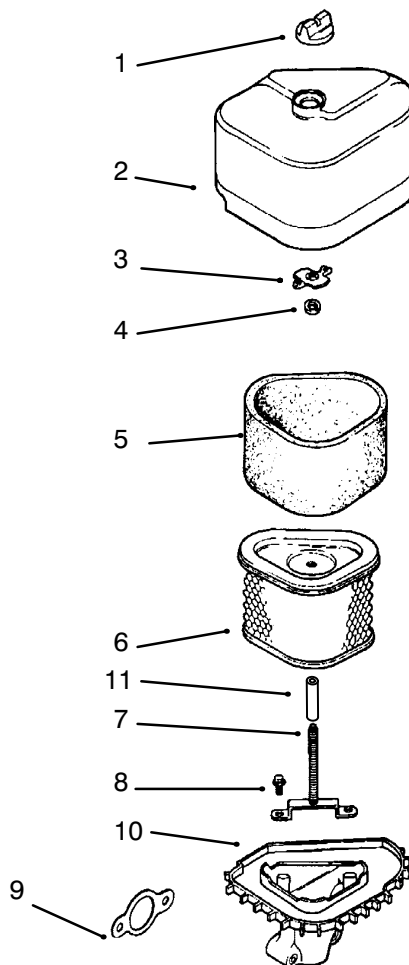
Fuel System

Ref. No.	Part No.	Qty.	Description
1	M-0641060	2	Nut M6x1.0
2	M-0629122	2	Stud M6x1.0x110
3	12 853 57	1	Kit-Carburetor w/Gasket Incl 4-6
†4	12 041 02	1	Gasket-Air Cleaner
†5	12 053 57	1	Carurator ASM Incl 21-36
†6	12 041 01	2	Gasket-Carburetor
7	12 265 04	1	Deflector-Heat
8	X-426-9	1	Clamp-Hose
9	12 353 10	1	Line-Fuel
10	25 050 02	1	Filter-Fuel
11	25 155 02	1	Connector-90°
12	12 559 01	1	Kit-Pump INC 13-14
†13	25 041 09	1	Gasket-Fuel Pump
†14	M-0645020	2	Screw-HH M6x1.0x20
15	X-380-1	1	Connector-Straight
16	12 353 01	1	Line-Fuel 1.25 Inch
17	M-0545010	1	Screw M5x0.8x10
18	12 154 01	1	Clamp-Fuel Line
19	12 123 19	1	Line-Fuel
20	12 313 01	1	Grommet
†21	12 368 05	1	Needle-Idle Fuel Adjust
†22	12 089 09	1	Spring-Idle Fuel

Ref. No.	Part No.	Qty.	Description
†23	12 086 04	1	Screw-Idle Speed Adjust
†24	12 089 09	1	Spring-Idle Fuel
†25	12 146 03	1	Plate-Throttle
†26	25 086 27	1	Screw-Throttle Plate
†27	12 144 09	1	Shaft-w/Lever & Seal
†28	12 144 08	1	Shaft-Choke
†29	12 089 10	1	Spring-Choke Return
†30	12 146 02	1	Plate-Choke
†31	12 337 03	1	Jet-Main
†32	12 757 02	1	Kit-Float
†33	12 041 05	1	Gasket-Bowl
†34	12 104 01	1	Bowl-Fuel
†35	12 041 06	1	Gasket-Bowl Screw
†36	12 086 05	1	Screw-Fuel Bowl
37	25 353 02	1	Line-Fuel 3"
38	12 112 05	1	Spacer-Fuel Pump
*	12 041 01	1	Gasket-Carburetor
*	12 757 03	1	Kit-Carburetor Repair

† Included in a service kit or in an assembly

* Not illustrated

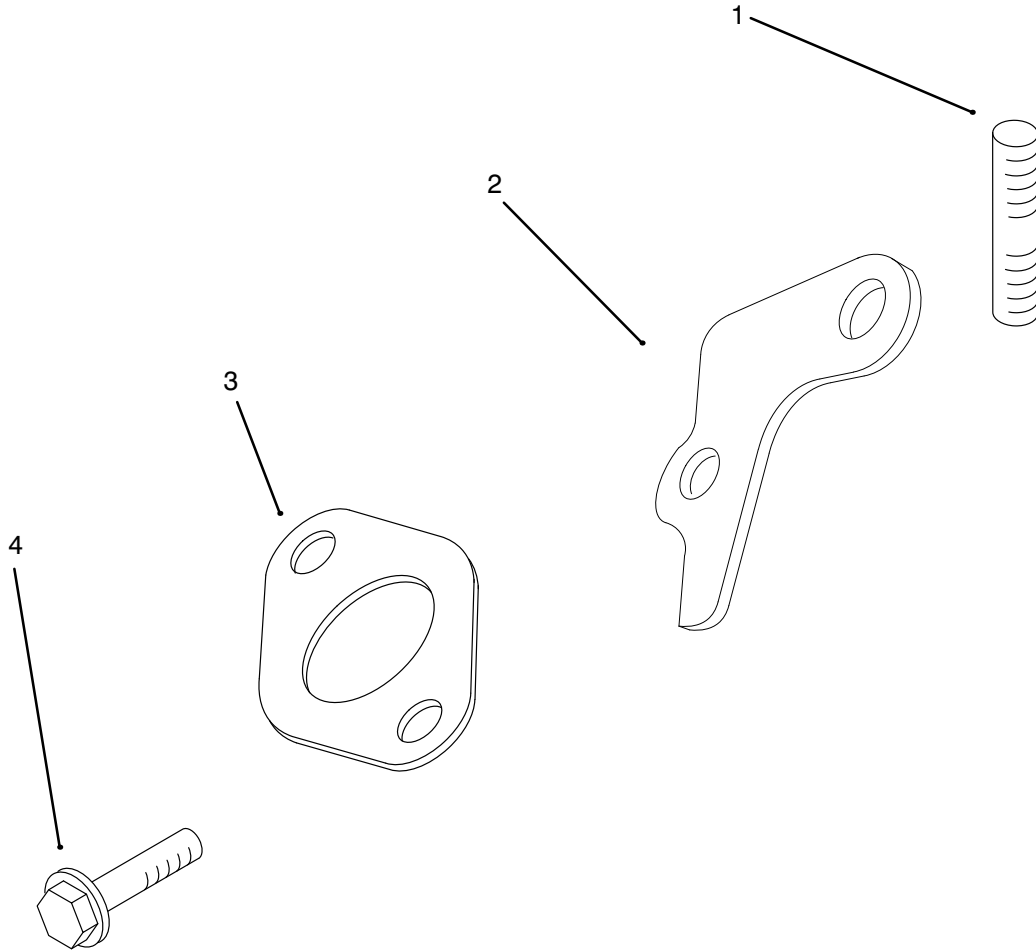


Sheet No.: 110

Air Intake / Filtration

Ref. No.	Part No.	Qty.	Description	Ref. No.	Part No.	Qty.	Description
1	25 341 03	1	Knob-Air Cleaner Cover				
2	12 096 45	1	Cover-Air Cleaner				
3	12 100 01	1	Nut-Wing				
4	X-25-63	1	Washer-Flat				
5	12 083 05	1	Element-Air Cleaner Incl 11				
6	12 083 08	1	Precleaner-Element				
7	12 072 05	1	Stud-Mounting Plate				
8	12 086 01	1	Screw-Mounting Plate				
9	12 041 02	1	Gasket-Air Cleaner				
10	12 094 05	1	Base-Air Cleaner Incl 7				
11	12 032 10	1	Seal				
*	12 113 04	1	Decal-Air Cleaner				
*	12 743 04	1	Kit-Air Cleaner Incl 1-11				

* Not illustrated



Sheet No.: 111

Exhaust

Ref. No.	Part No.	Qty.	Description
1	M-0829033	2	Stud M8x1.25x20
2	12 455 06	1	Strap-Lifting
3	12 041 03	1	Gasket-Exhaust Manifold
4	M-0645025	1	Screw-Valve Cover

Ref. No.	Part No.	Qty.	Description

Toro Part Number Index

Part No.	Page No.	Ref. No.	Qty.	Description
1278	3	17	4	Washer
1278	6	11	2	Washer
2534	2	1	2	Clip – Spring
3624	9	13	1	Spring–Compression
5108	3	3:2:1	1	Valve–Tubeless Tire
5108	18	1:2:1	1	Valve–Tubeless Tire
5210	3	18	4	Shim Washer
5618	3	19	1	E–Ring
7007	18	1:99	1	Tube–Inner
8130	9	14	1	Retainer–Spring
8830	12	16	1	Clip
8870	9	25	1	Rod–Trunnion Lift
104047	5	3:2	1	Bushing
104048	5	3:1	1	Valve–Fuel
105293	3	3:99	1	Tube
105503	1	16	2	Bushing
105503	16	14	2	Bushing
105842	4	12	1	Battery (Dry)
106269	9	43	1	Bearing–Flange
106288	15	16	2	Clamp
106557	16	12	2	Reflector
106948	4	6	1	Tray–Battery
107069	15	20	4	Clip
108881	6	5	1	Nut–Differential
109189	6	7	1	Bearing–Flanged
109500	3	3:2:3	1	Zerk–Grease
109547	4	8	2	Hook
109989	16	21	2	Spacer Nylon
110391	6	6	1	Bearing Wheel
110513	3	3:2:2	2	Bearing Wheel
111078	4	5	1	Wire – 10” Black
111383	6	8	1	Collar
111418	2	11	1	Bushing
111418	6	3	1	Bushing
111419	2	5	1	Bearing–Washer
111419	6	1	1	Bearing–Washer
111646	6	9	1	Grip Ring
112843	14	8	1	Washer
114720	4	9	1	Tube–21” Battery Drain
115593	9	8	1	Knob
117316	4	2	1	Rod–Battery Hold Dwn
147665	10	17	2	Screw–HH
519337	1	27	1	Clip–Cable
609900	15	9	2	Nut–Speed
614249	1	30	1	Strap–Tie Sm
614249	8	17	1	Strap–Tie Sm
614249	8	27	1	Strap–Tie Sm
614249	12	11	1	Strap–Tie Sm
700806	16	18	2	Knob
700919	17	15	1	Nut
701178	16	10	2	Cap–Protector
702366	14	2	1	Clip–Wire Retainer
933141	9	7	1	Pin–Spirol
933148	9	12	1	Spirol–Pin
933270	3	5	2	Pin
936118	13	12	2	Snap Ring
9114466	14	9	1	Screw–HH
9150026	3	8	4	Nut–Eslok
9150854	3	7:1	1	Jam Nut
9150854	3	9:1	1	Jam Nut
9202154	11	19	2	Washer
9202324	3	16	2	Washer

*Not Illustrated

Toro Part Number Index (cont.)

Part No.	Page No.	Ref. No.	Qty.	Description
9267154	3	10	1	Screw
5-1336	18	5	2	Key
24-7924	8	19	2	Drive Shaft Cover
28-2480	3	20	2	Washer
28-8080	4	15	1	Boot-Terminal
38-1420	16	2	1	Switch-Seat
38-2340	11	30	1	Comp Spring
46-5780	16	22	1	Switch-Starter
46-8093	1	31	2	Screw-Plastite
46-8093	8	22	2	Screw-Plastite
49-2040	13	15	3	Screw-Taptite
61-9780	3	1	2	Cap-Hub
62-7770	16	23	1	Key-Ignition
62-7770	17	14	1	Key-Ignition
65-2920	10	16	1	Pad-Pedal
66-0120	17	10	2	Knob
76-1340	15	27	1	Decal - USA (Only On: 72048)
78-1221	18	1:2	1	Wheel
78-1940-01	3	12	1	Arm-Front Spindle
78-1950-01	3	6	1	Arm-Front Spindle
78-2140	9	41	1	Trunnion
78-2431	9	29	1	Rod
78-2491-03	12	15	1	Wldmt-PTO Stop
78-2601-01	3	13	2	Wldmt-Spindle
78-2610	6	2	1	Gear-Sector Plated
78-2920	3	7:2	1	Ball-Joint
78-2920	3	9:2	1	Ball-Joint
78-5801	3	7:3	1	Ass'y-Ball Link
78-5811	3	9:3	1	Ass'y-Ball Link L
78-6820-03	4	7	1	Plate-Battery
78-7360	9	33	1	Wldmt-Rod
78-7390	9	28	1	Tube
78-7960-01	3	4	1	Axle-Front
78-9150-03	6	4	1	Plate
78-9740	9	9	1	Decal-Height Knob
79-0950-03	16	17	1	Brkt-Pivot R.h.
79-0970-03	16	15	1	Brkt-Pivot L.h.
79-1250	9	27	2	Pin
79-3401-03	9	24	1	Shaft-Gage
79-3500	5	10	1	Ass'y-Reservoir
79-7530	2	9	1	Spring - Clutch
83-2720	18	6	10	Lug-Bolt
83-6620	8	13	1	Decal - Instruction
88-3950	16	1	1	Seat - Medium Back V411 (Only On: 72048)
88-3970	1	28	1	Reflector & Lamp ASM
88-3980	5	2	1	Gas Cap Assembly
88-4320	1	29	1	Wire Harness-Lights
88-4590	2	4	1	Bolt-Shoulder
88-9932	10	18	1	Switch-Micro
92-6511	16	1	1	Seat V-511 (Only On: 72070)
92-6650	1	8	1	RH Hood Side (Toro)
92-6652	1	7	1	LH Hood Side (Toro)
92-6656	1	23	1	Lens - Headlight
92-6674-03	12	7	1	Support - Fender
92-6680	17	8	1	Steering Boot
92-6686	13	10	1	Pulley-Hydro Trans
92-6687	15	21	1	RH Foot Mat (Hydro)
92-6688	15	18	1	LH Foot Mat (Hydro)
92-6694-03	8	14	1	Hoodstand Wa (Black)
92-6702	6	10	1	Lower Strg Shaft Wa
92-6705	17	26	1	Lens - Dash Hm
92-6710	9	11	1	Grip-Handle

*Not Illustrated

Toro Part Number Index (cont.)

Part No.	Page No.	Ref. No.	Qty.	Description
92-6711	9	10	1	Tip-Rod
92-6716	14	20	1	Gasket-Exh.single F/W
92-6717	7	18	1	U Joint - Steering
92-6720	17	18	1	Decal - PTO/Choke (Only On: 72048)
92-6721	17	13	1	Decal - Throttle/Ign (Only On: 72048)
92-6725	15	23	1	Decal - HOC (Only On: 72048)
92-6726	13	3	1	Decal - Hydro Valve (Only On: 72048)
92-6727	15	5	1	Decal - Fuel Level
92-6732	17	28	1	Hsg - Indicator Light
92-6737	5	8	1	Hose - Hydro
92-6742	13	14	1	Fan - Hydro
92-6746-01	15	13	1	LH Footrest (Hydro)
92-6747-01	15	19	1	RH Footrest (Hydro)
92-6750	16	3	2	Spacer - Nylon
92-6754	5	5	1	Hose - Fuel Line Single
92-6769	13	2	2	U-Bolt
92-6776	7	13	1	Bracket - Detent
92-6777-03	7	1	1	Brkt - Supt Column
92-6778-03	8	9	1	Brkt - Lower Column
92-6780	14	18	2	Nut-Hex Flange
92-6781	17	24	1	Control-Choke Single
92-6782	17	22	1	Control-Throttle Single
92-6785	17	17	1	Switch - Ignition
92-6794	9	4	1	Wedge - HOC
92-6795-01	15	28	1	Fender
92-6796	17	11	1	Cover - Slot RH
92-6797	17	19	1	Cover - Slot LH
92-6798	7	11	1	Cap - Rod Tilt
92-6855-03	9	32	1	Arm-Pivot
92-6859-03	8	6	1	Support - Dash
92-6860	8	8	4	Nut Retainer - J Type
92-6867-01	14	17	1	Shield-Muffler
92-6868-03	12	4	1	Brkt-Idler Plate
92-6877	14	5	1	Valve - Oil Drain
92-6878-03	14	21	1	Shield-Mufflr Single
92-6883	3	7	1	Steering Linkage, RH
92-6884	3	9	1	Steering Linkage, LH
92-6885	14	7	1	Clutch - Elec PTO (Only On: 72070)
92-6888	14	6	1	Pulley-Engine (Hydro)
92-6900	2	7	1	Arm - Idler Hydro
92-6902	11	18	1	Pedal Pad
92-6903	11	1	1	Pedal Pad
92-6913-03	11	2	1	Pedal-Hydro Wa
92-6914-03	1	32	1	Baffle-Hood Upper
92-6917-03	1	10	1	Bracket-RH Hinge
92-6918-03	1	9	1	Bracket-LH Hinge
92-6936-03	8	15	1	Cover-LH Side Wa
92-6937-03	8	2	1	Cover-RH Side Wa
92-6943	13	13	1	Spacer - Fan
92-6954	13	9	1	Belt - V Hydro
92-6960	8	24	2	Latch - Hood
92-6962	11	7	1	Bushing
92-6964-03	12	6	1	Bracket-HOC Gage
92-6965	9	6	1	Rod - HOC
92-6966	11	17	1	Spacer
92-6968	10	5	1	Trunnion - Brake
92-6971	7	5	1	Lever - Tilt Plated
92-6977-03	9	17	1	Rod-Lift Lever
92-6978	9	38	1	Rod - HOC Indicator
92-6979	9	42	1	Plate - HOC Gage
92-6982	10	14	1	Spacer - Brake
92-6986	16	8	2	Bolt - Shoulder

*Not Illustrated

Toro Part Number Index (cont.)

Part No.	Page No.	Ref. No.	Qty.	Description
92-6987	1	24	1	Horsehead Emblem
92-6988	10	8	1	Rod - Brake
92-6989	17	1	1	Wire - 21" Red
92-6990	4	1	1	Wire - 10" Red
92-6992-03	12	12	1	Steering Brkt Wa
92-6996-03	1	18	1	Hinge - RH Hood
92-6997-03	1	17	1	Hinge - LH Hood
92-6998	7	22	1	Spacer - Yoke, Right
92-6998	11	33	1	Spacer - Yoke, Right
92-6999	7	15	1	Spacer - Yoke
92-7000-03	10	4	1	Brkt-Parking Brake
92-7004-03	10	22	1	Support - P. Brake
92-7006	1	4	4	Nut - J Type
92-7006	8	21	4	Nut - J Type
92-7007	9	39	1	Spring - Extension
92-7008	11	15	3	Rod End - Female
92-7009	10	2	1	Grip - Parking Brake
92-7018	11	4	1	Rod - Hydro
92-7020	8	1	9	Screw-HH
92-7020	15	25	4	Screw-HH
92-7048-03	1	21	1	Brkt-Hood Hinge LH
92-7049-03	1	20	1	Brkt-Hood Hinge RH
92-7054	16	7	2	Spring - Compression
92-7057-03	3	11	1	Pin - Axle Wa
92-7077	1	3	1	Seal-Air Inlet Single
92-7090	13	3	1	Decal - Bypass Valve (Only On: 72070)
92-7092	15	23	1	Decal - HOC Int'l (Only On: 72070)
92-7101	2	8	1	Pulley - Flat Idler
92-7102	2	13	2	Pulley - Idler
92-7148	1	6	2	Foam - Sidepanel
92-8747	12	14	2	Decal Attach-A-Matic
92-8946	15	26	1	Decal - Danger (Only On: 72048)
92-9845	17	4	1	Solenoid
93-0302	8	12	1	Decal - Danger (Only On: 72048)
93-0489-01	15	24	1	Plate-Footrest (Only On 72048)
93-0490	1	2	1	Hood - Service ASM
93-0494	1	22	1	Screen/Grill ASM
93-0520-03	10	21	1	Brkt - Brake Switch
93-0523-03	9	44	1	Brkt-Pivot Linkage
93-0540	10	9	1	Spring - Extension
93-0546-03	13	8	1	Strap-Trq Hy
93-1131	8	23	1	Trim-Seal Firewall
93-1144	5	6	2	Spacer - Fuel Tank
93-1146	7	3	1	Bushing - Upper Strg
93-1148-03	7	12	1	Column - Wa
93-1357	7	14	1	Spring - Ext., Steering
93-3167	10	1	1	Rod - Parking Brake
93-3240	10	20	1	Plunger-Seal
93-3658	2	12	2	Spacer
93-3659-03	18	2	2	Hub-Wheel
93-7255	17	13	1	Decal - Dash Throt/Ign (Only On: 72070)
93-7256	17	18	1	Decal - Dash PTO/Choke (Only On: 72070)
93-7313	8	12	1	Decal-Slope/Hydro-Int'l (Only On: 72070)
93-7314	15	26	1	Decal - Danger (Only On: 72070)
93-7324	12	13	2	Decal - Belt Instr. (Only On: 72070)
93-9275	5	15	1	Guard - Fan (Only On: 72070)
93-9801	3	3:2	1	ASM - Wheel w/Zerk
93-9998	17	16	1	Switch - PTO Toro
94-1588	11	8	1	Rod - Bypass
94-1722-03	10	10	1	Wa - Brake Lever
94-1749-03	8	18	1	Firewall
94-1894	17	7	1	Dash

*Not Illustrated

Toro Part Number Index (cont.)

Part No.	Page No.	Ref. No.	Qty.	Description
94-1980	1	1	2	Foam - Hood
94-2514	14	7	1	Clutch - PTO (Only On: 72048)
94-2869	15	12	4	Washer
94-2869	16	20	2	Washer
94-2874	7	9	1	Shaft - Short Steering
94-2966	17	9	1	Clip - Boot
94-2970	14	3	1	Decal - Toro Power + 15
94-3552-03	9	34	1	Shaft-Lift
94-3761-03	9	15	1	Lever-Lift
94-4205	13	4	1	Transaxle - Hydrostatic
94-4208	17	27	1	Hourmeter
94-4233-03	10	15	1	Lever - Brake Wa
94-4243	15	24	1	Plate-Footrest (Only On 72070)
94-4944	9	30	1	Shaft - Pedal Pivot
94-4945	11	12	1	Spacer
94-6875	11	11	1	Washer
94-6928	5	3	1	Tank - Gas
94-6961	17	29	3	Screw
94-7905	11	22	1	Retainer-Screw
95-0800	1	13	1	Decal - Hood RH
95-0801	1	12	1	Decal - Hood LH
95-0802	15	3	1	Decal - Rear Fender
95-0804	8	16	2	Decal - 265 Hydro
95-1653	11	20	1	Switch - Single Pole
98-1459	7	25	1	Decal - Toro
98-1468	7	6:1	1	Cover - Wheel, Steering (Only On: 72048)
98-1471	7	6	1	Wheel - Steering 14" (Only On: 72048)
98-1472	7	6	1	Wheel - Steering, Toro (Only On: 72070)
98-1761	14	19	1	Muffler - Single
98-7249	17	31	2	Relay-Spdt
99-1933	17	33	1	Module-Low Voltage (Only On: 72048)
99-2334	18	1:1	1	Tire
99-2336	3	3:1	1	Tire
99-2985	16	5:2	1	Decal-Danger (Only On: 72048)
99-2986	16	5:2	1	Decal-Danger Intl (Only On: 72070)
99-3701	17	36	1	Module-Nmir, Clutch
99-5339	16	5:3	1	Decal-Nmir Switch (Only On: 72048)
99-5340	16	5:3	1	Decal-Nmir Switch Intl (Only On: 72070)
99-6758-03	11	32	1	Bracket, Nmir
99-6759	11	27	1	Rod-Nmir
99-6760	11	31	1	Arm-Push
99-6765-03	15	6	1	Rear Panel ASM
99-6768-03	19	2	1	Bracket - Cruise
99-6772-03	12	10	1	Wa - Frame
99-8030	16	5	1	Support-Seat, He ASM (Only On: 72070)
99-8031	16	5	1	Support-Seat (Only On: 72048)
99-8036	17	25	1	Decal - Dash Lens (Only On: 72048)
99-8038	17	25	1	Decal - Dash Lens (Only On: 72070)
99-8040-03	8	4	1	Support - Dash
99-8066	17	32	1	Harness-Lamp (Only On: 72070)
99-8067	4	10	1	Harness - Wire, 265-H
99-8068	17	32	1	Harness-4 Lamp (Only On: 72048)
99-8719	19	14	1	Clip-Light Duty
218-461	16	24	1	Nut-F/W
237-141	17	6	1	Grommet-Rubber
2412-89	19	11	1	R-Clamp Vinyl Covered
2412-98	5	4	2	Clamp
2412-129	5	9	2	Hose Clamp
256-90	9	31	2	Bshg-Flg
256-90	10	12	2	Bshg-Flg
302-5	3	14	2	Fitting-Lube
302-11	3	15	1	Zerk-45 Degree

*Not Illustrated

Toro Part Number Index (cont.)

Part No.	Page No.	Ref. No.	Qty.	Description
302-26	11	16	1	Zerk
321-4	4	3	2	Screw-HH
321-4	5	7	2	Screw-HH
321-4	7	2	4	Screw-HH
321-4	8	10	4	Screw-HH
321-4	15	8	2	Screw-HH
321-4	17	5	4	Screw-HH
321-4	19	12	1	Screw-HH
321-6	11	24	2	Screw-HH
322-3	1	15	2	Screw-HH
322-3	7	17	1	Screw-HH
322-5	2	14	2	Screw-HH
322-5	12	8	1	Screw-HH
322-5	16	4	4	Screw-HH
322-6	13	1	1	Screw-HH
322-12	13	7	1	Screw-HH
322-17	7	23	1	Screw-HH
323-6	19	1	2	Screw-HH
323-6	19	15	1	Screw-HH
323-7	11	13	1	Screw-HH
323-10	2	2	3	Screw-HH
323-10	11	10	1	Screw-HH
3217-9	7	7	1	Nut-Hex
3218-3	18	4	4	Nut-Jam
3220-3	11	3	3	Nut-Jam
3229-11	8	5	4	Screw-CARR
3230-1	1	26	2	Screw-CARR
3230-1	15	15	4	Screw-CARR
3230-2	12	3	2	Screw-CARR
3230-2	16	19	4	Screw-CARR
3230-23	15	22	3	Screw-CARR
3230-23	15	29	1	Screw-CARR
3230-31	15	4	6	Screw- Carriage
3231-4	6	12	1	Screw-CARR
3231-25	9	21	2	Screw-CARR
3231-25	14	14	2	Screw-CARR
3243-5	18	3	4	Screw-Set
3245-32	6	8:1	1	Screw-HS
3245-32	13	11	1	Screw-HS
3253-4	7	19	2	Washer-Lock/Sp
3253-4	14	12	4	Washer-Lock/Sp
3253-5	11	14	1	Washer-Lock/Sp
3253-7	7	8	1	Washer-Lock/Sp
3254-5	16	25	1	Washer-Lock/Int
3256-22	5	12	4	Washer-Flat
3256-22	11	25	4	Washer-Flat
3256-22	15	7	2	Washer-Flat
3256-23	2	15	2	Washer-Flat
3256-23	7	16	2	Washer-Flat
3256-23	10	7	1	Washer-Flat
3256-23	12	2	2	Washer-Flat
3256-23	13	5	5	Washer-Flat
3256-23	15	10	2	Washer-Flat
3256-24	2	6	7	Washer-Flat
3256-24	9	22	2	Washer-Flat
3256-24	10	13	1	Washer-Flat
3256-24	11	6	6	Washer-Flat
3256-24	11	29	2	Washer-Flat
3256-24	14	15	2	Washer-Flat
3256-26	9	20	6	Washer-Flat
3256-49	16	13	4	Washer-Flat
3272-2	11	9	1	Pin-Cotter

*Not Illustrated

Toro Part Number Index (cont.)

Part No.	Page No.	Ref. No.	Qty.	Description
3272-6	10	6	2	Pin-Cotter
3272-6	11	28	1	Pin-Cotter
3272-17	3	2	2	Pin-Cotter
3290-282	16	11	4	Rivet-Stl Pop
3290-354	10	19	1	Nut-Speed
3290-392	11	21	2	Screw - Hex Head Slot
3290-479	15	17	14	Fastener-Panel
3296-1	11	23	2	Nut-Lock Ni
3296-2	17	35	2	Nut-Lock Esna (Only On: 72048)
3296-8	7	24	4	Nut-Lock Ni
3296-8	8	7	4	Nut-Lock Ni
3296-22	19	16	1	Nut-lock
3296-23	9	26	1	Nut-Lock Ni
3296-29	1	19	4	Nut-Lock Ni
3296-29	2	3	3	Nut-Lock Ni
3296-29	7	21	2	Nut-Lock Ni
3296-29	12	1	2	Nut-Lock Ni
3296-29	12	9	1	Nut-Lock Ni
3296-29	13	6	6	Nut-Lock Ni
3296-29	15	11	14	Nut-Lock Ni
3296-29	16	16	6	Nut-Lock Ni
3296-39	9	23	2	Nut-Lock Ni
3296-39	14	16	2	Nut-Lock Ni
3296-39	19	4	3	Nut-Lock Ni
3296-42	5	13	2	Nut-Lock Ni
3296-42	8	11	3	Nut-Lock Ni
3296-42	11	26	2	Nut-Lock Ni
3296-42	17	3	2	Nut-Lock Ni
3296-42	17	37	2	Nut-Lock Ni
3296-42	19	13	1	Nut-Lock Ni
3296-58	16	9	2	Nut-Lock Ni
3296-59	2	10	4	Nut-Lock Ni
3296-59	11	5	1	Nut-Lock Ni
32103-22	4	4	4	Nut-Wing
32104-96	5	16	2	Screw-HH
32105-12	17	34	2	Screw (Only On: 72048)
32105-15	1	5	12	Screw-Mach
32120-47	9	19	5	E Ring-External
32121-25	9	40	1	Pin-Roll
32121-69	10	11	1	Pin - Spring
32121-103	9	37	1	Pin-Sprl
32128-10	1	14	8	Flange Locknut
32144-4	8	20	2	Screw-HH
32144-4	9	5	1	Screw-HH
32144-8	8	26	2	Screw-HH
32144-8	17	30	2	Screw-HH
32144-14	1	11	2	Screw-HWH
32144-14	4	11	1	Screw-HWH
32144-14	8	25	2	Screw-HWH
32144-14	9	36	2	Screw-HWH
32144-14	9	45	2	Screw-HWH
32144-14	10	3	4	Screw-HWH
32144-14	12	5	6	Screw-HWH
32144-14	14	1	3	Screw-HWH
32144-14	5	14	2	Screw-HWH (Only On: 72070)
32144-32	1	33	2	Screw
32144-32	17	23	4	Screw
32149-2	8	3	2	Nut-Keps
32149-2	17	2	2	Nut-Keps
33114-030	7	20	2	Screw-HH
33114-030	14	13	4	Screw-HH

*Not Illustrated

