



2820 Gandy Overseeder Operator's Manual

20" walk-behind overseeder
with Disc (2820SS)



Gandy Company

528 Gandrud Road, Owatonna, MN 55060

Ph: 800/443-2476; 507/451-5430 Fax: 507/451-2857

Email: custsrv@gandy.net Web site: www.gandy.net

Table of Contents

Introduction	1
General Information / Safety	2
Features	3
Getting Started	4
Turning & Maneuvering	5
Dual Wheel Option	
Operation / Calibration	6
Maintenance	7
Trouble Shooting	8
Specifications	9

Congratulations on the purchase of your new Gandy equipment!

Your purchase demonstrates your trust in the Gandy name and the desire to own quality equipment easy to operate and maintain.

To get the full benefit of your purchase, please familiarize yourself with the controls and features of the Gandy overseeder. This operator's guide has been prepared to assist you in this process.

Please read this guide carefully and familiarize yourself with the basic safety procedure, operating tips and maintenance information. Close consideration of the recommendations contained in this manual will save time, money and provide years of productivity for your unit.

Please record the model and serial number in the manual. This information will greatly assist you in order replacement parts as necessary.

Model: _____ Serial Number: _____

Operation Guide

General Information

This manual will assist you in the safe operation and proper maintenance of your Gandy equipment. Read it thoroughly before attempting to operate the machine. Do not hesitate to call your dealer or Gandy if additional information is required.

Safety symbols are used throughout the manual to alert you to information about unsafe actions or situations.

DANGER Indicates immediate hazards that may result in severe injury or death.

WARNING Indicates unsafe actions or situations that may cause severe injury, death and/or major equipment or property damage.

CAUTION Indicates unsafe actions or situation that may cause injury, and/or minor equipment or property damage.

This equipment should not be modified without the manufacture's prior written authorization. Doing so without our written permission may not only affect the equipment's performance and durability, but also create safety hazards for the operator and the surroundings. Warranty will be void if the charges are made to the equipment without the manufacture's proper written authorization.

Safety Procedures

DO:

Read all maintenance and service instructions before attempting work.

Read engine manufacture's operating and maintenance instructions.

Inspect lawn to be seeder and remove rocks, wire, string and other objects that might present a hazard before starting.

Identify and mark all ground objects to be avoided, such as sprinkle heads, stakes, water valves, clothes lines anchors, etc.

Use machine for lawn seeding only.

Keep unsupervised children away from equipment.

Make sure that removable weights are securely latched in position while operating the equipment.

Adopt safe lifting and moving techniques when loading/unloading and moving equipment.

Make sure all decals are in place.

Do Not:

Do not service while running.

Do not use on any surface other than grass.

Do not operate on slopes exceeding 35% grade.

Do not place hands or feet near moving or rotating parts.

Do not attempt to lift alone.

Do not run engine in an unventilated space.

Do not run engine while servicing. Remove spark plug wire before commencing service.

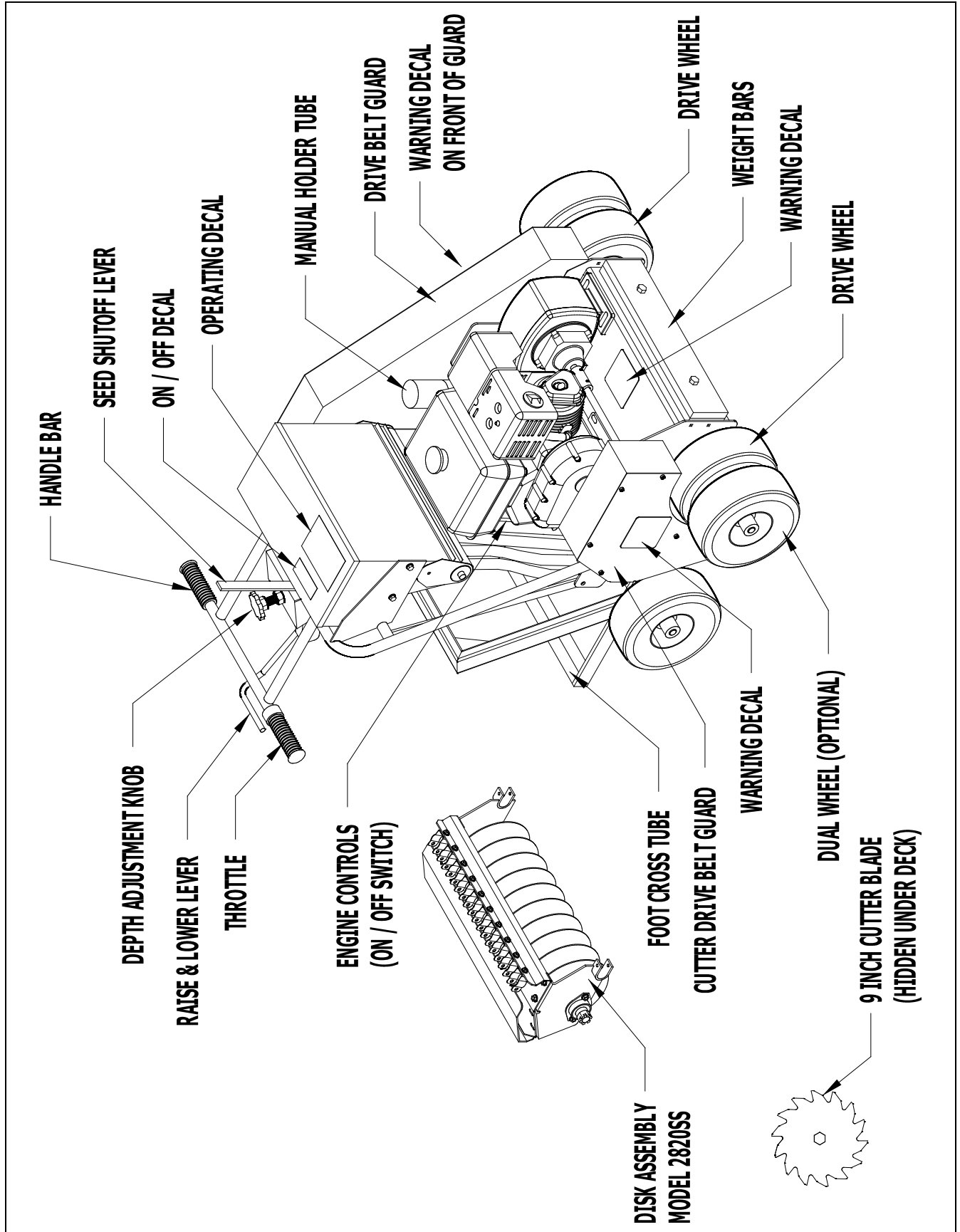
Do not smoke or allow open flames or sparks near unit, and always top the engine when refueling.

Do not remove guards when operating.

Do not modify this equipment.

Do not use this equipment for purposes other than intended, i.e. lawn seeding.

Features and Controls: Models 2820SA



Getting Started

1. The Gandy Models 2820SS (disc seeding assembly) should arrive fully assembled and crated.
2. Check the unit upon removing from crate for all instruction and reference manuals. These are located in a cylindrical plastic container mounted on the machine. This manual holder is provided to keep the original documents handy for reference for parts replacement, operational information and additional operator's notes in seeding applications.
3. Remove the top portion of the shipping crate.
4. Unfasten unit from lower crate, pivot unit into upright position to give access to the wheels.
5. Inspect the unit to ensure not damage has occurred during shipping.
6. Install the wheels on the axles.
7. Review the engine operation manual for its operation. **CAUTION: THIS UNIT IS SHIPPED WITH NO OIL IN ENGINE OR CLUTCH ASSEMBLY.** Fill with oil recommended by the engine manufacturer for both engine and clutch. Note that motor will not start without oil in the engine, but transmission can run without oil and damage will result if operated with the absence of oil.
8. Use only clean gas from a clean container. Use no mixed gas.
6. Make sure all shields and guards are in place before starting engine.
7. Start engine with unit in "UP" non-ground engaging position.
8. Familiarize yourself with operation of the unit before starting a seeding project.
9. To begin, rotate the throttle found on the right handle bar. When the engine rpm increases, the clutch to start the slicer blades will engage and forward travel will begin.

Caution A Make sure when hand throttle is released, it returns to neutral, engine slows and clutch disengages slicer blades and drive wheels.

Caution B Engine should be at full rpm before lowering unit into working position.

Caution C Never cross hard objects or surfaces such as sidewalks, driveways, flagstones, etc., with slicer blades in working position.

10. **Depth Adjustment:** Check to see that the blades are operating at desired depth. To change adjustment, loosen the locking wing nut and adjust the depth knob so when machine is in working position, it will be at the desired depth. Re-tighten lock nut when properly positioned. Remember most grass seeds should be within the top 1/4" of soil. Take care to not "bury" it.
11. When making sharp corners, the unit must be in a raised position. Raise unit by stepping down on rear cross bar, thus raising the front drive wheels off the ground.
12. If the discs are not aligned, loosen the axle nuts as well as the tube plate bolts, and then move the discs in either direction to align them with the slits. Once aligned, re-tighten the axle nuts. Adjust the tube place so that the tubes are positioned in relationship to the discs for the greatest seed placement in the slit. Re-tighten all bolts when completed. Remember all of the seed will not go into the slit, but will be also alongside the path of the slit.

For faster fill-in of turf areas, many users cross hatch the seeding, thus reducing the effective 2" spacing of the overseeder to 1", thus speeding the recovery of the seeding area.

Turning and Maneuvering the Seeder

1. Gradual maneuvering of the overseeder while traveling can be accomplished by simply guiding the unit. A safe walking speed is recommended for complete control. When reversing direction is desired, the seeder should be raised out of the ground and the speed slowed. Place your foot on the rear cross tube, push down, thus raising the front wheels, and pivot unit 180° on rear wheels.

Caution: Do not operate overseeder on steep hills!

Be aware that operation of unit on hills will shift the center of gravity to the downhill side, causing greater effort to steer and maintain balance of machine. This also will cause uneven cutting depth of slicer blades.

2. Dual wheels can be installed on the front wheels as optional equipment to give greater traction for slopes and side hills. This will aid traction, but remember it extends the overall width of the overseeder.

Dual Wheel Installation

Remove existing wheel clevis pin and install dual axle coupler by using longer pin provided in dual wheel kit. Once longer pin installed, place dual wheel on extended axle with original pin.

Operation/Calibration

1. Check hopper for any foreign objects to make sure the rotor is free to turn.
Check tires on power deck.
2. Check the rate according to the charts for seed type, and set the cam gauge on the hopper for the desired rate. All rates are calibrated for 1,000 square feet at 2.5 mph. (See rate chart in hopper.)

When setting the gauge, use the top surface of the stop as the indicator to tell where the gauge is set.
NOTE: Always move the gauge away from the stop before attempting to set the gauge.

3. Make sure the hopper slide is closed, and fill the hopper with seed.

A test run is recommended to check for proper seed rate and placement.

4. After operation, it is recommended that the rotor in the hopper be removed and cleaned of all fines.

Calibration/Rate Check

Pan Method

1. Remove the drop tubes from the down spouts by loosening the hose clamps.
2. Suspend a calibration or catch pan or tubes below the spouts.
3. Travel a known area, such as 1,000 square feet.
4. Weigh contents of calibration pan and adjust setting up or down as necessary and check rate again.

Known-Volume Method

1. Completely fill the hopper with a known volume of material.
2. Treat a known area, such as 1,000 square feet.
3. Weigh enough material to more than refill the hopper to the original level.
4. Refill the hopper to the original level and weight the remaining material to calculate how much was applied.
5. Adjust gauge as necessary and retest.

1. Determine Speed:

88-Ft = 1mph
176-Ft = 2 mph
264-Ft = 3 mph
352-Ft = 4 mph
440-Ft = 5 mph

2. Set Gauge:

Refer to charts accompanying unit. Remember the settings in the charts are starting guides. Check your rate with procedures outlined. First half of gauge is marked with increments of one, second half, with increments of 5. Each tenth of the gauge stop opens outlet approximately one thousandths of an inch.

Maintenance

Cleaning the hopper

1. Loosen the latches that secure the bottom and slide to the hopper.
2. Loosen wing nuts on bearing retainers and remove bottom.
3. Remove rotor and clean. It may be necessary to oil rotor bearings to prevent material fines from working into them.
4. Some materials may build up on the hopper bottom, especially under humid conditions.
If necessary, remove slide from hopper for cleaning by loosening the four nuts, nylon washers and slide hanger.

Important: To obtain proper slide tension, when reassembly slide onto bottom, gently drive the hanger to the right, using a screw driver against the tab at the left end of the hanger. When the end of the hanger lines up with the scribed line on the hopper bottom, slide tension is correct, and the bottom is ready for re-installation.

Disc opener and bearing replacement

1. Detach the disk assembly from parent unit, if desired.
2. Remove bearing bolts on each end. Disk assembly will drop out of housing.
CAUTION: Discs are sharp and possible injury could occur if mishandles.
3. Remove cotter pin and castellated nut from end of disc shaft.
4. Remove end bearing.
5. Remove nuts, spacers and discs as necessary from disc shaft. Maintain the order as originally assembled. Make sure the spring loaded disc scrapers are in their proper position as the disc assembly is replaced into the housing.
6. **NOTE:** By adjusting the inner nuts on the disc shaft the disc can be precisely aligned with the cutter blades.

Drop Tube Replacement

1. Loosen hose clamp on top of drop tube and detach tube from spout.
2. Loosen bolt holding bottom of drop tube. Twist tube free.
3. Replace by reversing procedure.

Cutter blade replacement

The cutter blades are heat-treated, spring steel. There are two circular blades in 5 pairs.

If they need to be replaced:

1. Loosen and remove the drive belts on the right side of the unit under the shield.
2. Remove the cutter bearing holders and the blade assembly will come free of the housing.
CAUTION: The blades are sharp and must be handled with care to prevent injury.
3. Remove the spring pin from the castellated nut on the end of the shaft opposite the drive.
4. Loosen and remove the castellated nut.
5. Remove blades and spacers as needed. Important: cutter blades are mounted in pairs.
Remove and replace in same alternating order to maintain proper blade action.
6. Reverse the above steps to reassemble the blades and chain drive.

Trouble Shooting

Problem	Solution
1. Seed is not being dispensed.	A. Slide not open. B. Hopper rotor bar not turning. C. Seed tube plugged. 1) Check for dirt in bottom of tube. 2) Seed tube too long and sags. Shorten Tubes.
2. Seed not falling into slit.	A. Readjust discs or shoes to align with slit. B. Adjust seed tube plate in relationship to discs on disc unit.
3. Engine will not run.	A. Check engine owner's manual. B. Check for low oil. (Engine has oil sensor.) C. Check gas tank for gas level or obstruction.

2820 Overseeder Specifications

Power Unit	
Engine	8.5HP Honda, RA2A
Clutch	Automatic clutch/centrifugal (Honda)
Blade drive	two V-belts, Gates 6934
Wheel drive	Primary 1- V-belt, Gates 6822 Secondary 1 #41 roller chain
Gear reduction	31:1 Dayton Gear Reduction, 42859
Hopper, seed	1 v-belt, Gates B53
Wheels	
Bearings	Rear: 3/4" I.D. ball bearing flangette / Front: Pined to Shaft
Front tires	410/350-4 Super Grip
Rear tires	410/350-4 Saw Tooth
Slicer blades	14 gauge, 9" diameter, 5 with 30 ^o center, 5 with 90 ^o center
Aeration	
Aeration width	20"
No. of blades	10
Spacing	2" centers
Maximum depth	1.5"
Working speed	2.5 mph
Weight	
2820SS (Disc assembly)	154 lbs., crated