



Touch Screen Wireless Keypad

For Remote Control of the 2GIG Security System



INSTALL INSTRUCTIONS

This document describes the basic installation information for the 2GIG-2GIG-TS1 and the steps necessary to “pair” (or learn in) the Touchscreen Wireless Keypad to the Control Panel.

Box Contents

- 2GIG-TS1
- AC Power Supply
- AC Power Supply Bracket
- Screws and anchors

TIP: The box contents will vary depending on whether the 2GIG-TS1 was purchased as part of a kit or not.

BEFORE YOU BEGIN

Is the 900 MHz Transceiver installed in the Panel?

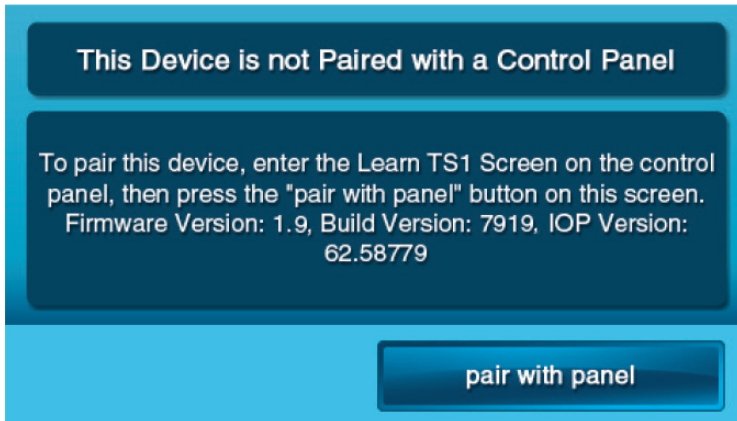
For the 2GIG-TS1 to communicate with the Control Panel, the 900 MHz Transceiver (2GIG-XCVR2) must be *already* be installed in the Control Panel.

Is the 2GIG-TS1 paired with the Control Panel?

The 2GIG-TS1 and the Control Panel have to be paired to communicate with each other.

To check for to see if the 2GIG-TS1 is paired with the Control Panel

Upon power up, the 2GIG-TS1 displays the following screen:



2GIG-TS1 PRODUCT OVERVIEW

The Model 2GIG-2GIG-TS1 Touch Screen Wireless Keypad is a remote control device that offers the functionality of a system keypad but also extends all user control of the 2GIG Control panel to other locations in a user’s home. Using the 2GIG-TS1, users can control lights, thermostat and door locks and see the status of every zone in their home using the exact same and familiar interface found on the Control Panel. The keypad is designed for indoor use only.

IMPORTANT: Not for UL 985 installations.

The panel and buttons serve as controls as well as indicators. Pressing the (**Emergency**) button displays emergency icons on the display for Panic, Fire, and Emergency alarm activation (each has programmable options and can be enabled or disabled). Pressing the (**Home**) button changes the system display to the **Home Screen**. The keypad is powered from a plug-in power supply. The 2GIG-TS1 exchanges information through a secure 2-way wireless connection with the Control Panel.

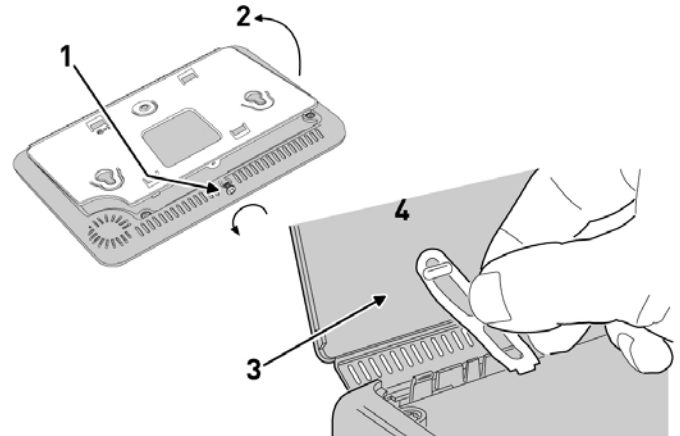
NOTE: Before using the 2GIG-TS1 it must be “learned” into the Control Panel.

Mounting Tools

Some special tools may be required to mount the 2GIG-TS1 onto the wall:

- Screwdriver
- Pencil
- Wire stripper
- Staple gun
- Drywall saw (or equivalent)
- Ladder

PREPARING THE KEYPAD

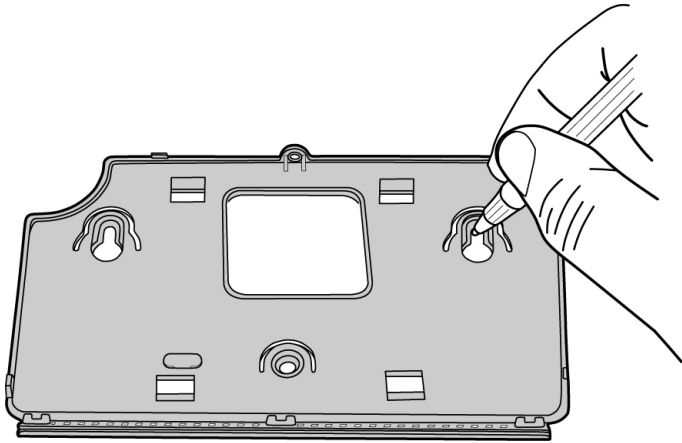


- 1 Remove the screw.
- 2 Flip open the back cover of the 2GIG-TS1.
- 3 Disconnect the hanging strap.
- 4 Use the back cover as the mounting plate.

NOTE: Check that the 2GIG-TS1 Keypad is functioning before selecting a location for the Keypad.

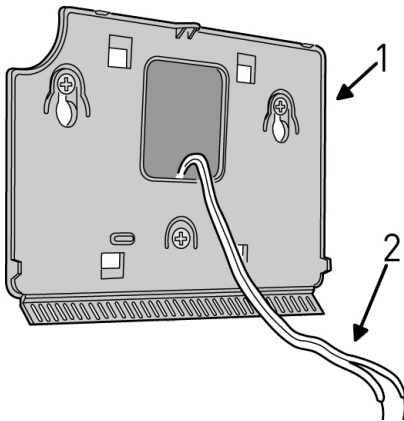
SELECTING A LOCATION FOR THE KEYPAD

- 1 Make sure that AC Power is available nearby.
- TIP:** Be careful of studs, electrical wires and pipes in the wall.
- 2 Use the keypad's back cover as a template to mark the screw holes with a pencil and the power (wiring) access hole.
 - 3 Use a drywall saw to cut the wiring hole.



Mounting the Keypad

- 1 Use the 3 screws and anchors that are supplied to attach the mounting plate to the wall.
- 2 Route 18 AWG wire between the keypad and the location of the power supply.



Wire Size and Length

To ensure proper operation, Do Not exceed the following maximum length for the wire size installed:

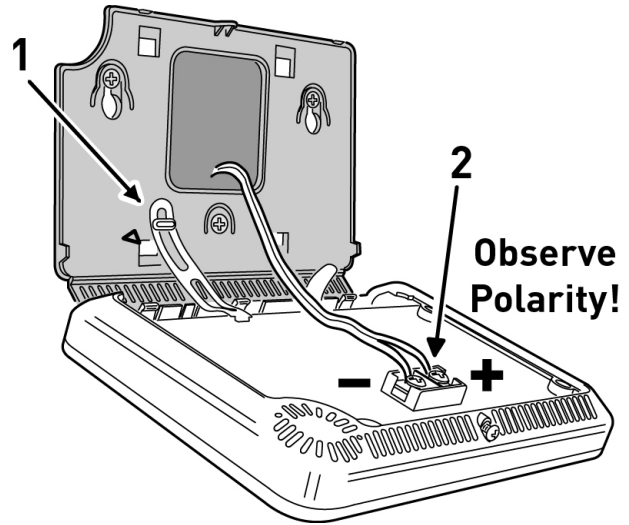
Wire Size	Maximum Length
22 AWG	55 feet (16.8 meters)
20 AWG	85 feet (25.9 meters)
22 AWG 2-pairs (19 AWG equivalent)	110 feet (33.5 meters)
18 AWG	135 feet (41.1 meters)

To ensure that the appropriate wire size and length are installed, measure the voltage between the power connection terminals at the back of the control panel. The voltage measured must not fall below 11 volts DC or nuisance "AC Power Loss" messages may be displayed and reported.

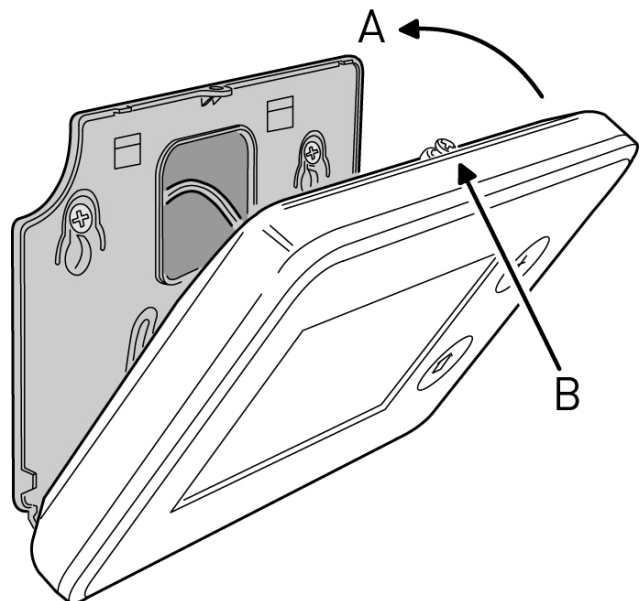
NOTE: In the United States, wiring routed inside walls, ceilings, and floors must comply with requirements of the National Electrical Code, ANSI/NFPA 70 and local building codes. For wiring from the output of the 2GIG class II power supply, wiring rated CL2, CL2X, CL2R, or PLTC is recommended to satisfy these requirements. If this wiring is installed in an air plenum (space used for environmental air exchange) it must be rated CL2P (plenum rated).

Connect the Power Wires to the Keypad

- 1 Re-connect the hanging strap.
- 2 Use #6 insulated spade terminals (not supplied) to connect wires from the power supply to the keypad.

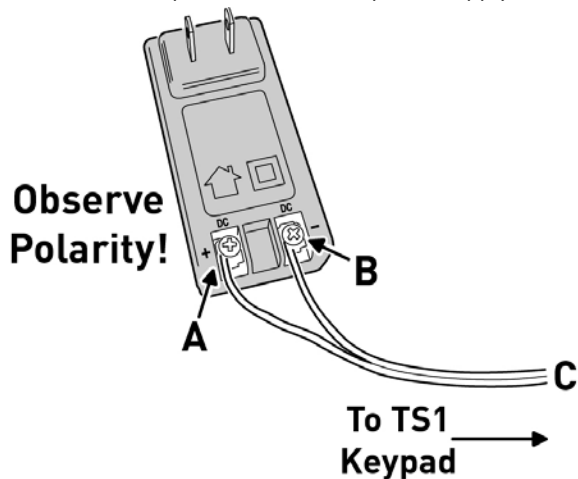


- 3 Close the keypad.



- A Snap case closed.
- B Tighten case screw.

- 4 Connect the power wires to the power supply.



- A Left Terminal 14 VDC(+)
- B Right Terminal 14 VDC (-)
- C 18 AWG/2-Conductor

LEARNING/PAIRING THE KEYPAD WITH THE CONTROL PANEL

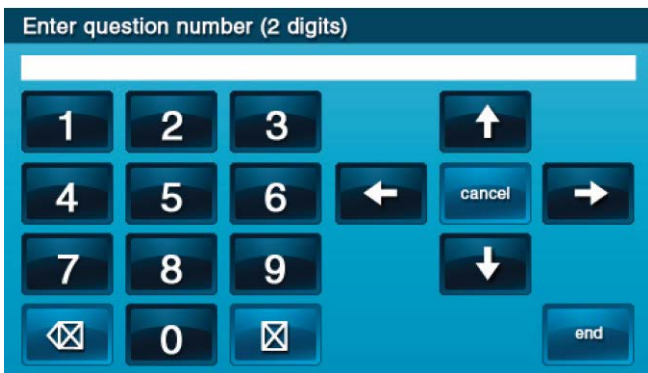
- 1 Make sure that the Control Panel has power using the supplied AC adapter and confirm that the adapter is connected.

WARNING: A Control Panel *without* the 900 MHz Transceiver installed **cannot** communicate with the 2GIG-TS1.

- 2 Make sure that the 2GIG-TS1 has power from the supplied AC transformer. Connect the AC adapter to the 2GIG-TS1. Confirm that the wires are connected using the correct polarity.
- 3 As the 2GIG-TS1 powers up, the following message is visible on the display.



- 4 From the Control Panel's Installer Toolbox, select **System Configuration**.
- 5 Select the **Go To** button.
- 6 To go to question 4, enter **04**.



- 7 Select the RF Keypad number to assign to the 2GIG-TS1. Use the → arrow to select the RF Keypad number (1-4). After selecting the RF Keypad number, press the ↓ arrow to start configuring the specific parameters for the RF Keypad.



- 8 Press the → arrow or press the number 1 on the keypad toggle the setting on the first question to "used". Press the ↓ arrow to continue configuring options.



- 9 Set the RF Keypad Equipment Code to 1059 by pressing the → arrow until "(1059) 2GIG-TS1 wireless touchscreen keypad" appears. Press the ↓ arrow to advance to the next option.



- 10 Learn the 2GIG-TS1 into the Control Panel. After pressing the ↓ arrow in the previous step, the **Learn** button appears.

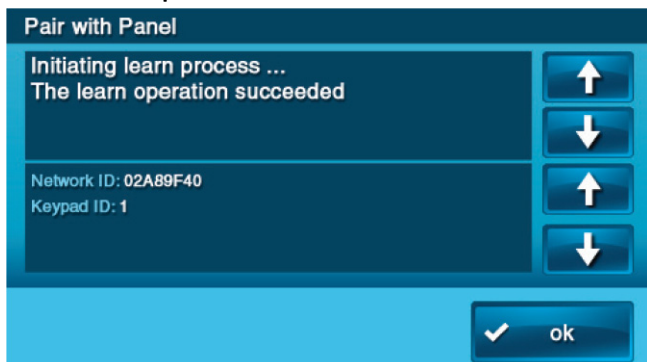


INITIATING THE PAIRING PROCESS

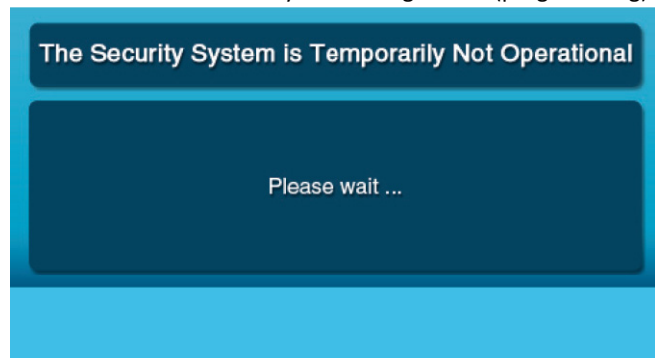
Initiate the pairing process at the Control Panel by pressing the **Learn** button.



- 1 On the Control Panel press the **Learn** button.
- 2 On the 2GIG-TS1 press the **Pair with Panel** button.
The Control Panel displays the message:
Pair with 2GIG-TS1. Initiating learning process.
When learning is complete, both the 2GIG-TS1 and Control Panel display the message:
The learn operation succeeded.



- 2a The Control Panel displays the message:
Type: 2GIG-TS1 Wireless Keypad ID#: X
(where X is the RF Keypad number configured for the 2GIG-TS1).
 - 2b The 2GIG-TS1 displays "Network ID: xxxx" where xxxx is a unique hexadecimal number and a keypad ID. The hexadecimal number is a unique number associated with the Control Panel that you are using. The keypad ID indicates the keypad that you are learning into the Control Panel.
 - 2c To complete the learning process, press the **OK** button on *both* the Control Panel and the 2GIG-TS1.
- 3 After successfully learning the 2GIG-TS1 into the Control Panel, press the ↓ arrow to exit the learning menu.
The 2GIG-TS1 displays a message indicating that the security system is temporarily inoperable. The 2GIG-TS1 remains in this state while the Control Panel is in system configuration (programming) mode.



Repeat the steps above to learn in additional TS1s.

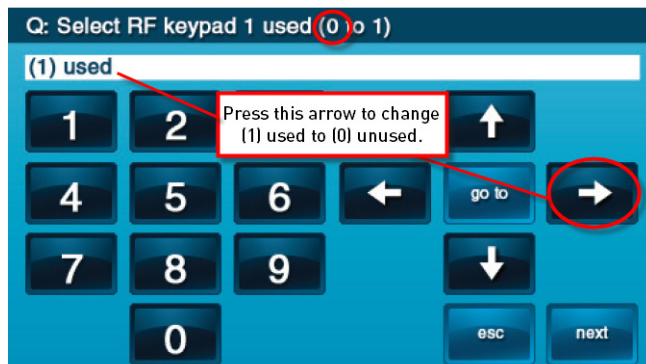
- 4 To exit programming, click **skip** then **end** and **exit**. Upon exit, the Control Panel takes a several seconds to reboot.

REMOVING A 2GIG-TS1 FROM A CONTROL PANEL (UNLEARNING THE 2GIG-TS1)

To remove a 2GIG-TS1 from a Control Panel's configuration do the following:

- 1 From the Control Panel, go to **Installer Toolbox / System Configuration**.
- 2 Select the **Go To** button and enter **04**. The Control Panel displays Q4: select RF keypad # (1 to 4). Select the configured 2GIG-TS1 you wish to remove and press the ↓ arrow.
- 3 Mark the RF Keypad number selected as "unused" by pressing the → arrow. This action toggles the setting on the first question between

"used" and "unused." Press the ↓ arrow to advance to the next option.



- 4 To exit programming, click **skip** then **end** and **exit**. Upon exit, the panel takes several seconds to reboot.

RESETTING A 2GIG-TS1 TO FACTORY DEFAULTS

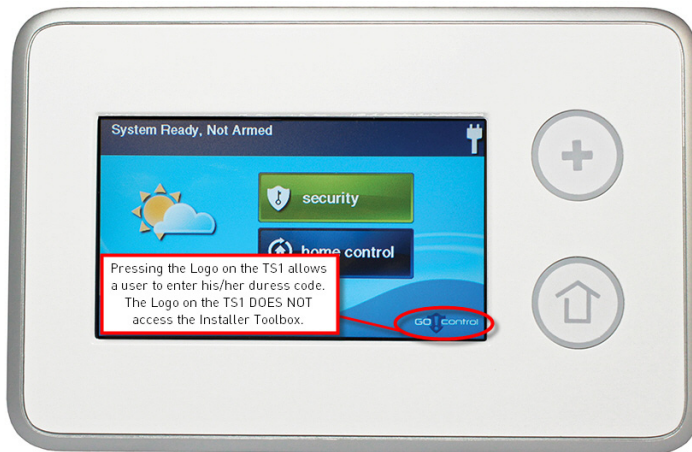
To reset the 2GIG-TS1 to defaults so that it may be used again on another Control Panel, do the following:

- 1 While power cycling the 2GIG-TS1, hold both the **+** (**Emergency**) and the **⬇** (**Home**) buttons down simultaneously until they light up (approximately 20 seconds). When *both* buttons light up, the 2GIG-TS1 has successfully been reset to all default settings.

The 2GIG-TS1 displays the message:
This Device is Not Paired with a Control Panel.

SECRET DURESS BUTTON

TIP: The logo on the bottom corner of the **Home Screen** does not access the Installer Toolbox on the 2GIG-TS1.



If a user presses the logo on the bottom corner of the 2GIG-TS1 **Home Screen**, the user can enter the duress code only. Installers must remember that the Installer Toolbox can only be accessed from the Control Panel. The 2GIG-TS1 cannot access the Installer Toolbox.

TIP: Although there is a default master code: 1111, there is no default duress code.

Check to ensure that the 2GIG-TS1 firmware version matches the Control Panel firmware version

The 2GIG-TS1 and the Control Panel are *required* to have the same firmware version to fully communicate with each other (e.g. CP v1.10 and 2GIG-TS1 v1.10).

- 1 From both the 2GIG-TS1 and Control Panel **Home Screen**, choose **Security / Menu / Toolbox**.

2 From the **Toolbox Screen**, use the → arrow until you see the **Version Screen**.

2GIG-TS1 Version Screen



Control Panel Version Screen



REGULATORY INFORMATION

Wireless Product Notice

Radio controls provide a reliable communications link and fill an important need in portable wireless signaling; however, there are some limitations which must be observed.

- For U.S. installations only: The radios are required to comply with FCC Rules and Regulations as Part 15 devices. As such, they have limited transmitter power and therefore limited range (approximately 400 ft.).
- A receiver cannot respond to more than one transmitted signal at a time and may be blocked by radio signals that occur on or near their operating frequencies, regardless of code settings.
- Changes or modifications to the device may void FCC compliance.
- Infrequently used radio links should be tested regularly to protect against undetected interference or fault.
- A general knowledge of radio and its vagaries should be gained prior to acting as a wholesale distributor or dealer, and these facts should be communicated to the end users.

FCC NOTICE

This device complies with Part 15 of the FCC Rules. Operation is subject to the following two conditions:

- (1) This device may not cause harmful interference, and
- (2) This device must accept any interference received, including interference that may cause undesired operation.

This equipment has been tested and found to comply with the limits for Class B Digital Device, pursuant to Part 15 of the FCC Rules. These limits are designed to provide reasonable protection against harmful interference in a residential installation. This equipment generates and can radiate radio frequency energy and, if not installed and used in accordance with the instructions, may cause harmful interference to radio communications. However, there is no guarantee that interference will not occur in a particular installation. If this equipment does cause harmful interference to radio or television reception, which can be determined by turning the equipment off and on, the user is encouraged

to try to correct the interference by one or more of the following measures.

- Reorient or relocate the receiving antenna
- Increase the separation between the equipment and receiver
- Connect the equipment into an outlet on a circuit different from that to which the receiver is connected
- Consult the dealer or an experienced radio/TV technician for help

Any changes or modifications not expressly approved by the party responsible for compliance could void the user's authority to operate the equipment.

Les changements ou modifications non approuvés expressément par la partie responsable de la conformité pourrait annuler l'autorité de l'utilisateur à faire fonctionner l'équipement.

Industry Canada Notices

This device complies with Industry Canada licence-exempt RSS standard(s). Operation is subject to the following two conditions: (1) this device may not cause interference, and (2) this device must accept any interference, including interference that may cause undesired operation of the device.

Le présent appareil est conforme aux CNR d'Industrie Canada applicables aux appareils radio exempts de licence. L'exploitation est autorisée aux deux conditions suivantes : (1) l'appareil ne doit pas produire de brouillage, et (2) l'utilisateur de l'appareil doit accepter tout brouillage radioélectrique subi, même si le brouillage est susceptible d'en compromettre le fonctionnement.

Repairs to certified equipment should be made by an authorized Canadian maintenance facility designated by the supplier. Any repairs or alterations made by the user to this equipment, or equipment malfunctions, may give the telecommunications company cause to request the user to disconnect the equipment.

Users should ensure for their own protection that the electrical ground connections of the power utility, telephone lines and internal metallic water pipe system, if present, are connected together. This precaution may be particularly important in rural areas.

WARNING: Users should not attempt to make such connections themselves, but should contact the appropriate electric inspection authority, or electrician, as appropriate.

Operating and Storage Temperature

The recommended storage temperature for all Touch Screens is -10°C to 60°C (14°F to 140°F).

For optimal Touch Screen use, operational temperature is 0°C to 49°C (32°F to 120°F).

LIMITED WARRANTY

This 2GIG Technologies product is warranted against defects in material and workmanship for 1 year. This warranty extends only to wholesale customers who buy direct from 2GIG Technologies or through 2GIG Technologies' normal distribution channels. 2GIG Technologies does not warrant this product to consumers. Consumers should inquire from their installing dealer as to the nature of the dealer's warranty, if any.

There are no obligations or liabilities on the part of 2GIG Technologies for consequential damages arising out of or in connection with use or performance of this product or other indirect damages with respect to loss of property, revenue, or profit, or cost of removal, installation, or reinstallation. All implied warranties for functionality, are valid only until the warranty expires. This 2GIG Technologies Warranty is in lieu of all other warranties expressed or implied.

For technical support in the USA and Canada:

855-2GIG-TECH (855-244-4832)

Email: techsupport@2gig.com

Internet: dealer.2gig.com

Visit web site for technical support hours of operation

For technical support outside of the USA and Canada:

Contact your regional distributor

Visit dealer.2gig.com for a list of distributors in your region.

PN 77-000090-001 Rev. D