

2nd Generation of Electrification. **KONA** Hybrid & Electric





ELECTRIC



Positive energy.

Everything about the new KONA Electric shows the power of positive thinking. You get cutting-edge design, a pure electric powertrain that provides a long driving range plus a suite of advanced connectivity and safety features that will put you right on the vanguard of fashion and technology. Put the power of positive thinking into your daily drive with the new KONA Electric.



Standard charger (AC 7-pin)
Fast charger (DC)

Twin Headlights

Count on LEDs for maximum lighting power while drawing a minimal amount of electricity and delivering a longer service life.



Rear Combination Lamps

The highly distinctive grille design is a key detail that helps define the futuristic identity of the KONA electric while staying true to the rules of good aerodynamics.



Charging port

For maximum flexibility, the port offers a choice of recharging modes: AC or DC charging. Connecting the cable is designed to be safe, secure and simple.



Effortlessly elegant & Peace of mind.

ELECTRIC



With its disciplined focus on layout simplicity and good ergonomics, the KONA electric interior advances the evolution of trendsetting design. As forward-thinking as the exterior, the interior abounds with fine touches that bring all the key elements to life in fluid, elegant style. Every detail is precisely designed around the philosophy of clean simplicity for a calming, soothing effect on the senses.

10.25" Full colour Supervision cluster

All vital car system information is presented with astounding legibility and colourful graphic format that only Supervision technology can deliver with selectable display themes: Normal, Sport, Eco or Cube.



Regenerative Braking Paddle Shifters

Maximise range and maintain a healthy state of charge by adjusting regenerative braking with the steering wheel - mounted paddle shifters. Different levels of deceleration and charging strength can be selected.



Electronic gear shift button

Drive-by-wire eliminates mechanical linkages to allow gear shifts with just a click of a button and includes a safety interlocking system. The parking brake is a lever shift type.



Wireless Smartphone Charger

The Qi charging pad conveniently located at the centre console lets you easily charge your smartphone without the use of cables.

ELECTRIC



Clean and simple engineering.

Pure electric drive opens the door to a whole new world of simplicity. All-electric mobility means a steep reduction in the number of moving parts the main sources of mechanical noise and vibration. The KONA electric's electric motor runs whisper quiet but perhaps best of all, it's inherently simpler, quicker and more reliable than a conventional gas engine while generating absolutely zero emissions. The regenerative braking system captures braking energy that would otherwise be wasted and uses it to top up the battery power reserve. Paddle shifters allow the driver to override the system's default eco drive setting and to summon different levels of regenerative braking as the mood or the occasion requires.

Up to 484km on a single charge



Driving range

Up to 484 km of emissions-free driving can easily accommodate the daily commute or even a weekend break. The available driving range at any time is clearly displayed on the supervision display.



64kWh & 39.2kWh lithium-ion polymer battery

Featuring multi-stage high-voltage safety systems, the battery's lithium-ion polymer chemistry delivers high energy density for improved driving range. The layout and packaging give KONA electric a low centre of gravity that promotes agile handling and a comfortable ride.



Electric Power Control Unit

EPCU, the brain behind KONA electric, is programmed to perform highly complex tasks regulating the various electrical and electronic systems and sub-systems such as the AC/DC Inverter, Low Voltage DC-DC Converter and Vehicle Control Unit.

High torque at the wheels



The single-speed reduction gear translates the output of the electric motor to deliver exceptionally high torque of 395Nm whenever you need it.



Permanent-magnet synchronous motor



The high-power electric motor develops up to 150kW of power and a maximum torque of 395 Nm from start-up, for an impressive acceleration of 7.9s from 0 to 100km/h.



KONA Hybrid.

KONA's advanced hybrid technologies do more than just reduce emissions, they also help promote a quieter, smoother ride. With the nearly silent running electric motor providing powerful assistance, the 1.6 GDi engine doesn't have to work as hard. This results in a noticeable reduction of noise, vibration and harshness. In the simplest terms, KONA's hybrid technologies will leave you smiling.

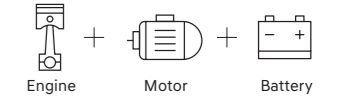


Newly sculpted front end projects a sporty, muscular look
LED rear combination lamps



Best-in-class fuel economy

3.9 $\ell/100$ km



HYBRID



An interior unlike any other.

The new KONA has a confident, modern style that has a way of always fitting in anywhere your travels may take you. Whether you're on a downtown dinner date or driving down a country road, KONA makes you feel perfectly at home. From the moment you step on the accelerator to unleash KONA's full potential, you will be smiling at the surge of quiet, clean power. KONA's power plants are third generation which means they benefit from the very latest technologies that improve their efficiency, reliability and, most importantly, your driving enjoyment

8-inch touchscreen infotainment system

Wireless smartphone charger



10.25-inch full colour supervision cluster

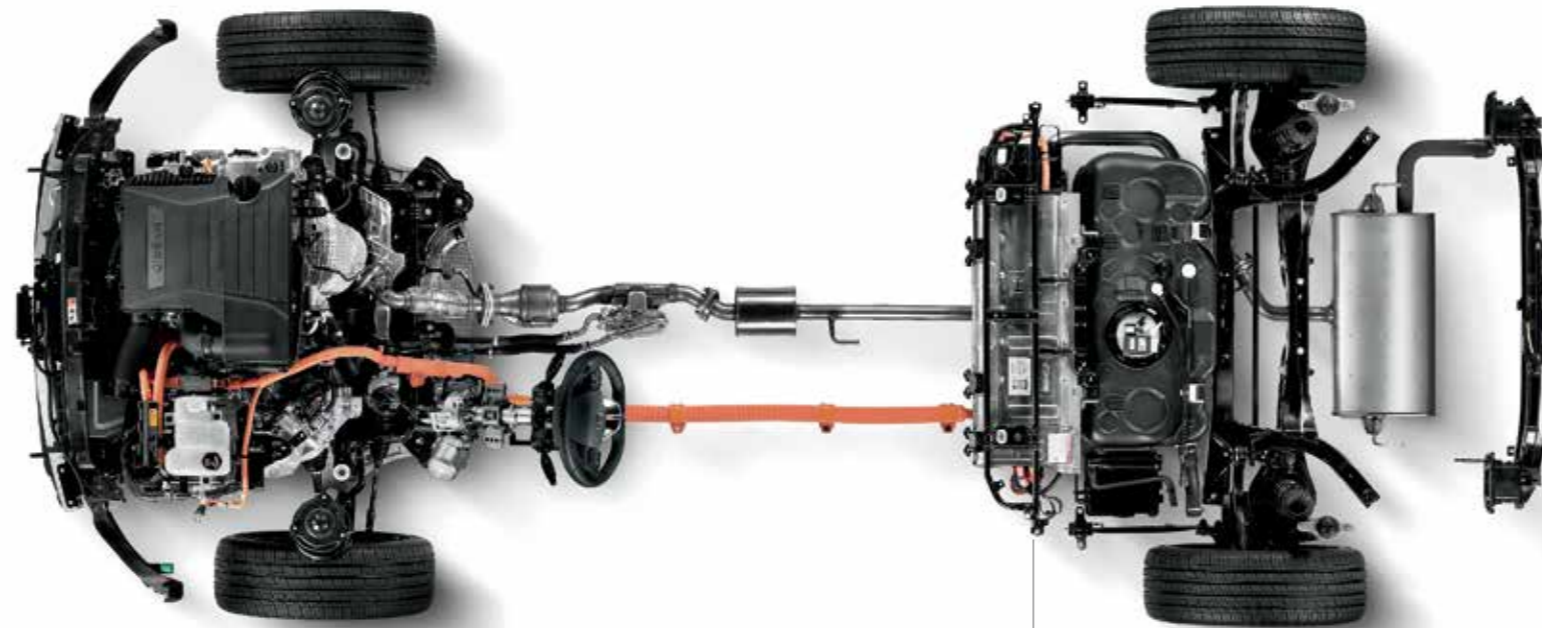


60:40 rear seat folding

Offering plenty of cabin space to keep everyone comfortable and ample amounts of storage space. For added versatility, KONA's 60:40-split back seats can be folded down to make room for just about any type of cargo.



Kappa 1.6L Atkinson-cycle GDI engine



Low center of gravity

By mounting the battery under the seats, the KONA Hybrid is able to attain an exceptionally low center of gravity. This greatly enhances agility and helps make the KONA Hybrid so much fun to drive.



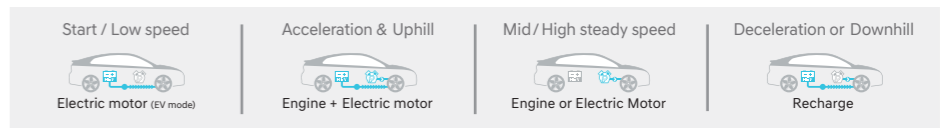
Hybrid electric motor

Two hearts, one beat.

The epitome of forward-thinking motoring, the 1.6-litre GDI direct-injection petrol engine is intelligently engineered to work in unison with the electric motor to deliver maximum power and optimal fuel economy. Full torque is instantly available resulting in silk-smooth acceleration and a truly agile driving experience that surpasses all other cars in its class.

Predictive energy management

The battery management system optimizes energy storage by recovering braking energy to help recharge the batteries and by continuously collecting and analyzing data on your travel routes and driving habits. Advanced algorithms are employed to switch seamlessly between pure electric drive, pure gasoline propulsion or combined mode as battery reserve power and driving conditions permit.



Hyundai SmartSense



Smart Cruise Control with Stop & Go (SCC)

You set the speed and SCC maintains it while keeping you a safe distance away from the vehicle ahead without requiring application of the accelerator or brake pedal.

Forward Collision-Avoidance Assist (FCA)

If there's danger of a collision with a car or a pedestrian, FCA's front camera gives you an early warning and, if necessary, FCA automatically applies the brakes to prevent the collision.



Lane Keeping Assist (LKA) / Lane Following Assist (LFA)

LKA/LFA keep you safely centered within the lane using its front view camera to monitor lane markers. On detecting an unintentional lane departure, a warning is triggered and, if necessary, LKA will automatically provide corrective steering input to keep you within the lane.



Blind-Spot Collision-Avoidance Assist (BCA)

BCA uses radar to monitor both of your blind spots. If a vehicle is detected in the blind spot while the turn signal is flashing, BCA will automatically apply left or right side front braking before your attempted lane change thus helping you avert an unsafe lane change and a potential collision.



Parking Distance Warning (PDW)

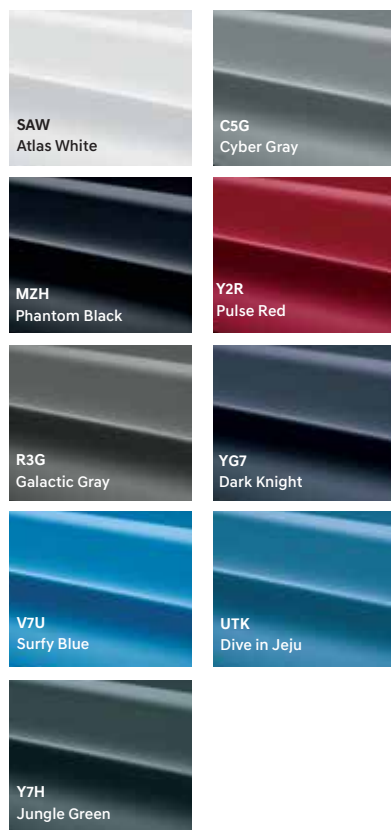
Proximity sensors in the front and rear bumpers warn you if you're too close so you can avoid scratches and park safer.

Safe Exit Assist (SEA)

SEA blocks attempts to disengage the child safety lock and prevents the rear door from opening when it is unsafe to do so.



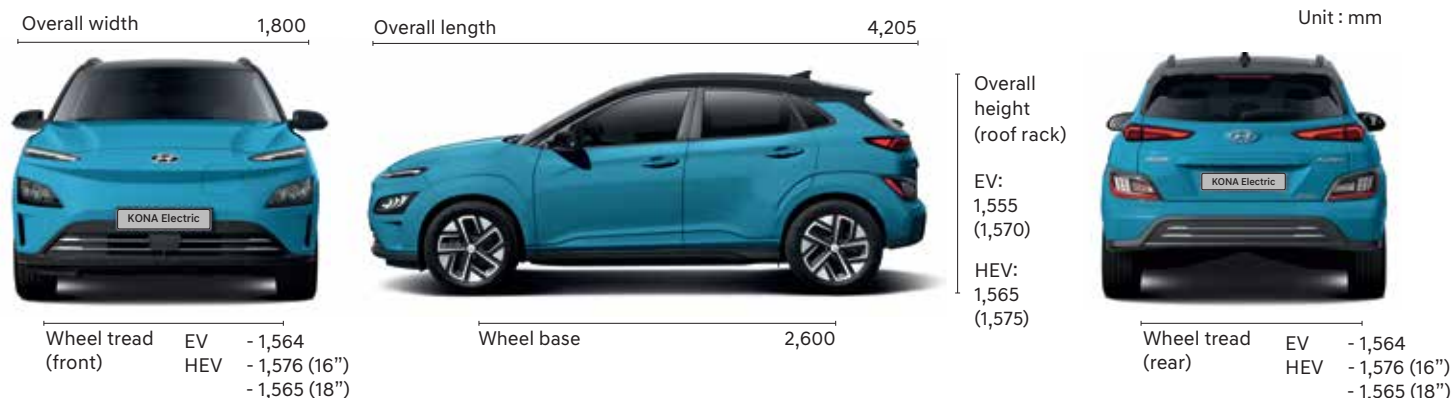
Exterior colors



Specifications

Type	KONA Electric		KONA Hybrid	
	64.0 kWh battery	39.2 kWh battery	1.6 GDi Standard	1.6 GDi Sunroof
Drive train	Permanent Magnet Synchronous Motor (PMSM)	Permanent Magnet Synchronous Motor (PMSM)	4-Cylinder Petrol-hybrid engine	
Displacement (cc)	-	-	1,580	
Max. Power (kW / rpm)	150	100	96.7 / 5,700	
Max. Torque (Nm / rpm)	395	395	265 / 4,000	
Brakes	Front	Ventilated discs		
	Rear	Solid discs		
Suspension	Front	MacPherson strut		
	Rear	Multi-link Type		
Tire	215/55R17		205/60R16	225/45R18
Vehicle Efficiency				
Efficiency	15.4 kWh / 100km	15.0 kWh / 100km	3.9 L / 100km	4.3 L / 100km
VES Band	A1		A2	
Dimensions				
Head room (mm) Front (w / Sunroof) / Rear	1,005 (965) / 957		1,005 (965) / 961	
Leg room (mm) Front / Rear	1,054 / 848		1,054 / 893	
Shoulder room (mm) Front / Rear	1,410 / 1,385		1,410 / 1,385	

- Komoco Motors Pte Ltd reserves the right to change specifications and equipment without prior notice.
- Please consult your dealer for full information and availability on colors and trims. Terms & conditions apply.



KOMOCO MOTORS PTE. LTD.

Showroom opens daily from 9am to 7pm

253 Alexandra Road Singapore 159936

T (65) 6475 8888 F (65) 6475 2928

www.hyundai.com.sg

Copyright © 2021 Komoco Motors Pte Ltd. All Rights Reserved.

HyundaiSingapore @hyundai_sg @hyundaissg

03/2021

KOMOCO SERVICE CENTRE
Monday to Friday
Saturday
Sunday & Public holidays

6473 5588
8.00am to 6.00pm
8.00am to 5.00pm
Closed

**KEMBANGAN SERVICE BRANCH
THOMSON SERVICE CENTRE**
Monday to Friday
Saturday
Sunday & Public holidays

**6440 1131
6844 8811**
8:00am to 5:30pm
8:00am to 12:30pm
Closed

24-HOUR EMERGENCY CONTACTS:
Roadside Service 9665 2653
Recovery Service 6272 2208

8 YEAR BATTERY WARRANTY

*Up to 160,000km.

5 YEAR UNLIMITED MILEAGE WARRANTY