



KOBALT® and the K & Design® are registered trademarks of LF, LLC. All rights reserved.

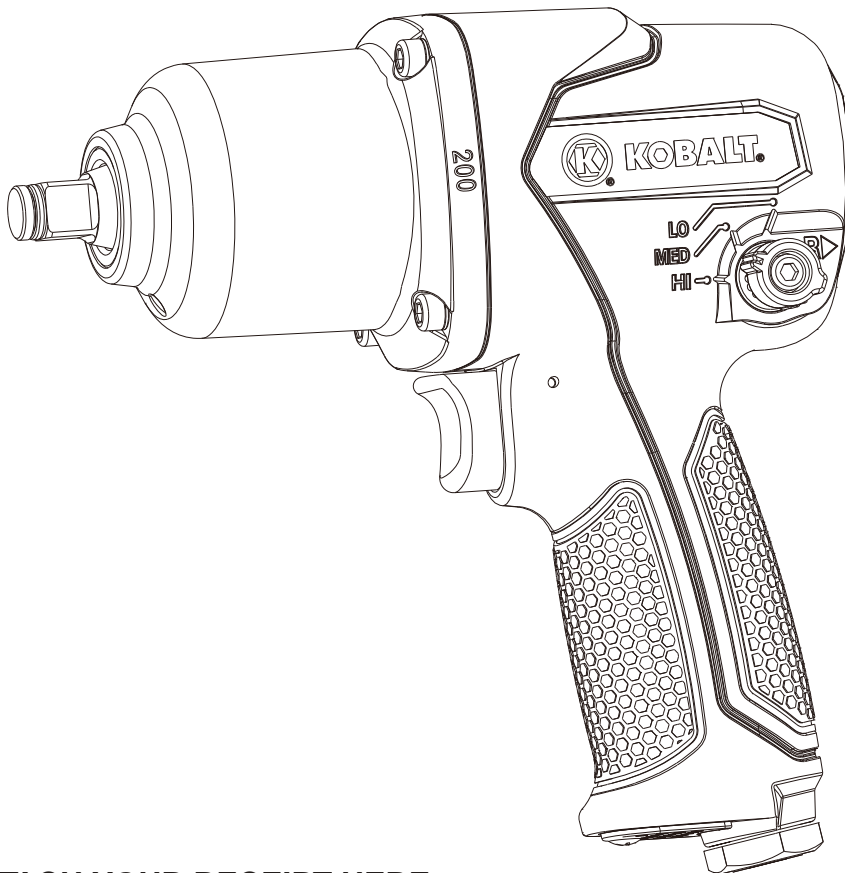
ITEM #0402536

3/8 IN. AIR IMPACT WRENCH

MODEL #SGY-AIR141

Français p. 15

Español p. 30



ATTACH YOUR RECEIPT HERE

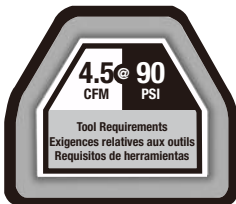
Serial Number _____ **Purchase Date** _____



Questions, problems, missing parts? Before returning to your retailer, call our customer service department at 1-888-3KOBALT, 8 a.m. - 8 p.m., EST Monday - Friday.

TABLE OF CONTENTS

Product Specifications	3
Safety Information	3
Package Contents	8
Preparation	9
Assembly Instructions	9
Operating Instructions	11
Care and Maintenance	12
Troubleshooting	13
Warranty	13
Replacement Parts List	14



IMPORTANT: To operate correctly, this tool requires airflow that is at least 4.5 cubic feet per minute (CFM) at 90 pounds per square inch (PSI). Check the specifications of your air compressor to be sure that it can support both the minimum CFM and PSI required. An air hose may cause up to 15 PSI drop in pressure, so you may need to set the output higher to maintain the required pressure at the tool.

IMPORTANT : Cet outil nécessite un débit d'air d'au moins 4,5 pi³ par minute à une pression de 90 lb/psi². Vérifiez les spécifications de votre compresseur d'air afin de vous assurer qu'il satisfait aux exigences minimales (pi³/min et lb/psi²). L'utilisation d'un tuyau à air peut entraîner une chute de pression de jusqu'à 15 lb/psi². Il peut donc s'avérer nécessaire d'augmenter la pression afin de maintenir un niveau adéquat.

IMPORTANTE: Para funcionar de manera correcta, esta herramienta requiere un flujo de aire de por lo menos 4,5 pies cúbicos por minutos (CFM por sus siglas en inglés) para 90 libras por pulgada cuadrada (PSI, por sus siglas en inglés). Revise las especificaciones de su compresora de aire para asegurarse de que puede soportar tanto los CFM como las PSI mínimas requeridas. Una manguera de aire comprimido puede causar una caída de hasta 15 PSI en la presión, de manera que puede necesitar configurar la potencia más alta para mantener la presión requerida en la herramienta.

PRODUCT SPECIFICATIONS

COMPONENT	SPECIFICATIONS
SQUARE DRIVE	3/8 IN.
FREE SPEED	10,000 RPM
MAXIMUM TORQUE	200 FT.-LBS.
AVERAGE AIR CONSUMPTION	5.8 CFM
AIR INLET	1/4 IN. NPT
AIR HOSE	3/8 IN.
WORKING PRESSURE	90 PSI

SAFETY INFORMATION

Please read and understand this entire manual before attempting to assemble, operate or install the product. If you have any questions regarding the product, please call customer service at 1-888-3KOBALT, 8:00 a.m.-8:00 p.m., EST, Monday-Friday.

WARNING

Improper operation or maintenance of this product could result in serious injury and property damage. Read and understand all warnings and operation instructions before using this equipment. When using air tools, basic safety precautions should always be followed to reduce the risk of personal injury.

WARNING

SOME DUST CREATED BY PAINT SPRAYING, POWER SANDING, SAWING, GRINDING, DRILLING, AND OTHER RELATED ACTIVITIES KNOWN TO THE STATE OF CALIFORNIA TO CAUSE CANCER, BIRTH DEFECTS, AND OTHER REPRODUCTIVE HARM. A LISTING OF CHEMICALS CAN BE OBTAINED FROM www.oehha.ca.gov UNDER PROPOSITION 65. SOME EXAMPLES OF THESE CHEMICALS ARE:

- LEAD FROM LEAD BASED PAINTS
- CRYSTALLINE SILICA FROM BRICKS, CEMENT AND OTHER MASONRY PRODUCTS
- ARSENIC AND CHROMIUM FROM CHEMICALLY TREATED LUMBER

YOUR RISK FROM THESE EXPOSURES VARIES, DEPENDING ON HOW OFTEN YOU DO THIS TYPE OF WORK. TO REDUCE YOUR EXPOSURE TO THESE CHEMICALS WORK IN A WELL VENTILATED AREA, AND WORK WITH APPROVED SAFETY EQUIPMENT, SUCH AS A RESPIRATOR OR DUST MASKS WHICH ARE SPECIALLY DESIGNED TO FILTER MICROSCOPIC PARTICLES.



SAFETY INFORMATION

⚠ WARNING RISK OF EYE OR HEAD INJURY

WHAT COULD HAPPEN	HOW TO PREVENT IT
<ul style="list-style-type: none"> • This particular air powered tool can be capable of propelling materials such as fasteners, metal chips, sawdust, and other debris at high speed which could result in serious injury. 	<ul style="list-style-type: none"> • Always wear ANSI approved z87.1 safety glasses with side shields. • Never leave operating tool unattended. Disconnect air hose when tool is not in use, and place in a safe area.
<ul style="list-style-type: none"> • Compressed air can be hazardous and propel objects and other particles that can cause injury to soft tissue areas of the body, such as eyes and ears. Particles or objects propelled by the stream can cause injury. 	<ul style="list-style-type: none"> • For additional protection use an approved face shield in addition to safety glasses.
<ul style="list-style-type: none"> • Tools attachments can become loose or break and fly apart propelling articles at the operator and others in the work area. 	<ul style="list-style-type: none"> • Make sure that any attachments are securely fastened and properly assembled before use. • Always use the tool at a safe distance from others in the work area and ensure the work area is safe at all times.

⚠ WARNING RISK OF LOSS OF HEARING

WHAT COULD HAPPEN	HOW TO PREVENT IT
<ul style="list-style-type: none"> • Exposure to noise produced from the operation of air tools can lead to permanent hearing loss. 	<ul style="list-style-type: none"> • Always wear ANSI S3.19 hearing protection.

⚠ WARNING RISK OF FIRE OR EXPLOSION

WHAT COULD HAPPEN	HOW TO PREVENT IT
<ul style="list-style-type: none"> • An impact wrench would be capable of generating sparks, which would result in ignition of flammable materials. 	<ul style="list-style-type: none"> • Never operate tools near flammable substances such as gasoline, naphtha, cleaning solvents, etc. • Work in a clean, well ventilated area free of combustible materials. • Never use oxygen, carbon dioxide or other bottled gasses as a power source for air tools.



SAFETY INFORMATION

⚠️ WARNING RISK OF ENTANGLEMENT

WHAT COULD HAPPEN	HOW TO PREVENT IT
<ul style="list-style-type: none"> Tools which contain moving elements, or drive other moving parts, such as impact sockets, can become entangled in hair, clothing, jewelry and other loose objects, resulting in severe injury. 	<ul style="list-style-type: none"> Do not wear loose clothing, jewelry, or anything that may get caught or tangled when using tool. Remove any jewelry which may be caught by the tool. Always keep hands and body parts away from moving parts Always wear proper fitted clothing and other properly fitted safety equipment when using this tool.

⚠️ WARNING RISK OF CUT OR BURNS

WHAT COULD HAPPEN	HOW TO PREVENT IT
<ul style="list-style-type: none"> An impact wrench is capable of causing serious injury if operated in an improper way, or used in a manner which is not intended for the tool. 	<ul style="list-style-type: none"> Keep the working part of the tool away from hands and body.

⚠️ WARNING RISK OF ELECTRIC SHOCK

WHAT COULD HAPPEN	HOW TO PREVENT IT
<ul style="list-style-type: none"> Using air tools to attached electrical wiring can result in electrical shock, electrocution, or death. 	<ul style="list-style-type: none"> Never use tools to attached electrical wiring while energized.
<ul style="list-style-type: none"> This tool is not provided with an insulated gripping surface. Contact with a “live” wire will also make exposed metal parts of the tool “live” and can result in electrical shock, electrocution or death. 	<ul style="list-style-type: none"> Avoid body contact with grounded surfaces such as pipes, radiators, refrigerators, and ranges. There is an increased risk of electrical shock if your body is grounded.
<ul style="list-style-type: none"> Air tools accessories such as impact sockets that come into contact with hidden electrical wiring could cause electrocution or death. 	<ul style="list-style-type: none"> Thoroughly investigate the work piece/area for possible hidden wiring before performing work.



SAFETY INFORMATION

⚠ WARNING RISK OF PERSONAL INJURY

WHAT COULD HAPPEN	HOW TO PREVENT IT
<ul style="list-style-type: none"> • A tool left unattended, or with the air hose attached, can be activated by unauthorized persons leading to their injury or injury to others. 	<ul style="list-style-type: none"> • Remove air hose when tool is not in use and store tool in secure location away from reach of children and untrained users.
<ul style="list-style-type: none"> • Air tools can propel fasteners or other materials throughout the work area. 	<ul style="list-style-type: none"> • Use only parts, fasteners and accessories recommended by the manufacturer. • Keep work area clean and free of clutter. Do not allow children to operate tool, and keep children away from the work area. • Keep work area well lit.
<ul style="list-style-type: none"> • Always make sure to remove the wrench key before operating. A wrench key that is left attached to a rotating part of the tool increases the risk of personal injury. 	<ul style="list-style-type: none"> • Remove adjusting keys and wrenches before turning the tool on.
<ul style="list-style-type: none"> • Using inflator nozzles for duster applications can cause serious injury. 	<ul style="list-style-type: none"> • DO NOT use inflator nozzles for duster applications.
<ul style="list-style-type: none"> • Air tools can become activated by accident during maintenance or tool changes. 	<ul style="list-style-type: none"> • Remove air hose to lubricate or add impact sockets to the tool. • Never carry the tool by the air hose. • Always carry the tool by the handle. • Avoid unintentional starting. Never carry the tool with the trigger depressed or engaged. • Only an authorized service representative should do repair servicing.
<ul style="list-style-type: none"> • Air tools can cause the workpiece to move upon contact, leading to injury. 	<ul style="list-style-type: none"> • Use clamps or other devices to prevent movement.
<ul style="list-style-type: none"> • Loss of control of the tool can lead to injury to self or others in the work area. 	<ul style="list-style-type: none"> • Before changing accessories, when making repairs, or when tool is not in use, always first shut off air supply and release / drain air pressure from hose. Then disconnect tool from air supply or hose and store in a safe location. • Never use the tool while using drugs or alcohol.



SAFETY INFORMATION

⚠ WARNING RISK OF PERSONAL INJURY

WHAT COULD HAPPEN	HOW TO PREVENT IT
<ul style="list-style-type: none"> • Loss of control of the tool can lead to injury to self or others in the work area. 	<ul style="list-style-type: none"> • Keep proper footing at all times. Do not overreach, as slipping, tripping, and or falling can be a major cause of serious injury and or death. Be aware of excess air hose and power plugs in the working area or work surface. • Keep handles dry, clean and free from oil/grease. • Stay alert. Watch what you are doing. Use common sense. Do not operate tool when you are tired.
<ul style="list-style-type: none"> • Poor quality, improper or damaged tools and attachments can fly apart during operation, propelling particles through the work area causing serious injury. 	<ul style="list-style-type: none"> • Always use tools attachments rated for the speed of the power tool. • Never use tools, which have been dropped, impacted, or are damaged. • Use only impact grade sockets with this tool. • Do not apply excessive force to the tool; let the tool perform the work. • Never use a tool that is leaking air, has missing or damaged parts, or requires repairs.
<ul style="list-style-type: none"> • Improperly maintained tools and accessories can cause serious injury. 	<ul style="list-style-type: none"> • Maintain the tool and accessories with care. • Keep tools clean properly oiled for best and safest performance.
<ul style="list-style-type: none"> • There is a risk of bursting if the tool is damaged. 	<ul style="list-style-type: none"> • Check for misalignment or binding of moving parts, breakage of parts and any other condition that affects the tool's operation. If damaged, have the tool serviced before using. • Wiping or cleaning rags and other flammable waste materials that may have been used on tool must be placed in a tightly closed metal container, and disposed of in a proper manner.

! SAFETY INFORMATION

! WARNING RISK OF PERSONAL INJURY

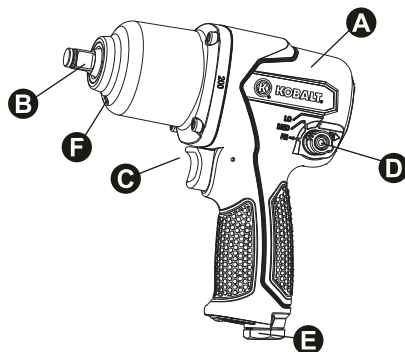
WHAT COULD HAPPEN	HOW TO PREVENT IT
<ul style="list-style-type: none"> • There is a risk of bursting if the tool is damaged. 	<ul style="list-style-type: none"> • Follow lubrication instructions for best and safest operation. • Follow assembly and repair instructions on how to properly change accessories.
<ul style="list-style-type: none"> • Use of an accessory not intended for use with the specific tools increases the risk of injury to operator and anyone the work area. 	<ul style="list-style-type: none"> • Use of an accessory not intended for use with the specific tools increases the risk of injury to persons.

! WARNING INHALATION HAZARD

WHAT COULD HAPPEN	HOW TO PREVENT IT
<ul style="list-style-type: none"> • Abrasive tools, such as grinders, sanders and cut-off tools generate dust and abrasive materials, which can be harmful to human lungs and respiratory system. 	<ul style="list-style-type: none"> • Always wear properly fitting facemask or respirator when using such tools.
<ul style="list-style-type: none"> • Some materials such as adhesives and tar contain chemicals whose vapors could cause serious injury with prolonged exposure. 	<ul style="list-style-type: none"> • Always work in a clean, dry, well-ventilated area.

PACKAGE CONTENTS

PART	DESCRIPTION	QUANTITY
A	3/8 in. Air Impact Wrench	1
B	Anvil	1
C	Trigger	1
D	Torque Setting Switch	1
E	Air Inlet	1
F	Weep Hole	1



PREPARATION

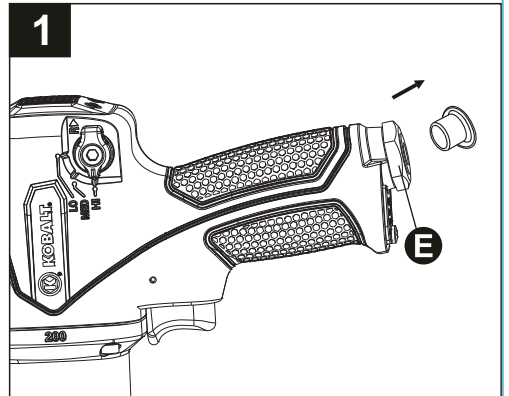
Before beginning assembly of product make sure all parts are present. Compare parts with packaging contents list and diagram above. If any part is missing or damaged, do not attempt to assemble the product. Contact the 1-800 customer service number for replacement parts.

Estimated Assembly Time: 5-10 minutes

Tools Required for Assembly (not included): Adjustable wrench

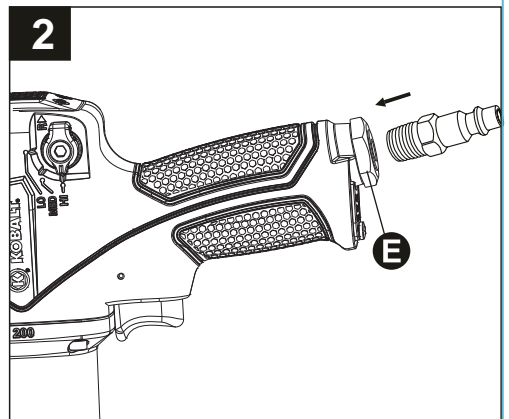
ASSEMBLY INSTRUCTIONS

1. Remove the air inlet protective cap from the air inlet (E). (See Figure 1)

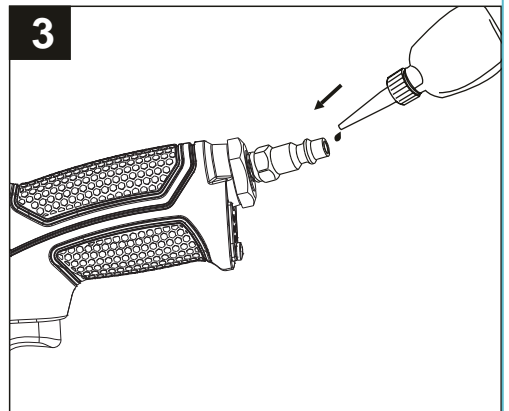


2. Mount a male plug (not included) by hand into the air inlet (E). (See Figure 2)

NOTE Use thread sealant tape (not included) on the male plug and tighten it with a wrench (not included) for airtight connection. Do not overtighten.



3. Place 2 - 3 drops of air tool oil (not included) into the male plug before each use. (See Figure 3)



ASSEMBLY INSTRUCTIONS

4. Choose the correct impact socket (not provided) as needed and mount it onto the anvil (B). (See Figure 4)

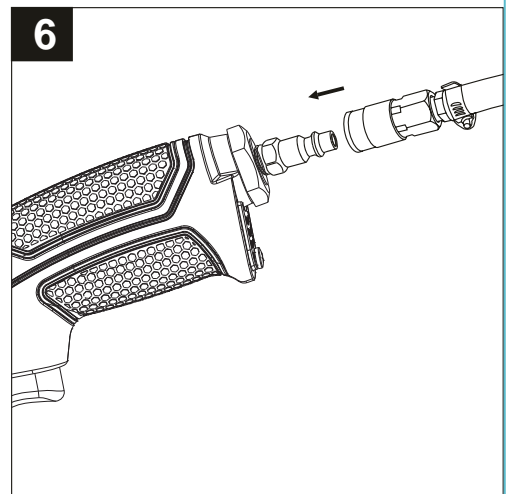
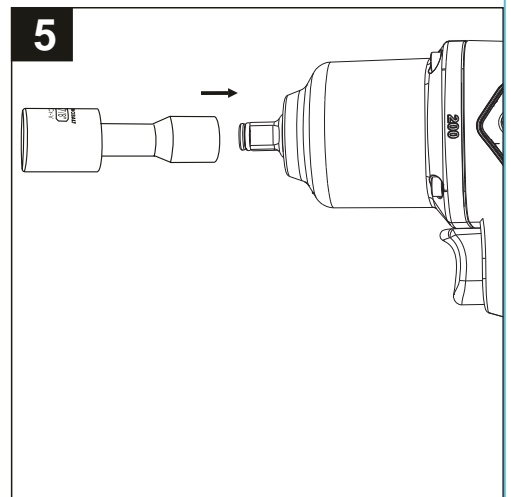
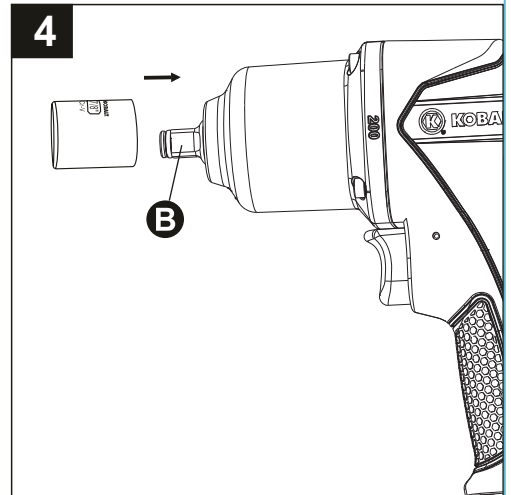
⚠WARNING

Only use impact sockets that have an RPM rating equal to or greater than the tool itself.

5. If longer reach is necessary, use an extension bar (not provided) and then mount impact socket (not provided) onto the bar. (See Figure 5)

6. Connect air supply hose (not provided) to the male plug (not provided). Set the working pressure at 90 PSI for best tool performance. (See Figure 6)

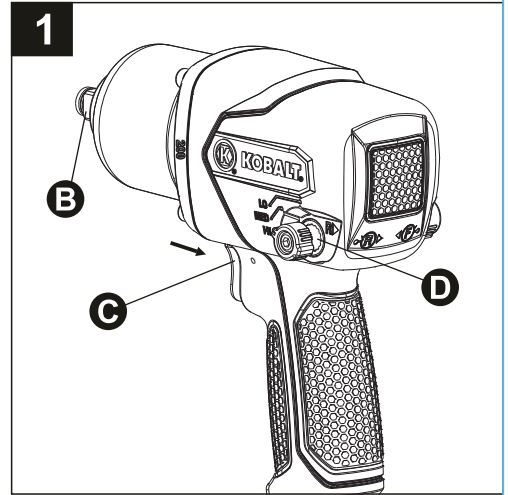
NOTE Working pressure refers to the air line pressure set to tool when tool is under working conditions.



OPERATING INSTRUCTIONS

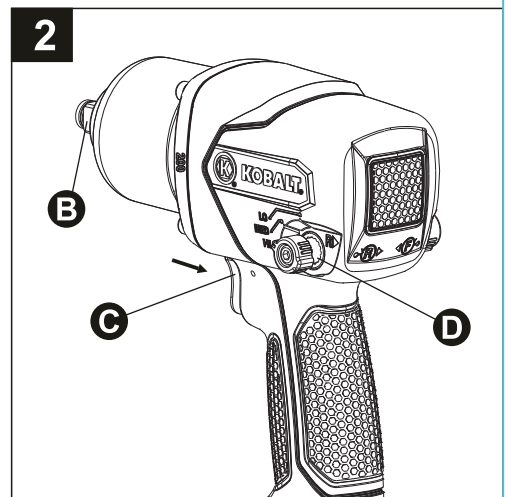
1. How to install/tighten threaded fasteners.

Turn torque setting switch (part D) from right to left to desired torque setting and press trigger (part C) to engage. The tool anvil (part B) runs clockwise. (See Figure 1)



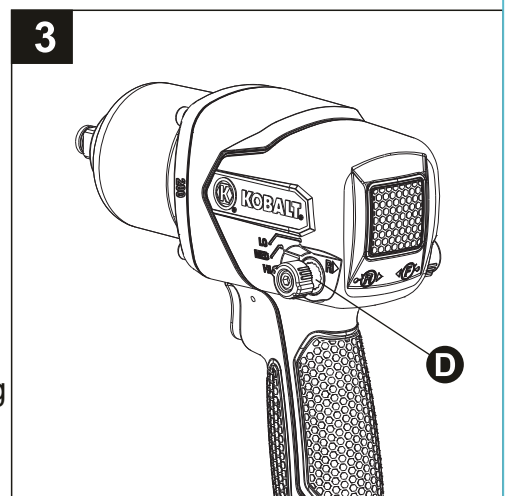
2. How to install/tighten threaded fasteners.

Turn torque setting switch (part D) from left to right to desired torque setting and press trigger (part C) to engage. The tool anvil (part B) runs counterclockwise. (See Figure 2)



Setting	Torque in Forward	Torque in Reverse
LO Click	100 ft-lbs (+/-10%)	180 ft-lbs (+/-10%)
MED Click	180 ft-lbs (+/-10%)	200 ft-lbs (+/-10%)
HI Click	200 ft-lbs (+/-10%)	220 ft-lbs (+/-10%)

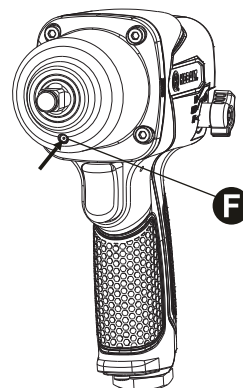
NOTE This tool features a power regulator valve. When turn the torque setting switch (D) slowly forward, the sound of clicks will be detected. The clicks do not denote a specific power output but are only for reference. When the switch arrow points to “Lo”, it stands for the least amount of power, which is suitable for just mounting threaded fasteners. When the switch arrow points to “Hi”, it stands for the most amount of power, which is for tightening threaded fasteners from workpiece with ease. In reverse, the tool also has the function of gear, which is suitable for removing screws of different specifications. Please choose the appropriate torque needed on the workpiece. (See figure 3)



OPERATING INSTRUCTIONS

NOTE This tool features a weep hole (part F) on the front protective cover. The weep hole (part F) allows excess air to be released from the impact wrench automatically while still lubricating the tool when the proper lubrication instructions are followed. (See figure 4)

4



CARE AND MAINTENANCE

An in-line oiler is not provided however recommended to be installed to the air supply line to increase tool life and keep the tool in sustained operation. The in-line oiler should be regularly checked and filled with air-tool oil. Proper adjustment of the in-line oiler is performed by placing a sheet of paper next to the tool's exhaust ports and holding the throttle open approximately 30 seconds. The in-line oiler is properly set when a light stain of oil collects on the paper. Excessive amounts of oil should be avoided.

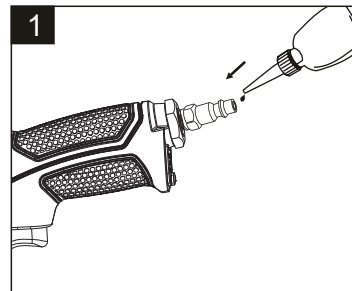
In the event that it becomes necessary to store the tool for an extended period of time, it should receive a generous amount of lubrication before storing the item. The tool should be run for approximately 30 seconds to ensure oil has been evenly distributed throughout the tool. The tool should be stored in a clean and dry environment.

Recommended lubricants: For proper care and maintenance use 3 drops of air tool oil, or any other high-grade turbine oil containing moisture absorbent, rust inhibitors, metal wetting agents and an EP (extreme pressure) additive (not included). (See Figure 1)

Clean the tool all over with a cotton rag after each use.

Storing

- Impact Wrench must be well cleaned and lightly lubricated
- Store Impact Wrench in a dry and safe place out of reach of children



TROUBLESHOOTING

PROBLEM	POSSIBLE CAUSE	CORRECTIVE ACTION
Tool runs slowly or will not operate	<ol style="list-style-type: none"> 1. Grit or gum in tool. 2. No oil in tool. 3. Low air pressure. 4. Air hose leaks. 5. Pressure drops. 6. Worn rotor blade. 7. Moisture blowing out of tool exhaust. 	<ol style="list-style-type: none"> 1. Flush the tool with air-tool oil or gum solvent. 2. Lubricate the tool. 3. Adjust the regulator on the tool to maximum setting. Adjust the compressor regulator to tool maximum of 90 PSI. 4. Tighten and seal hose fittings if leaks are found. Use sealing tape. 5. Be sure the hose is the proper size. Long hose or tools using large volumes of air may require a hose with an I.D. of 1/2 in. or larger depending on the total length of the hoses. Do not use a multiple number of hoses connected together with quick-connect fittings. This causes additional pressure drops and reduces the tool power. Directly connect the hoses together. 6. Replace rotor blade. 7. Water in tank; drain tank. (See air compressor manual). Oil tool and run until no water is evident. Oil tool again and run 1-2 seconds.

THREE-YEAR LIMITED WARRANTY

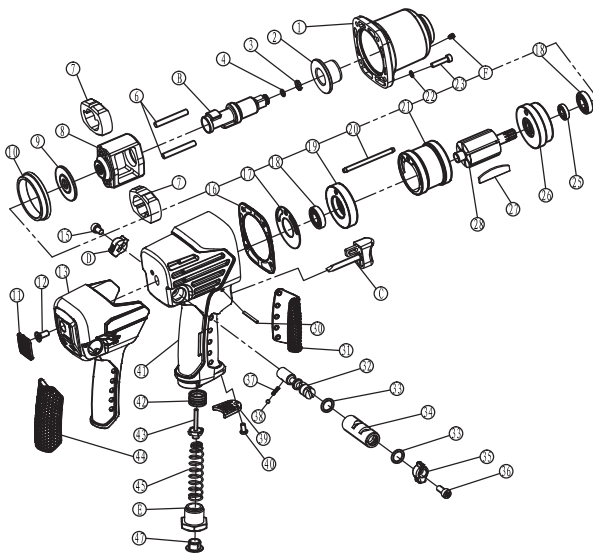
This tool is warranted by the manufacturer to the original purchaser from the original purchase date for three (3) years subject to the warranty coverage described herein. This tool is warranted to the original user to be free from defect in material and workmanship. If you believe that a tool is defective, return the tool, with proper proof of purchase to the point of purchase. If it is determined that the tool is defective and covered by this warranty, the distributor will replace the tool or refund the purchase price.

This warranty is void if: defects in materials or workmanship or damages result from repairs or alterations which have been made or attempted by others or the unauthorized use of nonconforming parts; the damage is due to normal wear, damage is due to abuse (including overloading of the tool beyond capacity), improper maintenance, neglect or accident; or the damage is due to the use of the tool after partial failure or use with improper accessories or unauthorized repair or alteration. This warranty gives you specific legal rights, and you may also have other rights that vary from state to state.

For warranty questions, call our customer service department at 1-888-3KOBALT, 8:00 a.m.-8:00 p.m. EST, Monday-Friday.

REPLACEMENT PARTS LIST

For replacement parts, call our customer service department at 1-888-3KOBALT, 8:00 a.m.-8:00 p.m., EST, Monday-Friday.



Part NO.	Description	Qty.
1	Protector cover	1
2	Anvil bushing	1
3	Socket retainer	1
4	O-ring 4.5 x 1.3	1
B	Anvil	1
6	Hammer pin	2
7	Hammer	2
8	Hammer cage	1
9	Washer	1
10	Hammer case pilot	1
11	Soft grip	1
12	Screw M5 x 12	1
13	Housing cover	1
D	Torque setting switch	1
15	Screw M5 x 8	1
16	Hammer case gasket	1
17	Gasket	1
18	Bearing R6	2
19	Rear end plate	1
20	Cylinder Dowel	1
21	Cylinder	1
22	Spring washer 4	4
23	Screw M4 x 18	4
F	Grease cap	1

Part NO.	Description	Qty.
25	Rotor oil seal	1
26	Front end plate	1
27	Rotor blade	6
28	Rotor	1
C	Trigger	1
30	Pin 2.5 x 25	1
31	Soft grip	1
32	Reverse valve	1
33	O-ring 10.6 x 1.8	2
34	Reverse valve bushing	1
35	Reverse valve knob II	1
36	Screw M5 x 12	1
37	Spring	1
38	Detent ball sw=3.175	1
39	Air deflector	1
40	Screw M4 x 8	1
41	Housing	1
42	Throttle valve bushing	1
43	Valve stem	1
44	Soft grip	1
45	Reverse valve spring	1
E	Air inlet	1
47	Dust cover	1

Printed in China

kobalttools.com 