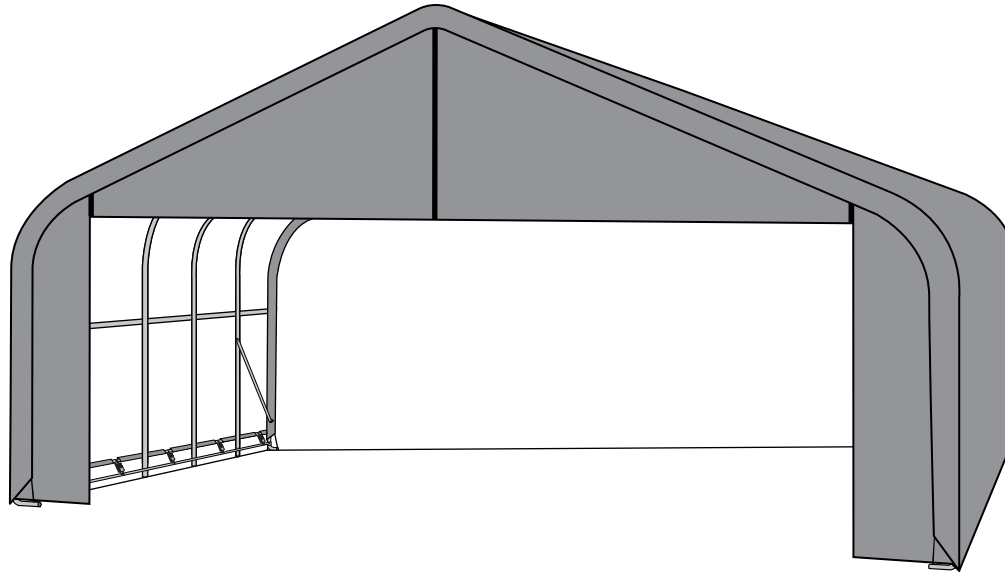


30'W x 16' or 20'H Peak Style Shelter Frame Assembly Instructions

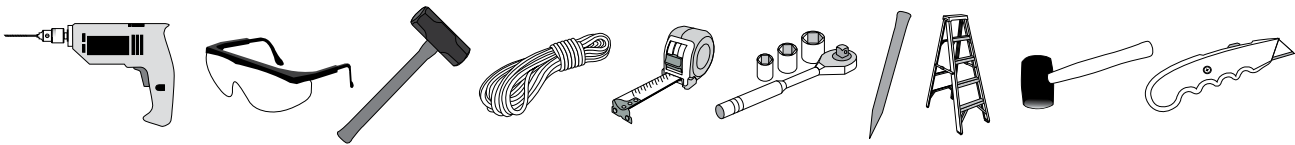


FOR SIZES:

30' W. x 16' H.

30' W. x 20' H.

RECOMMENDED TOOLS



Please read instructions **COMPLETELY** before assembly. This shelter **MUST** be securely anchored.
THIS IS A TEMPORARY STRUCTURE AND NOT RECOMMENDED AS A PERMANENT STRUCTURE.

Before you start: 3+ individual recommended for assembly. Assembly time is dependent upon the size of your building. Allow approximately 15 minutes for every foot in building length.


ShelterLogic[®]
150 Callender Road
Watertown, CT 06795
www.shelterlogic.com

1-800-524-9970

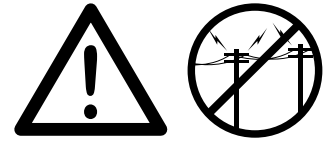
Canada:
1-800-559-6175

ATTENTION:

This shelter product is manufactured with quality materials. It is designed to fit the **ShelterLogic®**, LLC custom fabric cover included. **ShelterLogic®**, LLC Shelters offer storage and protection from damage caused by sun, light rain, tree sap, animal - bird excrement and light snow. Please anchor this **ShelterLogic®**, LLC structure properly. See manual for more anchoring details. Proper anchoring, keeping cover tight and free of snow and debris is the responsibility of the consumer. Please read and understand the installation detail, warnings and cautions prior to beginning installation. If you have any questions call the customer service number listed below. Please refer to the warranty card inside this package.

DANGER:

Prior to installation, consult with all local municipal codes regarding installation of temporary shelters. Choose the location of your shelter carefully. **DANGER: Keep away from electrical wires.** Check for overhead utility lines, tree branches or other structures. Check for underground pipes or wires before you dig. DO NOT install near roof lines or other structures that could shed snow, ice or excessive run off onto your shelter. DO NOT hang objects from the roof or support cables.



WARNING:

Risk of fire. DO NOT smoke or use open flame devices (including grills, fire pits, deep fryers, smokers or lanterns) in or around the shelter. DO NOT store flammable liquids (gasoline, kerosene, propane, etc.) in or around your shelter. Do not expose top or sides of the shelter to open fire or other flame source.



CAUTION:

Use **CAUTION** when erecting the frame. Use safety goggles during installation. Secure and bolt together overhead poles during assembly. Beware of pole ends.

PROPER ANCHORING AND INSTALLATION OF FRAME:

PROPER ANCHORING OF THE FRAME IS THE RESPONSIBILITY OF THE CONSUMER.

ShelterLogic®, LLC is not responsible for damage to the unit or the contents from acts of nature. Any shelter that is not anchored securely has the potential to fly away causing damage, and is not covered under the warranty. Periodically check the anchors to ensure stability of shelter. **ShelterLogic®**, LLC cannot be responsible for any shelter that blows away. **NOTE:** *Your shelter's cover can be quickly removed and stored prior to severe weather conditions.* If strong winds or severe weather is forecast in your area, we recommend removal of cover.

REPLACEMENT PARTS, ASSEMBLY, SPECIAL ORDERS:

Genuine **ShelterLogic®**, LLC replacement parts and accessories are available from the factory, including anchoring kits for nearly any application, replacement covers, wall and enclosure kits, vent and light kits, frame parts, zippered doors and other accessories. All items are shipped factory direct to your door.

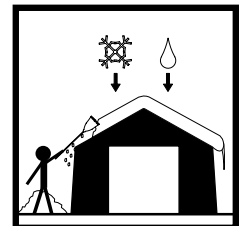
QUESTIONS - CLAIMS - SPECIAL ORDERS? CALL OUR CUSTOMER SERVICE HOTLINE:

U.S. CUSTOMER SERVICE: 1-800-524-9970 INTERNATIONAL CUSTOMER SERVICE: 001-860-945-6442 CANADA CUSTOMER SERVICE: 1-800-559-6175

HOURS OF OPERATION: MON-FRI 8:30AM-8:00PM EST, SAT-SUN 8:30AM-5:00PM EST.

CARE AND CLEANING:

A tight cover ensures longer life and performance. Always maintain a tight cover. Loose fabric can accelerate deterioration of cover fabric. Immediately remove any accumulated snow or ice from the roof structure with a broom, mop or other soft-sided instrument. Use extreme caution when removing snow from cover- always remove from outside the structure. DO NOT use hard-edged tools or instruments like rakes or shovels to remove snow. This could result in punctures to the cover. DO NOT use bleach or harsh abrasive products to clean the fabric cover. Cover is easily cleaned with mild soap and water.



WARRANTY:

This shelter carries a full limited warranty against defects in workmanship. **ShelterLogic®**, LLC warrants to the Original Purchaser that if properly used and installed, the product and all associated parts, are free from manufacturer's defects for a period of:

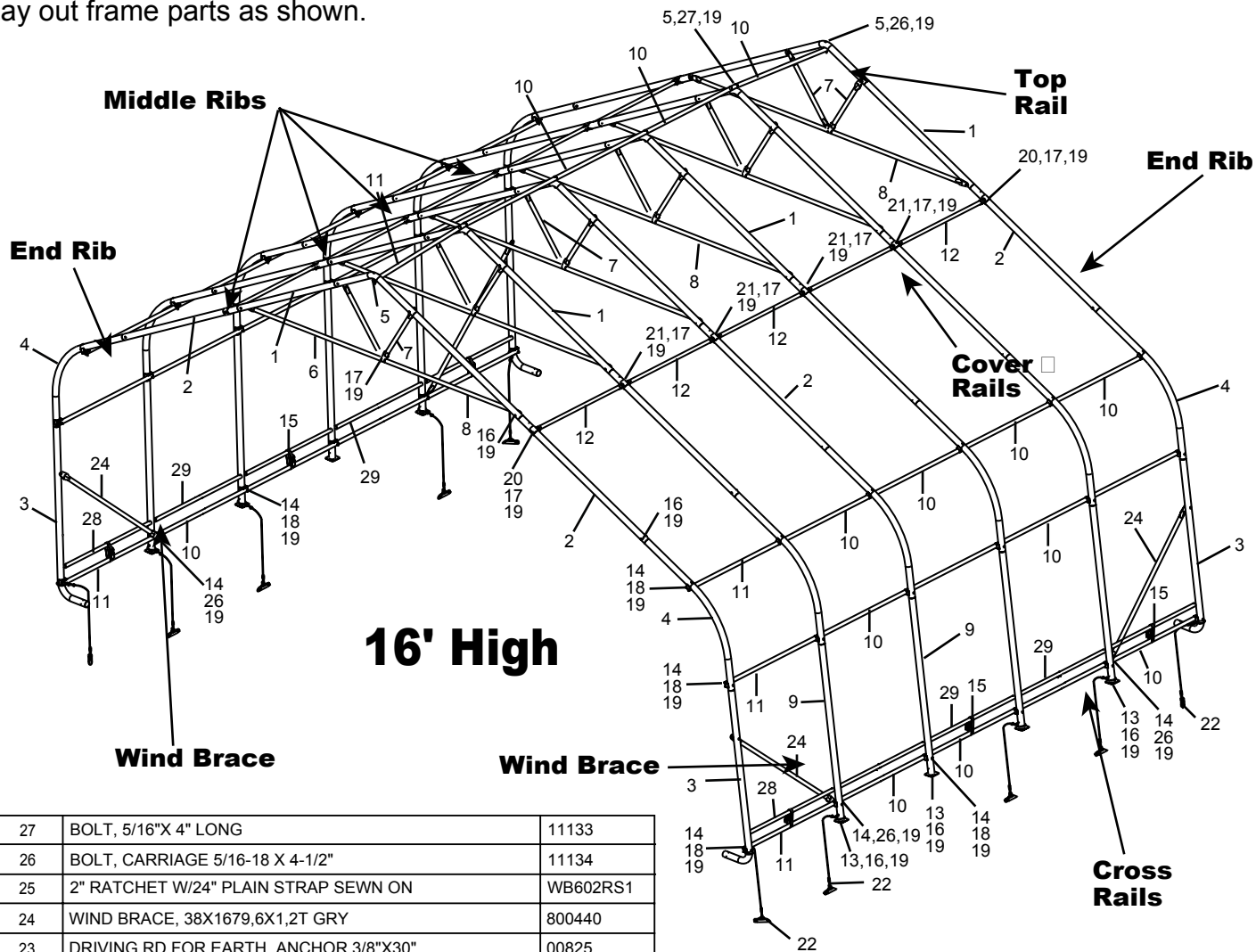
1 YEAR FOR COVER FABRIC, END PANELS AND FRAMEWORK

Warranty period is determined by date of shipment from **ShelterLogic®**, LLC for factory direct purchases or date of purchase from an authorized reseller, (please save a copy of your purchase receipt). If this product or any associated parts are found to be defective or missing at the time of receipt, **ShelterLogic®**, LLC will repair or replace, at it's option, the defective parts at no charge to the original purchaser. Replacement parts or repaired parts shall be covered for the remainder of the Original Limited Warranty Period. All shipping costs will be the responsibility of the customer. Parts and replacements will be sent C.O.D. You must save the original packaging materials for shipment back. If you purchased from a local dealer, all claims must have a copy of original receipt. After purchase, please fill out and return warranty card for product registration. Please see warranty card for more details.

30'W x 16' or 20'H Peak Style Frame Assembly 10B163

Please read and understand instructions completely before assembly.

Lay out frame parts as shown.



16' High

27	BOLT, 5/16"X 4" LONG	11133
26	BOLT, CARRIAGE 5/16-18 X 4-1/2"	11134
25	2" RATCHET W/24" PLAIN STRAP SEWN ON	WB602RS1
24	WIND BRACE, 38X1679,6X1,2T GRY	800440
23	DRIVING RD FOR EARTH ANCHOR 3/8"X30"	00825
22	ANCHOR, EARTH 1-5/8" PIPE, SMALL	00828
21	4 WAY COVER RAIL CLAMP	11107
20	3 WAY COVER CLAMP	11106
19	NUT, HEX 5/16-18"	00690
18	BOLT, CARRIAGE 5/16-18 X 4-1/8"	800454
17	BOLT, CARRIAGE, 5/16"X 2-1/4"LONG	11130
16	BOLT, CARRIAGE 5/16-18 X 2-3/4"	11131
15	1" RATCHET W/24" PLAIN STRAP SEWN ON	WB601RS24
14	SHELTERLOCK ANTI-LOCK DEVICE 60X38MM	800372
13	FOOT, WELDED FOR 2-3/8 PIPE	800859
12	COVER RAIL 45" PLAIN ENDS 2 HOLES	11105
11	CROSS RAIL PLAIN END 2H, 48-1/2"X1-3/8"	11104
10	CROSS RAIL SWEDGED, 50-1/2" X 1 3/8"DIA	11102
9	UPRIGHT, 60X1949.5X2.6T SWG 3H GRY	800436
8	TRUSS BRACE, SWG 38X1866,7X1,2T [71-3/16 H-H]	800390
7	TRUSS BRACE, 38X828X1,2T, [32-5/8 H-H] GRY	800391
6	TRUSS BRACE, PLAIN 38X1808X1,2T GRY	800389
5	TOP CREST, 60X1151,3X2.6T 3H GRY	800383
4	SIDE BEND, 60X1866X2,6T SWG 3 H GRY	800386
3	LEG BEND, 60 X1949,4X2,6T SWG 4H GRY	800435
2	RAFTER PIPE, 60X1885,9X2,6T SWG 3H GRY	800385
1	RAFTER, 60X1600X2,6T SWG 2H GRY	800384
ITEM NO.	DESCRIPTION	PART NO.

29	BOTTOM CROSS RAIL, SWEDGED	802050
28	BOTTOM CROSS RAIL	802051

**ATTENTION:
FOR MISSING OR
REPLACEMENT PARTS
OR QUESTIONS,
PLEASE CONTACT**

**CUSTOMER SERVICE:
1.800.524.9970
CANADA 1.800.559.6175**

ShelterLogic™

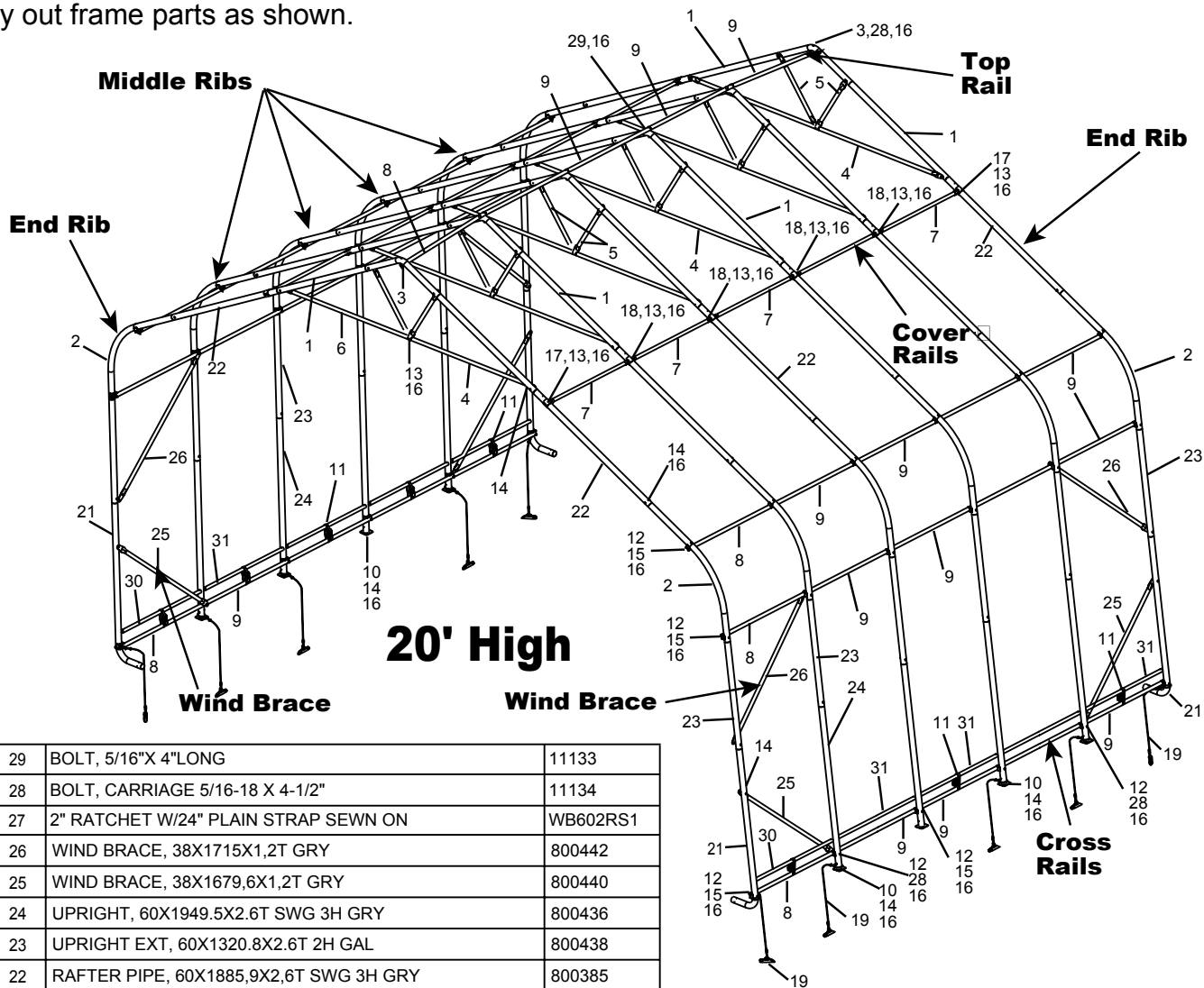
www.shelterlogic.com

**150 Callender Road
Watertown, CT 06795**

30'W x 16' or 20'H Peak Style Frame Assembly 10B163

Please read and understand instructions completely before assembly.

Lay out frame parts as shown.



29	BOLT, 5/16"X 4"LONG	11133
28	BOLT, CARRIAGE 5/16-18 X 4-1/2"	11134
27	2" RATCHET W/24" PLAIN STRAP SEWN ON	WB602RS1
26	WIND BRACE, 38X1715X1,2T GRY	800442
25	WIND BRACE, 38X1679,6X1,2T GRY	800440
24	UPRIGHT, 60X1949.5X2.6T SWG 3H GRY	800436
23	UPRIGHT EXT, 60X1320.8X2.6T 2H GAL	800438
22	RAFTER PIPE, 60X1885,9X2,6T SWG 3H GRY	800385
21	LEG BEND, 60 X1949,4X2,6T SWG 4H GRY	800435
20	DRIVING RD FOR EARTH ANCHOR 3/8"X30"	00825
19	ANCHOR, EARTH 1-5/8" PIPE, SMALL	00828
18	4 WAY COVER RAIL CLAMP	11107
17	3 WAY COVER CLAMP	11106
16	NUT, HEX 5/16-18	00690
15	BOLT, CARRIAGE 5/16-18 X 4 1/8"	800454
14	BOLT, CARRIAGE, 5/16"X 2-3/4"LONG	11131
13	BOLT, CARRIAGE 5/16-18 X 2 1/4"	11130
12	SHELTERLOCK ANTI-LOCK DEVICE 60X38MM	800372
11	1" RATCHET W/24" PLAIN STRAP SEWN ON	WB601RS24
10	FOOT, WELDED FOR 2-3/8 PIPE	800859
9	CROSS RAIL SWEDGED, 50-1/2" X 1 3/8"DIA	11102
8	CROSS RAIL PLAIN END 2H, 48-1/2"X1-3/8"	11104
7	COVER RAIL 45" PLAIN ENDS 2 HOLES	11105
6	TRUSS BRACE, SWG 38X1866,7X1,2T [71-3/16 H-H]	800390
5	TRUSS BRACE, 38X828X1,2T, [32-5/8 H-H] GRY	800391
4	TRUSS BRACE, PLAIN 38X1808X1,2T GRY	800389
3	TOP CREST, 60X1151,3X2,6T 3H GRY	800383
2	SIDE BEND, 60X1866X2,6T SWG 3 H GRY	800386
1	RAFTER, 60X1600X2,6T SWG 2H GRY	800384
ITEM	DESCRIPTION	PART NO.

31	BOTTOM CROSS RAIL, SWEDGED	802050
30	BOTTOM CROSS RAIL	802051

**ATTENTION:
FOR MISSING OR
REPLACEMENT PARTS
OR QUESTIONS,
PLEASE CONTACT**

**CUSTOMER SERVICE:
1.800.524.9970
CANADA 1.800.559.6175**



www.shelterlogic.com

150 Callender Road
Watertown, CT 06795

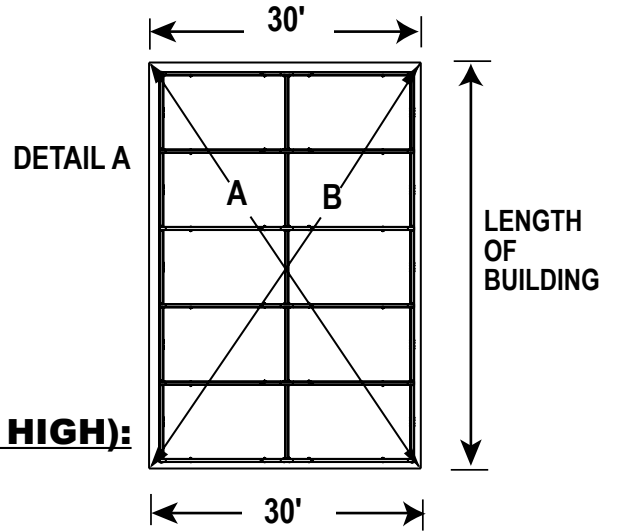
BASIC FRAME ASSEMBLY

NOTE FOR FRAME EXTENSION KIT: 30' x 20' x 16' is the base frame dimension. Your model may have more middle ribs than shown in the illustrations. You will receive one extra rib for every extra 4 feet of building length that you purchase. The basic frame assembly will remain the same. The cover will be the correct size for the length of the building ordered.

1. PLOTTING AND SQUARING UP THE FRAME:

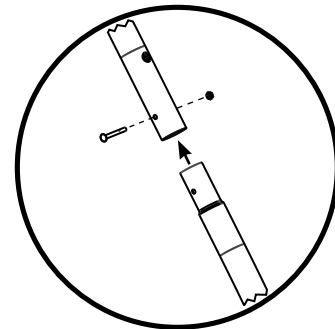
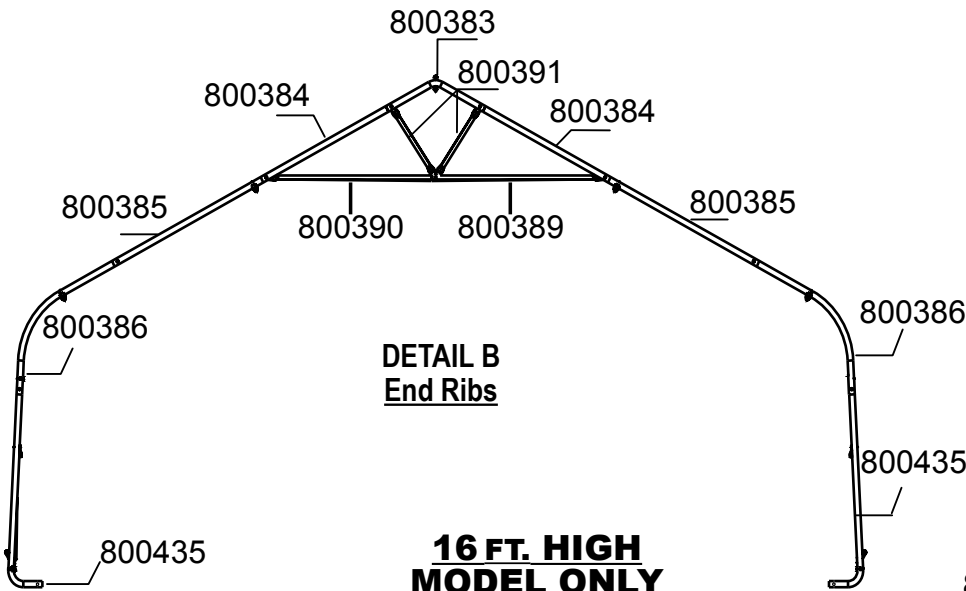
A. Before building your shelter, you should choose a flat area on your property and plot your shelter. Stake out the area for the frame in the desired spot. Check that it measures 26' in width and the length would be determined by the size shelter you purchased. Tie a rope diagonally from corner to corner.

B. Measure across area, end to opposite end. See Detail A. The measurement A and B should be equal.



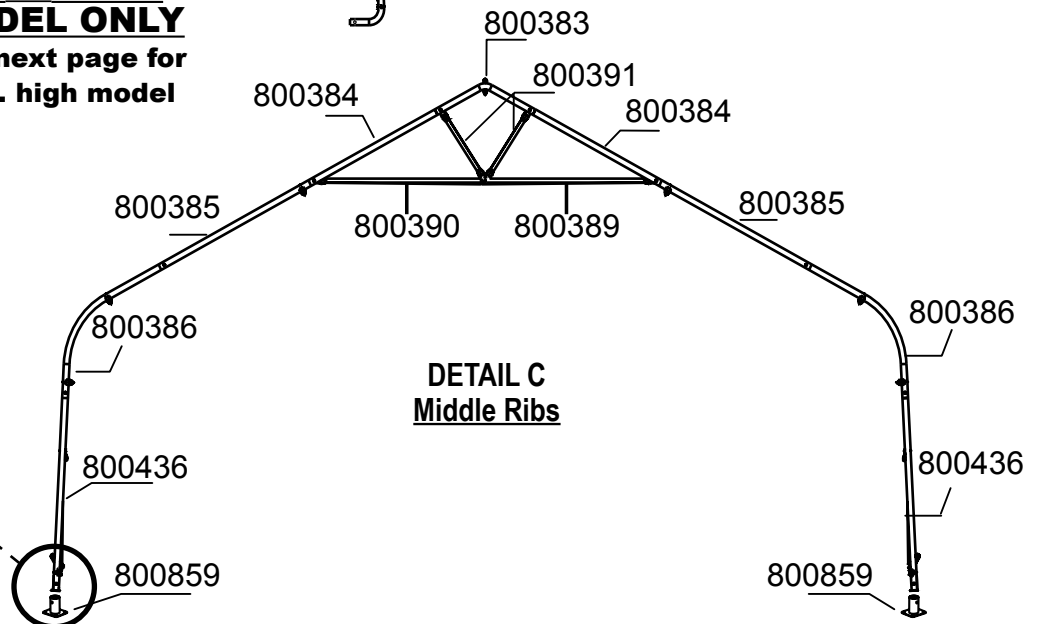
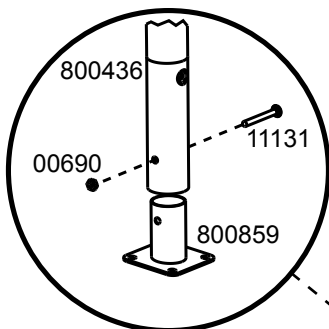
2a. ASSEMBLE END AND MIDDLE RIBS (16 FT. HIGH):

Assemble end and middle ribs as shown in Detail B and Detail C. Securely fasten all of the joints with the hardware indicated.



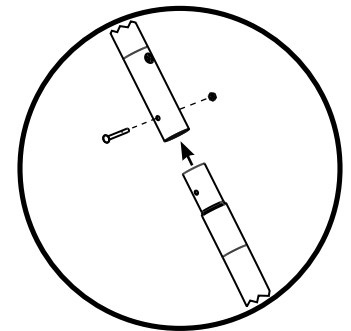
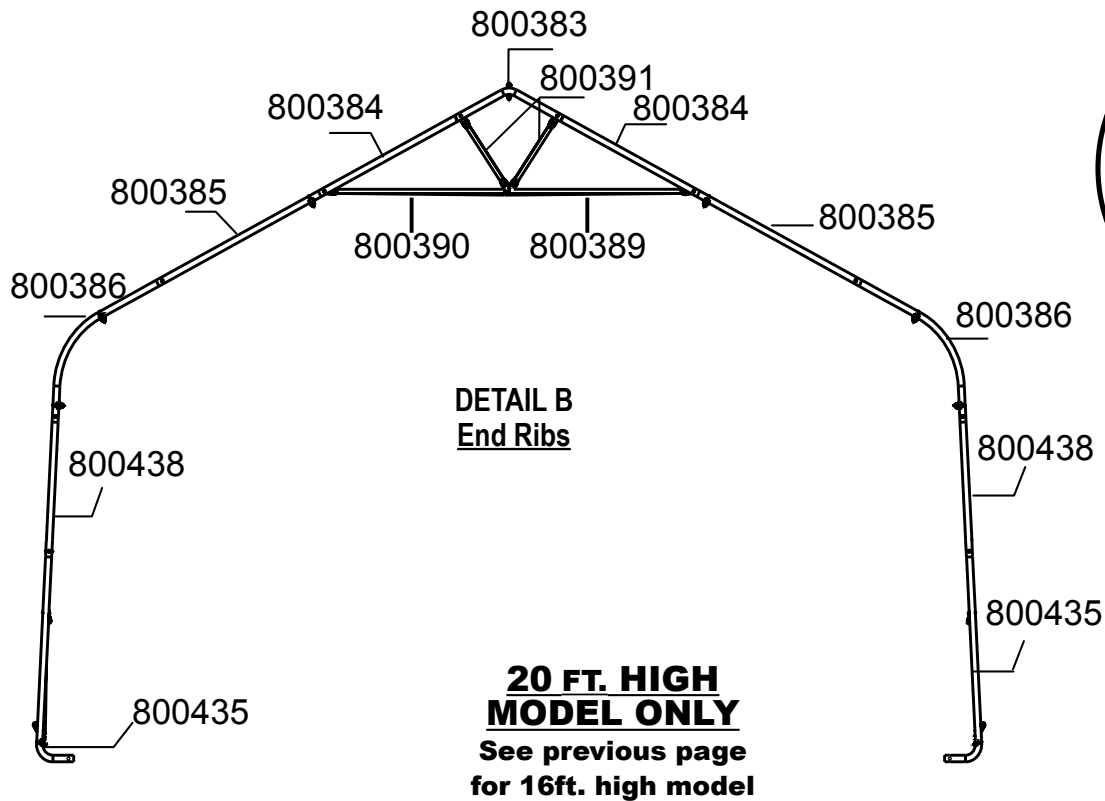
**#11131
2 3/4" Bolt
All Connections**

**16 FT. HIGH
MODEL ONLY**
See next page for
20ft. high model

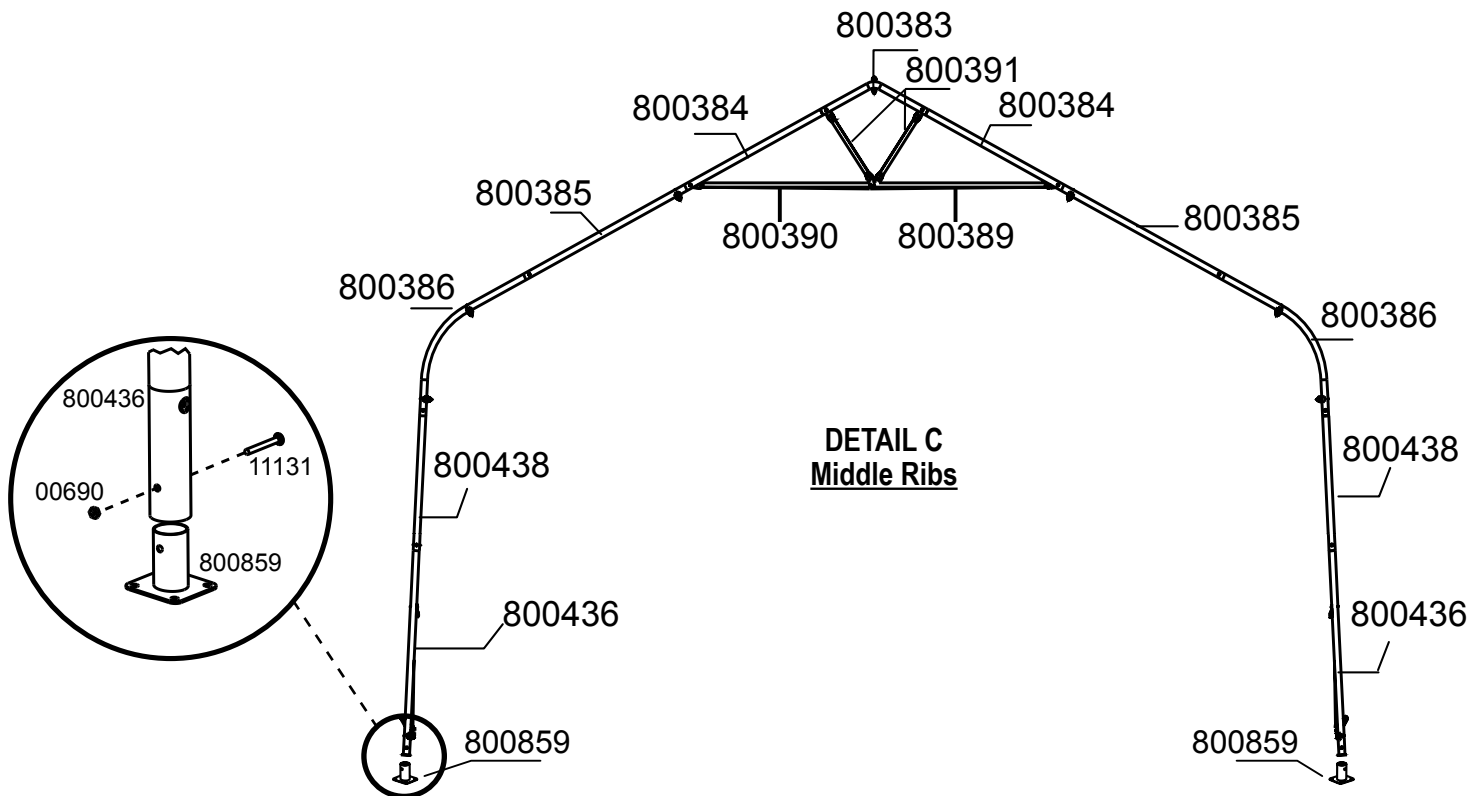


2b. ASSEMBLE END AND MIDDLE RIBS (20 FT. HIGH):

Assemble end and middle ribs as shown in Detail B and Detail C.
Securely fasten all of the joints with the hardware indicated.



#11131
2 3/4" Bolt
All Connections

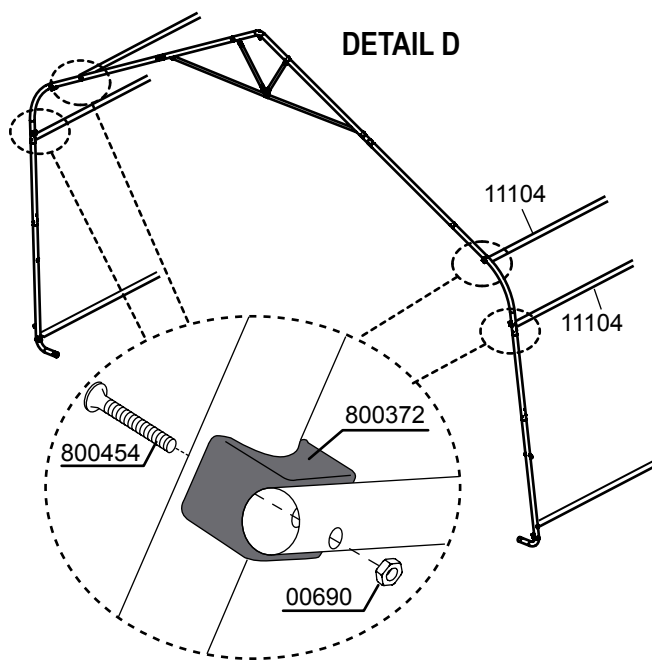


3. INSTALL SIDE RAILS AND SHELTERLOCK™ STABILIZER BLOCKS:

A. Place assembled first end rib in the staked area. Place the ShelterLock™ on the upright as shown in Detail D. From the outside of the rib insert the bolt through the upright and then through the ShelterLock™.

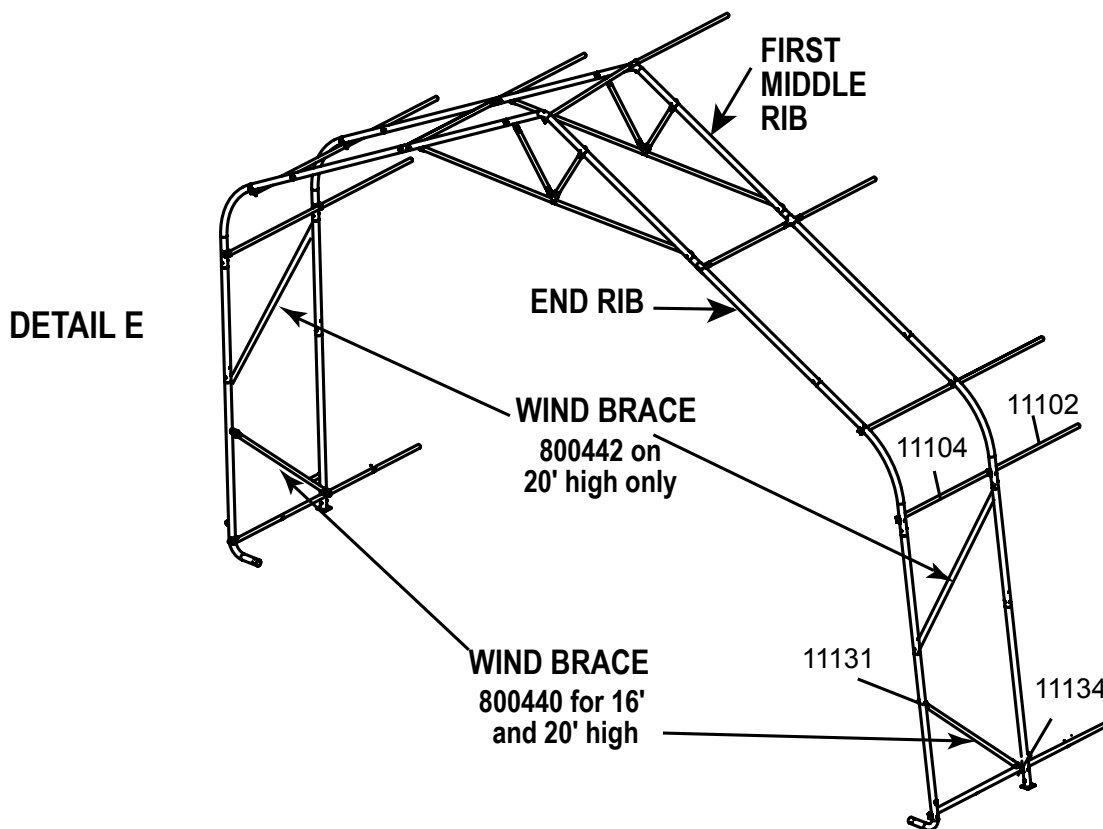
B. Place the plain end of the side rail over the bolt and nest it into the ShelterLock™. Install the nut onto the bolt and tighten. Repeat these steps for the opposite side and all of the remaining ribs. The side rails for the last rib will have two plain ends.

NOTE: Sliding Cover Rail (11105) should be attached to frame after Step 9, once cover is installed. See Step 10.



4. INSTALL WIND BRACES:

Attach wind brace between the end rib and the first middle rib as shown in Detail E. Bolts attached at the cross rails should be inserted facing inside the shelter.

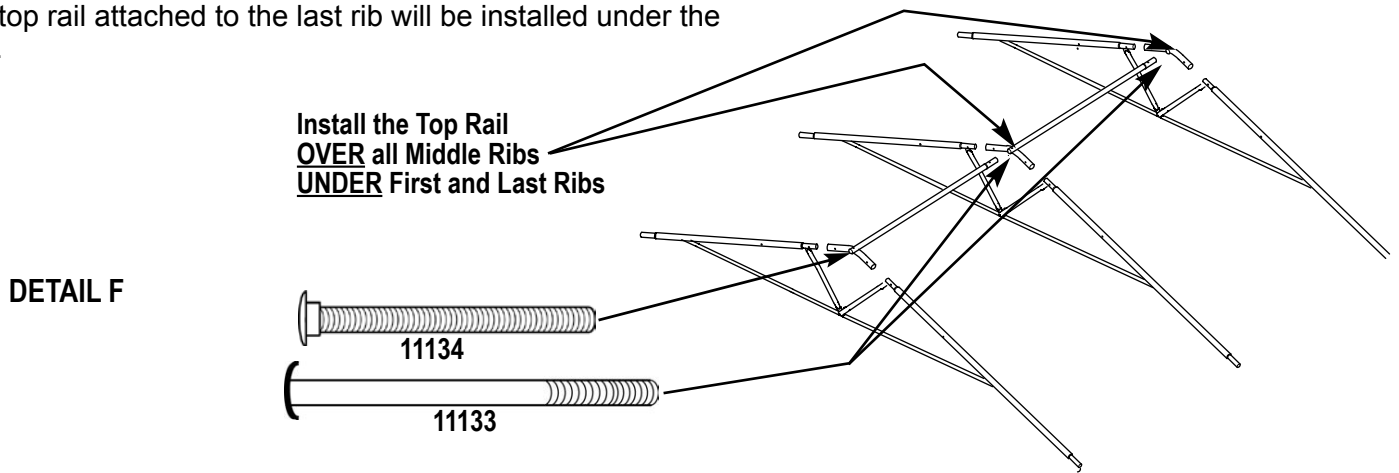


5. INSTALL TOP RAIL:

Place the first top rail under each end rib and secure it with a bolt as shown in Detail F.

The same cross rail should lay on top all of the middle ribs. Secure the rails to the frame with the hardware indicated in Detail F.

The top rail attached to the last rib will be installed under the pipe.



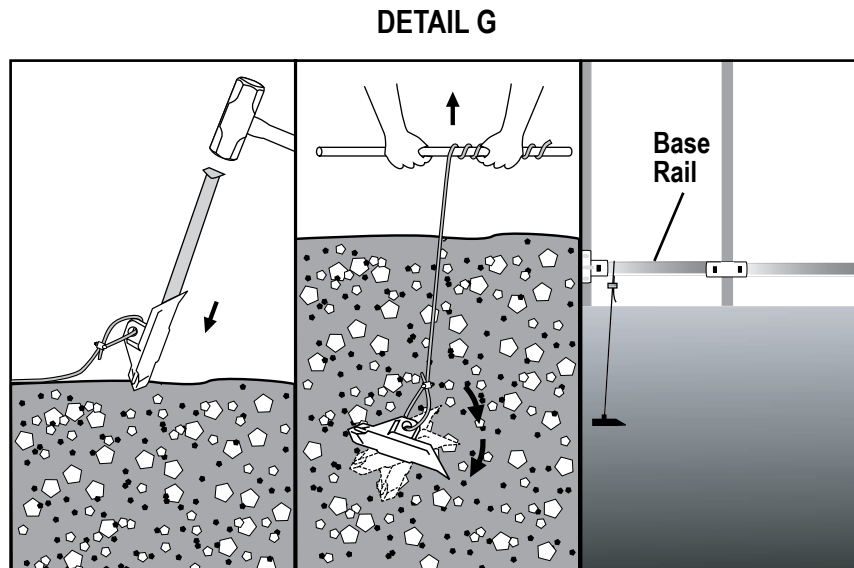
6. INSTALL EASY-HOOK EARTH ANCHORS:

A. The anchors should be positioned at the four corners and the remaining should be spaced evenly on both sides of the shelter.

B. Using the provided steel driving rod and a sledge hammer, drive each anchor into the ground leaving approximately 8 inches of cable exposed above the surface.

C. Remove the driving rod, insert it through the loop of the cable and pull up on the cable to set the anchor.

D. After the anchors are firmly set, wrap the cable around the base rail and clamp (10016). Be sure to remove all slack from cable. See Detail G.



7. END DOOR PANEL INSTALLATION

- A.** Hold end panel at the top center with white inner surface facing inside of the shelter. (If you purchased the white cover, the inner face has the visible weld seams.) Wrap the edges of the fabric panel around the end rib.
- B.** Disconnect top rail (the horizontal pipes that run from front to back along the top) from the end rib. Pull the webbing (the black strap) below the cross rail. Attach top cross rail to end rib.
- C.** Remove the nut from the side rail and carefully pull the side rail away from the ShelterLock™ (pull away only enough to pass the webbing through the connection). **If this connection has the wind brace on it remove the wind brace end before pulling the side rail.** Replace the cross rail and wind brace. Replace the nut and tighten. Repeat this on the other side. See Detail H.
- D.** At the bottom, where the webbing exits the pocket on each side of end panel, pull webbing to remove the slack. **Be careful not to pull the webbing through the other side of the webbing pocket.**

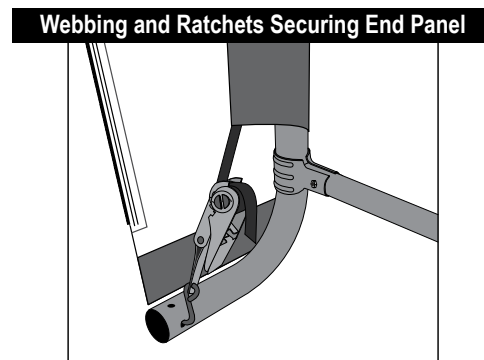
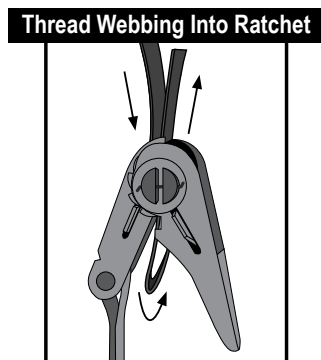
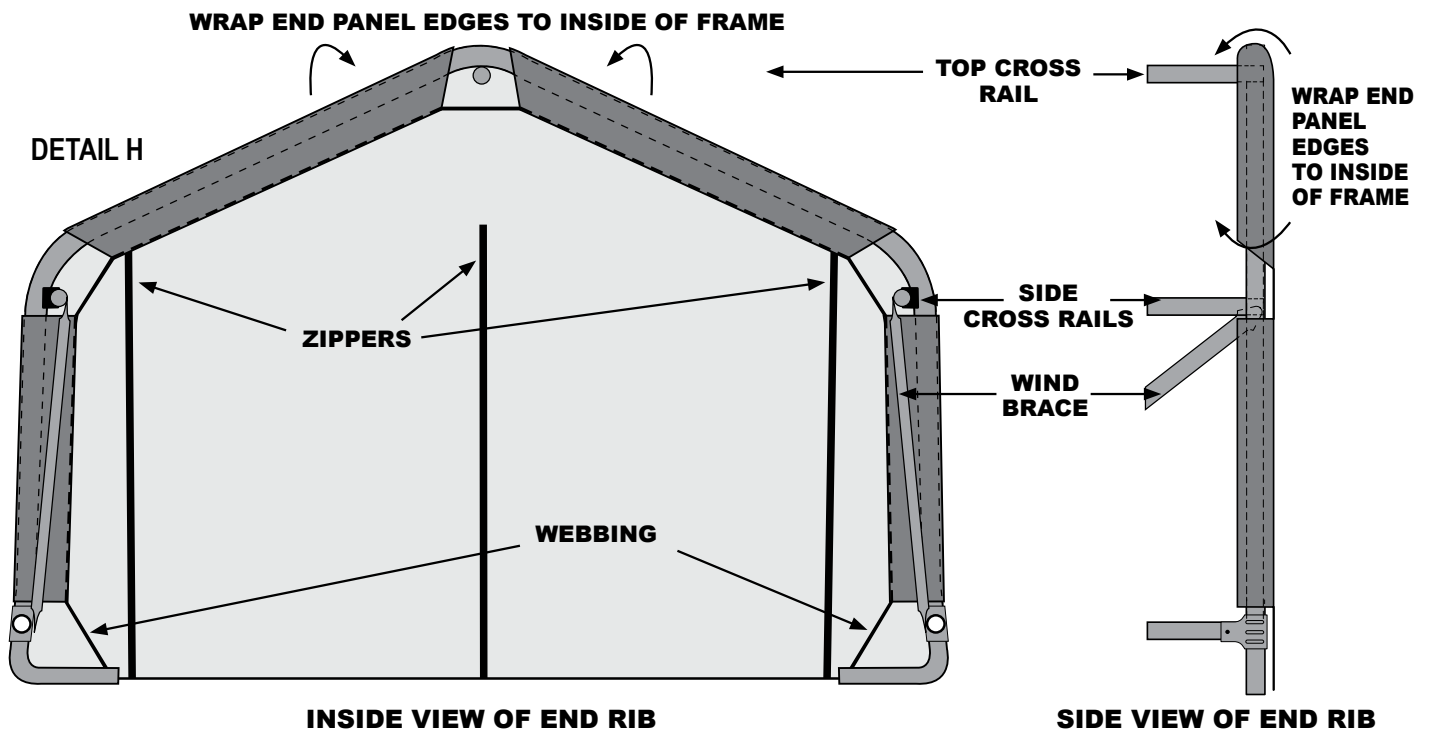
NOTE: Do Not insert any pipes into these pockets.

- E.** Insert the “S”- Hook on ratchet into hole on the leg bend. Insert the webbing into the spindle of the ratchet and pull tight. Wind the ratchet so that the webbing overlaps itself.

Position the end panel so that it is centered on the building before fully tightening the end panel.

- F.** Tighten ratchets, alternating from one side to the other, until the end panel is centered and tight (Detail I).

NOTE: Keep Zippers closed when tightening end panels.



DETAIL I

8. INSTALLING THE COVER ON THE FRAME:

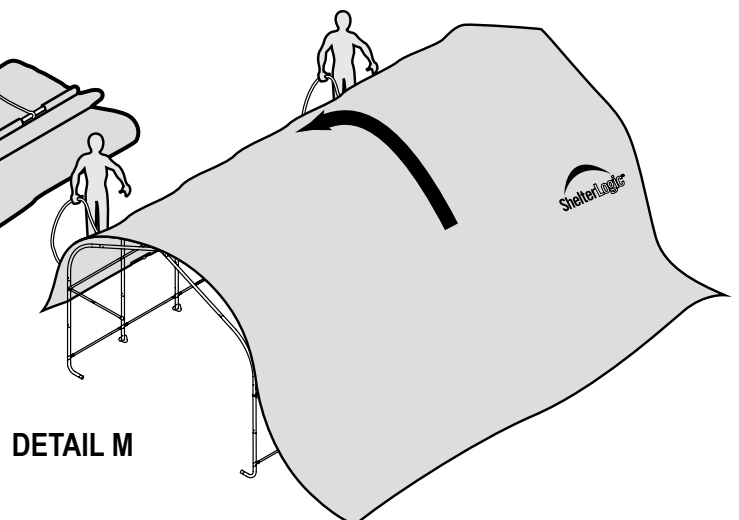
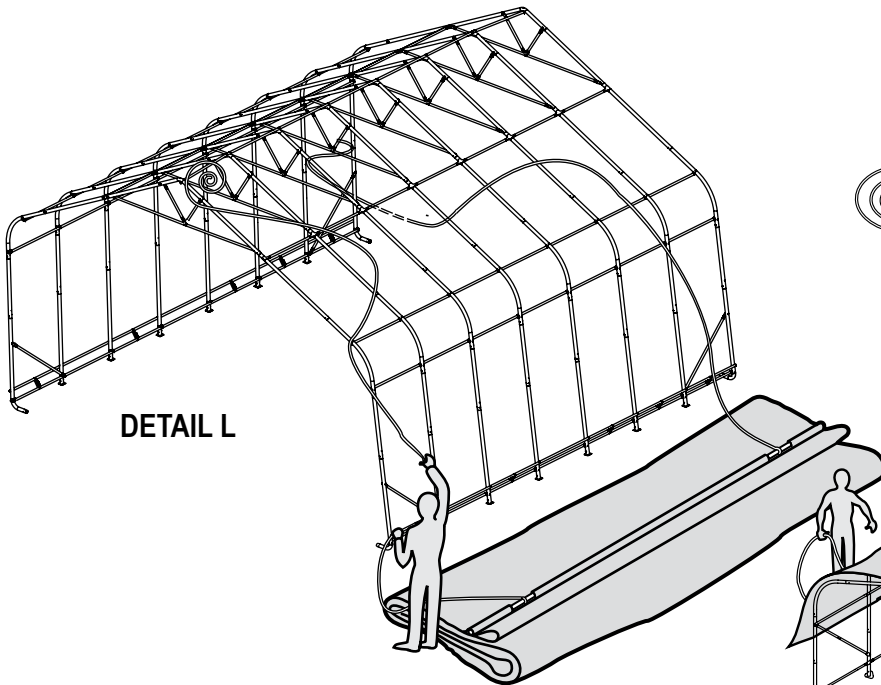
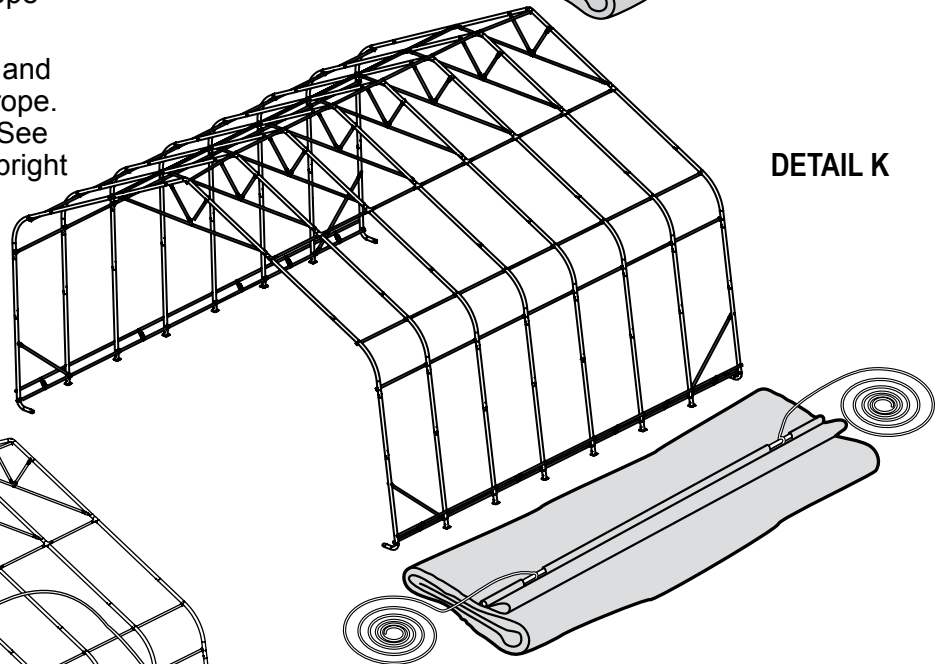
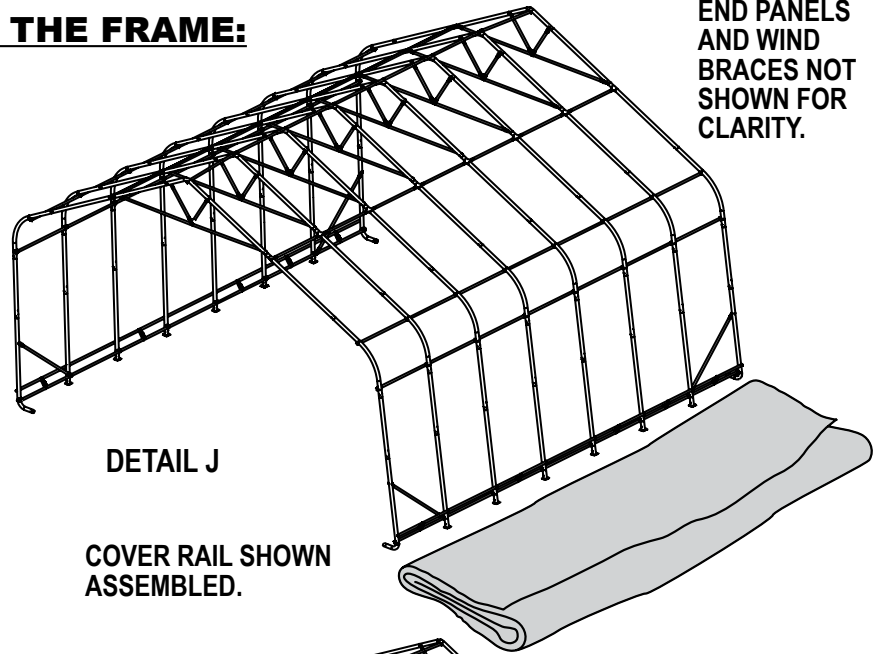
A. Lay the cover on the ground next to the frame with the inside of the cover (the side with the pipe pockets) facing down and the webbing on the front and rear of the corner of the building. Position the cover so that it is centered on the frame, front to back. See Detail J.

B. Fold over the side so the pipe pocket is now accessible. Insert a cover pipe into the pipe pocket slot, at the first middle rib from the front and the first middle rib from the rear. Some of the pipe will be exposed. For long buildings it may be necessary to use additional pipes in the middle. See Detail K. Remove pocket pipe to install later.

C. Tie the rope on each of the exposed pipes and throw the other end of the rope over the frame. See Detail L.

D. Move to the other side of the frame and pull the cover over the frame with the rope. This may require two or more people. See Detail M. Check that the Logo reads upright as shown.

END PANELS
AND WIND
BRACES NOT
SHOWN FOR
CLARITY.



NOTE: CHECK THAT YOUR COVER IS CORRECTLY PLACED ON THE FRAME.

The ShelterLogic® logo should line up on the left front and right rear corners near the top rail. If the logo is not legible, the cover has not been put on the frame correctly.

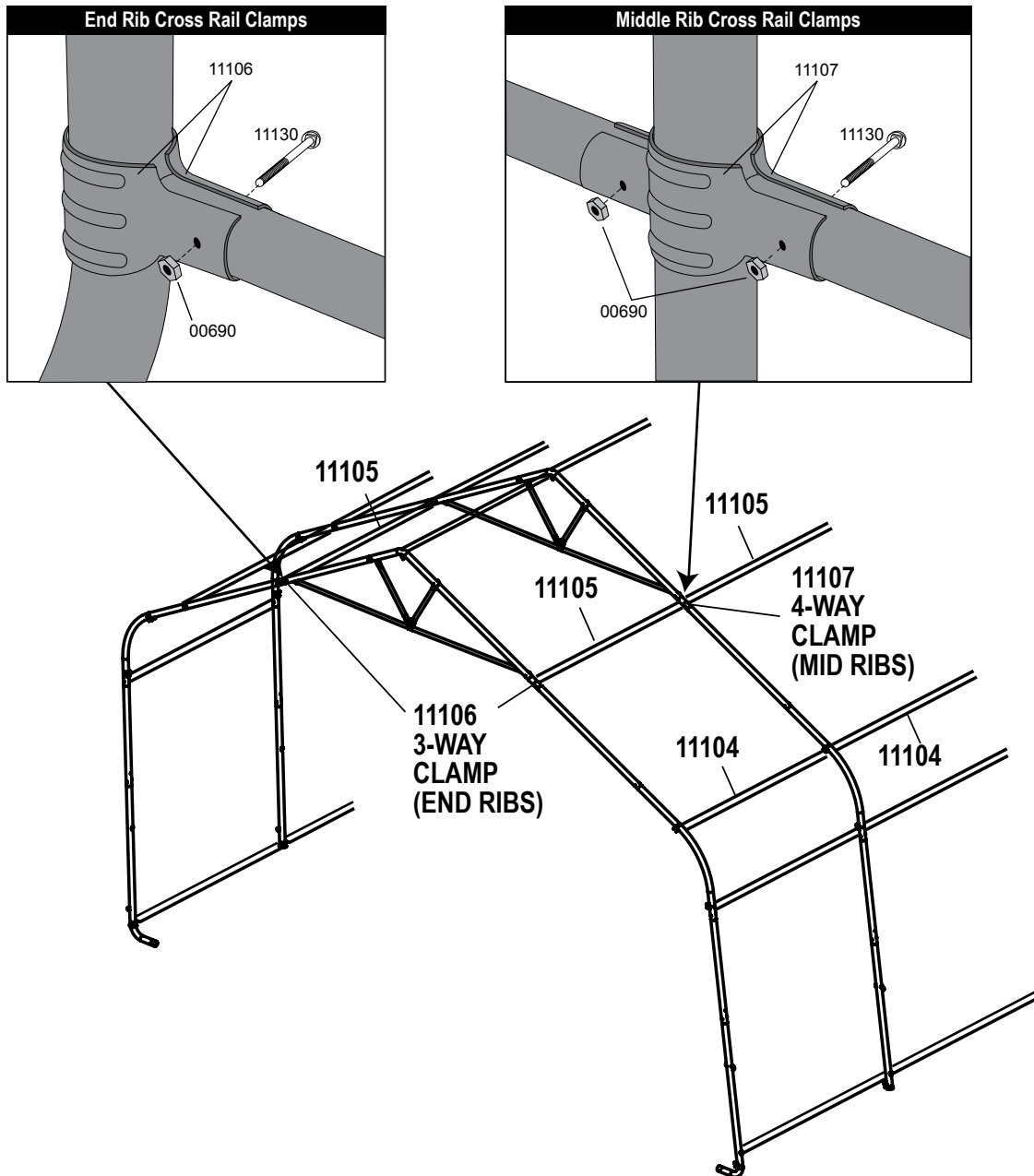
9. SLIDING COVER RAIL ASSEMBLY:

- A. After cover is installed and centered on frame, Insert PN (11105) Sliding cover rail into pocket on cover top.
- B. Inside slits/pockets in cover top, bolt 3 and 4 Way Clamps, cover and cover rail together and in to place on the frame. See Detail N.

NOTE: Round head of carriage bolts should be touching cover.

- C. On end panels look for open slit and insert clamps inside shelter.
- D. Pull cover top tight and tighten bolts.

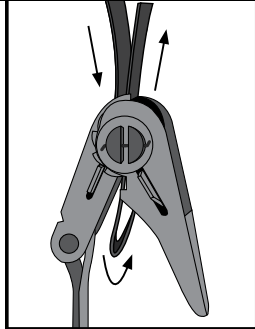
DETAIL N



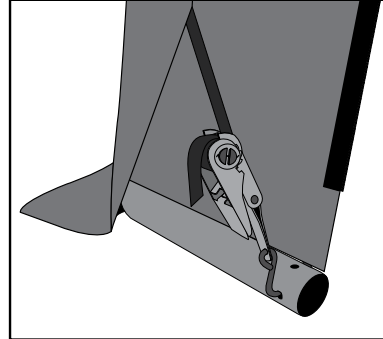
10. SECURING YOUR COVER:

- A. Insert the “S”- Hook on ratchet into hole on the leg bend. Insert the webbing into the spindle of the ratchet and pull tight. Wind the ratchet so that the webbing overlaps itself.
- B. Insert the webbing end through the spindle of the ratchet and pull tight. See Detail P. Wind the ratchet until the webbing overlaps itself. Repeat these steps on the opposite side, then repeat this on the back side of the shelter.
- C. When all of the corners are secured, adjust the cover front to back so that it is centered. When the cover is centered, tighten all of the ratchets. Do this in an “X” pattern to be sure it is tightened evenly. See Detail O.
- D. Install the bottom cover rails (11102 and 11104) by inserting them into the pipe pockets on each side of the cover. A 6” opening allows webbing to wrap around cover rail and base rail to secure cover. Tighten webbing using ratchet as shown in Detail P.

Thread Webbing Into Ratchet



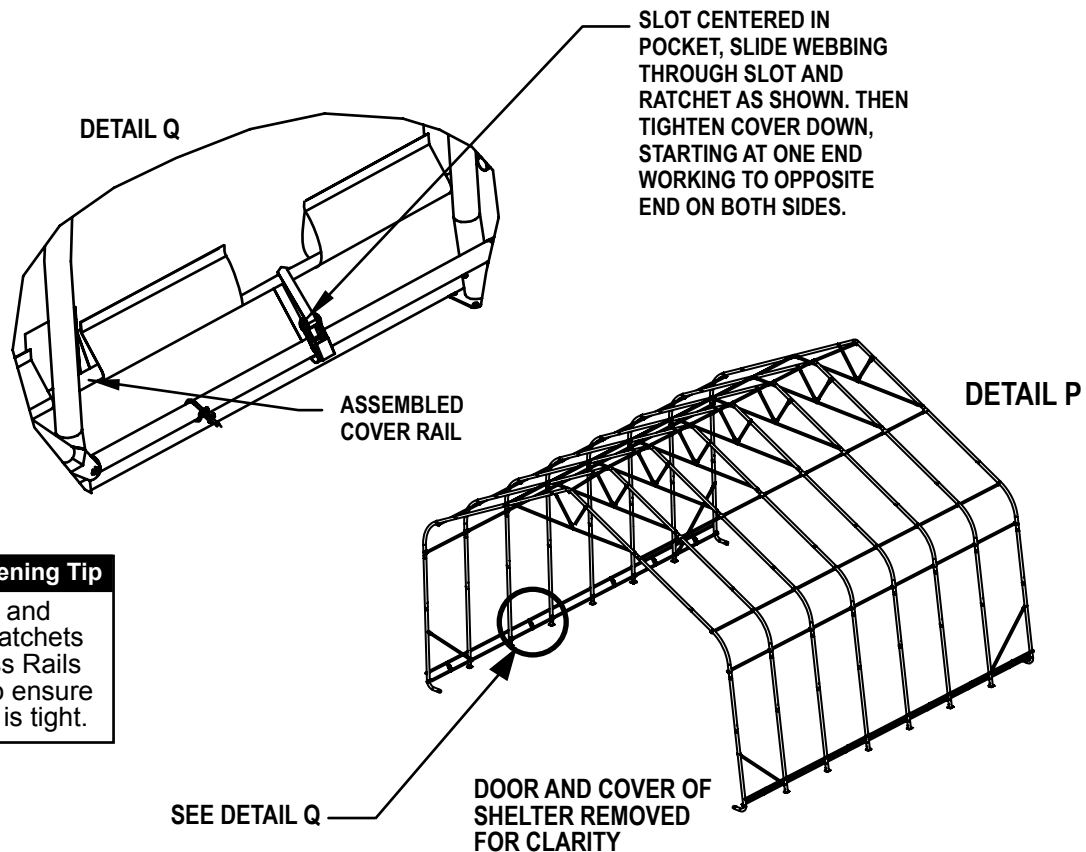
Webbing and Ratchets Securing Cover



DETAIL O

NOTE: CHECK THAT YOUR COVER IS CORRECTLY PLACED ON THE FRAME.

The ShelterLogic® logo should line up on the left front and right rear corners near the top rail. If the logo is not legible, the cover has not been put on the frame correctly.



WARNING: Serious injury to persons or property could result if cover is installed and shelter is not completed and is left unattended. Shelter must be securely anchored until completed.